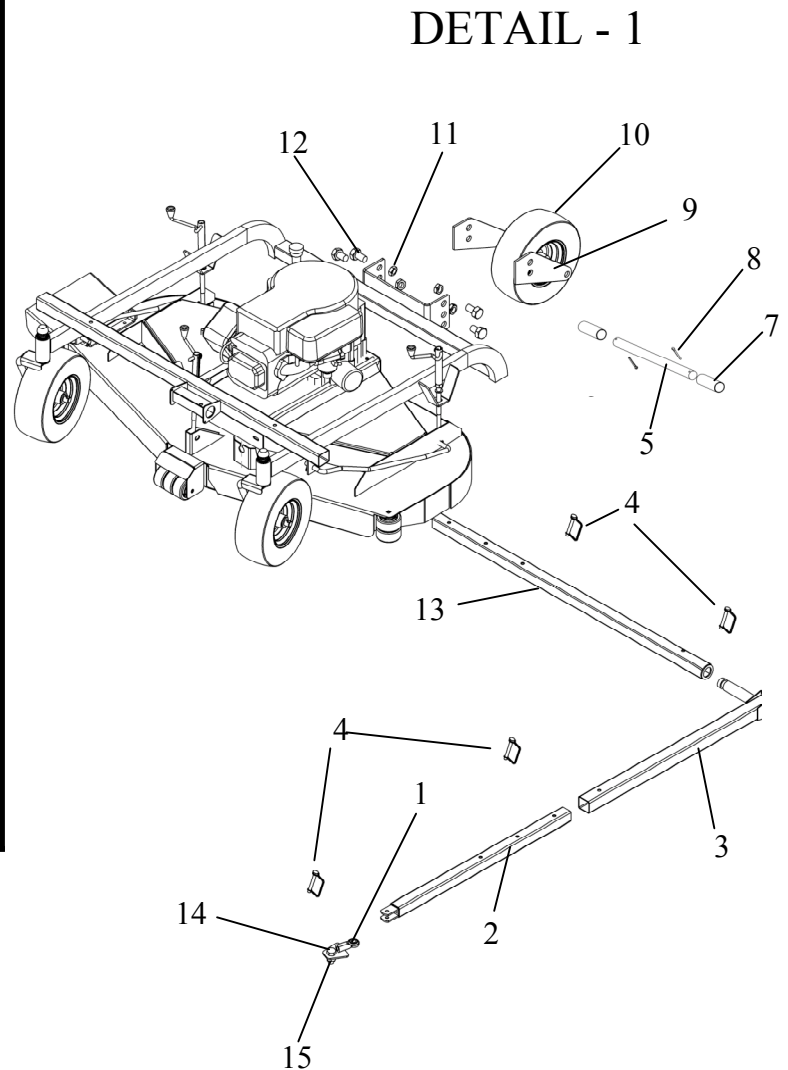


#5148-TOW KIT INTRUCTION SHEET

Item No.	Description	Part #
1	Swivel Hitch	H10TK
2	Tongue Hitch	661TK
3	Solid Stock Hitch	661ATK
4	Safety Hitch Pin	H11
5	Axle Pin	5150
7	Wheel Spacer	5151TK
8	Cotter Pin	NB126
9	Wheel Leg	5152TK
10	Wheel / Tire	5057
11	_ -10 Nyloc Nut	NB609
12	_ -10X1-1/2 Bolt	NB133
13	Extension hitch	662TK
14	5/8-11X1-1/2 Bolt	NB145Z
15	5/8-11Nyloc Nut	NB561



MOUNTING MOWER TO VEHICLE IN TOW POSITION ----

- Securely attach Tow Kit to mower [As shown in detail -1].
- Park vehicle at front of mower and shut OFF. Set parking brake if available.
- Casters should be able to rotate freely 360-degrees.
- Attach H10TK Swivel Hitch[1] to vehicle using bolt [14] and nut [15] provided in Tow Kit.
- Set desired offset with Extension Hitch [13] securely attach hitches [2-3-13]with Safety Hitch Pins [4].