

**Robin Industrial Engines®**

# **OEM PARTS MANUAL**

**Model**

**EC06D HUDSON**

1193M303



**ROBIN AMERICA, INC.**  
**ROBIN TO WISCONSIN ROBIN**  
**ENGINE MODEL CROSS REFERENCE LIST**

ROBIN

WISCONSIN ROBIN

SIDE VALVE

EY08	W1-080
EY15	W1-145
EY15V	W1-145V
EY20	W1-185
EY20V	W1-185V
EY23	W1-230
EY28	W1-280
EY35	W1-340
EY40	W1-390
EY45V	W1-450V
EY21	EY21W
EY44	EY44W
EY18-3	EY18-3W
EY25	EY25W
EY27	EY27W

OVERHEAD VALVE

EH11	W01-115
EH12	W01-120
EH15	W01-150
EH17	W01-170
EH21	W01-210
EH25	W01-250
EH30	W01-300
EH30V	W01-300V
EH34	W01-340
EH34V	W01-340V
EH43V	W01-430V

TWO CYCLE

EC13V	WT1-125V
-------	----------

DIESEL

DY23	WRD1-230
DY27	WRD1-270
DY30	WRD1-300
DY35	WRD1-350
DY41	WRD1-410

## Introduction

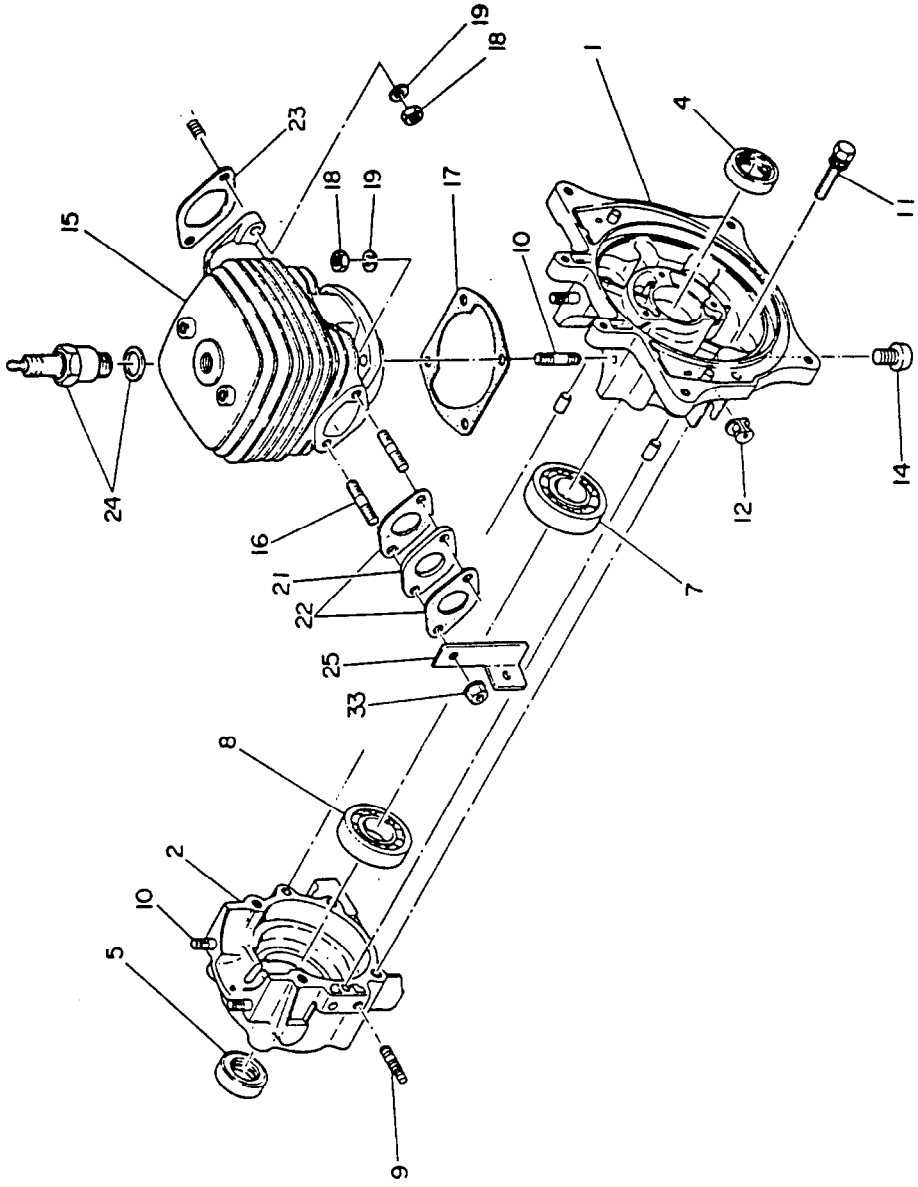
This catalog is designed to identify **Robin Engine** parts.

When ordering parts, it is always advisable to list the engine model, specification number and serial number. With this information, we can check your order for any incorrect part numbers. Use your Service Parts List to ensure proper part number and nomenclature identification.

**ROBIN AMERICA INC.** reserves the right to modify, alter and improve engines and parts. Part numbers and the structure of parts may change from those shown in this catalog.

## Table of Contents

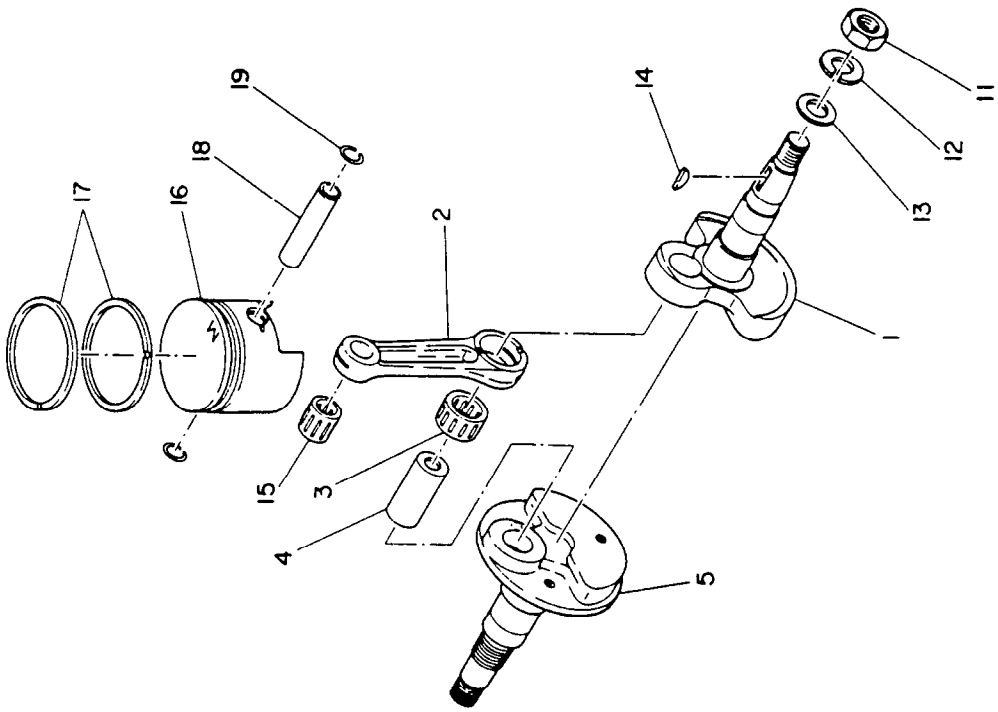
Crankcase and Cylinder .....	3
Crankshaft and Piston .....	5
Muffler and Fan Cover .....	7
Carburetor and Air Cleaner .....	9-11
Magneto.....	13
Recoil Starter .....	15
Parts to be Shipped Loose .....	17



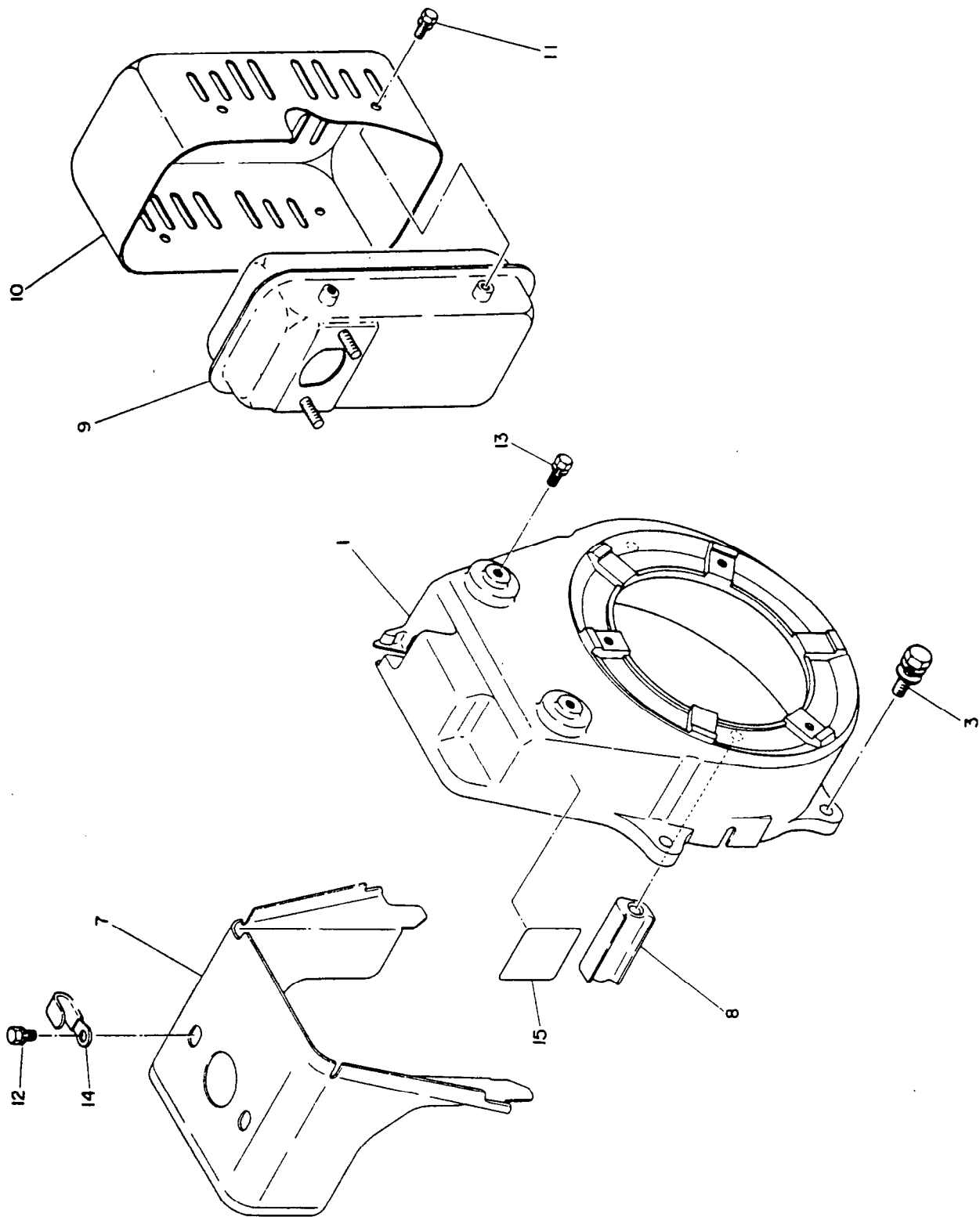
1. CRANKCASE and CYLINDER

↙Interchangeability

Ref. No.	Part Number	Part Name	Q'ty	Description	FOB JAPAN IN U.S. \$
• 1	EC06A-S0079	CRANKCASE COMPL.	1	Incl. 2,4~10	
4	044 01799 30	OIL SEAL	1	TC-17286	
5	044 02000 20	OIL SEAL	1	TC-20307	
7	060 02000 20	BALL BEARING	1	S-BB6204C3	
8	060 02000 10	BALL BEARING	1	S-BB6004C3	
9	010 50600 50	STUD	1		
10	010 50650 00	STUD	4		
11	001 14064 50	BOLT AND WASHER ASSY	4		
12	EC05A-7102	GROMMET	1		
14	004 31081 00	SCREW	4		
• 15	EC06A-0110	CYLINDER COMPL.	1	Incl.16	
16	010 50649 70	STUD	2		
17	EC08A-1111	GASKET (cylinder)	1		
18	002 18060 00	NUT	6		
19	003 20060 00	SPRING WASHER	6		
21	129 32901 03	INSULATOR	1		
21	EC05A-3101	INSULATOR	1		
22	106 35001 03	GASKET (insulator)	2		
22	EC05A-3102	GASKET (insuiator)	2		
23	EC05A-3110	GASKET (muffler)	1		
24	065 01499 50	SPARK PLUG	1	NGK-B7HS	
25	EC06A-4126	BRACKET	1		
33	002 37060 00	FLANGE NUT	2		

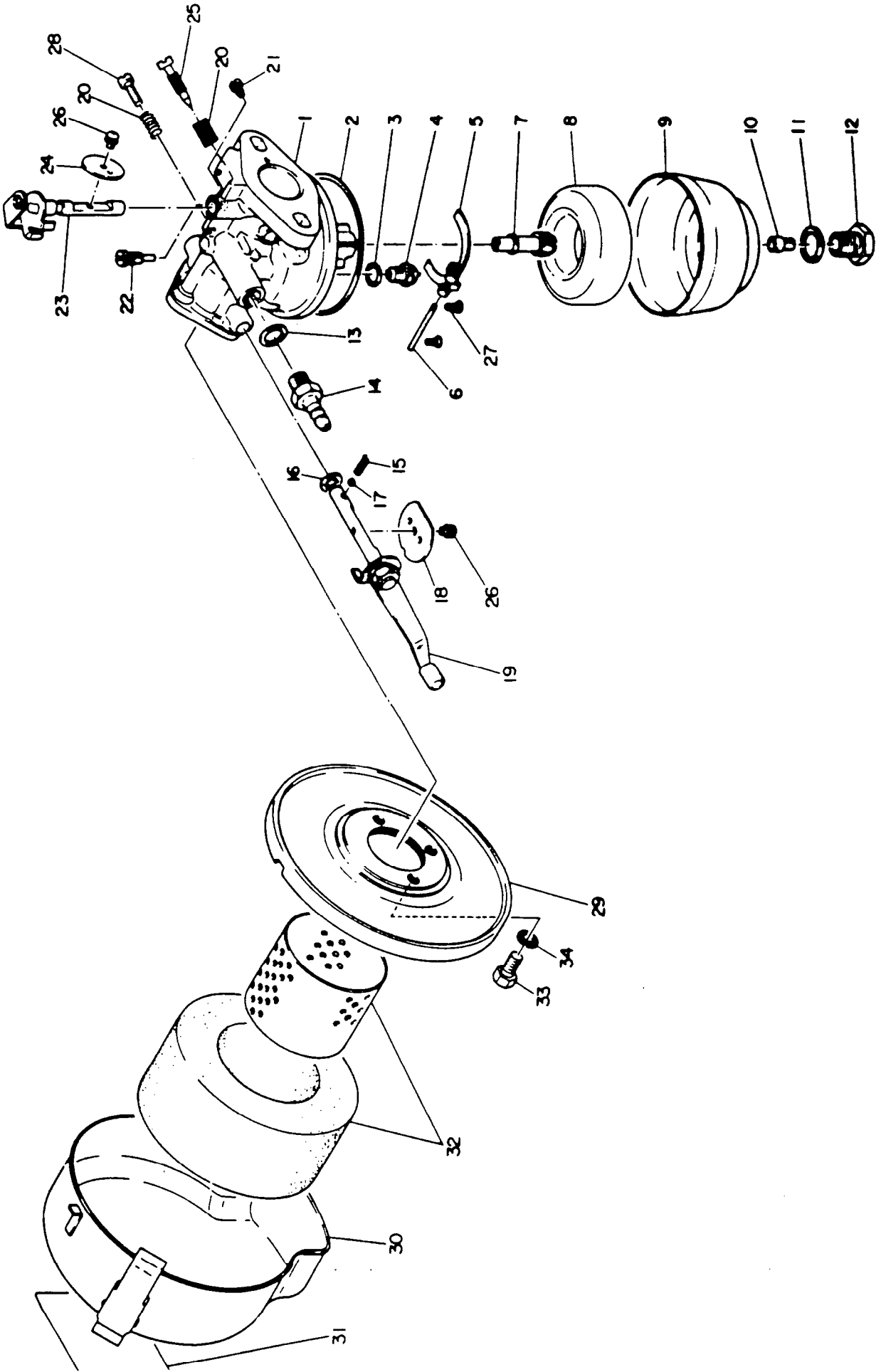








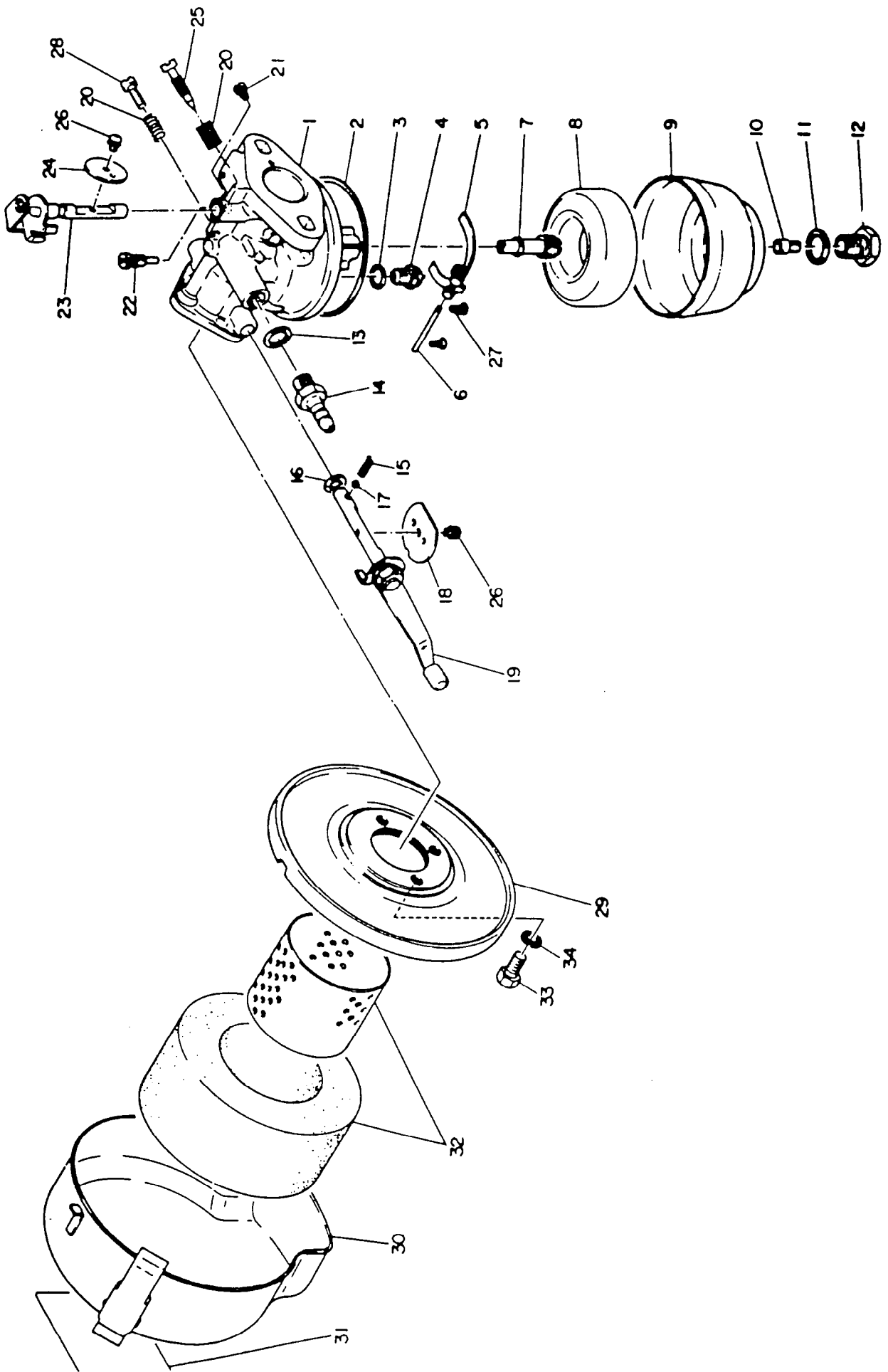




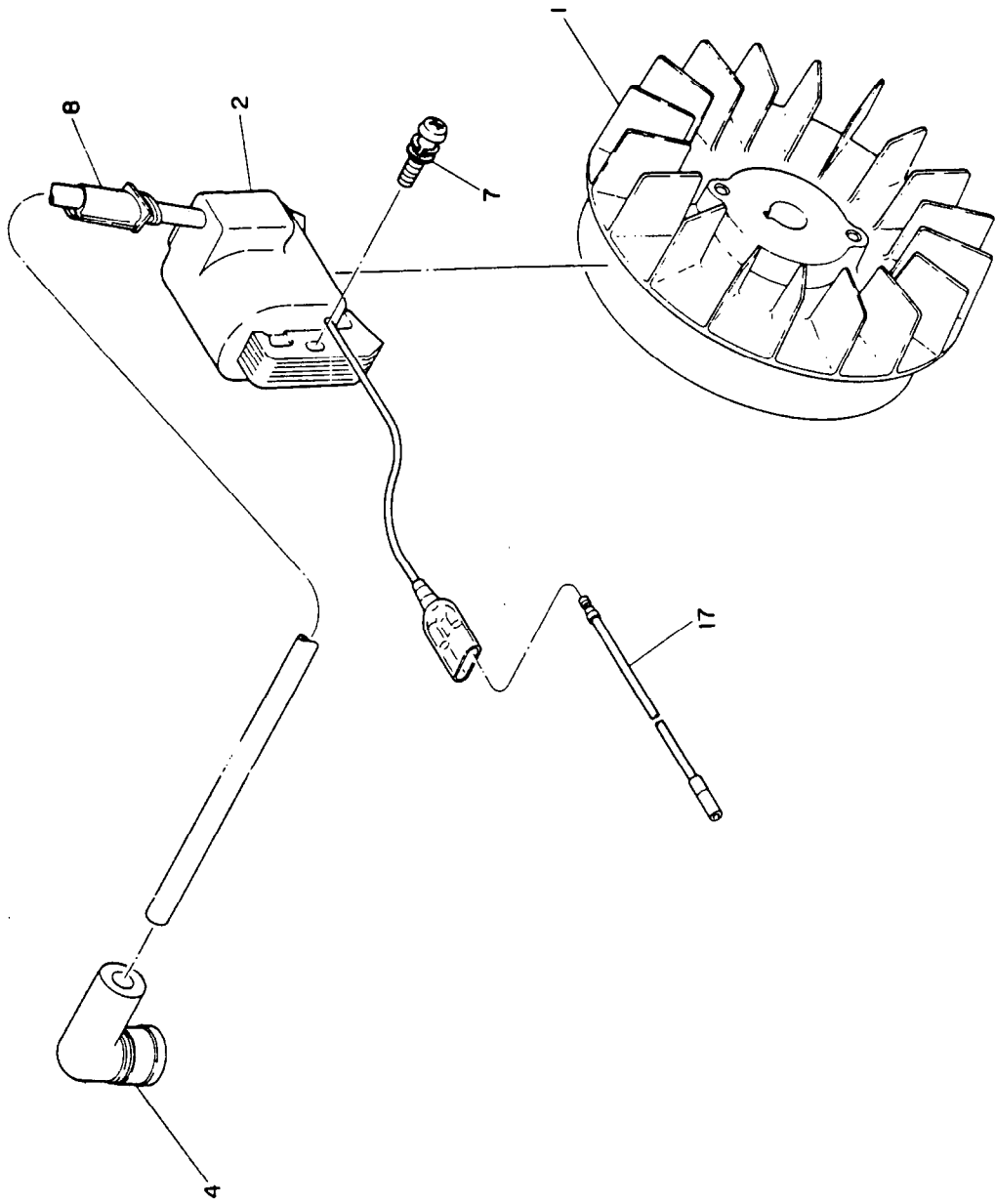
4. CARBURETOR and AIR CLEANER

↔Interchangeability

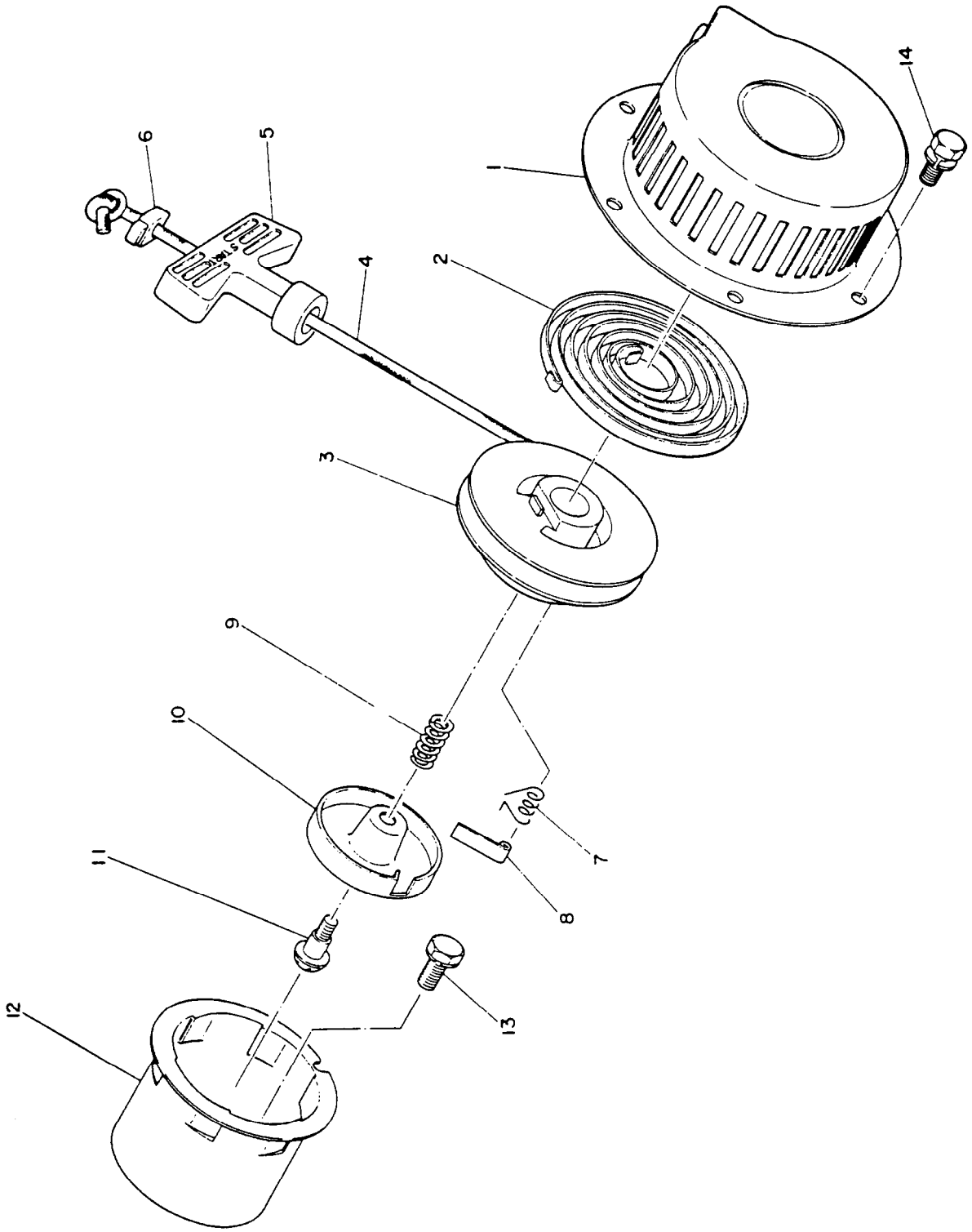
Ref. No.	Part Number	Part Name	Q'ty	Description	FOB JAPAN IN U.S. \$
• 1	EC06A-0336	CARBURETOR ASSY	1	Incl. 2~12, 15~28	
2	106 62547 08	PACKING	1		
3	106 62381 08	PACKING	1		
4	106 62503 08	NEEDLE VALVE	1	1.8φ	
5	106 62511 08	FLOAT ARM	1		
6	106 62516 08	PIN	1		
7	106 62442 08	NOZZLE	1	14φ	
8	106 62508 08	FLOAT	1		
9	106 62389 08	FLOAT CHAMBER BODY	1		
10	206 62400 08	REVERSE MAIN JET	1	#82.5	
11	206 62431 08	PACKING	1		
12	206 62350 08	GUIDE HOLDER	1		
13	207 62345 08	WASHER	1		
14	050 50800 30	UNION	1		
15	209 62446 08	CHOKE SPRING	1		
16	106 62392 08	SEAL	1		
17	209 62353 08	STEEL BALL	1		
18	106 62527 08	VALVE (choke)	1	#9.5	
19	106 62524 08	SHAFT ASSY (choke)	1		
20	206 62446 08	SPRING	2		
21	106 62357 08	GUIDE SCREW	1		
22	207 62420 08	PILOT JET	1	#40	
23	BV18/1227	SHAFT ASSY (throttle)	1		
24	106 62536 08	THROTTLE VALVE	1	#150	
25	106 62436 08	PILOT SCREW	1	1 1/4 return	





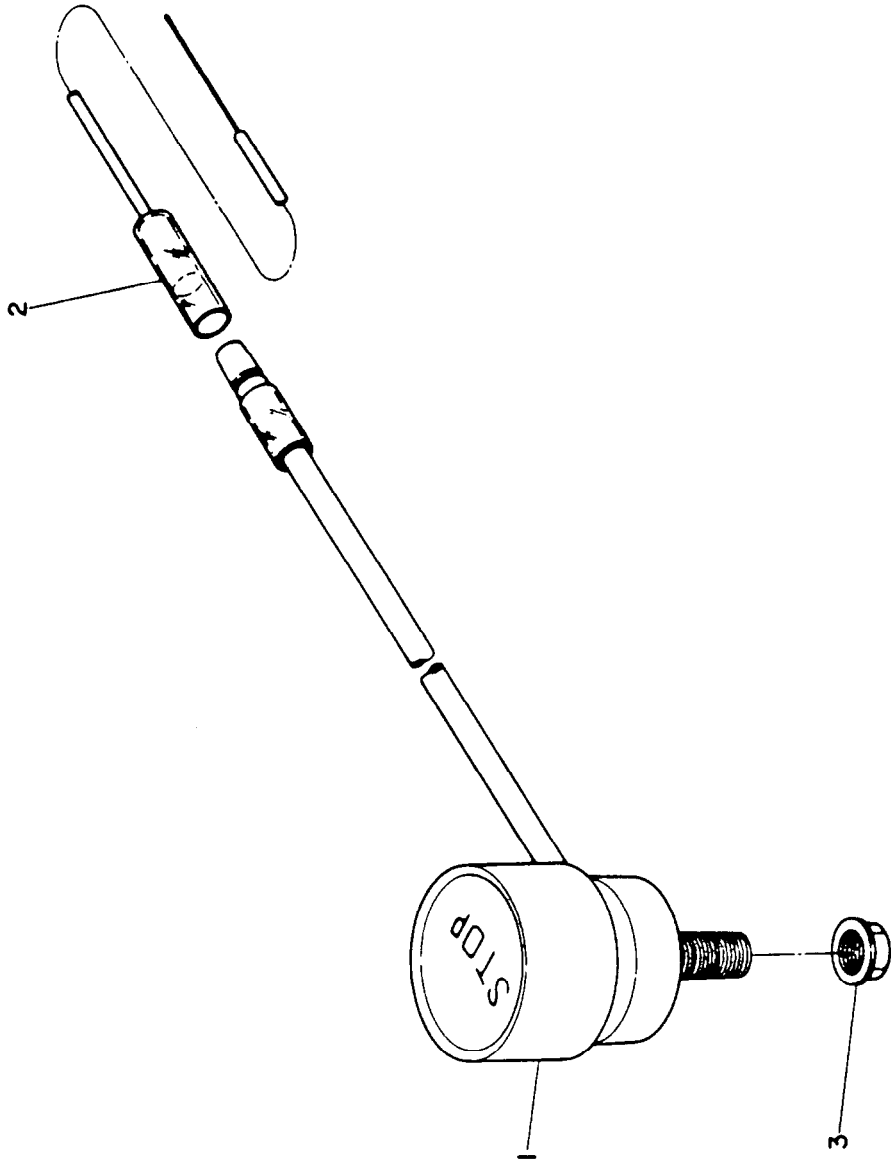














## NOTES

## NOTES

## NOTES

NOTES

NOTES



## NOTES

## NOTES





**Robin America, Inc.**

940 Lively Blvd., Wood Dale, IL 60191 • Tel: (708) 350-8200 • Fax: (708) 350-8212