

**Robin Industrial Engines®**

# **OEM PARTS MANUAL**

**Model**

**EC08D YAMAMOTO  
(Rammer)**

1193M305



**ROBIN AMERICA, INC.**  
**ROBIN TO WISCONSIN ROBIN**  
**ENGINE MODEL CROSS REFERENCE LIST**

ROBIN

WISCONSIN ROBIN

SIDE VALVE

EY08	W1-080
EY15	W1-145
EY15V	W1-145V
EY20	W1-185
EY20V	W1-185V
EY23	W1-230
EY28	W1-280
EY35	W1-340
EY40	W1-390
EY45V	W1-450V
EY21	EY21W
EY44	EY44W
EY18-3	EY18-3W
EY25	EY25W
EY27	EY27W

OVERHEAD VALVE

EH11	W01-115
EH12	W01-120
EH15	W01-150
EH17	W01-170
EH21	W01-210
EH25	W01-250
EH30	W01-300
EH30V	W01-300V
EH34	W01-340
EH34V	W01-340V
EH43V	W01-430V

TWO CYCLE

EC13V	WT1-125V
-------	----------

DIESEL

DY23	WRD1-230
DY27	WRD1-270
DY30	WRD1-300
DY35	WRD1-350
DY41	WRD1-410

# Engine Model EC08D for YAMAMOTO

(RAMMER)

## Introduction

This catalog is designed to identify **Robin Engine** parts.

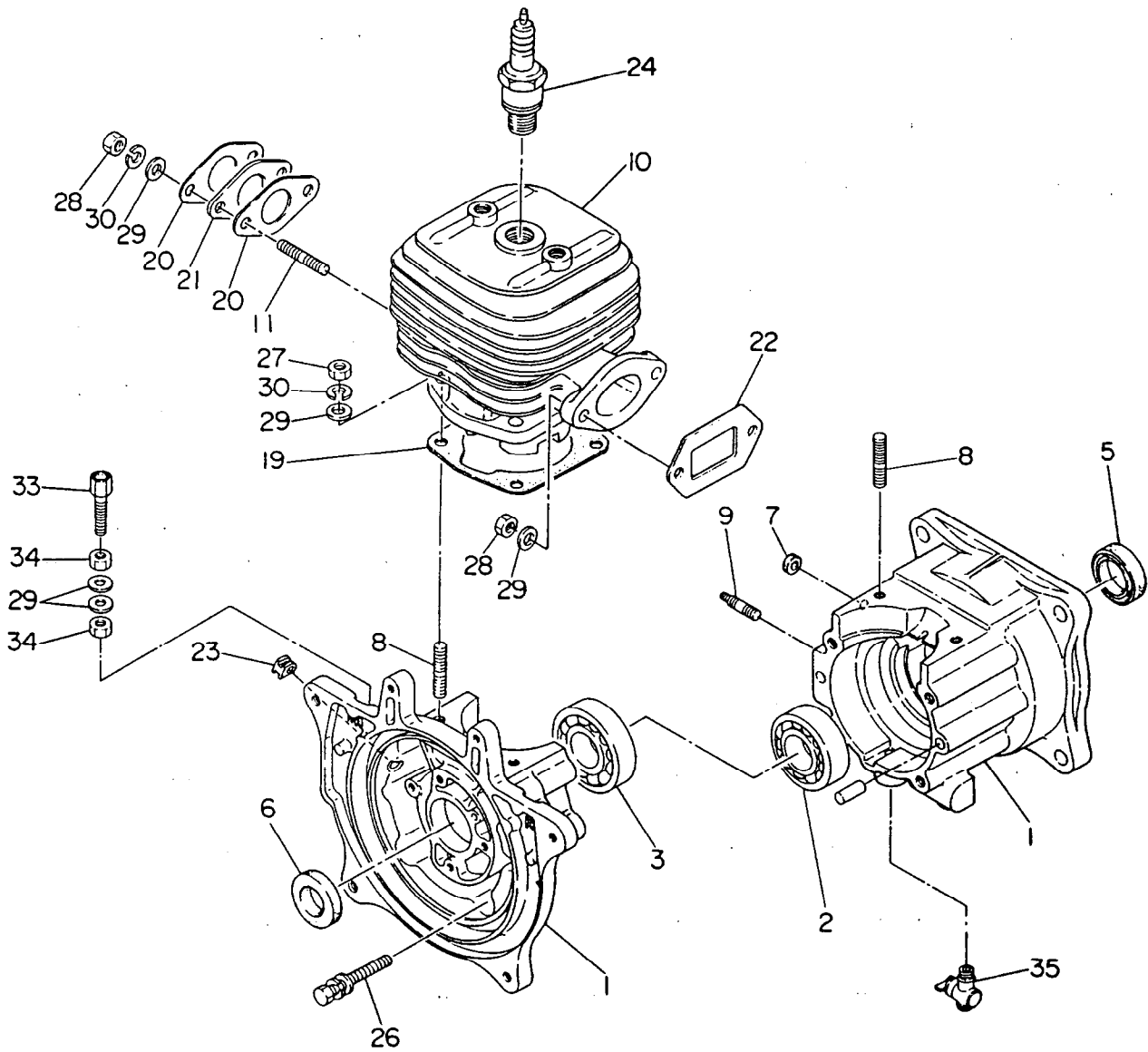
When ordering parts, it is always advisable to list the engine model, specification number and serial number. With this information, we can check your order for any incorrect part numbers. Use your Service Parts List to ensure proper part number and nomenclature identification.

**ROBIN AMERICA INC.** reserves the right to modify, alter and improve engines and parts. Part numbers and the structure of parts may change from those shown in this catalog.

## Table of Contents

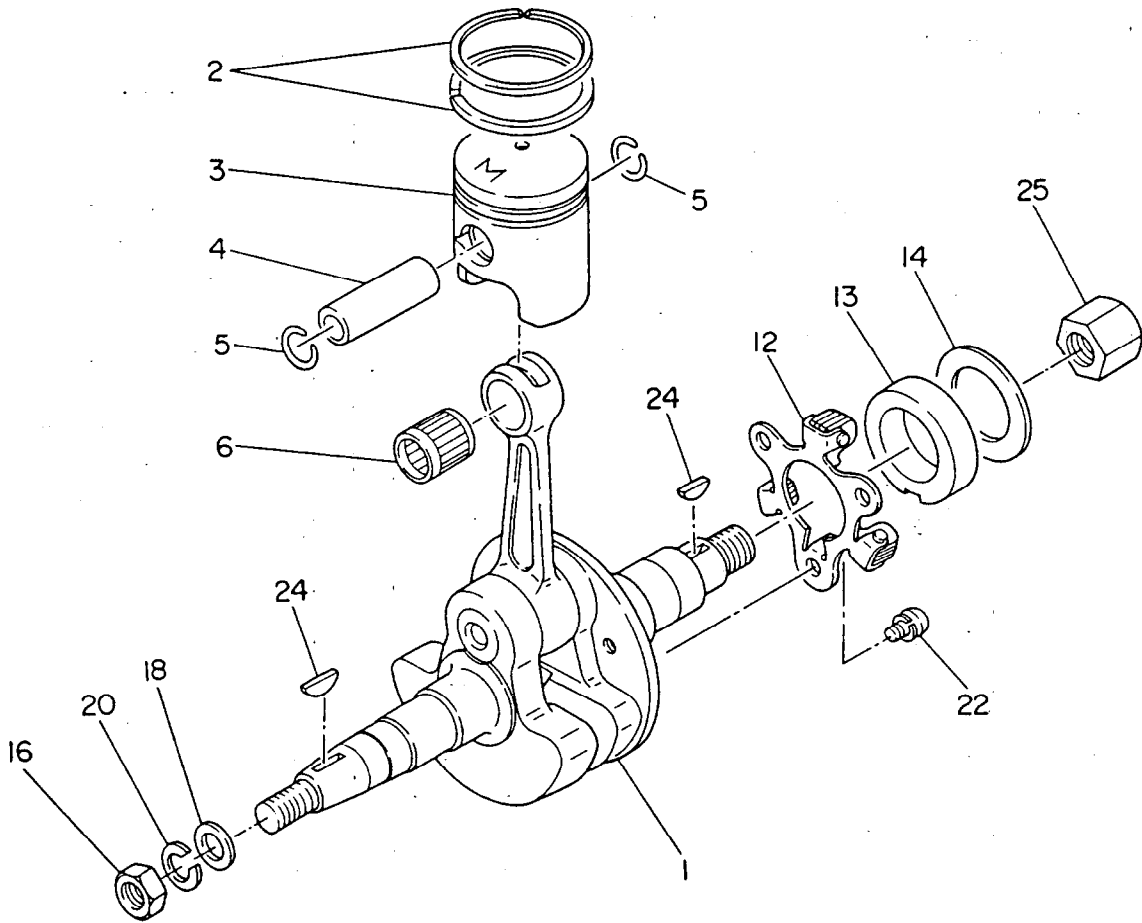
Crankcase and Cylinder.....	1
Crankshaft and Piston .....	2
Governor.....	3
Blower Housing and Muffler .....	4
Carburetor and Air Cleaner.....	5
Magneto.....	6
Recoil Starter .....	7
Accessories .....	8
Parts to be Shipped Loose .....	9

# I. CRANKCASE AND CYLINDER



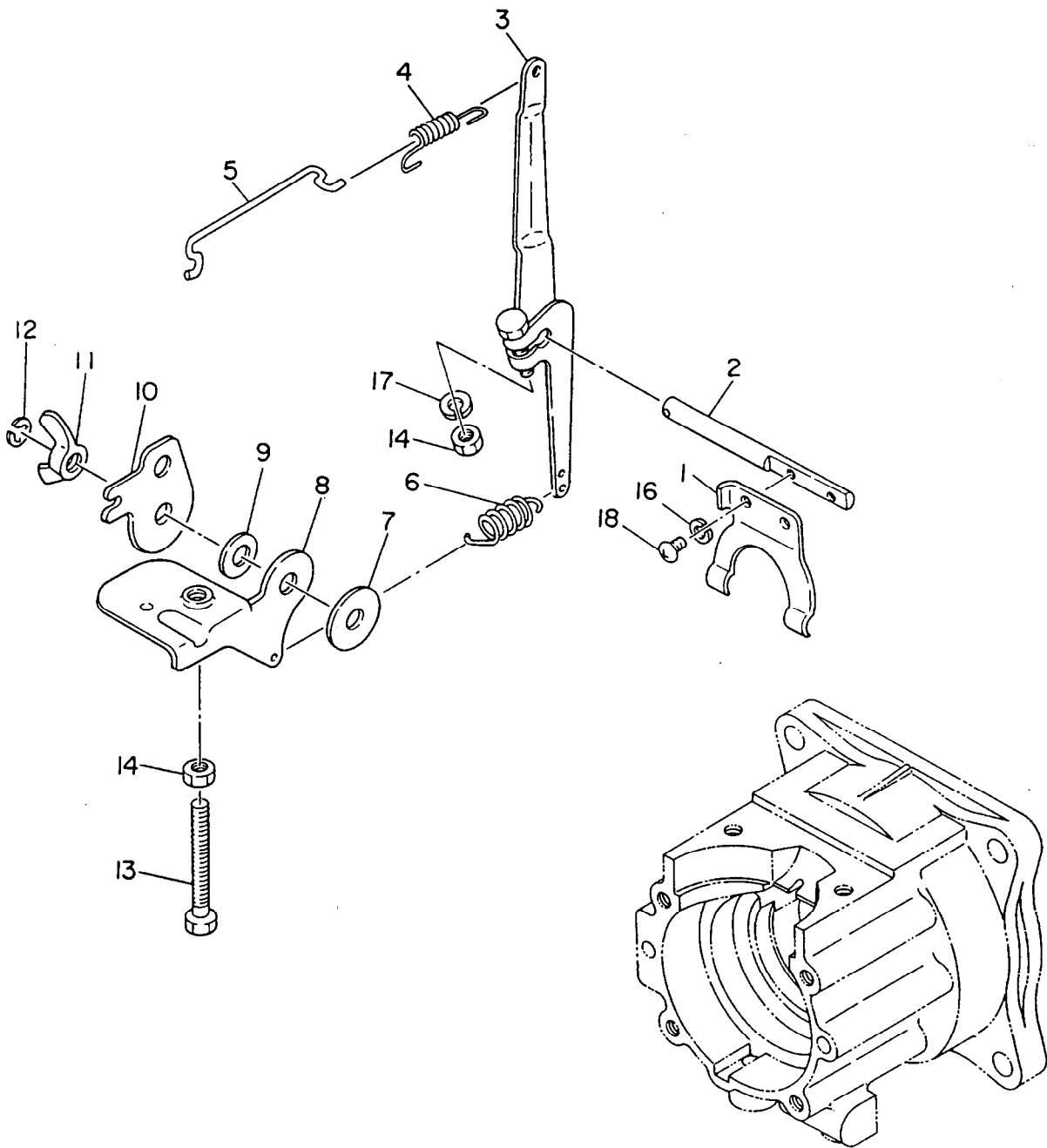


## 2. CRANKSHAFT AND PISTON





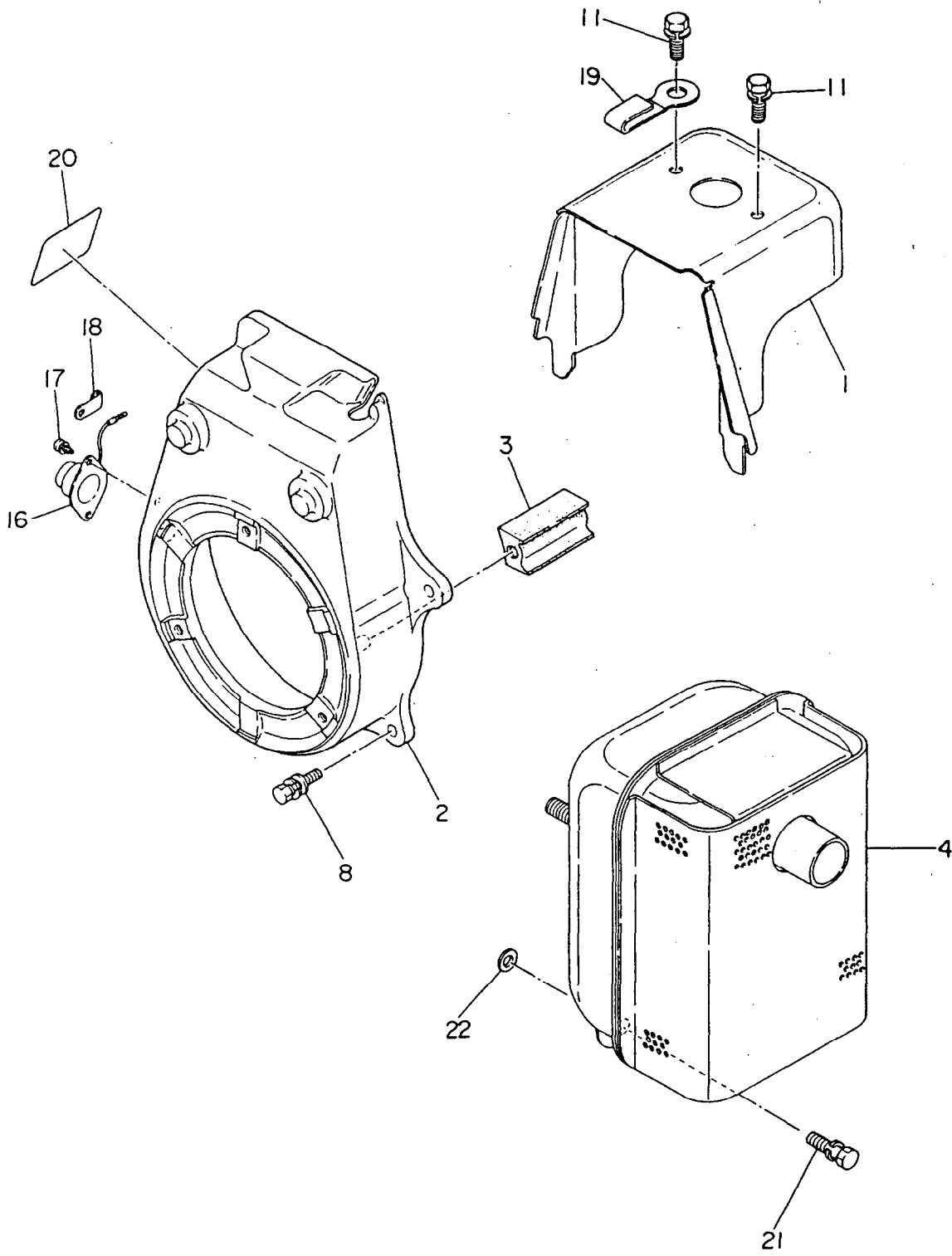
### 3. GOVERNOR





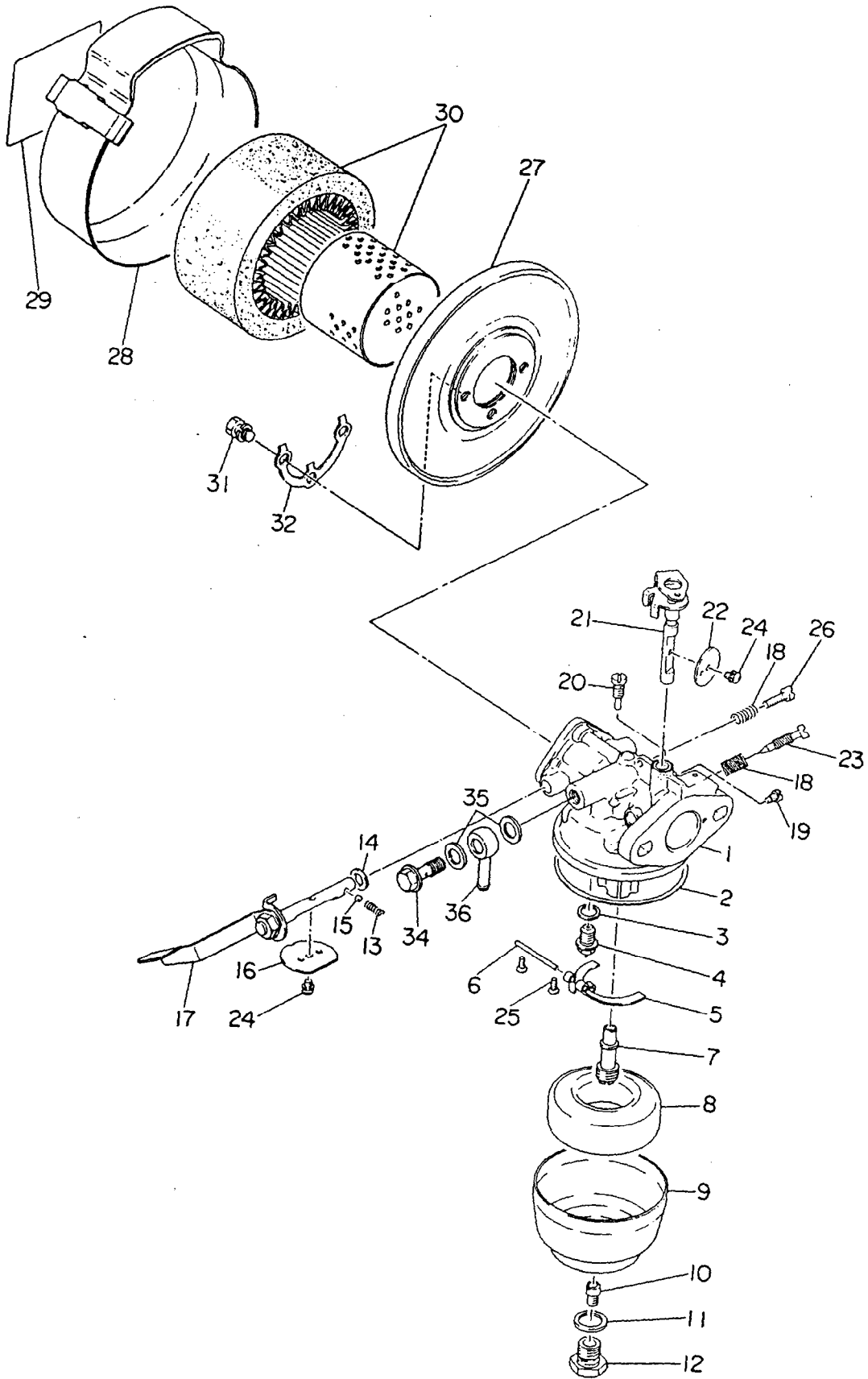


# 4. BLOWER HOUSING AND MUFFLER



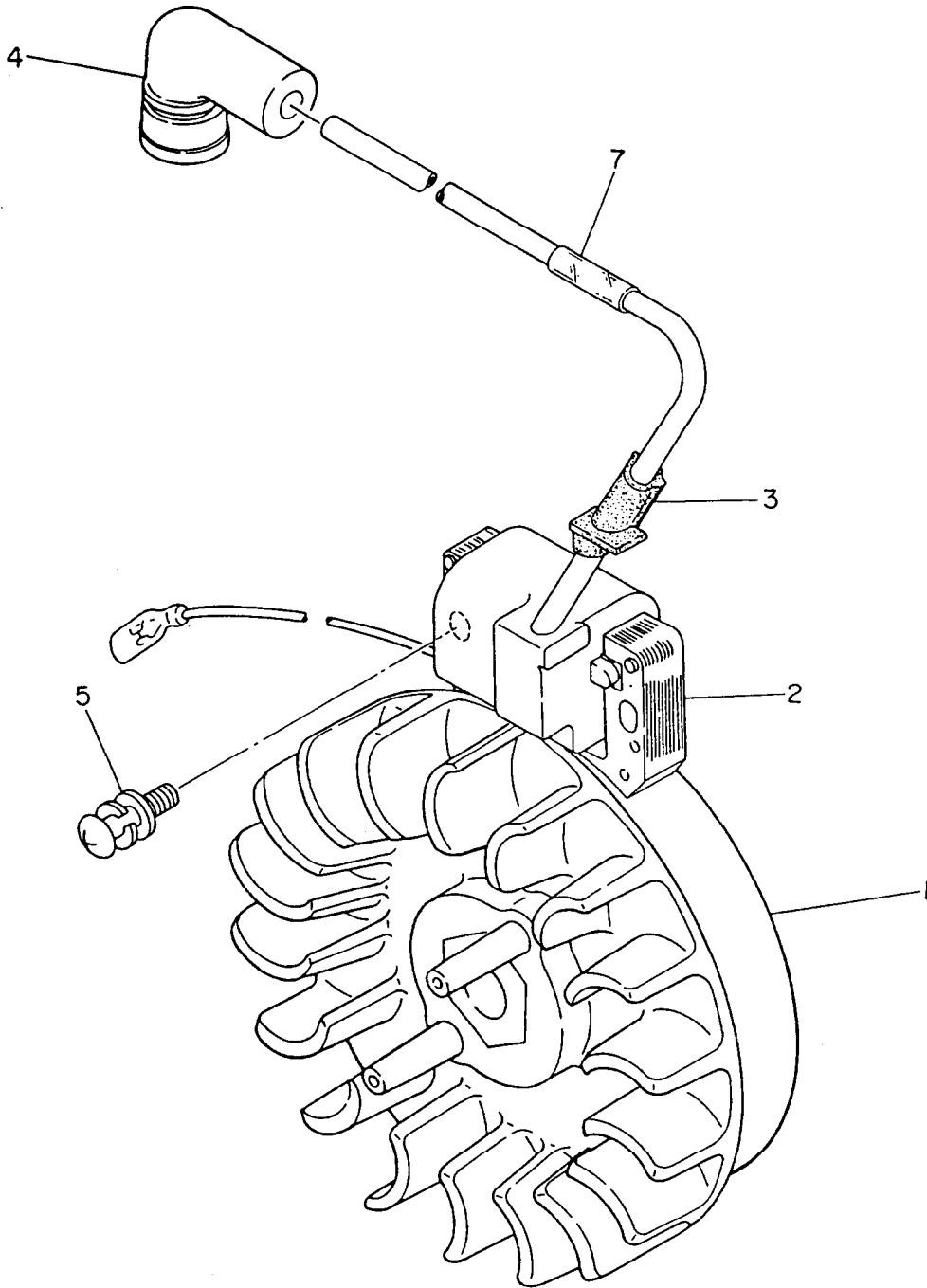


# 5. CARBURETOR AND AIR CLEANER



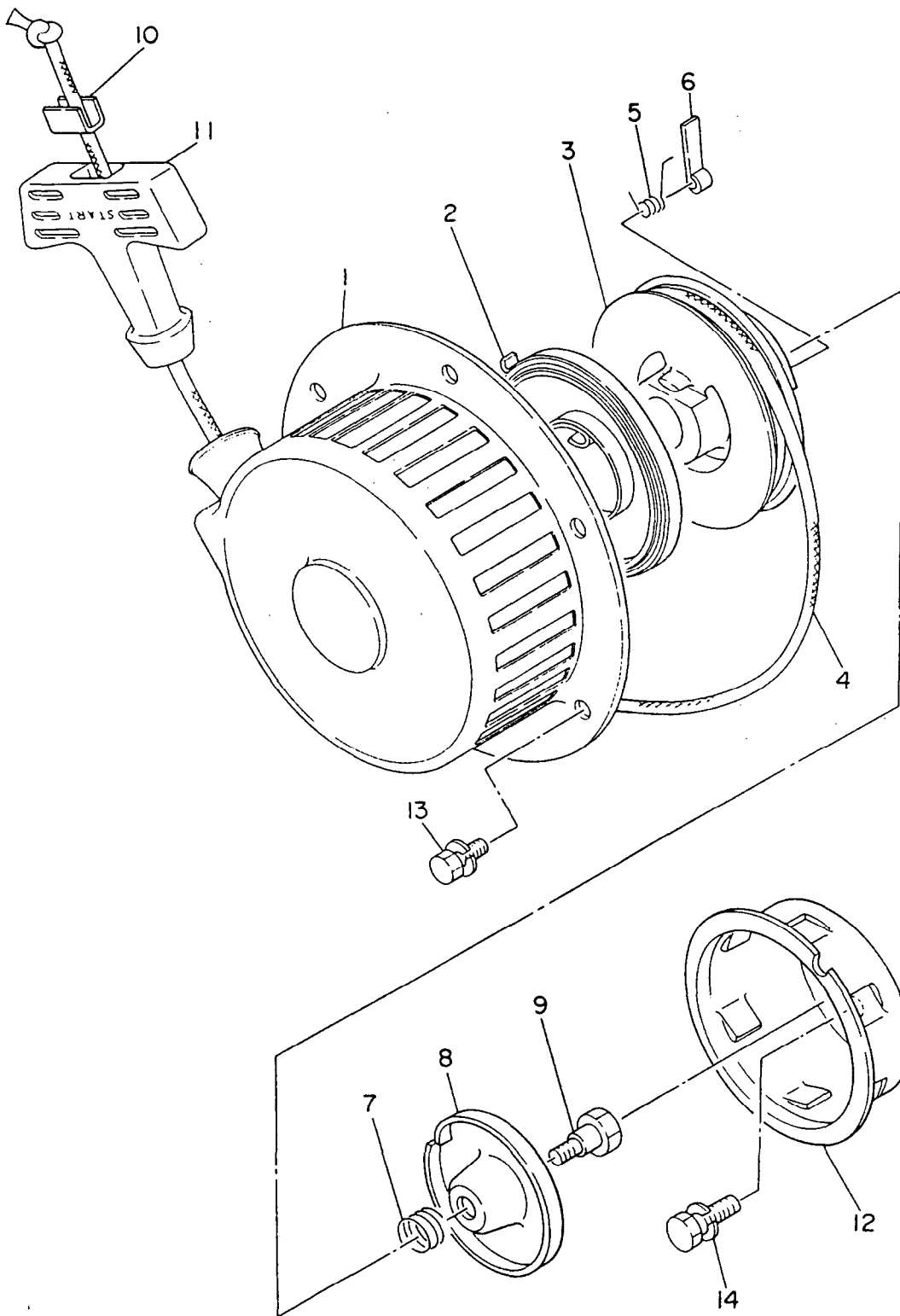


6. MAGNETO





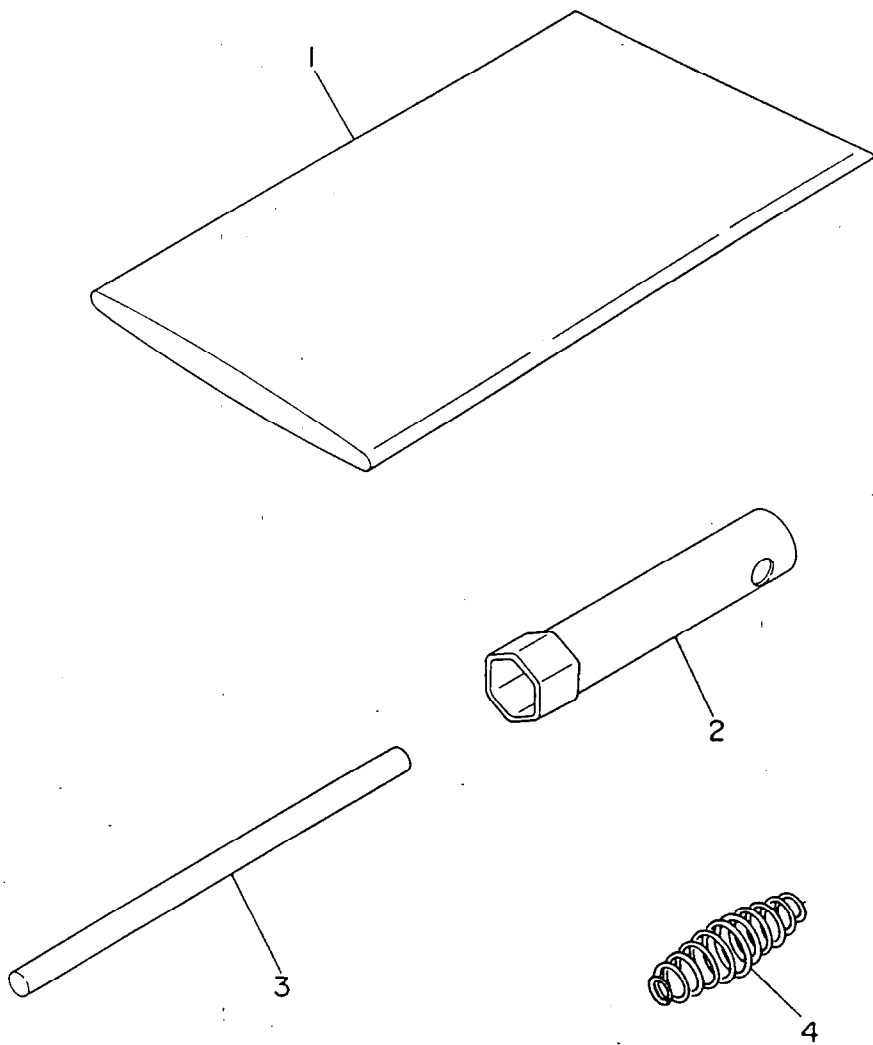
7. RECOIL STARTER





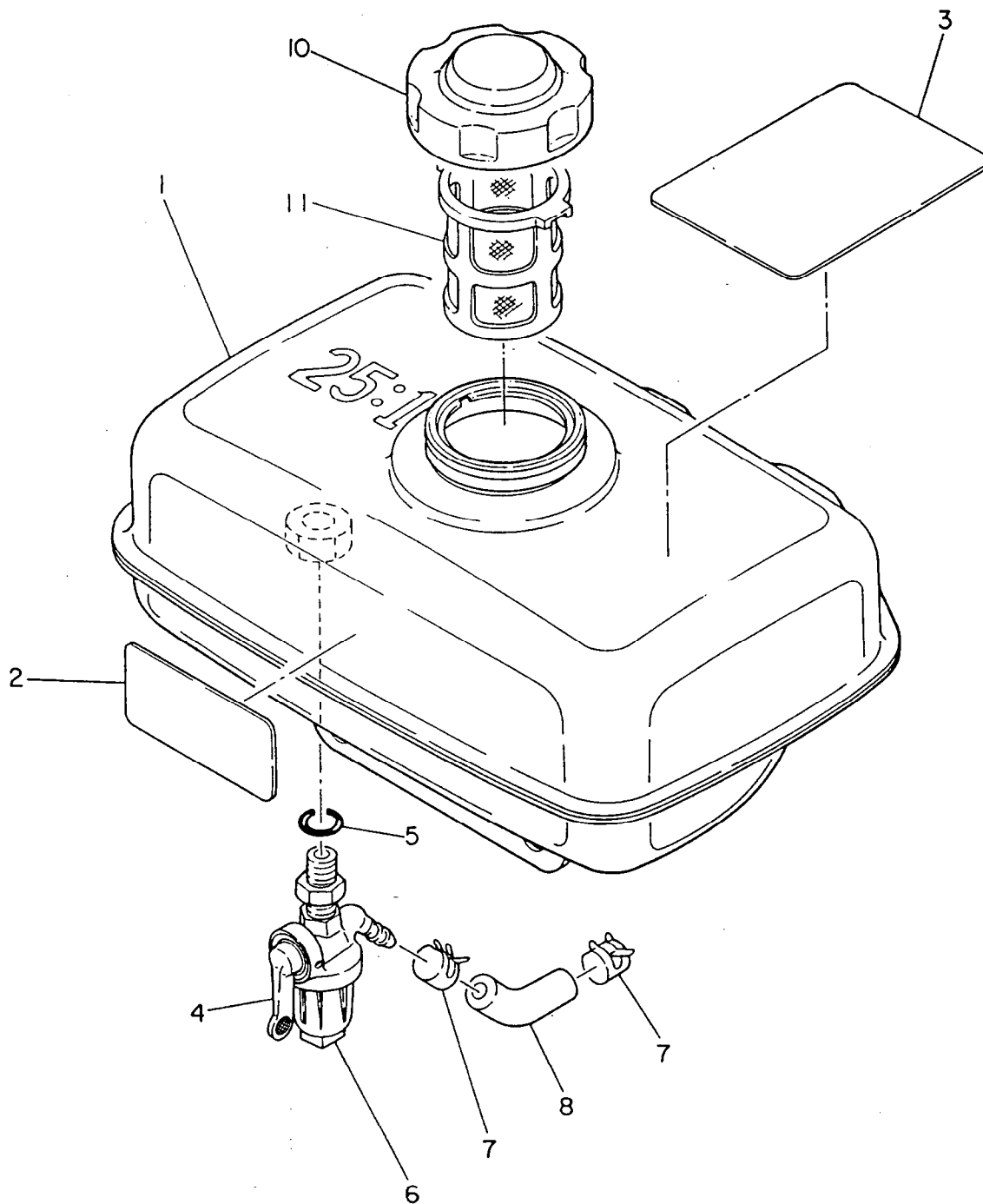


8. ACCESSORIES





9. PARTS TO BE SHIPPED LOOSE





## NOTES

## NOTES

## NOTES



## NOTES

## NOTES





**Robin America, Inc.**

940 Lively Blvd., Wood Dale, IL 60191 • Tel: (708) 350-8200 • Fax: (708) 350-8212