

Robin Industrial Engines®

OEM PARTS MANUAL

Model

EC10D MEIWA

(Spec: EC100DD1810)

1193M313



ROBIN AMERICA, INC.
ROBIN TO WISCONSIN ROBIN
ENGINE MODEL CROSS REFERENCE LIST

ROBIN

WISCONSIN ROBIN

SIDE VALVE

EY08	W1-080
EY15	W1-145
EY15V	W1-145V
EY20	W1-185
EY20V	W1-185V
EY23	W1-230
EY28	W1-280
EY35	W1-340
EY40	W1-390
EY45V	W1-450V
EY21	EY21W
EY44	EY44W
EY18-3	EY18-3W
EY25	EY25W
EY27	EY27W

OVERHEAD VALVE

EH11	W01-115
EH12	W01-120
EH15	W01-150
EH17	W01-170
EH21	W01-210
EH25	W01-250
EH30	W01-300
EH30V	W01-300V
EH34	W01-340
EH34V	W01-340V
EH43V	W01-430V

TWO CYCLE

EC13V	WT1-125V
-------	----------

DIESEL

DY23	WRD1-230
DY27	WRD1-270
DY30	WRD1-300
DY35	WRD1-350
DY41	WRD1-410

Introduction

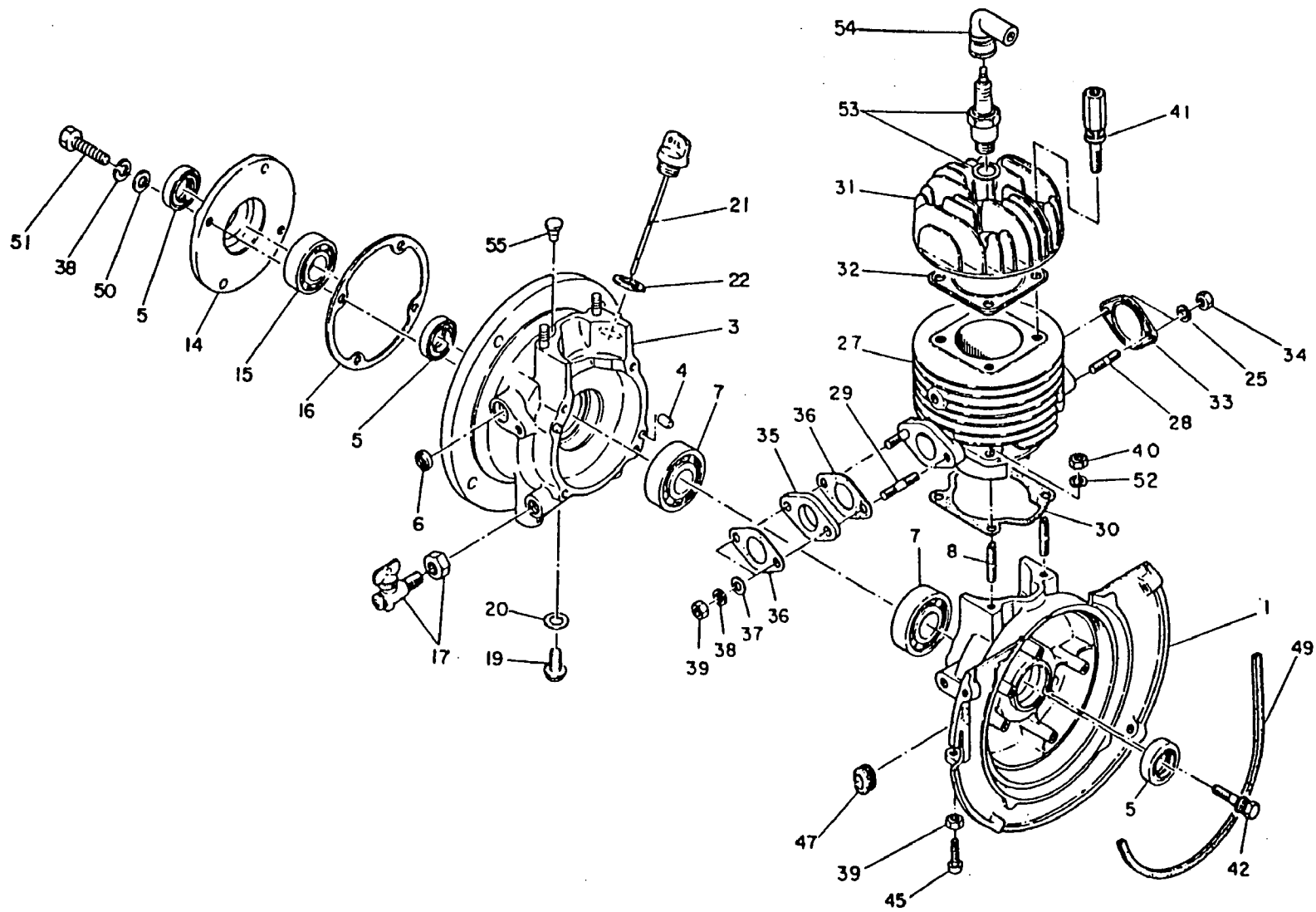
This catalog is designed to identify **Robin Engine** parts.

When ordering parts, it is always advisable to list the engine model, specification number and serial number. With this information, we can check your order for any incorrect part numbers. Use your Service Parts List to ensure proper part number and nomenclature identification.

ROBIN AMERICA INC. reserves the right to modify, alter and improve engines and parts. Part numbers and the structure of parts may change from those shown in this catalog.

Table of Contents

Crankcase and Cylinder	1
Crankshaft and Piston	2
Governor.....	3
Blower Housing and Muffler.....	4
Fuel Tank	5
Carburetor and Air Cleaner.....	6
Magneto.....	7
Recoil Starter.....	8
Accessories	9



1. CRANKCASE & CYLINDER

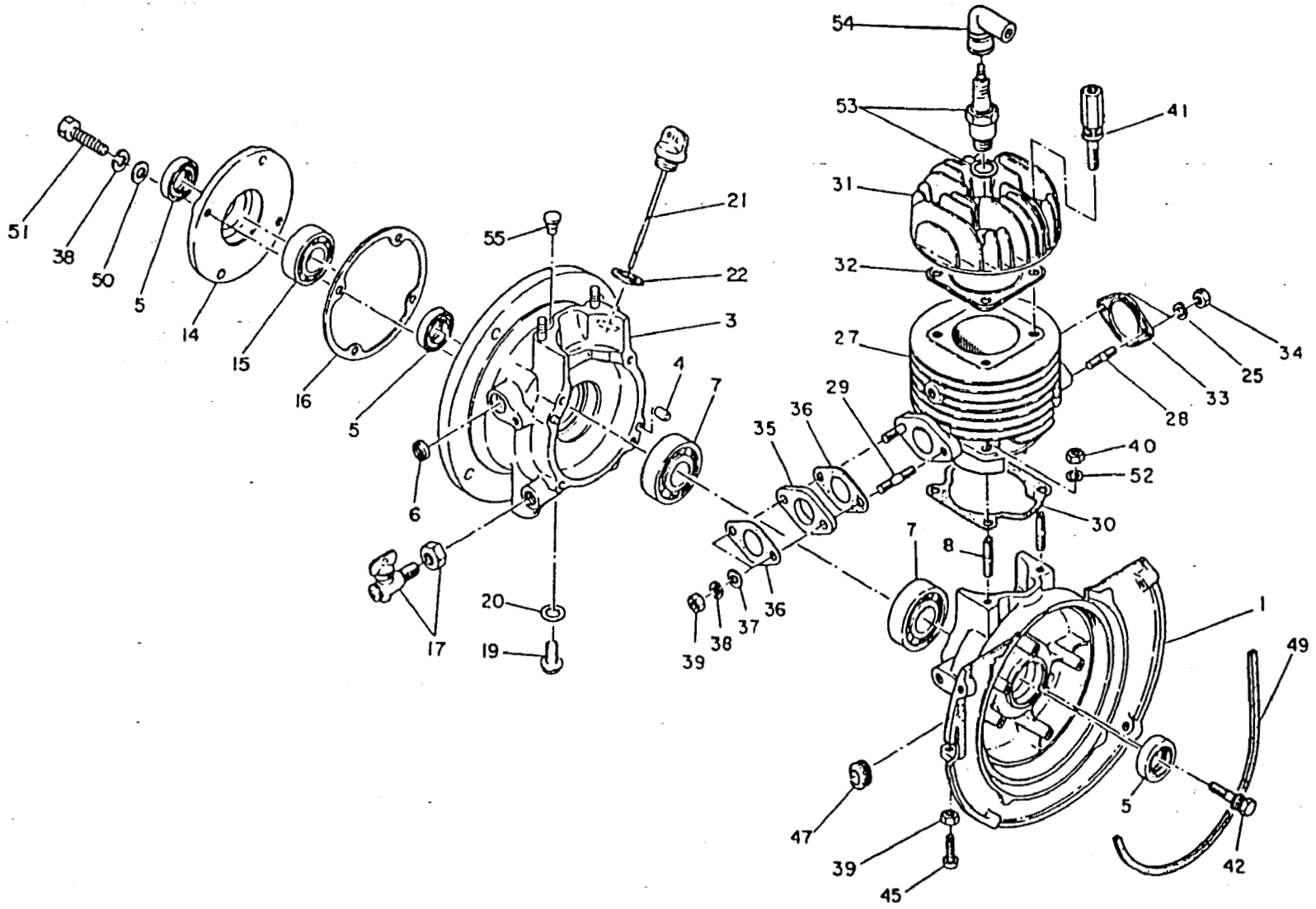
EC10D(ME1WA:RT-15,RT-10) JUN' 82 I.

Flange Mount type for
EC10D (MEIWA SEISAKUSHO LTD.)

1. CRANKCASE & CYLINDER

Ref. to Fig. EC10D (MEIWA:RT-75, RT-70) JUN'82 1.

Ref. No.	Part Name	Part Number	EC10D		Q'ty	Q'ty	Q'ty	Remarks	Price
			Q'ty						
* 1	CRANKCASE COMPL.	106 10801 11	1	X				Incl.3~8,42	
* 1	CRANKCASE COMPL.	106 10801 01	1						Incl.3~8,42
* 1	CRANKCASE 1 COMPL.	106 10101 17	1	X				Incl.5,7,8	
* 1	CRANKCASE 1 COMPL.	106 10101 07	1						Incl.5,7,8
* 3	CRANKCASE 2 COMPL.	106 10801 17	1	X				Incl.4,5,7,8	
* 3	CRANKCASE 2 COMPL.	106 10801 07	1						Incl.4,5,7,8
4	DOWEL PIN	031 00600 10	2						
5	OIL SEAL	044 02000 10	3					TB20328	
6	OIL SEAL	044 00800 10	1					VC8144	
7	BALL BEARING	060 02000 20	2						
8	STUD	010 50700 10	4	X					
8	STUD	010 50600 90	4						
* 14	CRANKCASE COVER COMPL.	106 12201 01	1					Incl.5,15	
15	BALL BEARING	060 02000 10	1						
16	GASKET (case cover)	106 15005 03	1						
17	DRAIN COCK	064 30001 00	1						
19	PLUG	040 10800 10	1						
20	GASKET	021 00800 10	1						
21	OIL LEVEL GAUGE COMPL.	106 63601 01	1						
22	GASKET	021 01600 10	1						
25	SPRING WASHER	003 20080 00	2						
* 27	CYLINDER COMPL.	106 12405 11	1	X				Incl.28,29	
* 27	CYLINDER COMPL.	106 12405 01	1						Incl.28,29
28	STUD	001 31083 01	2						
29	STUD	001 31063 01	2						

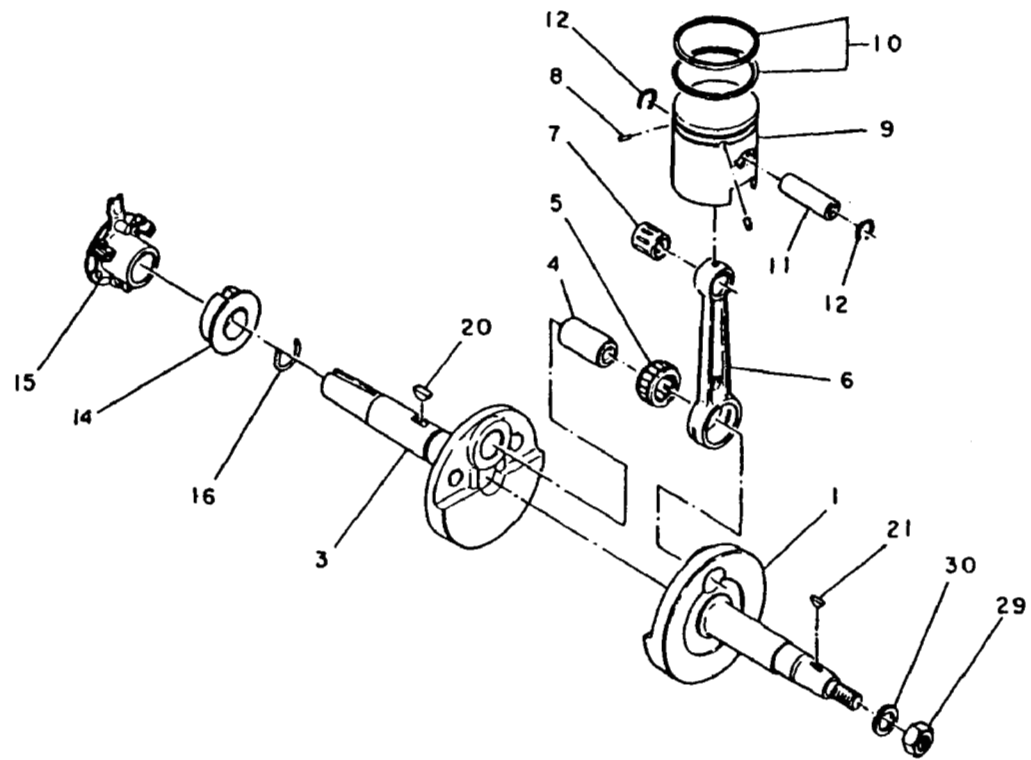


1. CRANKCASE & CYLINDER

1. CRANKCASE & CYLINDER

Ref. to Fig. EC10D (MEIWA;RT-75, RT-70) JUN'82 1.

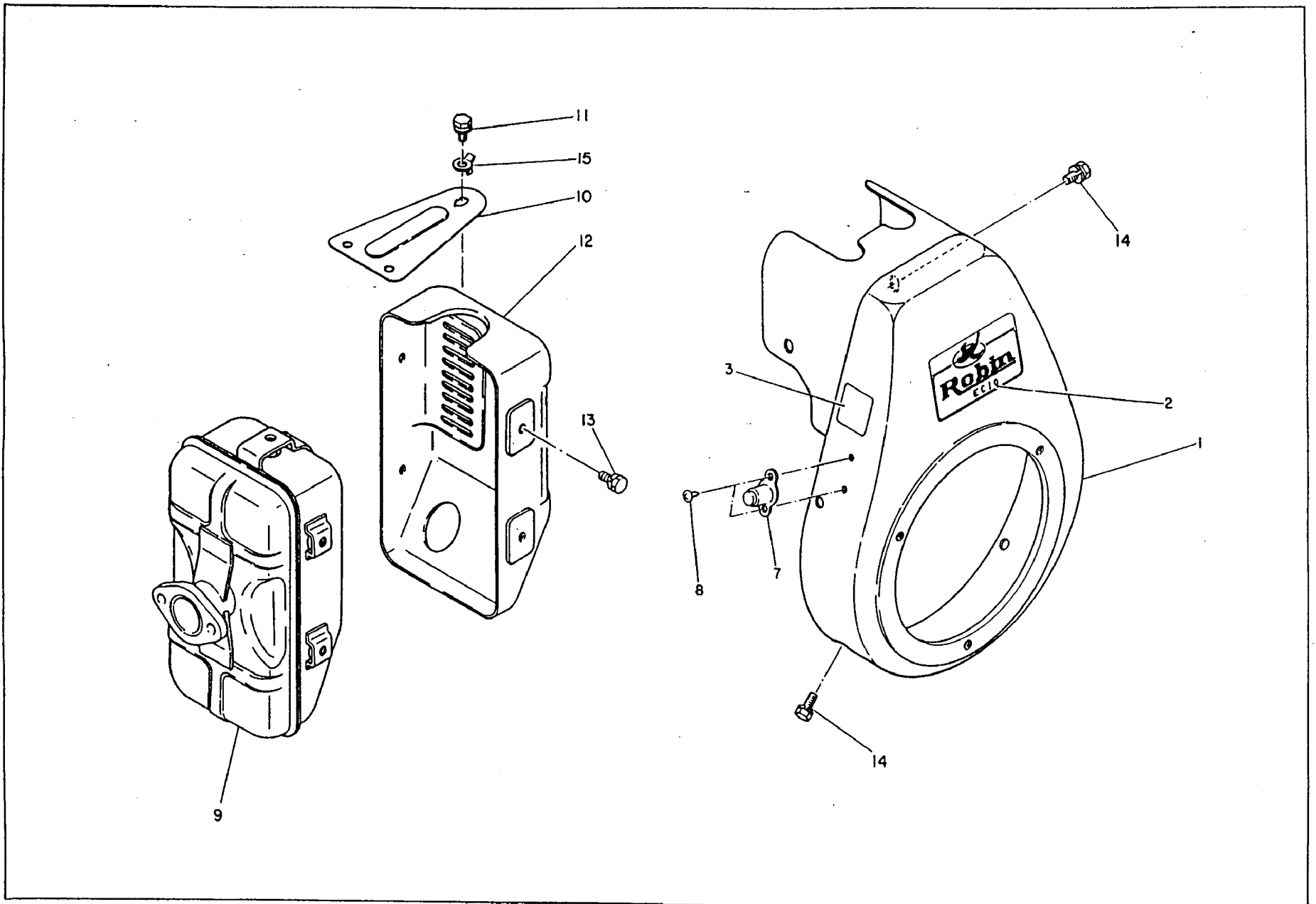
Ref. No.	Part Name	Part Number	EC10D		Q'ty	Q'ty	Q'ty	Remarks	Price
			Q'ty						
30	GASKET (cylinder)	106 15001 23	1						
31	CYLINDER HEAD	106 13001 13	1						
32	GASKET COMPL. (head)	106 15101 11	1						
33	GASKET COMPL. (exhaust)	106 35102 01	1						
34	NUT	002 19080 00	2						
35	INSULATOR	106 32902 03	1						
36	GASKET (insulator)	106 35001 03	2						
37	WASHER	003 10060 00	2						
38	SPRING WASHER	003 20060 00	6						
39	NUT	002 27060 00	3						
40	NUT	017 00700 20	4	} X ←					
40	NUT	002 18060 00	4						
41	BOLT AND WASHER ASSY.	013 00800 70	4						
42	BOLT AND WASHER ASSY.	001 14063 50	4						
45	ADJUSTING SCREW	014 90600 40	1						
47	GROMMET	024 10700 90	1						
49	DUST FELT	106 75001 13	1						
50	WASHER	003 11060 00	4						
51	BOLT	001 66062 00	4						
52	SPRING WASHER	020 30700 10	4	} X ←					
52	SPRING WASHER	003 21060 00	4						
53	SPARK PLUG	065 01400 10	1				NGK B-4		
54	SPARK PLUG CAP	065 50000 50	1						
55	AIR BREATHER	067 00701 00	1						



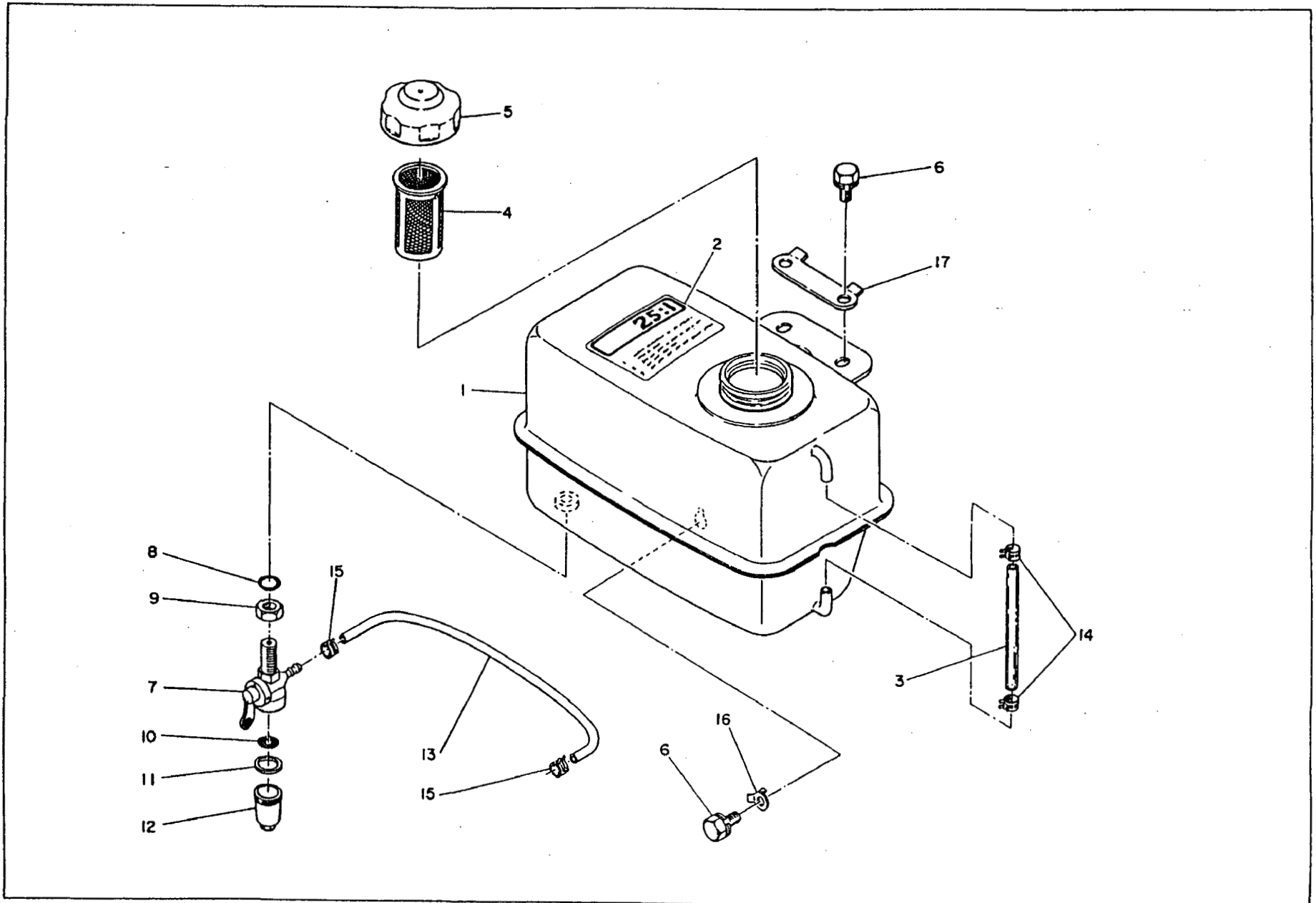
2. CRANKSHAFT & PISTON



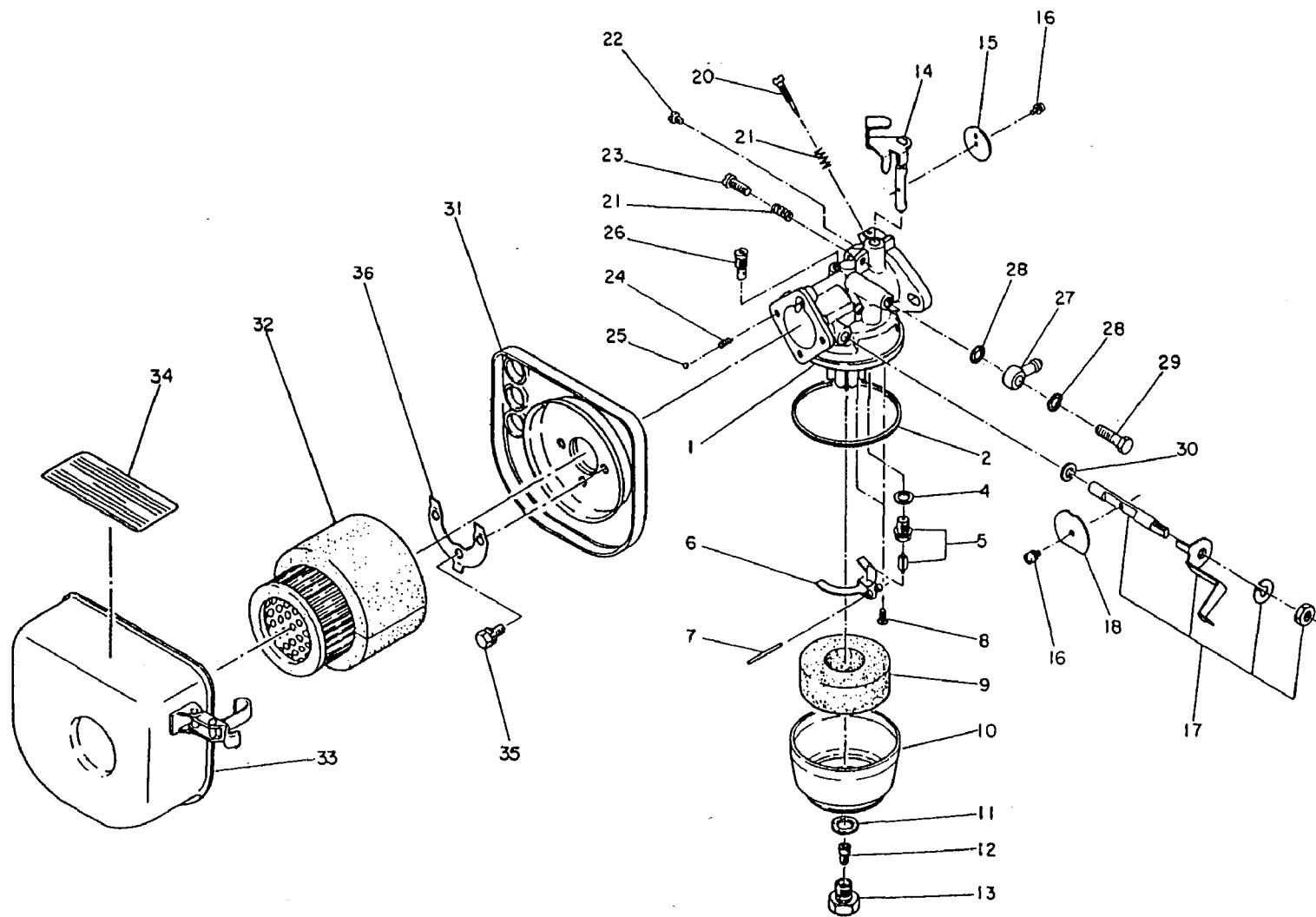
1. GOVERNOR



4. BLOWER HOUSING & MUFFLER EC10D(ME1WA;RT-75,RT-70) JUN' 82 4.



1. FUEL TANK



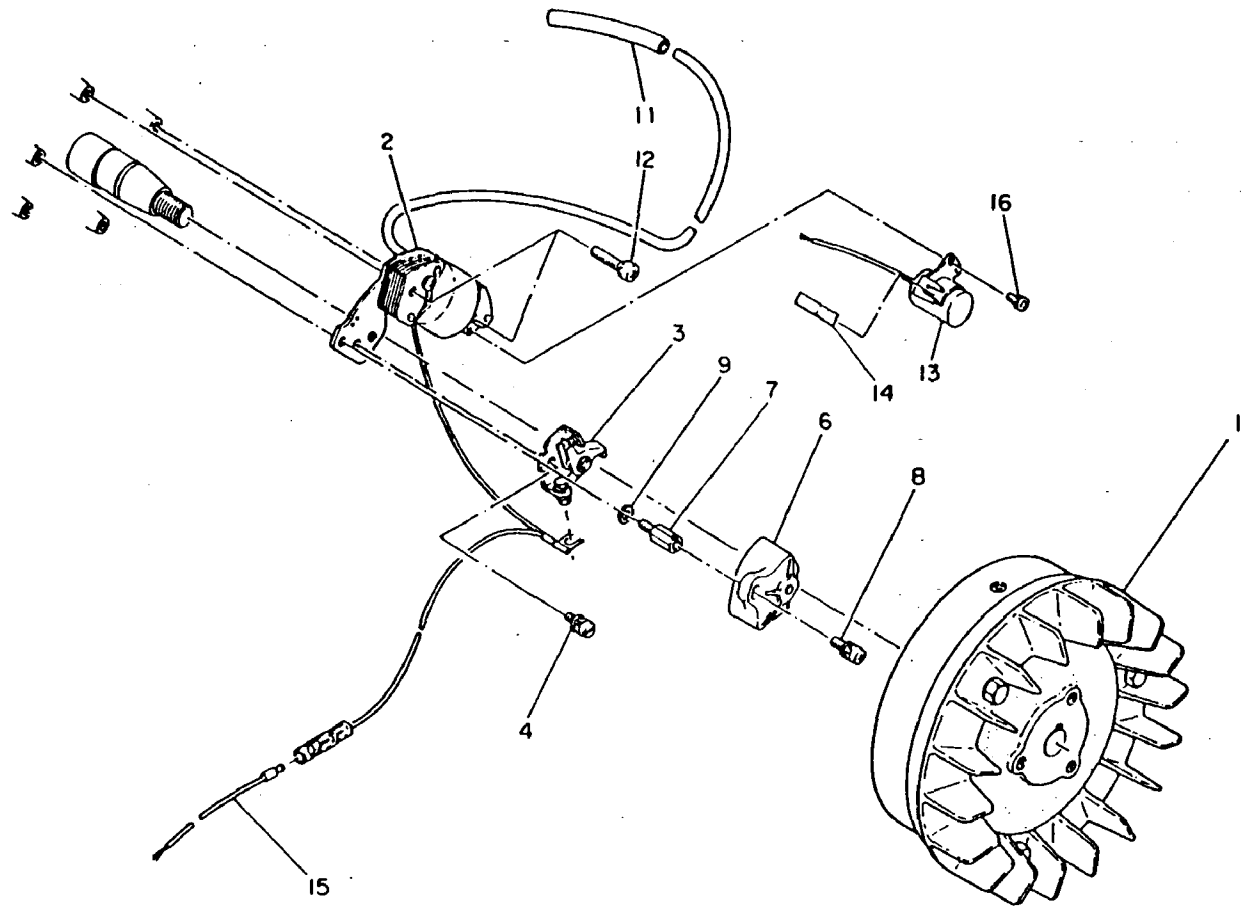
6. CARBURETOR & AIR CLEANER EC10D(ME1WA:RT-75.RT-70) JUN' 82 6.

Flange Mount type for
EC10D (MEIWA SEISAKUSHO LTD.)

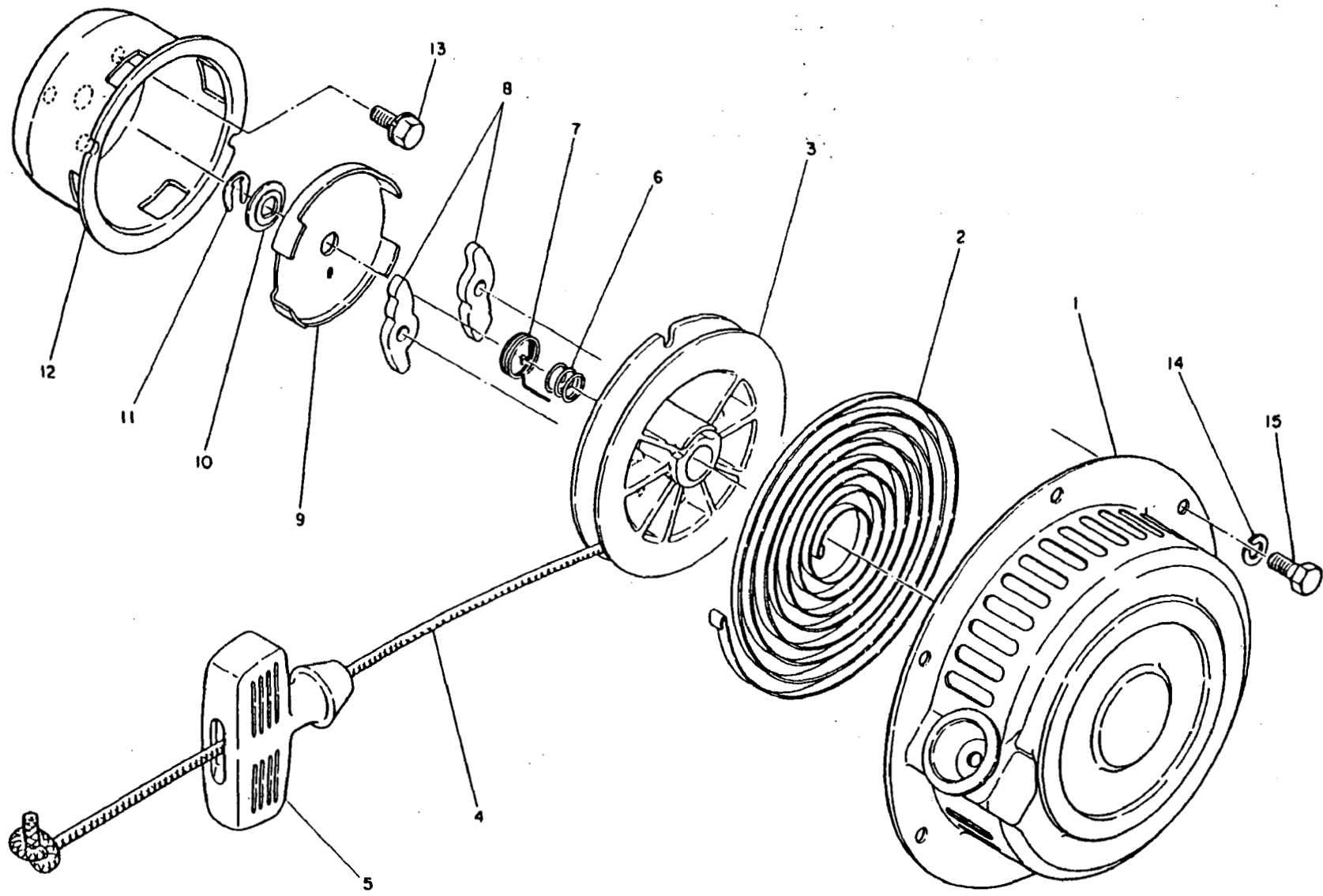
6. CARBURETOR & AIR CLEANER

Ref. to Fig. EC10D (MEIWA;RT-75, RT-70) JUN'82 6

Ref. No.	Part Name	Part Number	EC10D				Remarks	Price
			Q'ty		Q'ty	Q'ty		
* 1	CARBURETOR ASSY	106 62516 00	1				Incl. 2~30	
2	PACKING (float chamber)	106 62547 08	1					
4	PACKING	106 62381 08	1					
5	NEEDLE VALVE (1.5DIA)	128 62500 08	1					
6	FLOAT ARM	106 62511 08	1					
7	PIN (float)	106 62516 08	1					
8	SCREW	130 62358 08	1					
9	FLOAT	106 62508 08	1					
10	FLOAT CHAMBER	106 62389 08	1					
11	PACKING (main jet)	206 62431 08	1					
12	REVERSE MAIN JET	207 62403 08	1					
13	GUIDE HOLDER	206 62350 08	1					
14	SHAFT ASSY (throttle)	106 62534 08	1					
15	THROTTLE VALVE	106 62538 08	1					
16	SCREW AND WASHER	209 62351 08	2					
17	SHAFT ASSY. (choke)	106 62553 08	1					
18	CHOKE VALVE	106 62554 08	1					
20	PILOT SCREW	106 62436 08	1					
21	SPRING	206 62446 08	2					
22	GUIDE SCREW	106 62357 08	1					
23	SCREW	106 62358 08	1					
24	CHOKE SPRING	209 62446 08	1					
25	STEEL BALL	209 62353 08	1					
26	PILOT JET	207 62420 08	1					
27	BANJO	052 10601 00	1					

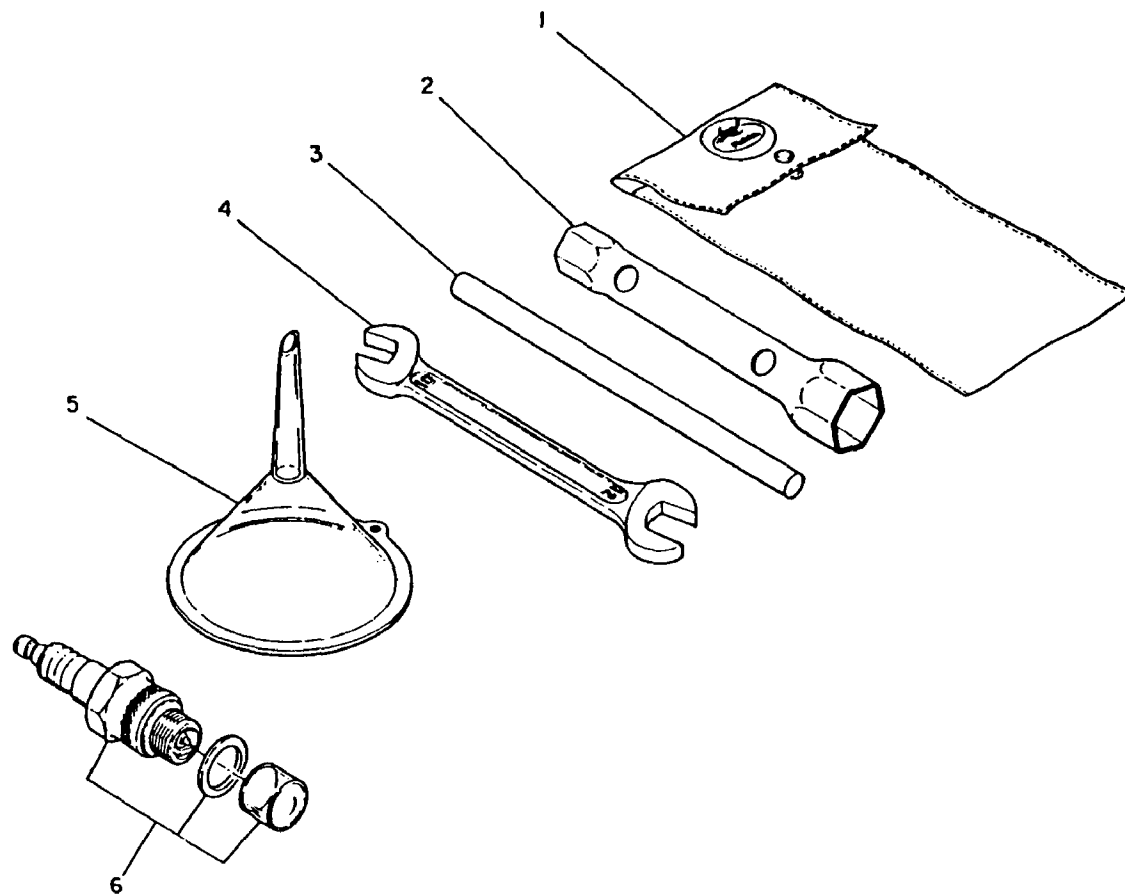


7. MAGNETO



1. RECOIL STARTER

EC10D(ME IWA:RT-75,RT-78) JUN' 82 8.



1. ACCESSORIES

EC100(ME IWA:RT-75,RT-70) JUN' 82 8.

NOTES



Robin America, Inc.

940 Lively Blvd., Wood Dale, IL 60191 • Tel: (708) 350-8200 • Fax: (708) 350-8212