

Robin Industrial Engines®

OEM PARTS MANUAL

Models

EC10D STONE

1193M315



ROBIN AMERICA, INC.
ROBIN TO WISCONSIN ROBIN
ENGINE MODEL CROSS REFERENCE LIST

ROBIN

WISCONSIN ROBIN

SIDE VALVE

| | |
|--------|---------|
| EY08 | W1-080 |
| EY15 | W1-145 |
| EY15V | W1-145V |
| EY20 | W1-185 |
| EY20V | W1-185V |
| EY23 | W1-230 |
| EY28 | W1-280 |
| EY35 | W1-340 |
| EY40 | W1-390 |
| EY45V | W1-450V |
| EY21 | EY21W |
| EY44 | EY44W |
| EY18-3 | EY18-3W |
| EY25 | EY25W |
| EY27 | EY27W |

OVERHEAD VALVE

| | |
|-------|----------|
| EH11 | W01-115 |
| EH12 | W01-120 |
| EH15 | W01-150 |
| EH17 | W01-170 |
| EH21 | W01-210 |
| EH25 | W01-250 |
| EH30 | W01-300 |
| EH30V | W01-300V |
| EH34 | W01-340 |
| EH34V | W01-340V |
| EH43V | W01-430V |

TWO CYCLE

| | |
|-------|----------|
| EC13V | WT1-125V |
|-------|----------|

DIESEL

| | |
|------|----------|
| DY23 | WRD1-230 |
| DY27 | WRD1-270 |
| DY30 | WRD1-300 |
| DY35 | WRD1-350 |
| DY41 | WRD1-410 |

Engine Model EC10D for STONE

Specification EC100DD2290

Introduction

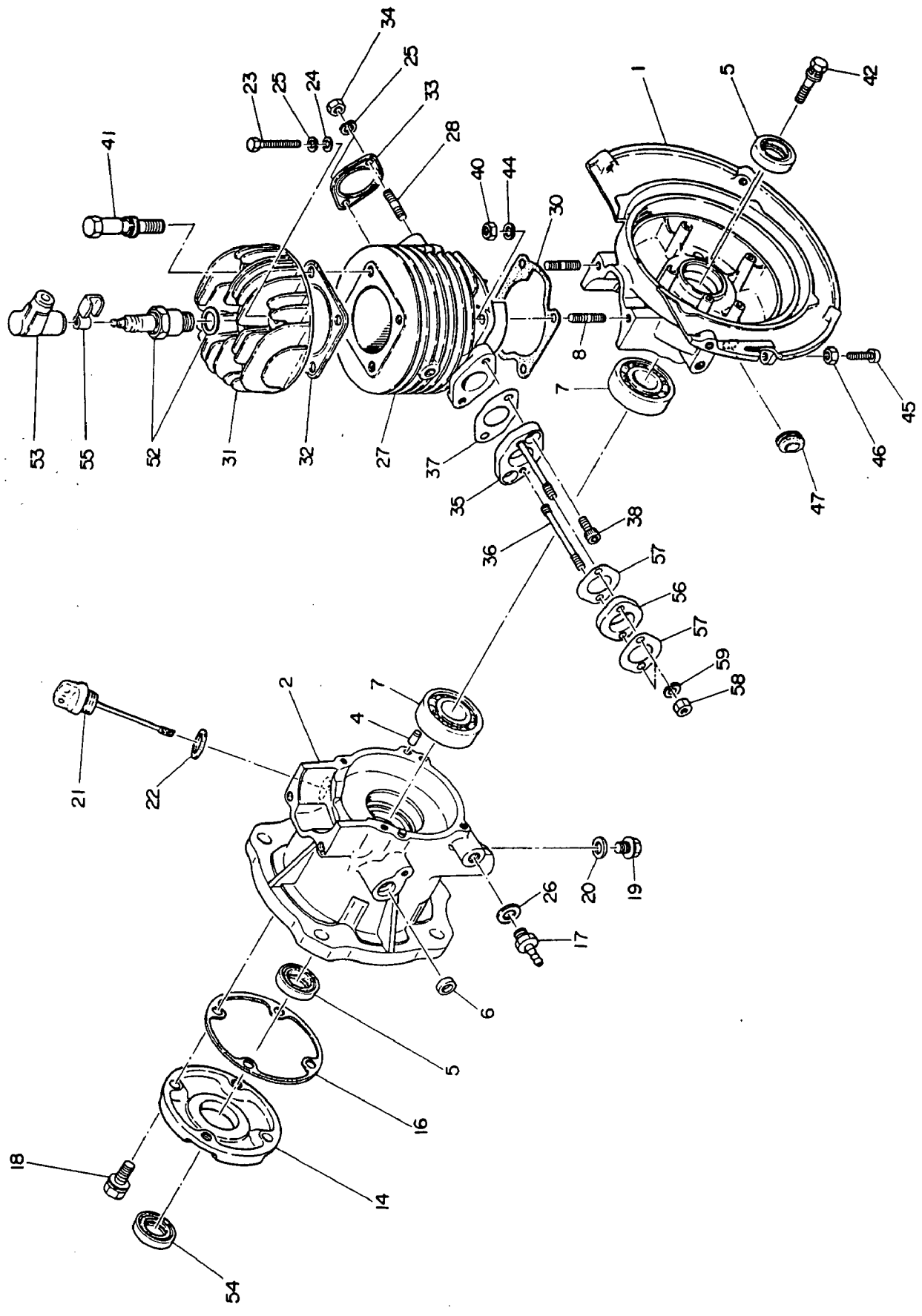
This catalog is designed to identify **Robin Engine** parts.

When ordering parts, it is always advisable to list the engine model, specification number and serial number. With this information, we can check your order for any incorrect part numbers. Use your Service Parts List to ensure proper part number and nomenclature identification.

ROBIN AMERICA INC. reserves the right to modify, alter and improve engines and parts. Part numbers and the structure of parts may change from those shown in this catalog.

Table of Contents

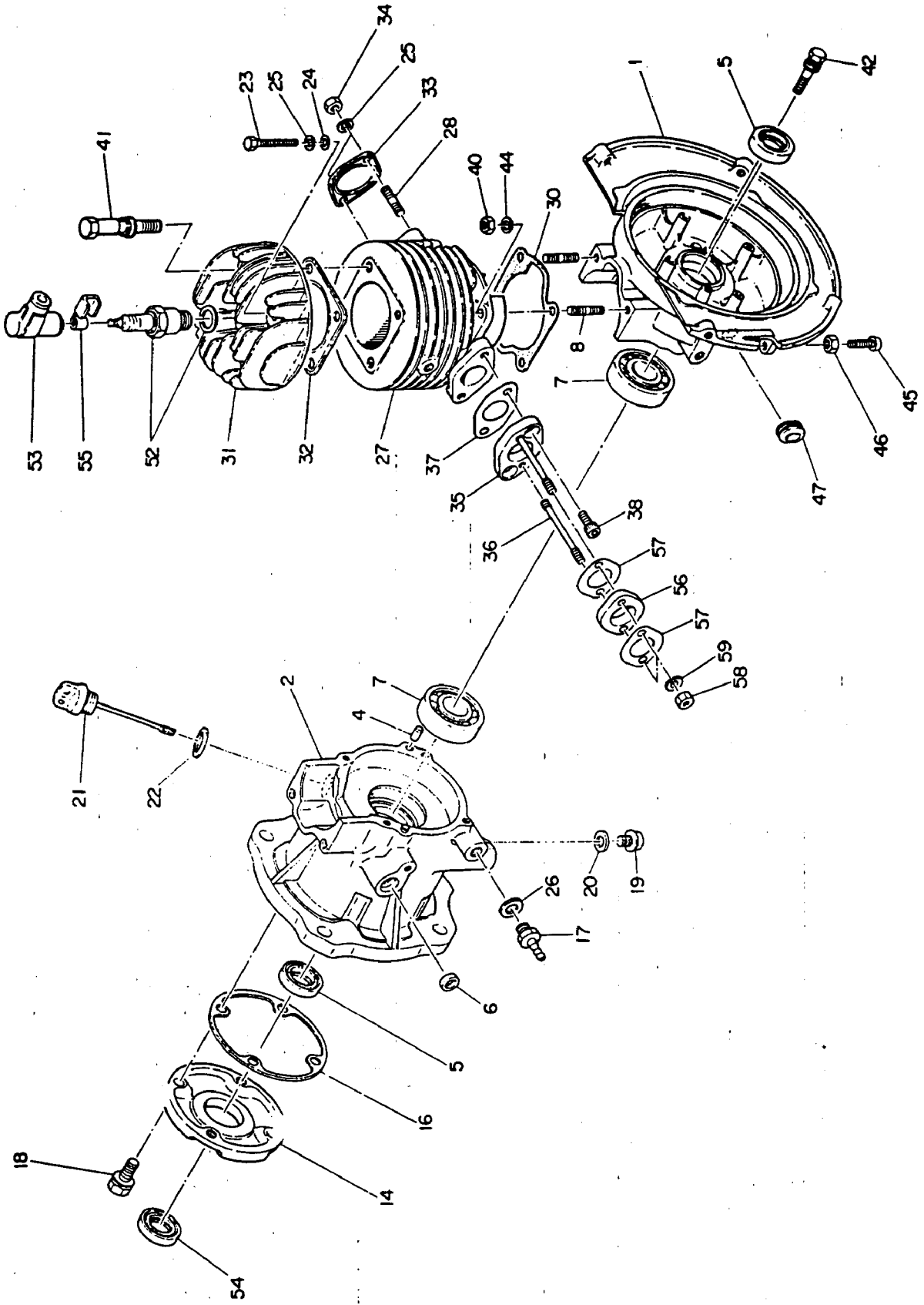
| | |
|----------------------------------|---|
| Crankcase and Cylinder | 1 |
| Crankshaft and Piston | 2 |
| Governor | 3 |
| Blower Housing and Muffler | 4 |
| Carburetor | 5 |
| Magneto (T.C.I.) | 6 |
| Recoil Starter | 7 |
| Accessories | 8 |



1. CRANKCASE & CYLINDER

↔ Interchangeability

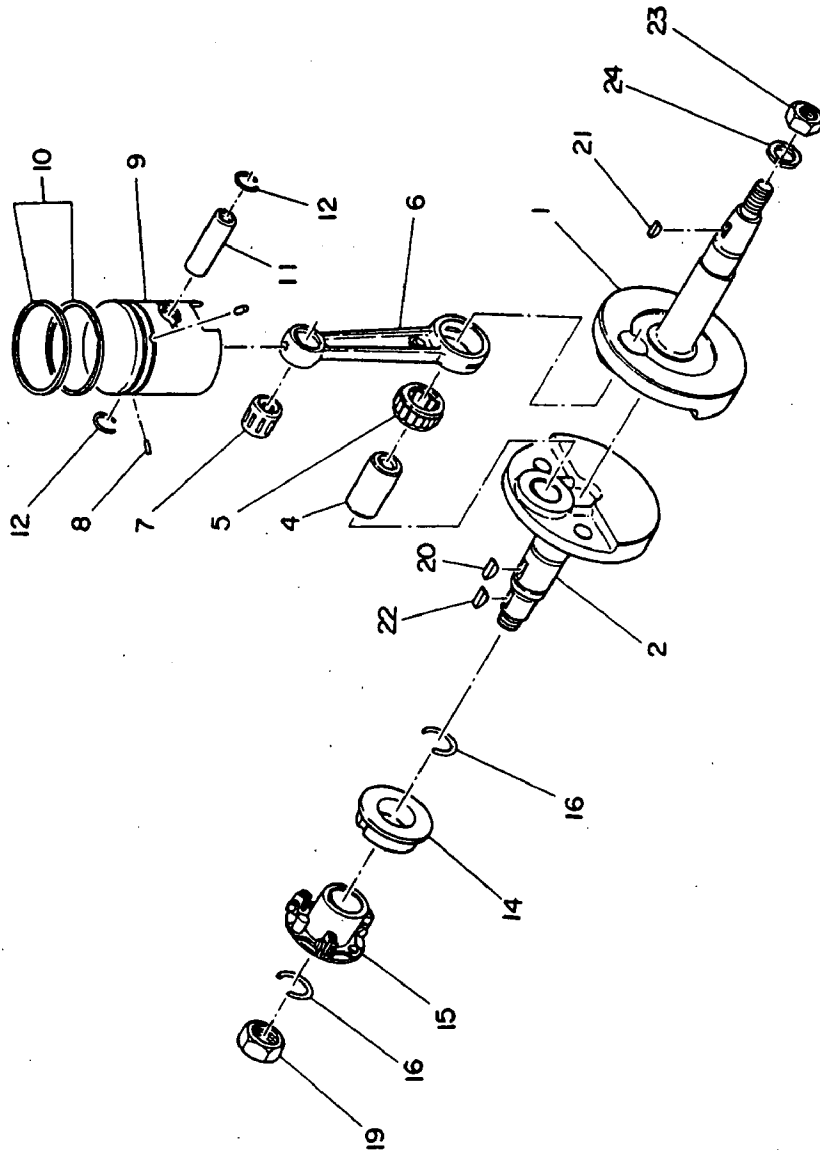
| Ref. No. | Part Number | Part Name | Qty | Description | FOB JAPAN IN U.S. \$ |
|----------|--------------|---------------------------|-----|-----------------------|----------------------|
| *1 | 106 10712 01 | Crankcase complete | 1 | Incl. 2,4~8,42 T.C.I. | |
| 4 | 031 00600 10 | Dowel pin | 2 | | |
| 5 | 044 02000 10 | Oil seal | 2 | | |
| 6 | 044 00800 10 | Oil seal | 1 | | |
| 7 | 060 02000 20 | Ball bearing | 2 | | |
| 8 | 010 50700 10 | Stud | 4 | | |
| 8 | 010 50600 90 | Stud | 4 | | |
| *14 | 106 11601 11 | Crankcase cover complete | 1 | Incl. 54 | |
| 16 | 106 15002 03 | Gasket (case cover) | 1 | | |
| 17 | 050 51000 70 | Union | 1 | | |
| 18 | 001 14061 60 | Bolt & washer ass'y | 4 | | |
| 19 | 040 10800 10 | Plug | 1 | | |
| 20 | 021 00800 10 | Gasket | 1 | | |
| 21 | 106 63606 01 | Oil gauge complete | 1 | | |
| 22 | 021 01600 10 | Gasket | 1 | | |
| 23 | 010 30800 10 | Bolt | 2 | | |
| 24 | 003 10080 00 | Washer | 2 | | |
| 25 | 003 20080 00 | Spring washer | 4 | | |
| 26 | 003 71100 00 | Gasket (fiber) | 1 | | |
| *27 | 106 12407 01 | Cylinder complete | 1 | Incl. 28,29 | |
| *27 | 106 12405 01 | Cylinder complete | 1 | Incl. 28,29 | |
| 28 | 001 31083 01 | Stud | 2 | | |
| 30 | 106 15001 23 | Gasket (cylinder) | 1 | | |
| 32 | 106 15101 11 | Gasket complete (head) | 1 | | |
| 33 | 106 35102 01 | Gasket complete (exhaust) | 1 | | |



1. CRANKCASE & CYLINDER

↔ Interchangeability

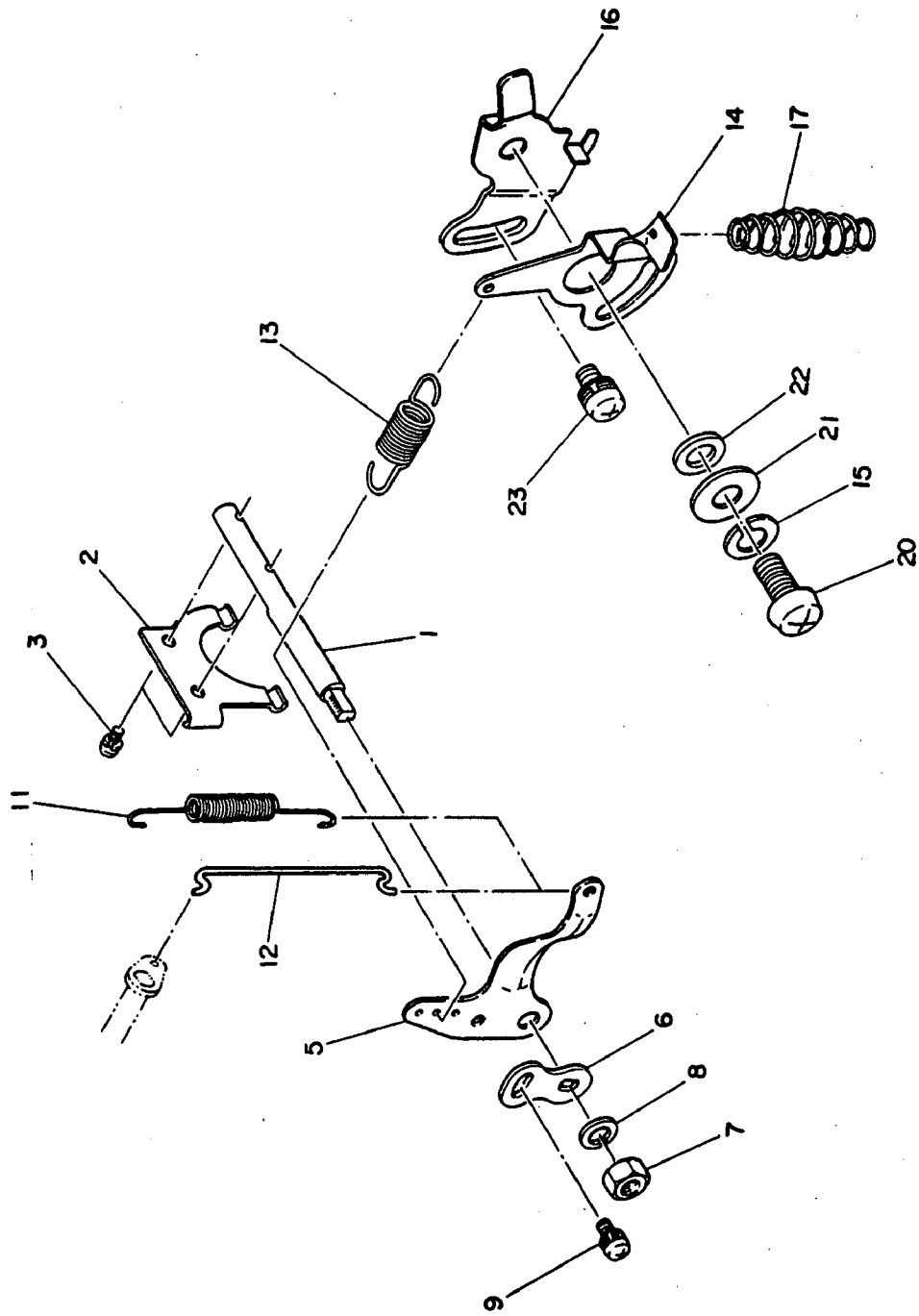
| Ref. No. | Part Number | Part Name | Q'ty | Description | FOB JAPAN IN U.S. \$ |
|----------|--------------|------------------------|------|-------------|----------------------|
| 34 | 002 19080 00 | Nut | 2 | | |
| *35 | 106 33101 01 | Intake flange complete | 1 | Incl. 36 | |
| 36 | 010 50500 30 | Stud | 2 | | |
| 37 | 106 35001 03 | Gasket (insulator) | 1 | | |
| 38 | 011 90600 20 | Bolt (socket head) | 2 | | |
| 40 | 017 00700 20 | Nut | 4 | | |
| 40 | 017 00600 60 | Nut | 4 | | |
| 41 | 013 00800 71 | Bolt & washer ass'y | 2 | | |
| 41 | 013 00800 70 | Bolt & washer ass'y | 2 | | |
| 42 | 001 14063 50 | Bolt & washer ass'y | 4 | | |
| 44 | 020 30700 10 | Spring washer | 4 | | |
| 44 | 003 21060 00 | Spring washer | 4 | | |
| 45 | 014 90600 40 | Adjusting screw | 1 | | |
| 46 | 002 27060 00 | Nut | 1 | | |
| 47 | 024 10700 90 | Grommet | 1 | | |
| 52 | 065 01400 10 | Spark plug | 1 | NGK B-4 | |
| 53 | 065 50001 40 | Spark plug cap | 1 | | |
| 54 | 044 02000 30 | Oil seal | 1 | | |
| 55 | 065 90000 10 | Plug terminal | 1 | | |
| 56 | 106 32911 03 | Insulator | 1 | | |
| 57 | 106 65002 03 | Gasket (carb) | 2 | | |
| 58 | 002 18050 00 | Nut | 2 | | |
| 59 | 003 20050 00 | Spring washer | 2 | | |
| | | | | | |
| | | | | | |



2. CRANKSHAFT & PISTON

↙Interchangeability

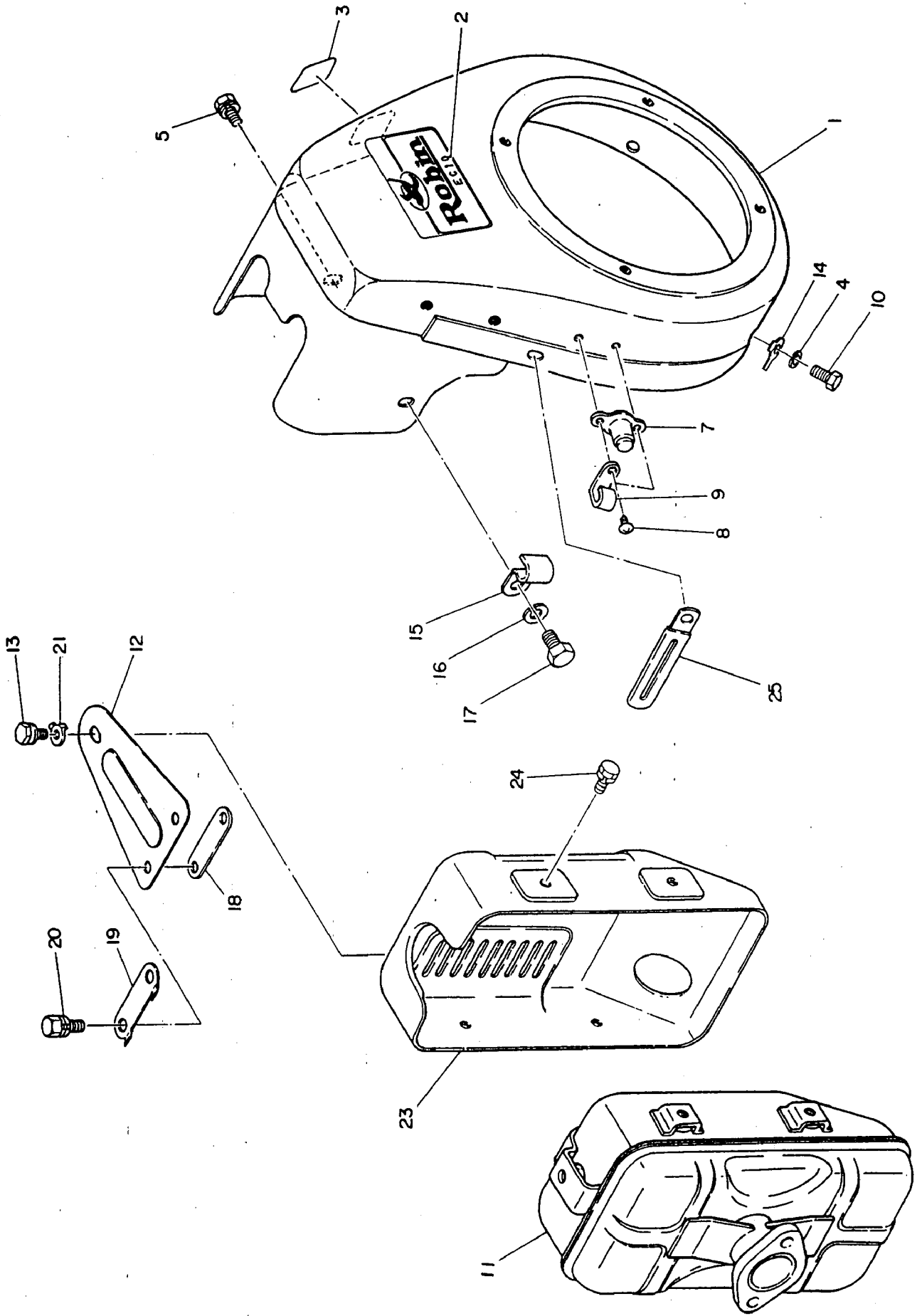
| Ref. No. | Part Number | Part Name | Qty | Description | FOB JAPAN IN U.S. \$ |
|----------|--------------|-------------------------|-----|-----------------------------------|-------------------------|
| ※ 1 | 106 20202 10 | Crankshaft ass'y | 1 | Incl. 2,4~6 | |
| 7 | 061 01200 10 | Needle bearing | 1 | | |
| ※ 9 | 106 23401 11 | Piston complete | 1 | Incl. 8 | |
| 9 | 106 23402 01 | Piston complete | 1 | Over size 0.25mm | |
| 9 | 106 23403 01 | Piston complete | 1 | Over size 0.50mm | |
| 10 | 106 23501 07 | Piston ring set | 1 | Standard | |
| 10 | 106 23502 07 | Piston ring set | 1 | Over size 0.25mm | |
| 10 | 106 23503 07 | Piston ring set | 1 | Over size 0.50mm | |
| 11 | 106 23301 13 | Piston pin | 1 | | |
| 12 | 056 51200 10 | Clip | 2 | | |
| 14 | 106 41903 03 | Governor sleeve | 1 | | |
| 15 | 106 41702 01 | Governor plate complete | 1 | | |
| 16 | 056 52000 20 | Clip | 2 | | |
| 19 | 017 31200 10 | Lock nut | 1 | | |
| 20 | 032 30400 10 | Woodruff key | 1 | | |
| 21 | 005 32042 01 | Woodruff key | 1 | | |
| 22 | 005 32042 01 | Woodruff key | 1 | Parts to be shipped independently | |
| 23 | 017 01000 10 | Nut | 1 | | |
| 24 | 003 20100 00 | Spring washer | 1 | | |
| | | | | | |
| | | | | | |
| | | | | | |
| | | | | | |
| | | | | | |
| | | | | | |
| | | | | | |
| | | | | | |
| | | | | | |



3. GOVERNOR

↙ Interchangeability

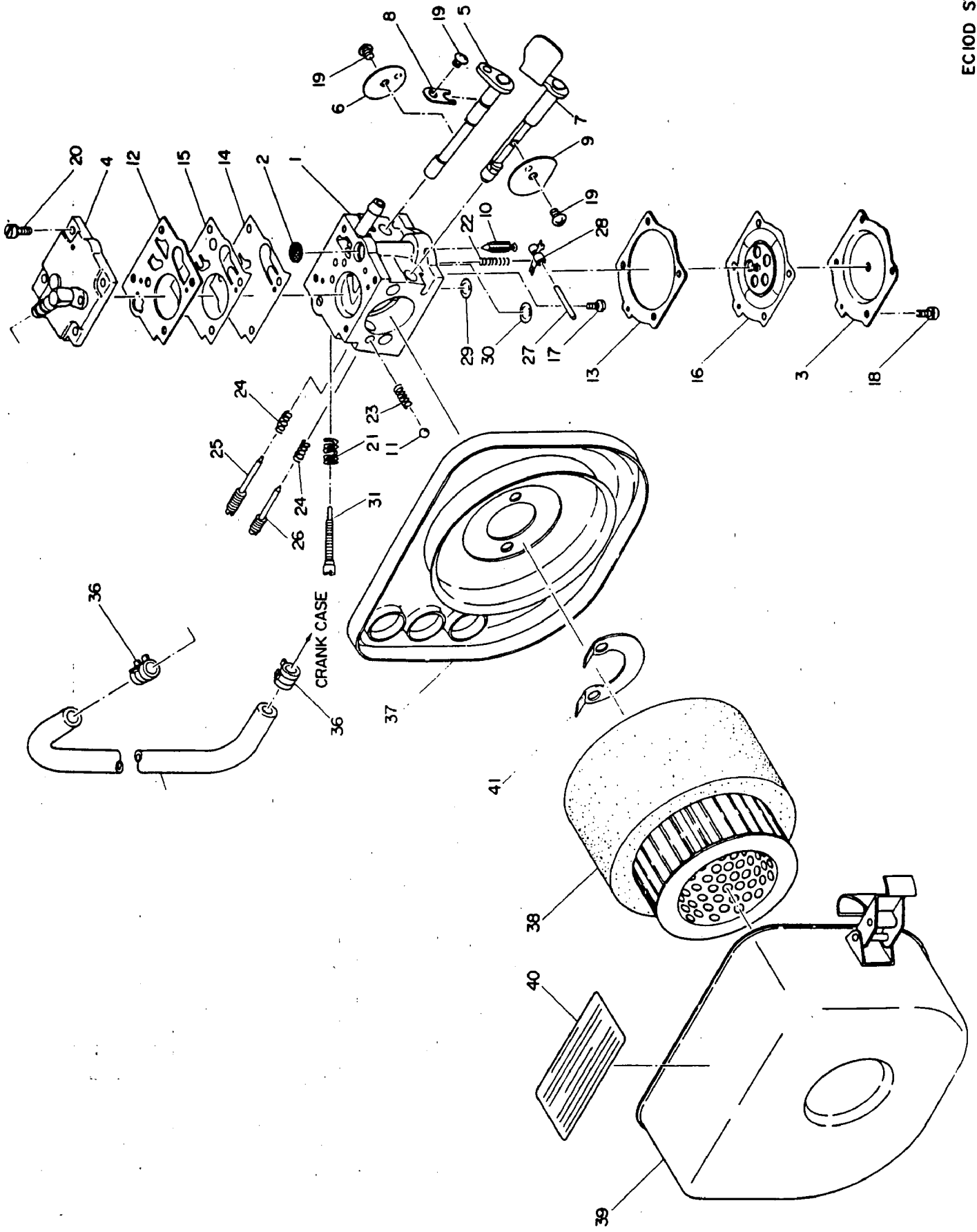
| Ref. No. | Part Number | Part Name | Q'ty | Description | FOB JAPAN IN U.S.\$ |
|----------|--------------|----------------------|------|-----------------------------------|------------------------|
| 1 | 106 42201 03 | Governor shaft | 1 | | |
| 2 | 106 42101 13 | Governor yoke | 1 | | |
| 3 | 004 35040 60 | Screw & washer ass'y | 2 | | |
| 5 | 106 42307 01 | Governor lever | 1 | | |
| 6 | 106 42401 01 | Adjusting plate | 1 | | |
| 7 | 002 17060 00 | Nut | 1 | | |
| 8 | 003 20060 00 | Spring washer | 1 | | |
| 9 | 004 36040 80 | Screw & washer ass'y | 1 | | |
| 11 | 106 42801 11 | Rod spring | 1 | | |
| 12 | 227 47701 01 | Governor rod | 1 | | |
| 13 | 105 42501 01 | Governor spring | 1 | | |
| 14 | 106 43302 01 | Governor control | 1 | | |
| 15 | 003 20080 00 | Spring washer | 1 | | |
| 16 | 106 43504 00 | Stop plate | 1 | | |
| 17 | 083 00000 10 | Coil spring | 1 | Parts to be shipped independently | |
| 20 | 004 31081 60 | Screw | 1 | | |
| 21 | 003 11080 00 | Washer | 1 | | |
| 22 | 023 00800 60 | Spacer | 1 | | |
| 23 | 004 36061 00 | Screw & washer ass'y | 1 | | |
| | | | | | |
| | | | | | |
| | | | | | |
| | | | | | |
| | | | | | |
| | | | | | |
| | | | | | |
| | | | | | |
| | | | | | |
| | | | | | |
| | | | | | |



4. BLOWER HOUSING & MUFFLER

Interchangeability

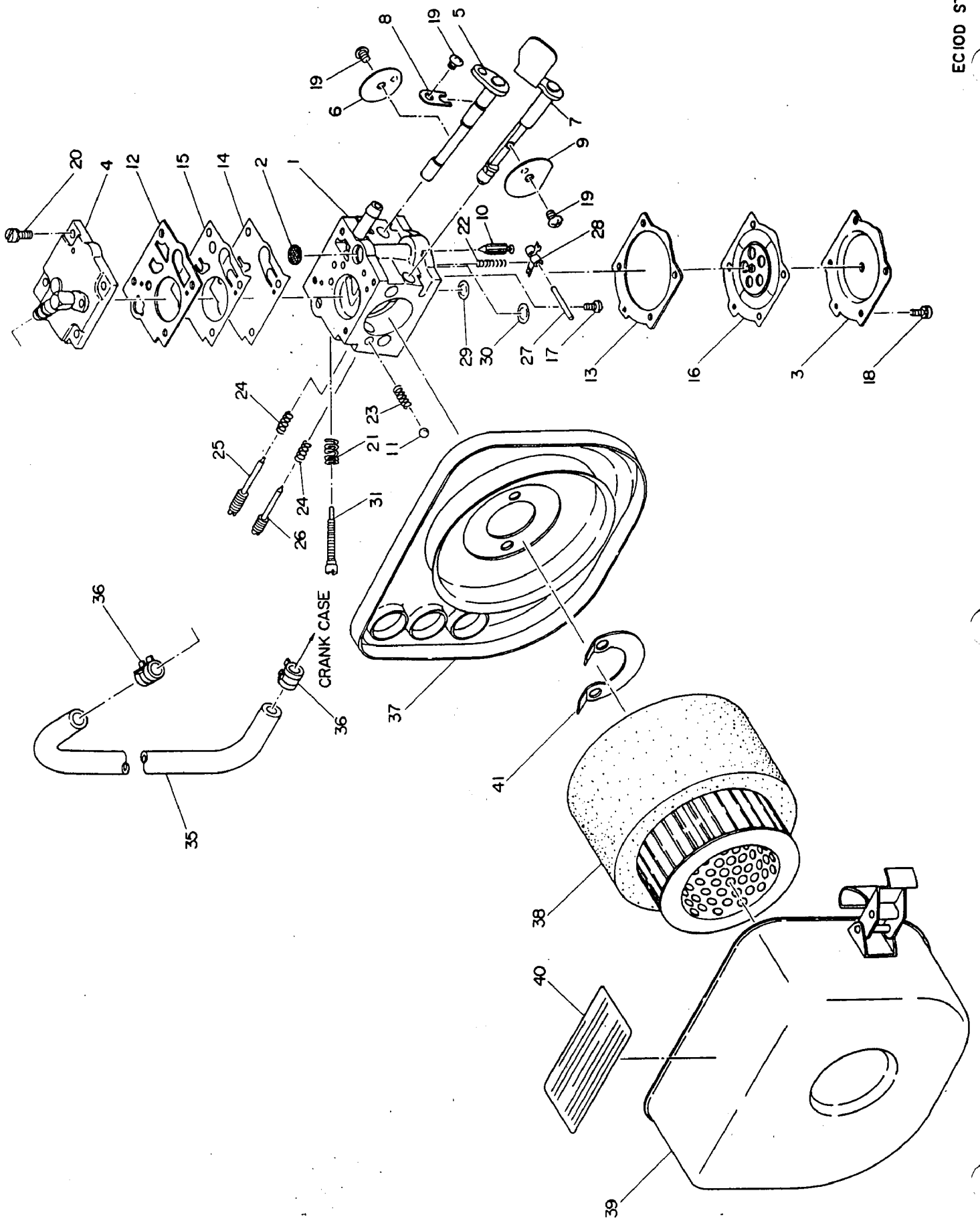
| Ref. No. | Part Number | Part Name | Q'ty | Description | FOB JAPAN IN U.S.\$ |
|----------|--------------|-------------------------|------|------------------|---------------------|
| *1 | 106 51831 01 | Blower housing complete | 1 | Incl. 2,3 I.C.I. | |
| 2 | 106 91706 03 | Label (trade mark) | 1 | | |
| 3 | 106 91811 23 | Label (engine name) | 1 | | |
| 4 | 003 20060 00 | Spring washer | 4 | | |
| 5 | 001 10061 20 | Bolt & washer ass'y | 1 | | |
| 7 | 066 20000 11 | Stop button | 1 | | |
| 8 | 015 00400 10 | Tapping screw | 2 | | |
| 9 | 056 60300 10 | Clamp | 1 | | |
| 10 | 001 66061 20 | Bolt | 4 | | |
| 11 | 106 30116 31 | Muffler complete | 1 | | |
| 12 | 106 35601 31 | Bracket (muffler) | 1 | | |
| 13 | 001 13081 60 | Bolt & washer ass'y | 1 | | |
| 14 | 020 50600 10 | Lock washer | 3 | | |
| 15 | 106 75017 01 | Clamp complete | 1 | | |
| 16 | 003 20080 00 | Spring washer | 1 | | |
| 17 | 001 65081 20 | Bolt | 1 | | |
| 18 | 106 35302 01 | Spacer | 1 | | |
| 19 | 105 65101 21 | Lock washer (tank) | 1 | | |
| 20 | 001 13081 60 | Bolt & washer ass'y | 2 | | |
| 21 | 020 50800 11 | Lock washer | 1 | | |
| 23 | 106 34251 21 | Muffler cover complete | 1 | | |
| 24 | 001 16061 00 | Bolt & washer ass'y | 4 | | |
| 25 | 150 75201 03 | CLAMP | 1 | | |
| | | | | | |
| | | | | | |



5. CARBURETOR

↔ Interchangeability

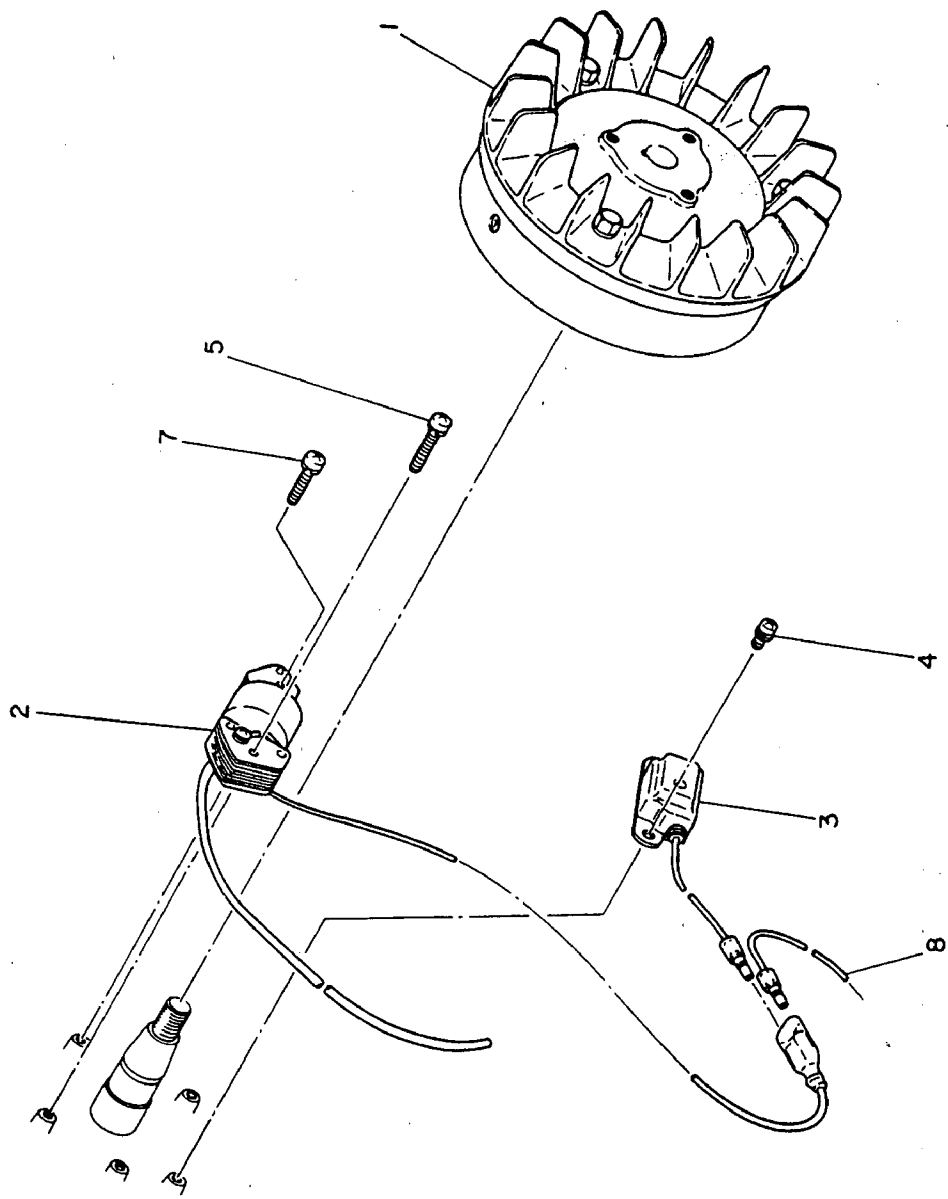
| Ref. No. | Part Number | Part Name | Qty | Description | FOB JAPAN IN U.S.\$ |
|----------|--------------|-------------------------|-----|-------------|---------------------|
| *1 | 106 62561 00 | Carburetor ass'y | 1 | Incl. 2~31 | |
| 2 | 106 62560 08 | Screen | 1 | | |
| 3 | 106 62561 08 | Cover | 1 | | |
| 4 | 106 62562 08 | Cover ass'y | 1 | | |
| 5 | 106 62563 08 | Shaft ass'y (throttle) | 1 | | |
| 6 | 106 62564 08 | Valve (throttle) | 1 | | |
| 7 | 106 62565 08 | Shaft ass'y (choke) | 1 | | |
| 8 | 106 62566 08 | Clip | 1 | | |
| 9 | 106 62567 08 | Valve (choke) | 1 | | |
| 10 | 106 62568 08 | Valve (inlet needle) | 1 | | |
| 11 | 106 62569 08 | Ball | 1 | | |
| 12 | 106 62570 08 | Gasket (fuel pump) | 1 | | |
| 13 | 106 62571 08 | Gasket | 1 | | |
| 14 | 106 62572 08 | Diaphragm (fuel pump) | 1 | | |
| 15 | 106 62573 08 | Diaphragm (check valve) | 1 | | |
| 16 | 106 62574 08 | Diaphragm ass'y | 1 | | |
| 17 | 106 62575 08 | Screw | 1 | | |
| 18 | 106 62576 08 | Screw ass'y | 4 | | |
| 19 | 106 62577 08 | Screw (valve) | 3 | | |
| 20 | 106 62578 08 | Screw (pump cover) | 4 | | |
| 21 | 106 62579 08 | Spring (idle) | 1 | | |
| 22 | 106 62580 08 | Spring (metering) | 1 | | |
| 23 | 106 62581 08 | Spring (choke) | 1 | | |
| 24 | 106 62582 08 | Spring (needle) | 2 | | |
| 25 | 106 62583 08 | Needle (idle) | 1 | | |



5. CARBURETOR

↔ Interchangeability

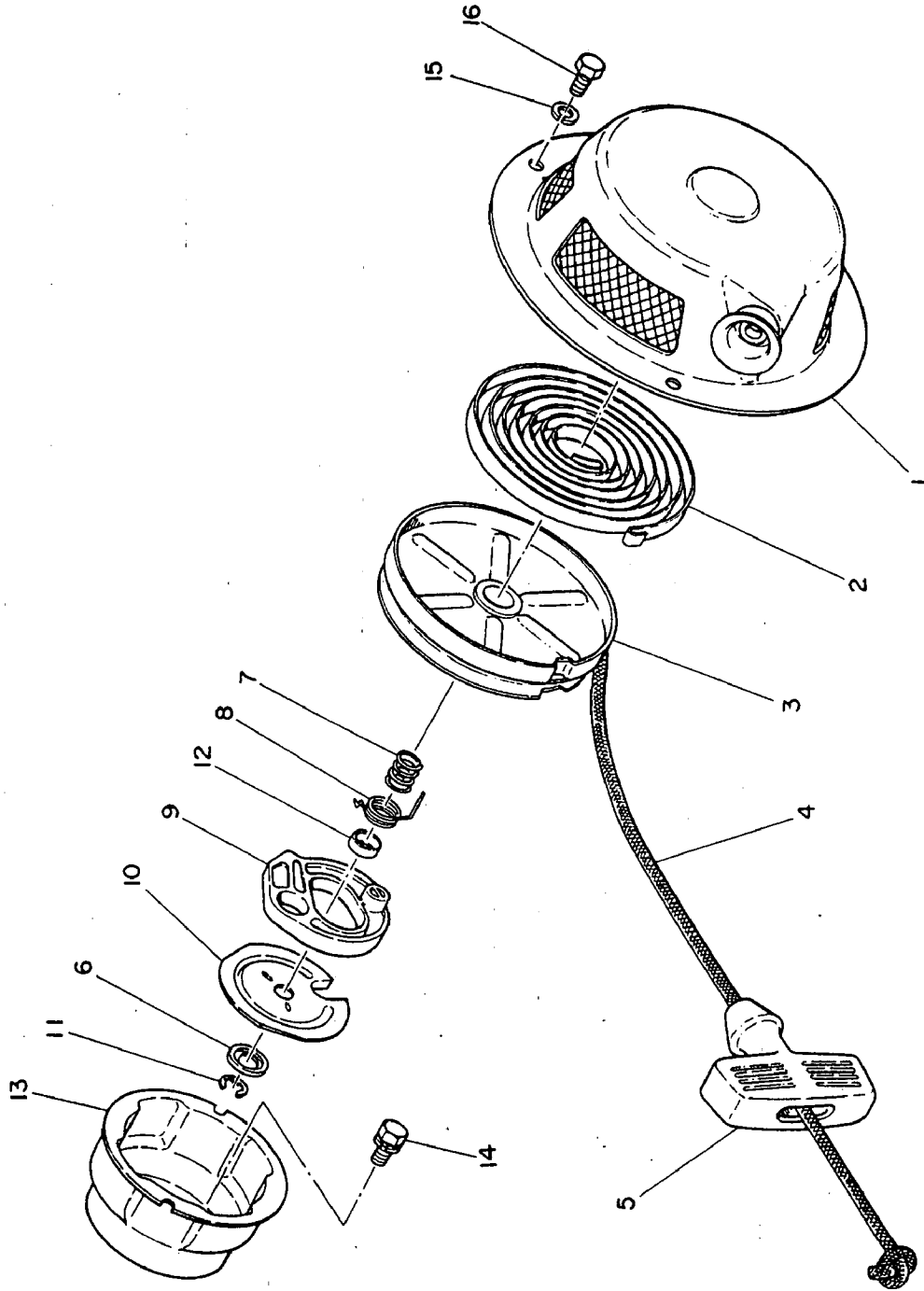
| Ref. No. | Part Number | Part Name | Q'ty | Description | FOB JAPAN IN U.S. \$ |
|----------|--------------|---------------------|------|-------------|-------------------------|
| 26 | 106 62584 08 | Needle (high speed) | 1 | | |
| 27 | 106 62585 08 | Pin | 1 | | |
| 28 | 106 62586 08 | Lever (metering) | 1 | | |
| 29 | 106 62587 08 | Plug (3/8) | 1 | | |
| 30 | 106 62588 08 | Plug (5/16) | 1 | | |
| 31 | 106 62589 08 | Screw (idle adjust) | 1 | | |
| 35 | 085 10410 70 | Rubber pipe | 1 | 4.5X9X210 | |
| 36 | 056 10800 20 | Hose clamp | 2 | | |
| ※37 | 106 32727 00 | Air cleaner ass'y | 1 | Incl. 38~40 | |
| 38 | 106 32704 07 | Element complete | 1 | | |
| 40 | 106 32738 08 | Label (caution) | 1 | | |
| 41 | 106 35202 01 | Lock washer | 1 | | |
| | | | | | |
| | | | | | |
| | | | | | |
| | | | | | |
| | | | | | |
| | | | | | |
| | | | | | |
| | | | | | |
| | | | | | |
| | | | | | |
| | | | | | |
| | | | | | |
| | | | | | |
| | | | | | |
| | | | | | |
| | | | | | |
| | | | | | |
| | | | | | |



6. MAGNETO (T. C. I.)

Interchangeability

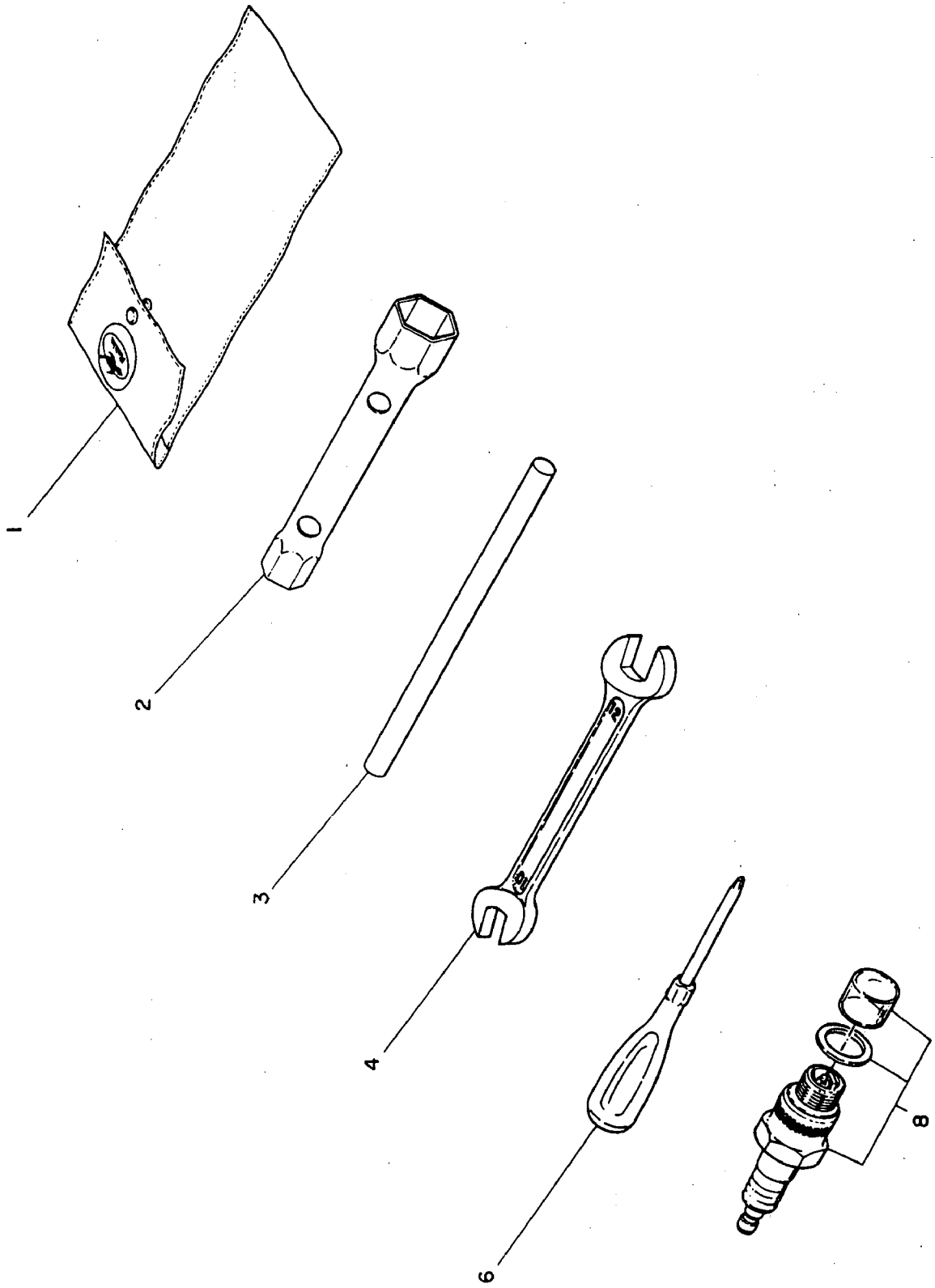
| Ref. No. | Part Number | Part Name | Qty | Description | FOB JAPAN IN U.S. \$ |
|----------|--------------|------------------------|-----|------------------|----------------------|
| * | 106 70210 00 | Magneto ass'y | 1 | Incl. 1~3 T.C.I. | |
| 1 | 106 70175 08 | Flywheel complete | 1 | | |
| 2 | 106 70110 08 | Generating ass'y | 1 | | |
| 3 | 106 70247 08 | T. C. I. unit | 1 | | |
| 4 | 001 13051 00 | Bolt and washer ass'y | 2 | | |
| 5 | 004 35042 50 | Screw and washer ass'y | 1 | | |
| 7 | 004 35042 00 | Screw and washer ass'y | 1 | | |
| 8 | 106 73301 01 | wire complete | 1 | | |
| | | | | | |
| | | | | | |
| | | | | | |
| | | | | | |
| | | | | | |
| | | | | | |
| | | | | | |
| | | | | | |
| | | | | | |
| | | | | | |
| | | | | | |
| | | | | | |
| | | | | | |
| | | | | | |
| | | | | | |
| | | | | | |
| | | | | | |
| | | | | | |
| | | | | | |
| | | | | | |



7. RECOIL STARTER

↔Interchangeability

| Ref. No. | Part Number | Part Name | Q'ty | Description | FOB JAPAN IN U.S. \$ |
|----------|--------------|----------------------|------|-----------------|----------------------|
| *1 | 106 50911 00 | Recoil starter ass'y | 1 | Incl. 2 thru 12 | |
| 2 | 106 50116 08 | Spiral spring | 1 | | |
| 4 | 106 50112 08 | Starter rope | 1 | | |
| 5 | 106 50100 08 | Starter nob complete | 1 | | |
| 6 | 106 50177 08 | Washer | 1 | | |
| 7 | 106 50132 08 | Friction spring | 1 | | |
| 8 | 106 50135 08 | Return spring | 1 | | |
| 9 | 106 50177 08 | Ratchet | 1 | | |
| 10 | 106 50143 08 | Friction plate | 1 | | |
| 11 | 105 50155 08 | Clip | 1 | | |
| 12 | 105 50154 08 | Spring cover | 1 | | |
| 13 | 106 50178 08 | Starting pulley | 1 | | |
| 14 | 001 10061 20 | Bolt & washer ass'y | 3 | | |
| 15 | 003 20060 00 | Spring washer | 4 | | |
| 16 | 001 66061 20 | Bolt | 4 | | |
| | | | | | |
| | | | | | |
| | | | | | |
| | | | | | |
| | | | | | |
| | | | | | |
| | | | | | |
| | | | | | |
| | | | | | |
| | | | | | |
| | | | | | |
| | | | | | |
| | | | | | |
| | | | | | |
| | | | | | |
| | | | | | |
| | | | | | |



8. ACCESSORIES

Interchangeability

| Ref. No. | Part Number | Part Name | Qty | Description | FOB JAPAN IN U.S.† |
|----------|--------------|---------------------|-----|----------------|-----------------------|
| * 1 | 106 90309 00 | Accessory tools kit | 1 | Incl. 2 thru 6 | |
| 8 | 065 01400 10 | Spark plug | 1 | NGK B-4 | |
| | | | | | |
| | | | | | |
| | | | | | |
| | | | | | |
| | | | | | |
| | | | | | |
| | | | | | |
| | | | | | |
| | | | | | |
| | | | | | |
| | | | | | |
| | | | | | |
| | | | | | |
| | | | | | |
| | | | | | |
| | | | | | |
| | | | | | |
| | | | | | |
| | | | | | |
| | | | | | |
| | | | | | |
| | | | | | |
| | | | | | |

NOTES

NOTES

[Faint, illegible handwritten notes covering the majority of the page]

NOTES



Robin America, Inc.

940 Lively Blvd., Wood Dale, IL 60191 • Tel: (708) 350-8200 • Fax: (708) 350-8212