

Robin Industrial Engines®

OEM PARTS MANUAL

Model

EC10D WAKITA

1193M317



ROBIN AMERICA, INC.
ROBIN TO WISCONSIN ROBIN
ENGINE MODEL CROSS REFERENCE LIST

ROBIN

WISCONSIN ROBIN

SIDE VALVE

| | |
|--------|---------|
| EY08 | W1-080 |
| EY15 | W1-145 |
| EY15V | W1-145V |
| EY20 | W1-185 |
| EY20V | W1-185V |
| EY23 | W1-230 |
| EY28 | W1-280 |
| EY35 | W1-340 |
| EY40 | W1-390 |
| EY45V | W1-450V |
| EY21 | EY21W |
| EY44 | EY44W |
| EY18-3 | EY18-3W |
| EY25 | EY25W |
| EY27 | EY27W |

OVERHEAD VALVE

| | |
|-------|----------|
| EH11 | W01-115 |
| EH12 | W01-120 |
| EH15 | W01-150 |
| EH17 | W01-170 |
| EH21 | W01-210 |
| EH25 | W01-250 |
| EH30 | W01-300 |
| EH30V | W01-300V |
| EH34 | W01-340 |
| EH34V | W01-340V |
| EH43V | W01-430V |

TWO CYCLE

| | |
|-------|----------|
| EC13V | WT1-125V |
|-------|----------|

DIESEL

| | |
|------|----------|
| DY23 | WRD1-230 |
| DY27 | WRD1-270 |
| DY30 | WRD1-300 |
| DY35 | WRD1-350 |
| DY41 | WRD1-410 |

Introduction

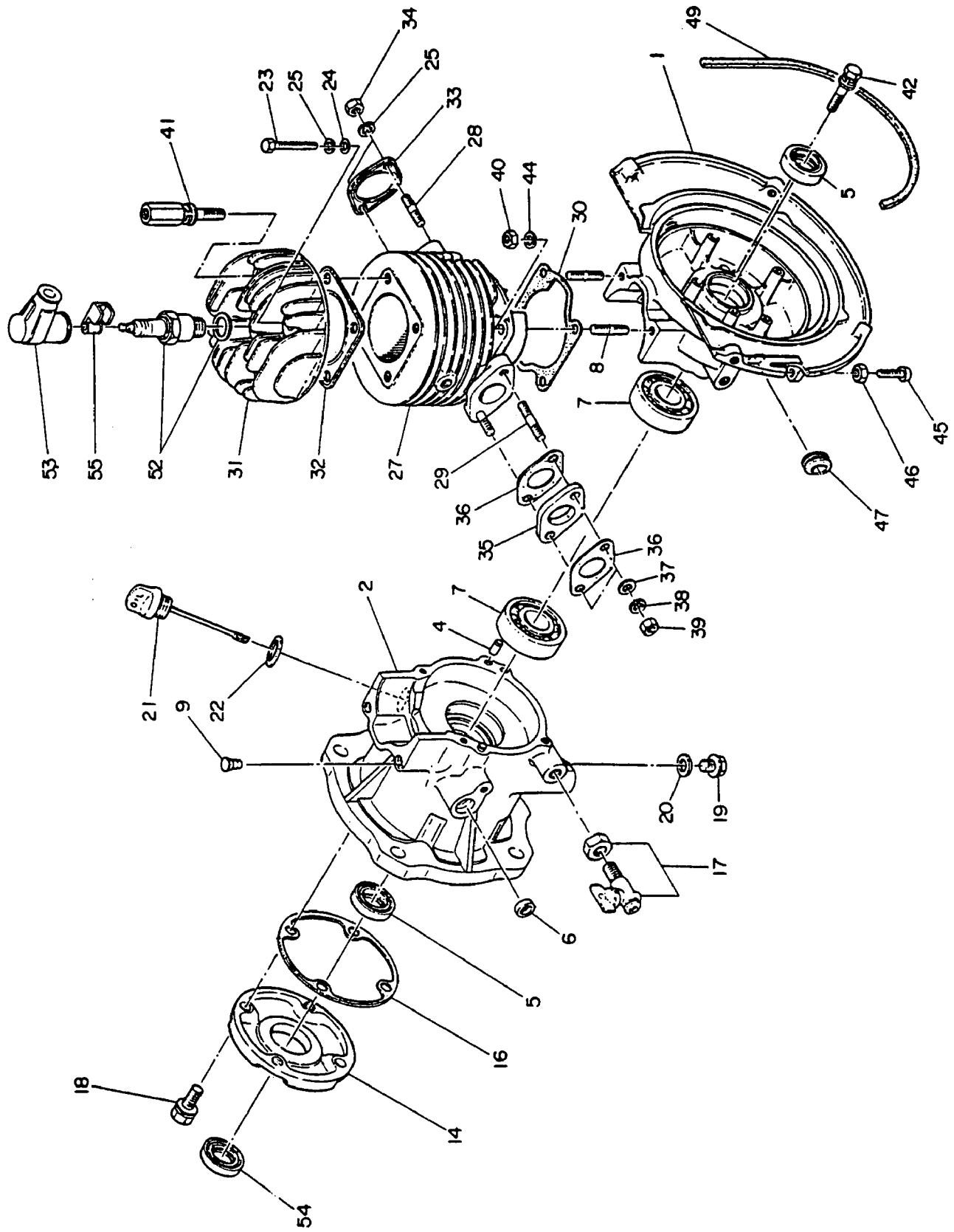
This catalog is designed to identify **Robin Engine** parts.

When ordering parts, it is always advisable to list the engine model, specification number and serial number. With this information, we can check your order for any incorrect part numbers. Use your Service Parts List to ensure proper part number and nomenclature identification.

ROBIN AMERICA INC. reserves the right to modify, alter and improve engines and parts. Part numbers and the structure of parts may change from those shown in this catalog.

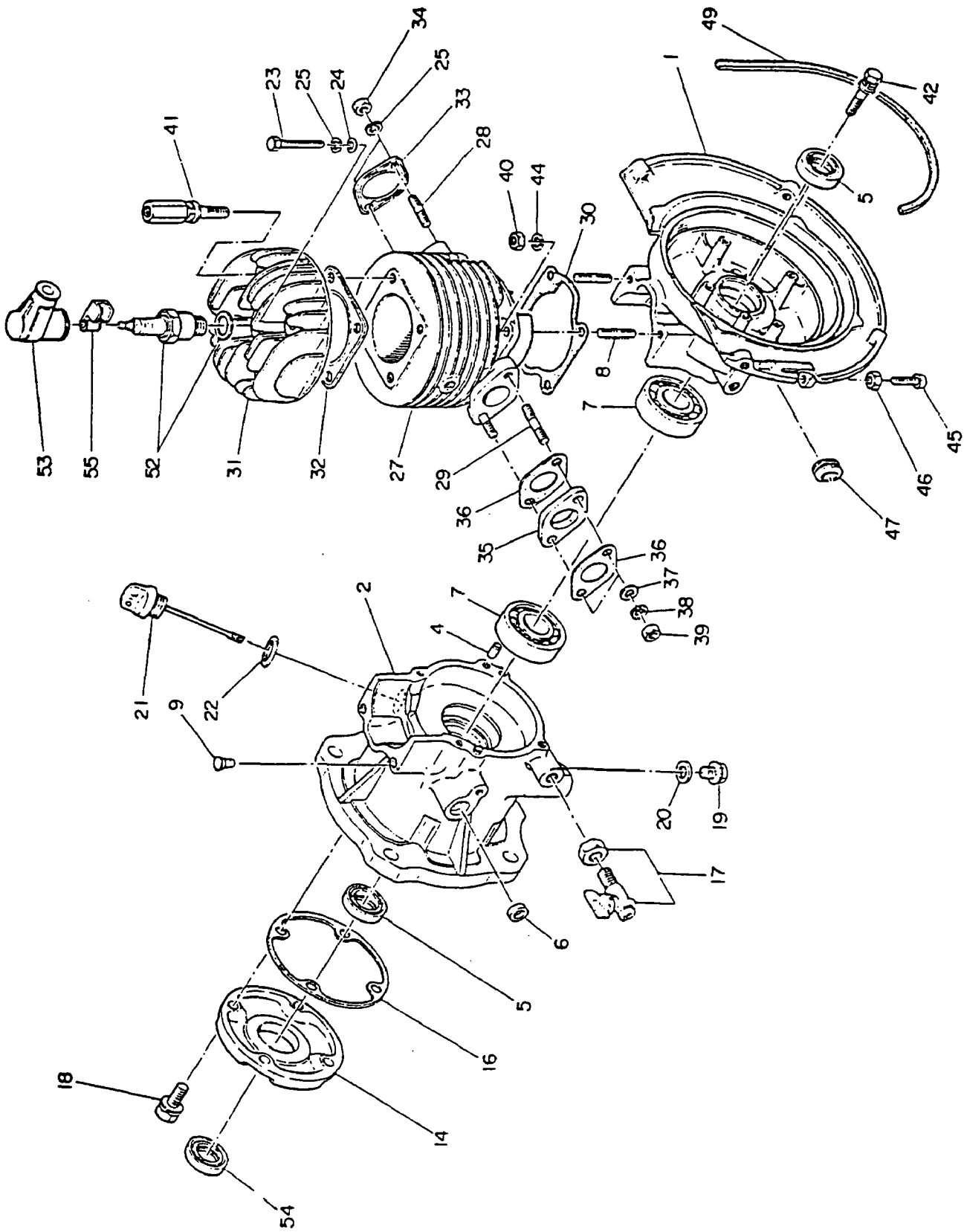
Table of Contents

| | |
|----------------------------------|---|
| Crankcase and Cylinder | 1 |
| Crankshaft and Piston | 2 |
| Governor..... | 3 |
| Blower Housing and Muffler | 4 |
| Carburetor and Air Cleaner | 5 |
| Magneto..... | 6 |
| Recoil Starter | 7 |
| Accessories | 8 |
| Parts to be Shipped Loose | 9 |

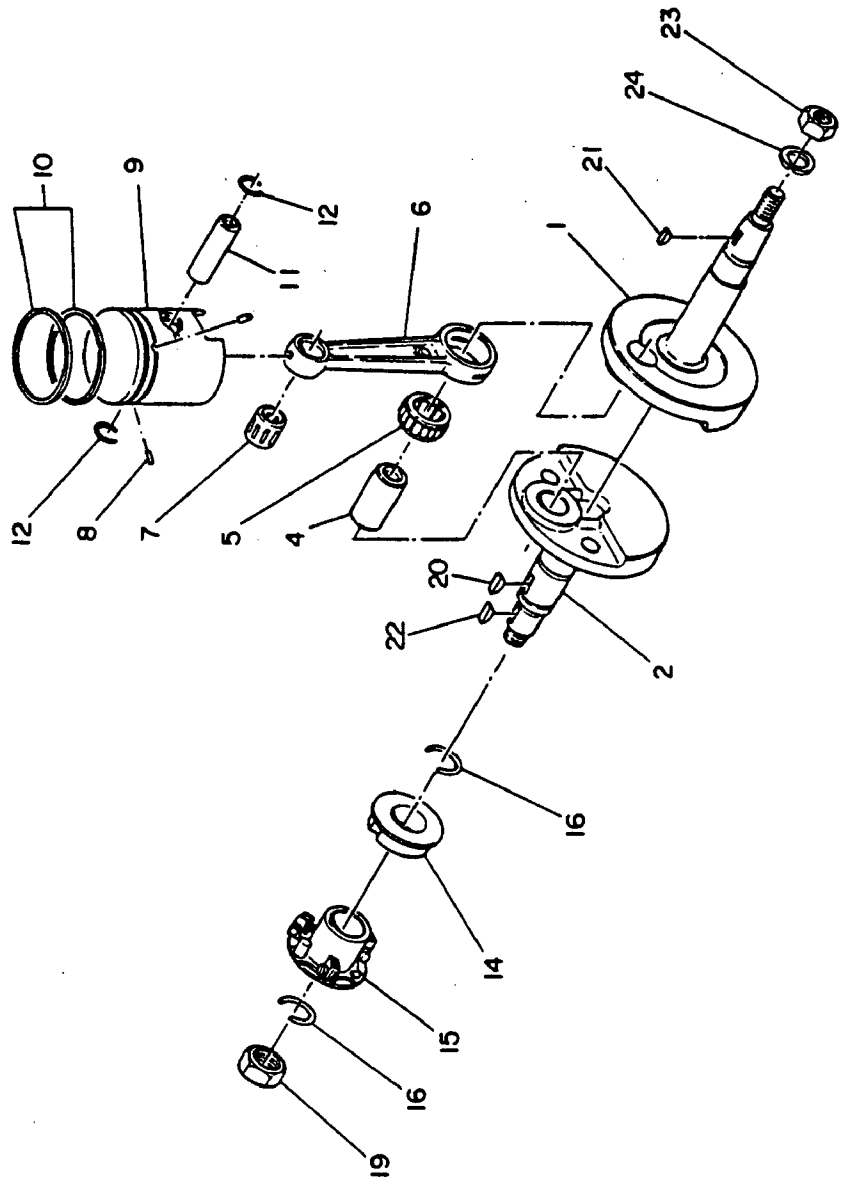


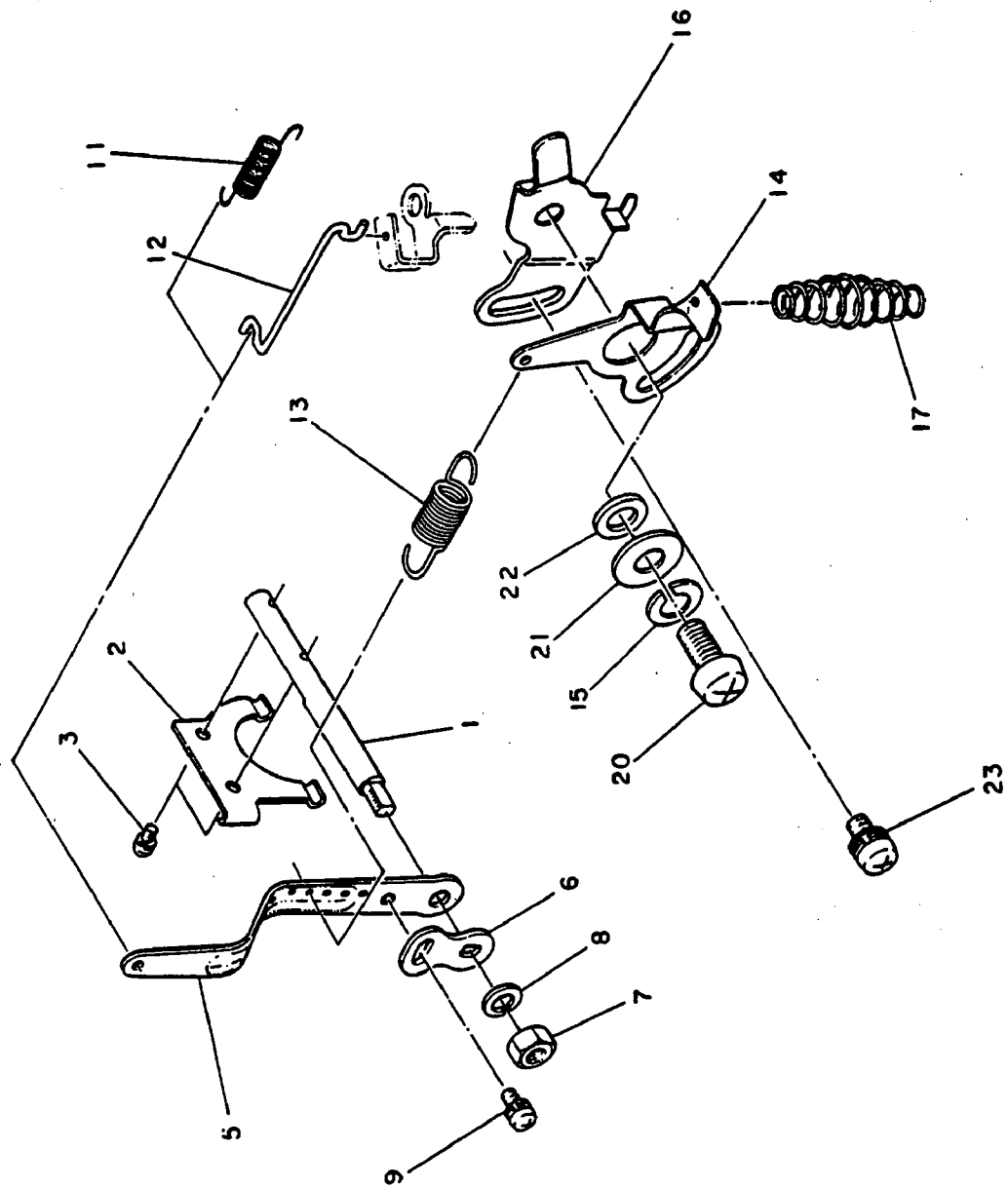
1 CRANKCASE & CYLINDER

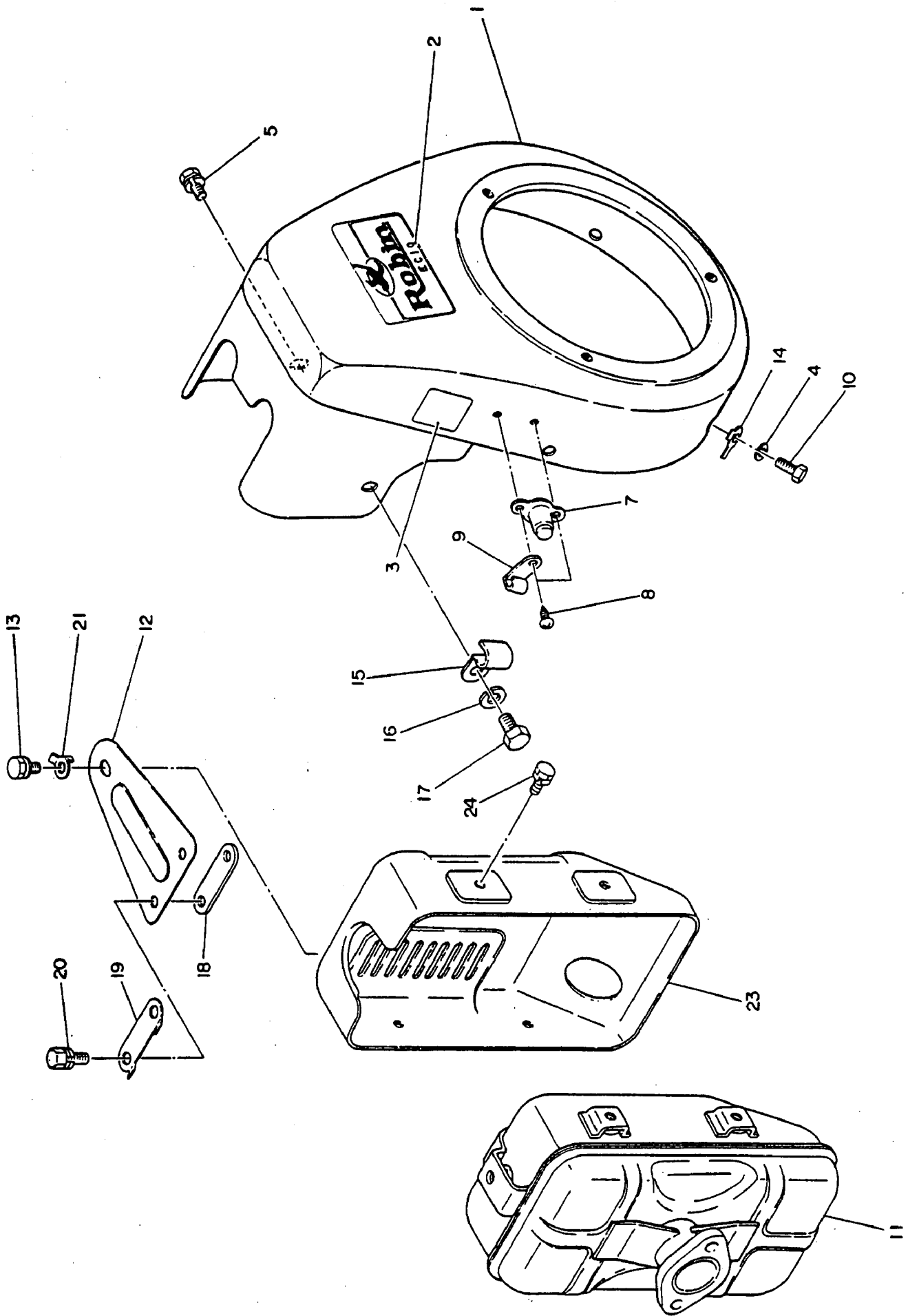
| Ref. No. | Part No. | Part Name | Q'ty | Description | FOB JAPAN IN U.S. \$ |
|----------|------------|--------------------------|------|----------------|-------------------------|
| 1 | 1061070101 | Crankcase complete | 1 | Incl. 2,4~9,42 | |
| 1 | 1061010123 | Crankcase 1 | 1 | | |
| 2 | 1061070103 | Crankcase 2 | 1 | | |
| 4 | 0310060010 | Dowel pin | 2 | | |
| 5 | 0440200010 | Oil seal | 2 | | |
| 6 | 0440080010 | Oil seal | 1 | | |
| 7 | 0600200020 | Ball bearing | 2 | | |
| 8 | 0105060090 | Stud | 4 | | |
| 9 | 0670070100 | Air breather | 1 | | |
| 14 | 1061160111 | Crankcase cover complete | 1 | Incl. 54 | |
| 16 | 1061500203 | Gasket (case cover) | 1 | | |
| 17 | 0643000100 | Drain cock | 1 | | |
| 18 | 0011406160 | Bolt & washer ass'y | 4 | | |
| 19 | 0401080010 | Plug | 1 | | |
| 20 | 0210080010 | Gasket | 1 | | |
| 21 | 1066360601 | Oil gauge complete | 1 | | |
| 22 | 0210160010 | Gasket | 1 | | |
| 23 | 0103080010 | Rolt | 2 | | |
| 24 | 0031008000 | Washer | 2 | | |
| 25 | 0032008000 | Spring washer | 4 | | |
| 27 | 1061240501 | Cylinder complete | 1 | Incl. 28,29 | |
| 28 | 0013108301 | Stud | 2 | | |
| 29 | 0013106301 | Stud | 2 | | |
| 30 | 1061500123 | Gasket (cylinder) | 1 | | |
| 31 | 1061300113 | Cylinder head | 1 | | |



EC10, I

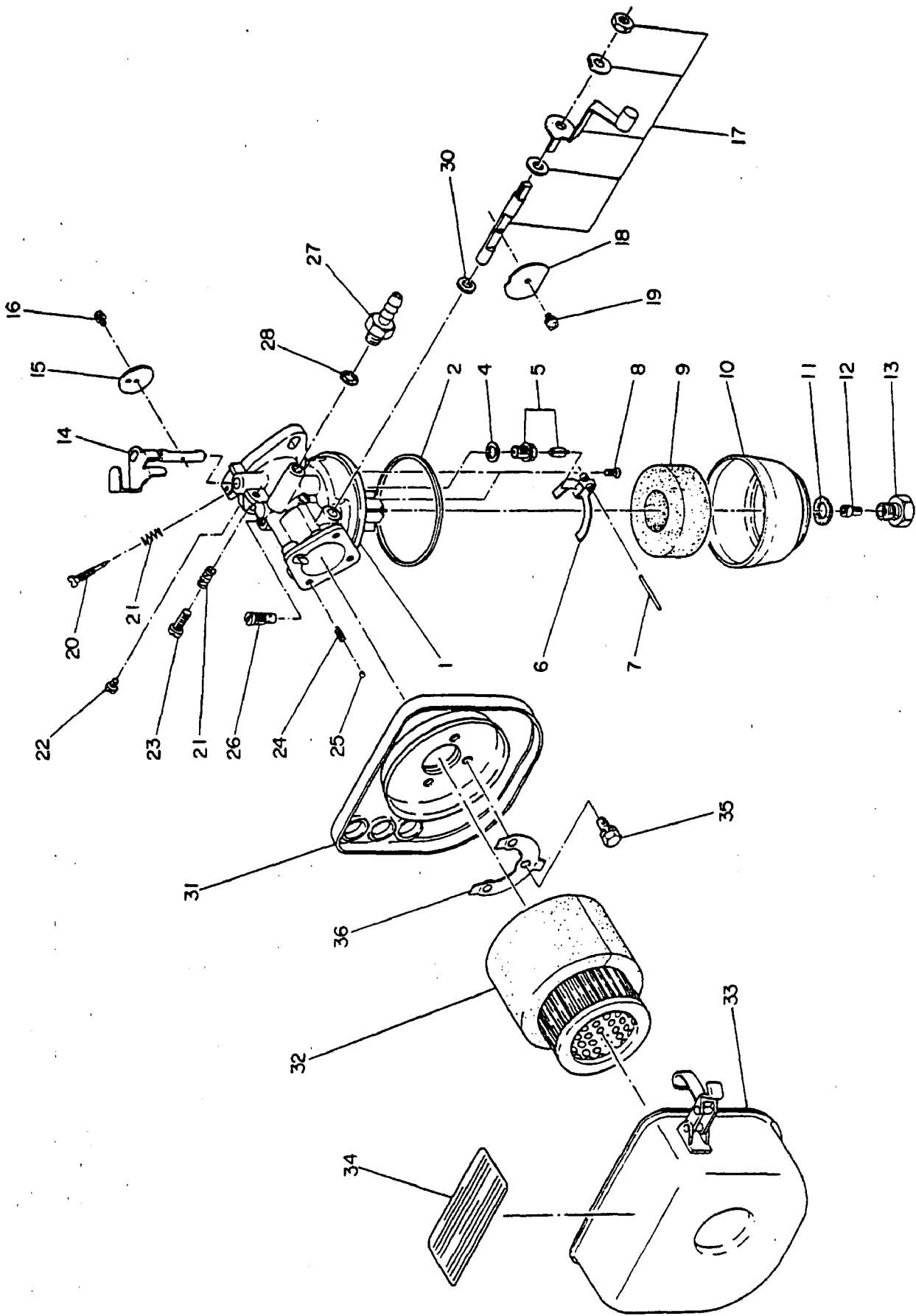






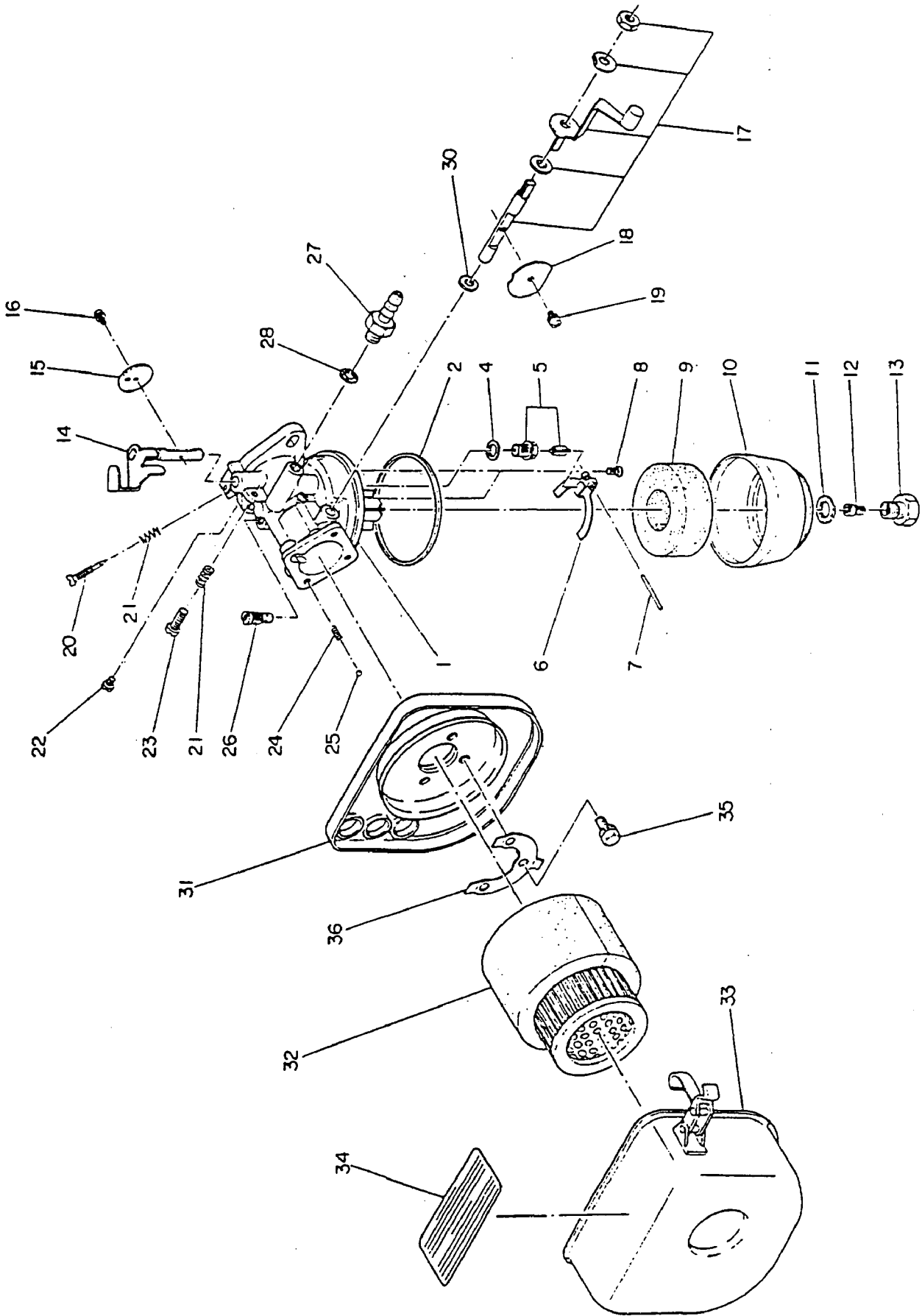
BLOWER HOUSING & MUFFLER

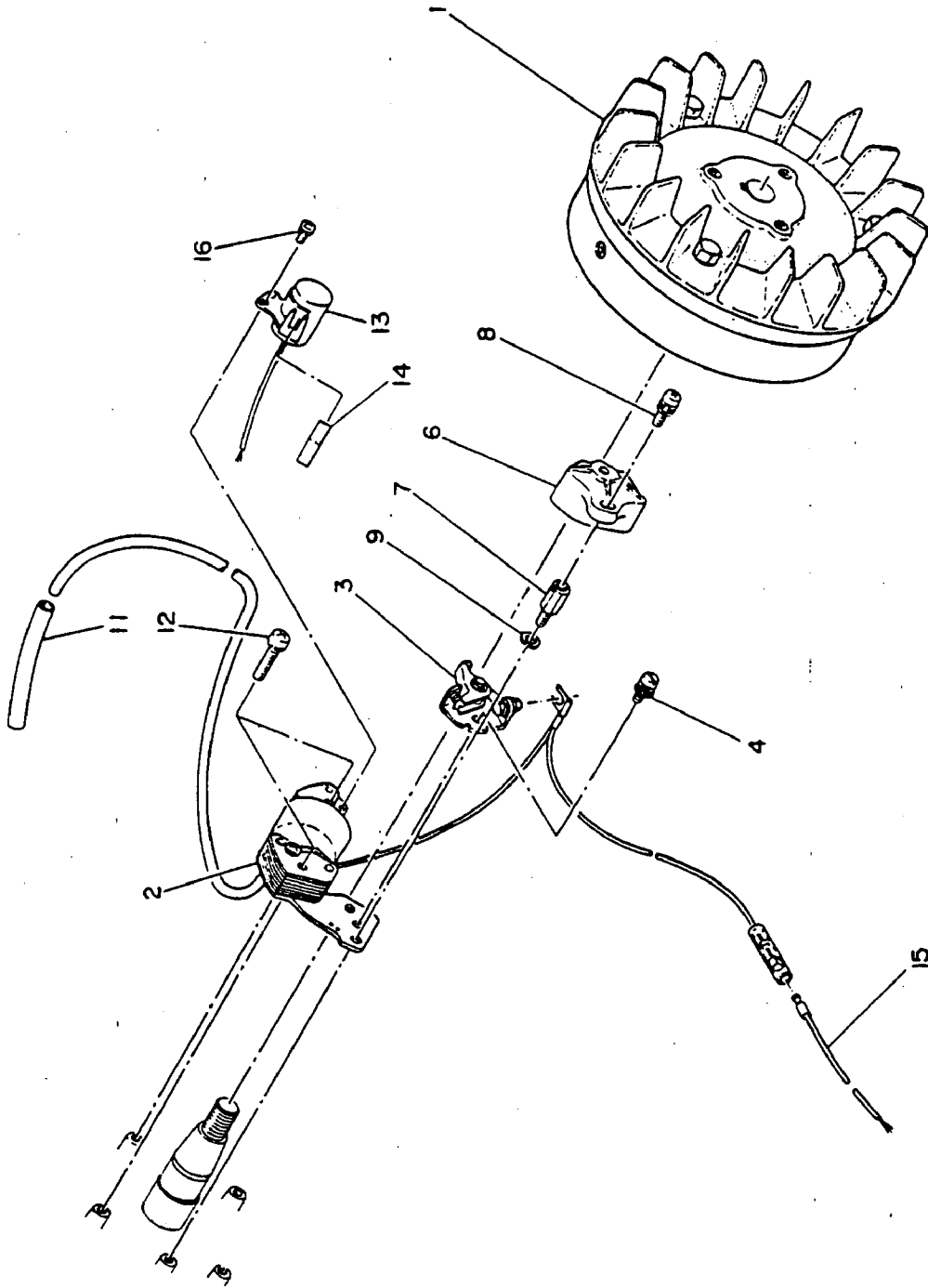
| Rel No. | Part No. | Part Name | Q'ty | Description | FOB JAPAN IN U.S.\$ |
|---------|------------|-------------------------|------|----------------------|------------------------|
| 1 | 1065182211 | Blower housing complete | 1 | Incl. 2,3 | |
| 1 | 1065182301 | Blower housing complete | 1 | Incl. 2,3 For export | |
| 2 | 1069170603 | Label (trade mark) | 1 | | |
| 3 | 1069180113 | Label (engine name) | 1 | | |
| 3 | 1069181123 | Label (engine name) | 1 | For export | |
| 4 | 0032006000 | Spring washer | 4 | | |
| 5 | 0011006120 | Bolt & washer ass'y | 1 | | |
| 7 | 0662000011 | Stop button | 1 | | |
| 8 | 0150040010 | Tapping screw | 2 | | |
| 9 | 0566030010 | Clamp | 1 | | |
| 10 | 0016606120 | Bolt | 4 | | |
| 11 | 1063011631 | Muffler complete | 1 | | |
| 12 | 1063560131 | Bracket (muffler) | 1 | | |
| 13 | 0011308160 | Bolt & washer ass'y | 1 | | |
| 14 | 0205060010 | Lock washer | 4 | | |
| 15 | 1067501701 | Clamp complete | 1 | | |
| 16 | 0032008000 | Spring washer | 1 | | |
| 17 | 0016508120 | Bolt | 1 | | |
| 18 | 1063530201 | Spacer | 1 | | |
| 19 | 1056510121 | Lock washer (tank) | 1 | | |
| 20 | 0011308160 | Bolt & washer ass'y | 2 | | |
| 21 | 0205080011 | Lock washer | 1 | | |
| 23 | 1063425121 | Muffler cover complete | 1 | | |
| 24 | 0011606100 | Bolt & washer ass'y | 4 | | |

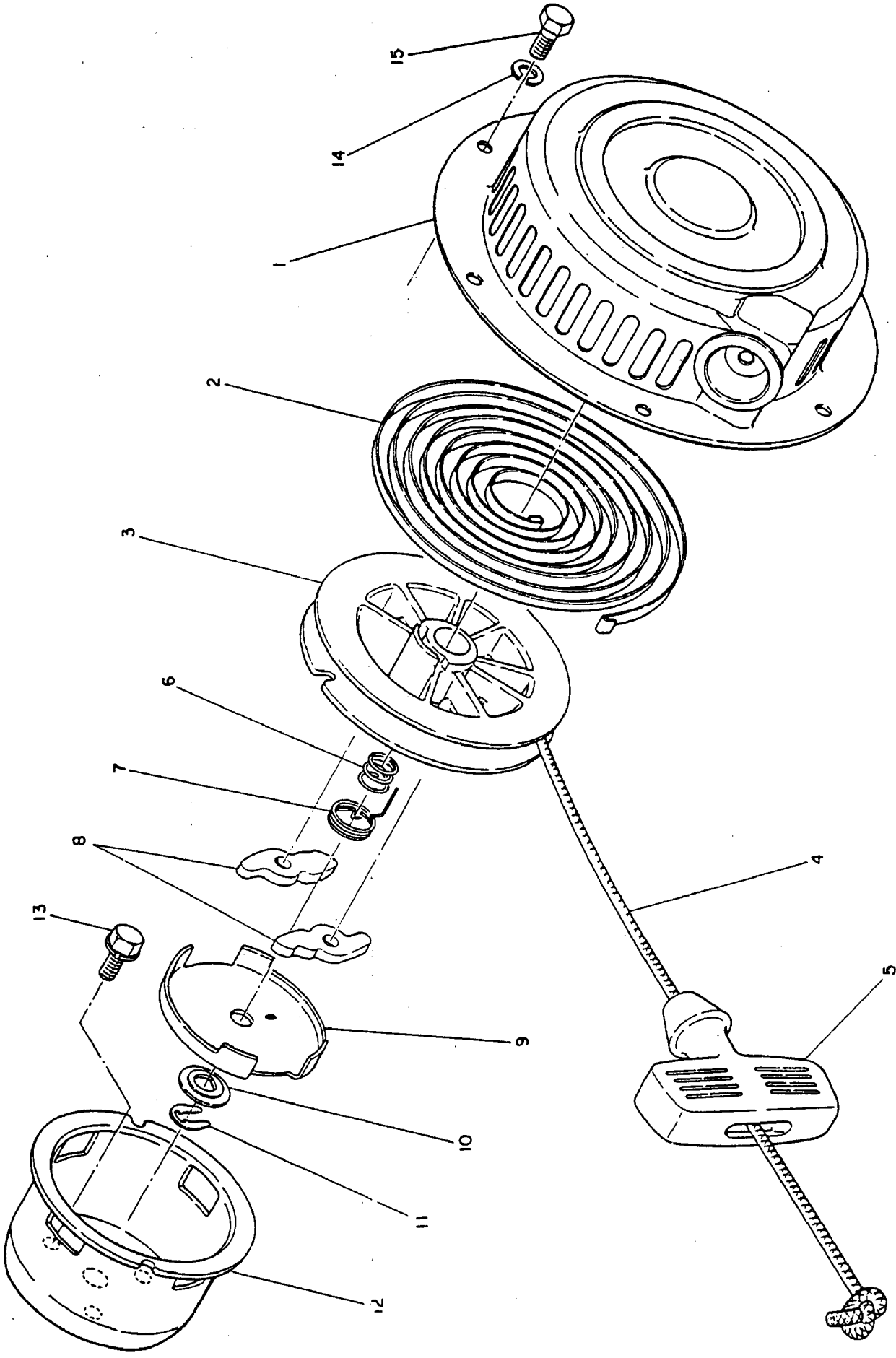


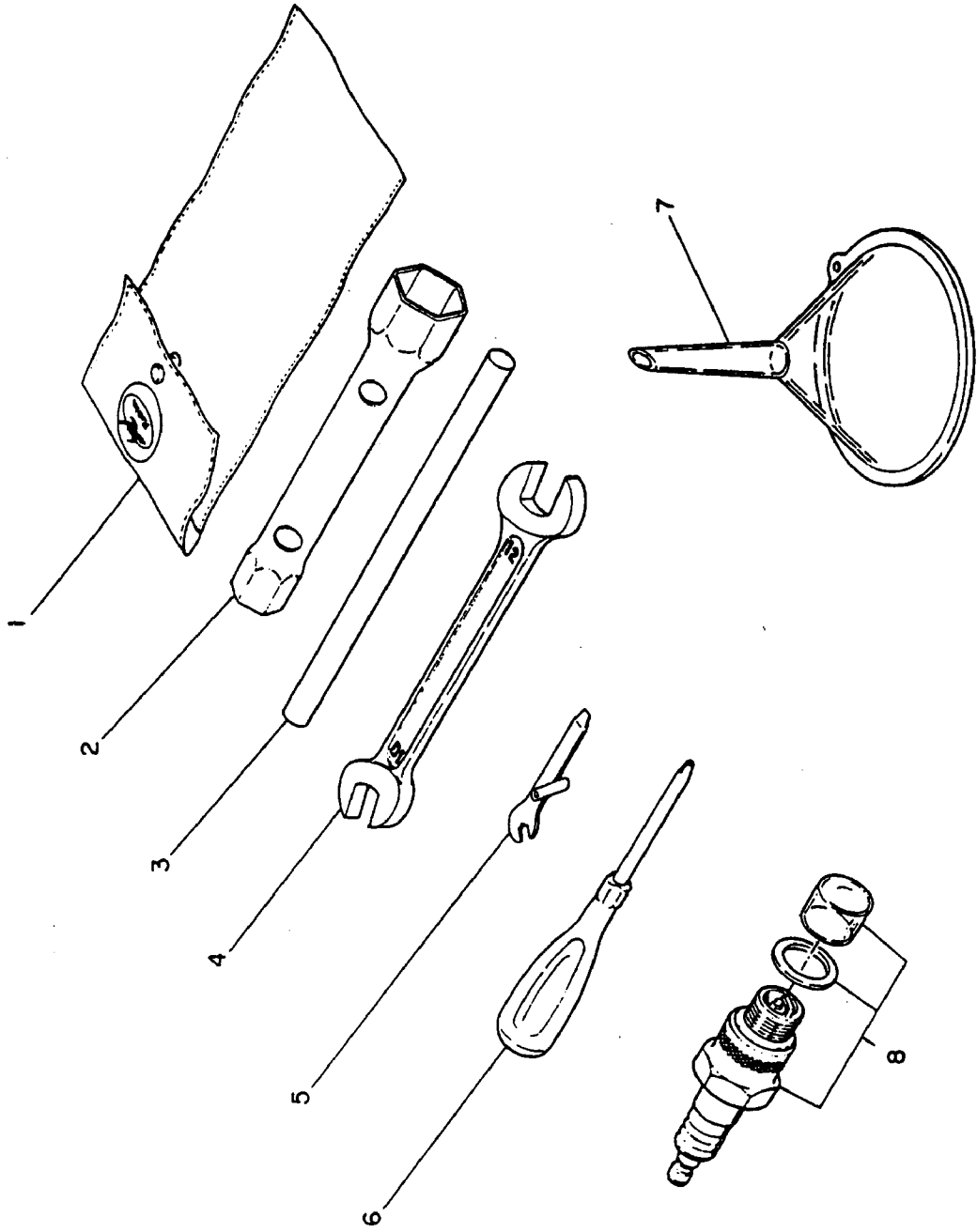
CARBURETOR & AIR CLEANER

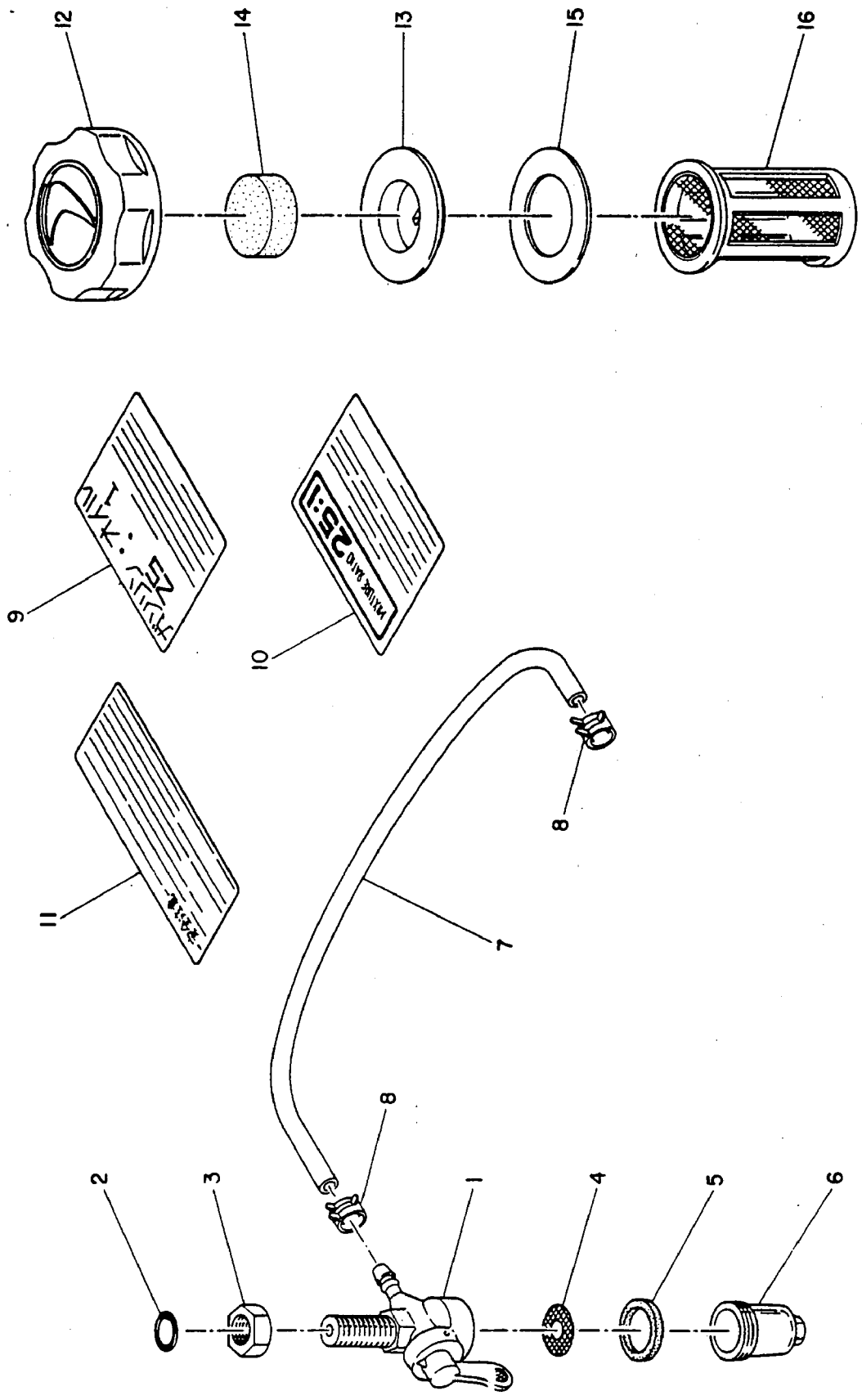
| Ref. No. | Part No. | Part Name | Q'ty | Description | FOR JAPAN IN U.S. \$ |
|----------|------------|-------------------------|------|---------------|-------------------------|
| 1 | 1066251400 | Carburetor ass'y | 1 | Incl. 2~26,30 | |
| 2 | 1066254708 | Packing (float chamber) | 1 | | |
| 4 | 1066238108 | Packing | 1 | | |
| 5 | 1286250008 | Needle valve (1.5 dia) | 1 | | |
| 6 | 1066251108 | Float arm | 1 | | |
| 7 | 1066251608 | Pin (float) | 1 | | |
| 8 | 1306235808 | Screw | 1 | | |
| 9 | 1066250808 | Float | 1 | | |
| 10 | 1066238908 | Float chamber | 1 | | |
| 11 | 2066243108 | Packing (main jet) | 1 | | |
| 12 | 2076240308 | Reverse main jet | 1 | | |
| 13 | 2066235008 | Guide holder | 1 | | |
| 14 | 1066253408 | Shaft ass'y (throttle) | 1 | | |
| 15 | 1066253808 | Throttle valve | 1 | | |
| 16 | 2096235108 | Screw & washer | 1 | | |
| 17 | 1066255308 | Shaft ass'y (choke) | 1 | | |
| 18 | 1066252708 | Choke valve | 1 | | |
| 19 | 2096235108 | Screw & washer | 1 | | |
| 20 | 1066243608 | Pilot screw | 1 | | |
| 21 | 2066244608 | Spring | 2 | | |
| 22 | 1066235708 | Guide screw | 1 | | |
| 23 | 1066235808 | Screw | 1 | | |
| 24 | 2096244608 | Choke spring | 1 | | |
| 25 | 2096235308 | Steel ball | 1 | | |
| 26 | 2076242008 | Pilot jet | 1 | | |











NOTES



Robin America, Inc.

940 Lively Blvd., Wood Dale, IL 60191 • Tel: (708) 350-8200 • Fax: (708) 350-8212