

Robin Industrial Engines®

PARTS MANUAL

Model

EY08

1193P201



ROBIN AMERICA, INC.
ROBIN TO WISCONSIN ROBIN
ENGINE MODEL CROSS REFERENCE LIST

ROBIN

WISCONSIN ROBIN

SIDE VALVE

EY08	W1-080
EY15	W1-145
EY15V	W1-145V
EY20	W1-185
EY20V	W1-185V
EY23	W1-230
EY28	W1-280
EY35	W1-340
EY40	W1-390
EY45V	W1-450V
EY21	EY21W
EY44	EY44W
EY18-3	EY18-3W
EY25	EY25W
EY27	EY27W

OVERHEAD VALVE

EH11	WO1-115
EH12	WO1-120
EH15	WO1-150
EH17	WO1-170
EH21	WO1-210
EH25	WO1-250
EH30	WO1-300
EH30V	WO1-300V
EH34	WO1-340
EH34V	WO1-340V
EH43V	WO1-430V

TWO CYCLE

EC13V	WT1-125V
-------	----------

DIESEL

DY23	WRD1-230
DY27	WRD1-270
DY30	WRD1-300
DY35	WRD1-350
DY41	WRD1-410

HOW TO USE THIS PARTS CATALOG

All Robin Industrial Engines have a Production number to identify their specification. The Production number is a 15 digit, alphanumeric number. The first 11 digits are classified as the specification number of the engine. The last 4 digits are the manufacturing code. An example is shown below:

(PRODUCTION NUMBER)	
<u>EY400DD1650</u>	<u>XXXX</u>
(SPECIFICATION #)	(CODE)

All 15 digit production numbers will be located in one of the following locations depending upon the engine model. The number will either be stamped onto a cylinder baffle or attached to one of the other locations by an easily visible label.

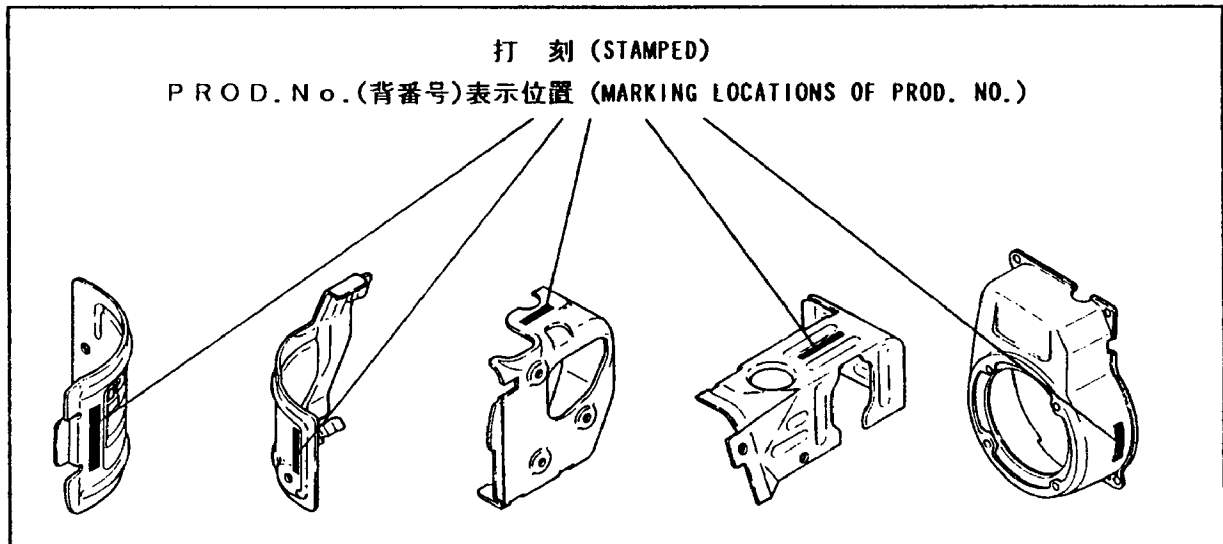
MARKING LOCATIONS OF PRODUCTION NUMBER

PROD.No.

How to check PROD. No.

PROD.No.(背番号)は、下記により確認して下さい。

Check PROD. No. as illustrated below.



PROD.No.(背番号)15桁は、シリンダーバッフル上に打刻、又はブローハウジングなど見易い位置にラベルの貼付など、いずれかで表示されています。

PROD.No. with 15 characters is marked either by stamping on the cylinder baffle or by sticking label to easily visible locations such as on the blower housing.

PROD.No.(背番号)

表示例

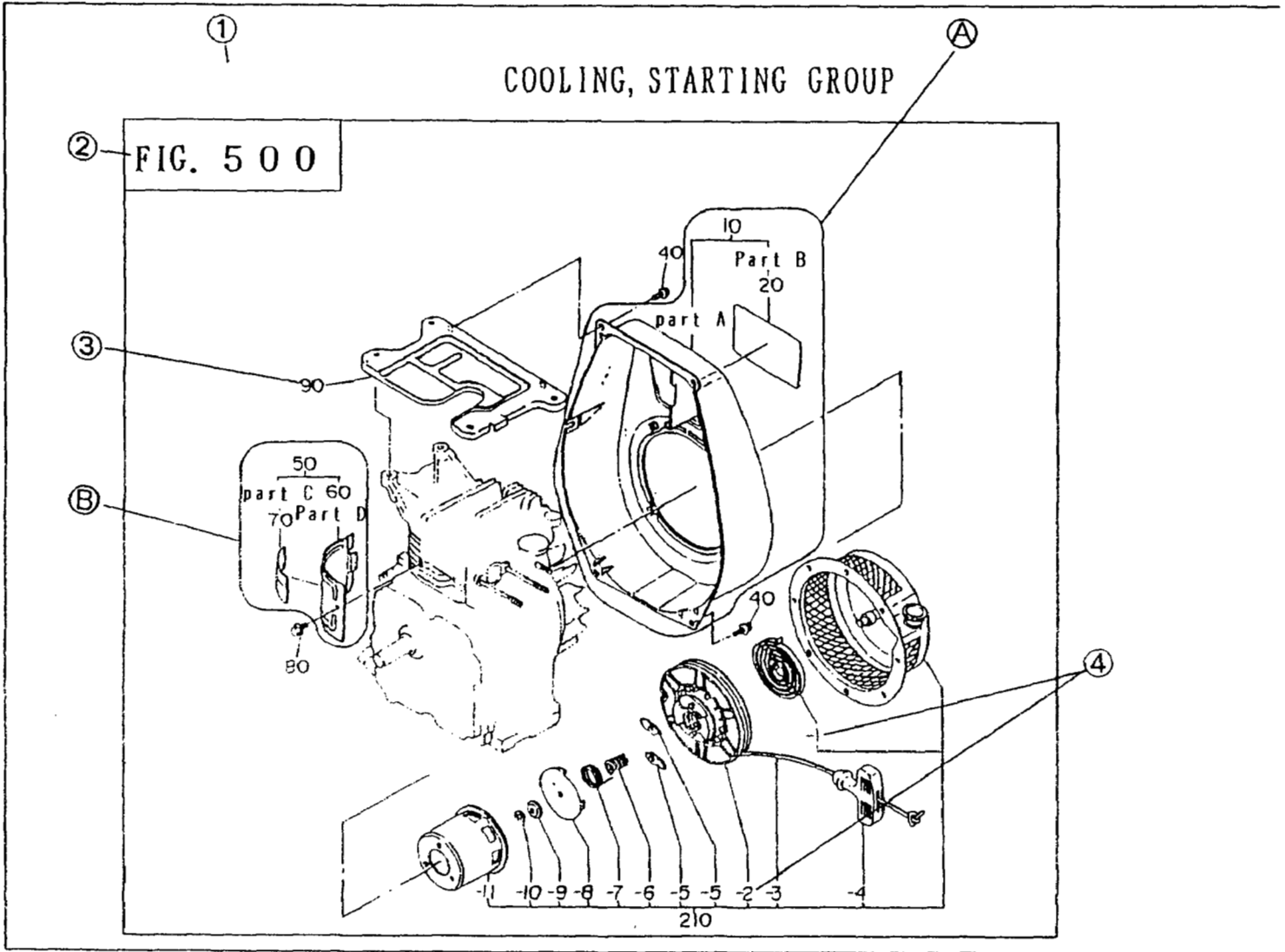
Marking example

PROD.No.○○△△□□□□□□××××

PROD.No.○○△△□□□□□□

××××

How to find the part of your need



NOTE: Some of the parts shown may be somewhat different from their actual shape and location. The illustrations of this catalog are intended to assist in ordering the correct part(s).

[TERMS]

(1) Group..... Parts are classified into functional groups. Refer to the group index for specific groups.

(2) Fig. No.Indicates illustration number and corresponds to the FIG. NO. in the list.

(3) Ref. No. Corresponds to Ref. No. in parts list.

Example A.... The part indicated by Ref. No. 10 consists of part A and B. Part A is available either in the form of an assembly, Ref. No. 10(AY), or as a complete unit, A (CP). Part B is available as a part by itself.

Example B.....Parts C and D are available either as an assembly, Ref. No. 50(AY) or as a complete unit, (CP). Both parts are available as a part by itself.

(4) Sub-divided Ref. No.....Refers to a separate part within a group that is available as an independent part.

① ————— ⑥ ⑦ ⑧ ⑨ ⑩
COOLING, STARTING GROUP

REF NO.	部品番号 PART NUMBER	部品名称 PART NAME	数量 QTY	備 考 RE M A R K S	管理番号 CODE NO. FROM-TO	小売単価 UNIT PRICE	FIG. NO.
③ 10	234-51201-01	ブロワ-ハウジング CP BLOWER HOUSING CP	1	D形用 for D type	-		500 ②
	234-51101-01	ブロワ-ハウジング CP BLOWER HOUSING CP	1	B形用 for B type	-		500
20	234-91701-03	ラベル(トレード マーク) LABEL(TRADE MARK)	1		-		500
⑤ 50	234-52602-01	シリンダ バッフル CP CYLINDER BAFFLE CP	1	D形用 for D type	-		500
	234-52601-01	シリンダ バッフル CP CYLINDER BAFFLE CP	1	B形用 for B type	-		500 ④
60	234-52601-03	シリンダ バッフル CYLINDER BAFFLE	1		-		500
70	234-91802-03	ラベル(エンジン 名) LABEL(ENGINE NAME)	1	D形用 for D type	-		500
	234-91801-03	ラベル(エンジン 名) LABEL(ENGINE NAME)	1	B形用 for B type	-		500
80	011-00600-20	フランジ ボルト FLANGE BOLT	1		-		500
90	234-52701-23	ヘッド カバー HEAD COVER	1		0091-		500 ⑤
	234-52701-13	ヘッド カバー HEAD COVER	1		0001-0090		500
	234-52701-03	ヘッド カバー HEAD COVER	1		-0000		500
210	234-50211-00	リコイル スタート AY RECOIL STARTER AY	1		-		500
④ 1	106-50116-08	スパイラル スプリング SPIRAL SPRING	1		-		500
- 2	207-50122-18	リール CP REEL CP	1		-		500
- 3	106-50113-08	スタート ロープ STARTER ROPE	1		-		500
- 4	206-50101-08	スタート ノブ STARTER KNOB	1		-		500

(5) Part No.....Part number assigned to part used in the applicable product. Is the number to be ordered.

(6) Part Name..Brief description of part number..

(7) Quantity....Number of parts required for particular part number in applicable product.

(8) Remarks....Additional information (if applicable) required for applicable product.

(9) Code No... Indicates modification records and provides identification of the part used in the items with Production No. by referring to the Code No.

Example (C)

[-] The part has been continuously used in the applicable product regardless of Code No.

Example (D)

[0091-] Part used in the products with code number after 0091.

[0001-0091] Part used in the products with code number between 0001 - 0091.

[- 0000] Part used in the products with code number before 0000.

(10) Unit Price..Refer to Robin America published Parts Price Catalog for pricing.

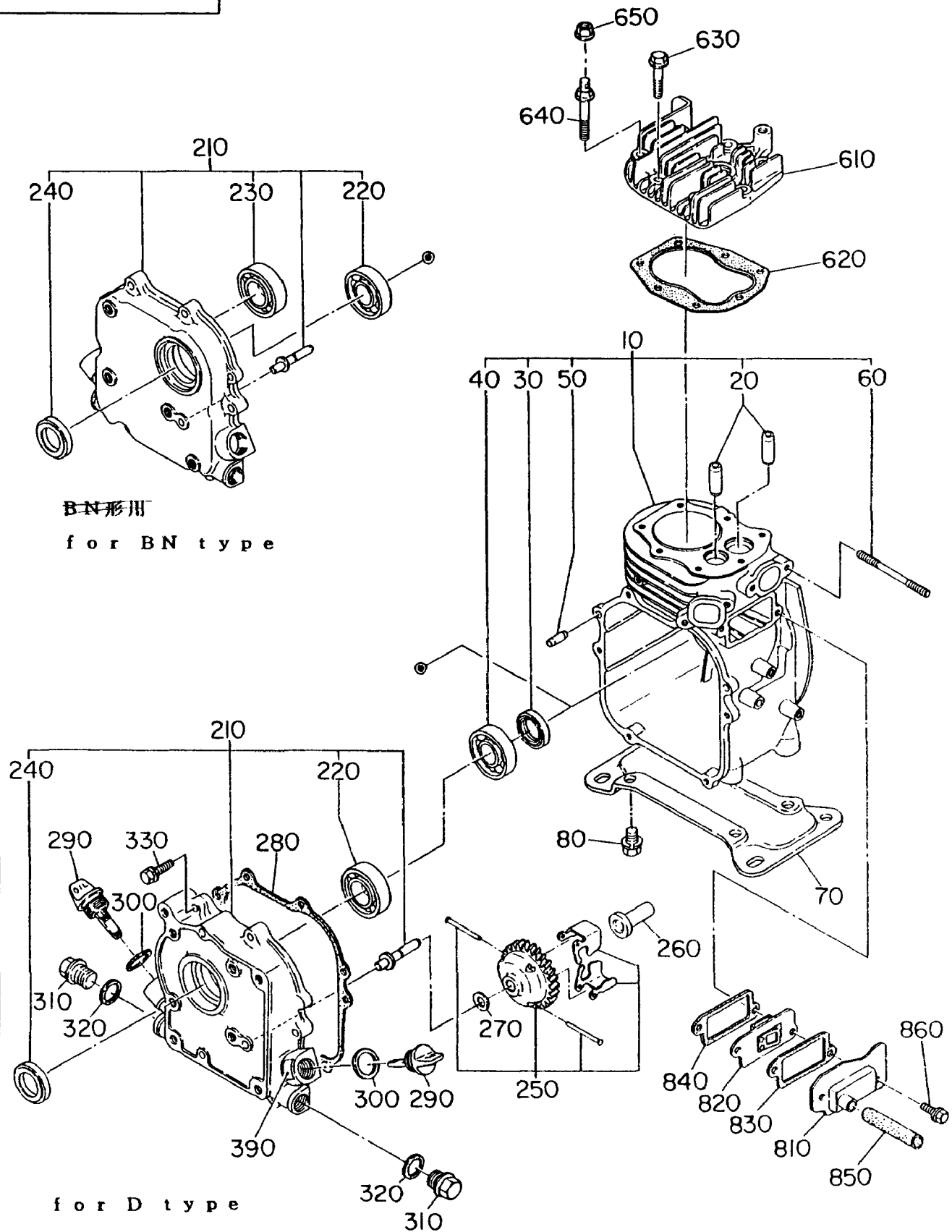
[Note] Information on parts for Engines with a Code Number before 0001 and without a Production No. stamped on the engines are available by providing the engine serial number found stamped on the crankcase of the engine.

GROUP INDEX

GROUP NAME	FIG. NO.	PAGE
CRANKCASE	100	2
CRANK, PISTON.....	200	4
INTAKE, EXHAUST.....	300	6
GOVERNOR, OPERATE	400	8
COOLING, STARTING.....	500	10
FUEL, LUBRICANT	600	12
ELECTRIC DEVICE	700	16
for OIL SENSOR	760	18

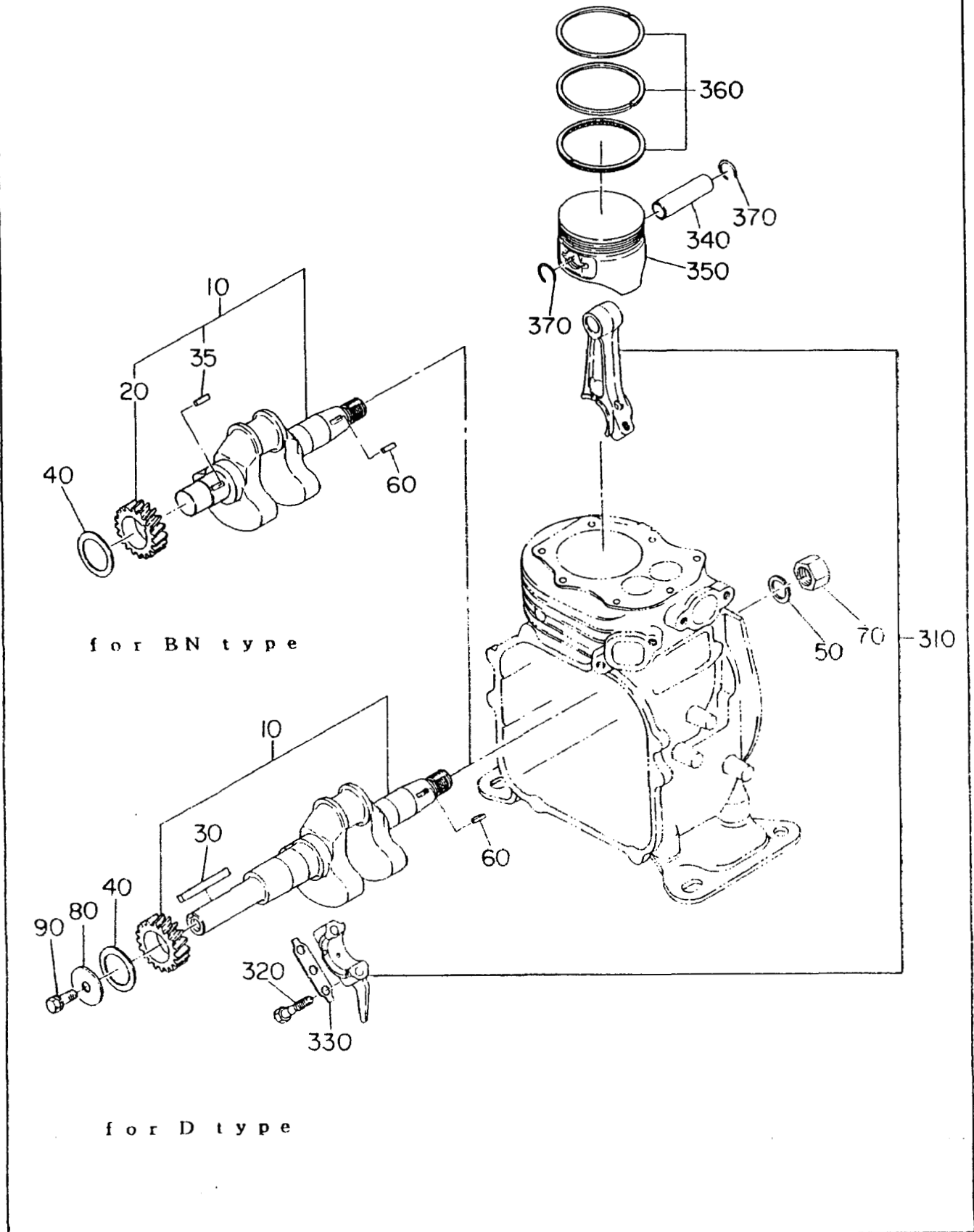
CRANKCASE GROUP

FIG. 100



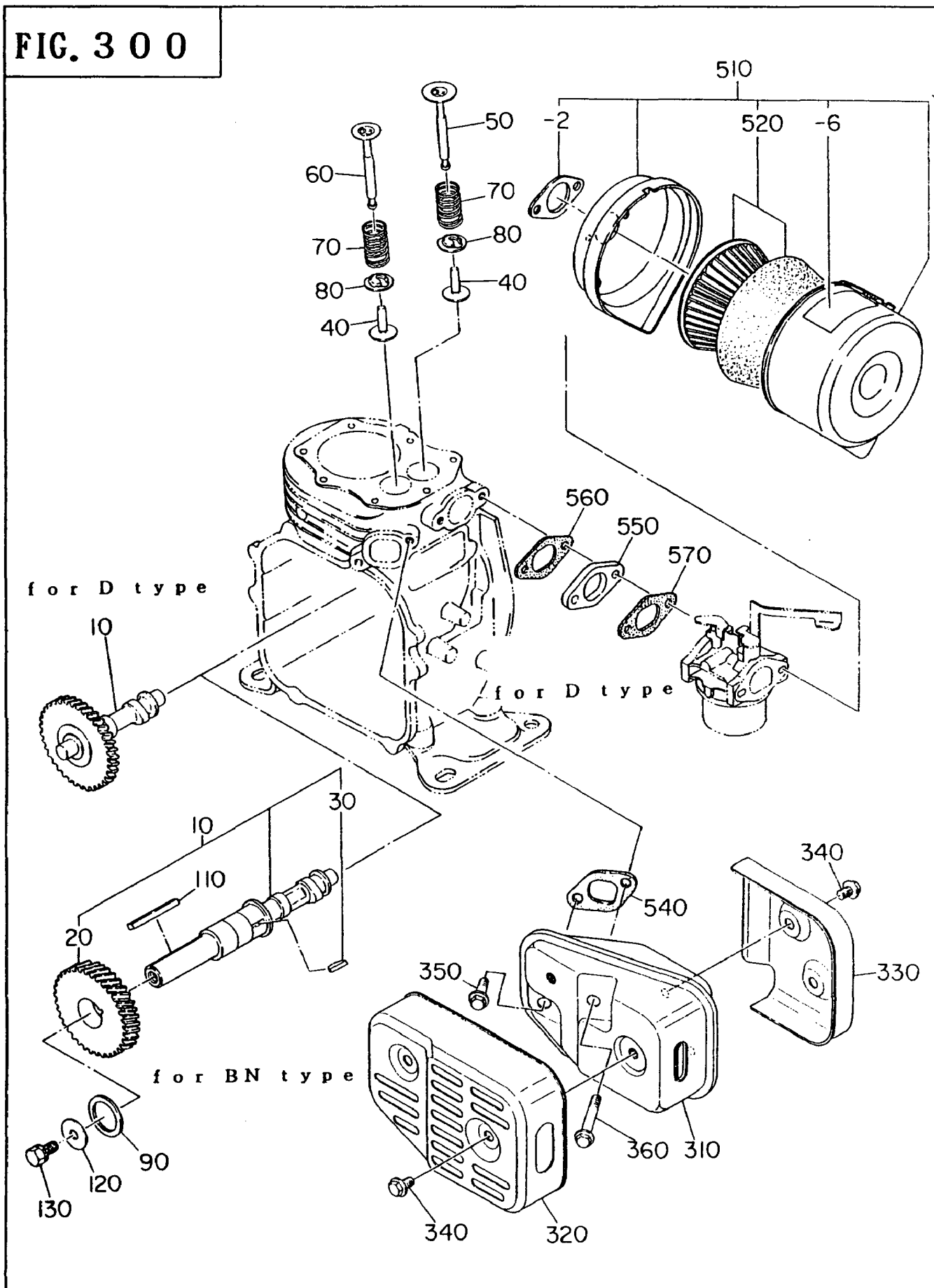
CRANK, PISTON GROUP

FIG. 2 0 0



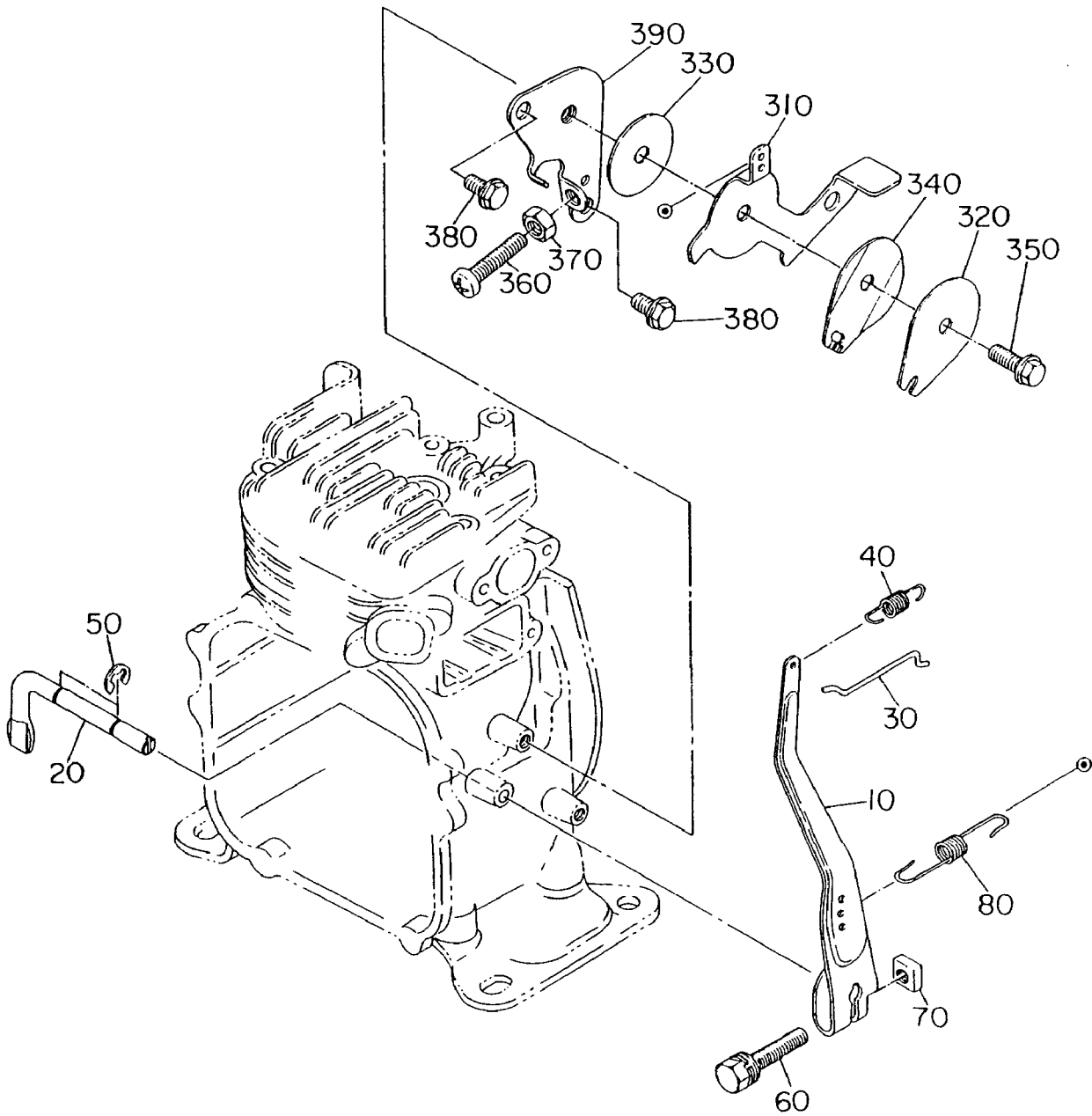
INTAKE, EXHAUST GROUP

FIG. 300



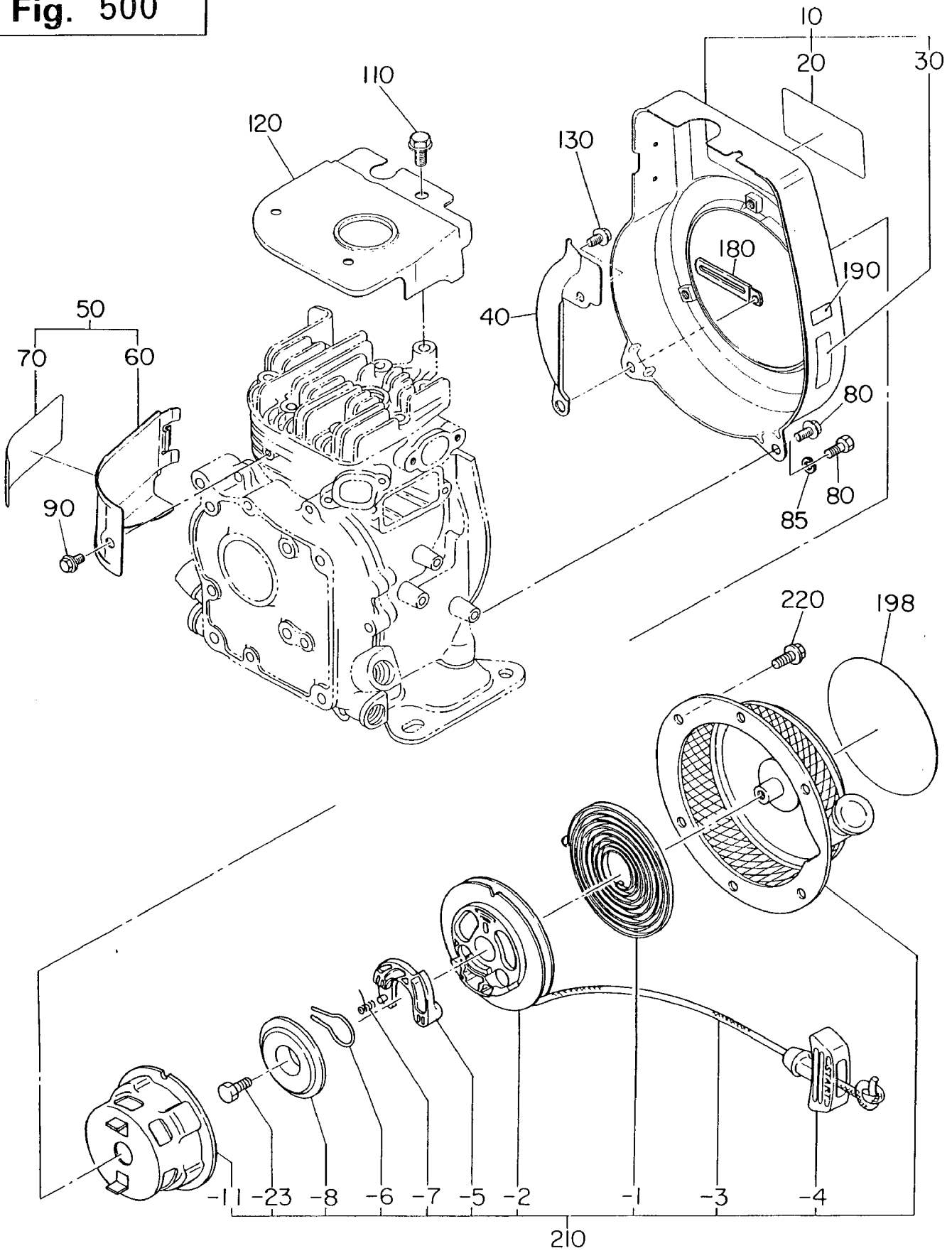
GOVERNOR, OPERATE GROUP

FIG. 400



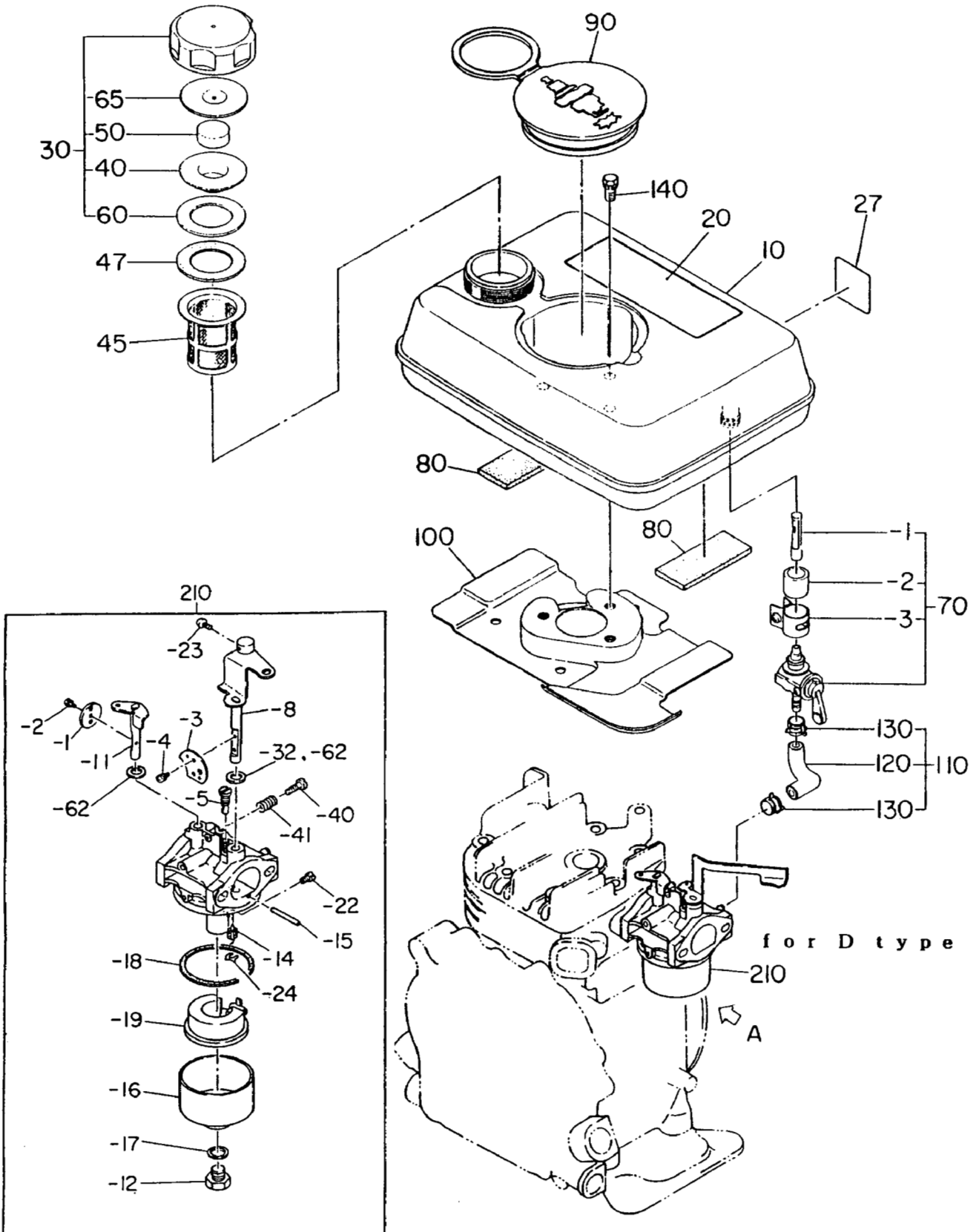
COOLING, STARTING GROUP

Fig. 500



FUEL, LUBRICANT GROUP

FIG. 600



FUEL, LUBRICANT GROUP

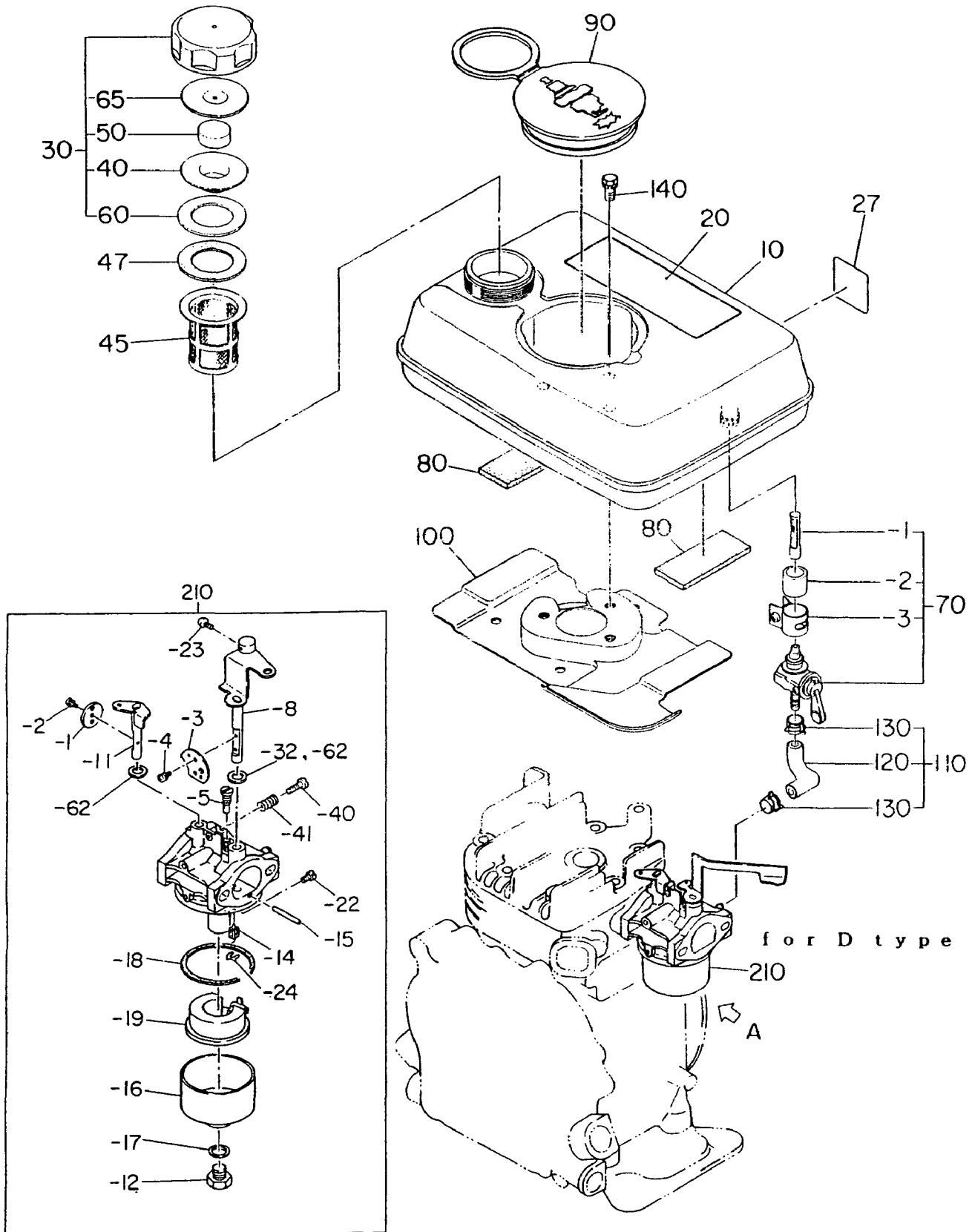
REF.	PART NUMBER	PART NAME	QTY	REMARKS	CODE NO. FROM-TO	INTERCHANGEABLE PART NUMBER	UNIT PRICE	FIG.
10	230-60115-02	FUEL TANK UN	1		-			600
26	073-20039-10	LABEL(WARNING)	1		-			600
30	043-04400-80	FUEL TANK CAP CP	1		-			600
40	043-41800-12	INNER CAP	1		-			600
45	064-14200-40	FUEL FILTER	1		-			600
47	021-33100-10	GASKET(CORK)	1		-			600
50	084-12600-20	SPONGE	1		-			600
60	021-02600-23	GASKET(TANK CAP)	1		-			600
65	023-24200-12	PARTITION PLATE	1		-			600
70	064-20044-02	FUEL STRAINER AY	1		-			600
- 21	064-20044-20	FILTER V-STD	1		-			600
- 22	064-20044-90	JYJOINT PIPE V-STD	1		-			600
- 23	064-20044-60	HOSE BAND AY V-STD	1		-			600
80	230-65501-03	FELT	2		-			600
90	230-66001-03	PLUG COVER	1		-			600
100	230-61601-01	FUEL TANK BRACKET CP	1		-			600
110	230-62606-01	FUEL PIPE CP	1		-			600
120	230-68002-03	RUBBER PIPE	1		-			600
130	056-10800-20	HOSE CLAMP	2		-			600
140	001-13061-40	BOLT & WASHER AY	3		-			600
210	230-62318-00	CARBURETOR AY	1		-			600
- 1	230-62536-08	THROTTLE VALVE	1		-			600
- 2	237-62451-08	SCREW	3		-			600
- 3	230-62525-08	CHOKE VALVE	1		-			600
- 5	209-62421-08	PILOT JET	1		-			600
- 8	230-62522-08	SHAFT ASSY(CHOKE)	1		-			600
- 9	230-62582-08	PACKIN	1		-			600
- 11	230-62532-08	SHAFT ASSY(THROTTLE)	1		-			600
- 12	129-62351-08	BOLT	1		-			600
- 14	226-62500-08	NEEDLE VALVE AY	1		-			600
- 15	214-62515-08	PIN	1		-			600
- 16	230-62550-08	FLOAT CHAMBER BODY	1		-			600
- 17	209-62345-08	INSART WASHER	1		-			600
- 18	230-62540-08	PACKING	1		-			600
- 19	230-62506-08	FLOAT ASSY	1		-			600
- 22	106-62403-08	MAIN JET	1		-			600

93/09/28

EY080YD0030 EX, R/A-STD. .

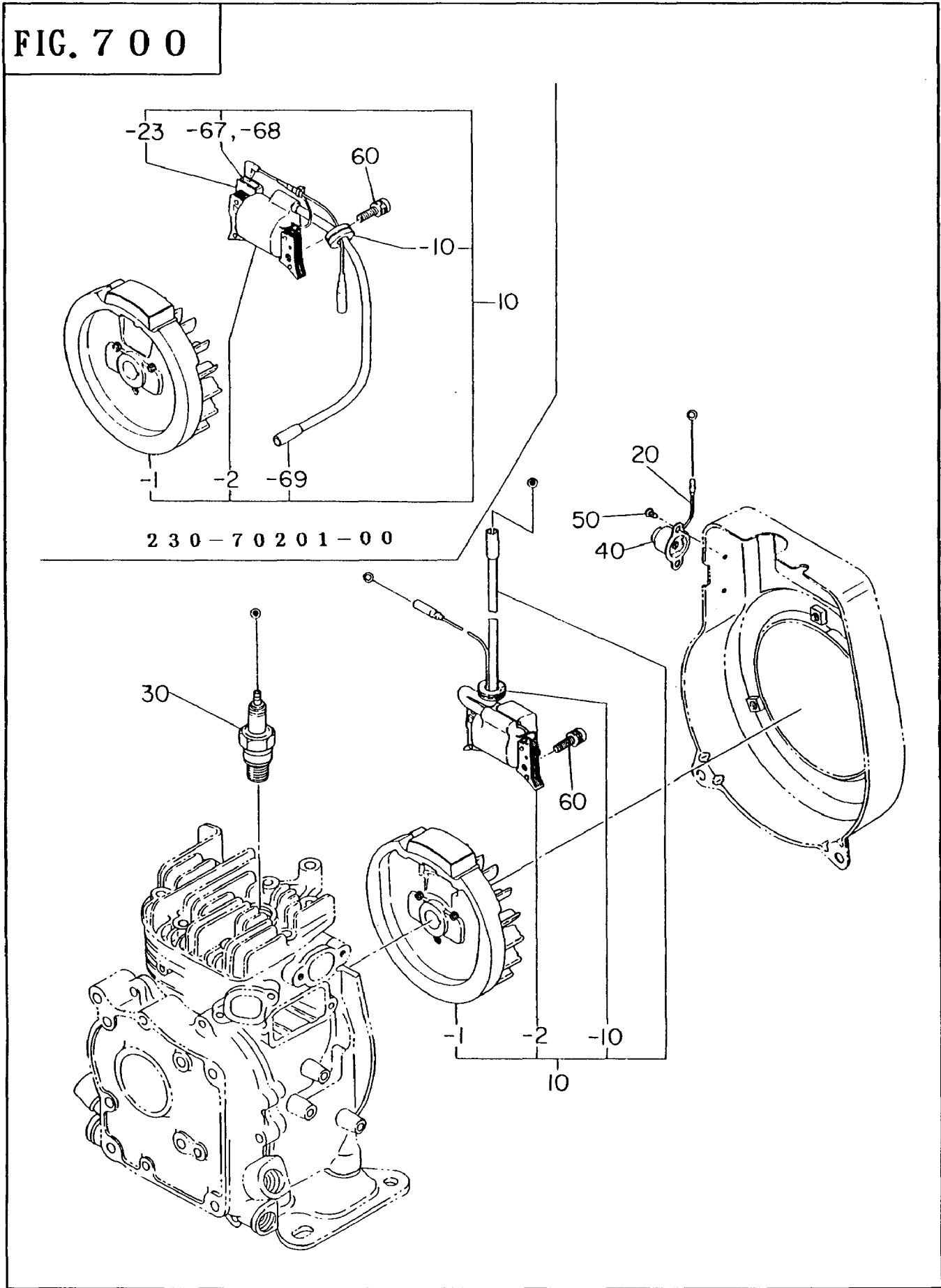
FUEL, LUBRICANT GROUP

FIG. 600



ELECTRIC DEVICE GROUP

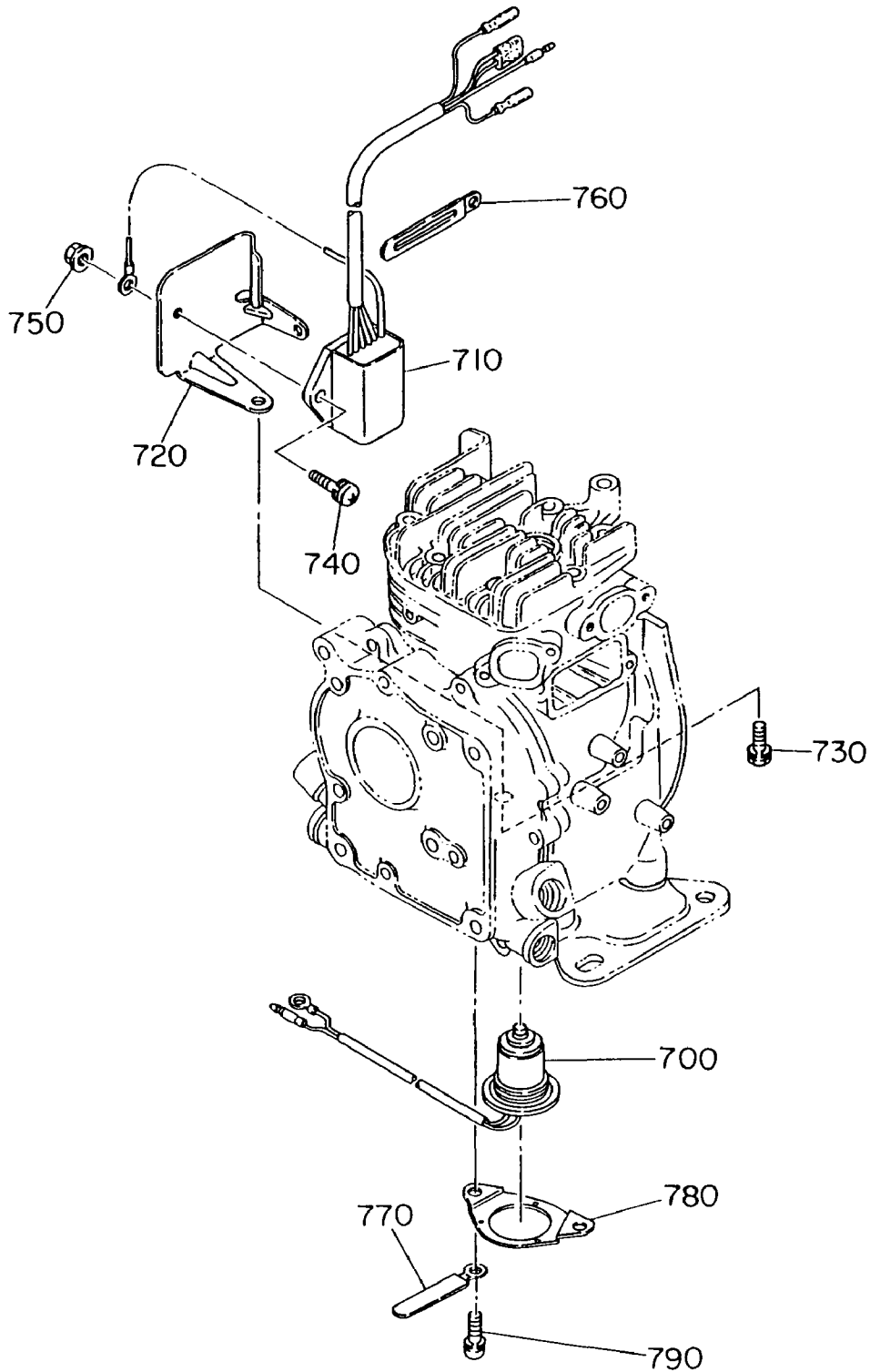
FIG. 7 0 0



ELECTRIC DEVICE GROUP

FIG. 760

オイル センサ 仕様
for OIL SENSOR



— NOTES —

— NOTES —



Robin America, Inc.

940 Lively Blvd., Wood Dale, IL 60191 • Tel: (708) 350-8200 • Fax: (708) 350-8212