

PARTS MANUAL

Model EH12

Note: This manual covers the original EH12 specifications. In 1998 the second series of the EH12 (EH12-2) was introduced. There are significant differences between these versions of the EH12. The trademark label located above the recoil designates both versions as EH12.

The full specification number located on the product label will identify the version:

Specifications: EH12**0**YDXXXX = original version = use this manual

Specifications: EH12**2**YDXXXX = second series = use manual PUB-EP5713

1193P218
Rev. 11/99

**ROBIN AMERICA, INC.
ROBIN TO WISCONSIN ROBIN
ENGINE MODEL CROSS REFERENCE LIST**

ROBIN

WISCONSIN ROBIN

SIDE VALVE

EY08	W1-080
EY15	W1-145
EY15V	W1-145V
EY20	W1-185
EY20V	W1-185V
EY23	W1-230
EY28	W1-280
EY35	W1-340
EY40	W1-390
EY45V	W1-450V
EY21	EY21W
EY44	EY44W
EY18-3	EY18-3W
EY25	EY25W
EY27	EY27W

OVERHEAD VALVE

EH11	WO1-115
EH12	WO1-120
EH15	WO1-150
EH17	WO1-170
EH21	WO1-210
EH25	WO1-250
EH30	WO1-300
EH30V	WO1-300V
EH34	WO1-340
EH34V	WO1-340V
EH43V	WO1-430V

TWO CYCLE

EC13V	WT1-125V
-------	----------

DIESEL

DY23	WRD1-230
DY27	WRD1-270
DY30	WRD1-300
DY35	WRD1-350
DY41	WRD1-410

GROUP INDEX

Group Name	Page
Crankcase Group.....	4
Crankshaft and Piston Group	6
INTAKE and EXHAUST GROUP	8
GOVERNOR, OPERATION GROUP	10
COOLING, STARTING GROUP	12
FUEL and LUBRICANT GROUP	14
ELECTRIC DEVICE GROUP	16

HOW TO USE THIS PARTS CATALOG

All Robin Industrial Engines have a Production number to identify their specification. The Production number is a 15 digit, alphanumeric number. The first 11 digits are classified as the specification number of the engine. The last 4 digits are the manufacturing code. An example is shown below:

PRODUCTION NO.

EH180V00000	XXXX
(SPECIFICATION #)	(CODE)

All 15 digit production numbers will be located on a label similar to the sample shown below. The label is located on the engine blower housing. The engine model number and serial number are also stamped into the engine block near the oil drain plug on the side opposite of the carburetor.



FIG. 1 CRANKCASE GROUP

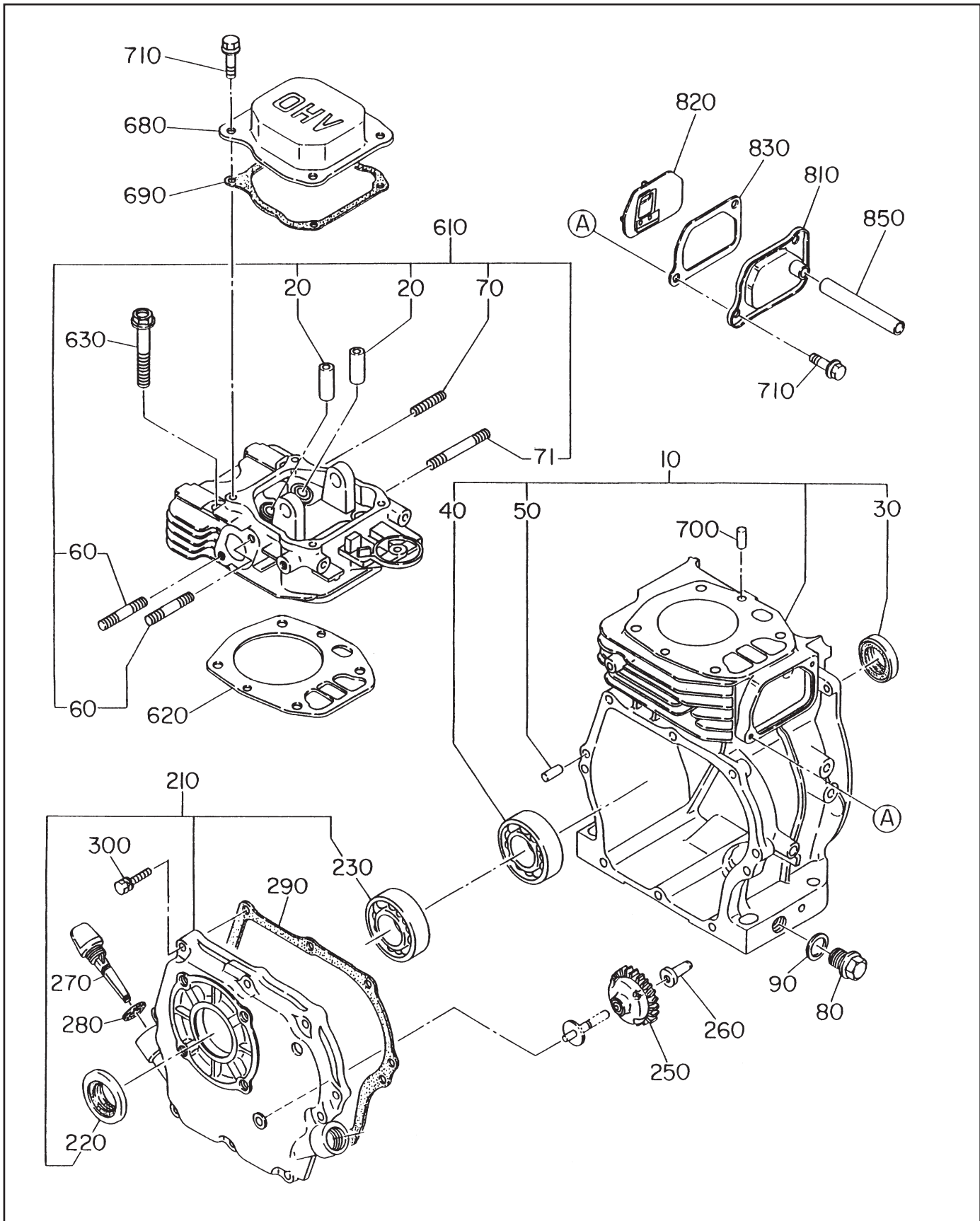


FIG. 2 CRANKSHAFT and PISTON GROUP

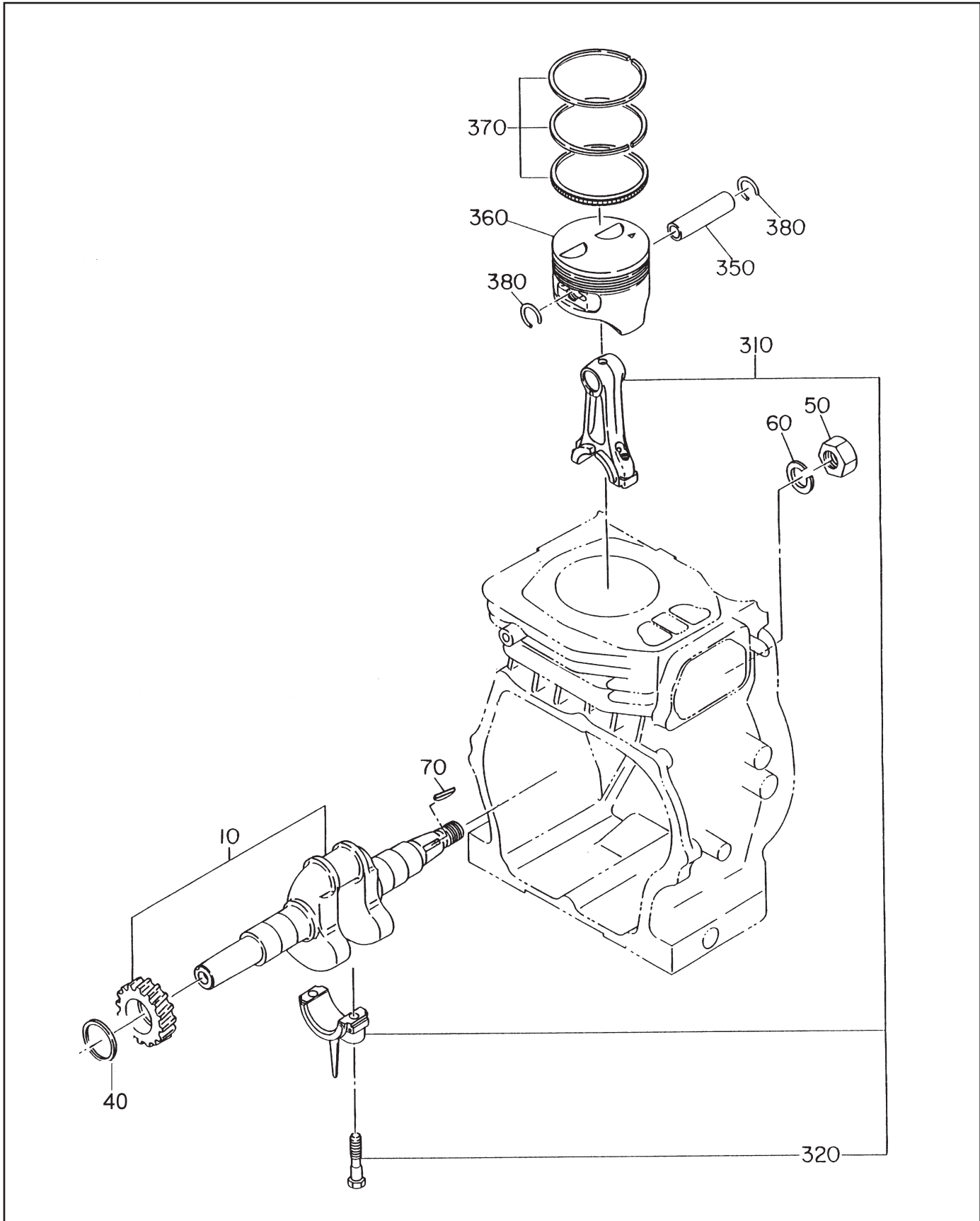


FIG. 3 INTAKE and EXHAUST GROUP

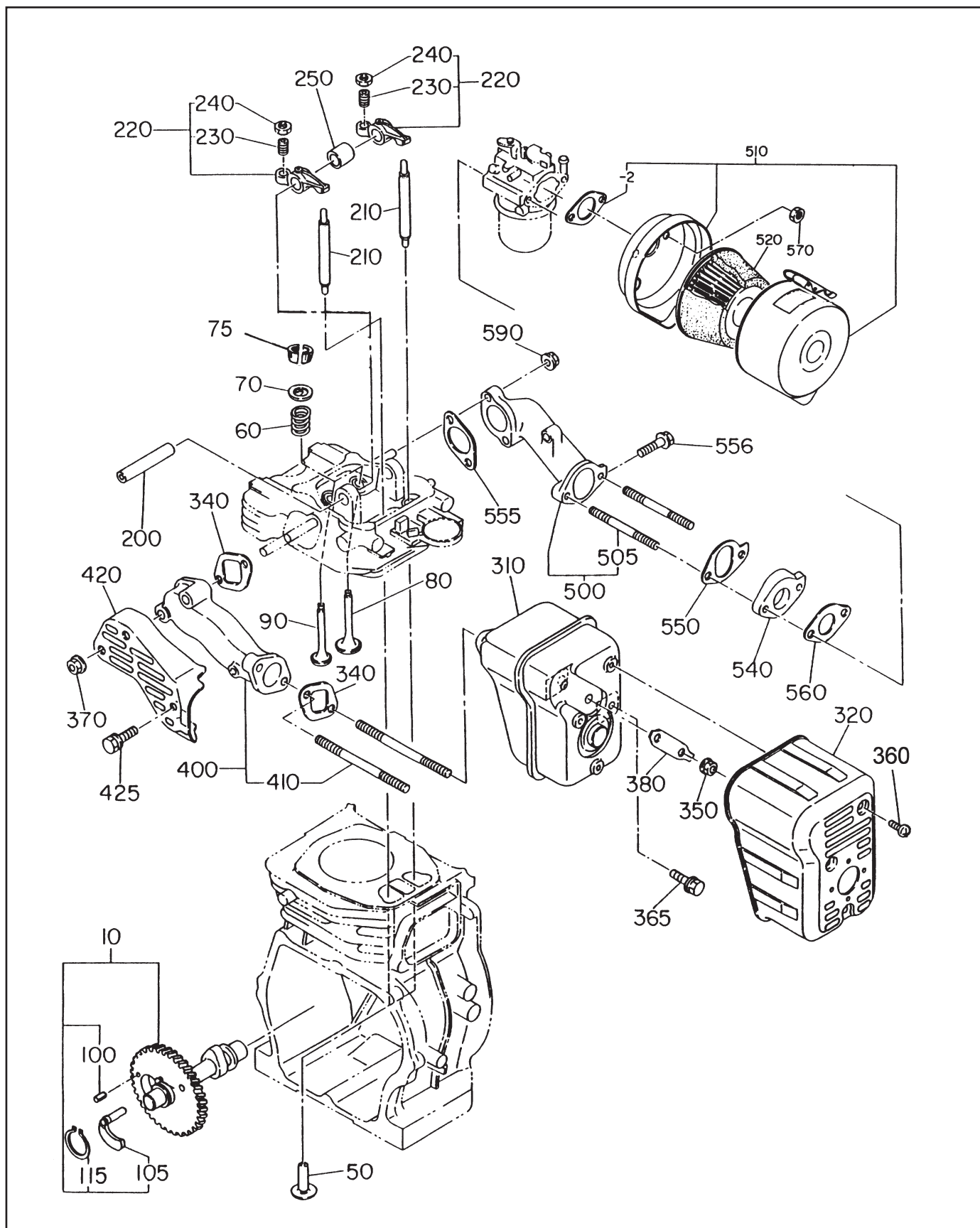


FIG. 3 INTAKE and EXHAUST GROUP

REF	PART NUMBER	DESCRIPTION	QTY	REMARKS
10	253-31701-01	Camshaft	1	
50	239-33301-03	Tappet	2	
60	253-33601-03	Valve Spring	2	From S/N 1022189
	237-33601-03	Valve Spring	2	To S/N 1022188
70	132-09KA0-40	Spring Retainer	2	From S/N 1022189
	237-33701-23	Spring Retainer	2	To S/N 1022188
75	132-10KAO-31	Valve Collet	2	From S/N 1022189
80	253-33401-03	Intake Valve	1	From S/N 1022189
	238-33401-33	Intake Valve	1	To S/N 1022188
90	253-33502-03	Exhaust Valve	1	From S/N 1022189
	238-33501-03	Exhaust Valve	1	To S/N 1022188
100	005-19041-00	Spring Pin	1	
105	227-36401-03	Release Lever	1	
115	003-15220-00	Snap Ring (Outer)	1	
200	237-35001-03	Rocker Shaft	1	
210	252-35301-01	Push Rod	2	
220	253-36101-00	Rocker Arm	2	
230	014-90800-21	Adjusting Screw	2	
240	017-00800-90	Nut	2	
250	237-36120-13	Spacer	1	
310	252-30101-01	Muffler	1	
320	253-34201-01	Muffler Cover	1	
340	253-35201-03 **	Gasket (Muffler)	2	
350	017-00800-30	Nut	2	
360	015-20500-10	Tapping Screw	3	
365	011-00600-20	Flange Bolt	2	
370	018-00800-10	Flange Nut	2	
380	236-36101-03	Lock Washer	1	
400	253-34001-01	Exhaust Pipe	1	
410	010-50804-10	Stud	2	
420	253-34801-01	Exhaust Pipe Cover	1	
500	253-33001-03	Intake Pipe	1	
505	010-50602-30	Stud	2	
510	252-32612-00	Air Cleaner	1	
-2	236-32630-08	Packing	1	
520	226-32610-07	Element	1	
540	253-32901-03	Insulator	1	
550	253-35901-03 **	Gasket 3 (Insulator)	1	
555	227-35901-03 **	Gasket (Insulator)	1	
556	011-00601-30	Flange Bolt	1	
560	236-35903-03 **	Gasket 2 (Insulator)	1	
570	017-60600-20	Self Lock Nut	2	
590	002-38060-00	Flange Nut	2	

FIG. 4 GOVERNOR, OPERATION GROUP

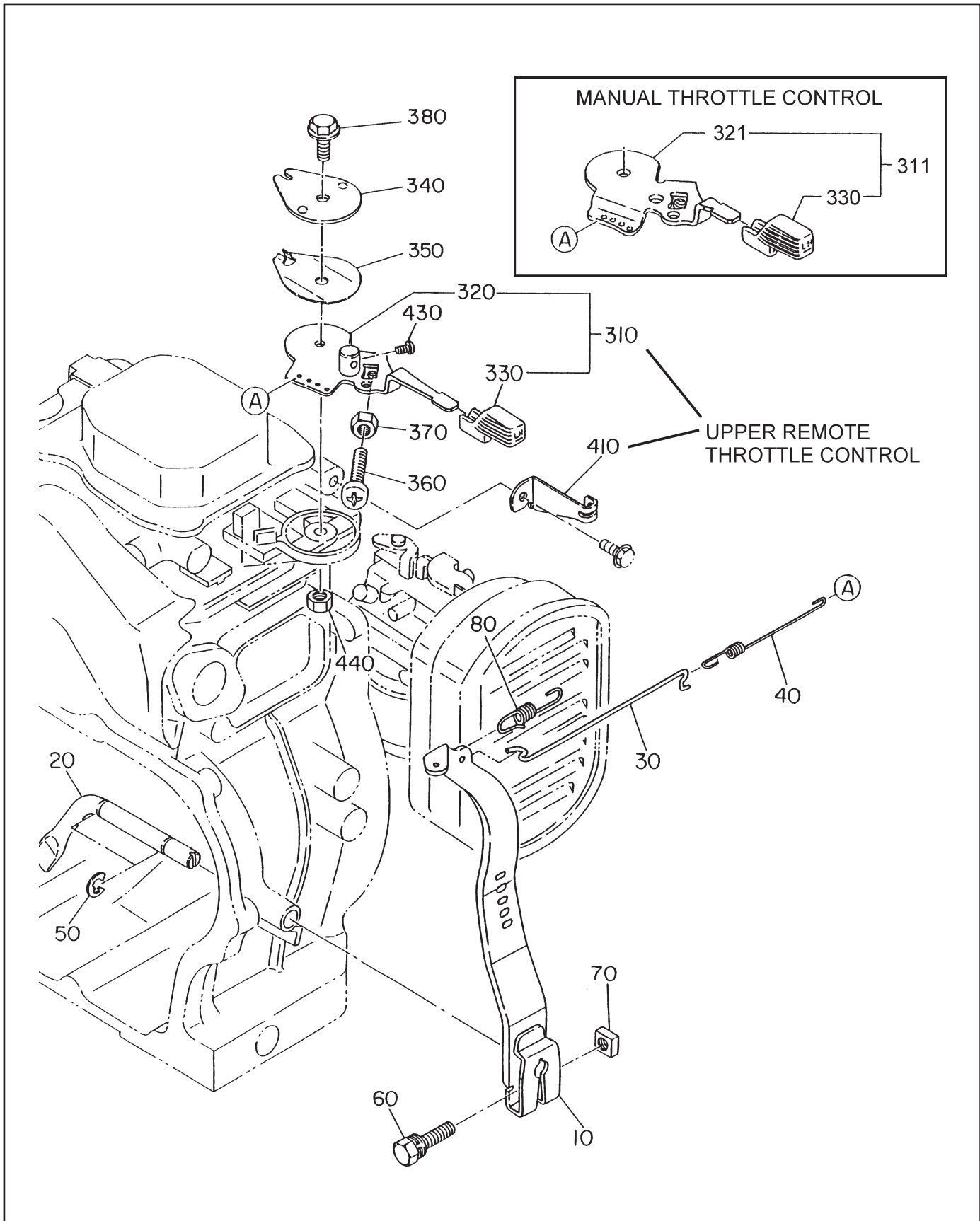


FIG. 5 COOLING, STARTING GROUP

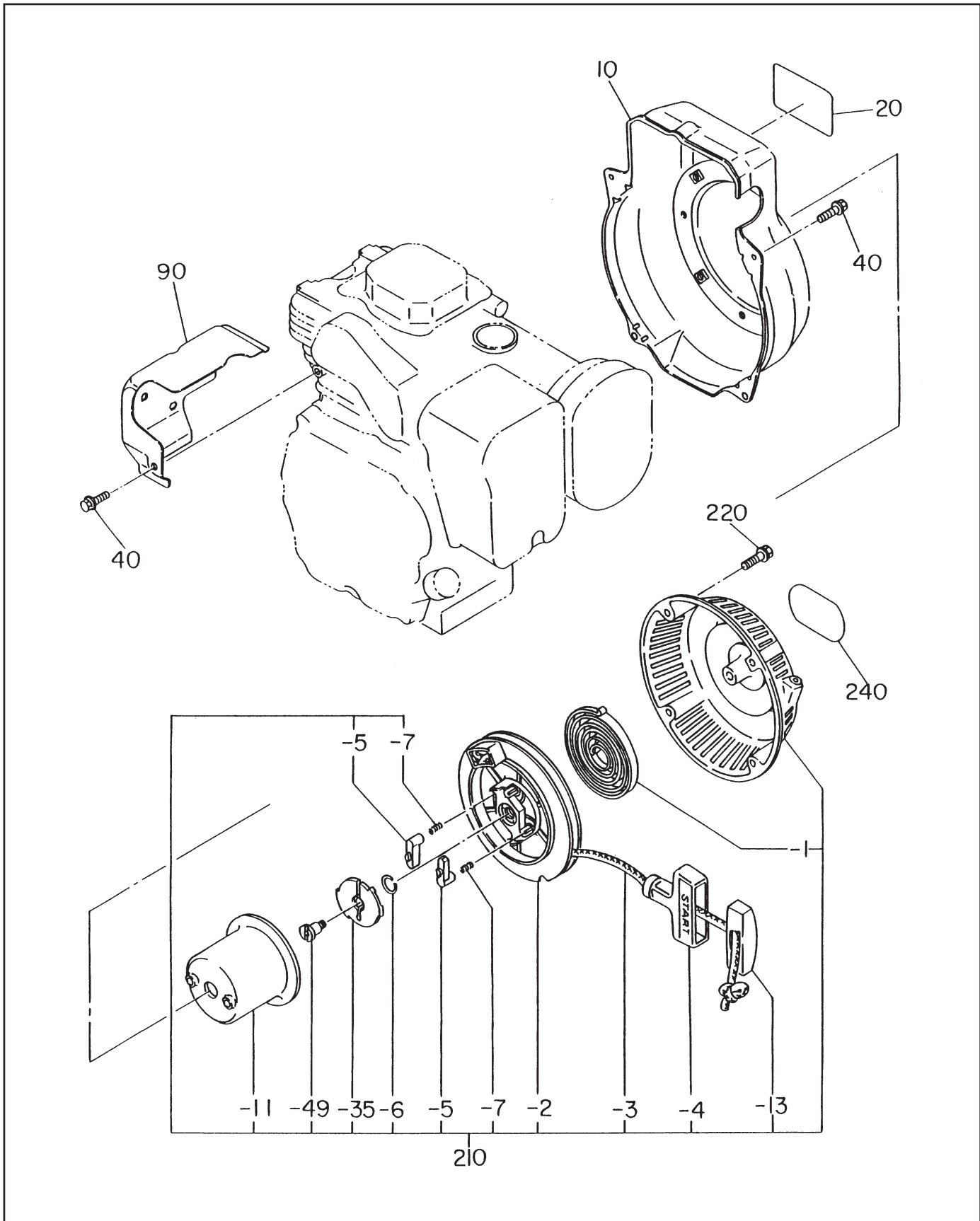


FIG. 6 FUEL and LUBRICANT GROUP

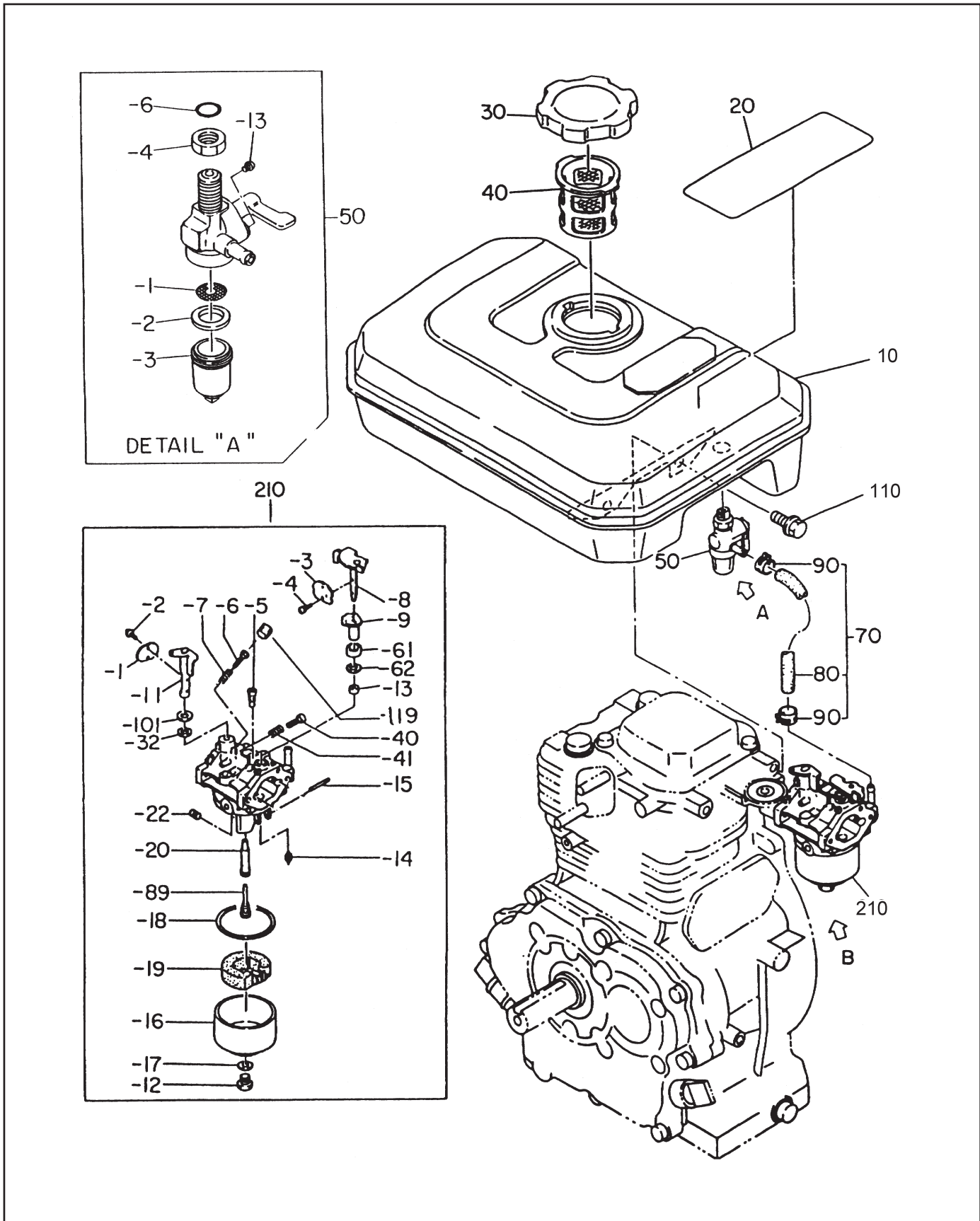
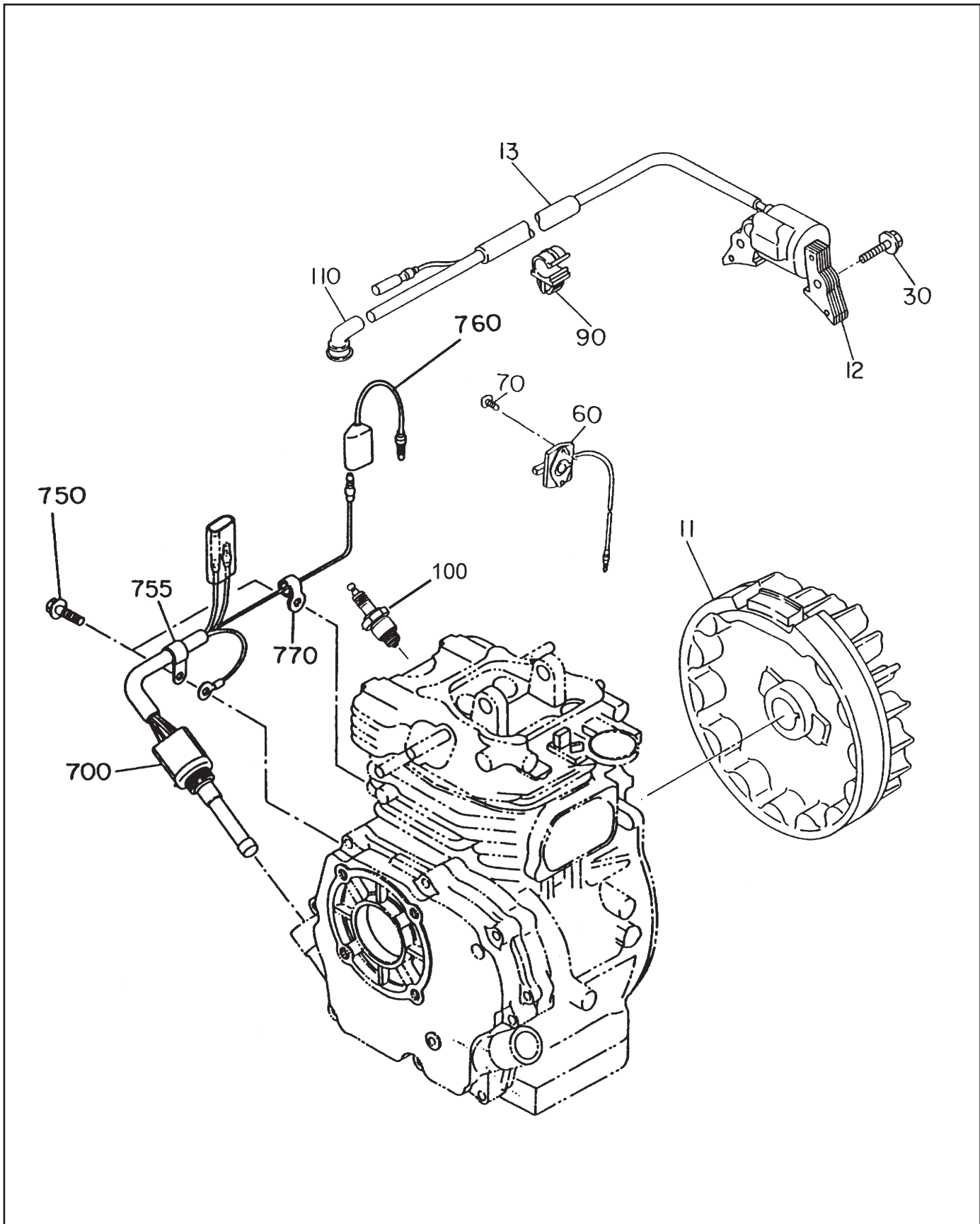


FIG. 6 FUEL and LUBRICANT GROUP

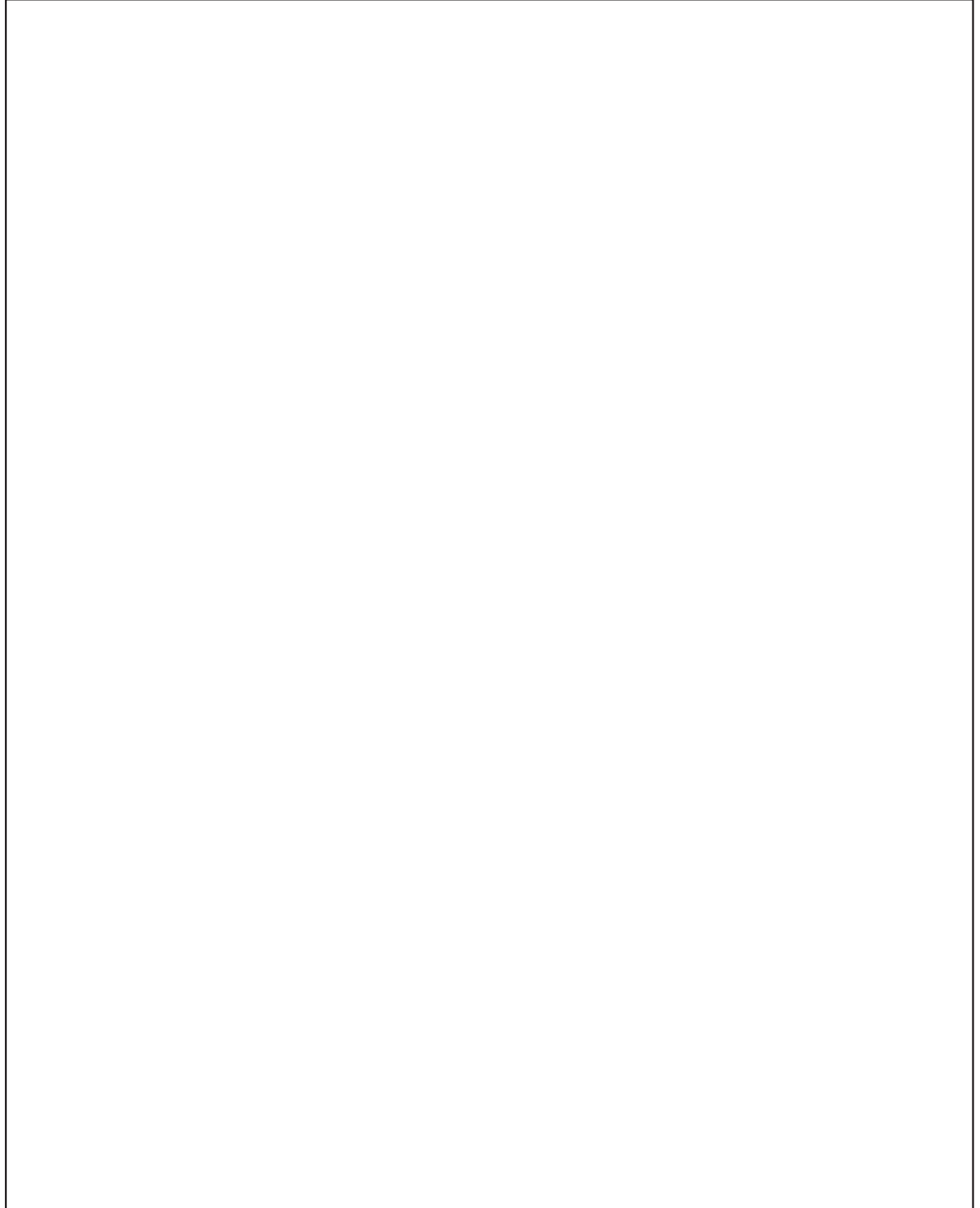
REF	PART NUMBER	DESCRIPTION	QTY	REMARKS
10	253-60108-01	Fuel Tank	1	Black
		Fuel Tank	1	Primer
20	073-20039-00	Label (Warning)	1	
30	043-04300-15	Fuel Tank Cap	1	
40	064-13600-10	Fuel Filter	1	
50	064-20084-00	Fuel Strainer	1	
-1	064-20042-20	Filter	1	
-2	064-20064-10	Packing	1	
-3	064-20078-10	Cup	1	
-4	064-20084-10	Nut	1	
-6	064-20084-20	O-Ring	1	
-13	064-20047-90	Screw	1	
70	253-62601-01	Fuel Pipe	1	
80	085-10600-00	Rubber Pipe	1	6x12x70mm
90	056-11100-20	Hose Clamp	2	
110	011-00600-30	Flange Bolt	4	
210	252-62404-00	Carburetor	1	
-1	220-62535-08	Throttle Valve	1	
-2	237-62451-08	Screw	2	
-3	236-62528-08	Choke Valve	1	
-4	237-62451-08	Screw	2	
-5	252-62420-08	Pilot Jet	1	
-6	246-62436-08	Pilot Screw	1	
-7	236-62445-08	Spring	1	
-8	236-62520-08	Choke Lever	1	
-9	239-62560-08	Ring	1	
-11	236-62600-08	Throttle Shaft	1	
-12	236-62451-08	Bolt	1	
-13	226-62550-08	Ring	1	
-14	161-62352-08	Needle	1	
-15	236-62510-08	Pin	1	
-16	236-62551-08	Float Chamber Body	1	
-17	236-62450-08	Packing	1	
-18	236-62540-08	Packing	1	
-19	236-62505-08	Float	1	
-20	252-62440-08	Main Nozzle	1	
-22	252-62401-08	Main Jet	1	
-32	106-62392-08	Seal	1	
-40	246-62435-08	Adjust Screw	1	
-41	209-62445-08	Spring	1	
-61	247-62550-08	Cap (Choke)	1	
-62	236-62680-08	Seal	1	
-89	235-62425-08	Guide Holder	1	
-101	236-62631-08	Ring	1	
-119	246-62551-08	Cap	1	

FIG. 7 ELECTRIC DEVICE GROUP



- NOTES -

- NOTES -



Robin America, Inc.

940 Lively Blvd. • Wood Dale, IL 60191 • Phone: 630-350-8200 • Fax: 630-350-8212
email: sales@robinamerica.com web: www.robinamerica.com