

# PARTS MANUAL

**Model**

**EH17**

Note: This manual covers the original EH17 specifications. In 1998 the second series of the EH17 (EH17-2) was introduced. There are significant differences between these versions of the EH17. The trademark label located above the recoil designates both versions as EH17.

The full specification number located on the product label will identify the version:

Specifications: EH17**0**YDXXXX = original version = use this manual

Specifications: EH17**2**YDXXXX = second series = use manual PUB-EP5712

1193P220  
Rev. 11/99

**ROBIN AMERICA, INC.  
ROBIN TO WISCONSIN ROBIN  
ENGINE MODEL CROSS REFERENCE LIST**

**ROBIN**

**WISCONSIN ROBIN**

**SIDE VALVE**

EY08	W1-080
EY15	W1-145
EY15V	W1-145V
EY20	W1-185
EY20V	W1-185V
EY23	W1-230
EY28	W1-280
EY35	W1-340
EY40	W1-390
EY45V	W1-450V
EY21	EY21W
EY44	EY44W
EY18-3	EY18-3W
EY25	EY25W
EY27	EY27W

**OVERHEAD VALVE**

EH11	WO1-115
EH12	WO1-120
EH15	WO1-150
EH17	WO1-170
EH21	WO1-210
EH25	WO1-250
EH30	WO1-300
EH30V	WO1-300V
EH34	WO1-340
EH34V	WO1-340V
EH43V	WO1-430V

**TWO CYCLE**

EC13V	WT1-125V
-------	----------

**DIESEL**

DY23	WRD1-230
DY27	WRD1-270
DY30	WRD1-300
DY35	WRD1-350
DY41	WRD1-410

# GROUP INDEX

Group Name	Page
Crankcase Group.....	4
Crankshaft and Piston Group .....	6
INTAKE and EXHAUST GROUP .....	8
GOVERNOR, OPERATION GROUP .....	10
COOLING, STARTING GROUP .....	12
FUEL and LUBRICANT GROUP .....	14
ELECTRIC DEVICE GROUP .....	16

## HOW TO USE THIS PARTS CATALOG

All Robin Industrial Engines have a Production number to identify their specification. The Production number is a 15 digit, alphanumeric number. The first 11 digits are classified as the specification number of the engine. The last 4 digits are the manufacturing code. An example is shown below:

### PRODUCTION NO.

<b>EH180V00000</b>	<b>XXXX</b>
(SPECIFICATION #)	(CODE)

All 15 digit production numbers will be located on a label similar to the sample shown below. The label is located on the engine blower housing. The engine model number and serial number are also stamped into the engine block near the oil drain plug on the side opposite of the carburetor.



**FIG. 1 CRANKCASE GROUP**

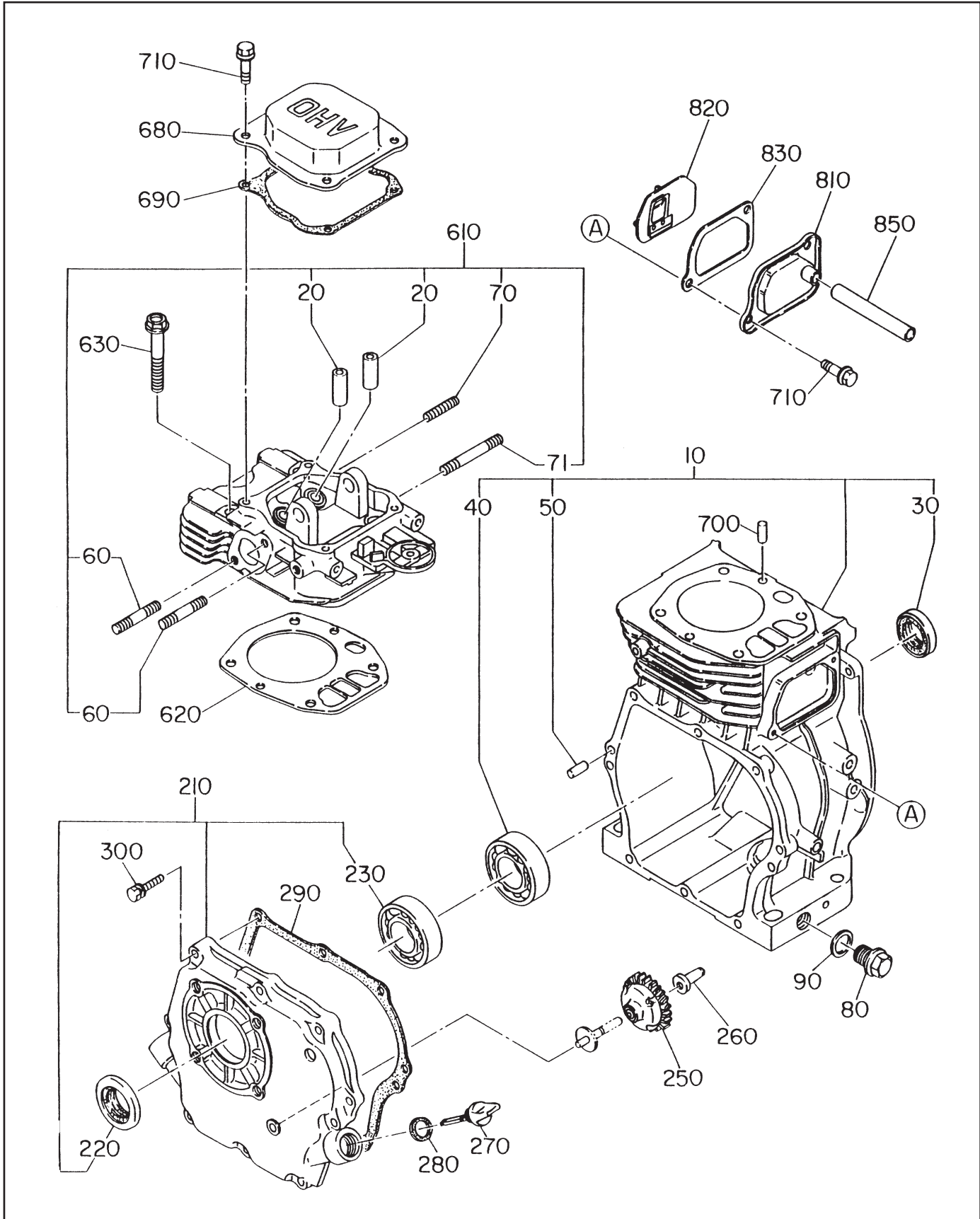




FIG. 2 CRANKSHAFT and PISTON GROUP

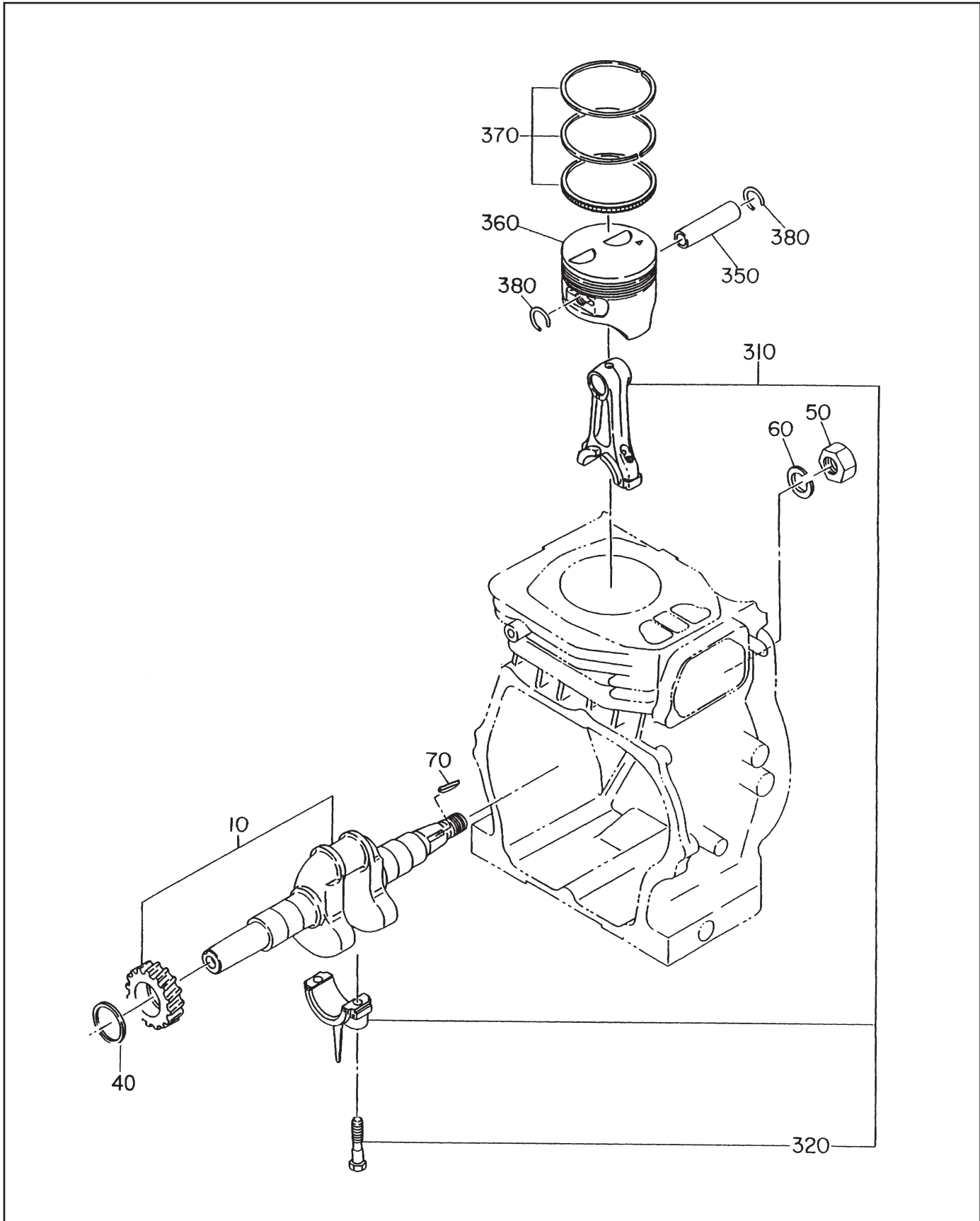
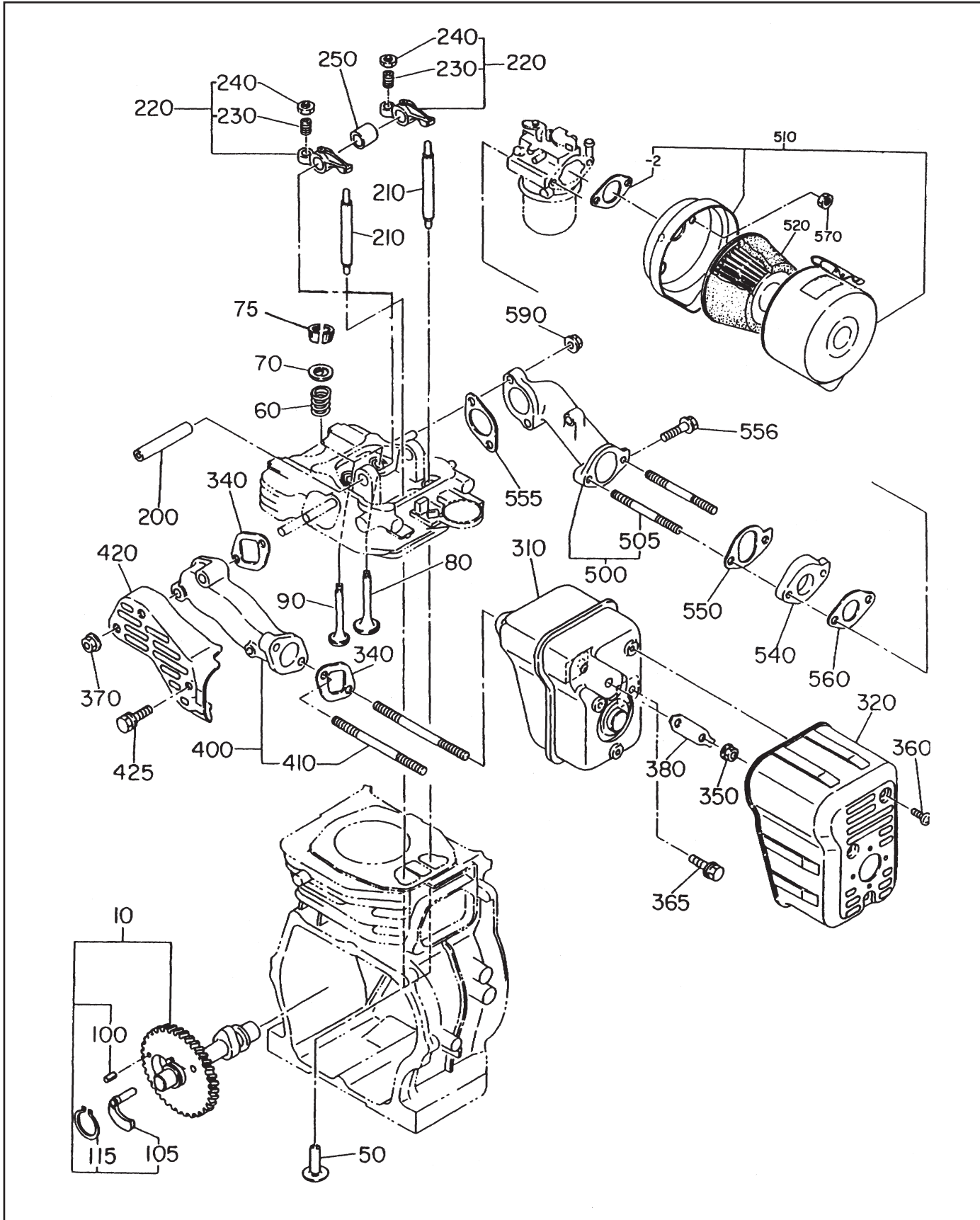




FIG. 3 INTAKE and EXHAUST GROUP





**FIG. 3 INTAKE and EXHAUST GROUP**

REF	PART NUMBER	DESCRIPTION	QTY	REMARKS
10	253-31701-01	Camshaft	1	
50	239-33301-03	Tappet	2	
60	253-33601-03	Valve Spring	2	From S/N 1134913
	237-33601-03	Valve Spring	2	To S/N 1134912
70	132-09KAO-40	Spring Retainer	2	From S/N 1134913
	237-33701-23	Spring Retainer	2	To S/N 1134912
75	132-10KAO-31	Valve Collet	2	From S/N 1134913
80	253-33401-03	Intake Valve	1	From S/N 1134913
	238-33401-33	Intake Valve	1	To S/N 1134912
90	253-33502-03	Exhaust Valve	1	From S/N 1134913
	238-33501-03	Exhaust Valve	1	To S/N 1134912
100	005-19041-00	Spring Pin	1	
105	227-36401-03	Release Lever	1	
115	003-15220-00	Snap Ring (Outer)	1	
200	237-35001-03	Rocker Shaft	1	
210	253-35301-01	Push Rod	2	
220	253-36101-00	Rocker Arm	2	
230	014-90800-21	Adjusting Screw	2	
240	017-00800-90	Nut	2	
250	237-36120-13	Spacer	1	
310	253-30101-01	Muffler	1	
320	253-34201-01	Muffler Cover	1	
340	253-35201-03 **	Gasket (Muffler)	2	
350	017-00800-30	Nut	2	
360	015-20500-10	Tapping Screw	3	
365	011-00600-20	Flange Bolt	2	
370	018-00800-10	Flange Nut	2	
380	236-36101-03	Lock Washer	1	
400	253-34001-01	Exhaust Pipe	1	
410	010-50804-10	Stud	2	
420	253-34801-01	Exhaust Pipe Cover	1	
500	253-33001-01	Intake Pipe	1	
505	010-50602-30	Stud	2	
510	253-32610-00	Air Cleaner	1	
-2	236-32630-08	Packing	1	
520	227-32610-07	Element	1	
540	253-32901-03	Insulator	1	
550	253-35901-03 **	Gasket 3 (Insulator)	1	
555	227-35901-03 **	Gasket (Insulator)	1	
556	011-00601-30	Flange Bolt	1	
560	236-35903-03 **	Gasket 2 (Insulator)	1	
570	017-60600-20	Self-Lock Nut	2	
590	002-38060-00	Flange Nut	2	

**FIG. 4 GOVERNOR, OPERATION GROUP**

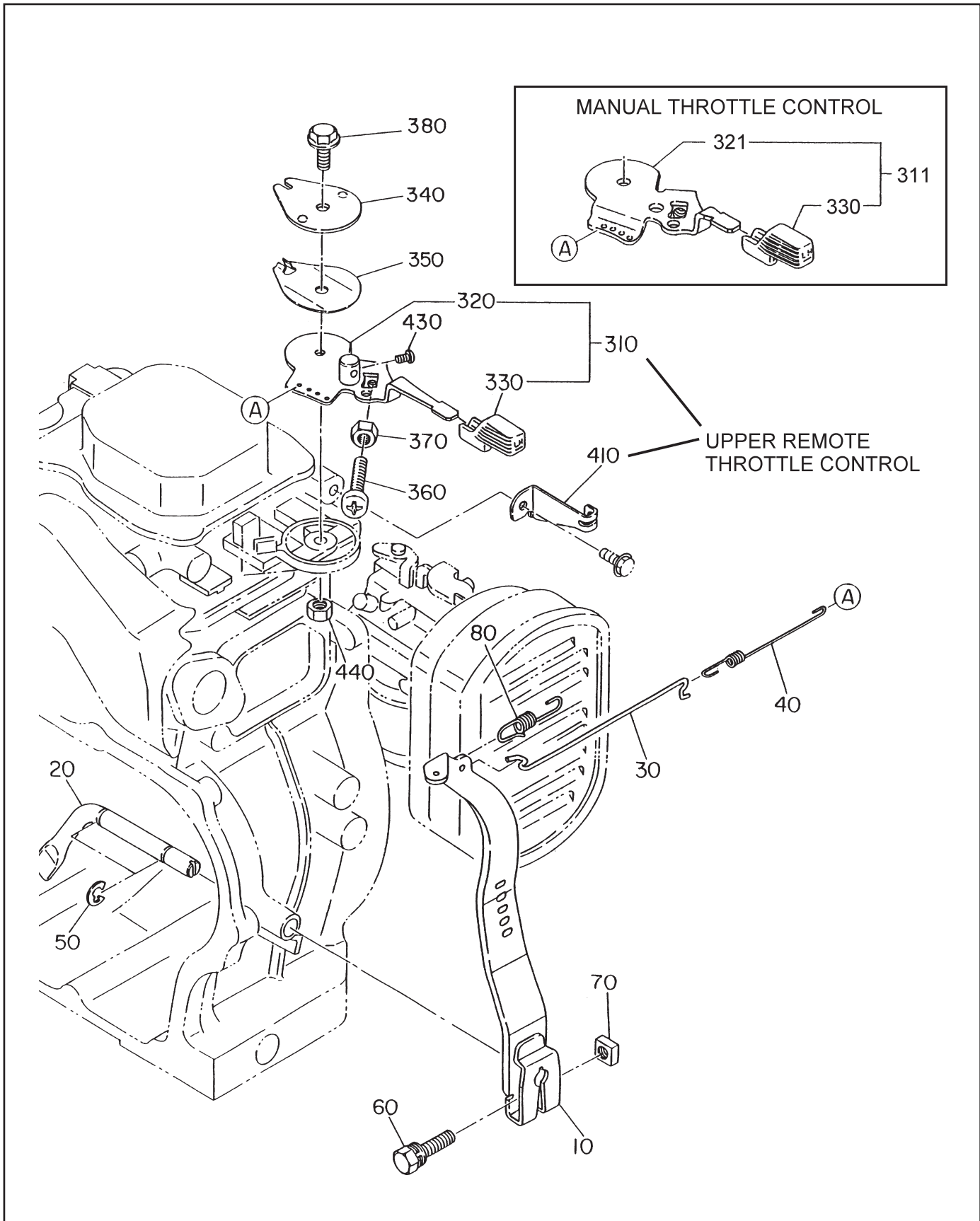
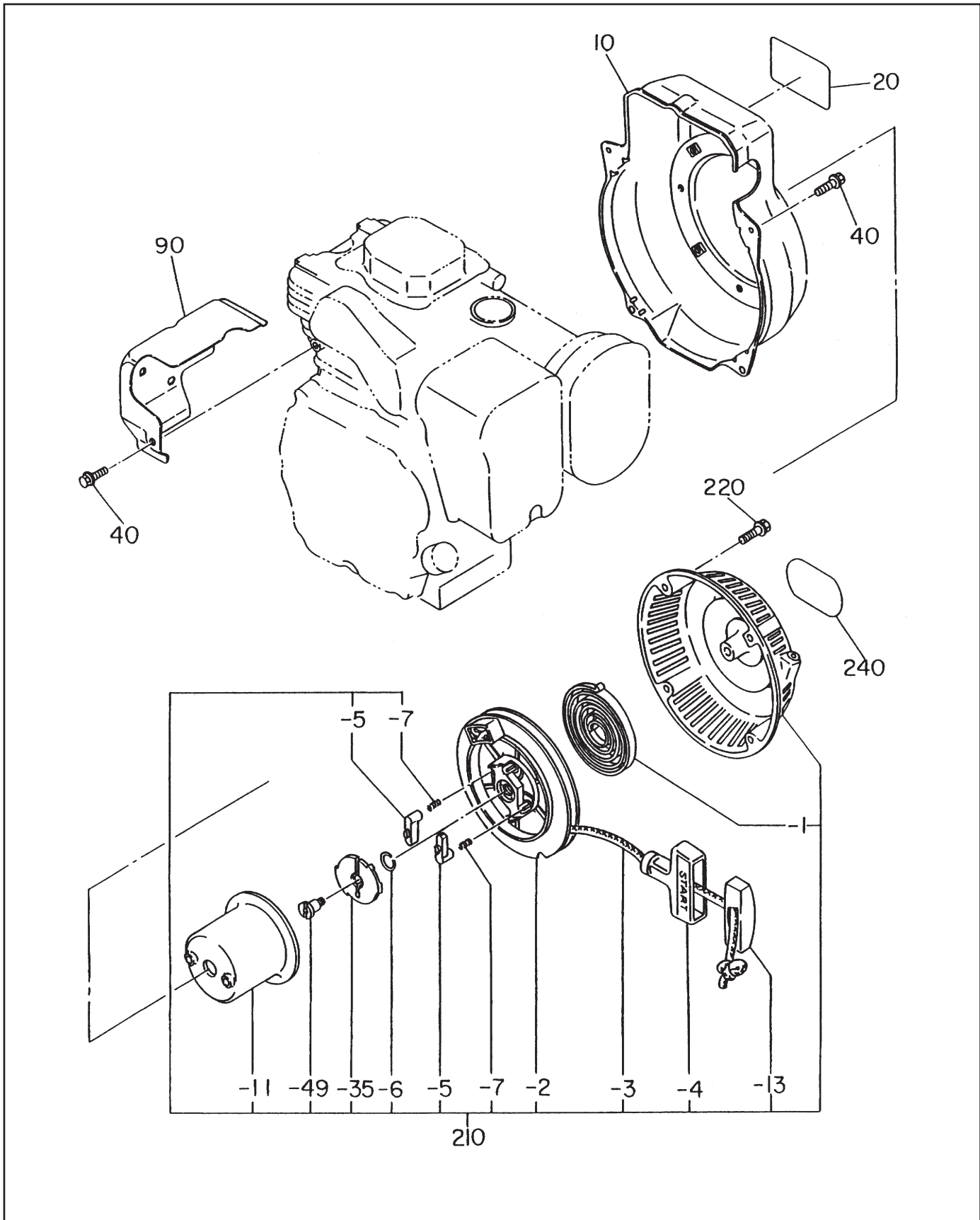


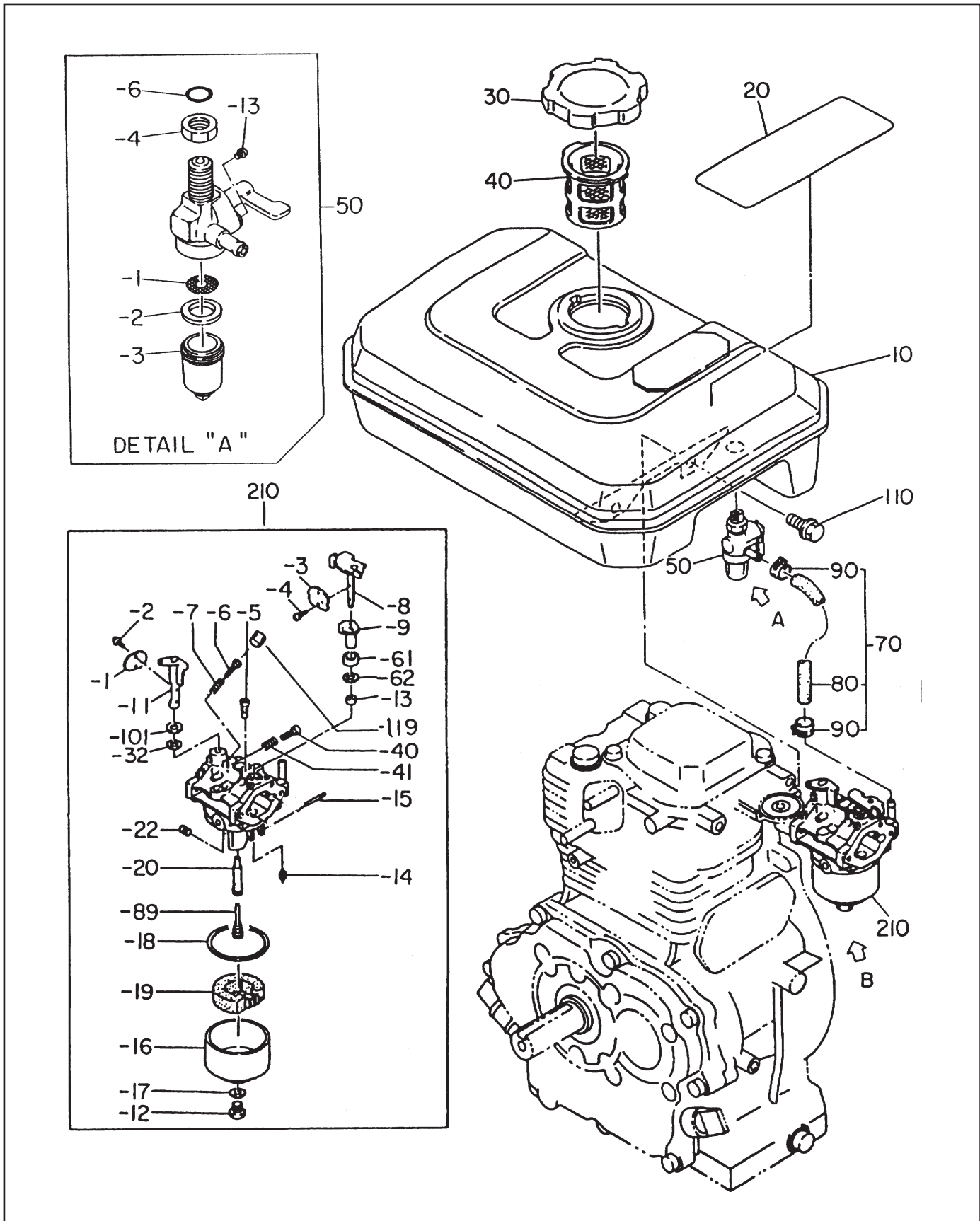


FIG. 5 COOLING, STARTING GROUP





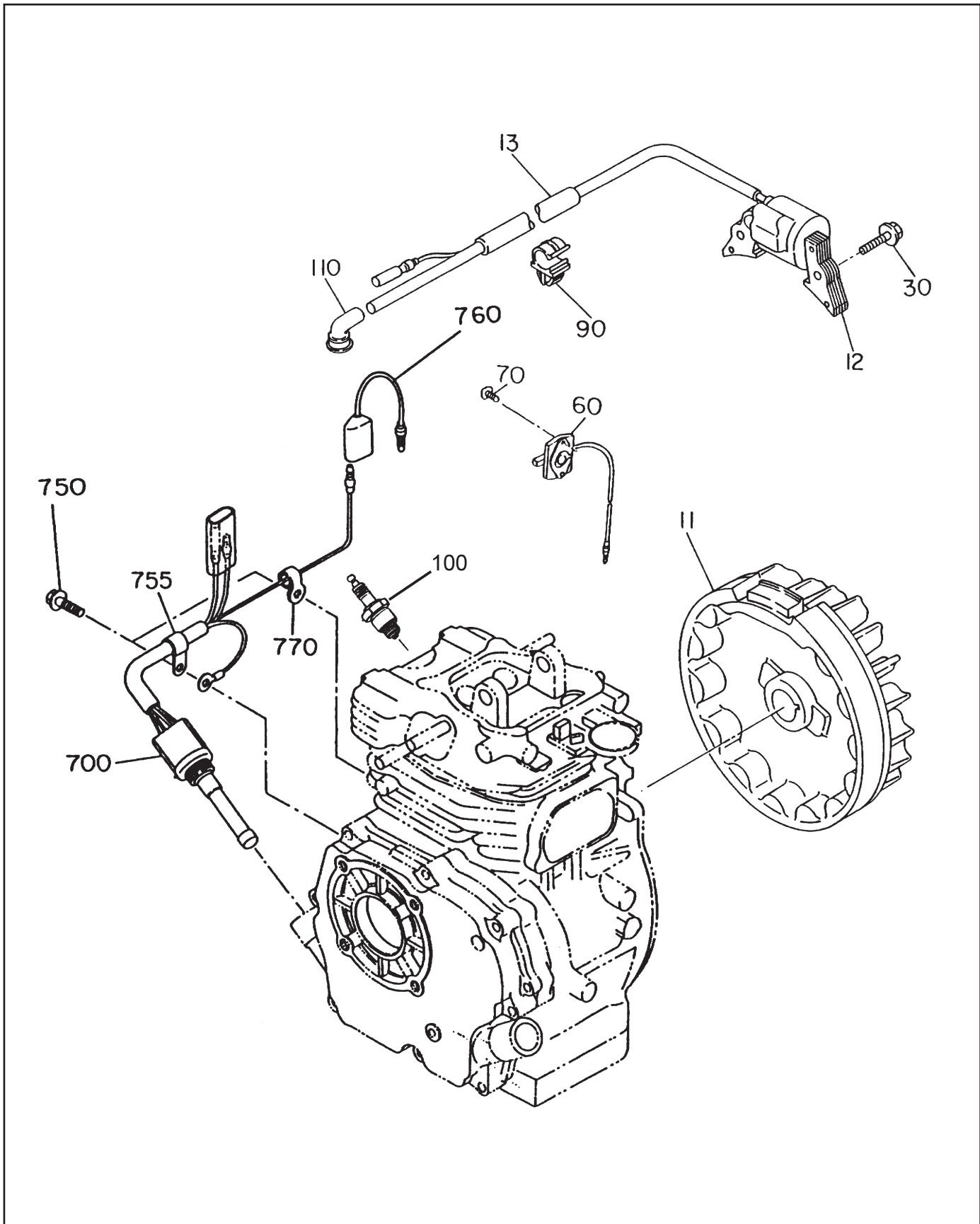
**FIG. 6 FUEL and LUBRICANT GROUP**



**FIG. 6 FUEL and LUBRICANT GROUP**

REF	PART NUMBER	DESCRIPTION	QTY	REMARKS
10	253-60108-01	Fuel Tank	1	
20	073-20039-00	Label (Warning)	1	
30	043-04300-15	Fuel Tank Cap	1	
40	064-13600-10	Fuel Filter	1	
50	064-20084-00	Fuel Strainer	1	
-1	064-20042-20	Filter	1	
-2	064-20064-10	Packing	1	
-3	064-20078-10	Cup	1	
-4	064-20084-10	Nut	1	
-6	064-20084-20	O-Ring	1	
-13	064-20047-90	Screw	1	
70	253-62601-01	Fuel Pipe	1	
80	085-10600-00	Rubber Pipe	1	6x12x70mm
90	056-11100-20	Hose Clamp	2	
110	011-00600-30	Flange Bolt	4	
210	253-62404-00	Carburetor	1	
-1	220-62536-08	Throttle Valve	1	
-2	237-62451-08	Screw	2	
-3	236-62528-08	Choke Valve	1	
-4	237-62451-08	Screw	2	
-5	253-62420-08	Pilot Jet	1	
-6	246-62436-08	Pilot Screw	1	
-7	209-62445-08	Spring	1	
-8	236-62520-08	Choke Lever	1	
-9	239-62560-08	Ring	1	
-11	236-62600-08	Throttle Shaft	1	
-12	236-62451-08	Bolt	1	
-13	226-62550-08	Ring	1	
-14	161-62352-08	Needle	1	
-15	236-62510-08	Pin	1	
-16	236-62551-08	Float Chamber Body	1	
-17	236-62450-08	Packing	1	
-18	236-62540-08	Packing	1	
-19	236-62505-08	Float	1	
-20	238-62440-08	Main Nozzle	1	
-22	253-62401-08	Main Jet	1	
-32	106-62392-08	Seal	1	
-40	246-62435-08	Adjusting Screw	1	
-41	236-62445-08	Spring	1	
-61	247-62550-08	Cap (Choke)	1	
-62	236-62680-08	Seal	1	
-89	235-62425-08	Guide Holder	1	
-101	236-62631-08	Ring	1	
-119	246-62551-08	Cap	1	

FIG. 7 ELECTRIC DEVICE GROUP

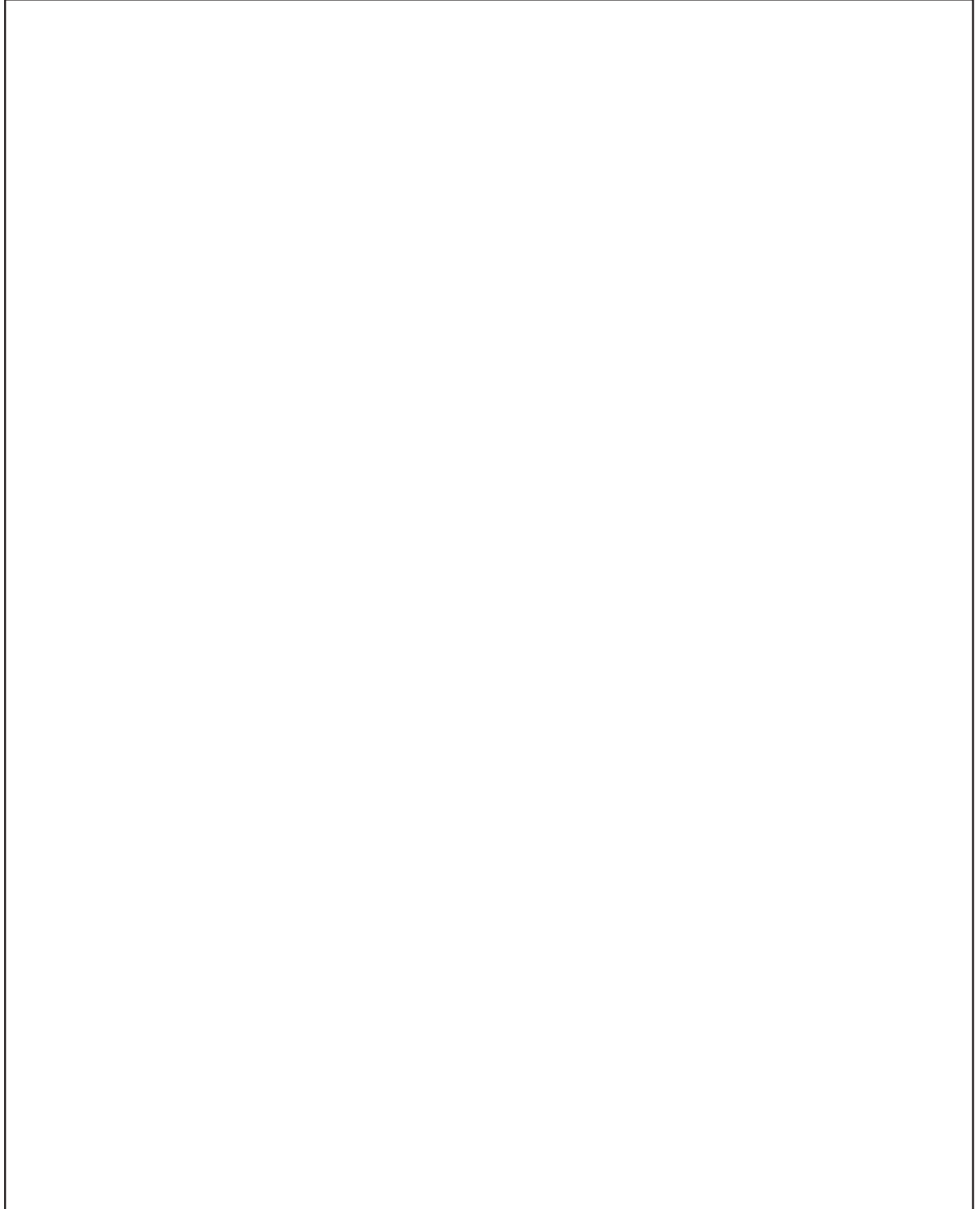






- NOTES -

- NOTES -



# **Robin America, Inc.**

940 Lively Blvd. • Wood Dale, IL 60191 • Phone: 630-350-8200 • Fax: 630-350-8212  
email: [sales@robinamerica.com](mailto:sales@robinamerica.com) web: [www.robinamerica.com](http://www.robinamerica.com)