

# PARTS MANUAL

## Model

# EH25

Note: This manual covers the original EH25 specifications. In 1998 the second series of the EH25 (EH25-2) was introduced. There are significant differences between these versions of the EH25. The trademark label located above the recoil designates both versions as EH25.

The full specification number located on the product label will identify the version:

Specifications: EH250YDXXXX = original version = use this manual

Specifications: EH252YDXXXX = second series = use manual PUB-EP5714

1193P222  
Rev. 11/99

**ROBIN AMERICA, INC.  
ROBIN TO WISCONSIN ROBIN  
ENGINE MODEL CROSS REFERENCE LIST**

**ROBIN**

**WISCONSIN ROBIN**

**SIDE VALVE**

EY08	W1-080
EY15	W1-145
EY15V	W1-145V
EY20	W1-185
EY20V	W1-185V
EY23	W1-230
EY28	W1-280
EY35	W1-340
EY40	W1-390
EY45V	W1-450V
EY21	EY21W
EY44	EY44W
EY18-3	EY18-3W
EY25	EY25W
EY27	EY27W

**OVERHEAD VALVE**

EH11	WO1-115
EH12	WO1-120
EH15	WO1-150
EH17	WO1-170
EH21	WO1-210
EH25	WO1-250
EH30	WO1-300
EH30V	WO1-300V
EH34	WO1-340
EH34V	WO1-340V
EH43V	WO1-430V

**TWO CYCLE**

EC13V	WT1-125V
-------	----------

**DIESEL**

DY23	WRD1-230
DY27	WRD1-270
DY30	WRD1-300
DY35	WRD1-350
DY41	WRD1-410

# GROUP INDEX

Group Name	Page
CRANKCASE GROUP .....	4
CRANKSHAFT and PISTON GROUP .....	6
INTAKE and EXHAUST GROUP .....	8
GOVERNOR, OPERATION GROUP .....	10
COOLING, STARTING GROUP .....	12
FUEL and LUBRICANT GROUP .....	14
ELECTRIC DEVICE GROUP .....	16
ELECTRIC START GROUP .....	18

---

## HOW TO USE THIS PARTS CATALOG

All Robin Industrial Engines have a Production number to identify their specification. The Production number is a 15 digit, alphanumeric number. The first 11 digits are classified as the specification number of the engine. The last 4 digits are the manufacturing code. An example is shown below:

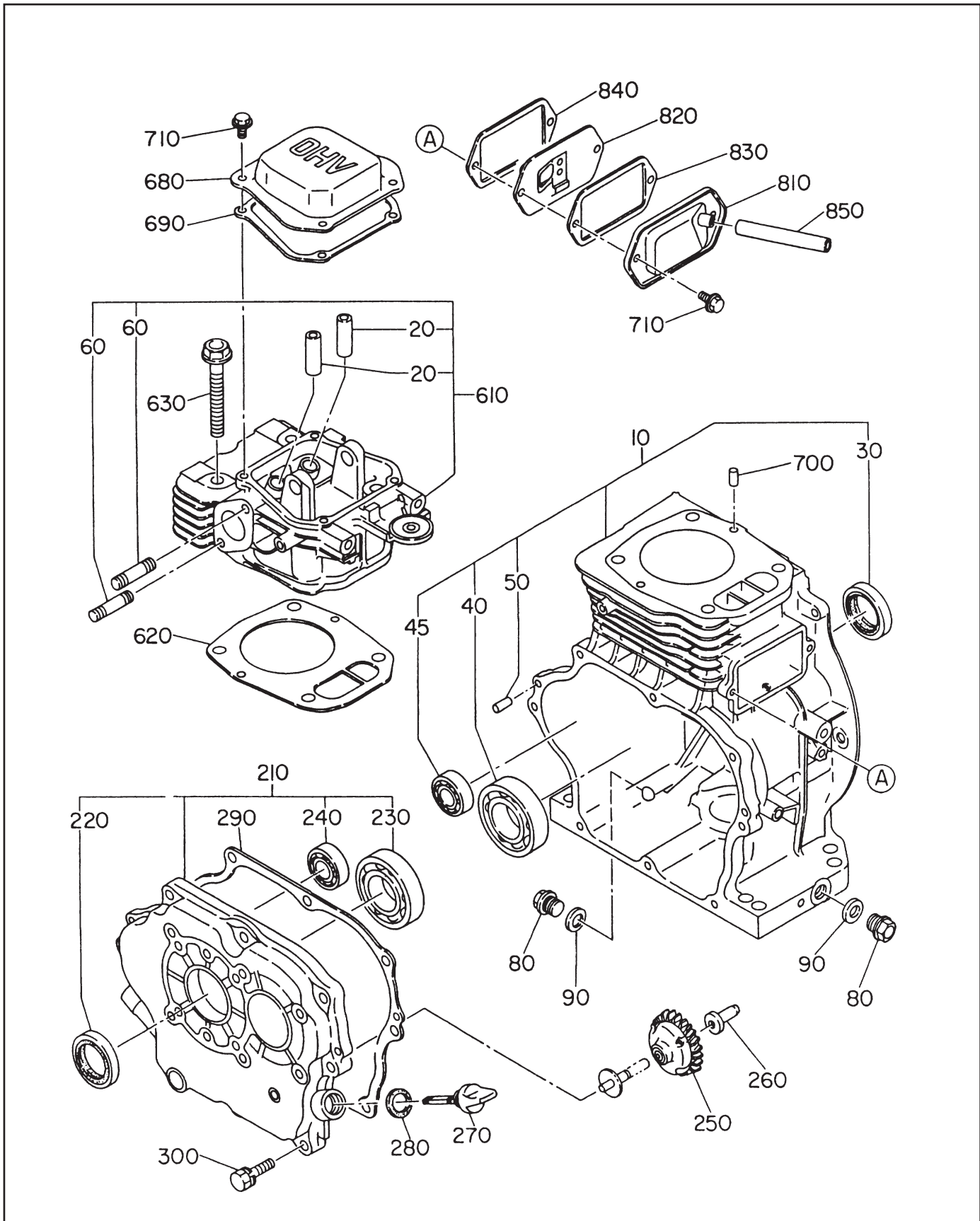
### PRODUCTION NO.

<b>EH180V00000</b>	<b>XXXX</b>
(SPECIFICATION #)	(CODE)

All 15 digit production numbers will be located on a label similar to the sample shown below. The label is located on the engine blower housing. The engine model number and serial number are also stamped into the engine block near the oil drain plug on the side opposite of the carburetor.



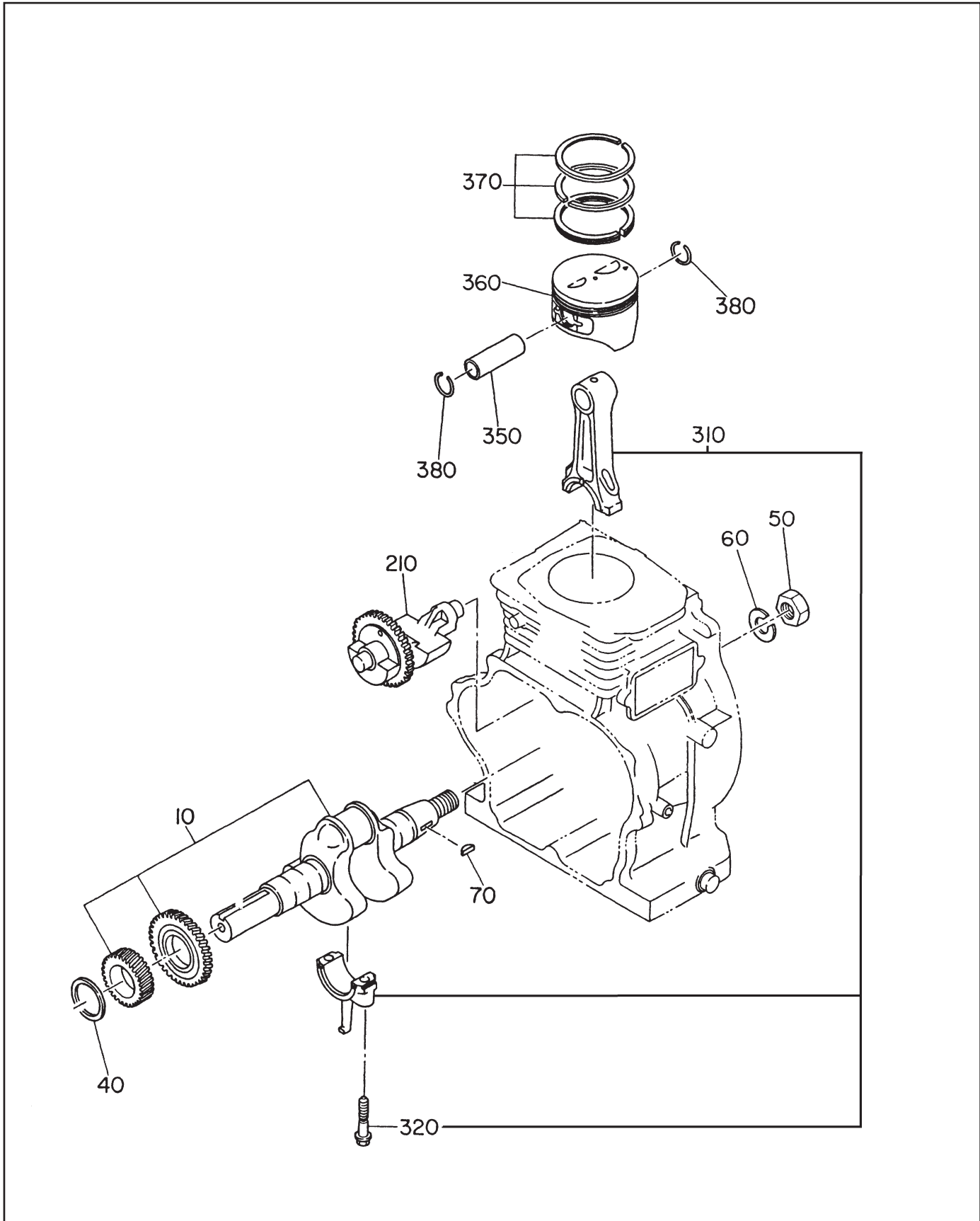
**FIG. 1 CRANKCASE GROUP**



**FIG. 1 CRANKCASE GROUP**

REF	PART NUMBER	DESCRIPTION	QTY	REMARKS
10	254-10101-11	Crankcase	1	Recoil Start From S/N 1032215
	254-10101-01	Crankcase	1	Recoil Start To S/N 1032214
10	254-10102-11	Crankcase	1	Elect Start From S/N 1032215
	254-10102-01	Crankcase	1	Elect Start To S/N 1032214
20	246-14202-03	Valve Guide	2	
30	044-03000-30	Oil Seal	1	
40	060-03002-20	Ball Bearing	1	
45	060-01500-10	Ball Bearing	1	
50	031-00600-20	Dowel Pin	2	
60	001-32085-00	Stud	2	
80	040-11400-30	Plug	2	
90	021-11400-20	Gasket	2	
210	254-11103-01	Main Bearing Cover	1	SAE
220	044-03000-30	Oil Seal	1	
230	060-03002-20	Ball Bearing	1	
240	060-01500-10	Ball Bearing	1	
250	234-45001-01	Governor Gear	1	
260	205-41901-03	Governor Sleeve	1	
270	227-63601-03	Oil Gauge	1	
280	021-31600-10 **	Gasket	1	
290	254-16001-03 **	Gasket (Main Bearing Cover)	1	
300	001-13083-00	Bolt & Washer	8	
610	254-13001-11	Cylinder Head	1	From S/N 1032215
	254-13001-01	Cylinder Head	1	To S/N 1032214
620	254-15001-13 **	Gasket (Cyl Head)	1	
630	011-01000-40	Flange Bolt	4	
680	254-15501-03	Rocker Cover	1	
690	254-16005-03 **	Gasket (Rocker Cover)	1	
700	031-00600-20	Dowel Pin	2	
710	011-00600-20	Flange Bolt	6	
810	254-14301-01	Breather Cover	1	
820	254-14401-01	Breather Plate	1	
830	246-16006-03 **	Gasket (Breather Cover)	1	
840	246-16007-03	Gasket (Breather Plate)	1	
850	085-10800-00	Rubber Pipe	1	8x11x75mm
	254-99001-07 **	Gasket Set		Includes Ref.# 280, 290, 620, 690, 830, 840 and also includes gaskets from the Intake & Exhaust Group: Ref.# -2, 340, 555, 560

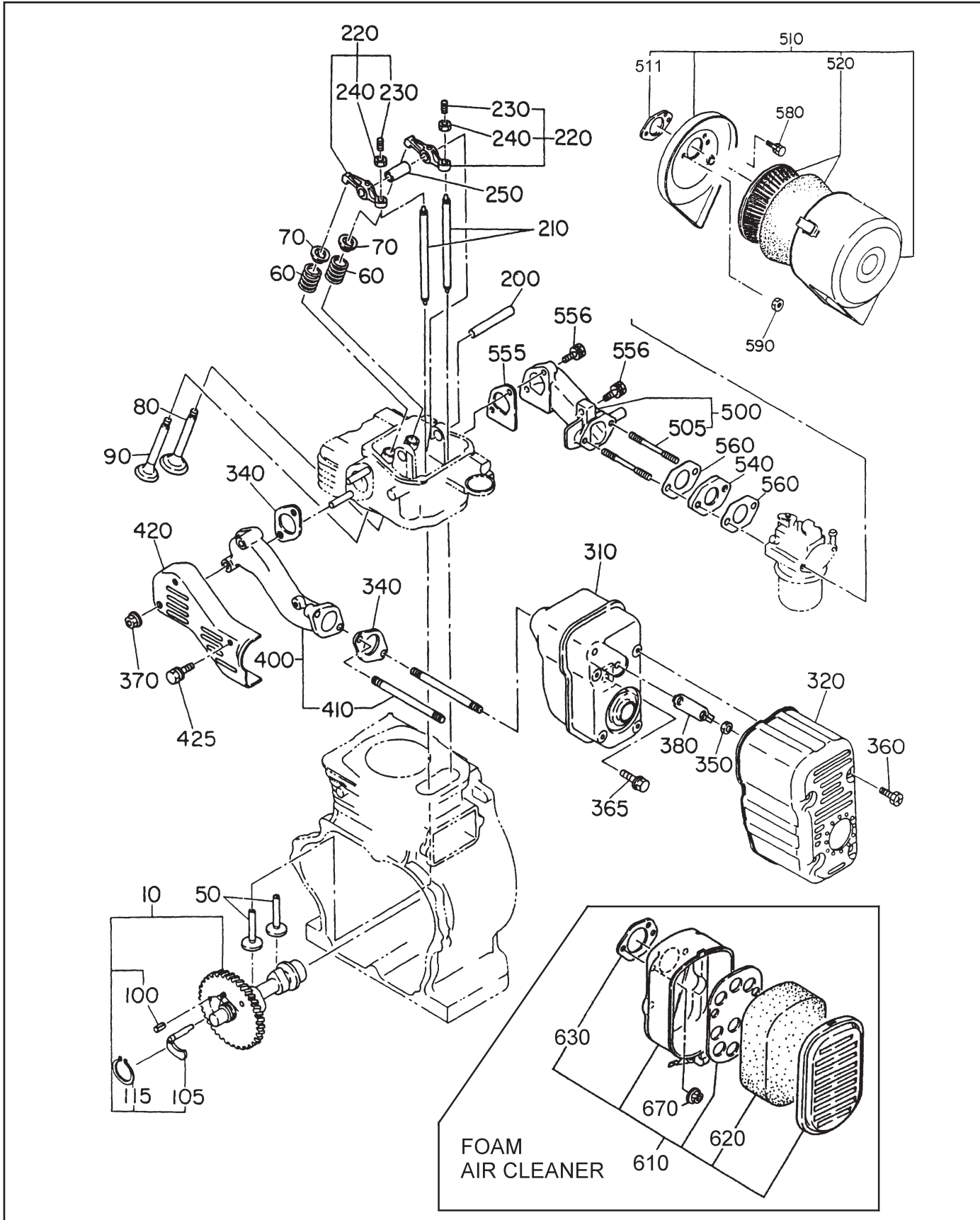
FIG. 2 CRANKSHAFT and PISTON GROUP



**FIG. 2 CRANKSHAFT and PISTON GROUP**

REF	PART NUMBER	DESCRIPTION	QTY	REMARKS
10	254-20901-01	Crankshaft	1	STD 1 in. Keyed
40	023-03001-70	Spacer T = 0.6mm	1	<b>Use 1 Piece Only</b>
	023-03001-80	Spacer T = 0.8mm	1	<b>Use 1 Piece Only</b>
	023-03001-90	Spacer T = 1.0mm	1	<b>Use 1 Piece Only</b>
50	002-18180-00	Nut	1	
60	003-20180-00	Spring Washer	1	
70	032-30300-10	Woodruff Key	1	
210	254-24101-03	Balancer Shaft	1	
310	254-22501-00	Connecting Rod	1	
320	246-23001-03	Connecting Rod Bolt	2	
350	254-23301-03	Piston Pin	1	
360	254-23401-03	Piston	1	STD
	254-23402-03	Piston	1	Oversize 0.25mm
	254-23403-03	Piston	1	Oversize 0.50mm
370	254-23501-07	Piston Ring Set	1	STD
	254-23502-07	Piston Ring Set	1	Oversize 0.25mm
	254-23503-07	Piston Ring Set	1	Oversize 0.50mm
380	056-51800-10	Clip	2	

**FIG. 3 INTAKE and EXHAUST GROUP**





**FIG. 3 INTAKE and EXHAUST GROUP**

REF	PART NUMBER	DESCRIPTION	QTY	REMARKS
10	254-31701-01	Camshaft	1	
50	254-33301-03	Tappet	2	
60	254-33601-03	Valve Spring	2	
70	246-33701-13	Spring Retainer	2	
80	254-33401-03	Intake Valve	1	
90	254-33501-03	Exhaust Valve	1	
100	005-19041-00	Spring Pin	1	
105	254-36401-03	Release Lever	1	
115	003-15220-00	Snap Ring	1	
200	239-35001-03	Rocker Shaft	1	
210	248-35301-11	Push Rod	2	
220	246-36101-10	Rocker Arm	2	
230	014-90800-21	Adjusting Screw	2	
240	017-00800-90	Nut	2	
250	254-36120-13	Spacer	1	
310	254-304101-01	Muffler	1	
320	254-34201-01	Muffler Cover	1	
340	246-35201-03 **	Gasket (Muffler)	2	
350	017-00800-30	Nut	2	
360	015-20500-10	Tapping Screw	4	
365	001-10081-60	Bolt & Washer	1	
370	018-00800-10	Flange Nut	2	
380	254-36101-03	Lock Washer	1	
400	254-34001-01	Exhaust Pipe	1	
410	010-50804-10	Stud	2	
420	254-34801-01	Exhaust Pipe Cover	1	
425	011-00600-10	Flange Bolt	1	
500	254-33001-01	Intake Pipe	1	
505	010-50601-91	Stud	2	
510	254-32602-10	Air Cleaner	1	
511	234-36003-08 **	Packing	1	
520	234-32604-07	Element	1	
540	234-32901-03	Insulator	1	
555	246-36001-13 **	Gasket (In. Pipe)	1	
556	001-13082-80	Bolt & Washer	3	
560	234-35902-03 **	Gasket 2 (Insulator)	2	T = 0.2mm
580	001-10061-20	Bolt & Washer	1	
590	226-39212-00	Nut & Washer	2	
610	239-32601-10	Air Cleaner	1	
620	234-36002-03	Element	1	
630	234-36003-03	Gasket	1	
670	002-38060-00	Flange Nut	2	

FIG. 4 GOVERNOR, OPERATION GROUP

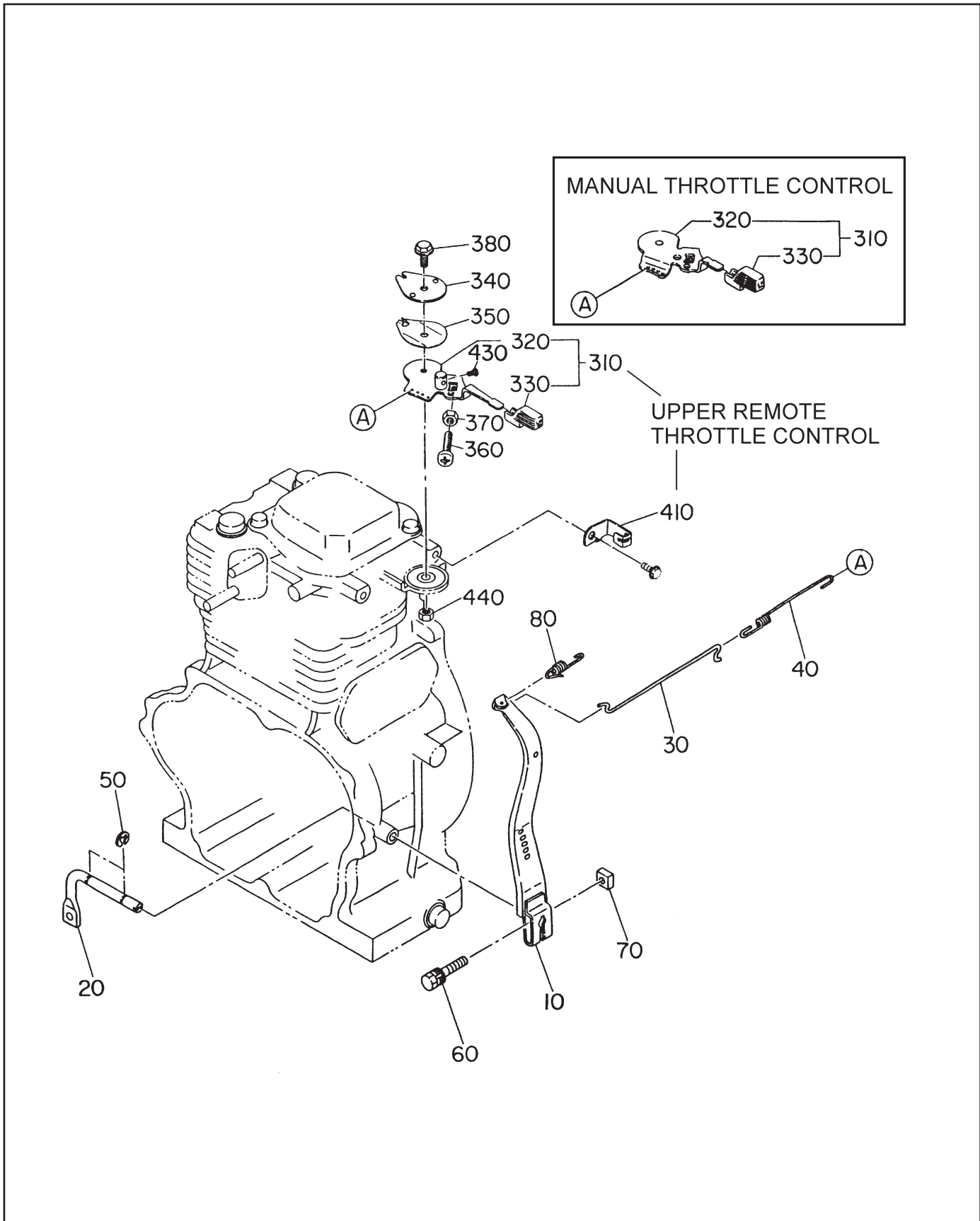
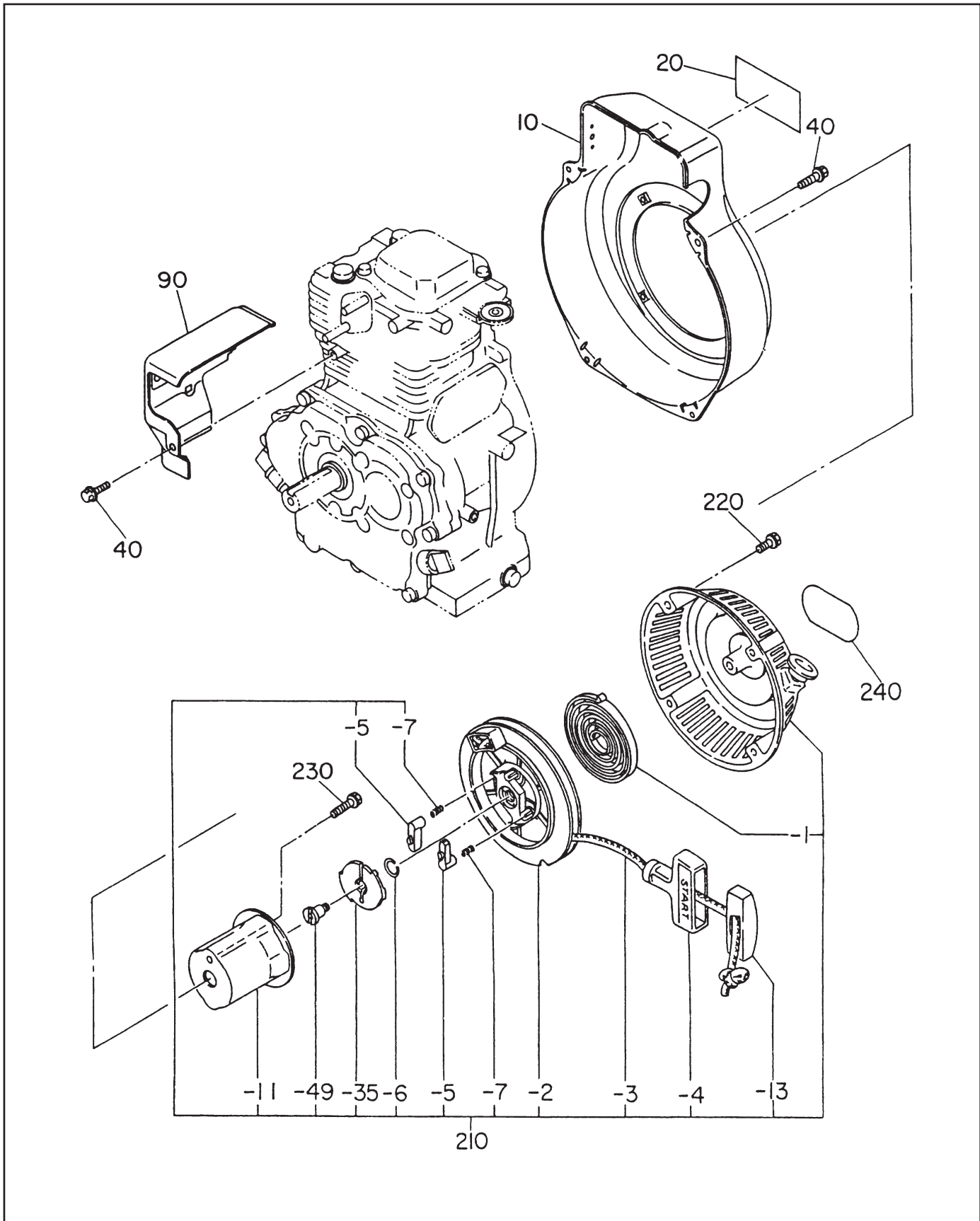


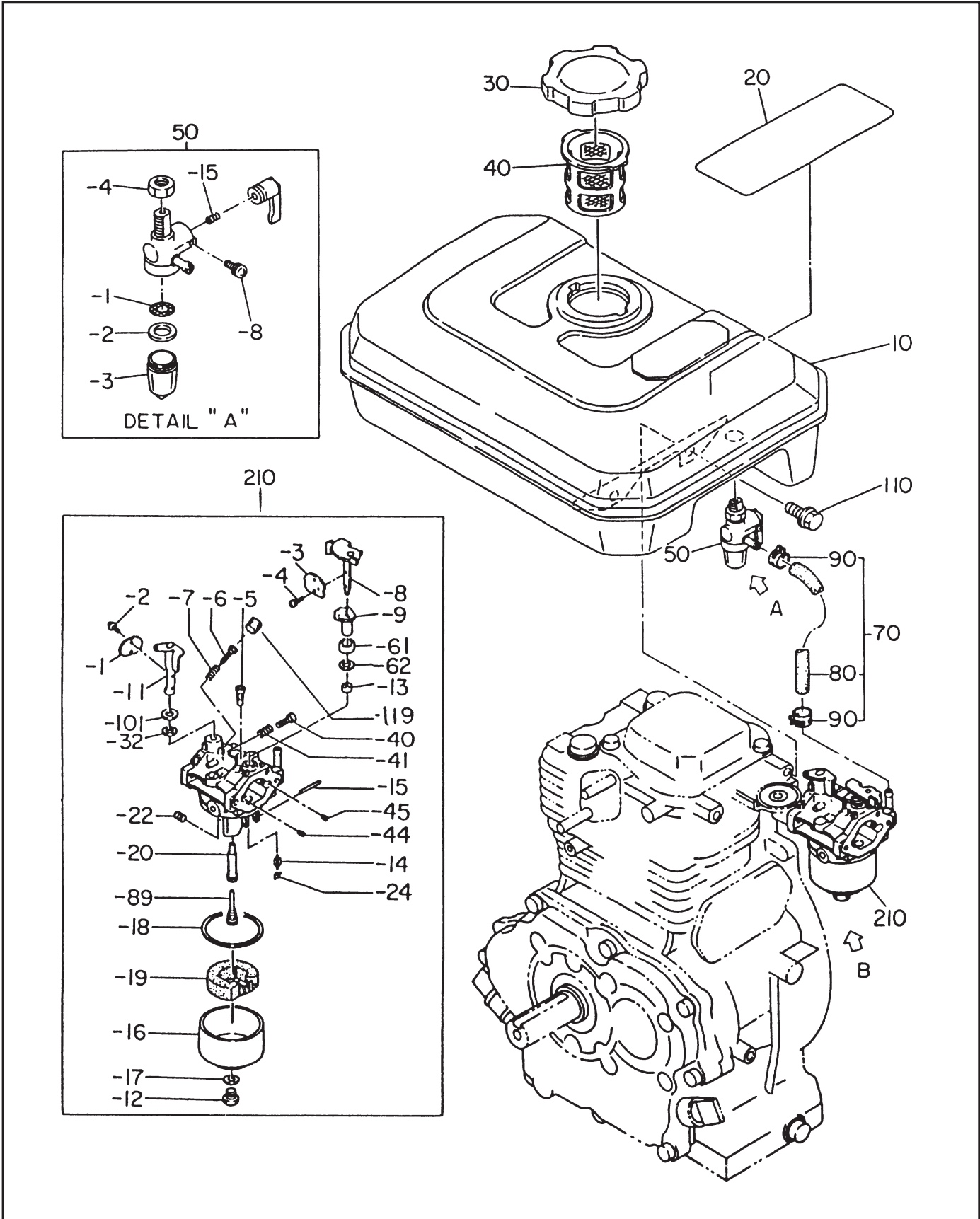


FIG. 5 COOLING, STARTING GROUP





**FIG. 6 FUEL and LUBRICANT GROUP**



**FIG. 6 FUEL and LUBRICANT GROUP**

REF	PART NUMBER	DESCRIPTION	QTY	REMARKS
10	254-60150-01	Fuel Tank	1	Black
		Fuel Tank	1	Primer
20	073-20039-00	Label (Warning)	1	
30	043-04300-15	Fuel Tank Cap	1	
40	064-13600-10	Fuel Filter	1	
50	064-20086-00	Fuel Strainer	1	
-1	064-20041-10	Filter	1	
-2	064-20014-30	Packing	1	
-3	064-20014-10	Cup	1	
-4	064-20023-60	Lock Nut	1	
-8	064-20027-90	Lock Bolt	1	
-15	064-20032-30	Spring	1	
70	234-62601-01	Fuel Pipe	1	
80	085-10600-00	Rubber Pipe	1	
90	156-11100-20	Hose Clamp	2	
110	001-13082-00	Bolt & Washer	4	
210	254-62502-00	Carburetor	1	
-1	239-62535-08	Throttle Valve	1	
-2	209-62351-08	Screw	2	
-3	254-62525-08	Choke Valve	1	
-4	237-62451-08	Screw	2	
-5	254-62420-08	Pilot Jet	1	
-6	246-62436-08	Pilot Screw	1	
-7	230-62448-08	Spring	1	
-8	234-62520-08	Choke Lever	1	
-9	239-62560-08	Ring	1	
-11	254-62531-08	Throttle Shaft	1	
-12	224-62544-08	Bolt & Washer	1	
-13	226-62550-08	Ring	1	
-14	224-62312-08	Nedle Valve	1	
-15	214-62515-08	Pin	1	
-16	224-62552-08	Float Chamber Body	1	
-17	207-62345-08	Insert Washer	1	
-18	206-62540-08	Chamber Packing	1	
-19	234-62506-08	Float	1	
-20	254-62440-08	Main Nozzle	1	
-22	254-62401-08	Main Jet	1	
-24	224-62569-08	Clip	1	
-32	106-62392-08	Seal	1	
-40	246-62435-08	Adjusting Screw	1	
-41	230-62446-08	Spring	1	
-61	247-62550-08	Cap (Choke)	1	
-62	236-62680-08	Seal	1	
-89	246-62425-08	Pipe	1	
-101	156-62351-08	Packing	1	
-119	246-62551-08	Cap	1	

**FIG. 7 ELECTRIC DEVICE GROUP**

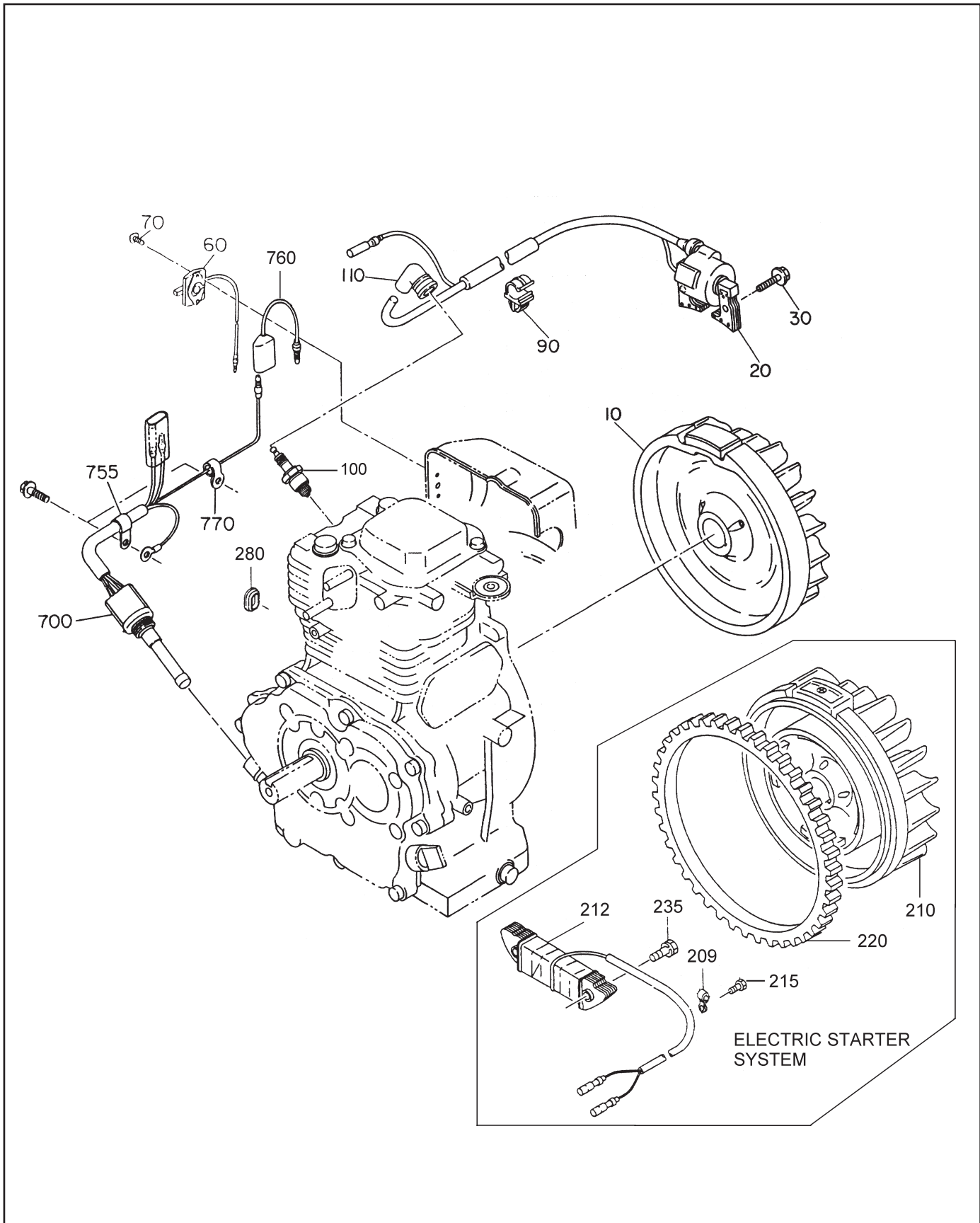
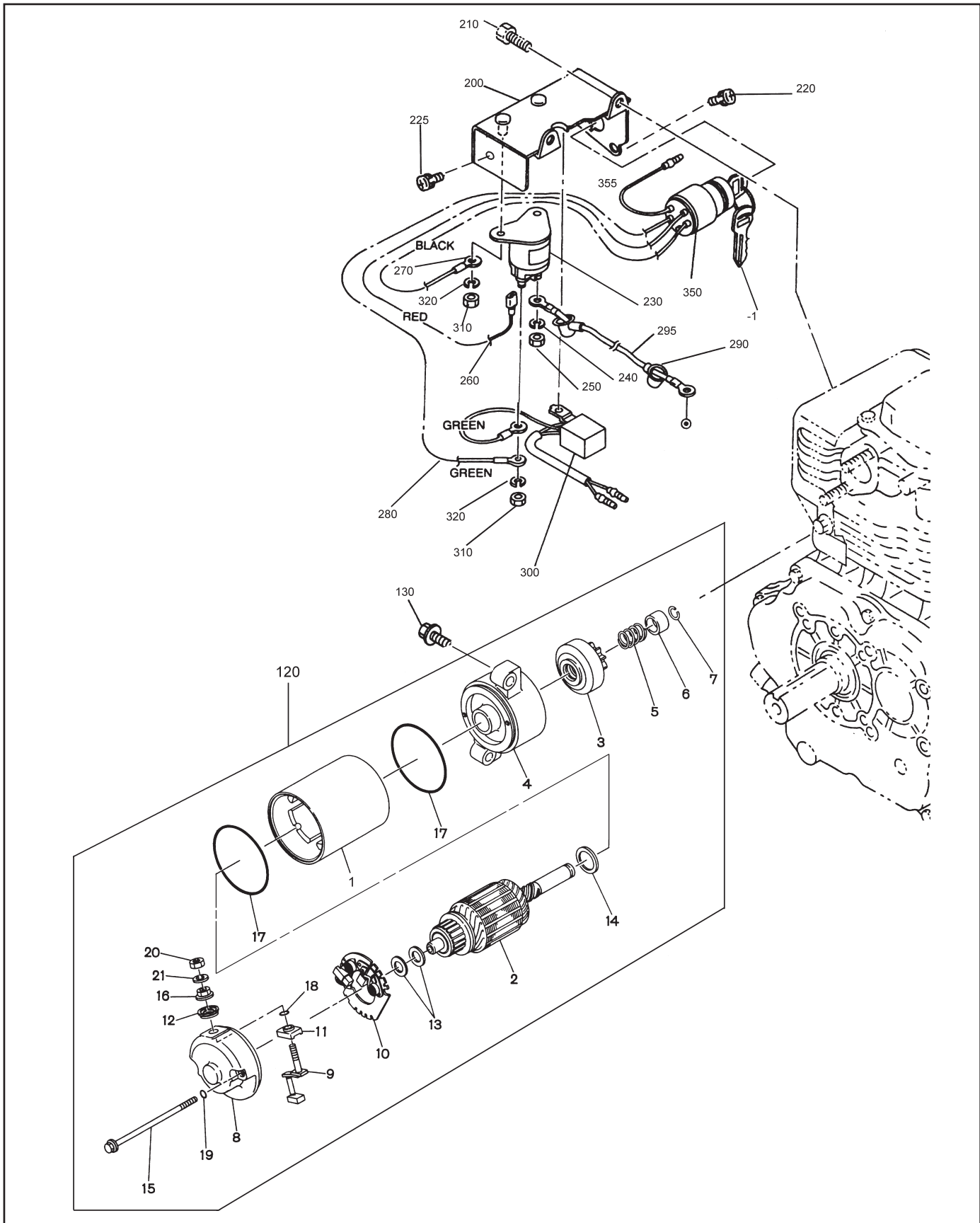






FIG. 8 ELECTRIC START GROUP



**FIG. 8 ELECTRIC START GROUP**

REF	PART NUMBER	DESCRIPTION	QTY	REMARKS
120	254-70502-00	Starting Motor	1	includes 1-21
1	254-70551-08	Yoke AY	1	
2	254-70557-08	Armature AY	1	
3	254-70522-08	Clutch	1	
4	254-70502-08	Housing AY	1	
5	227-70560-08	Spring	1	
6	227-70561-08	Nut (Pinion Stop)	1	
7	227-70562-08	Snap Ring	1	
8	254-70505-08	Frame AY	1	
9	254-70541-08	Brush Sub AY	1	
10	254-70536-08	Holder AY	1	
11	254-70581-08	Bushing	1	
12	254-70582-08	Bushing	1	
13	254-70573-08	Washer	2	
14	227-70573-08	Washer	1	
15	254-70574-08	Through Bolt	2	
16	254-70575-08	Nut	1	
17	254-70571-08	O-Ring	2	
18	254-70572-08	O-Ring	1	
19	227-70571-08	O-Ring	2	
20	002-27060-00	Nut	1	
21	003-20060-00	Spring Washer	1	
130	001-14083-00	Bolt & Washer	2	
200	254-75105-01	Control Box	1	
210	001-13082-00	Bolt & Washer	2	
220	004-35061-00	Screw & Washer	1	
225	011-00600-10	Flange Bolt	1	
230	066-10000-10	Magnetic Switch	1	
240	003-20060-00	Spring Washer	2	
250	002-27060-00	Nut	2	
260	254-73102-01	Wire 2	1	Red
270	227-73102-01	Wire 2	1	Black
280	232-73105-01	Wire 5	1	Green
290	214-78501-03	Wire Casing	2	
295	224-73201-01	Wire 20	1	
300	232-71401-01	Diode Rectifier	1	
310	002-17050-00	Nut	2	
320	003-20050-00	Spring Washer	2	
350	066-00003-30	Switch	1	
-1	066-00099-80	Key	1	
355	234-73105-01	Wire 5	1	Black

# **Robin America, Inc.**

940 Lively Blvd. • Wood Dale, IL 60191 • Phone: 630-350-8200 • Fax: 630-350-8212  
email: [sales@robinamerica.com](mailto:sales@robinamerica.com) web: [www.robinamerica.com](http://www.robinamerica.com)