

**Robin Industrial Engines®**

# **PARTS MANUAL**

**Model**

**EC03/04**

1193P234



**ROBIN AMERICA, INC.**  
**ROBIN TO WISCONSIN ROBIN**  
**ENGINE MODEL CROSS REFERENCE LIST**

ROBIN

WISCONSIN ROBIN

SIDE VALVE

EY08	W1-080
EY15	W1-145
EY15V	W1-145V
EY20	W1-185
EY20V	W1-185V
EY23	W1-230
EY28	W1-280
EY35	W1-340
EY40	W1-390
EY45V	W1-450V
EY21	EY21W
EY44	EY44W
EY18-3	EY18-3W
EY25	EY25W
EY27	EY27W

OVERHEAD VALVE

EH11	W01-115
EH12	W01-120
EH15	W01-150
EH17	W01-170
EH21	W01-210
EH25	W01-250
EH30	W01-300
EH30V	W01-300V
EH34	W01-340
EH34V	W01-340V
EH43V	W01-430V

TWO CYCLE

EC13V	WT1-125V
-------	----------

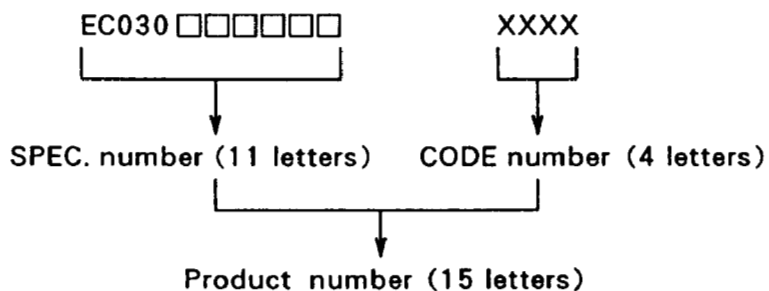
DIESEL

DY23	WRD1-230
DY27	WRD1-270
DY30	WRD1-300
DY35	WRD1-350
DY41	WRD1-410

## Before referring to parts catalog

### ■ 1. Parts listed

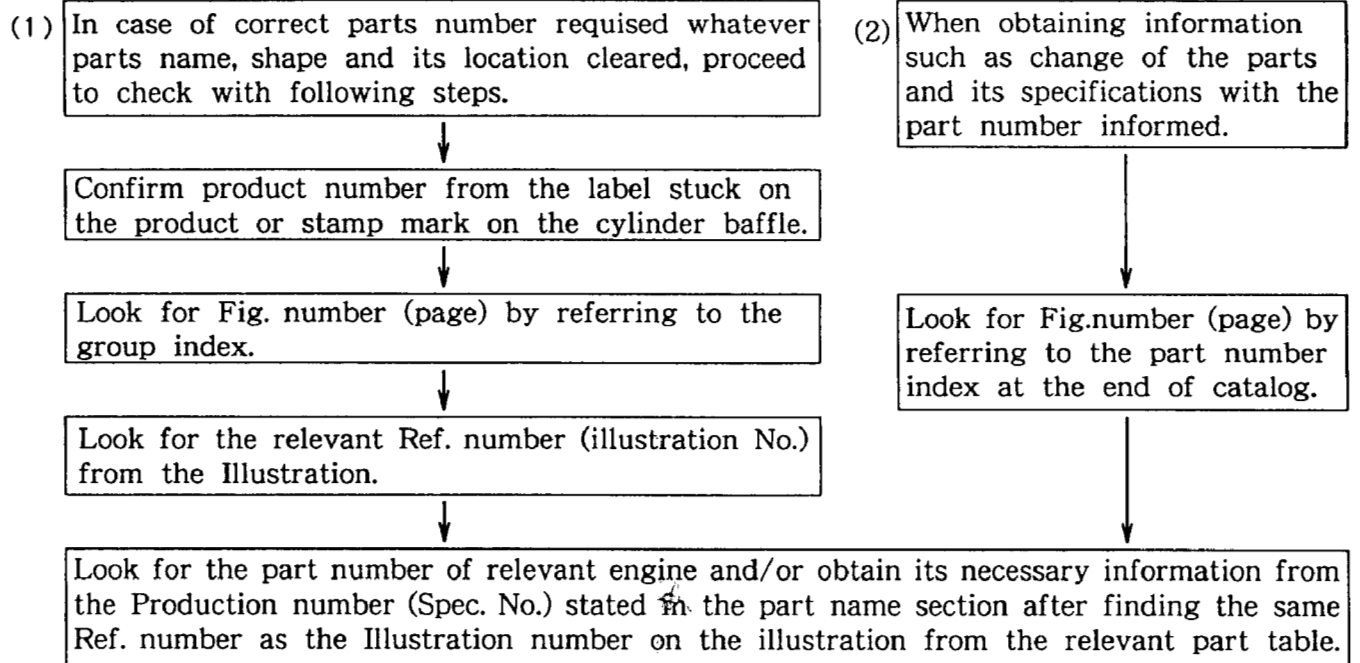
The parts catalog lists service/maintenance parts, based on the product number "EC030ER0201", employed in engines stated below.



PRODUCT NO.	EC030ER0201 ER0202 EC040ER0201
-------------	--------------------------------------

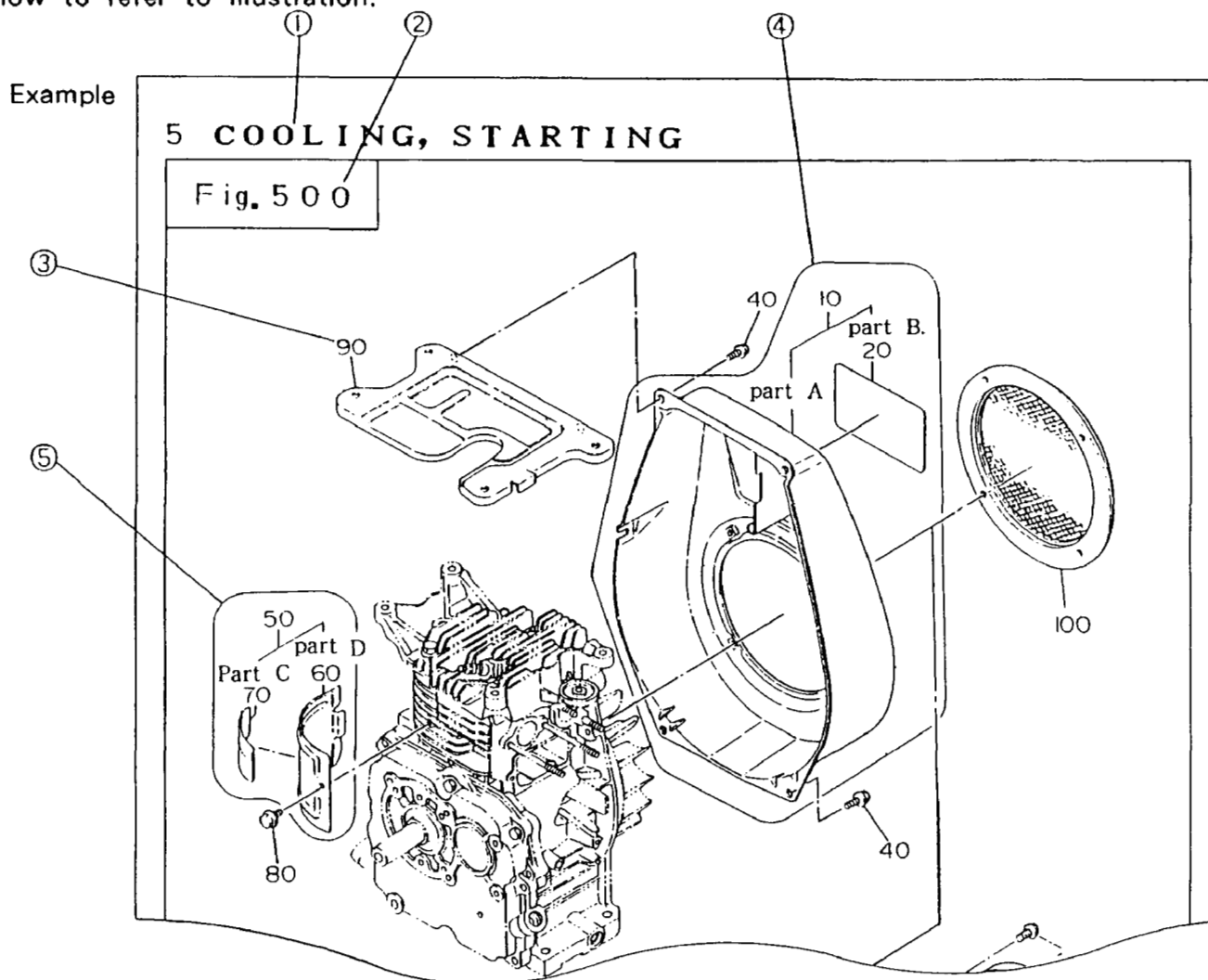
- Note. 1. Be sure to refer to the updated catalog after revised catalog has been issued.  
2. The catalog is subject to change, deletion, and becoming "not for sale" without advance notice.

## ■ 2. How to identify part number



### ■ 3. How to refer to part catalog.

#### 1. How to refer to Illustration.



Do not make any engine maintenance by depending only on the catalog because the illustrations on the catalog are intended to provide parts location and their shape, and ordering information.

- ① Section name ..... Identical with the section name in the section index.
- ② Fig.number ..... Shows illustration number corresponding to the Fig.number in the part table.
- ③ Ref.number ..... Corresponds to Ref.number in the part table.
- ④ Ref.number Interpretation 1 ..... The part indicated by Ref.number 10 in the above illustration consists of part A and part B.  
Part A is available in the form of either assembly of Ref. number 10 (AY) or of complete unit of part A (CP).  
Part B is available as the part B itself.
- ⑤ Ref. number Interpretation 2 ..... Part C and D are available in the form of either assembly of Ref. number 50 (AY) or of complete unit of each part (CP).

## 2. How to refer to part table

Example

1 CRANKCASE GROUP								
REF. NO.	PART NUMBER		PART NAME		CODE NO.		INTERCHANGEABLE PART NUMBER	FIG. NO.
				SPEC. NO.	FROM	TO		
80	040-11400-30		PLUG		-		040-11400-31	100
90	021-11400-20		GASKET (CRANKCASE)		-			100
210	234-11001-01		MAINBEARING COVER CP		-			100
	234-10901-01			EY280BS0000	-			100
				EY280BS7100	-			100
	021-31600-10			EY280BS7600	-			
290	234-16001-03			EY280BS7100	-			100
300	001-14082-80		BOLT AND WASHER AY		-			100
330	*****		LABEL					
	073-20025-10			EY280D52020	-			100
610	234-13001-23		CYLINDER HEAD		0091-			100
	234-13001-13		CYLINDER HEAD		0001-0090		234-13001-23	100
	234-13001-03		CYLINDER HEAD		-0000			100

- ① Section name ..... Identical with the section name in the section index and the illustration.
- ② Fig. number ..... Equals to number in the illustration.  
Refer to the illustration with the Fig. number stated in this section for identifying the part specified in Ref. number ③.
- ③ Ref.(reference) number ..... Corresponds to the Ref. number in the illustration.
- ④ Part number ..... This is a part number in the basic engine that is used in the product number other than exclusive part number in ⑤ specified by the product number stated in section ⑦.
- ⑤ Part number ..... Exclusive part number used in the product number stated in section ⑦.

- ⑥ Part name ..... Shows relevant part name with supplementary explanation such as its features and associated information.
- ⑦ Product number ..... When using a different part number from that on the basic engine, this section describes exclusive product number and exclusive part number peculiar to the product number is specified in section ⑤.
- ⑧ Code number ..... Shows revision records and provides identification of the part number by referring to the code number.

0091 -	..... Part number ④ or ⑤ with code number after 0091.
0000 - 0090	..... Part number ④ or ⑤ with code number between 0000 and 0090.
- 0000	..... Part number ④ or ⑤ with code number before 0000.

- ⑨ Interchangeable part number ..... Interchangeable parts with the part numbers stated in the section ④ or ⑤.

⑩ : \* \* \* \* \* ..... Shows the part that is not used on the basic engine.

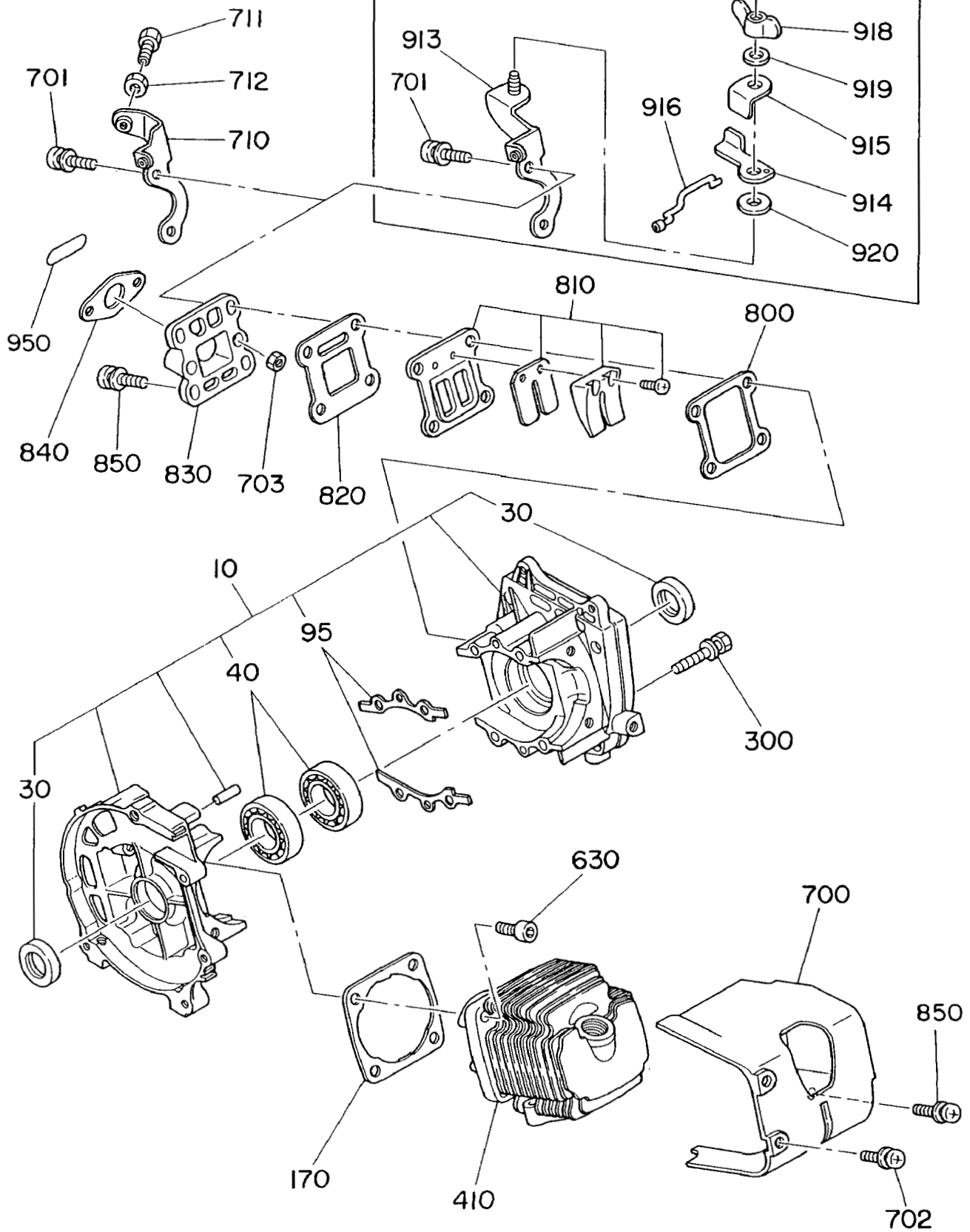
The parts stated in section ⑤ with this Ref. number (\* \* \* \* \*) are limited to be used only for the exclusive products shown in section ⑦.

# GROUP INDEX

SECTION NAME	FIG. No.	PAGE
1. CRANKCASE & CYLINDER .....	100	2
2. CRANKSHAFT & PISTON .....	200	4
3. MUFFLER & AIR CLEANER .....	300	6
5. RECOIL STARTER .....	500	8
6. FUEL TANK & CARBURETOR .....	600	10
7. MAGNETO .....	700	14
9. ACCESSORIES .....	900	16
PART NUMBER INDEX LIST .....		20



Fig. 100



**CRANKCASE & CYLINDER**

REF. NO.	PART NUMBER		PART NAME		CODE NO. FROM-TO	INTERCHANGEABLE PART NUMBER	FIG. NO.
		PART NUMBER		SPEC. NO.			
10	541-10050-00		CRANKCASE CP		-		100
30	044-01599-71		OIL SEAL		-	KN21-116A	100
40	060-01598-80		B BEARING 6230C3		-		100
95	541-15012-00		GASKET(CRANKCASE)		-		100
170	541-15005-00		CYLINDER PACKING		-		100
300	011-90599-40		BOLT		-	EC03-9302	100
410	532-15000-00		CYLINDER		-		100
	541-15003-00		EC040ER0201		-		100
630	011-90699-90		BOLT,6X18		-	EC03-152	100
700	541-55003-00		CYLINDER COVER		-		100
701	004-35052-20		SCREW AY		-		100
702	004-37051-40		SCREW AND WASHER AY		-		100
703	002-17050-00		NUT		-		100
710	541-45000-00		BRACKET(WIRE)		-		100
711	014-90699-81		ADJUSTING SCREW		-	014-90600-40	100
712	002-27060-00		NUT		-		100
800	541-35028-00		PACKING		-		100
810	541-30070-00		LEAD CP		-		100
820	541-35012-00		PACKING		-		100
830	541-35033-00		INSULATOR		-		100
840	541-65023-00		GASKET(CARBURETOR)		-		100
850	004-37052-00		SCREW AND WASHER AY		-		100
913	541-40010-00		THROTTLE LEVER CP		-		100
914	541-45001-00		THROTTLE LEVER		-		100
915	541-45003-00		STOP PLATE		-		100
916	541-40020-00		ROD CP		-		100
917	129-45001-03		CRIP		-		100
918	017-80600-10		WING NUT		-		100
919	020-00700-10		WASHER		-		100
920	021-70600-20		FRICTION WASHER		-		100
950	*****		LABEL				
	530-95023-00		EC030ER0202		-		100

Fig. 200

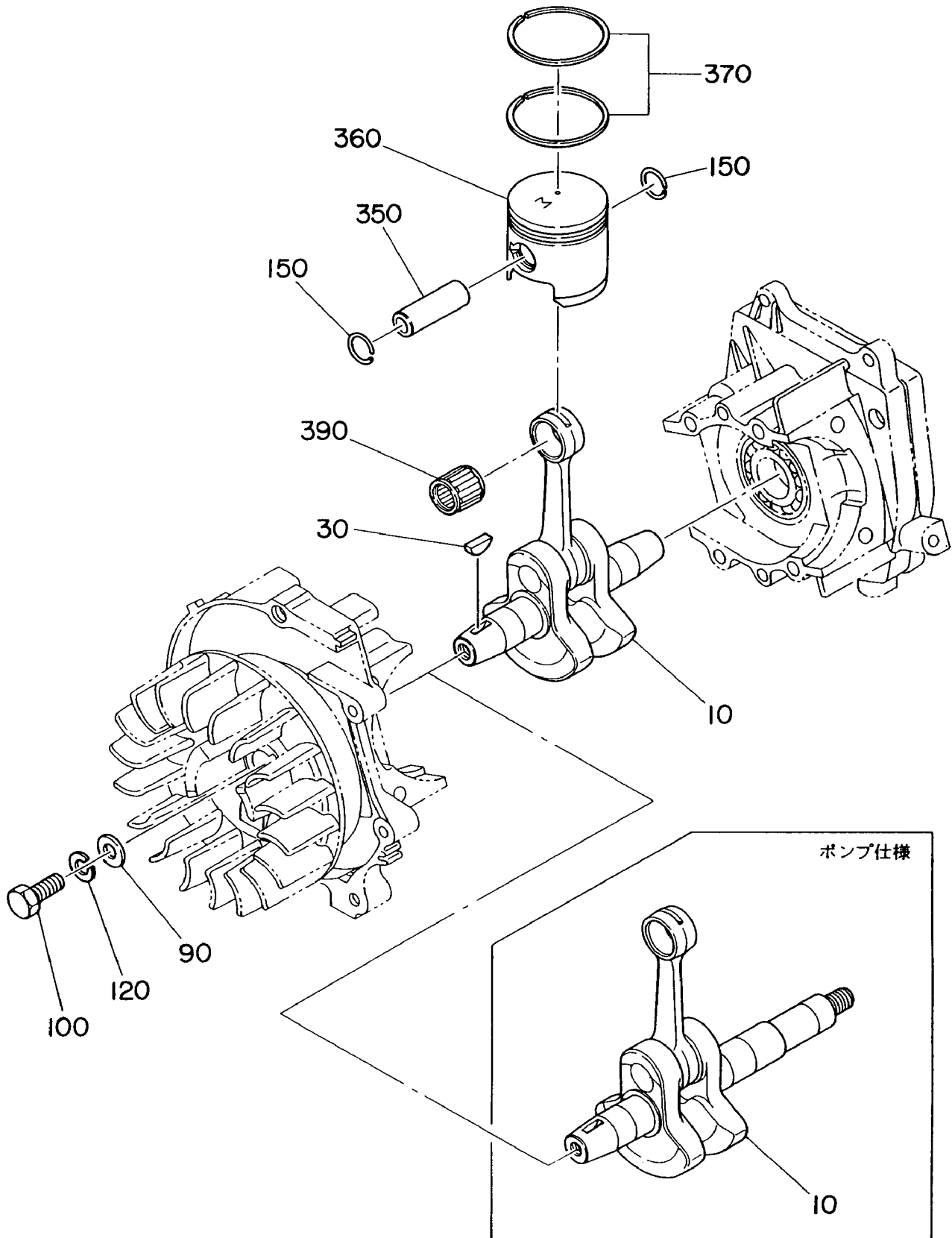




Fig. 300

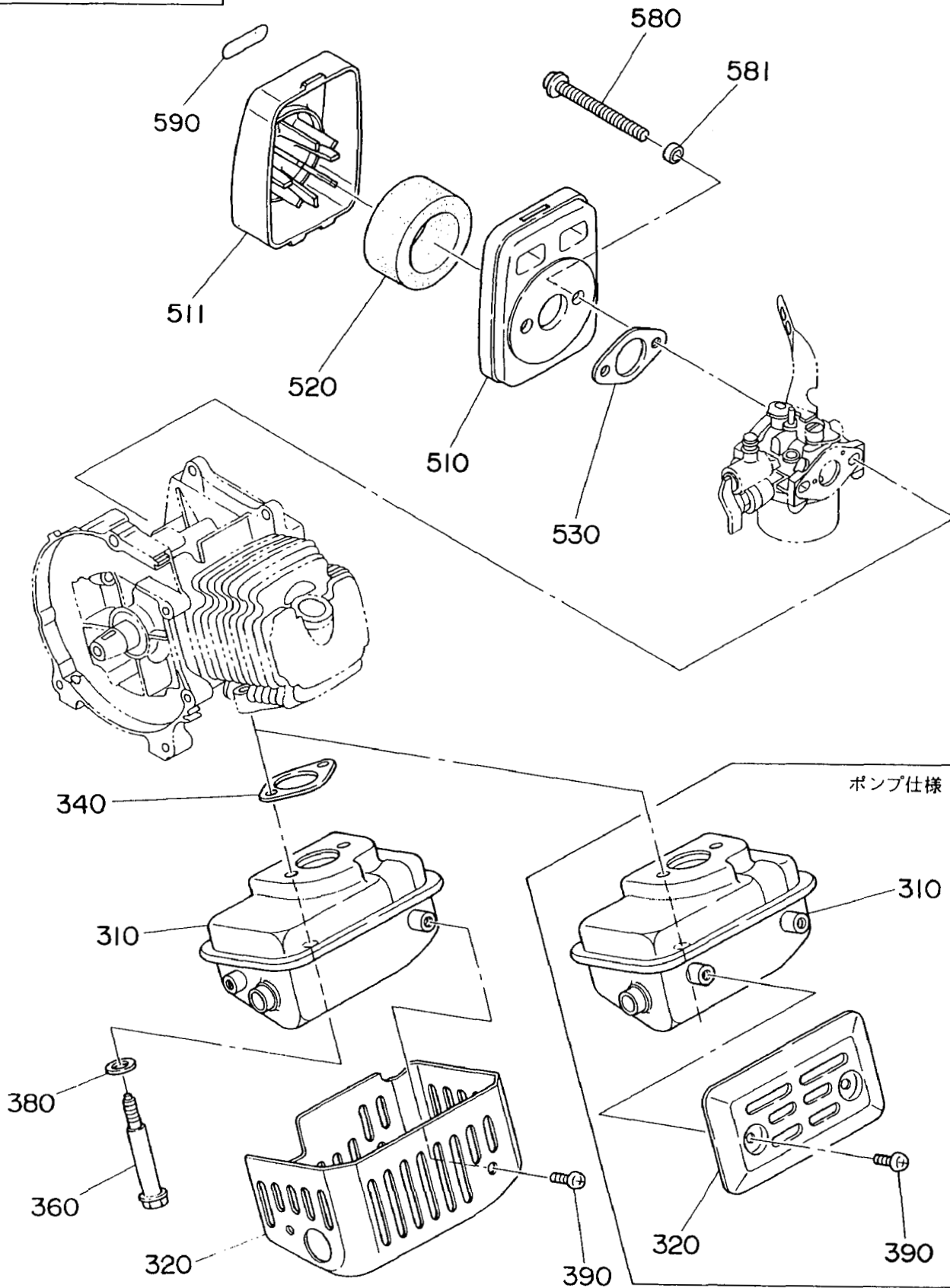




Fig. 500

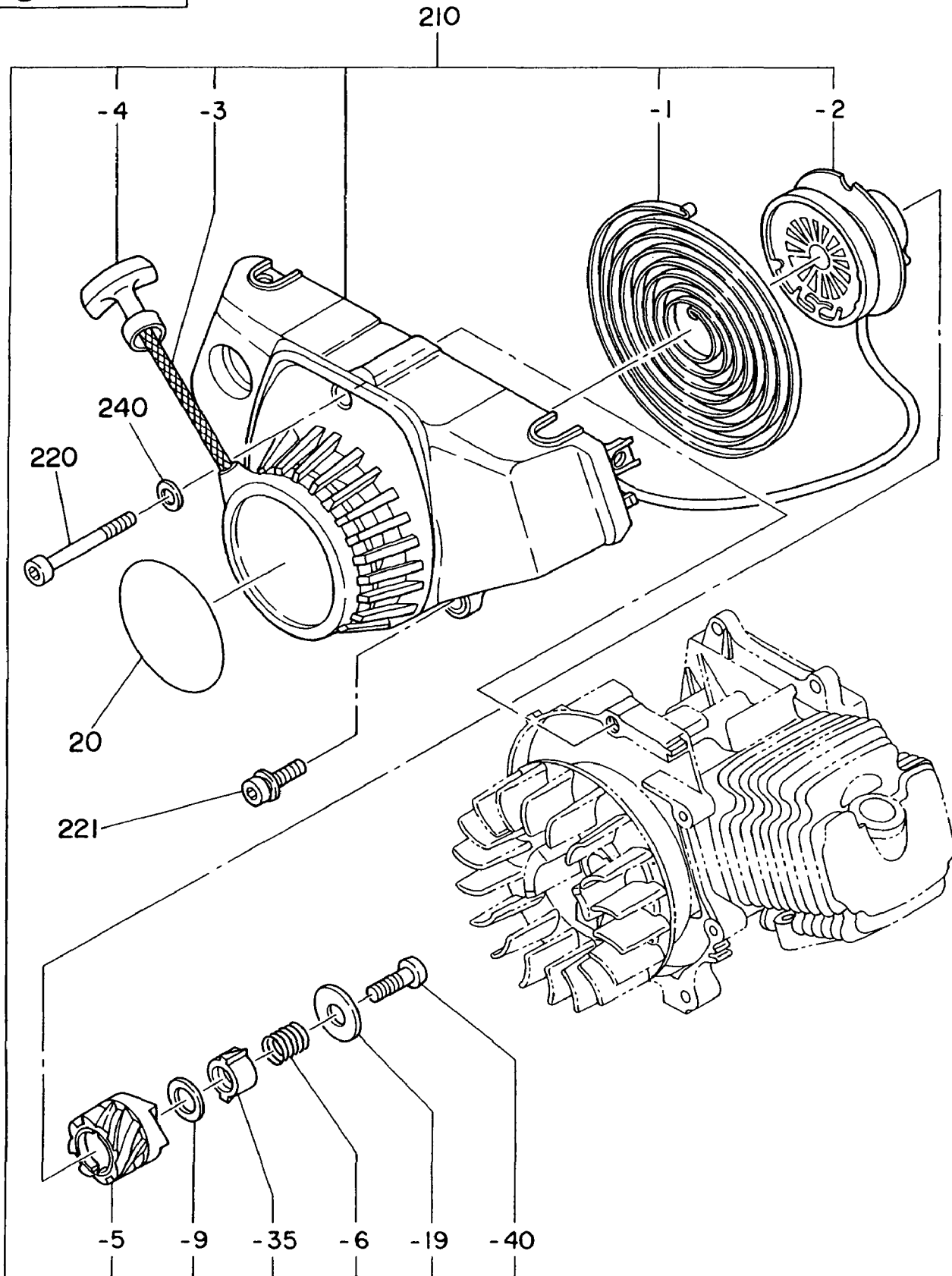
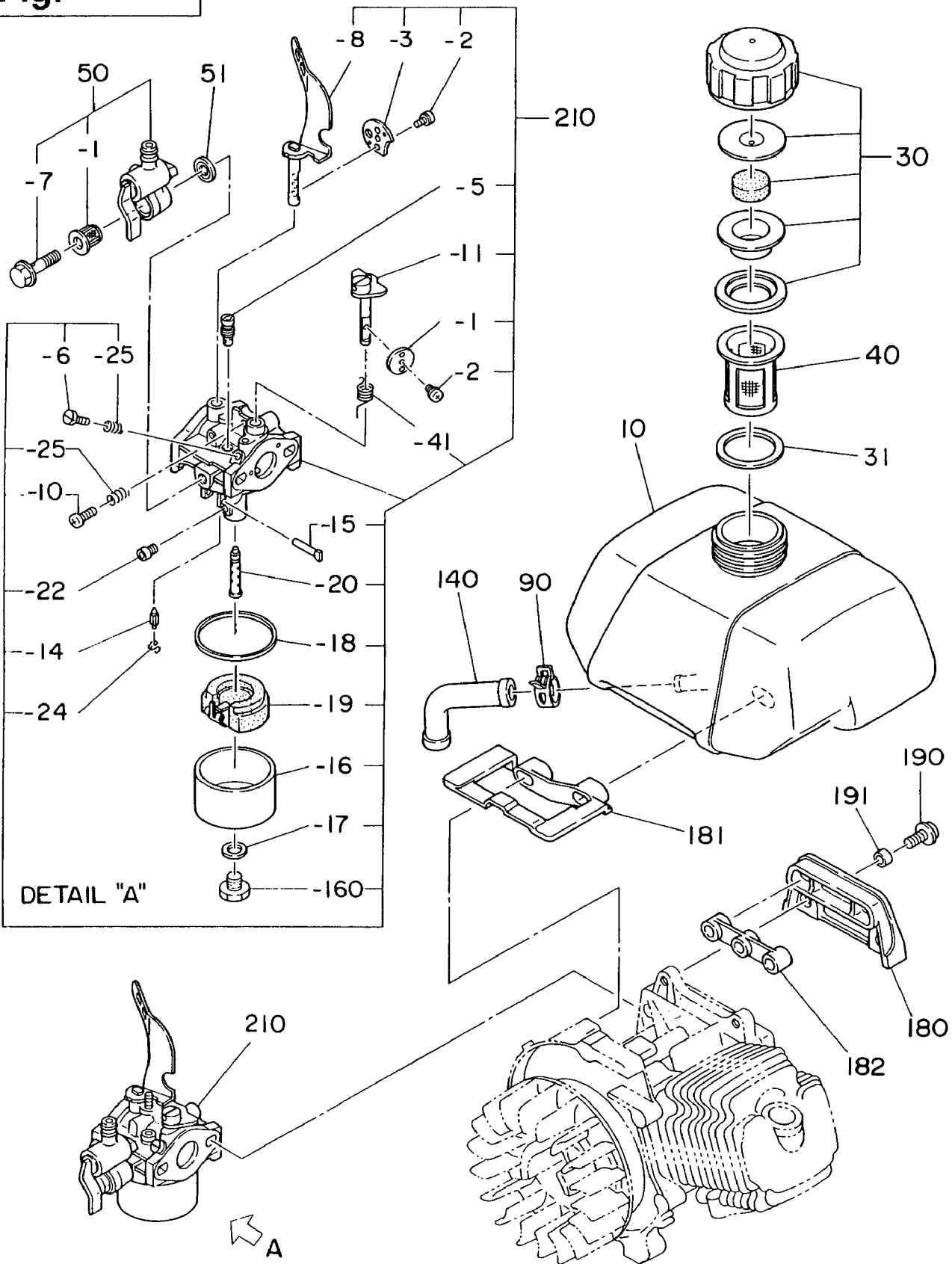






Fig. 600



DETAIL "A"

A

6 FUEL TANK & CARBURETOR

REF. NO.	PART NUMBER		PART NAME		CODE NO.	INTERCHANGEABLE	FIG. NO.
		PART NUMBER		SPEC. NO.	FROM-TO	PART NUMBER	
10	541-65012-00		FUEL TANK		-		600
30	510-60130-00		FUEL TANK CAP AY		-		600
31	551-65005-00		PACKING		-	EC05A-6111	600
40	064-12799-90		FILTER		-		600
50	541-60100-00		STRAINER COCK AY		-		600
- 1	541-65022-00		FILTER, STRAINER		-		600
- 7	541-65021-00		PIPE BOLT		-		600
51	690-45005-00		SEAL WASHER		-		600
90	056-11399-82		HOSE CLAMP		-	EC03-6102B	600
140	541-65002-00		FUEL HOSE		-		600
180	541-65003-00		TANK BRACKET		-		600
181	541-65019-00		RUBBER CUSHION(A)		-		600
182	541-65011-00		RUBBER CUSHION(B)		-		600
190	004-34051-40		SCREW AND WASHER AY		-		600
191	023-00599-90		SPACER		-	EC01A-6027	600
210	541-60020-00		CARBURETOR AY		-		600
- 1	230-62537-08		THROTTLE VALVE		-		600
- 2	237-62451-08		SCREW		-		600
- 3	230-62527-08		CHOKE SHAFT AY		-		600
- 5	209-62421-08		PILOT JET		-		600
- 6	213-62390-08		ADJUSTER		-		600
- 8	541-60021-40		CHOKE SHAFT AY		-		600
- 10	209-62352-08		SCREW		-		600
- 11	541-60021-30		THROTTLE SHAFT AY		-		600
- 14	541-60023-10		NEEDLE AY		-		600
- 15	214-62515-08		PIN		-		600
- 16	230-62550-08		FLOAT CHAMBER BODY		-		600
- 17	209-62345-08		WASHER		-		600
- 18	206-62540-08		CHAMBER PACKING		-		600
- 19	541-60022-10		FLOAT AY		-		600
- 20	541-60022-20		MAIN NOZZLE		-		600
- 22	128-62400-08		MAIN JET		-		600
- 24	230-62454-08		CLIP		-		600
- 25	210-62318-08		SPRING		-		600
- 41	541-60020-40		SPRING		-		600

89/09/26





Fig. 700

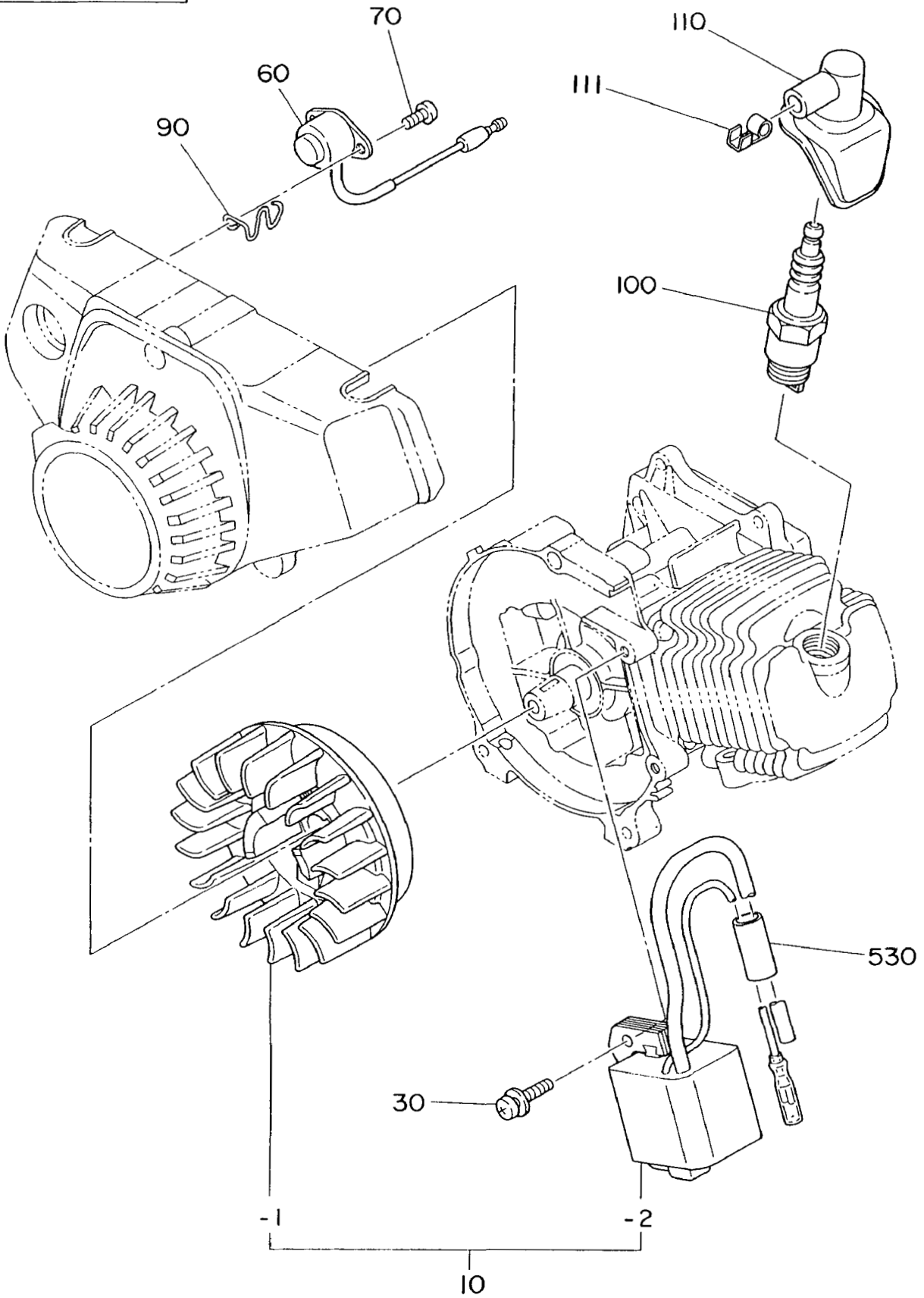
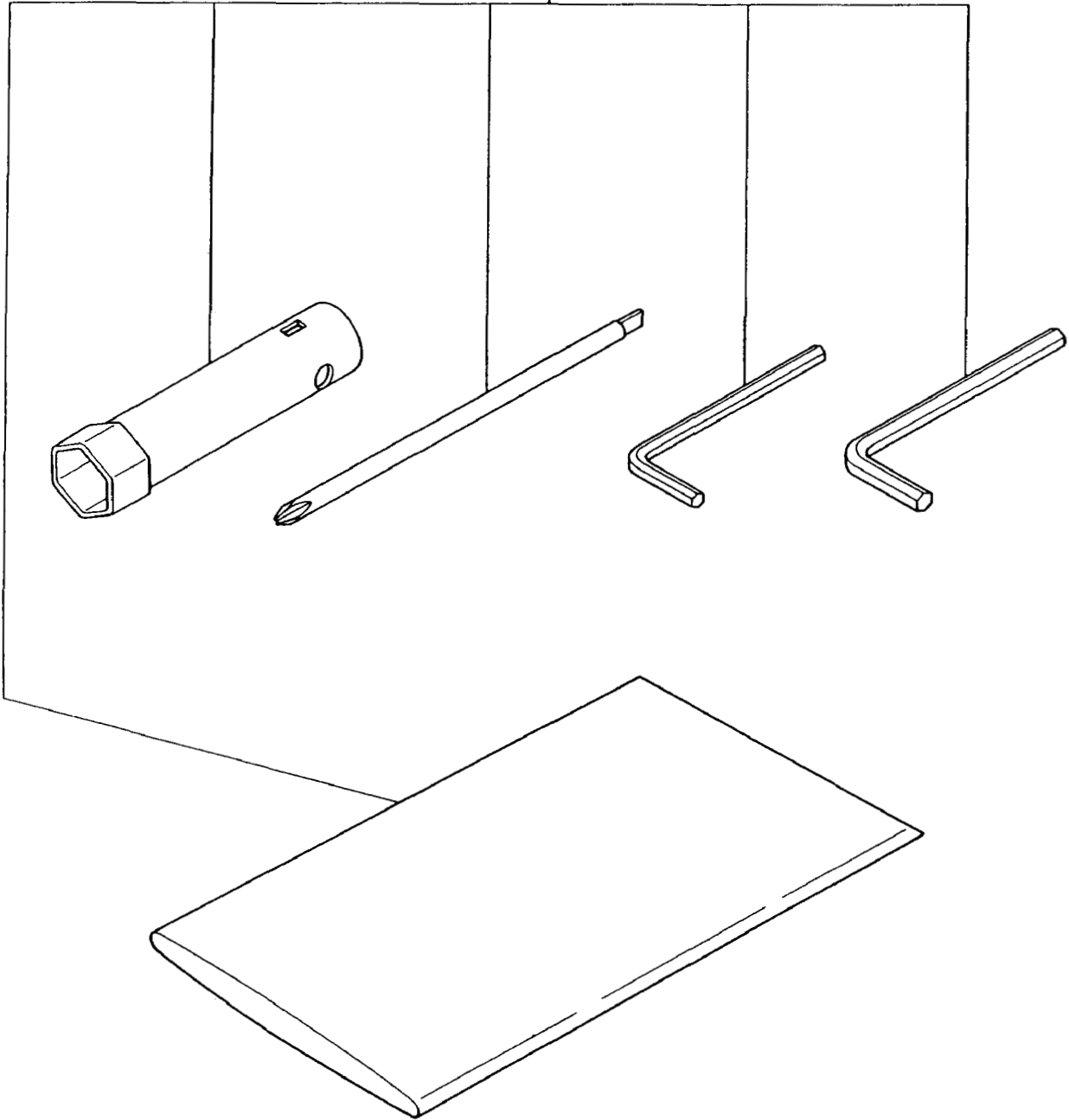




Fig. 900

10











**Robin America, Inc.**

940 Lively Blvd., Wood Dale, IL 60191 • Tel: (708) 350-8200 • Fax: (708) 350-8212