

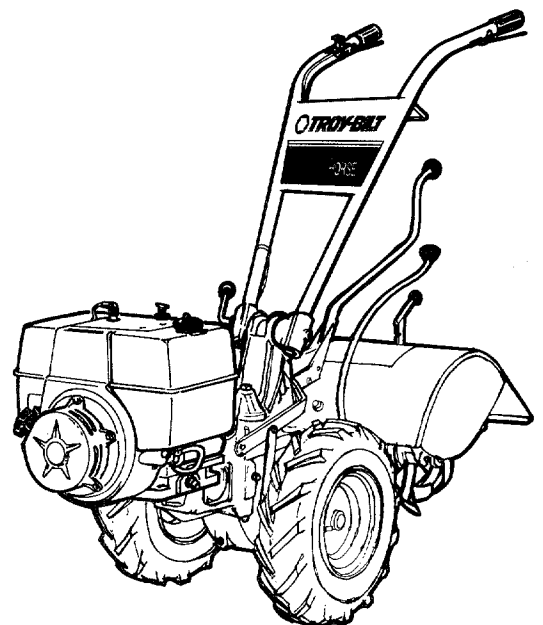


Parts Catalog

PTO HORSE Tiller

Models

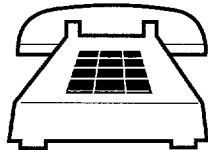
- 12068 (7HP I/C Standard)
- 12069 (7HP I/C Electric)
- 12070 (8HP Standard)
- 12071 (8HP Electric)



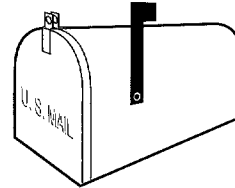
GARDEN WAY INCORPORATED

Not For Resale

www.SmallEngineDiscount.com



HOW TO REACH US



Address	Hours	Toll-Free Telephone Numbers
In the U.S.A: Garden Way Incorporated 102nd Street & 9th Avenue Troy, New York 12180	Mon.-Fri.: 8 a.m. to 7:00 p.m. Sat. 9 a.m. to 4 p.m.	For Parts Sales: 1-800-648-6776 For Technical Service: 1-800-833-6990
In Canada: Garden Way Incorporated 320 Van Sickle Road, Unit 12 St. Catharines, Ontario L2R 6P7	Mon.-Fri.: 8 a.m. to 5:00 p.m.	For Parts Sales or Technical Service: 1-800-225-3585



CAUTION

We urge that you use only genuine TROY-BILT® replacement parts, which meet all of the latest requirements. Replacement parts manufactured by others could present safety hazards even though they may fit on this product.

Not For Resale
www.SmallEngineDiscount.com

PARTS ORDERING INFORMATION

Parts for your machine may be ordered from your local servicing dealer or directly from the Factory (see factory address and phone numbers on page at left). Please remember that we or your local dealer will need to know the identification numbers of your machine to give you the most efficient service. Please see below for how to identify and record the identification numbers for your machine.

When ordering parts, please be sure to provide the following information:

1. The SERIAL NUMBER of your machine.
2. The PART NUMBER of the part.
3. The PART DESCRIPTION.
4. The QUANTITY needed.

If you need engine service or parts:

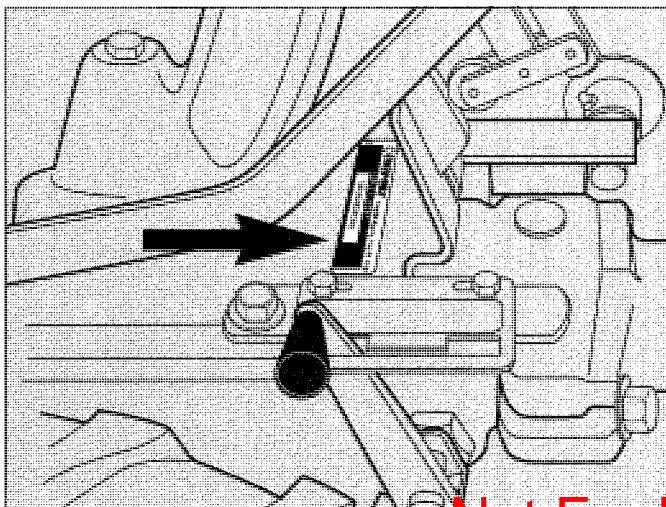
For engine service or parts, please contact your local authorized engine dealer. Look in the Yellow Pages of your phone book under "Engines-Gasoline" for the name of your nearest authorized engine dealer. An authorized dealer can handle all parts, repairs, and warranty service concerning the engine. NOTE: Some parts on your engine are exclusive to this machine and may not be available from the engine dealer. Refer to the engine drawings in this Parts Catalog to identify and order these exclusive parts.

IDENTIFICATION NUMBERS

Please write the Model and Serial Numbers of your machine in the spaces provided below. You can find the location of these numbers by referring to the following illustration.

Model Number: _____

Serial Number: _____

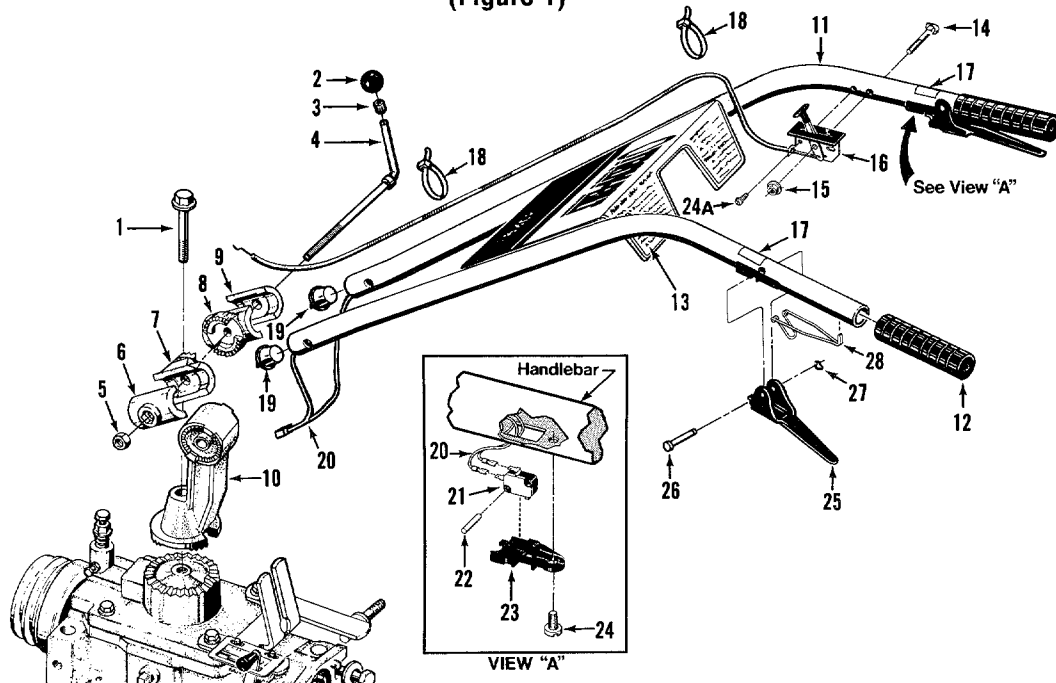


All references to left, right, front and rear of the machine are determined by standing in the operator's position and facing the direction of forward travel.

IMPORTANT:

Some replacement parts that you receive may vary slightly in shape, color, or texture from the original parts. This is because certain parts are supplied to us by more than one manufacturer. Please be assured, however, that all parts must conform to our rigid quality specifications, and any slight variations will not affect the fit or performance of these parts.

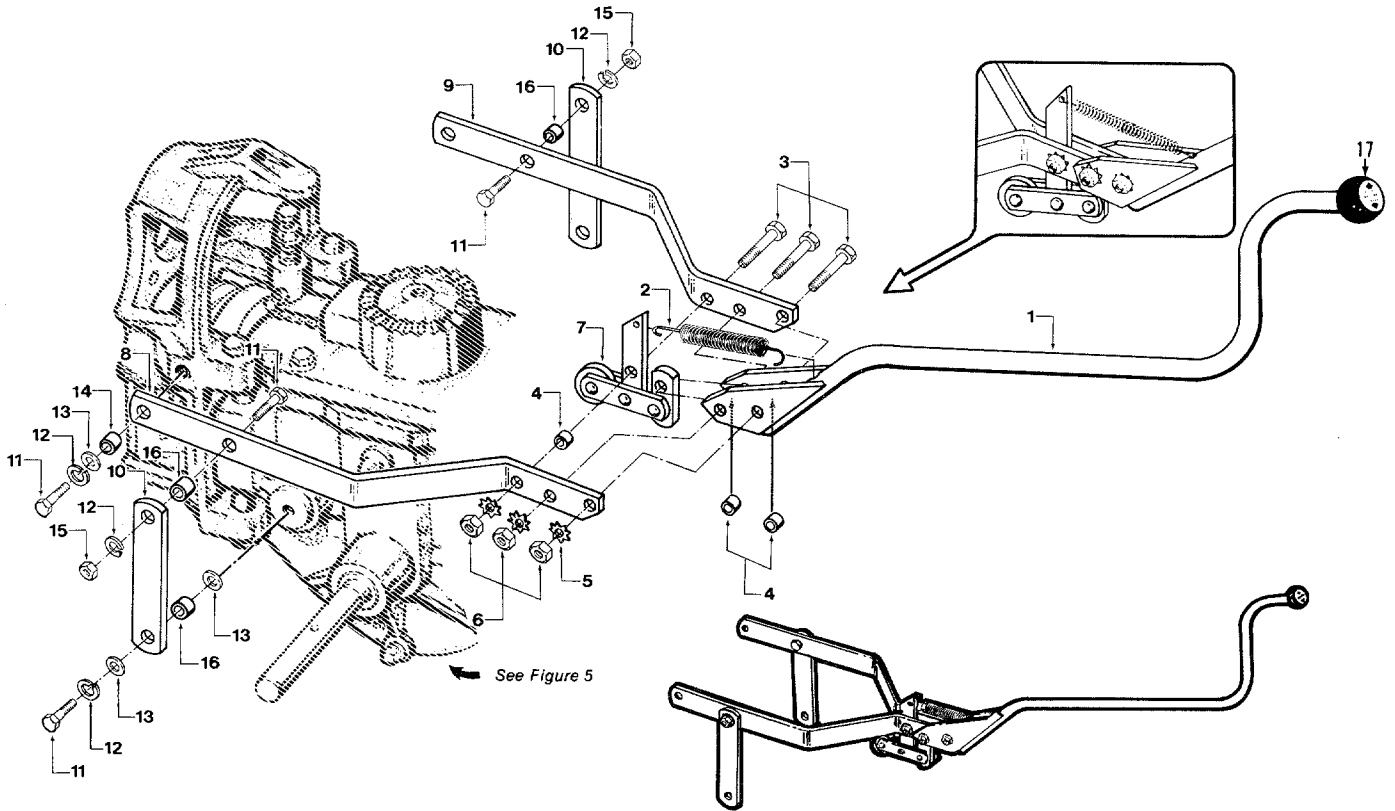
**HANDLEBAR ASSEMBLY
(Figure 1)**



REF No.	PART No.	DESCRIPTION	QTY.
1	9548	Bolt—Hex hd., flanged self-locking Grade 5, 1/2-13 x 3-1/2"	1
2	9119	Knob—handlebar height adjustment (Incl. Ref. No. 3)	1
3	9120	Ring—retaining (tolerance ring).....	1
4	1881	Stud—handlebar height adjustment (Incl. Ref. No.'s 2,3 and 5)	1
5	9803	Nut—hex, 1/2"-13.....	1
6	1900854010	Clamp—left, handlebar height adjustment	1
7	1900856010	Ratchet—left, handlebar height adjustment	1
8	1900857010	Ratchet—right, handlebar height adjustment	1
9	1900855010	Clamp—right, handlebar height adjustment	1
10	1900858010	Base—handlebar mounting	1
11	2704	Handlebars—(Incl. 2 of each Ref. No.'s 12, 17 and 28 and 1 Ref. No. 13).....	1
12	9125	Grip—handlebars	2
13	2715	Decal—operator control panel.....	1
14	9547	Bolt—curved head G5, 1/4-20 x 2" ..	1
15	9844	Nut—hex, flanged self-locking, whiz lock, 1/4"-20.....	1

REF No.	PART No.	DESCRIPTION	QTY.
16	9444	Throttle Control & Cable—Briggs& Stratton engine only (also see Ref. No. 24A).....	1
16A	9650	Throttle Control & Cable—8HP Kohler engine only.....	1
17	1900763	Decal—Forward Interlock Lever	2
18	9202	Tie—plastic	2
19	9219	Plug—wire harness retainer	2
20	2551	Handlebar Wire Harness Assy—forward interlock system	1
21	9250	Handlebar Switch—forward interlock system	2
22	9385	Lock Pin—handlebar switch.....	2
23	2543	Switch Housing—handlebar switch.	2
24	90039	Screw—pan head, 10-24 x 1/2", thread-forming	2
24A	9733	Screw—Phillips head, 10-32 x 1/2", thread-forming	1
25	2546	Lever—forward interlock.....	2
26	9199	Pivot Pin—forward interlock lever...	2
27	9514	Retaining Ring—klip ring—forward interlock lever.....	2
28	9387	Return Spring—forward interlock lever	2

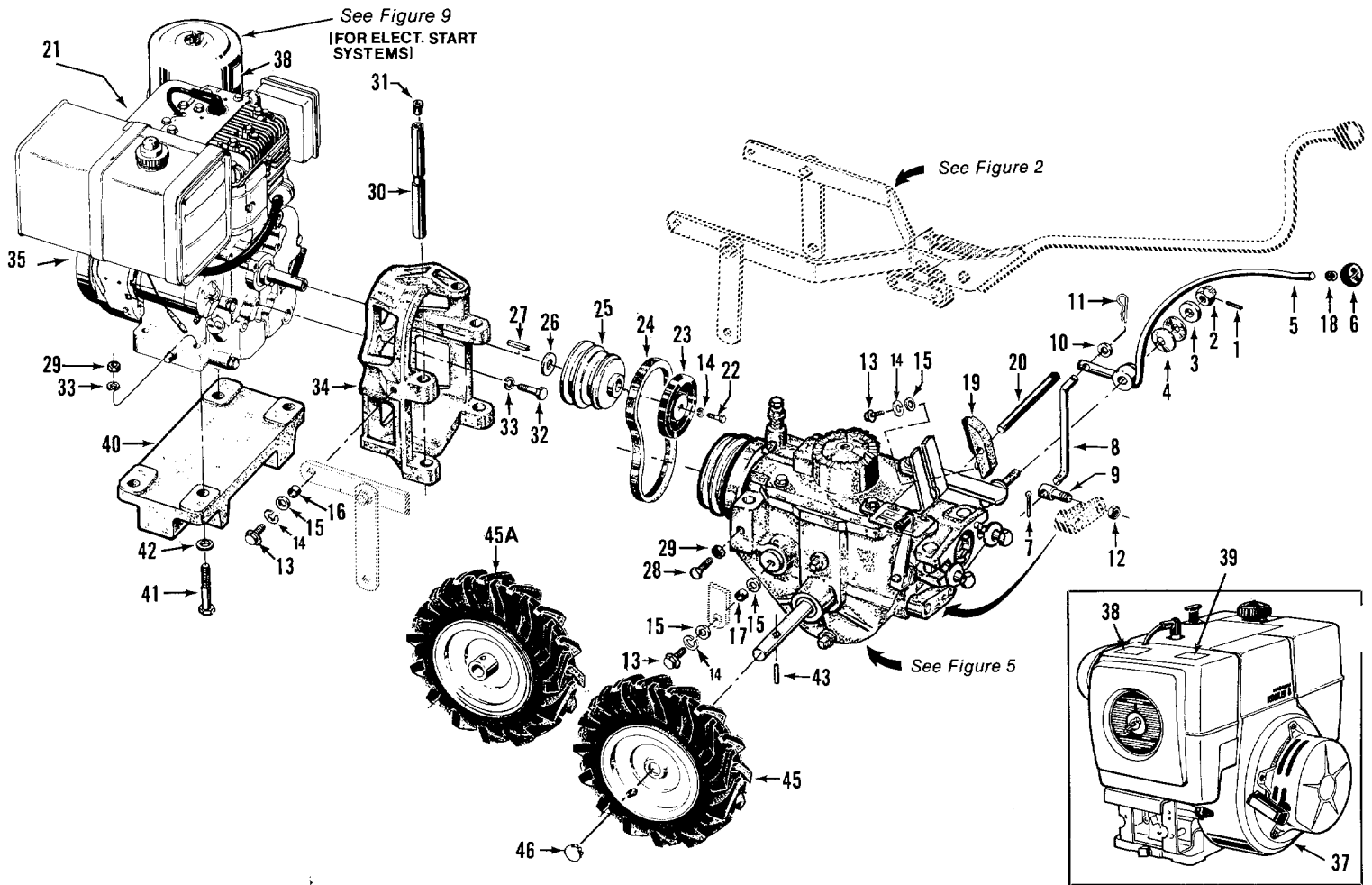
WHEELS/TINES/PTO DRIVE LEVER & YOKE ASSEMBLY
(Figure 2)



REF No.	PART No.	DESCRIPTION	QTY.
1	2574	Lever—Wheels/Tines/PTO Drive (Incl. knob w/decal)	1
2	1908156	Spring—clutch pawl	1
3	9466	Bolt—hex hd., 5/16-18 x 1-1/2"	3
4	2447	Bushing—3/8"	3
5	9919	Lockwasher—external tooth, 5/16"	3
6	9801	Nut—hex, 5/16"-18	3
7	2232	Roller Assembly	1
8	1900468010	Yoke—left side	1
9	1900469010	Yoke—right side	1

REF No.	PART No.	DESCRIPTION	QTY.
10	1900860010	Link—yoke pivot, left & right, 6-7/8" long	2
11	9710	Bolt—hex hd., 3/8-16 x 1"	6
12	9913	Lockwasher—spring lock, 3/8"	6
13	9904	Washer—flat, 3/8", S.A.E.	6
14	2146	Bushing—spacer, 21/64" (.325")	2
15	9802	Nut—hex, 3/8"-16	2
16	1113-1	Bushing—spacer, 19/64" (.300")	4
17	----	Knob—not avail. separately. See Ref No. 1

WHEEL SPEED LEVER, BELT DRIVE SYSTEM, ENGINES, WHEELS
(Figure 3)

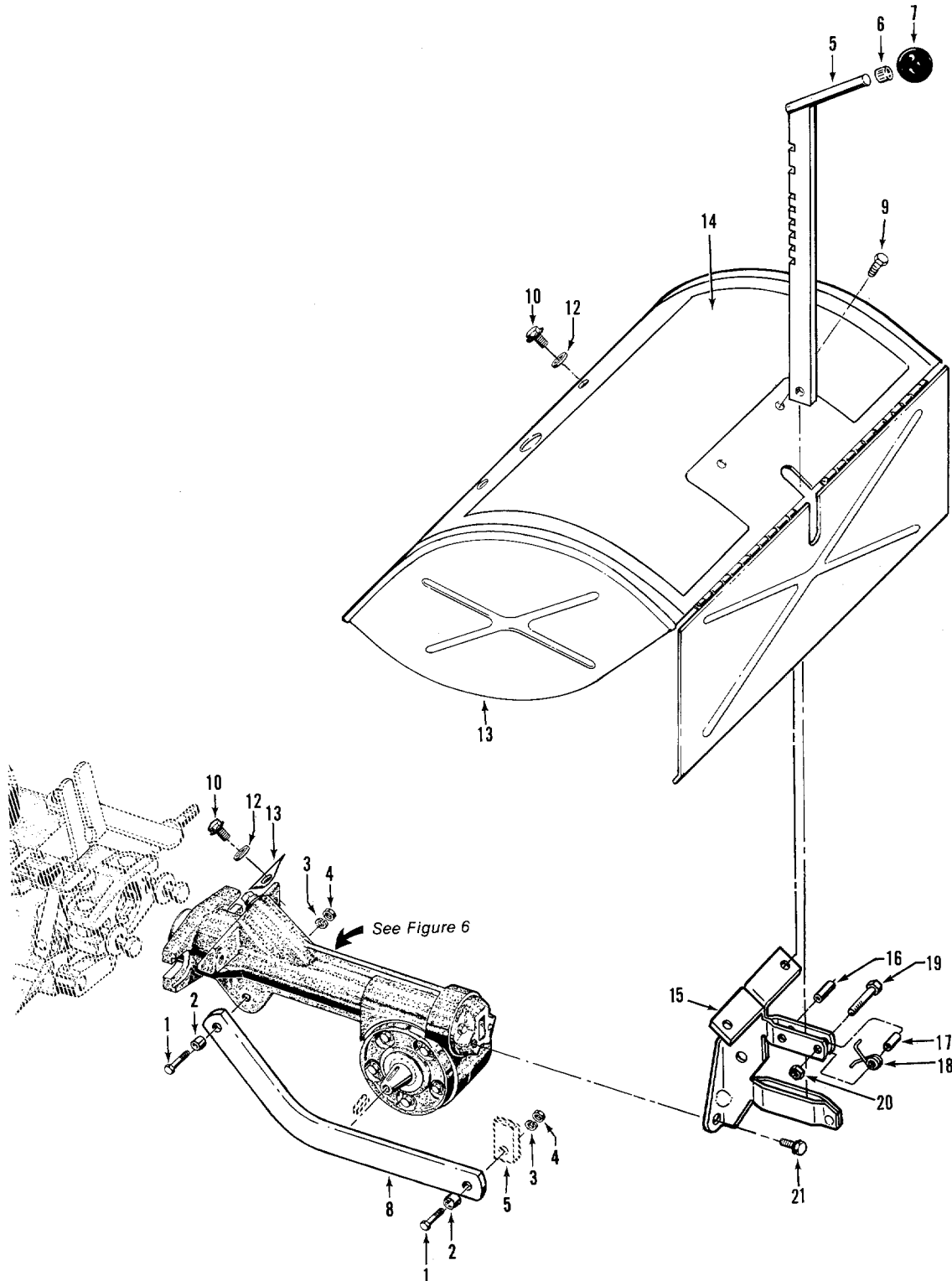


REF No.	PART No.	DESCRIPTION	QTY.	REF No.	PART No.	DESCRIPTION	QTY.
WHEEL SPEED LEVER				35	1901084	7HP Briggs & Stratton Engine—recoil start. Model No. 171432, Type No. 0529. Industrial/Commercial rated, solid state electronic ignition, horizontal crankshaft is turned down to 3/4" at PTO end to accept engine pulley. See NOTE 1 below.	1
1	9362	Pin—spring, 1/8"	1	35	1901085	7HP Briggs & Stratton Engine – electric start. Model No. 171437, Type No. 0530. Same as engine above, but with electric starting. For use with tillers already equipped with the Key Switch Starting System (see page 18). See NOTE 1 below.	1
2	9838	Nut—castle (slotted), 1/2"-20	1	37	1901086	8HP Kohler MagnumEngine—recoil start. Model No. M8T. Specification No. PS-301608. Solid state electronic ignition, horizontal crankshaft is turned down to 3/4" at PTO end to accept engine pulley. See NOTE 1 below.	1
3	9934	Washer—shoulder, 1/2"	1	37	1901087	8HP Kohler Magnum Engine—electric start. Model No. M8ST. Specification No. PS-301609. Same as engine above, but with electric starting. For use with tillers already equipped with the Key Switch Starting System (see page 18). See NOTE 1 below	1
4	9932	Washer—disc spring	2	38	55053	Decal—hot surface safety warning..	2
5	2628	Lever—wheel speed shift (incl. Ref. No.'s 6 and 18)	1	39	1900767	Decal—engine stabilization, for Kohler engine	1
6	1902240	Knob—wheel speed shift lever (incl. Ref. No. 18 and plastic decal inlay)	1	40	2522	Engine Weight—for Briggs & Stratton engine only	1
7	9317	Pin—cotter, 3/32" x 1"	1	41	9966	Bolt—hex hd., 5/16-18 x 2-1/4", Grade 5	2
8	1231	Rod—connecting rod, wheel speed shift lever	1	42	20553	Spacer—zinc plated	2
9	1033	Swivel—connecting rod	1	WHEEL & TIRE ASSEMBLIES			
10	9902	Washer—flat, 5/16", S.A.E.	1	43	9322	Pin—roll, 5/16" x 1-1/2"	2
11	9338	Pin—hair cotter	1	45	2709-01	Wheel & Tire Assy—bar tread, left side, 4:80 x 8" tubeless tire with valve stem, mounted on single-piece steel wheel	1
12	9808	Locknut—hex hd., 5/16"-18	1	45A	2709-02	Wheel & Tire Assy—bar tread, right side. Same as above but for right side of tiller	1
13	9710	Bolt—flanged hex hd., 3/8-16 x 1" ..	5	46	1902020	Cap—wheel hub	2
14	9913	Lockwasher—spring lock, 3/8"	5	ENGINES AND ENGINE MOUNT			
15	9904	Washer—flat, 3/8", S.A.E.	7	28	90008	Bolt—hex hd., 5/16-18 x 1", Grade5..	2
16	2146	Bushing—spacer, 21/64" (.325"lg.)	2	29	9801	Nut—hex, 5/16"-18	4
17	1113-1	Bushing—spacer, 19/64" (.300"lg.)	2	30	1034	Bar—engine mounting	2
18	9120	Ring—retaining (tolerance ring)	1	31	9147	Plug—thread protector, red plastic.	2
19	1920	Block—belt adjustment, 3-7/8" (incl. Ref. No.'s 13,15, and 20)	1	32	9572	Bolt—hex hd., 5/16-24 x 1-1/8"	4
20	2100	Rod—belt adjust., 7" with measuring gauge	1	33	9912	Lockwasher—spring lock, 5/16"	6
21	1900766	Decal—engine stabilization, for Briggs & Stratton engine	1	34	2565	Mount—engine to tiller	1
22	9715	Bolt—hex hd., 3/8-24 x 1-1/2"	1	NOTE 1 —Please call or write Technical Service Dept. before ordering replacement engine.			
23	1919	Disc—reverse, (incl. Ref. No. 19) ...	1	NOTE 2 —For correct traction and directional control, Bar tread Tires Should be mounted on the tiller so that the closed end of the "V" in the tire tread on top of the tire will face forward.			
24	9245	Belt—forward drive (no substitute recommended due to extra strength required)	1	Not For Resale			
25	1483	Pulley—engine power take off	1	www.SmallEngineDiscount.com			
26	1138-1	Shim—engine pulley, 1/16" thick	As Req'd				
26	1138-2	Shim—same as above, 1/32" thick .	As Req'd				
27	9303	Key—engine pulley, 3/16"sq. x 2-1/2"	1				

NOTE 1—Please call or write Technical Service Dept. before ordering replacement engine.

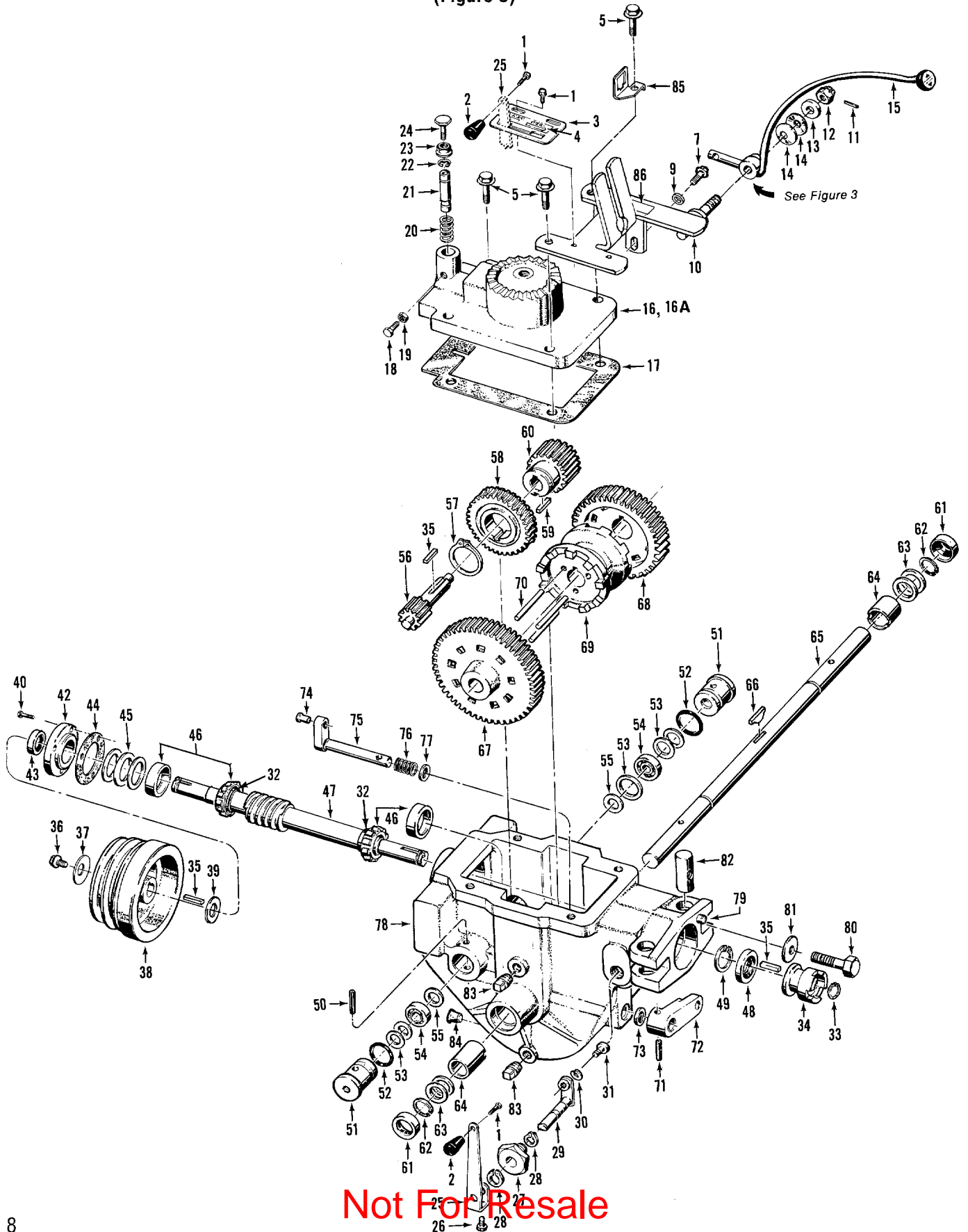
NOTE 2—For correct traction and directional control, Bar tread Tires Should be mounted on the tiller so that the closed end of the "V" in the tire tread on top of the tire will face forward.

DEPTH REGULATOR & TINE HOOD ASSEMBLIES
(Figure 4)



REF No.	PART No.	DESCRIPTION	QTY.	REF No.	PART No.	DESCRIPTION	QTY.
1	9712	Bolt-hex hd., 3/8-16 x 1-1/4"	2	11	----	This Ref. No. not used	
2	1113-1	Bushing-19/64" (.300" lg.)	2	12	9929	Washer-flat, 5/16"	2
3	9913	Lockwasher-spring lock, 3/8"	2	13	2629	Hood-(incl. Ref. No. 14)	1
4	9802	Nut-hex, 3/8"-16	2	14	2719	Decal-hood, operating instructions.	1
5	1117A	Bar-depth regulator (incl. Ref. No.'s 6 and 7)	1	15	2527	Bracket-(incl. Ref. No. 16)	1
6	9120	Ring-retaining	1	16	9308	Pin-roll (spiro) 1/4" x 1"	1
7	9119	Knob-depth regulator (incl. Ref. No. 6)	1	17	9534	Spacer	1
8	1900867010	Bar-drag, depth regulator	1	18	9384	Spring	1
9	9552	Screw-thread-forming, 1/4-20 x 1/2"	2	19	9734	Bolt-hex hd., 1/4-20x1"	1
10	90044	Bolt-flanged hex hd., 5/16-18 x 3/4"	2	20	9811	Locknut-1/4"-20	1
				21	90038	Bolt-flanged hex hd., 5/16-18 x 5/8"	2

POWER UNIT TRANSMISSION ASSEMBLIES
(Figure 5)



Not For Resale

www.SmallEngineDiscount.com

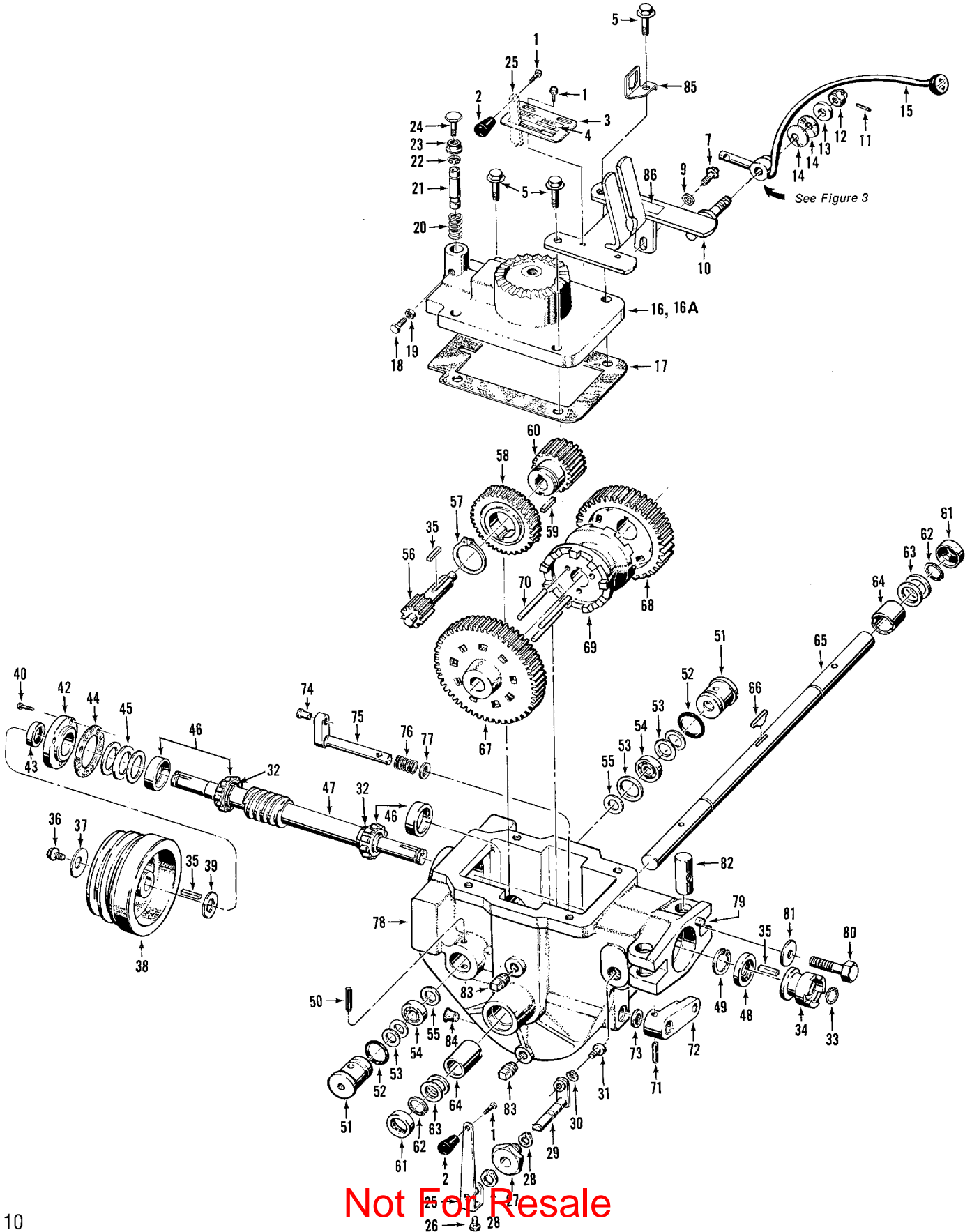
REF No.	PART No.	DESCRIPTION	QTY.
TRANSMISSION COVER & SHIFT LEVER BRACKET ASSEMBLIES			
1	9782	Bolt-hex hd., #10-32 x 3/8", self-locking flange.....	3
2	9463	Knob-tines/PTO clutch lever, tapered, plastic	1
3	2263	Detent Plate-tines/PTO clutch lever (incl. Ref. No. 4)	1
4	1900758	Decal-operating instructions, detent plate	1
5	90047	Bolt-flanged hex hd., 3/8-16 x 1-1/2"	4
6	----	This Ref. No. not used	
7	90044	Bolt-flanged hex hd., 5/16-18 x 3/4", Grade 5	1
8	----	This Ref. No. not used	
9	9902	Washer-flat, 5/16", S.A.E.	1
10	1900870010	Bracket-shift levers (incl. Ref. No. 86).....	1
11	9362	Pin-spring, 1/8"	1
12	9838	Nut-castle (slotted), 1/2"-20, call Tech Service for tightening instructions.	1
13	9934	Washer-shoulder, 1/2"	1
14	9932	Washer-disc spring	2
15	----	Lever-wheel speed shift (see page 4, Ref. No. 5 for part number) ...	1
16	1900869010	Cover-power unit transmission	1
16A	2566	Cover-power unit transmission (incl. Ref. No.'s 18,19, 20, 21, 22, 23 and 24)	1
17	1123	Gasket-transmission cover	1
18	90008	Bolt-hex hd., 5/16-18 x 1", Grade 5, (remove with care)	1
19	9801	Nut-hex, 5/16"-18	1
20	1901439	Spring-neutral plunger (remove with care)	1
21	1035	Plunger-neutral (remove with care) (incl. Ref. No. 22)	1
22	1901440	Clip Ring-retains neutral plunger..	1
23	9831	Nut-hex, flange locknut, 3/8"-16 ...	1
24	9545	Bolt-hex hd., 3/8-16x1-1/2", threaded full length.....	1
TINES/PTO CLUTCH LEVER ASSEMBLY			
25	1900878010	Lever-eccentric, tines/PTO clutch. (also see Ref. No.'s 1, 2,3 and 4 listed above)	1
26	9743	Bolt-hex hd., 1/4-20 x 1/2"	1
27	2123	Bushing-tines/PTO clutch lever eccentric shaft	1
28	9516	Retaining Ring-(snap ring),	

REF No.	PART No.	DESCRIPTION	QTY.
		external.....	2
29	2461	Eccentric-shaft, tines/PTO clutch lever.....	1
30	9911	Lockwasher-hi-collar, 1/4"	1
31	9672	Screw-socket hd., 1/4-20 x 3/8" ...	1
DRIVE SHAFT ASSEMBLY			
32	1138-1	Washer-shoulder (drive shaft).....	2
33	9500	Retaining Ring-external.....	1
34	1909139	Dog Clutch-power unit	1
35	9301	Key-3/16 sq. x 1"	3
36	9655	Bolt-hex hd., 5/16-24 x 3/4", self-locking flange, Grade 5	1
37	9944	Washer-disc spring (concave).....	1
38	2107	Pulley-transmission drive, cast iron	1
39	50027	Washer-flat, hardened shoulder 1-1/4".....	1
40	9579	Bolt-hex hd., 1/4-20 x 3/4", front bearing cap.....	3
41	----	This Ref. No. not used	
42	1900879010	Cap-front bearing	1
43	85030	Seal-oil, front bearing cap	1
44	1124-2	Gasket-front bearing cap	1
45	1224-1	Shim-front bearing cap, .010" thick	As Req'd
45	1224-2	Shim-as above, .030"	As Req'd
45	1224-3	Shim-as above, .005"	As Req'd
45	1224-4	Shim-as above, .062"	As Req'd
46	1714	Bearing & Cup-tapered cone roller bearing with cup (race). Cone and cup sold as set only	2
47	11601	Shaft-main drive, power unit. Incl. integral worm, plus two pressed-on cone roller bearings, two bearing cups and two shoulder washers	1
48	9617	Seal-oil, drive shaft, rear	1
49	9517	Retaining Ring-(snap ring), internal.....	1
PINION SHAFT ASSEMBLY			
50	9309	Pin-roll (spiro), 1/4 x 2"	2
51	1060A	Plug-retaining, pinion bearing (incl. Ref. No. 52)	2
52	9604	O-Ring-retaining plug.....	2
53	1132-1	Shim-retaining plug, 1-1/64" inner diam., .033" thick (on right side only one #1132-1 shim is also used between bearing and washer, Ref. No.'s 54 & 55).....	As Req'd

(continued)

Not For Resale

POWER UNIT TRANSMISSION ASSEMBLIES
(Figure 5 Continued)



Not For Resale

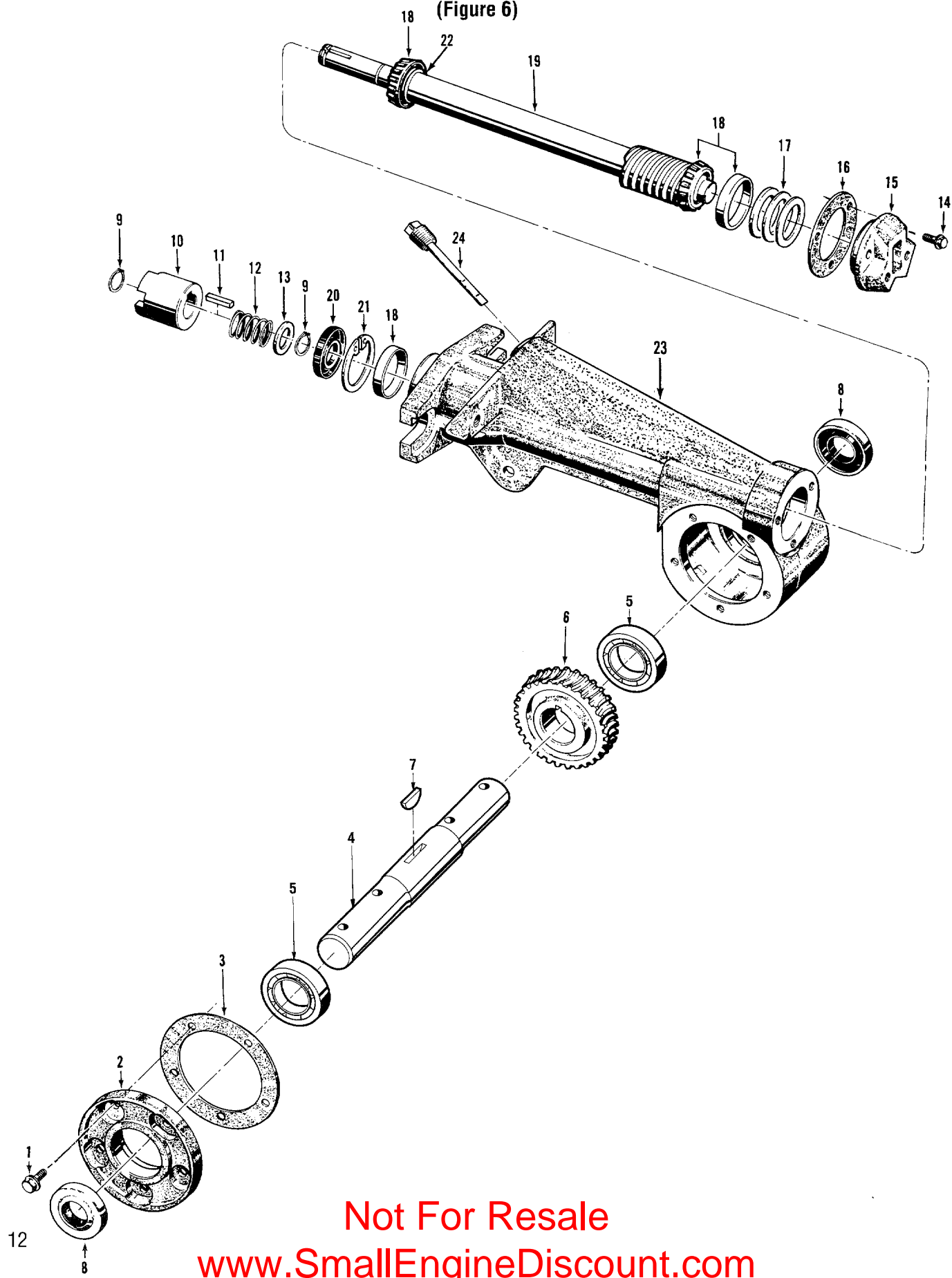
www.SmallEngineDiscount.com

REF No.	PART No.	DESCRIPTION	QTY.
PINION SHAFT ASSEMBLY (continued)			
53	1132-2	Shim—same as 1132-1, .062" thick	As Req'd
53	1132-3	Shim—same as 1132-1, .010" thick	As Req'd
54	9404	Bearing—ball, pinion shaft	2
55	1126	Washer—pinion shaft	2
56	1222	Stem Pinion—slow speed gear & shaft	1
57	9502	Ring—retaining, external	1
58	2656	Worm Gear—bronze, wheel drive	1
59	9300	Key—3/16" x 5/8"	1
60	1233	Gear—fast speed pinion	1
WHEEL SHAFT ASSEMBLY			
61	9621	Seal—oil, wheel shaft	2
62	9511	Retaining ring—external	2
63	1166-1	Shim—wheel shaft, 1-1/64" inner diam. .062" thick	As Req'd
63	1166-2	Shim—as above, .030" thick	As Req'd
63	1166-3	Shim—as above, .015" thick	As Req'd
63	1166-4	Shim—as above, .010" thick	As Req'd
63	1166-5	Shim—same as above, .005" thick	As Req'd
64	1086	Bushing—bronze, wheel shaft bearing	2
65	1878	Shaft—wheel, 15-5/8", (Incl. two of Ref. No. 62 and one Ref. No. 66)	1
66	9357	Key—Hi Pro, 1/4" x 1-3/4"	1
67	1223	Gear—slow speed, wheel drive	1
68	1232	Gear—fast speed, wheel drive	1
69	1237	Dog Clutch—wheel drive	1
70	1112	Pin—clutch guide, 1/4" diameter	3

REF No.	PART No.	DESCRIPTION	QTY.
ECCENTRIC SHAFT ASSEMBLY			
71	9307	Pin—roll, 3/16" x 1-1/4" (spiral)	1
72	1900880010	Lever—eccentric, wheel speed shifting	1
73	9622	Seal—oil, eccentric shaft	1
74	1442	Pin—eccentric shaft, wheel speed shifting	1
75	2712	Eccentric Shaft—wheel speed shifting	1
76	1441	Spring—eccentric shaft	1
77	1440	Washer—eccentric shaft	1
TRANSMISSION HOUSING			
78	2260	Housing—power unit transmission (incl. Ref. No. 79). Empty housing without covers, shafts, gears, seals, etc. Call Factory before ordering)	1
79	9359	Pin—alignment	1
MISCELLANEOUS PARTS			
80	9560	Bolt—hex hd., 1/2-13 x 2" Grade 5	2
81	9928	Washer—disc spring (concave), domed side faces bolt head	2
82	2126	Post—with threaded hole for Ref. No. 80	2
83	9726	Plug—pipe, 1/4"	2
84	9122	Plug—red plastic, thread protector	1
85	9205	Clip—forward interlock system plug connector (see page 17)	1
86	1900759	Decal—forward interlock wire harness	1

TILLER ATTACHMENT TRANSMISSION ASSEMBLIES

(Figure 6)



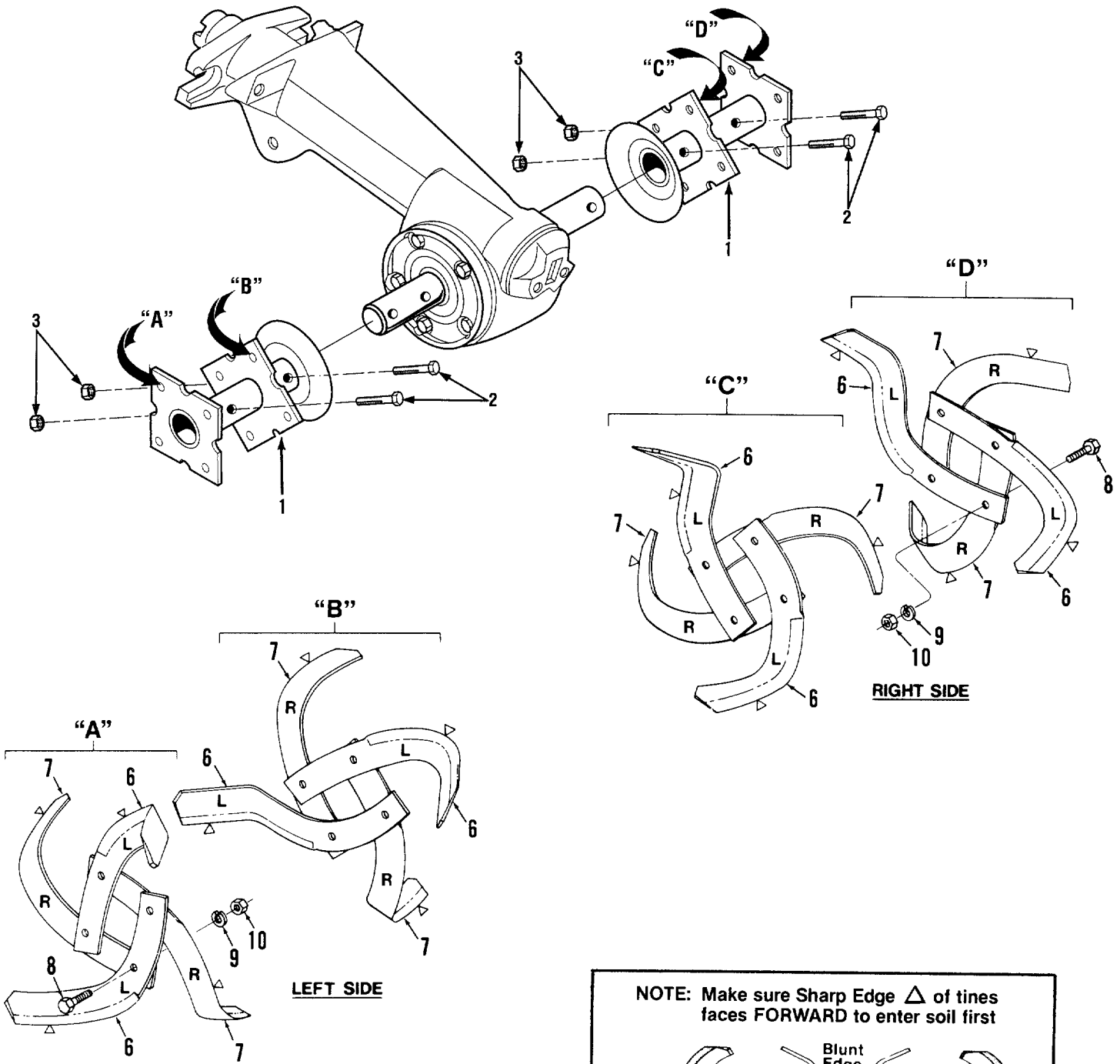
Not For Resale

www.SmallEngineDiscount.com

REF No.	PART No.	DESCRIPTION	QTY.
1	1908211	Bolt-hex hd., 1/4-20 x 5/8", self-locking flange	5
2	20873	Cover-tiller housing (incl. five of Ref. No.1)	1
3	1129-1	Gasket-tiller housing cover, .010" thick.....	As Req'd
3	1129-2	Gasket-same as above, .030" thick.....	As Req'd
4	1901972	Shaft-tiller tine.....	1
5	97074	Ball Bearing.....	2
6	1901976	Worm Gear-bronze, tiller tine shaft	1
7	1104	Key-tiller tine shaft, woodruff key.	1
8	97073	Seal-oil, tiller tine shaft.....	2
TILLER DRIVE SHAFT ASSEMBLY			
9	9500	Retaining Ring-external	2
10	1909138	Dog Clutch-tiller drive shaft.....	1
11	9301	Key-3/16" x 1"	1
12	2127	Spring-dog clutch.....	1
13	1138-1	Shim-dog clutch, 1/16"(.62") thick..	1
14	1908212	Bolt-hex hd., 1/4-20 x 7/8", self-locking flange	3
15	1900881010	Cap-rear bearing.....	1
16	1124-2	Gasket-rear bearing cap	1
17	1224-1	Shim-front bearing cap, .010" thick.....	As Req'd

REF No.	PART No.	DESCRIPTION	QTY.
17	1224-2	Shim-same as above, .030" thick.....	As Req'd
17	1224-3	Shim-same as above, .005" thick.....	As Req'd
17	1224-4	Shim-same as above, .062" thick.....	As Req'd
18	1714	Bearing & Cup-sold as set only	2
19	11602	Shaft-main tiller drive (incl. an integral worm gear, plus two pressed-on cone roller bearings, two bearing cups (Ref. No. 18) and one shoulder washer	1
20	9617	Seal-oil, drive shaft, front.....	1
21	9517	Retaining Ring-internal.....	1
22	1138-1	Washer-shoulder (drive shaft).....	1
TRANSMISSION HOUSING AND DIPSTICK			
23	1902000	Housing-tiller attachment (incl. pressed-on sleeve in front of housing). Empty housing without shafts, gears, seals, dipstick, etc. Call Factory before ordering.....	1
24	1909157	Dipstick-oil level, tiller attachment	1

BOLO TINE ASSEMBLIES
(Figure 7)



LEGEND:
 △ = Sharp Edge
 L = Left Bolo Tine
 R = Right Bolo Tine

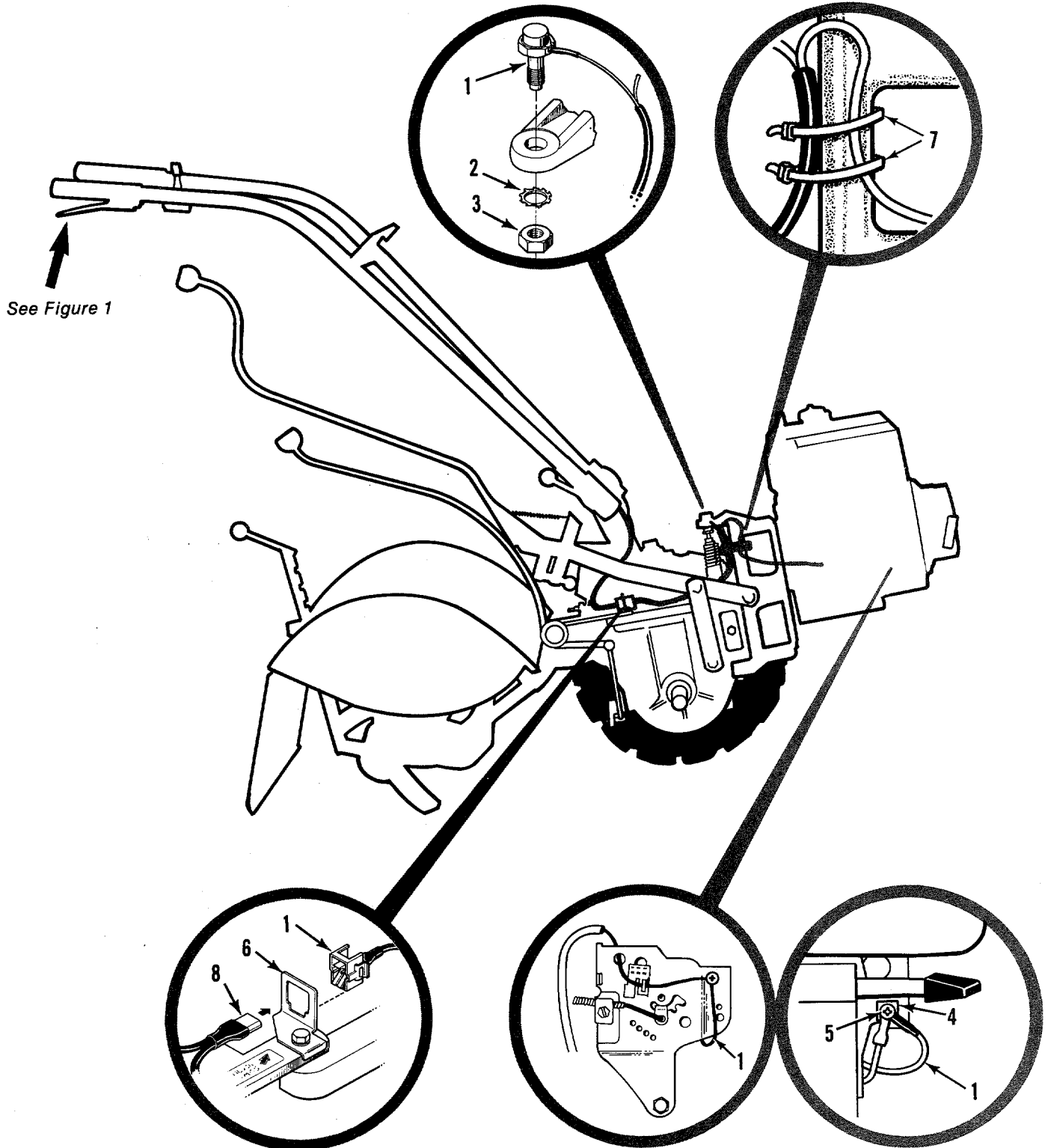
NOTE: Make sure Sharp Edge △ of tines faces FORWARD to enter soil first

LEFT HAND TINE RIGHT HAND TINE
 (As viewed with blunt edge facing you.)

REF No.	PART No.	DESCRIPTION	QTY.
STANDARD TILLING TINES			
1	1901975010	Tine Holder—welded steel, fits left or right sides.....	2
2	9761	Bolt—hex hd., 3/8-16 x 2".....	4
3	9807	Locknut—3/8"-16.....	4
4	---	This Ref. No. not used.....	
5	---	This Ref. No. not used.....	
6	1270-1A	Bolo Tine—single, left hand. Used on left and right side tine assy. Tine is stamped either "EL" or "AL". (Incl. two each of Ref. No.'s 8, 9 and 10).....	8
7	1270-2A	Bolo Tine—single, right hand. Used on left and right side tine assy. Tine is stamped either "ER" or "AR". (Incl. same hardware as Ref. No. 6).....	8
8	9711	Bolt—hex hd., 3/8-16 x 1".....	16
9	9913	Lockwasher—3/8".....	16
10	9802	Nut—hex, 3/8"-16.....	16
---	1901118	Tine Replacement Kit—unassembled (Incl. eight each of Ref. No.'s 6, and 7, sixteen each of Ref. No.'s 8, 9 and 10). Includes easy-to-follow installation instruction. DOES NOT INCLUDE tine holders, holder mounting hardware, or tine shaft keys.....	1

REF No.	PART No.	DESCRIPTION	QTY.
CUSTOM TILLING TINES			
Special hard-faced, high-chrome carbon alloy tines that are thicker than standard Bolo Tines. These tines better resist the abrasive action of rocky, gritty or sandy soil as compared to standard Bolo Tines, and are especially suited for custom tilling or market gardening.			
---	10802	Custom Tilling Tine Kit—(Incl. eight each of Part #2475-1 and #2475-2 tines and sixteen each of #9711 bolts and #9807 locknuts.....	1
---	2475-1	Bolo Tine, Custom Tilling—single, left hand.....	8
---	2475-2	Bolo Tine, Custom Tilling—single, right hand.....	8
---	9807	Locknut—hex, 3/8", used in place of Ref. No.'s 9 and 10 when using Custom Tilling Tines.....	16

FORWARD INTERLOCK SYSTEM
(Figure 8)



BRIGGS & STRATTON

8 HP KOHLER

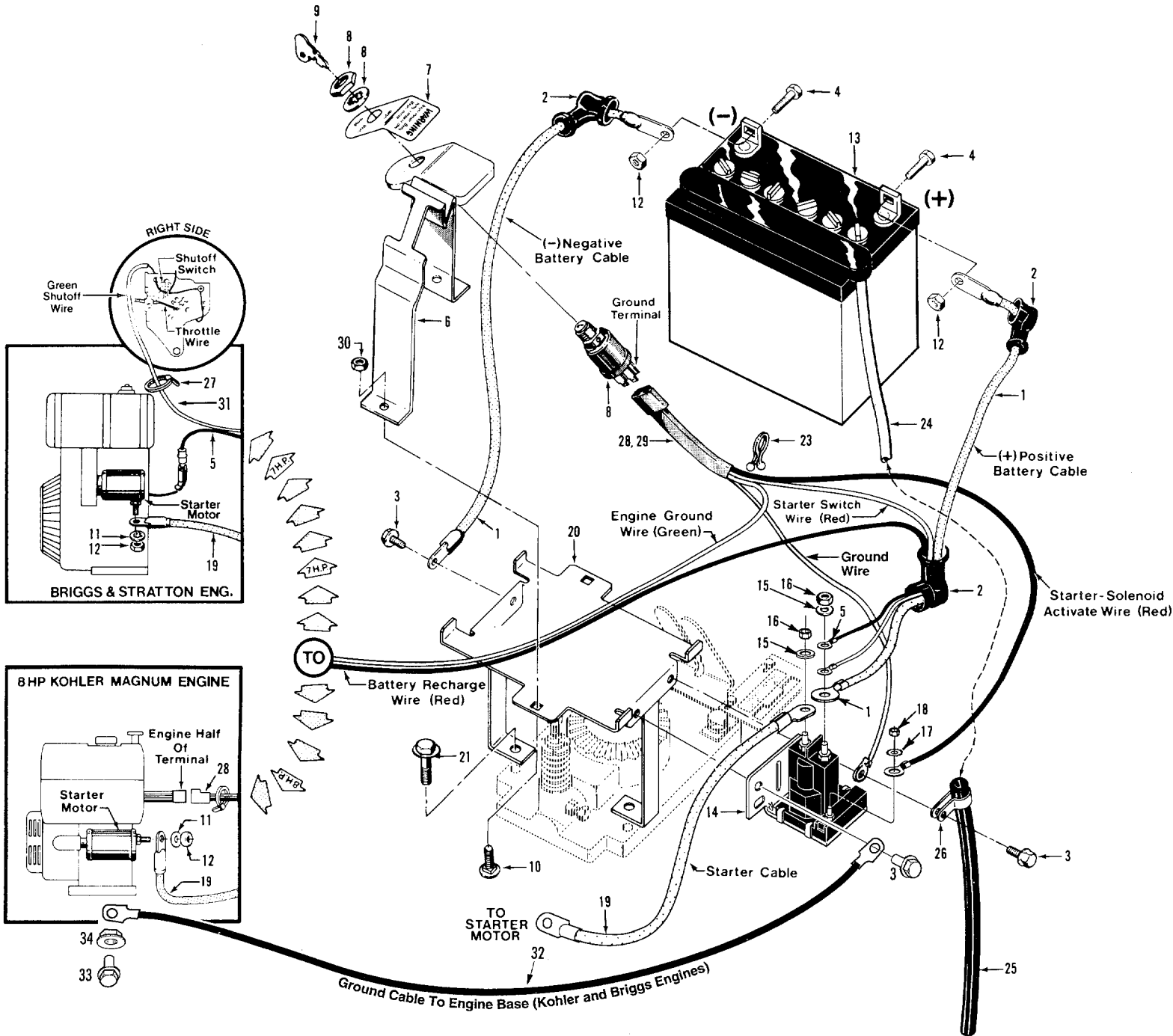
Not For Resale

www.SmallEngineDiscount.com

REF No.	PART No.	DESCRIPTION	QTY.	REF No.	PART No.	DESCRIPTION	QTY.
1	2552	Engine Wire Harness Assy-forward interlock system (Incl. one red and one black wire, plug connector, neutral switch and PVC tubing. Parts not available separately.....	1	4	ET69-12	Grommet-for Kohler engine	1
2	9971	Lockwasher-external tooth, 7/16"	1	5	ET42-447	Screw-#8 Phillips Head, for Kohler engine	1
3	9851	Nut-hex, 7/16"-20	1	6	9205	Clip-for plug connector.....	1
				7	9202	Tie-plastic	1
				8	2551	Handlebar Wire Harness Assy-(see page 2, Ref. No. 20)	1

Note: Ref. No. 4 may also be obtained at a Tecumseh Engine Authorized Service Center by ordering part no. 69-12. Ref. No. 5 may also be obtained at a Tecumseh Engine Authorized Service Center by ordering part no. 42-326.

ELECTRIC START SYSTEM – 7HP & 8HP TILLERS
(Figure 9)

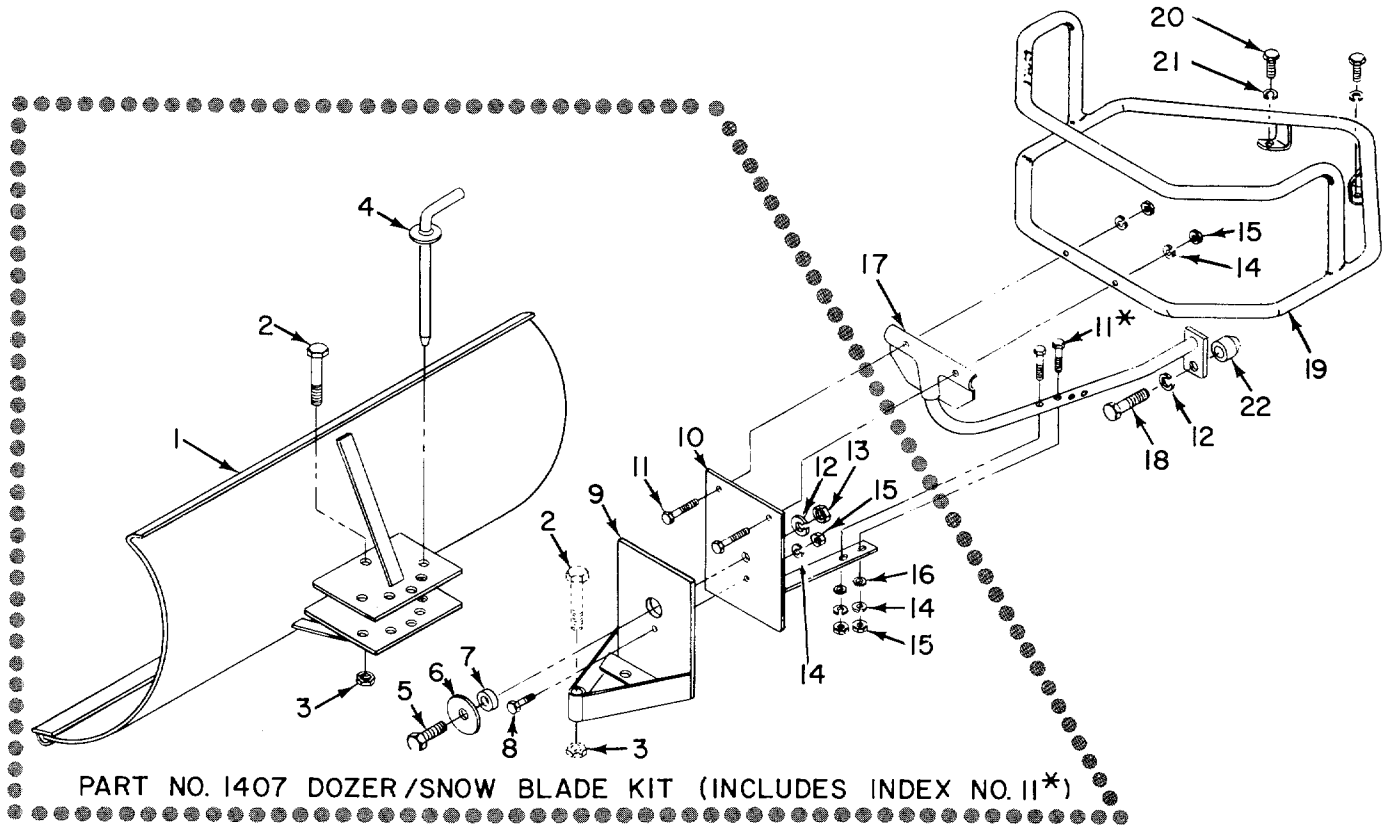


Not For Resale

www.SmallEngineDiscount.com

REF No.	PART No.	DESCRIPTION	QTY.	REF No.	PART No.	DESCRIPTION	QTY.
1	96515	Cable–battery, positive and negative terminals.....	2	22	----	This Ref. No. not used.....	
2	97020	Boot–terminal insulating	3	23	9265	Tie–plastic, wire retaining	1
3	9552	Screw–self-threading, 1/4-20 x 1/2"	3	24	9009	Vent Tube–5/16" diameter	1
4	9780	Bolt–hex hd., 1/4-20 x 5/8"	2	25	1475	Shield–vent tube, 1/2" diameter...	1
5	1554	Wire–recharge (red) for Briggs and Stratton engine (incl. terminal and eyelet)	1	26	9224	Clamp–vent tube shield	1
6	2616	Battery Hold-down Clamp–with attached Key Switch Plate (incl. Ref. No. 7)	1	27	9202	Tie–plastic	2
7	1900944	Decal–ignition switch instruc.....	1	28	1908118	Wire Harness & Connecting Terminal Assy–for Briggs & Stratton engines(available as complete assembly only). Incl. wire assy., w/connector to large solenoid stud (red wire); wire assy. w/connector to small solenoid stud (red wire); wire assy. w/connector to solenoid grounding screw (red wire); wire assy w/connector to engine ground shut-off (green wire); plastic protector tube; wire harness; connector; wire terminal	1
8	1908112	Key Switch–includes two ignition keys (Ref. No. 9), one lockwasher, and one mounting nut (lock-washer and nut not available separately).....	1	29	1908117	Wire Harness–for Kohler engine. Incl. two receptacles; three red wires (solenoid activate, battery recharge, and starter switch); two green (ground)(shutoff) wires; plastic harness tube.....	1
9	96520	Key–ignition, one pair.....	1	30	9844	Locknut–hex, 1/4"-20	2
10	9566	Bolt–carriage, 1/4-20 x 1-1/4"	2	31	20421	Wire–ground	1
11	9910	Lockwasher–spring lock, 1/4".....	2	32	1901202	Cable–ground, solenoid to engine block	1
12	9800	Nut–hex, 1/4"-20	4	33	90045	Bolt–flange lock, 5/16-18 x 1".....	1
13	9092B	Battery–12 volt, 30 amps., side-vented. (incl. Ref. No. 24)	1	34	9848	Nut–flange lock, 5/16"-18	1
14	96514	Solenoid–starter, includes nuts and washers for cables and wires...	1				
15	9912	Lockwasher–5/16"	2				
16	9826	Nut–hex, 5/16"-24	2				
17	9921	Lockwasher–external tooth, #10..	1				
18	9809	Nut–hex, #10-32,.....	1				
19	96510	Cable–solenoid to starter motor ..	1				
20	2571	Battery Bracket	1				
21	90047	Bolt–flanged hex hd., 3/8-16 x 1-1/2"	2				

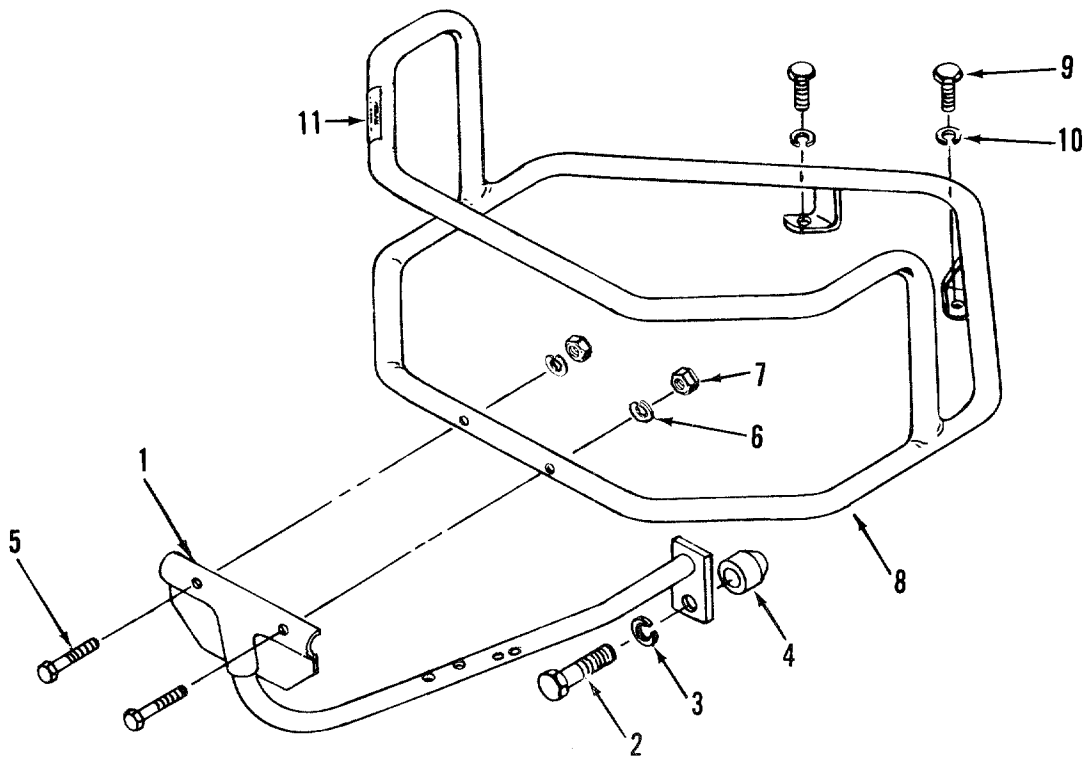
**DOZER/SNOW BLADE ATTACHMENT
(Figure 10)**



REF No.	PART No.	DESCRIPTION	QTY.
---	1873	Dozer/Snow Blade--(incl. Ref. No.'s 1 through 22).....	1
1	1160	Blade--dozer/snow blade.....	1
2	9717	Bolt--hex hd., 1/2-13 x 3".....	1
3	9804	Locknut--hex, 1/2"-13.....	1
4	1158	Pin--index, blade angle adjust.....	1
5	9767	Bolt--hex hd., 1/2-13 x 1-1/2".....	1
6	9905	Washer--plain, 1/2".....	1
7	1416	Bushing.....	1
8	9705	Bolt--hex hd., 5/16-18 x 1-1/4".....	1
9	1162	Bracket--swivel ("A" frame).....	1
10	1164	Bracket--dozer/bumper mounting.....	1
11	9759	Bolt--hex hd., 5/16-18 x 1-3/4".....	4
12	9914	Lockwasher--spring lock, 1/2".....	2
13	9803	Nut--hex, 1/2"-13.....	1
14	9912	Lockwasher--spring lock 5/16".....	5

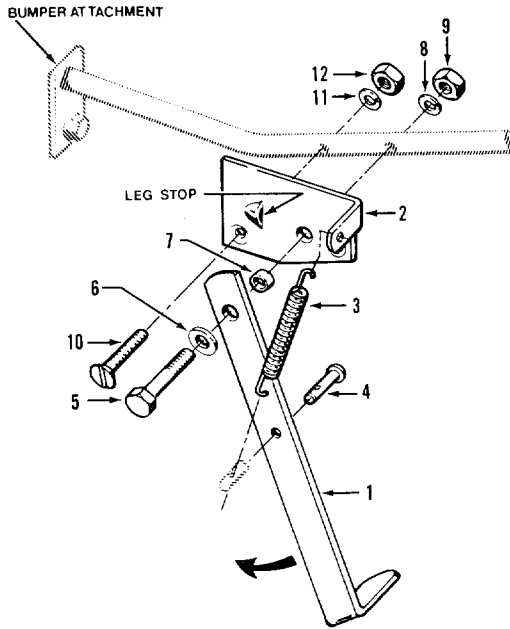
REF No.	PART No.	DESCRIPTION	QTY.
15	9801	Nut--hex, 5/16" x 18.....	5
16	9902	Washer--plain, 5/16", S.A.E.....	2
17	2659	Brace--bumper bottom (requires Ref. No. 22).....	1
18	9716	Bolt--hex hd., 1/2-13 x 2".....	1
19	1909088010	Bumper--wrap around.....	1
20	9710	Bolt--hex hd., 3/8-16 x 1".....	2
21	9913	Lockwasher--spring lock, 3/8".....	2
22	1561	Spacer--for bottom brace.....	1
---	1407	Dozer/Snow Blade Kit--shown within dotted area in Figure 10. For those who have already purchased a bumper (see part #1932 on page 21) and want to add a dozer/snow blade. Kit incl. Ref. No.'s 1 through 16.....	1

BUMPER ATTACHMENT
(Figure 11)

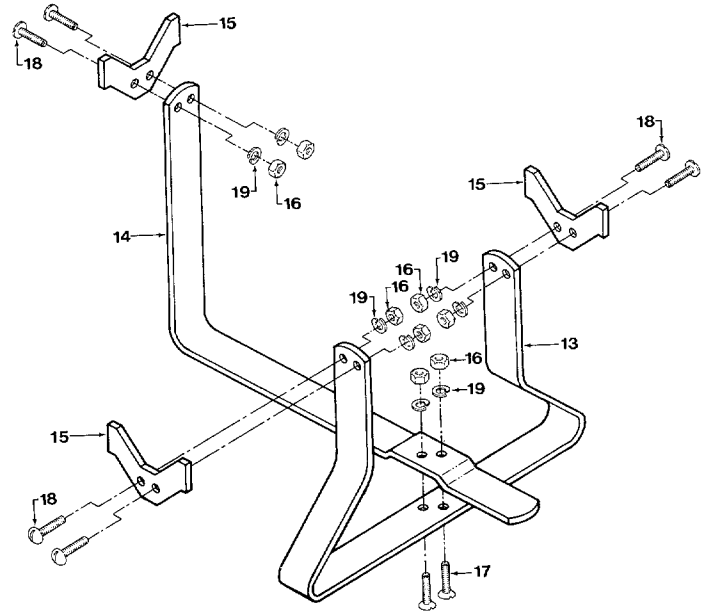


REF No.	PART No.	DESCRIPTION	QTY.	REF No.	PART No.	DESCRIPTION	QTY.
---	12556	Bumper Attach-complete (incl. Ref. No.'s 1 through 11).....	1	6	9912	Lockwasher-spring lock, 5/16"....	2
1	2659	Brace-bumper bottom.....	1	7	9801	Nut-hex, 5/16"-18	2
2	9716	Bolt-hex hd., 1/2-13 x 2"	1	8	1909088010	Bumper-wrap around.....	1
3	9914	Lockwasher-spring lock, 1/2".....	1	9	9710	Bolt-hex hd., 3/8-16 x 1".....	2
4	1561	Spacer-for bottom brace.....	1	10	9913	Lockwasher-spring lock, 3/8".....	2
5	9758	Bolt-hex hd., 5/16-18 x 1-1/2".....	2	11	1148	Decal-for bumper.....	1

KICKSTAND ATTACHMENT
(Figure 12)



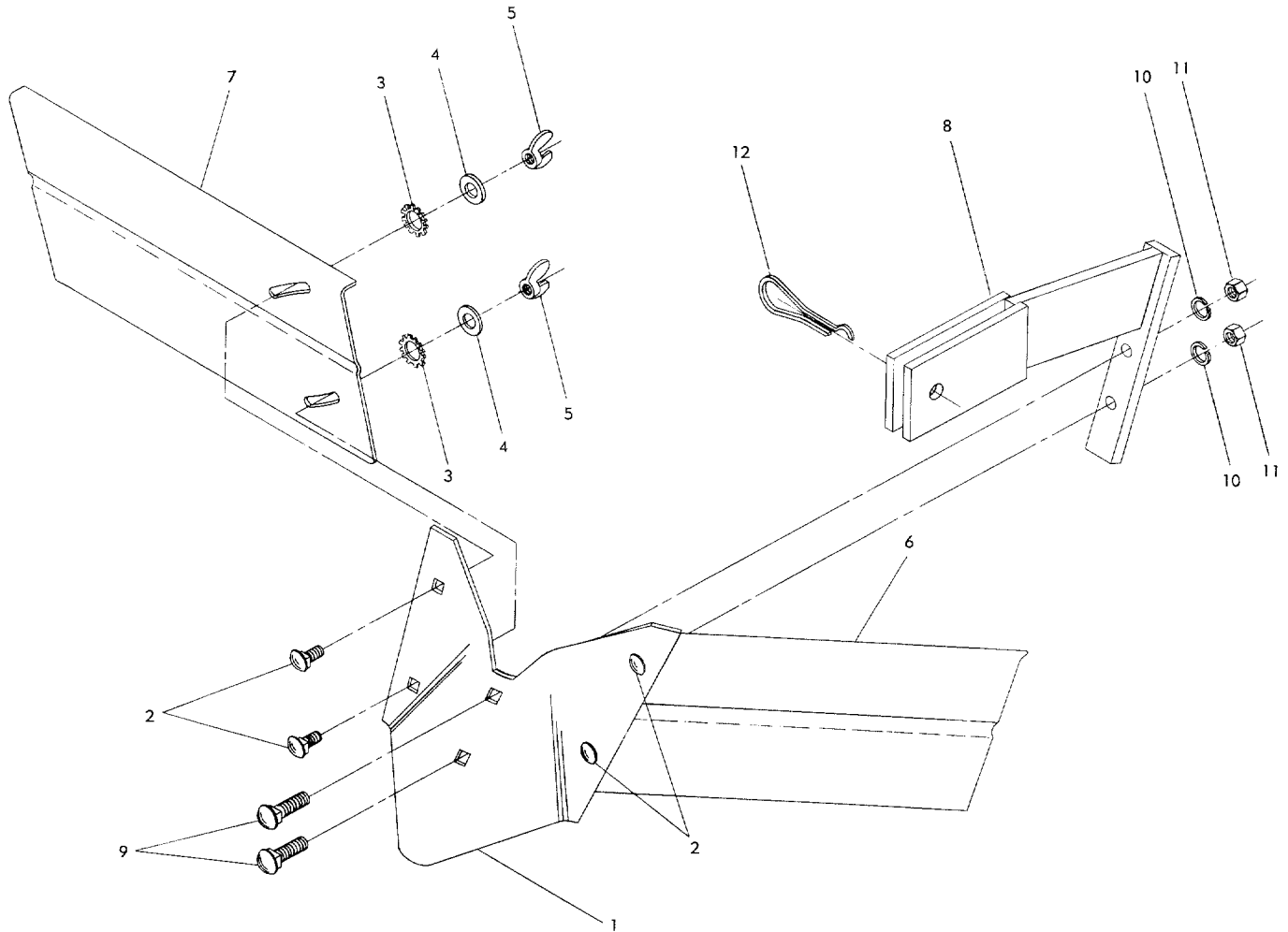
TINE ATTACHMENT CRADLE
(Figure 13)



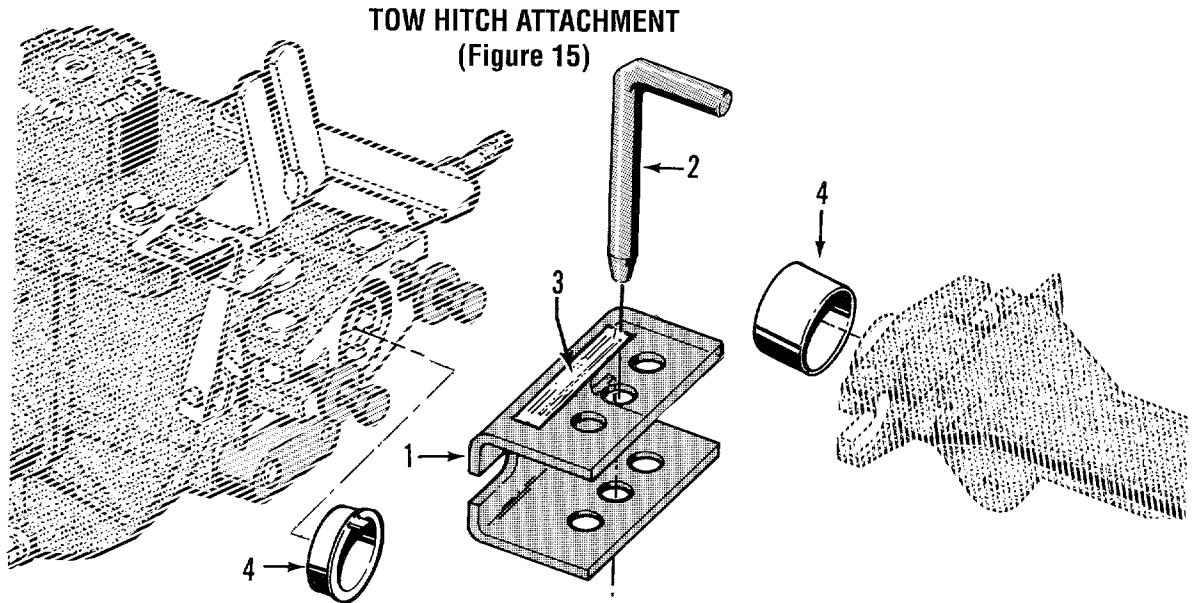
REF No.	PART No.	DESCRIPTION	QTY.
KICKSTAND ATTACHMENT			
----	1931	Kickstand—complete (incl. Ref. No.'s 1 through 12). Kickstand attaches to lower brace of bumper attachment (1932)	1
1	2195	Leg—kickstand	1
2	2196	Plate—kickstand mounting	1
3	1492	Spring—kickstand	1
4	9336	Pin—clevis	1
5	9741	Bolt—hex hd., 5/16-18 x 2", Grade 5	1
6	9902	Washer—flat, 5/16", S.A.E.	1
7	9473	Bushing—.438"lg. (.313" O.D., .275" I.D.)	1
8	9912	Lockwasher—spring lock, 5/16"	1
9	9801	Nut—hex, 5/16"-18	1
10	9567	Screw—flat hd., 1/4"-20 x 1-1/2" ...	1
11	9910	Lockwasher—spring lock, 1/4"	1
12	9800	Nut—hex, 1/4"-20	1

REF No.	PART No.	DESCRIPTION	QTY.
TINE ATTACHMENT CRADLE			
---	2007	Tine Attachment Cradle—complete (incl. Ref. No.'s 13 - 19). For storing the tine attachment when removed from power unit. Also assists in removal and replacement of tine attachment	1
13	2299	Rear Cradle Support	1
14	2301	Front Cradle Support	1
15	2297	Tine Cradle Plate	3
16	9800	Nut—hex, 1/4"-20	8
17	9580	Screw—hex hd., 1/4-20 x 3/4"	2
18	9701	Screw—round-head, 1/4-20 x 3/4" ..	6
19	9910	Lockwasher—spring lock, 1/4"	8

HILLER/FURROWER ATTACHMENT(Figure 14)



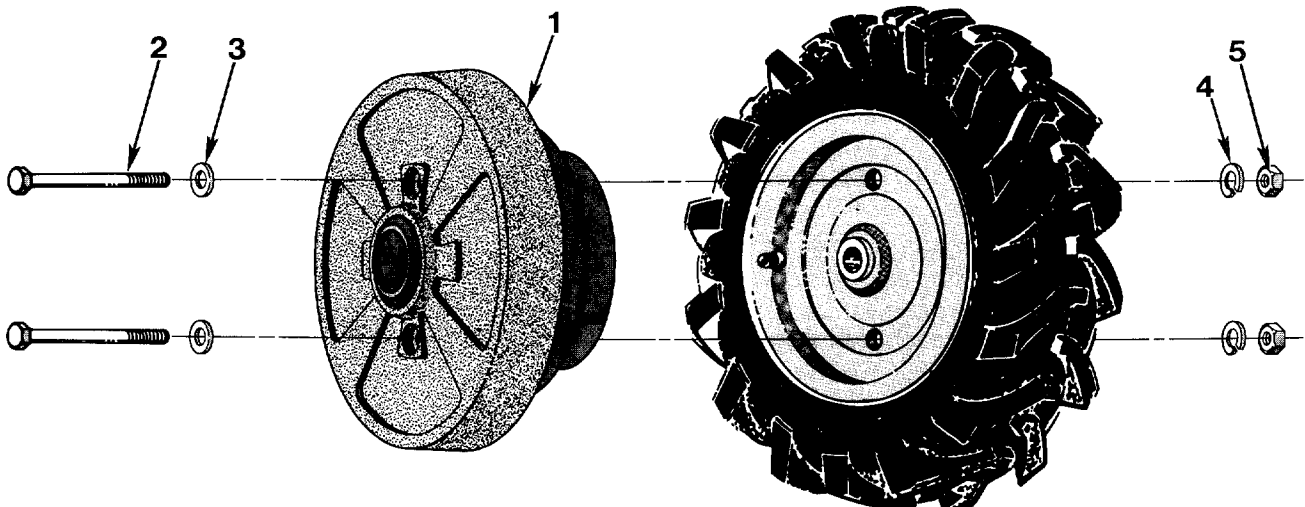
REF No.	PART No.	DESCRIPTION	QTY.	REF No.	PART No.	DESCRIPTION	QTY.
---	2638	Hiller/Furrower—complete (incl. Ref. No.'s 1 through 12). Owner must bolt blade to mounting bracket and wings to blade. Instructions included	1	6	2736-01	Hiller Wing—left.....	1
1	2735	Furrower—blade only.....	1	7	2736-02	Hiller Wing—right	1
2	9765	Carriage Bolt—5/16-18 x 3/4"	4	8	2636	Bracket—blade mounting.....	1
3	9919	Star Washer—ext. tooth, 5/16".....	4	9	9725	Carriage Bolt—blade mounting, 3/8-16 x 1-1/2"	2
4	9902	Washer—plain, 5/16" S.A.E.....	4	10	9913	Lockwasher—spring lock, 3/8" plated	2
5	9824	Wing Nut—5/16"-18.....	4	11	9802	Nut—hex, 3/8"-16, plated.....	2
				12	9318	Pin—clinch.....	1



REF No.	PART No.	DESCRIPTION	QTY.
TOW HITCH ATTACHMENT (Figure 15)			
----	2004	Tow Hitch Attachment—complete (incl. Ref. No.'s 1 through 4)....	1
1	2287	Hitch—mounting plate (incl. Ref. No. 3).....	1
2	9363	Pin—hitch.....	1
3	2288	Decal—warning instructions.....	1
4	2006	Dust Caps—2 protective covers....	1

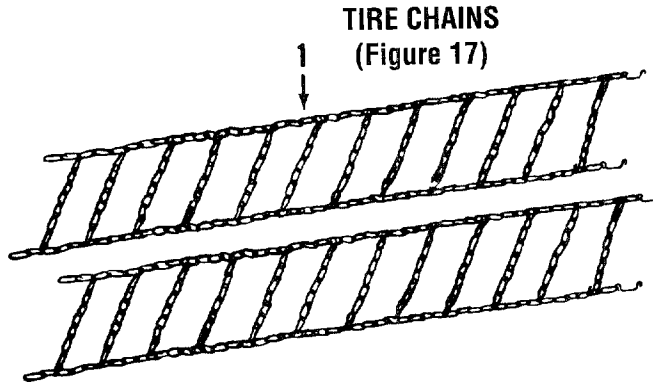
REF No.	PART No.	DESCRIPTION	QTY.
WHEEL WEIGHTS (Figure 16)			
1	2382	Shell—wheel weight.....	2
2	9661	Bolt—hex hd., 3/8-16 x 6".....	4
3	9904	Washer—flat, 3/8".....	4
4	9913	Lockwasher—spring, 3/8".....	4
5	9802	Nut—hex, 3/8"-16.....	4
----	10185	Wheel Weight Kit—complete, incl. Ref. No. 1 through 5). Instructions included.....	1

WHEEL WEIGHTS (Figure 16)



Not For Resale

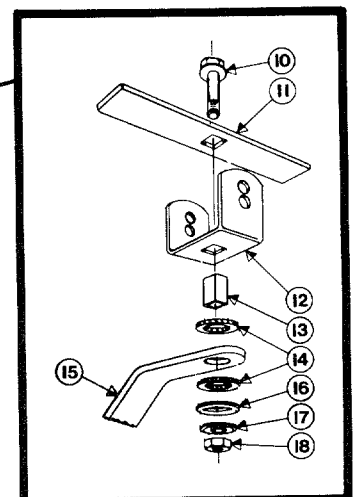
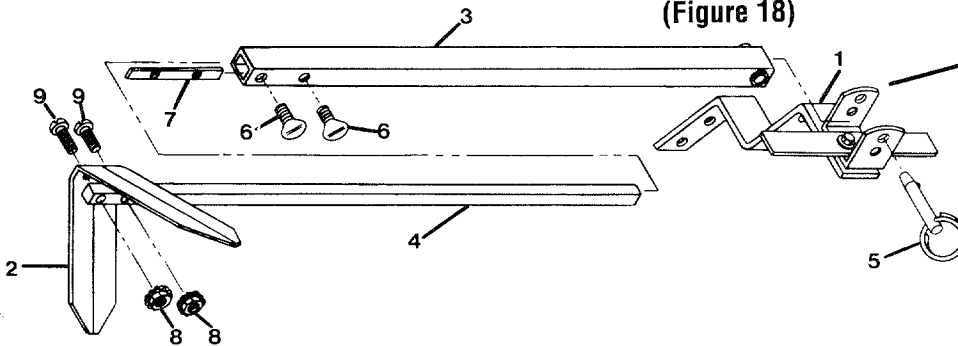
www.SmallEngineDiscount.com



REF No.	PART No.	DESCRIPTION	QTY.
TIRE CHAINS (Figure 17)			
1	9146	Chains—tire, heavy-duty steel. For standard. tread or bar tread tires. Two chains in a set.....	1
ROW MARKER ATTACHMENT Part #1832 (Figure 18) (Complete - attaches to #1317 Furrower Attachment)			
1	1569	Main Support & Yoke Assy—complete (incl. Ref. No. 10 through 18).....	1
2	1594	Marker blade—blade only	1
3	1597	Marker arm—main arm.....	1
4	1570	Marker arm—extension arm with stop pin.....	1
5	9347	Hitch Pin—incl. in #1837 hardware package.....	1
6	9786	Thumbscrew—1/4-20 x 1/2", incl. in #1837 hardware package	2
7	1596	Nut Bar—incl. in #1837 hardware package.....	1
8	9828	Nut—hex, #10-24 with star washers (incl. in hardware pkg. #1837).	2

REF No.	PART No.	DESCRIPTION	QTY.
9	9721	Screw—round hd., #10-24 x 1 (incl. in hwd. pkg. #1837).....	2
---	1837	Hardware Pkg—incl. one each Ref. No. , and No. 7, and two each Ref. No.'s 6, 8 and 9.....	1
---	1850	Row Marker & Hiller/Furrower Attachment Combination—complete Incl. #2638 Hiller/Furrower & #1832 Row Marker	1
ROW MARKER MAIN SUPPORT & YOKE ASSEMBLY (Part #1569)			
10	9784	Bolt—flanged, self-locking, 3/8-16 x 1-1/2".....	1
11	1593	Stop Bar	1
12	1592	Yoke	1
13	1591	Tube Key—square	1
14	1590	Washer—friction	1
15	1588	Main Support.....	1
16	1589	Washer—square hole.....	1
17	9925	Washer—disc spring.....	1
18	9802	Nut—hex, 3/8"-16	1

ROW MARKER ATTACHMENT (Figure 18)



Main Support/Yoke Assembly Part #1569



For customer assistance, contact your nearest authorized dealer or:

GARDEN WAY INCORPORATED, 102nd Street & 9th Ave., Troy, New York 12180
For Technical Service, call Toll-Free: 1-800-833-6990 – For Parts, call Toll-Free: 1-800-648-6776

In Canada: **GARDEN WAY INCORPORATED**, 320 Van Sickle Road, Unit 12, St. Catharines, Ontario, L2R 6P7
Call Toll-Free: 1-800-225-3585

Not For Resale