

Bolens[®]

Parts Catalog

PTO HORSE Tiller

Model

12067 (8HP Standard)

Not For Resale
www.SmallEngineDiscount.com

Parts for your machine may be ordered from your local servicing dealer. Please remember that your local dealer will need to know the identification numbers of your machine to give you the most efficient service. Please see below for how to identify and record the identification numbers for your machine.

When ordering parts, please be sure to provide the following information:

1. The SERIAL NUMBER of your machine.
2. The PART NUMBER of the part.
3. The PART DESCRIPTION.
4. The QUANTITY needed.

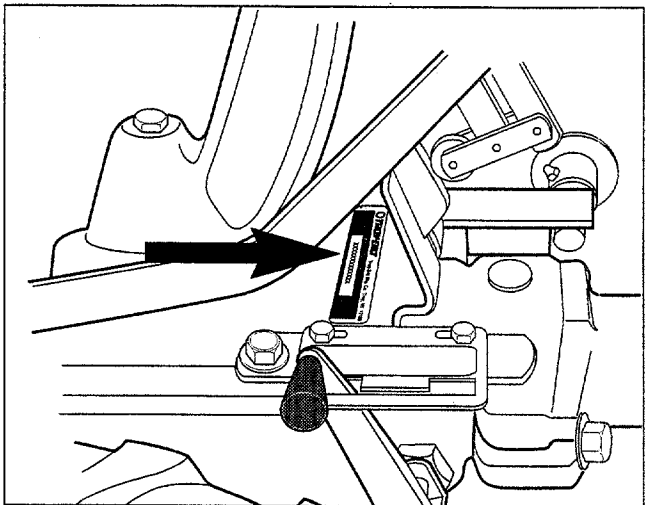
If you need engine service or parts:

For engine service or parts, please contact your local authorized engine dealer. Look in the Yellow Pages of your phone book under "Engines-Gasoline" for the name of your nearest authorized engine dealer. An authorized dealer can handle all parts, repairs, and warranty service concerning the engine. NOTE: Some parts on your engine are exclusive to this machine and may not be available from the engine dealer. Refer to the engine drawings in this Parts Catalog to identify and order these exclusive parts.

Please write the Serial Number of your machine in the space provided below. You can find the location of the serial number decal by referring to the following illustration.

All references to left, right, front and rear of the machine are determined by standing in the operator's position and facing the direction of forward travel.

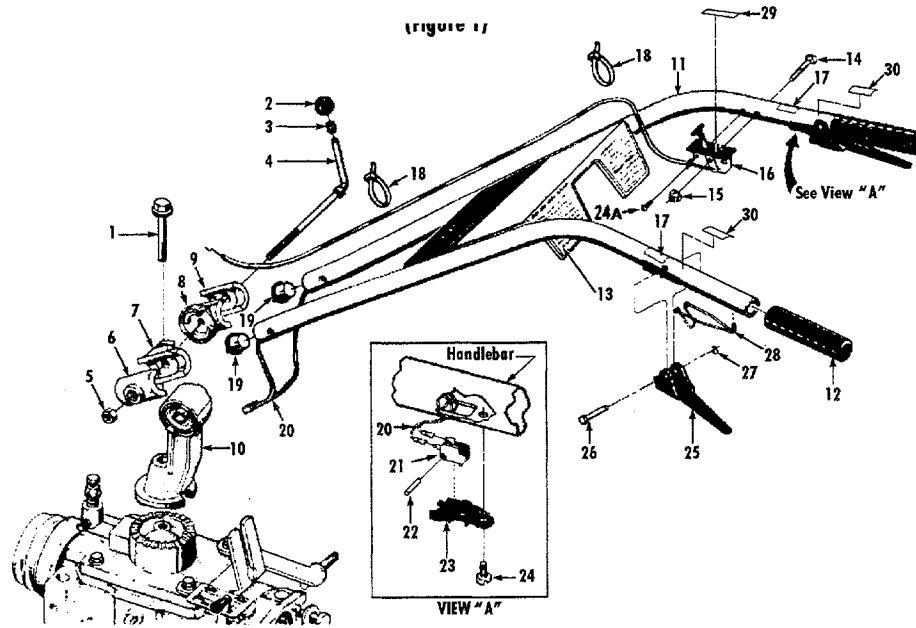
Serial Number: _____



IMPORTANT:

Some replacement parts that you receive may vary slightly in shape, color, or texture from the original parts. This is because certain parts are supplied to us by more than one manufacturer. Please be assured, however, that all parts must conform to our rigid quality specifications, and any slight variations will not affect the fit or performance of these parts.

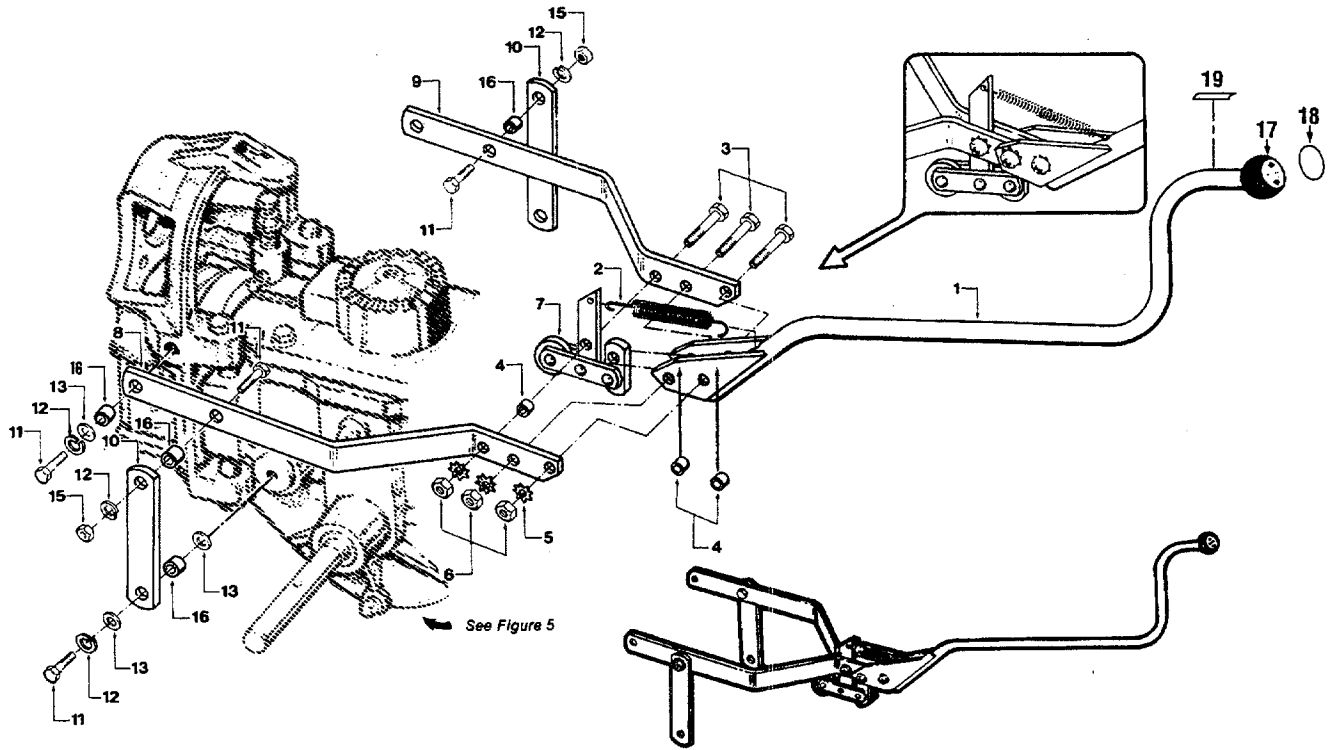
**HANDLEBAR ASSEMBLY
(Figure 1)**



REF No.	PART No.	DESCRIPTION	QTY.
1	9548	Bolt-Hex hd., flanged self-locking GR5, 1/2-13 x 3-1/2"	1
2	9119	Knob-handlebar height adjust (Incl. Ref. No. 3)	1
3	9120	Ring-retaining (tolerance ring).....	1
4	1902322	Stud-handlebar height adjust. (Incl. Ref. No.'s 2,3 and 5)	1
5	1186233	Nut-hex, 1/2-13.....	1
6	1900854021	Clamp-left, handlebar height adjust.....	1
7	1900856021	Ratchet-left, handlebar height adjust.....	1
8	1900857021	Ratchet-right, handlebar height adjust.....	1
9	1900855021	Clamp-right, handlebar height adjust.....	1
10	1900858021	Base-handlebar mounting.....	1
11	1902321	Handlebars-(Incl. two each of Ref. Nos. 12, 17, 28 and 30, and one Ref. No. 13).....	1
12	9125	Grip-handlebars	2
13	1900733	Decal-operator control panel.....	1
14	9547	Bolt-curved Hd GR5, 1/4-20 x 2"...	1
15	1186389	Nut-hex, flanged self-locking, whiz lock, 1/4-20.....	1

REF No.	PART No.	DESCRIPTION	QTY.
16	1903627	Throttle Control & Cable, 66"-Briggs & Stratton engine only (see Ref. No. 24A). Includes Ref. No. 29.....	1
17	1900763	Decal-Forward Interlock Lever	2
18	9202	Tie-plastic	2
19	9219	Plug-wire harness retainer	2
20	2551	Handlebar Wire Harness Assy-forward interlock system	1
21	9250	Handlebar Switch-forward interlock system.....	2
22	9385	Lock Pin-handlebar switch.....	2
23	2543	Switch Housing-handlebar switch.	2
24	90039	Screw-pan head, 10-24 x 1/2", thread forming	2
24A	9733	Screw-phillips head, 10-32 x 1/2", thread forming	1
25	2546	Lever-forward interlock.....	2
26	9199	Pivot Pin-forward interlock lever...	2
27	9514	Klip Ring-forward interlock lever ..	2
28	9387	Return Spring-forward interlock lever	2
29	1903602	Decal-Throttle Control.....	1
30	1903601	Decal-Forward Interlock.....	2

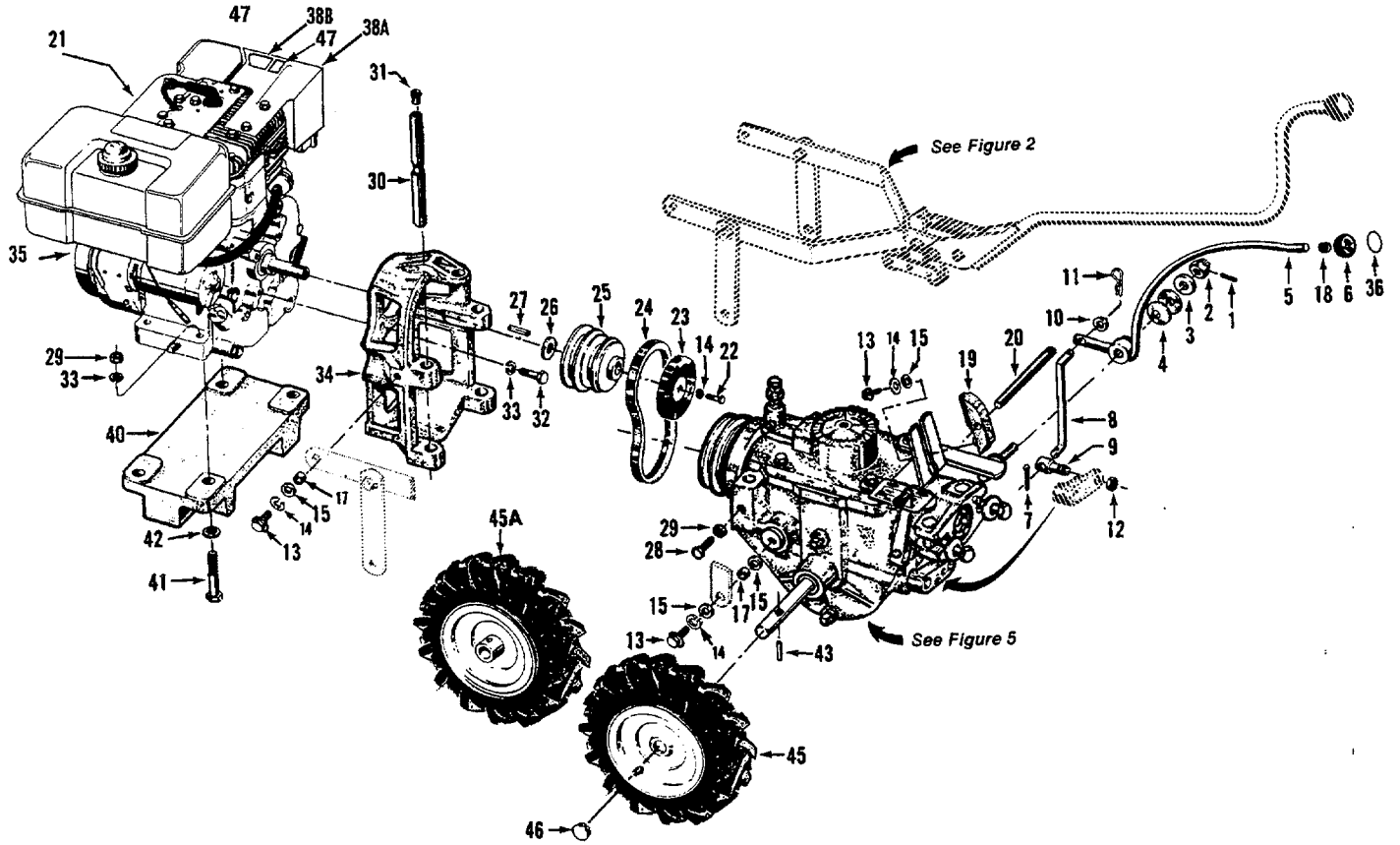
WHEELS/TINES/PTO DRIVE LEVER & YOKE ASSEMBLY
(Figure 2)



REF No.	PART No.	DESCRIPTION	QTY.
1	1900724	Lever-Wheels/Tines/PTO Drive (Incl. Ref. Nos. 18 and 19).....	1
2	1908156	Spring-clutch pawl.....	1
3	1100799	Bolt-hex hd., 5/16-18 x 1-1/2".....	3
4	2447	Bushing-3/8".....	3
5	1177548	Lockwasher-ext. tooth, 5/16".....	3
6	1186230	Nut-hex, 5/16-18.....	3
7	1900720021	Roller Assembly.....	1
8	1900468021	Yoke-left side.....	1
9	1900469021	Yoke-right side.....	1
10	1900860021	Link-yoke pivot, Left & Right, 6-7/8	2

REF No.	PART No.	DESCRIPTION	QTY.
11	1100046	Bolt-hex hd., 3/8-16 x 1".....	6
12	1100243	Lockwasher-spring lock, 3/8".....	6
13	9904	Washer-flat, 3/8", S.A.E.....	6
14	----	This Ref. No. not used	
15	1186231	Nut-hex, 3/8-16.....	2
16	1113-1	Bushing-spacer 19/64 (.300").....	6
17	----	Knob-not avail. separately. see Ref No. 1.....	
18	1903598	Decal-Operation.....	1
19	1903603	Decal-Forward/Reverse Direction .	1

WHEEL SPEED LEVER, BELT DRIVE SYSTEM, ENGINES, WHEELS
(Figure 3)



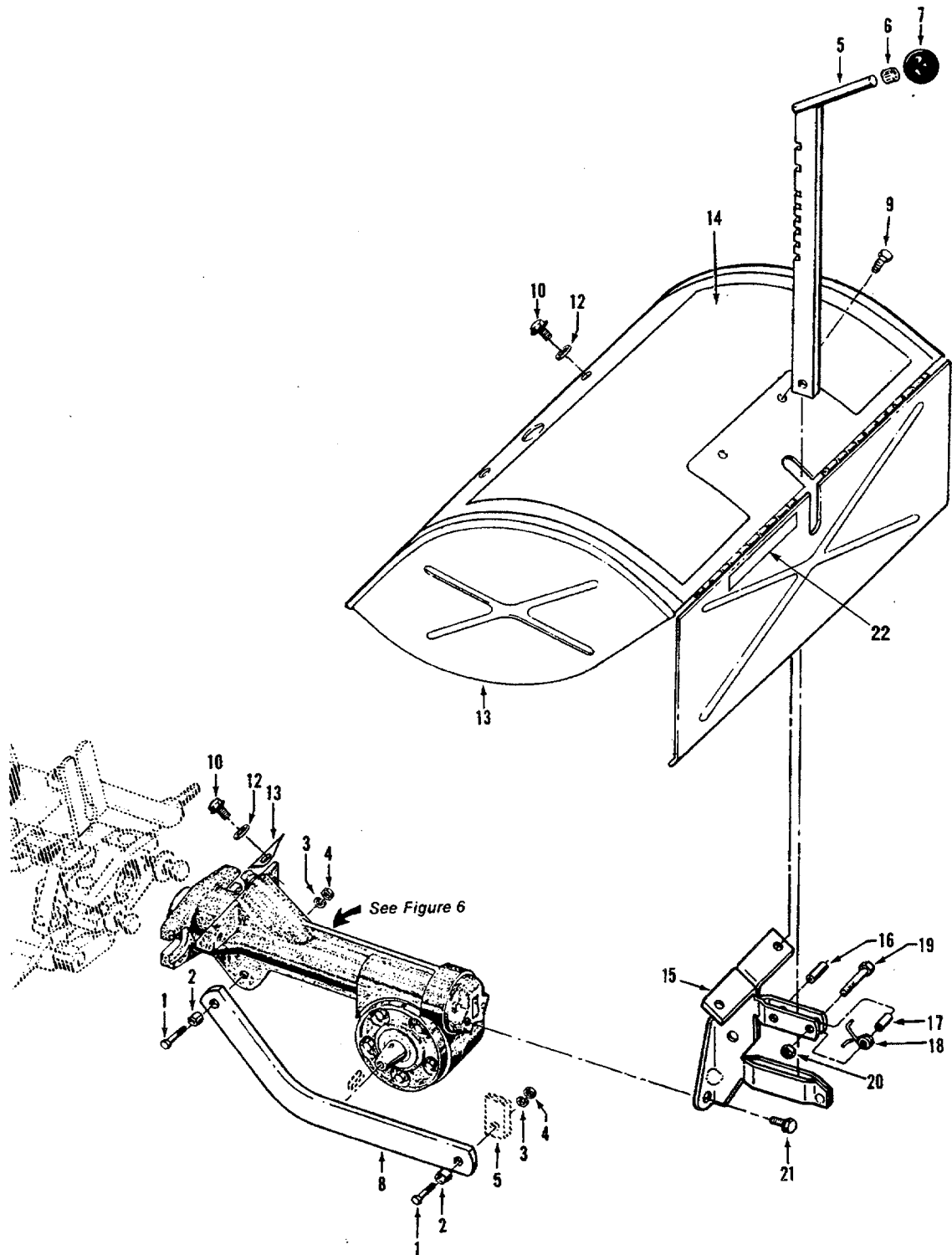
REF No.	PART No.	DESCRIPTION	QTY.
WHEEL SPEED LEVER			
1	9362	Pin-spring, 1/8"	1
2	9838	Nut-castle (slotted), 1/2-20	1
3	9934	Washer-shoulder, 1/2"	1
4	9932	Washer-disc spring	2
5	1902319	Lever-wheel speed shift (incl. Ref. No.'s 6, 18 and 36)	1
6	1902240	Knob-wheel speed shift lever	1
7	9317	Pin-cotter, 3/32 x 1"	1
8	1231	Rod-connecting rod, wheel speed shift lever	1
9	1033	Swivel-connecting rod	1
10	9902	Washer-flat, 5/16", S.A.E.	1
11	9338	Pin-hair cotter	1
12	1110107	Locknut-hex hd., 5/16-18	1
13	1100046	Bolt-flanged hex hd., 3/8-16 x 1" ..	5
14	1100243	Lockwasher-spring lock, 3/8"	1
14A	9903	Washer- flat, .438"	1
15	9904	Washer-flat, 3/8", S.A.E.	7
16	----	This Ref. No. not used	
17	1113-1	Bushing-spacer, 19/64 (.300).....	4
18	9120	Ring-retaining (tolerance ring)	1
BELT DRIVE SYSTEM			
19	1920	Block-belt adjustment, 3-7/8" (incl. Ref. No.'s 13,15, and 20)	1
20	2100	Rod-belt adjust. 7" with measuring gauge.....	1
21	1900766	Decal-engine stabilization, (for Briggs&Stratton engine)	
22	1100011	Bolt-hex hd., 3/8-24 x 1-1/2"	1
23	1919	Disc-reverse, (incl. Ref. No. 19) ...	1
24	9245	Belt-forward drive (no substitute recommended due to extra strength required).....	1
25	1483	Pulley-engine power take off	1
26	1138-1	Shim-engine pulley, 1/16" As Req'd	
26	1138-2	Shim-same as above, 1/32" As Req'd	
27	9303	Key-engine pulley, 3/16 sq. x 2-1/2" 1	

REF No.	PART No.	DESCRIPTION	QTY.
ENGINES AND ENGINE MOUNT			
28	1100045	Bolt-hex hd., 5/16-18 x 1", GR5....	2
29	1186230	Nut-hex, 5/16-18	4
30	1034	Bar-engine mounting.....	2
31	9147	Plug-thread protector, red plastic.	2
32	9572	Bolt-hex hd., 5/16-24x1-1/8"	4
33	1100242	Lockwasher-spring lock. 5/16"	6
34	1900726021	Mount-engine to tiller	1
35	*	8HP Briggs & Stratton Engine-recoil start.	1
36	1903599	Decal-Wheel Speed Lever	1
37	----	This Ref No. not used	
38A	1909064001	Muffler Guard.....	1
38B	1902750	Decal-hot surfaces safety warning	2
39	----	This Ref No. not used	
40	2522	Engine Weight-for Briggs & Stratton engine only	1
41	1111607	Bolt-hex hd., 5/16-18x2-1/4", GR5	2
42	20553	Spacer-zinc plated	2
WHEEL & TIRE ASSEMBLIES			
43	9322	Pin-roll, 5/16 x 1-1/2"	2
44	----	This Ref No. not used	
45	2709-01	**Wheel & Tire Assy-bar tread, left side, 4:80 x 8 tubeless tire with valve stem, mounted on single-piece steel wheel	1
45A	2709-02	**Wheel & Tire Assy-bar tread, side. Same as above but for right side of tiller	1
46	1902020	Cap-wheel hub	2
47	1903584	Decal-Warning-Hot Surface	1

* Contact an your authorized Bolens dealer for replacement engine information. Contact an authorized engine dealer for engine service or parts. Refer to the engine nameplate for engine model and type information.

** For correct traction and directional control, Bar Tread Tires should be mounted on the tiller so that the closed end of the "V" in the tire tread on top of the tire will face forward.

DEPTH REGULATOR & TINE HOOD ASSEMBLIES
(Figure 4)

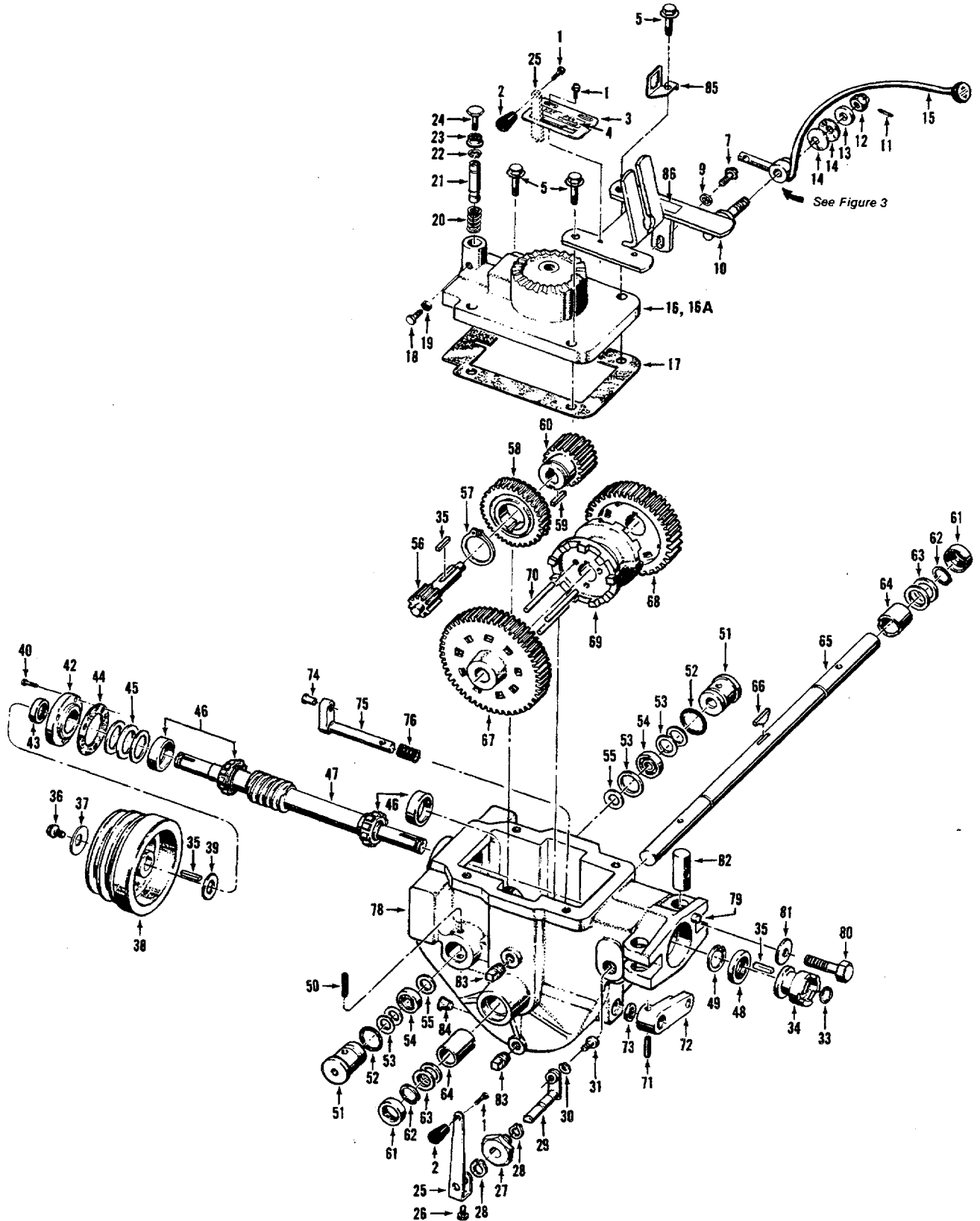


REF No.	PART No.	DESCRIPTION	QTY.	REF No.	PART No.	DESCRIPTION	QTY.
1	1100043	Bolt-hex hd., 3/8-16 x 1-1/4,	2	11	----	This Ref. No. not used	
2	1113-1	Bushing-19/64 (.300")	2	12	9929	Washer-flat, 5/16.....	2
3	1100243	Lockwasher-spring lock, 3/8	2	13	1900721	Hood-(incl. Ref. Nos. 14 and 22)..	1
4	1186231	Nut-hex, 3/8-16	2	14	1900732	Decal-hood, operating instr.	1
5	1902318	Bar-depth regulator (incl. Ref. No.'s 6 and 7).....	1	15	1900757	Bracket-(incl. Ref. No. 16).....	1
6	9120	Ring-retaining	1	16	9308	Pin-roll (spiro!) 1/4 x 1	1
7	9119	Knob-depth regulator (incl. Ref. No. 6)	1	17	9534	Spacer	1
8	1900867021	Bar-drag, depth regulator	1	18	9384	Spring	1
9	9552	Screw-thread forming, 1/4-20 x 1/2.....	2	19	1100069	Bolt-hex hd., 1/4-20 x 1.....	1
10	1186329	Bolt-flanged hex hd., 5/16-18 x 3/4	2	20	9811	Locknut-1/4-20	1
				21	90038	Bolt-flanged hex hd., 5/16-18 x 5/8.....	2
				22	1903588	Decal-Caution-Operation/Hazard..	1

Not For Resale

www.SmallEngineDiscount.com

POWER UNIT TRANSMISSION ASSEMBLIES
(Figure 5)



REF No.	PART No.	DESCRIPTION	QTY.
1	1186299	Bolt-hex hd., 10-32 x 3/8", self-lock flange.....	3
2	9463	Knob-tines/PTO clutch lever, tapered, plastic	1
3	1903628	Detent Plate-tines/PTO lever (incl. Ref. No. 4)	1
4	1903600	Decal-operating instructions	1
5	1186347	Bolt-flanged hex hd., 3/8-16 x 1-1/2"	4
6	----	This Ref. No. not used	
7	1186329	Bolt-flanged hex hd., 5/16-18 x 3/4", GR5	1
8	----	This Ref. No. not used	
9	9902	Washer-flat, 5/16", S.A.E.	1
10	1900870021	Bracket-shift lever	1
11	9362	Pin-spring, 1/8"	1
12	9838	Nut-castle (slotted), 1/2-20, call Tech. Serv. for tightening instr... ..	1
13	9934	Washer-shoulder, 1/2"	1
14	9932	Washer-disc spring	2
15	----	Lever-wheel speed shift (see page 4, Ref. No. 5 for part number)	1
16	1900869021	Cover-power unit trans housing... ..	1
17	1123	Gasket-transmission cover	1
18	1100045	Bolt-hex hd., 5/16-18 x 1", GR5, (remove with care)	1
19	1186230	Nut-hex, 5/16-18	1
20	1901439	Spring-neutral plunger (remove with care)	1
21	1035	Plunger-neutral (remove with care) (incl. Ref. No. 22)	1
22	1901440	Clip Ring-retains neutral plunger.. ..	1
23	1186393	Nut-hex, flange locknut, 3/8-16	1
24	1902004	Bolt-hex hd., 3/8-16 x 1-1/2", threaded full length.....	1
TINES/PTO CLUTCH LEVER ASSEMBLY			
25	1900878021	Lever-eccentric, tines/PTO Clutch (see Ref. No.'s 1,2,3, and 4)	1
26	1100804	Bolt-hex hd., 1/4-20 x 1/2"	1
27	2123	Bushing-tines/PTO clutch lever eccentric shaft	1
28	9516	Retaining Ring-external (snap ring).....	2
29	2461	Eccentric-shaft, tines/PTO clutch lever.....	2
30	9911	Lockwasher-hi-collar, 1/4"	1
31	9672	Screw-socket hd., 1/4-20 x 3/8"	8

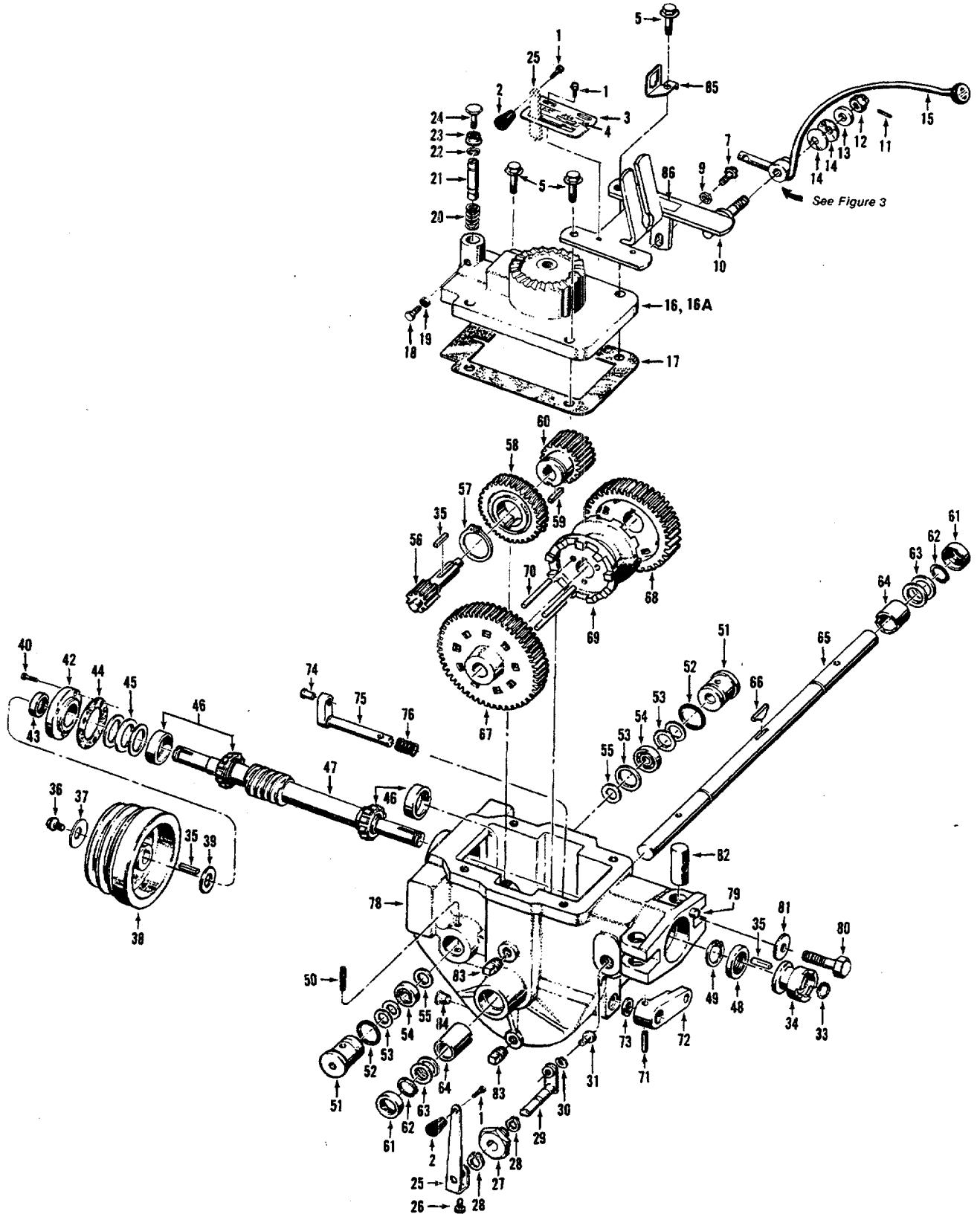
REF No.	PART No.	DESCRIPTION	QTY.
DRIVE SHAFT ASSEMBLY			
32	----	This Ref. No. not used	
33	9500	Retaining Ring-external	1
34	1909139	Dog Clutch-power unit	1
35	9301	Key-3/16 sq. x 1"	3
36	1100004	Bolt-hex hd., 5/16-24 x 3/4", self-locking flange, GR5	1
37	9944	Washer-disc spring (concave).....	1
38	2107	Pulley-transmission drive, cast iron ..	1
39	50027	Washer-flat, hardened shoulder 1-1/4".....	1
40	1186310	Bolt-hex hd., 1/4-20 x 3/4", front bearing cap.....	3
41	----	This Ref. No. not used	
42	1900879021	Cap-front bearing	1
43	85030	Seal-oil, front bearing cap	1
44	1124-2	Gasket-front bearing cap	1
45	1224-1	Shim-front bearing cap, .010" thick.....	As Req'd
45	1224-2	Shim-same as above, .030" thick.....	As Req'd
45	1224-3	Shim-same as above, .005" thick.....	As Req'd
45	1224-4	Shim-same as above, .062" thick	As Req'd
46	1714	Bearing & Cup-tapered cone roller bearing with cup (race). Cone and cup sold as set only.....	2
47	11601	Shaft-main drive, power unit. Incl. integral worm, plus two pressed-on cone roller bearings, two bearing cups and two shoulder washers.....	1
48	9617	Seal-oil, drive shaft, rear	1
49	9517	Retaining Ring-(snap ring), internal ..	1
Pinion Shaft Assembly			
50	9309	Pin-roll (spiro), 1/4 x 2"	2
51	1060A	Plug-retaining, pinion bearing (incl. Ref. No. 52)	2
52	9604	O-Ring-retaining plug.....	2
53	1132-1	Shim-retaining plug, 1-1/64 inner dia., .033" thick (on right side only one #1132-1 shim is also used between bearing and washer, Ref. No.'s 54 & 55).....	As Req'd

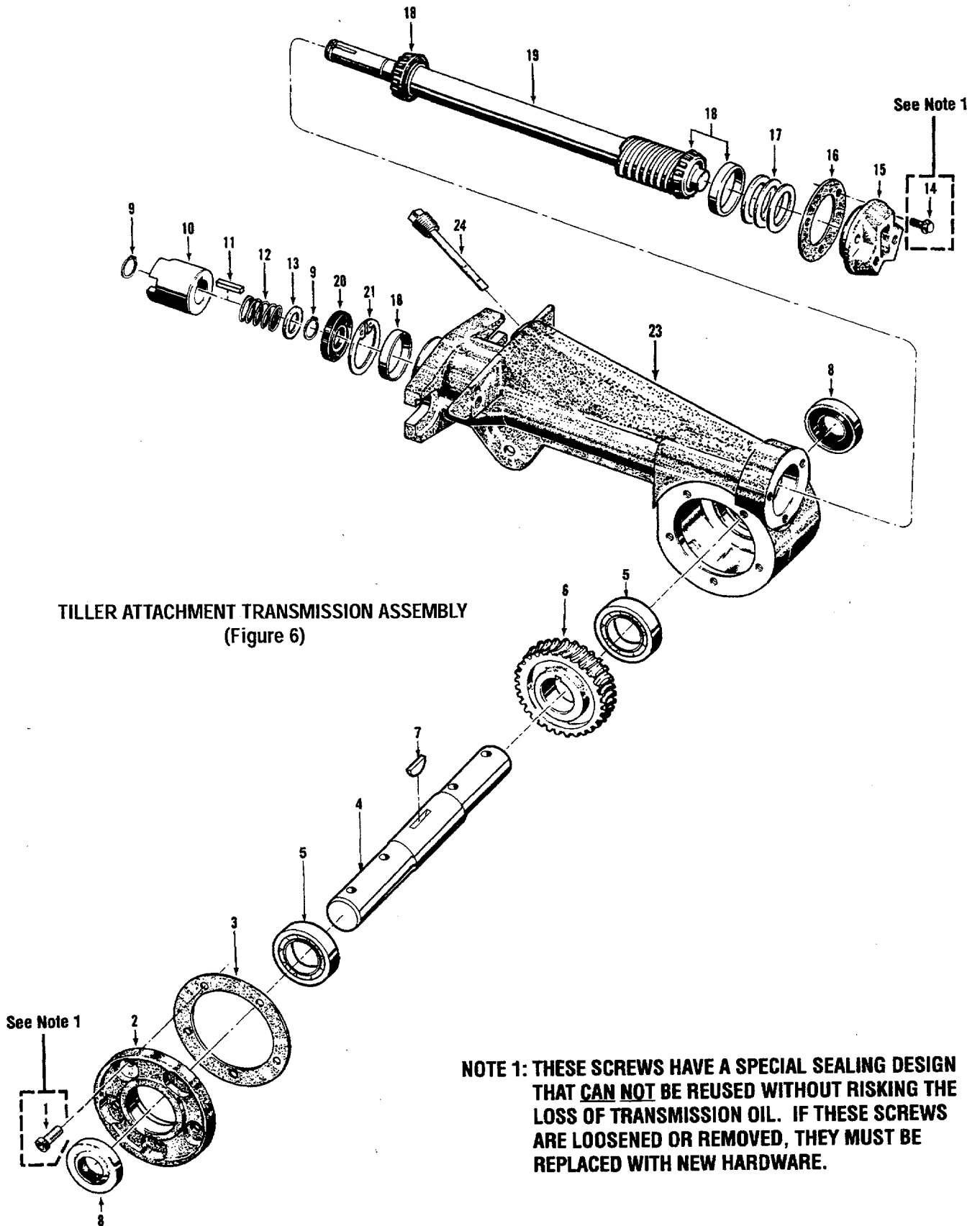
(continued)

REF No.	PART No.	DESCRIPTION	QTY.
PINION SHAFT ASSEMBLY CONTINUED			
53	1132-2	Shim—same as on page 9, .062" thick	As Req'd
53	1132-3	Shim—same as on page 9, .010" thick	As Req'd
54	9404	Bearing—ball, pinion shaft	2
55	1126	Washer—pinion shaft	2
56	1222	Stem Pinion—slow speed gear & shaft	1
57	9502	Ring—retaining, external	1
58	2656	Worm Gear—bronze, wheel drive ...	1
59	9300	Key—3/16 x 5/8	1
60	1233	Gear—fast speed pinion	1
WHEEL SHAFT ASSEMBLY			
61	9621	Seal—oil, wheel shaft	2
62	9511	Retaining ring—external	2
63	1166-1	Shim—wheel shaft, 1-1/64 inner dia. .062 thick	As Req'd
63	1166-2	Shim—same as above, .030 thick ..	As Req'd
63	1166-3	Shim—same as above, .015 thick ..	As Req'd
63	1166-4	Shim—same as above, .010 thick ..	As Req'd
63	1166-5	Shim—same as above, .005 thick ..	As Req'd
64	1086	Bushing—bronze, wheel shaft bearing	2
65	1878	Shaft—wheel, 15-5/8, (Incl. two of Ref. No. 62 and one Ref. No. 66)	1
66	9357	Key—Hi Pro, 1/4 x 1-3/4	1
67	1223	Gear—slow speed, wheel drive	1
68	1232	Gear—fast speed, wheel drive	1
69	1237	Dog Clutch—wheel drive	1
70	1112	Pin—clutch guide, 1/4 diameter	3

REF No.	PART No.	DESCRIPTION	QTY.
ECCENTRIC SHAFT ASSEMBLY			
71	9307	Pin—roll, 3/16 x 1-1/4 (spirol)	1
72	1900880021	Lever—eccentric, wheel speed shifting	1
73	9622	Seal—oil, eccentric shaft	1
74	1442	Pin—eccentric shaft, wheel speed shifting	1
75	2712	Eccentric Shaft—wheel speed shifting	1
76	1441	Spring—eccentric shaft	1
77	----	This Ref. No. not used	
TRANSMISSION HOUSING			
78	2260	Housing—power unit transmission (incl. Ref. No. 79), empty housing without covers, shafts, gears, seals, etc. Call Factory before ordering)	1
79	9359	Pin—alignment	1
MISCELLANEOUS PARTS			
80	1100067	Bolt—hex hd., 1/2-13 x 2 GR5	2
81	9928	Washer—disc spring (concave) domed side faces bolt head	2
82	2126	Post—with threaded hole for Ref. No. 80	2
83	9726	Plug—pipe, 1/4	2
84	9122	Plug—red plastic, thread protector.	1
85	9205	Clip—forward interlock system plug connector (see page 16)	1
86	1900759	Decal—forward interlock wire harness	1

POWER UNIT TRANSMISSION ASSEMBLIES
(Figure 5 - Figure repeated for customer convenience)





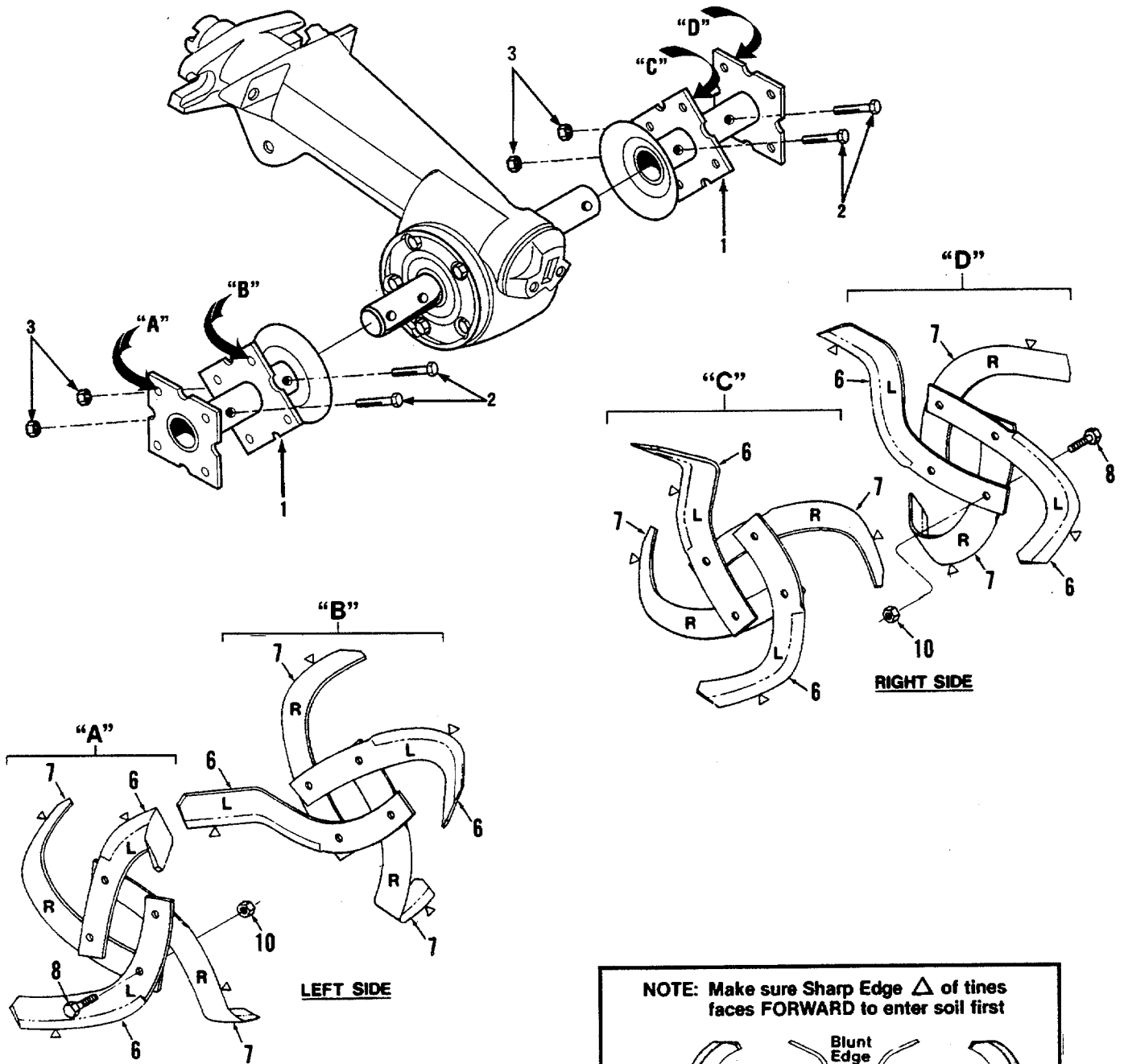
TILLER ATTACHMENT TRANSMISSION ASSEMBLY
(Figure 6)

NOTE 1: THESE SCREWS HAVE A SPECIAL SEALING DESIGN THAT CAN NOT BE REUSED WITHOUT RISKING THE LOSS OF TRANSMISSION OIL. IF THESE SCREWS ARE LOOSENED OR REMOVED, THEY MUST BE REPLACED WITH NEW HARDWARE.

TILLER ATTACHMENT TRANSMISSION ASSEMBLIES
(Figure 6)

REF No.	PART No.	DESCRIPTION	QTY.	REF No.	PART No.	DESCRIPTION	QTY.
1	1915087	Screw Kit, includes five (5) 1/4"-20 x 5/8" self-sealing screws.....	As Req'd	17	1224-2	Shim-same as above, .030" thick.....	As Req'd
2	20873	Cover-tiller housing.....	1	17	1224-3	Shim-same as above, .005" thick.....	As Req'd
3	1129-1	Gasket-tiller housing cover, .010" thick.....	As Req'd	17	1224-4	Shim-same as above, .062" thick.....	As Req'd
3	1129-2	Gasket-same as above, .030" thick.....	As Req'd	18	1714	Bearing & Cup-sold as set only	2
4	1901972	Shaft-tiller tine.....	1	19	11602	Shaft-main tiller drive (incl. an integral worm gear, plus two pressed-on cone roller bearings, two bearing cups (ref. no. 18) and one shoulder washer	1
5	97074	Ball Bearing.....	2	20	9617	Seal-oil, drive shaft, front.....	1
6	1901976	Worm Gear-bronze, tiller tine shaft	1	21	9517	Retaining Ring-internal.....	1
7	1104	Key-tiller tine shaft, woodruff key.	1	22	---	This Ref. No. not used.	
8	97073	Seal-oil, tiller tine shaft.....	2				
TILLER DRIVE SHAFT ASSEMBLY				TRANSMISSION HOUSING AND DIPSTICK			
9	9500	Retaining Ring-external.....	2	23	1902000	Housing-tiller attachment (incl. pressed-on sleeve in front of housing.) Empty housing without shafts, gears, seals, dipstick, etc.	1
10	1909138	Dog Clutch-tiller drive shaft.....	1	24	1909157	Dipstick-oil level, tiller attachment	1
11	9301	Key-3/16 x 1".....	1				
12	2127	Spring-dog clutch.....	1				
13	1138-1	Shim-dog clutch, 1/16 (.62") thick	1				
14	1915089	Screw Kit, includes three (3) 1/4"-20 x 7/8" self-sealing screws.....	As Req'd				
15	1900881021	Cap-rear bearing.....	1				
16	1124-2	Gasket-rear bearing cap	1				
17	1224-1	Shim-front bearing cap, .010" thick.....	As Req'd				

BOLO TINE ASSEMBLIES
(Figure 7)



LEGEND:
 △ = Sharp Edge
 L = Left Bolo Tine
 R = Right Bolo Tine

NOTE: Make sure Sharp Edge △ of tines faces FORWARD to enter soil first

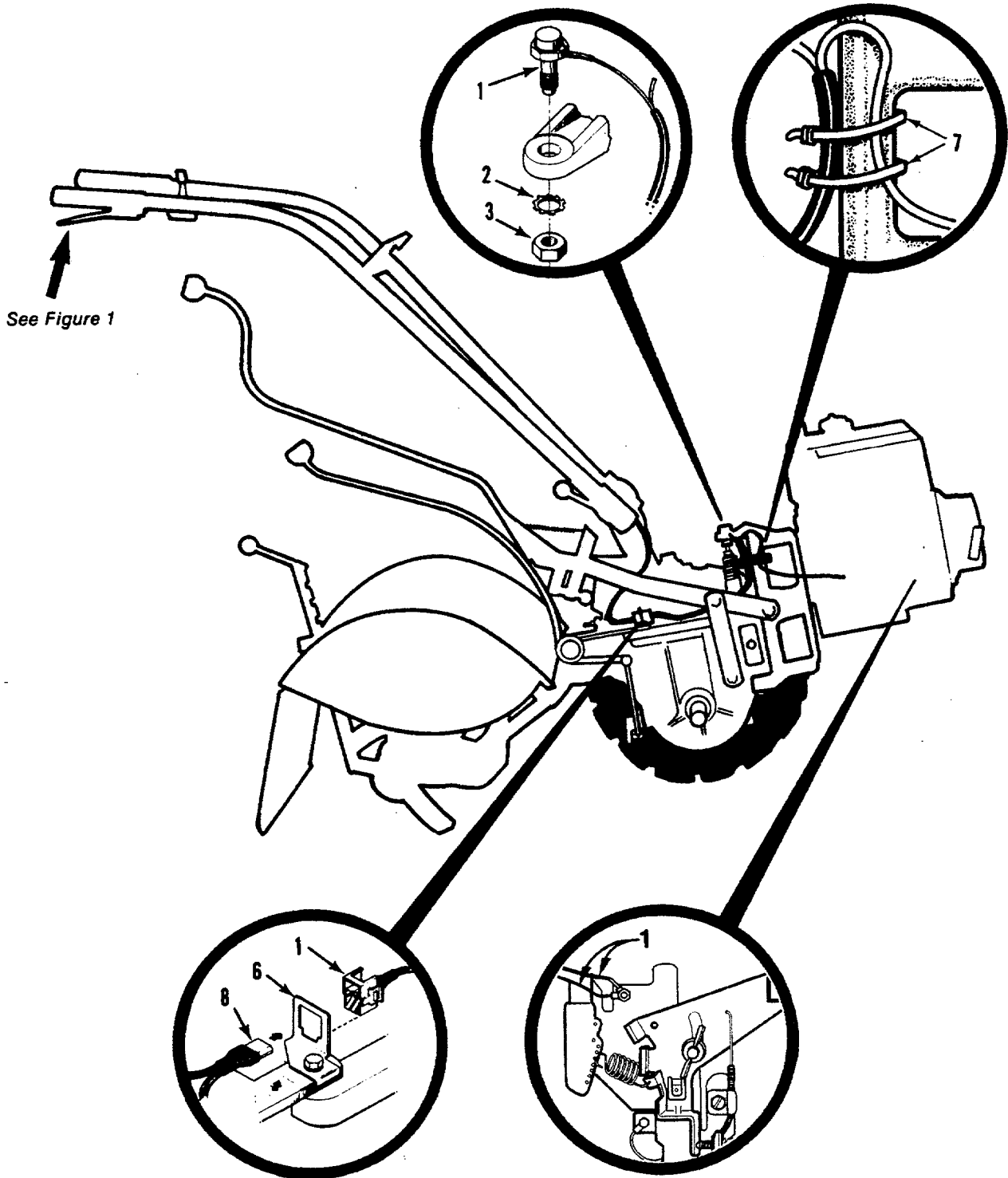
LEFT HAND TINE RIGHT HAND TINE
 (As viewed with blunt edge facing you.)

**BOLO TINE ASSEMBLIES
(Figure 7)**

REF No.	PART No.	DESCRIPTION	QTY.
1	1901975021	Tine Holder-welded steel, LH & RH	2
2	1982612	Bolt-hex hd., 3/8-16 x 2".....	4
3	1110108	Locknut-3/8-16.....	4
4	----	This Ref. No. not used.....	
5	----	This Ref. No. not used.....	
6	1270-1A	Bolo Tine-single, left hand. Used on left and right side tine assy. Tine is stamped either "EL" or "AL". (Incl. two each of Ref. No.'s 8, 9 and 10).....	8
7	1270-2A	Bolo Tine-single, right hand. Used on left and right side tine assy. Tine is stamped either "ER" or "AR". (Incl. same hardware as Ref. No. 6).....	8
8	1100046	Bolt-hex hd., 3/8-16 x 1".....	16
9	1100243	Lockwasher-3/8".....	16
10	1186231	Nut-hex, 3/8-16.....	16
---	1901118	Tine Replacement Kit-unassembled (Incl. eight each of Ref. No.'s 6, and 7, sixteen each of Ref. No.'s 8, 9 and 10). Includes easy-to-follow installation instructions. DOES NOT INCLUDE tine holders, holder mounting hardware, or tine shaft keys.....	1

REF No.	PART No.	DESCRIPTION	QTY.
CUSTOM TILLING TINES			
Special hard faced, high chrome carbon alloy tines that are thicker than standard Bolo Tines. These tines better resist the abrasive action of rocky, gritty or sandy soil as compared to standard Bolo Tines, and are especially suited for custom tilling or market gardening.			
---	10802	Custom Tilling Tine Kit-(Incl. eight of each Part #2475-1 and #2475-2 tines and sixteen of each of #9711 bolts and #9807 locknuts.....)	1
---	2475-1	Bolo Tine, Custom Tilling-single, left hand.....	8
---	2475-2	Bolo Tine, Custom Tilling-single, right hand.....	8
---	1110108	Locknut-hex, 3/8", used in place of Ref. No.'s 9 and 10 when using Custom Tilling Tines.....	16

FORWARD INTERLOCK SYSTEM
(Figure 8)



BRIGGS & STRATTON

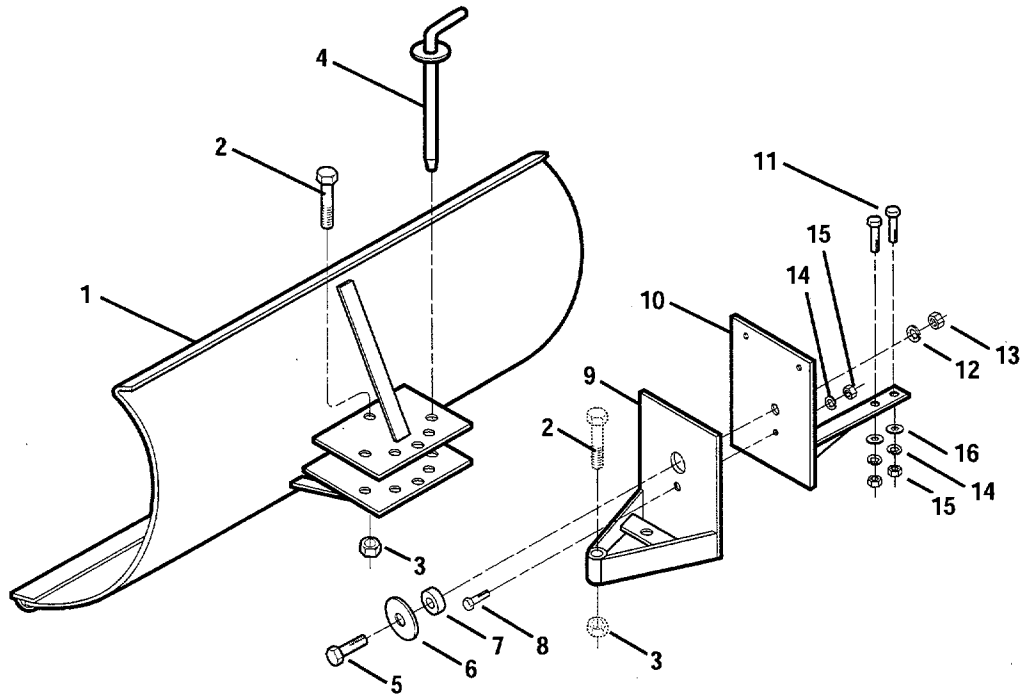
**FORWARD INTERLOCK SYSTEM
(Figure 8)**

REF No.	PART No.	DESCRIPTION	QTY.	REF No.	PART No.	DESCRIPTION	QTY.
1	2552	Engine Wire Harness Assy-forward interlock system (Incl., one red and one black wire, plug connector, neutral switch and PVC tubing. Parts not available separately.....	1	4	----	This Ref. No. not used	
2	9971	Lockwasher-external tooth, 7/16	1	5	----	This Ref. No. not used	
3	1186246	Nut-hex, 7/16-20	1	6	9205	Clip-for plug connector	1
				7	9202	Tie-plastic	1
				8	2551	Handlebar Wire Harness Assy-(see page 2, Ref. No. 20)	1

Not For Resale

www.SmallEngineDiscount.com

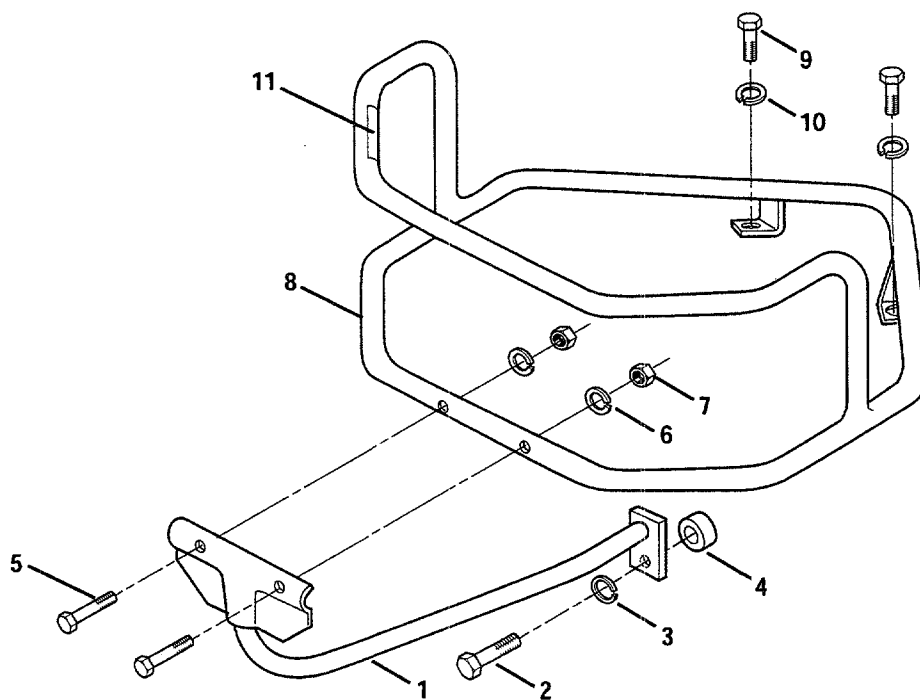
**DOZER/SNOW BLADE ATTACHMENT
(Figure 9)**



NOTE: The Bumper Attachment (see Page 19) must be installed before installing the Dozer/Snow Blade Attachment.

REF No.	PART No.	DESCRIPTION	QTY.	REF No.	PART No.	DESCRIPTION	QTY.
---	12584	Dozer/Snow Blade Kit (Incl. Ref. No.'s 1 through 16) .	1	8	1100808	Bolt-hex hd., 5/16-18 x 1-1/4.....	1
1	1900780001	Blade-dozer/snow	1	9	1909773001	Bracket-swivel ("A" frame)	1
2	1100057	Bolt-hex hd., 1/2-13 x 3	1	10	1909774001	Bracket - mounting	1
3	1110110	Locknut-hex, 1/2-13	1	11	1100779	Bolt-hex hd., 5/16-18 x 1-3/4.....	4
4	1900781001	Index Pin (blade angle adjust.)	1	12	1100245	Lockwasher-spring lock, 1/2.....	2
5	1100064	Bolt-hex hd., 1/2-13 x 1-1/2.....	1	13	1186233	Nut-hex, 1/2-13	1
6	9905	Washer-plain, 1/2	1	14	1100242	Lockwasher-spring lock, 5/16.....	5
7	1416	Bushing	1	15	1186230	Nut-hex, 5/16 x 18	5
				16	9902	Washer-plain, 5/16, S.A.E.	2

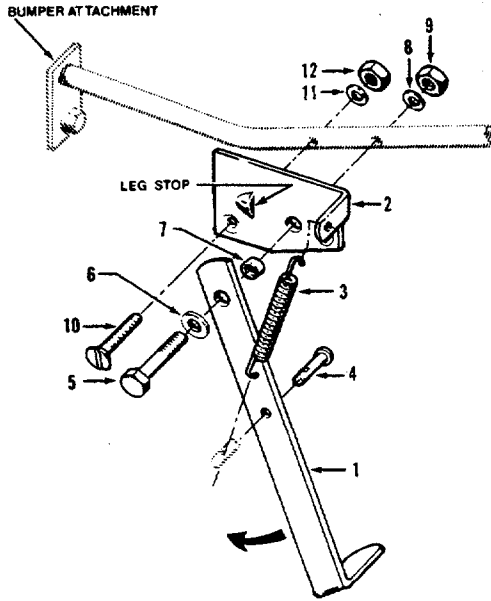
**BUMPER ATTACHMENT
(Figure 10)**



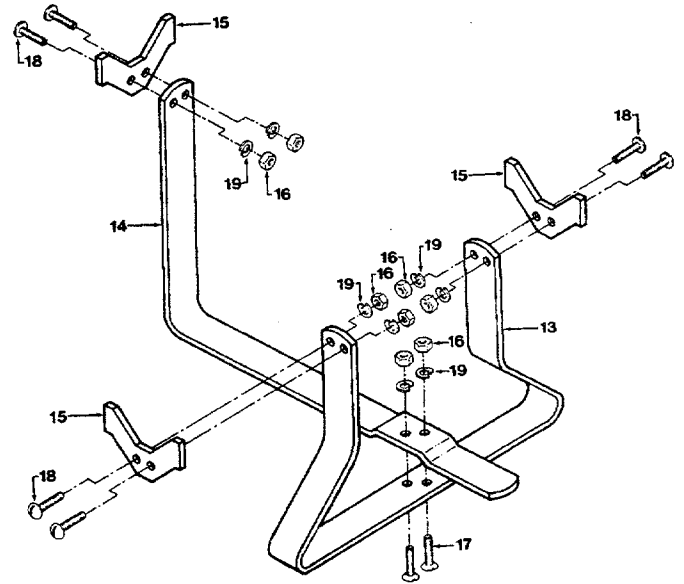
REF No.	PART No.	DESCRIPTION	QTY.
---	12588	Bumper Attachment (Incl. Ref. Nos. 1 through 11)	1
1	1910730001	Brace – bumper bottom.....	1
2	1909765	Bolt – hex hd., 1/2-13 x 1-1/2.....	1
3	1100245	Lockwasher–spring lock, 1/2.....	1
4	1909748	Spacer– 1/2".....	1
5	1100799	Bolt – hex hd., 5/16-18 x 1-1/2....	2

REF No.	PART No.	DESCRIPTION	QTY.
6	1100242	Lockwasher – spring lock, 5/16...	2
7	1186230	Nut – hex, 5/16-18	2
8	1910731001	Bumper – wraparound.....	1
9	1100046	Bolt – hex hd., 3/8-16 x 1	2
10	1100243	Lockwasher – spring lock, 3/8.....	2
11	1448	Decal – for bumper.....	1

**KICKSTAND ATTACHMENT
(Figure 11)**



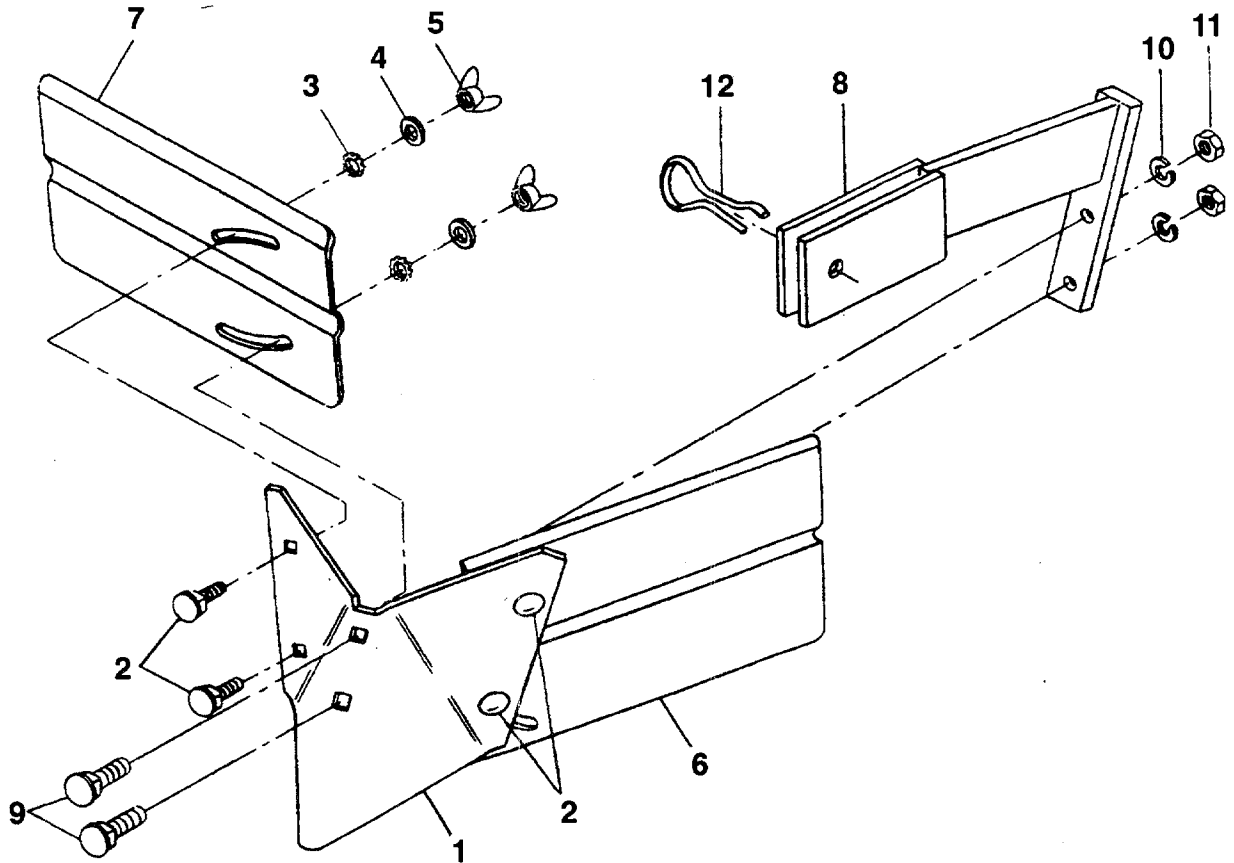
**TINE ATTACHMENT CRADLE
(Figure 12)**



REF No.	PART No.	DESCRIPTION	QTY.
KICKSTAND ATTACHMENT			
---	12580	Kickstand—complete (Incl. Ref. No.'s 1 through 12). Kickstand attaches to lower brace of bumper attachment (Part No. 12557) ...	1
1	1904520001	Leg—kickstand	1
2	1904521001	Plate—kickstand mounting	1
3	1492	Spring—kickstand.....	1
4	9336	Pin—clevis	1
5	1111606	Bolt—hex hd., 5/16-18 x 2, GR5 ...	1
6	9902	Washer—flat, 5/16, S.A.E.....	1
7	9473	Bushing—.438 long (.313 O.D., .275 I.D.).....	1
8	1100242	Lockwasher—spring lock, 5/16.....	1
9	1186230	Nut—hex, 5/16-18	1
10	9567	Screw—flat hd., 1/4-20 x 1-1/2.....	1
11	1100241	Lockwasher—spring lock, 1/4.....	1
12	1186229	Nut—hex, 1/4-20	1

REF No.	PART No.	DESCRIPTION	QTY.
TINE ATTACHMENT CRADLE			
--	12583	Tine Attachment Cradle—complete (incl. Ref. No.'s 13 through 19) For storing tine attachment when removed from power unit. Also assists in removal and replacement of tine attachment	1
13	1900894001	Rear Cradle Support	1
14	1900893001	Front Cradle Support	1
15	1900895001	Tine Cradle Plate.....	3
16	1186229	Nut—hex, 1/4-20	8
17	9580	Screw—hex hd., 1/4-20 x 3/4	2
18	1100805	Screw—round-head, 1/4-20 x 3/4.	6
19	1100241	Lockwasher—spring lock, 1/4.....	8

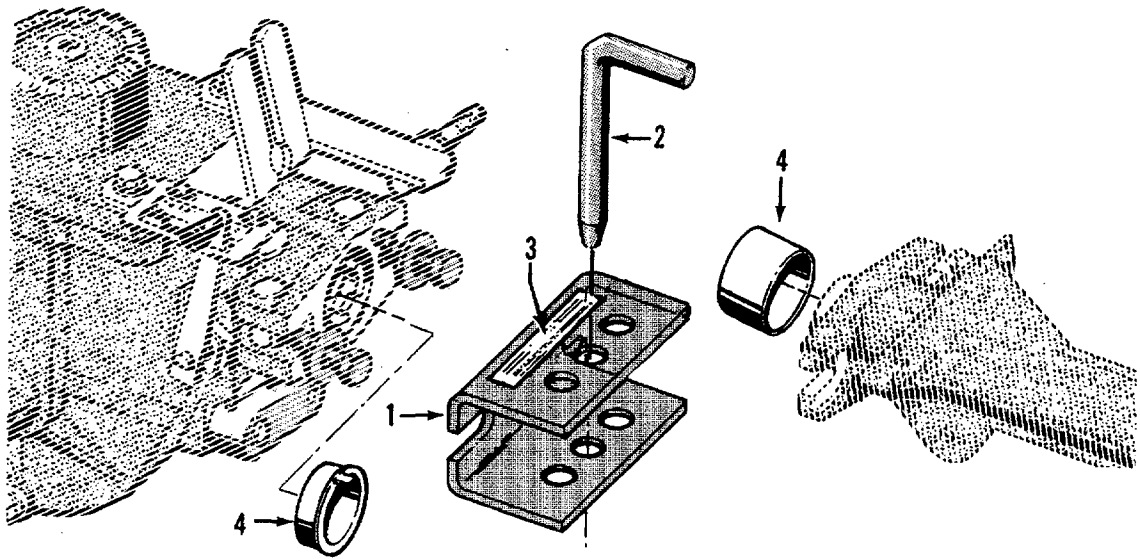
**HILLER/FURROWER ATTACHMENT
(Figure 13)**



REF No.	PART No.	DESCRIPTION	QTY.
---	12578	Hiller/Furrower—complete (incl. Ref. No.'s 1 through 12). Owner must bolt blade to mounting bracket and wings to blade. Instructions included	1
1	1900771001	Furrower—blade only	1
2	1186098	Carriage Bolt—5/16-18 x 3/4	4
3	1177548	Star Washer—external tooth, 5/16	4
4	9902	Washer—plain, 5/16 S.A.E.	4
5	9824	Wing Nut—5/16-18	4

REF No.	PART No.	DESCRIPTION	QTY.
6	1900777001	Hiller Wing—left	1
7	1900778001	Hiller Wing—right	1
8	1900772001	Bracket—blade mounting	1
9	9725	Carriage Bolt—blade mounting 3/8-16 x 1-1/2	2
10	1100243	Lockwasher—spring lock, 3/8 plated	2
11	1186231	Nut—hex, 3/8-16, plated	2
12	9318	Pin—clinch	1

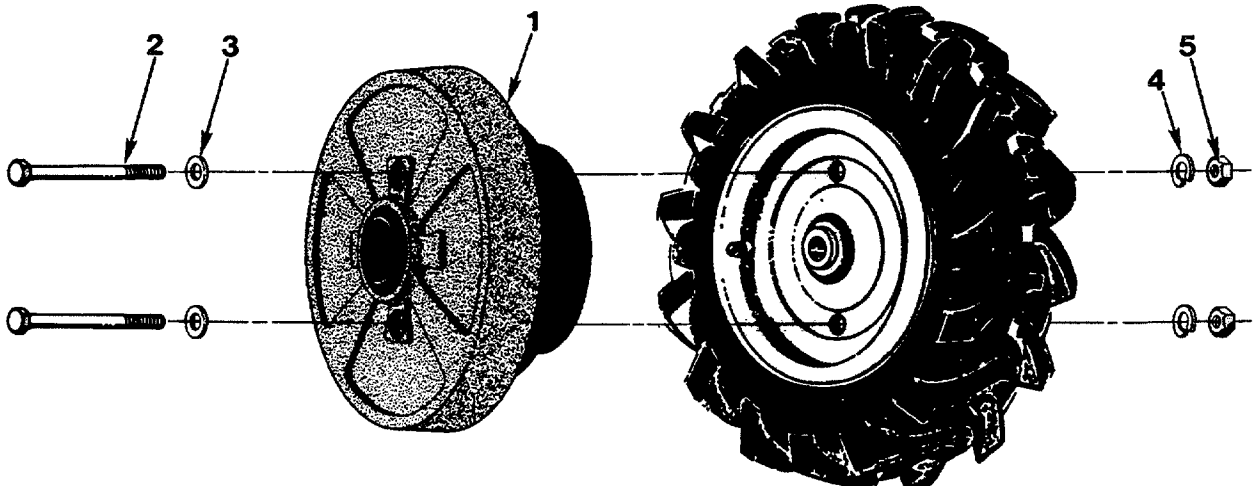
**TOW HITCH ATTACHMENT
(Figure 14)**



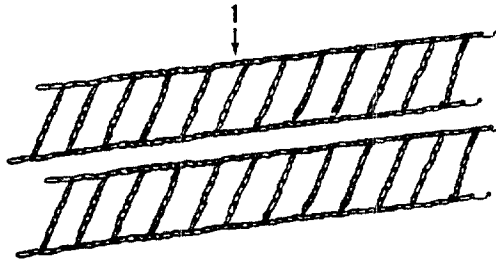
REF No.	PART No.	DESCRIPTION	QTY.
TOW HITCH ATTACHMENT (Figure 14)			
---	12577	Tow Hitch Attachment—complete (incl. Ref. No.'s 1 through 4)....	1
1	1900779001	Hitch—mounting plate (incl. Ref. No. 3).....	1
2	9363	Pin—hitch	1
3	2288	Decal—warning instructions	1
4	2006	Dust Caps—two protective covers	1

REF No.	PART No.	DESCRIPTION	QTY.
WHEEL WEIGHTS (Figure 15)			
5	2382	Shell—wheel weight.....	2
6	1186411	Bolt—hex hd., 3/8-16 x 6	4
7	9904	Washer—flat, 3/8	4
8	1100243	Lockwasher—spring, 3/8	4
9	1186231	Nut—hex, 3/8-16	4
---	10185	Wheel Weight Kit—complete (incl. Ref. No. 5 through 9). Instructions included	1

**WHEEL WEIGHTS
(Figure 15)**

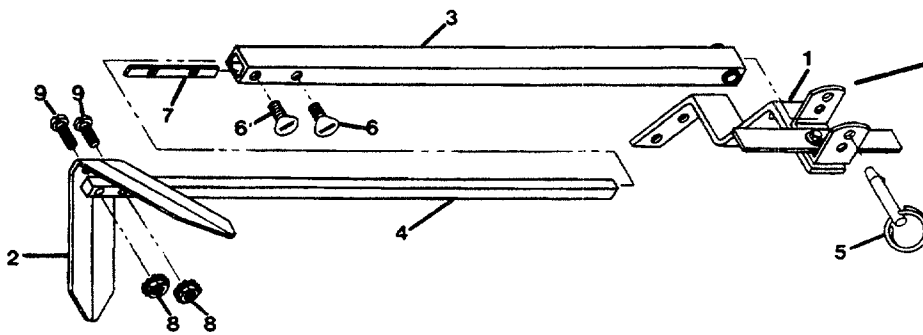


TIRE CHAINS
(Figure 16)



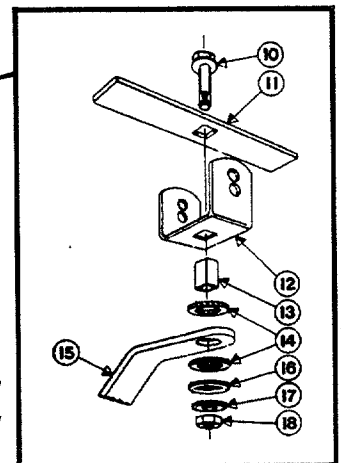
REF No.	PART No.	DESCRIPTION	QTY.
TIRE CHAINS (Figure 16)			
---	9146	Chains--tire, heavy-duty steel. For std. tread or bar tread tires. Two chains in a set.....	1
ROW MARKER ATTACHMENT Part #12589 (Figure 17) (complete - attaches to part #12578 Furrower)			
1	1904522001	Main Support & Yoke Assy--complete (incl. Ref. No. 10 through 18).....	1
2	1594	Marker blade--blade only	1
3	1904524001	Marker arm--main arm.....	1
4	1904523001	Marker arm--extension arm with stop pin.....	1
5	9347	Hitch Pin--incl. in #1837 hardware package.....	1
6	9786	Thumbscrew--1/4-20 x 1/2, incl. in #1837 hardware package.....	2
7	1596	Nut Bar--incl. in #1837 hardware package.....	1
8	9828	Nut--hex, 10-24 with starwashers (incl. in hwd. pkg. #1837).....	2

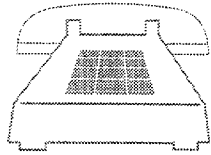
REF No.	PART No.	DESCRIPTION	QTY.
9	1100135	Screw--round hd., 10-24 x 1 (incl. in hwd. pkg. #1837)	2
---	1837	Hardware Pkg--incl. one each Ref. No. 5, and 7 and two each Ref. No.'s 6, 8 and 9.....	1
---	1850	Row Marker & Hiller/Furrower Attach Combination--complete Incl. #2638 Hiller/Furrower & #1832 Row Marker	1
ROW MARKER MAIN SUPPORT & YOKE ASSEMBLY (Part #1569)			
10	1186349	Bolt--flanged, self-locking, 3/8-16 x 1-1/2	1
11	1593	Stop Bar	1
12	1592	Yoke	1
13	1591	Tube Key--square	1
14	1590	Washer--friction	1
15	1588	Main Support.....	1
16	1589	Washer--square hole.....	1
17	9925	Washer--disc spring.....	1
18	1186231	Nut--hex, 3/8-16	1



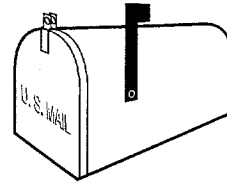
ROW MARKER ATTACHMENT
(Figure 17)

Main Support/
Yoke Assembly





HOW TO REACH US



Address	Telephone Numbers
Within the U.S.A. and Canada: Garden Way Incorporated 1 Garden Way Troy, New York 12180	For Customer Service: 1-800-437-8686 For Technical Service: 1-800-520-5520 For Parts: 1-800-648-6776 FAX: 518-391-7332
Outside the U.S.A. and Canada: Garden Way Incorporated 1 Garden Way Troy, New York U.S.A. 12180	For Customer Service: 518-391-7007 For Technical Service: 518--391-7008 For Parts: 518--391-7006 FAX: 518-391-7332



CAUTION

We urge that you use only genuine BOLENS replacement parts, which meet all of the latest requirements. Replacement parts manufactured by others could present safety hazards even though they may fit on this product.

Not For Resale
www.SmallEngineDiscount.com

Bolens[®]

For customer assistance, contact your nearest authorized dealer or:

GARDEN WAY INCORPORATED • 1 Garden Way • Troy, New York U.S.A. 12180
Customer Service: 1-800-437-8686 • Technical Service: 1-800-520-5520 • Parts Service: 1-800-648-6776 • FAX: (518) 391-7332

Outside the U.S.A. and Canada:

Customer Service: (518) 391-7007 • Technical Service: (518) 391-7008 • Parts Service: (518) 391-7006 • FAX: (518) 391-7332