

# GARDEN WAY

by **TROY-BILT**™

## Parts Catalog

### 8HP MODEL TILLER

Model

---

12194

Serial Numbers:

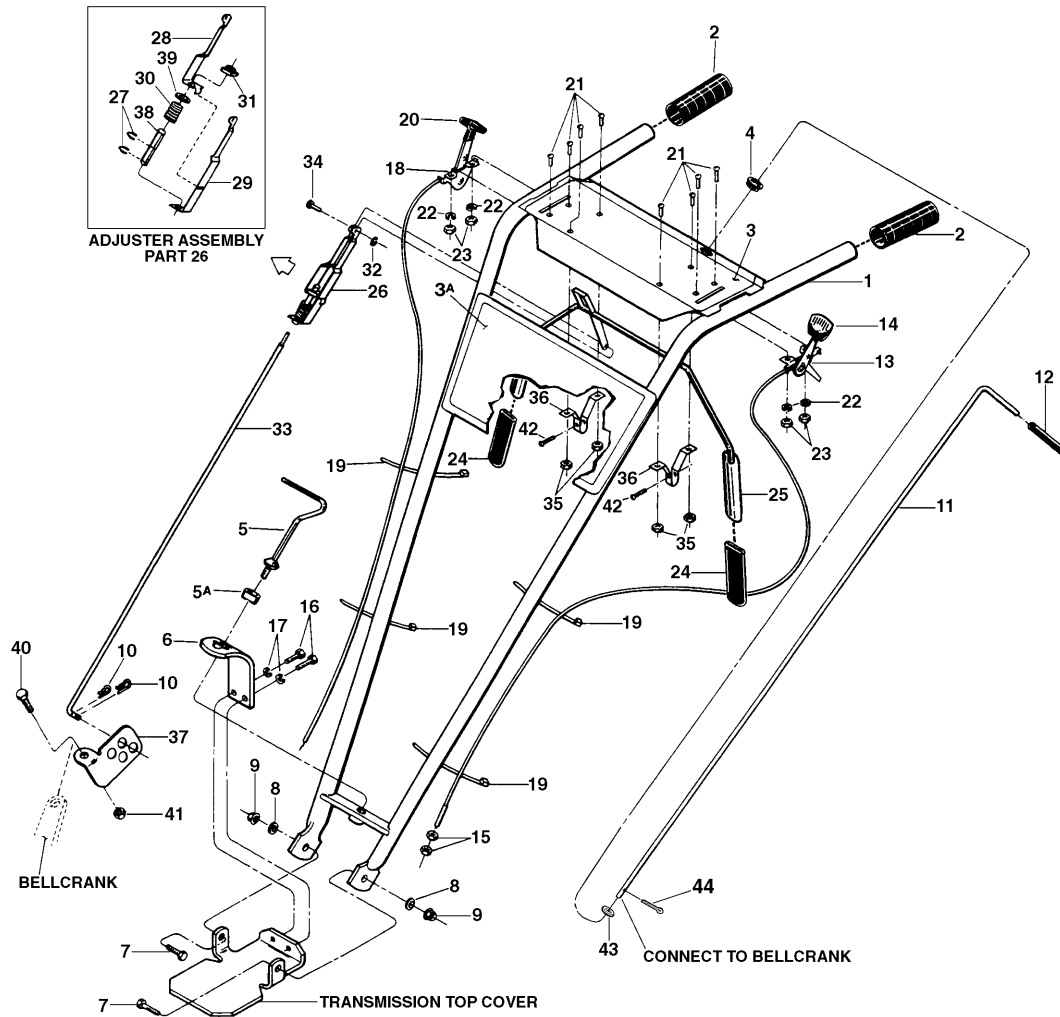
121941100101 - 121941299999



GARDEN WAY INCORPORATED **Not For Resale**

[www.SmallEngineDiscount.com](http://www.SmallEngineDiscount.com)

HANDLEBAR ASSEMBLY AND CONTROL LEVERS



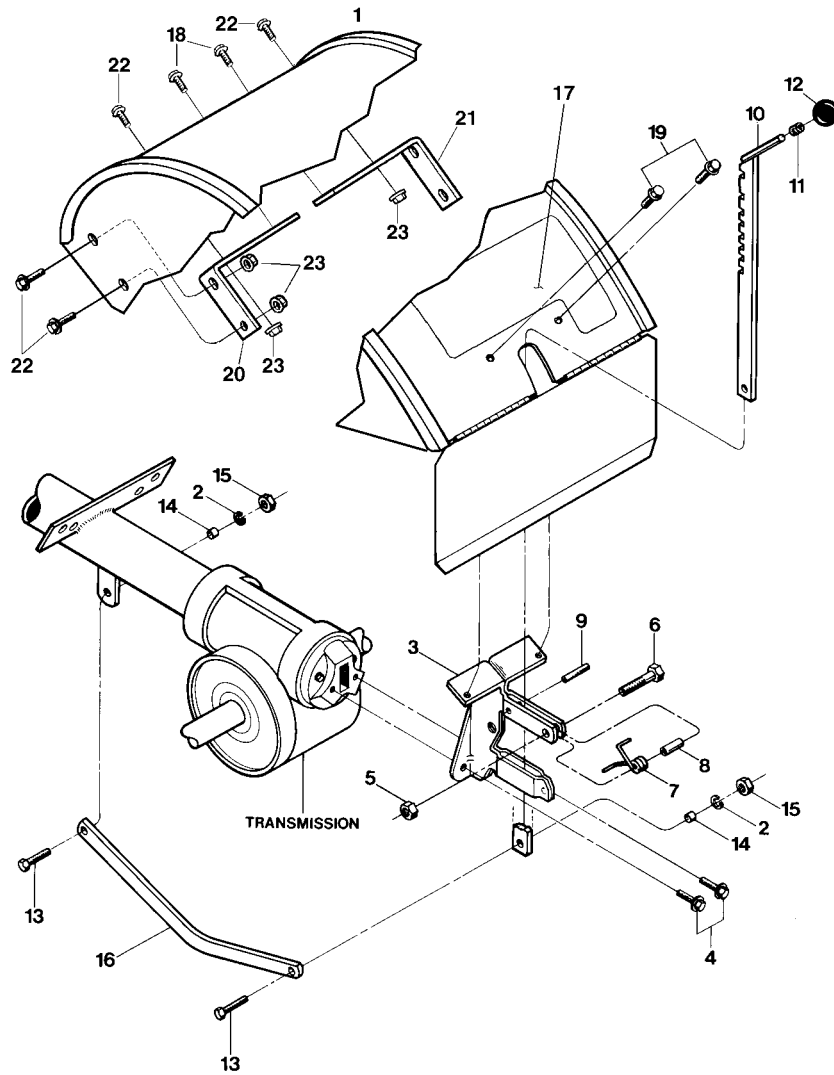
REF. No.	PART No.	DESCRIPTION	QTY.
1	1917117	Handlebars (Incl. Refs. 2, 3, 3A & 4) ...	1
2	9126	Grip, Handlebar .....	2
3	1917537	Decal, Control Panel .....	1
3A	1916926	Decal, Logo .....	1
4	9251	Grommet .....	1
5	1186347	Height Adjustment Handle .....	1
5A	9955	Keyed Washer .....	1
6	1900475001	Bracket, Handlebar Height Adj. ....	1
7	1100046	Hex Hd. Screw, 3/8-16 x 1* .....	2
8	9904	Flat Washer, 3/8, S.A.E. ....	2
9	9837	Hex Lock Nut, 3/8-16 .....	2
10	9338	Hair Pin Cotter .....	2
11	1916896	Reverse Clutch Lever. (Incl. Ref. 12) ...	1
12	9198	Grip, Reverse Clutch Lever .....	1
13	1916639	Wheel Gear Control & Cable Assy. ....	1
14	9057	Knob, Wheel Gear Control Lever .....	1
15	1186211	Hex Nut, 5/16-24 .....	2
16	1100068	Hex Hd. Screw, 3/8-16 x 3/4* .....	2
17	1100243	Lockwasher, 3/8 .....	2
18	9445	Engine Throttle Control & Cable .....	2
19	9202	Cable Tie .....	4
20	9212	Knob, Throttle Control .....	1
21	1114748	Round Hd. Screw, #10-32 x 1/2 .....	8
22	1100240	Lockwasher, #10 .....	4

REF. No.	PART No.	DESCRIPTION	QTY.
23	1186208	Hex Nut, #10-32 .....	4
24	9390	Grip, Paddle .....	2
25	20863	Bail, Forward Clutch (Incl. two Ref. 24)	1
26	20862	Adjuster Assy. (Incl. Refs. 27, 28, 29, 30, 38 and 39) .....	1
27	9532	Klip Ring .....	2
28	20808	Adjuster, Right Side .....	1
29	20809	Adjuster, Left Side .....	1
30	9059	Spring, Adjuster .....	1
31	9522	Nut, Rectangular .....	1
32	9386	Klip Ring .....	1
33	20831	Rod, Forward Clutch .....	1
34	97083	Clevis Pin .....	1
35	9853	Sems Nut .....	4
36	20806	Bracket, Bail Support .....	2
37	20888	Swivel .....	1
38	9432	Bushing .....	1
39	9973	Washer .....	1
40	1100805	Hex Hd. Screw, 1/4-20 x 3/4* .....	1
41	9811	Nut, 1/4-20 .....	1
42	9552	Hex Flg. Screw, self-tap, 1/4-20 x 1/2*	2
43	20545	Flat Washer, 5/16" .....	1
44	1185147	Cotter Pin .....	1

\* Specify GRADE 5 in ordering part locally

Not For Resale

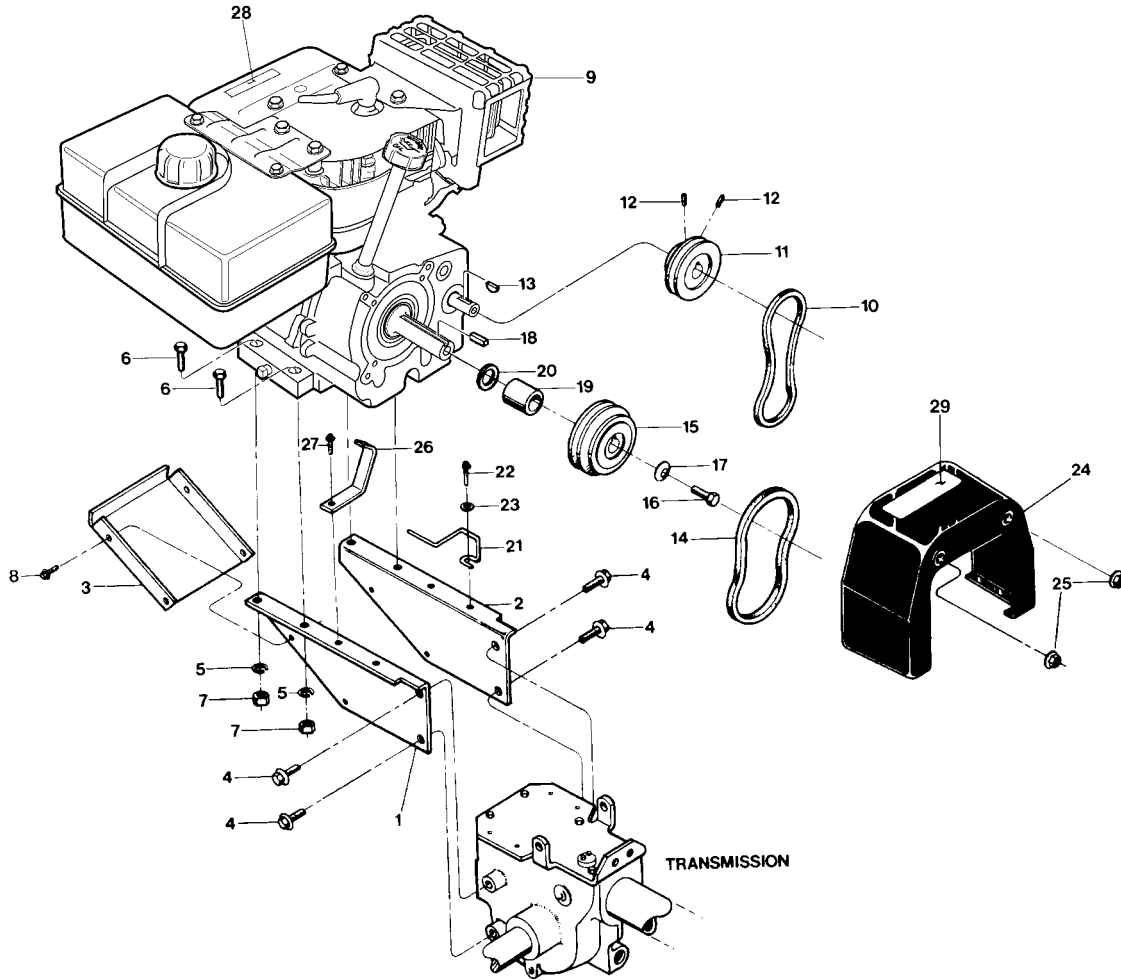
HOOD, BRACKET AND DEPTH REGULATOR



REF. No.	PART No.	DESCRIPTION	QTY.	REF. No.	PART No.	DESCRIPTION	QTY.
1	1917118	Hood, Tine (Incl. Hinged Flap and Refs. 17, 17A & 17B) .....	1	14	1113-1	Bushing (spacer).....	2
2	1100243	Lockwasher, 3/8 .....	2	15	1186231	Hex Nut, 3/8-16.....	2
3	1916184001	Bracket, Hood & Depth Regulator .....	1	16	1916185001	Drag Bar, Depth Regulator .....	1
4	90038	Hex Hd. Flg. Screw, 5/16-18 x 5/8*.....	2	17	1917536	Decal, Operating Instructions.....	1
5	9811	Hex Lock Nut, 1/4-20 .....	1	18	1766984	Hex Hd. Screw, self-tapping, 5/16-18 x 1/2* .....	2
6	1100069	Hex Hd. Screw, 1/4-20 x 1* .....	1	19	9552	Hex Hd. Flg. Screw, self-tapping, 1/4-20 x 1/2* .....	2
7	9384	Spring, Depth Regulator Plunger .....	1	20	1916700001	Support Bracket, Left-Side .....	2
8	9438	Spacer.....	1	21	1916701001	Support Bracket, Right-Side .....	1
9	9308	Roll Pin (spiral), 1/4 x 1 .....	1	22	1186328	Hex Hd. Screw, 5/16-18 x 5/8 .....	6
10	1916186001	Bar Assembly, Depth Adjustment.....	1	23	1186391	Hex Nut, 5/16-18 .....	6
11	9120	Retaining Ring (Tolerance Ring) .....	1				
12	9119	Knob, Depth Regulator (Incl. Ref. 11) ..	1				
13	1100043	Hex Hd. Screw, 3/8-16 x 1-1/4* .....	2				

\* Specify GRADE 5 if ordering part locally.

ENGINE, SUPPORT BRACKETS, PULLEYS, BELTS AND BELT COVER



REF. No.	PART No.	DESCRIPTION	QTY.
1	1916604001	Engine Support Bracket, Left-Side .....	1
2	1916602001	Engine Support Bracket, Right-Side....	1
3	1916189001	Engine Support Bracket (Pan), Front...	1
4	1186329	Hex Hd. Flg. Screw, 5/16-18 x 3/4*.....	4
5	1100242	Lockwasher, 5/16.....	4
6	1100799	Hex Hd. Screw, 5/16-18 x 1-1/2* .....	4
7	1186321	Hex Nut, 5/16-18.....	4
8	1900396	Hex Hd. Screw, Self-Tapping, #10-32 x 1/2, .....	4
9	**	Engine .....	1
10	9022	Flat Belt, Reverse Drive .....	1
11	2477	Reverse Pulley (Engine Driven).....	1
12	9561	Socket Hd. Set Screw, 1/4-20 x 1/4* ..	2
13	9361	Woodruff Key, (Size #5) .....	1
14	1909404	V-Belt, Forward Drive .....	1
15	2476	Forward Pulley (Engine Driven).....	1
16	1100004	Hex Hd. Screw, 5/16-24 x 3/4* .....	1

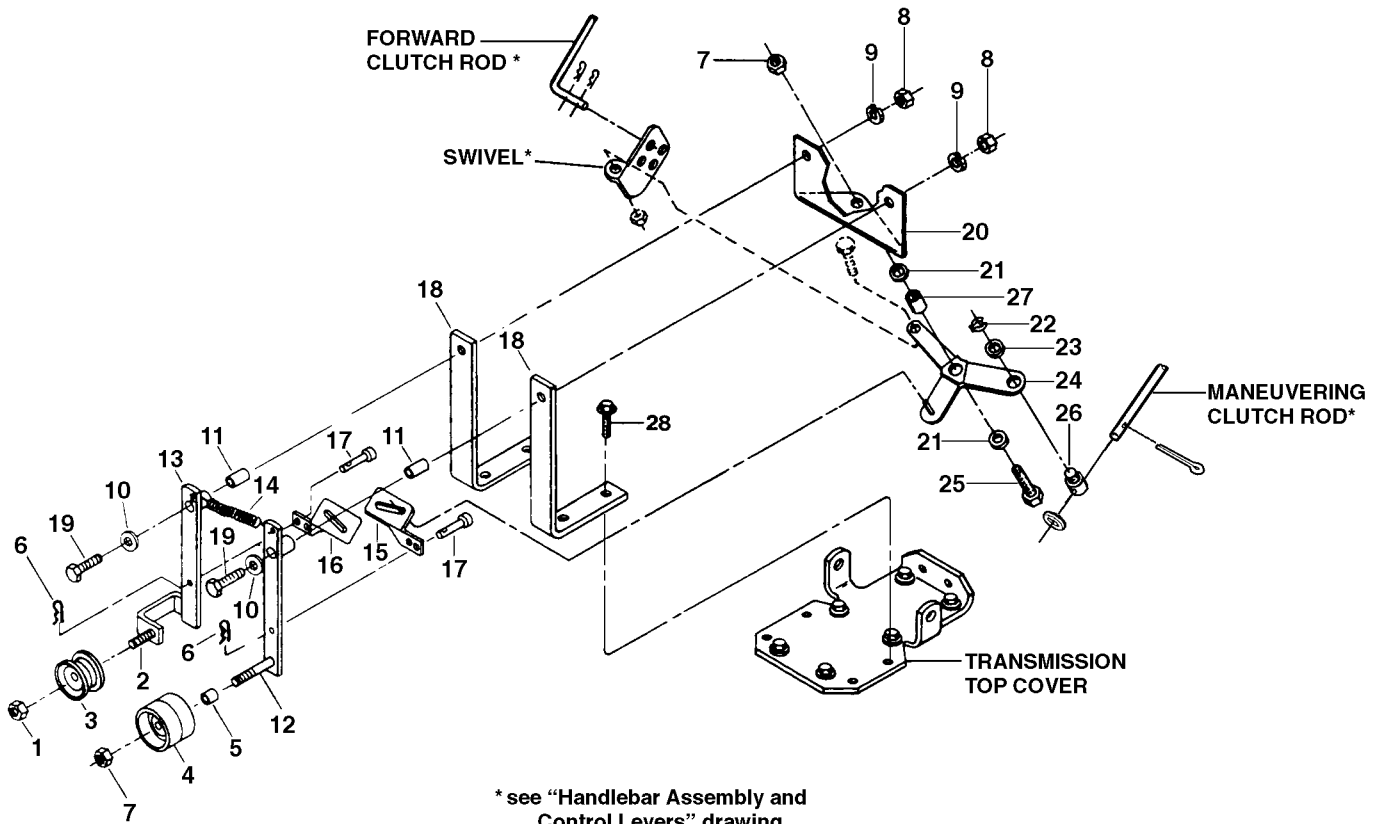
REF. No.	PART No.	DESCRIPTION	QTY.
17	9944	Washer, Disc Spring (concave surface faces forward pulley) .....	1
18	9301	Key, 3/16 sq. x 1 .....	1
19	50141	Spacer .....	1
20	1138-2	Shim .....	A/R
21	1916190001	Forward Belt Guide.....	1
22	9573	Hex Hd. Screw, Self-Tapping, 1/4-20 x 3/4* .....	1
23	9900	Flat Washer, (Plain), 1/4, S.A.E. ....	1
24	1904569	Cover (Incl. Ref. 29).....	1
25	1186391	Whiz Lock Nut, 5/16-18, .....	2
26	1916191001	Reverse Belt Guide.....	1
27	9552	Hex Hd. Flg. Screw, self-tapping, 1/4-20 x 1/2* .....	1
28	1900766	Decal, Stabilization.....	1
29	1904557	Decal, Hot Surfaces/Belt Warning .....	1

\* Specify GRADE 5 if ordering part locally.

A/R – As Required

\*\* Contact the factory or an authorized dealer for replacement engine information. See an authorized engine service dealer for engine parts or service. Refer to engine nameplate for engine type and code.

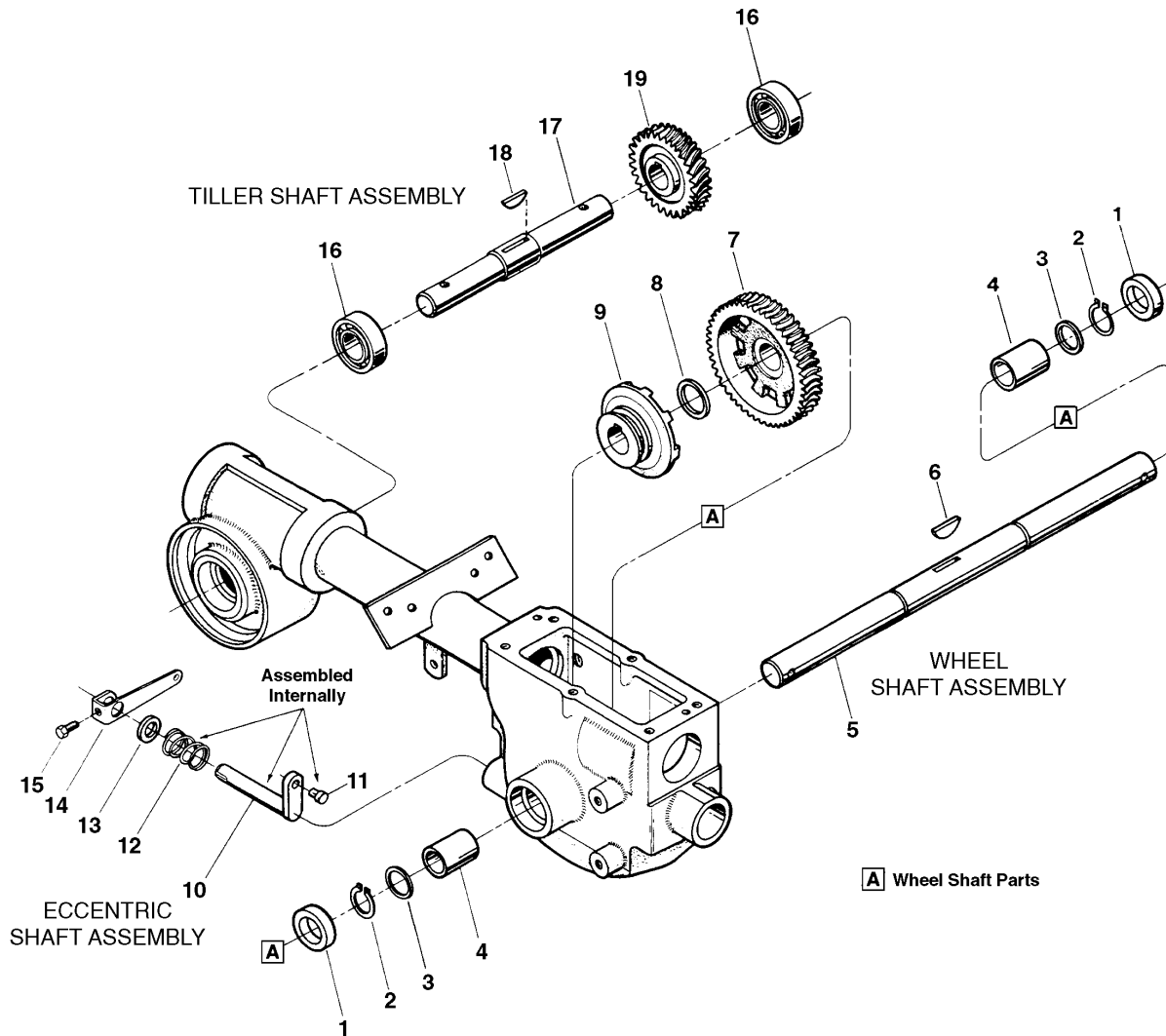
FORWARD/REVERSE IDLER ASSEMBLY



REF. No.	PART No.	DESCRIPTION	QTY.	REF. No.	PART No.	DESCRIPTION	QTY.
1	1185506	Hex Lock Nut, 3/8-16 .....	1	15	20517-01	Forward Link .....	1
2	1110043	Hex Hd. Screw, 3/8-16 x 1-1/4** .....	1	16	20517-02	Reverse Link .....	1
3	1909266	Idler Pulley, Reverse Direction .....	1	17	9340	Pin .....	2
4	9193	Idler Pulley, Forward Direction .....	1	18	1916194001	Mounting Bar .....	2
5	1113-1	Spacer .....	1	19	1111607	Hex Hd. Screw, 5/16-18 x 2-1/4** .....	2
6	9338	Hairpin Cotter .....	2	20	1916195001	Shifting Base .....	1
7	1110108	Locknut-hex, 3/8-16 .....	2	21	20553	Spacer (Bushing) .....	2
8	1186230	Hex Lock Nut, 5/16-18 .....	2	22	9532	Klip Ring .....	1
9	1100242	Lockwasher-5/16 .....	2	23	20546	Washer, Pivot .....	1
10	20545	Plain Washer, 5/16 .....	2	24	1916196001	Bellcrank .....	1
11	9479	Pivot Bushing .....	2	25	1100043	Hex Hd. Screw, 3/8-16 x 1-1/4** .....	1
12	1916192001	Forward Idler Arm, Left-Side .....	1	26	1916897	Pivot (for Reverse Clutch Lever) .....	1
13	1909682001	Reverse Idler Arm, Right-Side .....	1	27	20532	Bushing, Bellcrank .....	1
14	1492	Spring .....	1	28	1186331	Hex Hd. Flg. Screw, 5/16-18 x 1* .....	4

\*\* Specify GRADE 5 if ordering part locally.

WHEEL SHAFT, ECCENTRIC SHAFT AND TILLER SHAFT ASSEMBLIES



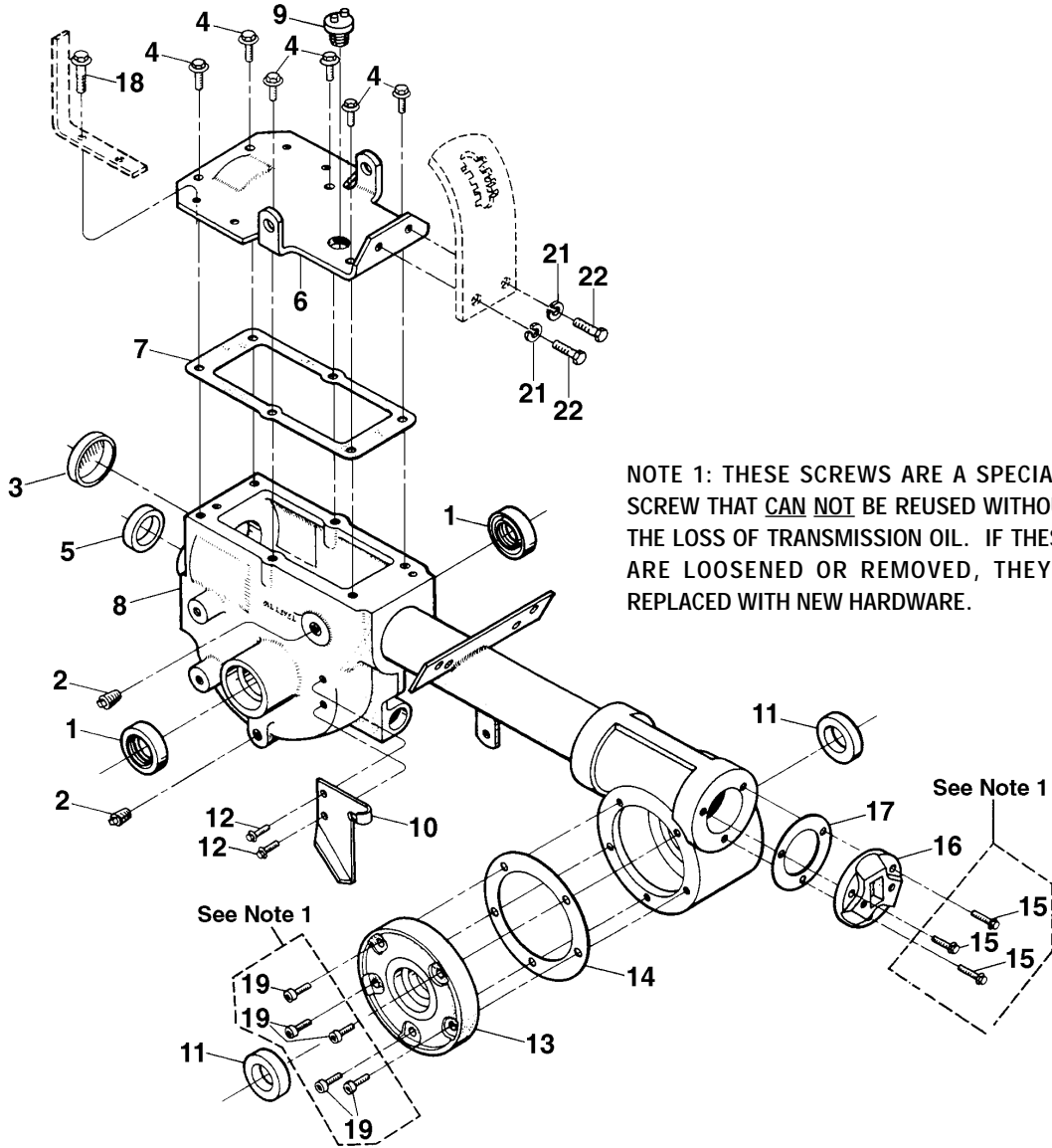
REF. No.	PART No.	DESCRIPTION	QTY.
1	9621	Oil Seal, Wheel Shaft .....	2
2	9511	Retaining Ring, External, Heavy-Duty	2
3	1166-1	Shim, 1-1/64 I.D., .062 thick .....	A/R
---	1166-2	Shim, same as above, but .030 thick.	A/R
---	1166-3	Shim, same as above, but .015 thick.	A/R
---	1166-4	Shim, same as above, but .010 thick.	A/R
4	1086	Bushing .....	2
5	1916711	Wheel Shaft (axle) .....	1
6	9373	Hi-Pro Key, 1/4 x 1-5/16 .....	1
7	20914	Gear, Wheel Drive Worm .....	1
8	9935	Shim, 1.016 I.D. x 1.468 O.D. x .062 thick) .....	1

REF. No.	PART No.	DESCRIPTION	QTY.
9	20712	Clutch, Wheel Drive .....	1
10	20699	Eccentric Shaft .....	1
11	1442	Pin, Eccentric Shaft .....	1
12	9055	Spring .....	1
13	9622	Oil Seal, Eccentric Shaft .....	1
14	20757	Eccentric Shaft Lever .....	1
15	1100804	Hex Hd. Screw, 1/4-20 x 1/2* .....	1
16	97074	Ball Bearing .....	2
17	1916709	Tiller Shaft .....	1
18	1104	Woodruff Key 1/4 x 1-1/4 .....	1
19	1904279	Tiller Drive Worm Gear (bronze) .....	1

\* Specify GRADE 5 if ordering part locally.

A/R – As Required

TRANSMISSION HOUSING, COVERS, SEALS, GASKETS AND PLUGS



NOTE 1: THESE SCREWS ARE A SPECIAL SEALING SCREW THAT **CAN NOT** BE REUSED WITHOUT RISKING THE LOSS OF TRANSMISSION OIL. IF THESE SCREWS ARE LOOSENED OR REMOVED, THEY MUST BE REPLACED WITH NEW HARDWARE.

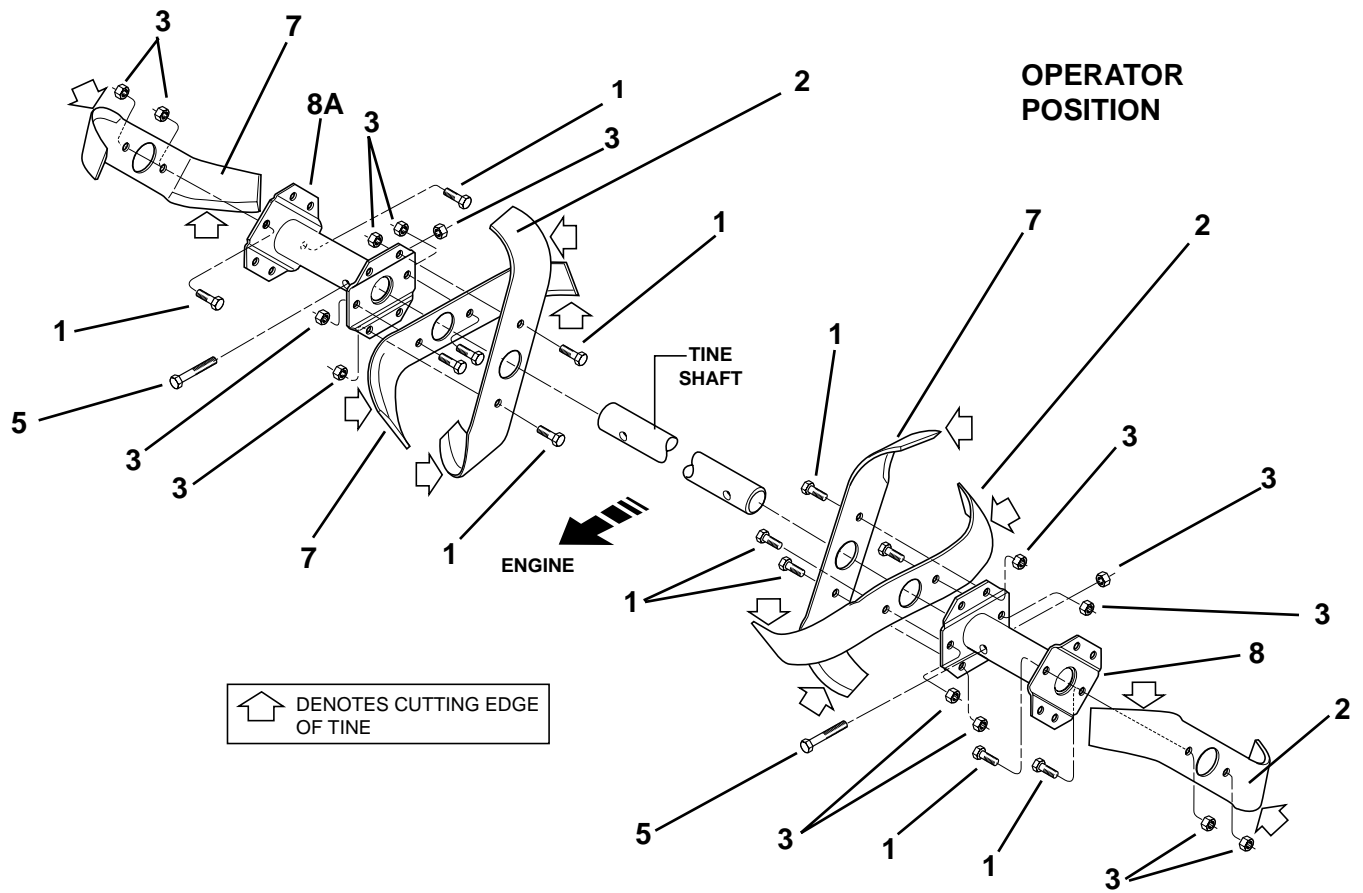
REF. No.	PART No.	DESCRIPTION	QTY.
1	9621	Oil Seal, Wheel Shaft (double lip).....	2
2	9726	Pipe Plug, 1/4 .....	2
3	97076	Seal, Transmission Bore.....	1
4	1186329	Hex Hd. Flg. Screw, 5/16-18 x 3/4* .....	6
5	85030	Oil Seal, Input Pinion Shaft .....	1
6	1916193001	Cover, Transmission.....	1
7	20694	Gasket, Transmission Cover.....	1
8	20893	Transmission Case, Tube and Rear Housing Assembly .....	1
9	9467	Plug .....	1
10	1917101001	Plate, Wheel Drive Cable Mounting .....	1
11	97073	Oil Seal, Tiller Shaft.....	2
12	90038	Hex Hd. Flg. Screw, 5/16-18 x 5/8* .....	2

REF. No.	PART No.	DESCRIPTION	QTY.
13	1916199001	Cover, Tiller Housing (left-side).....	1
14	1129-1	Gasket, Tiller Housing Cover, .010 (fits all covers) .....	A/R
15	1915089	Screw Kit (Incl. three 1/4-20 x 7/8" self-sealing screws) .....	A/R
16	1900881001	Rear Bearing Cap .....	1
17	1124-2	Gasket, .010 .....	1
18	1186331	Hex Hd. Flg. Screw, 5/16-18 x 1* .....	4
19	1915087	Screw Kit (Incl. five 1/4-20 x 5/8 self-sealing screws) .....	A/R
21	1100243	Lockwasher, 3/8 .....	2
22	1100068	Hex Hd. Screw, 3/8-16 x 3/4* .....	2

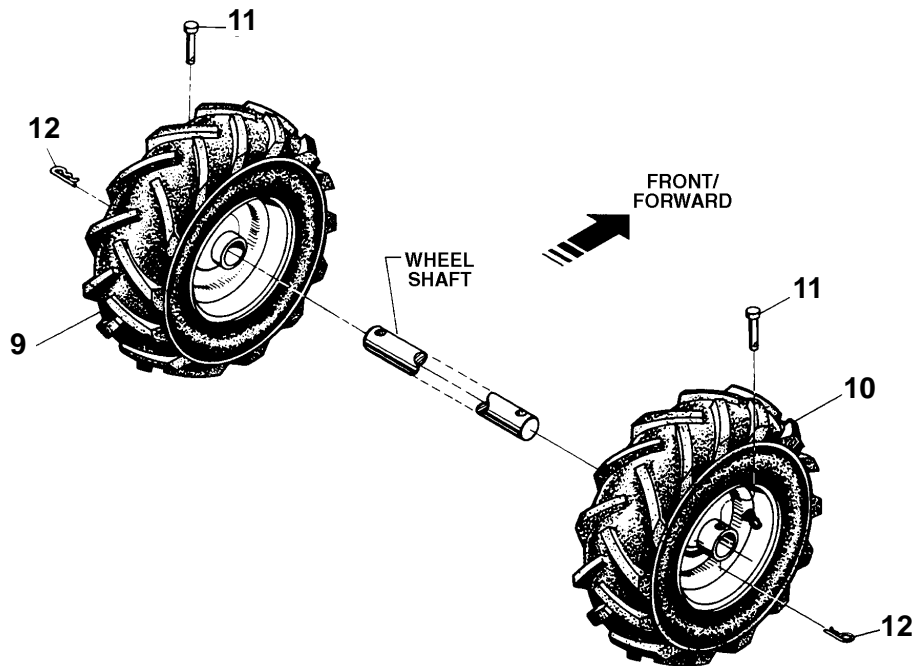
\* Specify GRADE 5 if ordering part locally.

A/R – As Required

TINES



WHEELS



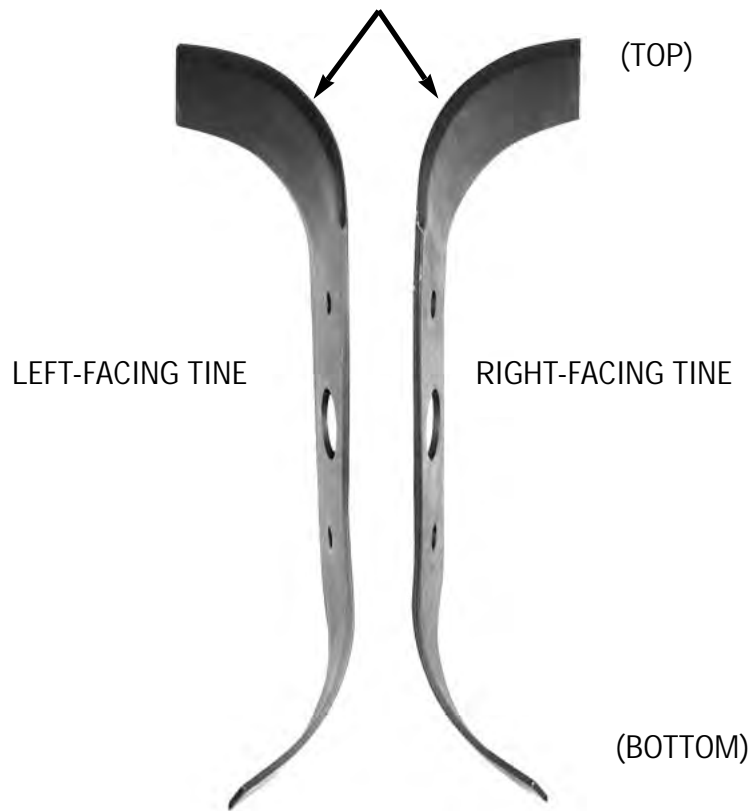


TINES, WHEELS

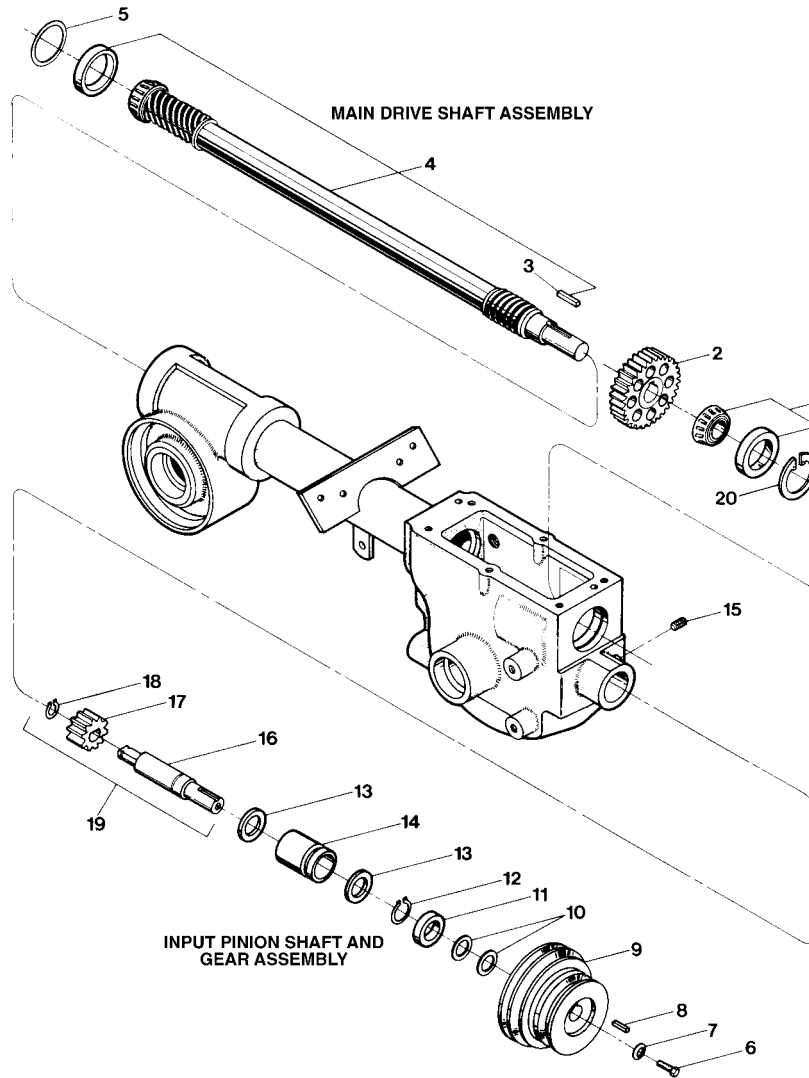
REF. No.	PART No.	DESCRIPTION	QTY.	REF. No.	PART No.	DESCRIPTION	QTY.
1	1100068	Hex Hd. Screw, 3/8-16 x 3/4* .....	12	9	1915056	Wheel & Tire Assy., left-side .....	1
2	1985101	Tine – twin-edged, right-facing .....	3	10	1915057	Wheel & Tire Assy., right-side.....	1
3	1110108	Hex Lock Nut, 3/8-16 .....	14	11	9380	Clevis Pin, .312 x 1-3/4 long .....	2
5	1982612	Hex Hd. Screw, 3/8-16 x 2, Grade 8....	2	12	9338	Hitch Pin .....	2
7	1985100	Tine – twin-edged, left-facing.....	3				
8	1916693001	Tine Holder, left-side .....	1				
8A	1916694001	Tine Holder, right-side.....	1				

**IMPORTANT:** LEFT AND RIGHT SIDES OF TILLER ARE DETERMINED BY STANDING IN THE OPERATOR POSITION (BEHIND THE HOOD) AND FACING THE DIRECTION OF FORWARD TRAVEL.

MOUNT TINES SO THE CUTTING EDGE AT THE TOP OF EACH TINE FACES THE OPERATOR



DRIVE SHAFT, INPUT PINION SHAFT AND GEAR ASSEMBLIES



REF. No.	PART No.	DESCRIPTION	QTY.
1	1714	Bearing, Tapered Roller (with race) ...	1
2	20718	Spur Gear, Main Drive Shaft .....	1
3	9301	Key, 3/16 sq. x 1 .....	1
4	1916765	Main Drive Shaft – One-piece with single-lead worm at front and six-lead worm at rear (also includes pressed-on #1714 rear roller bearing, race for bearing & #9301 key) .....	1
5	1224-1	Shim, Rear Bearing Cap, .010 thick (see Note 1 below) .....	A/R
5	1224-2	Shim, same as above, but .030 thick (see Note 1) .....	A/R
5	1224-3	Shim, same as above, but .005 thick (see Note 1) .....	A/R
...	1325C	Shim Set (Incl. the following shims: two 1224-1; two 1224-2; one #1224-3) .....	A/R
6	1100004	Hex Hd. Screw, 5/16-24 x 3/4* .....	1

REF. No.	PART No.	DESCRIPTION	QTY.
7	9944	Washer, Disc Spring (concave surface faces pulley) .....	1
8	9301	Key, 3/16 sq. x 1 .....	1
9	20507	Pulley, Transmission Drive .....	1
10	1440	Support Washer .....	2
11	85030	Oil Seal (front), Input Pinion Shaft ...	1
12	9500	Retaining Ring (snap ring), External..	1
13	9953	Thrust Washer .....	2
14	9428	Bushing .....	1
15	9677	Set Screw, 5/16-18 x 3/8* .....	1
16	20791	Input Pinion Shaft .....	1
17	20792	Gear, Input Pinion .....	1
18	9093	Retaining Ring (snap ring), External..	1
19	20799	Pinion Assy. (Incl. one each of Refs. 16, 17 and 18) .....	A/R
20	9517	Retaining Ring (snap ring), Internal ..	1
21	94018	Sheave Shoulder Washer .....	1

\* Specify GRADE 5 if ordering part locally.

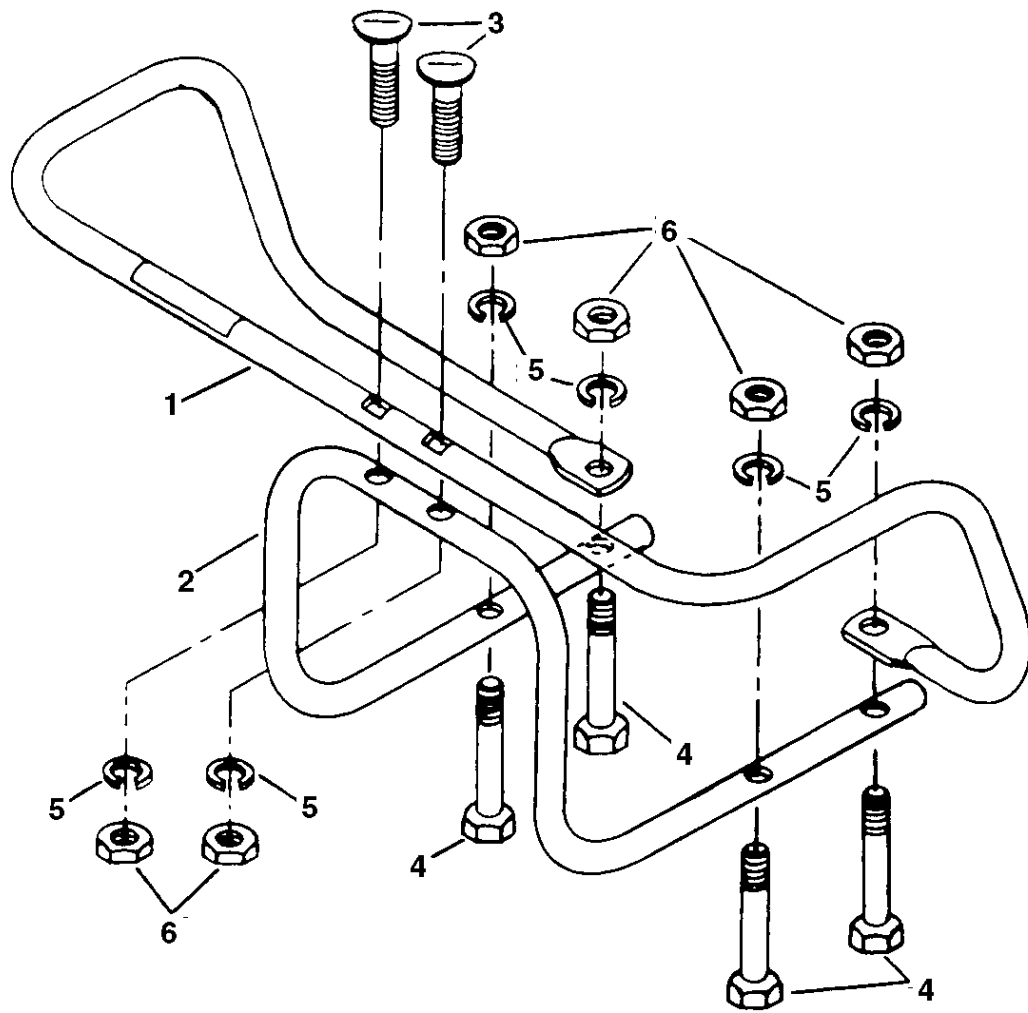
NOTE 1 – Shim between drive shaft rear bearing and rear bearing cap to achieve 5- to 10 thousandths of an inch (.005-.010) end play on drive shaft.

A/R - As Required

Not For Resale

www.SmallEngineDiscount.com

BUMPER ASSEMBLY



REF. No.	PART No.	DESCRIPTION	QTY.
1	1916714001	Bumper, Top Section .....	1
2	1904758001	Bumper, Bottom Section .....	1
3	1731025	Curved Hd. Screw, 5/16-18 x 2 (special Screw); also see #1915811 hardware kit.....	2
4	1111608	Hex Hd. Screw, 5/16-18 x 2-1/2*, Not Avail. Separately (order #1915811 hardware kit) .....	4
5	1100242	Lockwasher, 5/16, Not Avail. Separately (order #1915811 hardware kit) .....	6

REF. No.	PART No.	DESCRIPTION	QTY.
6	1186230	Hex Nut, 5/16-18, Not Avail. Separately (order #1915811 hardware kit) .....	6
---	1915811	Hardware Kit: Incl. two #1731025 curved-head screws; four #1111608 hex hd. screws; six #1100242 lockwashers; six #1186230 hex nuts ...	1

# Parts Ordering Information

---

## If you need service or parts:

For service assistance or parts, contact your local authorized dealer or the factory.

Your local dealer or service department will need to know the model/serial numbers of the unit to provide the most efficient service. See below for information on how to identify and record the identification numbers for the unit.

## If you need engine service or parts:

For engine service or parts, contact your local authorized engine dealer. Look in the yellow pages of the phone book under "Engines-Gasoline" for the name of your nearest authorized engine dealer. An authorized engine dealer can handle all parts, repairs, and warranty service concerning the engine.

### Note:

All replacement parts must conform to our rigid quality specifications. Although some replacement parts we provide may vary slightly in shape, color or texture from the original parts, any variations will not affect the fit or performance of these parts on your unit.



## WARNING

We urge using only genuine replacement parts which meet all the latest requirements. Replacement parts manufactured by others could present safety hazards, even though they may fit on the unit!

## IMPORTANT:

Left and right sides of the unit are determined by standing behind the unit, in the operator's position, and facing in the direction of forward travel.

## NOTICE:

We reserve the right to change specifications, add improvements or discontinue the manufacture of any of our equipment without notice or obligation to purchasers of our equipment.

# Identification Numbers

---

## Record the Model/Serial Numbers here:

When ordering parts from us or your local servicing dealer, you will need to provide the unit's model/serial number. For your convenience and ready reference, record this information below.

Product Model/Serial Number \_\_\_\_\_

Engine Model/ Serial Spec. Numbers \_\_\_\_\_

Date of Purchase \_\_\_\_\_

Name of Dealer \_\_\_\_\_

*For customer assistance, contact your nearest authorized dealer or:*

**GARDEN WAY INCORPORATED** • 1 Garden Way • Troy, New York 12180  
Customer Service: 1-800-437-8686 • Technical Service: 1-800-520-5520 • Parts Service: 1-800-648-6776  
• FAX: (518) 391-7332 • WEBSITE: [www.troybilt.com](http://www.troybilt.com)

Outside the United States and Canada:  
Customer Service: (518) 391-7007 • Technical Service: (518) 391-7008 • Parts Service: (518) 391-7006 • FAX (518) 391-7332