



**Industrial
Engines**

**Robin Engine
EC 08GH**

EC08GH0343

PARTS LIST

Rammer

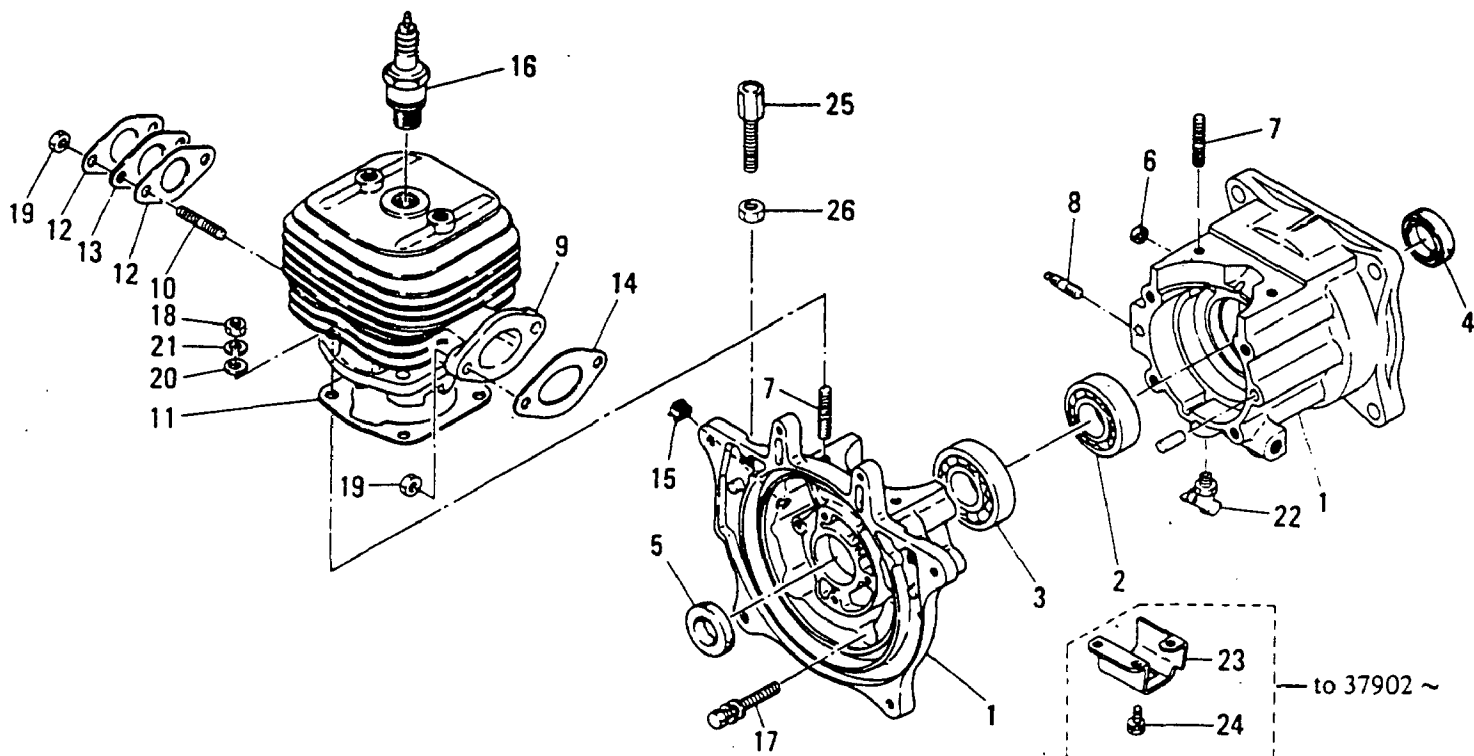
MODEL

MTR-60L

Robin America, Inc.

940 Lively Blvd., Wood Dale, IL 60191 • Tel: (630) 350-8200 • Fax: (630) 350-8212

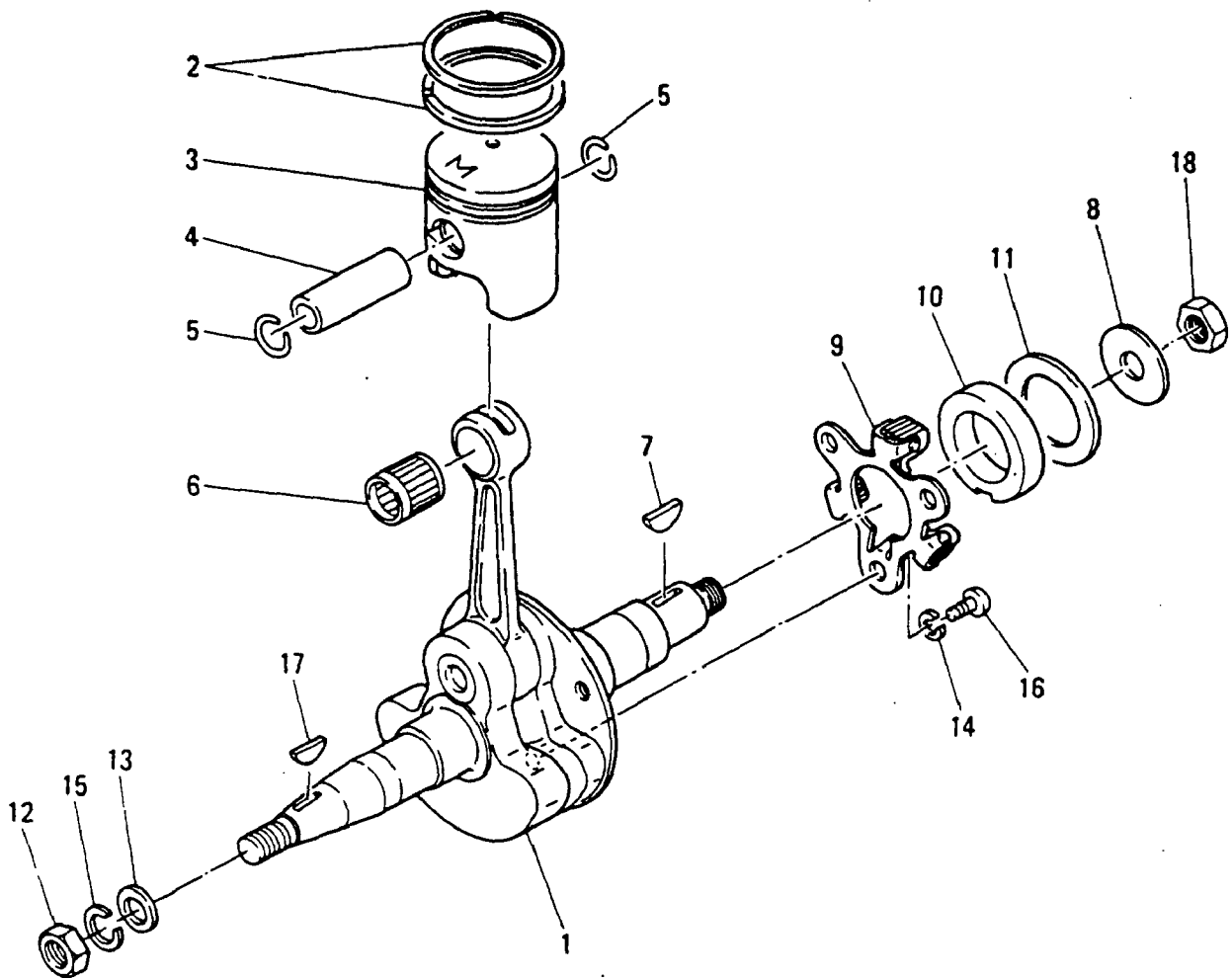
(ROBIN EC08G ENGINE)
1. CRANK CASE AND CYLINDER



REF. NO.	PART NO.	PART NAME	Q'TY	MRK	REMARKS
1	580-10180-00	CRANKCASE CP MIKASA	1		INC.2, 3, 5-9
2	060-02000-10	BALL BEARING 6004C3	1		
3	060-02000-20	BALL BEARING 6204C3	1		
4	044-02000-20	OIL SEAL	1		
5	044-01799-30	OIL SEAL	1		
6	044-00600-10	OIL SEAL .	1		
7	010-50649-70	STUD	4		
8	010-50600-50	STUD	1		
9	580-10280-00	CYLINDER CP	1		INC.11
10	010-50649-70	STUD	2		
11	580-15018-00	GASKET,CYLINDER	1		
12	106-35001-03	GASKET (INSULATOR)	2		
13	129-32901-03	INSULATOR	1		
14	129-35004-03	GASKET (MUFFLER)	1		
15	024-10299-90	GROMMET	1		
16	065-01400-31	SPARK PLUG B6HS	1		
16	065-01401-50	SPARK PLUG	1		RADIO INTERFERENCE
17	001-14064-50	BOLT ASS'Y	4		
18	002-18060-00	NUT	4		
19	017-00699-60	U NUT	4		
20	003-10060-00	WASHER	4		
21	003-20060-00	SPRING WASHER	4		
22	064-30001-00	DRAIN COCK	1		
23	580-95016-00	PROTECTOR	1		37902-
24	001-13081-60	BOLT AND WASHER ASS'Y	3		37902-
25	014-90600-40	ADJUSTING SCREW	1		
26	002-27060-00	NUT	1		

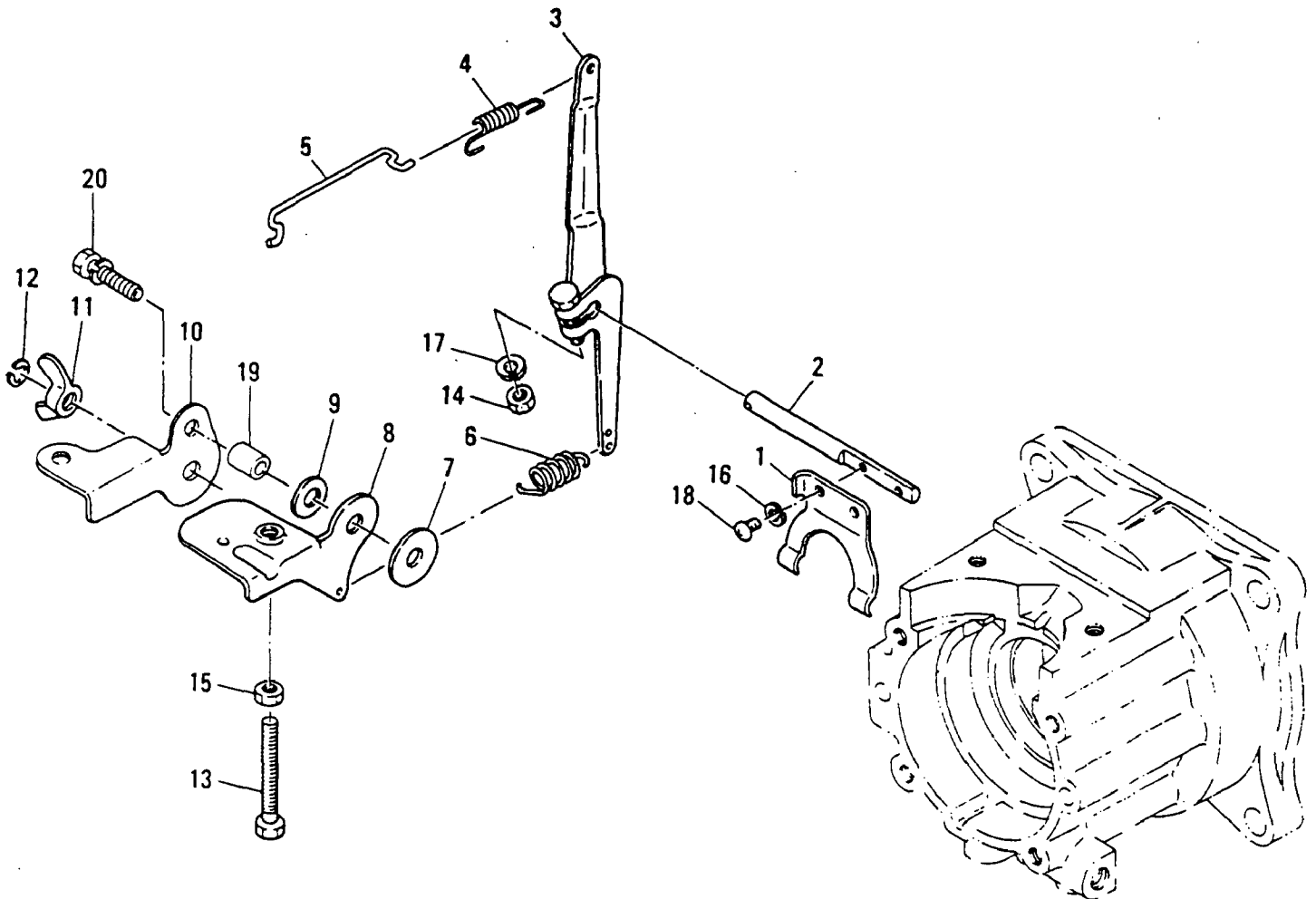
2. CRANK SHAFT AND PISTON

8FG



REF. NO.	PART NO.	PART NAME	Q'TY	MRK	REMARKS
1	580-20080-00	CRANKSHAFT AY MIKASA	1		15D
1	580-20160-01	CRANKSHAFT CP	1	XX	17D 49118-
1	580-20250-00	CRANKSHAFT AY G	1	OX	62991-
2	500-00081-00	PISTON RING SET	1		
3	580-25006-00	PISTON	1		
4	580-25007-00	PISTON PIN	1		
5	056-51199-90	CLIP	2		
6	061-01200-10	NEEDLE BEARING	1		
7	005-32042-01	WOODRUFF KEY	1		
8	020-00800-30	WASHER	1		
9	129-41703-22	GOVERNOR PLATE UNIT	1		
10	551-45001-00	GOVERNOR SLEEVE	1		
11	129-25001-03	SPACER			0-4
12	002-18100-00	NUT	1		
13	003-10100-00	WASHER	1		
14	003-20050-00	SPRING WASHER	3		
5	003-20100-00	SPRING WASHER	1		
16	004-31050-80	SCREW (PAN HEAD)	3		
17	005-32042-00	WOODRUFF KEY	1		
18	017-31200-10	ROCK NUT	1		

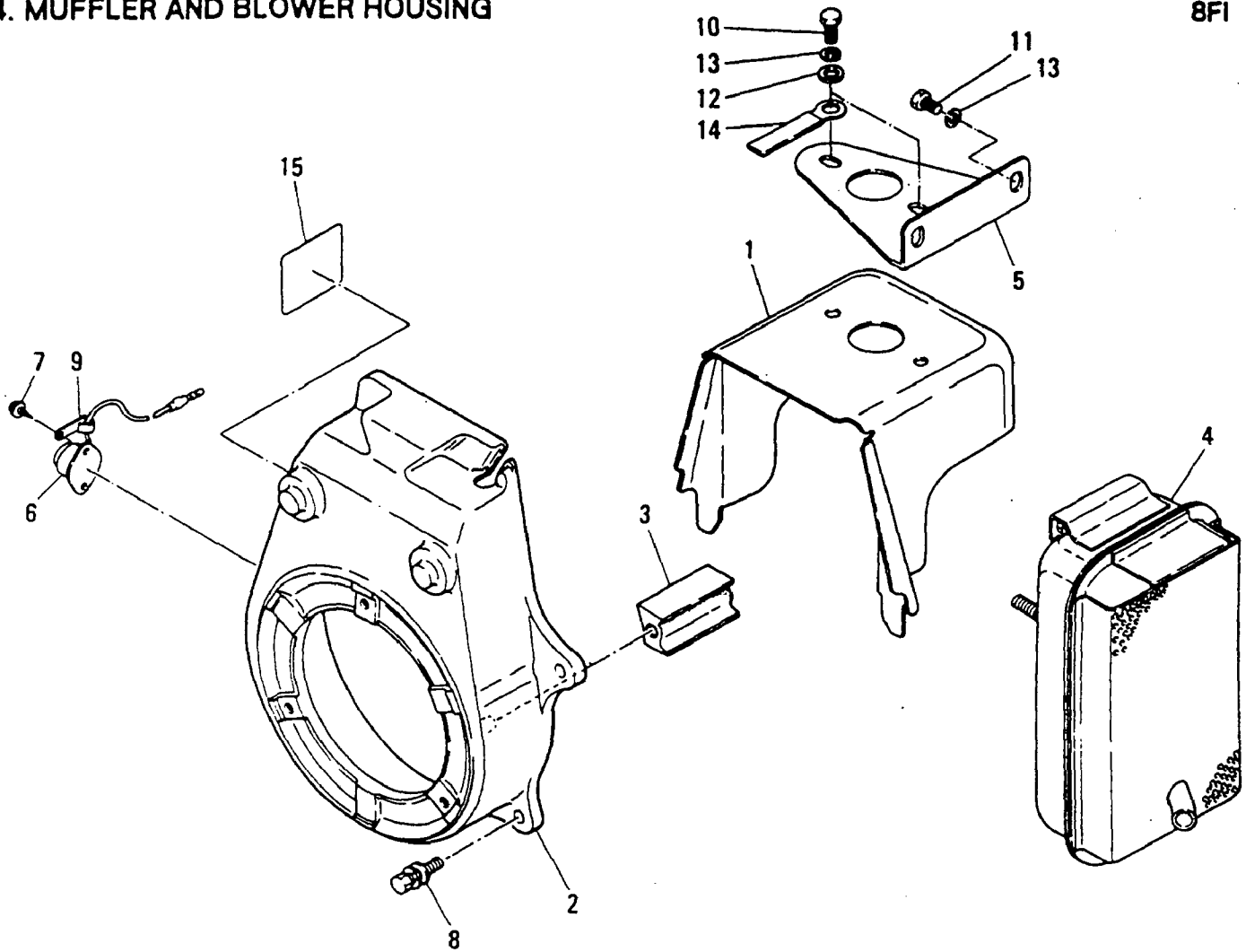
3. GOVERNOR



REF. NO.	PART NO.	PART NAME	Q'TY	MRK	REMARKS
1	129-42101-13	GOVERNOR YOKE	1		
2	129-42201-03	GOVERNOR SHAFT	1		
3	129-42301-11	GOVERNOR LEVER COMPL	1		
4	106-42801-11	ROD SPRING	1		
5	105-42701-11	GOVERNOR ROD	1		
6	129-42501-11	GOVERNOR SPRING	1		
7	021-70600-20	FRICTION WASHER	1		
8	551-45000-00	GOVERNOR LEVER	1		
9	020-00700-10	WASHER	1		
10	580-45006-00	STOP PLATE	1		
11	017-80600-10	WING NUT	1		
12	129-45001-03	CLIP	1		
13	001-65064-00	BOLT	1		
14	002-17060-00	NUT	1		
15	002-27060-00	NUT	1		
16	003-20030-00	SPRING WASHER	2		
17	003-20060-00	SPRING WASHER	1		
18	004-31030-50	SCREW (PAN HEAD)	2		
19	023-00600-90	SPACER	1		
20	001-11061-60	BOLT ASSY	1		

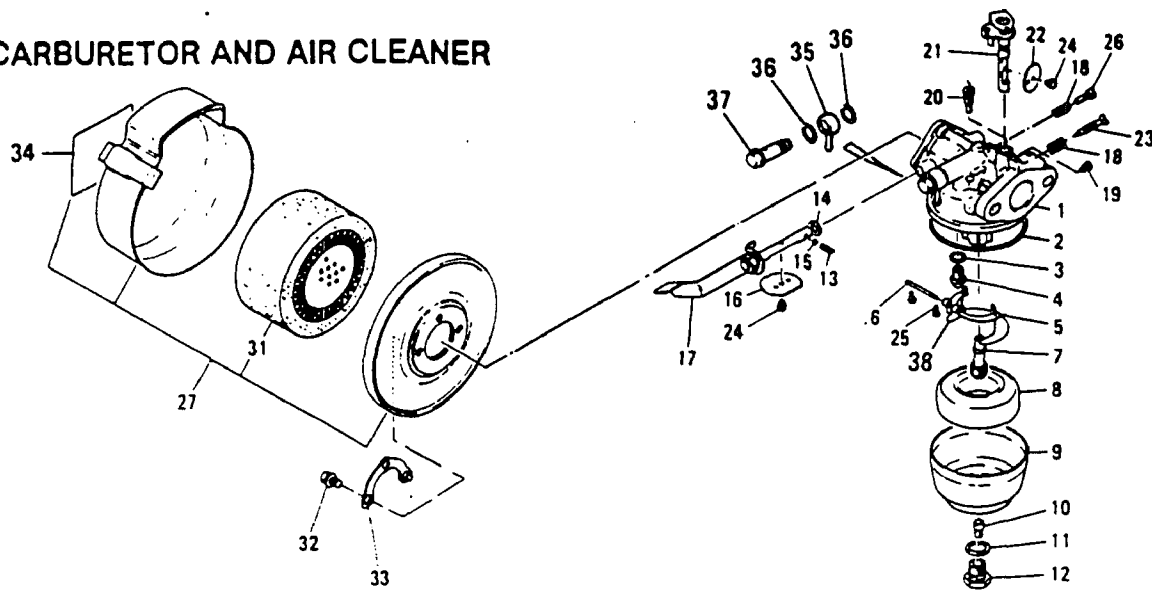
4. MUFFLER AND BLOWER HOUSING

8FI



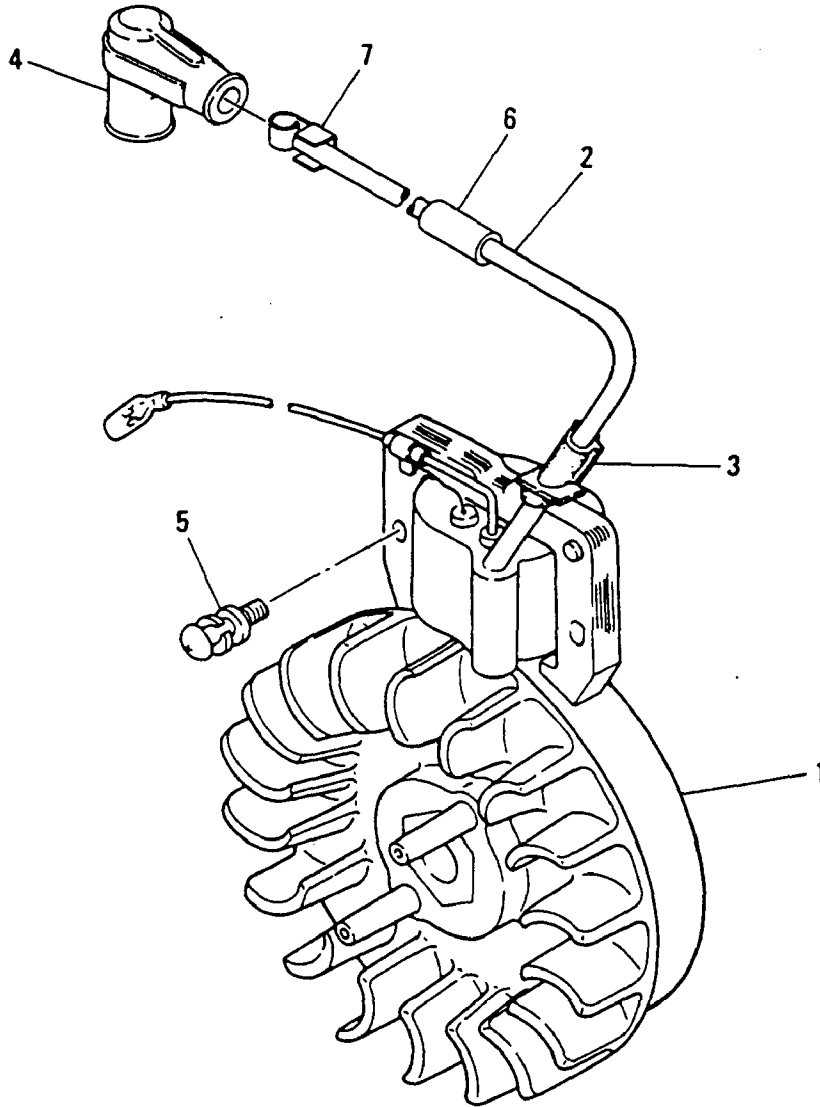
REF. NO.	PART NO.	PART NAME	Q'TY	MRK	REMARKS
1	551-55010-00	CYLINDER COVER	1		
2	580-55001-00	B HOUSING CP	1		
3	551-55002-00	GUIDE RUBBER	1		
4	580-30040-00	MUFFLER CP	1		
5	580-35006-00	MUFFLER BRACKET	1		
6	066-20098-30	STOP BUTTON COMPL	1		
7	004-35040-60	SCREW	2		
8	001-11062-00	BOLT ASS'Y	4		
9	056-60300-10	CLAMP	1		
10	001-67062-00	BOLT (CYLINDER)	2		
11	001-67061-60	BOLT (MUFFLER)	2		
12	003-12060-00	WASHER	2		
13	003-20060-00	SPRING WASHER	4		
14	056-60999-50	CLAMP	1		
15	500-08911-70	LABEL (CAUTION)	1		

5. CARBURETOR AND AIR CLEANER



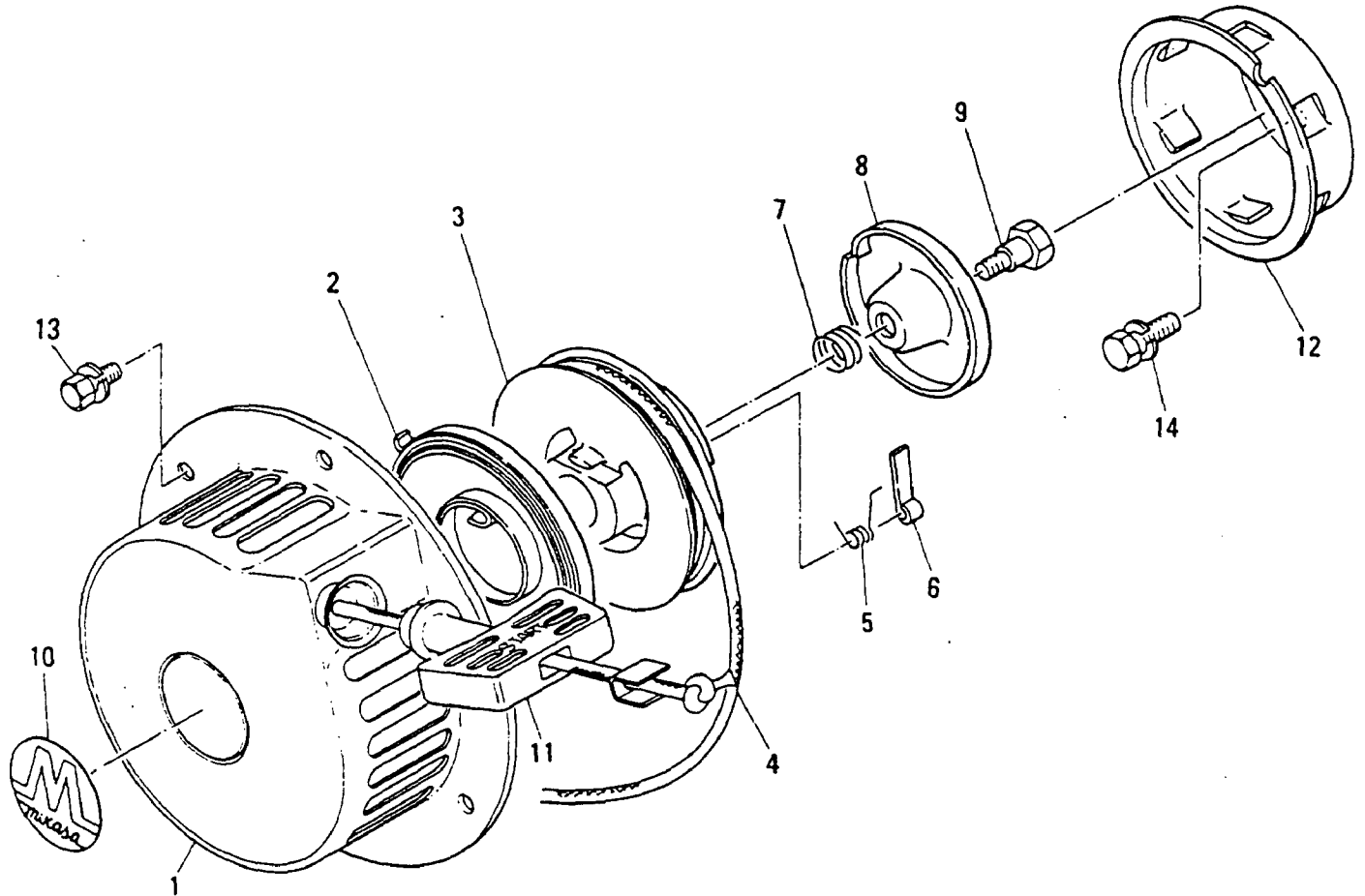
REF. NO.	PART NO.	PART NAME	Q'TY	MRK	REMARKS
1	580-60620-02	CARBURETOR AY EC08G	1		INC. 2-26, 38
2	106-62547-08	PACKING, CHAMBER	1		
3	106-62381-08	PACKING	1		
4	106-62503-08	NEEDLE VALVE	1		
5	106-62511-08	FLOAT ARM	1		
6	106-62516-08	PIN, FLOAT	1		
7	106-62450-08	NOZZLE	1		
8	106-62508-08	FLOAT	1		
9	106-62389-08	FLOAT CHAMBER BODY	1		
10	129-62400-08	REVERSE MAIN JET	1		
11	206-62431-08	PACKING	1		
12	206-62350-08	BOLT	1		
13	209-62446-08	SPRING	1		
14	106-62392-18	SEAL	1		
15	209-62353-08	STEEL BALL	1		
16	106-62527-08	VALVE (CHOKE)	1		
17	580-60622-10	SHAFT AY, CHOKE	1		
18	206-62446-08	SPRING	2		
19	106-62357-08	GUIDE SCREW	1		
20	128-62420-08	PILOT JET	1		
21	128-62530-08	SHAFT ASS'Y (THROTTLE)	1		
22	226-62535-08	THROTTLE VALVE	1		
23	106-62436-08	PILOT SCREW	1		
24	209-62351-08	SPRING WASHER CROSS SCREW	2		
25	130-62358-08	SCREW	2		
26	106-62358-08	SCREW	1		
27	580-30190-00	AIR CLEANER AY	1		INC. 31
31	106-32602-07	ELEMENT SET, F/ROUND TYPE	1		
32	001-10051-00	BOLT ASS'Y	3		
33	106-35201-01	LOCK WASHER	1		
34	073-63699-80	LABEL	1		
35	580-60624-30	BANJO	1		
36	580-60622-50	WASHER	2		
37	580-60624-40	BANJO BOLT	1		
38	580-60624-50	CLIP	1		

6. MAGNETO



REF. NO.	PART NO.	PART NAME	Q'TY	MRK	REMARKS
1	580-70020-00	MAGNETO CP CDI-D	1		15D
1	580-70050-01	MAGNETO CP	1	XX	17D 49118-
2	580-70020-20	IGNITION COIL	1		
3	024-10699-80	GROMMET	1		
4	065-50001-40	SPARK PLUG CAP	1		
5	004-36052-50	BOLT AND WASHER ASS'Y	2		
6	085-10299-60	VINYL PIPE	1		
7	065-90000-10	PLUG TERMINAL	1		

7. RECOIL STARTER



REF. NO.	PART NO.	PART NAME	Q'TY	MRK	REMARKS
1	580-50110-00	RECOIL STARTER CP	1		INC.2-12
2	580-50040-20	SPIRAL SPRING	1		
3	580-50040-30	REEL	1		
4	580-50010-20	STARTER ROPE	1		
5	580-50040-50	RETURN SPRING	1		
6	580-50040-40	RATCHET	1		
7	580-50041-10	FRICITION SPRING	1		
8	580-50041-20	FRICITION PLATE	1		
9	580-50040-60	CENTER SCREW	1		
10	206-91701-03	LABEL, MIKASA MARK	1		
11	580-50010-30	STARTER HANDLE	1		
12	580-50041-40	STARTER PULLEY	1		
13	001-10061-00	BOLT AND WASHER ASS'Y	3		
14	001-10061-40	BOLT ASS'Y	2		