


SERVICE PARTS

Order replacement parts for your Wisconsin Robin engine from the RYAN dealer in your area.

**The MODEL, SPECIFICATION and SERIAL NUMBERS
of engine MUST BE GIVEN WHEN ORDERING PARTS.**

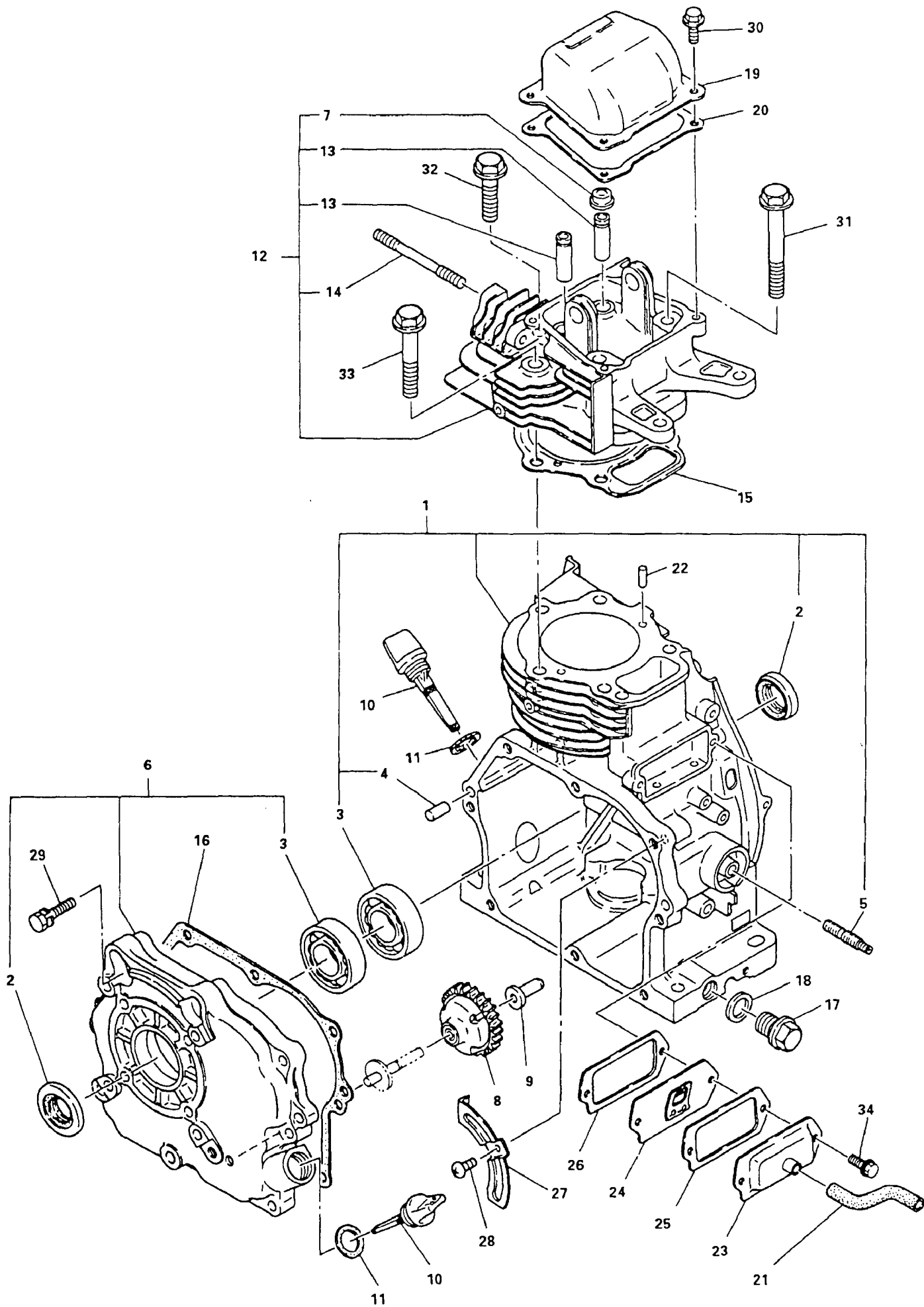
The Model and Specification number are shown on the name plate located on flywheel shroud. The Serial number is stamped on the crankcase base.

COPY THE MODEL, SPECIFICATION NUMBER AND SERIAL NUMBER IN THE SPACES PROVIDED BELOW SO THAT IT WILL BE AVAILABLE TO YOU WHEN ORDERING PARTS.

| | | |
|---|----------------------------|----------|
|  | WISCONSIN ROBIN | |
| MODEL | AIR COOLED ENGINE | SPEC NO. |
| WO1-210 | 90013 | |

| | |
|------------|----------------------|
| SERIAL NO. | <input type="text"/> |
|------------|----------------------|

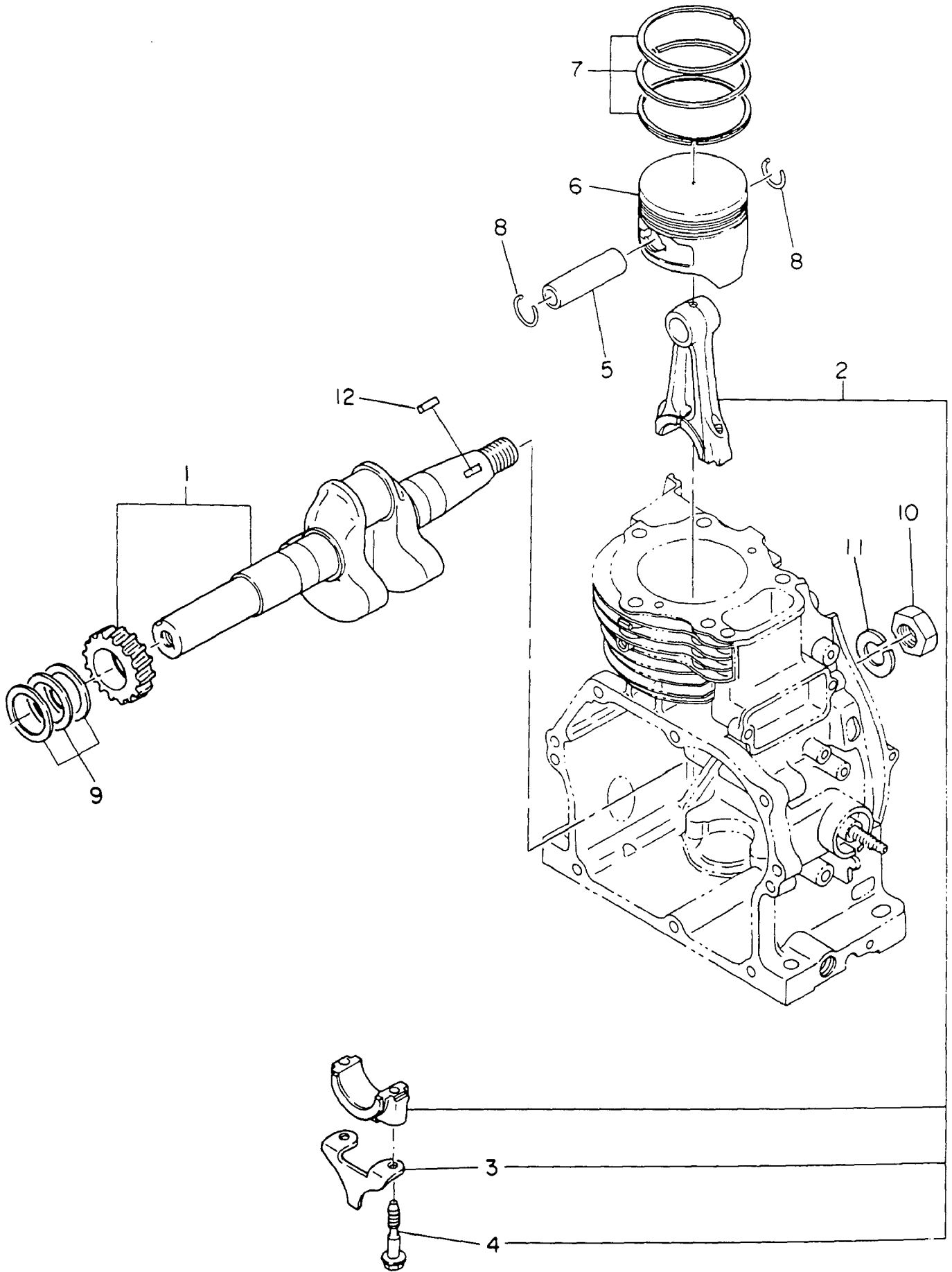
P/N 523313



1. CRANKCASE GROUP

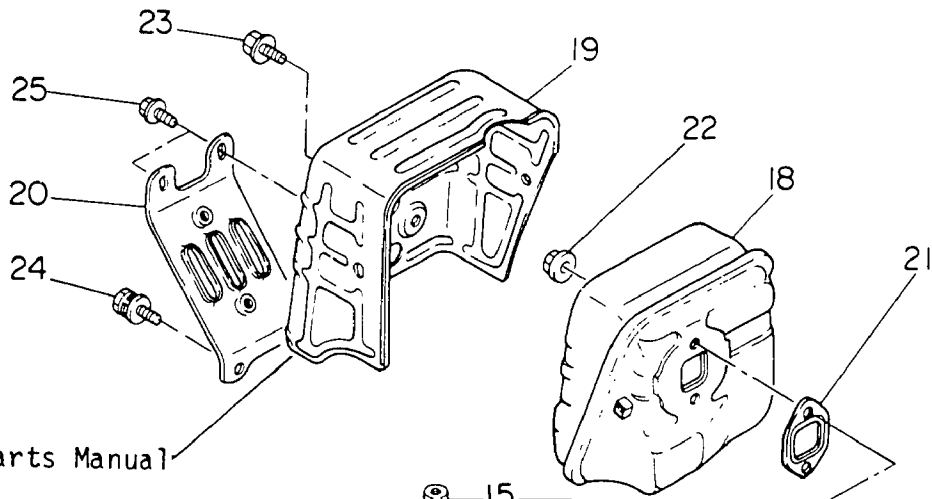
| REF. NO. | PART NO. | DESCRIPTION | QTY. |
|----------|--------------|-------------------------------------|------|
| 1 | EY2391010111 | CRANKCASE (includes 2-5) | 1 |
| 2 | EY0440300030 | OIL SEAL | 2 |
| 3 | EY0600300020 | BALL BEARING | 2 |
| 4 | EY0310080020 | DOWEL PIN | 2 |
| 5 | EY2394310113 | STUD | 1 |
| 6 | EY2391110101 | GEAR COVER (includes 2 & 3) | 1 |
| 7 | EY2391630103 | OIL SEAL | 1 |
| 8 | EY2394500101 | GOVERNOR GEAR | 1 |
| 9 | EY2054190103 | GOVERNOR SLEEVE | 1 |
| 10 | EY2146360113 | DIPSTICK | 2 |
| 11 | EY0213200010 | GASKET | 2 |
| 12 | EY2391301011 | CYLINDER HEAD (includes 7, 13 & 14) | 1 |
| 13 | EY2391420213 | VALVE GUIDE, OVERSIZE | 2 |
| 14 | EY0105080360 | STUD | 1 |
| 15 | EY2391500101 | GASKET | 1 |
| 16 | EY2141600103 | GASKET, GEAR COVER | 1 |
| 17 | EY0401140030 | PLUG, OIL DRAIN | 2 |
| 18 | EY0211140020 | GASKET, OIL DRAIN | 2 |
| 19 | EY2391550101 | ROCKER COVER | 1 |
| 20 | EY2391600203 | GASKET, ROCKER COVER | 1 |
| 21 | EY2393800103 | RUBBER HOSE | 1 |
| 22 | EY0310060020 | DOWEL PIN | 2 |
| 23 | EY2391430101 | BREATHER COVER | 1 |
| 24 | EY2391440101 | BREATHER PLATE | 1 |
| 25 | EY2391600603 | GASKET, BREATHER COVER | 1 |
| 26 | EY2391600703 | GASKET, BREATHER PLATE | 1 |
| 27 | EY2391600103 | OIL SHELTER PLATE | 1 |
| 28 | EY0043106120 | SCREW | 1 |
| 29 | EY0011308300 | BOLT & WASHER ASS'Y. | 8 |
| 30 | EY0110060020 | FLANGE BOLT | 4 |
| 31 | EY0110100010 | FLANGE BOLT | 2 |
| 32 | EY0110100020 | FLANGE BOLT | 2 |
| 33 | EY0110100030 | FLANGE BOLT | 1 |
| 34 | EY0110060030 | FLANGE BOLT | 2 |

EY2399900107 GASKET SET (includes 11, 15, 16, 18, 20, 25, 26 & Page 35 no. 21, 28, 33, 36, & page 37 no. 22.

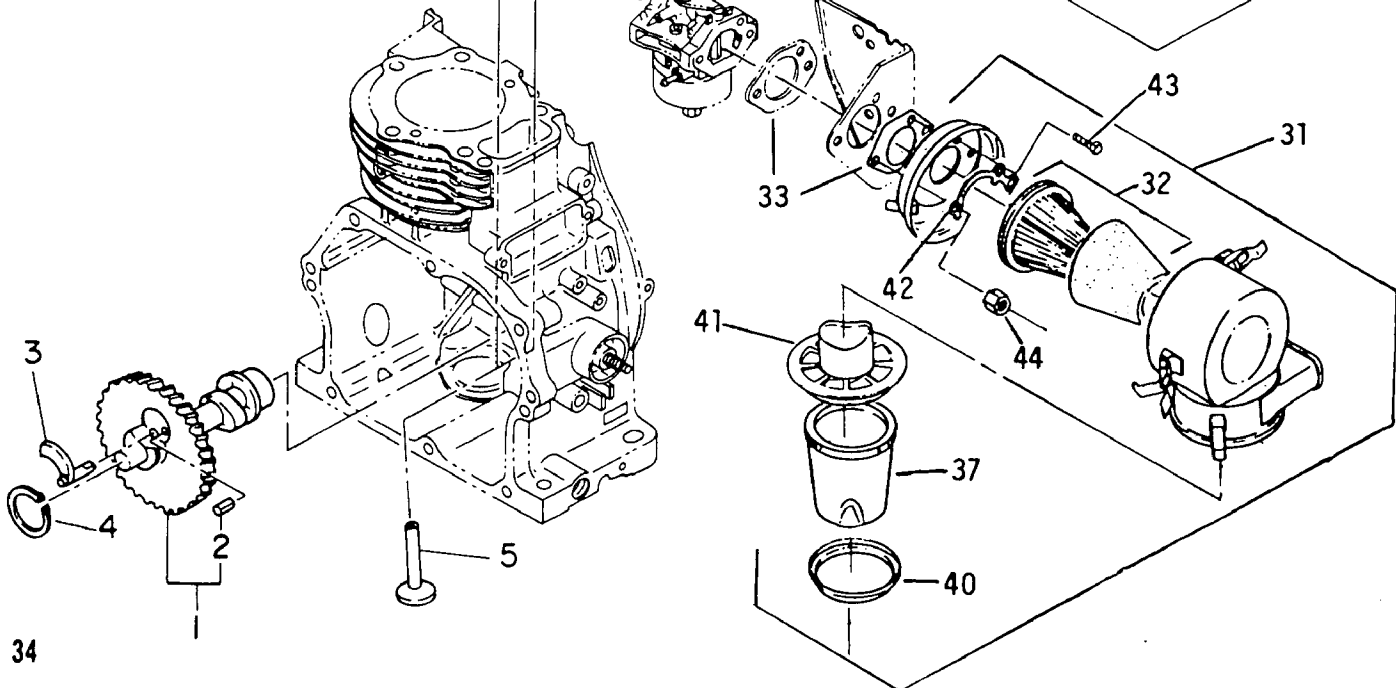
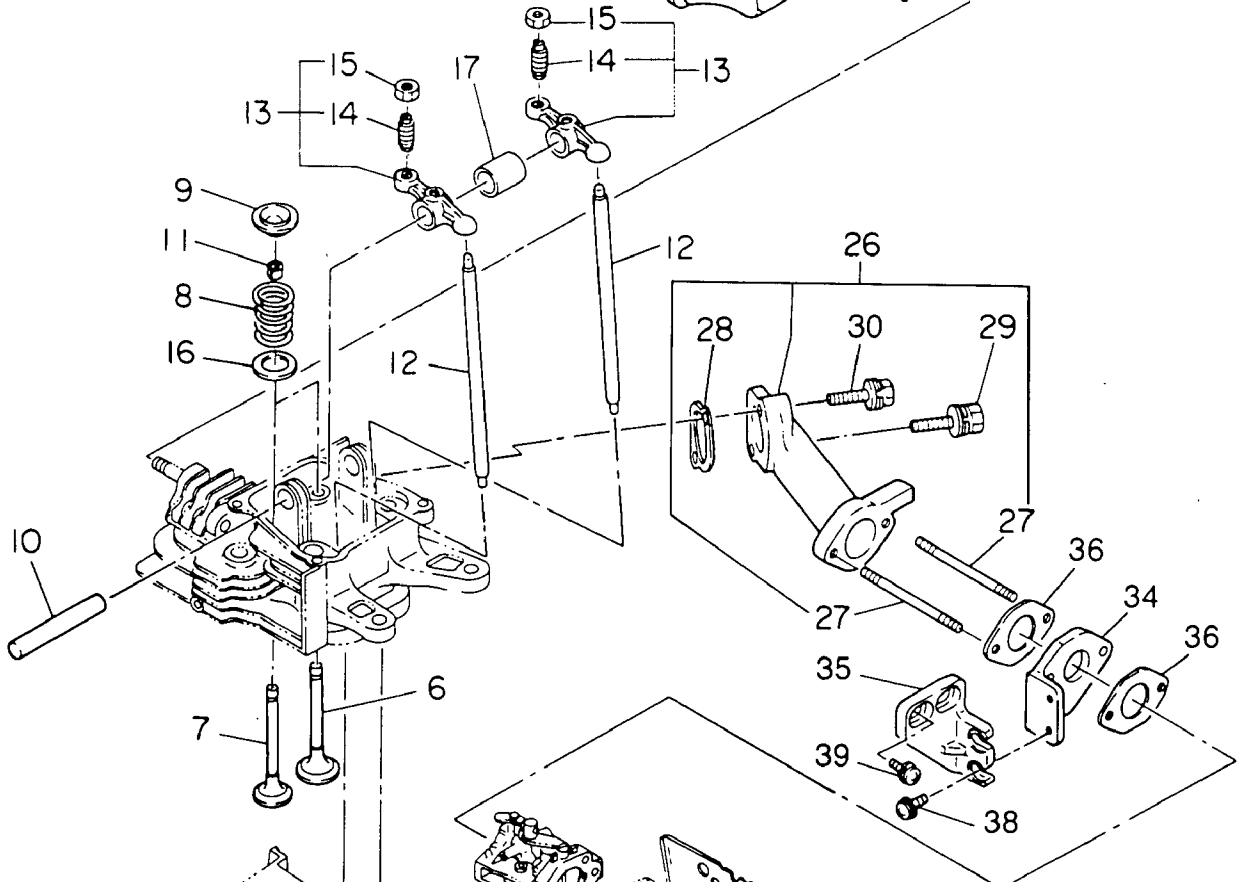


2. CRANKCASE AND PISTON GROUP

| REF. NO. | PART NO. | DESCRIPTION | QTY. |
|----------|--------------|---|------|
| 1 | EY2392090101 | CRANKSHAFT | 1 |
| 2 | EY2392250100 | CONNECTING ROD (includes 3 & 4) | 1 |
| 3 | EY2392310103 | OIL SCRAPER | 1 |
| 4 | EY2392300103 | CONNECTING ROD BOLT | 2 |
| 5 | EY2392330103 | PISTON PIN | 1 |
| 6 | EY2392340103 | PISTON, STANDARD | 1 |
| | EY2392440203 | PISTON, OVERSIZE 0.25mm (.0098") | 1 |
| | EY2392340303 | PISTON, OVERSIZE 0.50mm (.0197") | 1 |
| 7 | EY2392350107 | PISTON RING SET, STANDARD | 1 |
| | EY2392350207 | PISTON RING SET, OVERSIZE 0.25mm (.0098") | 1 |
| | EY2392350307 | PISTON RING SET, OVERSIZE 0.50mm (.0197") | 1 |
| 8 | EY2392500103 | CLIP | 2 |
| 9 | EY0230300170 | SPACER 0.6mm (.024") SELECT ONE ONLY | 1 |
| | EY0230300180 | SPACER 0.8mm (.031") | 1 |
| | EY0230300190 | SPACER 1.0mm (.039") | 1 |
| 10 | EY0021818000 | NUT | 1 |
| 11 | EY0032018000 | SPRING WASHER | 1 |
| 12 | EY0323030010 | WOODRUFF KEY | 1 |

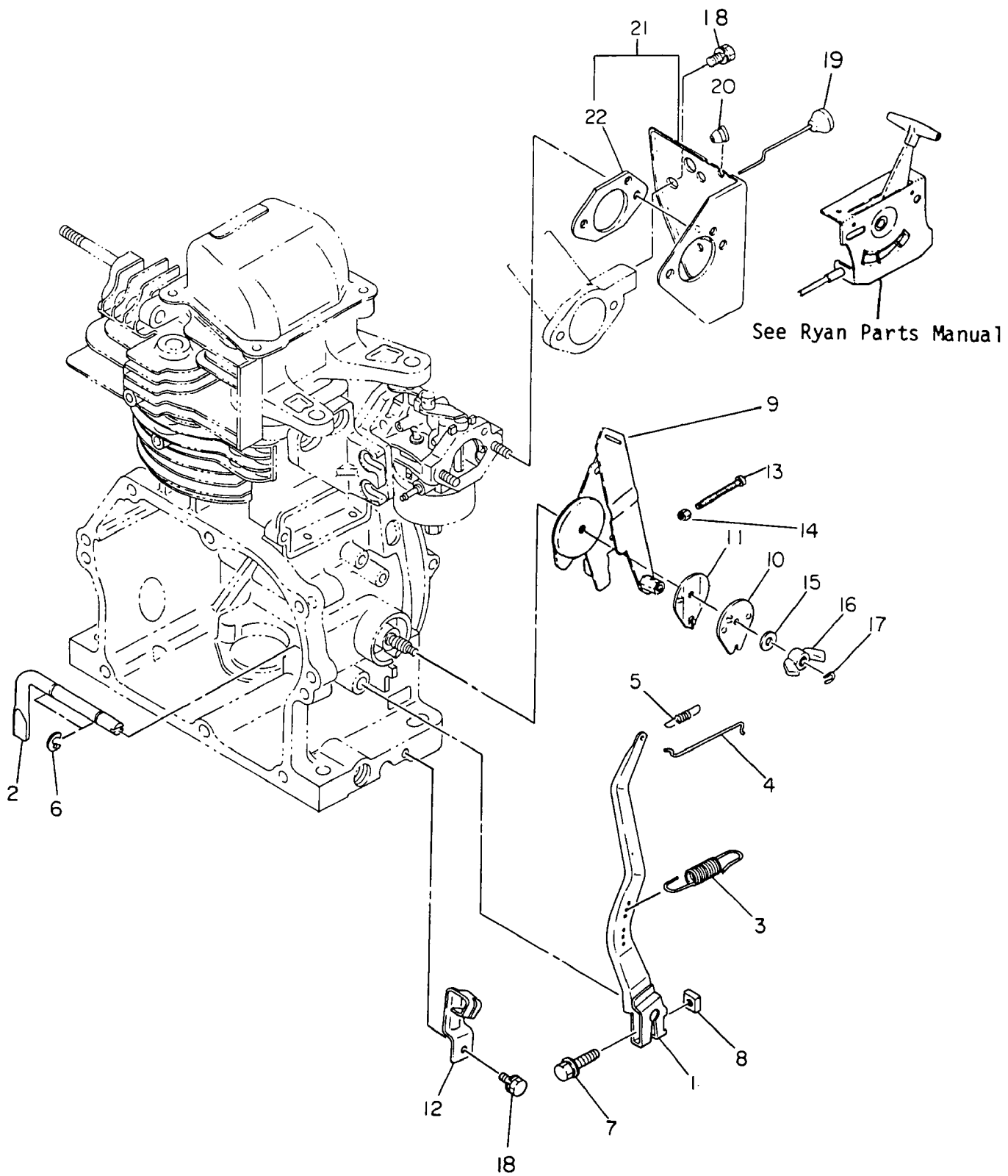


See Ryan Parts Manual



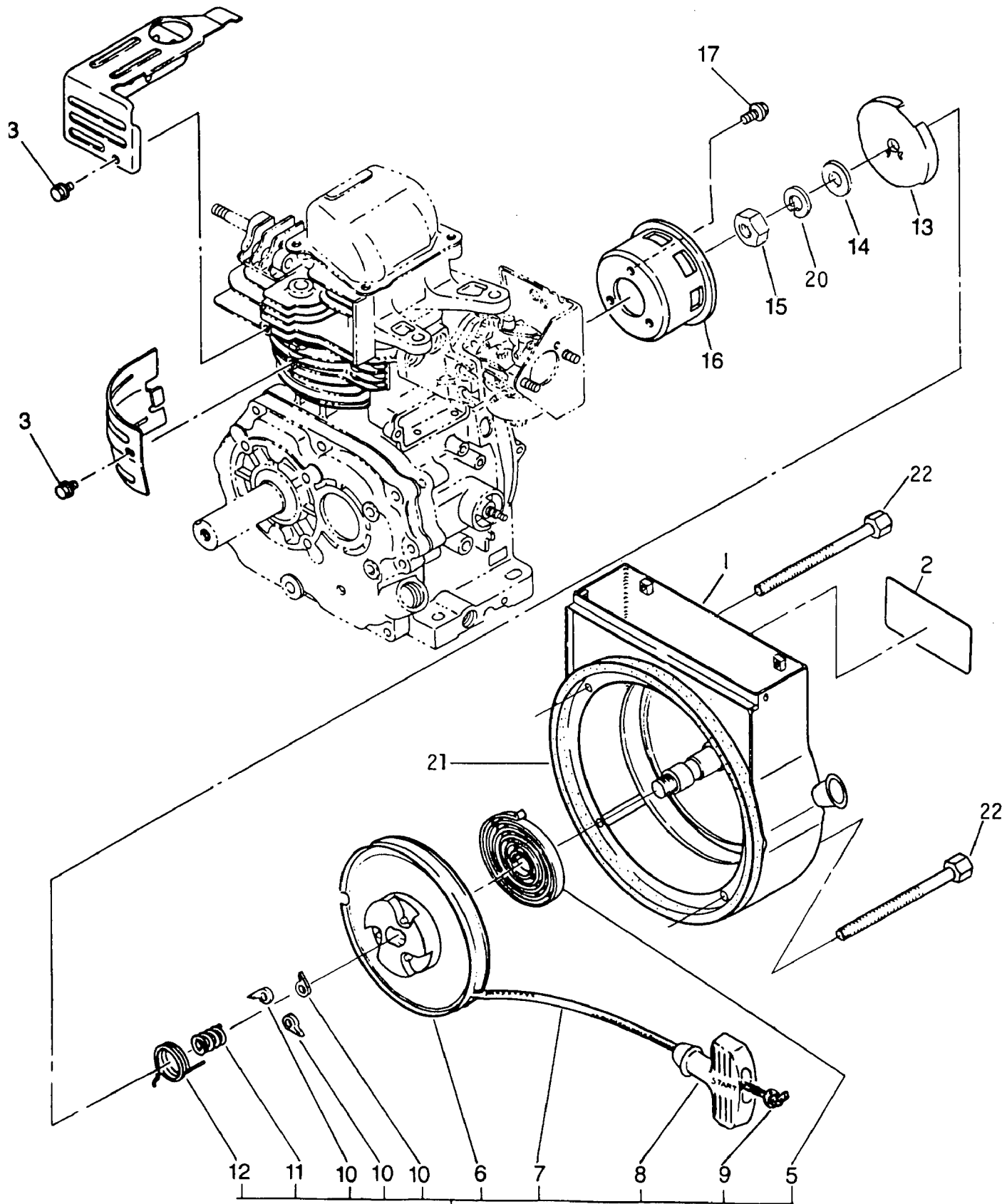
3. INTAKE AND EXHAUST GROUP

| REF. NO. | PART NO. | DESCRIPTION | QTY. |
|----------|----------------|--|------|
| 1 | EY2393170101 | CAMSHAFT (includes 2) | 1 |
| 2 | EY0051904100 | SPRING PIN | 1 |
| 3 | EY2393620101 | RELEASE LEVER | 1 |
| 4 | EY0031528000 | SNAP RING | 1 |
| 5 | EY2393330103 | TAPPET | 2 |
| 6 | EY2393340103 | INTAKE VALVE | 1 |
| 7 | EY2393350103 | EXHAUST VALVE | 1 |
| 8 | EY2393360103 | VALVE SPRING | 2 |
| 9 | EY2393370103 | SPRING RETAINER | 2 |
| 10 | EY2393500103 | ROCKER SHAFT | 1 |
| 11 | EY2393380203 | RETAINER LOCK | 2 |
| 12 | EY2393530103 | PUSH ROD | 2 |
| 13 | EY2393610100 | ROCKER ARM ASS'Y. (includes 14 & 15) | 2 |
| 14 | EY0149060090 | ADJUSTING SCREW | 2 |
| 15 | EY0170060090 | NUT | 2 |
| 16 | EY0200200010 | WASHER | 2 |
| 17 | EY2393612003 | SPACER | 1 |
| 18 | EY2393010101 | MUFFLER | 1 |
| 19 | EY2393420101 | MUFFLER COVER (NOT USED) | 1 |
| 20 | EY2393510101 | MUFFLER BRACKET | 1 |
| 21 | EY2393520101 | GASKET, MUFFLER | 1 |
| 22 | EY0180080010 | FLANGE NUT | 2 |
| 23 | EY0110060010 | FLANGE BOLT | 5 |
| 24 | EY0011008160 | BOLT & WASHER ASS'Y. | 2 |
| 25 | EY0110060020 | FLANGE BOLT | 2 |
| 26 | EY2393310111 | INTAKE MANIFOLD (includes 27) | 1 |
| 27 | EY0105060120 | STUD | 2 |
| 28 | EY2393600103 | GASKET, INTAKE MANIFOLD | 1 |
| 29 | EY0011408400 | BOLT & WASHER ASS'Y | 1 |
| 30 | EY0011408350 | BOLT & WASHER ASS'Y | 1 |
| 31 | EY2393260300 | AIR CLEANER ASS'Y (Complete) | 1 |
| 32 | EY2273262007 | ELEMENT SET (includes pre-cleaner) | 1 |
| 33 | EY2343600303 | GASKET, AIR CLEANER | 1 |
| 34 | EY2393290113 | INSULATOR | 1 |
| 35 | EY2393650113 ? | BRACKET, INTAKE MANIFOLD | 1 |
| 36 | EY2343590203 | GASKET, CARBURETOR | 2 |
| 37 | EY2063265508 | DUST CUP | 1 |
| 38 | EY0043506140 | SCREW & WASHER ASS'Y. | 1 |
| 39 | EY0043506160 | SCREW & WASHER ASS'Y. | 4 |
| 40 | EY2063266008 | RING | 1 |
| 41 | EY2063266508 | DUST COVER | 1 |
| 42 | EY2343650101 | LOCK, SCREW | 1 |
| 43 | EY0011006100 | SCREW | 1 |
| 44 | EY0021706000 | NUT | 2 |



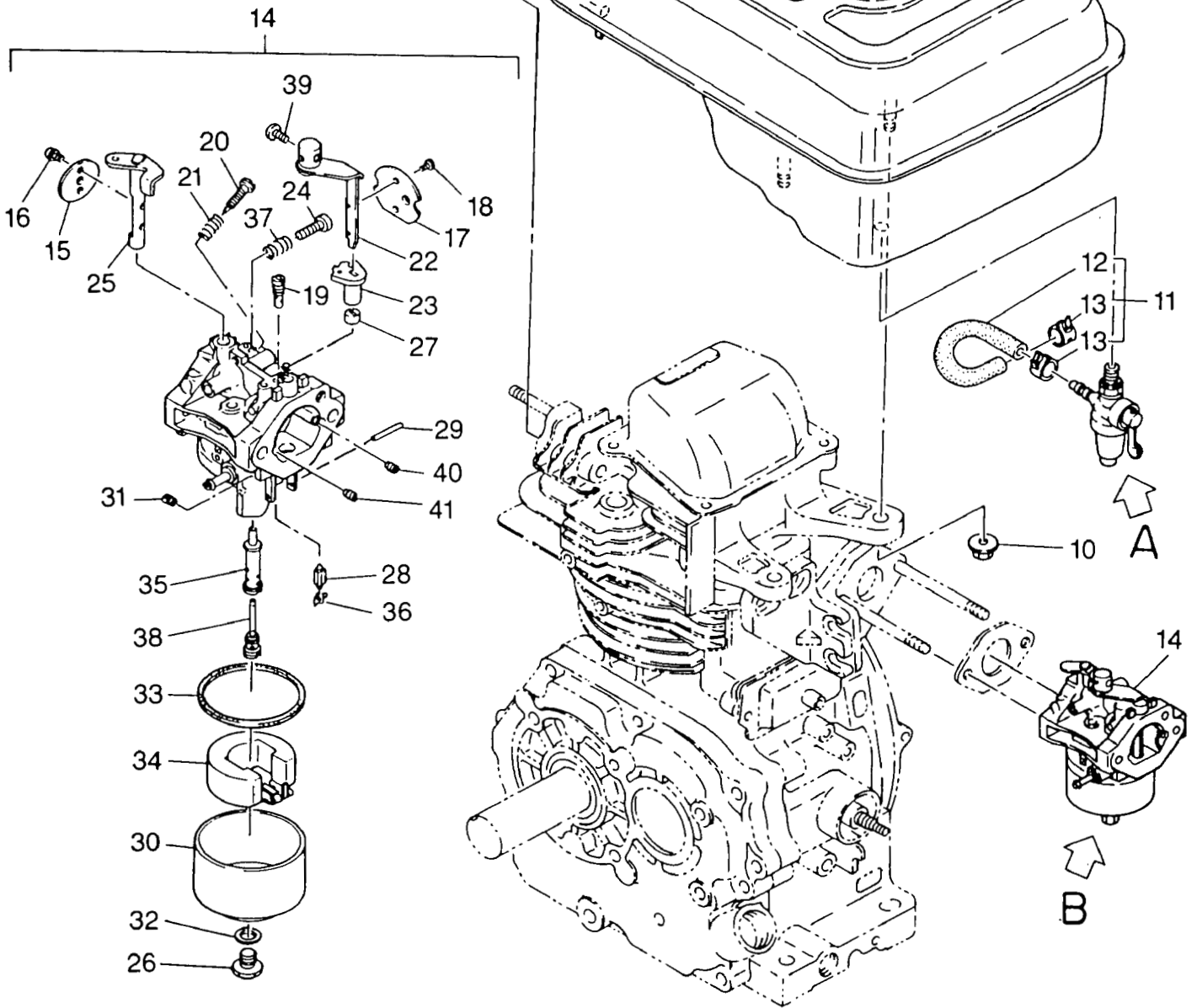
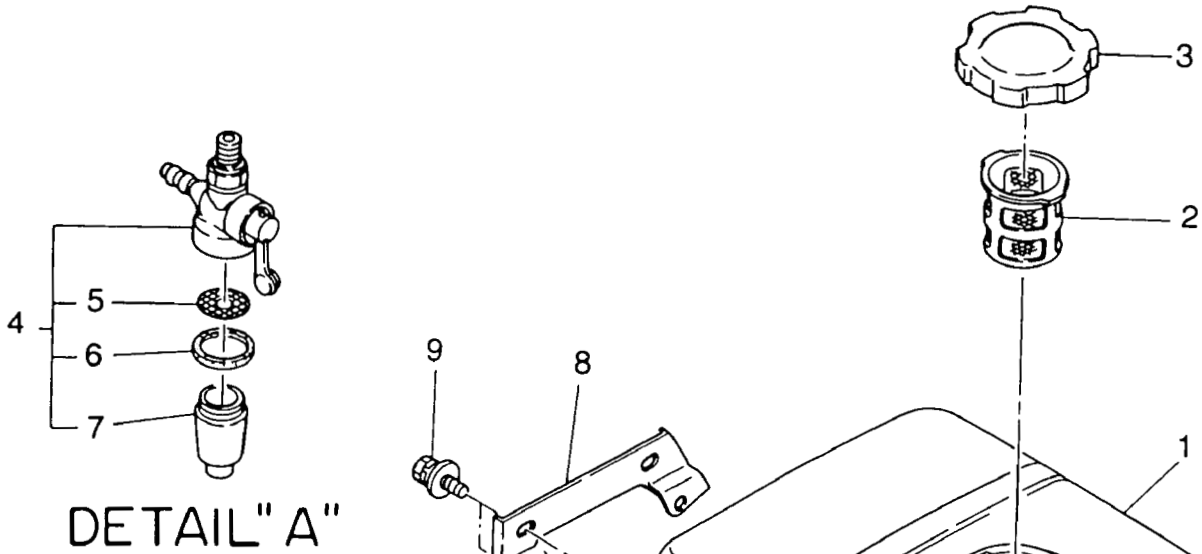
4. GOVERNOR GROUP

| REF. NO. | PART NO. | DESCRIPTION | QTY. |
|----------|--------------|---|------|
| 1 | | GOVERNOR LEVER | 1 |
| 2 | EY2324220103 | GOVERNOR SHAFT | 1 |
| 3 | EY2394250101 | GOVERNOR SPRING | 1 |
| 4 | EY2394270101 | GOVERNOR ROD | 1 |
| 5 | EY2274280103 | ROD SPRING | 1 |
| 6 | EY0031306000 | CLIP | 2 |
| 7 | EY0011406300 | BOLT & WASHER ASS'Y. | 1 |
| 8 | EY0186060020 | NUT | 1 |
| 9 | EY2394330501 | SPEED CONTROL | 1 |
| 10 | EY2394350101 | STOP PLATE | 1 |
| 11 | EY2394500203 | SPRING WASHER..... | 1 |
| 12 | EY2144420101 | WIRE BRACKET | 1 |
| 13 | EY0043105400 | SCREW | 1 |
| 14 | EY0022705000 | NUT | 1 |
| 15 | EY0031008000 | WASHER | 1 |
| 16 | EY0179080012 | WING NUT | 1 |
| 17 | EY0565040010 | CLIP | 1 |
| 18 | EY0011006120 | BOLT & WASHER ASS'Y. | 2 |
| 19 | EY2394500601 | KNOB | 1 |
| 20 | EY0241020010 | GROMMET | 1 |
| 21 | EY2394010211 | CONTROL PANEL..... | 1 |
| 22 | EY2343600303 | GASKET | 1 |
| | EY2394230107 | GOVERNOR LEVER KIT (includes 1, 7 & 8) | 1 |
| | EY2394330207 | SPEED CONTROL KIT (includes 9, 10, 11, 13, 14, 15, 16, & 17 | 1 |
| | EY2394270107 | GOVERNOR ROD AND SPRING SET (includes 3, 4 & 5)..... | 1 |



5. COOLING AND STARTING GROUP

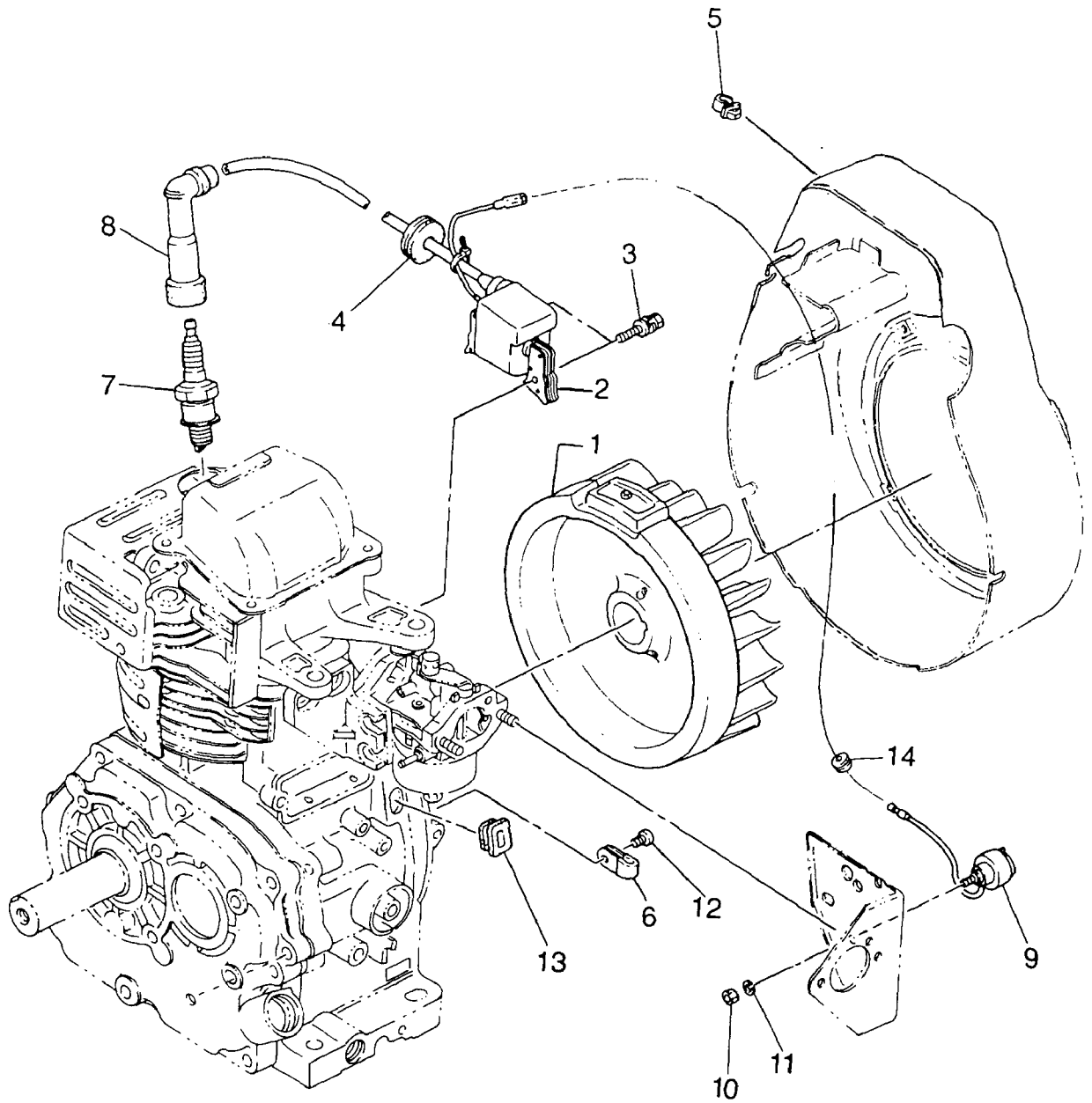
| REF. NO. | PART NO. | DESCRIPTION | QTY. |
|----------|-------------------------|---|------|
| 1 | EY2395144804 | <i>Recoil Starter</i> AIR SHROUD (includes 2) | 1 |
| 2 | 239-50441-00 | LABEL | 1 |
| 3 | EY0110060010 | FLANGE BOLT | 9 |
| 4 | EY2395044200 | RECOIL STARTER (includes 5-16 & 20) | 1 |
| 5 | EY2065011508 | SPIRAL SPRING | 1 |
| 6 | EY2075012118 | REEL COMPLETE | 1 |
| 7 | EY2075010708 | ROPE ASS'Y. (includes 8 & 9) | 1 |
| 8 | EY2065010108 | STARTER KNOB | 1 |
| 9 | EY2065011208 | STARTER ROPE | 1 |
| 10 | EY2075012508 | RATCHET | 3 |
| 11 | EY2065013008 | FRICTION SPRING | 1 |
| 12 | EY2065013808 | RETURN SPRING | 1 |
| 13 | EY2065014008 | FRICTION PLATE | 1 |
| 14 | EY2065015208 | THRUST WASHER | 1 |
| 15 | EY2065015308 | NUT | 1 |
| 16 | EY2395024608 | STARTING PULLEY | 1 |
| 17 | EY0016508120 | BOLT | 3 |
| 18 | EY2395260101 | HEAD COVER | 1 |
| 19 | EY2395270113 | CYLINDER BAFFLE | 1 |
| 20 | EY2065015408 | SPRING WASHER | 1 |
| 21 | EY2395016008 | SEAL | 1 |
| 22 | EY0130060030 | SCREW, STARTER SHROUD | 4 |
| | EY2395020207 | HARDWARE KIT (includes 10-15 & 20) | 1 |



DETAIL "B"

6. CARBURETOR AND FUEL TANK GROUP

| REF. NO. | PART NO. | DESCRIPTION | QTY. |
|----------|--------------|--|------|
| 1 | EY2396014101 | FUEL TANK | 1 |
| 2 | EY0641360010 | FUEL FILTER | 1 |
| 3 | EY0430430015 | FUEL TANK CAP | 1 |
| 4 | EY0642003800 | FUEL STRAINER ASS'Y. (includes 5-7) | 1 |
| 5 | EY0642001420 | SCREEN | 1 |
| 6 | EY0642001430 | RUBBER GASKET | 1 |
| 7 | EY0642001410 | CUP | 1 |
| 8 | EY2396160101 | BRACKET, FUEL TANK | 1 |
| 9 | EY0011408160 | BOLT & WASHER ASS'Y. | 4 |
| 10 | EY0023808000 | FLANGE NUT | 2 |
| 11 | EY2396260101 | FUEL HOSE (includes 12 & 13) | 1 |
| 12 | EY0851040000 | RUBBER HOSE | 1 |
| 13 | EY0561100030 | HOSE CLAMP | 2 |
| 14 | EY2396231010 | CARBURETOR ASS'Y. (includes 15-41) | 1 |
| 15 | EY2396253508 | THROTTLE VALVE | 1 |
| 16 | EY2096230408 | SCREW | 2 |
| 17 | EY2396252508 | CHOKE VALVE | 1 |
| 18 | EY2266235108 | SCREW | 2 |
| 19 | EY2096242008 | PILOT JET | 1 |
| 20 | EY2396230508 | PILOT SCREW | 1 |
| 21 | EY2066244608 | SPRING | 1 |
| 22 | EY2396252008 | LEVER, CHOKE | 1 |
| 23 | EY2346255008 | RING | 1 |
| 24 | EY2396243508 | SCREW | 1 |
| 25 | EY2396253108 | THROTTLE SHAFT ASS'Y. | 1 |
| 26 | EY1296235108 | BOLT | 1 |
| 27 | EY2396256008 | RING | 1 |
| 28 | EY2246230508 | NEEDLE VALVE ASS'Y. | 1 |
| 29 | EY2146251508 | PIN, FLOAT | 1 |
| 30 | EY2246255008 | FLOAT CHAMBER BODY | 1 |
| 31 | EY2276240408 | MAIN JET | 1 |
| 32 | EY2076234508 | GASKET | 1 |
| 33 | EY2066254008 | GASKET | 1 |
| 34 | EY2346250508 | FLOAT ASS'Y. | 1 |
| 35 | EY2396244008 | MAIN NOZZLE | 1 |
| 36 | EY2396255008 | CLIP | 1 |
| 37 | EY2396244508 | SPRING | 1 |
| 38 | EY2396244108 | NOZZLE | 1 |
| 39 | EY2096235408 | SCREW | 2 |
| 40 | EY1066241008 | AIR JET | 1 |
| 41 | EY1116241308 | AIR JET | 1 |
| | EY2396230207 | CARBURETOR REPAIR KIT (includes 16, 18, 20, 21, 24, 26, 27, 29, 32, 33, 36 & 37) | 1 |
| 42 | EY1566235108 | GASKET | 1 |
| 43 | EY2366268008 | SEAL | 1 |
| 44 | EY2396255108 | CAP | 1 |
| 45 | EY1066239208 | SEAL | 1 |



7. IGNITION GROUP (SOLID STATE)

| REF. NO. | PART NO. | DESCRIPTION | QTY. |
|----------|--------------|------------------------------|------|
| 1 | EY2397012108 | FLYWHEEL | 1 |
| 2 | EY2397013008 | IGNITION COIL | 1 |
| 3 | EY0011706250 | BOLT & WASHER ASS'Y. | 2 |
| 4 | EY2267024508 | GROMMET | 1 |
| 5 | EY0566000190 | CLAMP | 1 |
| 6 | EY2077500201 | CLAMP | 1 |
| 7 | EY0650140440 | SPARK PLUG | 1 |
| 8 | EY0655000190 | SPARK PLUG CAP | 1 |
| 9 | EY0662000050 | STOP BUTTON ASS'Y. | 1 |
| 10 | EY0021704000 | NUT | 2 |
| 11 | EY0032004000 | SPRING WASHER | 1 |
| 12 | EY0043106080 | SCREW | 1 |
| 13 | EY2147500103 | GROMMET | 1 |
| 14 | EY0261030030 | GROMMET | 1 |