

ATV FRONT WHEEL, STRUT, AND DIFFERENTIAL BEARING AND SEAL KITS

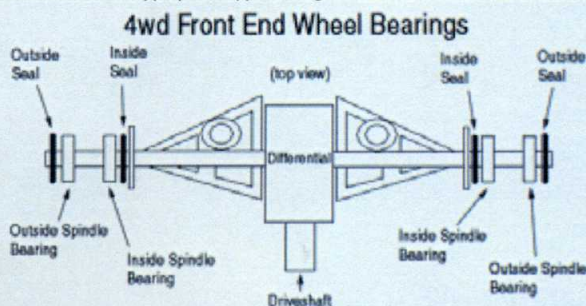
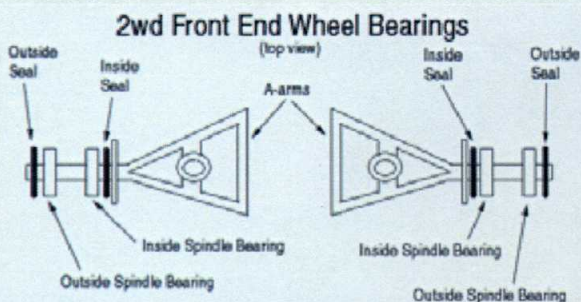
ATV FRONT BEARINGS

AXLE / WHEEL BEARINGS and BEARING KITS



All bearings and seals are top quality and are designed to handle the extreme usage that ATV riders put their machines through every day.

This is an example of a typical 4WD shaft driven front end (at right). Your particular machine may vary slightly and may not have bearings in all locations. For differential case bearings and pinion (drive) shaft bearings, please refer to the appropriate application guide.



All Bearing Kits Do One Wheel



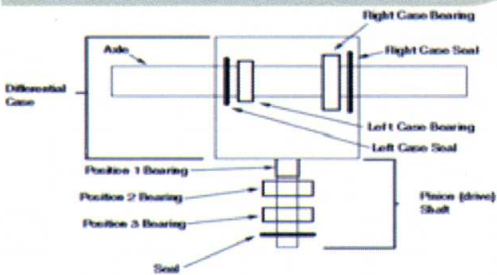
ATV DIFFERENTIAL BEARINGS

FRONT AND REAR CASE BEARINGS



These are the highest quality "ALL BALLS" brand bearings and seals to rebuild your ATV's differentials.

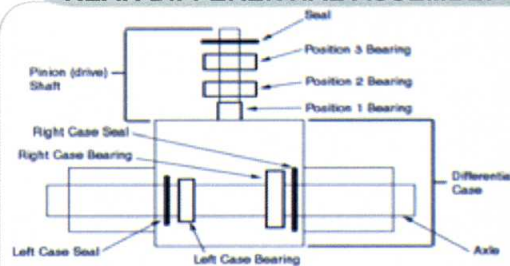
FRONT DIFFERENTIAL ASSEMBLY



DIFFERENTIAL BEARINGS

Bearings and seals are sold for each application as rebuild kits or individually. Kits come complete with all differential case bearings and seals as well as the pinion (drive shaft) bearings and seals.

REAR DIFFERENTIAL ASSEMBLY



THESE ARE EXAMPLES OF A TYPICAL DIFFERENTIAL ASSEMBLY. YOUR PARTICULAR MACHINE MAY VARY SLIGHTLY AND MAY NOT HAVE BEARINGS IN ALL LOCATIONS. SEE APPLICATION GUIDE FOR YOUR MODEL'S EXACT REQUIREMENTS.



Small Engine Discount
Phone: 1-904-291-1100
Fax: 1-904-291-1788

Parts@SmallEngineDiscount.com

- helmets & accessories
- apparel
- accessories
- carriers & racks
- bumpers & winches
- plows
- frame & chassis
- body
- handlebar
- cables & levers
- engine
- fuel & intake
- electrical & ignition
- clutch
- drive
- bearings**
- brakes
- suspension & steering
- tires & wheels
- chemicals
- tools
- towing & loading
- go cart

