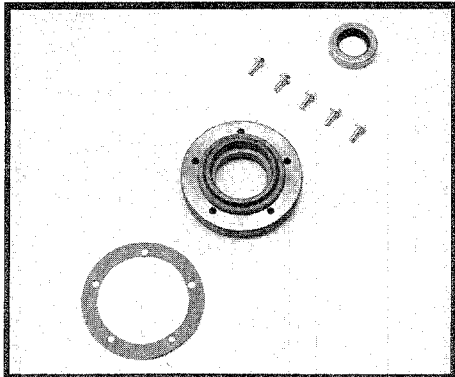
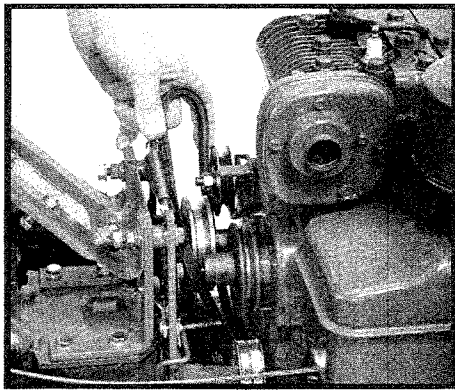
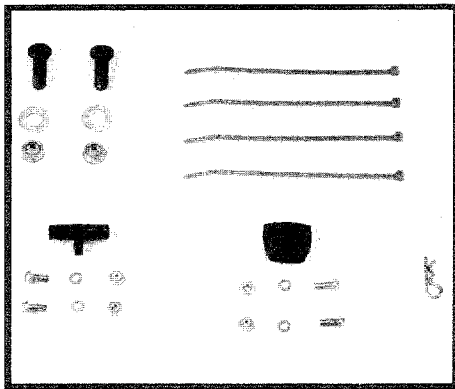


Parts Catalog

PONY[®] MODEL

TROY-BILT[®] ROTO TILLER-POWER COMPOSTER



APRIL 1986 EDITION

Not For Resale
www.SmallEngineDiscount.com

How To Find Your Tiller's Serial Number

If you ever need replacement parts for your new tiller and require any assistance or help in selecting parts or installing them, we need to know the Serial Number of your tiller when you write to us or call. The Serial Number on your tiller is permanently stamped right into the metal on the transmission housing (see photo at right for location.) In addition to the permanent stamping, a tag affixed to the tiller hood (at rear of tiller) also tells you what the Serial Number is. Again, just call us if you have any trouble deciding which part(s) you will need — that's what we're here for!

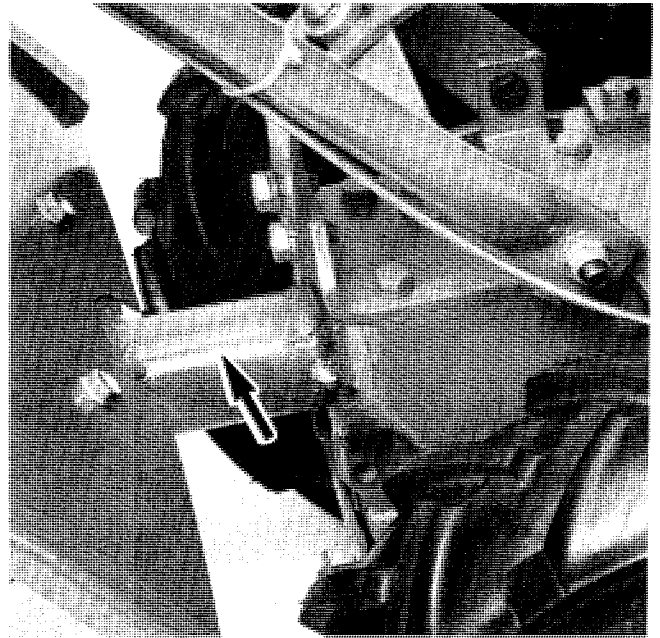


TABLE OF CONTENTS

TILLER ASSEMBLIES BY GROUPS	pages 2 thru 19
Locating Tiller Serial Number	inside front cover
How To Use This Catalog	Page 1
HANDLEBARS & MOUNTING BRACKET, & CONTROL LEVERS	page 2
HOOD, BRACKET & DEPTH REGULATOR	page 4
ENGINE & SUPPORT BRACKETS, ENGINE PULLEYS, BELTS, BELT COVER	page 6
FORWARD/REVERSE IDLER AND SHIFT ASSEMBLY	page 8
BOLO TINES, WHEELS	page 10
TRANSMISSION ASSEMBLIES	pages 12 thru 17
Transmission Housing, Covers, Seals, Gaskets & Plugs	page 12
Main Drive Shaft Assembly	page 14
Transmission Drive Pulley, Input Pinion Shaft & Gear Assembly	page 14
Wheel Shaft Assembly & Clutch Eccentric Shaft Assembly	page 16
Tiller Shaft Assembly	page 16
ELECTRIC START ASSEMBLY	page 18
ATTACHMENTS	pages 20 thru 23
NUMERICAL INDEX	page 24 & inside back cover

HELPFUL INFORMATION FOR USERS OF THE PONY MODEL PARTS CATALOG

This Parts Catalog covers only the PONY Model TROY-BILT Roto Tiller-Power Composter, built by Garden Way Manufacturing Company. Be sure to SEE THE SEPARATELY ENCLOSED PARTS PRICE LIST & ORDER FORM FOR PRICES.

We will always pay careful attention to every

parts order or service request. This catalog is a part of our policy of "Trying to be of genuine service to our customers." We think it will be of help to you.

If you have any unanswered questions, please write to us, or call if it is urgent. We'll give you all the help we can. Thank you.

HOW TO USE THIS CATALOG

To find a part, locate the page number of the photograph or sketch of the part you seek in the Table of Contents. Note that some parts may be shown on more than one photograph because they are also related to other parts in each photo in which they appear.

Each pictured part has an Index Number right in the photo. This Index Number also appears in the first column of the parts list opposite the photograph. The second column of the parts list shows the part number given to that particular part. **It is these numbers, the part numbers in the second column, that should be used to order replacement parts.**

The third column of the parts list generally uses a single word to describe the part, then

gives additional descriptive information. Where we think it will be extra helpful to you, we have often identified where the part fits, or what it does in the assembly.

The fourth column of the parts list shows how many of each part is used in the assembly. If a part is used more than once on the tiller, you can determine how many times and where on the tiller by looking at the Numerical Index of parts in the back of the catalog. This shows the page and index numbers of all the assemblies using that part. Thus, if you know the part number but do not know its name, location, or use, the Numerical Index in the back will refer directly to the proper photo and part description.

PLEASE NOTE

Some replacement parts that you receive may vary slightly in shape, color, or texture from the original parts. This is because certain parts are supplied to us by more than one manufacturer. Please be assured, however, that all parts must conform to our rigid quality specifications, and any slight variations will not affect the fit or performance of these parts in your tiller.

EXPLANATION OF "RIGHT-HAND" & "LEFT-HAND"

IMPORTANT: Left and right sides of tiller are determined by standing in the operator position and facing the direction of forward travel.

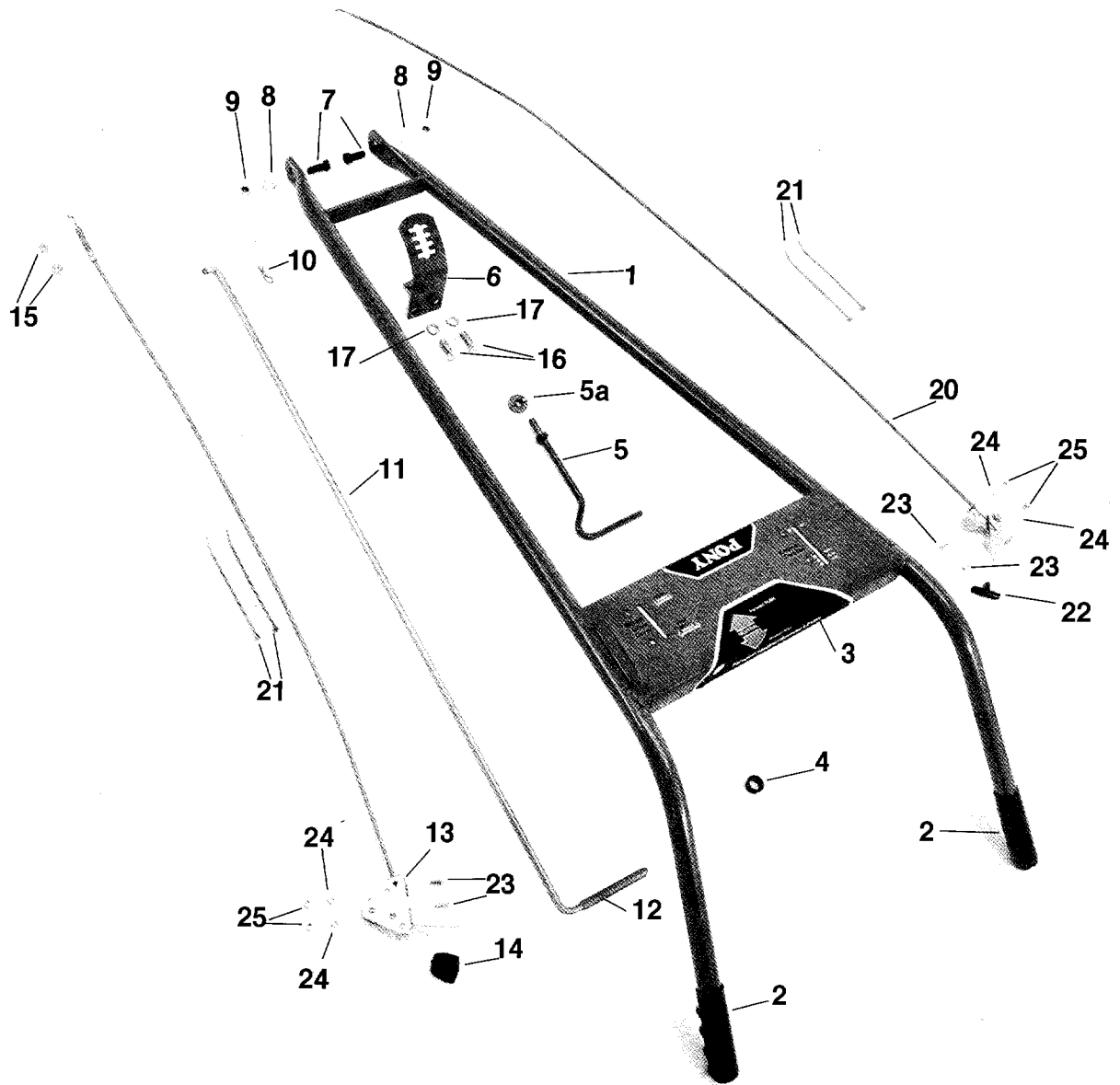
GARDEN WAY MANUFACTURING COMPANY

102nd Street and 9th Avenue, Troy, New York 12180
(All states except Alaska call Toll-Free: (800) 833-6990)
(In Alaska call Collect: (518) 235-6010)

GARDEN WAY CANADA

514 Carlingview Dr., Rexdale, Ontario M9W 5R3
(Call Collect: (416) 674-1502)

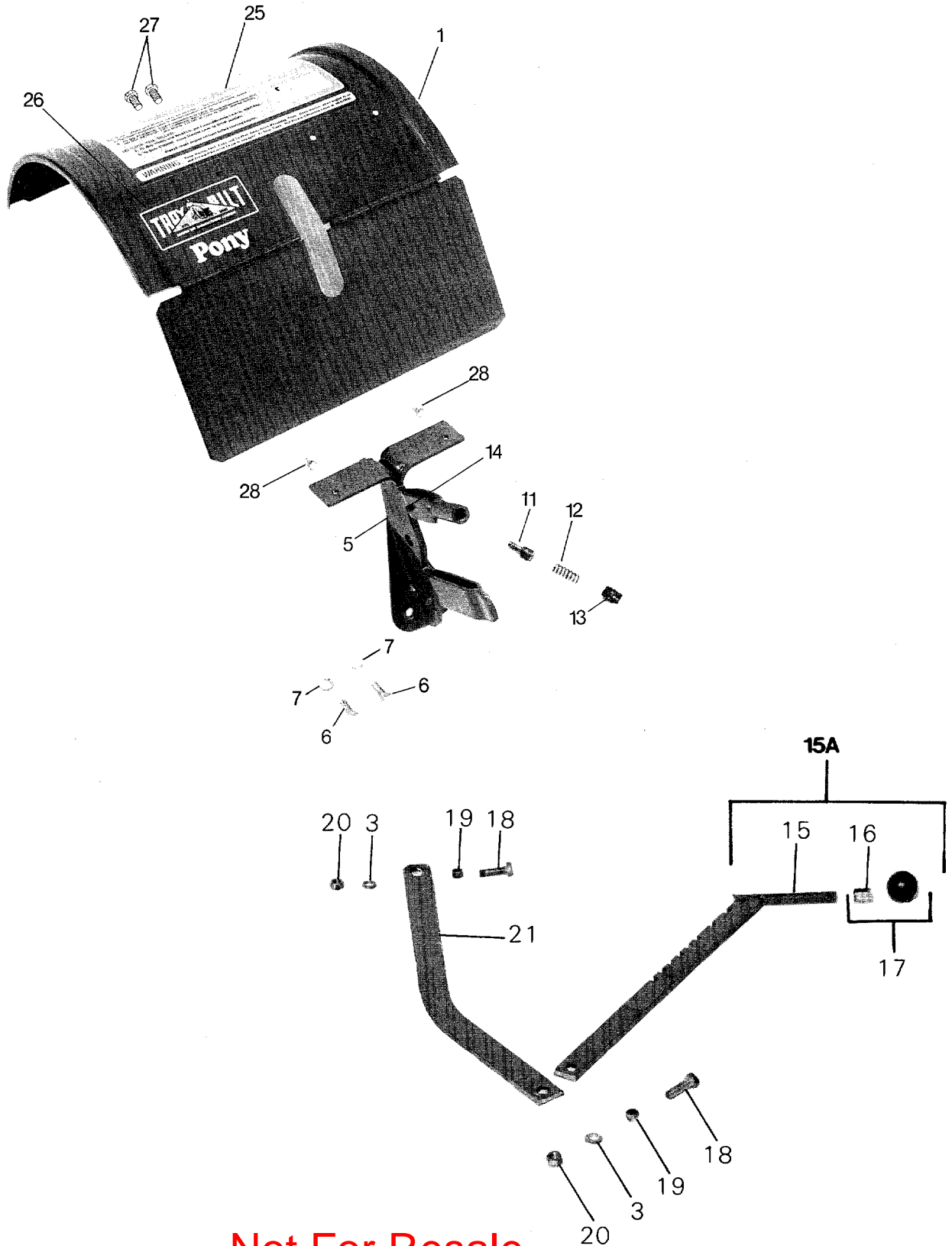
HANDLEBARS & MOUNTING BRACKET — & CONTROL LEVERS



Not For Resale
www.SmallEngineDiscount.com

INDEX NO.	PART NO.	DESCRIPTION	NO. REQ'D
HANDLEBARS & MOUNTING BRACKET — & CONTROL LEVERS			
1	20736	HANDLEBARS — (incl. Index No.'s 2, 3, 4, 5, 5A)	1
2	9117	GRIP — handlebars	2
3	20734	DECAL — for operator control panel	1
4	9211	GROMMET — plastic (part of operator control panel)	1
5	20703	STUD — regulates handlebar height adjustment	1
5A	9955	WASHER — keyed, used with stud above	1
6	20753	BRACKET — handlebar height adjustment	1
7	9711	BOLT — hex head, $\frac{3}{8}$ "-16 x 1", Grade 5 (to attach handlebars to tabs on transmission top cover)	2
8	9904	WASHER — plain (flat), $\frac{3}{8}$ ", S.A.E. (handlebar attachment)	2
9	9837	LOCKNUT — hex, $\frac{3}{8}$ "-16 (handlebar attachment)	2
10	9338	HITCH PIN — (connects Forward-Neutral-Reverse Lever to the shift mechanism)	1
11	20797	FORWARD-NEUTRAL-REVERSE LEVER — complete (incl. grip, #9198) . .	1
12	9198	GRIP — Forward-Neutral-Reverse Lever	1
13	10357	WHEEL DRIVE CONTROL & CABLE ASSY. — complete, including Index No.'s 14, 15, 21, 23, 24, 25	1
14	9057	KNOB — Wheel Drive Control Lever	1
15	9826	NUT — hex, $\frac{5}{16}$ "-24, wheel drive cable adjustment	2
16	9709	BOLT — hex head, $\frac{3}{8}$ "-16 x $\frac{3}{4}$ " (to attach handlebar height adjustment bracket to transmission top cover)	2
17	9913	LOCKWASHER — $\frac{3}{8}$ " (to attach handlebar height adjustment bracket to transmission top cover)	2
20	9191	THROTTLE CONTROL & CABLE — complete, including Index 22 (Index No.'s 23, 24, & 25 not included)	1
21	9202	TIES — plastic (to secure cables to handlebars)	4
22	9212	KNOB — throttle control lever	1
23	9722	SCREW — round head, No. 10-32 x $\frac{1}{2}$ "	4
24	9909	LOCKWASHER — No. 10	4
25	9809	NUT — hex, No. 10-32	4

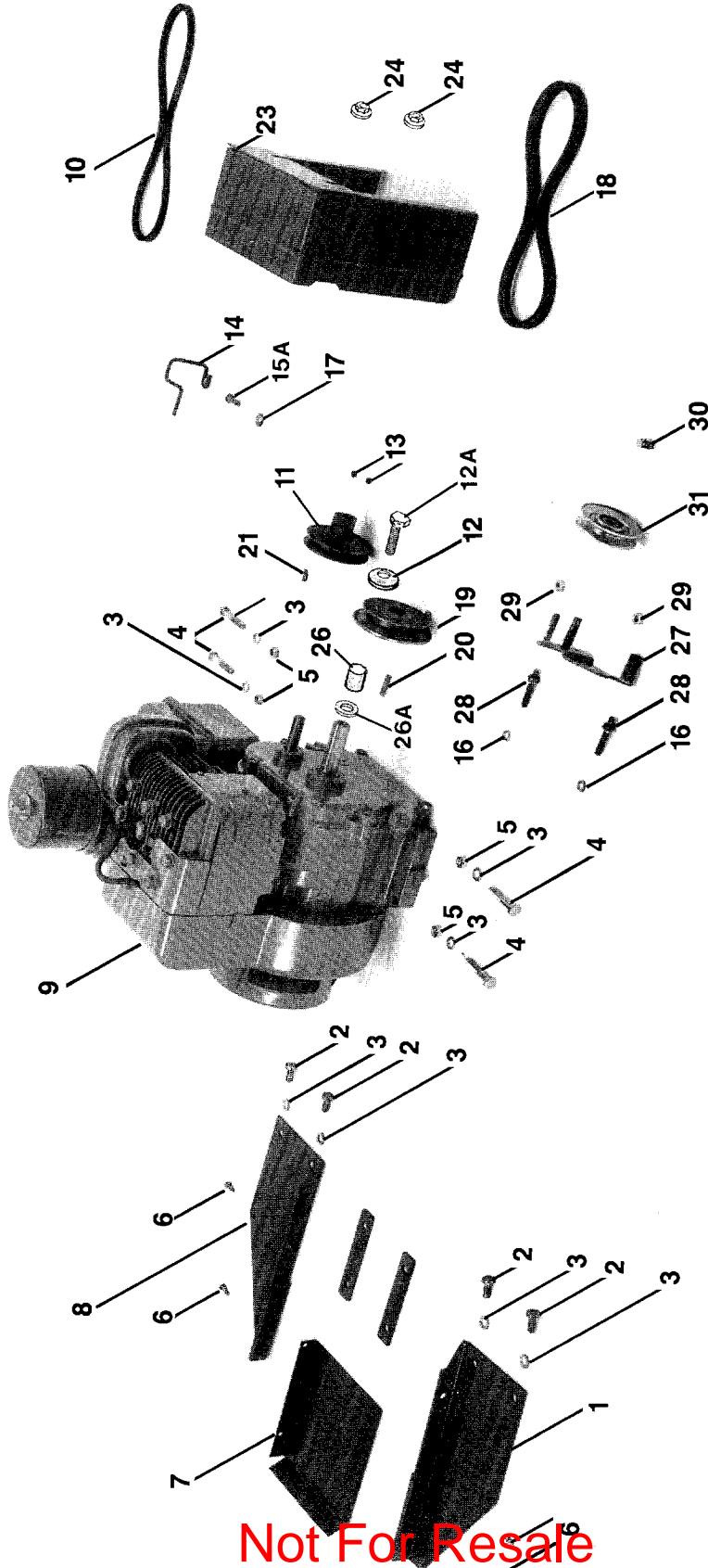
HOOD, BRACKET & DEPTH REGULATOR



Not For Resale
www.SmallEngineDiscount.com

INDEX NO.	PART NO.	DESCRIPTION	NO. REQ'D
HOOD, BRACKET & DEPTH REGULATOR			
1	20732	HOOD — tine cover, with hinged flap (incl. Decals #20733 & 20401)	1
3	9913	LOCKWASHER — $\frac{3}{8}$ "	2
5	2255	BRACKET — hood & depth regulator, incl. roll pin #9308	1
6	9703	BOLT — hex head, $\frac{5}{16}$ "-18 x $\frac{3}{4}$ " (bracket to rear bearing cap)	2
7	9912	LOCKWASHER — $\frac{5}{16}$ "	2
11	1119	PLUNGER — depth regulator locking	1
12	1120	SPRING — depth regulator plunger	1
13	9726	PLUG — pipe, $\frac{1}{4}$ "	1
14	9308	ROLL PIN — $\frac{1}{4}$ " x 1" (spiral)	1
15	BAR — depth adjustment (not avail. sep. — see Index 15A)	1
15A	1117A	BAR ASSEMBLY — depth adjustment (incl. Index No's. 15, 16, 17)	1
16	9120	RING — retaining, tolerance ring	1
17	9119	KNOB — depth regulator, incl. retaining ring, Index 16	1
18	9712	BOLT — hex head, $\frac{3}{8}$ "-16 x $1\frac{1}{4}$ "	2
19	1113-1	BUSHING — spacer, drag bar	2
20	9802	NUT — hex, $\frac{3}{8}$ "-16	2
21	20775	DRAG BAR — depth regulator	1
25	20733	DECAL — tiller operation instructions	1
26	20401	DECAL — Troy-Bilt Pony (model name decal)	1
27	9553	SCREW — hex head, $\frac{5}{16}$ "-18 x $\frac{1}{2}$ " self-tapping	2
28	9552	SCREW — flanged hex head, $\frac{1}{4}$ "-20 x $\frac{1}{2}$ " self-tapping (attaches hood to depth regulator bracket)	2

ENGINE & SUPPORT BRACKETS, PULLEYS, BELTS, BELT COVER



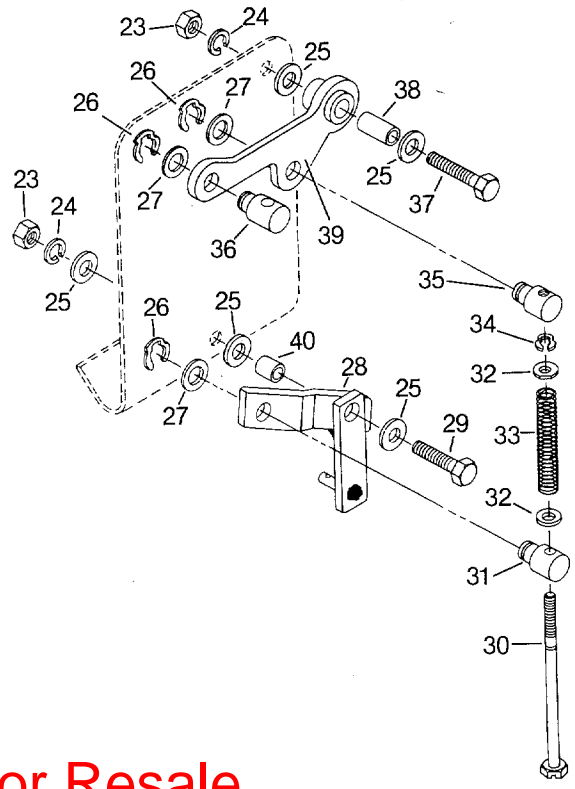
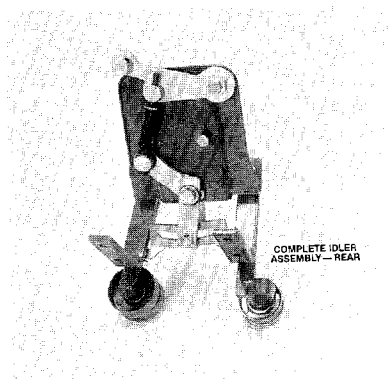
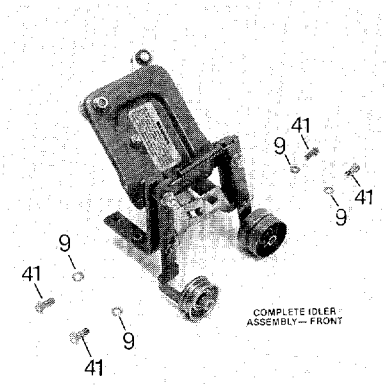
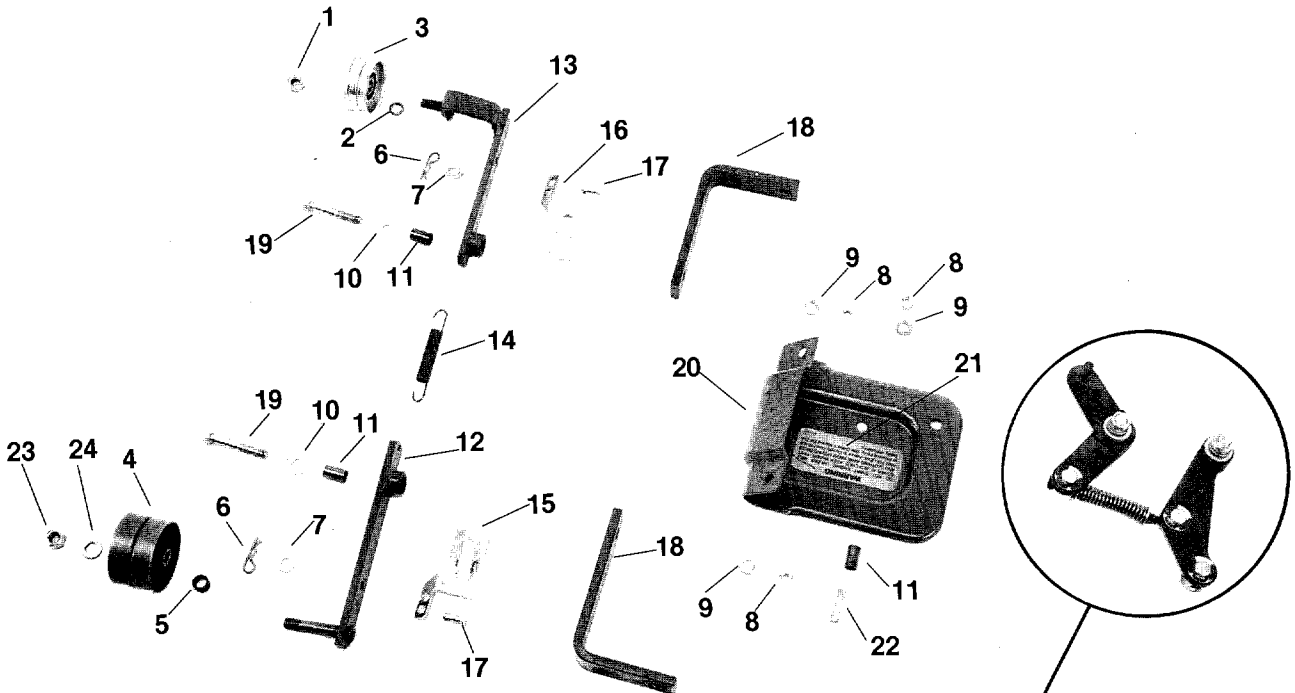
Not For Resale
www.SmallEngineDiscount.com

INDEX NO.	PART NO.	DESCRIPTION	NO. REQ'D
ENGINE & SUPPORT BRACKETS, PULLEYS, BELTS, BELT COVER			
1	20754	SUPPORT BRACKET — engine, left side	1
2	9703	BOLT — hex head, $\frac{5}{16}$ "-18 x $\frac{3}{4}$ ", brackets to transmission	4
3	9912	LOCKWASHER — $\frac{5}{16}$ "	8
4	9758	BOLT — $\frac{5}{16}$ "-18 x $1\frac{1}{2}$ "	4
5	9801	NUT — hex, $\frac{5}{16}$ "-18	4
6	9768	SCREW — hex head, No. 10-32 x $\frac{1}{2}$ " self-tapping (sems — with permanent washer)	4
7	20673	SUPPORT BRACKET (PAN) — engine, front	1
8	20755	SUPPORT BRACKET — engine, right side	1
9	9020B	ENGINE — Briggs & Stratton, standard recoil start with Magnetron ignition, 5 HP, Model 130292, Type 1900-01 (call Cust. Serv.)	
9	9021B	ENGINE — Briggs & Stratton, electric start with Magnetron ignition, 5HP, Model 130297, Type 1901-01 (call Cust. Serv.)	
10	50134	V-BELT — Reverse (See V-Belt Set Below)	1
11	20503	REVERSE PULLEY — engine driven, one groove, single belt	1
12	9944	WASHER — disc spring (concave surface faces forward pulley)	1
12A	9655	BOLT — hex head $\frac{5}{16}$ "-24 x $\frac{3}{4}$ " (attaches forward pulley), Grade 5	1
13	9561	SET SCREW — socket head, $\frac{1}{4}$ "-20 x $\frac{1}{4}$ ", (secures reverse engine pulley)	2
14	20555	BELT GUIDE — forward drive belt	1
15A	9573	BOLT — hex head, $\frac{1}{4}$ "-20 x $\frac{3}{4}$ ", self-tapping	1
16	9910	LOCKWASHER — $\frac{1}{4}$ "	2
17	9900	WASHER — plain (flat), $\frac{1}{4}$ ", S.A.E.	1
18	20565	V-BELT — forward (See V-Belt Set below)	1
19	20765	FORWARD PULLEY — engine driven, one groove, single belt	1
20	9301	KEY — $\frac{3}{16}$ " square x 1", forward pulley to forward PTO shaft	1
21	9361	KEY — Woodruff (size #5), reverse pulley to reverse PTO shaft	1
23	20655	COVER — shields belts and pulleys	1
24	9848	NUT — $\frac{5}{16}$ "-18, locking, whiz -style	2
26	9089	SPACER (on forward PTO shaft between engine and forward pulley)	1
26A	1138-2	SHIM (on forward PTO shaft between engine and spacer)	as req'd.
....	4922	V-BELT SET — (Includes #20565 forward and #50134 reverse belts)	1
27	20648	MOUNTING BRACKET — reverse idler pulley	1
28	EB94067	STUD — engine, reverse idler pulley mounting bracket (Briggs & Stratton part)	2
29	9811	LOCKNUT — $\frac{1}{4}$ "-20	2
30	9807	LOCKNUT — $\frac{3}{8}$ "-16	1
31	9017	PULLEY — Reverse Idler (internal bushing type)	1

Not For Resale

www.SmallEngineDiscount.com

FORWARD/REVERSE IDLER ASSEMBLY



INDEX NO.	PART NO.	DESCRIPTION	NO. REQ'D
FORWARD/REVERSE IDLER ASSEMBLY			
1	9837	LOCKNUT — hex, $\frac{3}{8}$ "-16	1
2	20513	BUSHING — reverse idler pulley	1
3	9460	PULLEY — idler, reverse tiller direction	1
4	9090	PULLEY — idler, forward tiller direction	1
5	9091	SPACER	1
6	9338	HITCH PIN	1
7	9900	WASHER — plain, $\frac{1}{4}$ "	2
8	9801	NUT — hex, $\frac{5}{16}$ "-18	2
9	9912	LOCKWASHER — $\frac{5}{16}$ "	3
10	20545	WASHER — plain, $\frac{5}{16}$ "	7
11	9479	PIVOT BUSHING	2
12	20657	IDLER ARM — left, forward tiller direction	3
13	20656	IDLER ARM — right, reverse tiller direction	1
14	1492	SPRING	1
15	20517-01	FORWARD LINK	1
16	20517-02	REVERSE LINK	1
17	9340	PIN	1
18	20751	MOUNTING BAR	2
19	9741	BOLT — idler arm, $\frac{5}{16}$ "-18 x 2" (Grade 5)	2
20	20622	SHIFTING BASE (incl. #50112 Warning Decal)	1
21	50112	DECAL — safety (warning instructions on belts/pulleys)	1
22	9574	BOLT — hex head, $\frac{5}{16}$ "-18 x $1\frac{1}{4}$ "	1
23	9802	NUT — hex, $\frac{3}{8}$ "-16	1
24	9913	LOCKWASHER — $\frac{3}{8}$ "	3
25	20553	SPACER — bushing	3
26	9515	RETAINING RING	5
27	20546	WASHER — pivot	3
28	20680	BELLCRANK	3
29	9712	BOLT — hex head, $\frac{3}{8}$ "-16 x $1\frac{1}{4}$ "	1
30	20552	ADJUSTMENT BOLT	1
31	20504	PIVOT — lower	1
32	20554	WASHER — (between lower pivot and spring, and between spring and retaining ring)	1
33	20544	SPRING	2
34	9514	RETAINING RING	1
35	20505	PIVOT — upper	1
36	20506	PIVOT — for forward/reverse lever	1
37	9558	BOLT — hex head, $\frac{3}{8}$ "-16 x $1\frac{1}{2}$ "	1
38	9060	BUSHING — rod crank	1
39	20719	ROD CRANK	1
40	20532	BUSHING — bellcrank	1
41	9704	BOLT — hex head, $\frac{5}{16}$ "-18 x 1"	1

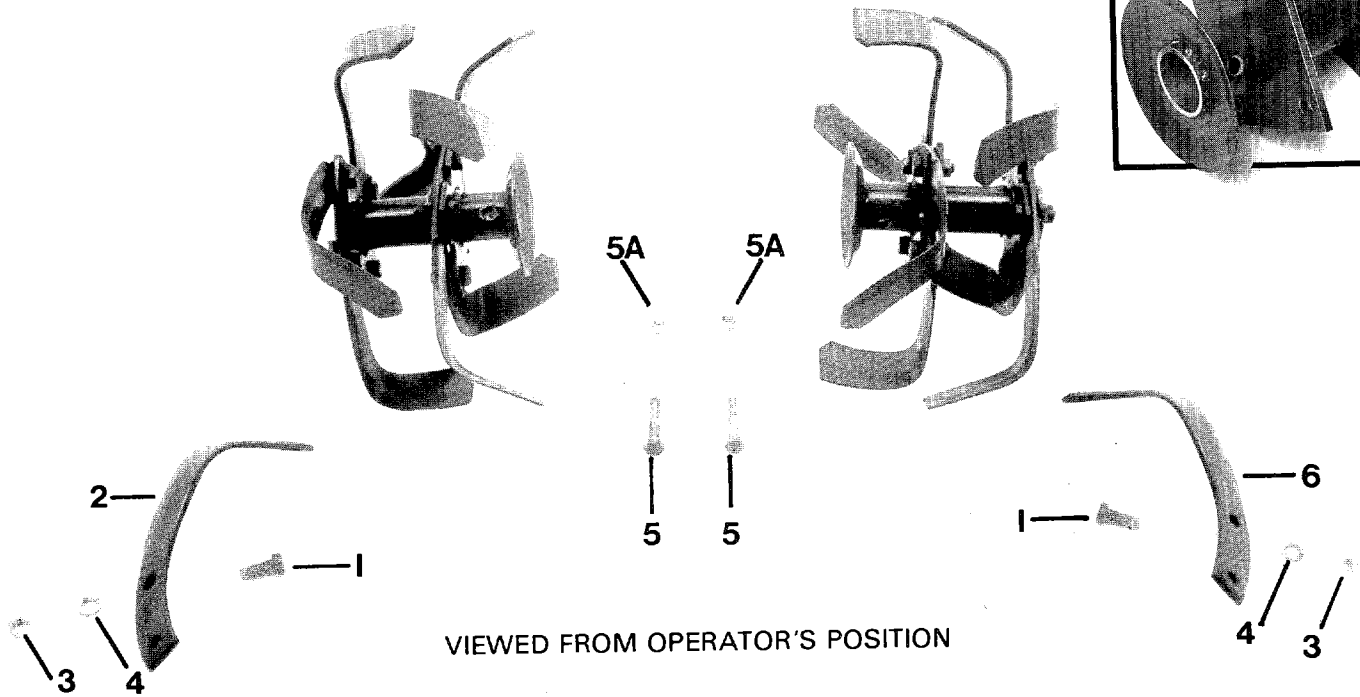
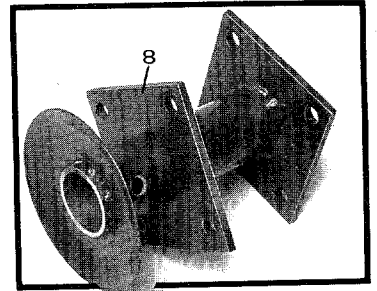
Not For Resale

www.SmallEngineDiscount.com

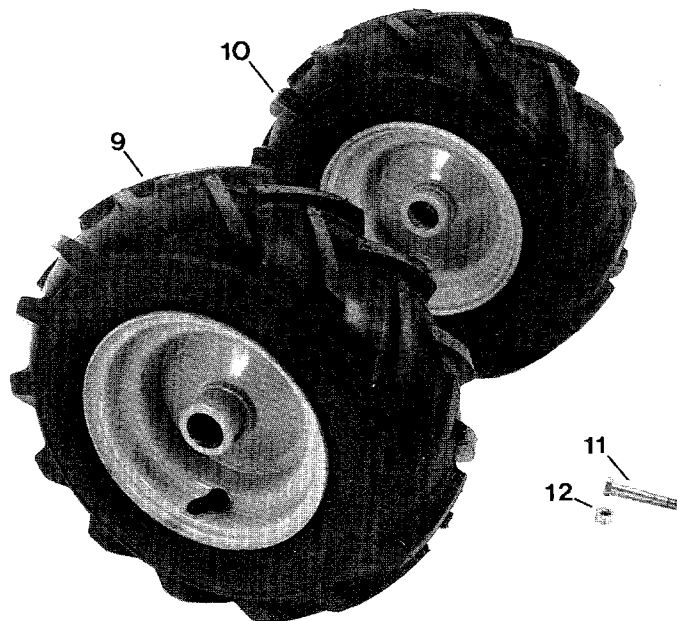
BOLO TINES, WHEELS

LEFT SIDE

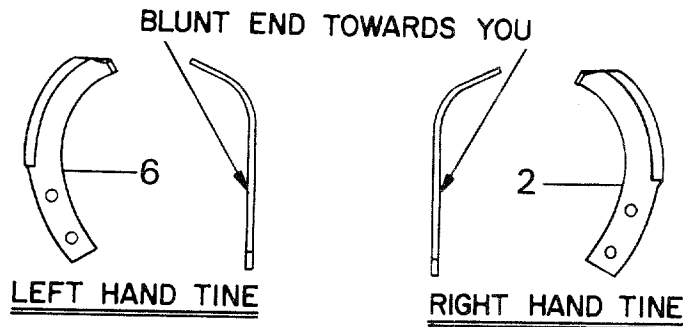
RIGHT SIDE



VIEWED FROM OPERATOR'S POSITION



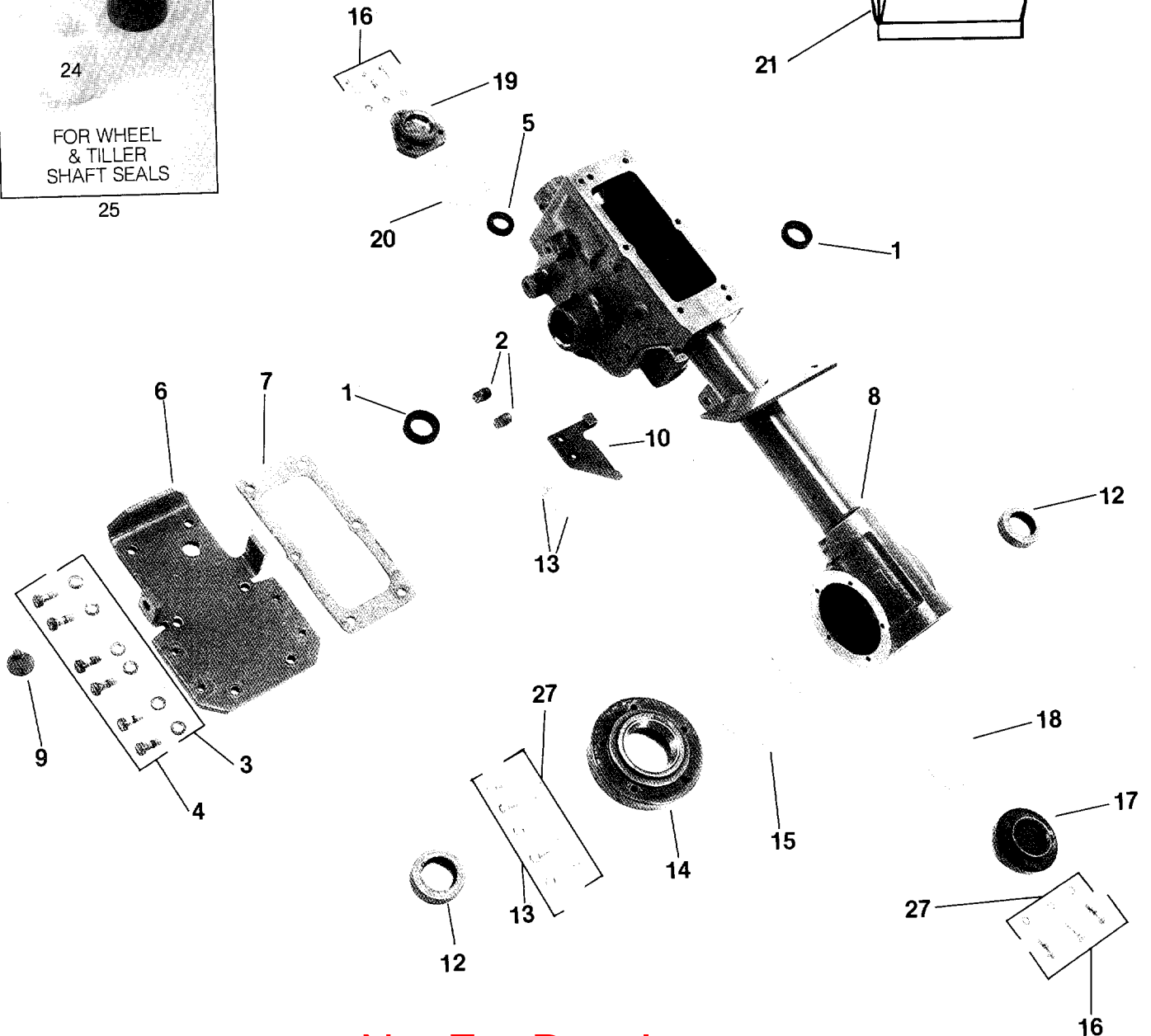
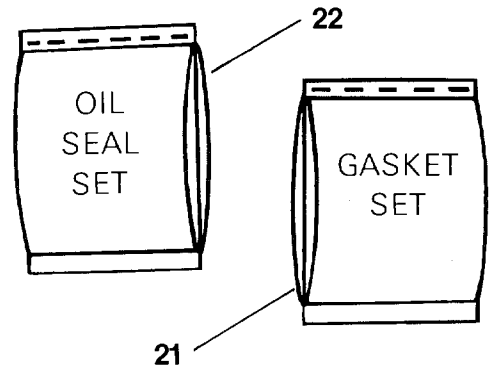
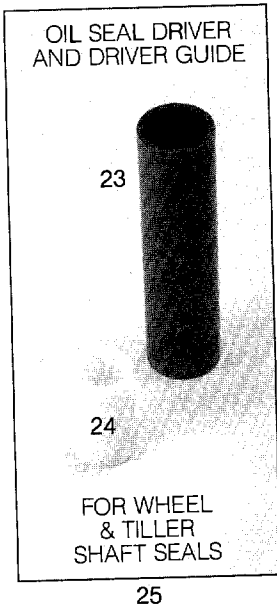
INDEX NO.	PART NO.	DESCRIPTION	NO. REQ'D
BOLO TINES, WHEELS			
1	9711	BOLT — hex head, $\frac{3}{8}$ "-16 x 1", grade 5, tine mounting	16
2	1270-2A	BOLO TINE—single, RIGHT HAND tine used on left side of tiller: incl. mounting hardware — two #9711 bolt (Index No. 1), two #9913 lockwasher (Index No. 4), two #9802 hex nut (Index No. 3)	8
3	9802	NUT—hex, $\frac{3}{8}$ "-16	16
4	9913	LOCKWASHER— $\frac{3}{8}$ "	16
5	9761	BOLT—hex head, $\frac{3}{8}$ "-16 x 2", grade 8 (holder to tiller shaft).	2
5A	9807	LOCKNUT—hex, $\frac{3}{8}$ "-16	2
6	1270-1A	BOLO TINE—single, LEFT HAND tine used on right side of tiller: incl. mounting hardware — two #9711 bolt (Index No. 1), two #9913 lockwasher (Index No. 4), two #9802 hex nut (Index No. 3)	8
8	20770	TINE HOLDER— for bolo tines, left and right sides	2
....	1348	REPLACEMENT SET OF 16 BOLO TINES — including eight right-hand tines; eight left-hand tines; and all assembly hardware (16 each 9711 bolt, 9802 hex nut, 9913 lockwasher)	1



9	20678-01	WHEEL & TIRE ASSEMBLY—left side, 4.10 x 6" tire mounted on 6" wheel, tubeless pneumatic (10-20 lbs. air required), tractor-tread . . .	1
10	20678-02	WHEEL & TIRE ASSEMBLY—right side, same specs. as above	1
11	9741	BOLT— $\frac{5}{16}$ "-18 x 2" (Grade 5), secures wheel hub to wheel shaft	2
12	9808	LOCKNUT— $\frac{5}{16}$ "-18	2

IMPORTANT: Left and right sides of tiller are determined by standing in the operator position and facing the direction of forward travel.

TRANSMISSION HOUSING, COVERS, SEALS, GASKETS & PLUGS

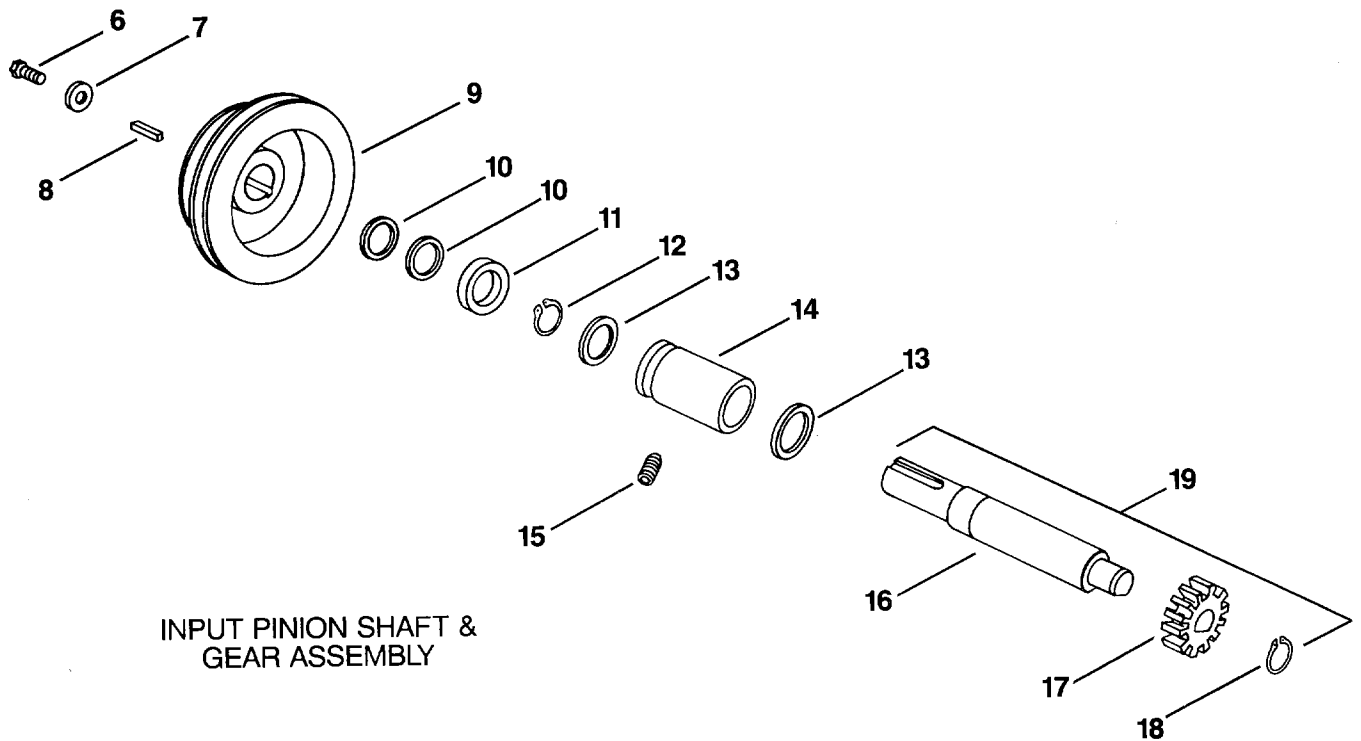
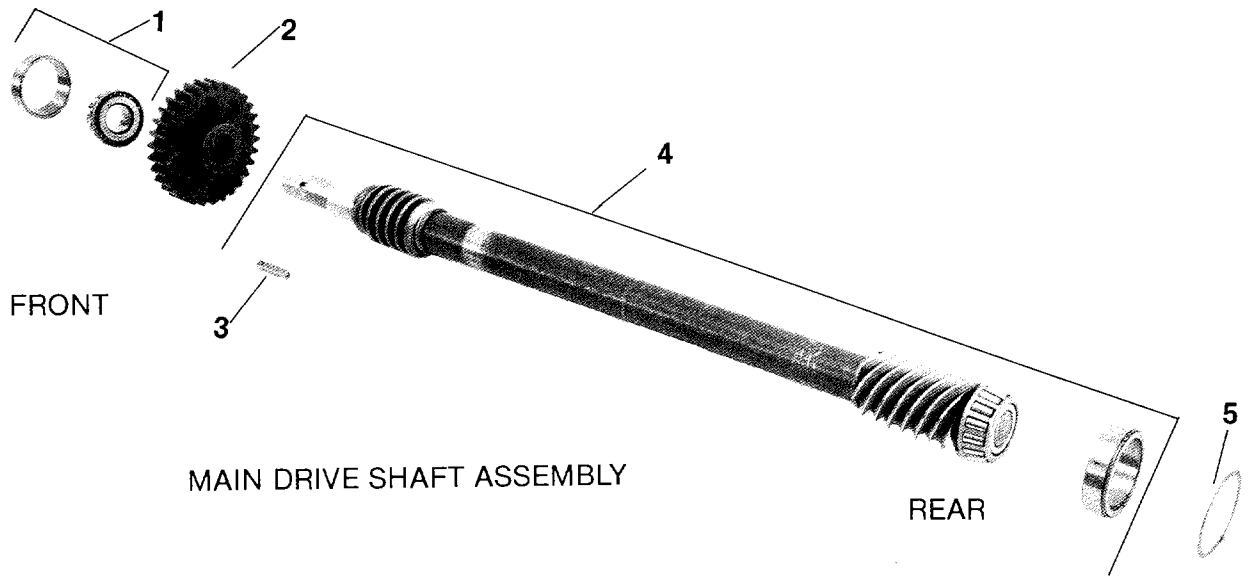


INDEX NO.	PART NO.	DESCRIPTION	NO. REQ'D
TRANSMISSION HOUSING, COVERS, SEALS, GASKETS & PLUGS			
1	9621	OIL SEAL — double lip, wheel shaft, right and left sides	2
2	9726	PLUG — pipe, 1/4", oil level hole and gear oil drain hole	2
3	9912	LOCKWASHER — 5/16", transmission top cover	6
4	9703	BOLT — hex head, 5/16" - 18 x 3/4", transmission top cover	6
5	9600	OIL SEAL — input pinion shaft, front of transmission	1
6	20692	COVER — top of transmission	1
7	20694	GASKET — transmission top cover	1
8	20778	TRANSMISSION CASE, REAR HOUSING & TUBE ASSEMBLY — includes one #9429 rear bearing race	1
9	9467	PLUG — for gear oil fill hole on transmission cover	1
10	20756	PLATE — mounts on transmission housing (for wheel drive cable)	1
12	9623	OIL SEAL — tiller shaft, left and right sides	2
13	9780	BOLT — hex head, flanged self-locking, 1/4" - 20 x 5/8"	7
14	10812	COVER — tiller housing, left side, includes one rear bearing race and five #9780 flanged, self-locking hex head bolts	1
15	1129-1	GASKET — tiller housing cover, .010" thick (fits all covers)	as req'd.
16	9773	BOLT — hex head, flanged self-locking, 1/4" - 20 x 7/8"	6
17	1115	CAP — rear bearing	1
18	1124-2	GASKET — rear bearing cap, .010" thick	as req'd.
19	20695	CAP — front bearing	1
20	20693-2	GASKET — front bearing cap, .010" thick	1
21	10358	GASKET SET — includes: one #20694 (Index No. 7); one #20693-2 (Index No. 20); two 1129-1 (Index No. 15); one #1129-2 (same as #1129-1 only .030" thick); two #1124-2 (Index No. 18)	as req'd.
22	10813	OIL SEAL SET — includes two #9621 (Index No. 1) two #9623 (Index No. 12); one #9600 (Index No. 5); one #9622 (Page 17, Index No. 13)	as req'd.
23	4921-1	OIL SEAL DRIVER — for wheel shaft and tiller shaft oil seal installation (use with Part #4921-2)	as req'd.
24	4921-2	OIL SEAL DRIVER GUIDE — to install wheel shaft and tiller shaft oil seals (use with Part #4921-1)	as req'd.
25	4921	OIL SEAL DRIVER & GUIDE SET — includes one #4921-1 driver and one #4921-2 Guide	as req'd.
27	WASHER — nylon, not reusable (if bolts with these washers are removed, discard washers, then apply non-hardening gasket sealant to bolt threads and replace bolts securely)	see kit below
....	10148	NYLON WASHER KIT — incl. eight nylon washers (Index No. 27)	as req'd.

Not For Resale

www.SmallEngineDiscount.com

DRIVE SHAFT, INPUT PINION SHAFT & GEAR ASSEMBLIES



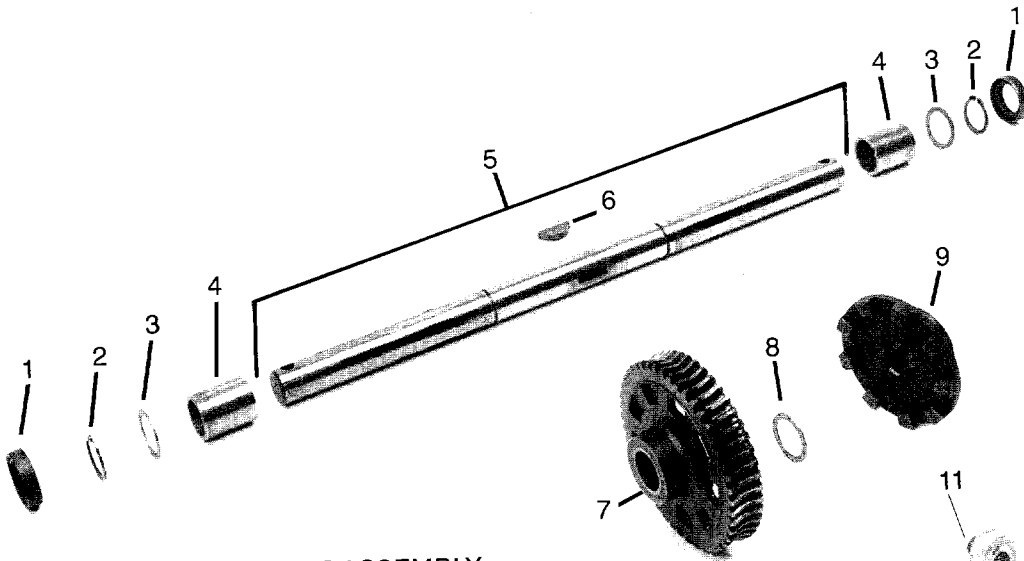
INDEX NO.	PART NO.	DESCRIPTION	NO. REQ'D
DRIVE SHAFT			
1	1714	BEARING — tapered roller with race (front of drive shaft)	1
2	20718	GEAR — spur, main drive shaft	1
3	9301	KEY — $\frac{3}{16}$ " sq. x 1"	1
4	10360	DRIVE SHAFT — inertia welded shaft with welded, single-lead hardened steel worm at front to drive the wheel worm gear, and welded six-lead hardened steel worm at rear to drive the tiller gear (also includes pressed-on #1714 rear roller bearing, race for bearing, and #9301 key)	1
5	1224-1	SHIM — rear bearing cap, .010" thick (see Note 1 below)	as req'd.
5	1224-2	SHIM — same as above, but .030" thick (see Note 1)	as req'd.
5	1224-3	SHIM — same as above, but .005" thick (see Note 1)	as req'd.
....	1325C	SHIM SET — includes the following shims: two #1224-1; two #1224-2; one #1224-3	as req'd.

NOTE 1 — Shim between drive shaft rear bearing and rear bearing cap to achieve 5-to-10 thousandths of an inch (.005"-.010") end play on drive shaft.

INPUT PINION SHAFT & GEAR ASSEMBLY

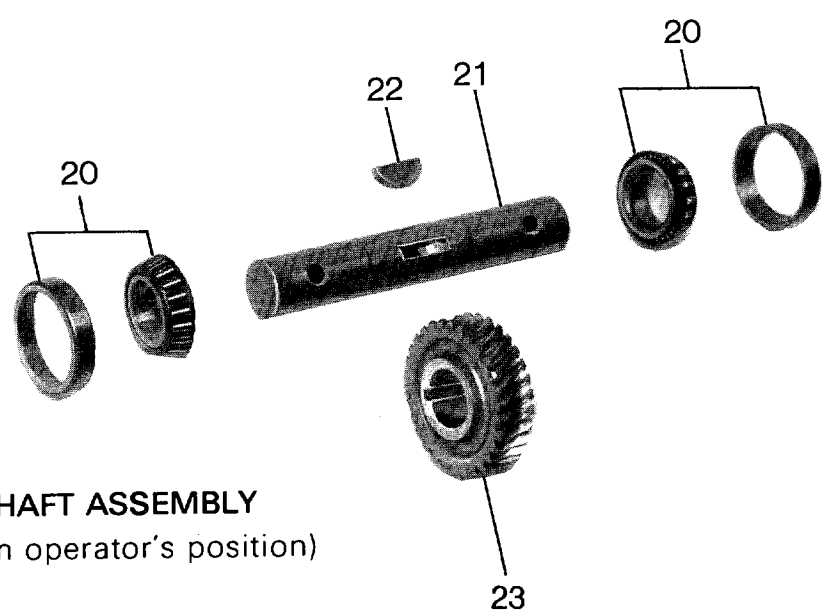
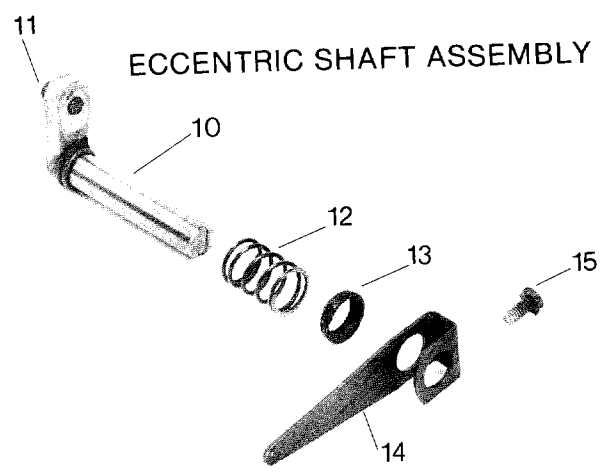
6	9655	BOLT — hex head, $\frac{5}{16}$ "-24 x $\frac{3}{4}$ " (Grade 5)	1
7	9944	WASHER — disc spring (concave surface faces pulley)	1
8	9301	KEY — $\frac{3}{16}$ " sq. x 1"	1
9	20766	PULLEY — transmission drive pulley, 2 grooves (one for forward speed; one for reverse speed)	1
10	1440	WASHER — support	2
11	9600	OIL SEAL — input pinion shaft, front	1
12	9500	RING — retaining (snap ring), external	1
13	9953	WASHER — thrust	2
14	9428	BUSHING —	1
15	9677	SET SCREW — $\frac{5}{16}$ "-18 x $\frac{3}{8}$ "	1
16	20791	INPUT PINION — steel shaft	1
17	20792	GEAR — input pinion	1
18	9093	RING — retaining (snap ring), external	1
19	20799	PINION ASSEMBLY — includes #20791 input pinion shaft, #20792 gear, and #9093 retaining ring	as req'd.

WHEEL SHAFT, ECCENTRIC SHAFT & TILLER SHAFT ASSEMBLIES



WHEEL SHAFT ASSEMBLY
(Viewed from operator's position)

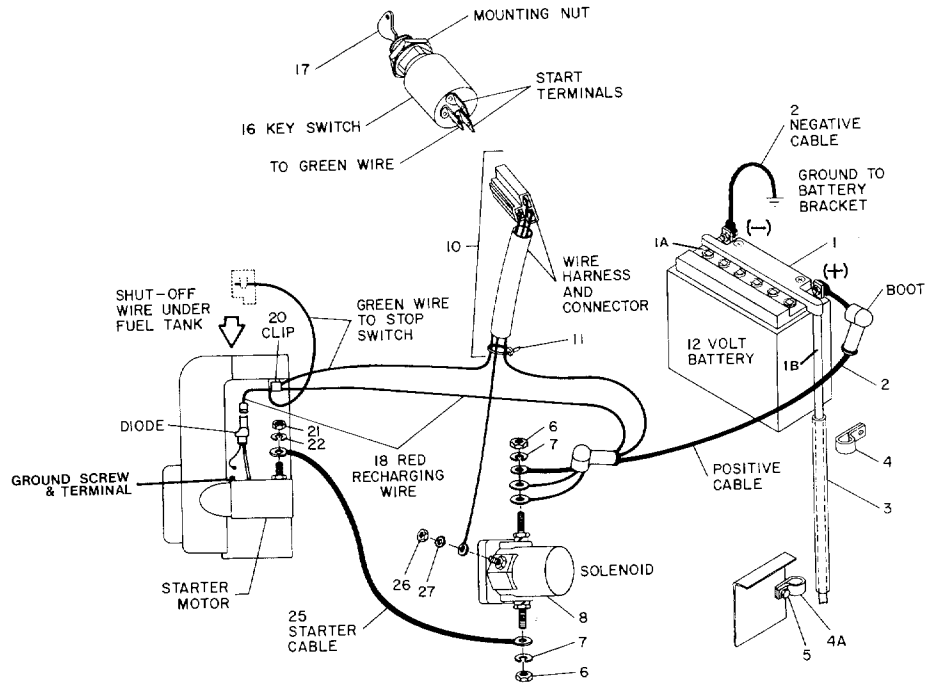
ECCENTRIC SHAFT ASSEMBLY



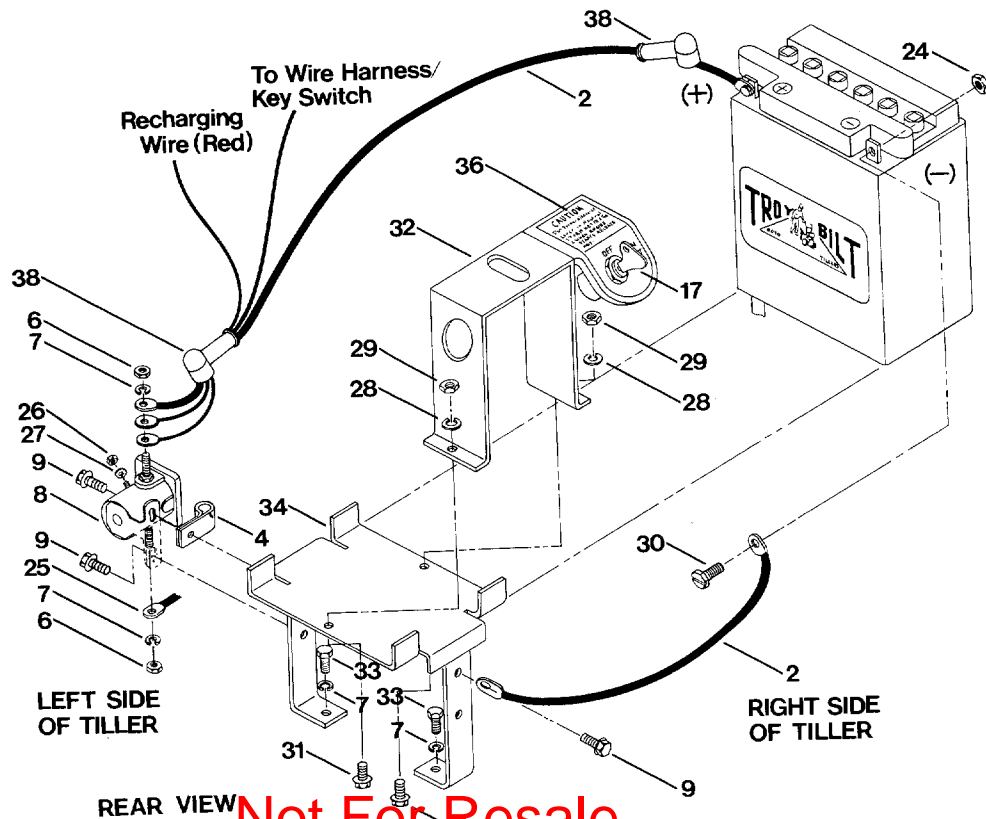
TILLER SHAFT ASSEMBLY
(Viewed from operator's position)

INDEX NO.	PART NO.	DESCRIPTION	NO. REQ'D
WHEEL SHAFT, ECCENTRIC SHAFT & TILLER SHAFT ASSEMBLIES			
1	9621	OIL SEAL — left and right sides	2
2	9511	RING — retaining, heavy-duty, external	2
3	1166-1	SHIM — 1 $\frac{1}{64}$ " I.D., .062" thick	as req'd.
....	1166-2	SHIM — as above, only .030" thick	as req'd.
....	1166-3	SHIM — as above, only .015" thick	as req'd.
....	1166-4	SHIM — as above, only .010" thick	as req'd.
4	1086	BUSHING —	2
5	20711	WHEEL SHAFT — incl. #9373 key ($\frac{1}{4}$ " x 1 $\frac{5}{16}$ ")	1
6	9373	KEY — Hi-Pro ($\frac{1}{4}$ " x 1 $\frac{5}{16}$ "), clutch to wheel shaft	1
7	20535	GEAR — wheel drive (worm gear), cast iron	1
8	9935	SHIM — between key and gear (1.016" I.D. x 1.468" O.D. x .062" thick)	1
9	20712	CLUTCH — wheel drive, cast iron	1
10	20699	ECCENTRIC SHAFT — wheel clutch shifting	1
11	1442	PIN — eccentric shaft	1
12	9055	SPRING —	1
13	9622	OIL SEAL — eccentric shaft	1
14	20757	LEVER — eccentric shaft	1
15	9743	BOLT — hex head, $\frac{1}{4}$ "-20 x $\frac{1}{2}$ "	1
20	10805	BEARING — tapered roller (with race), for tiller shaft	2
21	20798	TILLER SHAFT — incl. #1104 key	1
22	1104	KEY — woodruff, $\frac{1}{4}$ " x 1 $\frac{1}{4}$ " , for tiller shaft/worm gear	1
23	20776	WORM GEAR — bronze, tiller drive	1

ELECTRIC START ASSEMBLY



BATTERY MOUNTING BRACKET

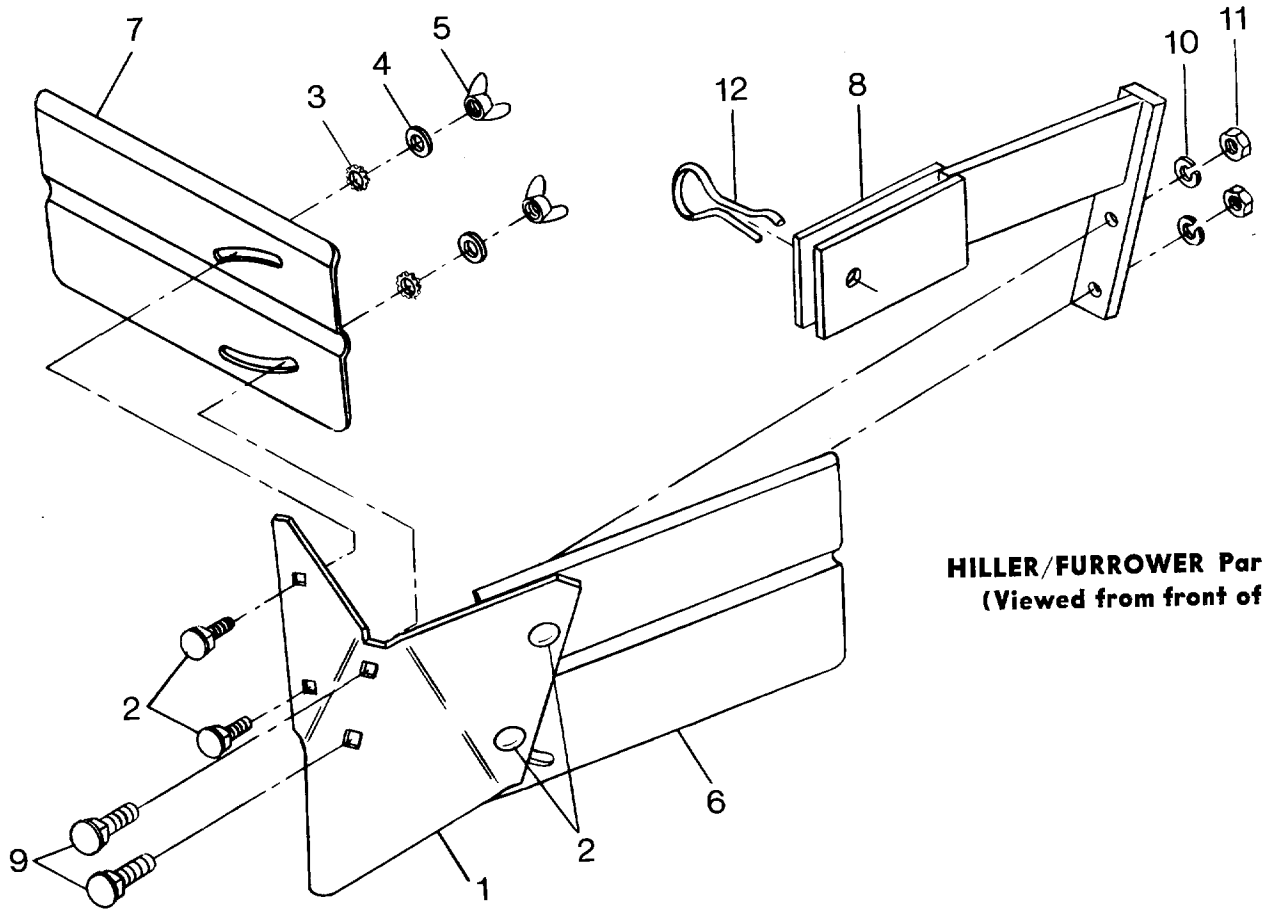


INDEX NO.	PART NO.	DESCRIPTION	NO. REQ'D
ELECTRIC START ASSEMBLY			
1	9234	BATTERY—12 volt, 12 ampere (incl. hardware to connect battery cable terminals to battery posts)	1
1A	9462	CAP—battery, yellow replacement cap	as req'd
	9248	CAP—battery, white replacement cap	as req'd
1B	9247	VENT TUBE—battery	1
2	9296	CABLE—battery (replaces #9223)	2
3	1475	VENT TUBE SHIELD—plastic	1
4	9224	CLIP—vent tube shield (small)	1
4A	1479	CLIP—vent tube shield (large)	1
5	9703	BOLT—hex head, $\frac{5}{16}$ "-18 x $\frac{3}{4}$ " (see Index No. 1, 2, 3—on pg. 6)	1
6	9826	NUT—hex, $\frac{5}{16}$ "-24	2
7	9912	LOCKWASHER— $\frac{5}{16}$ "	4
8	1959	SOLENOID—incl. nuts & washers for cables and wires	1
9	9552	SCREW—flanged hex head, self-threading $\frac{1}{4}$ "-20 x $\frac{1}{2}$ "	3
10	20424	WIRE HARNESS & CONNECTING TERMINAL ASSY. (avail. as complete unit only)—incl.: wire assy. w/connector to large solenoid stud (red wire); wire assy. w/connector to small solenoid stud (red wire); wire assy. w/connector to ground shut-off (green wire); tube; wire harness; connector; wire terminal	1
11	9265	TIE—plastic, wire retaining	1
16	9230	KEY SWITCH	1
17	9243	KEY—ignition (pair of keys incl.)	1
18	1554	WIRE ASSEMBLY—recharging	1
20	9218	CLIP—holds recharging line	2
21	NUT—hex, #10-24 (not avail. from Garden Way)	1
22	LOCKWASHER—#10 (not avail. from Garden Way)	1
24	NUT—cable to battery, metric size 6mm -1mm pitch tap, orig. equipment—not avail. from Garden Way (use #9800 below for equivalent replacement in U.S. size)	2
25	9222	CABLE—solenoid to starter	1
26	9809	NUT—hex, #10-32	1
27	9921	LOCKWASHER—external tooth, #10	1
28	9910	LOCKWASHER— $\frac{1}{4}$ "	2
29	9800	NUT—hex head, $\frac{1}{4}$ "-20	
30	BOLT—hex head/philips head combination, metric size 6mm -1mm pitch x 12mm lg. orig. equipment—not avail. from Garden Way (use #9775 below for equivalent replacement in U.S. size)	2
....	9775	BOLT—slotted hex head, $\frac{1}{4}$ "-20 x $\frac{1}{2}$ " (replacement hardware for cable to battery connection)	
31	9566	BOLT—round head, square neck $\frac{1}{4}$ "-20 x $1\frac{1}{4}$ "	2
32	20637	BATTERY HOLD-DOWN CLAMP— with attached Key Switch Plate (incl. #20418 decal)	1
33	9704	BOLT—hex head, $\frac{5}{16}$ "-18 x 1"	2
34	20723	BATTERY BRACKET	1
36	20418	DECAL—key switch instructions	1
38	9255	RUBBER BOOT—terminal insulating	2

Not For Resale

www.SmallEngineDiscount.com

HILLER/FURROWER ATTACHMENT



HILLER/FURROWER Part # 1356
(Viewed from front of tiller)

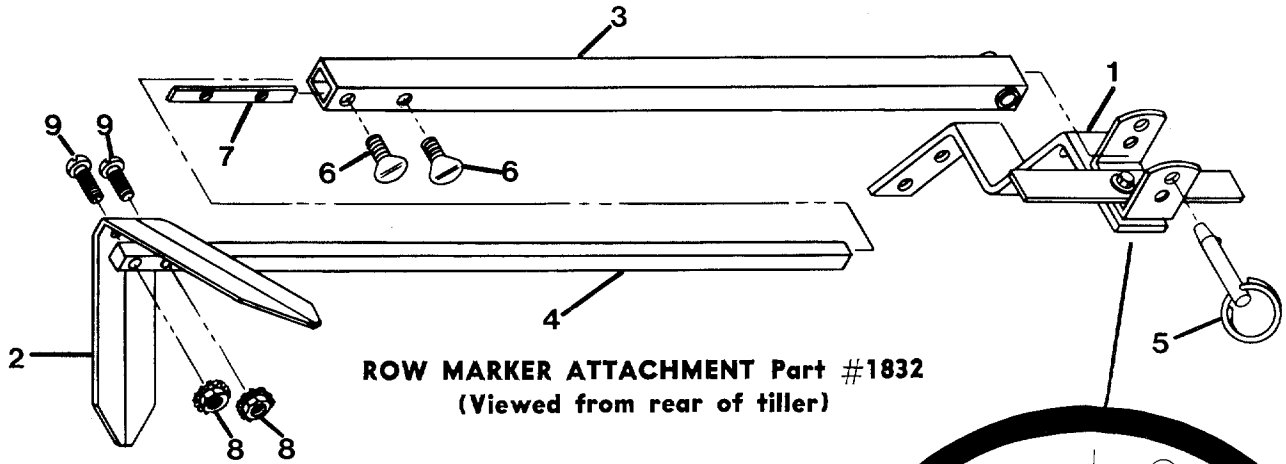
TILLER COVER ACCESSORY



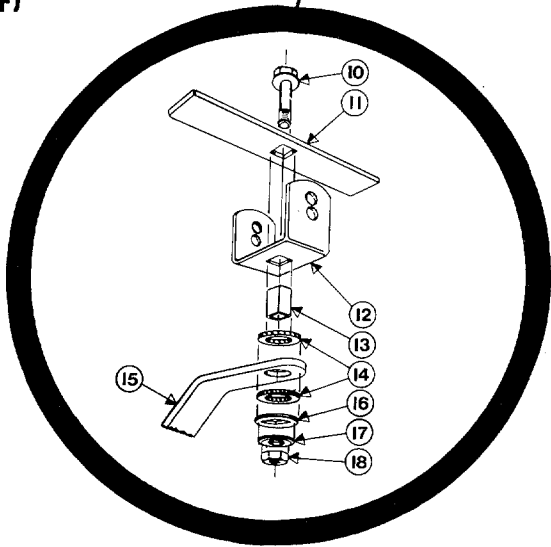
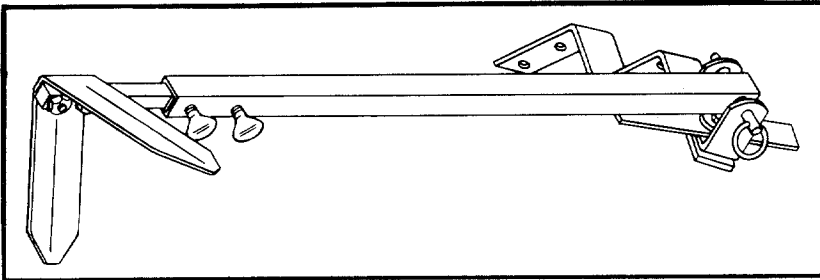
PONY TILLER COVER Part #20452

INDEX NO.	PART NO.	DESCRIPTION	NO. REQ'D
HILLER/FURROWER — Part #1356 COMPLETE ATTACHMENT			
1	1269	FURROWER — blade only	1
2	9765	CARRIAGE BOLT — $\frac{5}{16}$ "-18 x $\frac{3}{4}$ "	4
3	9919	STAR WASHER — external tooth, $\frac{5}{16}$ "	4
4	9902	PLAIN WASHER — $\frac{5}{16}$ " S.A.E.	4
5	9824	WING NUT — $\frac{5}{16}$ "-18	4
6	20390-01	HILLER WING — left	1
7	20390-02	HILLER WING — right	1
8	1197	BRACKET — blade mounting	1
9	9725	CARRIAGE BOLT — blade mounting, $\frac{3}{8}$ "-16 x $1\frac{1}{2}$ "	2
10	9913	LOCKWASHER — $\frac{3}{8}$ ", plated	2
11	9802	NUT — hex, $\frac{3}{8}$ "-16, plated	2
12	9318	PIN — clinch	1
....	1356	HILLER/FURROWER — complete attachment (owner must bolt blade to mounting bracket, and wings to blade). Instructions included..	1
TILLER COVER — Part #20452			
13	20452	TILLER COVER — complete (for Pony Model only)	1

ROW MARKER ATTACHMENT

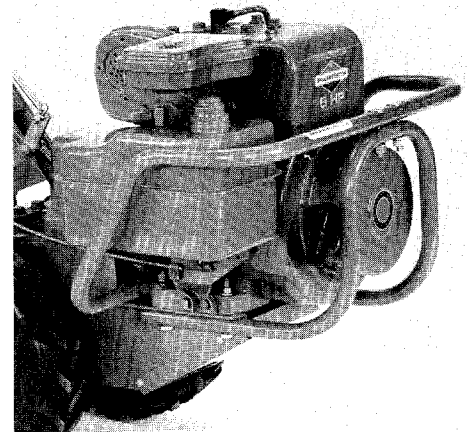
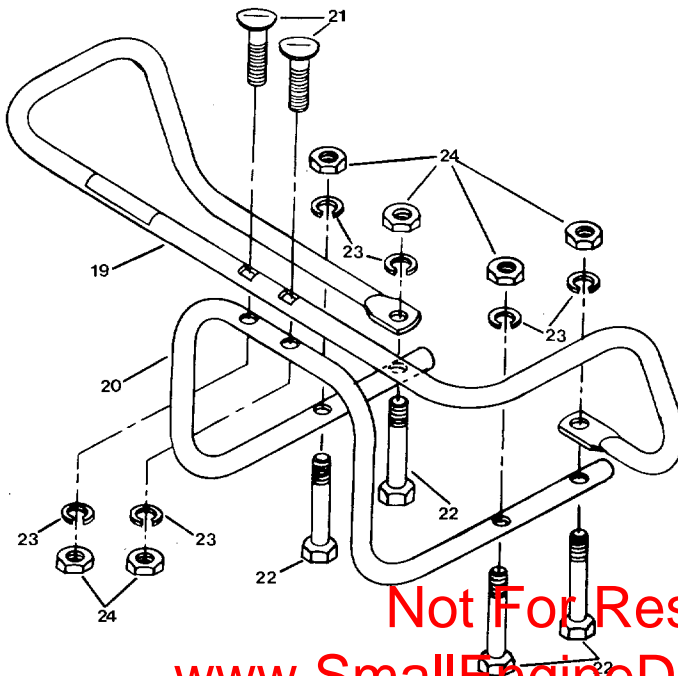


ROW MARKER ATTACHMENT Part #1832
(Viewed from rear of tiller)



Main Support/Yoke Assembly

BUMPER ATTACHMENT



BUMPER ATTACHMENT Part #1875
(Viewed from front of tiller)

Not For Resale
www.SmallEngineDiscount.com

INDEX NO.	PART NO.	DESCRIPTION	NO. REQ'D
ROW MARKER ATTACHMENT — Part #1832 (Complete — Attaches to Furrower Attachment)			
1	1569	MAIN SUPPORT & YOKE ASSEMBLY — complete. Incl. Index No's. 10, 11, 12, 13, 14, 15, 16, 17, 18	1
2	1594	MARKER BLADE — blade only	1
3	1597	MARKER ARM — main arm	1
4	1570	MARKER ARM — extension arm w/stop pin	1
5	9347	HITCH PIN — (included in Hardware Package #1837)	1
6	9786	THUMBSCREW — 1/4"-20 x 1/2", not avail. sep. (see Hardware Package #1837)	2
7	1596	NUT BAR — (included in Hardware Package #1837)	1
8	9828	NUT — hex, 10-24 with attached star washers, not avail. sep. (see Hardware Pkg. #1837)	2
9	9721	SCREW — round hd., 10-24 x 1", not avail. sep. (see Hardware Package #1837)	2
....	1837	HARDWARE PACKAGE — includes: one #9347 Hitch Pin (Index 5), two #9786 Thumbscrews (Index 6), one #1596 Nut Bar (Index 7), two #9828 Hex Nuts (Index 8), two #9721 Screws (Index 9)	1
....	1851	ROW MARKER ATTACHMENT & PONY HILLER/FURROWER ATTACHMENT COMBINATION — complete: includes #1356 Pony Hiller/Furrower and #1832 Row Marker	1

ROW MARKER MAIN SUPPORT & YOKE ASSEMBLY — Part #1569

10	9784	BOLT — whiz lock, 3/8"-16 x 1 1/2"	1
11	1593	STOP BAR	1
12	1592	YOKE	1
13	1591	TUBE KEY — square	1
14	1590	WASHER — friction	2
15	1588	MAIN SUPPORT	1
16	1589	WASHER — square hole	1
17	9925	WASHER — disc spring	1
18	9802	NUT — hex, 3/8"-16	1

BUMPER ATTACHMENT — Part #1875

19	20665	BUMPER — top section	1
20	20666	BUMPER — bottom section	1
21	9795	BOLT — curved head, 5/16"-18 x 2" (special bolt); also see #1874 Hardware Kit)	2
22	9557	BOLT — hex hd., 5/16"-18 x 2 1/2", not avail. sep. (order #1874 Hardware Kit)	4
23	9912	LOCKWASHER — 5/16", not avail. sep. (order #1874 Hardware Kit)	6
24	9801	NUT — hex, 5/16"-18, not avail. sep. (order #1874 Hardware Kit)	6
....	1874	HARDWARE KIT — includes: two #9795 curved head bolts; four #9557 hex hd. bolts; six #9912 lockwashers; six #9801 hex nuts	1
....	1875	BUMPER ATTACHMENT — complete attachment with mounting instructions included	1

Note: Common hardware listed above as "not available separately" can be easily found at most good, local hardware stores.

NUMERICAL INDEX

HOW TO USE THIS INDEX

<p>Part No. 9338</p> <p>To find where this part appears...</p>	<p>Page & Index No. 3-10, 9-6</p> <p>look on this page... for this index number...</p>	<p>also on this page... for this number.</p>
---	---	--

Part No.	Page & Index No.	Part No.	Page & Index No.	Part No.	Page & Index No.
1086	17-4	4921-2	13-24	9552	5-28, 19-9
1104	17-22	4922	7	9553	5-27
1113-1	5-19	9017	7-31	9557	23-22
1117A	5-15A	9020B	7-9	9558	9-37
1119	5-11	9021B	7-9	9561	7-13
1120	5-12	9055	17-12	9566	19-31
1124-2	13-18	9057	3-14	9573	7-15A
1129-1	13-15	9060	9-38	9574	9-22
1138-2	7-26A	9089	7-26	9600	13-5, 15-1
1166-1	17-3	9090	9-4	9621	13-1, 17-1
1166-2	17	9091	9-5	9622	17-13
1166-3	17	9093	15-18	9623	13-12
1166-4	17	9117	3-2	9655	7-12A, 15-6
1197	21-8	9119	5-17	9677	15-15
1224-1	15-5	9120	5-16	9703	5-6, 7-2, 13-4, 19-5
1224-2	15-5	9191	3-20	9704	9-41, 19-33
1224-3	15-5	9198	3-12	9709	3-16
1269	21-1	9202	3-21	9711	3-7, 11-1
1270-1A	11-6	9211	3-4	9712	5-18, 9-29
1270-2A	11-2	9212	3-22	9721	23-9
1325C	15	9218	19-20	9722	3-23
1348	11	9222	19-25	9725	21-9
1356	21	9224	19-4	9726	5-13, 13-2
1440	15-10	9230	19-16	9741	9-19, 11-11
1442	17-11	9234	19-1	9743	17-15
1475	19-3	9243	19-17	9758	7-4
1479	19-4A	9247	19-1B	9761	11-5
1492	9-14	9248	19-1A	9765	21-2
1554	19-18	9255	19-38	9768	7-6
1569	23-1	9265	19-11	9775	19
1570	23-4	9296	19-2	9780	13-13
1588	23-15	9301	7-20, 15-3 15-8	9784	23-10
1589	23-16	9308	5-14	9786	23-6
1590	23-14	9318	21-12	9795	23-21
1591	23-13	9338	3-10, 9-6	9800	19-29
1592	23-12	9340	9-17	9801	7-5, 9-8, 23-24
1593	23-11	9347	23-5	9802	5-20, 9-23, 11-3, 21-11, 23-18
1594	23-2	9361	7-21	9807	7-30, 11-5A
1596	23-7	9373	17-6	9808	11-12
1597	23-3	9428	15-14	9809	3-25, 19-26
1714	15-1	9460	9-3	9811	7-29
1837	23	9462	19-1A	9824	21-5
1851	23	9467	13-9	9826	3-15, 19-6
1874	23	9479	9-11	9828	23-8
1875	23	9500	15-12	9837	3-9, 9-1
1959	19-8	9511	17-2	9848	7-24
2255	5-5	9514	9-34		
4921	13-25	9515	9-26		
4921-1	13-23				

Part No.	Page & Index No.	Part No.	Page & Index No.	Part No.	Page & Index No.
9900	7-17, 9-7	20505	9-35	20699	17-10
9902	21-4	20506	9-36	20703	3-5
9904	3-8	20513	9-2	20711	17-5
9909	3-24	20517-01	9-15	20712	17-9
9910	7-16, 19-28	20517-02	9-16	20718	15-2
9912	5-7, 7-3, 9-9, 13-3, 19-7, 23-23	20532	9-40	20719	9-39
9913	3-17, 5-3, 9-24, 11-4, 21-10	20535	17-7	20723	19-34
9919	21-3	20544	9-33	20732	5-1
9921	19-27	20545	9-10	20733	5-25
9925	23-17	20546	9-27	20734	3-3
9935	17-8	20552	9-30	20736	3-1
9944	7-12, 15-7	20553	9-25	20751	9-18
9953	15-13	20554	9-32	20753	3-6
9955	3-5A	20555	7-14	20754	7-1
10148	13	20565	7-18	20755	7-8
10357	3-13	20622	9-20	20756	13-10
10358	13-21	20637	19-32	20757	17-14
10360	15-4	20648	7-27	20765	7-19
10812	13-14	20655	7-23	20766	15-9
10813	13-22	20656	9-13	20770	11-8
20390-01	21-6	20657	9-12	20775	5-21
20390-02	21-7	20665	23-19	20776	17-23
20401	5-26	20666	23-20	20778	13-8
20418	19-36	20673	7-7	20791	15-16
20424	19-10	20678-01	11-9	20792	15-17
20452	21-13	20678-02	11-10	20797	3-11
20503	7-11	20680	9-28	20798	17-21
20504	9-31	20692	13-6	20799	15-19
		20693-2	13-20	50112	9-21
		20694	13-7	50134	7-10
		20695	13-19	EB94067	7-28

Not For Resale

www.SmallEngineDiscount.com

GARDEN WAY MANUFACTURING COMPANY

102nd St. and 9th Ave., Troy, NY 12180
(all states except Alaska call Toll-Free (800) 833-6990)
(in Alaska call collect (518) 235-6010)

GARDEN WAY CANADA

514 Carlingview Drive, Rexdale, Ontario M9W 5R3
(Call Collect (416) 674-1502)

