

Robin Industrial Engines®

OEM PARTS MANUAL

Model

EC10V EC100YV7100



Introduction

This catalog is designed to identify **Robin Engine** parts.

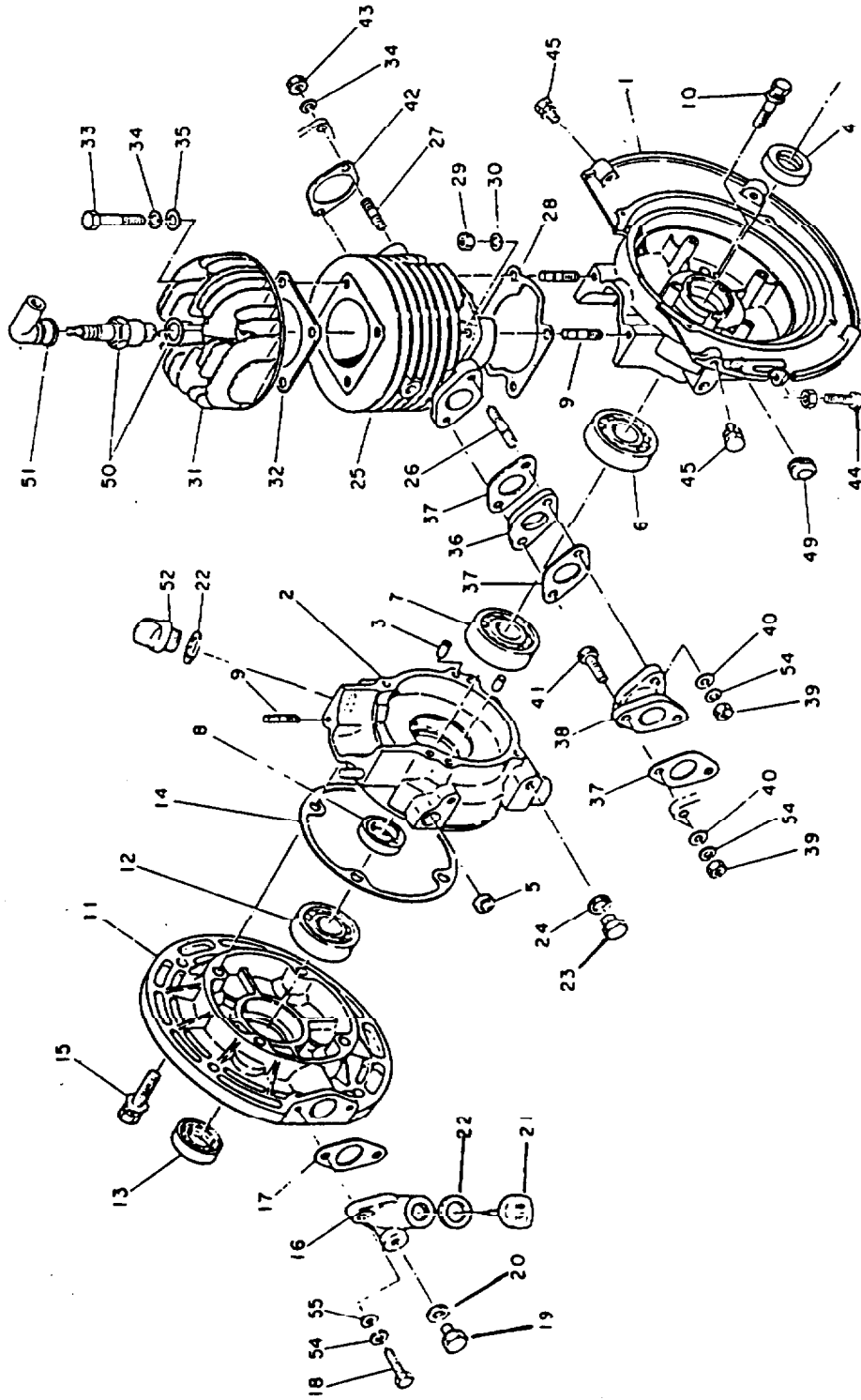
When ordering parts, it is always advisable to list the engine model, specification number and serial number. With this information, we can check your order for any incorrect part numbers. Use your Service Parts List to ensure proper part number and nomenclature identification.

ROBIN AMERICA INC. reserves the right to modify, alter and improve engines and parts. Part numbers and the structure of parts may change from those shown in this catalog.

Table of Contents

Crankcase and Cylinder	1
Crankshaft and Piston	2
Governor.....	3
Blower Housing and Muffler.....	4
Fuel Tank	5
Carburetor and Air Cleaner.....	6
Magneto.....	7
Recoil Starter.....	8

1. CRANKCASE & CYLINDER



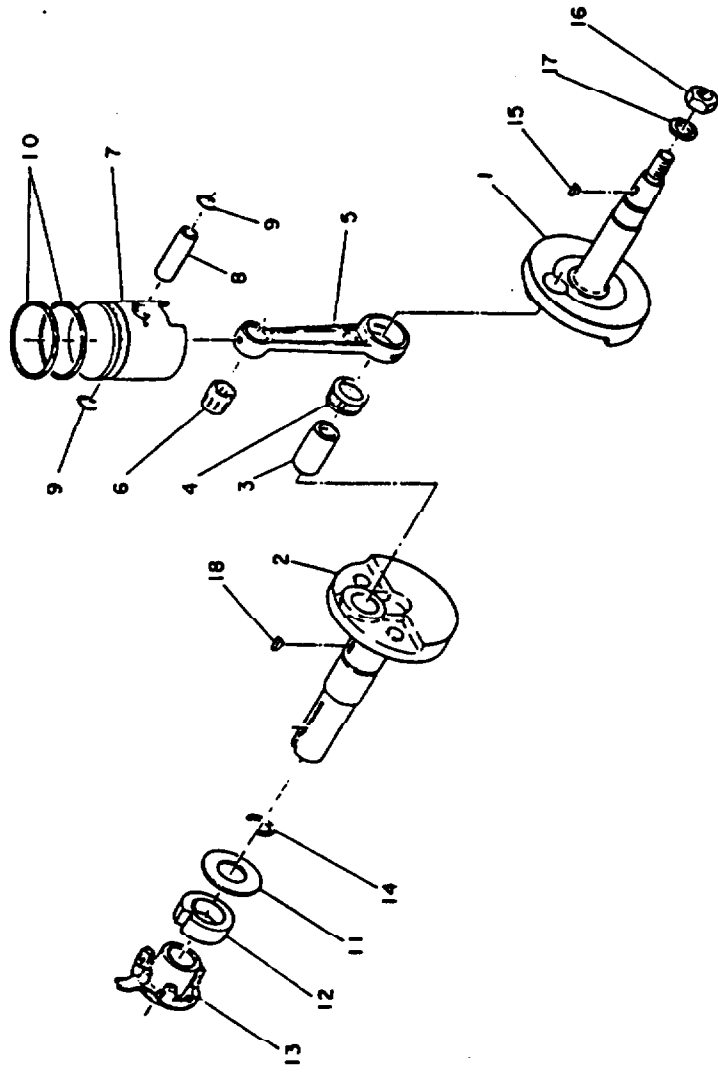
1. CRANKCASE & CYLINDER

Ref. No.	Parts Number	Parts Name	Q'ty	Description
* 1	1061061101	CRANK CASE COMPL.	1	Icc1.2~10
3	031 00600 10	DOWEL PIN	2	
4	044 02000 10	OIL SEAL	1	TB20328
5	044 00800 10	OIL SEAL	1	VC8144
6	060 02000 20	BALL BEARING	1	
7	060 02500 30	BALL BEARING	1	
8	044 02500 51	OIL SEAL	1	TB25347
9	010 50700 10	STUD	4	
10	001 14063 50	BOLT AND WASHER ASSY	4	
* 11	106 11701 01	CRANKCASE COVER COMPL.	1	Incl.12,13
12	060 02500 30	BALL BEARING	1	
13	044 02500 51	OIL SEAL	1	TB25347
14	105 15001 23	GASKET (case cover)	1	
15	001 14083 50	BOLT AND WASHER ASSY	4	
16	106 63701 03	OIL FILLER	1	
17	106 65001 03	GASKET (oil filler)	1	
18	001 65062 50	BOLT	2	
19	009 01100 00	FILLER	1	
20	003 71100 00	GASKET (fiber)	1	
21	106 63602 01	OIL GAUGE COMPL.	1	
22	021 01600 10	GASKET	2	
23	040 10800 10	PLUG	1	
24	021 00800 10	GASKET	1	

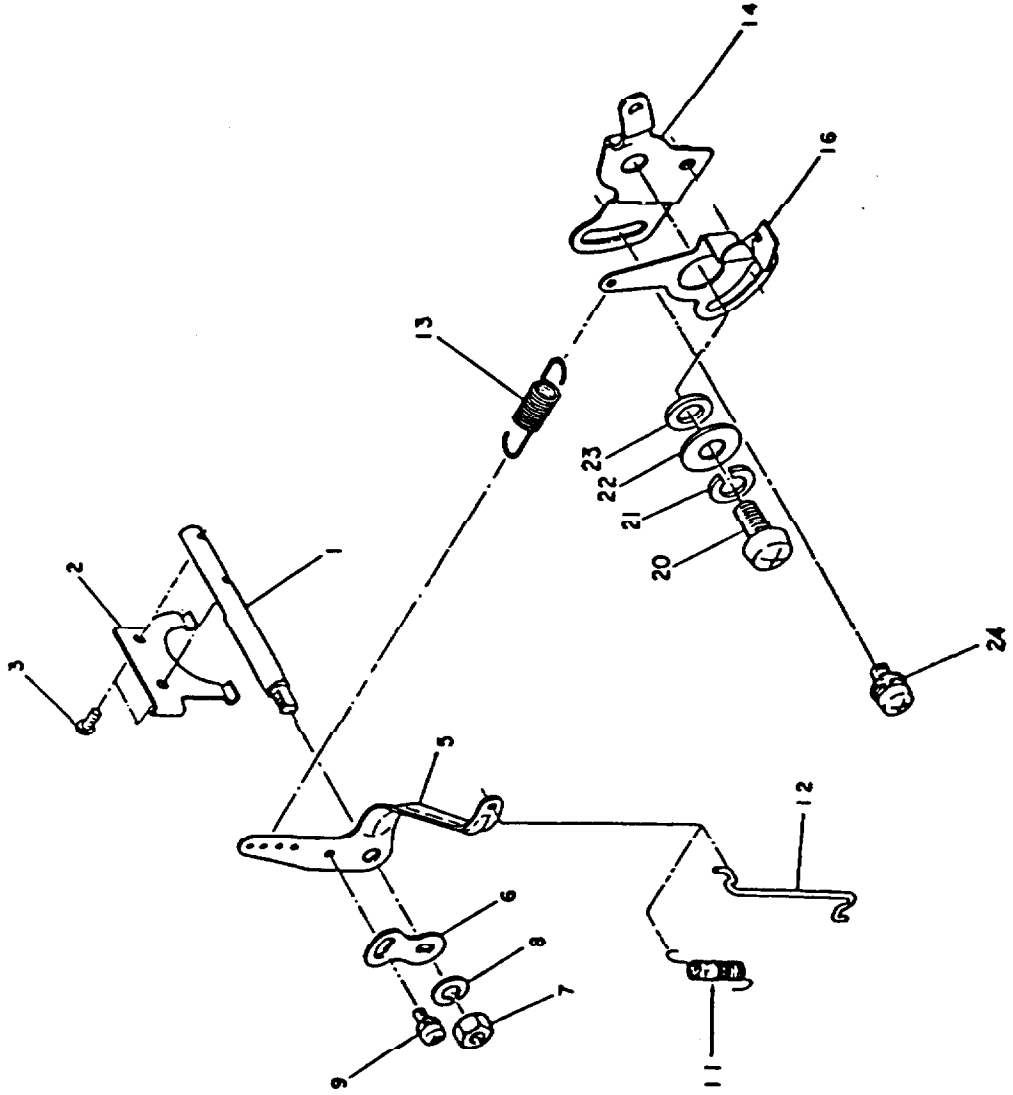
1. CRANKCASE & CYLINDER

Ref. No.	Parts Number	Parts Name	Qty	Description
* 25	106 12405 11	CYLINDER COMPL.	1	Incl. 26, 27
26	010 50602 00	STUD	2	
27	001 31083 01	STUD	2	
28	106 15001 23	GASKET (cylinder)	1	
29	017 00700 20	NUT	4	
30	003 20060 00	SPRING WASHER	4	
31	106 13001 13	CYLINDER HEAD	1	
32	106 15101 11	GASKET COMPL. (head)	1	
33	010 30800 10	BOLT	4	
34	003 20080 00	SPRING WASHER	6	
35	003 10080 00	WASHER	4	
36	106 32902 03	INSULATOR	1	
37	106 35001 03	GASKET (insulator)	3	
38	106 33008 03	INTAKE PIPE	1	
39	002 27060 00	NUT	4	
40	003 10060 00	WASHER	4	
41	001 65062 20	BOLT	2	
42	106 35102 01	GASKET COMPL. (exhaust)	1	
43	002 19080 00	NUT	2	
44	014 90600 40	ADJUSTING SCREW	1	
45	001 10061 20	BOLT AND WASHER ASSY	4	
49	024 10700 90	GROMMET	1	

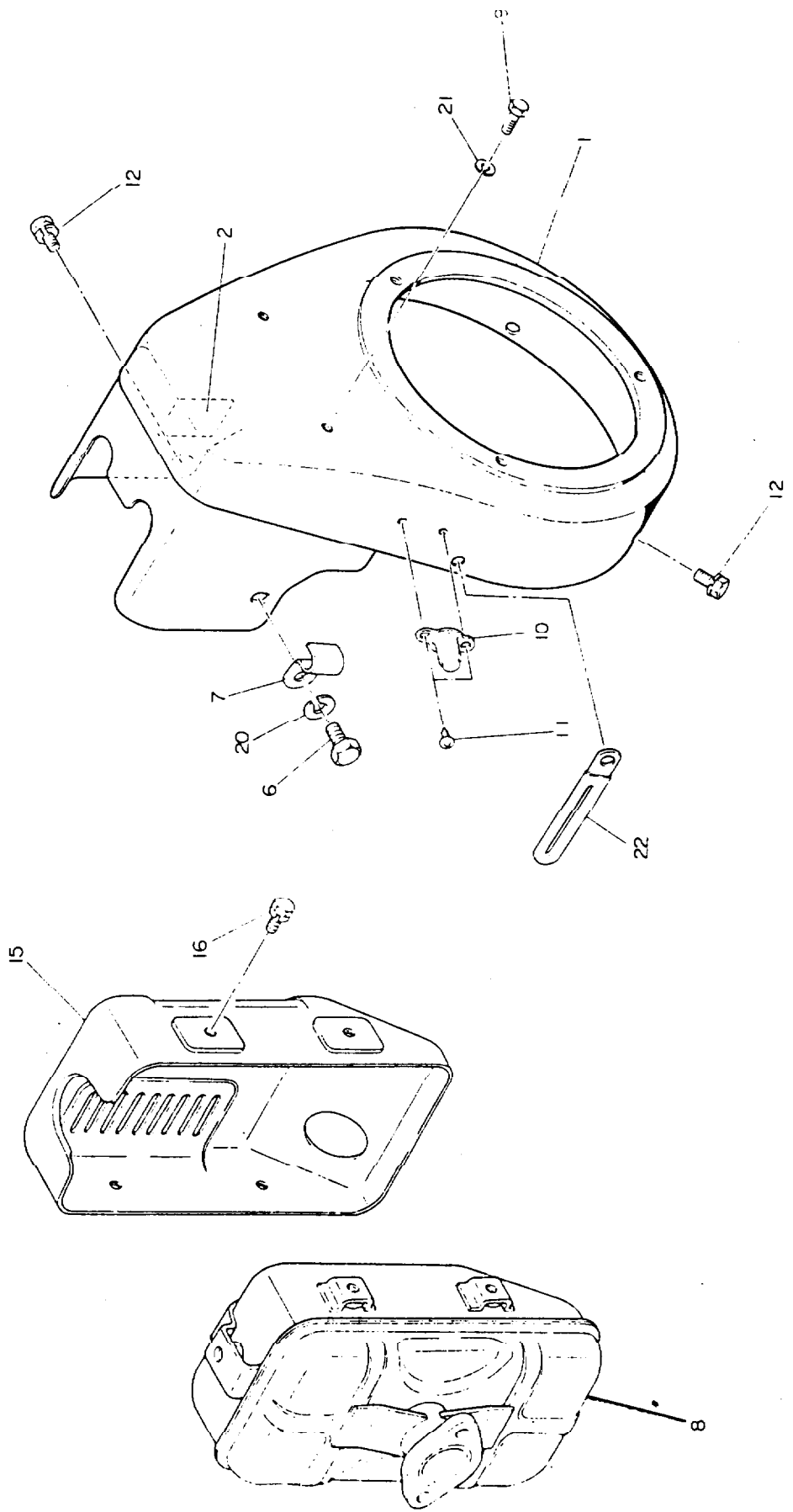
2. CRANKSHAFT & PISTON



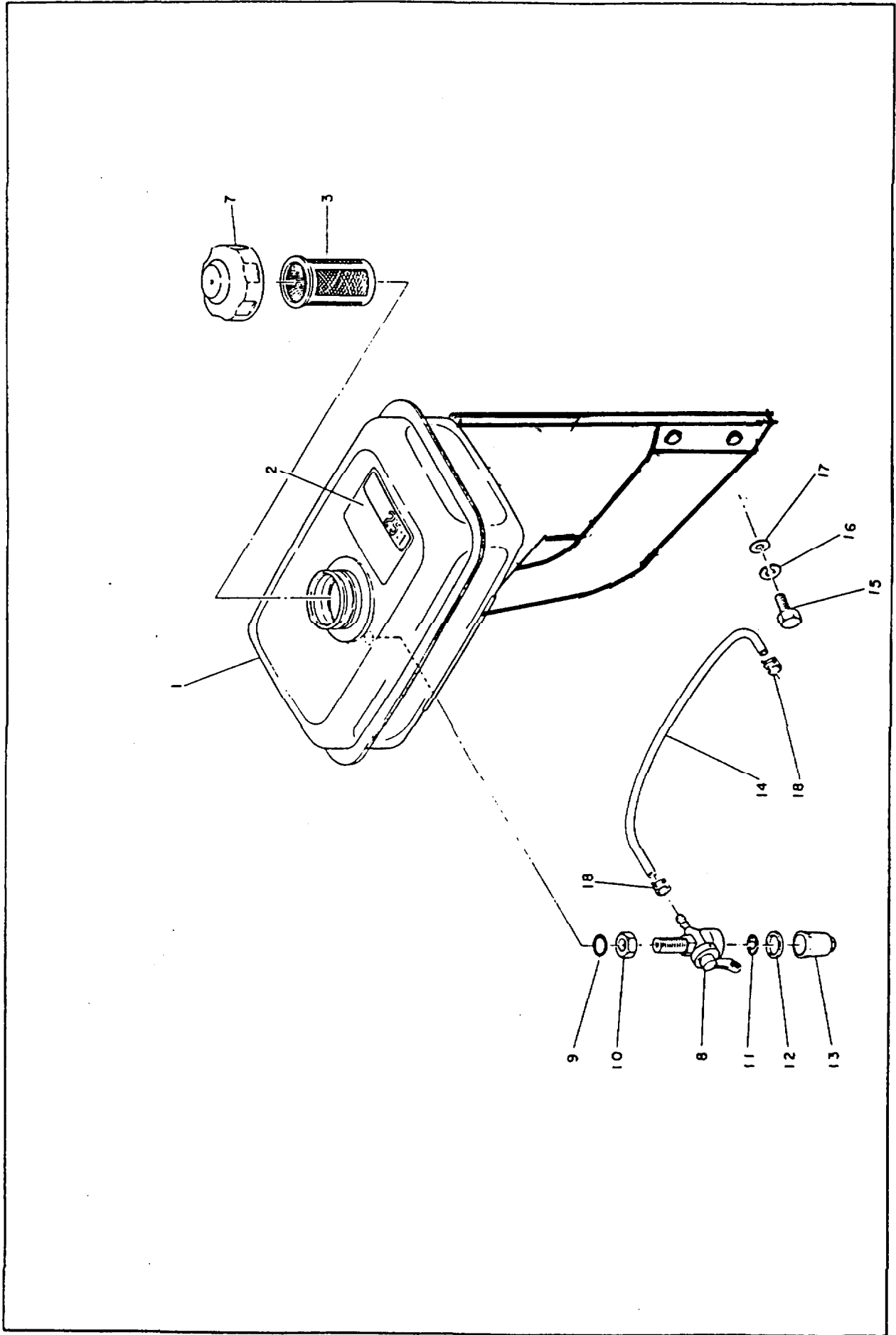
3. GOVERNOR



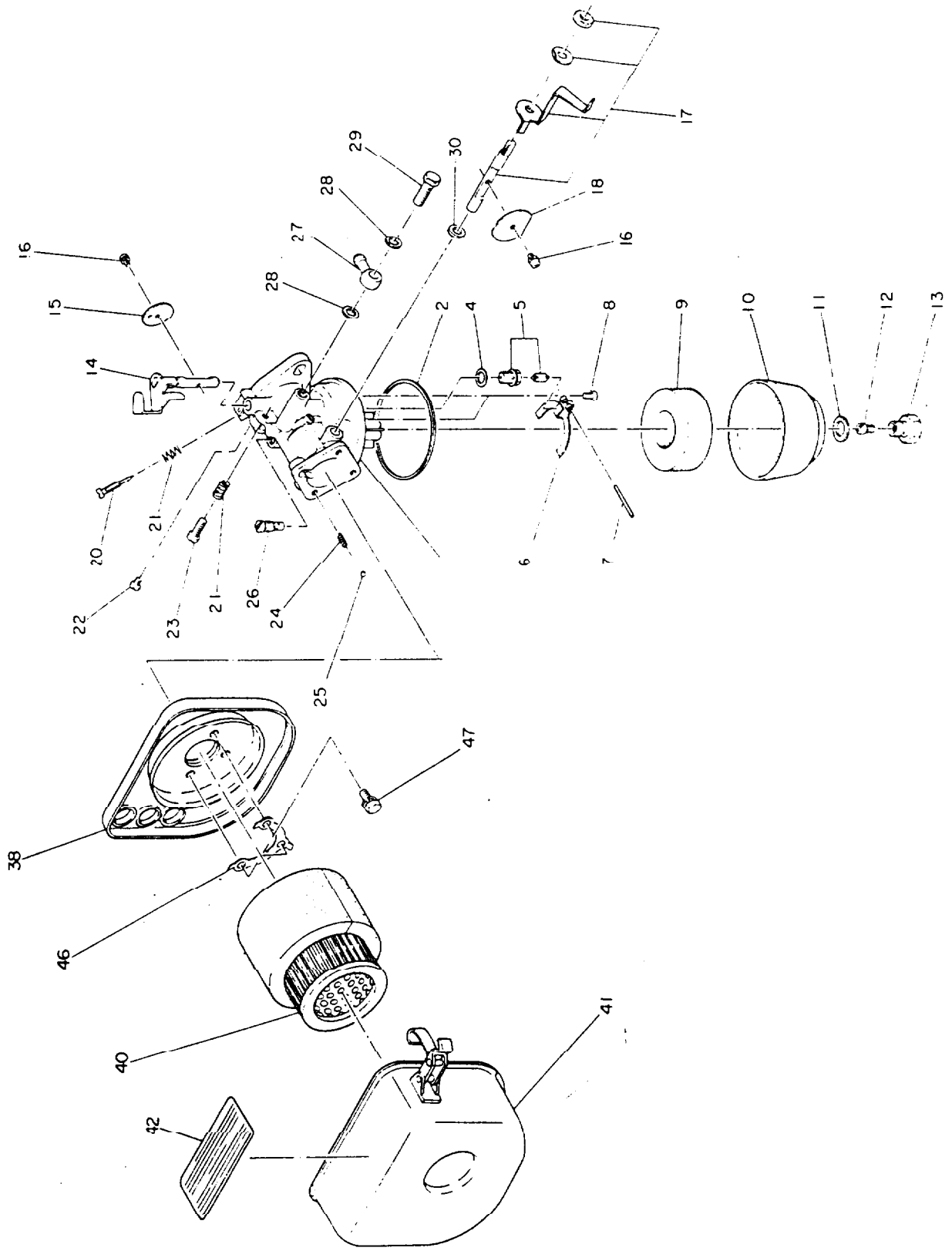
4. BLOWER HOUSING & MUFFLER



5. FUEL TANK



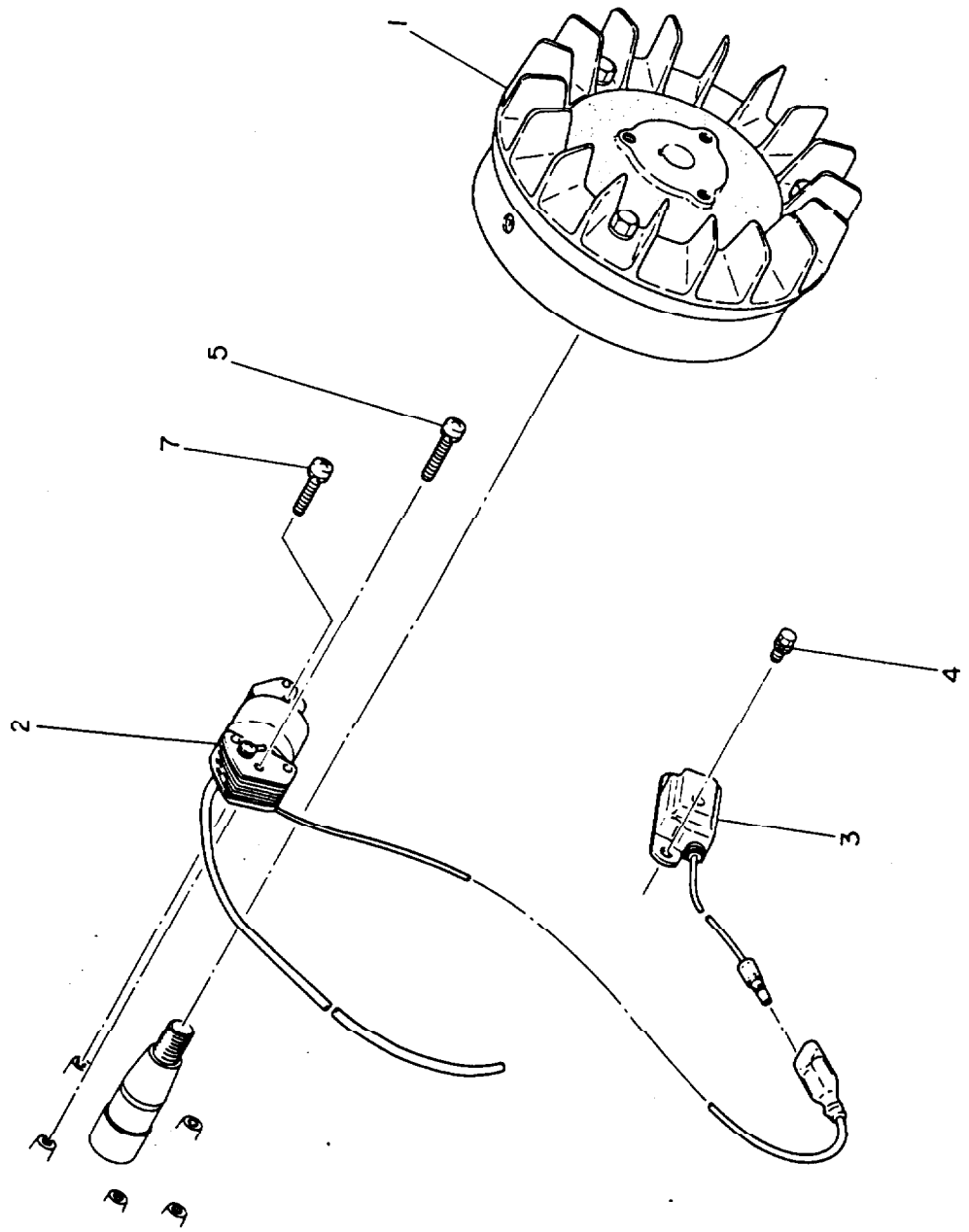
6. CARBURETOR & AIR CLEANER



6. CARBURETOR & AIR CLEANER

Ref. No.	Parts Number	Parts Name	Q'ty	Description
1	106.62316.00	CARBURETOR ASSY	1	Incl. 2-26, 28, 29, 30
2	106 62547 08	PACKING (float chamber)	1	
4	106 62381 08	PACKING	1	
5	128 62500 08	NEEDLE VALVE (1.5DIA)	1	
6	106 62511 08	FLOAT ARM	1	
7	106 62516 08	PIN (float)	1	
8	130 62358 08	SCREW	1	
9	106 62508 08	FLOAT	1	
10	106 62389 08	FLOAT CHAMBER	1	
11	209.2383.08	PACKING (main jet)	1	
12	207 62400.08	REVERSE MAIN JET	1	
13	206 62350 08	GUIDE HOLDER	1	
14	106 62534 08	SHAFT ASSY (throttle)	1	
15	106.62537.08	THROTTLE VALVE	1	
16	209 62351 08	SCREW AND WASHER ASSY	2	
17	106.62494.08	SHAFT ASSY (choke)	1	
18	106.62554.08	CHOKER VALVE	1	
20	106 62436 08	PILOT SCREW	1	
21	206 62446 08	SPRING	2	
22	106 62357 08	GUIDE SCREW	1	
23	106.62393.08	SCREW	1	

7. MAGNETO



8. RECOIL STARTER

