

ROBIN ENGINES

PARTS CATALOG

SPEC. No. EC120D45070

for MIKASA

EP

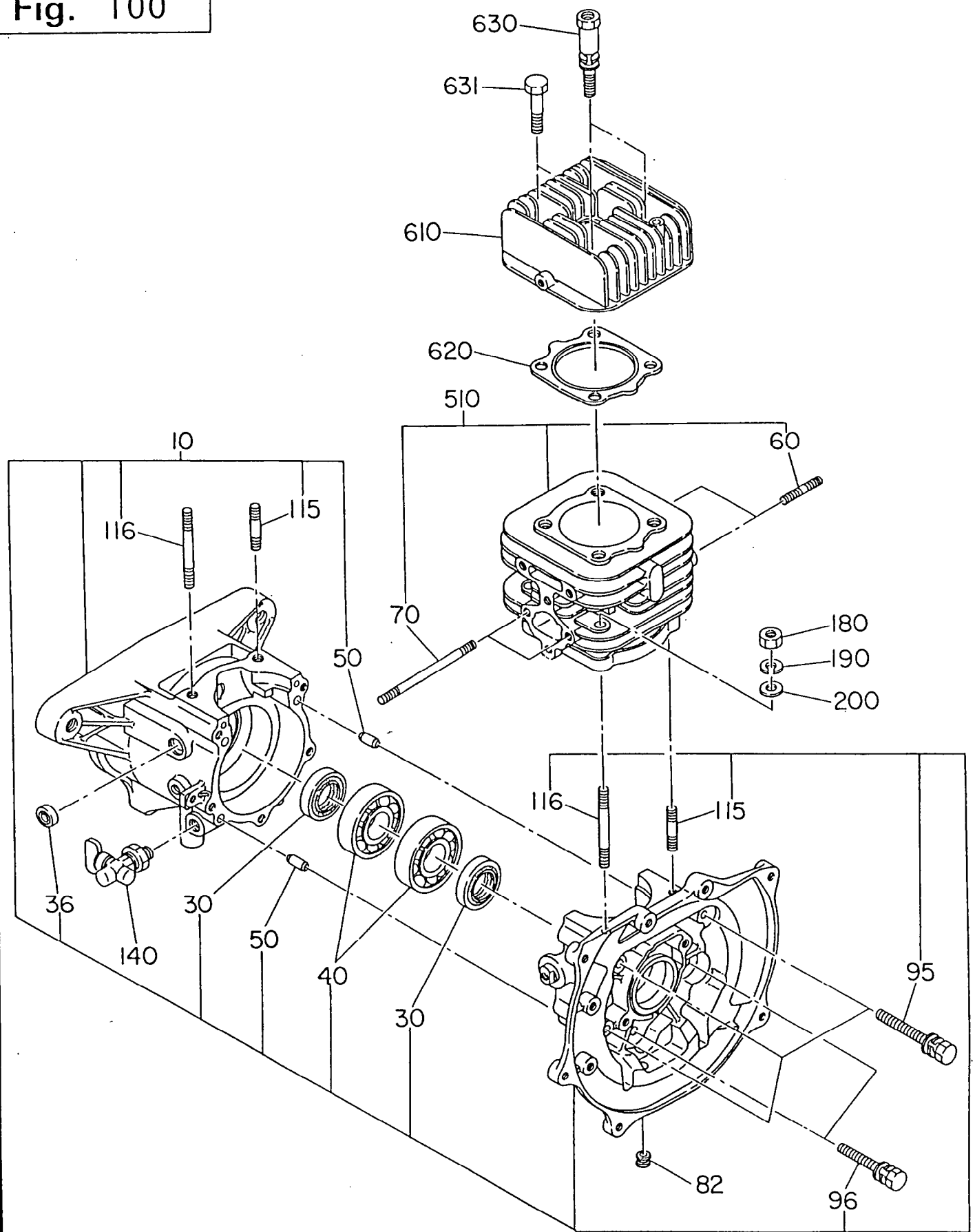
ISSUE EMD-5622

ISSUE DATE 1996. 8.

CONTENTS

SECTION NAME	Fig. No.
1. CRANK CASE	100
2. CRANKSHAFT, PISTON	200
3. INTAKE, EXHAUST	300
4. GOVERNOR, OPERATION	400
5. COOLING, STARTING	500
6. FUEL, LUBRICANT	600
7. ELECTRIC DEVICE	700
9. ACCESSORIES, LABEL	900
10. OTHERS.....	1000

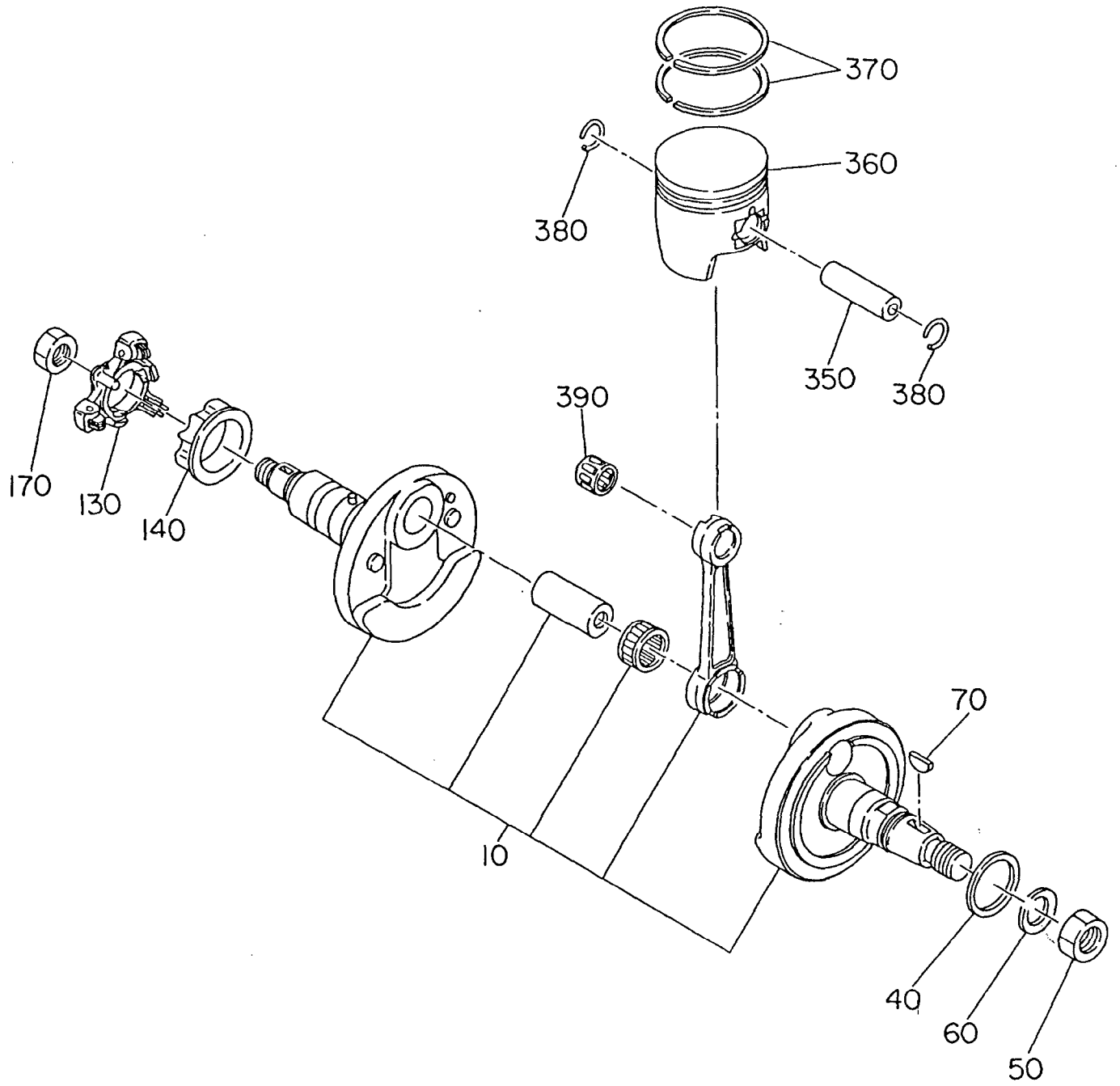
Fig. 100



1 CRANK CASE

REF.	PART NUMBER	PART NAME	QTY	REMARKS	CODE NO. FROM-TO	INTERCHANGEABLE PART NUMBER	UNIT PRICE	FIG.
10	161-10403-01	CRANK CASE CP	1		-			100
30	044-02501-80	OIL SEAL	2	TC25387	-			100
36	044-00800-10	OIL SEAL	1	VC8144	-			100
40	060-02500-10	BALL BEARING	2	BB6205C3	-			100
50	031-00600-10	DOWEL PIN	2		-			100
60	001-32083-51	STUD	2		-			100
70	010-50600-70	STUD	2		-			100
82	024-10600-10	GROMMET	1		-			100
95	001-14065-50	BOLT AND WASHER AY	3		-			100
96	001-14064-00	BOLT AND WASHER AY	2		-			100
115	001-32084-01	STUD	2		-			100
116	001-32086-51	STUD	2		-			100
140	064-30001-01	DRAIN COCK	1		-			100
180*	002-18080-00	NUT	4		-			100
190	003-20080-00	SPRING WASHER	4		-			100
200	003-10080-00	WASHER	4		-			100
510	161-12403-01	CYLINDER CP	1		-			100
610	157-13101-13	CYLINDER HEAD	1		-			100
620	161-15101-11	GASKET CP (HEAD)	1		-			100
630	013-00800-71	BOLT AND WASHER AY	2		-			100
631	001-14083-50	BOLT AND WASHER AY	2		-			100

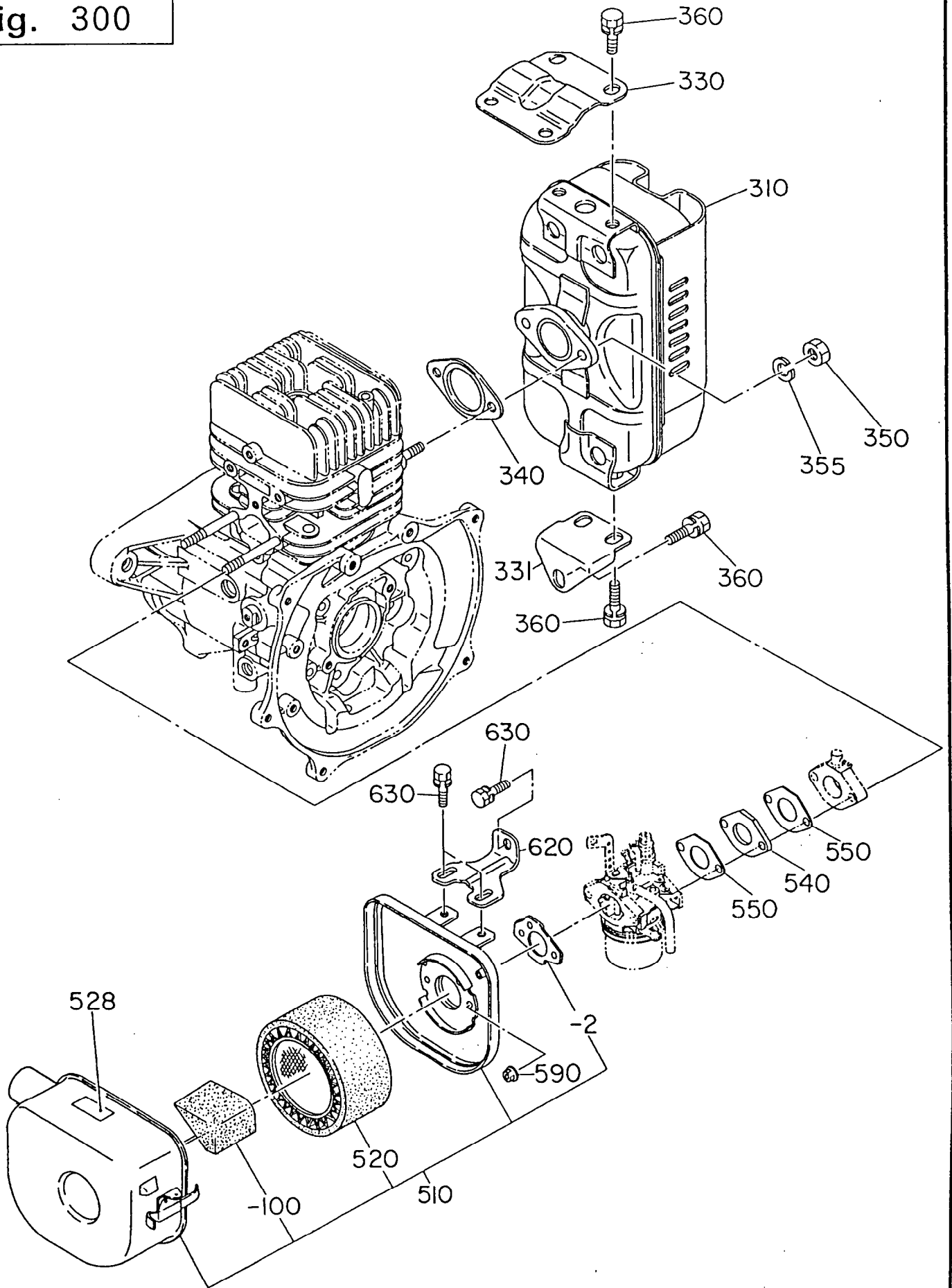
Fig. 200



2 CRANKSHAFT, PISTON

REF.	PART NUMBER	PART NAME	QTY	REMARKS	CODE NO. FROM-TO	INTERCHANGEABLE PART NUMBER	UNIT PRICE	FIG.
10	161-20402-00	CRANK SHAFT AY	1		-			200
40	161-25001-03	SPACER	3	T=0.1	-			200
	161-25002-03	SPACER	1	T=0.3	-			200
50	002-17140-00	NUT	1		-			200
60	003-20140-00	SPRING WASHER	1		-			200
70	005-32042-01	WOODRUFF KEY	1		-			200
130	157-41701-01	GOVERNOR PLATE CP	1		-			200
140	157-41901-03	GOVERNOR SLEEVE	1		-			200
170	017-31200-10	LOCK NUT	1		-			200
350	157-23301-03	PISTON PIN	1		-			200
360	161-23401-01	PISTON CP	1	STD.	-			200
	161-23402-01	PISTON CP	1	OVER SIZE 0.25MM	-			200
	161-23403-01	PISTON CP	1	OVER SIZE 0.50MM	-			200
370*	161-23501-07	PISTON RING SET	1	STD.	-			200
	161-23502-07	PISTON RING SET	1	OVER SIZE 0.25MM	-			200
	161-23503-07	PISTON RING SET	1	OVER SIZE 0.50MM	-			200
380	056-51200-10	CLIP	2		-			200
390	061-01200-10	NEEDLE BEARING	1		-			200

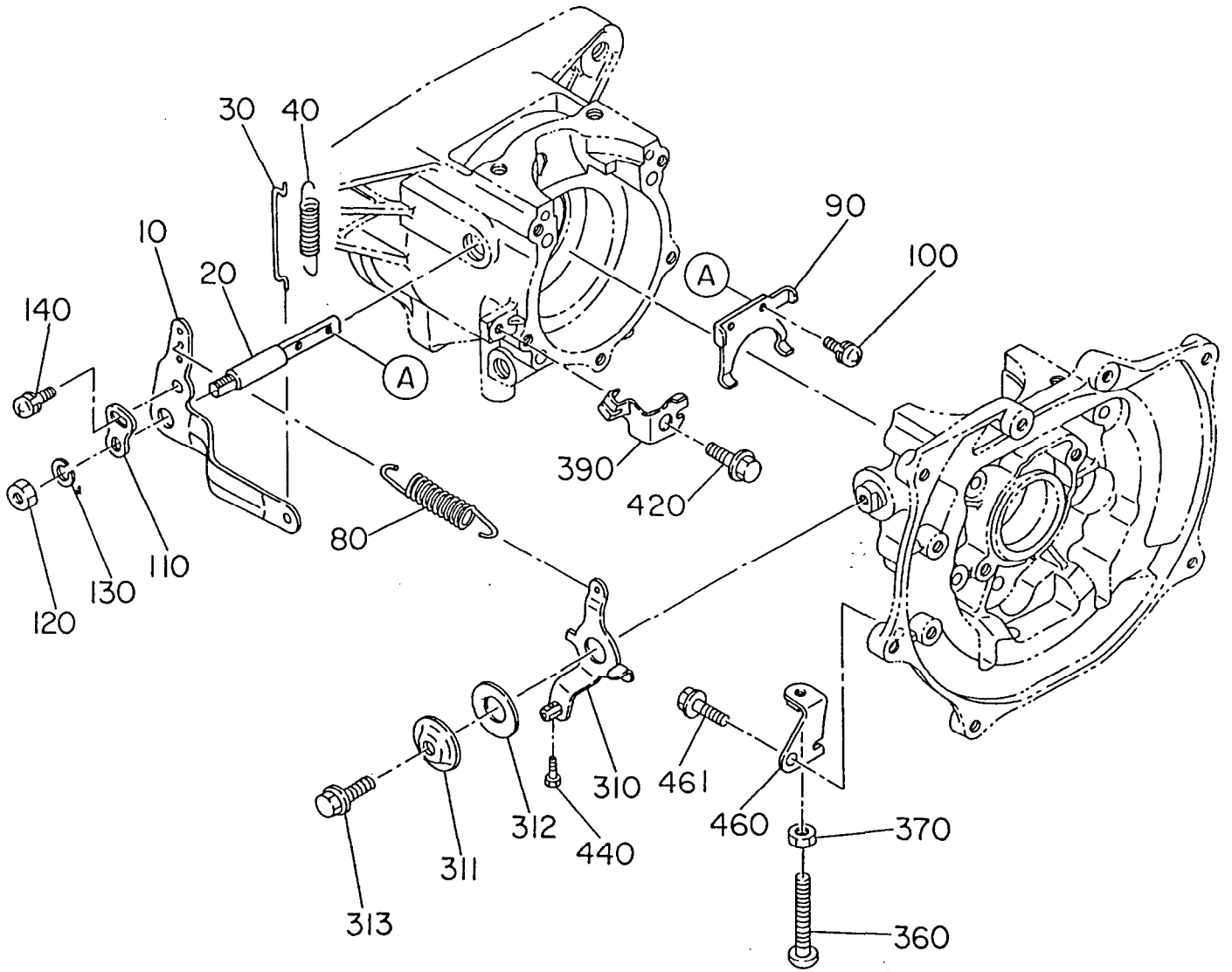
Fig. 300



3 INTAKE, EXHAUST

REF.	PART NUMBER	PART NAME	QTY	REMARKS	CODE NO. FROM-TO	INTERCHANGEABLE PART NUMBER	UNIT PRICE	FIG.
310	161-30101-11	MUFFLER CP	1		-			300
330	161-35001-01	BRACKET (MUFFLER)	1		-			300
331	161-35101-01	MUFFLER BRACKET (LO)	1		-			300
340	161-35201-11	GASKET CP (EXHAUST)	1		-			300
350	002-19080-00	NUT	2		-			300
355	003-20080-00	SPRING WASHER	2		-			300
360	001-13081-60	BOLT & WASHER AY	7		-			300
510	161-32703-10	AIR CLEANER AY	1		-			300
- 2	226-32720-08	GASKET (AIR CLEANER)	1		-			300
-100	161-32610-08	ELEMENT	1		-			300
520	157-32600-07	ELEMENT SET	1		-			300
528	073-20044-30	LABEL (CHOKE)	1		-			300
540	106-32912-03	INSULATOR	1		-			300
550	157-35001-03	GASKET (INSULATOR)	2		-			300
590	017-60600-20	SELF LOCK NUT	2		-			300
620	161-36002-03	BRACKET (CLEANER)	1		-			300
630	001-10061-20	BOLT AND WASHER AY	3		-			300

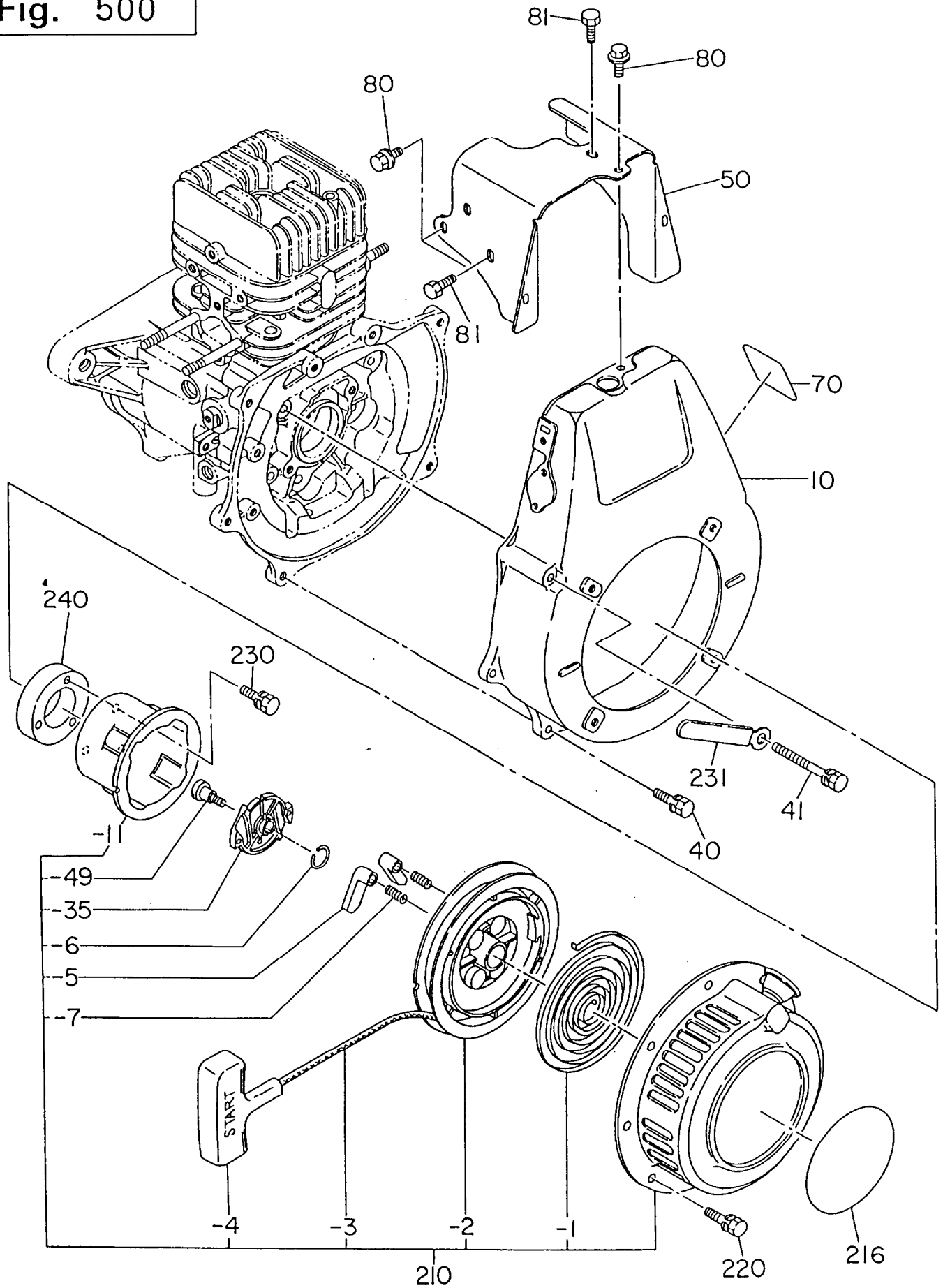
Fig. 400



4 GOVERNOR. OPERATION

REF.	PART NUMBER	PART NAME	QTY	REMARKS	CODE NO. FROM-TO	INTERCHANGEABLE PART NUMBER	UNIT PRICE	FIG.
10	161-42301-13	GOVERNOR LEVER	1		-			400
20	106-42201-03	GOVERNOR SHAFT	1		-			400
30	227-42701-01	GOVERNOR ROD	1		-			400
40	106-42801-13	ROD SPRING	1		-			400
80	161-42501-13	GOVERNOR SPRING	1		-			400
90	157-42101-03	GOVERNOR YOKE	1		-			400
100	004-35040-60	SCREW & WASHER AY	2		-			400
110	157-42401-03	ADJUSTING PLATE	1		-			400
120	002-19060-00	NUT	1		-			400
130	003-20060-00	SPRING WASHER	1		-			400
140	004-36040-80	SCREW & WASHER AY	1		-			400
310	161-43410-11	SPEED CONTROL CP	1		-			400
311	157-45101-01	COVER CP	1		-			400
312 ₄	157-46101-03	WASHER	1		-			400
313	011-00600-20	FLANGE BOLT	1		-			400
360	004-31063-50	SCREW	1		-			400
370	002-17060-00	NUT	1		-			400
390	161-44201-13	WIRE BRACKET	1		-			400
420	011-00600-20	FLANGE BOLT	1		-			400
440	011-50400-10	BOLT	1		-			400
460	161-43501-21	STOP PLATE CP	1		-			400
461	011-00600-20	FLANGE BOLT	1		-			400

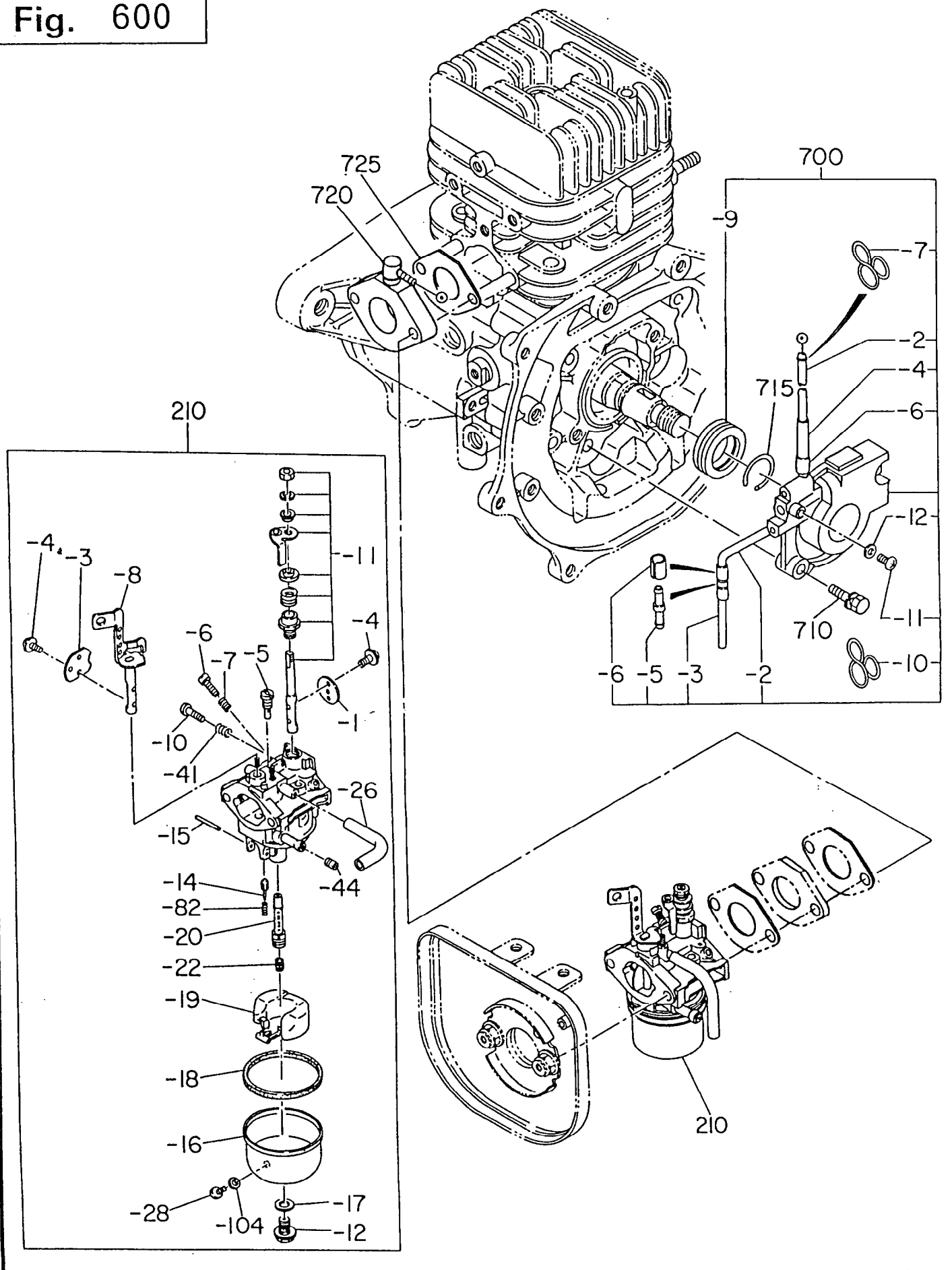
Fig. 500



5 COOLING, STARING

REF.	PART NUMBER	PART NAME	QTY	REMARKS	CODE NO. FROM-TO	INTERCHANGEABLE PART NUMBER	UNIT PRICE	FIG.
10	161-51107-06	BLOWER HOUSING CP	1		-			500
40	001-14062-00	BOLT AND WASHER AY	3		-			500
41	001-14065-50	BOLT AND WASHER AY	2		-			500
50	161-52602-03	CYLINDER BAFFLE	1		-			500
70	161-91860-03	LABEL(ENGINE NAME)	1		-			500
80	011-00600-20	FLANGE BOLT	3		-			500
81	015-20600-70	TAPPING BOLT	3		-			500
210	161-50104-00	RECOIL STARTER AY	1		-			500
- 1	215-50515-08	SPIRAL SPRING	1		-			500
- 2	161-50120-08	REEL	1		-			500
- 3	161-50110-08	STARTER ROPE	1		-			500
- 4	236-50101-08	STARTER KNOB	1		-			500
- 5	161-50125-08	RATCHET	2		-			500
- 6	227-50131-08	FRICITION SPRING	1		-			500
- 7	227-50135-08	RETURN SPRING	2		-			500
- 11	161-50145-18	STARTER PULLEY	1		-			500
- 35	161-50150-08	RATCHET GUIDE	1		-			500
- 49	227-50152-08	SET SCREW	1		-			500
216	206-91701-03	LABEL (TRADE MARK)	1		-			500
220	001-13061-20	BOLT AND WASHER AY	4		-	001-14061-20		500
230	001-13062-50	BOLT AND WASHER AY	3		-			500
231	226-75101-03	CLAMP	1		-			500
240	161-55001-13	PULLEY SPACER	1		-			500

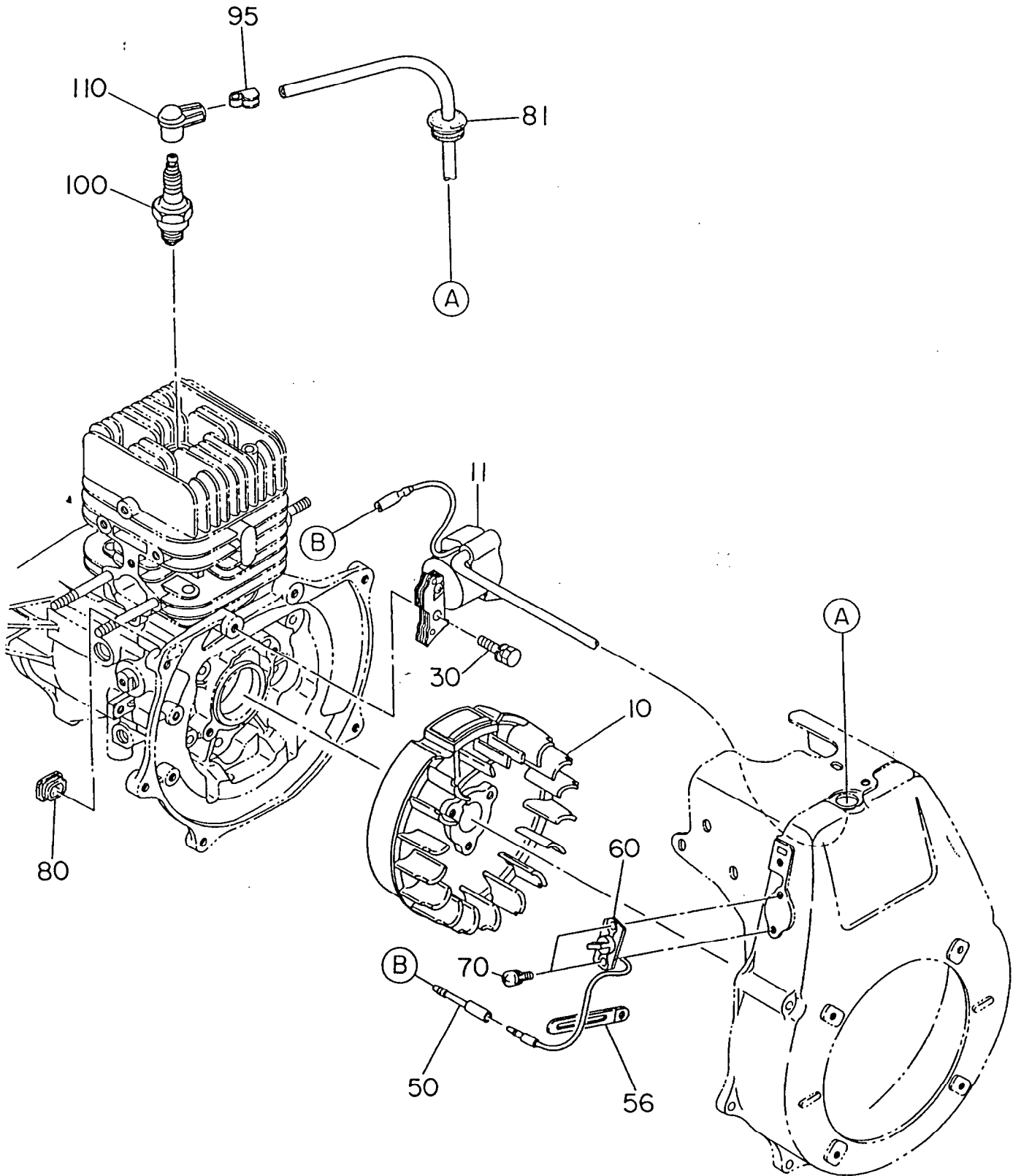
Fig. 600



6 FUEL, LUBRICANT

REF.	PART NUMBER	PART NAME	QTY	REMARKS	CODE NO. FROM-TO	INTERCHANGEABLE PART NUMBER	UNIT PRICE	FIG.
210	161-62301-40	CARBURETOR AY	1		-			600
- 1	161-62535-08	THROTTLE VALVE	1		-			600
- 3	161-62525-08	CHOKE VALVE	1		-			600
- 4	237-62451-08	SCREW	4		-			600
- 5	207-62420-08	PILOT JET	1		-			600
- 6	161-62354-08	ADJUSTER	1		-			600
- 7	230-62446-08	SPRING	1		-			600
- 8	161-62520-38	SHAFT AY (CHOKE)	1		-			600
- 10	224-62452-08	SCREW	1		-			600
- 11	161-62530-08	SHAFT AY (THROTTLE)	1		-			600
- 12	161-62351-08	BOLT	1		-			600
- 14	161-62352-08	NEEDLE	1		-			600
- 15	214-62515-08	PIN	1		-			600
- 16	161-62350-08	FLOAT BODY	1		-			600
- 17	236-62450-08	PACKING	1		-			600
- 18	236-62540-08	PACKING	1		-			600
- 19	236-62505-08	FLOAT	1		-			600
- 20	161-62440-08	MAIN NOZZLE	1		-			600
- 22	226-62400-08	MAIN JET	1		-			600
- 26	161-62353-08	HOSE	1		-			600
- 28	236-62350-08	SCREW	1		-			600
- 41	206-62446-08	SPRING	1		-			600
- 44	161-62400-08	MAIN JET	1		-			600
- 82	236-62445-08	SPRING	1		-			600
-104	236-62541-08	PACKING	1		-			600
700	161-63901-10	OIL PUMP AY	1		-			600
- 2	161-63912-08	HOSE	2		-			600
- 3	161-63913-08	HOSE	1		-			600
- 4	161-63914-08	PROTECTOR	1		-			600
- 5	161-63915-08	JOINT	1		-			600
- 6	161-63916-08	CLIP	4		-			600
- 7	161-63910-08	CLAMP 2	1		-			600
- 9	161-63918-08	WARM	1		-			600
- 10	161-63910-08	CLAMP 2	1		-			600
- 11	226-62354-08	SCREW	1		-			600
- 12	161-63919-08	PACKING	1		-			600

Fig. 700



7 ELECTRIC DEVICE

REF.	PART NUMBER	PART NAME	QTY	REMARKS	CODE NO. FROM-TO	INTERCHANGEABLE PART NUMBER	UNIT PRICE	FIG.
10	161-75001-01	FLY WHEEL CP	1		-	161-75001-11		700
11	161-71201-11	IGNITION COIL CP	1		3532-			700
	161-71201-01	IGNITION COIL CP	1		-3531			700
30	001-10062-00	BOLT AND WASHER AY	2		-	001-14062-00		700
50	214-73122-01	WIRE 22 CP	1		-			700
56	150-75201-03	CLAMP	1		-			700
60	066-00003-71	SWITCH AY	1		-			700
70	004-35041-20	SCREW AND WASHER AY	2		-			700
80	157-75002-03	GROMMET	1		-			700
81	161-75001-03	GROMMET(HIGH)	1		-			700
95	065-50001-00	PLUG TERMINAL	1		-			700
100	065-01404-60	SPARK PLUG	1	BM6A	-			700
110	230-75101-13	SPARK PLUG CAP	1		-			700

Fig. 900

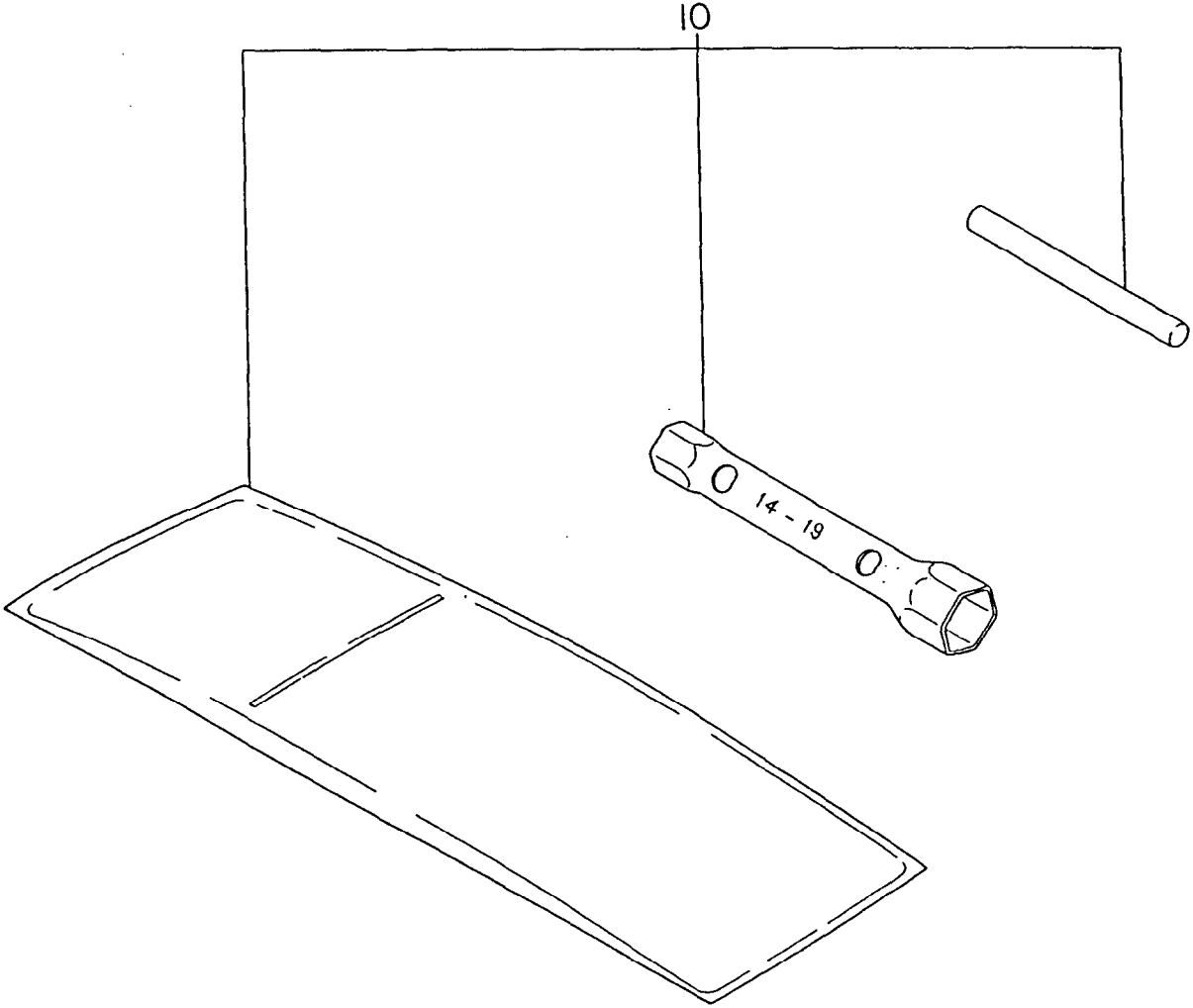


Fig. 1000

