



Robin Engines

Model EC12

for WEBER

PARTS CATALOG

Spec.No.EC120D47130

【Revised】

 **FUJI HEAVY INDUSTRIES LTD.**

ISSUE EMD-EP5475

FIG. 1 CRANKCASE and CYLINDER HEAD

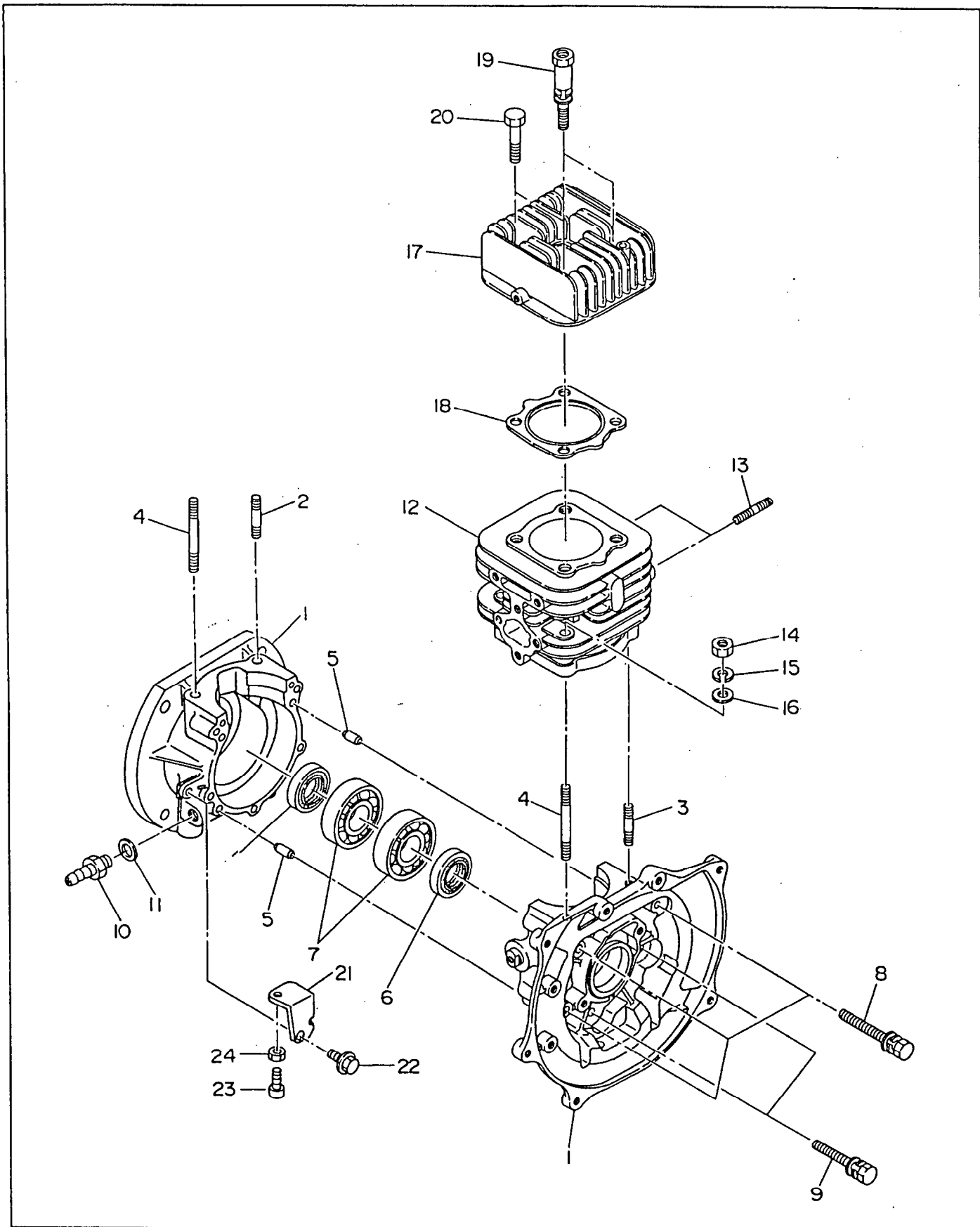


FIG. 2 CRANKSHAFT and PISTON

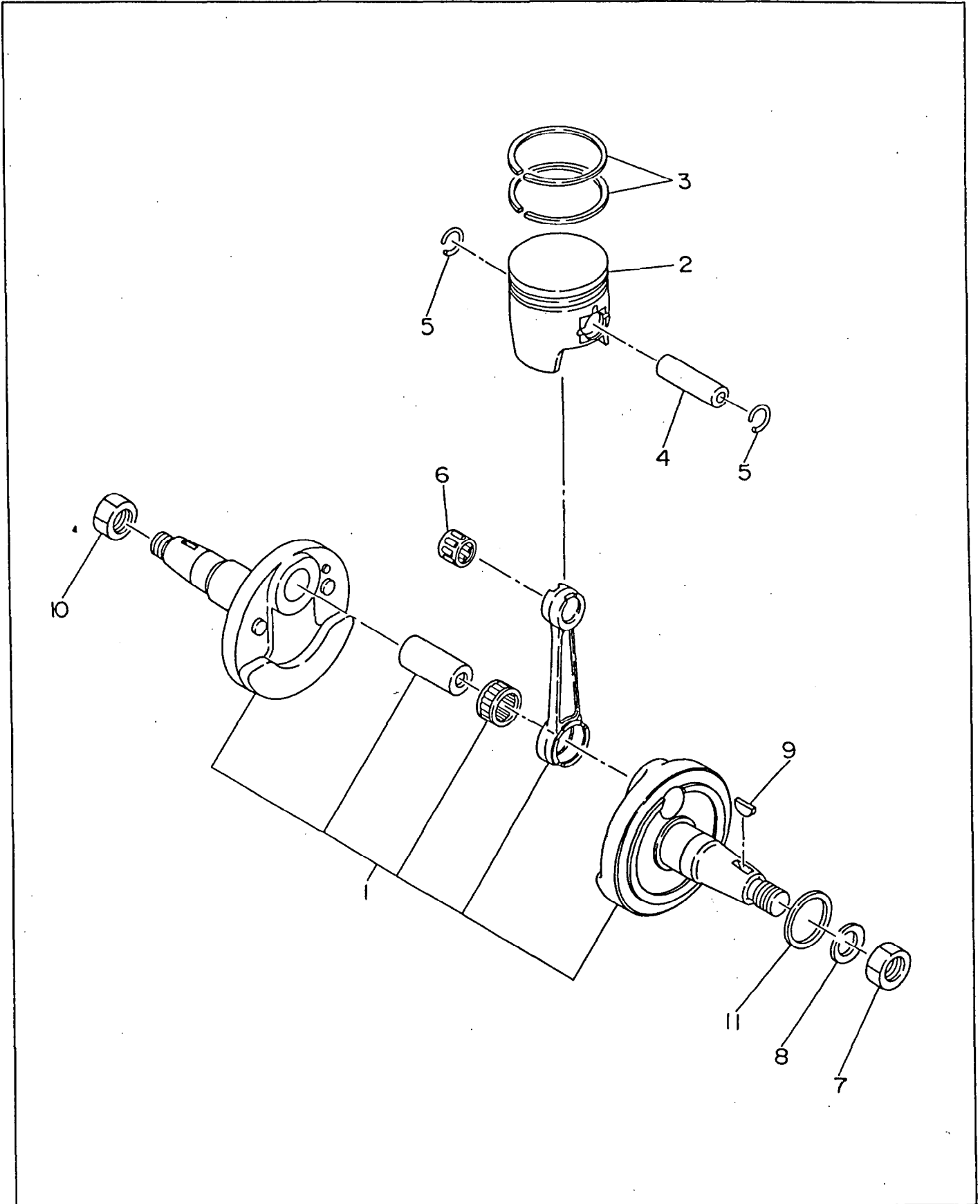


FIG. 3 MUFFLER and AIR CLEANER

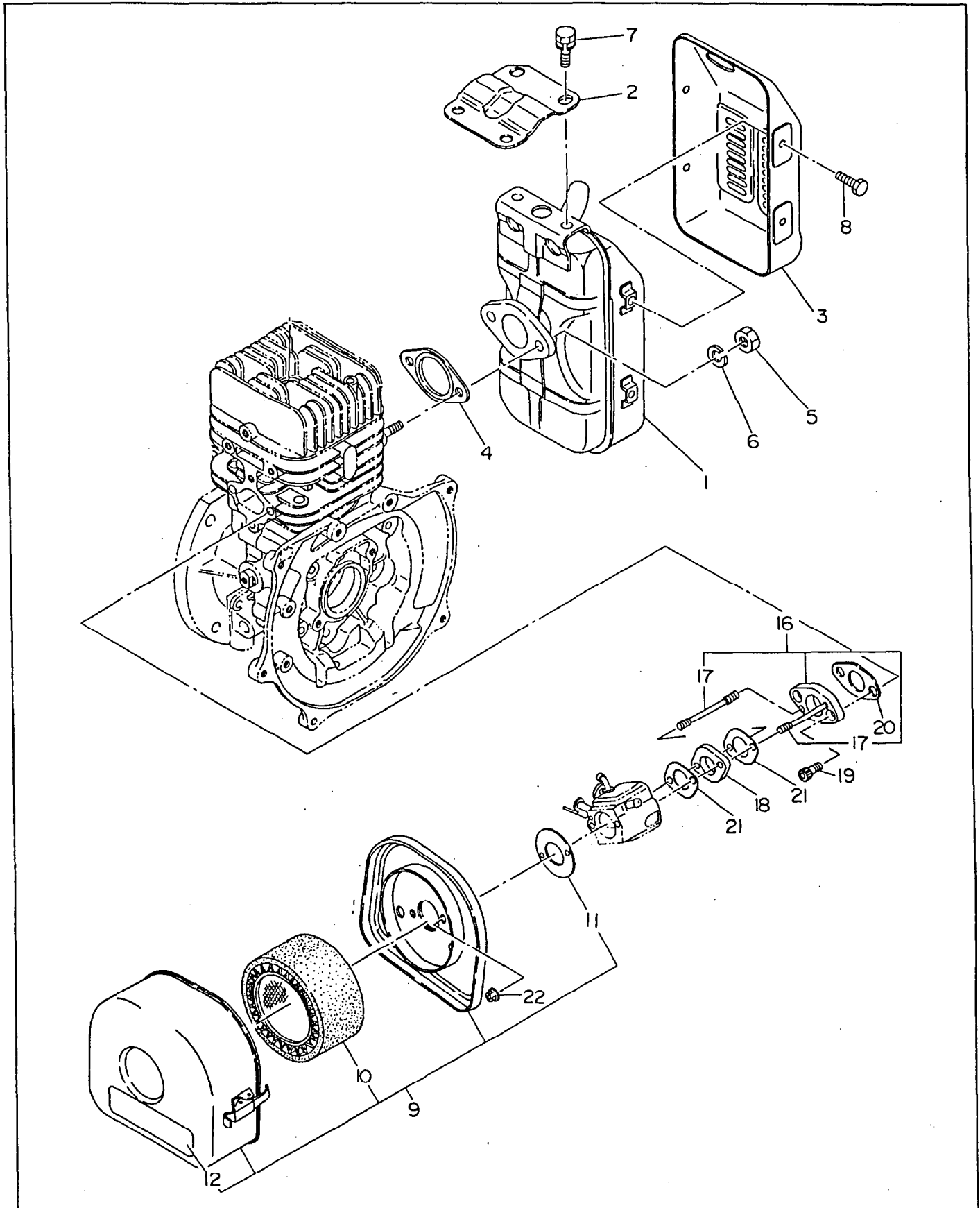


FIG. 4 BLOWER HOUSING and RECOIL STARTER

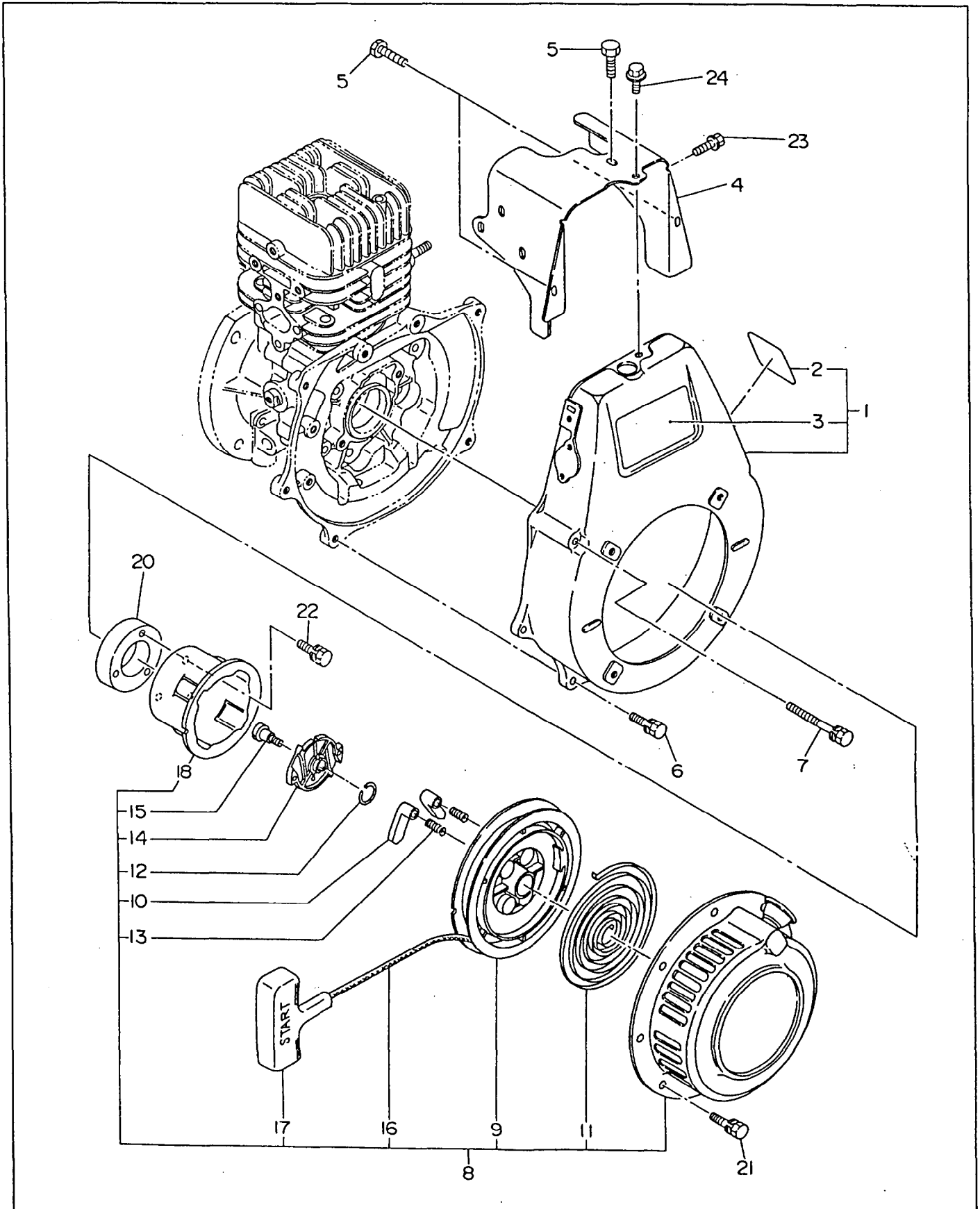


FIG. 4 BLOWER HOUSING and RECOIL STARTER

Interchangeability

Ref. No.	Parts Number	Description	Q'ty		Execution
* 1	161 - 51108 - 01	BLOWER HOUSING COMPL Includes items 2 and 3	1		
2	161 - 91802 - 03	LABEL (engine name)	1		
3	161 - 91701 - 03	LABEL (trade mark)	1		
4	161 - 52601 - 23	CYLINDER BAFFLE	1		
5	015 - 20600 - 70	TAPPING BOLT	3		
6	001 - 14062 - 00	BOLT AND WASHER ASS'Y	3		
7	001 - 14065 - 50	BOLT AND WASHER ASS'Y	2		
* 8	161 - 50104 - 00	RECOIL STARTER ASS'Y Includes items 9 thru 18	1		
9	161 - 50120 - 08	REEL	1		
10	161 - 50125 - 08	RATCHET	2		
11	215 - 50515 - 08	SPIRAL SPRING	1		
12	227 - 50131 - 08	FRICTION SPRING	1		
13	227 - 50135 - 08	RETURN SPRING	2		
14	161 - 50150 - 08	RATCHET GUIDE	1		
15	227 - 50152 - 08	SET SCREW	1		
16	161 - 50110 - 08	STARTER ROPE	1		
17	236 - 50101 - 08	STARTER KNOB	1		
18	161 - 50145 - 18	STARTER PULLEY	1		
20	161 - 55001 - 13	PULLEY SPACER	1		
21	001 - 10061 - 20	BOLT AND WASHER ASS'Y	4		
22	001 - 13062 - 50	BOLT AND WASHER ASS'Y	3		
23	011 - 00600 - 10	FLANGE BOLT	1		
24	011 - 00600 - 20	FLANGE BOLT	1		

FIG. 5-1 CARBURETOR(serial No. less than #1021419)

"ZAMA" Carburetor installed on the engines with serial numbers less than # 1021419.

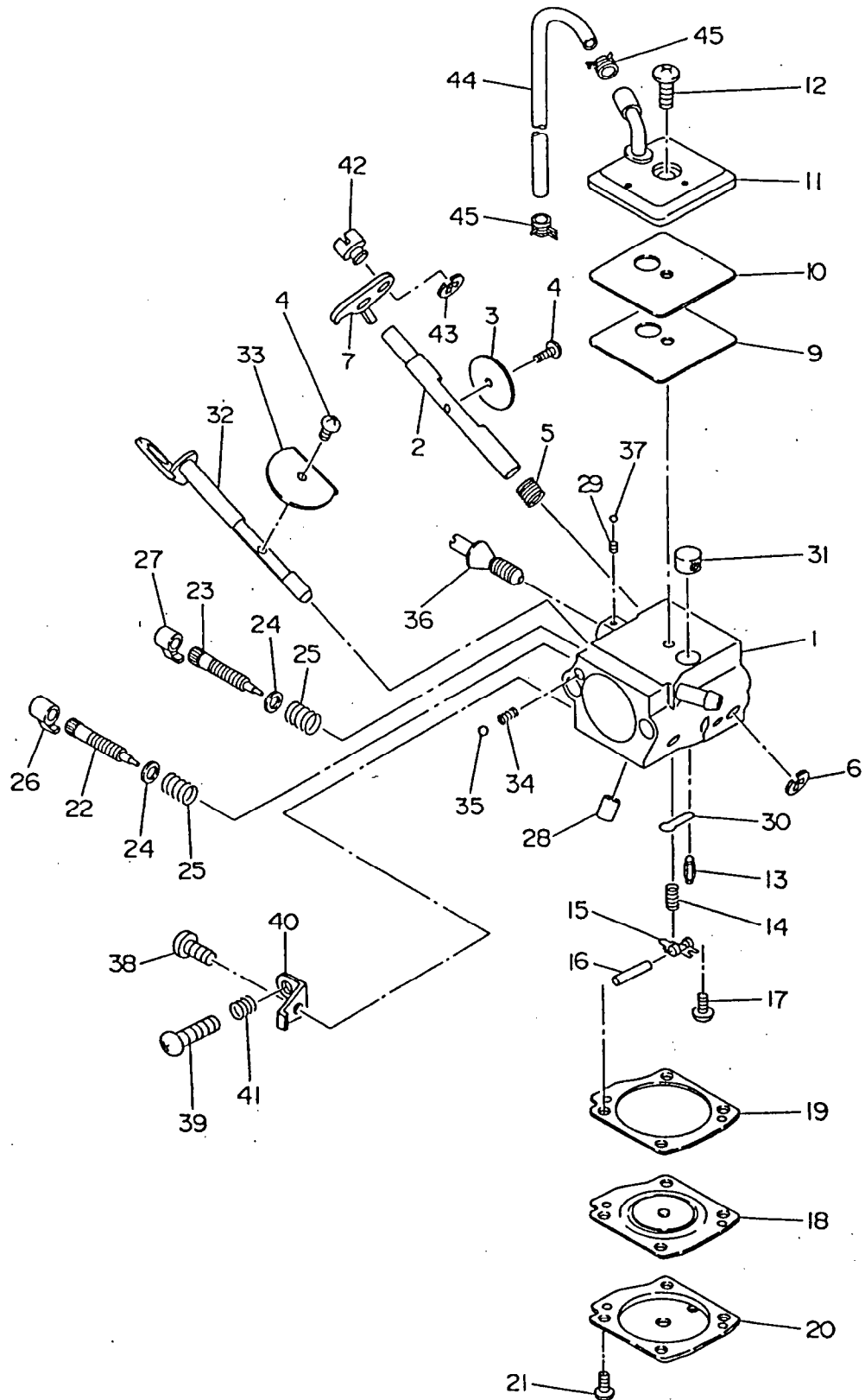


FIG. 5-1 CARBURETOR(serial No. less than #1021419)

☐ Interchangeability

Ref. No.	Parts Number	Description	Q'ty	Execution
* 1	161 - 62402 - 10	CARBURETOR ASS'Y Includes items 2 thru 41	1	
2	161 - 62495 - 08	SHAFT ASS'Y (throttle)	1	
3	106 - 62498 - 08	VALVE (throttle)	1	
4	106 - 62497 - 08	SCREW	2	
5	161 - 62494 - 08	SPRING (throttle return)	1	
6	161 - 62493 - 08	E - RING (throttle shaft)	1	
9	106 - 62492 - 08	DIAPHRAGM (pump)	1	
10	106 - 62491 - 08	GASKET (pump)	1	
11	161 - 62498 - 08	COVER ASS'Y (pump)	1	
12	106 - 62489 - 08	SCREW	1	
13	106 - 62488 - 08	VALVE (inlet needle)	1	
14	106 - 62487 - 08	SPRING (metering lever)	1	
15	161 - 62497 - 08	LEVER (metering)	1	
16	106 - 62485 - 08	PIN	1	
17	106 - 62484 - 08	SCREW (pin)	1	
18	106 - 62483 - 08	DIAPHRAGM ASS'Y (metering)	1	
19	106 - 62482 - 08	GASKET	1	
20	106 - 62481 - 08	COVER (metering)	1	
21	106 - 62480 - 08	SCREW	4	
22	106 - 62479 - 08	SCREW (main mixture)	1	
23	106 - 62478 - 08	SCREW (idle mixture)	1	
24	106 - 62477 - 08	WASHER	2	
25	106 - 62476 - 08	SPRING (adjust screw)	2	
26	106 - 62475 - 08	LIMITER (main mixture)	1	
27	106 - 62474 - 08	LIMITER (idle mixture)	1	
28	106 - 62473 - 08	NOZZLE ASS'Y	1	
29	106 - 62472 - 08	PIECE	1	
30	106 - 62471 - 08	PLUG	1	
31	106 - 62470 - 08	STRAINER	1	
32	161 - 62496 - 08	SHAFT ASS'Y (choke)	1	
33	106 - 62468 - 08	VALVE (choke)	1	
34	106 - 62467 - 08	SPRING	1	
35	106 - 62466 - 08	BALL (steel)	1	
36	106 - 62465 - 08	SCREW (adjust)	1	
37	106 - 62464 - 08	BALL (plastic)	1	
38	161 - 62491 - 08	SCREW	1	
39	161 - 62490 - 08	SCREW (throttle adjust)	1	
40	161 - 62492 - 08	LEVER (throttle adjust)	1	
41	106 - 62476 - 08	SPRING (adjust spring)	1	
42	161 - 62489 - 08	POST	1	
43	161 - 62493 - 08	E - RING	1	
44	085 - 10400 - 00	RUBBER PIPE (4.5D x 9D x 210 ℓ)	1	
45	056 - 10800 - 20	HOSE CLAMP	2	

FIG. 5-2 CARBURETOR(serial No. 1021420 and after)

P/No. 161 - 62500 - 00

(BING P/No. 49B104)

Component parts for "BING" carburetor are not available from FHI.

Please inquire of BING dealers.

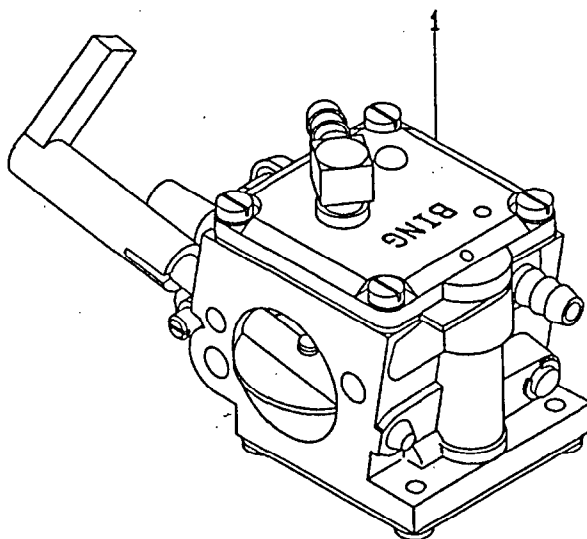


FIG. 6 ELECTRIC DEVICE

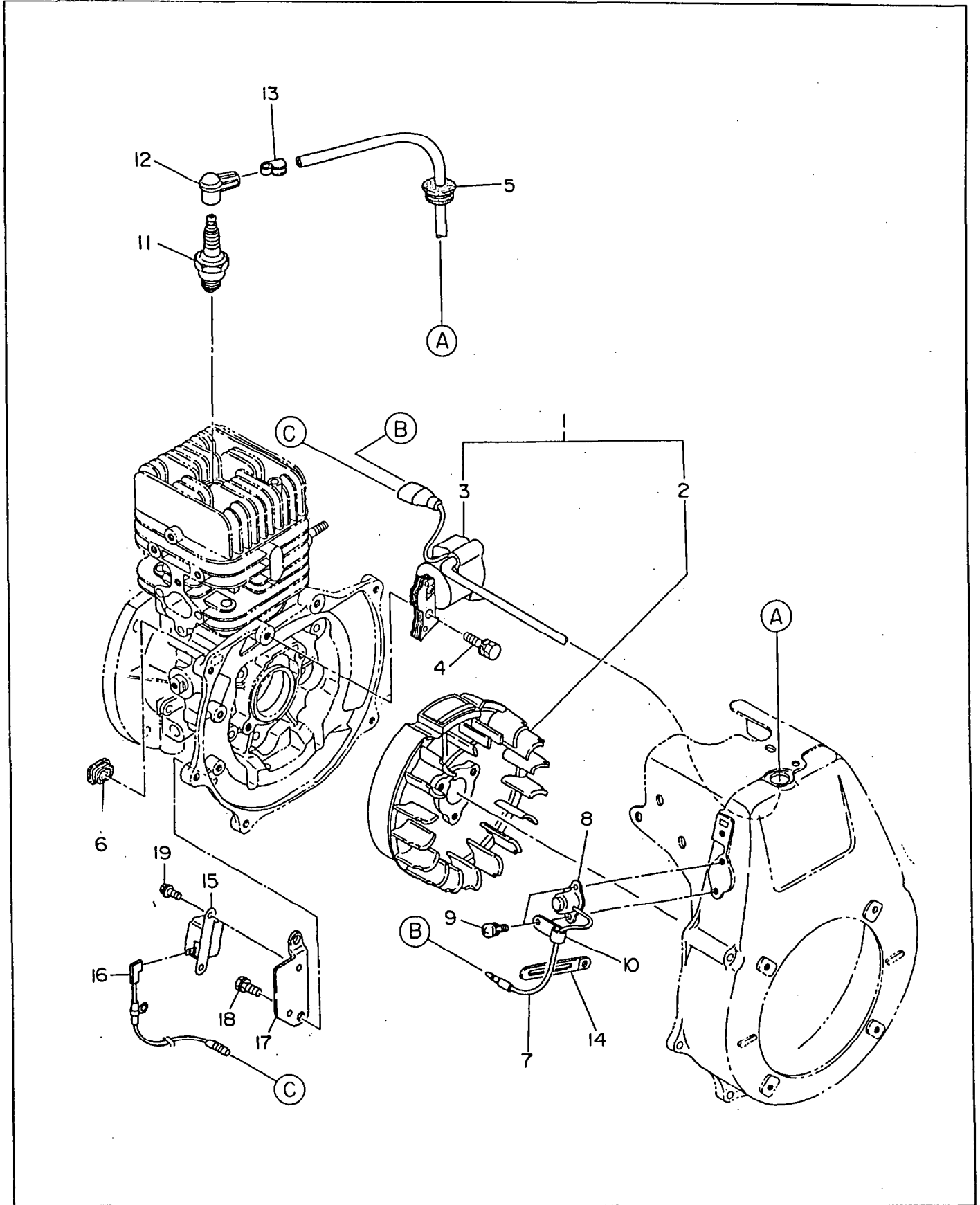


FIG. 7 PARTS TO BE SHIPPED LOOSE

