



**Robin Engine**

---

**Model EC12**

**for BOMAG  
BT65**

**PARTS CATALOG**

**Spec. No. EC120D47330**

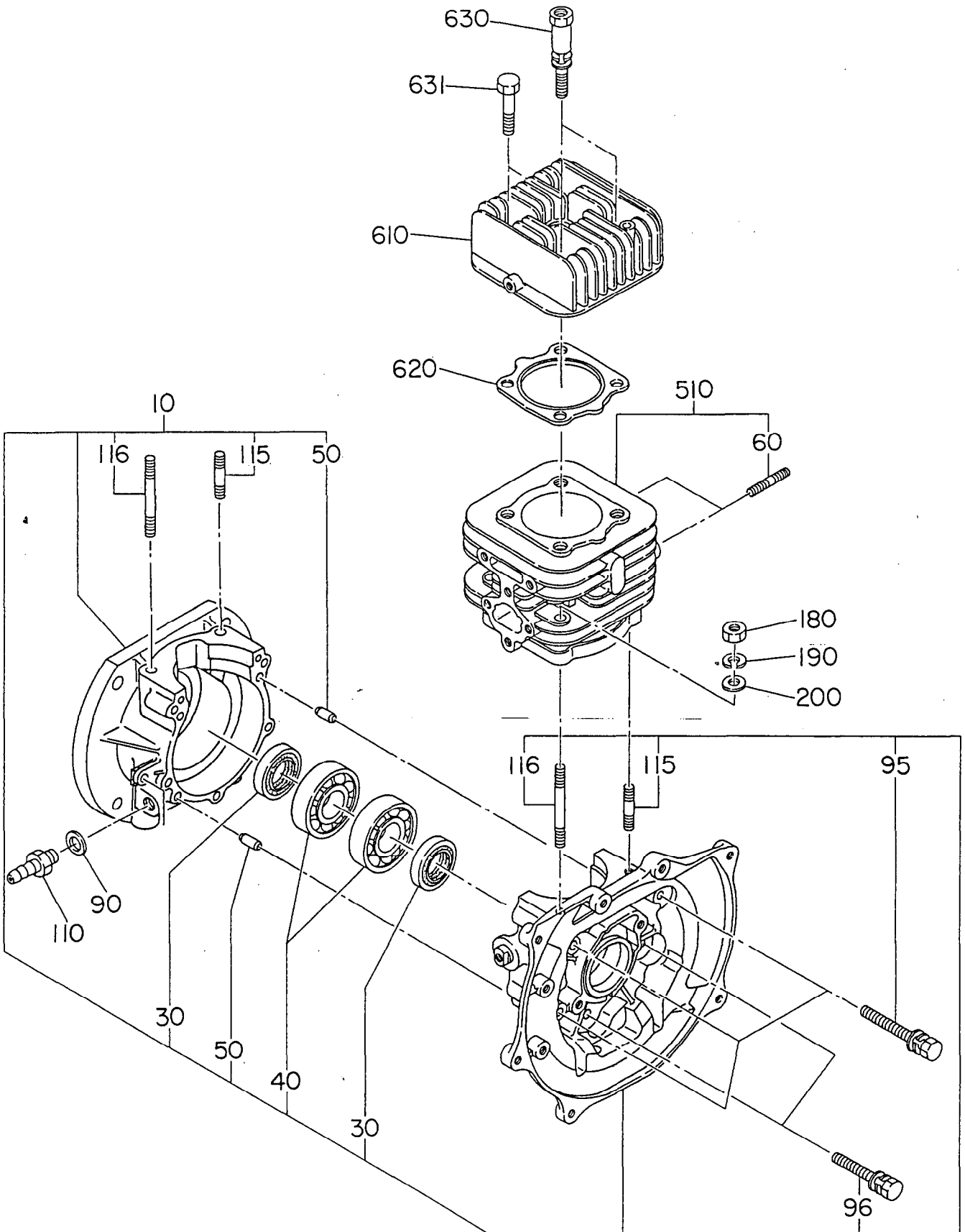
**EPA**

 **FUJI HEAVY INDUSTRIES LTD.**

---

**ISSUE EMD-EP1360**

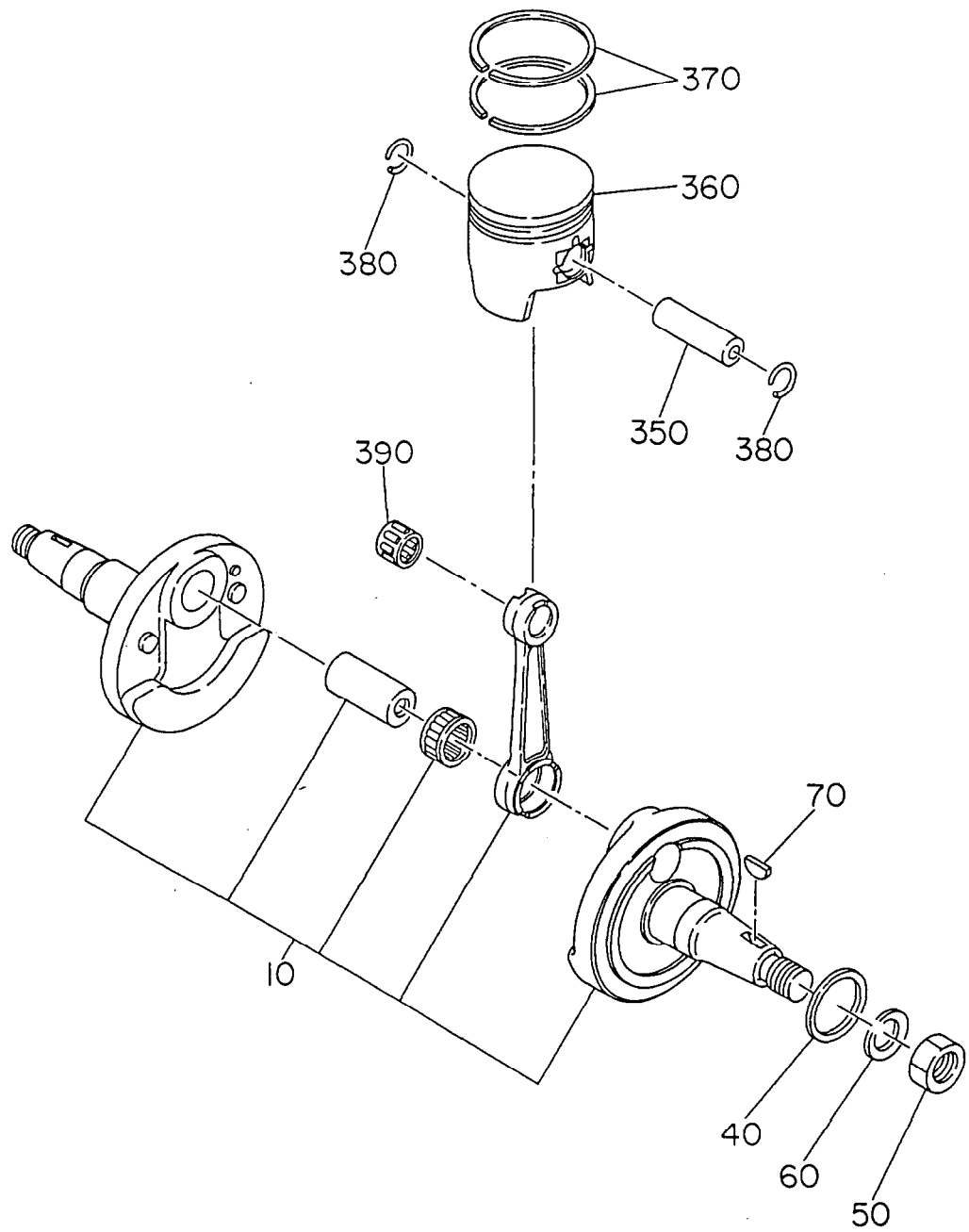
FIG. 100



1 CRANK CASE

REF.	PART NUMBER	PART NAME	QTY	REMARKS	CODE NO. FROM-TO	INTERCHANGEABLE PART NUMBER	UNIT PRICE	FIG.
10	161-10601-31	CRANK CASE CP	1		-			100
30	044-02501-80	OIL SEAL	2	TC25387	-			100
40	060-02500-10	BALL BEARING	2	BB6205C3	-			100
50	031-00600-10	DOWEL PIN	2		-			100
60	001-32083-51	STUD	2		-			100
90	003-71100-00	GASKET(FIBER)	1		-			100
95	001-14065-50	BOLT AND WASHER AY	3		-			100
96	001-14064-00	BOLT AND WASHER AY	2		-			100
110	050-51000-70	UNION	1		-			100
115	001-32084-01	STUD	2		-			100
116	001-32086-51	STUD	2		-			100
180	002-18080-00	NUT	4		-			100
190	003-20080-00	SPRING WASHER	4		-			100
200	003-10080-00	WASHER	4		-			100
510	161-12402-11	CYLINDER CP	1		-			100
610	157-13101-13	CYLINDER HEAD	1		-			100
620	161-15101-11	GASKET CP (HEAD)	1		-			100
630	013-00800-71	BOLT AND WASHER AY	2		-			100
631	001-14083-50	BOLT AND WASHER AY	2		-			100

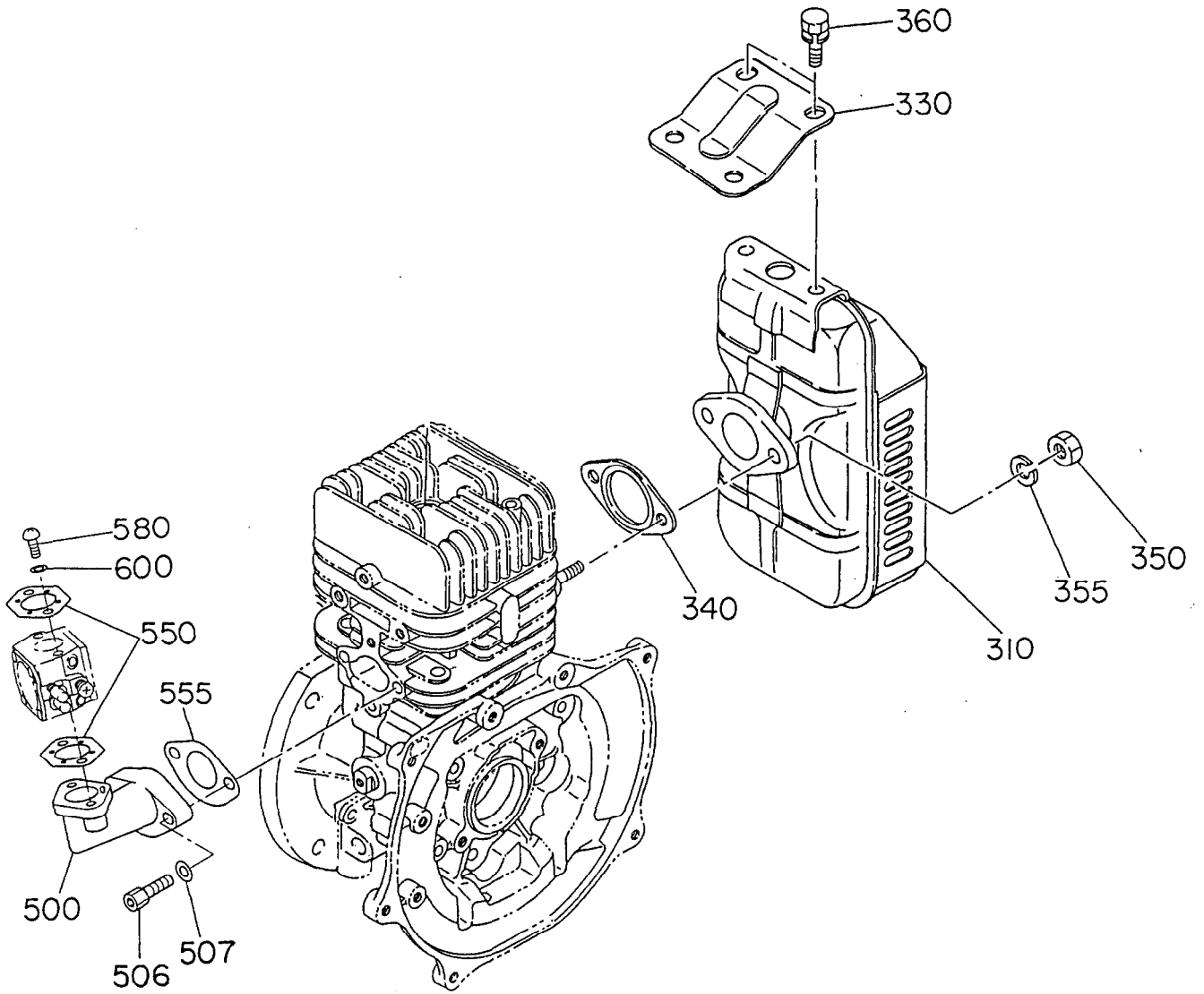
FIG. 200



2 CRANKSHAFT, PISTON

REF.	PART NUMBER	PART NAME	QTY	REMARKS	CODE NO. FROM-TO	INTERCHANGEABLE PART NUMBER	UNIT PRICE	FIG.
10	161-20601-10	CRANK SHAFT AY	1		-			200
40	161-25001-03	SPACER	3	T=0.1	-			200
	161-25002-03	SPACER	1	T=0.3	-			200
50	002-17140-00	NUT	1		-			200
60	003-20140-00	SPRING WASHER	1		-			200
70	005-32042-01	WOODRUFF KEY	1		-			200
350	157-23301-03	PISTON PIN	1		-			200
360	161-23401-01	PISTON CP	1	STD.	-			200
	161-23402-01	PISTON CP	1	OVER SIZE 0.25MM	-			200
	161-23403-01	PISTON CP	1	OVER SIZE 0.50MM	-			200
370	161-23501-07	PISTON RING SET	1	STD.	-			200
	161-23502-07	PISTON RING SET	1	OVER SIZE 0.25MM	-			200
	161-23503-07	PISTON RING SET	1	OVER SIZE 0.50MM	-			200
380	056-51200-10	CLIP	2		-			200
390	061-01200-10	NEEDLE BEARING	1		-			200
4								

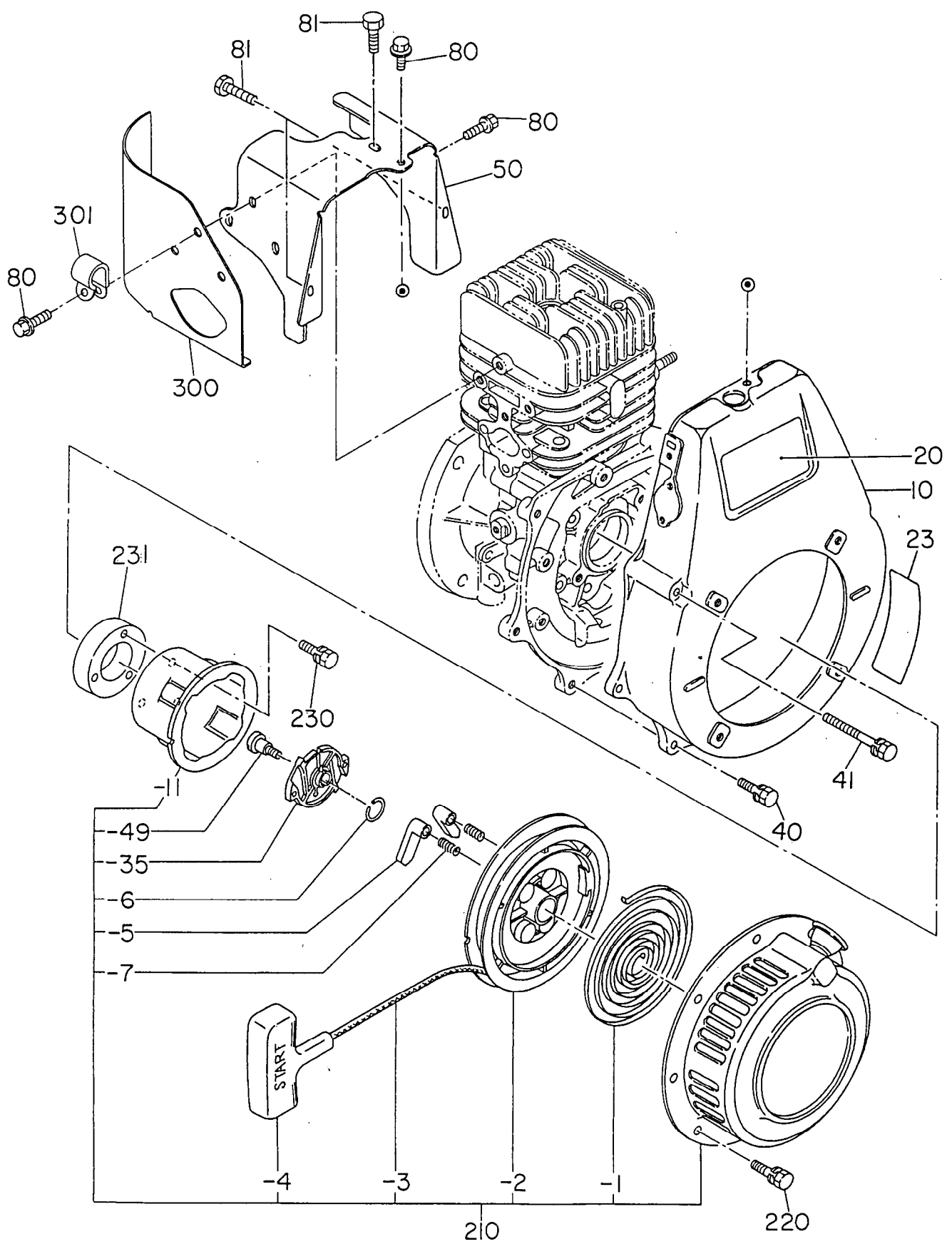
FIG. 300



3 INTAKE, EXHAUST

REF.	PART NUMBER	PART NAME	QTY	REMARKS	CODE NO. FROM-TO	INTERCHANGEABLE PART NUMBER	UNIT PRICE	FIG.
310	161-30103-01	MUFFLER CP	1		-			300
330	161-35002-01	BRACKET (MUFFLER)	1		-			300
340	161-35201-11	GASKET CP (EXHAUST)	1		-			300
350	002-19080-00	NUT	2		-			300
355	003-20080-00	SPRING WASHER	2		-			300
360	001-13081-60	BOLT & WASHER AY	4		-			300
500	161-33120-13	INTAKE MANIFOLD	1		-			300
506	011-90600-70	BOLT (SOCKET HEAD)	2		-			300
507	003-10060-00	WASHER	2		-			300
550	161-35206-03	GASKET	2		-			300
555	161-35205-03	GASKET	1		-			300
580	004-31054-00	SCREW, PAN HEAD	2		-			300
600	003-10050-00	WASHER	2		-			300

FIG. 500



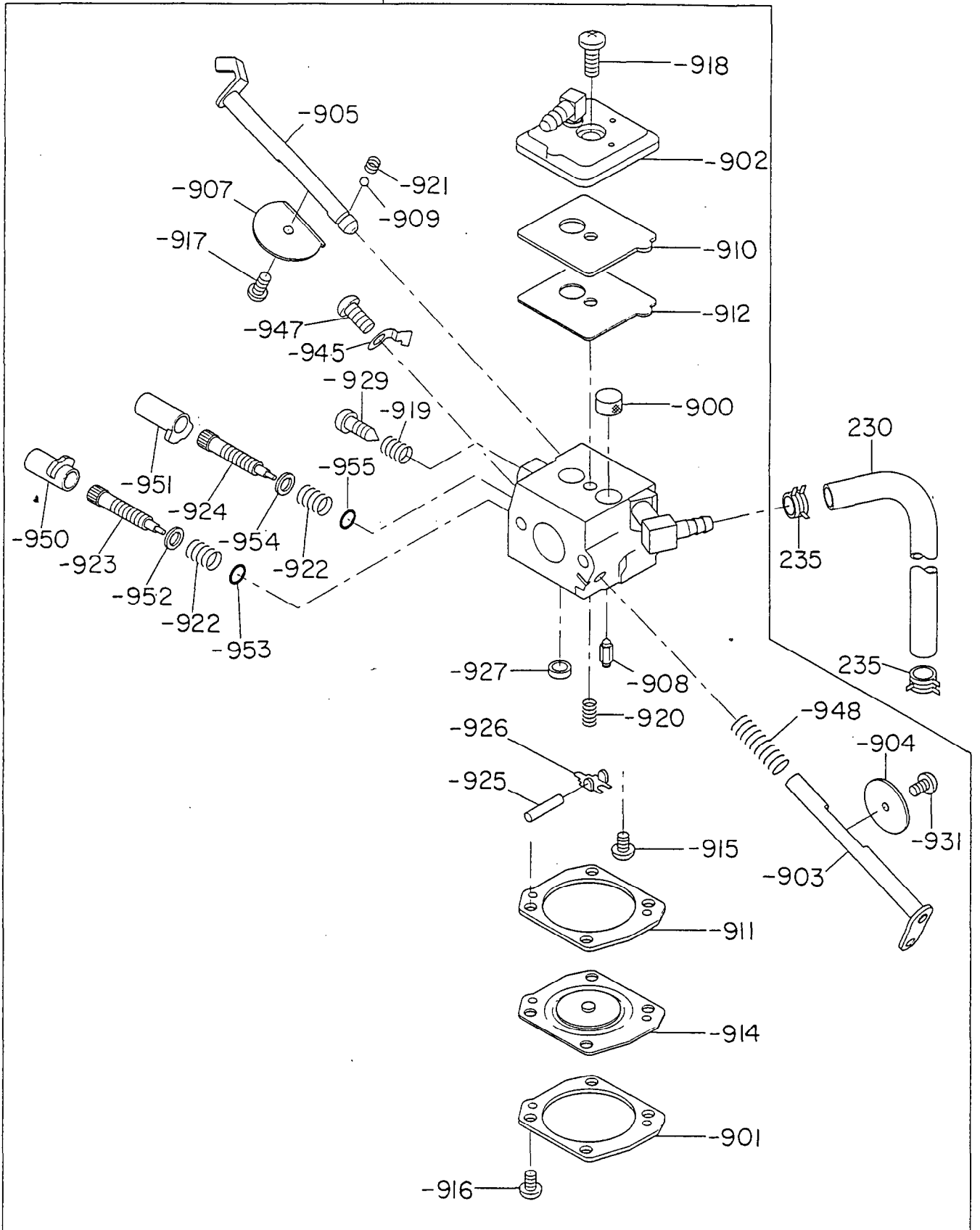


5 COOLING, STARING

REF.	PART NUMBER	PART NAME	QTY	REMARKS	CODE NO. FROM-TO	INTERCHANGEABLE PART NUMBER	UNIT PRICE	FIG.
10	161-51108-16	BLOWER HOUSING CP	1		-			500
20	161-91720-03	LABEL (TRADE MARK)	1		-			500
23	161-95201-03	LABEL (EMISSION CONT)	1		-			500
40	001-14062-00	BOLT AND WASHER AY	3		-			500
41	001-14065-50	BOLT AND WASHER AY	2		-			500
50	161-52601-23	CYLINDER BAFFLE	1		-			500
80	011-00600-20	FLANGE BOLT	5		-			500
81	015-20600-70	TAPPING BOLT	3		-			500
210	161-50104-00	RECOIL STARTER AY	1		-			500
- 1	215-50515-08	SPIRAL SPRING	1		-			500
- 2	161-50120-08	REEL	1		-			500
- 3	161-50110-08	STARTER ROPE	1		-			500
- 4	236-50101-08	STARTER KNOB	1		-			500
- 5	161-50125-08	RATCHET	2		-			500
- 6	227-50131-08	FRICTION SPRING	1		-			500
- 7	227-50135-08	RETURN SPRING	2		-			500
- 11	161-50145-18	STARTER PULLEY	1		-			500
- 35	161-50150-08	RATCHET GUIDE	1		-			500
- 49	227-50152-08	SET SCREW	1		-			500
220	001-13061-20	BOLT AND WASHER AY	4		-	001-14061-20		500
230	001-13062-50	BOLT AND WASHER AY	3		-			500
231	161-55001-13	PULLEY SPACER	1		-			500
300	161-52802-03	AIR GUIDE	1		-			500
301	161-75004-01	TUBE CLAMP	1		-			500

FIG. 600

210

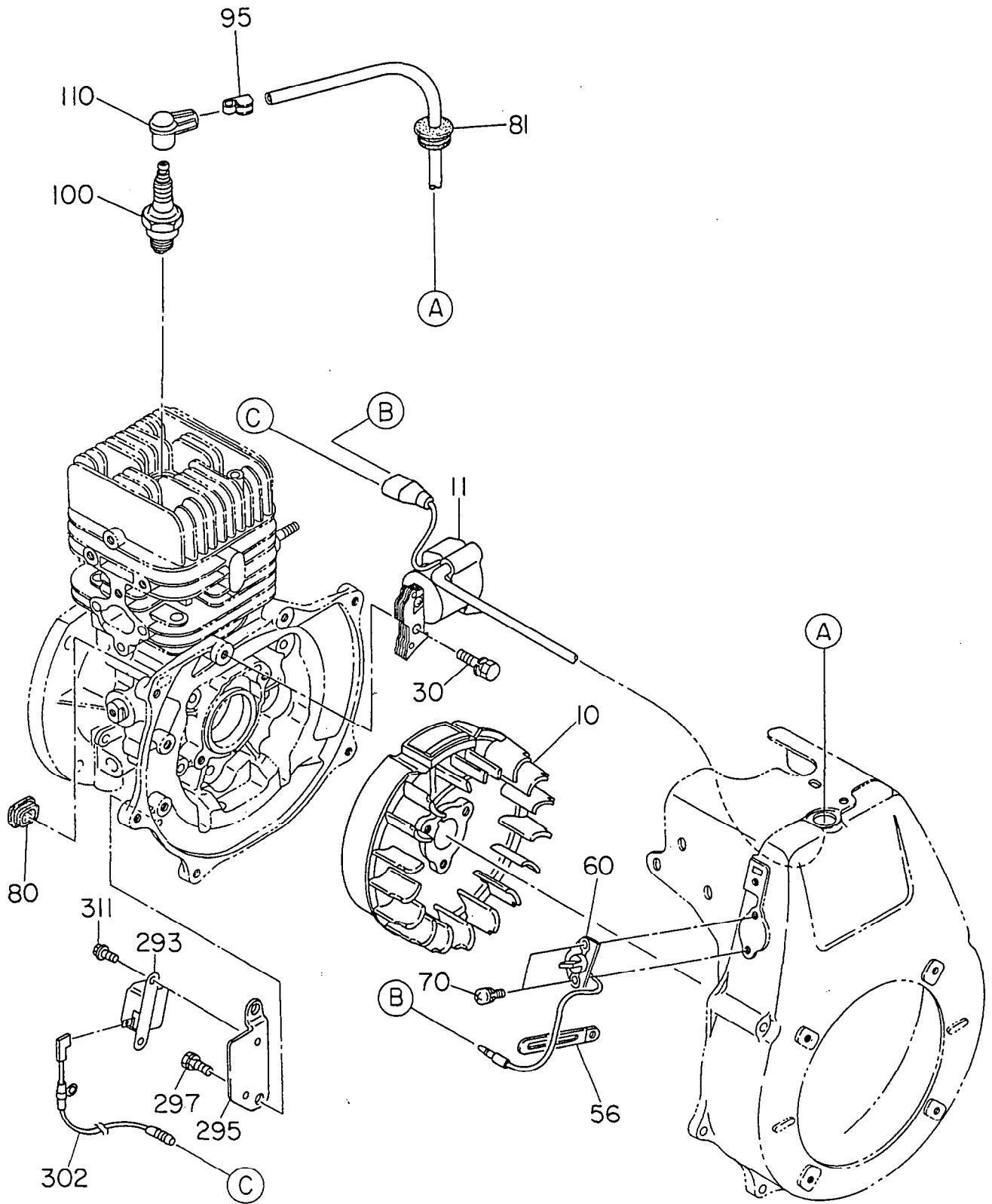


6 FUEL, LUBRICANT

REF.	PART NUMBER	PART NAME	QTY	REMARKS	CODE NO. FROM-TO	INTERCHANGEABLE PART NUMBER	UNIT PRICE	FIG.
210	161-62452-10	CARBURETOR AY	1		-			600
-900	501-60040-10	SCREEN, INLET	1		-			600
-901	161-62374-08	COVER METERING DIA.	1		-			600
-902	161-62373-08	COVER AY PUMP	1		-			600
-903	161-62533-08	SHAFT AY THROTTLE	1		-			600
-904	161-62335-08	VALVE THROTTLE	1		-			600
-905	161-62524-08	SHAFT AY CHOKE	1		-			600
-907	161-62528-08	VALVE CHOKE	1		-			600
-908	161-62552-08	VALVE INLET NEEDLE	1		-			600
-909	147-62584-08	BALL	1		-			600
-910	161-62380-08	GASKET PUMP	1		-			600
-911	161-62381-08	GASKET METERING DIA.	1		-			600
-912	161-62382-08	DIAPHRAGM PUMP	1		-			600
-914	161-62383-08	DIAPHRAGM AY METERING	1		-			600
-915	106-62575-08	SCREW	1		-			600
-916	106-62576-08	SCREW AY	4		-			600
-917	161-62553-08	SCREW VALVE	1		-			600
-918	161-62384-08	SCREW PUMP COVER	1		-			600
-919	161-62454-08	SPRING IDLE ADJ.	1		-			600
-920	161-62451-08	SPRING METERING LEVER	1		-			600
-921	147-62583-08	SPRING(CHOKE)	1		-			600
-922	580-60841-10	SPRING NEEDLE ADJ	2		-			600
-923	161-62364-08	NEEDLE IDLE	1		-			600
-924	161-62365-08	NEEDLE HIGH SPEED	1		-			600
-925	161-62368-08	PIN METERING LEVER	1		-			600
-926	161-62369-08	LEVER METERING	1		-			600
-927	147-62575-08	PLUG(WELCH)	1		-			600
-929	161-62385-08	SCREW IDLE ADJ.	1		-			600
-931	147-62573-08	SCREW (VALVE)	1		-			600
-945	161-62551-08	STOP THROTTLE	1		-			600
-947	510-60451-40	SCREW-VALVE	1		-			600
-948	161-62452-08	SPRING THROTTLE RTN.	1		-			600
-950	161-62377-08	CAP AY LIMITER	1		-			600
-951	161-62376-08	CAP AY LIMITER	1		-			600
-952	161-62366-08	WASHER	1		-			600
-953	161-62370-08	RING O	1		-			600



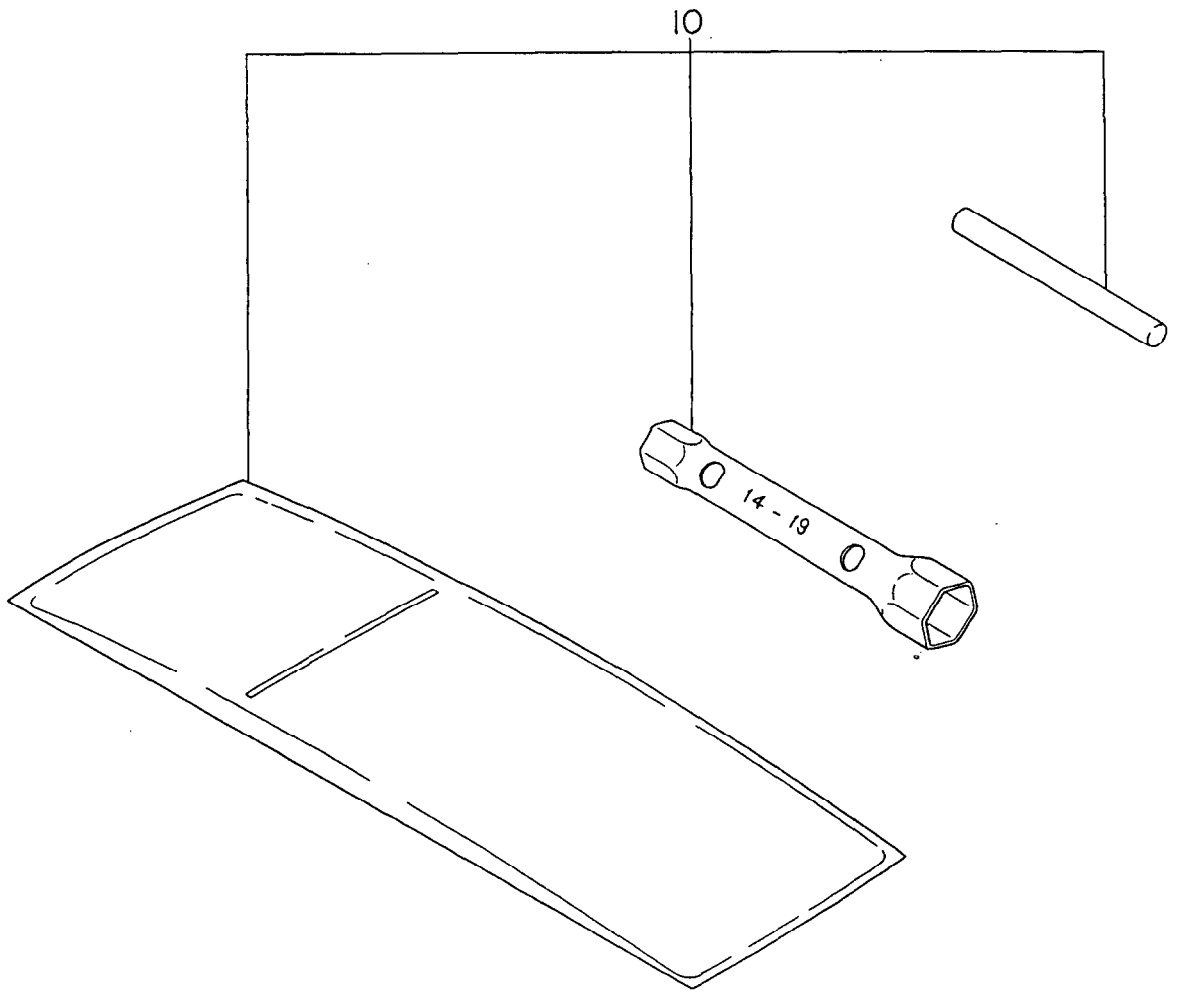
FIG. 700



7 ELECTRIC DEVICE

REF.	PART NUMBER	PART NAME	QTY	REMARKS	CODE NO. FROM-TO	INTERCHANGEABLE PART NUMBER	UNIT PRICE	FIG.
10	161-75001-01	FLY WHEEL CP	1		-	161-75001-11		700
11	161-71202-11	IGNITION COIL CP	1		-			700
30	001-10062-00	BOLT AND WASHER AY	2		-	001-14062-00		700
56	150-75201-03	CLAMP	1		-			700
60	066-00003-71	SWITCH AY	1		-			700
70	004-35041-20	SCREW AND WASHER AY	2		-			700
80	157-75002-03	GROMMET	1		-			700
81	161-75001-03	GROMMET (HIGH)	1		-			700
95	065-50001-00	PLUG TERMINAL	1		-			700
100	065-01404-70	SPARK PLUG	1		-			700
110	230-75101-13	SPARK PLUG CAP	1		-			700
293	161-71502-01	SPEED LIMITER CP	1		-			700
295	161-75002-13	BRACKET (S. LIMITTER)	1		-			700
297	011-00600-20	FLANGE BOLT	2		-			700
302	161-71501-01	LEAD WIRE CP	1		-			700
311	001-16051-00	BOLT & WASHER AY	2		-			700

FIG. 900



9 ACCESSORIES

REF.	PART NUMBER	PART NAME	QTY	REMARKS	CODE NO. FROM-TO	INTERCHANGEABLE PART NUMBER	UNIT PRICE	FIG.
10	226-90307-10	ACCESSORY TOOL KIT	1		-			900