



*TO: Yoshi Komatsu.*

**Robin Engine**

---

**Model EC12**

**for WEBER**

**PARTS CATALOG**

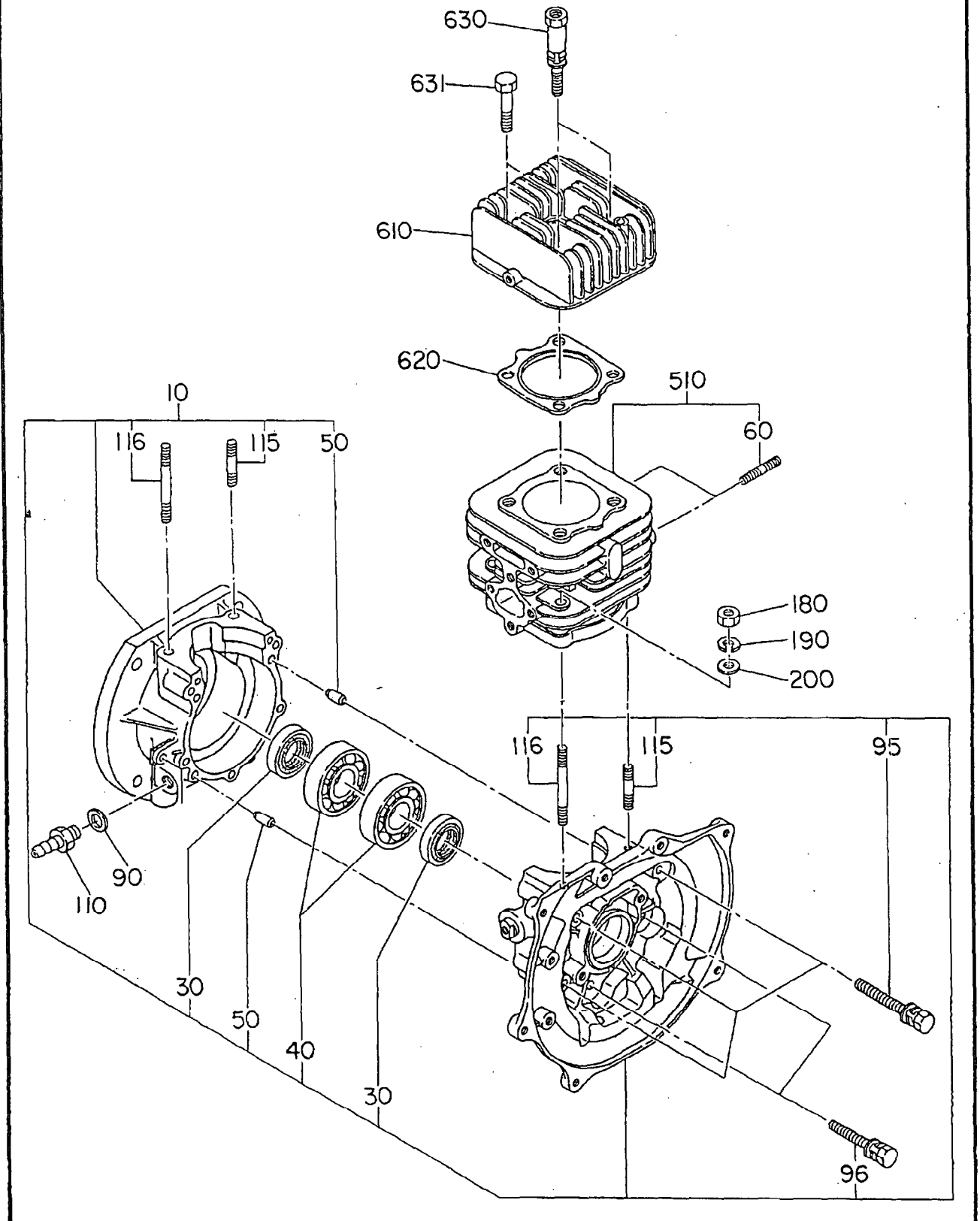
Spec. No. EC120D47340

 **FUJI HEAVY INDUSTRIES LTD.**

---

ISSUE EMD-EP1357

FIG. 100



1 CRANK CASE

REF.	PART NUMBER	PART NAME	QTY	REMARKS	CODE NO. FROM-TO	INTERCHANGEABLE PART NUMBER	UNIT PRICE	FIG.
10	161-10601-31	CRANK CASE CP	1		-			100
30	044-02501-80	OIL SEAL	2	TC25387	-			100
40	060-02500-10	BALL BEARING	2	BB6205C3	-			100
50	031-00600-10	DOWEL PIN	2		-			100
60	001-32083-51	STUD	2		-			100
90	003-71100-00	GASKET (FIBER)	1		-			100
95	001-14065-50	BOLT AND WASHER AY	3		-			100
96	001-14064-00	BOLT AND WASHER AY	2		-			100
110	050-51000-70	UNION	1		-			100
115	001-32084-01	STUD	2		-			100
116	001-32086-51	STUD	2		-			100
180	002-18080-00	NUT	4		-			100
190	003-20080-00	SPRING WASHER	4		-			100
200	003-10080-00	WASHER	4		-			100
510	161-12402-11	CYLINDER CP	1		-			100
610	157-13101-13	CYLINDER HEAD	1		-			100
620	161-15101-11	GASKET CP (HEAD)	1		-			100
630	013-00800-71	BOLT AND WASHER AY	2		-			100
631	001-14083-50	BOLT AND WASHER AY	2		-			100

FIG. 200

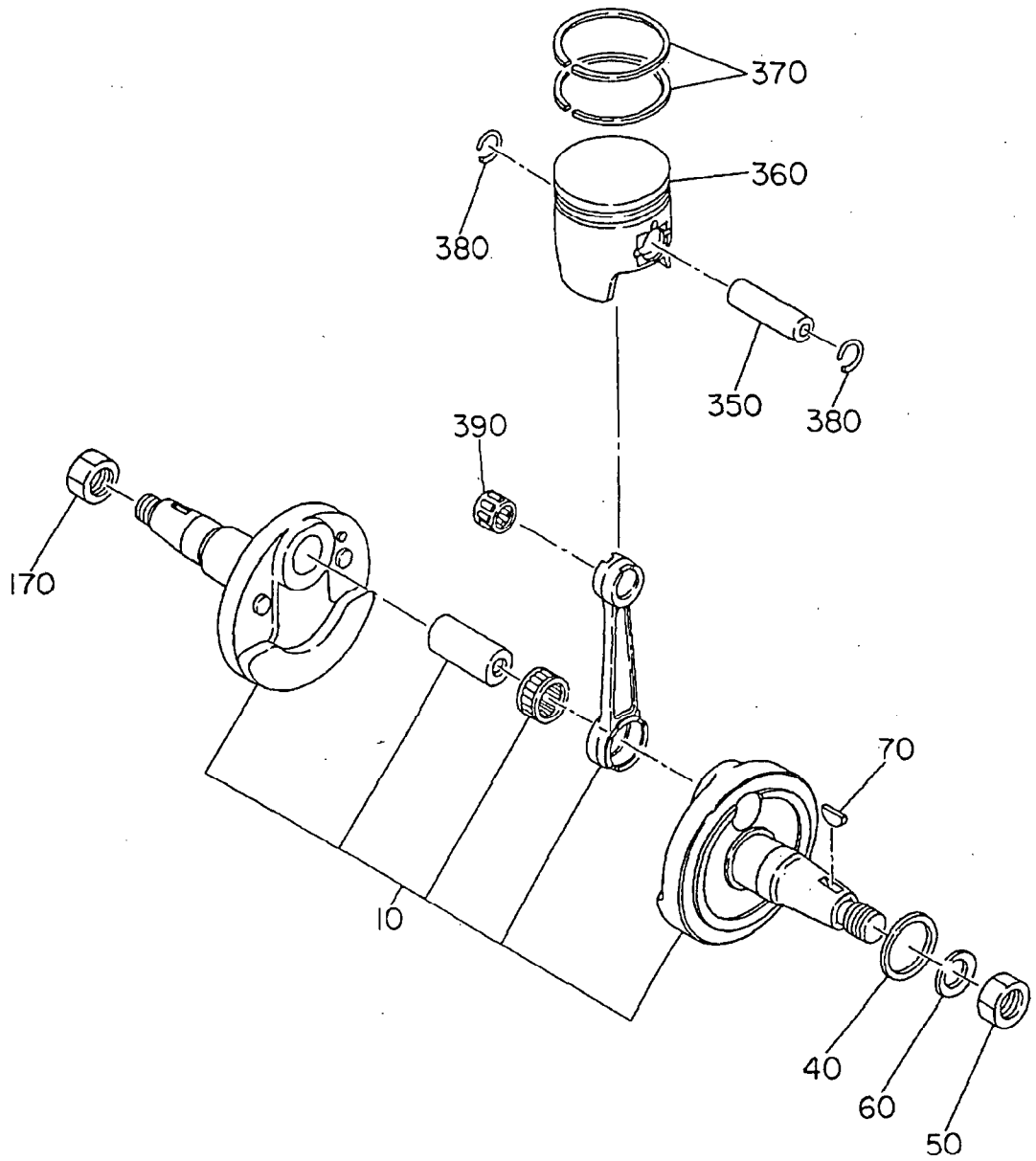
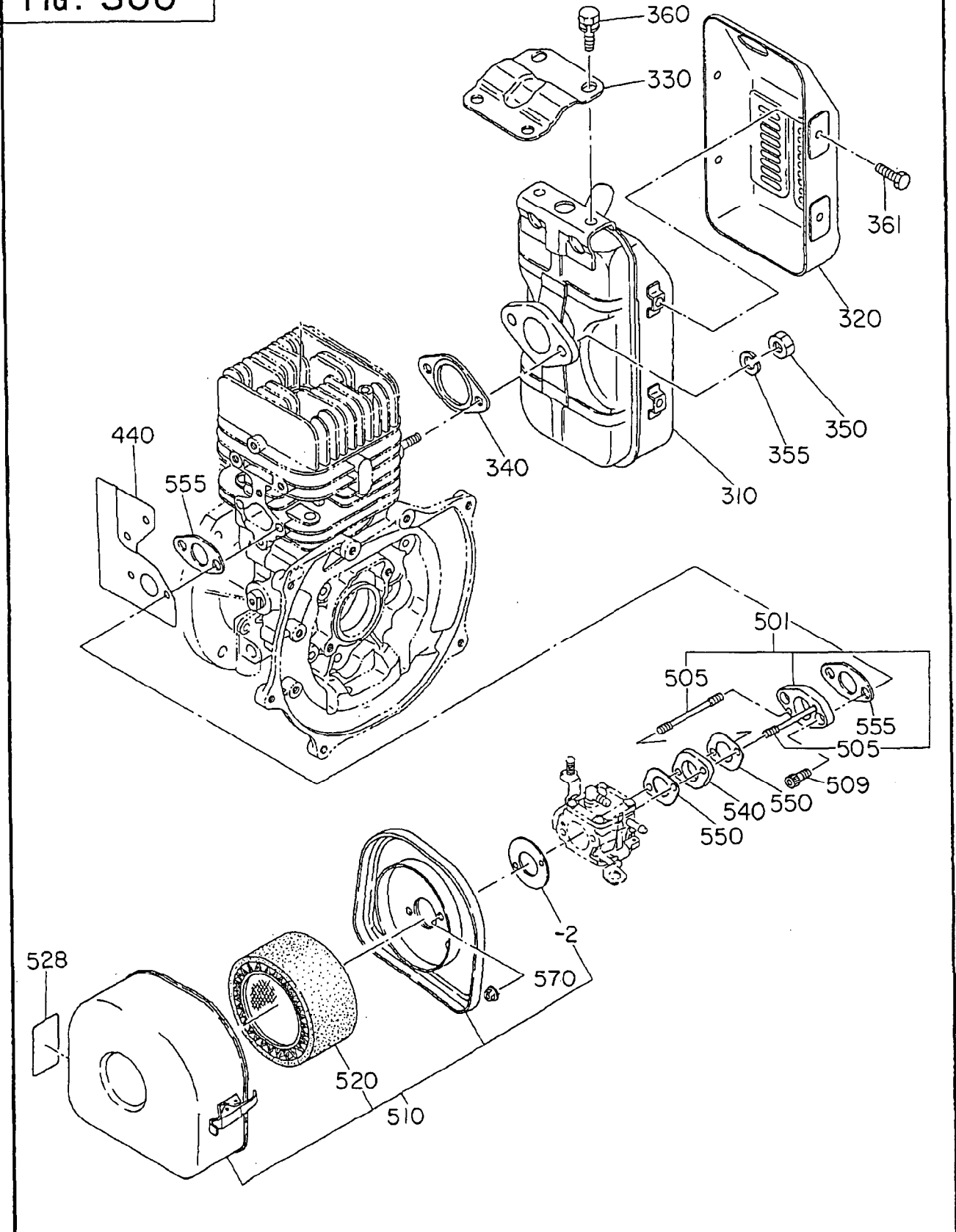




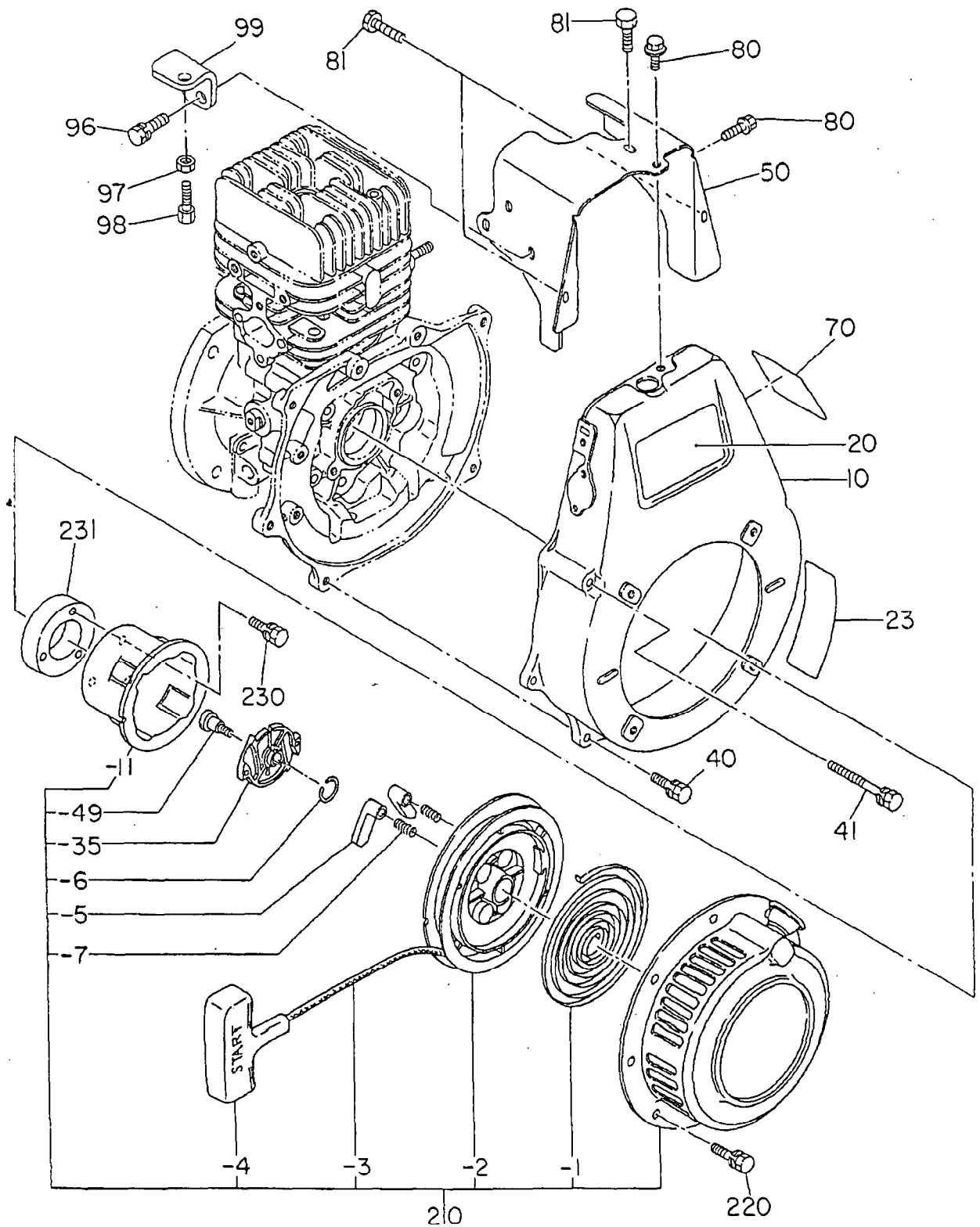
FIG. 300



3 INTAKE, EXHAUST

REF.	PART NUMBER	PART NAME	QTY	REMARKS	CODE NO. FROM-TO	INTERCHANGEABLE PART NUMBER	UNIT PRICE	FIG.
310	161-30201-11	MUFFLER CP	1		-			300
320	161-34220-01	MUFFLER COVER CP	1		-			300
330	161-35001-01	BRACKET(MUFFLER)	1		-			300
340	161-35201-11	GASKET CP(EXHAUST)	1		-			300
350	002-19080-00	NUT	2		-			300
355	003-20080-00	SPRING WASHER	2		-			300
360	001-13081-60	BOLT & WASHER AY	4		-			300
361	001-16061-00	BOLT & WASHER AY	4		-			300
440	161-52801-03	DEFLECTOR	1		-			300
501	106-33101-21	INTAKE FLANGE CP	1		-			300
505	010-50500-32	STUD	2		-			300
509	011-90600-20	BOLT(SOCKET HEAD)	2		-			300
510	161-32713-00	AIR CLEANER AY	1		-			300
- 2	106-32723-08	PACKING	1		-			300
520	106-32704-07	ELEMENT SET	1		-			300
528	073-20044-30	LABEL (CHOKE)	1		-	073-20050-20		300
540	106-32911-03	INSULATOR	1		-			300
550	106-65002-03	GASKET (CARB. )	2		-			300
555	157-35001-03	GASKET (INSULATOR)	2		-			300
570	017-60500-10	SELF LOCK NUT	2		-			300

FIG. 500

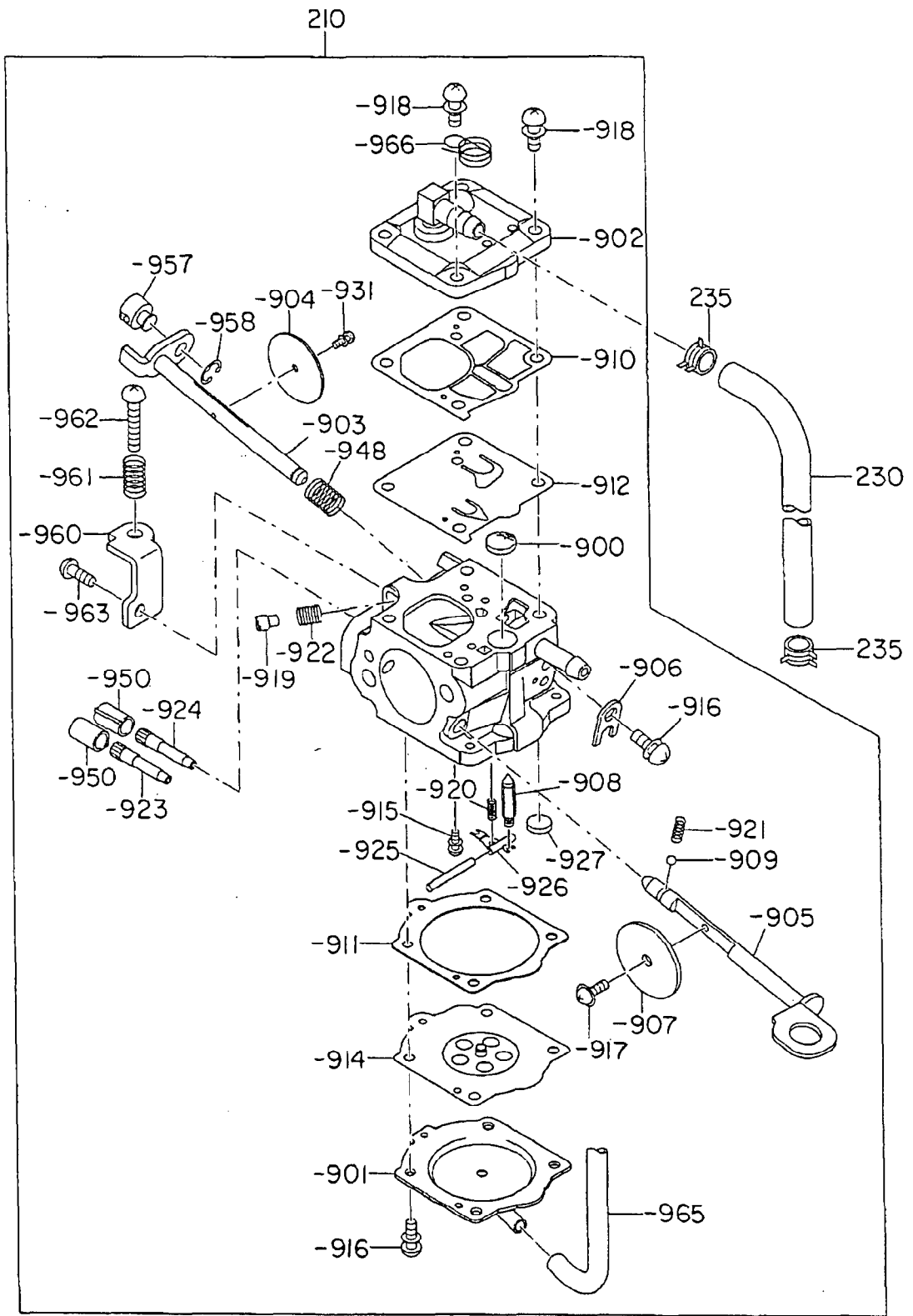




5 COOLING. STARING

REF.	PART NUMBER	PART NAME	QTY	REMARKS	CODE NO. FROM-TO	INTERCHANGEABLE PART NUMBER	UNIT PRICE	FIG.
10	161-51108-16	BLOWER HOUSING CP	1		-			500
20	161-91701-03	LABEL (TRADE MARK)	1		-			500
23	161-95201-03	LABEL (EMISSION CONT)	1		-			500
40	001-14062-00	BOLT AND WASHER AY	3		-			500
41	001-14065-50	BOLT AND WASHER AY	2		-			500
50	161-52601-23	CYLINDER BAFFLE	1		-			500
70	161-91860-03	LABEL (ENGINE NAME)	1		-			500
80	011-00600-20	FLANGE BOLT	4		-			500
81	015-20600-70	TAPPING BOLT	3		-			500
96	011-00600-20	FLANGE BOLT	1		-			500
97	002-17060-00	NUT	1		-			500
98	014-90600-40	ADJUSTING SCREW	1		-			500
99	161-44203-01	WIRE BRACKET	1		-	161-44203-11		500
210	161-50104-00	RECOIL STARTER AY	1		-			500
- 1	215-50515-08	SPIRAL SPRING	1		-			500
- 2	161-50120-08	REEL	1		-			500
- 3	161-50110-08	STARTER ROPE	1		-			500
- 4	236-50101-08	STARTER KNOB	1		-			500
- 5	161-50125-08	RATCHET	2		-			500
- 6	227-50131-08	FRICTION SPRING	1		-			500
- 7	227-50135-08	RETURN SPRING	2		-			500
- 11	161-50145-18	STARTER PULLEY	1		-			500
- 35	161-50150-08	RATCHET GUIDE	1		-			500
- 49	227-50152-08	SET SCREW	1		-			500
220	001-13061-20	BOLT AND WASHER AY	4		-	001-14061-20		500
230	001-13062-50	BOLT AND WASHER AY	3		-			500
231	161-55001-13	PULLEY SPACER	1		-			500

FIG. 600



## 6 FUEL. LUBRICANT

REF.	PART NUMBER	PART NAME	QTY	REMARKS	CODE NO. FROM-TO	INTERCHANGEABLE PART NUMBER	UNIT PRICE	FIG.
210	161-62453-00	CARBURETOR AY	1		-			600
-900	501-60040-10	SCREEN, INLET	1		-			600
-901	161-62375-08	COVER AY. METERING	1		-			600
-902	580-60840-20	COVER AY. PUMP	1		-			600
-903	161-62534-08	SHAFT AY THROTTLE	1		-			600
-904	161-62537-08	VALVE(THROTTLE)	1		-			600
-905	161-62523-08	SHAFT AY(CHOKE)	1		-			600
-906	510-60450-40	CLIP-THROTTLE SHAFT	1		-			600
-907	161-62527-08	VALE(CHOKE)	1		-			600
-908	106-62568-18	VALVE, INLET NEEDLE	1		-			600
-909	106-62569-08	BALL	1		-			600
-910	147-62562-08	GASKET(PUMP)	1		-			600
-911	106-62571-08	GASKET	1		-			600
-912	161-62200-08	DIAPHRAGM(PUMP)	1		-			600
-914	106-62574-08	DIAPHRAGM AY	1		-			600
-915	106-62575-08	SCREW	1		-			600
-916	106-62576-08	SCREW AY	5		-			600
-917	510-60451-40	SCREW-VALVE	1		-			600
-918	106-62578-08	SCREW (PUMP COVER)	4		-			600
-919	106-62589-08	SCREW (IDLE ADJUST)	1		-			600
-920	106-62596-08	SPRING(METERING LEV)	1		-			600
-921	106-62581-08	SPRING (CHOKE)	1		-			600
-922	106-62579-08	SPRING (IDLE)	1		-			600
-923	161-62501-08	NEEDLE(IDLE)	1		-			600
-924	161-62502-08	NEEDLE(HIGH SPEED)	1		-			600
-925	106-62585-08	PIN	1		-			600
-926	147-62576-08	LEVER(METERRING)	1		-			600
-927	161-62250-08	PLUG(WELCH)	1		-			600
-931	147-62573-08	SCREW (VALVE)	1		-			600
-948	161-62450-08	SPRING THROTTLE RTN.	1		-			600
-950	161-62388-08	CAP LIMITER	2		-			600
-957	161-62378-08	SWIVEL	1		-			600
-958	143-62564-08	RING	1		-			600
-960	161-62372-08	BRACKET	1		-			600
-961	147-62569-08	SPRING(NEEDLE)	1		-			600
-962	161-62386-08	SCREW	1		-			600

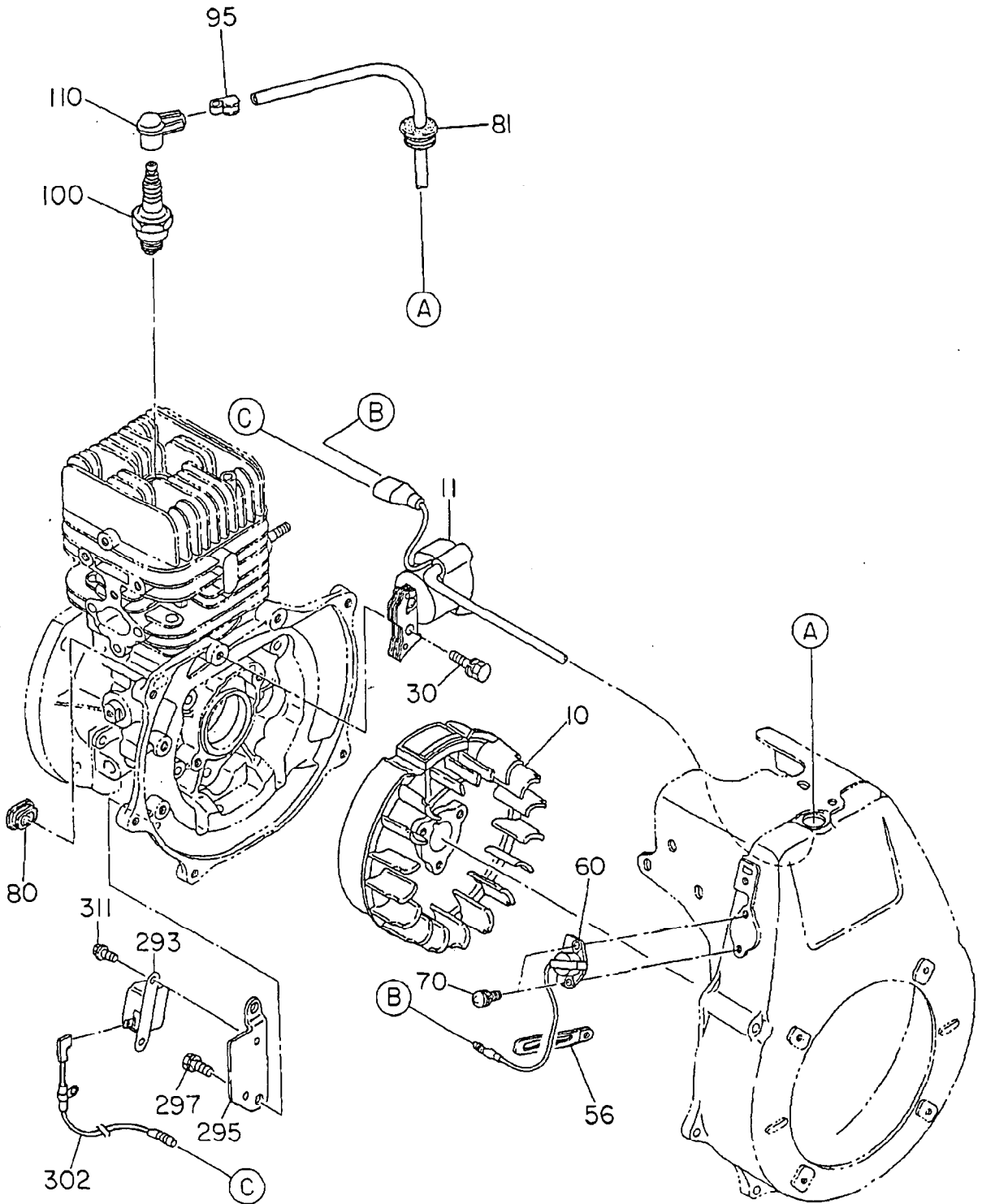
99/04/20

P. 10

EC120D47340 EX, WEBER, EPA



FIG. 700



7 ELECTRIC DEVICE

REF.	PART NUMBER	PART NAME	QTY	REMARKS	CODE NO. FROM-TO	INTERCHANGEABLE PART NUMBER	UNIT PRICE	FIG.
10	161-75001-01	FLY WHEEL CP	1		-	161-75001-11		700
11	161-71202-11	IGNITION COIL CP	1		-			700
30	001-10062-00	BOLT AND WASHER AY	2		-	001-14062-00		700
56	150-75201-03	CLAMP	1		-			700
60	066-00003-71	SWITCH AY	1		-			700
70	004-35041-20	SCREW AND WASHER AY	2		-			700
80	157-75002-03	GROMMET	1		-			700
81	161-75001-03	GROMMET (HIGH)	1		-			700
95	065-50001-00	PLUG TERMINAL	1		-			700
100	065-01404-70	SPARK PLUG	1		-			700
110	230-75101-13	SPARK PLUG CAP	1		-			700
293	161-71500-01	SPEED LIMITTER	1		-			700
295	161-75002-13	BRACKET (S. LIMITTER)	1		-			700
297	011-00600-20	FLANGE BOLT	2		-			700
302	161-71501-01	LEAD WIRE CP	1		-			700
311	001-16051-00	BOLT & WASHER AY	2		-			700

FIG. 900

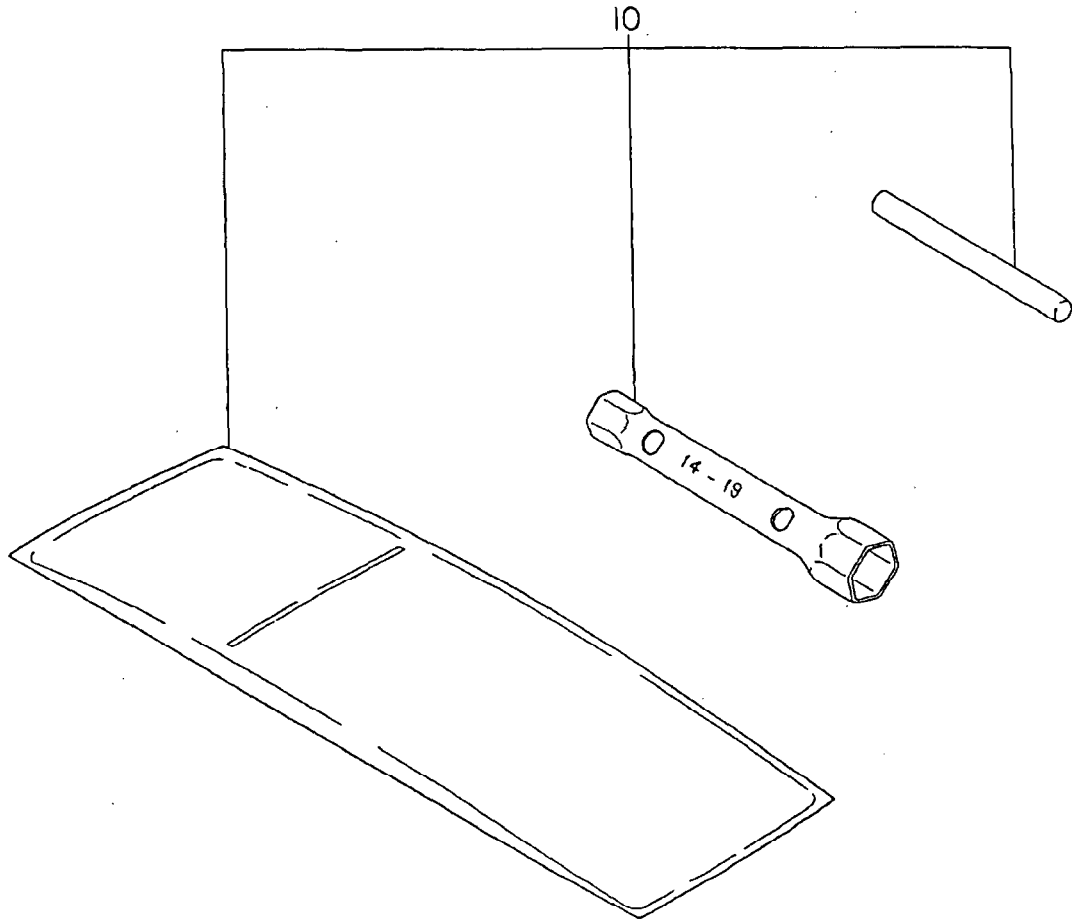
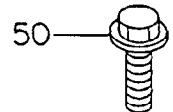
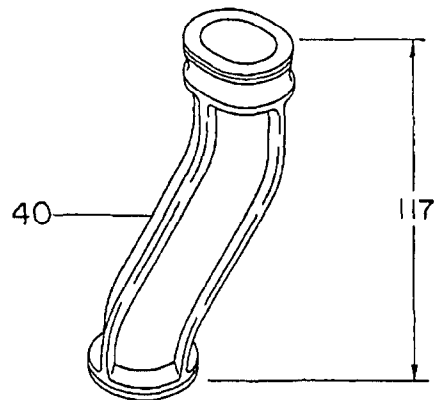
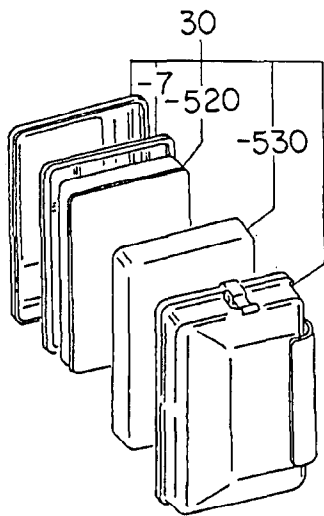
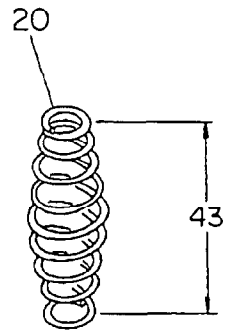






FIG. 1 000



10 OTHERS

REF.	PART NUMBER	PART NAME	QTY	REMARKS	CODE NO. FROM-TO	INTERCHANGEABLE PART NUMBER	UNIT PRICE	FIG.
10	005-32031-01	WOODRUFF KEY	1		-			1000
20	083-00000-10	RETURN SPRING	1		-			1000
30	161-32701-10	AIR CLEANER AY 1	1		-			1000
- 7	161-32700-08	ELEMENT FRAME CP	1		-			1000
-520	161-32611-08	ELEMENT	1		-			1000
-530	161-32612-08	ELEMENT	1		-			1000
40	161-33000-03	INTAKE PIPE	1		-			1000
50	001-14081-60	BOLT AND WASHER AY	4		-			1000