



Robin Engine

Model EC12

for BOMAG

STOW

PARTS CATALOG

Spec. No. EC120D47350

EPA

 **FUJI HEAVY INDUSTRIES LTD.**

ISSUE EMD-EP1406

FIG. 100

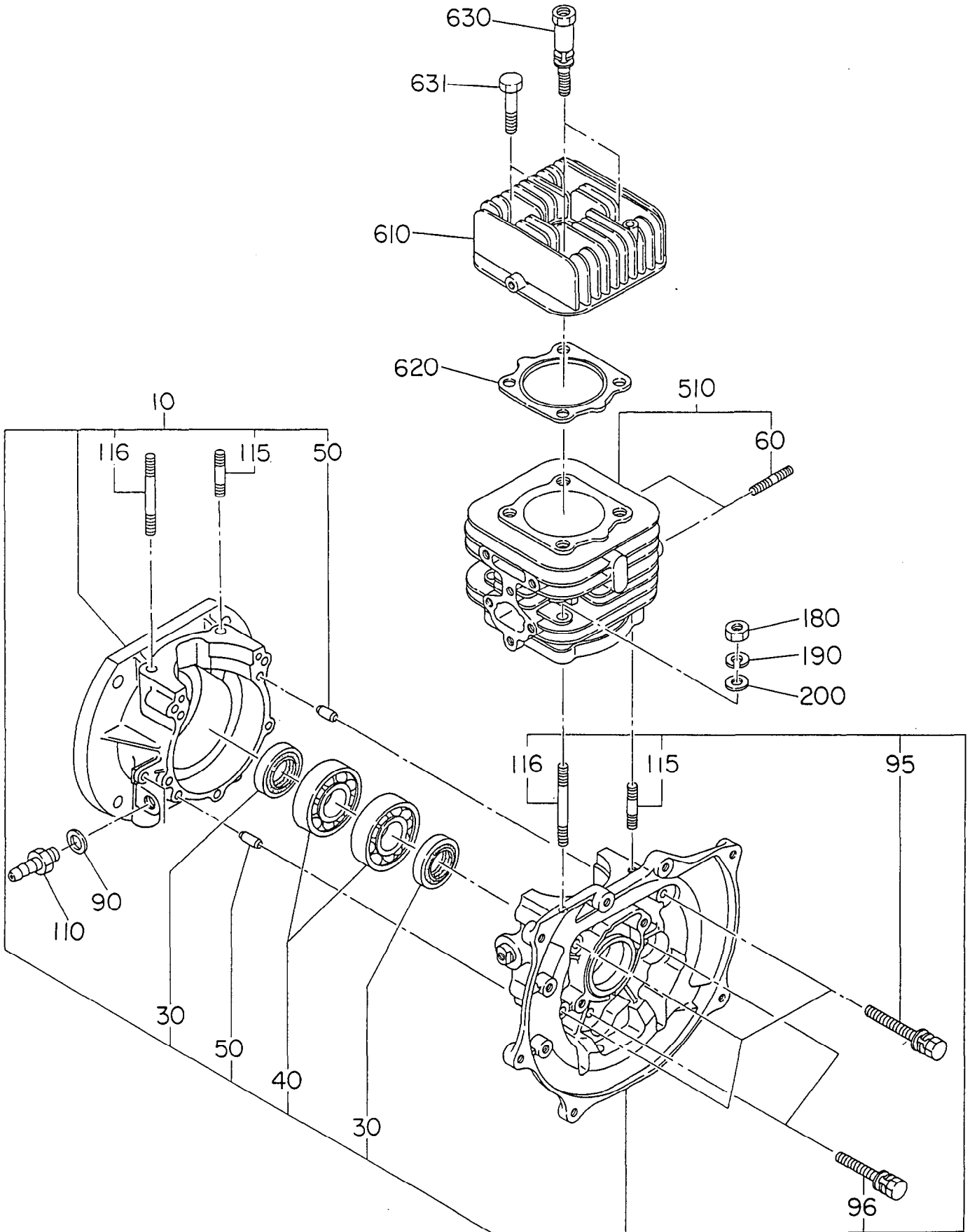
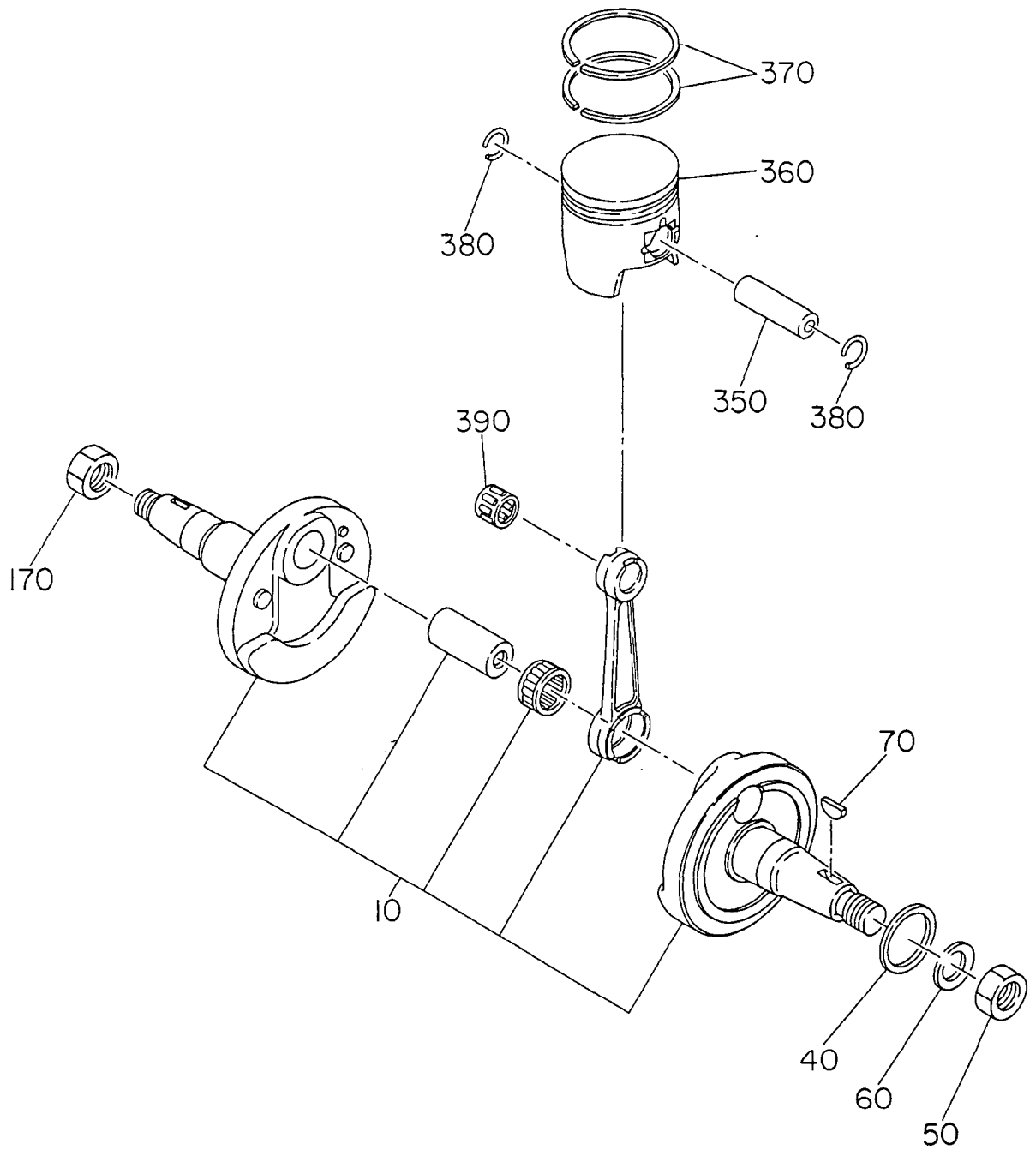


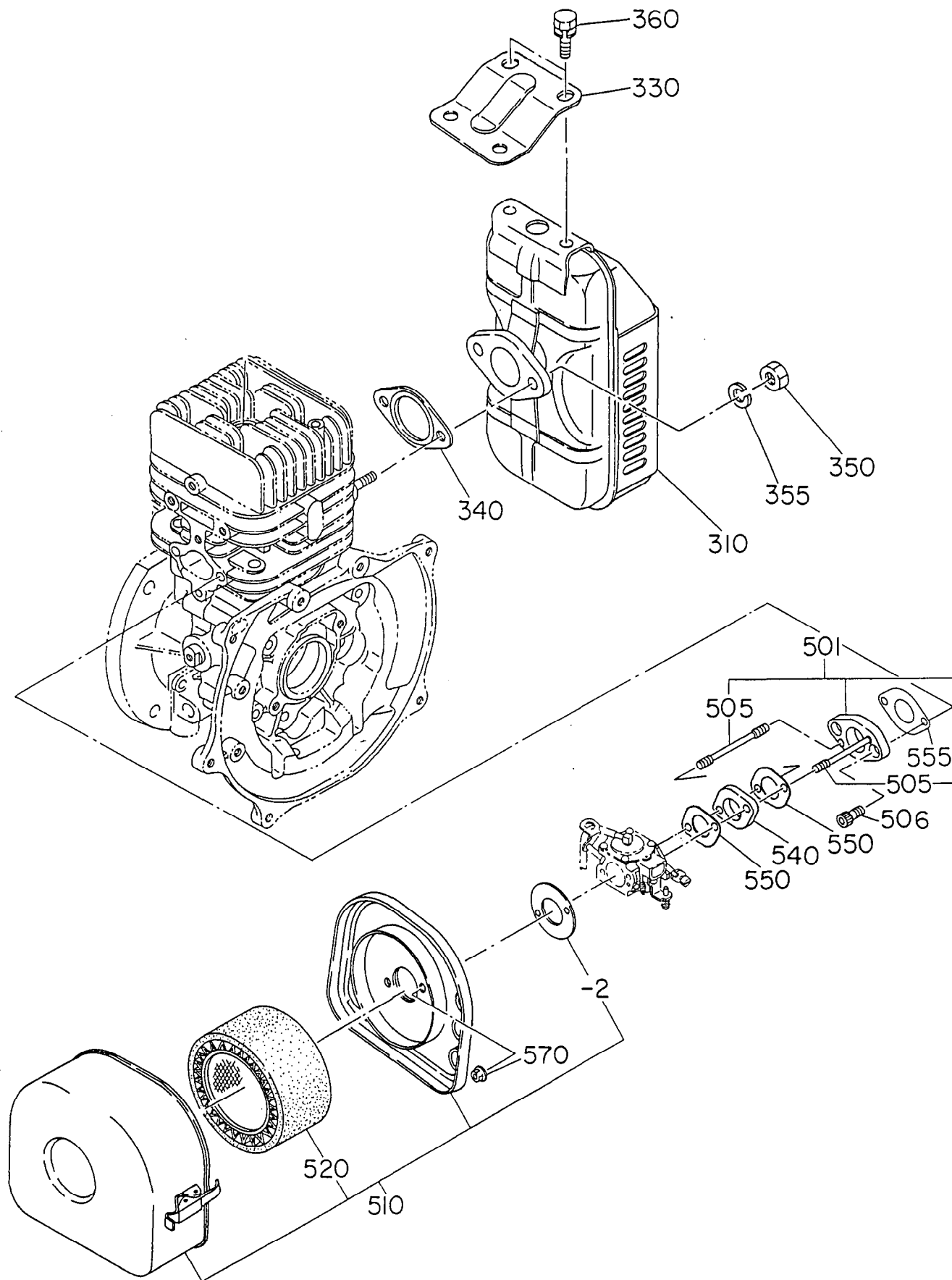
FIG. 200



2 CRANKSHAFT, PISTON

REF.	PART NUMBER	PART NAME	QTY	REMARKS	CODE NO. FROM-TO	INTERCHANGEABLE PART NUMBER	UNIT PRICE	FIG.
10	161-20601-10	CRANK SHAFT AY	1		-			200
40	161-25001-03	SPACER	3	T=0.1	-			200
	161-25002-03	SPACER	1	T=0.3	-			200
50	002-17140-00	NUT	1		-			200
60	003-20140-00	SPRING WASHER	1		-			200
70	005-32042-01	WOODRUFF KEY	1		-			200
170	017-01001-50	NUT	1		-			200
350	157-23301-03	PISTON PIN	1		-			200
360	161-23401-01	PISTON CP	1	STD.	-			200
	161-23402-01	PISTON CP	1	OVER SIZE 0.25MM	-			200
	161-23403-01	PISTON CP	1	OVER SIZE 0.50MM	-			200
370	161-23501-07	PISTON RING SET	1	STD.	-			200
	161-23502-07	PISTON RING SET	1	OVER SIZE 0.25MM	-			200
	161-23503-07	PISTON RING SET	1	OVER SIZE 0.50MM	-			200
380	056-51200-10	CLIP	2		-			200
390	061-01200-10	NEEDLE BEARING	1		-			200

FIG. 300



3 INTAKE, EXHAUST

REF.	PART NUMBER	PART NAME	QTY	REMARKS	CODE NO. FROM-TO	INTERCHANGEABLE PART NUMBER	UNIT PRICE	FIG.
310	161-30103-01	MUFFLER CP	1		-			300
330	161-35002-01	BRACKET (MUFFLER)	1		-			300
340	161-35201-11	GASKET CP (EXHAUST)	1		-			300
350	002-19080-00	NUT	2		-			300
355	003-20080-00	SPRING WASHER	2		-			300
360	001-13081-60	BOLT & WASHER AY	4		-			300
501	106-33101-21	INTAKE FLANGE CP	1		-			300
505	010-50500-32	STUD	2		-			300
506	011-90600-20	BOLT (SOCKET HEAD)	2		-			300
510	106-32727-20	AIR CLEANER AY	1		-			300
- 2	106-32723-08	PACKING	1		-			300
520	106-32704-07	ELEMENT SET	1		-			300
540	106-32911-03	INSULATOR	1		-			300
550	106-65002-03	GASKET (CARB.)	2		-			300
555	157-35001-03	GASKET (INSULATOR)	1		-			300
570	017-60500-10	SELF LOCK NUT	2		-			300

FIG. 500

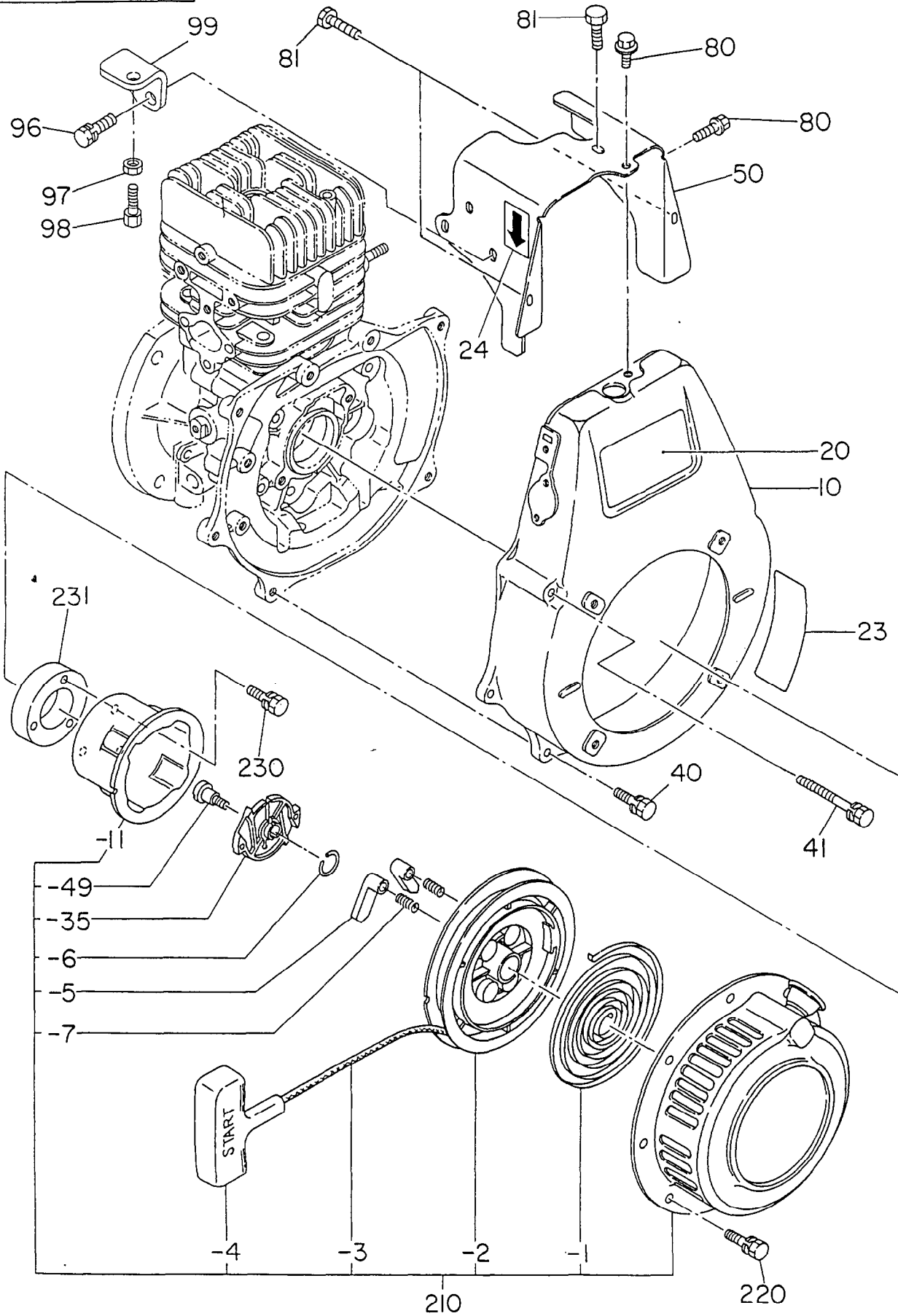
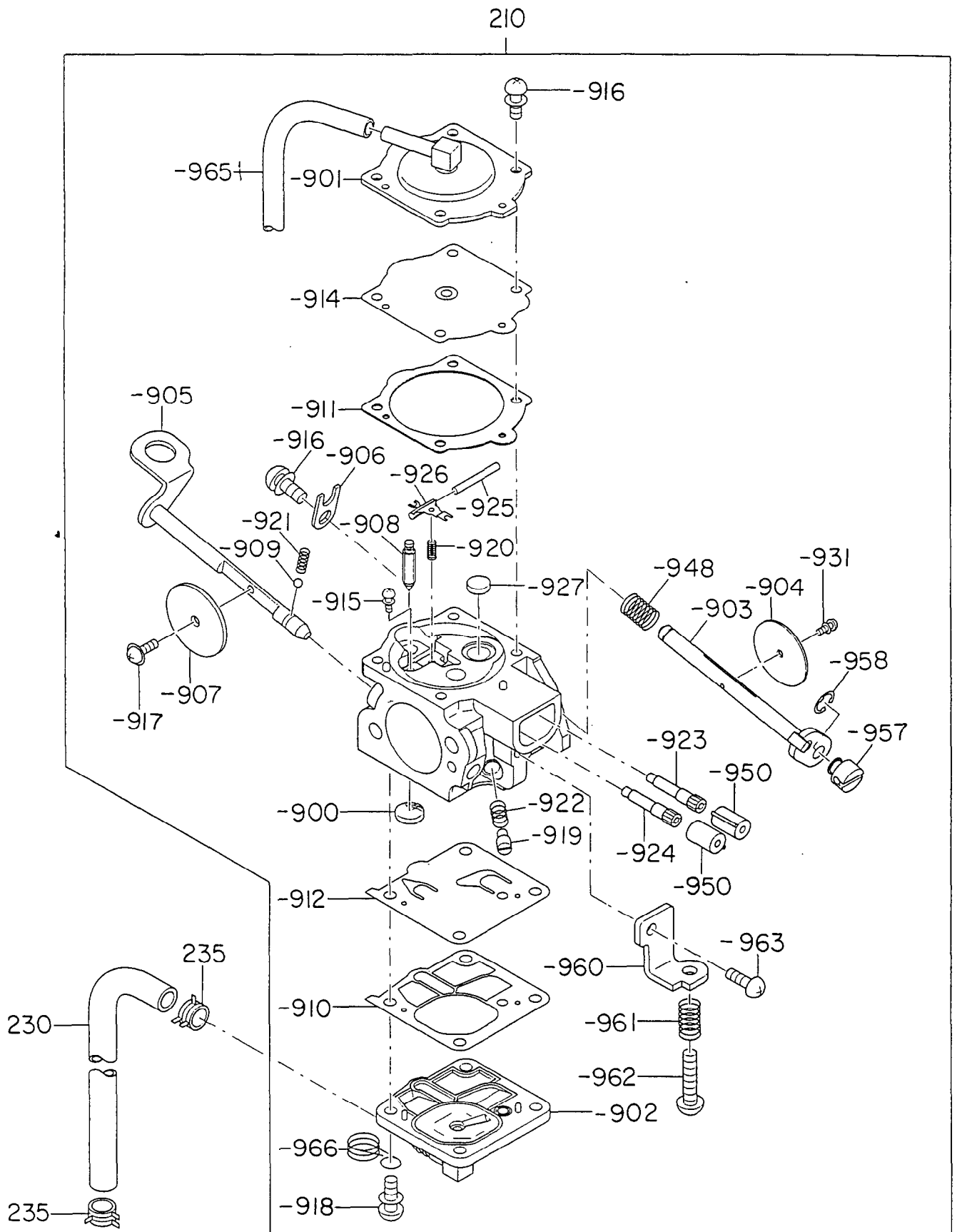


FIG. 600



6 FUEL, LUBRICANT

REF.	PART NUMBER	PART NAME	QTY	REMARKS	CODE NO. FROM-TO	INTERCHANGEABLE PART NUMBER	UNIT PRICE	FIG.
210	161-62454-00	CARBURETOR AY	1		-			600
-900	501-60040-10	SCREEN, INLET	1		-			600
-901	161-62375-08	COVER AY. METERING	1		-			600
-902	161-62389-08	COVER AY (PUMP)	1		-			600
-903	161-62534-08	SHAFT AY THROTTLE	1		-			600
-904	161-62537-08	VALVE (THROTTLE)	1		-			600
-905	161-62390-08	SHAFT AY (CHOKE)	1		-			600
-906	510-60450-40	CLIP-THROTTLE SHAFT	1		-			600
-907	161-62527-08	VALE (CHOKE)	1		-			600
-908	106-62568-18	VALVE, INLET NEEDLE	1		-			600
-909	106-62569-08	BALL	1		-			600
-910	147-62562-08	GASKET (PUMP)	1		-			600
-911	106-62571-08	GASKET	1		-			600
-912	161-62200-08	DIAPHRAGM (PUMP)	1		-			600
-914	106-62574-08	DIAPHRAGM AY	1		-			600
-915	106-62575-08	SCREW	1		-			600
-916	106-62576-08	SCREW AY	5		-			600
-917	510-60451-40	SCREW-VALVE	1		-			600
-918	106-62578-08	SCREW (PUMP COVER)	4		-			600
-919	106-62589-08	SCREW (IDLE ADJUST)	1		-			600
-920	106-62596-08	SPRING (METERING LEV)	1		-			600
-921	106-62581-08	SPRING (CHOKE)	1		-			600
-922	106-62579-08	SPRING (IDLE)	1		-			600
-923	161-62501-08	NEEDLE (IDLE)	1		-			600
-924	161-62502-08	NEEDLE (HIGH SPEED)	1		-			600
-925	106-62585-08	PIN	1		-			600
-926	147-62576-08	LEVER (METERING)	1		-			600
-927	161-62250-08	PLUG (WELCH)	1		-			600
-931	147-62573-08	SCREW (VALVE)	1		-			600
-948	161-62450-08	SPRING THROTTLE RTN.	1		-			600
-950	161-62388-08	CAP LIMITER	2		-			600
-957	161-62391-08	SWIVEL	1		-			600
-958	143-62564-08	RING	1		-			600
-960	161-62372-08	BRACKET	1		-			600
-961	147-62569-08	SPRING (NEEDLE)	1		-			600
-962	161-62386-08	SCREW	1		-			600

FIG. 700

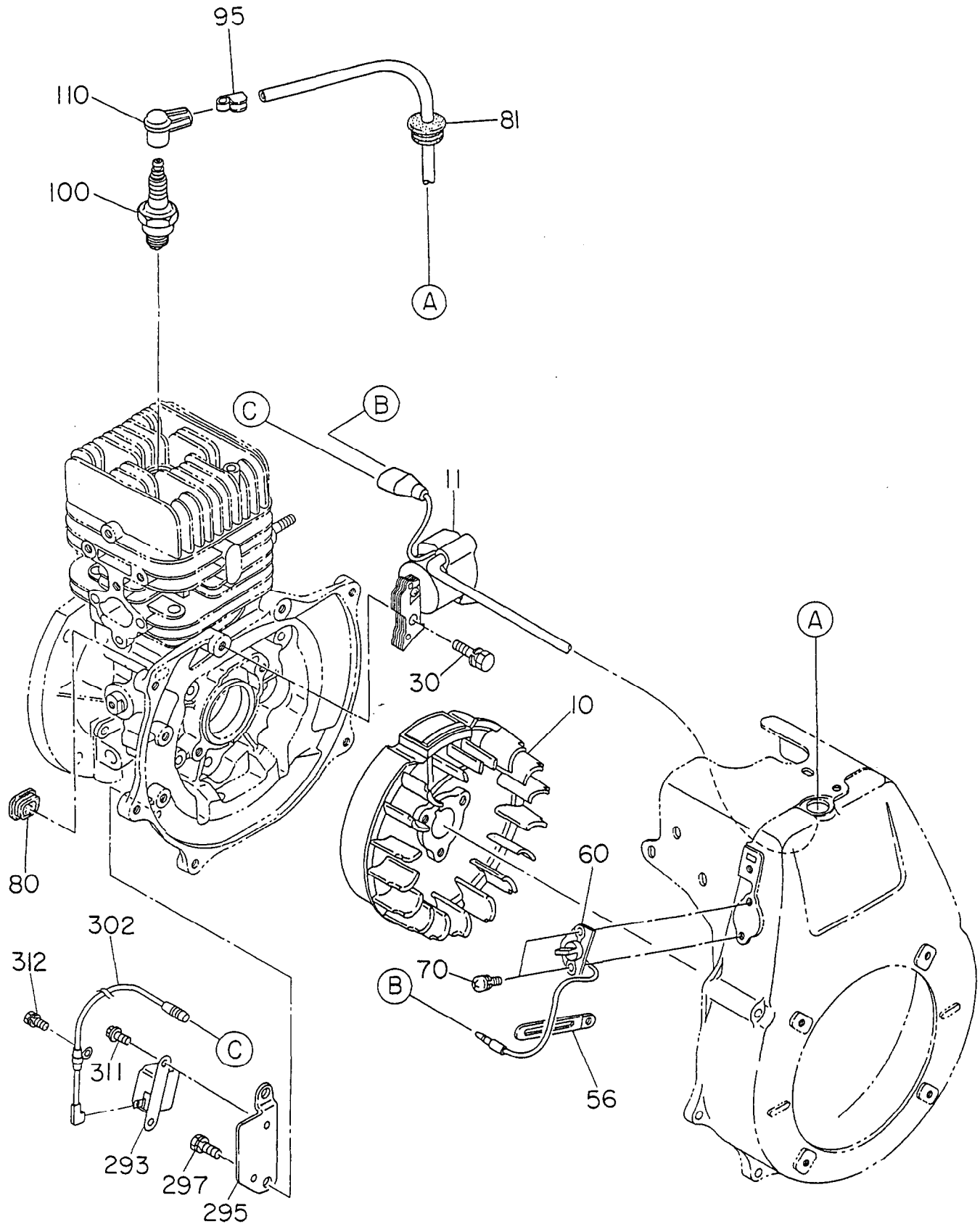


FIG. 900

