



YAMAHA

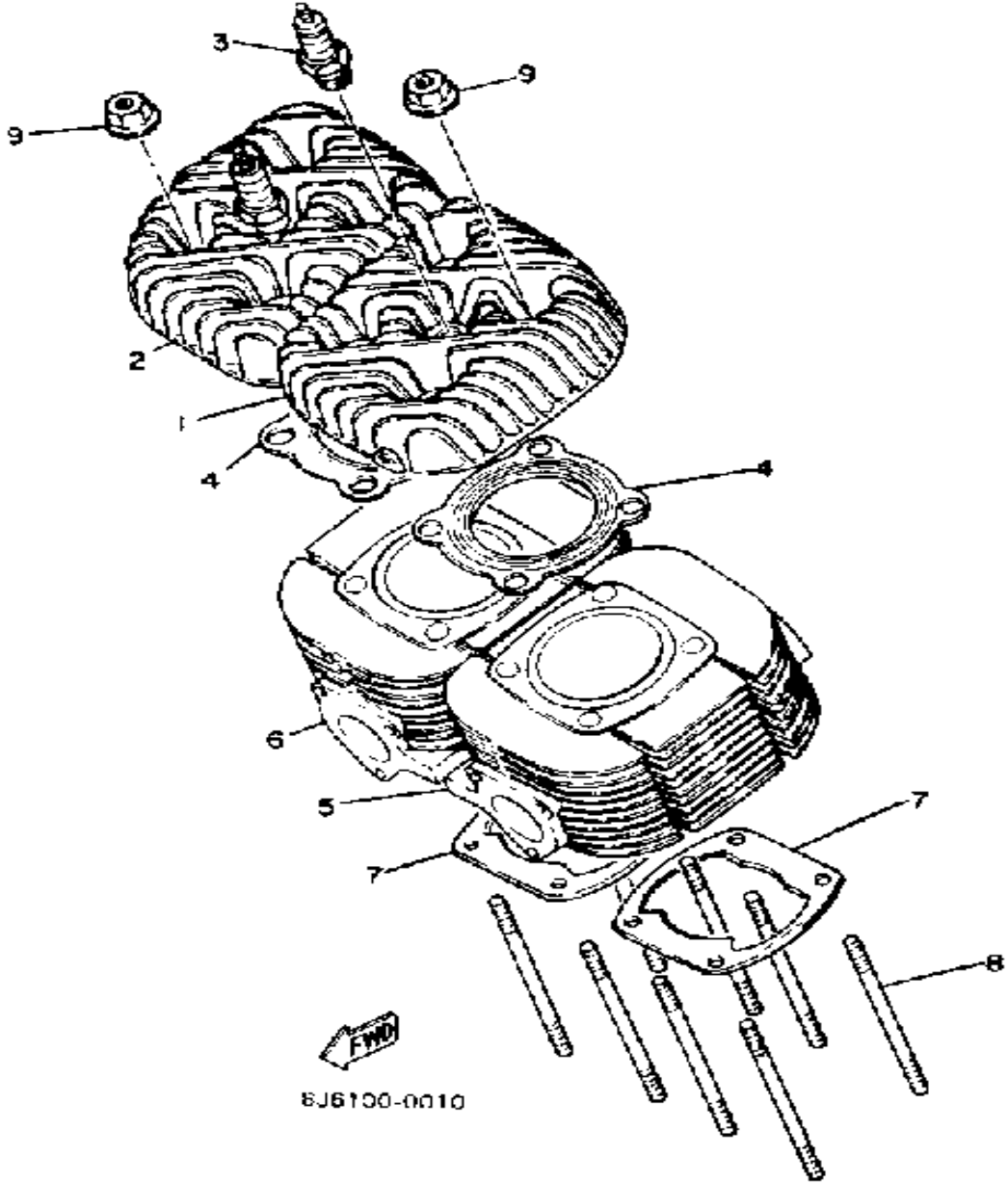
GENUINE

PARTS CATALOGUE

SNOWMOBILE

Property of www.SmallEngineDiscount.com - Not for Resale

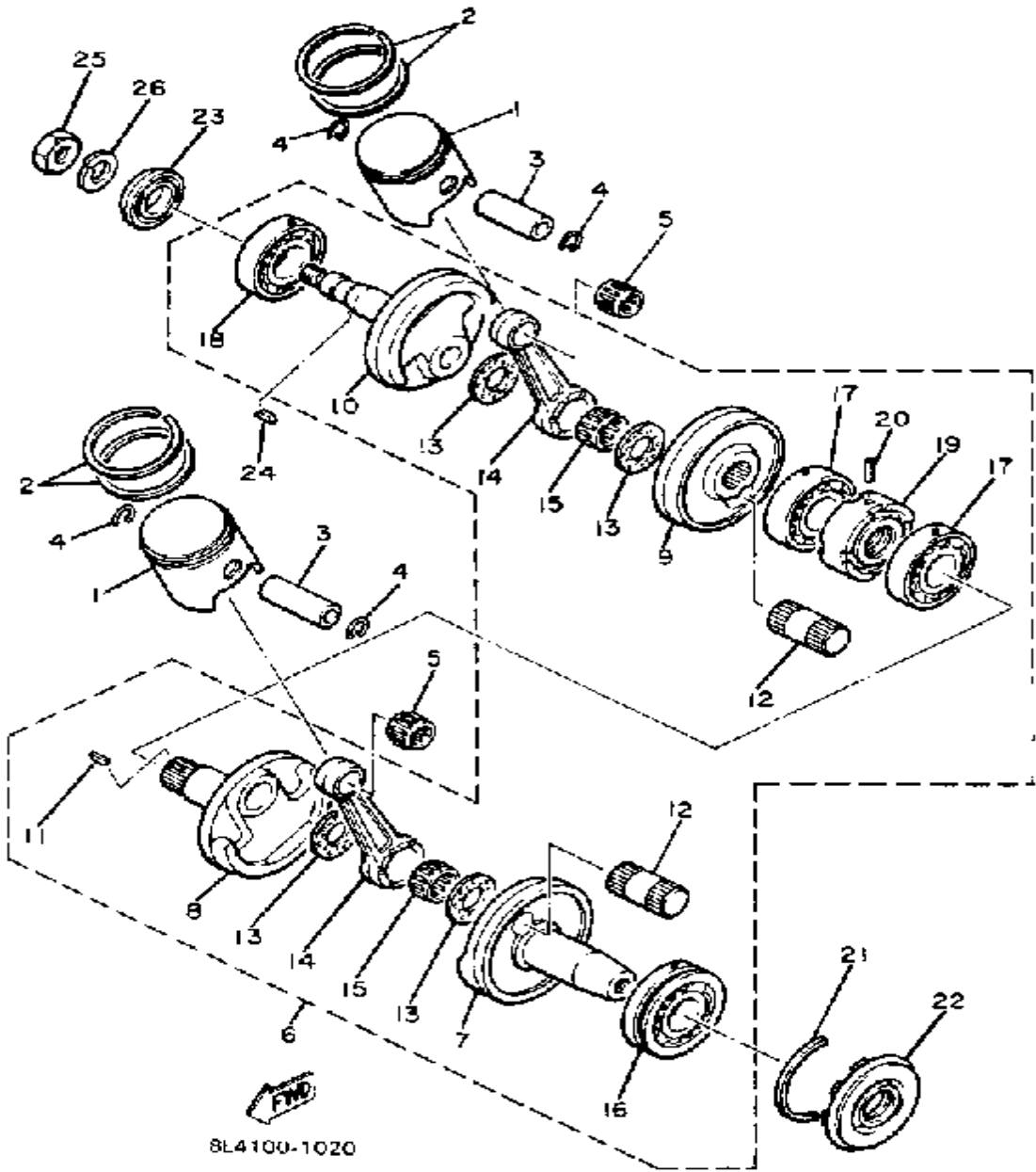
CYLINDER



Ref. No.	Part Number	Description	Qty	Remarks
1	8G8-11111-00-00	HEAD, CYLINDER 1	1	
2	8G8-11121-00-00	HEAD, CYLINDER 2	1	
3	NGK-BR9ES-00-00	PLUG, SPARK	2	
4	8G8-11181-01-00	GASKET, CYLINDER HEAD 1 .	2	
5	8G8-11311-00-00	CYLINDER 1	1	
6	8G8-11321-00-00	CYLINDER 2	1	
7	846-11351-01-00	GASKET, CYLINDER	2	
8	90116-08107-00	BOLT, STUD	8	
9	95701-08500-00	NUT, FLANGE	8	

Property of www.SmallEngineDiscount.com - Not for Resale

CRANKSHAFT - PISTON

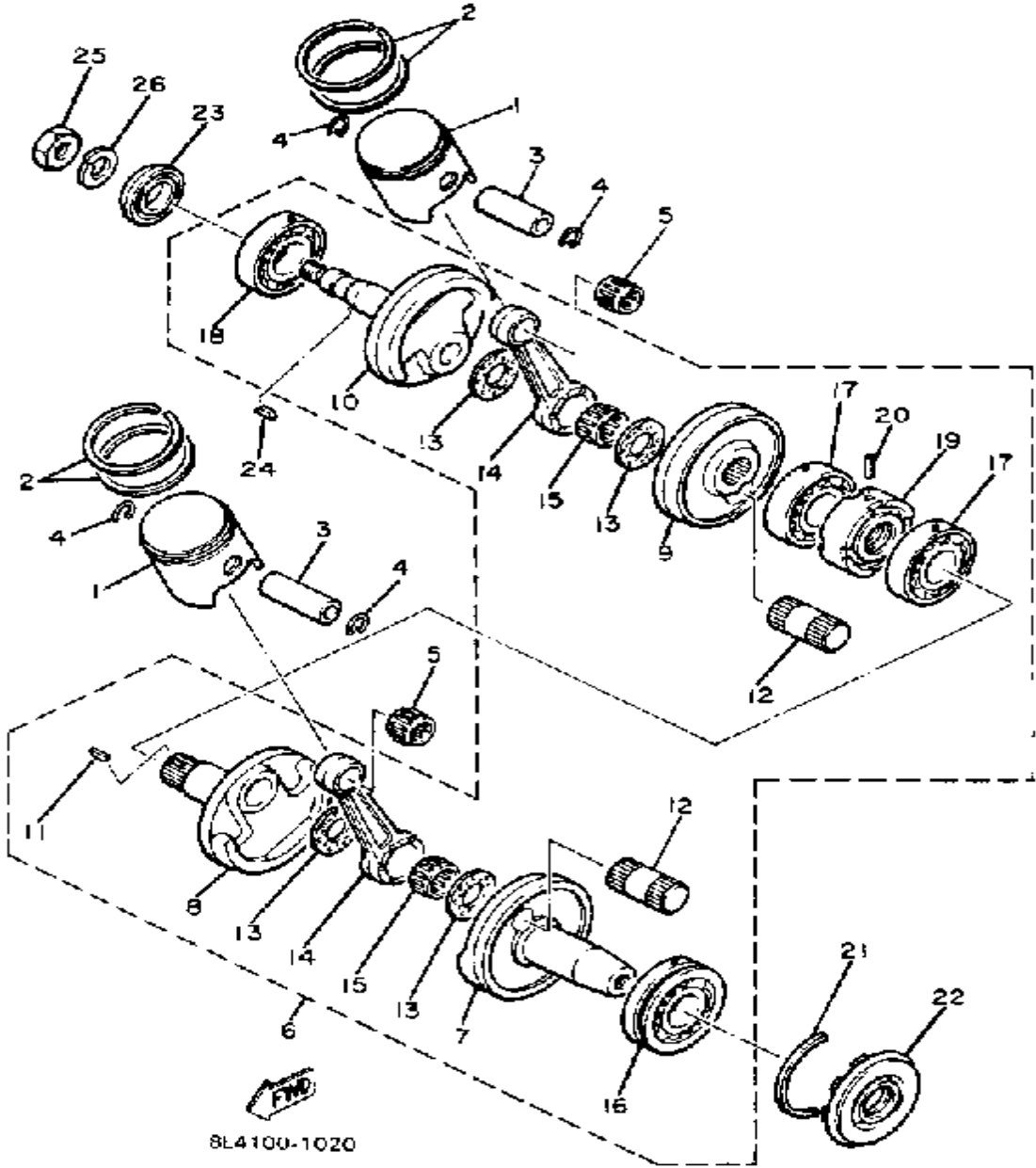


Ref. No.	Part Number	Description	Qty	Remarks
1	8G8-11631-01-96	PISTON STD.	2	U.R.
	8G8-11635-00-00	PISTON 1 O/S 0.5	2	ALTERNATE PART
	8G8-11636-00-00	PISTON 2 O/S 0.0	2	ALTERNATE PART
2	8G8-11601-00-00	PISTON RING SET (STD)	2	U.R.äSTD
	8G8-11601-10-00	PISTON RING SET (0.25MM O/S)	2	ALTERNATE PART
	8G8-11601-20-00	PISTON RING SET (0.50MM O/S)	2	ALTERNATE PART
3	137-11633-00-00	PIN, PISTON	2	
4	93450-17025-00	CIRCLIP	4	
5	93310-216E1-00	BEARING	2	
6	8L3-11400-00-00	CRANKSHAFT ASSEMBLY ...	1	
7	8G8-11412-01-00	. CRANK 1	1	
8	8L3-11422-01-00	. CRANK 2	1	
9	8L3-11432-01-00	. CRANK 3	1	
10	8G8-11442-01-00	. CRANK 4	1	
11	90280-05014-00	. KEY, WOODRUFF	1	
12	8G8-11681-00-00	. PIN, CRANK 1	2	
13	90209-22248-00	. WASHER	4	
14	34X-11651-00-00	. ROD, CONNECTING	2	
15	93310-42277-00	BEARING, CYLINDER.#10 (93310-42231)	2	
16	93306-30618-00	. BEARING (B6306)	1	
17	93306-20617-00	. BEARING (B6206)	2	
18	93306-30564-00	. BEARING	1	
19	8L3-11515-01-00	. SEAL, LABYRINTH 1	1	
20	91609-30010-00	. PIN, SPRING	1	
21	93440-72049-00	CIRCLIP	1	
22	93102-30184-00	OIL SEAL, SD-TYPE	1	
23	93102-25183-00	OIL SEAL	1	

CONTINUED ON NEXT FRAME ➤

Property of www.SmallEngineDiscount.com - Not for Resale

CRANKSHAFT - PISTON

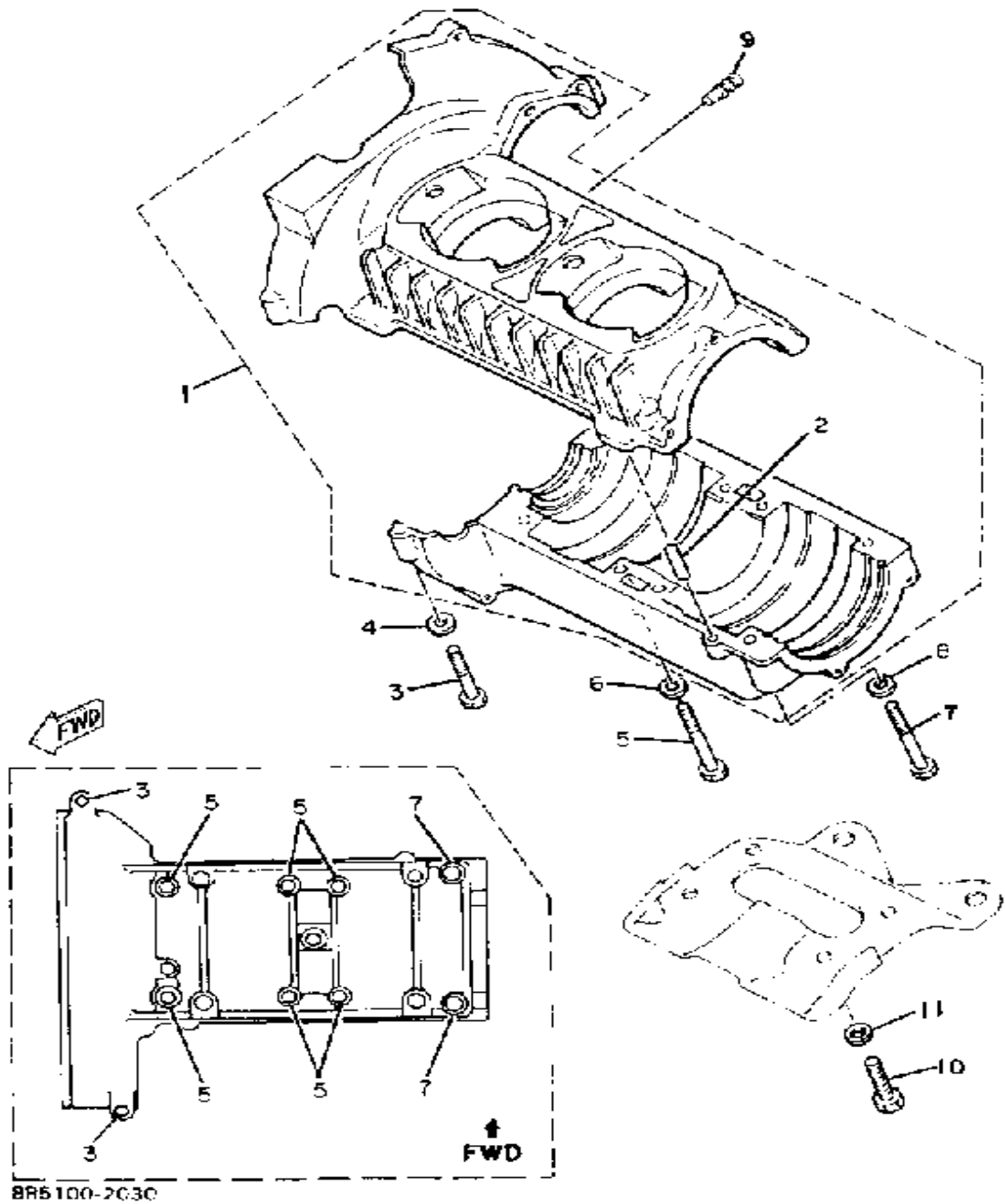


Ref. No.	Part Number	Description	Qty	Remarks
24	90280-16053-00	KEY, WOODRUFF	1	
25	90170-16182-00	NUT	1	
26	92901-16100-00	WASHER, SPRING	1	

Property of www.SmallEngineDiscount.com - Not for Resale

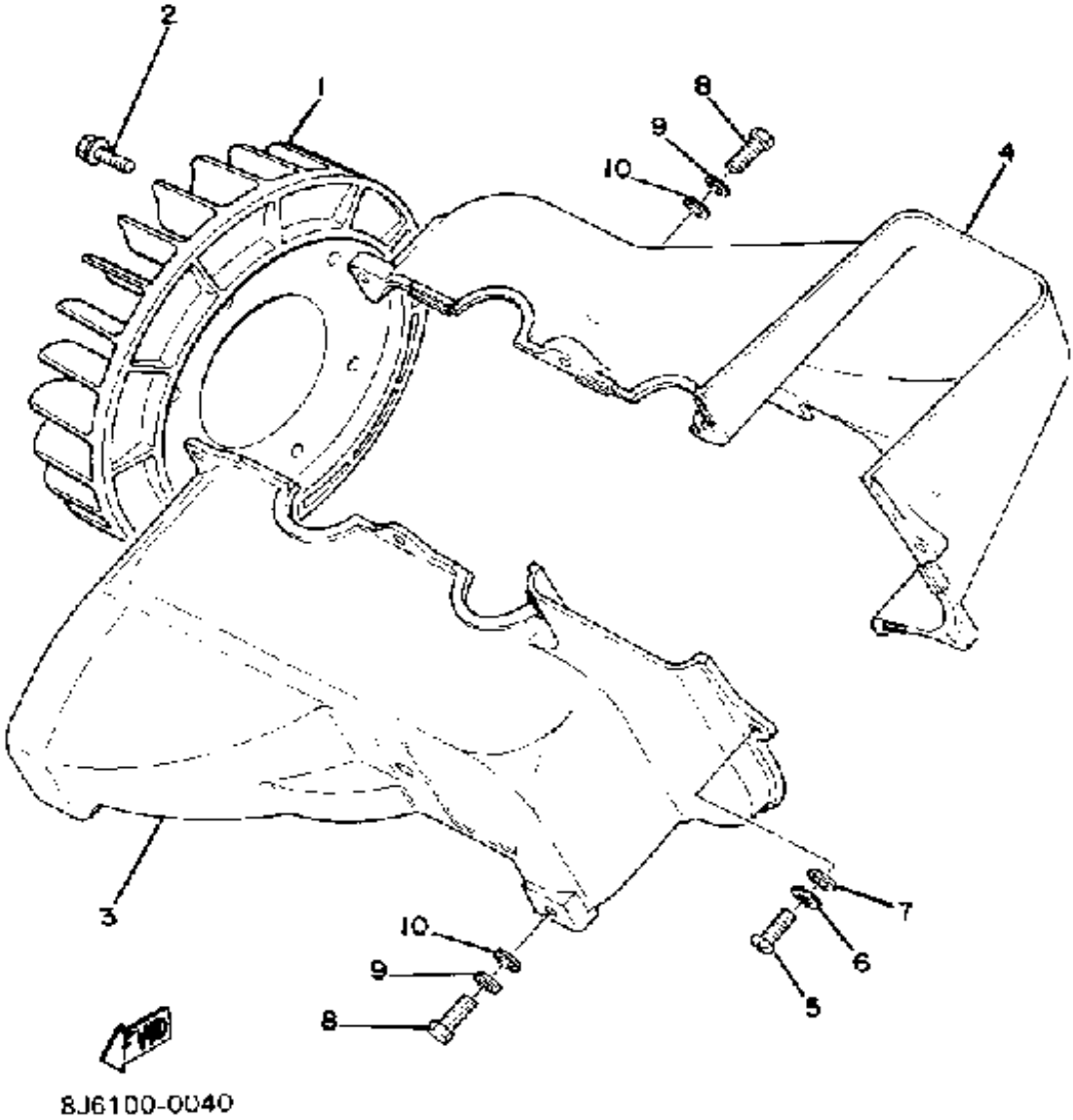
CRANKCASE

Ref. No.	Part Number	Description	Qty	Remarks
1	(8J4-15100-00-00)	CRANKCASE ASSEMBLY	1	
2	93605-10108-00	. PIN, DOWEL	2	
3	97313-08040-00	BOLT, HEXAGON (97322-08040)	2	
4	92901-08600-00	WASHER	2	
5	97013-08060-00	BOLT (663)	6	
6	92901-08600-00	WASHER	6	
7	97021-08070-00	BOLT	2	
8	92901-08600-00	WASHER	2	
9	8G8-24461-00-00	PIPE, JOINT	1	
10	90106-10034-00	BOLT, DOME HEAD	4	
11	92990-10100-00	WASHER, SPRING	4	



Property of www.SmallEngineDiscount.com - Not for Resale

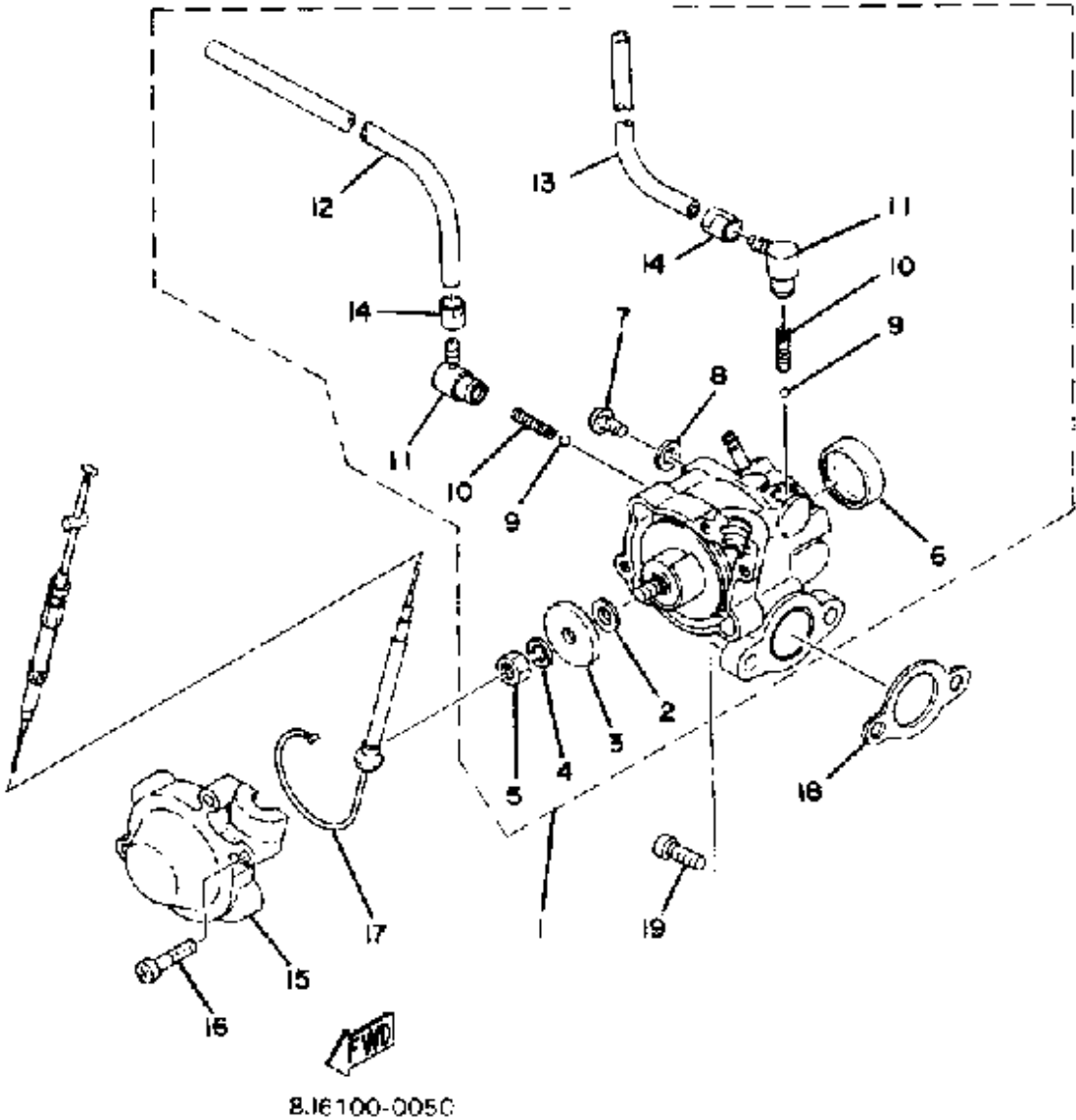
AIR SHROUD - FAN



Ref. No.	Part Number	Description	Qty	Remarks
1	8G8-12611-01-00	FAN	1	
2	95811-06012-00	BOLT, FLANGE	6	
3	8G8-12651-00-00	AIR SHROUD, CYLINDER 1 ...	1	
4	8G8-12652-00-00	AIR SHROUD, CYLINDER 2 ...	1	
5	98506-06016-00	SCREW, PANHEAD	5	
6	92906-06100-00	WASHER, SPRING	5	
7	92906-06600-00	WASHER	5	
8	97313-06016-00	BOLT, HEXAGON	6	
9	92995-06100-00	WASHER, SPRING	6	
10	90201-06059-00	WASHER, PLATE	6	

Property of www.SmallEngineDiscount.com - Not for Resale

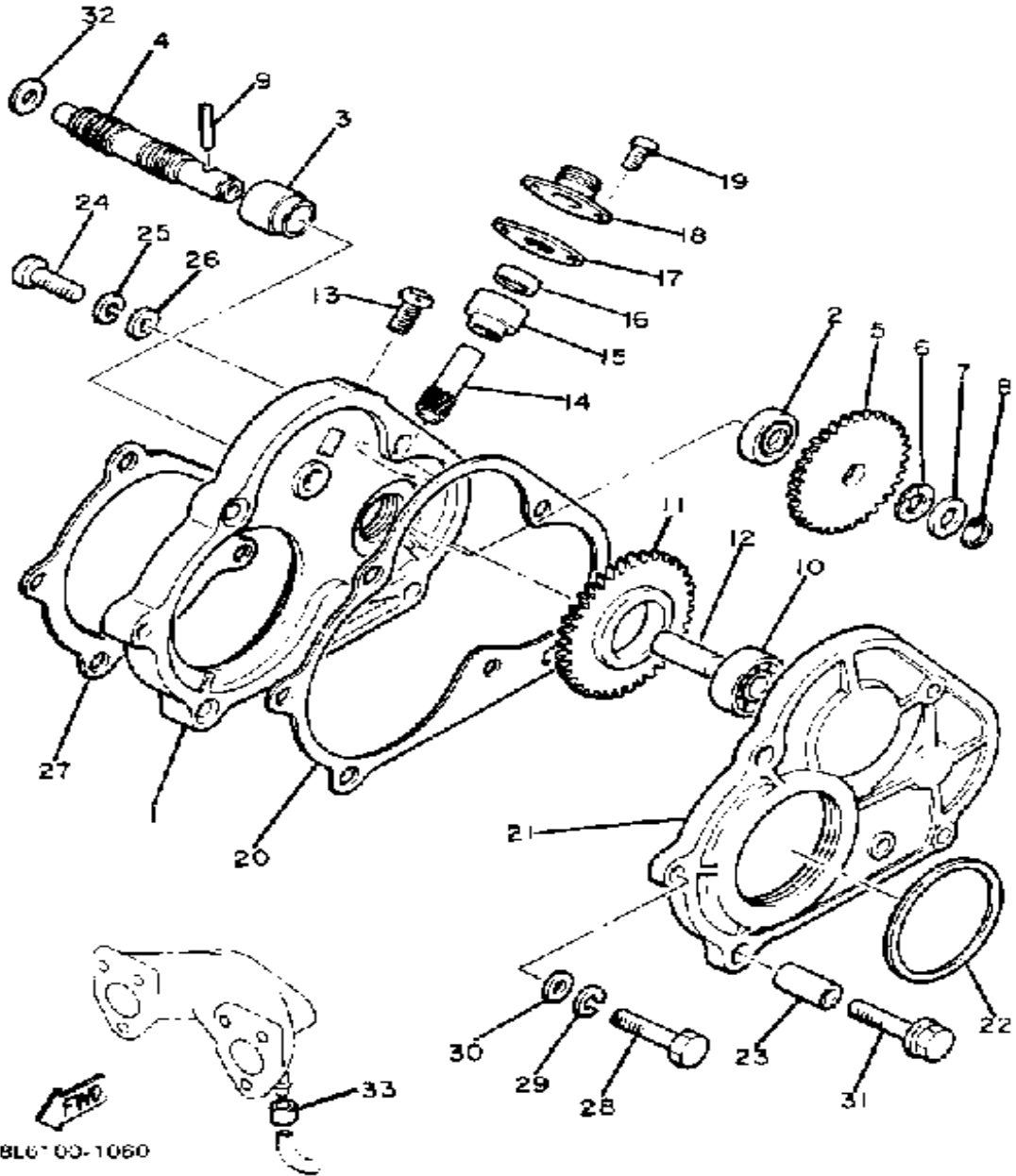
OIL PUMP



Ref. No.	Part Number	Description	Qty	Remarks
1	8G8-13101-00-00	OIL PUMP ASSEMBLY	1	
2	137-13137-00-03	. SHIM (0.3T)	1	U.R.
	137-13137-00-05	. SHIM (0.5T)	1	U.R.
	137-13137-00-10	. SHIM (1.0T)	1	U.R.
3	137-13138-01-00	. PLATE, ADJUSTING	1	
4	92990-05100-00	. WASHER, SPRING	1	
5	95380-05600-00	. NUT	1	
6	90338-21100-00	. PLUG	1	
7	98901-04008-00	. SCREW, BIND	1	
8	90430-04004-00	. GASKET	1	
9	93505-32002-00	. BALL	2	
10	90501-02018-00	. SPRING, COMPRESSION	2	
11	353-13552-01-00	. NOZZLE	2	
12	90445-05019-00	. HOSE	1	
13	90445-052F5-00	. HOSE	1	
14	90468-02033-00	. CLIP	2	
15	8A5-13146-01-00	COVER, ADJUST PULLEY	1	
16	98506-04018-00	SCREW, PAN HEAD	3	
17	8G8-26320-01-00	PUMP CABLE ASSEMBLY	1	
18	3MT-13116-00-00	GASKET, PUMP CASE (8Y0-13116-00)	1	
19	98580-05014-00	SCREW, PAN HEAD	2	

Property of www.SmallEngineDiscount.com - Not for Resale

PUMP DRIVE - GEAR

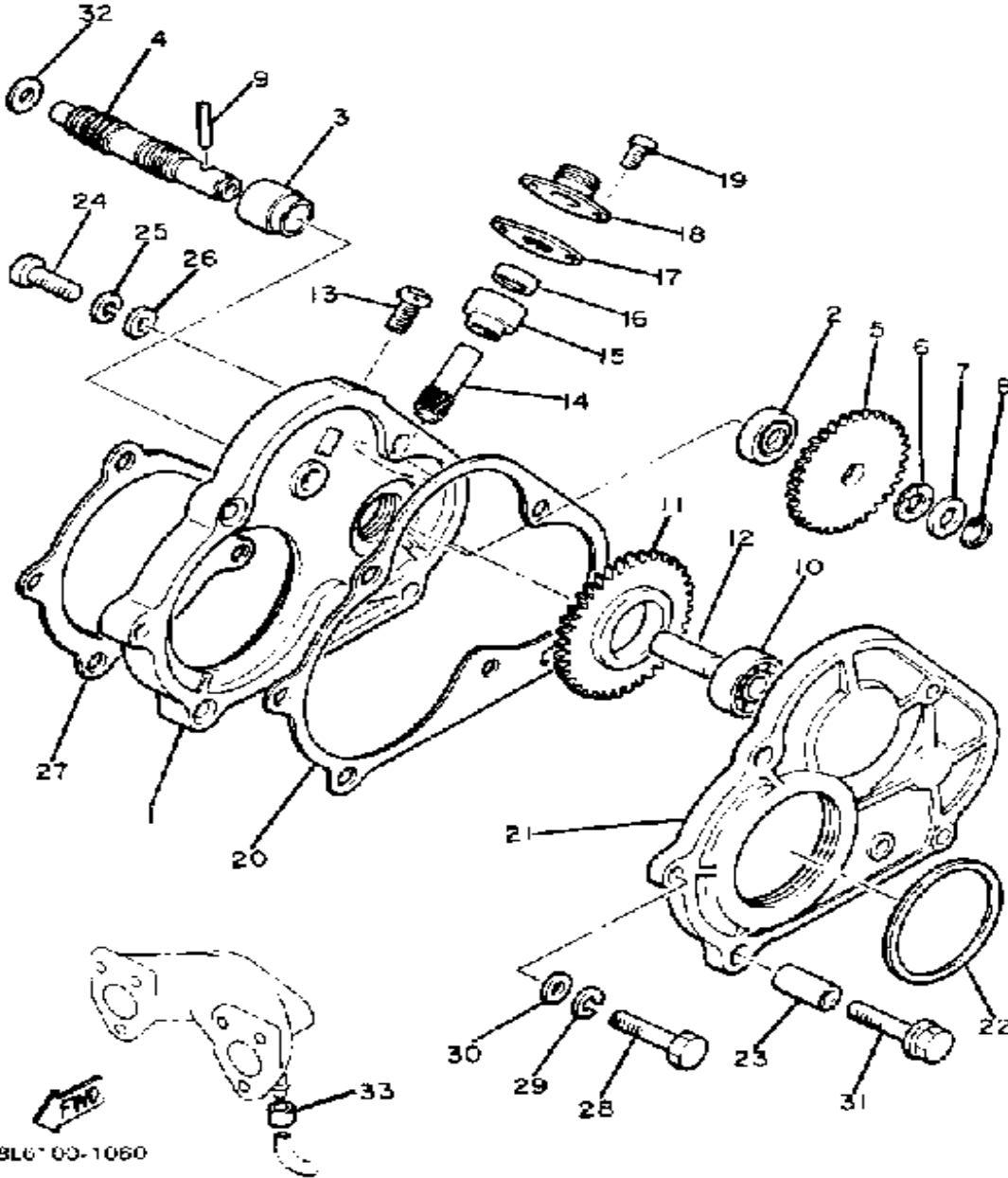


Ref. No.	Part Number	Description	Qty	Remarks
1	8G8-15416-00-00	COVER, OIL PUMP	1	
2	93101-10090-00	OIL SEAL	1	
3	821-13176-00-00	METAL, WORM SHAFT OUTER	1	
4	821-13175-00-00	SHAFT, WORM	1	
5	821-13188-00-00	GEAR, DRIVE (32T)	1	
6	90206-11016-00	WASHER, WAVE	1	
7	137-13148-00-00	PLATE, CAM THRUST	1	
8	99009-10400-00	CIRCLIP	1	
9	93603-22028-00	PIN, DOWEL	1	
10	93306-00002-00	BEARING (B6000RS)	1	
11	8G8-13179-00-00	GEAR, IDLE	1	
12	8G8-13342-00-00	SHAFT, IDLE GEAR	1	
13	98580-06012-00	SCREW, PAN HEAD	1	
14	813-17841-00-00	GEAR, DRIVEN (10T)	1	
15	821-17843-00-00	BUSH, DRIVEN GEAR OUTER	1	
16	93104-06033-00	OIL SEAL	1	
17	821-17818-02-00	GASKET	1	
18	821-17819-00-00	CAP, HOUSING	1	
19	98580-05010-00	SCREW, PAN HEAD	2	
20	8G8-15466-01-00	GASKET 2	1	
21	8G8-15426-00-00	COVER, OIL PUMP R	1	
22	93112-53004-00	OIL SEAL, SR-TYPE	1	
23	91810-18025-00	PIN, DOWEL	2	
24	98580-06020-00	SCREW	2	
25	92995-06100-00	WASHER, SPRING	2	
26	92901-06600-00	WASHER	2	
27	8G8-15456-01-00	GASKET, O/P P CVR 1	1	
28	97021-06030-00	BOLT	2	
29	92995-06100-00	WASHER, SPRING	2	

CONTINUED ON NEXT FRAME ➤

Property of www.SmallEngineDiscount.com - Not for Resale

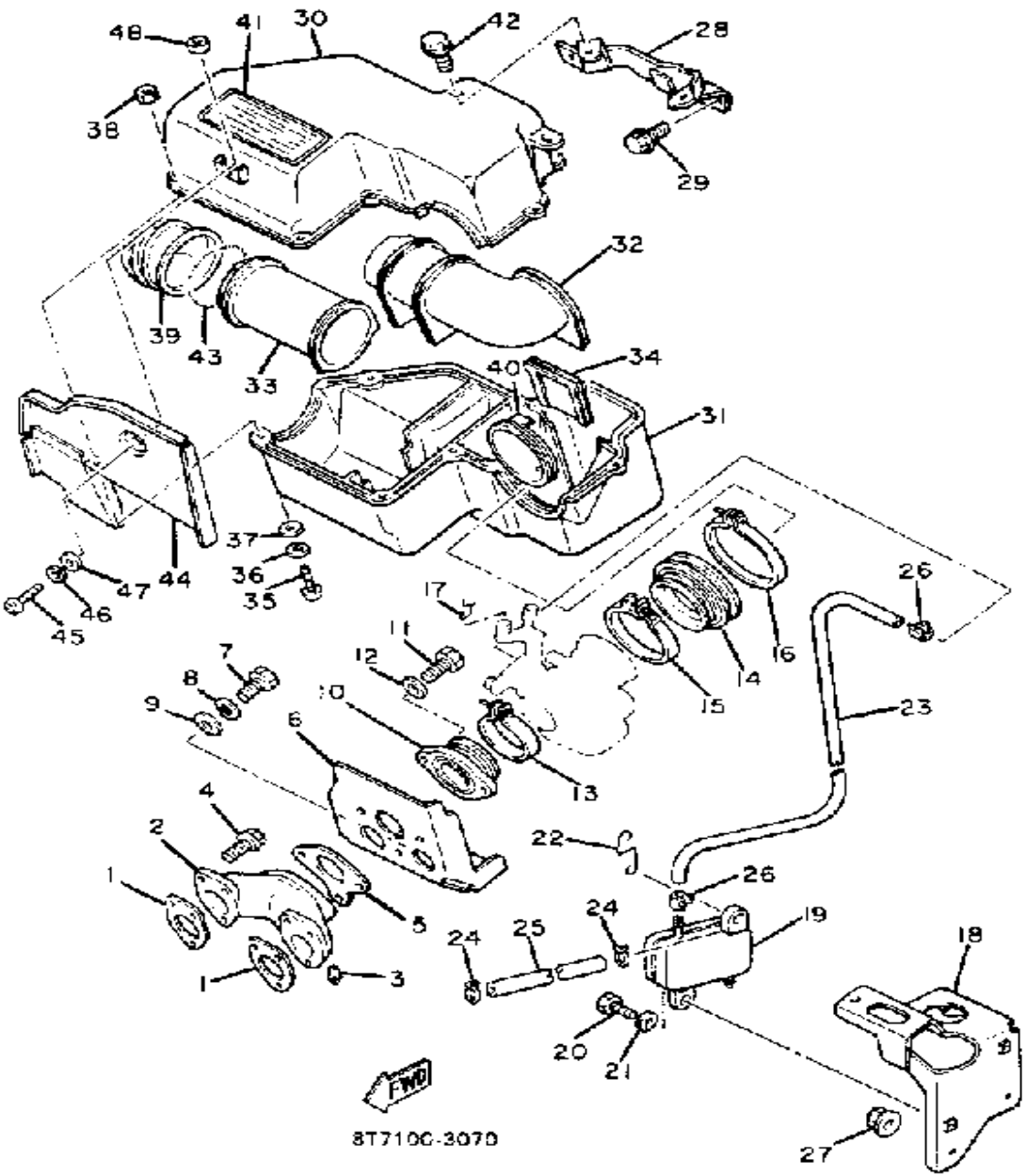
PUMP DRIVE - GEAR



Ref. No.	Part Number	Description	Qty	Remarks
30	92901-06600-00	WASHER	2	
31	95811-06035-00	BOLT, FLANGE	2	
32	90201-08624-00	WASHER, PLATE	1	
33	90468-02033-00	CLIP	2	

Property of www.SmallEngineDiscount.com - Not for Resale

INTAKE

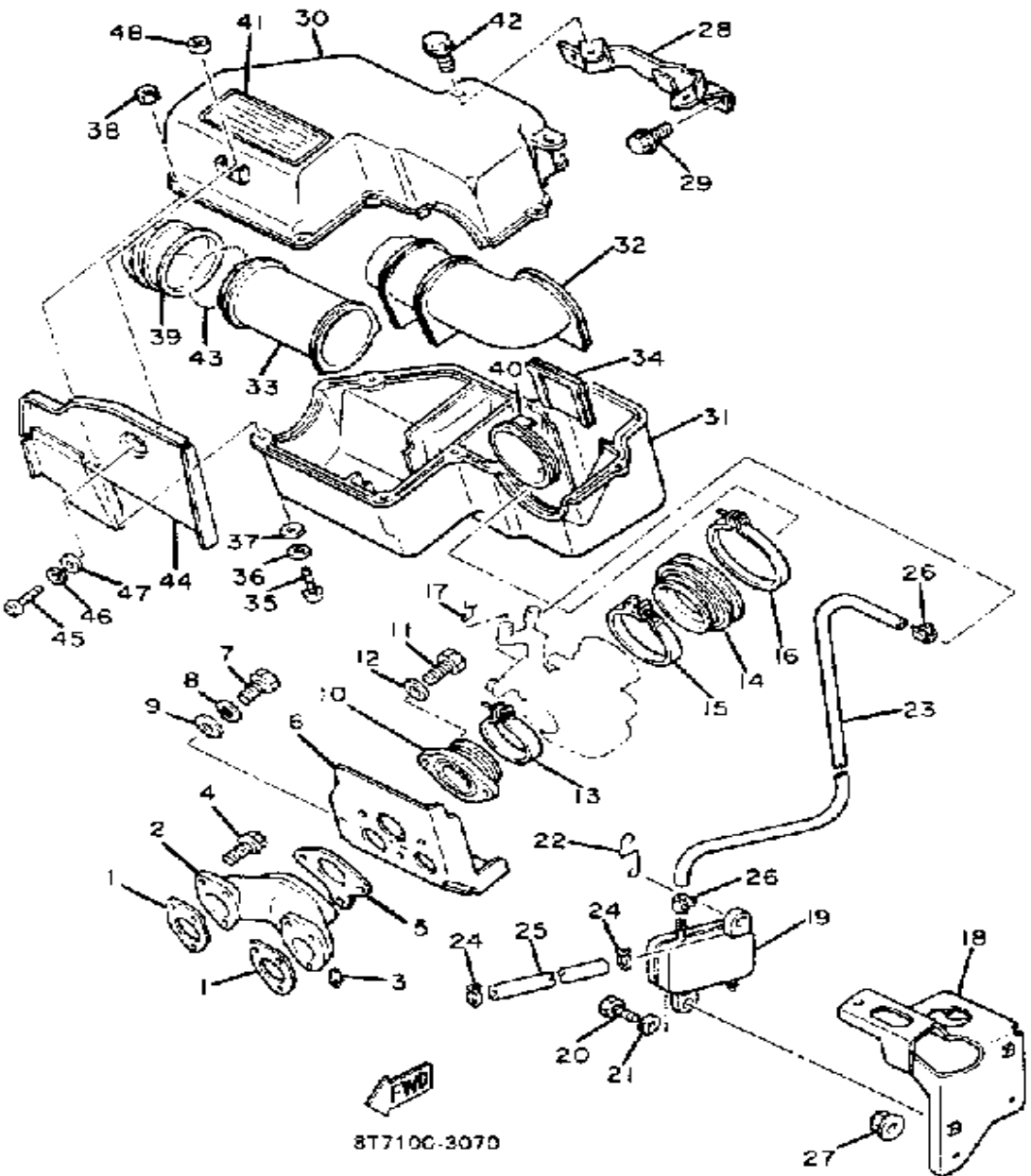


Ref. No.	Part Number	Description	Qty	Remarks
1	8Y2-13563-02-00	GASKET	2	
2	8G8-13565-00-00	JOINT, CARBURETOR	1	
3	824-13552-00-00	NOZZLE	2	
4	95811-06020-00	BOLT, FLANGE	6	
5	8Y2-13556-01-00	GASKET, MANIFOLD	1	
6	8H5-13567-00-00	GASKET	1	
7	97313-08012-00	BOLT	1	
8	92902-08100-00	WASHER, SPRING	1	
9	90209-08150-00	WASHER, SPEC'L SHAP (90209-08097)	1	
10	8G8-13555-01-00	MANIFOLD, INTAKE	1	
11	97001-08025-00	BOLT (1NV)	2	
12	92901-08600-00	WASHER	2	
13	86M-13575-00-00	BAND	1	
14	8G8-14453-01-00	JOINT, AIR CLNR 1	1	
15	90460-68230-00	CLAMP, HOSE	1	
16	90460-85277-00	CLAMP, HOSE	1	
17	822-41222-00-00	CLAMP, THROTTLE	1	
18	8G8-24491-00-00	BRACKET, FUEL PUMP	1	
19	8J6-24410-00-00	FUEL PUMP ASSEMBLY	1	
20	97001-06018-00	BOLT	2	
21	92901-06600-00	WASHER	2	
22	(90465-20153-00)	CLAMP	1	
23	91A30-05024-00	TUBE, FLEXIBLE VINYL	1	
24	90467-09006-00	CLIP	2	
25	90445-10140-00	HOSE	1	
26	90467-09026-00	CLIP	2	
27	95701-06500-00	NUT, FLANGE	2	
28	8G8-14498-00-00	STAY 1	1	

CONTINUED ON NEXT FRAME ►

Property of www.SmallEngineDiscount.com - Not for Resale

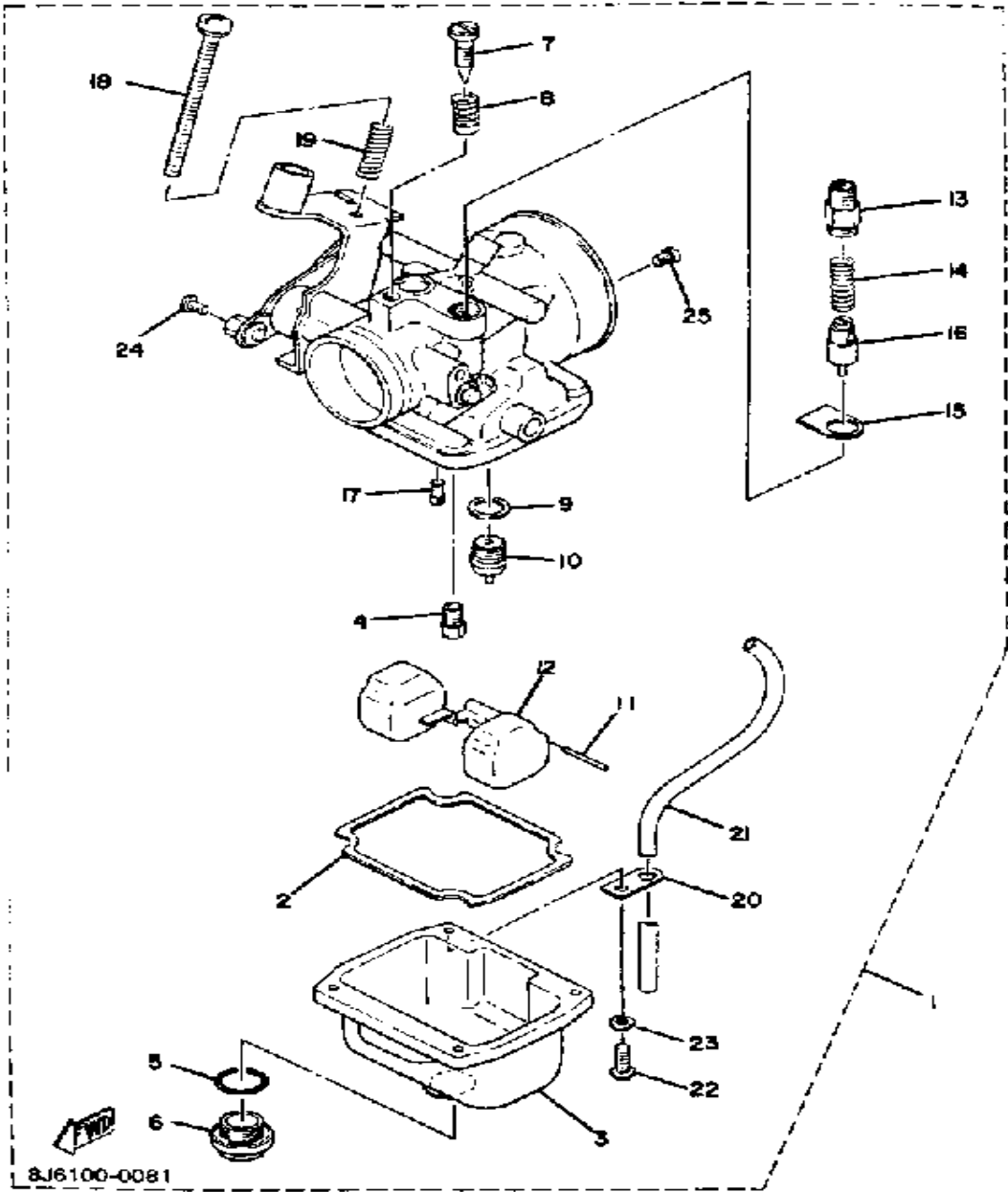
INTAKE



Ref. No.	Part Number	Description	Qty	Remarks
29	95811-06010-00	BOLT, FLANGE	2	
30	8G8-14431-00-00	SILENCER, INTAKE 1	1	
31	8G8-14441-00-00	SILENCER, INTAKE 2	1	
32	8G8-14419-00-00	PIPE	1	
33	8G8-14465-00-00	PIPE	1	
34	8G8-14477-00-00	PLATE	1	
35	98580-05020-00	SCREW, PAN HEAD	6	
36	92990-05100-00	WASHER, SPRING	6	
37	92901-05600-00	WASHER, PLATE	6	
38	95380-05600-00	NUT	6	
39	8N5-14423-00-00	PIPE, SUCTION 1	1	
40	8G8-14466-01-00	PIPE	1	
41	8A5-14488-00-00	LABEL, CAUTION	1	
42	95821-06014-00	BOLT, FLANGE	3	
43	90506-06083-00	SPRING, TENSION	1	
44	8N5-14477-00-00	PLATE	1	
45	98506-05010-00	SCREW, PAN HEAD	1	
46	92906-05100-00	WASHER, SPRING	1	
47	92906-05600-00	WASHER, PLATE	1	
48	95380-05600-00	NUT	1	

Property of www.SmallEngineDiscount.com - Not for Resale

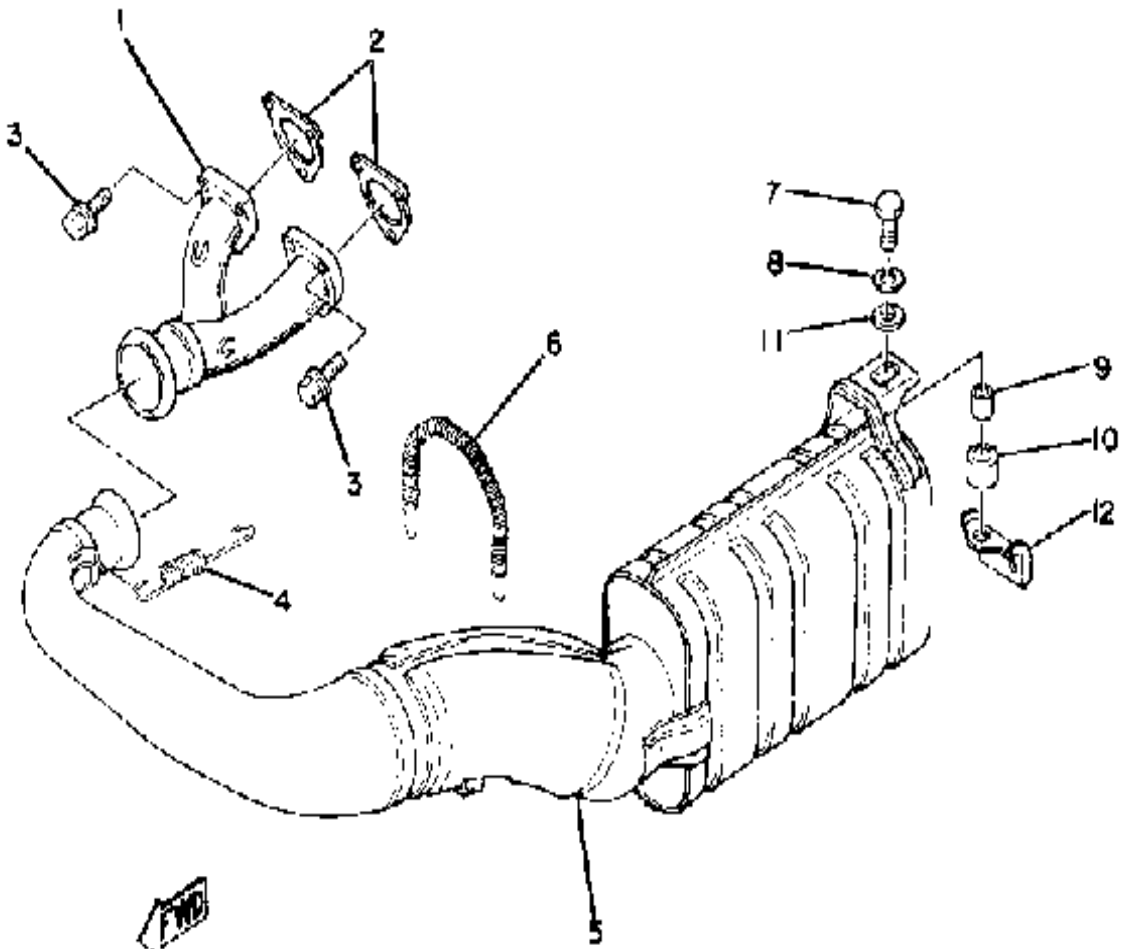
CARBURETOR



Ref. No.	Part Number	Description	Qty	Remarks
1	8J6-14101-00-00	CARBURETOR ASSEMBLY 1	1	
2	8G8-14184-00-00	. GASKET, FLOAT CHMBR	1	
3	(8H5-14181-00-00)	BODY, FLOAT CHMBR 1	1	
4	137-14143-40-A1	. JET, MAIN #2 0	1	U.R.
	137-14143-42-A1	. JET, MAIN #2 0	1	U.R.
	137-14143-44-A1	. JET, MAIN #2 0	1	U.R.
	137-14143-48-A1	. JET, MAIN (#240)	1	U.R. STD
5	558-14147-00-00	. O-RING	1	
6	500-14115-00-00	. PLUG, SCREW	1	
7	8G8-14123-00-00	. SCREW, AIR ADJUSTING	1	
8	137-14134-00-00	. SPRING, AIR ADJUSTING	1	
9	239-14195-00-00	. WASHER, NEEDLE VALVE	1	
10	8H5-14190-15-00	. NEEDLE VALVE ASSEMBLY	1	
11	537-14186-00-00	. PIN, FLOAT	1	
12	8H5-14185-00-00	. FLOAT	1	
13	8G8-14174-00-00	. CAP, PLUNGER	1	
14	127-14135-00-00	. SPRING, PLUNGER	1	
15	8G8-14178-00-00	. PLATE, STARTER LVR	1	
16	8G8-14171-00-00	. PLUNGER, STARTER	1	
17	193-14142-75-00	. JET, PILOT (# 75)	1	
18	98580-05550-00	. SCREW, PAN HEAD	1	
19	(849-14134-00-00)	SPRING, AIR ADJUSTING	1	
20	313-14146-00-00	. PLATE	1	
21	8G8-14196-00-00	. PIPE, OVERFLOW	1	
22	98580-05016-00	. SCREW, PAN HEAD	4	
23	92990-05100-00	. WASHER, SPRING	4	
24	98580-04008-00	. SCREW, PAN HEAD	1	
25	239-14172-10-00	. PILOT JET, AIR (1.0)	1	

Property of www.SmallEngineDiscount.com - Not for Resale

EXHAUST

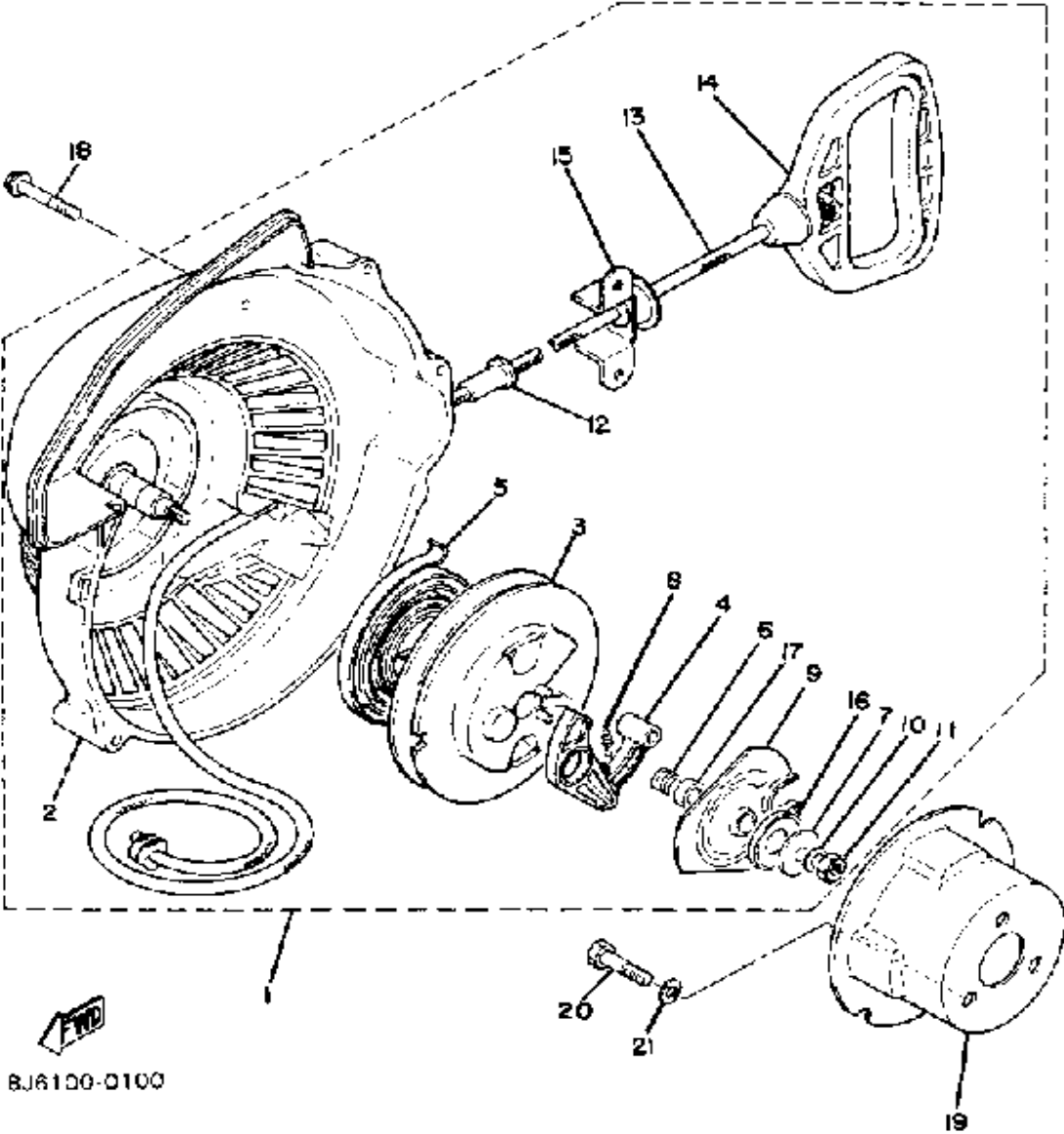


6.5100-0090

Ref. No.	Part Number	Description	Qty	Remarks
1	8G8-14610-00-00	EXHAUST PIPE ASSEMBLY 1	1	
2	8G8-14613-01-00	GASKET, EXHAUST PIPE	2	
3	95811-06020-00	BOLT, FLANGE	6	
4	90506-20272-00	SPRING, TENSION	2	
5	8M8-14710-00-00	MUFFLER ASSEMBLY L	1	
6	90506-16130-00	SPRING, TENSION	1	
7	97313-08030-00	BOLT, HEXAGON	1	
8	92902-08100-00	WASHER, SPRING	1	
9	90387-08778-00	COLLAR	1	
10	8G8-14747-00-00	DAMPER, MUFFLER	1	
11	90201-08753-00	WASHER, PLATE	1	
12	8G8-14771-00-00	STAY, MUFFLER 1	1	

Property of www.SmallEngineDiscount.com - Not for Resale

STARTER

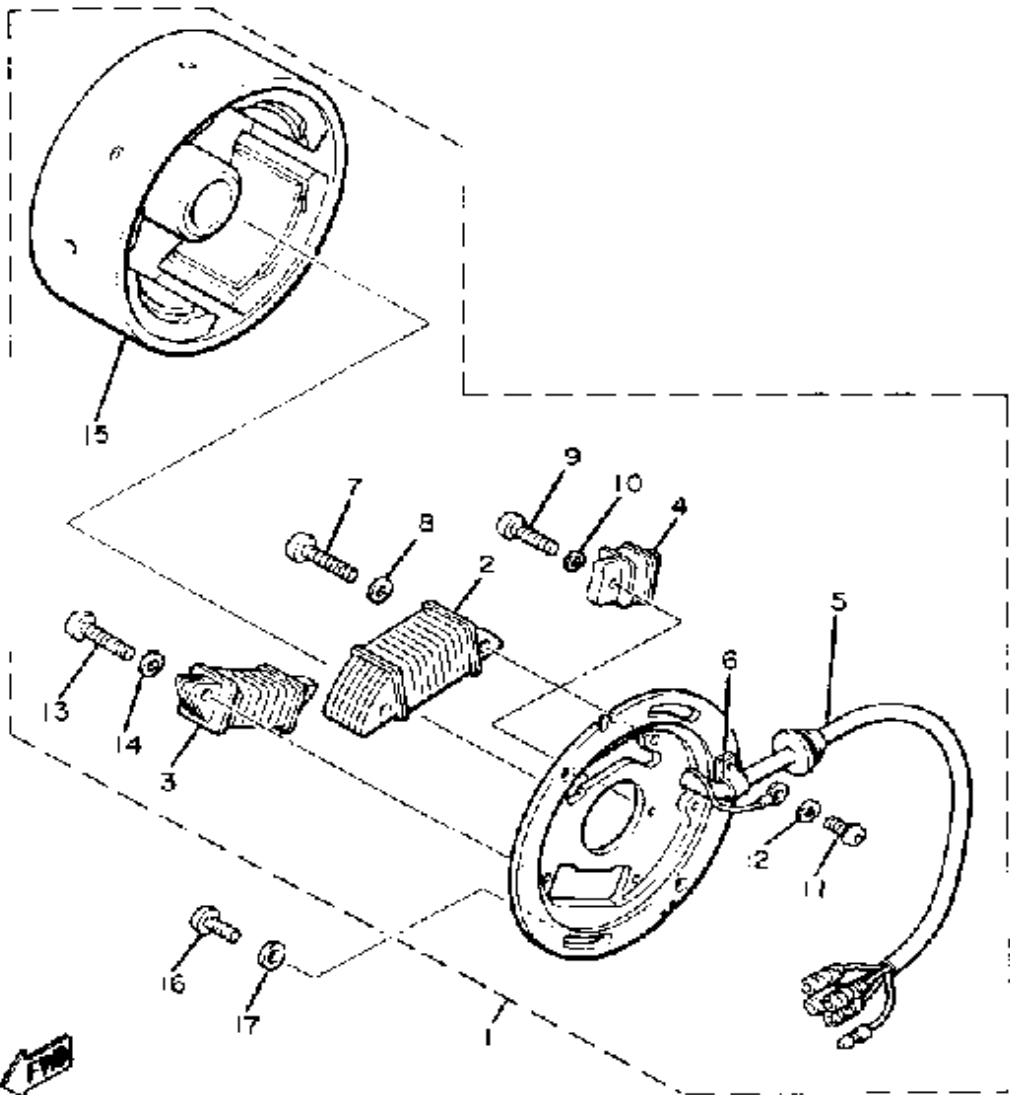


Ref. No.	Part Number	Description	Qty	Remarks
1	8G8-15710-01-00	STARTER ASSEMBLY	1	
2	8G8-15711-01-00	. CASE, STARTER	1	
3	8F3-15714-01-00	. DRUM, SHEAVE	1	
4	8F3-15741-01-00	. PAWL, DRIVE	1	
5	8F3-15713-01-00	. SPRING, STARTER	1	
6	8F3-15715-00-00	. SPRING, FRICTION	1	
7	8F3-15739-01-00	. WASHER, THRUST	1	
8	8F3-15734-00-00	. SPRING, RETURN	1	
9	8F3-15716-03-00	. PLATE, DRIVE	1	
10	92995-06100-00	. WASHER, SPRING	1	
11	95380-06700-00	. NUT	1	
12	8F3-15758-00-00	. GUIDE, ROPE	1	
13	857-15751-00-00	. WIRE, STARTER	1	
14	8F3-15755-00-00	. HANDLE, STARTER	1	
15	8F3-15788-01-00	. HOLDER, HANDLE	1	
16	8G5-15739-00-00	. WASHER, THRUST	1	
17	82M-15779-00-00	. COVER	1	
18	95811-06045-00	BOLT, flange (95812-06045-00)	5	
19	8G8-15723-00-00	PULLEY, STARTER	1	
20	97011-08016-00	BOLT	3	
21	92902-08100-00	WASHER, SPRING	3	

Property of www.SmallEngineDiscount.com - Not for Resale

C - D - I - MAGNETO

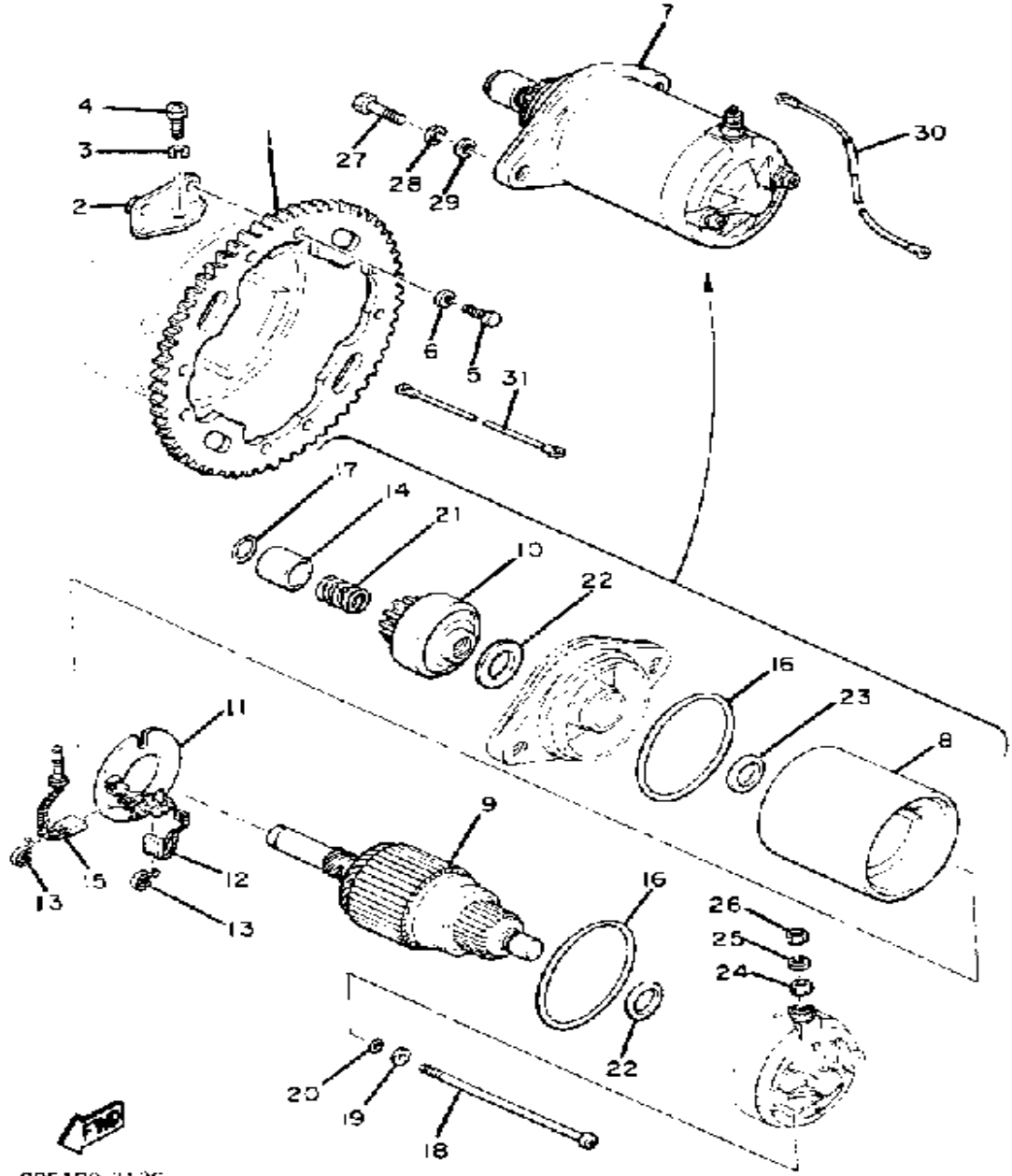
Ref. No.	Part Number	Description	Qty	Remarks
1	8R5-85500-20-00	CDI MAGNETO ASSEMBLY ...	1	
2	8N4-85511-20-00	. COIL SOURCE 1	1	
3	8H8-85513-20-00	. COIL, LIGHTING 1	1	
4	82M-85580-20-00	. COIL, PULSER	1	
5	(8N7-85515-20-00)	LEAD WIRE ASSEMBLY	1	
6	104-81328-20-00	. CLAMP	1	
7	98501-05035-00	. SCREW, PAN HEAD	2	
8	92990-05100-00	. WASHER, SPRING	2	
9	98506-04018-00	. SCREW, PAN HEAD	2	
10	92901-04100-00	. WASHER, SPRING	2	
11	98580-04008-00	. SCREW, PAN HEAD	1	
12	92901-04100-00	. WASHER, SPRING	1	
13	98501-05018-00	. SCREW, PAN HEAD	2	
14	92990-05100-00	. WASHER, SPRING	2	
15	8J9-85550-20-00	. ROTOR ASSEMBLY (8K1-85550-20)	1	
16	98903-06014-00	SCREW, BIND	2	
17	90201-06043-00	WASHER, PLATE	2	



8N7171 2110

Property of www.SmallEngineDiscount.com - Not for Resale

STARTING MOTOR

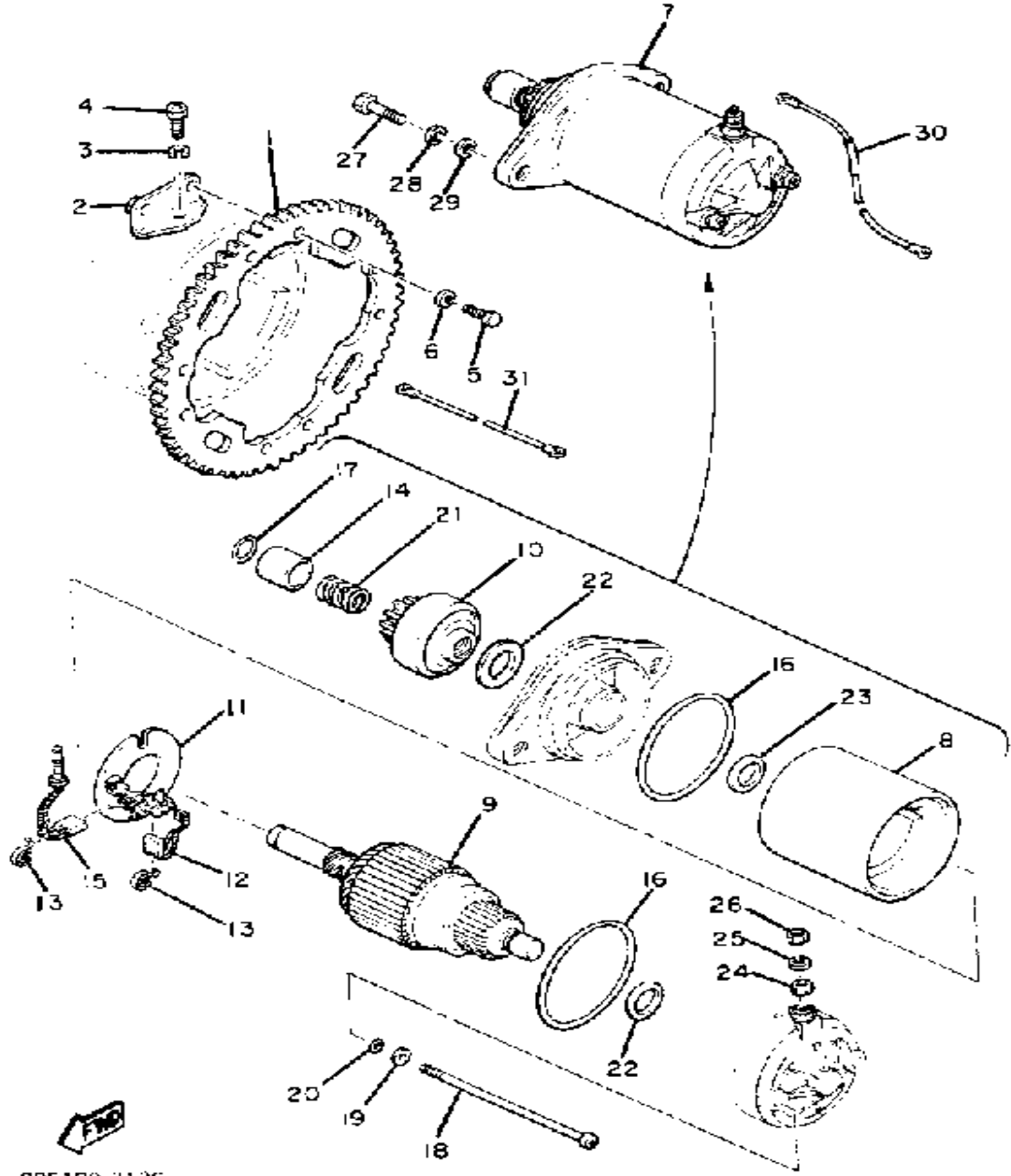


Ref. No.	Part Number	Description	Qty	Remarks
1	8J4-81891-01-00	GEAR, RING	1	
2	8J4-81895-01-00	STAY, RING GEAR	4	
3	92902-08100-00	WASHER, SPRING	4	
4	90110-08028-00	BOLT, HEX SKT HEADSOCKET HEAD	4	
5	97011-06016-00	BOLT	8	
6	92995-06100-00	WASHER, SPRING	8	
7	84N-81800-50-00	STARTING MOTOR ASSEMBLY (8V3-81800-50-00)	1	
8	(8L6-81810-50-00)	STATOR ASSEMBLY	1	
9	8L6-81850-50-00	. ARMATURE ASSEMBLY	1	
10	8L6-81832-50-00	. CLUTCH, OVER RUN	1	
11	8L6-81840-50-00	. BRUSH HOLDER ASSEMBLY	1	
12	4H7-81812-01-00	. BRUSH 2	1	
13	8L6-81813-50-00	. SPRING, BRUSH	2	
14	8L6-81833-50-00	. RING, STOP	1	
15	8L6-81811-50-00	. BRUSH 1	1	
16	4H7-81844-00-00	. O-RING (4H7-81844-50-00)	2	
17	8L6-81834-50-00	. RING	1	
18	4H7-81826-01-00	. BOLT	2	
19	8L6-81824-50-00	. WASHER 2	2	
20	8L6-81847-50-00	. O-RING	2	
21	8L6-81836-50-00	. SPRNG, lever	1	
22	4H7-81843-50-00	. WASHER 1	2	
23	8L6-81835-50-00	. WASHER 2	1	
24	4H7-81872-00-00	. NUT, SPECIAL	1	
25	92995-06100-00	. WASHER, SPRING	1	
26	95380-06700-00	. NUT	1	
27	97313-08040-00	BOLT, HEXAGON (97322-08040)	2	

CONTINUED ON NEXT FRAME ►

Property of www.SmallEngineDiscount.com - Not for Resale

STARTING MOTOR

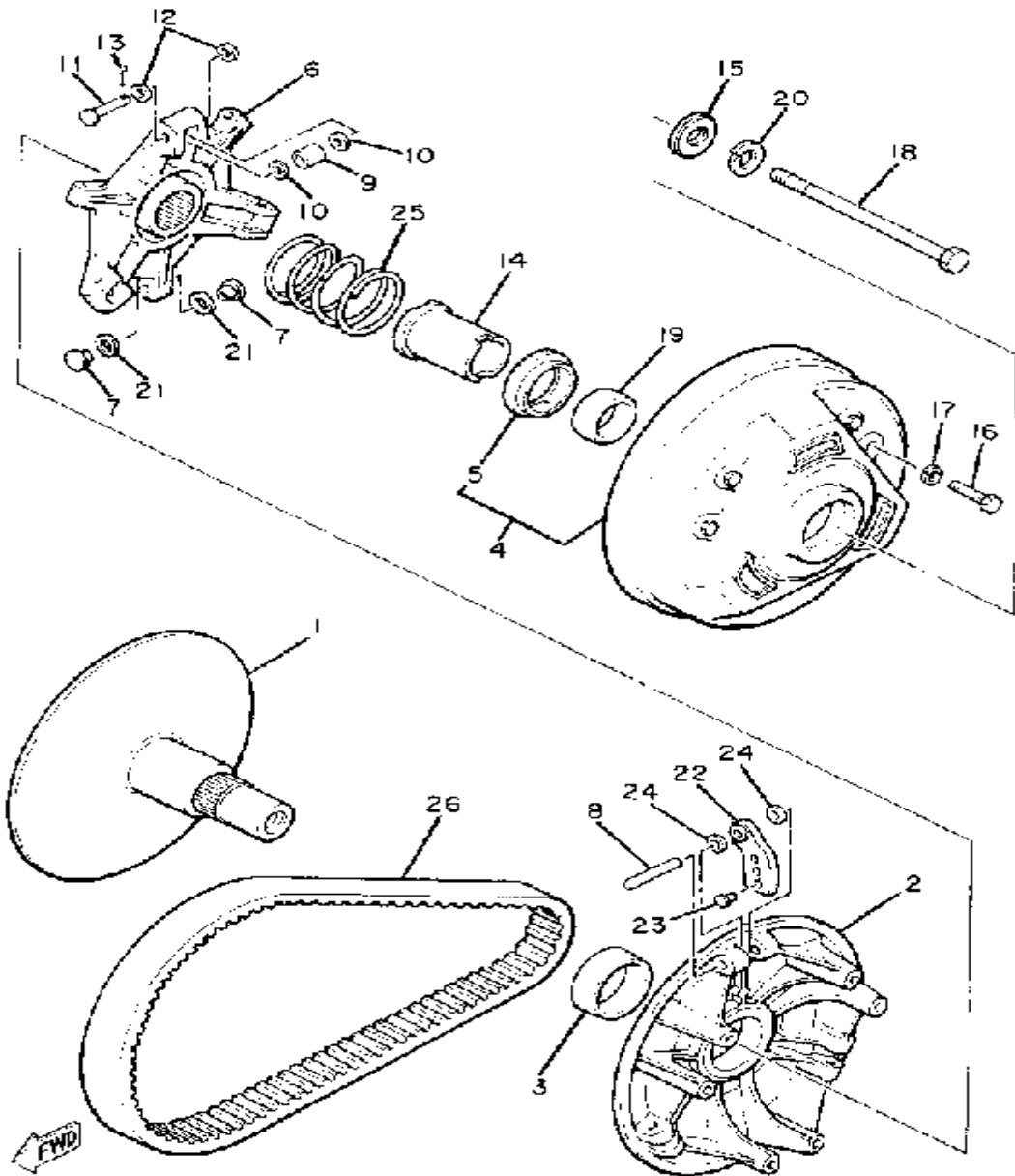


Ref. No.	Part Number	Description	Qty	Remarks
28	92902-08100-00	WASHER, SPRING	2	
29	92901-08600-00	WASHER	2	
30	8J4-82117-01-00	WIRE, LEAD	1	
31	8J4-82116-01-00	WIRE, MINUS LEAD	1	

Property of www.SmallEngineDiscount.com - Not for Resale

PRIMARY SHEAVE

Ref. No.	Part Number	Description	Qty	Remarks
1	8H8-W1761-00-00	PRI. FIXED SHEAVE	1	
2	8E7-17621-01-00	SHEAVE, PRI SLIDING	1	
3	90389-41018-00	BUSH, SPEC'L SHAPE	1	
4	8E7-W1762-00-00	PRI. SHEAVE CAP	1	
5	8E7-17644-02-00	. SEAT, SPRING	1	
6	8A7-17627-00-00	SPIDER	1	
7	8F2-17653-00-00	SLIDER	6	
8	93607-44120-00	PIN, DOWEL	3	
9	90387-06560-00	COLLAR	3	
10	90202-06113-00	WASHER, PLATE	6	
11	90240-06062-00	PIN, CLEVIS	3	
12	92990-06200-00	WASHER	6	
13	91401-25020-00	PIN, COTTER	3	
14	90387-28630-00	COLLAR	1	
15	8A7-17654-00-00	SPACER 1	1	
16	97313-06030-00	BOLT, HEXAGON	6	
17	92995-06100-00	WASHER, SPRING	6	
18	90101-13406-00	BOLT	1	
19	90389-34019-00	BUSH, SPEC'L SHAPE	1	
20	90204-13010-00	WASHER, SPRING	1	
21	90201-090A4-00	WASHER, PLATE	1	UN.
22	8G8-17632-00-00	WEIGHT, CLUTCH	3	
23	90261-06017-00	RIVET, COUNTERSUNK (ST11.3MM)	3	
24	90201-07641-00	WASHER, PLATE	6	
25	90501-50500-00	SPRING, COMPRESSION	1	
26	(8G5-00000-50-00)	CLUTCH TUNE UP KIT	1	WITH -
	(8G8-17000-10-00)	CLUTCH WEIGHT KIT	1	WITH *
	820-17641-00-00	V-BELT	1	



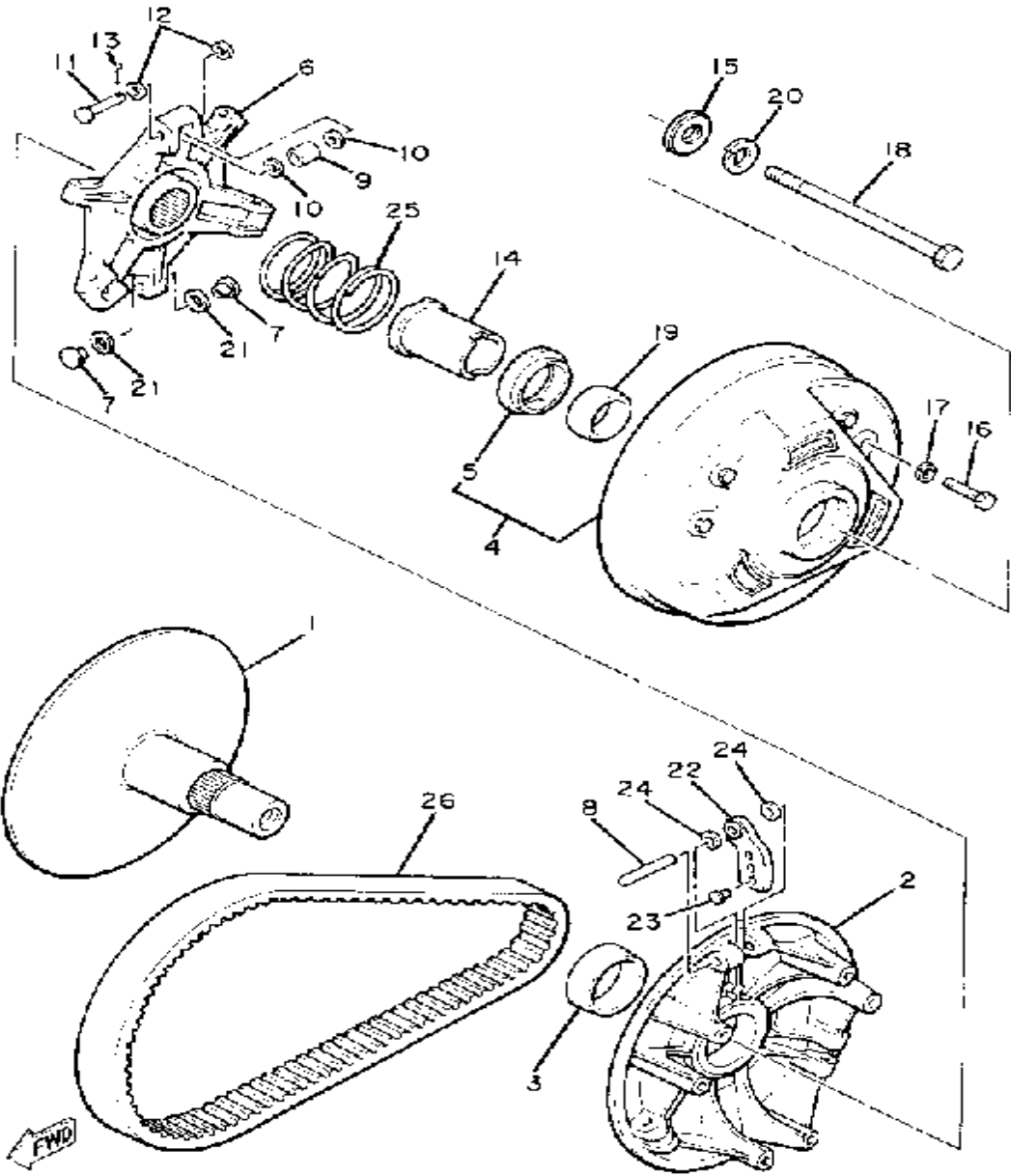
8M2300-1120

CONTINUED ON NEXT FRAME ►

Property of www.SmallEngineDiscount.com - Not for Resale

PRIMARY SHEAVE

Ref. No.	Part Number	Description	Qty	Remarks
26	8G6-17601-09-00	PRIMARY SHEAVE ASSEMBLY	1	WITH +

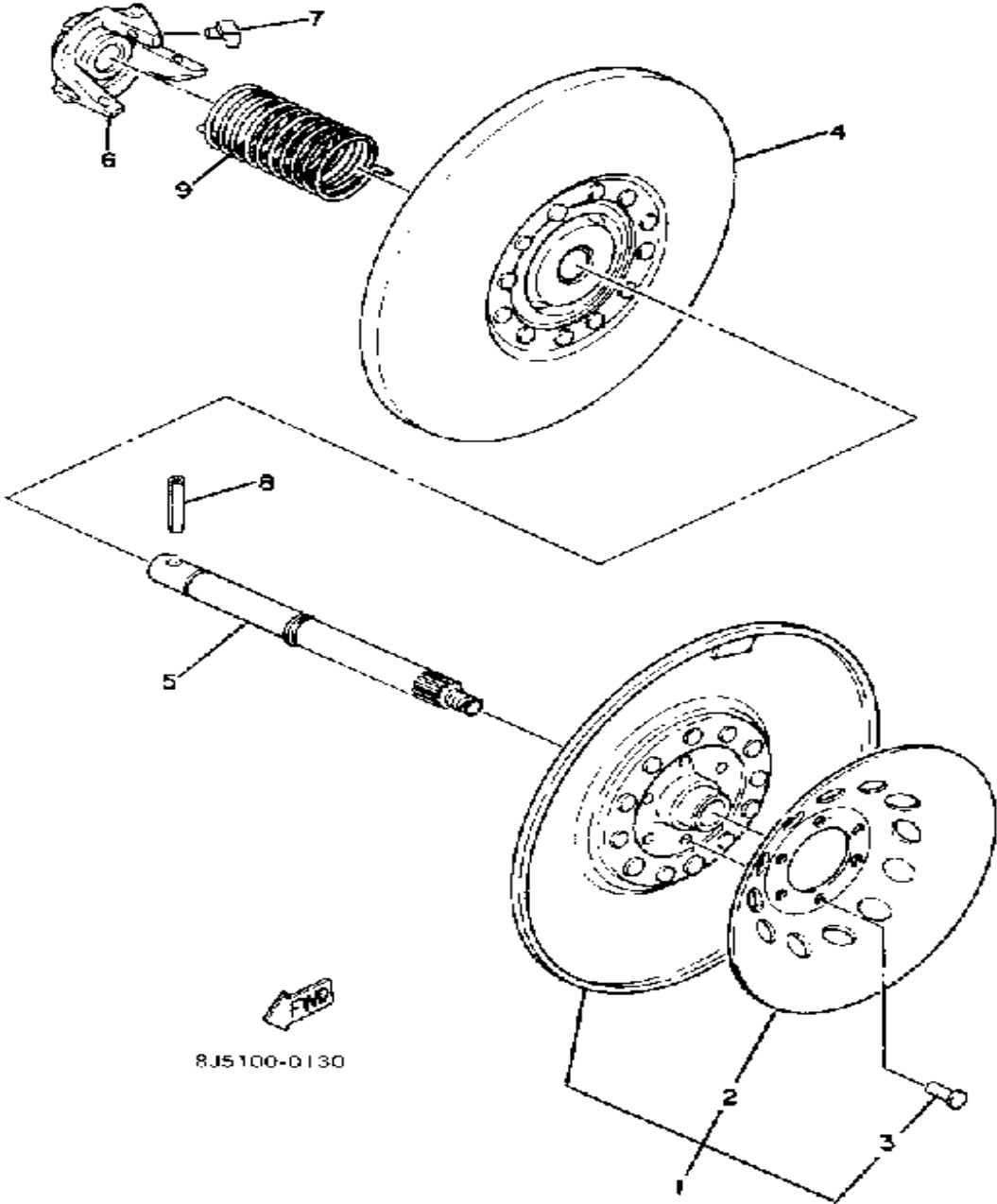


8M2300-1120

Property of www.SmallEngineDiscount.com - Not for Resale

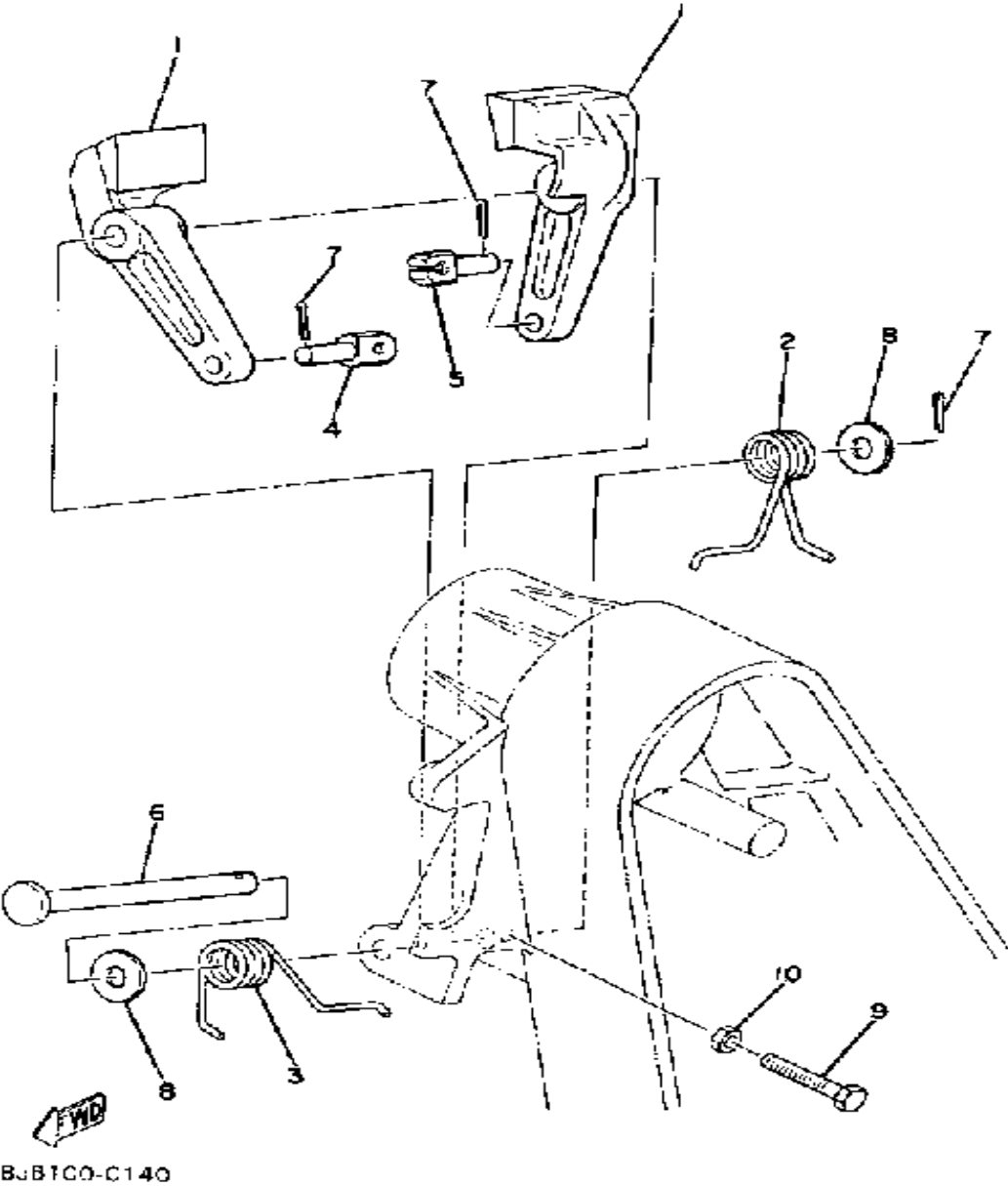
SECONDARY SHEAVE

Ref. No.	Part Number	Description	Qty	Remarks
1	(8G8-17660-00-00)	SEC FXD SHV	1	
2	8F3-25711-00-00	. DISC, BRAKE	1	
3	90263-05023-00	. RIVET, FLAT HEAD	6	
4	85T-17670-00-00	SEC SLIDING SHEAVESHEAVE	1	
5	8G8-17681-01-00	SHAFT, SECONDARY	1	
6	810-17684-01-00	SEAT, SEC SPRINGSRING ..	1	
7	801-17688-10-00	SHOE, RAMP	3	
8	90254-08001-00	PIN, SPRING TYPE	1	
9	90508-40080-00	SPRING, TORSION	1	



Property of www.SmallEngineDiscount.com - Not for Resale

BRAKE

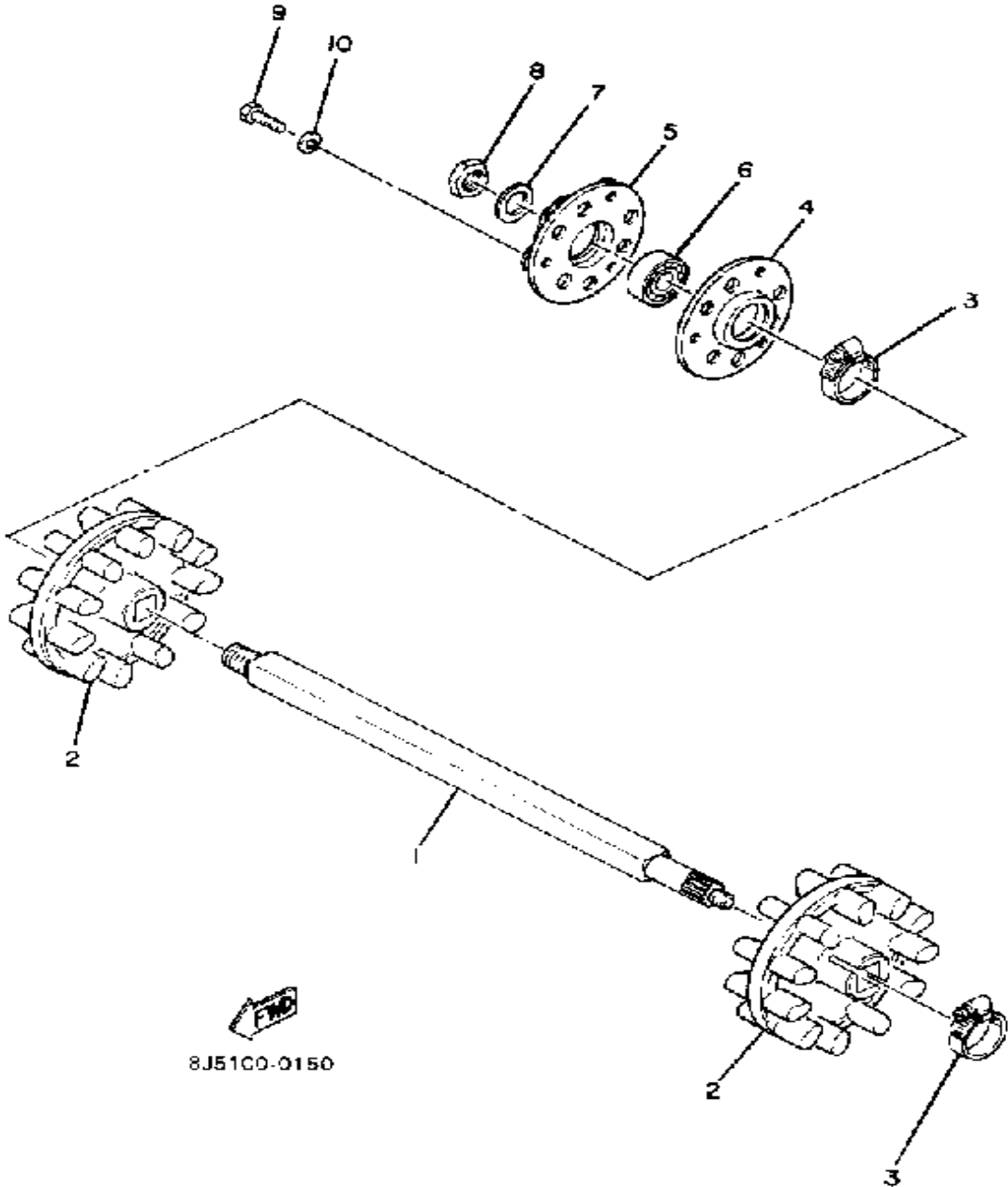


Ref. No.	Part Number	Description	Qty	Remarks
1	8F3-25730-00-00	CALIPER BODY 1COMP 1	2	
2	90508-26335-00	SPRING, TORSION	1	
3	90508-26336-00	SPRING, TORSION	1	
4	90249-06012-00	PIN	1	
5	90249-06009-00	PIN	1	
6	90240-08023-00	PIN, CLEVIS	1	
7	91490-20020-00	PIN, COTTER	3	
8	92901-08600-00	WASHER	2	
9	90101-05355-00	BOLT	1	
10	95311-05700-00	NUT	1	

Property of www.SmallEngineDiscount.com - Not for Resale

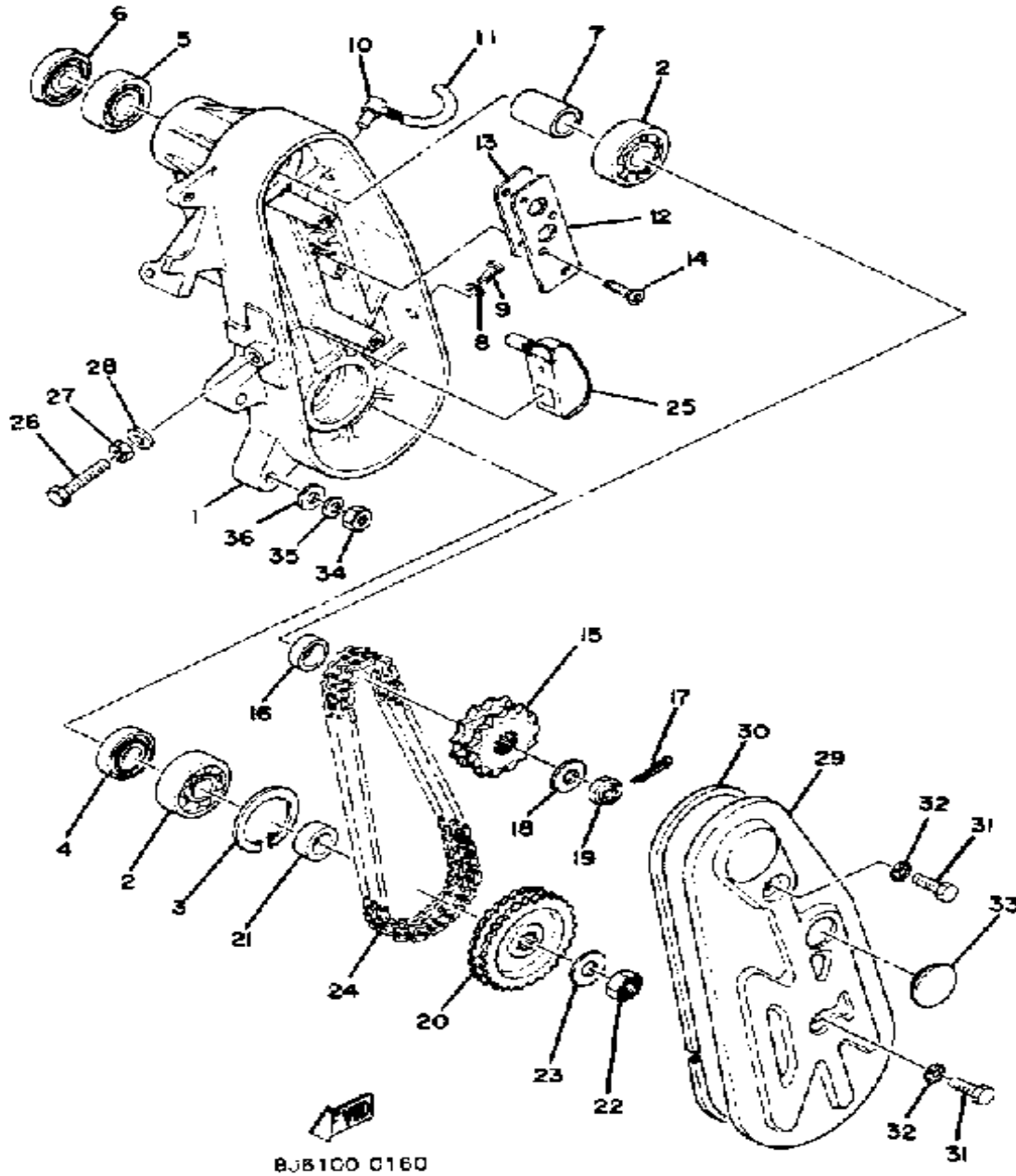
TRACK DRIVE 1

Ref. No.	Part Number	Description	Qty	Remarks
1	8G8-W4751-00-00	AXLE, FRONT	1	
2	8H9-47531-00-00	WHEEL, SPROCKET 1	2	
3	90460-50079-00	CLAMP, HOSE	2	
4	8F3-47551-00-00	HOUSING, FRONT AXLE	1	
5	8G5-47551-01-00	HOUSING, FRONT AXLE	1	
6	93306-00441-00	BEARING (89A) (B6004RS)	1	
7	90208-20008-00	WASHER, CONICAL SPRING	1	
8	90170-20211-00	NUT	1	
9	97011-08016-00	BOLT	3	
10	92902-08100-00	WASHER, SPRING	3	



Property of www.SmallEngineDiscount.com - Not for Resale

TRACK DRIVE 2

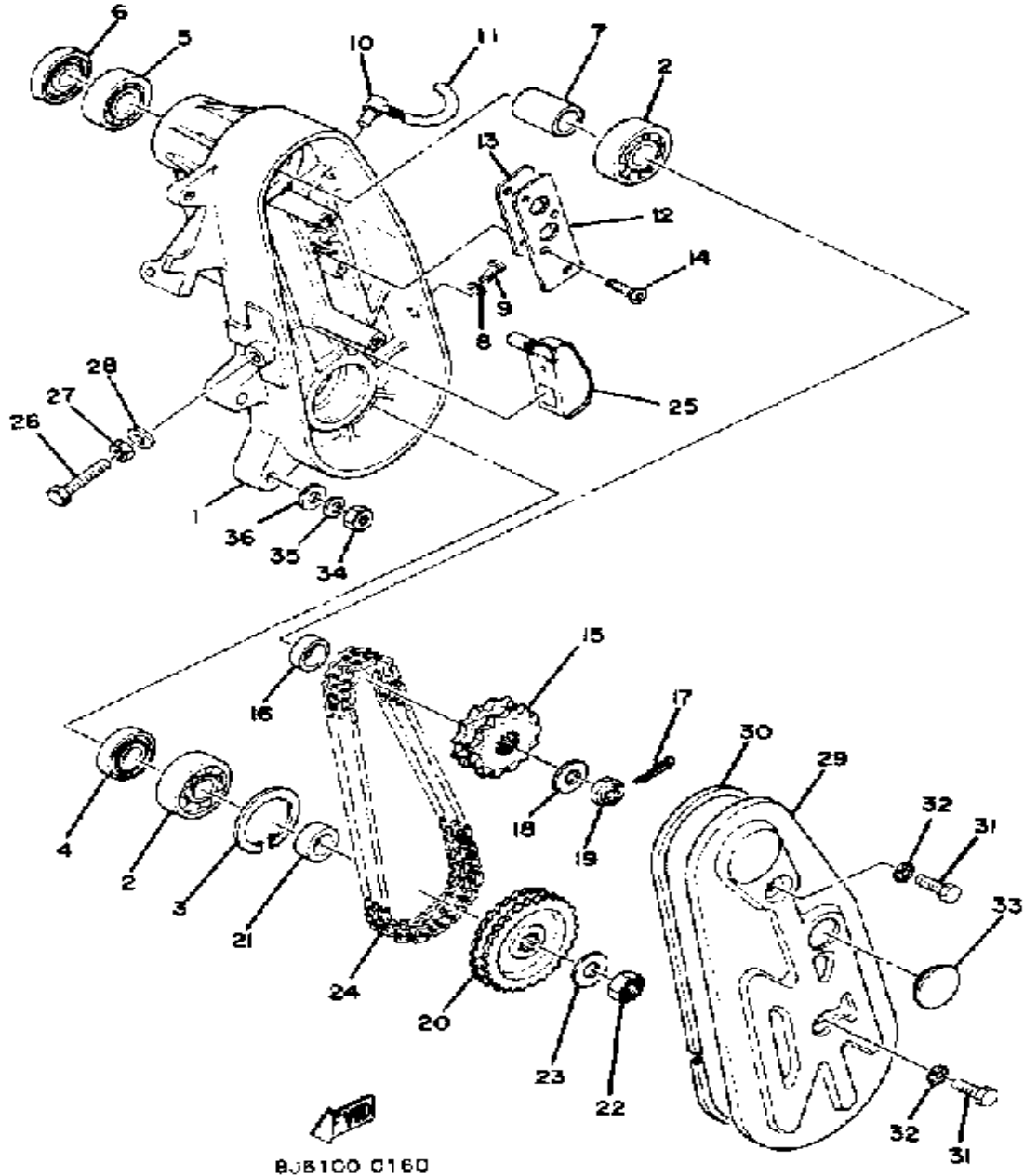


Ref. No.	Part Number	Description	Qty	Remarks
1	8F3-47541-00-00	HOUSING, CHAIN	1	
2	93306-30407-00	BEARING (B6304C3)	2	
3	99009-52500-00	CIRCLIP	1	
4	93102-20447-00	OIL SEAL	1	
5	93306-20458-00	BEARING	1	
6	93102-30083-00	SEAL, OIL	1	
7	90387-20580-00	COLLAR	1	
8	90430-06016-00	GASKET	1	
9	98580-06010-00	SCREW, PAN HEAD (92503-06010)	1	
10	583-15371-00-00	BREATHER	1	
11	90445-09055-00	HOSE	1	
12	8G8-47591-00-00	PLATE	1	
13	85T-47592-00-00	GASKET	1	
14	98702-05014-00	SCREW, FLAT HEAD	4	
15	802-17682-20-00	SPROCKET, CHAIN DRIVE (11T)	1	ALTERNATE PART
	802-17682-40-00	SPRKT, CHAIN DR 13TCHAIN DRIVE (13T) (806-17682-30-0)	1	U.R. STD
	806-17682-20-00	SPROCKET, CHAIN DRIVE (12T)	1	ALTERNATE PART
	806-17682-40-00	SPROCKET, CHAIN DRIVE (14T)	1	ALTERNATE PART
16	90387-19649-00	COLLAR	1	
17	91401-25030-00	PIN, COTTER	1	
18	90201-122H1-00	WASHER, PLATE	1	
19	90185-12119-00	NUT, SELF-LOCKING	1	
20	8G8-47548-10-00	SPROCKET, CHN DRVN	1	ALTERNATE PART
	8G8-47548-20-00	SPROCKET, CHN DRVN	1	U.R. STD
	8G8-47548-30-00	SPROCKET, CHN DRVN	1	ALTERNATE PART

CONTINUED ON NEXT FRAME ►

Property of www.SmallEngineDiscount.com - Not for Resale

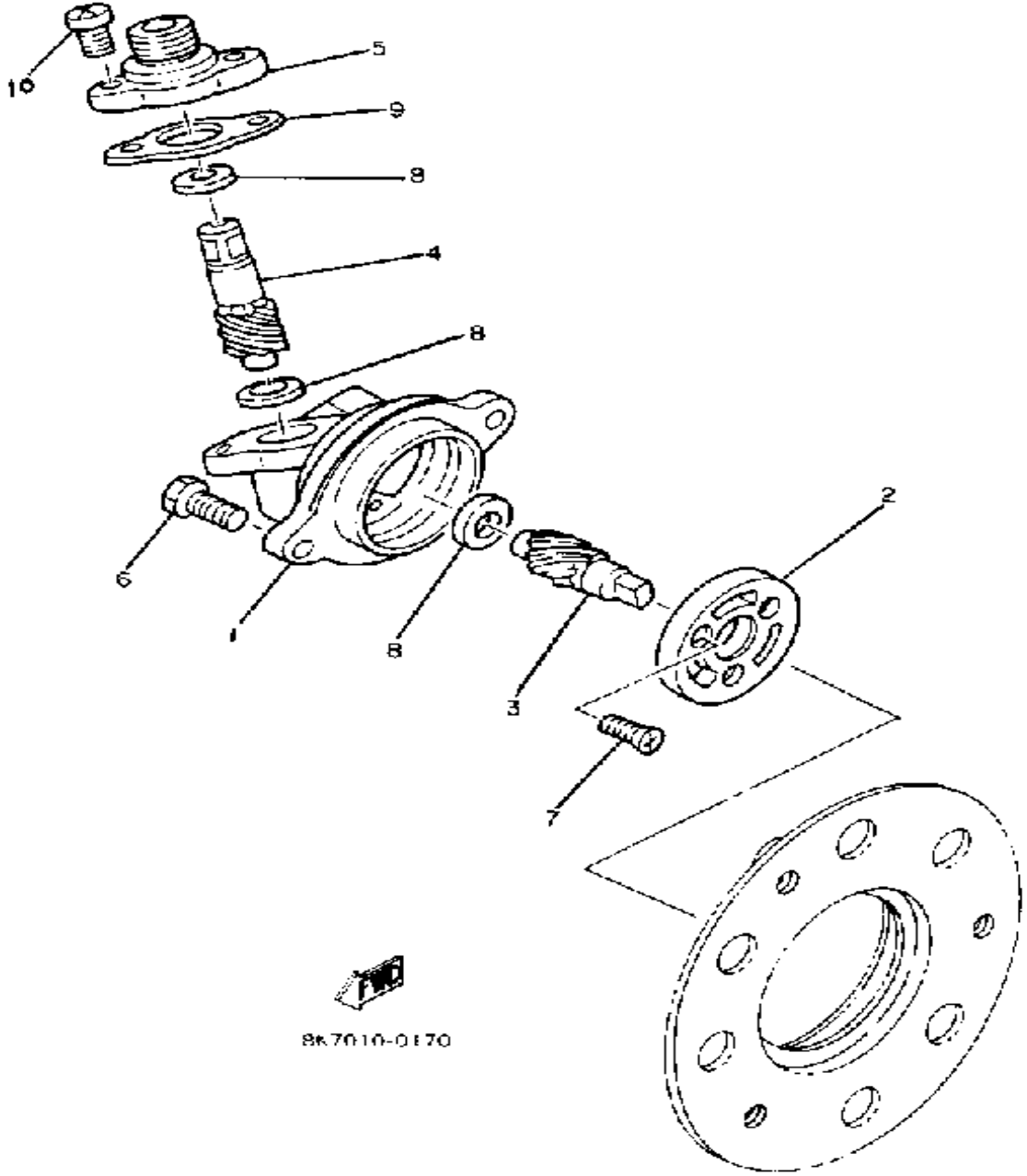
TRACK DRIVE 2



Ref. No.	Part Number	Description	Qty	Remarks
21	90387-20155-00	COLLAR	1	
22	95601-10100-00	NUT, U (95602-10100-00)	1	
23	90201-10437-00	WASHER, PLATE	1	
24	94880-01060-00	CHAIN 60L	1	
25	8G8-47611-00-00	TENSIONER	1	
26	90101-10357-00	BOLT	1	
27	95303-10700-00	NUT	1	
28	90210-10004-00	WASHER, SEAL	1	
29	8F3-47543-00-00	CAP, HOUSING	1	
30	8F3-47558-00-00	RING, HOUSING (97302-08020)	1	
31	97313-08020-00	BOLT, HEXAGON	2	
32	90210-08002-00	WASHER, SEAL	2	
33	148-22315-00-00	CAP	1	
34	95333-08600-00	NUT	4	
35	92902-08100-00	WASHER, SPRING	4	
36	92990-08200-00	WASHER, PLAIN	4	

Property of www.SmallEngineDiscount.com - Not for Resale

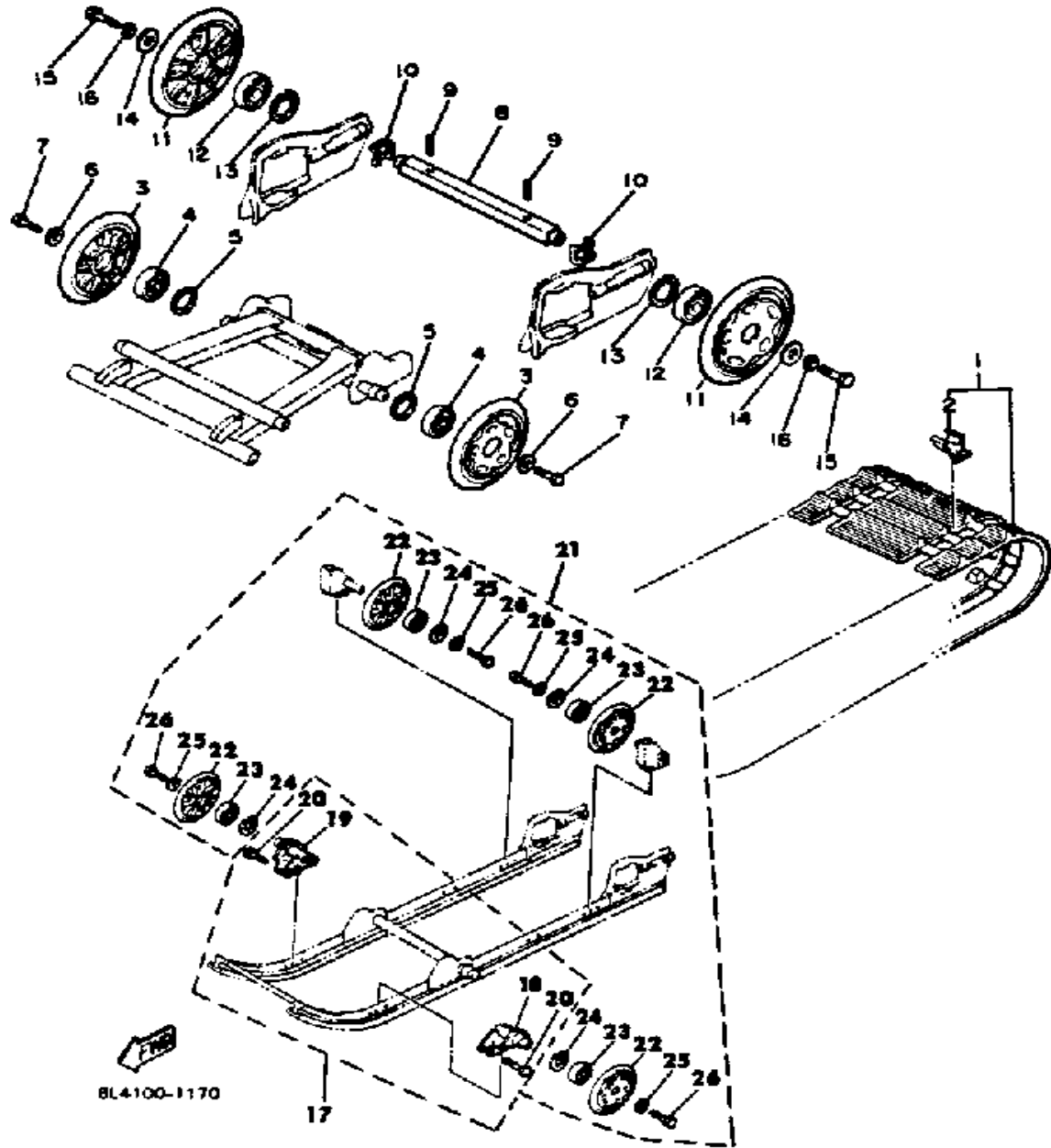
SPEEDOMETER - GEAR UNIT



Ref. No.	Part Number	Description	Qty	Remarks
1	8E6-47711-10-00	HOUSING	1	
2	853-47712-10-00	JOURNAL	1	
3	810-47731-11-00	GEAR, DRIVE	1	
4	810-47741-11-00	GEAR, DRIVEN (810-47741-10)	1	
5	8E3-47721-10-00	COVER, HOUSING	1	
6	97313-06016-00	BOLT, HEXAGON	2	
7	98701-04012-00	SCREW, FLAT HEAD	3	
8	810-47717-10-00	SHIM	3	
9	810-47727-10-00	GASKET	1	
10	98580-05012-00	SCREW, PAN HEAD	2	

Property of www.SmallEngineDiscount.com - Not for Resale

TRACK SUSPENSION 1

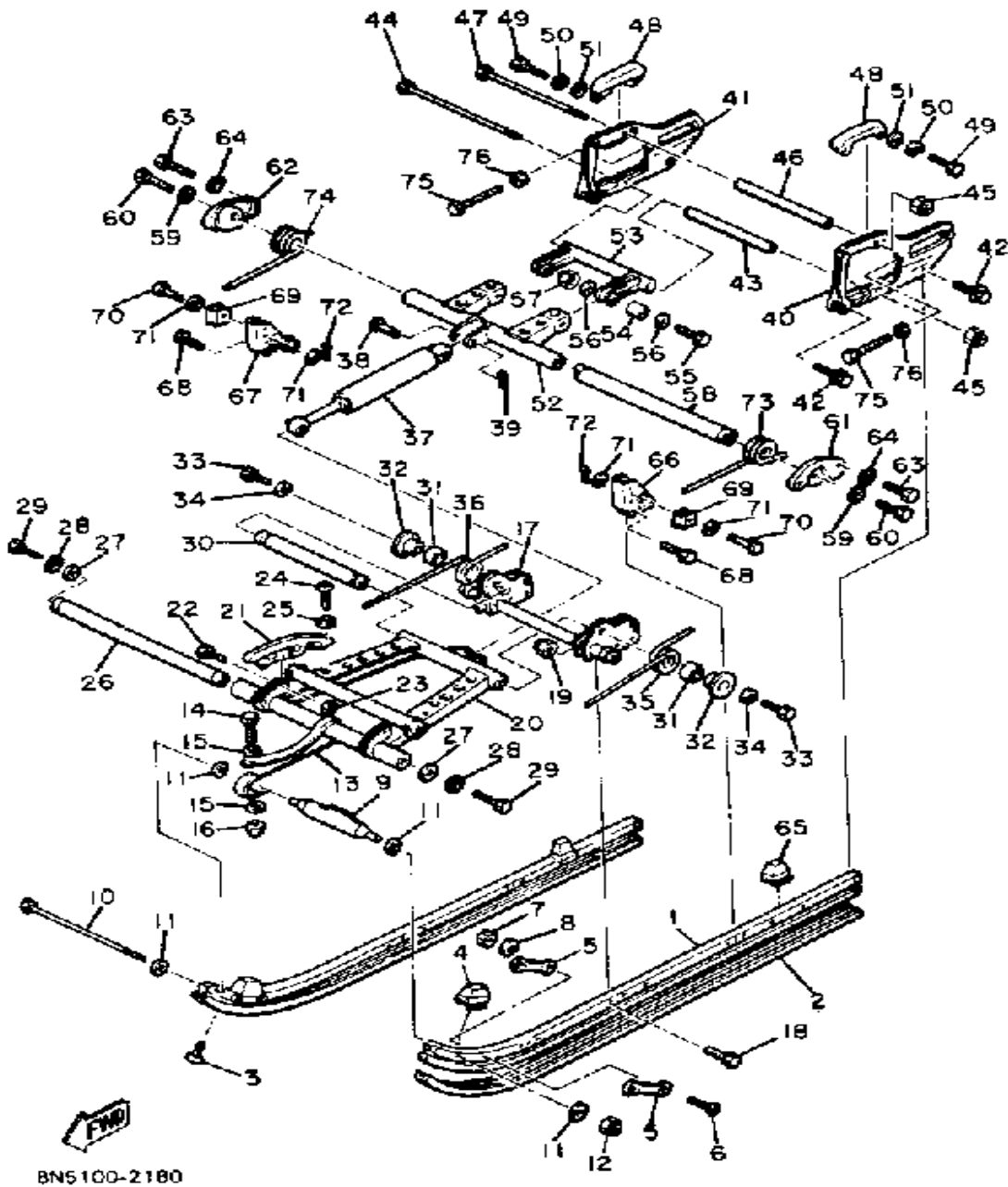


Ref. No.	Part Number	Description	Qty	Remarks
1	8J6-47110-01-00	TRACK ASSEMBLY (8J6-47110-01-00)	1	
2	8A5-47115-00-00	. METAL, SLIDE	66	
3	87M-47320-00-00	SUSPENSION WHEEL COMP.	2	
4	93306-00441-00	BEARING (89A) (B6004RS)	2	
5	99009-42500-00	CIRCLIP	2	
6	90201-08681-00	WASHER, PLATE	2	
7	90109-08559-00	BOLT	2	
8	8E3-47521-00-00	AXLE, REAR	1	
9	91609-40040-00	PIN, SPRING	2	
10	8E3-47384-00-00	WASHER	2	
11	8L4-47530-00-00	GUIDE WHEEL COMP.	2	
12	93306-20417-00	BEARING (B62042RS)	2	
13	99009-47500-00	CIRCLIP	2	
14	90201-083A8-00	WASHER, PLATE	2	
15	97313-08020-00	BOLT, HEXAGON	2	
16	92990-08100-00	WASHER	2	
17	8N5-47000-10-00	BRACKET KIT (FRT) (ONLY)	1	FRONT ONLY
18	8L4-47418-00-00	. BRACKET 4	1	
19	8L4-47419-00-00	. BRACKET 7	1	
20	90101-06348-00	. BOLT	6	
21	8N5-47000-00-00	SUS.WHEEL KIT	1	FRONT/REAR
22	87M-47320-00-00	. SUSPENSION WHEEL COMP.	4	
23	93306-00441-00	. BEARING (89A) (B6004RS)	4	
24	99009-42500-00	. CIRCLIP	4	
25	90201-08681-00	. WASHER, PLATE	4	
26	90109-08559-00	. BOLT	4	

Property of www.SmallEngineDiscount.com - Not for Resale

TRACK SUSPENSION 2

Ref. No.	Part Number	Description	Qty	Remarks
1	(8G8-47411-00-00)	FRAME, SLIDING 1	2	
2	8N5-47421-00-XX	RUNNER, SLIDING 1 (8E7-47421-10)	2	
3	90151-06010-00	SCREW, COUNTERSUNK	2	
4	888-47456-01-00	DAMPER 1	2	
5	885-47458-01-00	PLATE, DAMPER	4	
6	98501-05030-00	SCREW, PAN HEAD	4	
7	95380-05600-00	NUT	4	
8	92990-05100-00	WASHER, SPRING	4	
9	899-47415-00-00	BRACKET 1	1	
10	90101-08374-00	BOLT	1	
11	92901-08600-00	WASHER	4	
12	95712-08300-00	NUT, LOCK	1	
13	888-47495-02-00	STOPPER 1	1	
14	97013-06035-00	BOLT	1	
15	90201-06407-00	WASHER, PLATE (90201-06747-00)	2	
16	95701-06300-00	NUT, NYLON	1	
17	8L4-47416-00-00	BRACKET 2	1	
18	90101-06348-00	BOLT	6	
19	95701-06300-00	NUT, NYLON	6	
20	8X0-47331-00-00	ARM, PIVOT 1	1	
21	8G8-47422-00-00	RUNNER, SLIDING 2	2	
22	97011-06025-00	BOLT (97001-06025)	4	
23	95701-06300-00	NUT, NYLON	4	
24	98580-06020-00	SCREW	2	
25	92901-06600-00	WASHER	2	
26	8A5-47465-02-00	SHAFT 1	1	
27	885-47341-00-00	SPACER	2	

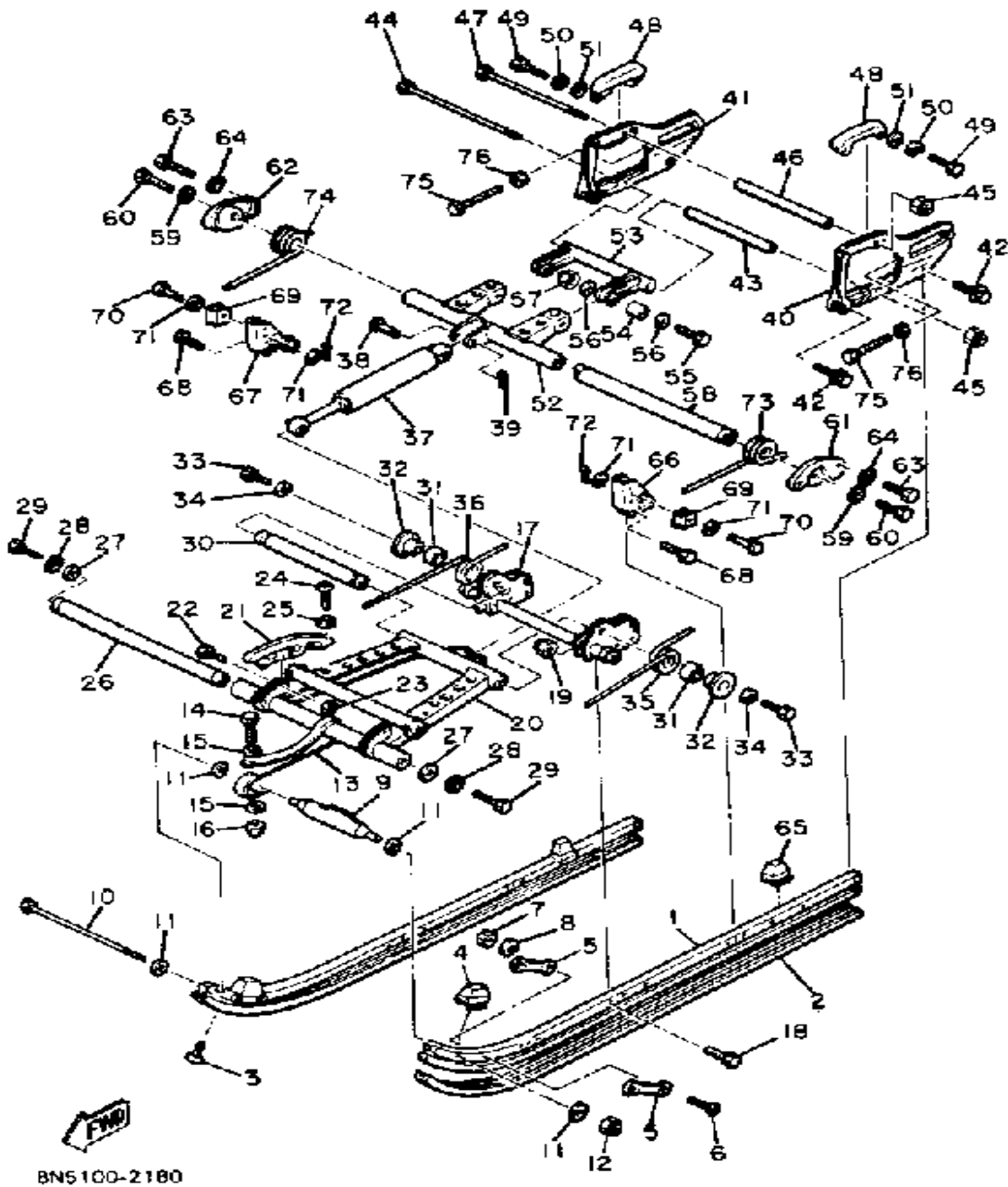


CONTINUED ON NEXT FRAME ►

Property of www.SmallEngineDiscount.com - Not for Resale

TRACK SUSPENSION 2

Ref. No.	Part Number	Description	Qty	Remarks
28	92901-10400-00	WASHER, EX.TOOTH	2	
29	97013-10030-00	BOLT (8J7) (97303-10030)	2	
30	8A5-47485-02-00	SHAFT 3	1	
31	90387-30570-00	COLLAR	2	
32	8E7-47446-00-00	HOOK 1	2	
33	97023-10035-00	BOLT, HEXAGON	2	
34	92990-10100-00	WASHER, SPRING	2	
35	90508-70375-00	SPRING, TORSION	1	
36	90508-70376-00	SPRING, TORSION	1	
37	8E7-47480-00-00	SHOCK ABSORBER	1	
38	90240-12115-00	PIN, CLEVIS	2	
39	91401-30030-00	PIN, COTTER	2	
40	8E3-47412-00-00	FRAME, SLIDING 2	1	
41	8E3-47413-00-00	FRAME, SLIDING 3	1	
42	90119-08008-00	BOLT, WITH WASHER	4	
43	90387-08496-00	COLLAR	1	
44	90101-08374-00	BOLT	1	
45	95712-08300-00	NUT, LOCK	2	
46	90387-08497-00	COLLAR	1	
47	97022-08250-00	BOLT	1	
48	8E3-47422-00-00	RUNNER, SLIDING 2	2	
49	97011-06025-00	BOLT (97001-06025)	4	
50	92995-06100-00	WASHER, SPRING	4	
51	90201-065F3-00	WASHER, PLATE	4	
52	8A5-47332-00-00	ARM, PIVOT 2	1	
53	8A5-47417-00-00	BRACKET 3	1	
54	90387-08508-00	COLLAR	2	
55	97313-08045-00	BOLT	2	
56	90201-08649-00	WASHER, PLATE	4	



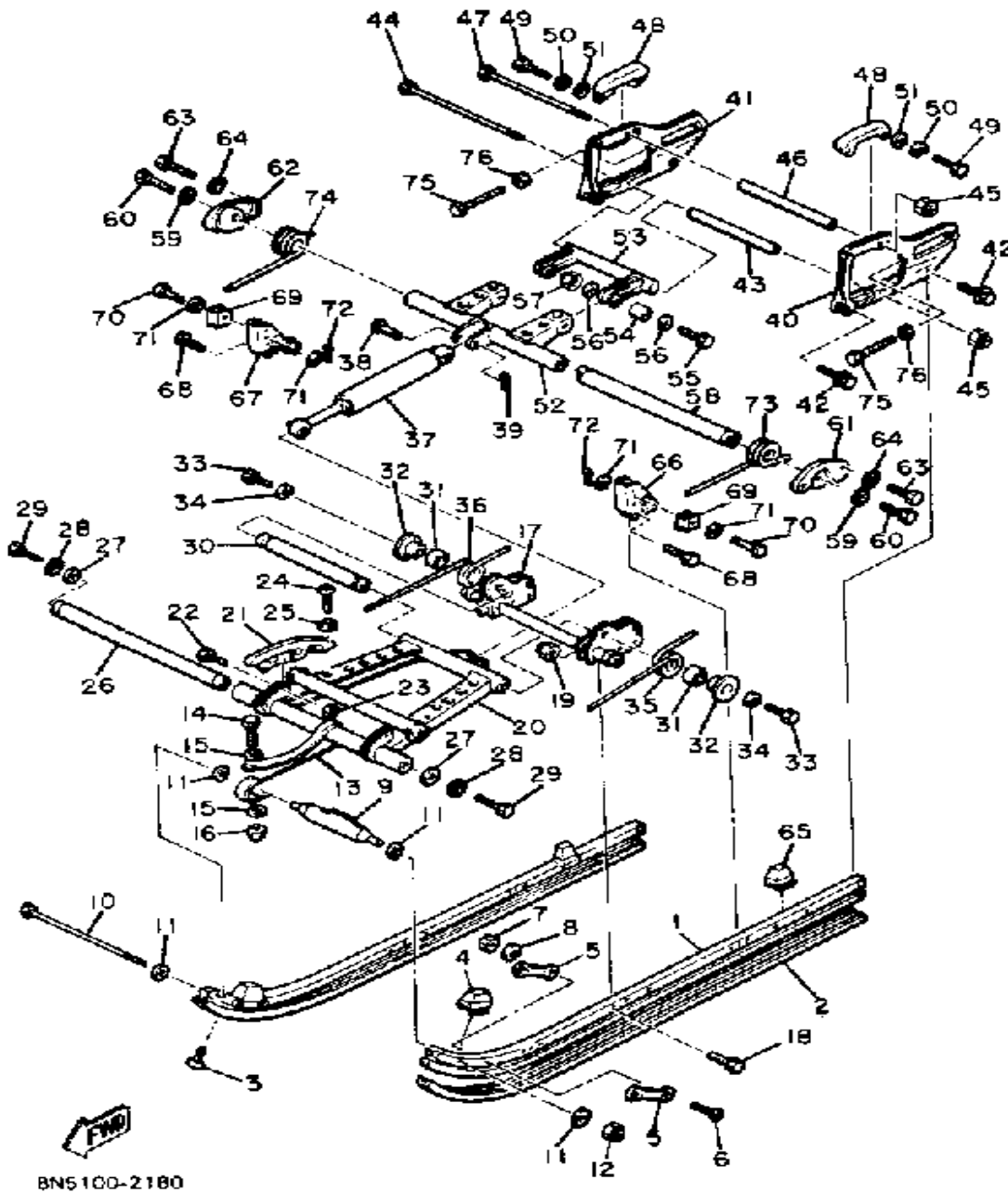
BN5100-2180

CONTINUED ON NEXT FRAME ➤

Property of www.SmallEngineDiscount.com - Not for Resale

TRACK SUSPENSION 2

Ref. No.	Part Number	Description	Qty	Remarks
57	95712-08300-00	NUT, LOCK	2	
58	8A5-47475-02-00	SHAFT 2	1	
59	92901-10400-00	WASHER, EX.TOOTH	2	
60	97013-10030-00	BOLT (8J7) (97303-10030)	2	
61	8A5-47425-00-00	BRACKET, REAR 2	1	
62	8A5-47426-00-00	BRACKET, REAR 1	1	
63	97313-08018-00	BOLT, HEXAGON (97301-08016)	4	
64	92901-08400-00	WASHER, EX.TOOTH	4	
65	885-47457-00-00	DAMPER 2	2	
66	8L4-47463-00-00	BRACKET 5	1	
67	8L4-47464-00-00	BRACKET 6	1	
68	90101-06348-00	BOLT	6	
69	890-47447-00-00	HOOK 2	2	
70	90249-12113-00	PIN	2	
71	90201-12749-00	WASHER, PLATE	4	
72	91401-30030-00	PIN, COTTER	2	
73	90508-99331-00	SPRING, TORSION	1	
74	90508-99332-00	SPRING, TORSION	1	
75	90101-10314-00	BOLT	2	
76	90179-10279-00	NUT	2	

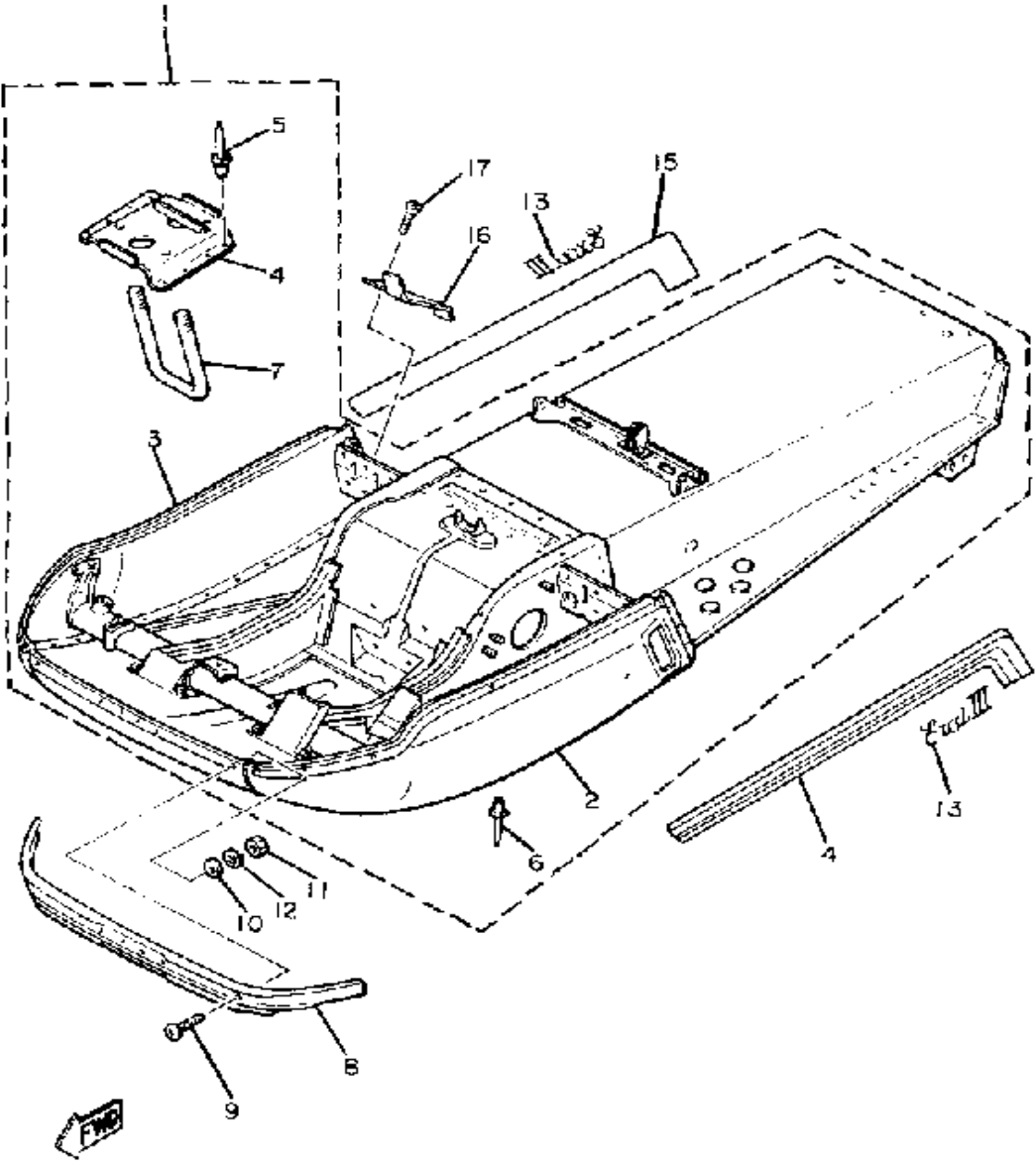


BN5100-2180

Property of www.SmallEngineDiscount.com - Not for Resale

FRAME

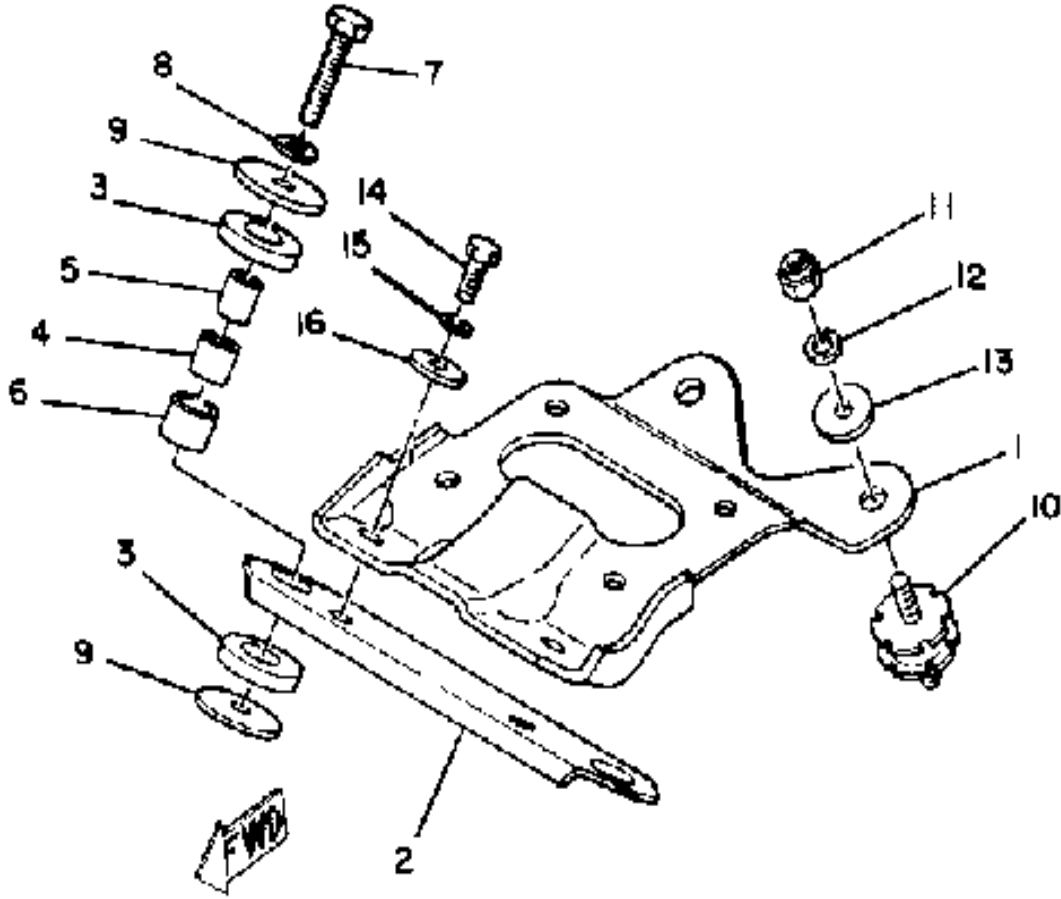
Ref. No.	Part Number	Description	Qty	Remarks
1	(8J9-21910-00-00)	FRAME	1	
2	8J6-21982-00-00	. HOOD 1	1	
3	8J9-21983-00-00	. HOOD 2	1	
4	8J9-2199G-00-00	. BRACKET, BATTERY	1	
5	90267-40075-00	. RIVET, BLIND	8	
6	90267-48057-00	. RIVET, BLIND	32	
7	8J4-82133-00-00	. SCREW, FITTING	1	
8	8G8-21986-00-00	RNFCMNT, FRAME 1	1	
9	98906-06016-00	SCREW, BIND	6	
10	90201-06M08-00	WASHER, PLATE	6	
11	95380-06600-00	NUT	6	
12	92995-06100-00	WASHER, SPRING	6	
13	8T7-77353-00-00	EMBLEM 3	2	
14	(8T7-77354-00-00)	EMBLEM 4	1	
15	(8T7-77355-00-00)	EMBLEM 5	1	
16	8T7-21961-00-00	PATCH 1	1	
17	98906-06008-00	SCREW, BIND	2	



8T7'00 3210

Property of www.SmallEngineDiscount.com - Not for Resale

ENGINE BRACKET

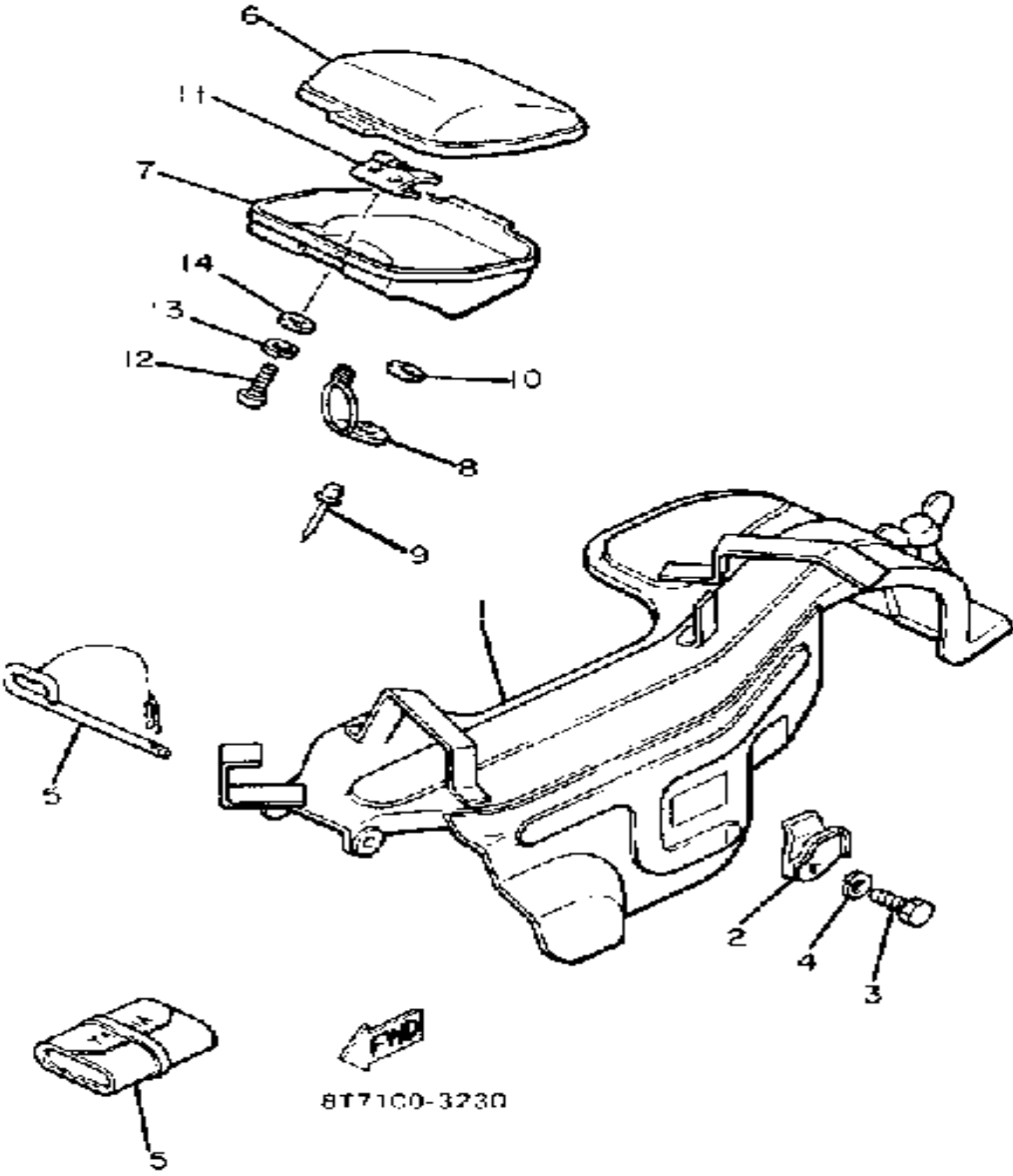


BJ610C-0200

Ref. No.	Part Number	Description	Qty	Remarks
1	8G8-21411-00-00	BRACKET, ENGINE 1	1	
2	8G8-21419-00-00	BRACKET, ENGINE 2	1	
3	8A5-21485-00-00	DAMPER, RUBBER 1	4	
4	90385-15025-00	BUSH, SPEC'L RUBBER	2	
5	90387-10514-00	COLLAR	2	
6	90387-21515-00	COLLAR	2	
7	97313-10050-00	BOLT, HEXAGON (676)	2	
8	92990-10100-00	WASHER, SPRING	2	
9	90201-10151-00	WASHER, PLATE	4	
10	8F3-21486-00-00	DAMPER 2	2	
11	95380-10600-00	NUT	2	
12	92990-10100-00	WASHER, SPRING	2	
13	90201-10321-00	WASHER, PLATE	2	
14	97011-10025-00	BOLT	2	
15	92990-10100-00	WASHER, SPRING	2	
16	90201-10639-00	WASHER, PLATE	2	

Property of www.SmallEngineDiscount.com - Not for Resale

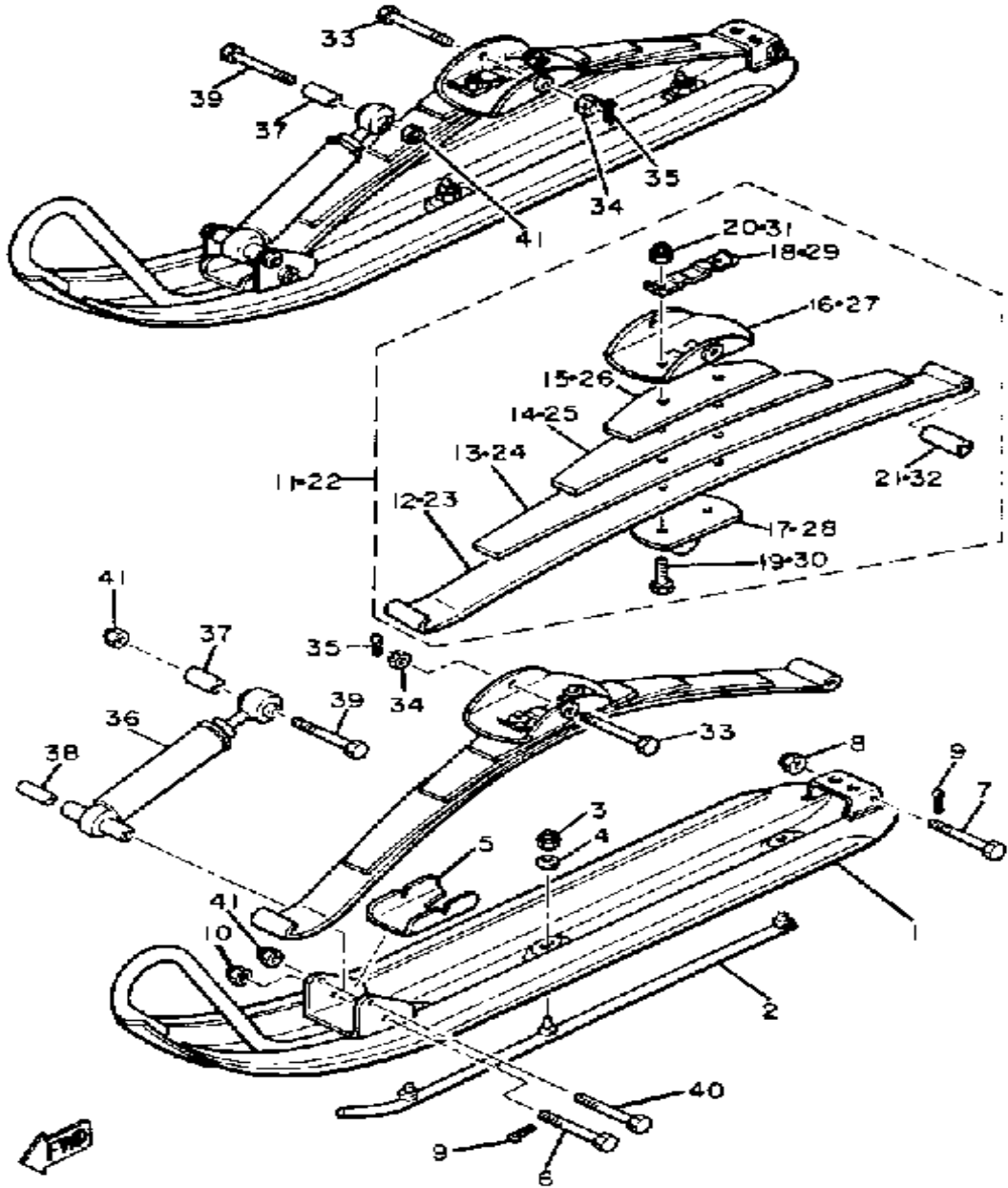
GUARD - LUGGAGE BOX



Ref. No.	Part Number	Description	Qty	Remarks
1	8H9-77311-00-00	GUARD, DRIVE	1	
2	8F3-77323-00-00	PROTECTOR, DRIVE	1	
3	97011-08016-00	BOLT	1	
4	92902-08100-00	WASHER, SPRING	1	
5	8F3-77327-00-00	SHAFT	1	
6	1T4-2177E-00-00	LID	1	
7	1T4-2177A-00-00	BOX	1	
8	8K4-77386-00-00	HOOK 1	1	
9	90267-48086-00	RIVET, BLIND	1	
10	90201-04325-00	WASHER, PLATE	1	
11	8T5-77376-00-00	BRACKET, SPARK PLUG	1	
12	98503-06014-00	SCREW, PAN HEAD (92502-06016)	3	
13	92995-06100-00	WASHER, SPRING	3	
14	92901-06600-00	WASHER	3	
15	8F3-28100-00-00	TOOL KIT	1	

Property of www.SmallEngineDiscount.com - Not for Resale

SKI

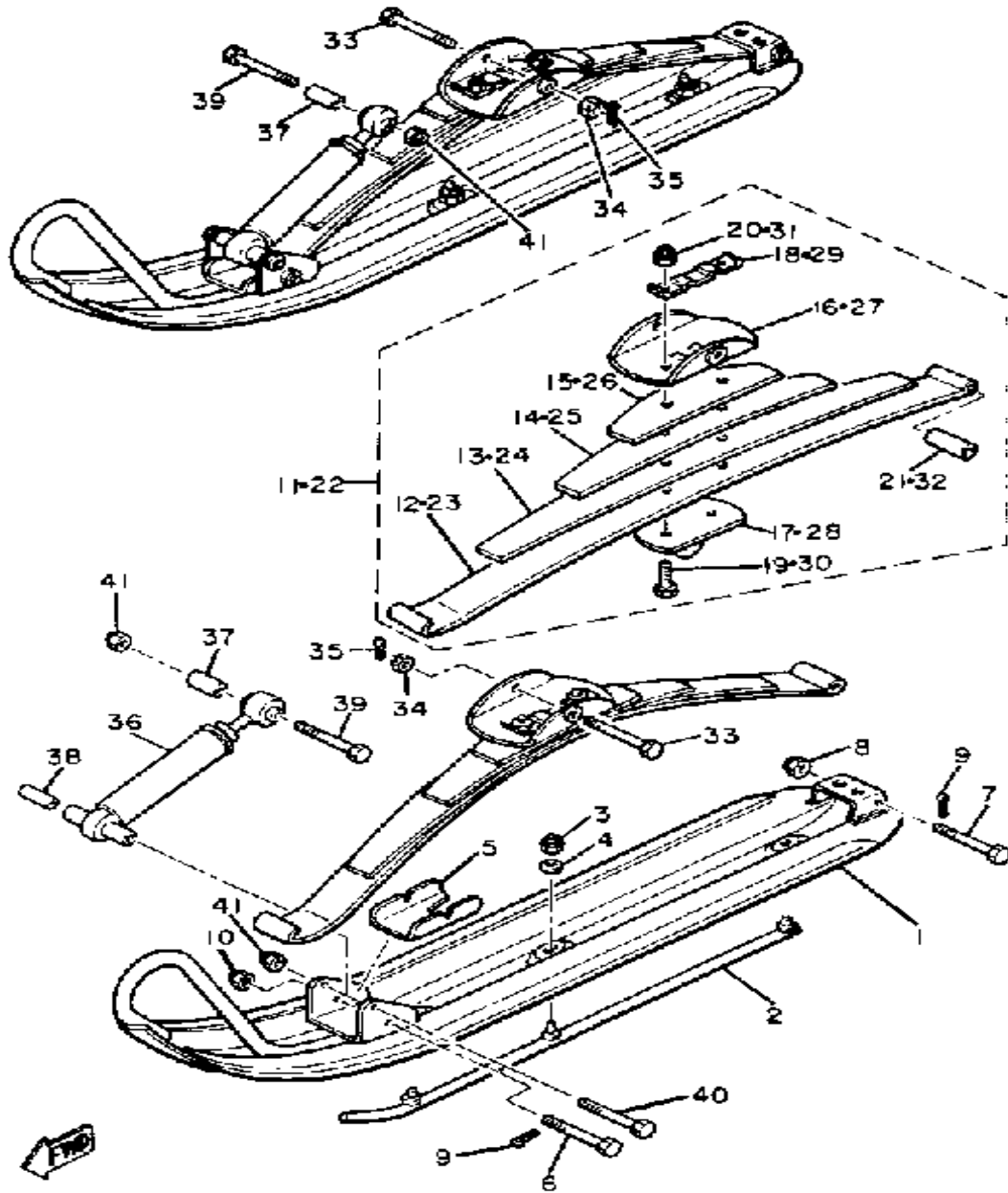


Ref. No.	Part Number	Description	Qty	Remarks
1	8F3-23710-01-00	SKI 1 (888-23731-01)	2	
2	888-23731-01-XX	SKI RUNNER, 1	2	
3	95712-08300-00	NUT, LOCK	6	
4	92906-08200-00	WASHER	6	
5	8F3-23735-00-00	PLATE, WEAR 1	2	
6	90102-08028-00	BOLT, WITH HOLE	2	
7	90102-08027-00	BOLT, WITH HOLE	2	
8	95712-08300-00	NUT, LOCK	2	
9	91490-20020-00	PIN, COTTER	4	
10	95611-08100-00	NUT, U	2	
11	8M8-23760-00-00	SPRING ASSEMBLY 1	1	
12	888-23761-00-00	. LEAF 1	1	
13	865-23762-00-00	. LEAF 2	1	
14	888-23763-00-00	. LEAF 3	1	
15	865-23771-00-00	. LEAF 5	1	
16	8G6-23766-00-00	. SADDLE 1	1	
17	878-23768-00-00	. SEAT, SPRING 1	1	
18	90215-10155-00	. WASHER, LOCK	1	
19	90109-105E1-00	. BOLT	2	
20	90185-10085-00	. NUT, SELF-LOCKING	2	
21	90387-08478-00	. COLLAR	1	
22	8M8-23770-00-00	SPRING ASSEMBLY 2	1	
23	888-23761-00-00	. LEAF 1	1	
24	865-23762-00-00	. LEAF 2	1	
25	888-23763-00-00	. LEAF 3	1	
26	865-23771-00-00	. LEAF 5	1	
27	8G6-23766-00-00	. SADDLE 1	1	
28	878-23768-00-00	. SEAT, SPRING 1	1	
29	90215-10155-00	. WASHER, LOCK	1	

CONTINUED ON NEXT FRAME ➤

Property of www.SmallEngineDiscount.com - Not for Resale

SKI

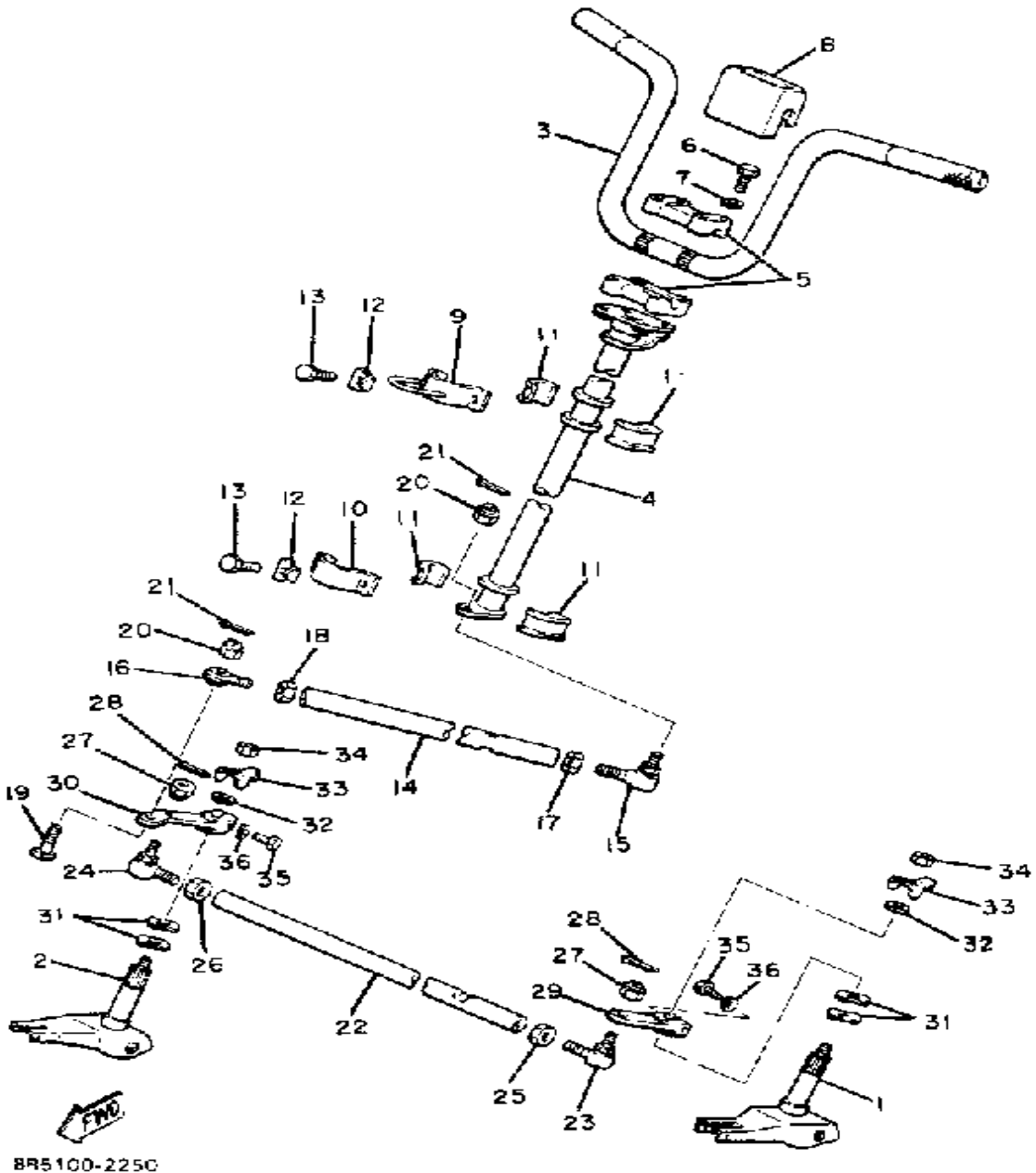


8MB010-1230

Ref. No.	Part Number	Description	Qty	Remarks
30	90109-105E1-00	. BOLT	2	
31	90185-10085-00	. NUT, SELF-LOCKING	2	
32	90387-08478-00	. COLLAR	1	
33	90102-12030-00	BOLT, WITH HOLE	2	
34	90171-12040-00	NUT, CASTLE	2	
35	91401-30030-00	PIN, COTTER	2	
36	8J6-23350-00-00	SHOCK ABSORBER ASSEMBLY	2	
37	90387-08262-00	COLLAR	2	
38	90387-08224-00	COLLAR	2	
39	97313-08055-00	BOLT, HEXAGON	2	
40	97021-08070-00	BOLT	2	
41	95712-08300-00	NUT, LOCK	4	

Property of www.SmallEngineDiscount.com - Not for Resale

STEERING



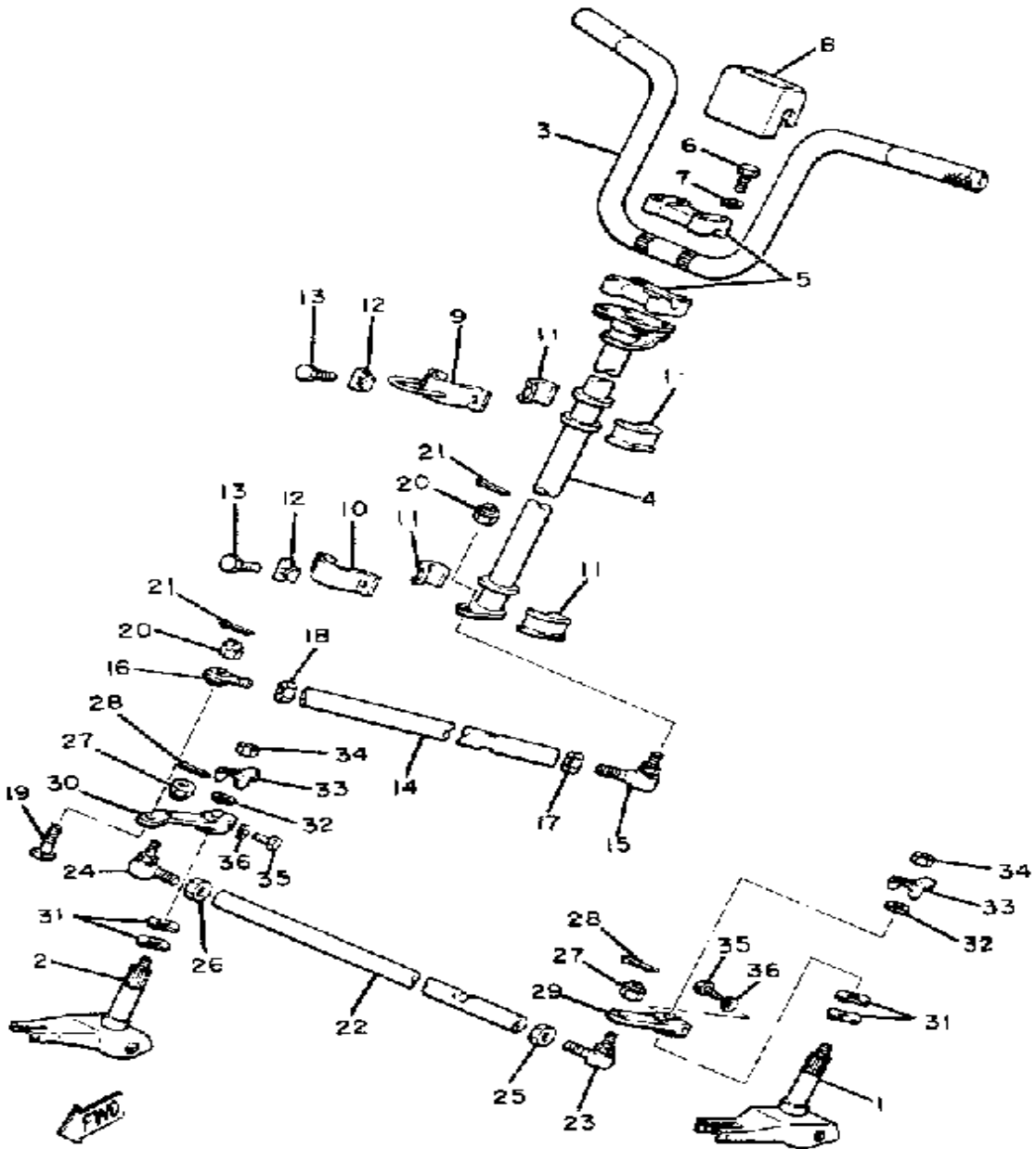
BR5100-2250

Ref. No.	Part Number	Description	Qty	Remarks
1	83T-23853-00-00	COLUMN, SKI 1	1	
2	83T-23854-00-00	COLUMN, SKI 2	1	
3	8G8-23811-00-00	COLUMN, STEERING	1	
4	8G8-23813-00-00	COLUMN, STEERING 2	1	
5	164-23441-00-98	HOLDER, HANDLE UPPER ...	2	
6	97321-08055-00	BOLT, HEXAGON	4	
7	92902-08100-00	WASHER, SPRING	4	
8	8F3-23818-00-00	COVER, STEERING	1	
9	84M-23872-00-00	HOLDER, BEARING	1	
10	84M-23868-00-00	BRACKET, STEERING LOWER	1	
11	8F3-23812-00-00	PLANE BEARING, STEERING .	4	
12	90215-08262-00	WASHER, LOCK	4	
13	97313-08016-00	BOLT, HEXAGON	4	
14	8G8-23821-00-00	ROD, STEERING RELAY	1	
15	86X-23841-00-00	JOINT, UNIVERSAL 1	1	
16	87S-23847-00-00	JOINT, UNIVERSAL 3	1	
17	95303-10700-00	NUT	1	
18	90170-10186-00	NUT	1	
19	90109-10482-00	BOLT	1	
20	95701-10300-00	NUT, FLANGE (95702-10300) ..	2	
21	91490-20020-00	PIN, COTTER	2	
22	8G8-23831-00-00	ROD, TIE	1	
23	86X-23841-00-00	JOINT, UNIVERSAL 1	1	
24	86X-23845-00-00	JOINT, UNIVERSAL 2	1	
25	95303-10700-00	NUT	1	
26	90170-10186-00	NUT	1	
27	95701-10300-00	NUT, FLANGE (95702-10300) ..	2	
28	91490-20020-00	PIN, COTTER	2	
29	8F3-23851-00-00	ARM, OUTSIDE 1	1	

CONTINUED ON NEXT FRAME ➤

Property of www.SmallEngineDiscount.com - Not for Resale

STEERING

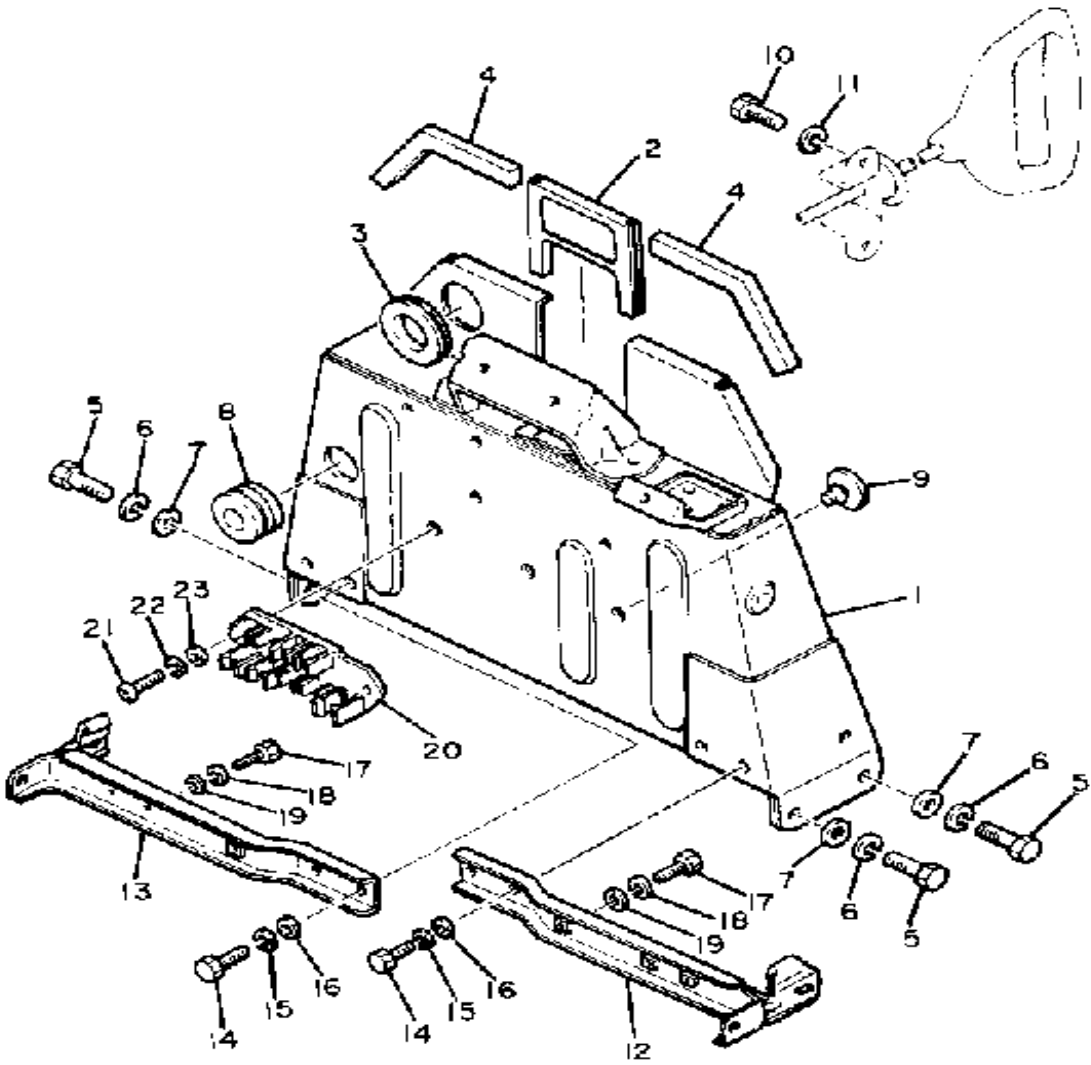


BR5100-2250

Ref. No.	Part Number	Description	Qty	Remarks
30	8F3-23852-00-00	ARM, OUTSIDE 2	1	
31	90206-20037-00	WASHER, WAVE	4	
32	90201-10752-00	WASHER, PLATE	2	
33	90215-10096-00	WASHER, LOCK	2	
34	95303-10600-00	NUT (95301-10600)	2	
35	97001-08025-00	BOLT (1NV)	2	
36	92902-08100-00	WASHER, SPRING	2	

Property of www.SmallEngineDiscount.com - Not for Resale

STEERING GATE

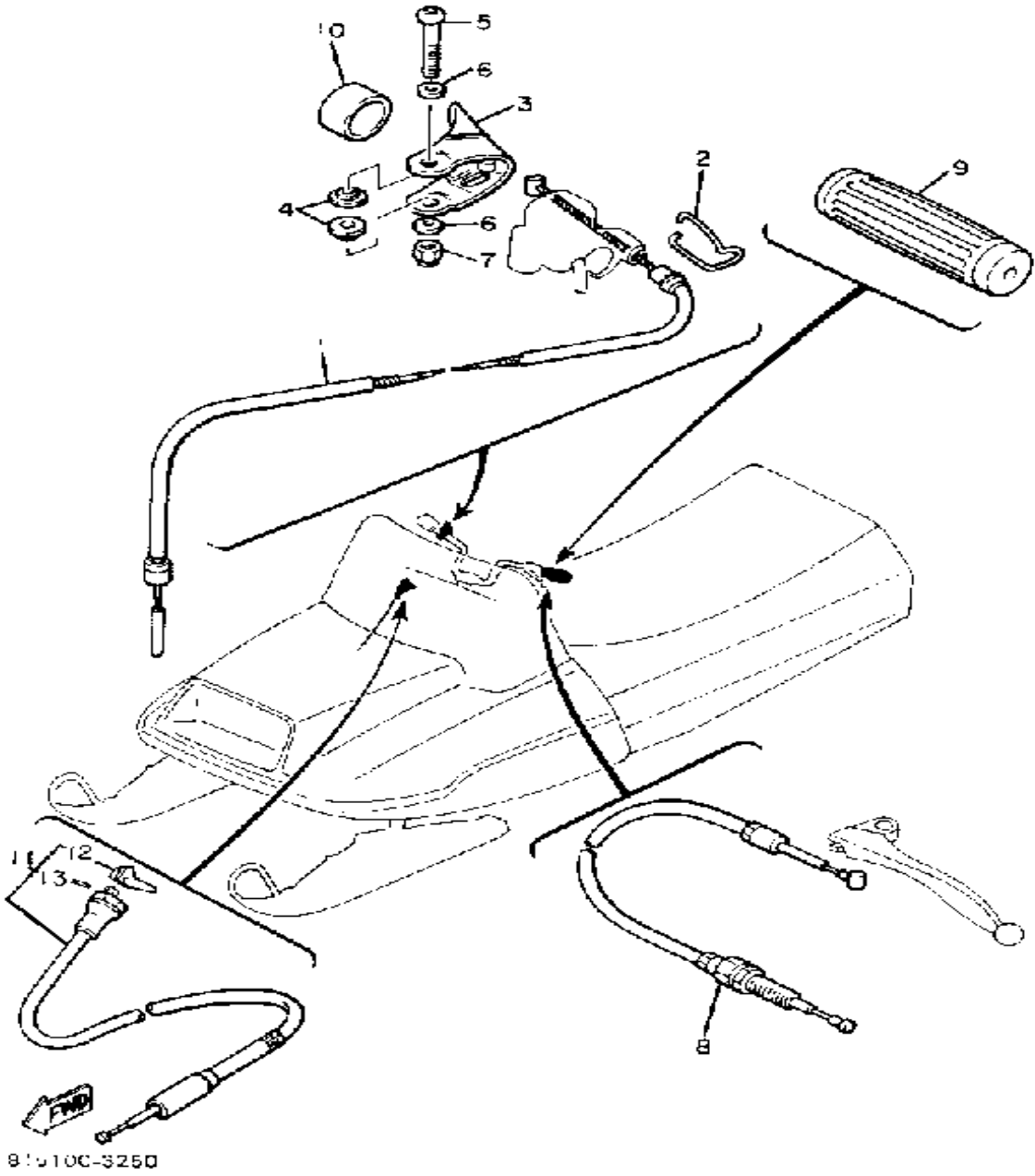


8L4100-1240

Ref. No.	Part Number	Description	Qty	Remarks
1	(8K3-23871-00-00)	GATE, STEERING	1	
2	(8G8-23874-00-00)	HOLDER, WIRE	1	
3	90480-40047-00	GROMMET	1	
4	(8G8-77319-00-00)	DAMPER 1	2	
5	97313-08018-00	BOLT, HEXAGON (97301-08016)	4	
6	92990-08100-00	WASHER	4	
7	92901-08600-00	WASHER	4	
8	90480-28191-00	GROMMET	1	
9	90338-09085-00	PLUG, SPEC'L SHAPE	3	
10	97013-06012-00	BOLT	2	
11	92995-06100-00	WASHER, SPRING	2	
12	8G5-23898-00-00	BRACKET 3	1	
13	(8J4-23899-00-00)	BRACKET 4	1	
14	97013-06012-00	BOLT	4	
15	92995-06100-00	WASHER, SPRING	4	
16	92901-06600-00	WASHER	4	
17	97301-06014-00	BOLT, HEXAGON	6	
18	92995-06100-00	WASHER, SPRING	6	
19	90201-065F3-00	WASHER, PLATE	4	
20	8F3-21794-00-00	HOLDER, COUPLER	1	
21	98503-06014-00	SCREW, PAN HEAD (92502-06016)	2	
22	92995-06100-00	WASHER, SPRING	2	
23	92990-06200-00	WASHER	2	

Property of www.SmallEngineDiscount.com - Not for Resale

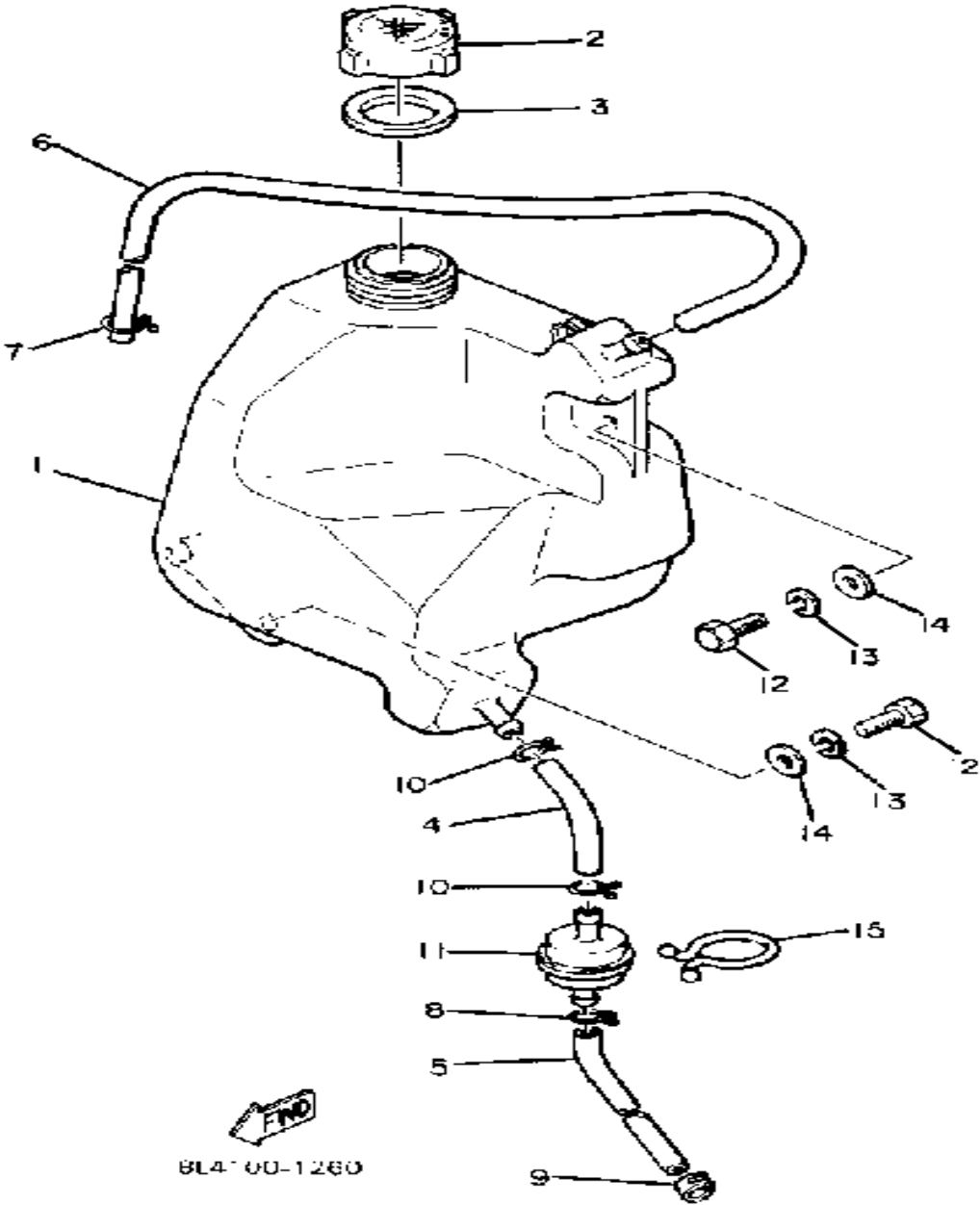
CONTROL - CABLE



Ref. No.	Part Number	Description	Qty	Remarks
1	8F3-26311-00-00	CABLE, THROTTLE 1	1	
2	90468-10017-00	CLIP (821-26391-00)	1	
3	8J5-42138-00-00	LEVER, THROTTLE	1	
4	90387-06681-00	COLLAR	2	
5	98580-06550-00	SCREW PAN HEAD (92503-06050)	1	
6	92901-06600-00	WASHER	2	
7	95701-06300-00	NUT, NYLON	1	
8	8F3-26340-01-00	CABLE, BRAKE	1	
9	801-26241-01-00	GRIP	2	
10	90387-22726-00	COLLAR	1	
11	8L3-26331-00-00	CABLE, STARTER 1	1	
12	8L3-26374-00-00	. END, CABLE 3	1	
13	91609-30010-00	. PIN, SPRING	1	

Property of www.SmallEngineDiscount.com - Not for Resale

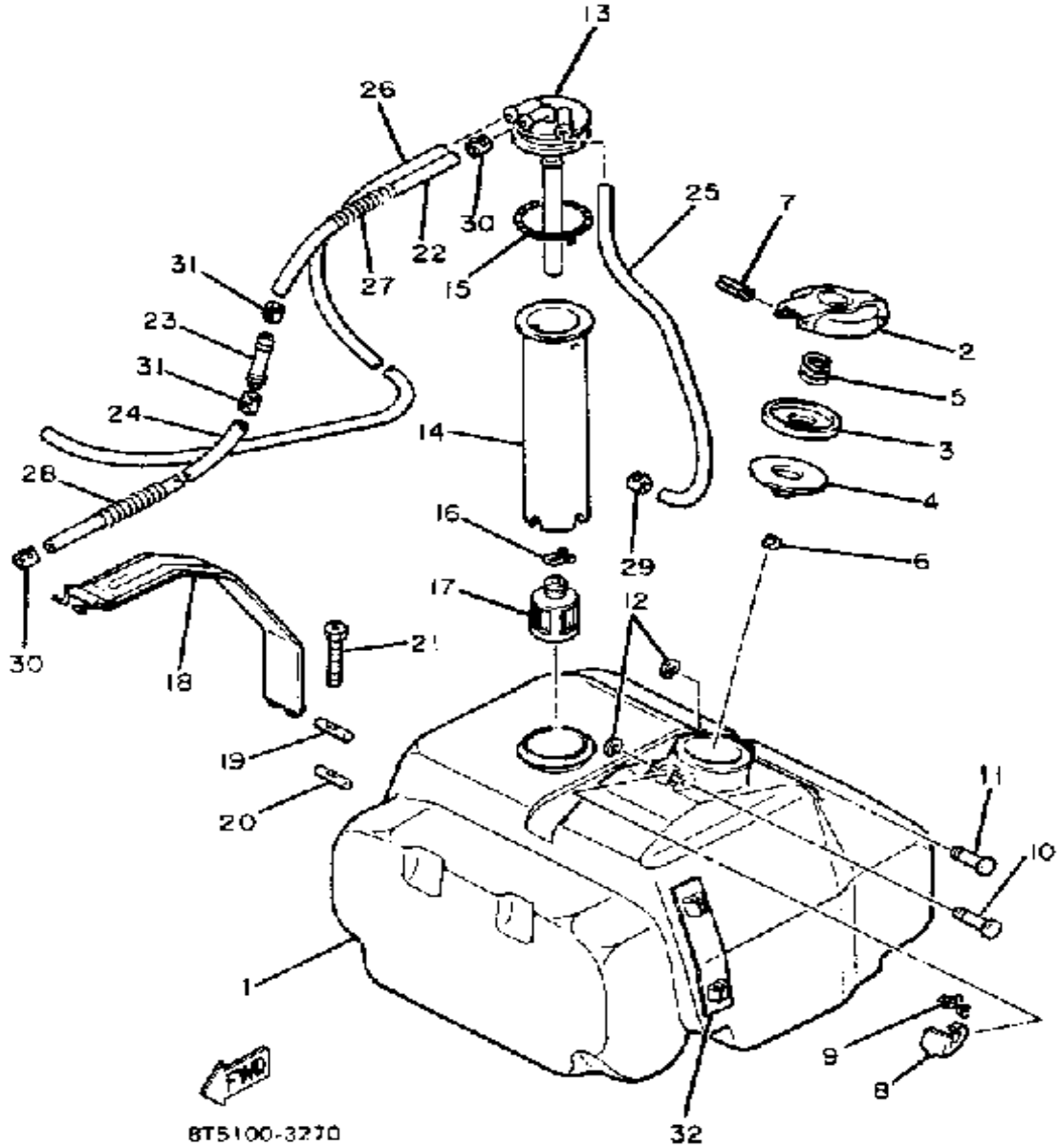
OIL TANK



Ref. No.	Part Number	Description	Qty	Remarks
1	8G8-21751-00-00	TANK, OIL	1	
2	863-21771-00-00	BODY, CAP	1	
3	90430-31003-00	GASKET	1	
4	90446-11081-00	HOSE	1	
5	90446-09067-00	HOSE	1	
6	90446-09015-00	HOSE	1	
7	90464-23041-00	CLAMP	1	
8	90467-09005-00	CLIP, SCISSOR	1	
9	90467-09026-00	CLIP	1	
10	90467-11009-00	CLIP	2	
11	8G8-13410-00-00	STRAINER HOUSING ASSEMBLY	1	
12	97313-08020-00	BOLT, HEXAGON	2	
13	92902-08100-00	WASHER, SPRING	2	
14	92990-08200-00	WASHER, PLAIN	2	
15	90464-30040-00	CLAMP	1	

Property of www.SmallEngineDiscount.com - Not for Resale

FUEL TANK

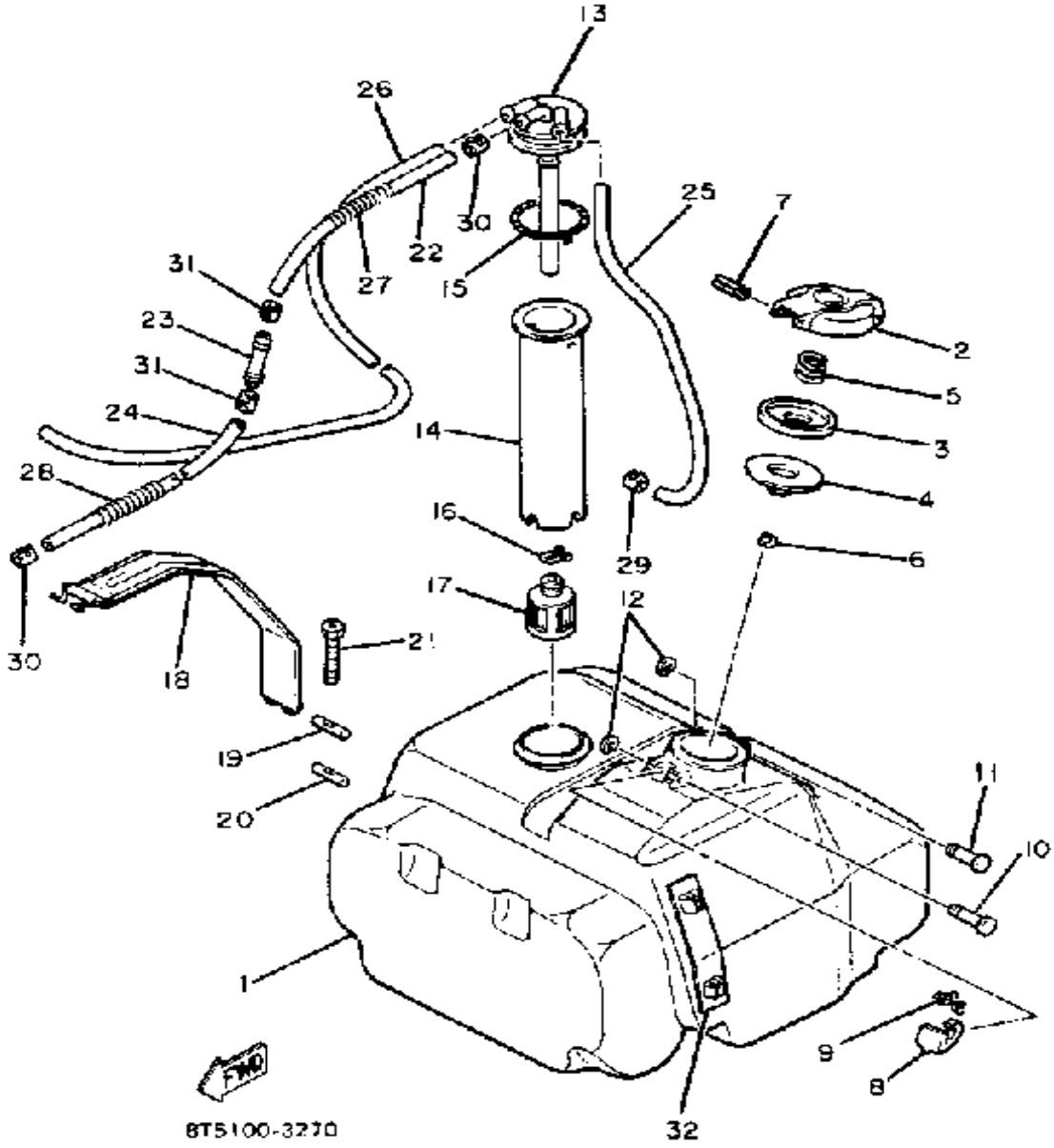


Ref. No.	Part Number	Description	Qty	Remarks
1	8G8-24111-00-00	FUEL TANK	1	
2	813-24611-01-00	BODY, CAP	1	
3	813-24613-01-00	DISC, CAP	1	
4	8F7-24641-00-00	GASKET, CAP 1	1	
5	90501-20130-00	SPRING, COMPRESSION	1	
6	91609-30016-00	PIN, SPRING	1	
7	91609-25032-00	PIN, SPRING	1	
8	83M-24628-00-00	HOOK	1	
9	90508-08003-00	SPRING, TORSION (813-24637-00)	1	
10	90249-03016-00	PIN, SPEC'L SHAPE	1	
11	90249-03017-00	PIN	1	
12	93430-02001-00	CIRCLIP	2	
13	8G8-24335-00-00	PIPE, SUCTION 1	1	
14	813-24336-00-00	PIPE, SUCTION 2	1	
15	90506-06065-00	SPRING, TENSION	1	
16	90467-10008-00	CLIP	1	
17	8H5-24560-00-00	FILTER ASSEMBLY	1	
18	(883-24173-00-00)	BAND, TNK FITTING 1	1	
19	806-24135-00-00	CLAMP 1	1	
20	90179-05030-00	NUT, SPEC'L SHAPE (806-24146-00)	1	
21	90149-05006-00	SCREW, SPEC'L SHAPE (821-24176-00)	1	
22	90446-11109-00	HOSE	1	
23	8Y4-24376-00-00	PIPE, JOINT 1	1	
24	90446-09062-00	HOSE	1	
25	91A30-05045-00	TUBE, FLEXIBLE VINYL	1	
26	90446-09092-00	HOSE	1	
27	8F3-24326-00-00	PROTECTOR, PIPE	1	

CONTINUED ON NEXT FRAME ►

Property of www.SmallEngineDiscount.com - Not for Resale

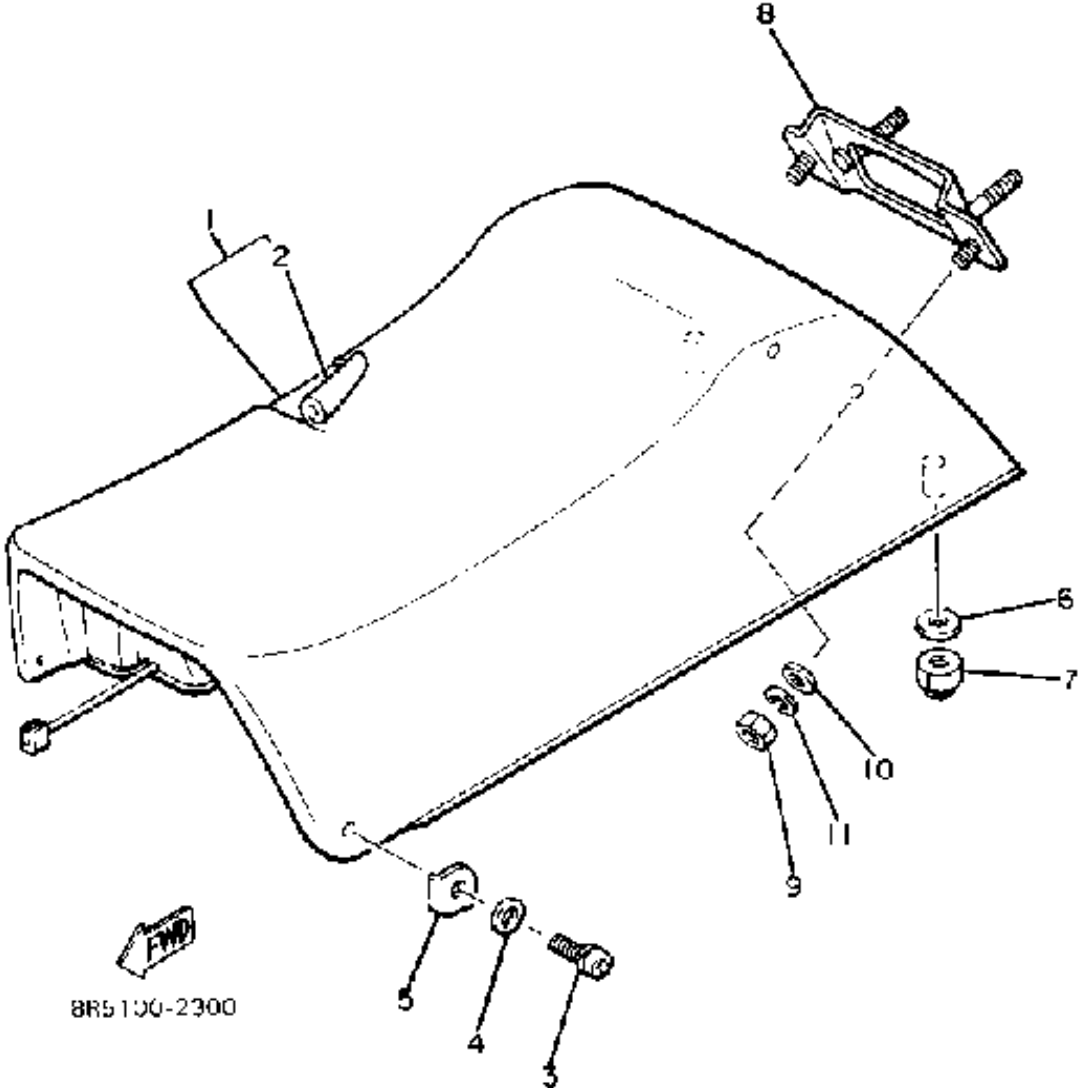
FUEL TANK



Ref. No.	Part Number	Description	Qty	Remarks
28	8G5-24328-00-00	PROTECTOR, PIPE	1	
29	90467-09026-00	CLIP	1	
30	90467-11028-00	CLIP	2	
31	90467-09026-00	CLIP	2	
32	(8G8-24179-00-00)	GAUGE, FUEL	1	

Property of www.SmallEngineDiscount.com - Not for Resale

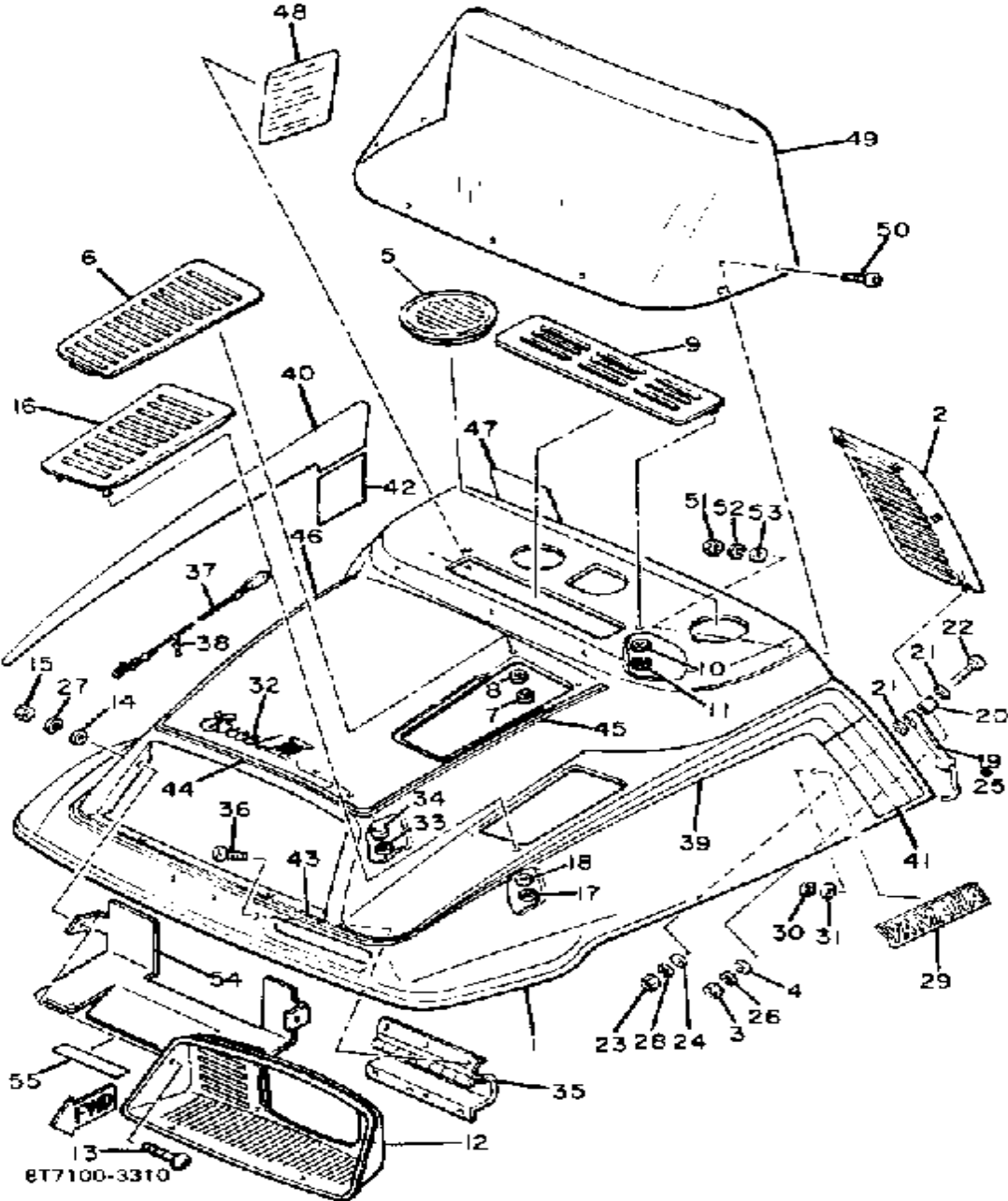
SEAT



Ref. No.	Part Number	Description	Qty	Remarks
1	8G8-24710-01-00	SINGLE SEAT ASSEMBLY	1	
2	8G8-24711-00-00	. COVER, SINGLE SEAT	1	
3	90159-06019-00	SCREW, WITH WASHER	2	
4	90201-063J2-00	WASHER, PLATE	2	
5	90215-14147-00	WASHER, LOCK	2	
6	90201-08748-00	WASHER, PLATE	2	
7	95712-08300-00	NUT, LOCK	2	
8	8G8-84519-00-00	BRACKET, TAILLIGHT	1	
9	95380-06600-00	NUT	2	
10	92901-06600-00	WASHER	2	
11	92995-06100-00	WASHER, SPRING	2	

Property of www.SmallEngineDiscount.com - Not for Resale

SHROUD - WINDSHIELD

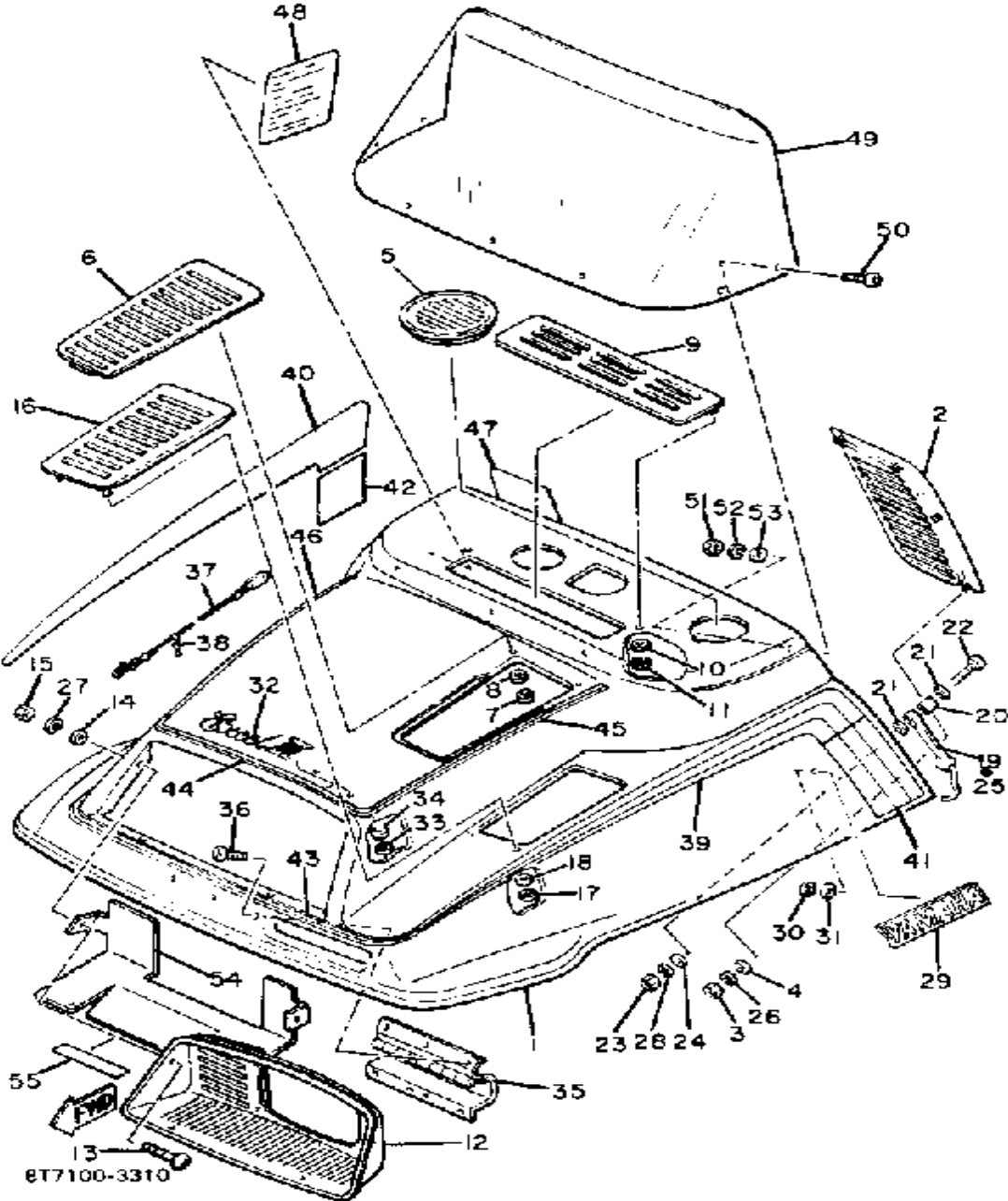


Ref. No.	Part Number	Description	Qty	Remarks
1	8T7-W7711-00-00	SHROUD ASSEMBLY	1	
2	8F3-77131-00-00	LOUVER 1	1	
3	95380-05600-00	NUT	4	
4	92990-05200-00	WASHER, PLAIN	4	
5	8A7-77133-30-00	LOUVER 3	1	
6	8J4-77134-00-00	LOUVER 4	1	
7	90183-05003-00	NUT, SPRING	2	
8	838-77143-00-00	EMBLEM 3	2	
9	8J4-77109-00-00	LOUVER 5	1	
10	838-77143-00-00	EMBLEM 3	2	
11	90183-05003-00	NUT, SPRING	2	
12	8F3-84311-00-00	BODY, HEADLIGHT	1	
13	98906-05020-00	SCREW, BIND	4	
14	90201-05651-00	WASHER, PLATE	3	
15	95380-05600-00	NUT	4	
16	8J4-77108-00-00	LOUVER 6	1	
17	90183-05003-00	NUT, SPRING	2	
18	838-77143-00-00	EMBLEM 3	2	
19	8G5-77170-00-00	LATCH ASSEMBLY	1	
20	90560-07007-00	SPACER	2	
21	90201-06067-00	WASHER, PLATE	4	
22	98906-06030-00	SCREW, BIND	2	
23	95380-06600-00	NUT	2	
24	92901-06600-00	WASHER	2	
25	8N8-77170-00-00	LATCH ASSEMBLY	1	
26	92990-05100-00	WASHER, SPRING	4	
27	92990-05100-00	WASHER, SPRING	4	
28	92995-06100-00	WASHER, SPRING	2	
29	8H8-77141-00-00	EMBLEM 1	2	

CONTINUED ON NEXT FRAME ➤

Property of www.SmallEngineDiscount.com - Not for Resale

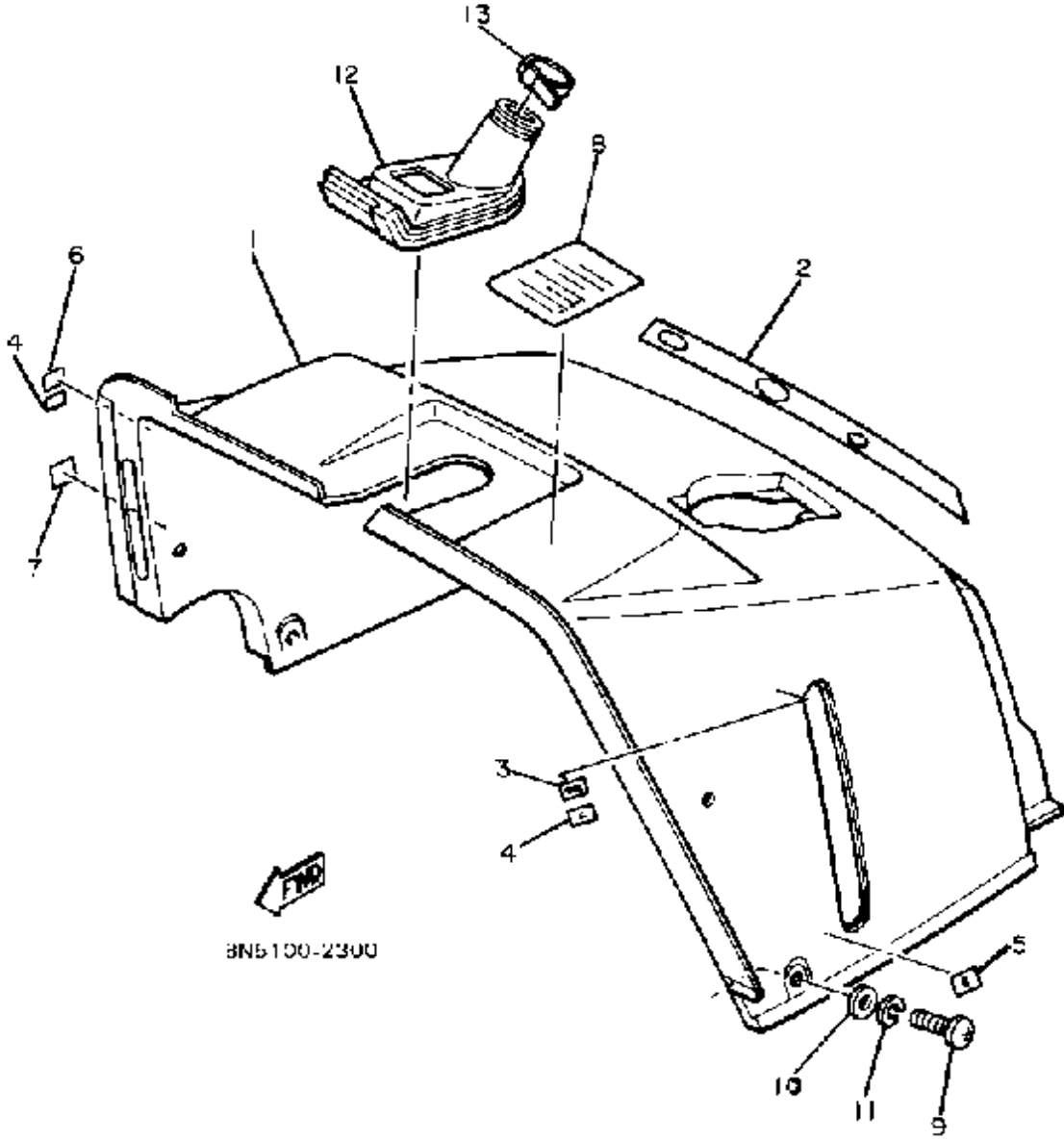
SHROUD - WINDSHIELD



Ref. No.	Part Number	Description	Qty	Remarks
30	90183-04005-00	NUT, SPRING	4	
31	90202-04003-00	WASHER, PLATE	4	
32	8L6-77142-00-00	EMBLEM 2	1	
33	90183-04005-00	NUT, SPRING	2	
34	90202-04003-00	WASHER, PLATE	2	
35	8F3-77140-00-00	HINGE ASSEMBLY	1	
36	98903-06016-00	SCREW, BIND	3	
37	8G8-77118-00-00	STOPPER, SHROUD	1	
38	838-77159-00-00	CLAMP, ROD	1	
39	8T7-77163-00-00	ORNAMENT 1	1	
40	8T7-77164-00-00	ORNAMENT 2	1	
41	8T7-77169-00-00	ORNAMENT 3	1	
42	8T7-77113-00-00	ORNAMENT 4	1	
43	8T7-77281-00-00	STRIPE 1	1	
44	8T7-77282-00-00	STRIPE 2	1	
45	8T7-77283-00-00	STRIPE 3	1	
46	8T7-77284-00-00	STRIPE 4	1	
47	8N4-77458-00-00	LABEL, WARNING	1	
48	8N5-77743-00-00	INDICATOR 3	1	
49	8N5-77210-00-00	WINDSHIELD	1	
50	90154-05005-00	SCREW, BINDING	7	
51	95380-05600-00	NUT	7	
52	92990-05100-00	WASHER, SPRING	7	
53	90201-05029-00	WASHER, PLATE	6	
54	8T7-77373-00-00	PROTECTOR	1	
55	8T7-77762-00-00	LABEL, WARNING 2	1	

Property of www.SmallEngineDiscount.com - Not for Resale

INSTRUMENT PANEL

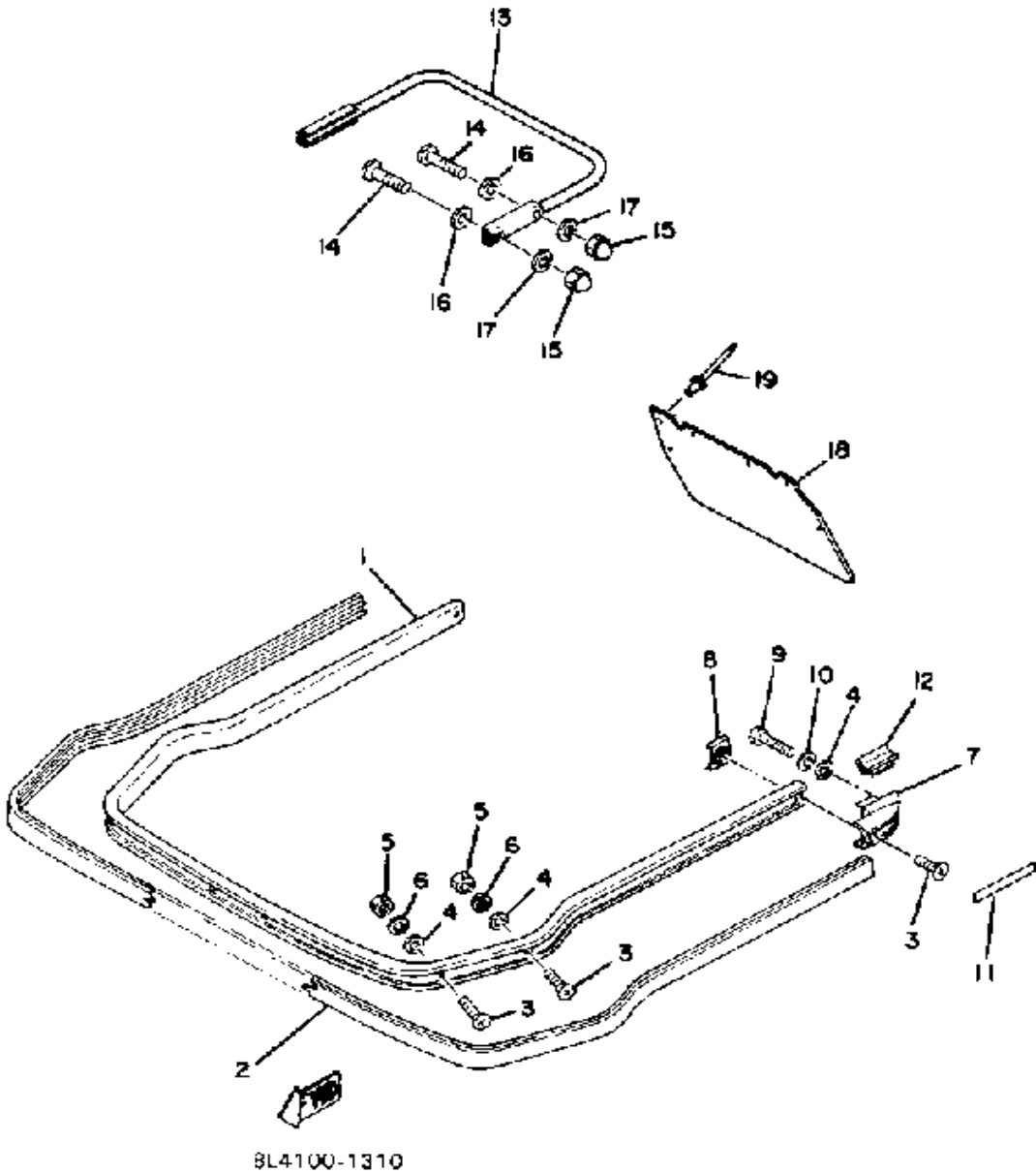


Ref. No.	Part Number	Description	Qty	Remarks
1	8G8-77711-00-00	PANEL, INSTRUMENT	1	
2	8T7-77741-00-00	INDICATOR 1	1	
3	8A1-77743-00-00	INDICATOR 3	1	
4	878-77744-00-00	INDICATOR 4	2	
5	878-77745-00-00	INDICATOR 5	1	
6	8G8-77742-00-00	INDICATOR 2	1	
7	8E7-77742-00-00	INDICATOR 2	1	
8	8N5-77767-00-00	LABEL, WARNING 7	1	
9	98506-06014-00	SCREW, PAN HEAD (92506-06014)	4	
10	90201-06057-00	WASHER, PLATE	4	
11	92906-06100-00	WASHER, SPRING	4	
12	(8G8-77746-00-00)	GROMMET	1	
13	(8T7-W0070-00-00)	GRAPHIC SET	1	OPTIONAL KITMARKED WITH
	341-26397-01-00	BAND	1	

Property of www.SmallEngineDiscount.com - Not for Resale

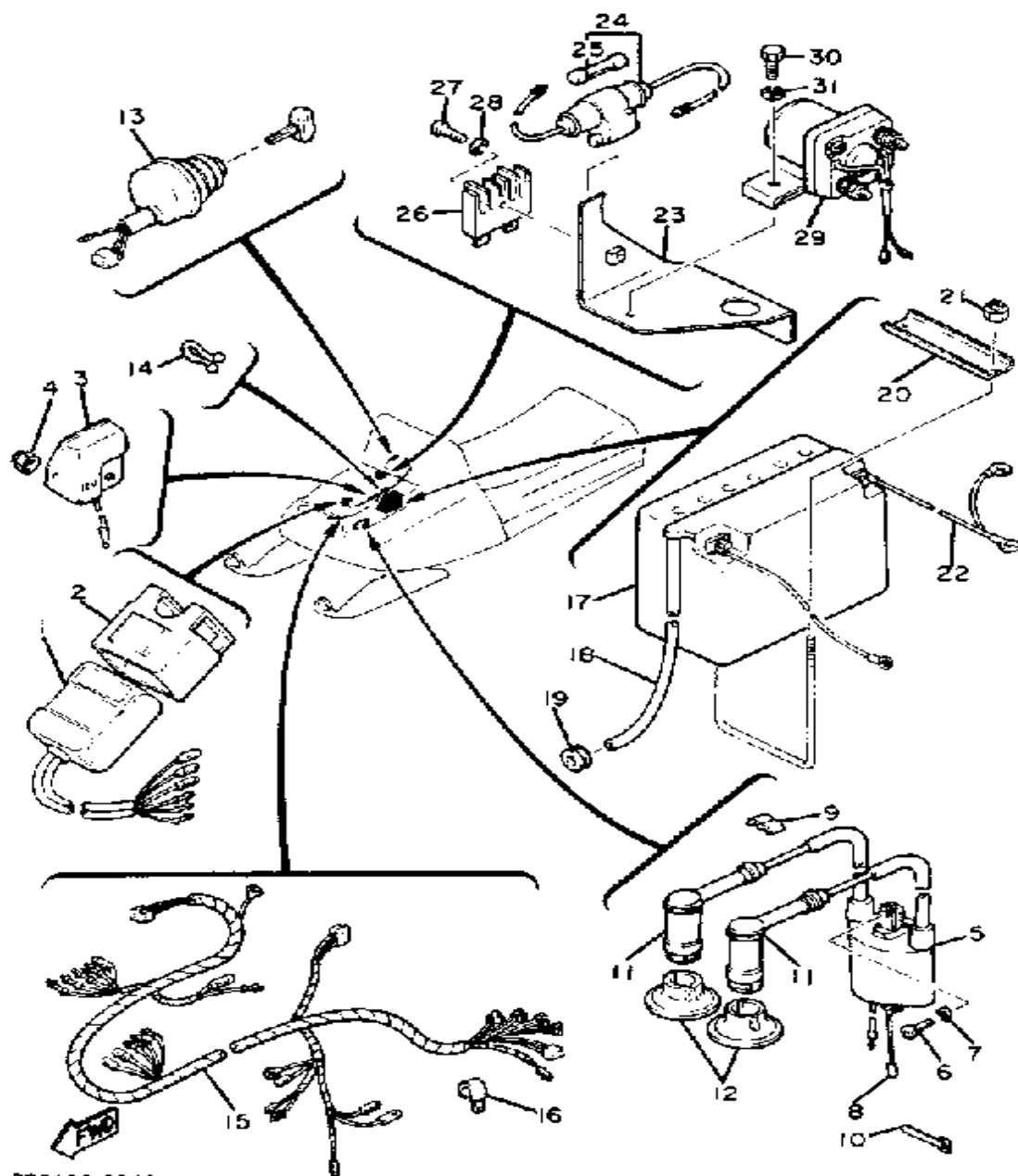
BUMPER

Ref. No.	Part Number	Description	Qty	Remarks
1	8G8-77511-00-00	BUMPER, FRONT 1	1	
2	8G8-77514-00-00	BUMPER, FRONT 4	1	
3	98701-06030-00	SCREW, FLAT HEAD	6	
4	90201-06M08-00	WASHER, PLATE	8	
5	95380-06600-00	NUT	4	
6	92995-06100-00	WASHER, SPRING	4	
7	8G8-77523-01-00	END, BUMPER	2	
8	8G8-77535-00-00	STAY 1	2	
9	97023-06020-00	BOLT (3XF)	4	
10	92995-06100-00	WASHER, SPRING	4	
11	8G8-77283-00-00	STRIPE 3	2	
12	8H5-77516-00-00	BUSH, RUBBER 2	2	
13	8N5-77541-00-00	BUMPER, REAR 1	1	
14	98901-08035-00	SCREW, BIND	4	
15	95303-08800-00	NUT (CROWN) (95301-08800)	4	
16	92990-08200-00	WASHER, PLAIN	4	
17	92990-08100-00	WASHER	4	
18	8F2-77595-00-00	FLAP	1	
19	90267-48086-00	RIVET, BLIND	5	



Property of www.SmallEngineDiscount.com - Not for Resale

ELECTRICAL 1



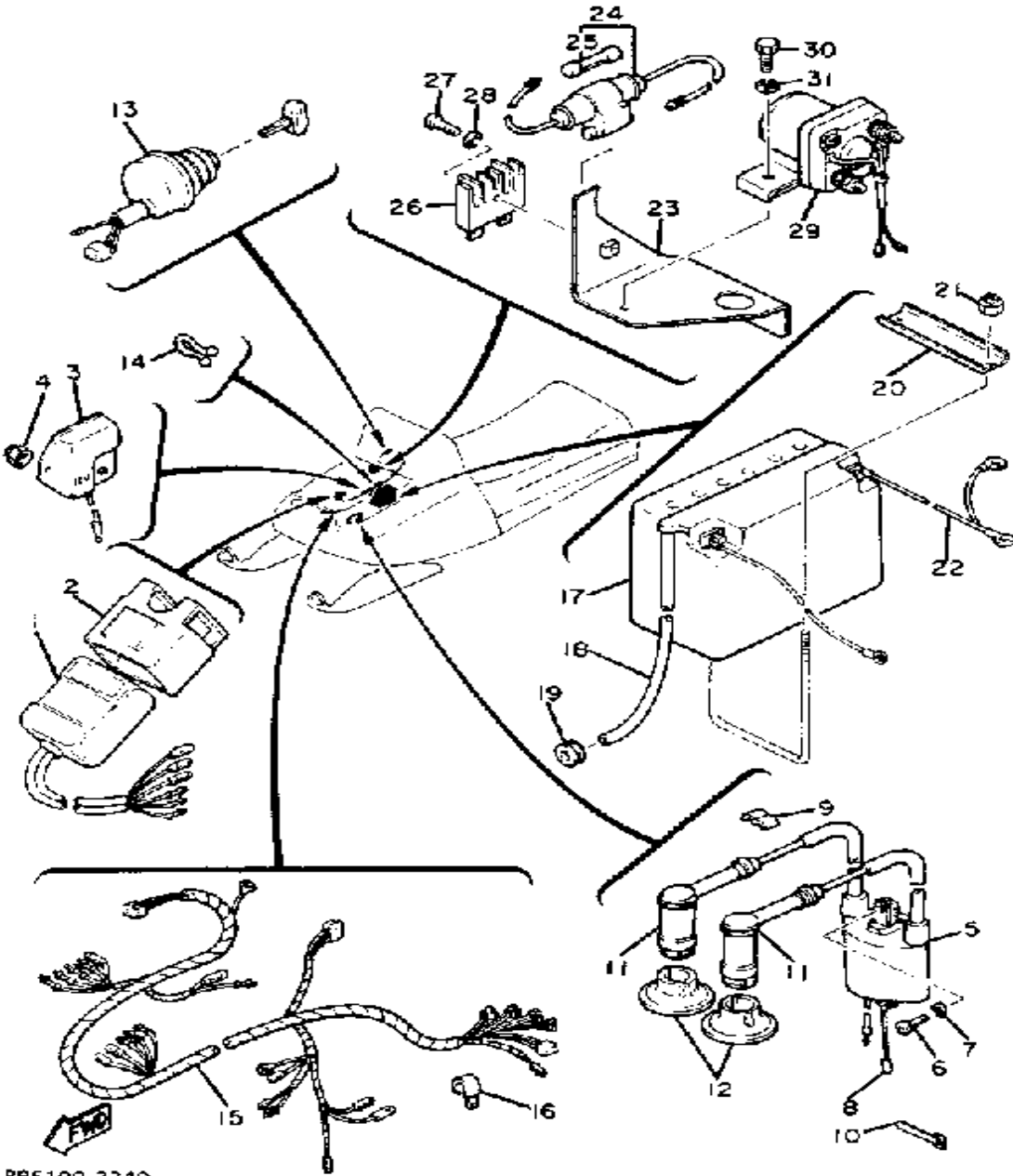
8R5100-2340

Ref. No.	Part Number	Description	Qty	Remarks
1	8N4-85540-20-00	CDI UNIT ASSEMBLY	1	
2	2A7-85546-00-00	BAND	1	
3	82F-81910-A0-00	VOLTAGE REGULATOR ASSEMBLY	1	
4	95701-06300-00	NUT, NYLON	2	
5	8E7-82310-11-00	IGNITION COIL ASSEMBLY	1	
6	98580-06020-00	SCREW	2	
7	92995-06100-00	WASHER, SPRING	2	
8	J42-82318-00-00	WIRE, SUB-LEAD	1	
9	861-82361-00-00	CLAMP, CORD	1	
10	J45-83936-00-00	BAND, SWITCH CORD	1	
11	8J0-82370-10-00	PLUG CAP ASSEMBLY	2	
12	8G8-82372-00-00	SEAL, PLUG CAP	2	
13	8J9-82508-20-00	MAIN SWITCH ASSEMBLY	1	
14	90464-16039-00	CLAMP	1	
15	8R5-82590-20-00	WIRE HARNESS ASSEMBLY	1	
16	90465-08028-00	CLAMP	2	
17	BTY-YB14L-A2-00	BATTERY ASSEMBLY (YB14L-A2)	1	
18	90445-08417-00	HOSE	1	
19	90480-12013-00	GROMMET	1	
20	8J4-82136-00-00	PLATE, BATTERY FITTING	1	
21	95701-06300-00	NUT, NYLON	2	
22	8J4-82115-01-00	WIRE, PLUS LEAD	1	
23	(8J4-81975-01-00)	PLATE, RECTIFR FTNG	1	
24	2J2-82150-10-00	FUSE HOLDER ASSEMBLY	1	
25	682-82151-00-00	. FUSE (20A)	2	
26	1Y8-81970-60-00	RECTIFIER ASSEMBLY	1	
27	98580-06020-00	SCREW	1	

CONTINUED ON NEXT FRAME ►

Property of www.SmallEngineDiscount.com - Not for Resale

ELECTRICAL 1

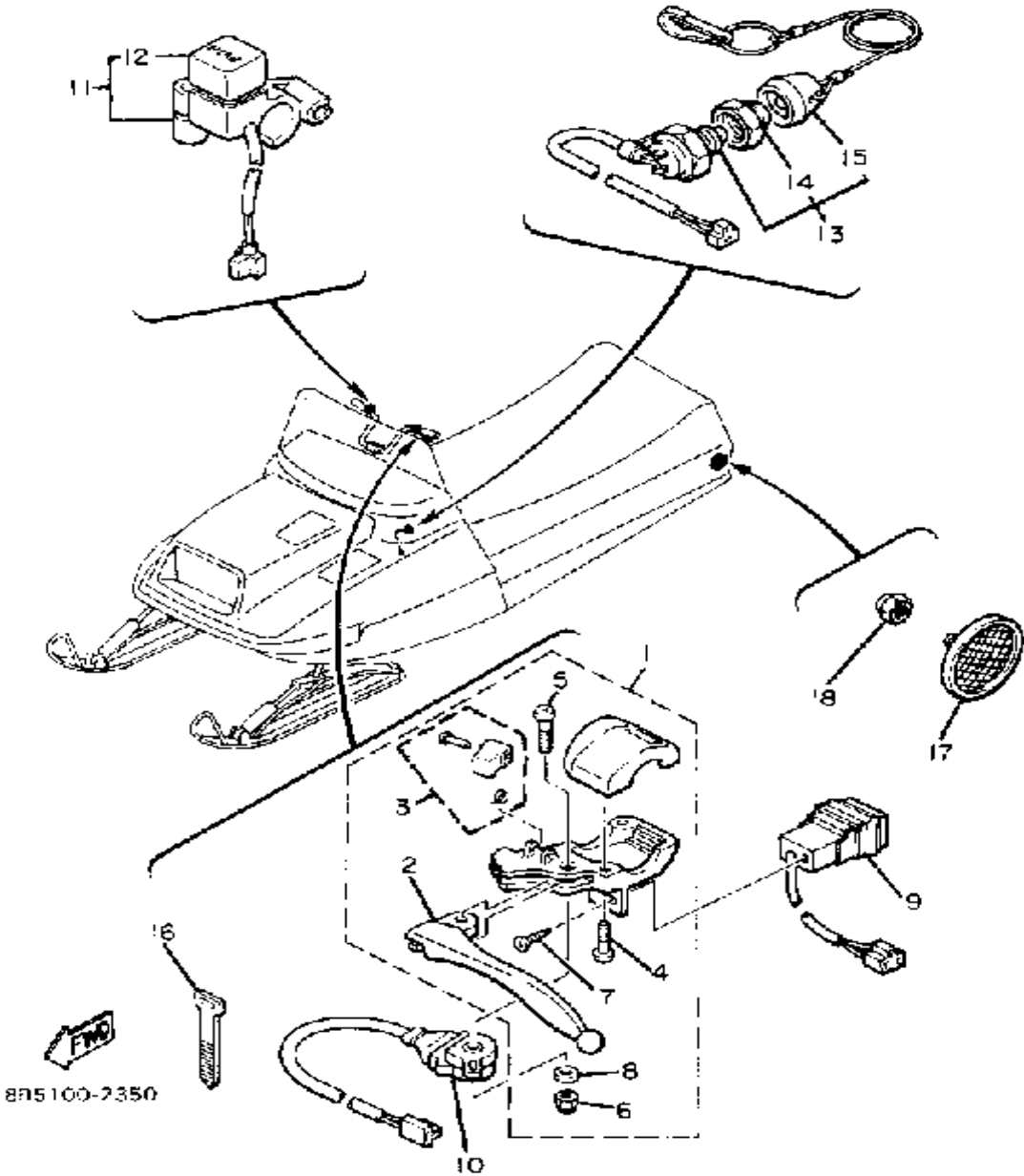


8R5100-2340

Ref. No.	Part Number	Description	Qty	Remarks
28	92995-06100-00	WASHER, SPRING	1	
29	8J9-81940-10-00	STARTER RELAY ASSEMBLY .	1	
30	97013-06012-00	BOLT	1	
31	92995-06100-00	WASHER, SPRING	1	

Property of www.SmallEngineDiscount.com - Not for Resale

ELECTRICAL 2

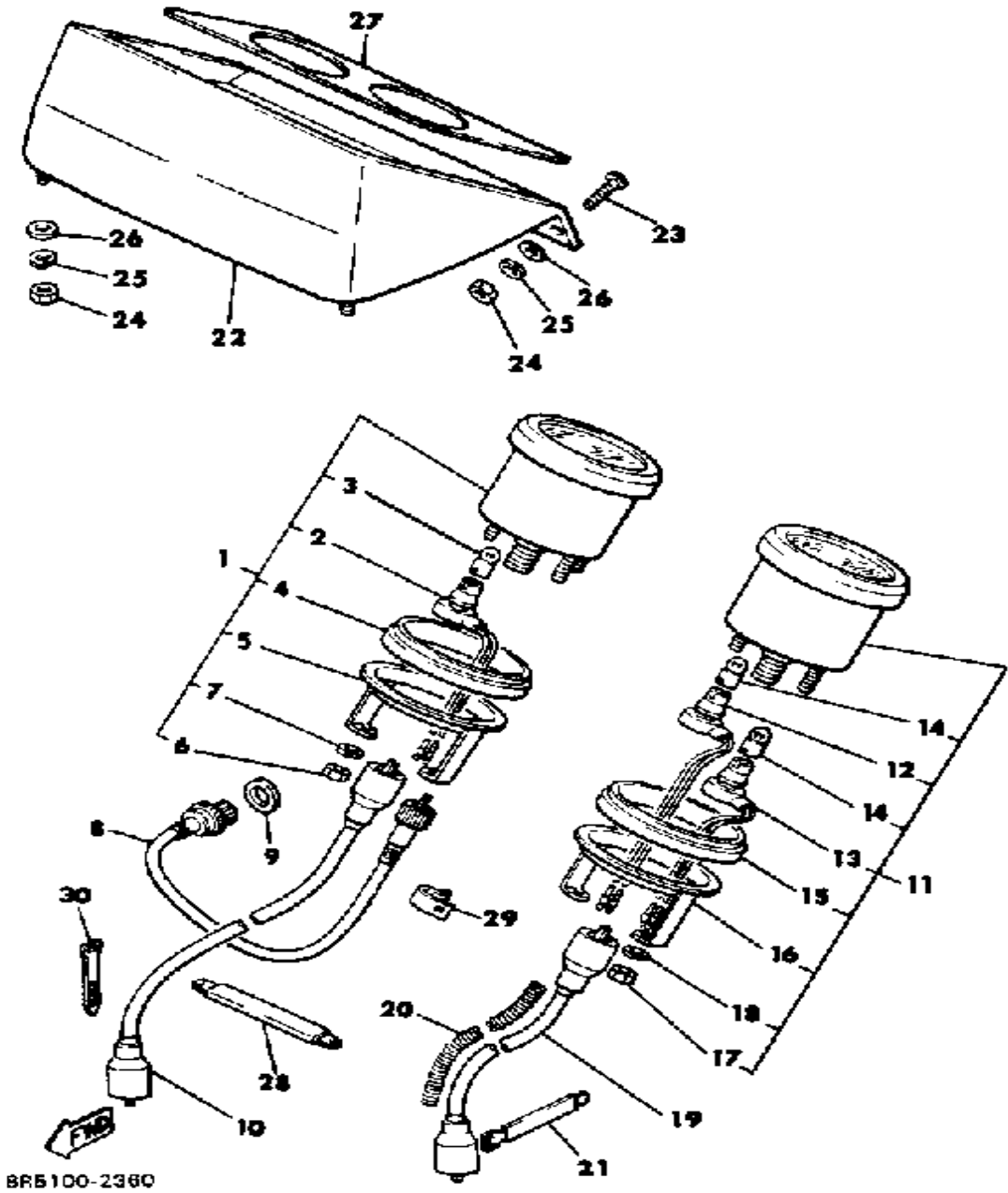


Ref. No.	Part Number	Description	Qty	Remarks
1	8E3-W8291-01-00	LEVER HOLDER ASSEMBLY (LEFT)	1	
2	803-83912-00-38	. LEVER 1	1	CLEAR BUFFING
3	8E3-83930-00-00	. LEVER LOCK ASSEMBLY	1	
4	98501-05018-00	. SCREW, PAN HEAD	2	
5	98580-05540-00	. SCREW, PAN HEAD	1	
6	95701-05300-00	. NUT, NYLON	1	
7	97780-30312-00	. SCREW, tapping	1	
8	92990-05200-00	. WASHER, PLAIN	1	
9	8H8-83950-01-00	BEAM SWITCH ASSEMBLY (8K4-83950-01-00)	1	
10	8R4-82530-00-00	STOP SWITCH ASSEMBLY	1	
11	8E3-83976-01-00	SWITCH, HANDLE 1	1	
12	8E3-83956-01-00	. CAP 1	1	
13	8H8-82550-01-00	ENGINE STOP SWITCH ASSEMBLY	1	
14	8H8-82557-00-00	. NUT	1	
15	8H8-82552-09-00	. CAP, SWITCH	1	
16	437-83936-01-00	BAND, SWITCH CORD	4	
17	449-85131-02-00	REFLECTOR, REAR 1	2	
18	95701-05300-00	NUT, NYLON	2	

Property of www.SmallEngineDiscount.com - Not for Resale

SPEEDOMETER - TACHOMETER

Ref. No.	Part Number	Description	Qty	Remarks
1	87R-83510-40-00	SPEEDOMETER ASSEMBLY (MILE/H)	1	MILE/H
2	(861-83536-40-00)	SOCKET, METER	1	
3	123-83516-21-00	. BULB (12V-3.4W)	1	
4	8G6-83523-00-00	. DAMPER	1	
5	(8K1-83519-00-00)	BRACKET, METER	1	
6	95380-05600-00	. NUT	2	
7	92990-05100-00	. WASHER, SPRING	2	
8	8K1-83603-01-00	TRIP METER CABLE ASSEMBLY	1	
9	90202-14122-00	WASHER, PLATE	1	
10	8F3-83550-01-00	SPEEDOMETER CABLE	1	
11	8R5-83540-00-00	TACHOMETER ASSEMBLY	1	
12	(8L6-83536-00-00)	SOCKET, METER	1	
13	(861-83536-40-00)	SOCKET, METER	1	
14	123-83516-21-00	. BULB (12V-3.4W)	2	
15	8G6-83523-00-00	. DAMPER	1	
16	8G6-83519-00-00	. BRACKET, METER	1	
17	95380-05600-00	. NUT	2	
18	92990-05100-00	. WASHER, SPRING	2	
19	8G6-83560-01-00	TACHOMETER CABLE	1	
20	(8L6-83557-00-00)	SOCKET, OIL	1	
21	341-26397-01-00	BAND	1	
22	8G5-83611-00-00	PANEL, METER	1	
23	98906-05020-00	SCREW, BIND	2	
24	95380-05600-00	NUT	4	
25	92990-05100-00	WASHER, SPRING	4	
26	92990-05200-00	WASHER, PLAIN	4	
27	8L6-83612-00-00	COVER, METER PANEL	1	

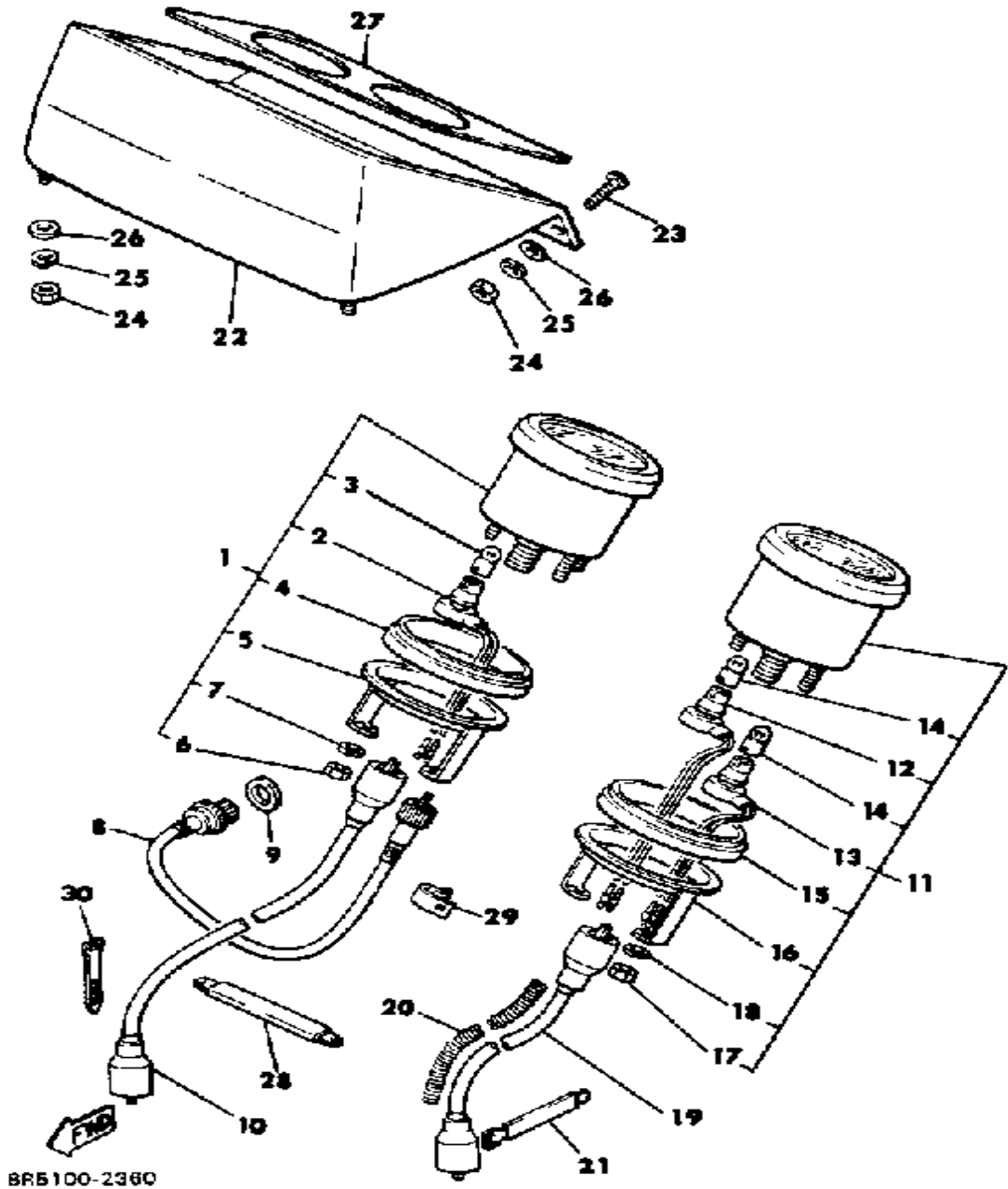


CONTINUED ON NEXT FRAME ►

Property of www.SmallEngineDiscount.com - Not for Resale

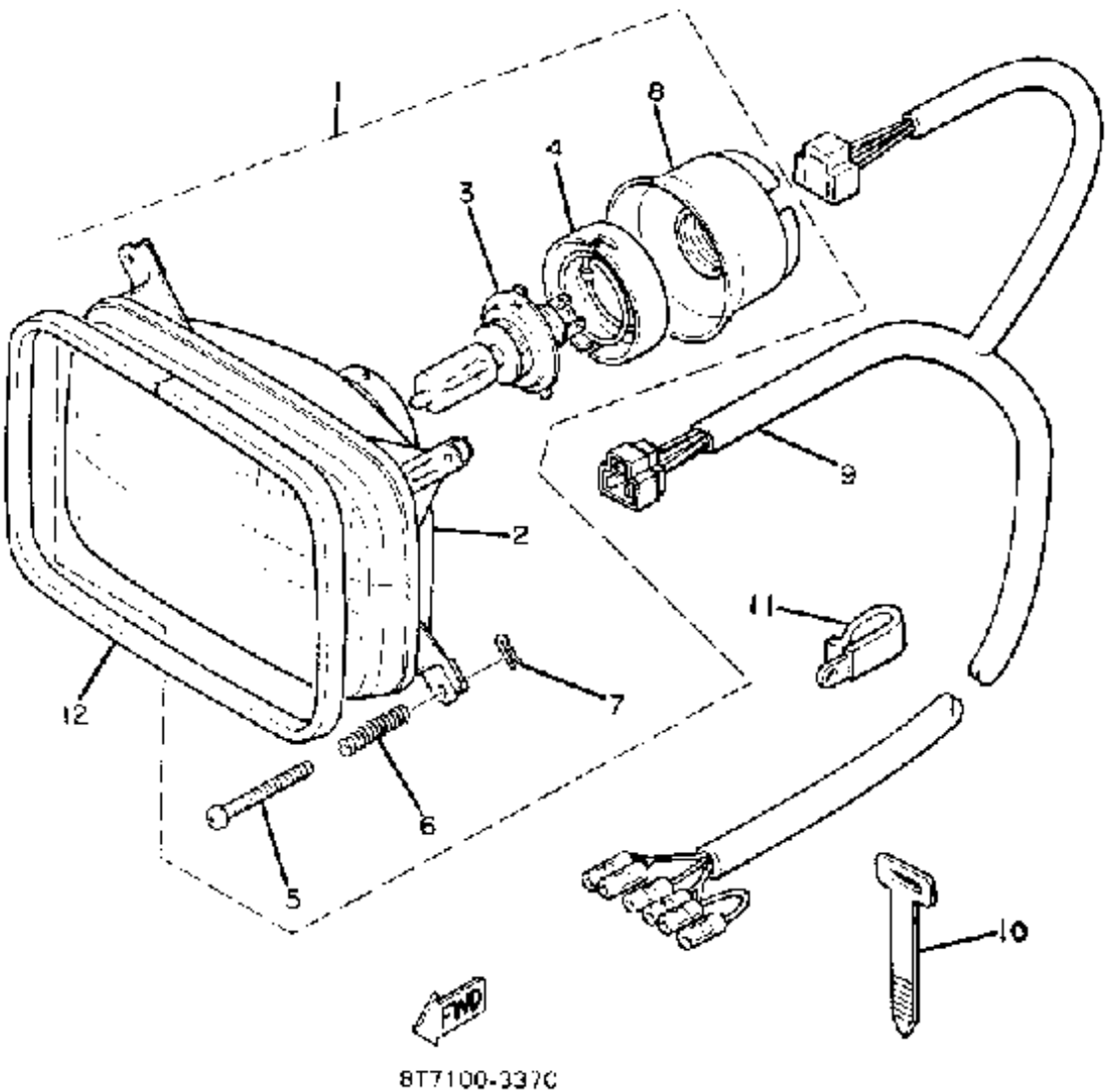
SPEEDOMETER - TACHOMETER

Ref. No.	Part Number	Description	Qty	Remarks
28	90465-05128-00	CLAMP	1	
29	90465-06013-00	CLAMP	2	
30	25G-83936-01-00	BAND, SWITCH CORD	1	



Property of www.SmallEngineDiscount.com - Not for Resale

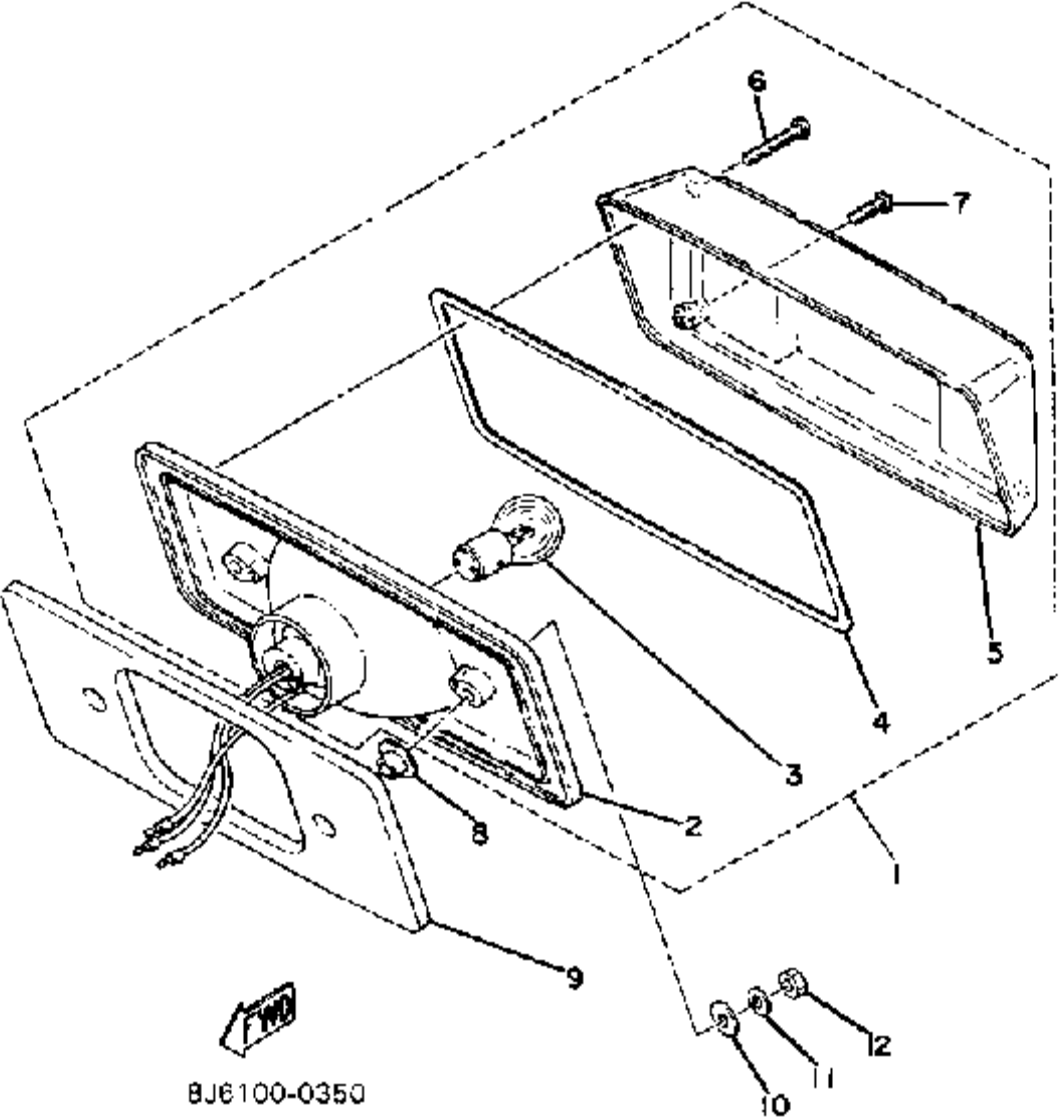
HEADLIGHT



Ref. No.	Part Number	Description	Qty	Remarks
1	8A7-84310-81-00	HEADLIGHT UNIT ASSEMBLY	1	
2	8A7-84320-00-00	. LENS ASSEMBLY	1	
3	8A7-84314-00-00	. BULB (12V-60/60W)	1	
4	8A7-84312-00-00	. HOLDER, SOCKET	1	
5	8M6-84331-00-00	. SCREW, RIM ADJUSTING (8A5-84331-00-00)	4	
6	8A5-84332-00-00	. SPRING, SCREW	4	
7	8K4-84374-00-00	. CLIP	4	
8	8A7-84397-01-00	. COVER, SOCKET	1	
9	8L6-84359-00-00	CORD, HEADLIGHT	1	
10	437-83936-01-00	BAND, SWITCH CORD	1	
11	90465-06038-00	CLAMP	1	
12	8T7-84366-00-00	DAMPER, HEADLIGHT 1	1	

Property of www.SmallEngineDiscount.com - Not for Resale

TAILLIGHT



Ref. No.	Part Number	Description	Qty	Remarks
1	8A1-84710-00-00	TAILLIGHT UNIT ASSEMBLY ..	1	
2	8A1-84710-00-00	. TAILLIGHT UNIT ASSEMBLY .	1	
3	137-84714-61-00	. BULB, TL 12V23/8W (J50-83311-00)	1	
4	821-84712-00-00	. SEAT, BASE	1	
5	821-84721-00-00	. LENS, TAILLIGHT	1	
6	98511-04030-00	. SCREW, PAN HEAD	2	
7	98503-04014-00	. SCREW, PAN HEAD	2	
8	90387-06648-00	COLLAR	2	
9	878-84753-00-00	DAMPER	1	
10	92901-06600-00	WASHER	2	
11	92995-06100-00	WASHER, SPRING	2	
12	95380-06600-00	NUT	2	

Property of www.SmallEngineDiscount.com - Not for Resale

EC340G

1983 SERVICE/HIGH ALTITUDE TUNING DATA

MODEL - IBM I.D. NUMBER	EC340G	877
Starting Engine Number / Frame Number	E338-121101 / 877-121101	

ENGINE - Type / Induction System	2-Stroke, Forced Air-cooled/Piston Port
Bore / Stroke / Number Cylinders / Displacement	60mm / 59.6mm / 2 / 338cc
Compression Ratio	6.5:1
Piston Skirt Clearance New / Max	0.040 ~ 0.045mm / 0.1mm
Ring End Gap Top / 2nd	0.35 ~ 0.55mm / 0.35 ~ 0.55mm
Ring Groove Clearance Top / 2nd	0.02 ~ 0.06mm / 0.02 ~ 0.06mm
Coolant Type / Mixing Ratio	∅ / ∅

CARBURETOR - Mfr. Type / Size / Qty. / I.D. Number	Mikuni - B38-34 / 38-34mm / 1 / 8J600
Main Jet / Main Air Jet	240 / ∅
Slow Jet / Slow Air Jet / Air Screw	∅ / ∅ / ∅
Pilot Jet / Pilot Screw	75 / 1.0 Turns Out
Needle Jet/Jet Needle-Clip Position/Cutaway/Air Jet	∅ / ∅ / ∅ / ∅
Power Jet / Power Air Jet	∅ / ∅
Fuel Inlet Valve / Float Level	1.5 / 25 ± 1mm
Idle Speed	1700 rpm

AUTOLUBE - Pump Color / Control Rod Adjustment	White / 25 ± 1mm @ idle @ Pump Assembly
Pump Plunger Stroke Min / Max	0.20 ~ 0.25mm / 1.67 ~ 1.87mm
Output @ 200 Strokes Full Throttle / Idle	4.15 ~ 4.70cc / 0.50 ~ 0.63cc

DRIVE - Engagement rpm / Shift rpm	3000 rpm / 6600 rpm
Belt Length / Width / Wear Limit / IBM Number	1099mm / 31.6mm / 26mm / 820
Sheave Center-to-center / Offset	266 ± 2mm / 11 ± 1mm
Primary Spring Color / Length / Rate / Preload	Red / 79.4mm / 1.4 ± 0.1kg/mm / 25 kg
Secondary Spring Preload / Color	160° / None
Secondary Drive Teeth / Chain Free Play	13-22 / 10 ± 3mm
Track Width / Tension	15 in / 25 ~ 30mm @ 10 kg

CAPACITIES - Chain Case/Gear Case Cap. (Type)	400cc / ∅ (SAE 80W-90 API GL-4)
Fuel Tank Capacity / Type	22.7 Lit / Regular
Autolube Tank Capacity / Type	2.4 Lit / Yamalube 2

ELECTRICAL - Manufacturer / Type	Mitsubishi / CDI
Battery Model / Specific Gravity / Charge Rate	Yuasa Denchi YB-14L-A2 (12V14A) / 1.28 / 1.4A
Charging Coil Color Code / Resistance	Whi ~ Blk / 0.22Ω ± 10%
Headlight / Taillight / Meter Light Ratings	12V60-60W / 12V23-8W / 12V3.4W
Lighting Coil Color Code / Resistance / Output	Yel ~ Blk / 0.19Ω ± 10% / 12V100W
Ignition Coil Resistance Primary / Secondary	0.15Ω ± 10% / 3.5KΩ ± 20%
Source Coil Color Code / Resistance	Brn ~ Blk / 590Ω ± 10%
Pulser Coil Color Code / Resistance	Whi-Red ~ Blk / 15.1Ω ± 10%
Spark Plug Type / Gap / Torque	NGK BR9ES / 0.8mm / 2.7 m·kg
Ignition Timing	1.6mm ± 0.1mm

∅ = Does Not Apply To This Model NA = Information Not Available

SERVICE COPY	SER MGR	MECH	MECH	MECH	BINDER
OFFICE COPY	GEN MGR	SALES	PARTS	BINDER	PAGE 1 OF 2

EC340G 1983 HIGH ALTITUDE SPECIFICATIONS

	STANDARD SETTING	HIGH ALTITUDE
Idle	1700 rpm	1700 rpm
Clutch Engagement	3000 rpm	3000 rpm
Shift speed	6300 ~ 6500 rpm	6000 ~ 6200 rpm
Main Jet	#240	See Setting Chart
Low Speed Mixture Screw	1.0 Turns Out	3/4 Turns Out
Reduction Ratio	13/22	11/23

NOTE: Remove all rivets from the clutch weights.

MAIN JET SETTING CHART

Elevation	Temperature					
	-30°C (-22°F)	-20°C (-4°F)	-10°C (14°F)	0°C (32°F)	10°C (50°F)	20°C (68°F)
Sea Level	← #240 →					
600m (2000 ft.)	#250 →	← #220 →				#220 ←
1200m (4000 ft.)	#240 →	← #220 →				#220 ←
1800m (6000 ft.)	#220 →	← #210 →				#210 ←
2400m (8000 ft.)	#210 →	← #200 →				#200 ←
3000m (10,000 ft.)	#200 →	← #190 →				#190 ←

ALTERNATE PARTS LIST

MAIN JET SIZE	PART NUMBER
#250	137-14143-50-00
#240	137-14143-48-00*
#230	137-14143-46-00
#220	137-14143-44-00
#210	137-14143-42-00
#200	137-14143-40-00
#190	137-14143-38-00

DRIVE GEAR	PART NUMBER
13 T	802-17682-40-00*
11 T	802-17682-20-00

DRIVEN GEAR	PART NUMBER
23 T	8G8-47548-30-00
22 T	8G8-47548-20-00*

*Standard

SERVICE LITERATURE

PUBLICATION	PART NUMBER	REMARKS
Owner's Manual	LIT-12628-00-45	Combined ET340TG Same as ET340EC Supp. to ET340B (00-11)
Service Manual	LIT-12618-00-45	
Assembly Manual	LIT-12668-00-21	

Property of www.SmallEngineDiscount.com - Not for Resale

EC340G 1983 HIGH ALTITUDE SPECIFICATIONS

	STANDARD SETTING	HIGH ALTITUDE
Idle	1700 rpm	1700 rpm
Clutch Engagement	3000 rpm	3000 rpm
Shift speed	6300 ~ 6500 rpm	6000 ~ 6200 rpm
Main Jet	#240	See Setting Chart
Low Speed Mixture Screw	1.0 Turns Out	3/4 Turns Out
Reduction Ratio	13/22	11/23

NOTE: Remove all rivets from the clutch weights.

MAIN JET SETTING CHART

Elevation	Temperature	-30°C	-20°C	-10°C	0°C	10°C	20°C
		(-22°F)	(-4°F)	(14°F)	(32°F)	(50°F)	(68°F)
Sea Level		← #240 →					← #220 →
600m (2000 ft.)		#250 →					← #220
1200m (4000 ft.)		#240 →					← #220
1800m (6000 ft.)		#220 →					← #210
2400m (8000 ft.)		#210 →					← #200
3000m (10,000 ft.)		#200 →					← #190

ALTERNATE PARTS LIST

MAIN JET SIZE	PART NUMBER
#250	137-14143-50-00
#240	137-14143-48-00*
#230	137-14143-46-00
#220	137-14143-44-00
#210	137-14143-42-00
#200	137-14143-40-00
#190	137-14143-38-00

DRIVE GEAR	PART NUMBER
13 T	802-17682-40-00*
11 T	802-17682-20-00

DRIVEN GEAR	PART NUMBER
23 T	8G8-47548-30-00
22 T	8G8-47548-20-00*

*Standard

SERVICE LITERATURE

PUBLICATION	PART NUMBER	REMARKS
Owner's Manual	LIT-12628-00-45	
Service Manual	LIT-12618-00-45	Combined ET340TG
Assembly Manual	LIT-12668-00-21	Same as ET340EC Supp. to ET340B (00-11)