



**YAMAHA**

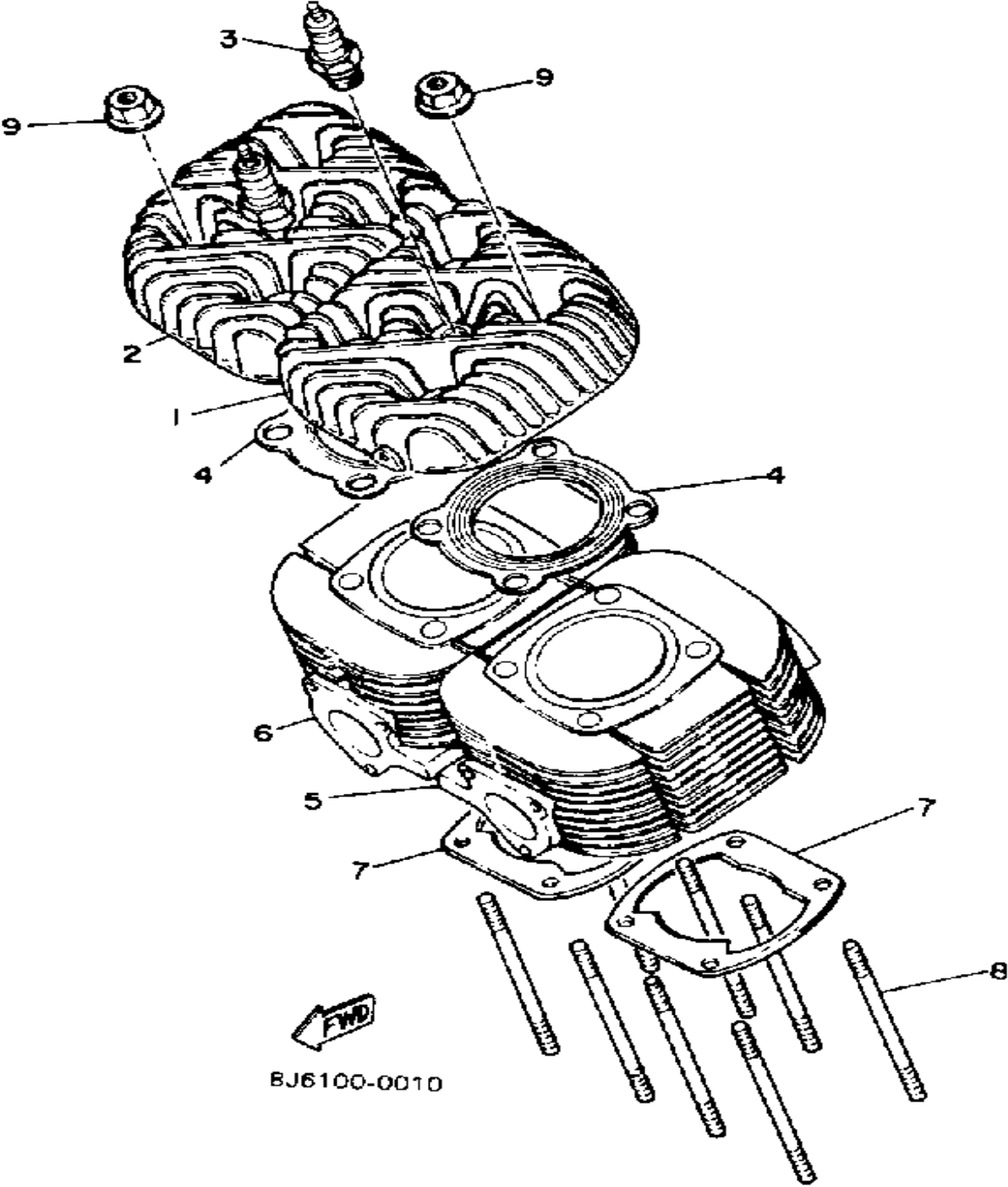
**GENUINE**

**PARTS CATALOGUE**

**SNOWMOBILE**

Property of [www.SmallEngineDiscount.com](http://www.SmallEngineDiscount.com) - Not for Resale

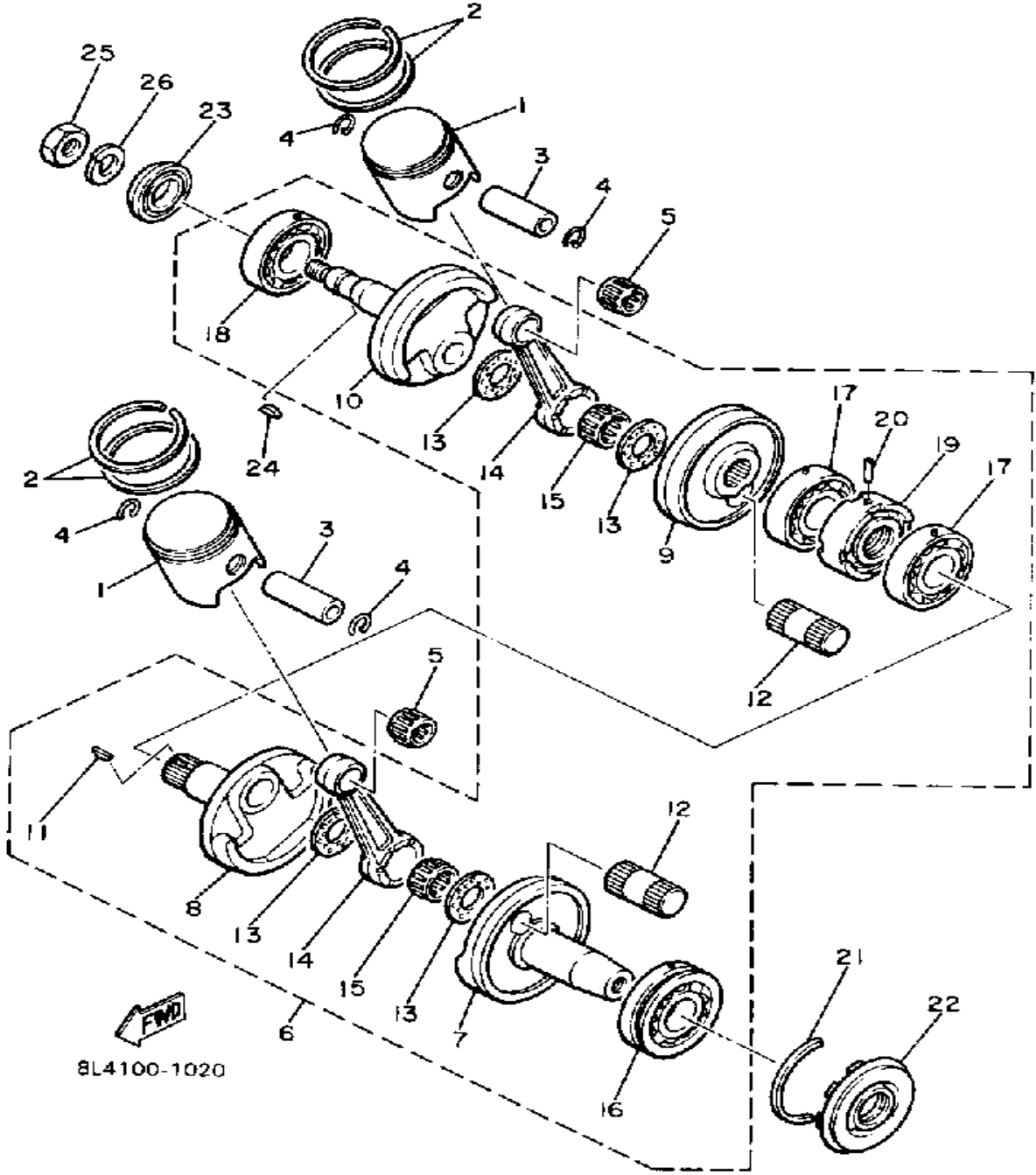
# CYLINDER



Ref. No.	Part Number	Description	Qty	Remarks
1	8G8-11111-00-00	HEAD, CYLINDER 1 .....	1	
2	8G8-11121-00-00	HEAD, CYLINDER 2 .....	1	
3	NGK-BR9ES-00-00	PLUG, SPARK .....	2	
4	8G8-11181-01-00	GASKET, CYLINDER HEAD 1 .	2	
5	8G8-11311-00-00	CYLINDER 1 .....	1	
6	8G8-11321-00-00	CYLINDER 2 .....	1	
7	846-11351-01-00	GASKET, CYLINDER .....	2	
8	90116-08107-00	BOLT, STUD .....	8	
9	95701-08500-00	NUT, FLANGE .....	8	

Property of [www.SmallEngineDiscount.com](http://www.SmallEngineDiscount.com) - Not for Resale

# CRANKSHAFT - PISTON

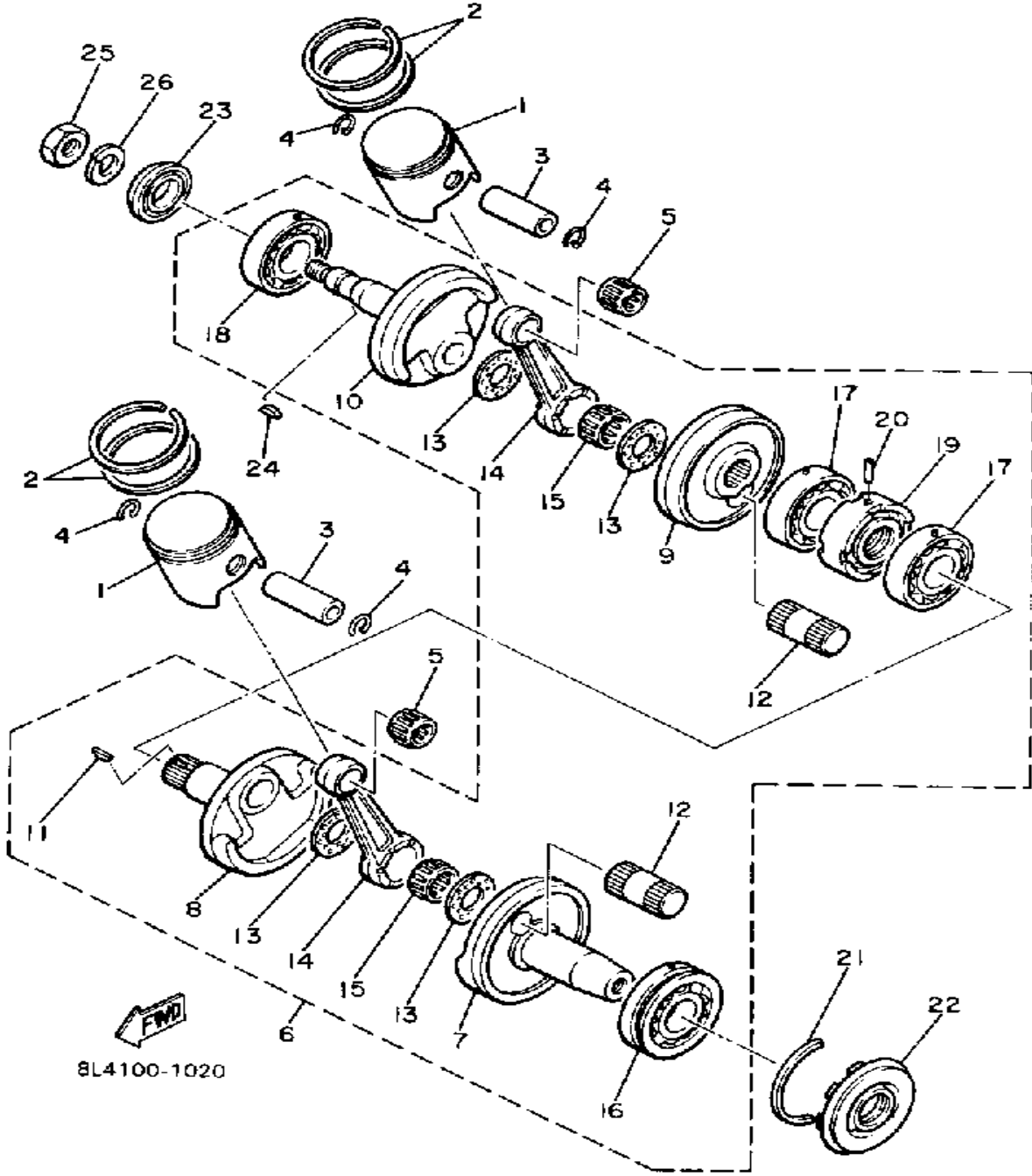


Ref. No.	Part Number	Description	Qty	Remarks
1	8G8-11631-01-96	PISTON STD. ....	2	UR
	8G8-11635-00-00	PISTON 1 O/S 0.5 ....	2	ALT. PART
	8G8-11636-00-00	PISTON 2 O/S 0.0 ....	2	ALT. PART
2	8G8-11601-00-00	PISTON RING SET (STD) ....	2	U.R. STD
	8G8-11601-10-00	PISTON RING SET (0.25MM O/S) ....	2	ALT. PART
	8G8-11601-20-00	PISTON RING SET (0.50MM O/S) ....	2	ALT. PART
3	137-11633-00-00	PIN, PISTON ....	2	
4	93450-17025-00	CIRCLIP ....	4	
5	93310-216E1-00	BEARING ....	2	
6	8L3-11400-00-00	CRANKSHAFT ASSEMBLY ...	1	
7	8G8-11412-01-00	. CRANK 1 ....	1	
8	8L3-11422-01-00	. CRANK 2 ....	1	
9	8L3-11432-01-00	. CRANK 3 ....	1	
10	8G8-11442-01-00	. CRANK 4 ....	1	
11	90280-05014-00	. KEY, WOODRUFF ....	1	
12	8G8-11681-00-00	. PIN, CRANK 1 ....	2	
13	90209-22248-00	. WASHER ....	4	
14	34X-11651-00-00	. ROD, CONNECTING ....	2	
15	93310-422L0-00	. BEARING ....	2	
16	93306-30618-00	. BEARING (B6306) ....	1	
17	93306-20617-00	. BEARING (B6206) ....	2	
18	93306-30564-00	. BEARING ....	1	
19	8L3-11515-01-00	. SEAL, LABYRINTH 1 ....	1	
20	91609-30010-00	. PIN, SPRING ....	1	
21	93440-72049-00	CIRCLIP ....	1	
22	93102-30184-00	OIL SEAL, SD-TYPE ....	1	
23	93102-25183-00	OIL SEAL ....	1	

CONTINUED ON NEXT FRAME ►

Property of [www.SmallEngineDiscount.com](http://www.SmallEngineDiscount.com) - Not for Resale

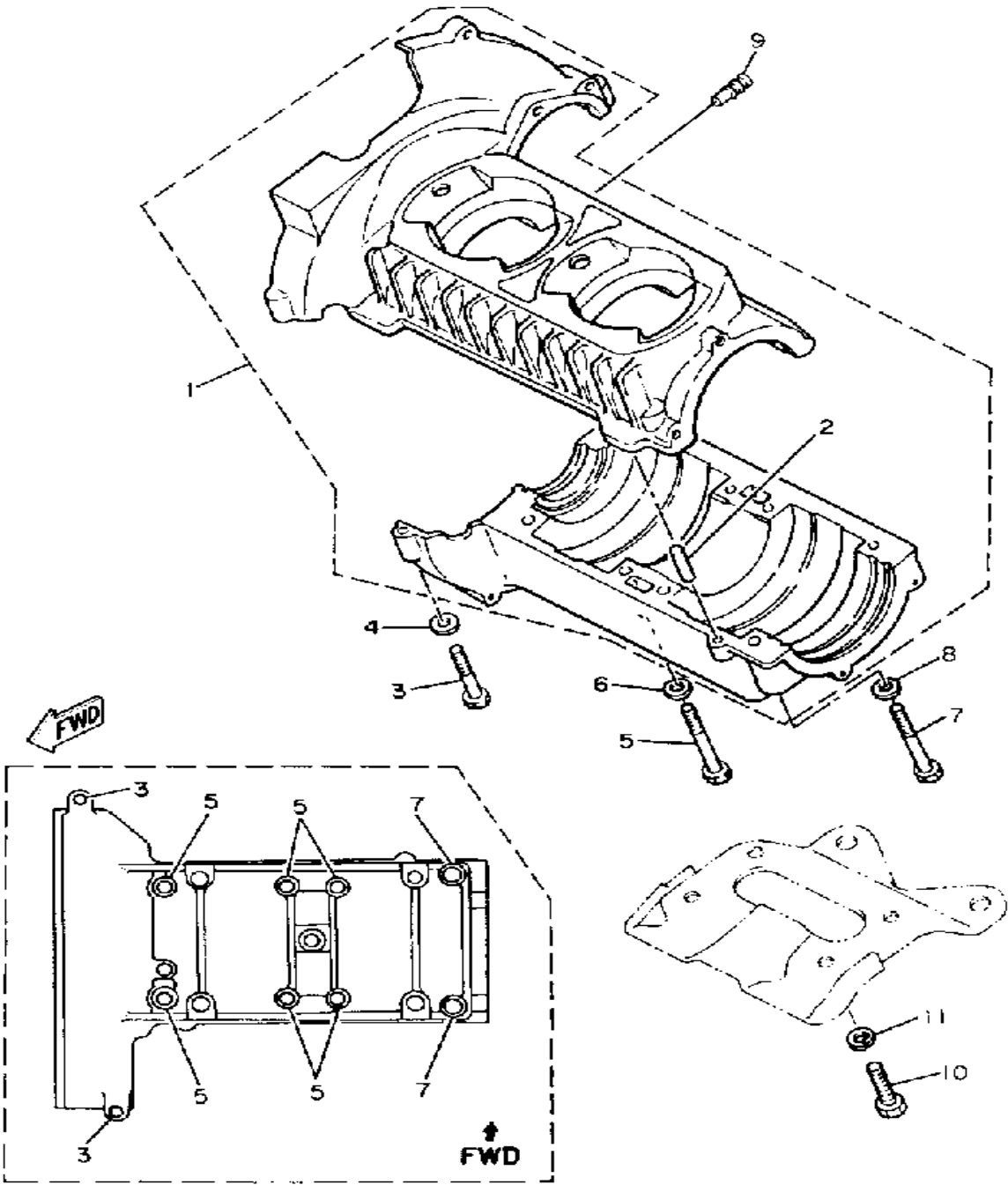
# CRANKSHAFT - PISTON



Ref. No.	Part Number	Description	Qty	Remarks
24	90280-16053-00	KEY, WOODRUFF .....	1	
25	90170-16182-00	NUT .....	1	
26	92901-16100-00	WASHER, SPRING .....	1	

Property of [www.SmallEngineDiscount.com](http://www.SmallEngineDiscount.com) - Not for Resale

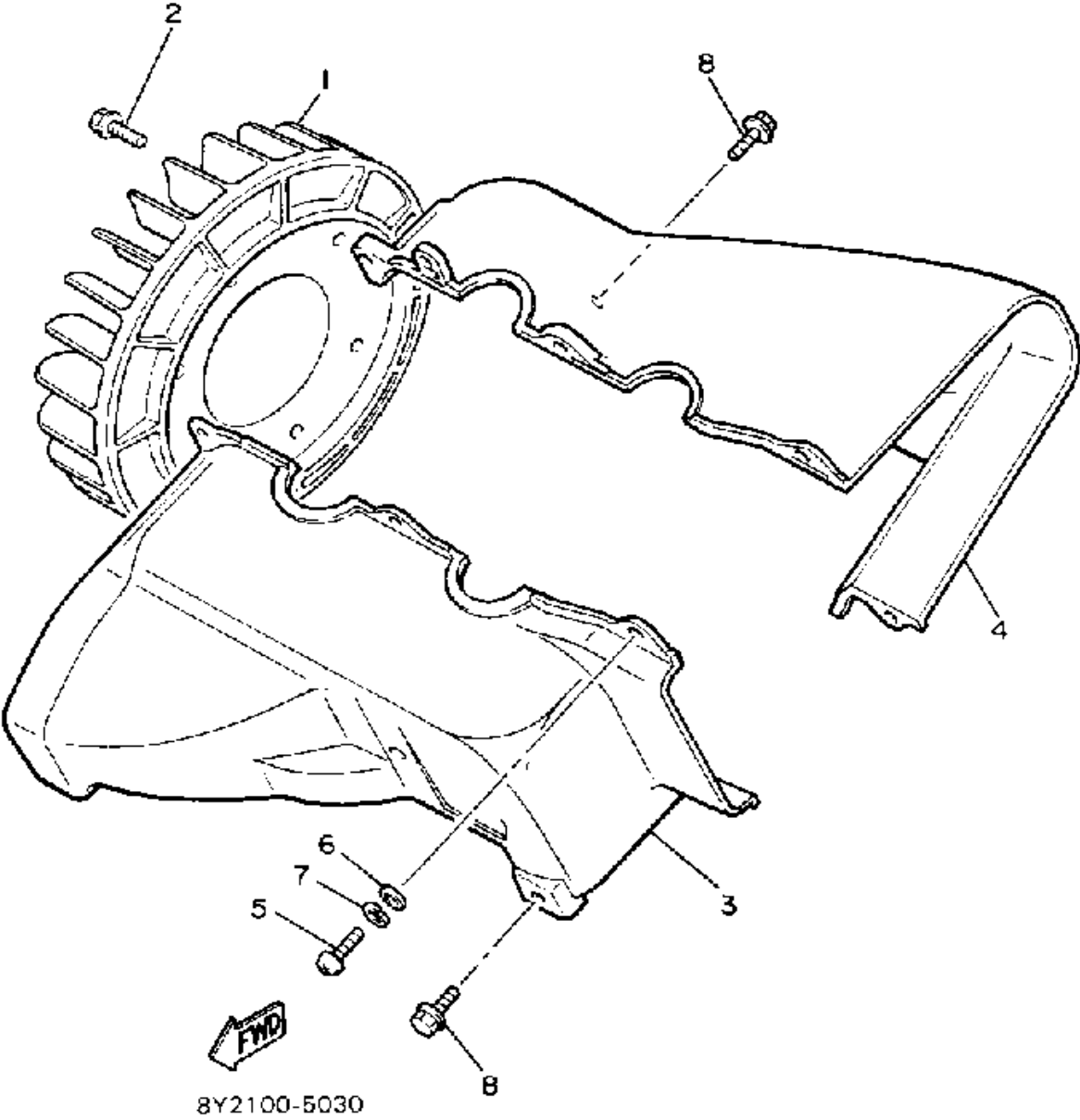
# CRANKCASE



Ref. No.	Part Number	Description	Qty	Remarks
1	8J9-15100-01-00	CRANKCASE ASSEMBLY	1	
2	93605-10108-00	. PIN, DOWEL	2	
3	97313-08040-00	BOLT, HEXAGON (97322-08040)	2	
4	92990-08600-00	WASHER, PLATE	2	
5	97013-08060-00	BOLT (663)	6	
6	92990-08600-00	WASHER, PLATE	6	
7	97021-08070-00	BOLT	2	
8	92990-08600-00	WASHER, PLATE	2	
9	8G8-24461-00-00	PIPE, JOINT	1	
10	90106-10034-00	BOLT, DOME HEAD	4	
11	92990-10100-00	WASHER, SPRING	4	

Property of [www.SmallEngineDiscount.com](http://www.SmallEngineDiscount.com) - Not for Resale

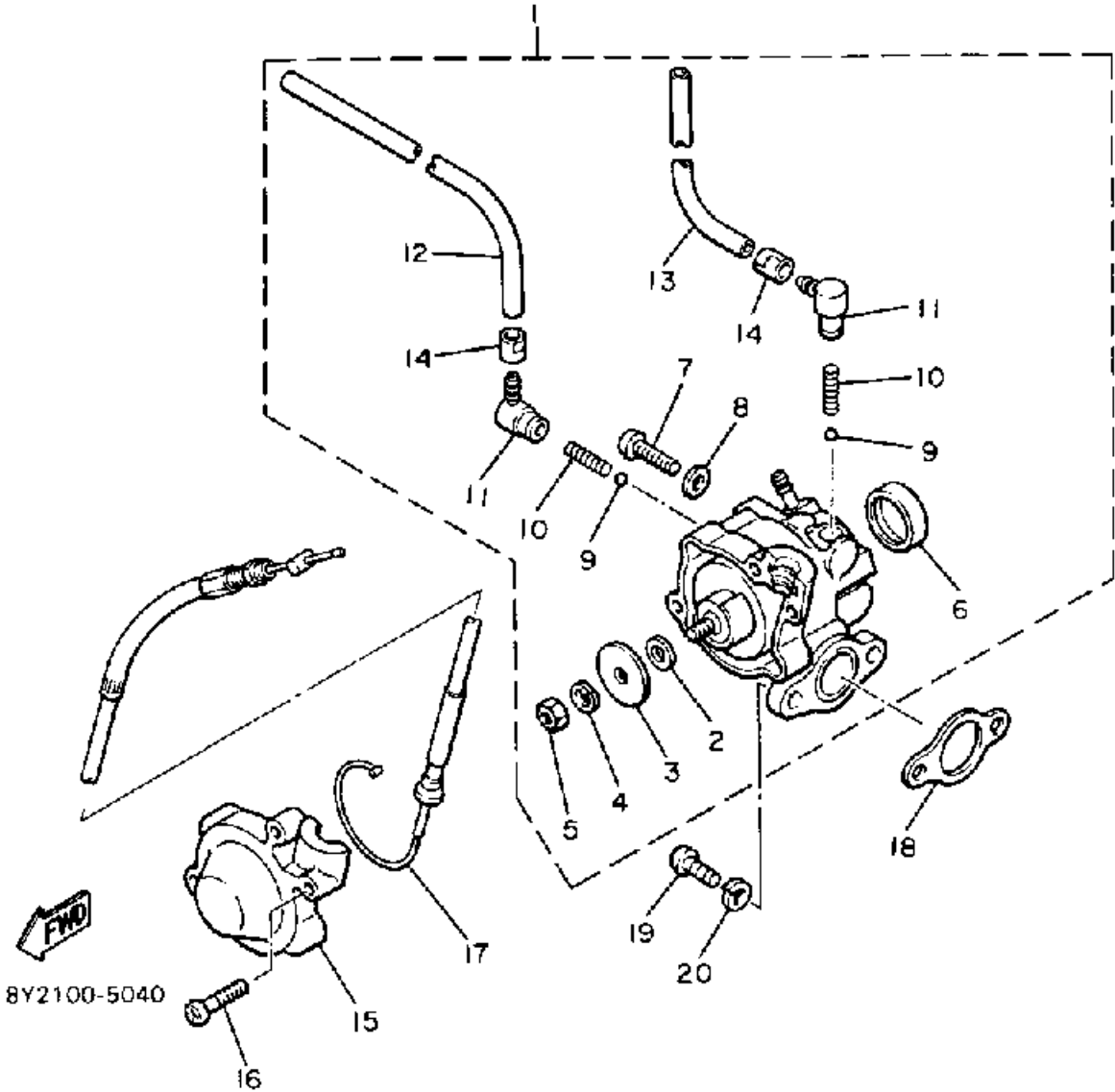
# AIR SHROUD - FAN



Ref. No.	Part Number	Description	Qty	Remarks
1	8G8-12611-01-00	FAN .....	1	
2	95811-06012-00	BOLT, FLANGE .....	6	
3	8W6-12651-00-00	AIR SHROUD, CYLINDER 1CYLINDER 1 .....	1	
4	8W6-12652-00-00	AIR SHROUD, CYLINDER 2CYLINDER 2 .....	1	
5	98506-06016-00	SCREW, PANHEAD .....	4	
6	92906-06600-00	WASHER .....	4	
7	92906-06100-00	WASHER, SPRING .....	4	
8	90119-06108-00	BOLT, WITH WASHER .....	6	

Property of [www.SmallEngineDiscount.com](http://www.SmallEngineDiscount.com) - Not for Resale

# OIL PUMP

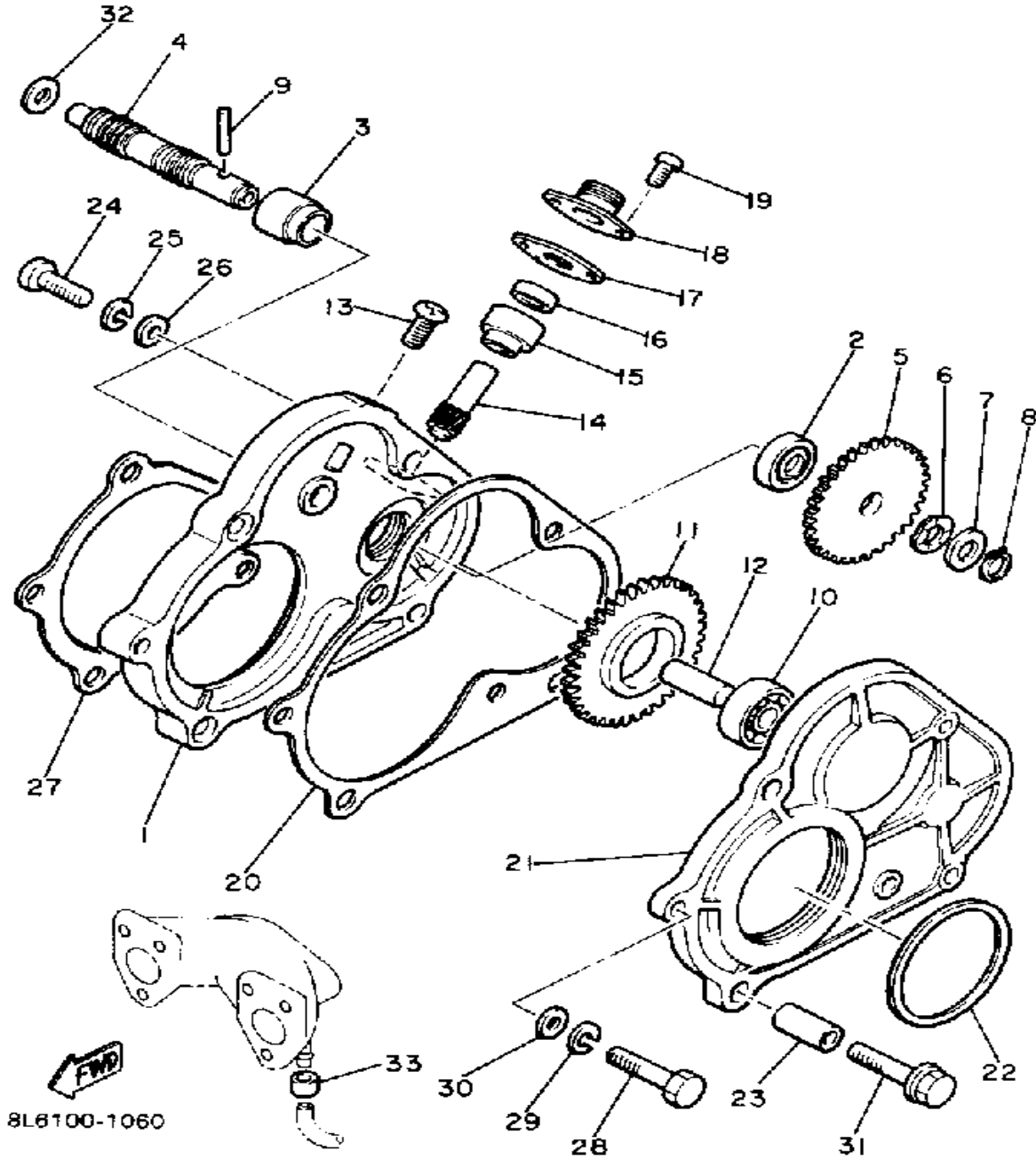


Ref. No.	Part Number	Description	Qty	Remarks
1	8W8-13101-00-00	OIL PUMP ASSEMBLY	1	
2	137-13137-00-03	. SHIM (0.3T)	1	U.R.
	137-13137-00-05	. SHIM (0.5T)	1	U.R.
	137-13137-00-10	. SHIM (1.0T)	1	U.R.
3	137-13138-01-00	. PLATE, ADJUSTING	1	
4	92990-05100-00	. WASHER, SPRING	1	
5	95380-05600-00	. NUT	1	
6	90338-21100-00	. PLUG	1	
7	98901-04008-00	. SCREW, BIND	1	
8	90430-04004-00	. GASKET	1	
9	93505-32002-00	. BALL	2	
10	90501-02018-00	. SPRING, COMPRESSION	2	
11	353-13552-01-00	. NOZZLE	2	
12	90446-08208-00	. HOSE	1	
13	90446-08209-00	. HOSE	1	
14	90468-02025-00	. CLIP	2	
15	8A5-13146-01-00	COVER, ADJUST PULLEY	1	
16	98506-04018-00	SCREW, PAN HEAD	3	
17	8G8-26320-02-00	PUMP CABLE ASSEMBLY	1	
18	3MT-13116-00-00	GASKET, PUMP CASE (8Y0-13116-00)	1	
19	98580-05016-00	SCREW, PAN HEAD	2	
20	92990-05100-00	WASHER, SPRING	2	

Property of [www.SmallEngineDiscount.com](http://www.SmallEngineDiscount.com) - Not for Resale



# PUMP DRIVE - GEAR



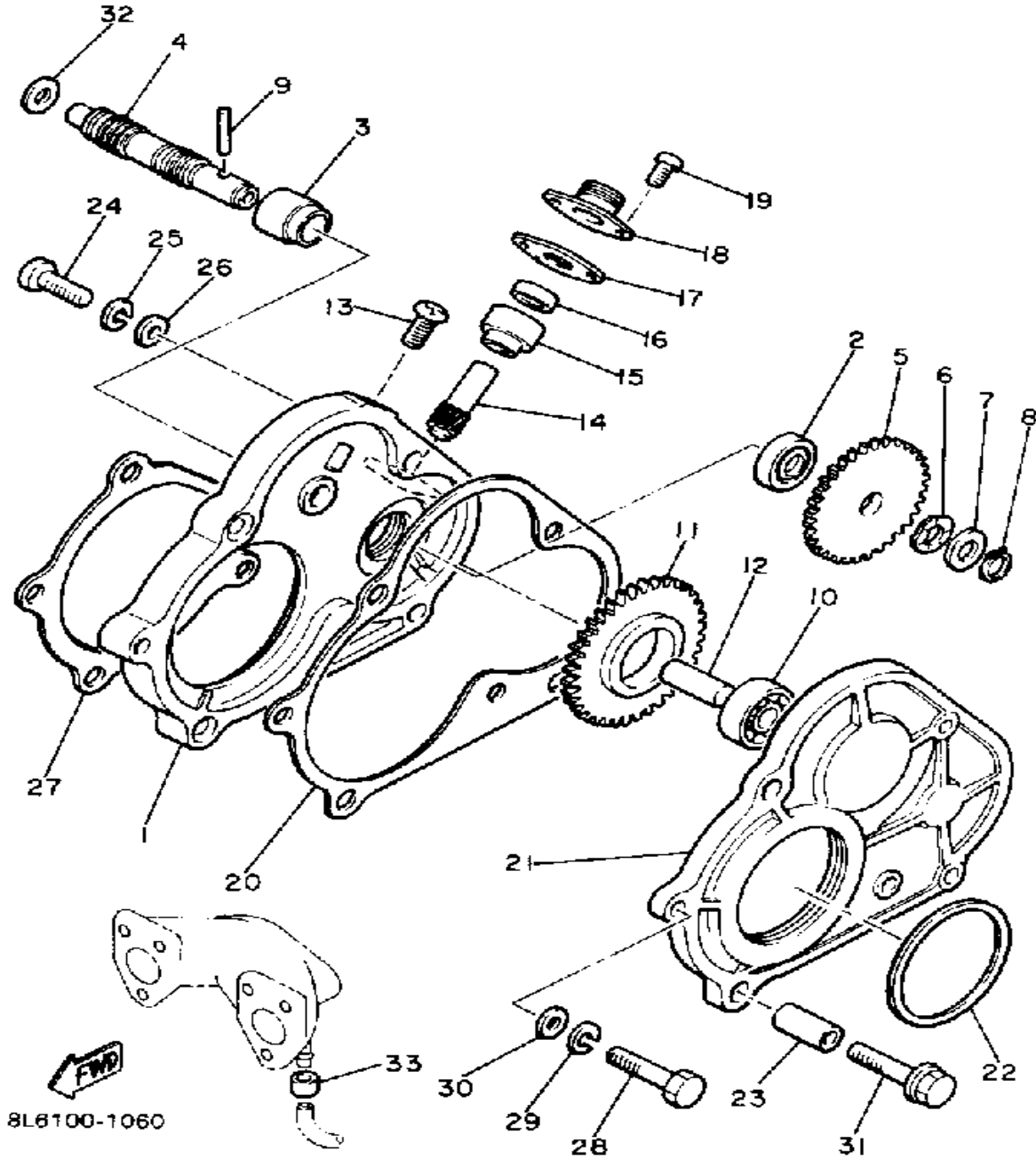
Ref. No.	Part Number	Description	Qty	Remarks
1	8G8-15416-00-00	COVER, OIL PUMP	1	
2	93101-10090-00	OIL SEAL	1	
3	821-13176-00-00	METAL, WORM SHAFT OUTER	1	
4	821-13175-00-00	SHAFT, WORM	1	
5	821-13188-00-00	GEAR, DRIVE (32T)	1	
6	90206-11016-00	WASHER, WAVE	1	
7	137-13148-00-00	PLATE, CAM THRUST	1	
8	99009-10400-00	CIRCLIP	1	
9	93603-22028-00	PIN, DOWEL	1	
10	93306-00002-00	BEARING (B6000RS)	1	
11	8G8-13179-00-00	GEAR, IDLE	1	
12	8G8-13342-00-00	SHAFT, IDLE GEAR	1	
13	98580-06012-00	SCREW, PAN HEAD	1	
14	813-17841-00-00	GEAR, DRIVEN (10T)	1	
15	821-17843-00-00	BUSH, DRIVEN GEAR OUTER	1	
16	93104-06033-00	OIL SEAL	1	
17	821-17818-02-00	GASKET	1	
18	821-17819-00-00	CAP, HOUSING	1	
19	98580-05010-00	SCREW, PAN HEAD	2	
20	8G8-15466-01-00	GASKET 2	1	
21	8G8-15426-00-00	COVER, OIL PUMP R	1	
22	93112-53004-00	OIL SEAL, SR-TYPE	1	
23	91810-18025-00	PIN, DOWEL	2	
24	98580-06020-00	SCREW	2	
25	92995-06100-00	WASHER, SPRING	2	
26	92990-06600-00	WASHER, PLATE	2	
27	8G8-15456-01-00	GASKET, O/P P CVR 1	1	
28	97021-06030-00	BOLT	2	
29	92995-06100-00	WASHER, SPRING	2	

CONTINUED ON NEXT FRAME ➤

Property of [www.SmallEngineDiscount.com](http://www.SmallEngineDiscount.com) - Not for Resale



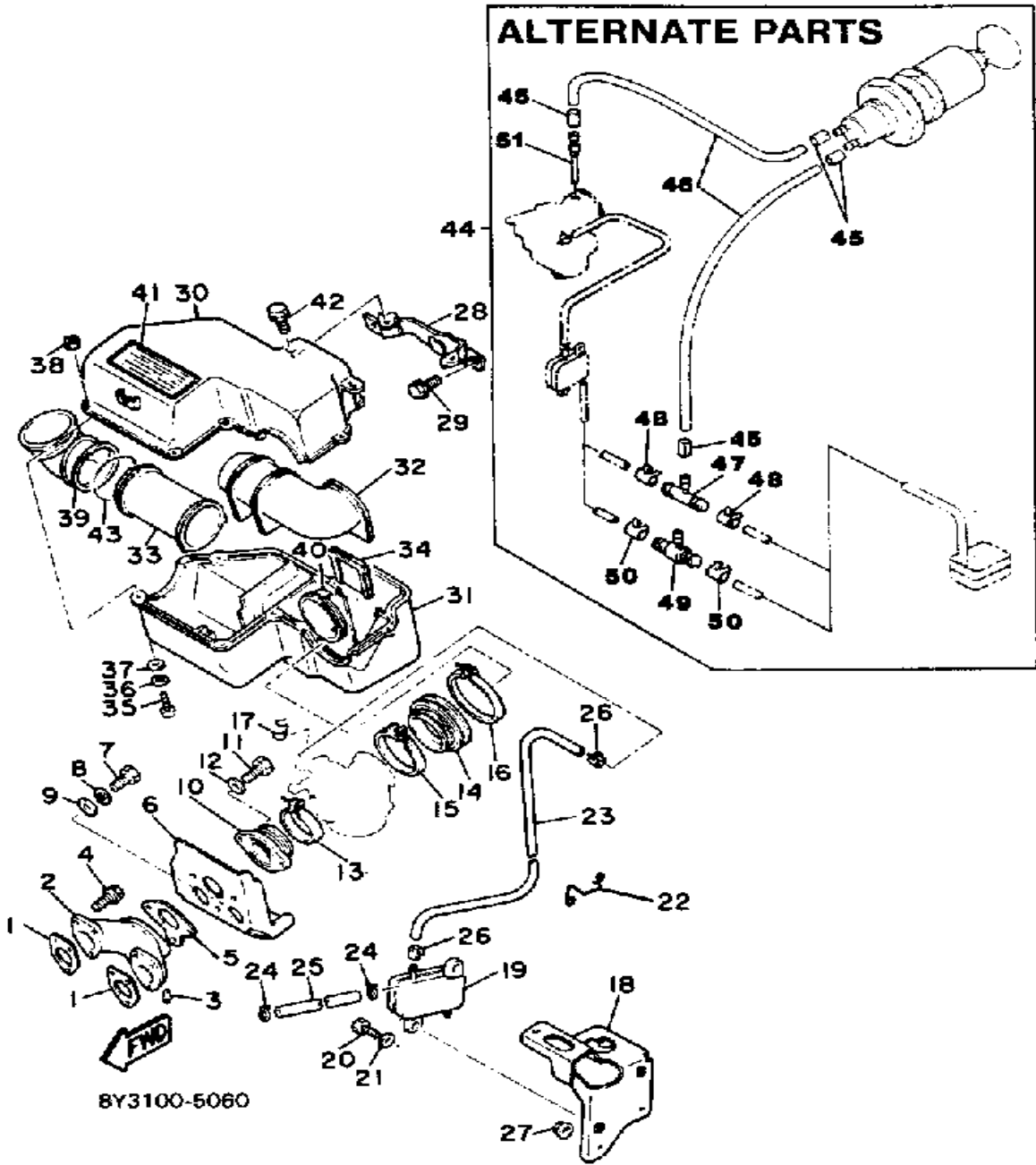
# PUMP DRIVE - GEAR



Ref. No.	Part Number	Description	Qty	Remarks
30	92990-06600-00	WASHER, PLATE .....	2	
31	95811-06035-00	BOLT, FLANGE .....	2	
32	90201-08624-00	WASHER, PLATE .....	1	
33	90468-02025-00	CLIP .....	2	

Property of [www.SmallEngineDiscount.com](http://www.SmallEngineDiscount.com) - Not for Resale

# AIR CLEANER

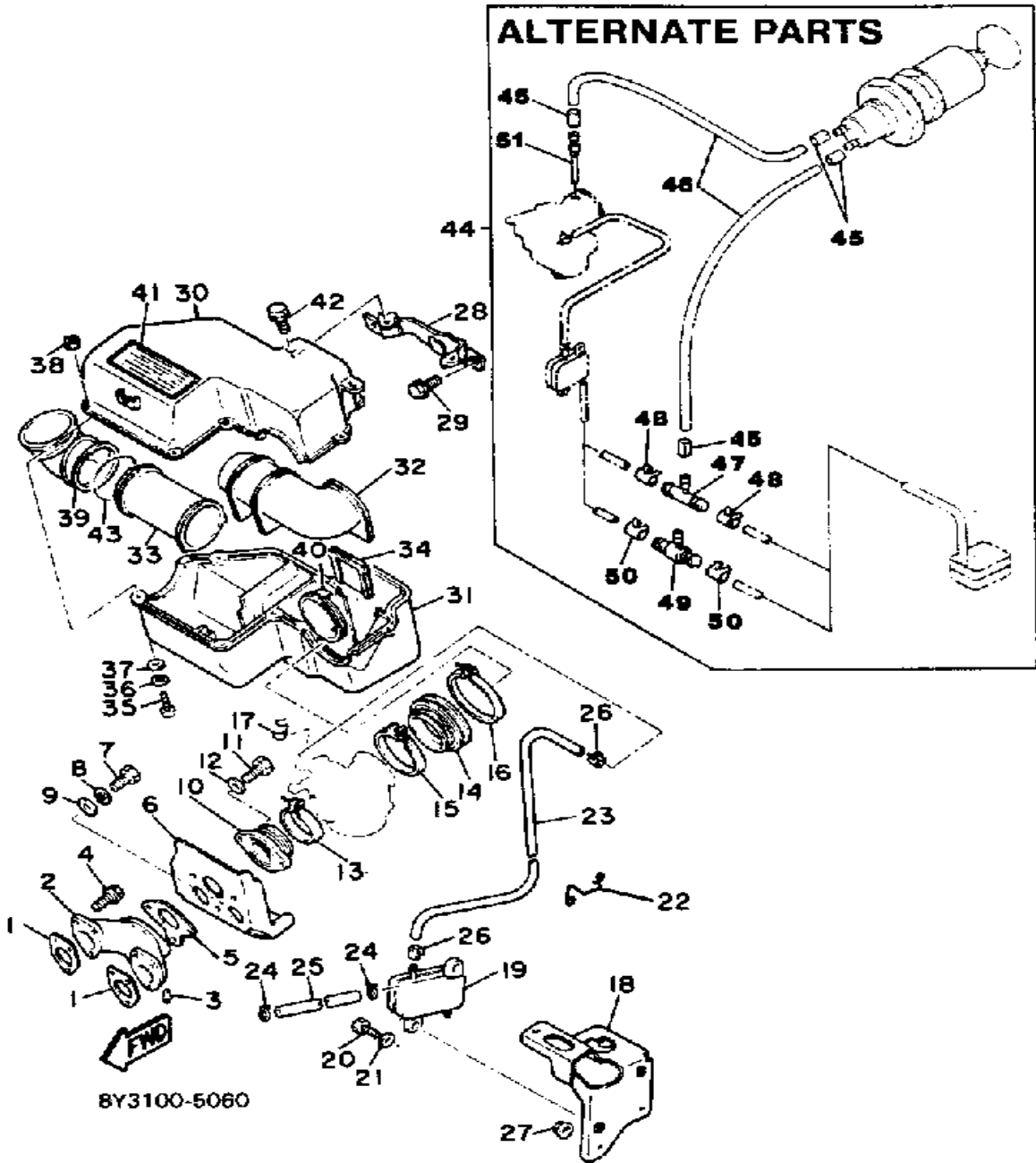


Ref. No.	Part Number	Description	Qty	Remarks
1	8Y2-13563-02-00	GASKET	2	
2	8G8-13565-00-00	JOINT, CARBURETOR	1	
3	824-13552-00-00	NOZZLE	2	
4	95811-06020-00	BOLT, FLANGE	6	
5	8Y2-13556-01-00	GASKET, MANIFOLD	1	
6	8H5-13567-00-00	GASKET	1	
7	97011-08016-00	BOLT	1	
8	92990-08100-00	WASHER	1	
9	90209-08150-00	WASHER, SPEC'L SHAP (90209-08097)	1	
10	8G8-13555-01-00	MANIFOLD, INTAKE	1	
11	97001-08025-00	BOLT (1NV)	2	
12	92990-08600-00	WASHER, PLATE	2	
13	86M-13575-00-00	BAND	1	
14	8G8-14453-01-00	JOINT, AIR CLNR 1	1	
15	90460-68230-00	CLAMP, HOSE	1	
16	90460-85277-00	CLAMP, HOSE	1	
17	90465-10033-00	CLAMP	1	
18	8G8-24491-00-00	BRACKET, FUEL PUMP	1	
19	8J6-24410-00-00	FUEL PUMP ASSEMBLY	1	
20	97313-06018-00	BOLT, HEXAGON	2	
21	92990-06600-00	WASHER, PLATE	2	
22	(90465-20153-00)	CLAMP	1	
23	91A20-05024-00	TUBE, FLEXIBLE VINYL	1	
24	90467-09006-00	CLIP	2	
25	90445-10140-00	HOSE	1	
26	90467-09026-00	CLIP	2	
27	95701-06500-00	NUT, FLANGE	2	
28	8G8-14498-00-00	STAY 1	1	

CONTINUED ON NEXT FRAME ►

Property of [www.SmallEngineDiscount.com](http://www.SmallEngineDiscount.com) - Not for Resale

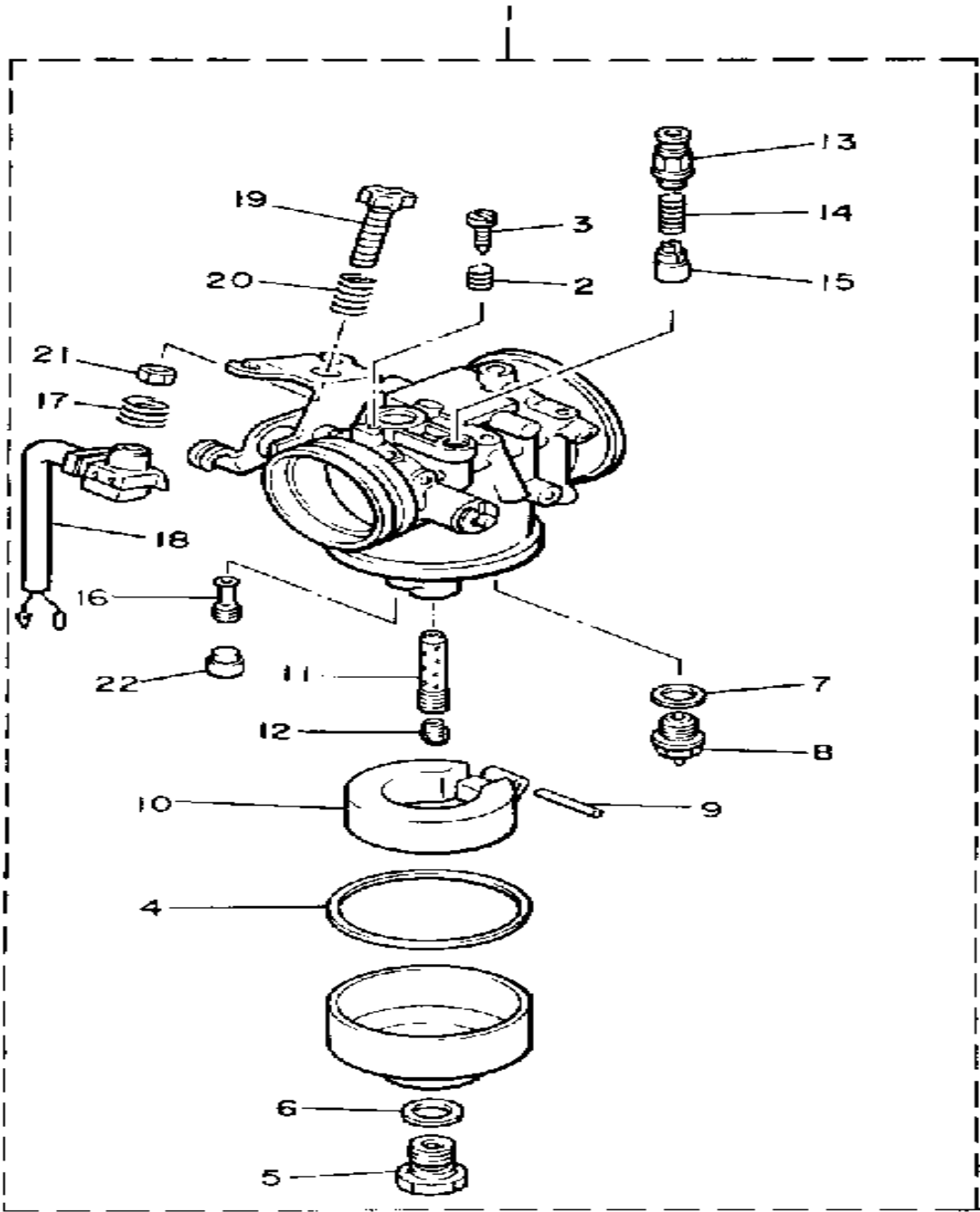
# AIR CLEANER



Ref. No.	Part Number	Description	Qty	Remarks
29	95811-06010-00	BOLT, FLANGE .....	2	
30	8G8-14431-00-00	SILENCER, INTAKE 1 .....	1	
31	8G8-14441-00-00	SILENCER, INTAKE 2 .....	1	
32	8G8-14419-00-00	PIPE .....	1	
33	8G8-14465-00-00	PIPE .....	1	
34	8G8-14477-00-00	PLATE .....	1	
35	98580-05020-00	SCREW, PAN HEAD .....	6	
36	92990-05100-00	WASHER, SPRING .....	6	
37	92901-05600-00	WASHER, PLATE .....	6	
38	95380-05600-00	NUT .....	6	
39	8N5-14423-00-00	PIPE, SUCTION 1 .....	1	
40	8G8-14466-01-00	PIPE .....	1	
41	8A5-14488-00-00	LABEL, CAUTION .....	1	
42	95821-06014-00	BOLT, FLANGE .....	3	
43	90506-06083-00	SPRING, TENSION .....	1	
44	8U0-W2431-00-00	PRIMER PUMP KIT .....	1	
45	90467-07055-00	. CLIP .....	4	ALT. PART
46	90446-08199-00	. HOSE .....	1	ALT. PART
47	815-24379-00-00	. PIPE, JOINT 4 .....	1	ALT. PART
48	90467-11009-00	. CLIP .....	2	ALT. PART
49	90413-05011-00	. WAY 3 .....	1	ALT. PART
50	90467-09026-00	. CLIP .....	2	ALT. PART
51	8U0-13552-00-00	. NOZZLE .....	1	ALT. PART

Property of [www.SmallEngineDiscount.com](http://www.SmallEngineDiscount.com) - Not for Resale

# CARBURETOR



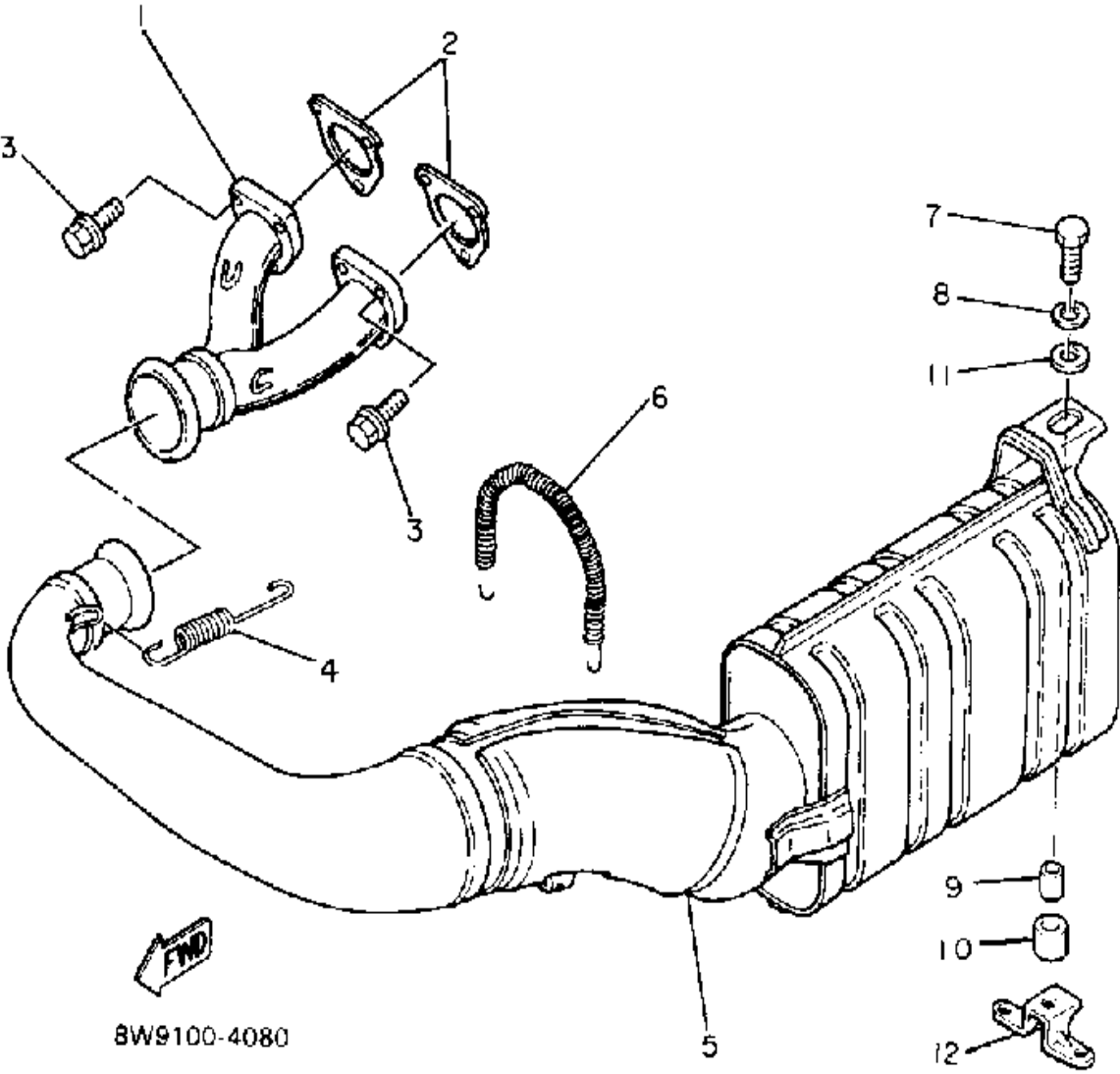
Ref. No.	Part Number	Description	Qty	Remarks
1	8Y2-14101-02-00	CARBURETOR ASSEMBLY ...	1	
2	8Y2-14134-00-00	. SPRING, AIR ADJUST .....	1	
3	620-14211-00-00	. SCREW, PILOT ADJUSTING .	1	
4	8M6-14126-00-00	. GASKET .....	1	
5	8M6-14261-00-00	. HOLDER .....	1	
6	286-14198-00-00	. GASKET .....	1	
7	214-14195-00-00	. WASHER, NEEDLE VALVE ..	1	
8	168-14190-15-00	. NEEDLE VALVE ASSEMBLY .	1	
9	8M6-14186-00-00	. PIN, FLOAT .....	1	
10	8M6-14185-00-00	. FLOAT .....	1	
11	8Y2-14941-4A-00	. NOZZLE, MAIN .....	1	
12	3G2-14231-26-A0	. JET, MAIN (#130) (3G2-14231-26-00) .....	1	U.R.
	3G2-14231-27-00	. JET, MAIN (#135) .....	1	U.R. STD
	3G2-1423A-77-A1	. JET, MAIN (#132.5) (3G2-1423A-77-00) .....	1	U.R.
	3G2-1423A-78-00	. JET, MAIN (#137.5) .....	1	U.R.
	8V0-1423E-51-00	. JET, MAIN (#128.8) .....	1	U.R.
	8V0-1423E-52-00	. JET MAIN (#131.3) (#131.3) ..	1	U.R.
13	8G8-14174-00-00	. CAP, PLUNGER .....	1	
14	127-14135-00-00	. SPRING, PLUNGER .....	1	
15	8G8-14171-00-00	. PLUNGER, STARTER .....	1	
16	193-1414F-00-A1	. JET, PILOT (#100) .....	1	
17	8X0-14133-00-00	. SPRING, THROTTLE STOP ..	1	
18	8V0-8259A-00-00	. SWITCH, CARBURETOR .....	1	
19	80L-14122-00-00	. SCREW, THROTTLE .....	1	
20	8X0-14500-00-00	. SPRING .....	1	
21	8X0-14358-00-00	. NUT .....	1	
22	8V0-14118-00-00	. CAP .....	2	



80Y100-6070

Property of [www.SmallEngineDiscount.com](http://www.SmallEngineDiscount.com) - Not for Resale

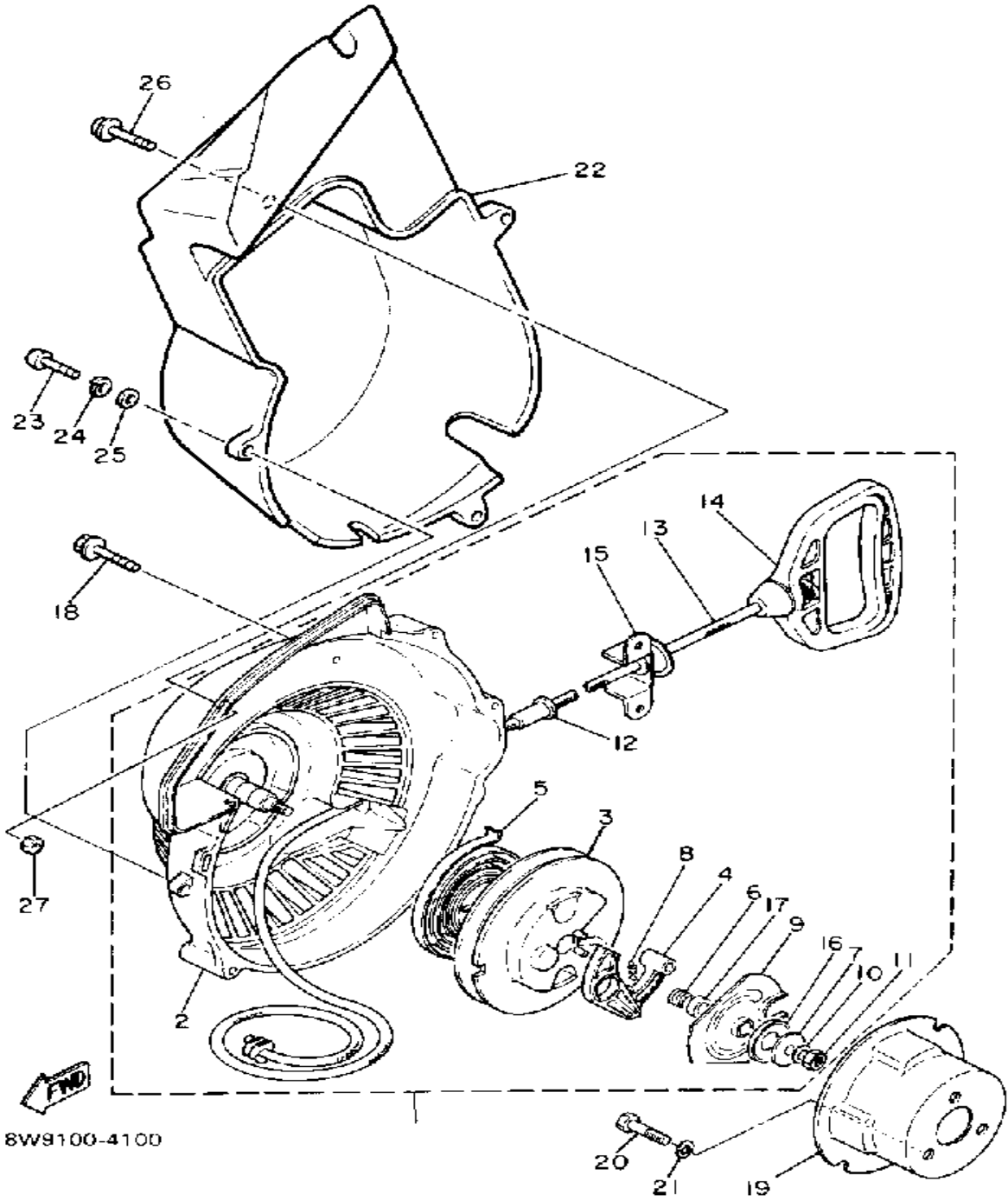
# EXHAUST



Ref. No.	Part Number	Description	Qty	Remarks
1	8G8-14610-00-00	EXHAUST PIPE ASSEMBLY 1	1	
2	8G8-14613-01-00	GASKET, EXHAUST PIPE	2	
3	95811-06020-00	BOLT, FLANGE	6	
4	90506-20272-00	SPRING, TENSION	2	
5	8M8-14710-00-00	MUFFLER ASSEMBLY L	1	
6	90506-16130-00	SPRING, TENSION	1	
7	97313-08030-00	BOLT, HEXAGON	1	
8	92990-08100-00	WASHER	1	
9	90387-08778-00	COLLAR	1	
10	8G8-14747-00-00	DAMPER, MUFFLER	1	
11	90201-08753-00	WASHER, PLATE	1	
12	8W6-14771-01-00	STAY, MUFFLER 1	1	

Property of [www.SmallEngineDiscount.com](http://www.SmallEngineDiscount.com) - Not for Resale

# STARTER

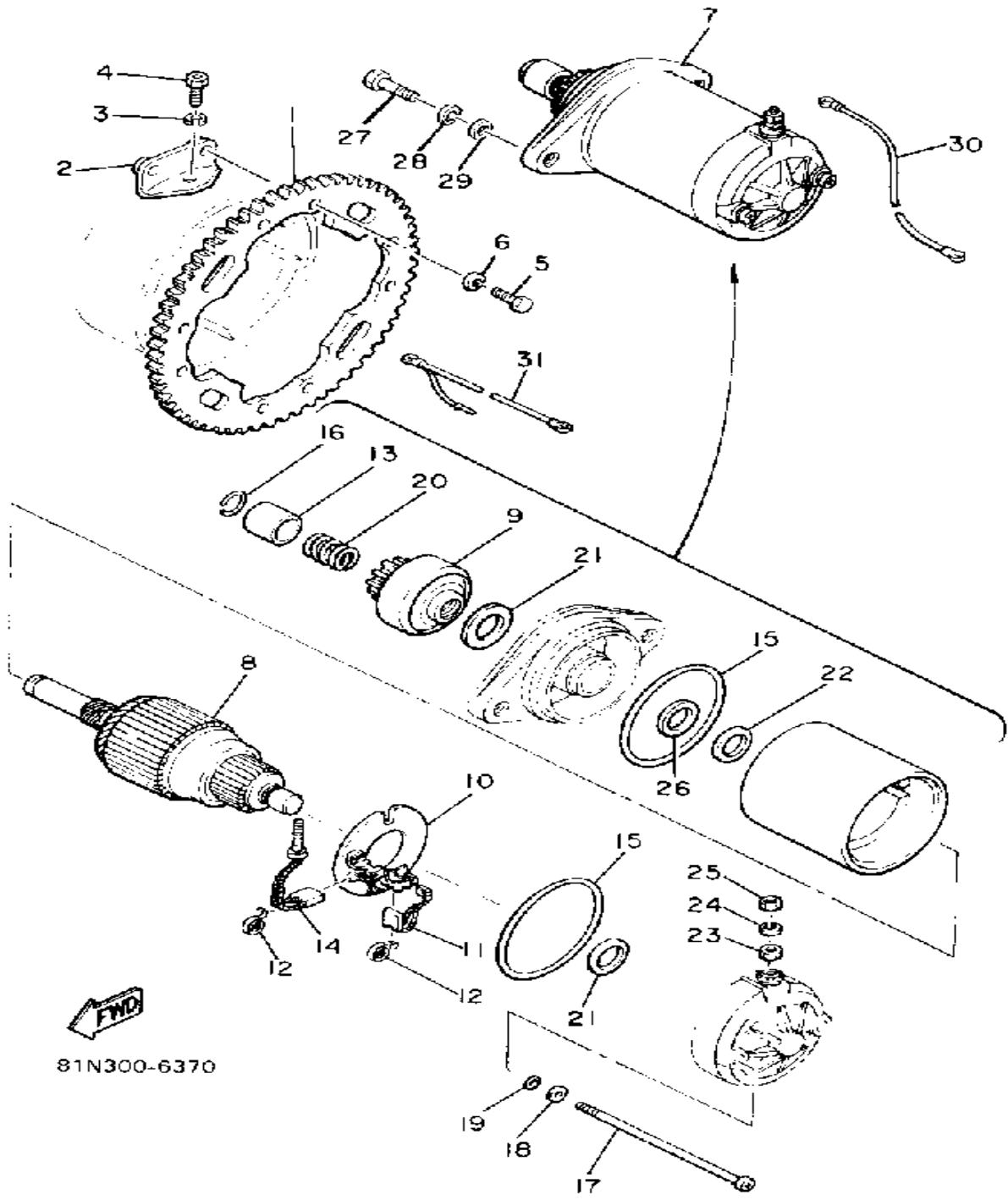


Ref. No.	Part Number	Description	Qty	Remarks
1	8G8-15710-01-00	STARTER ASSEMBLY	1	
2	8G8-15711-01-00	. CASE, STARTER	1	
3	8F3-15714-01-00	. DRUM, SHEAVE	1	
4	8F3-15741-01-00	. PAWL, DRIVE	1	
5	8F3-15713-01-00	. SPRING, STARTER	1	
6	8F3-15715-00-00	. SPRING, FRICTION	1	
7	8F3-15739-01-00	. WASHER, THRUST	1	
8	8F3-15734-00-00	. SPRING, RETURN	1	
9	8F3-15716-03-00	. PLATE, DRIVE	1	
10	92995-06100-00	. WASHER, SPRING	1	
11	95380-06700-00	. NUT	1	
12	8F3-15758-00-00	. GUIDE, ROPE	1	
13	857-15751-00-00	. WIRE, STARTER	1	
14	8F3-15755-00-00	. HANDLE, STARTER	1	
15	8F3-15788-01-00	. HOLDER, HANDLE	1	
16	8G5-15739-00-00	. WASHER, THRUST	1	
17	82M-15779-00-00	. COVER	1	
18	95811-06045-00	BOLT, flange (95812-06045-00)	5	
19	81L-15723-00-00	PULLEY, STARTER	1	
20	97011-08016-00	BOLT	3	
21	92990-08100-00	WASHER	3	
22	8W6-15779-00-00	COVER	1	
23	98516-06030-00	SCREW, PAN HEAD	2	
24	92906-06100-00	WASHER, SPRING	2	
25	90201-062A8-00	WASHER, PLATE	3	
26	90159-06094-00	SCREW, WITH WASHER	1	
27	90179-06447-00	NUT	1	

Property of [www.SmallEngineDiscount.com](http://www.SmallEngineDiscount.com) - Not for Resale



# STARTING MOTOR



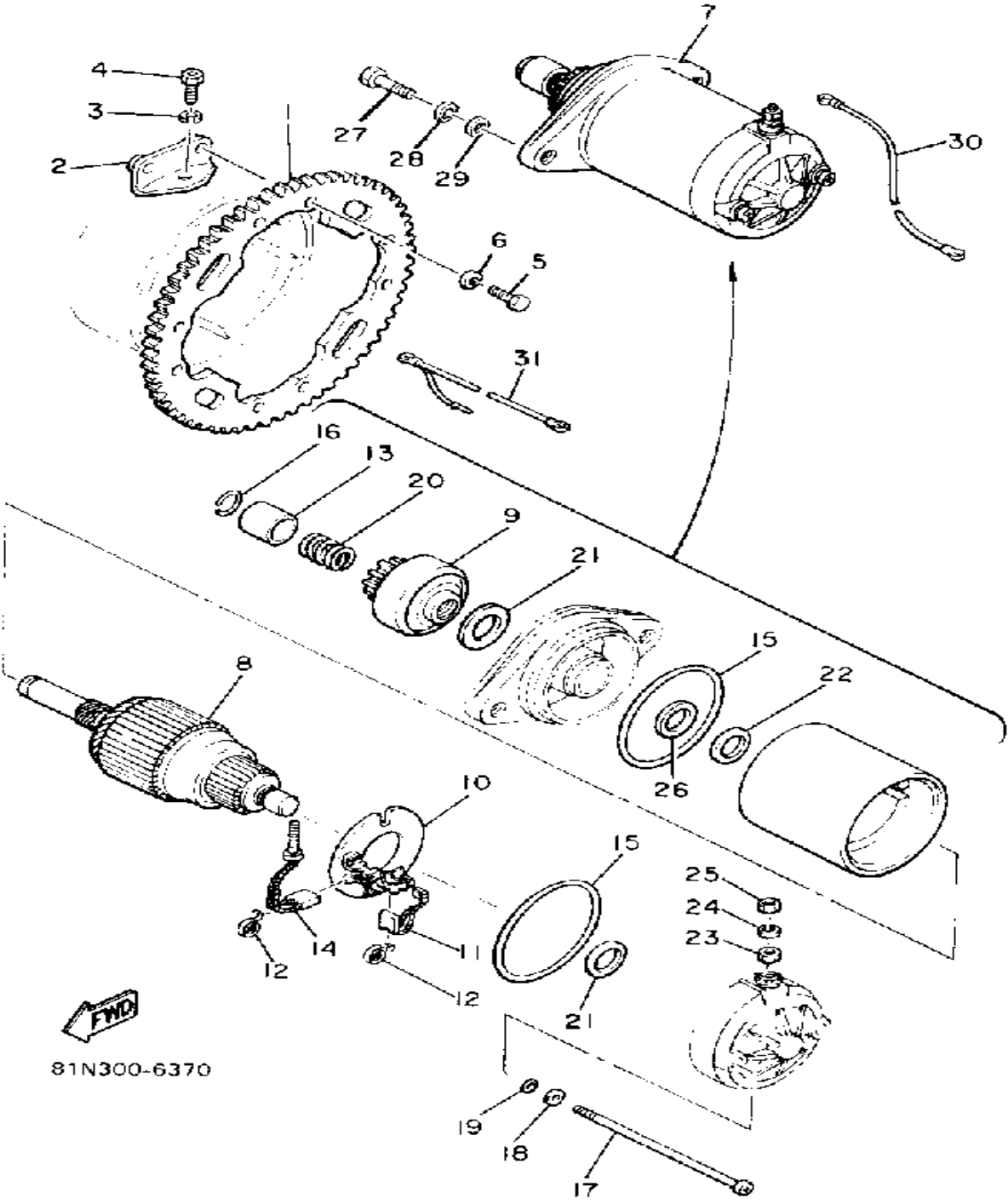
Ref. No.	Part Number	Description	Qty	Remarks
1	8J4-81891-01-00	GEAR, RING .....	1	
2	8J4-81895-01-00	STAY, RING GEAR .....	4	
3	92990-08100-00	WASHER .....	4	
4	90110-08028-00	BOLT, HEX SKT HEADSOCKET HEAD .....	4	
5	97011-06016-00	BOLT .....	8	
6	92995-06100-00	WASHER, SPRING .....	8	
7	84N-81800-50-00	STARTING MOTOR ASSEMBLY (8V3-81800-50-00) .....	1	
8	73A-81850-00-00	. ARMATURE ASSEMBLY .....	1	
9	8L6-81832-50-00	. CLUTCH, OVER RUN .....	1	
10	8L6-81840-50-00	. BRUSH HOLDER ASSEMBLY .....	1	
11	73A-81812-00-00	.. BRUSH 2 .....	1	
12	8L6-81813-50-00	.. SPRING, BRUSH .....	2	
13	8L6-81833-50-00	. RING, STOP .....	1	
14	73A-81811-00-00	. BRUSH 1 .....	1	
15	4H7-81844-00-00	. O-RING (4H7-81844-50-00) ...	2	
16	8L6-81834-50-00	. RING .....	1	
17	8L6-81826-50-00	. BOLT .....	2	
18	8L6-81824-50-00	. WASHER 2 .....	2	
19	8L6-81847-50-00	. O-RING .....	2	
20	8L6-81836-50-00	. SPRNG, lever .....	1	
21	4H7-81843-50-00	. WASHER 1 .....	2	
22	8L6-81835-50-00	. WASHER 2 .....	1	
23	4H7-81872-00-00	. NUT, SPECIAL .....	1	
24	92995-06100-00	. WASHER, SPRING .....	1	
25	95380-06700-00	. NUT .....	1	
26	8Y3-81167-00-00	. OIL SEAL .....	1	
27	97313-08040-00	BOLT, HEXAGON (97322-08040) .....	2	

CONTINUED ON NEXT FRAME ►

Property of [www.SmallEngineDiscount.com](http://www.SmallEngineDiscount.com) - Not for Resale



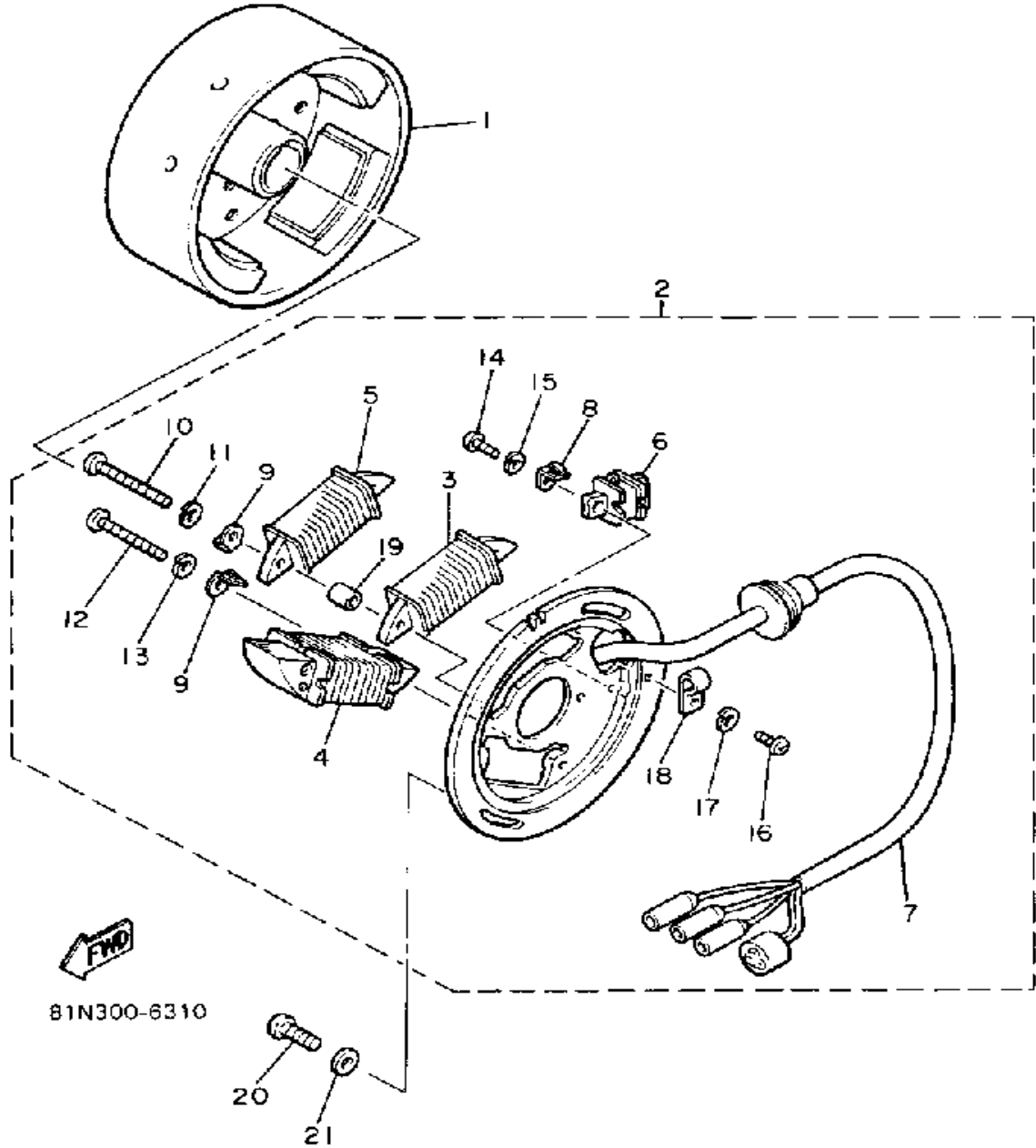
# STARTING MOTOR



Ref. No.	Part Number	Description	Qty	Remarks
28	92990-08100-00	WASHER .....	2	
29	92990-08600-00	WASHER, PLATE .....	2	
30	8J4-82117-01-00	WIRE, LEAD .....	1	
31	8W8-82116-01-00	WIRE, MINUS LEAD .....	1	

Property of [www.SmallEngineDiscount.com](http://www.SmallEngineDiscount.com) - Not for Resale

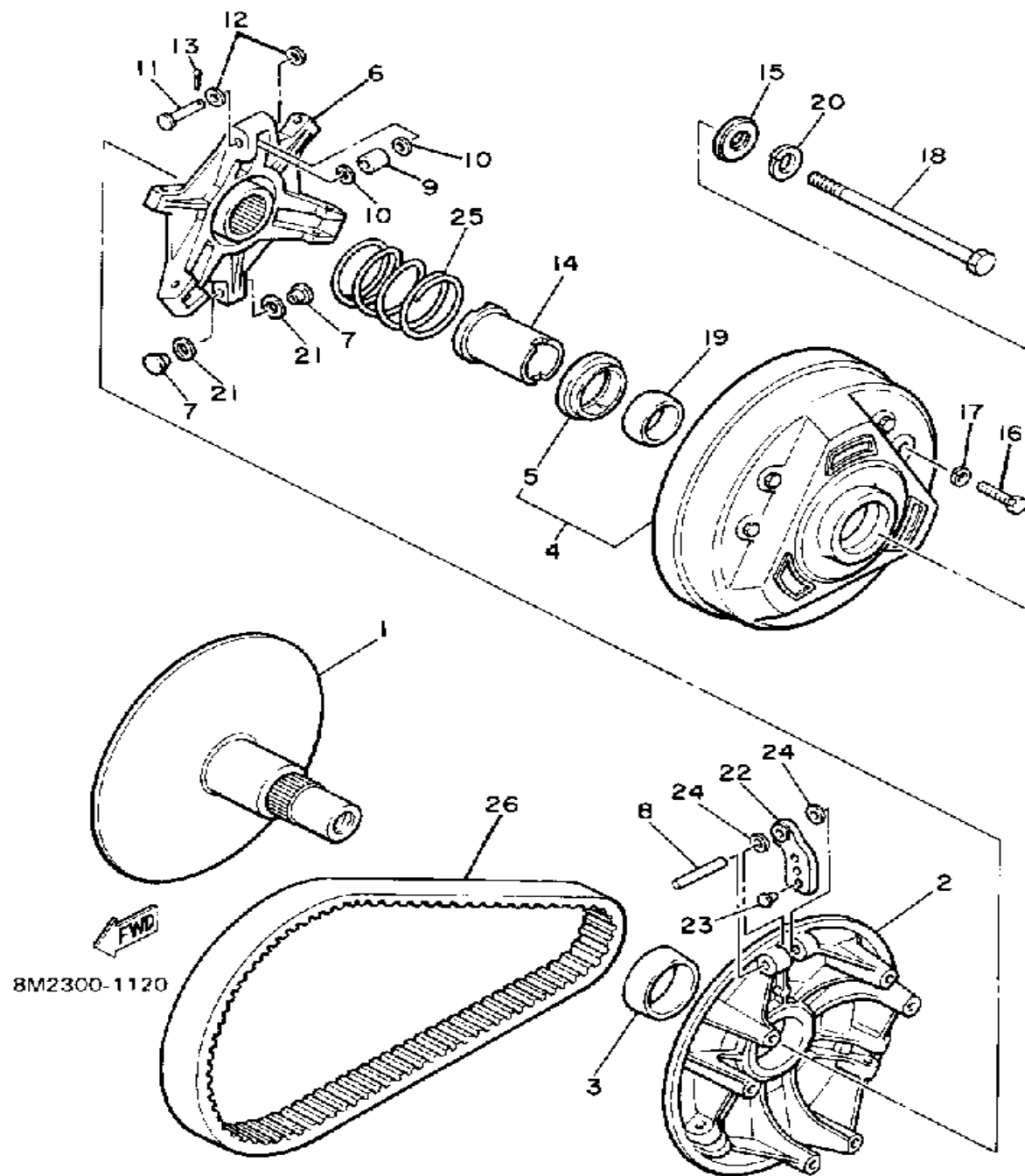
# GENERATOR



Ref. No.	Part Number	Description	Qty	Remarks
1	81L-85550-M0-00	ROTOR ASSEMBLY	1	
2	83R-85560-M0-00	BASE ASSEMBLY (83R-85560-M0)	1	
3	81L-85520-M0-00	. COIL, CHARGE	1	
4	81L-81313-M0-00	. COIL, LIGHTING 1	1	
5	81L-81314-M0-00	. COIL, LIGHTING 2	1	
6	8R4-85580-M0-00	. COIL, PULSER	1	
7	81L-8131X-M0-00	. CORD ASSEMBLY	1	
8	8R4-85568-M0-00	. TERMINAL, EARTH 1	1	
9	8R4-85569-M0-00	. TERMINAL, EARTH 2	2	
10	98501-05040-00	. SCREW, PAN HEAD (98502-05040)	2	
11	92990-05100-00	. WASHER, SPRING	2	
12	98501-05035-00	. SCREW, PAN HEAD	2	
13	92990-05100-00	. WASHER, SPRING	2	
14	98511-04012-00	. SCREW, PAN HEAD	2	
15	92901-04100-00	. WASHER, SPRING	2	
16	98580-04008-00	. SCREW, PAN HEAD	1	
17	92901-04100-00	. WASHER, SPRING	1	
18	90461-05036-00	. CLAMP	1	
19	90387-06553-00	. COLLAR	2	
20	98980-06016-00	SCREW, BINDING	2	
21	90201-06043-00	WASHER, PLATE	2	

Property of [www.SmallEngineDiscount.com](http://www.SmallEngineDiscount.com) - Not for Resale

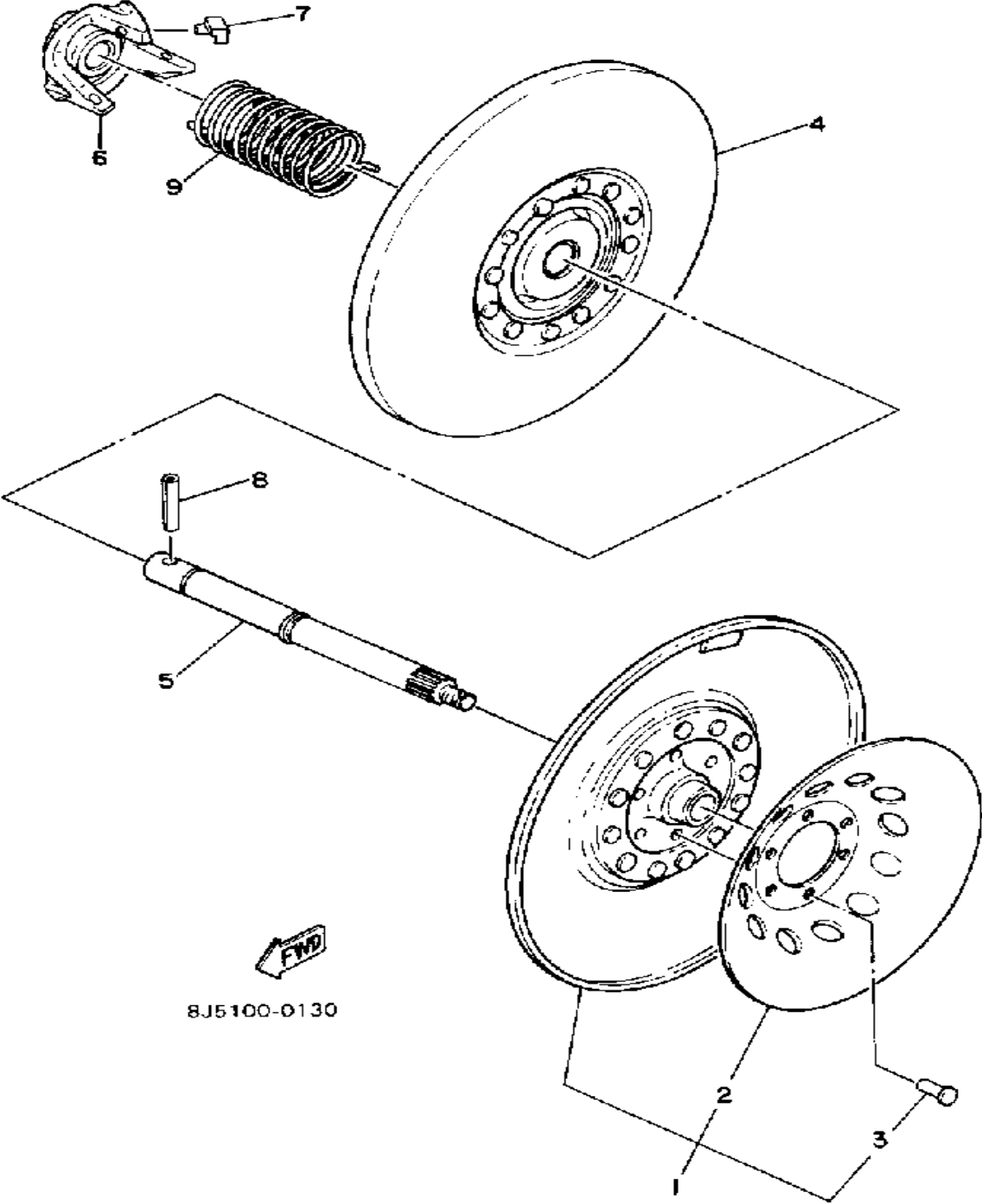
# PRIMARY SHEAVE



Ref. No.	Part Number	Description	Qty	Remarks
1	8H8-W1761-00-00	PRI. FIXED SHEAVE	1	
2	8E7-17621-01-00	SHEAVE, PRI SLIDING	1	
3	90389-41018-00	BUSH, SPEC'L SHAPE	1	
4	8E7-W1762-00-00	PRI. SHEAVE CAP	1	
5	8E7-17644-02-00	. SEAT, SPRING	1	
6	8A7-17627-00-00	SPIDER	1	
7	8F2-17653-00-00	SLIDER	6	
8	93607-44120-00	PIN, DOWEL	3	
9	90387-06560-00	COLLAR	3	
10	90202-06113-00	WASHER, PLATE	6	
11	90240-06062-00	PIN, CLEVIS	3	
12	92990-06200-00	WASHER	6	
13	91401-25020-00	PIN, COTTER	3	
14	90387-28630-00	COLLAR	1	
15	8A7-17654-00-00	SPACER 1	1	
16	97313-06030-00	BOLT, HEXAGON	6	
17	92995-06100-00	WASHER, SPRING	6	
18	90101-13406-00	BOLT	1	
19	90389-34019-00	BUSH, SPEC'L SHAPE	1	
20	90204-13010-00	WASHER, SPRING	1	
21	90201-090A4-00	WASHER, PLATE	1	UN
22	8G8-17632-00-00	WEIGHT, CLUTCH	3	
23	90261-06017-00	RIVET, COUNTERSUNK (ST11.3MM)	3	
24	90201-07641-00	WASHER, PLATE	6	
25	90501-50500-00	SPRING, COMPRESSION	1	
26	(8G5-00000-50-00)	CLUTCH TUNE UP KIT	1	MARKED W/
	820-17641-00-00	V-BELT	1	OPTIONAL PARTS
	8G6-17601-09-00	PRIMARY SHEAVE ASSEMBLY	1	MARKED W/

Property of [www.SmallEngineDiscount.com](http://www.SmallEngineDiscount.com) - Not for Resale

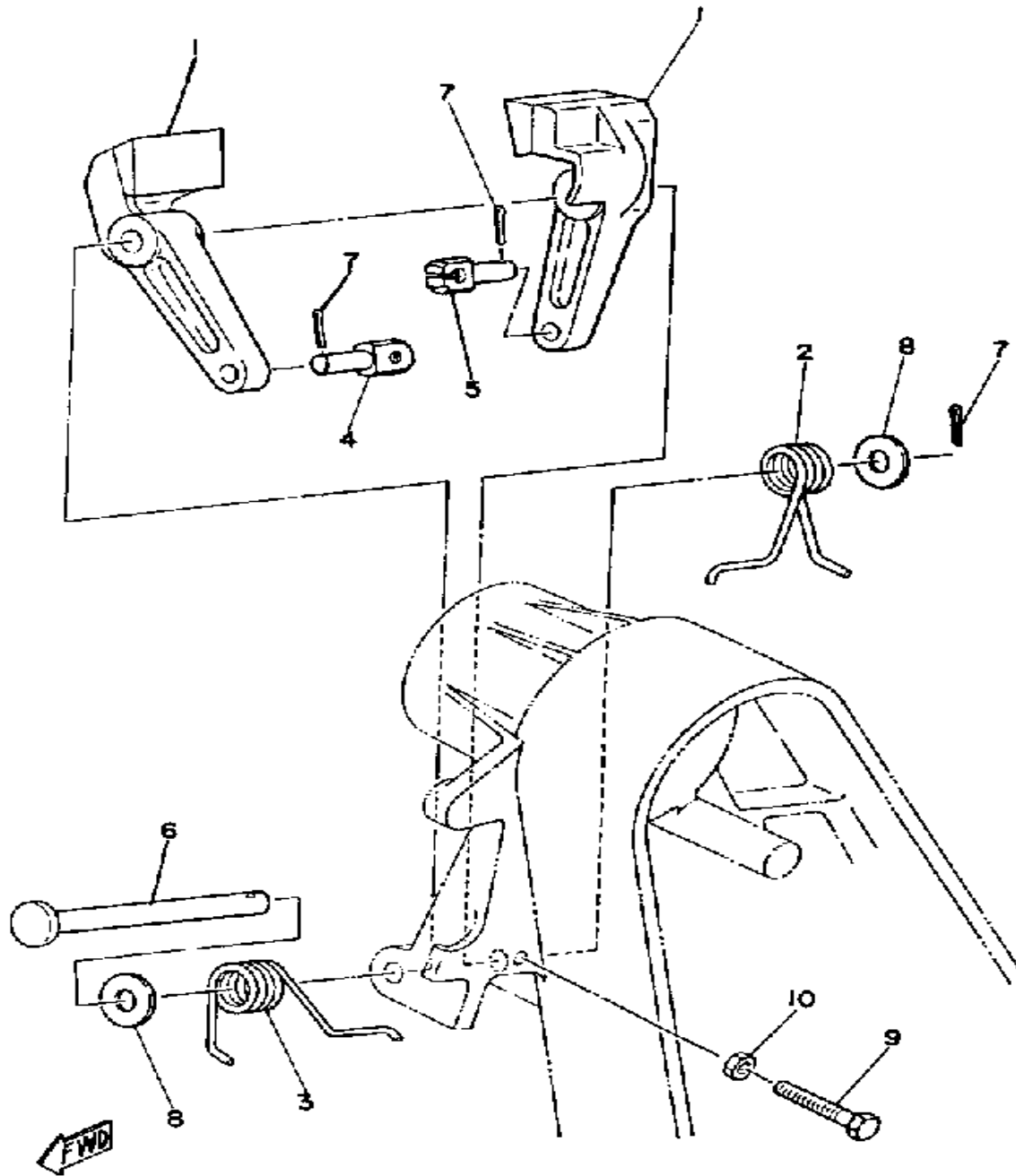
# SECONDARY SHEAVE



Ref. No.	Part Number	Description	Qty	Remarks
1	8G8-17660-01-00	SEC FXD SHV .....	1	
2	8F3-25711-00-00	. DISC, BRAKE .....	1	
3	90263-05023-00	. RIVET, FLAT HEAD .....	6	
4	85T-17670-00-00	SEC SLIDING SHEAVESHEAVE	1	
5	8G8-17681-01-00	SHAFT, SECONDARY .....	1	
6	810-17684-01-00	SEAT, SEC SPRINGSRING ..	1	
7	801-17688-10-00	SHOE, RAMP .....	3	
8	90254-08001-00	PIN, SPRING TYPE .....	1	
9	90508-40080-00	SPRING, TORSION .....	1	

Property of [www.SmallEngineDiscount.com](http://www.SmallEngineDiscount.com) - Not for Resale

# BRAKE

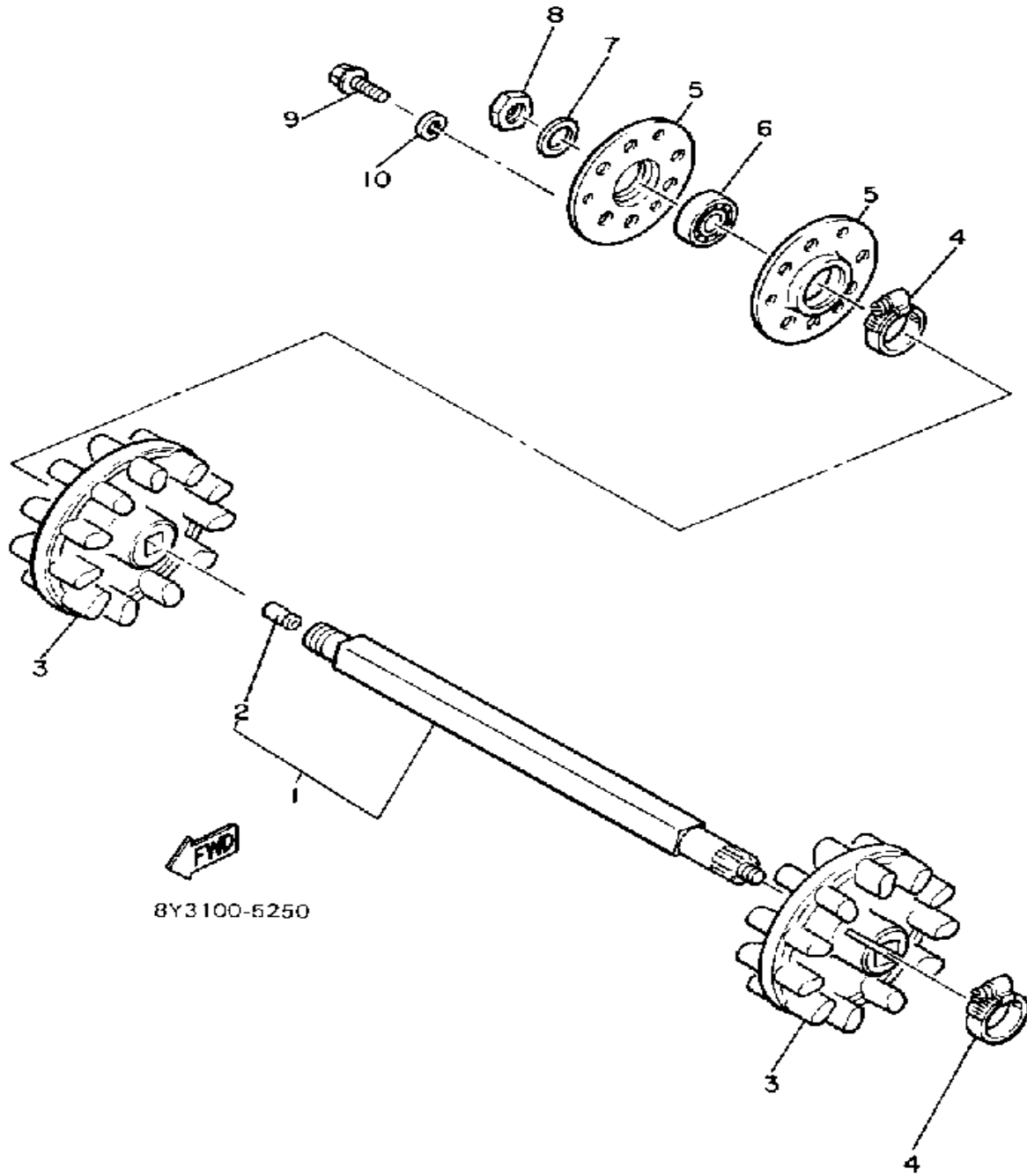


8J6100-0140

Ref. No.	Part Number	Description	Qty	Remarks
1	8F3-25730-00-00	CALIPER BODY 1COMP 1	2	
2	90508-26335-00	SPRING, TORSION	1	
3	90508-26336-00	SPRING, TORSION	1	
4	90249-06012-00	PIN	1	
5	90249-06009-00	PIN	1	
6	90240-08068-00	PIN, CLEVIS	1	
7	91490-20020-00	PIN, COTTER	3	
8	92990-08600-00	WASHER, PLATE	2	
9	90101-05355-00	BOLT	1	
10	95311-05700-00	NUT	1	

Property of [www.SmallEngineDiscount.com](http://www.SmallEngineDiscount.com) - Not for Resale

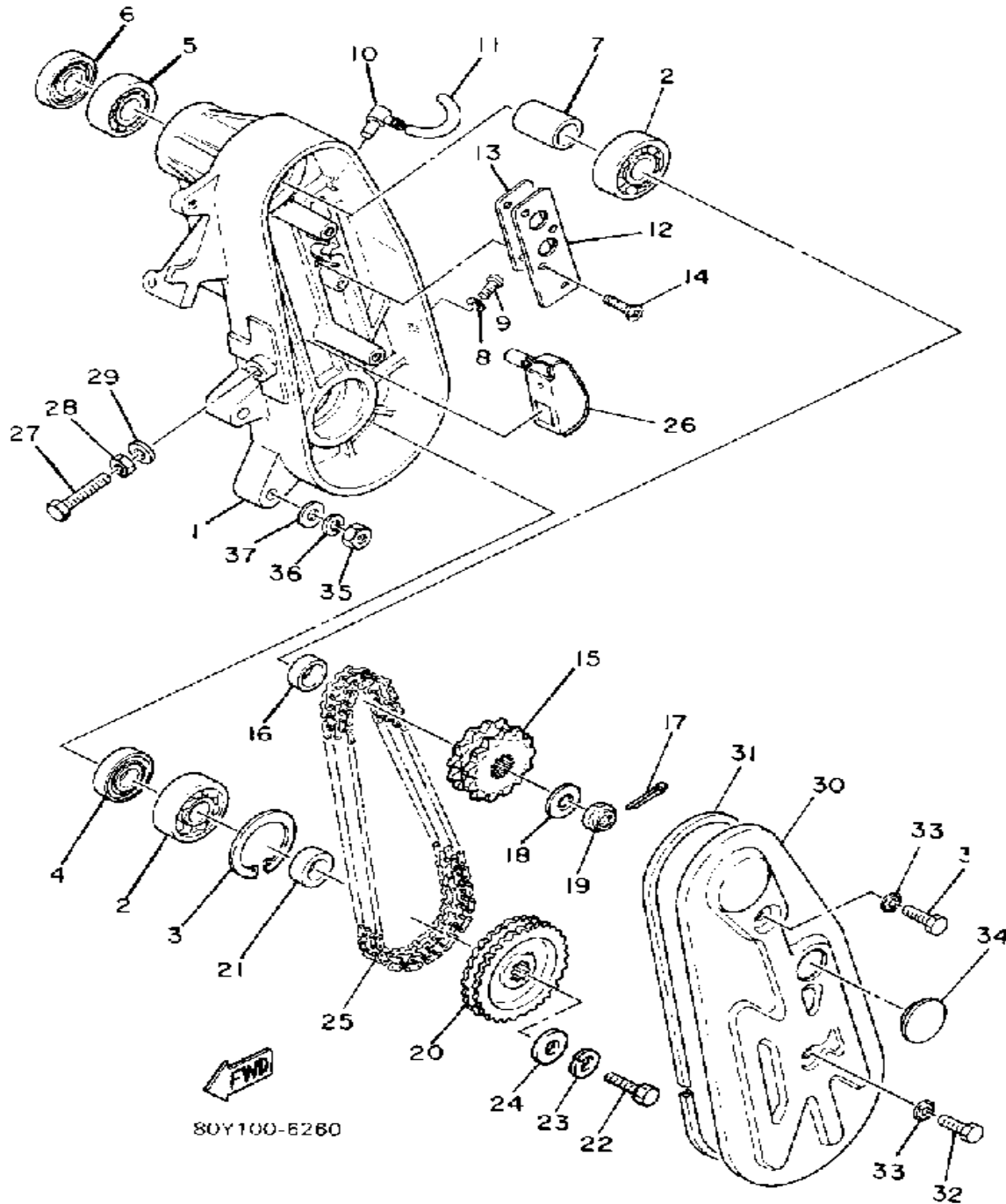
# TRACK DRIVE 1



Ref. No.	Part Number	Description	Qty	Remarks
1	8W7-W4751-00-00	AXLE, FRONT .....	1	
2	8K4-47577-00-00	. CONNECTOR .....	1	
3	8H9-47531-00-00	WHEEL, SPROCKET 1 .....	2	
4	90460-50079-00	CLAMP, HOSE .....	2	
5	8F3-47551-00-00	HOUSING, FRONT AXLE .....	2	
6	93306-00441-00	BEARING (89A) (B6004RS) ...	1	
7	90208-20008-00	WASHER, CONICAL SPRING ..	1	
8	90170-20211-00	NUT .....	1	
9	97011-08016-00	BOLT .....	3	
10	92990-08100-00	WASHER .....	3	

Property of [www.SmallEngineDiscount.com](http://www.SmallEngineDiscount.com) - Not for Resale

# TRACK DRIVE 2



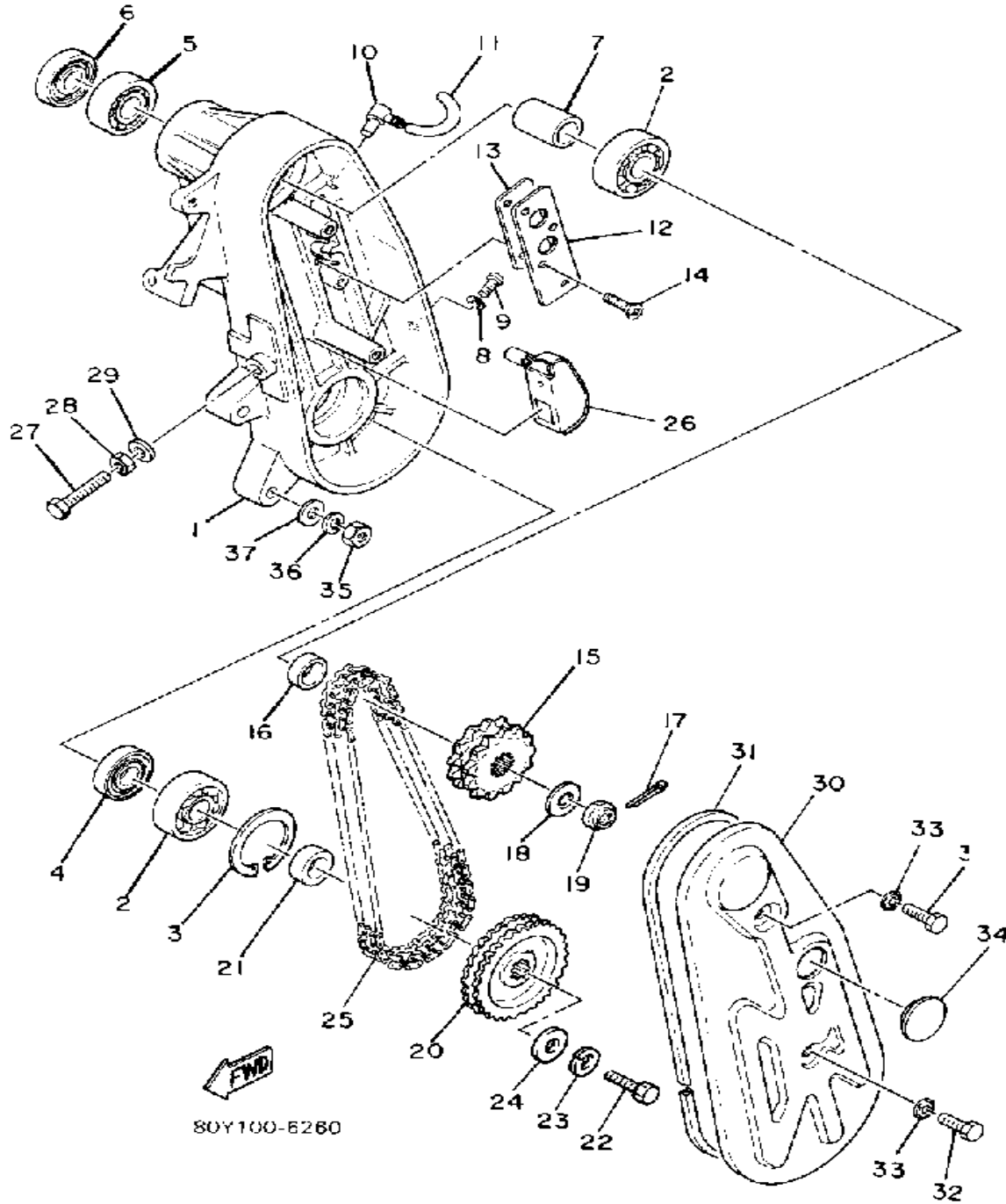
Ref. No.	Part Number	Description	Qty	Remarks
1	8F3-47541-00-00	HOUSING, CHAIN	1	
2	93306-30407-00	BEARING (B6304C3)	2	
3	99009-52500-00	CIRCLIP	1	
4	93102-20447-00	OIL SEAL	1	
5	93306-20458-00	BEARING	1	
6	93102-30083-00	SEAL, OIL	1	
7	90387-20580-00	COLLAR	1	
8	90430-06016-00	GASKET	1	
9	91311-06010-00	BOLT, SOCKET HEAD	1	
10	583-15371-00-00	BREATHER	1	
11	90445-09055-00	HOSE	1	
12	8G8-47591-00-00	PLATE	1	
13	85T-47592-00-00	GASKET	1	
14	98702-05014-00	SCREW, FLAT HEAD	4	
15	802-17682-20-00	SPROCKET, CHAIN DRIVE (11T)	1	ALT. PART
	802-17682-40-00	SPRKT, CHAIN DR 13TCHAIN DRIVE (13T) (806-17682-30-0)	1	U.R. STD
	806-17682-20-00	SPROCKET, CHAIN DRIVE (12T)	1	ALT. PART
	806-17682-40-00	SPROCKET, CHAIN DRIVE (14T)	1	ALT. PART
16	90387-19649-00	COLLAR	1	
17	91401-25030-00	PIN, COTTER	1	
18	90201-122H1-00	WASHER, PLATE	1	
19	90185-12119-00	NUT, SELF-LOCKING	1	
20	8G8-47548-10-00	SPROCKET, CHN DRVN	1	ALT. PART
	8G8-47548-20-00	SPROCKET, CHN DRVN	1	U.R. STD
	8G8-47548-30-00	SPROCKET, CHN DRVN	1	ALT. PART
21	90387-20155-00	COLLAR	1	

CONTINUED ON NEXT FRAME ►

Property of [www.SmallEngineDiscount.com](http://www.SmallEngineDiscount.com) - Not for Resale



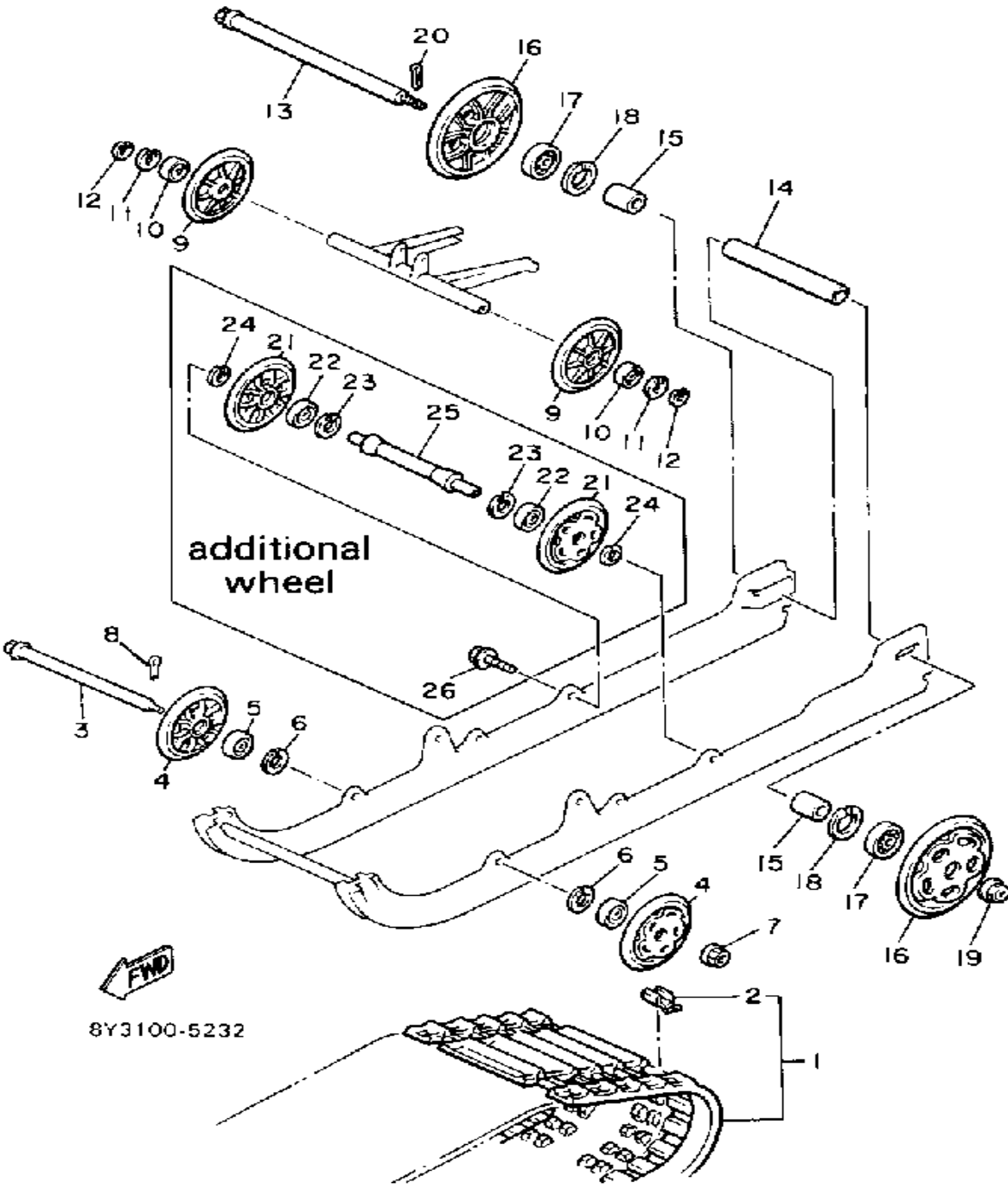
# TRACK DRIVE 2



Ref. No.	Part Number	Description	Qty	Remarks
22	97312-08025-00	BOLT (97012-08025)	1	
23	92990-08100-00	WASHER	1	
24	90201-08748-00	WASHER, PLATE	1	
25	94880-01060-00	CHAIN 60L	1	
26	8G8-47611-00-00	TENSIONER	1	
27	90101-10357-00	BOLT	1	
28	95303-10700-00	NUT	1	
29	90210-10004-00	WASHER, SEAL	1	
30	8F3-47543-00-00	CAP, HOUSING	1	
31	8F3-47558-00-00	RING, HOUSING (97302-08020)	1	
32	97313-08020-00	BOLT, HEXAGON	2	
33	90210-08002-00	WASHER, SEAL	2	
34	148-22315-00-00	CAP	1	
35	95333-08600-00	NUT	4	
36	92990-08100-00	WASHER	4	
37	92990-08200-00	WASHER, PLAIN	4	

Property of [www.SmallEngineDiscount.com](http://www.SmallEngineDiscount.com) - Not for Resale

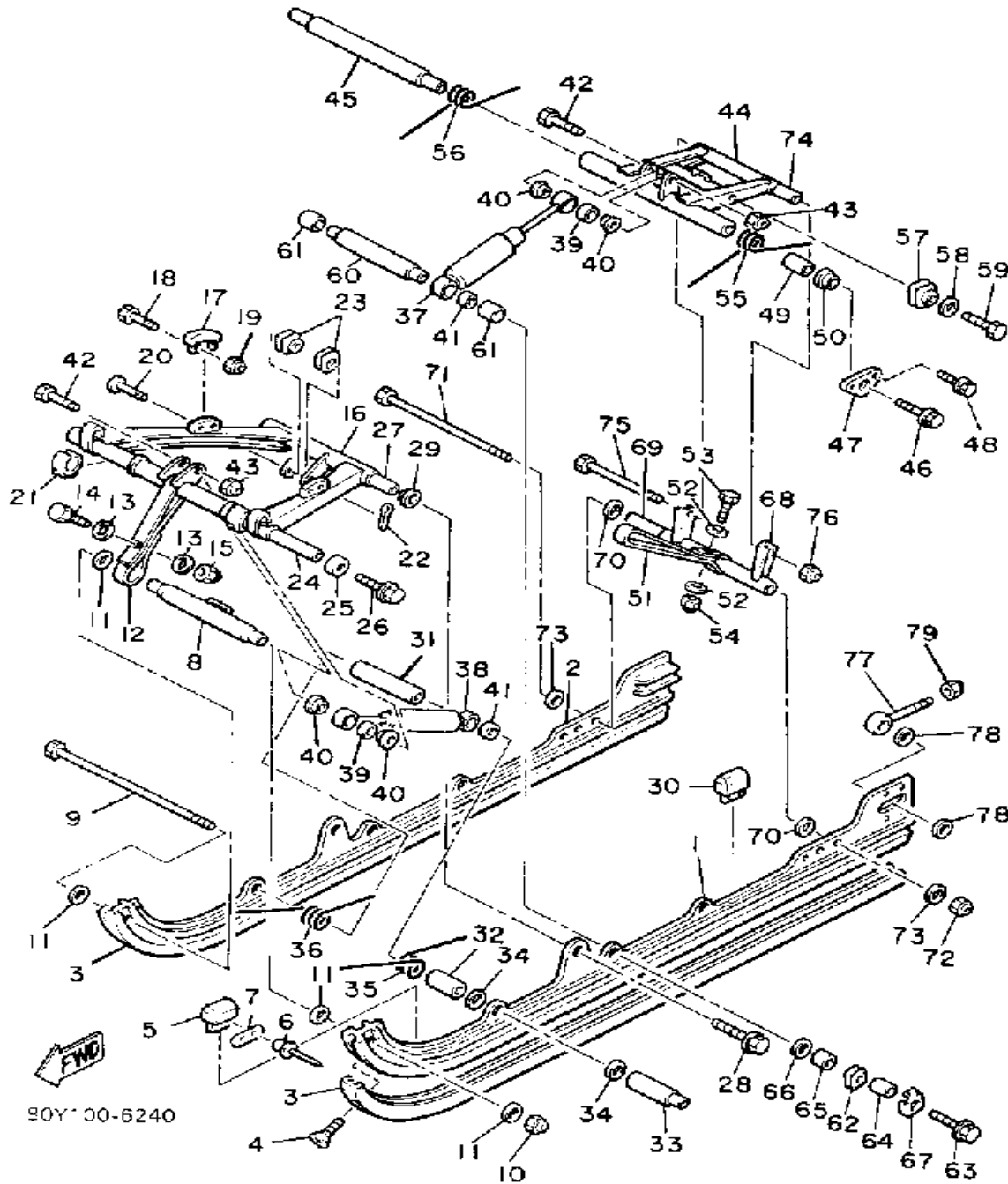
# TRACK SUSPENSION 1



Ref. No.	Part Number	Description	Qty	Remarks
1	8J6-47110-01-00	TRACK ASSEMBLY (8J6-47110-01-00)	1	
2	8A5-47115-00-00	. METAL, SLIDE	66	
3	90891-50061-00	SHAFT 5 (80X-47487-00-00)	1	
4	8K2-47320-00-00	SUSPENSION WHEELWHEEL COMP	2	
5	93306-00441-00	BEARING (89A) (B6004RS)	2	
6	99009-42500-00	CIRCLIP	2	
7	95601-14200-00	NUT, U	1	
8	91401-30030-00	PIN, COTTER	1	
9	885-47320-01-00	SUSPENSION WHEEL COMP.	2	
10	93306-00441-00	BEARING (89A) (B6004RS)	2	
11	99009-42500-00	CIRCLIP	2	
12	99009-20400-00	CIRCLIP	2	
13	8L8-47520-01-00	REAR AXLE COMP. (8L8-47520-02-00)	1	
14	90387-200M8-00	COLLAR	1	
15	90387-203H0-00	COLLAR	2	
16	8K2-47530-00-00	GUIDE WHEEL COMP.	2	
17	93306-20417-00	BEARING (B62042RS)	2	
18	99009-47500-00	CIRCLIP	2	
19	95601-14200-00	NUT, U	1	
20	91401-30030-00	PIN, COTTER	1	
21	87M-47320-00-00	SUSPENSION WHEEL COMP.	2	ALT. PART
22	93306-00441-00	BEARING (89A) (B6004RS)	2	ALT. PART
23	99009-42500-00	CIRCLIP	2	ALT. PART
24	99009-20400-00	CIRCLIP	2	ALT. PART
25	8V0-47488-00-00	SHAFT 6	1	ALT. PART
26	95821-08020-00	BOLT, FLANGE (95801-08020)	2	

Property of [www.SmallEngineDiscount.com](http://www.SmallEngineDiscount.com) - Not for Resale

# TRACK SUSPENSION 2

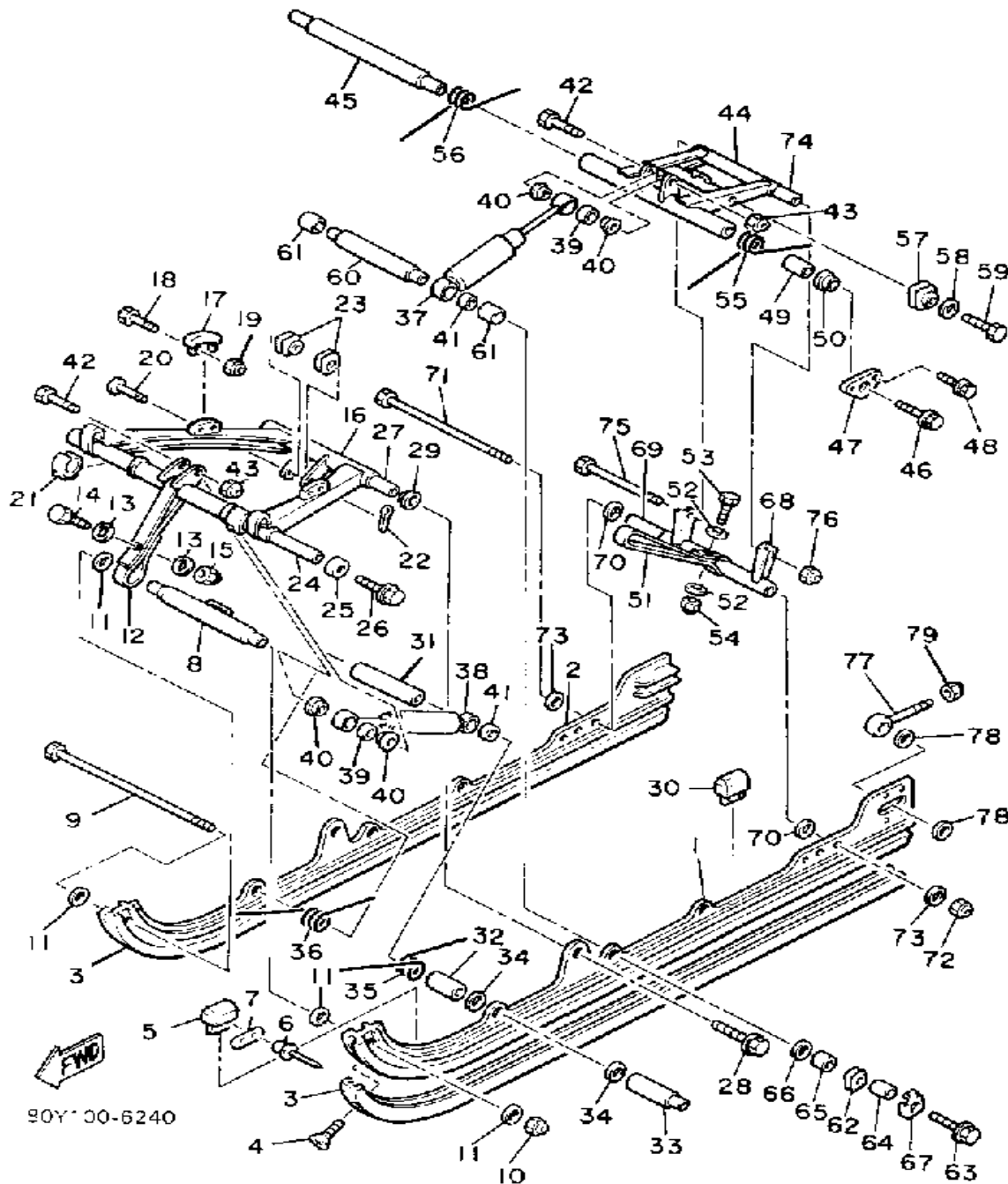


Ref. No.	Part Number	Description	Qty	Remarks
1	8Y3-47411-00-00	FRAME, SLIDING 1	1	
2	8Y3-47412-00-00	FRAME, SLIDING 2	1	
3	8Y3-47421-00-XX	RUNNER, SLIDING 1 (8Y3-47421-00-00)	2	
4	90151-06010-00	SCREW, COUNTERSUNK	2	
5	8V0-47456-00-00	DAMPER 1	2	
6	90267-48062-00	RIVET, BLIND	8	
7	8K2-47458-01-00	PLATE, DAMPER	8	
8	8V0-47415-00-00	BRACKET 1	1	
9	97022-08255-00	BOLT	1	
10	95712-08300-00	NUT, LOCK	1	
11	92990-08600-00	WASHER, PLATE	4	
12	8Y3-47495-00-00	STOPPER 1	1	
13	90201-06407-00	WASHER, PLATE (90201-06747-00)	2	
14	97011-06025-00	BOLT (97001-06025)	1	
15	95701-06300-00	NUT, NYLON	1	
16	8V0-47331-01-00	ARM, PIVOT 1	1	
17	8F3-47422-01-00	RUNNER, SLIDING 2	2	
18	97011-06025-00	BOLT (97001-06025)	4	
19	95701-06300-00	NUT, NYLON	4	
20	90240-12136-00	PIN, CLEVIS	1	
21	8V0-47447-01-00	HOOK 2	2	
22	91401-30020-00	PIN, COTTER	1	
23	8R4-47447-00-00	HOOK 2	2	
24	8A5-47465-02-00	SHAFT 1	1	
25	8U7-47341-00-00	SPACER	2	
26	90109-106A2-00	BOLT	2	
27	8K2-47485-00-00	SHAFT 3	1	

CONTINUED ON NEXT FRAME ►

Property of [www.SmallEngineDiscount.com](http://www.SmallEngineDiscount.com) - Not for Resale

# TRACK SUSPENSION 2

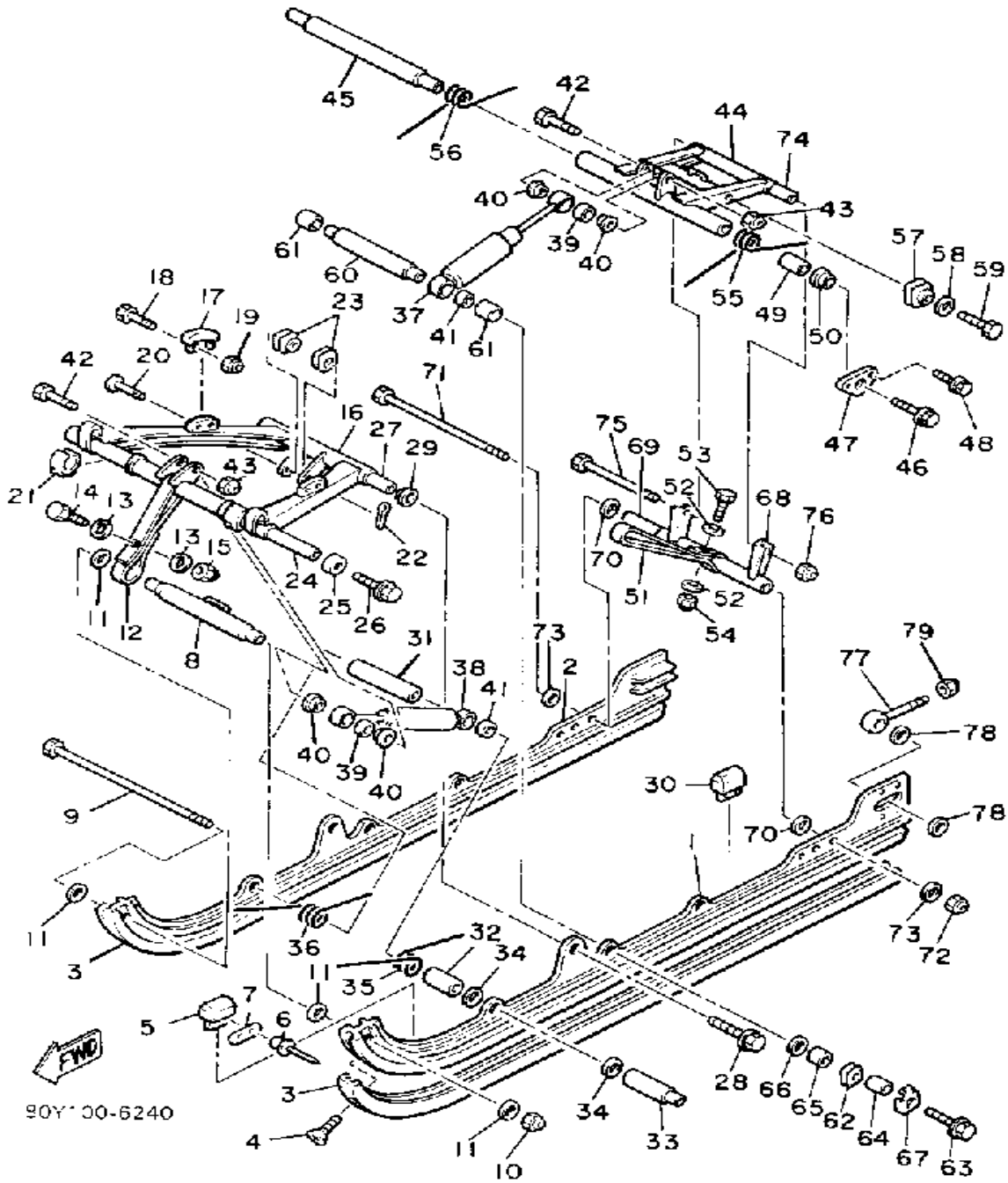


Ref. No.	Part Number	Description	Qty	Remarks
28	95811-10030-00	BOLT, FLANGE	2	
29	90387-105G6-00	COLLAR	2	
30	8V0-47456-00-00	DAMPER 1	2	
31	90387-160M7-00	COLLAR	1	
32	8V0-47319-00-00	COLLAR	2	
33	90387-166M8-00	COLLAR	2	
34	90201-161E5-00	WASHER, PLATE	4	
35	8Y3-47471-00-00	SPRING, FRONT 1	1	
36	8Y3-47472-00-00	SPRING, FRONT 2	1	
37	8Y3-47480-01-00	SHOCK ABSORBER	1	
38	8Y3-47481-00-00	SHOCK ABSORBER 2	1	
39	90387-084J8-00	COLLAR	2	
40	90387-123G4-00	COLLAR	4	
41	8V0-47371-00-00	BUSH, PIVOT	2	
42	97313-08045-00	BOLT	2	
43	95712-08300-00	NUT, LOCK	2	
44	8V0-47332-00-00	ARM, PIVOT 2	1	
45	8Y3-47475-00-00	SHAFT 2	1	
46	90109-106A2-00	BOLT	2	
47	8Y3-47425-00-00	BRACKET, REAR 2	2	
48	95821-08020-00	BOLT, FLANGE (95801-08020)	4	
49	8V0-47365-00-00	COLLAR 1	2	
50	8V0-47384-00-00	WASHER	2	
51	8Y3-47496-00-00	STOPPER 2	1	
52	90201-06407-00	WASHER, PLATE (90201-06747-00)	2	
53	97011-06025-00	BOLT (97001-06025)	1	
54	95701-06300-00	NUT, NYLON	1	
55	8Y3-47473-00-00	SPRING, REAR 3	1	

CONTINUED ON NEXT FRAME ►

Property of [www.SmallEngineDiscount.com](http://www.SmallEngineDiscount.com) - Not for Resale

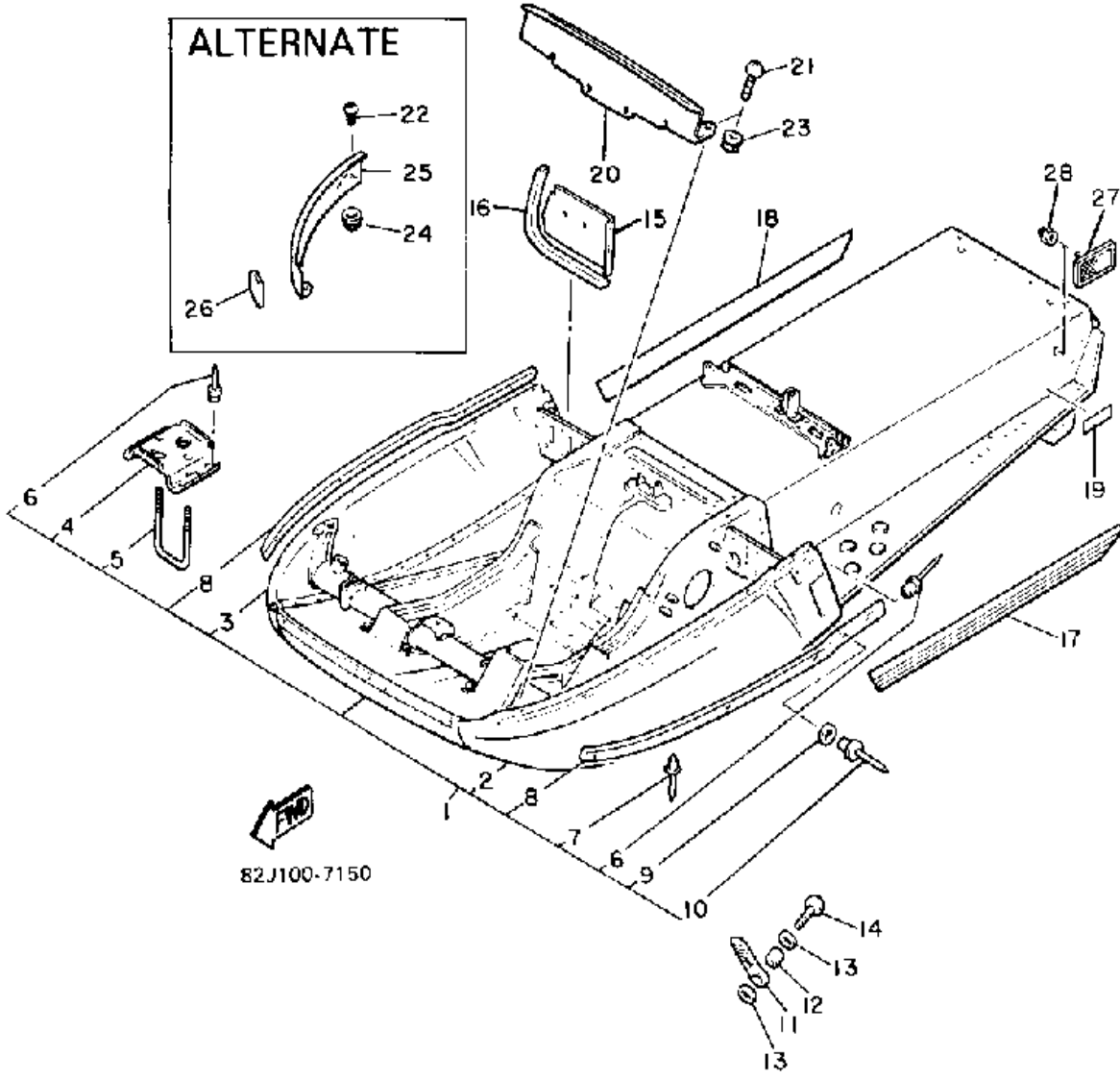
# TRACK SUSPENSION 2



Ref. No.	Part Number	Description	Qty	Remarks
56	8Y3-47474-00-00	SPRING, REAR 4	1	
57	86S-47446-01-00	HOOK 1	2	
58	90201-06057-00	WASHER, PLATE	2	
59	97313-06016-00	BOLT, HEXAGON	2	
60	8Y3-47486-00-00	SHAFT 4	1	
61	8Y3-47319-00-00	COLLAR	2	
62	890-47447-00-00	HOOK 2	2	
63	95811-08055-00	BOLT, FLANGE	2	
64	90387-08262-00	COLLAR	2	
65	90387-12105-00	COLLAR	2	
66	92990-08600-00	WASHER, PLATE	2	
67	8V0-47467-00-00	PLATE, GUIDE	2	
68	8V0-47417-00-00	BRACKET 3	1	
69	90387-08632-00	COLLAR	1	
70	90201-08649-00	WASHER, PLATE	2	
71	97022-08255-00	BOLT	1	
72	95712-08300-00	NUT, LOCK	1	
73	92990-08600-00	WASHER, PLATE	2	
74	90387-084J9-00	COLLAR	1	
75	97022-08165-00	BOLT	1	
76	95712-08300-00	NUT, LOCK	1	
77	8K2-47479-01-00	COLLAR 3	2	
78	90201-20279-00	WASHER, PLATE	4	
79	95701-10300-00	NUT, FLANGE (95702-10300)	2	

Property of [www.SmallEngineDiscount.com](http://www.SmallEngineDiscount.com) - Not for Resale



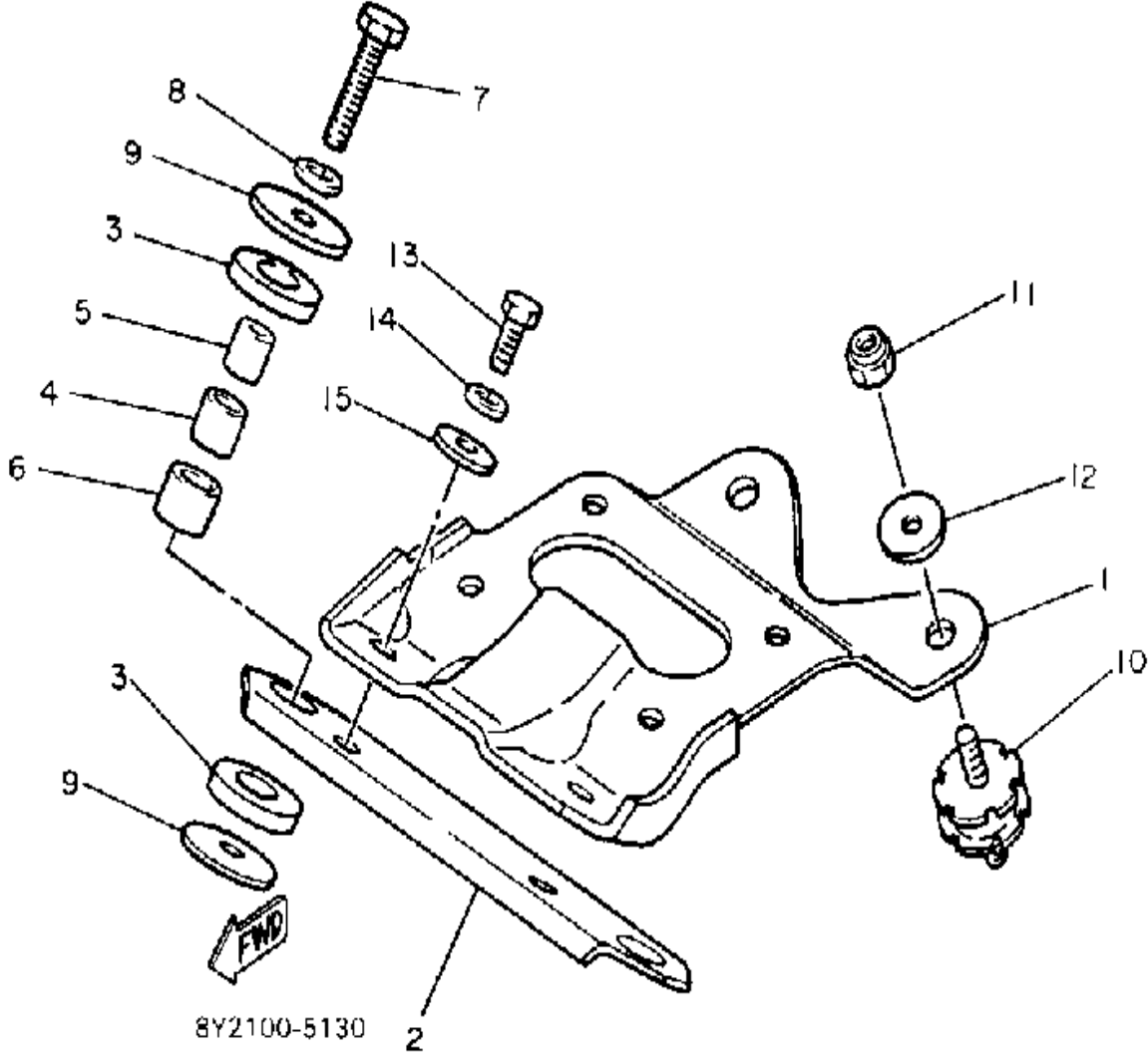


# FRAME

Ref. No.	Part Number	Description	Qty	Remarks
1	82J-21910-00-00	FRAME	1	
2	82J-21982-00-00	. HOOD 1	1	
3	82J-21983-00-00	. HOOD 2	1	
4	8W8-2199G-00-00	. BRACKET, BATTERY	1	
5	8J4-82133-00-00	. SCREW, FITTING	1	
6	90267-48053-00	. RIVET, BLIND	7	
7	90267-48057-00	. RIVET, BLIND	30	
8	8W6-2196T-00-00	. TRIM 1	2	
9	90201-047A2-00	. WASHER, PLATE	1	
10	90267-40075-00	. RIVET, BLIND	16	
11	8M6-77171-00-00	BODY, LATCH 1	2	
12	90387-06241-00	COLLAR	2	
13	90201-06059-00	WASHER, PLATE	4	
14	98906-06025-00	SCREW, BIND	2	
15	8Y2-2198G-00-00	COVER 2	1	
16	8Y2-2199F-00-00	SHIELD, NOISE	1	
17	82J-77354-00-00	EMBLEM 4	1	
18	82J-77355-00-00	EMBLEM 5	1	
19	8K2-77742-00-00	INDICATOR 2	1	
20	8W6-2198F-00-00	COVER 1	1	
21	98906-06012-00	SCREW, BIND	4	
22	98906-06012-00	SCREW, BIND	5	ALT. PART
23	95701-06500-00	NUT, FLANGE	3	
24	95701-06500-00	NUT, FLANGE	4	ALT. PART
25	82H-77552-00-00	PROTECTOR 2	1	ALT. PART
26	82H-77553-01-00	PROTECTOR 3	1	
27	3Y6-85130-02-00	REAR REFLECTOR ASSEMBLY	2	
28	95701-05300-00	NUT, NYLON	2	

Property of [www.SmallEngineDiscount.com](http://www.SmallEngineDiscount.com) - Not for Resale

# ENGINE BRACKET

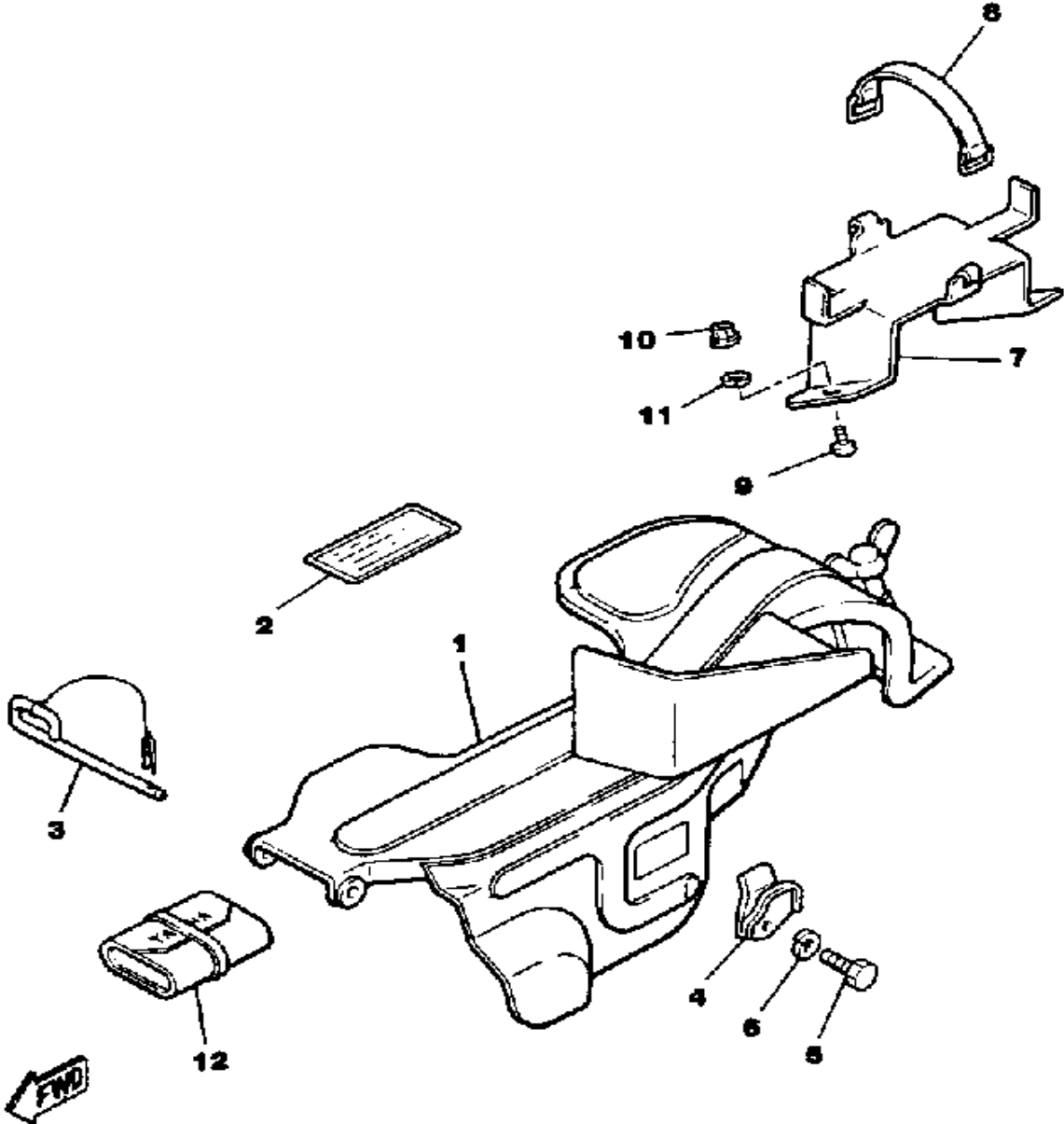


Ref. No.	Part Number	Description	Qty	Remarks
1	8G8-21411-00-00	BRACKET, ENGINE 1	1	
2	8G8-21419-00-00	BRACKET, ENGINE 2	1	
3	8A5-21485-00-00	DAMPER, RUBBER 1	4	
4	90385-15025-00	BUSH, SPEC'L RUBBER	2	
5	90387-10514-00	COLLAR	2	
6	90387-21515-00	COLLAR	2	
7	97313-10050-00	BOLT, HEXAGON (676)	2	
8	92990-10100-00	WASHER, SPRING	2	
9	90201-10151-00	WASHER, PLATE	4	
10	8F3-21486-00-00	DAMPER 2	2	
11	95701-10500-00	NUT, FLANGE (95702-10500)	2	
12	90201-10321-00	WASHER, PLATE	2	
13	97011-10025-00	BOLT	2	
14	92990-10100-00	WASHER, SPRING	2	
15	90201-10639-00	WASHER, PLATE	2	

Property of [www.SmallEngineDiscount.com](http://www.SmallEngineDiscount.com) - Not for Resale



# GUARD - LUGGAGE BOX

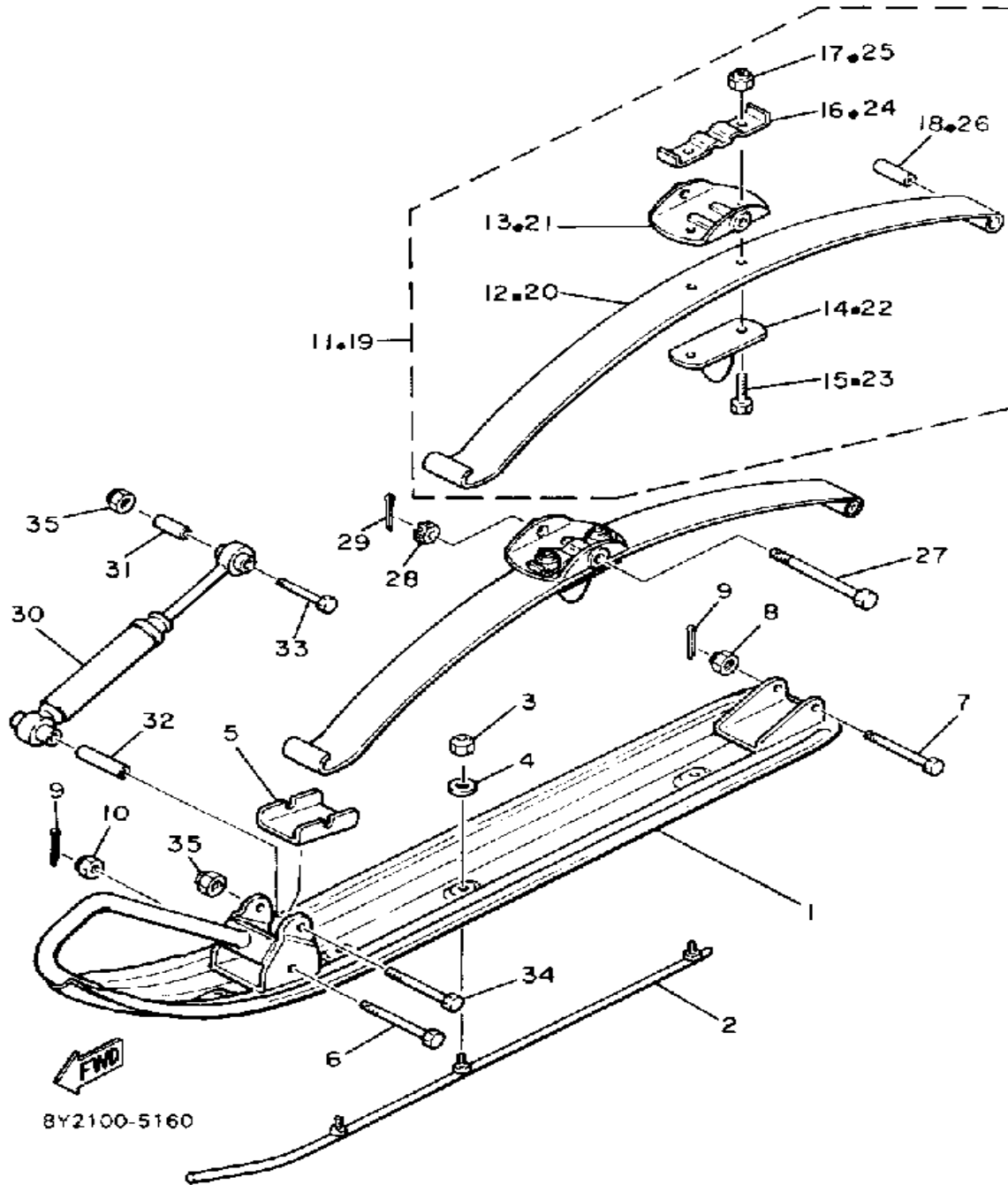


Ref. No.	Part Number	Description	Qty	Remarks
1	8W6-77311-00-00	GUARD, DRIVE .....	1	
2	898-77762-00-00	LABEL, WARNING 2 .....	1	U.R.
3	8F3-77327-00-00	SHAFT .....	1	
4	8F3-77323-00-00	PROTECTOR, DRIVE .....	1	
5	97011-08016-00	BOLT .....	1	
6	92990-08100-00	WASHER .....	1	
7	8W8-21945-00-00	BRACKET, TL BX FTNG .....	1	
8	4J2-82131-01-00	BAND, BATTERY .....	1	
9	98906-06014-00	SCREW, BIND .....	2	
10	95706-06600-00	NUT, WITH WASHER .....	2	
11	92906-06100-00	WASHER, SPRING .....	1	
12	8F3-28100-00-00	TOOL KIT .....	1	

80Y100-6280

Property of [www.SmallEngineDiscount.com](http://www.SmallEngineDiscount.com) - Not for Resale

# SKI

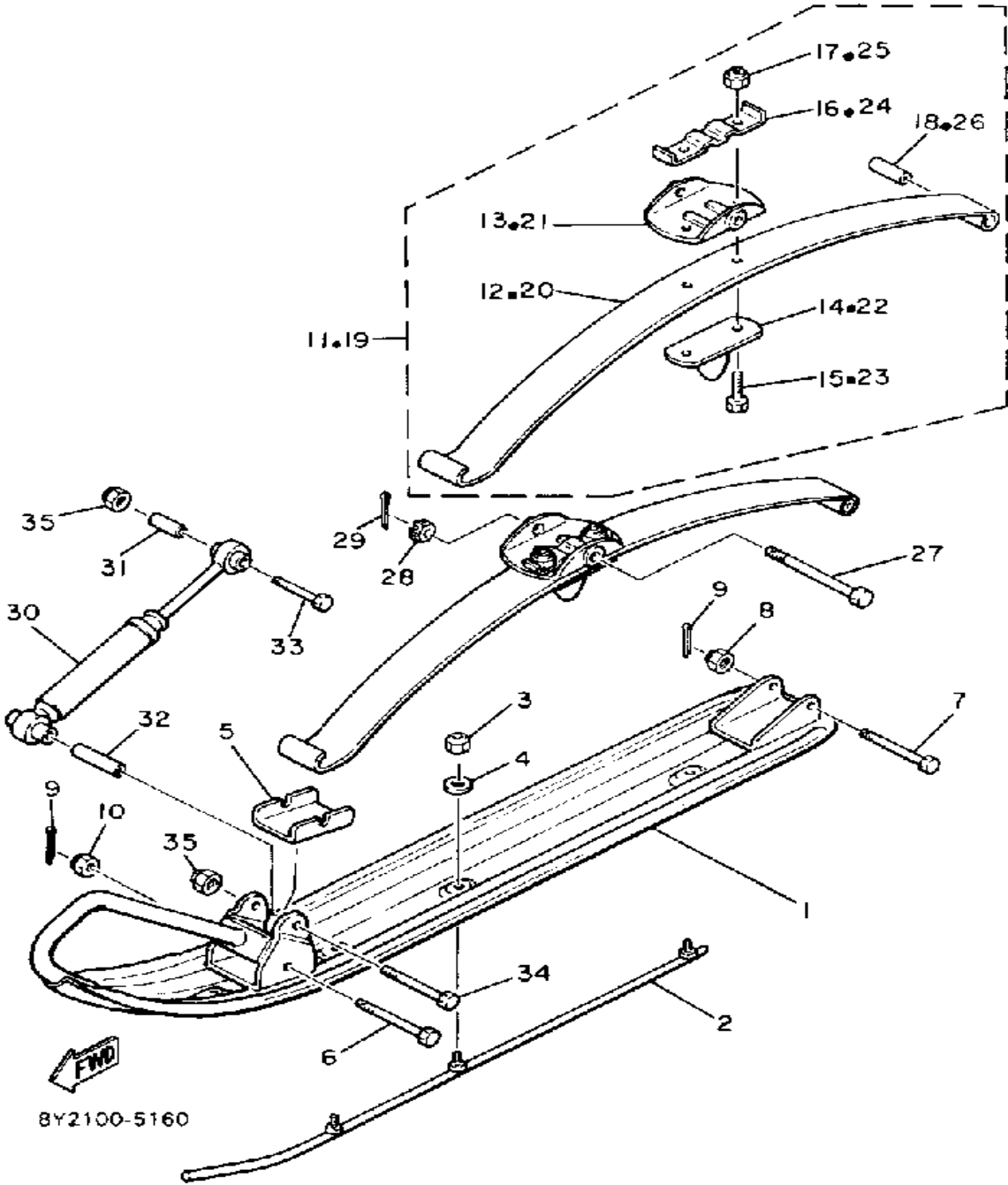


Ref. No.	Part Number	Description	Qty	Remarks
1	81L-23710-00-00	SKI 1	2	
2	8Y3-23731-00-XX	SKI RUNNER, 1 (8Y3-23731-00)	2	
3	95611-08100-00	NUT, U	6	
4	92990-08200-00	WASHER, PLAIN	6	
5	8K4-23735-00-00	PLATE, WEAR 1	2	
6	90102-08028-00	BOLT, WITH HOLE	2	
7	90102-08027-00	BOLT, WITH HOLE	2	
8	95712-08300-00	NUT, LOCK	2	
9	91490-20020-00	PIN, COTTER	4	
10	95611-08100-00	NUT, U	2	
11	8Y3-23760-00-00	SPRING ASSEMBLY 1	1	
12	8Y3-23761-00-00	. LEAF 1	1	
13	8G6-23766-00-00	. SADDLE 1	1	
14	878-23768-00-00	. SEAT, SPRING 1	1	
15	90109-105E7-00	. BOLT	2	
16	90215-10155-00	. WASHER, LOCK	1	
17	90185-10085-00	. NUT, SELF-LOCKING	2	
18	90387-08478-00	. COLLAR	1	
19	8Y3-23770-00-00	SPRING ASSEMBLY 2	1	
20	8Y3-23761-00-00	. LEAF 1	1	
21	8G6-23766-00-00	. SADDLE 1	1	
22	878-23768-00-00	. SEAT, SPRING 1	1	
23	90109-105E7-00	. BOLT	2	
24	90215-10155-00	. WASHER, LOCK	1	
25	90185-10085-00	. NUT, SELF-LOCKING	2	
26	90387-08478-00	. COLLAR	1	
27	90102-12030-00	BOLT, WITH HOLE	2	
28	90171-12040-00	NUT, CASTLE	2	
29	91401-30030-00	PIN, COTTER	2	

CONTINUED ON NEXT FRAME ➤

Property of [www.SmallEngineDiscount.com](http://www.SmallEngineDiscount.com) - Not for Resale

# SKI

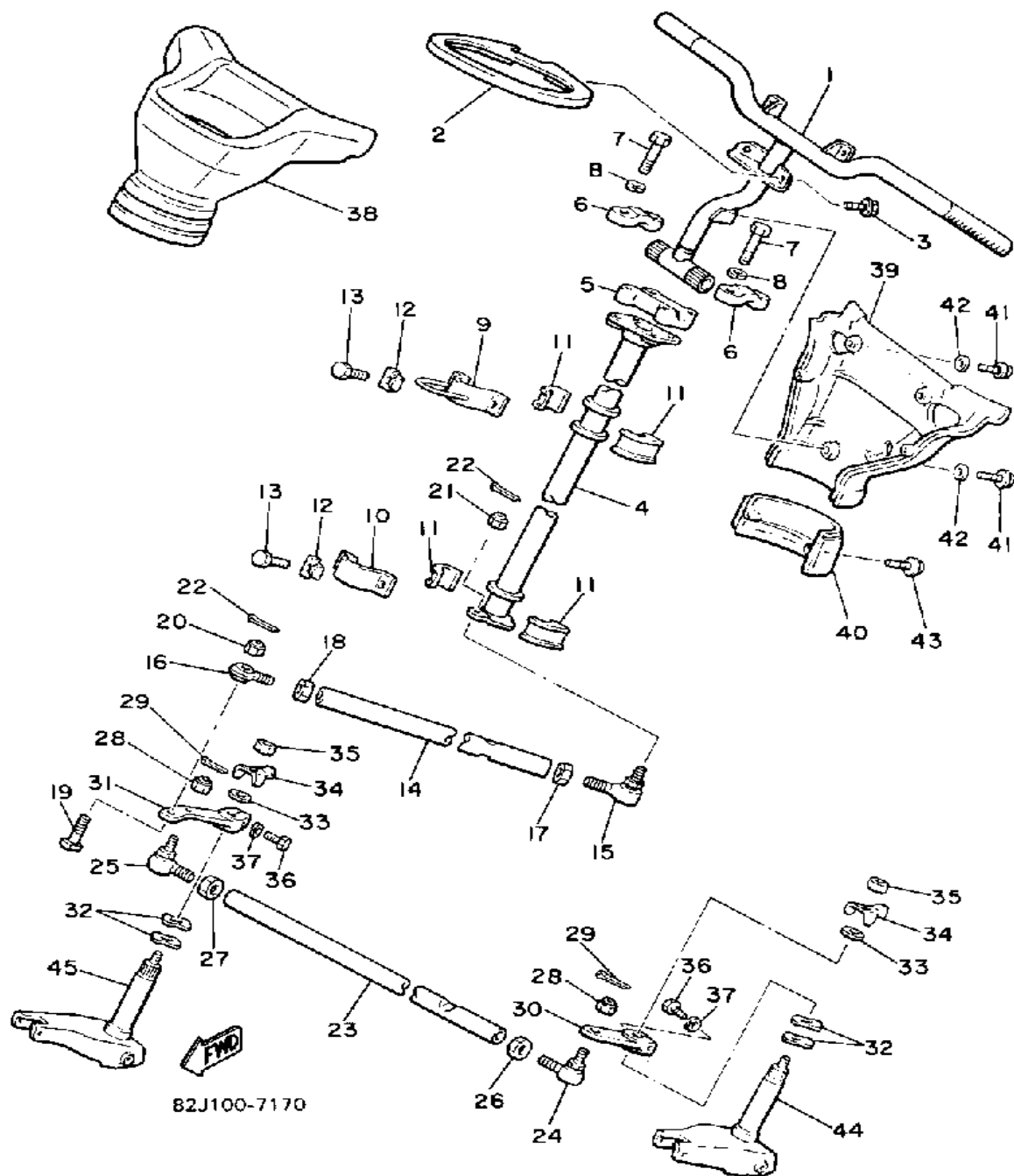


8Y2100-5160

Ref. No.	Part Number	Description	Qty	Remarks
30	8V8-23350-00-00	SHOCK ABSORBER ASSEMBLY	2	
31	90387-08262-00	COLLAR	2	
32	90387-08224-00	COLLAR	2	
33	97313-08055-00	BOLT, HEXAGON	2	
34	97013-08075-00	BOLT	2	
35	95712-08300-00	NUT, LOCK	4	

Property of [www.SmallEngineDiscount.com](http://www.SmallEngineDiscount.com) - Not for Resale

# STEERING

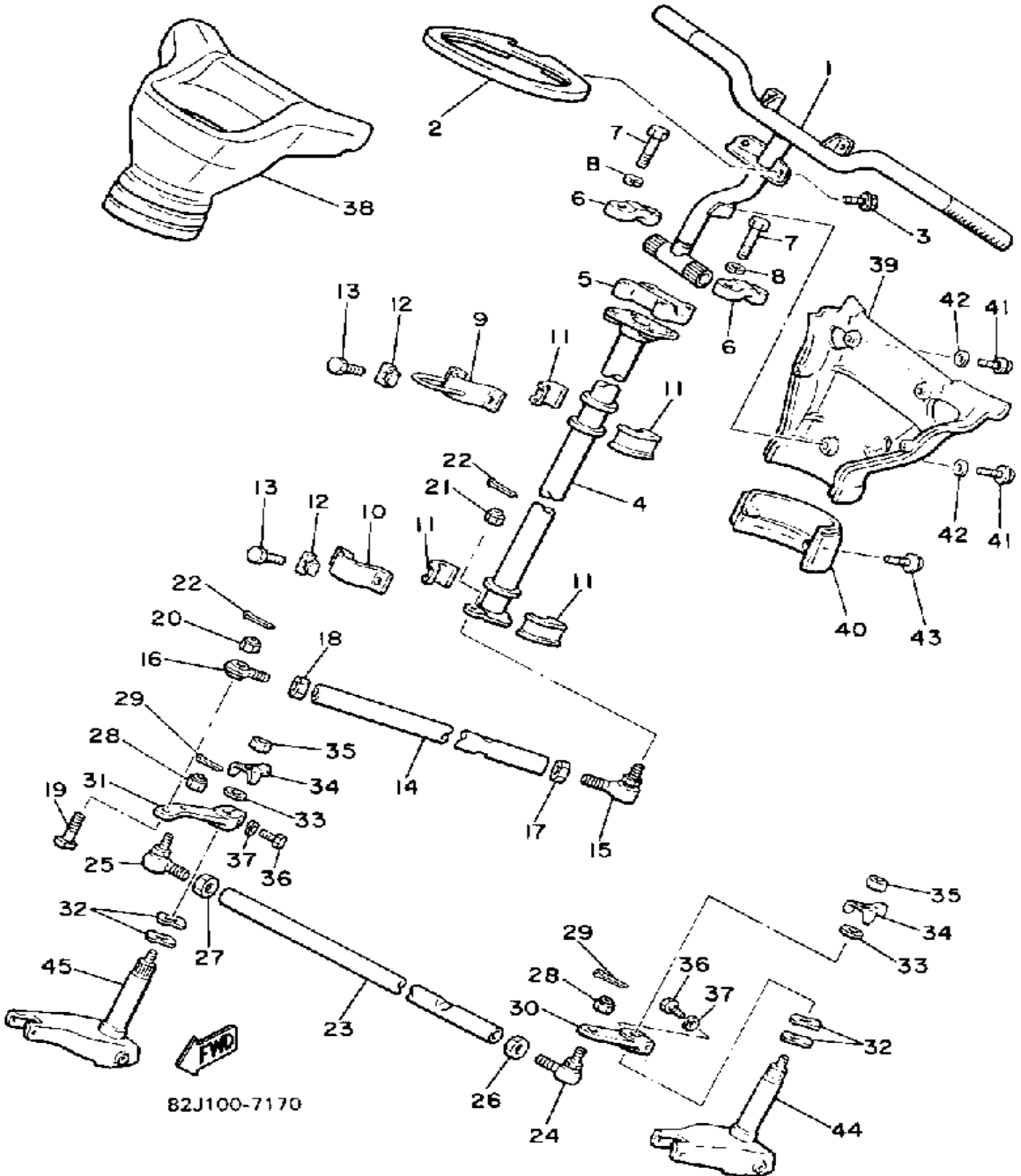


Ref. No.	Part Number	Description	Qty	Remarks
1	80Y-23811-00-00	COLUMN, STEERING	1	
2	8V0-23878-00-00	BRACKET 0	1	
3	95811-06010-00	BOLT, FLANGE	2	
4	8W6-23813-00-00	COLUMN, STEERING 2	1	
5	164-23441-00-98	HOLDER, HANDLE UPPER	1	
6	1E6-23441-00-00	HOLDER, HANDLE UPR	2	
7	97022-08055-00	BOLT	4	
8	92990-08100-00	WASHER	4	
9	8Y4-23872-00-00	HOLDER, BEARING	1	
10	84M-23868-00-00	BRACKET, STEERING LOWER	1	
11	8F3-23812-00-00	PLANE BEARING, STEERING	4	
12	90215-08262-00	WASHER, LOCK	4	
13	97011-08016-00	BOLT	4	
14	8G8-23821-00-00	ROD, STEERING RELAY	1	
15	86X-23841-00-00	JOINT, UNIVERSAL 1	1	
16	87S-23847-00-00	JOINT, UNIVERSAL 3	1	
17	95303-10700-00	NUT	1	
18	90170-10186-00	NUT	1	
19	90109-01482-00	UNAVAILABLE IN PRICE BOOK	1	
20	95701-10300-00	NUT, FLANGE (95702-10300)	1	
21	90185-10085-00	NUT, SELF-LOCKING	1	
22	91402-25018-00	PIN, COTTER	2	
23	8G8-23831-00-00	ROD, TIE	1	
24	86X-23841-00-00	JOINT, UNIVERSAL 1	1	
25	86X-23845-00-00	JOINT, UNIVERSAL 2	1	
26	95303-10700-00	NUT	1	
27	90170-10186-00	NUT	1	
28	95701-10300-00	NUT, FLANGE (95702-10300)	2	
29	91402-25018-00	PIN, COTTER	2	

CONTINUED ON NEXT FRAME ➤

Property of [www.SmallEngineDiscount.com](http://www.SmallEngineDiscount.com) - Not for Resale

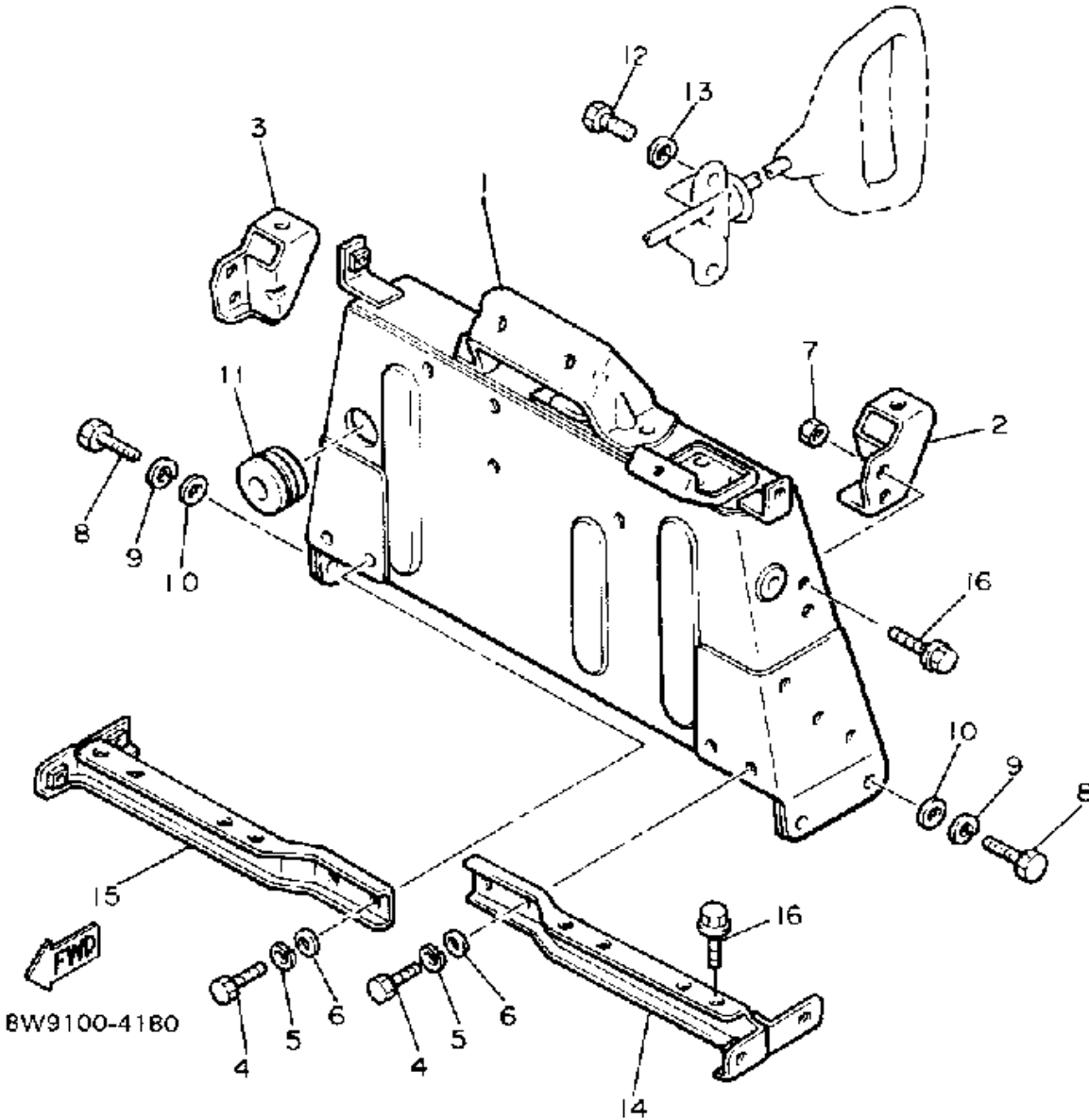
# STEERING



Ref. No.	Part Number	Description	Qty	Remarks
30	8F3-23851-00-00	ARM, OUTSIDE 1	1	
31	8F3-23852-00-00	ARM, OUTSIDE 2	1	
32	90206-20037-00	WASHER, WAVE	4	
33	90201-10752-00	WASHER, PLATE	2	
34	90215-10096-00	WASHER, LOCK	2	
35	95303-10600-00	NUT (95301-10600)	2	
36	97001-08025-00	BOLT (1NV)	2	
37	92990-08100-00	WASHER	2	
38	8Y3-23815-00-00	PAD, STEERING	1	
39	8Y3-23817-00-00	PAD, STEERING	1	
40	8Y3-23818-00-00	COVER, STEERING	1	
41	90159-05096-00	SCREW, WITH WASHER	3	
42	90201-05721-00	WASHER, PLATE	3	
43	90159-04095-00	SCREW, WITH WASHER	4	
44	83T-23853-00-00	COLUMN, SKI 1	1	
45	83T-23854-00-00	COLUMN, SKI 2	1	

Property of [www.SmallEngineDiscount.com](http://www.SmallEngineDiscount.com) - Not for Resale

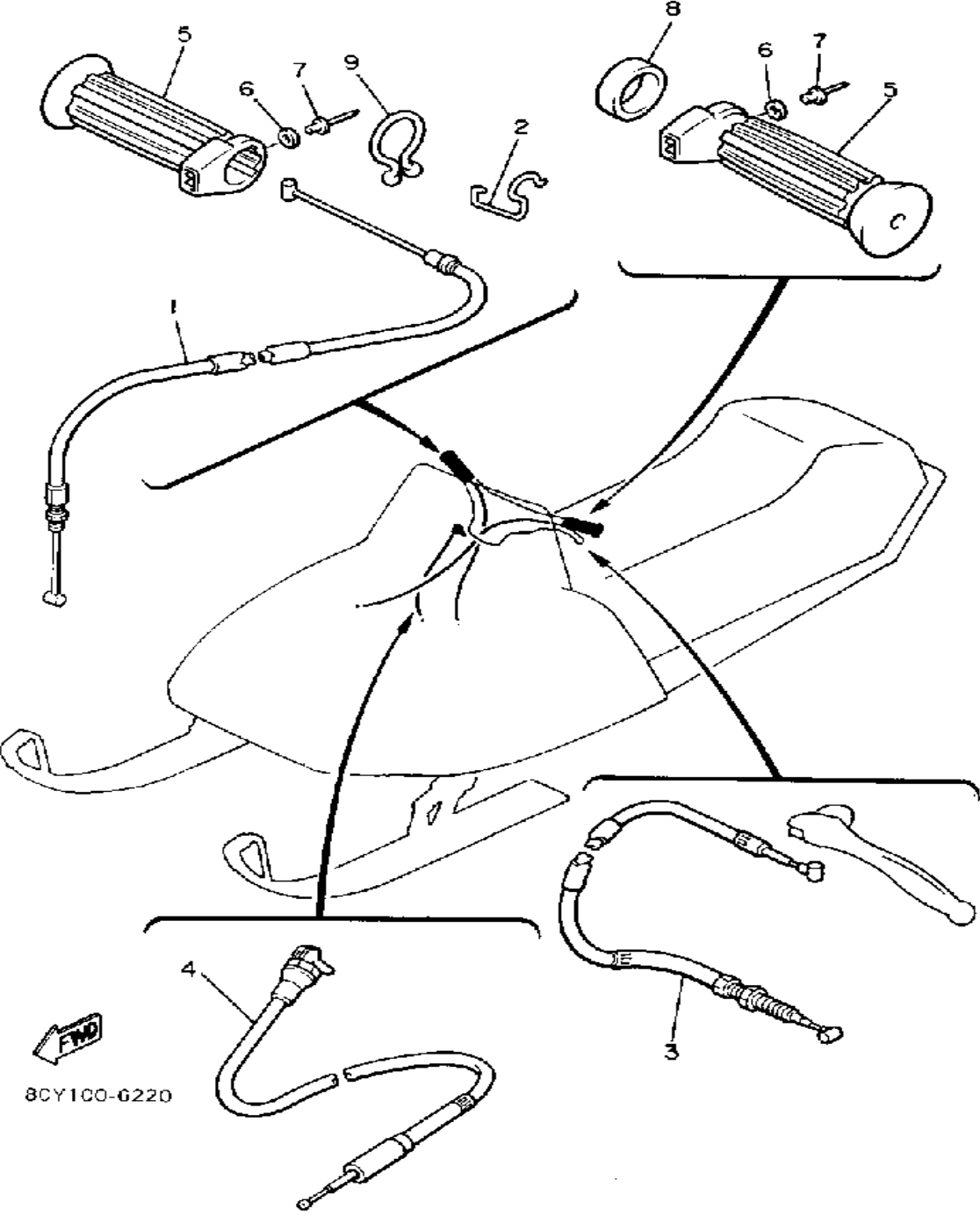
# STEERING GATE



Ref. No.	Part Number	Description	Qty	Remarks
1	8W6-23871-00-00	GATE, STEERING	1	
2	8W6-24115-00-00	STAY, FUEL TANK 1	1	
3	8W6-24116-00-00	STAY, FUEL TANK	1	
4	97313-06014-00	BOLT, HEXAGON	4	
5	92995-06100-00	WASHER, SPRING	4	
6	92990-06600-00	WASHER, PLATE	4	
7	95380-06600-00	NUT	4	
8	97313-08018-00	BOLT, HEXAGON (97301-08016)	4	
9	92990-08100-00	WASHER	4	
10	92901-08600-00	WASHER	4	
11	90480-28191-00	GROMMET	1	
12	97013-06012-00	BOLT	2	
13	92995-06100-00	WASHER, SPRING	2	
14	82A-23898-00-00	BRACKET 3	1	
15	82A-23899-00-00	BRACKET 4	1	
16	95811-06012-00	BOLT, FLANGE	14	

Property of [www.SmallEngineDiscount.com](http://www.SmallEngineDiscount.com) - Not for Resale

# CONTROL - CABLE

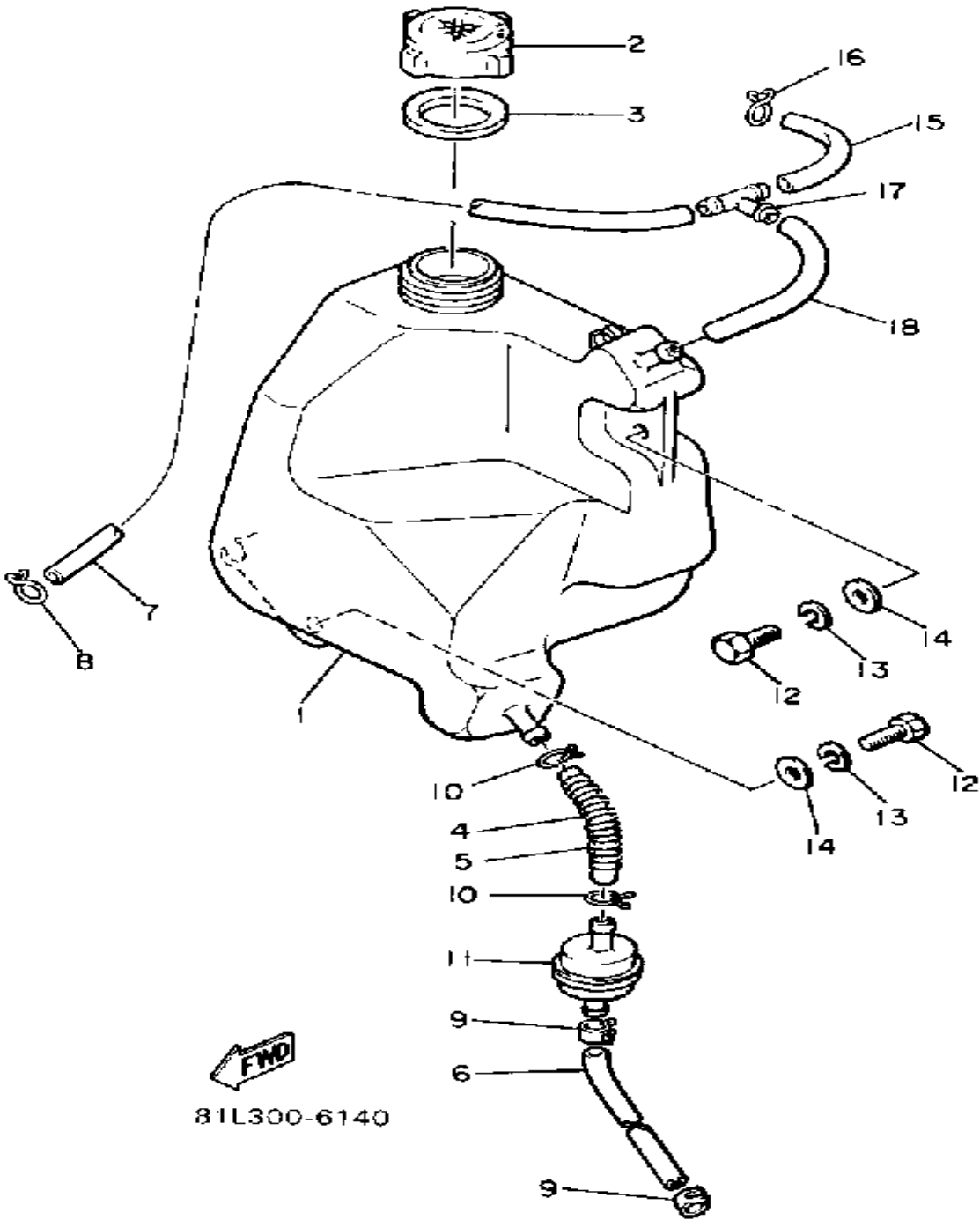


Ref. No.	Part Number	Description	Qty	Remarks
1	8X0-26311-01-00	CABLE, THROTTLE 1	1	
2	90465-10189-00	CLAMP	1	
3	8F3-26340-01-00	CABLE, BRAKE	1	
4	8W6-26331-01-00	CABLE, STARTER 1	1	
5	80K-2626A-00-00	GRIP, WARMER	2	
6	80Y-23843-00-00	WASHER, PLAIN	1	
7	90267-40076-00	RIVET, BLIND	2	
8	90387-22726-00	COLLAR	1	
9	90464-23041-00	CLAMP	1	

Property of [www.SmallEngineDiscount.com](http://www.SmallEngineDiscount.com) - Not for Resale



# OIL TANK

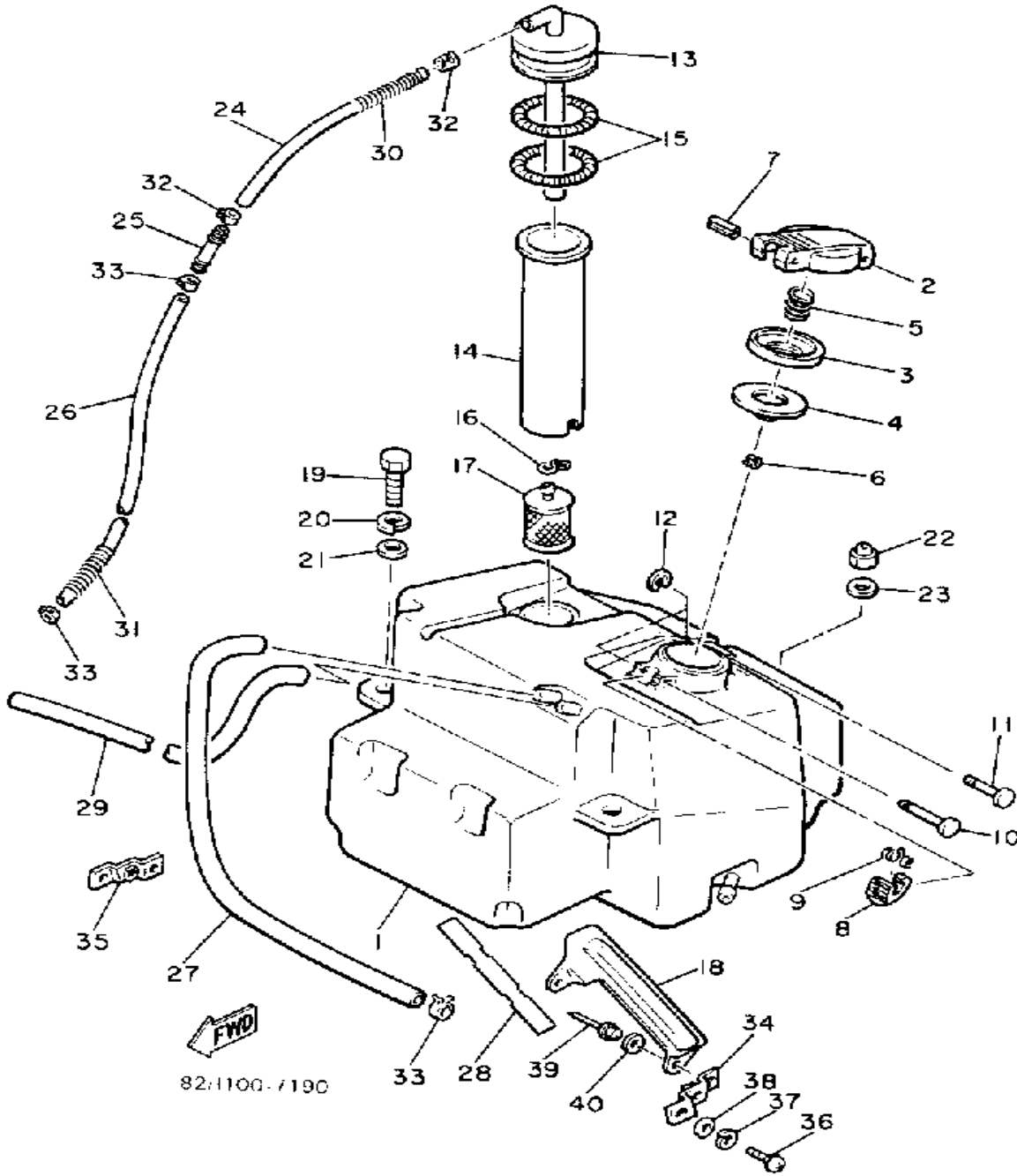


Ref. No.	Part Number	Description	Qty	Remarks
1	83R-21751-00-00	TANK, OIL .....	1	
2	863-21771-00-00	BODY, CAP .....	1	
3	90430-31003-00	GASKET .....	1	
4	90446-11081-00	HOSE .....	1	
5	8H8-24327-00-00	PROTECTOR, PIPE .....	1	
6	90446-09067-00	HOSE .....	1	
7	90446-09155-00	HOSE .....	1	
8	90464-23041-00	CLAMP .....	1	
9	90467-09026-00	CLIP .....	2	
10	90467-11009-00	CLIP .....	2	
11	8G8-13410-00-00	STRAINER HOUSING ASSEMBLY .....	1	
12	97313-08020-00	BOLT, HEXAGON .....	2	
13	92990-08100-00	WASHER .....	2	
14	92990-08200-00	WASHER, PLAIN .....	2	
15	90446-09232-00	HOSE .....	1	
16	90467-09026-00	CLIP .....	1	
17	801-24376-00-00	PIPE, JOINT 1 .....	1	
18	90446-09065-00	HOSE .....	1	

81L300-6140

Property of [www.SmallEngineDiscount.com](http://www.SmallEngineDiscount.com) - Not for Resale

# FUEL TANK

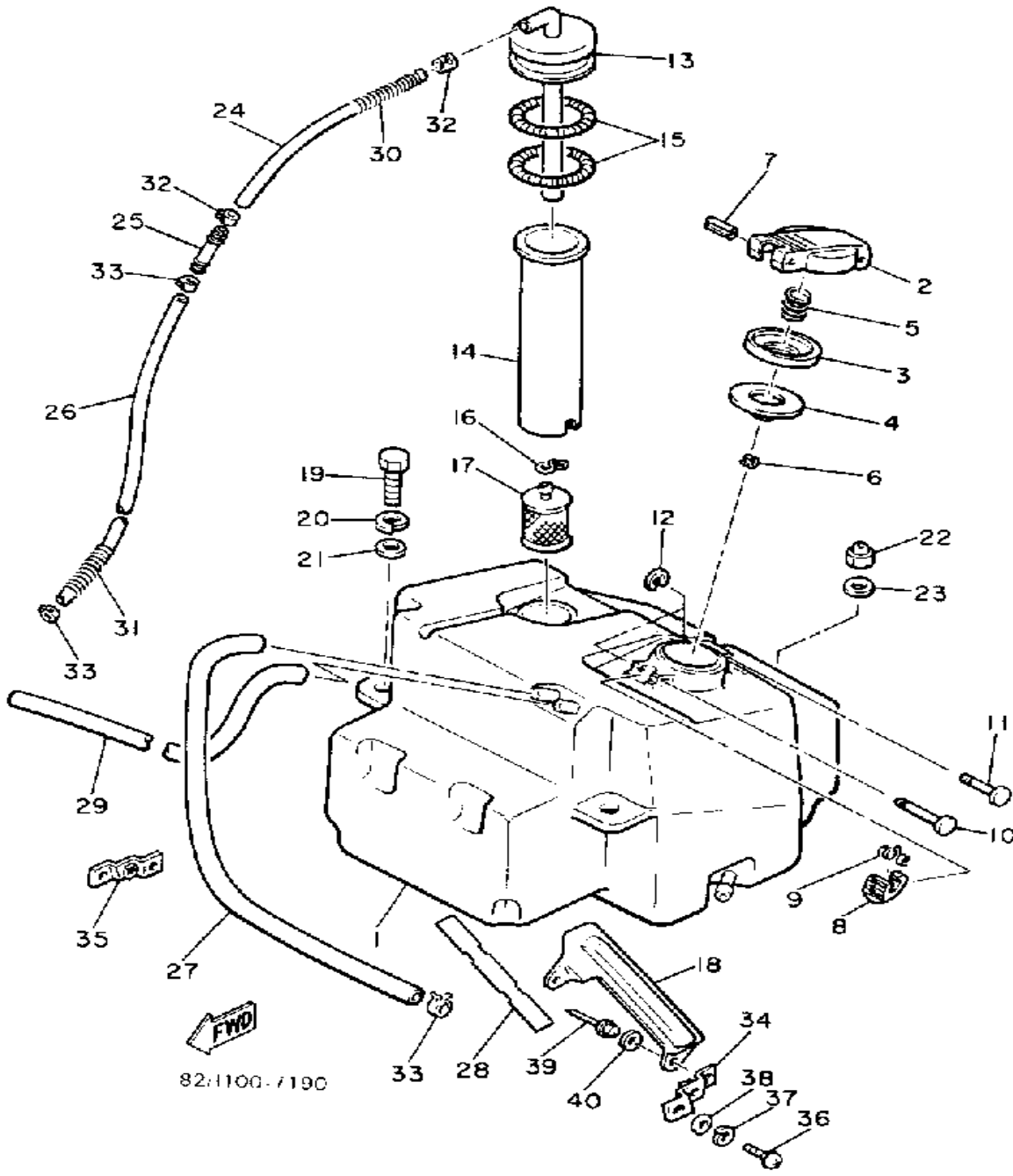


Ref. No.	Part Number	Description	Qty	Remarks
1	8W6-24111-00-00	FUEL TANK .....	1	
2	8W6-24611-00-00	BODY, CAP .....	1	
3	813-24613-01-00	DISC, CAP .....	1	
4	8F7-24641-00-00	GASKET, CAP 1 .....	1	
5	90501-20130-00	SPRING, COMPRESSION .....	1	
6	91609-30016-00	PIN, SPRING .....	1	
7	91609-25050-00	PIN, SPRING .....	1	
8	83M-24628-00-00	HOOK .....	1	
9	90508-10715-00	SPRING, TORSION .....	1	
10	90249-03017-00	PIN .....	1	
11	90249-03175-00	PIN .....	1	
12	93430-02001-00	CIRCLIP .....	2	
13	83R-24335-00-00	PIPE, SUCTION 1 .....	1	
14	8V0-24336-00-00	PIPE, SUCTION 2 .....	1	
15	90506-06065-00	SPRING, TENSION .....	2	
16	90467-11028-00	CLIP .....	1	
17	8H5-24560-00-00	FILTER ASSEMBLY .....	1	
18	8W6-24179-00-00	GAUGE, FUEL .....	1	
19	97001-08025-00	BOLT (1NV) .....	2	
20	92990-08100-00	WASHER .....	2	
21	90201-087A9-00	WASHER, PLATE .....	2	
22	95712-08300-00	NUT, LOCK .....	1	
23	90201-087A9-00	WASHER, PLATE .....	1	
24	90446-11247-00	HOSE .....	1	
25	8Y4-24376-00-00	PIPE, JOINT 1 .....	1	
26	90446-09062-00	HOSE .....	1	
27	90446-09231-00	HOSE .....	1	
28	80X-7716E-00-00	REFLECTOR 1 .....	1	
29	90446-09015-00	HOSE .....	1	

CONTINUED ON NEXT FRAME ➤

Property of [www.SmallEngineDiscount.com](http://www.SmallEngineDiscount.com) - Not for Resale

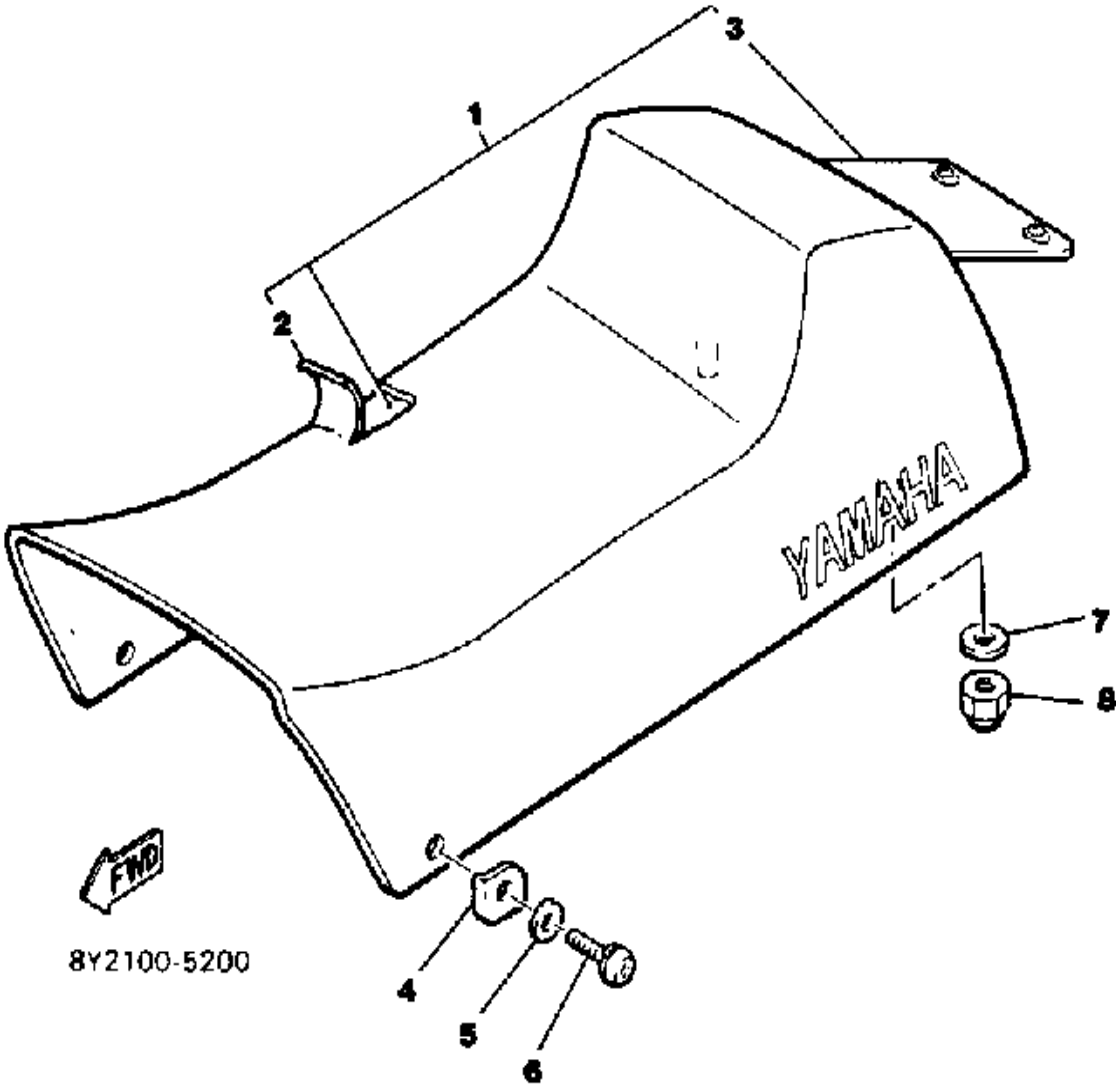
# FUEL TANK



Ref. No.	Part Number	Description	Qty	Remarks
30	8F3-24326-00-00	PROTECTOR, PIPE .....	1	
31	8G5-24328-00-00	PROTECTOR, PIPE .....	1	
32	90467-11028-00	CLIP .....	2	
33	90467-09026-00	CLIP .....	3	
34	8W6-77721-00-00	BRACKET 1 .....	1	
35	8W6-77722-00-00	BRACKET 2 .....	1	
36	98506-06014-00	SCREW, PAN HEAD (92506-06014) .....	3	
37	92906-06100-00	WASHER, SPRING .....	3	
38	92906-06600-00	WASHER .....	3	
39	90267-48053-00	RIVET, BLIND .....	1	
40	90201-04325-00	WASHER, PLATE .....	1	

Property of [www.SmallEngineDiscount.com](http://www.SmallEngineDiscount.com) - Not for Resale

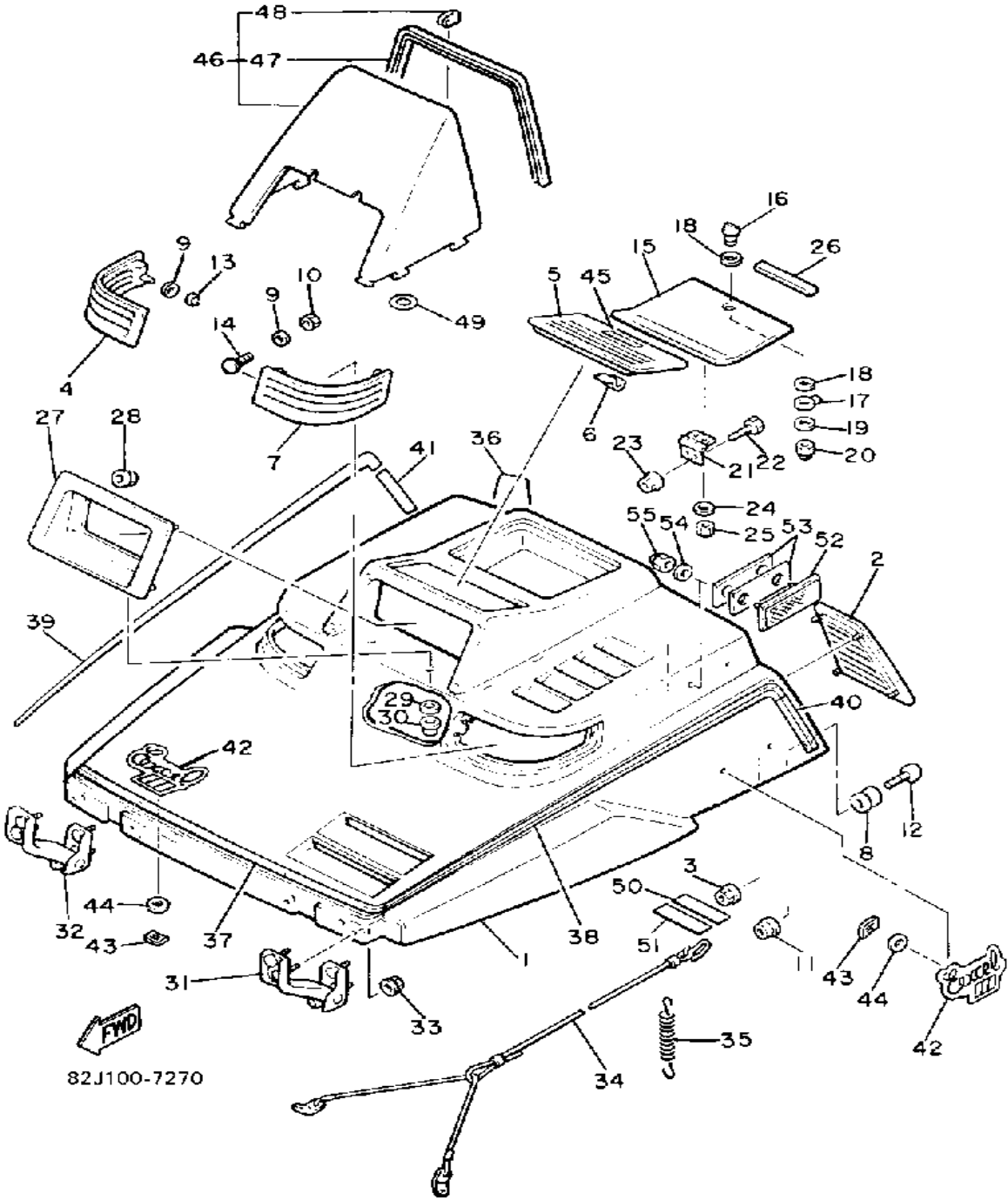
# SEAT



Ref. No.	Part Number	Description	Qty	Remarks
1	8Y3-24710-00-00	SINGLE SEAT ASSEMBLY	1	
2	82H-24711-00-00	. COVER, SINGLE SEAT	1	
3	8Y3-77377-00-00	. COVER, LUGGE BOX 2	1	
4	90214-14037-00	WASHER, CLAW	2	
5	90201-063J2-00	WASHER, PLATE	2	
6	90157-06070-00	SCREW, PAN HEAD	2	
7	90201-08748-00	WASHER, PLATE	2	
8	95712-08300-00	NUT, LOCK	2	

Property of [www.SmallEngineDiscount.com](http://www.SmallEngineDiscount.com) - Not for Resale

# SHROUD - WINDSHIELD

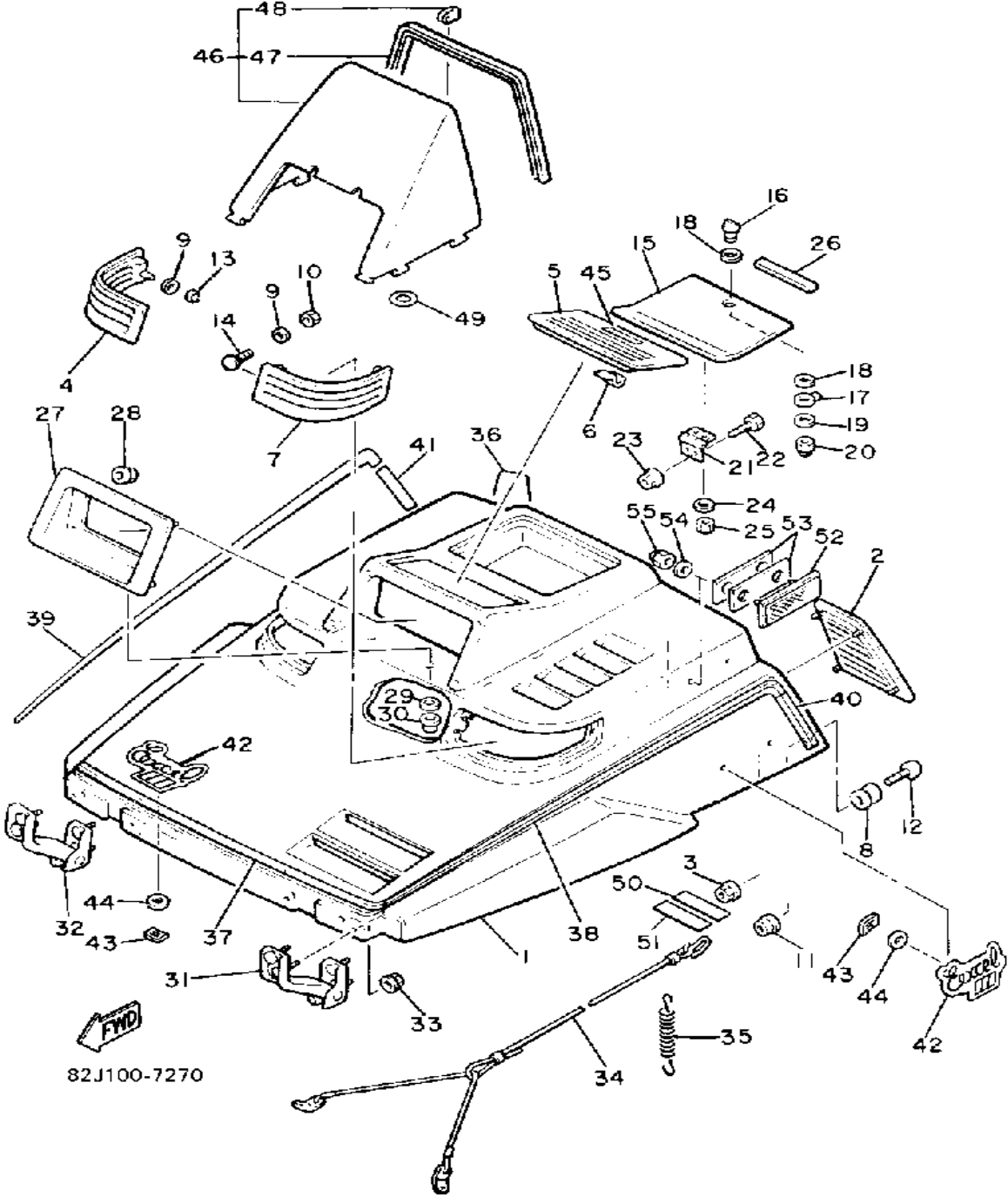


Ref. No.	Part Number	Description	Qty	Remarks
1	82J-W7711-00-00	SHROUD ASSEMBLY	1	
2	8Y3-77131-00-00	LOUVER 1	1	
3	95701-05500-00	NUT, FLANGE	4	
4	82J-77133-00-00	LOUVER 3	1	
5	8Y3-77134-00-00	LOUVER 4	1	
6	90468-05094-00	CLIP	4	
7	82J-77109-00-00	LOUVER 5	1	
8	8M6-77175-00-00	HOLDER, LATCH	2	
9	90201-05036-00	WASHER, PLATE	4	
10	95701-05300-00	NUT, NYLON	4	
11	95701-06500-00	NUT, FLANGE	2	
12	98906-06030-00	SCREW, BIND	2	
13	90183-04012-00	NUT, SPRING	2	
14	90109-051E9-00	BOLT	4	
15	8Y3-77392-00-00	COVER, LUGGAGE BOX	1	
16	8L9-77324-00-00	KNOB	1	
17	8K4-77328-00-00	LEVER, arm fitting	1	
18	90201-10119-00	WASHER, PLATE	2	
19	90201-05725-00	WASHER, PLATE	1	
20	95706-05300-00	NUT, nylon	1	
21	8K4-77470-00-00	HINGE ASSEMBLY	2	
22	97006-05014-00	BOLT	4	
23	95701-05500-00	NUT, FLANGE	4	
24	92906-05200-00	WASHER, PLAIN	4	
25	95306-05800-00	NUT (CROWN)	4	
26	8W6-77374-00-00	DAMPER 2	1	
27	8Y3-84311-00-00	BODY, HEADLIGHT	1	
28	95701-05500-00	NUT, FLANGE	4	
29	90201-04325-00	WASHER, PLATE	2	

CONTINUED ON NEXT FRAME ➤

Property of [www.SmallEngineDiscount.com](http://www.SmallEngineDiscount.com) - Not for Resale

# SHROUD - WINDSHIELD

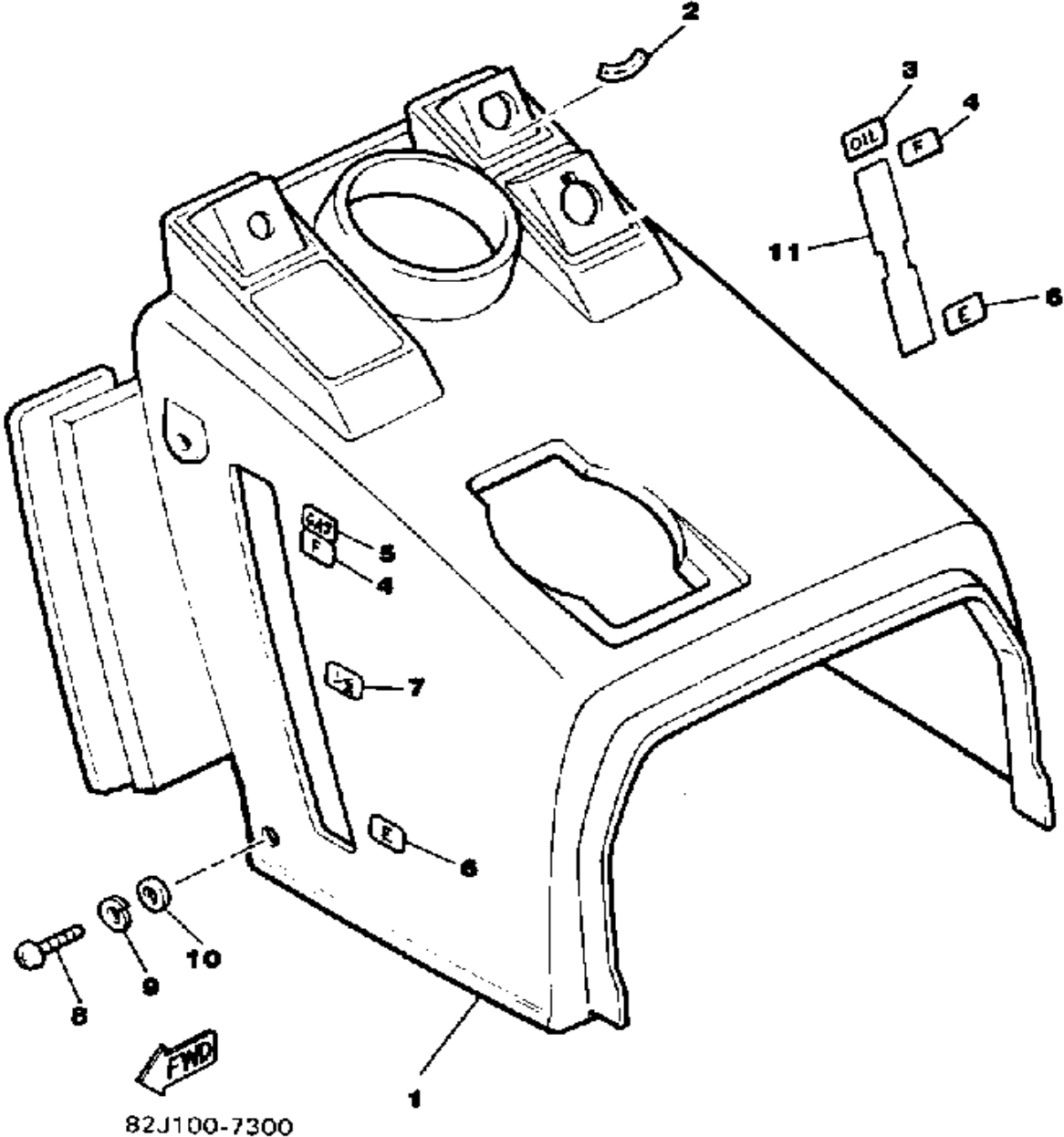


Ref. No.	Part Number	Description	Qty	Remarks
30	90183-04012-00	NUT, SPRING	2	
31	8W6-77140-00-00	HINGE ASSEMBLY	1	
32	8W6-7714A-00-00	HINGE ASSEMBLY 2	1	
33	95701-06500-00	NUT, FLANGE	8	
34	80X-77118-00-00	STOPPER, SHROUD	1	
35	80X-77159-00-00	CLAMP, ROD	1	
36	8Y2-77458-00-00	LABEL, WARNING	1	U.R.
37	82J-77163-00-00	ORNAMENT 1	1	
38	82J-77164-00-00	ORNAMENT 2	1	
39	82J-77169-00-00	ORNAMENT 3	1	
40	82J-77113-00-00	ORNAMENT 4	1	
41	82J-77114-00-00	ORNAMENT 5	1	
42	8W8-77351-00-00	EMBLEM 1	3	
43	90183-04005-00	NUT, SPRING	6	
44	90202-04003-00	WASHER, PLATE	6	
45	25G-21783-00-00	EMBLEM 3	1	
46	8X1-77210-00-00	WIND SHIELD (CLEAR)	1	
47	87K-77213-00-00	. TRIM, UPPER	1	
48	80V-77223-00-00	. FASTENER	2	
49	82H-77223-00-00	FASTNER	6	
50	80X-1417E-00-00	LABEL, CAUTION	1	
51	80X-47578-00-00	LABEL 1	1	
52	80E-85110-00-00	REFLECTOR ASSEMBLY	2	
53	80E-85115-00-00	BASE, REFLECTOR	4	
54	92901-05600-00	WASHER, PLATE	4	
55	95701-05300-00	NUT, NYLON	4	

Property of [www.SmallEngineDiscount.com](http://www.SmallEngineDiscount.com) - Not for Resale



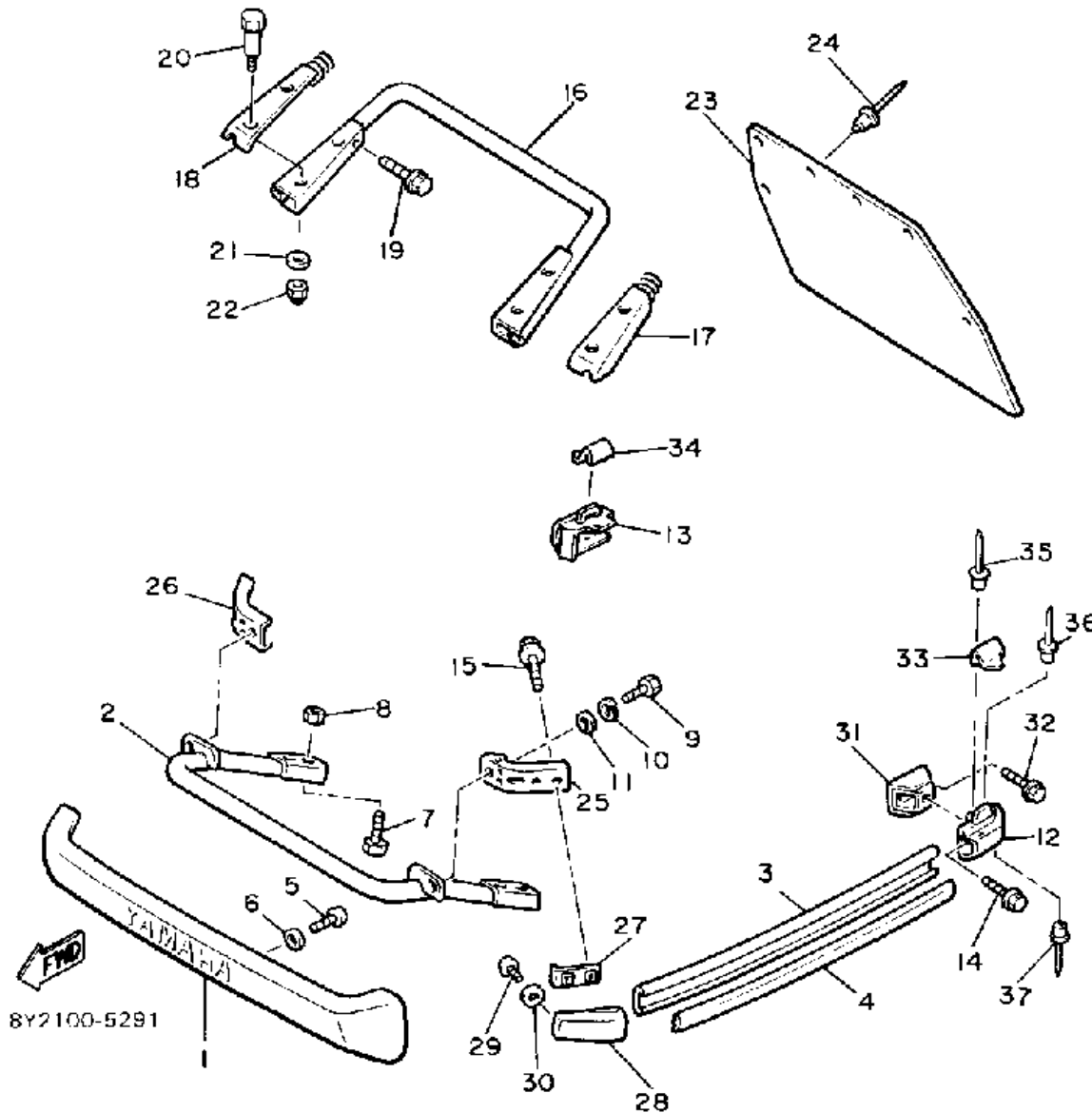
# INSTRUMENT PANEL



Ref. No.	Part Number	Description	Qty	Remarks
1	80Y-77711-00-00	PANEL, INSTRUMENT .....	1	
2	8U9-77742-00-00	INDICATOR 2 .....	1	
3	8G8-77742-00-00	INDICATOR 2 .....	1	
4	878-77744-00-00	INDICATOR 4 .....	2	
5	8A1-77743-00-00	INDICATOR 3 .....	1	
6	878-77745-00-00	INDICATOR 5 .....	2	
7	8A1-77744-00-00	INDICATOR 4 .....	1	
8	98586-05016-00	SCREW, PAN HEAD .....	4	
9	92906-05100-00	WASHER, SPRING .....	4	
10	90201-05721-00	WASHER, PLATE .....	4	
11	80X-7716F-00-00	REFLECTOR 2 .....	1	

Property of [www.SmallEngineDiscount.com](http://www.SmallEngineDiscount.com) - Not for Resale

# BUMPER

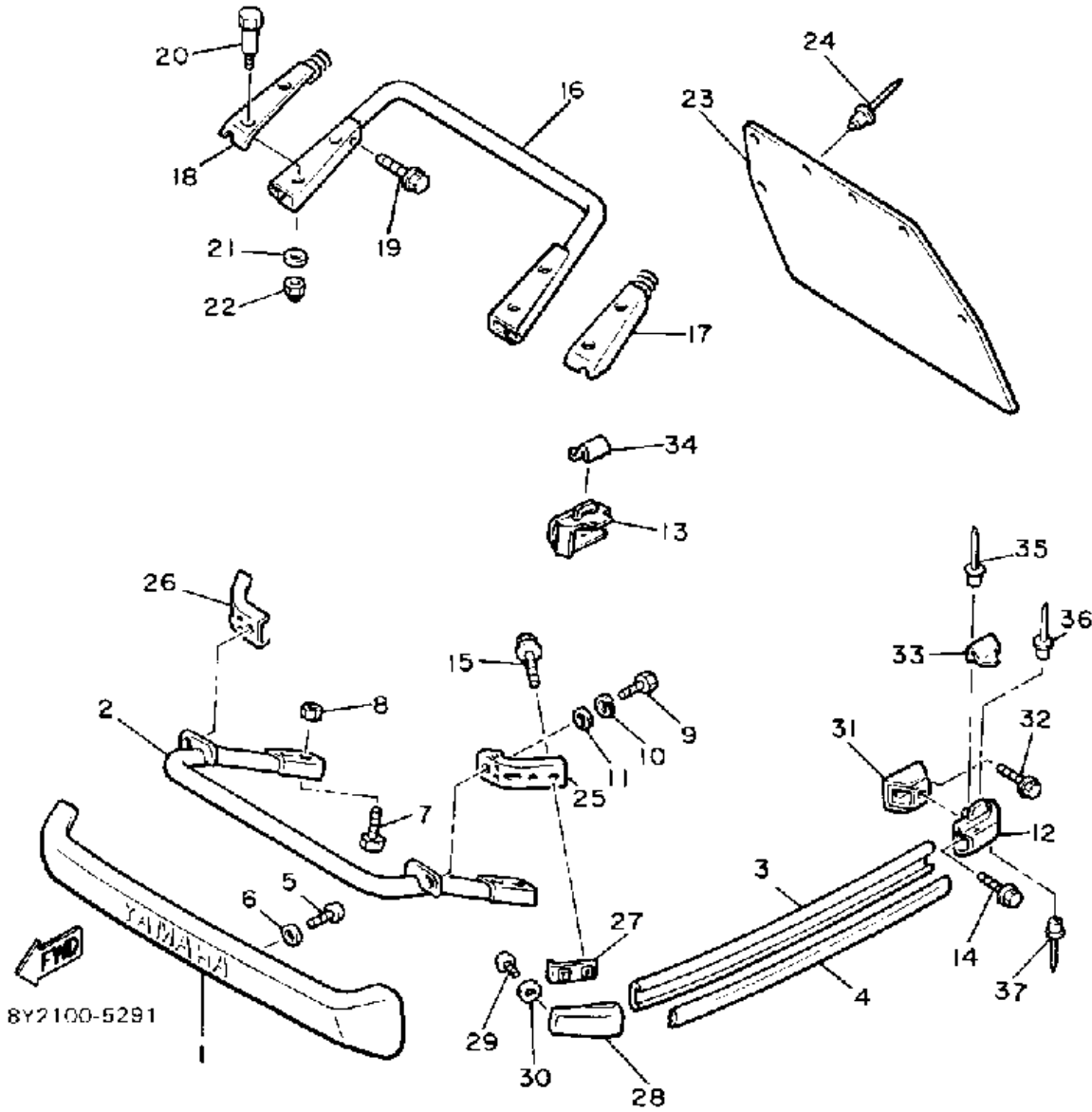


Ref. No.	Part Number	Description	Qty	Remarks
1	82J-77511-00-00	BUMPER, FRONT 1	1	
2	8W6-77512-00-00	BUMPER, FRONT 2	1	
3	8Y3-77513-00-00	BUMPER, FRONT 3	2	
4	8X0-77514-00-00	BUMPER, FRONT 4	2	
5	97780-60116-00	SCREW, TAPPING	5	
6	92990-06200-00	WASHER	5	
7	95816-08035-00	BOLT, FLANGE	4	
8	95616-08100-00	NUT, U	4	
9	97016-08016-00	BOLT	2	
10	92906-08100-00	WASHER, SPRING	2	
11	92906-08600-00	WASHER	2	
12	8X0-77523-00-00	END, BUMPER	1	
13	8X0-77524-00-00	END, BUMPER	1	
14	95811-08030-00	BOLT, FLANGE	2	
15	95811-06025-00	BOLT, FLANGE	4	
16	8W6-77541-00-00	BUMPER, REAR 1	1	
17	8W6-77542-00-00	BUMPER, REAR 2	1	
18	8W6-77543-00-00	BUMPER, REAR 3	1	
19	95811-08012-00	BOLT, FLANGE	4	
20	8W6-77519-00-00	BOLT	4	
21	92906-05200-00	WASHER, PLAIN	4	
22	95306-05800-00	NUT (CROWN)	4	
23	8X9-77595-00-00	FLAP	1	
24	90267-48086-00	RIVET, BLIND	5	
25	80M-77531-00-00	BRACKET, FRONT L	1	
26	80M-77532-00-00	BRACKET, FRONT R	1	
27	8X0-77527-00-00	PLATE, BACK UP	2	
28	8X0-77551-00-00	PROTECTOR 1	2	
29	98580-06010-00	SCREW, PAN HEAD (92503-06010)	2	

CONTINUED ON NEXT FRAME ➤

Property of [www.SmallEngineDiscount.com](http://www.SmallEngineDiscount.com) - Not for Resale

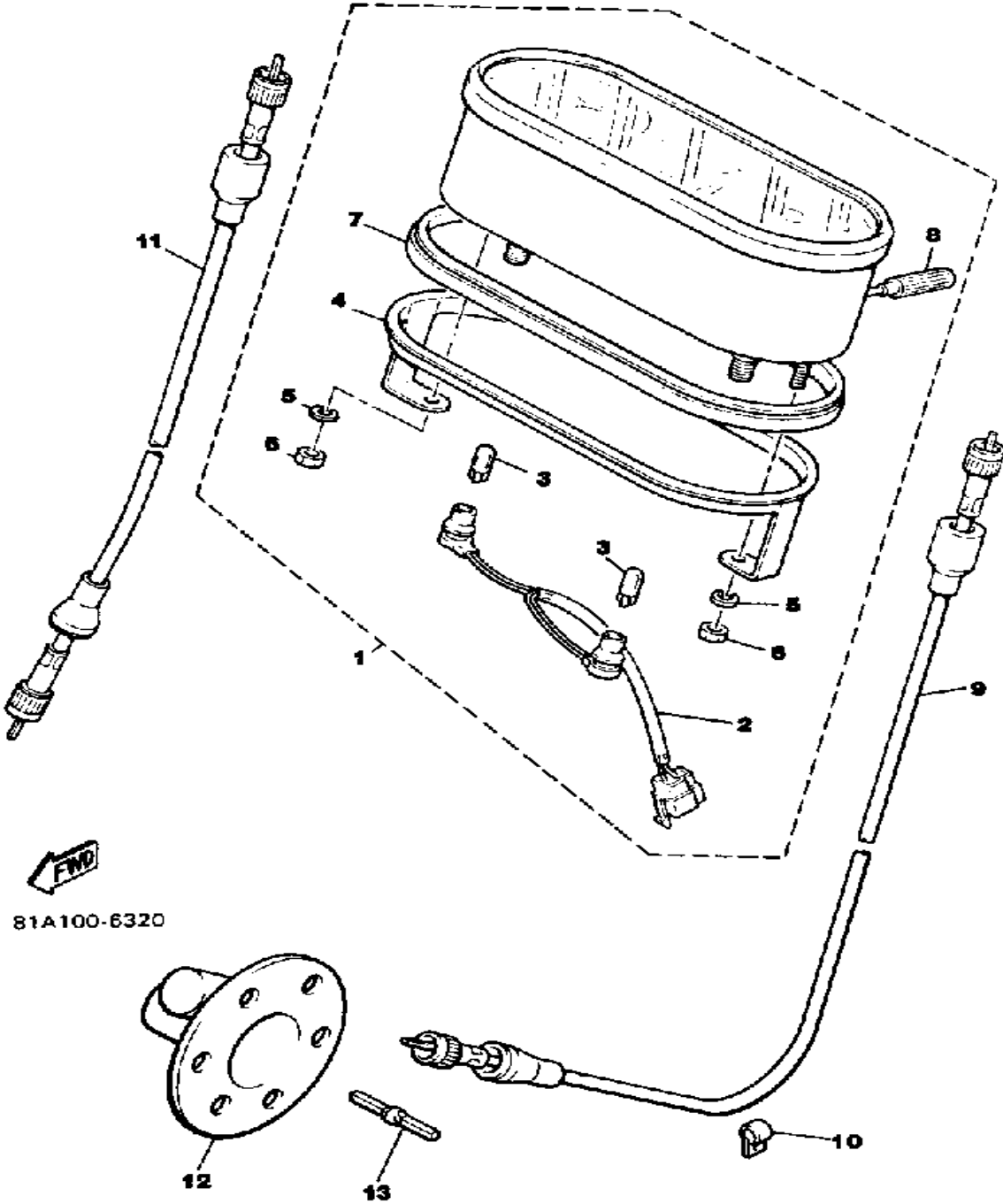
# BUMPER



Ref. No.	Part Number	Description	Qty	Remarks
30	92990-06600-00	WASHER, PLATE .....	2	
31	8X0-77535-00-00	STAY 1 .....	2	
32	95811-06012-00	BOLT, FLANGE .....	4	
33	8X0-77515-00-00	BUSH, RUBBER 1 .....	1	
34	8X0-77516-00-00	BUSH, RUBBER 2 .....	1	
35	90267-48086-00	RIVET, BLIND .....	2	
36	90267-48053-00	RIVET, BLIND .....	2	
37	90269-05039-00	RIVET .....	2	

Property of [www.SmallEngineDiscount.com](http://www.SmallEngineDiscount.com) - Not for Resale

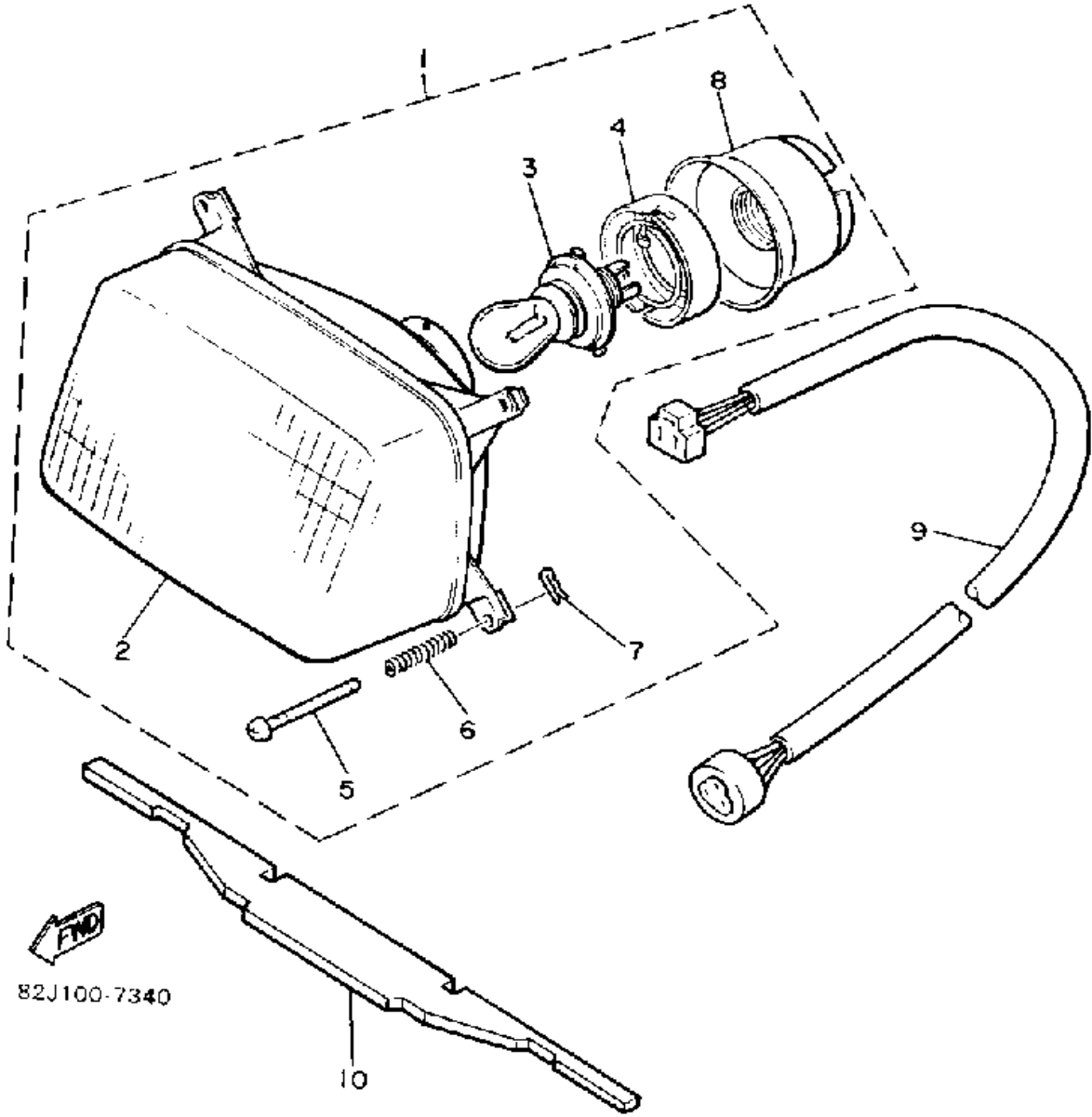
# METER



Ref. No.	Part Number	Description	Qty	Remarks
1	81R-83500-40-00	SPEEDOMETER ASSEMBLY ..	1	MILE/H
2	8V0-83536-00-00	. SOCKET, METER .....	1	
3	4G1-84744-00-00	. BULB, MTR.12V3.4W .....	2	
4	8K4-83519-01-00	. BRACKET, METER .....	1	
5	92990-05100-00	. WASHER, SPRING .....	2	
6	95380-05600-00	. NUT .....	2	
7	8K4-83513-00-00	. DAMPER .....	1	
8	8L8-83578-00-00	. KNOB, TRIP METER .....	1	
9	813-83550-01-00	SPEEDOMETER CABLEASS'Y	1	
10	90465-08028-00	CLAMP .....	1	
11	839-83550-01-00	SPEEDOMETER CABLE .....	1	FOR TACHOMETER
12	8W6-47700-00-00	METER GEAR HOUSINGHOUSING COMP ...	1	
13	8K4-47715-00-00	JOINT .....	1	

Property of [www.SmallEngineDiscount.com](http://www.SmallEngineDiscount.com) - Not for Resale

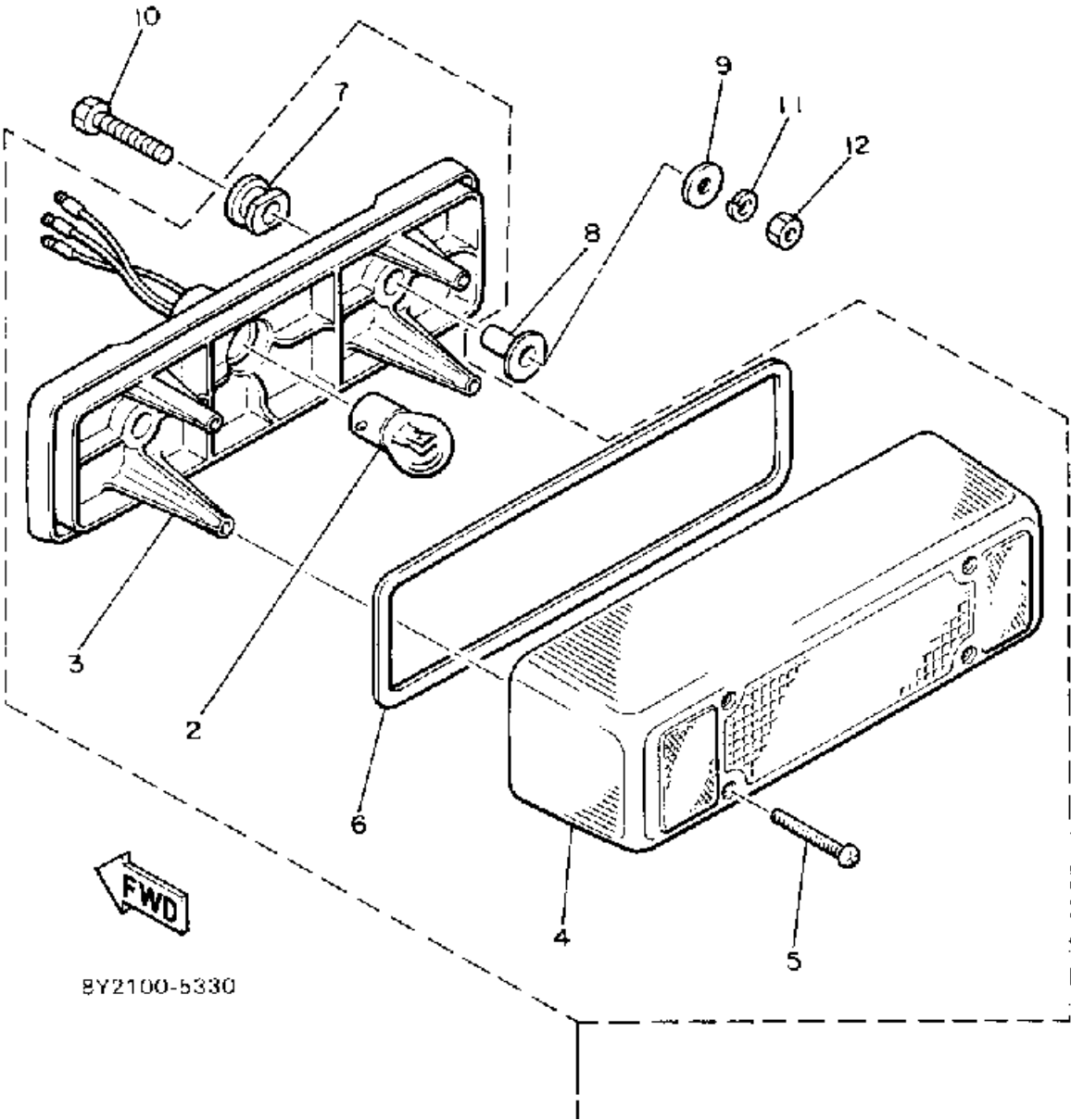
# HEADLIGHT



Ref. No.	Part Number	Description	Qty	Remarks
1	80Y-84310-00-00	HEADLIGHT UNIT ASSEMBLY	1	
2	8W6-84320-00-00	. LENS ASSEMBLY	1	
3	8A7-84314-00-00	. BULB (12V-60/60W)	1	
4	8A7-84312-00-00	. HOLDER, SOCKET	1	
5	8M6-84331-00-00	. SCREW, RIM ADJUSTING (8A5-84331-00-00)	4	
6	8A5-84332-00-00	. SPRING, SCREW	4	
7	8K4-84374-00-00	. CLIP	4	
8	8A7-84397-01-00	. COVER, SOCKET	1	
9	83W-84359-00-00	CORD, headlight	1	
10	8W6-84366-00-00	DAMPER, HEADLIGHT 1	1	

Property of [www.SmallEngineDiscount.com](http://www.SmallEngineDiscount.com) - Not for Resale

# TAILLIGHT

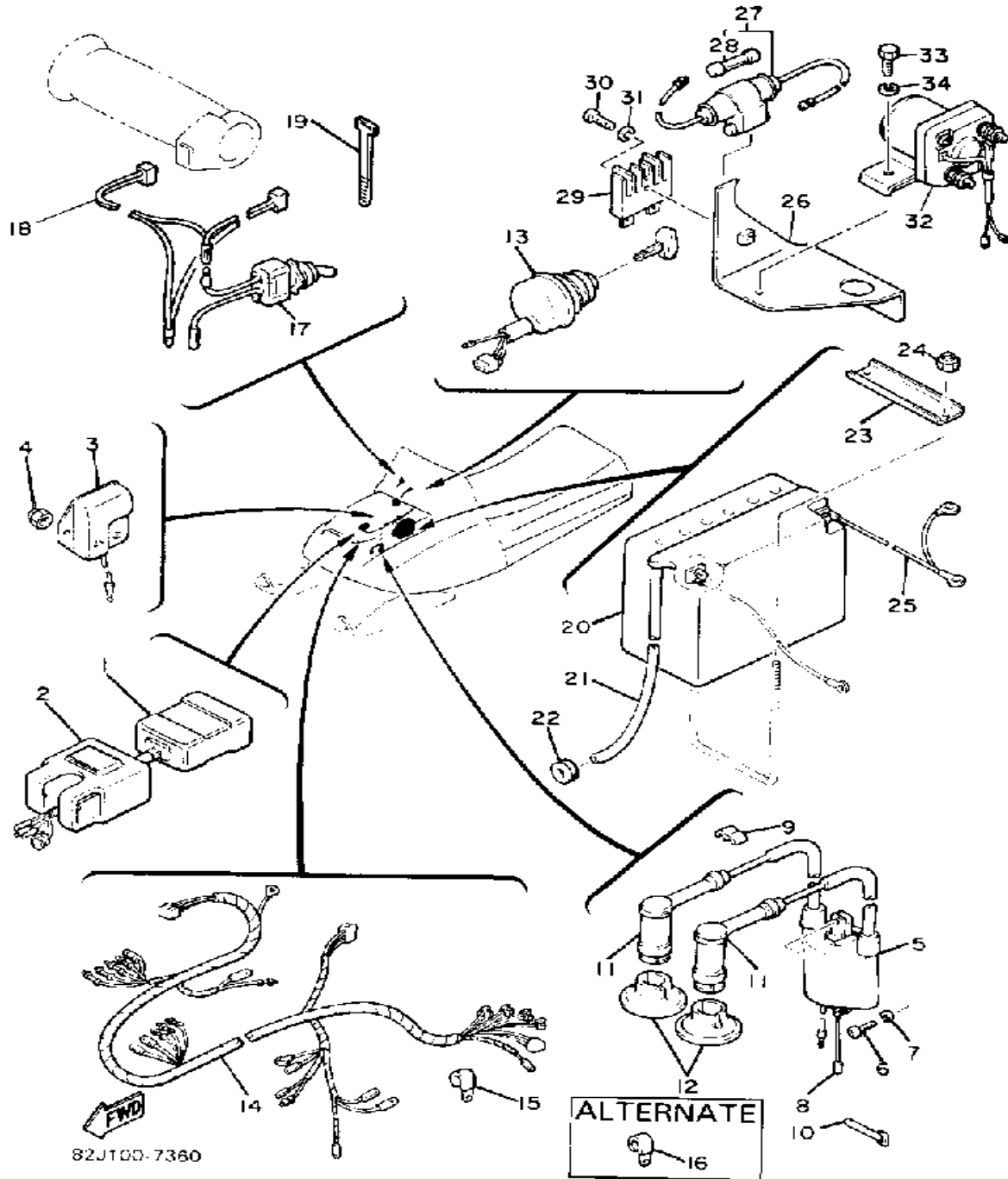


Ref. No.	Part Number	Description	Qty	Remarks
1	8K4-84710-00-00	TAILLIGHT UNIT ASSEMBLY ..	1	
2	137-84714-61-00	. BULB, TL 12V23/8W (J50-83311-00) .....	1	
3	8K4-84711-00-00	. BASE, TAILLIGHT .....	1	
4	8K4-84721-00-00	. LENS, TAILLIGHT .....	1	
5	97780-40130-00	. SCREW, PANHEAD TAPPING (97701-40130-00) .....	4	
6	87M-84723-00-00	. GASKET, TAIL LENS .....	1	
7	8K4-84718-00-00	. GROMMET .....	2	
8	90387-066N1-00	COLLAR .....	2	
9	90201-06407-00	WASHER, PLATE (90201-06747-00) .....	4	
10	97013-06035-00	BOLT .....	2	
11	92995-06100-00	WASHER, SPRING .....	2	
12	95380-06600-00	NUT .....	2	

Property of [www.SmallEngineDiscount.com](http://www.SmallEngineDiscount.com) - Not for Resale



# ELECTRICAL 1

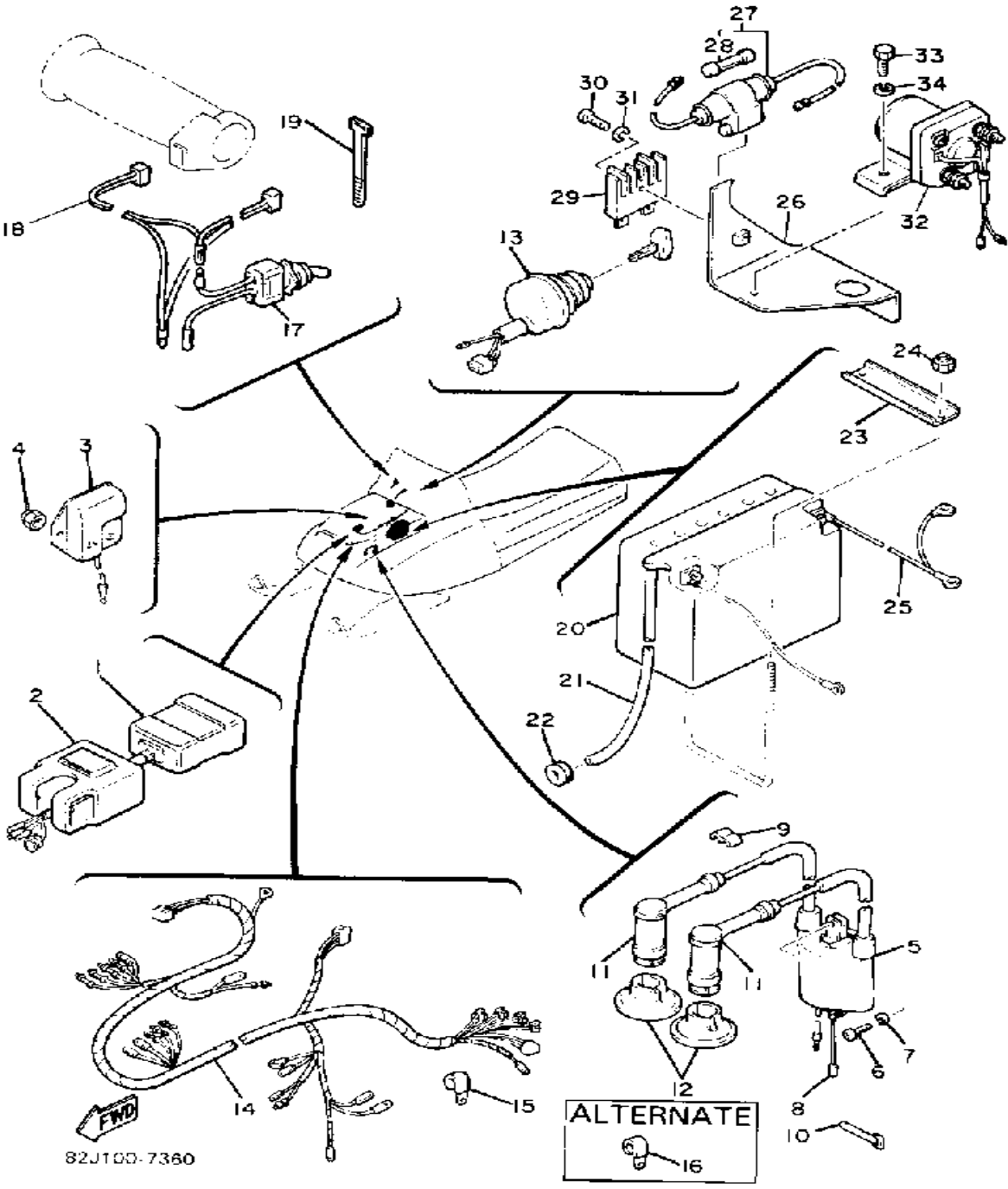


Ref. No.	Part Number	Description	Qty	Remarks
1	81E-85540-M0-00	C.D.I. UNIT ASSEMBLY	1	
2	2A7-85546-00-00	BAND	1	
3	82F-81910-A0-00	VOLTAGE REGULATOR ASSEMBLY	1	U.R.
4	95701-06300-00	NUT, NYLON	2	
5	8W3-82310-T0-00	IGNITION COIL ASSEMBLY	1	U.R.
6	98580-06020-00	SCREW	2	
7	92995-06100-00	WASHER, SPRING	2	
8	87D-82318-00-00	WIRE, SUB-LEAD	1	
9	8W6-82355-00-00	GROMMET 1	1	
10	J45-83936-00-00	BAND, SWITCH CORD	1	
11	8J0-82370-10-00	PLUG CAP ASSEMBLY	2	
12	8G8-82372-00-00	SEAL, PLUG CAP	2	
13	8J9-82508-20-00	MAIN SWITCH ASSEMBLY	1	
14	82J-82590-20-00	WIRE HARNESS ASSEMBLY	1	
15	90465-08028-00	CLAMP	2	
16	90465-08028-00	CLAMP	1	ALT. PART
17	82J-82917-00-00	SWITCH	1	
18	80X-82318-00-00	WIRE, SUB-LEAD	2	
19	437-83936-01-00	BAND, SWITCH CORD	2	
20	BTY-YB14L-A2-00	BATTERY ASSEMBLY (YB14L-A2)	1	
21	90445-08417-00	HOSE	1	
22	90480-12013-00	GROMMET	1	
23	8J4-82136-00-00	PLATE, BATTERY FITTING	1	
24	95701-06300-00	NUT, NYLON	2	
25	8J4-82115-01-00	WIRE, PLUS LEAD	1	
26	8W8-81975-00-00	PLATE, RECTIFR FTNG	1	
27	2J2-82150-10-00	FUSE HOLDER ASSEMBLY	1	

CONTINUED ON NEXT FRAME ►

Property of [www.SmallEngineDiscount.com](http://www.SmallEngineDiscount.com) - Not for Resale

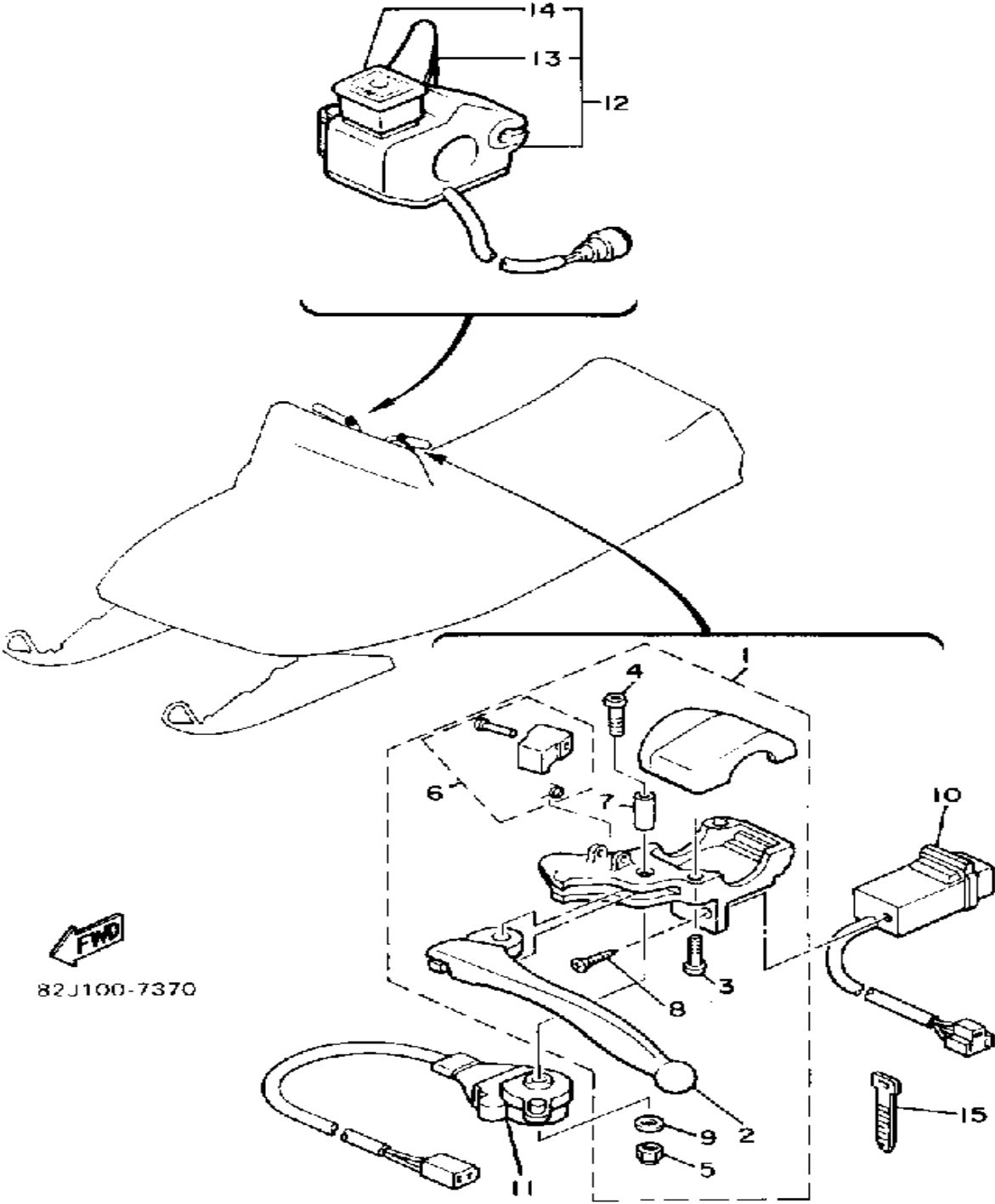
# ELECTRICAL 1



Ref. No.	Part Number	Description	Qty	Remarks
28	682-82151-00-00	. FUSE (20A)	2	
29	1Y8-81970-60-00	RECTIFIER ASSEMBLY	1	
30	98580-06020-00	SCREW	1	
31	92995-06100-00	WASHER, SPRING	1	
32	8J9-81940-10-00	STARTER RELAY ASSEMBLY	1	
33	97013-06012-00	BOLT	1	
34	92995-06100-00	WASHER, SPRING	1	

Property of [www.SmallEngineDiscount.com](http://www.SmallEngineDiscount.com) - Not for Resale

# ELECTRICAL 2



Ref. No.	Part Number	Description	Qty	Remarks
1	88R-W8291-00-00	LEVER HOLDER ASSEMBLY (LEFT)	1	
2	8H8-83912-00-00	. LEVER 1	1	
3	90157-05027-00	. SCREW, PAN HEAD	2	
4	98501-05040-00	. SCREW, PAN HEAD (98502-05040)	1	
5	95701-05300-00	. NUT, NYLON	1	
6	82A-83930-00-00	. LEVER LOCK ASSEMBLY	1	
7	802-83913-00-00	. COLLAR, LEVER 1	1	
8	97780-30312-00	. SCREW, tapping	2	
9	92990-05200-00	. WASHER, PLAIN	1	
10	8H8-83950-01-00	BEAM SWITCH ASSEMBLY (8K4-83950-01-00)	1	
11	88R-82530-00-00	STOP SWITCH ASSEMBLY	1	
12	84R-82720-00-00	LEVER HOLDER ASSEMBLY (RIGHT)	1	
13	8V0-42138-00-00	. LEVER, THROTTLE	1	
14	82K-82575-09-00	. EMERGENCY SAFETY SW	1	
15	341-26397-01-00	BAND	1	

Property of [www.SmallEngineDiscount.com](http://www.SmallEngineDiscount.com) - Not for Resale