

PARTS MANUAL

Models

**EH41, EH36
ENGINES**

PUB-EP5728
Rev. 09/01

Robin America, Inc.

940 Lively Blvd. • Wood Dale, IL 60191 • Phone: 630-350-8200 • Fax: 630-350-8212
e-mail: sales@robinamerica.com • www.robinamerica.com

© Copyright 2001 Robin America, Inc.

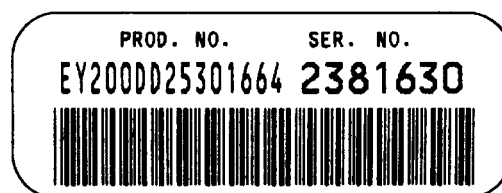
HOW TO USE THIS MANUAL

Robin engines are identified by MODEL, SPECIFICATION, and CODE NUMBER. For each model there may be many different versions called specifications. Each specification will be unique in some way. The difference may only be the paint color or it may have a different type of PTO or some other significant difference.

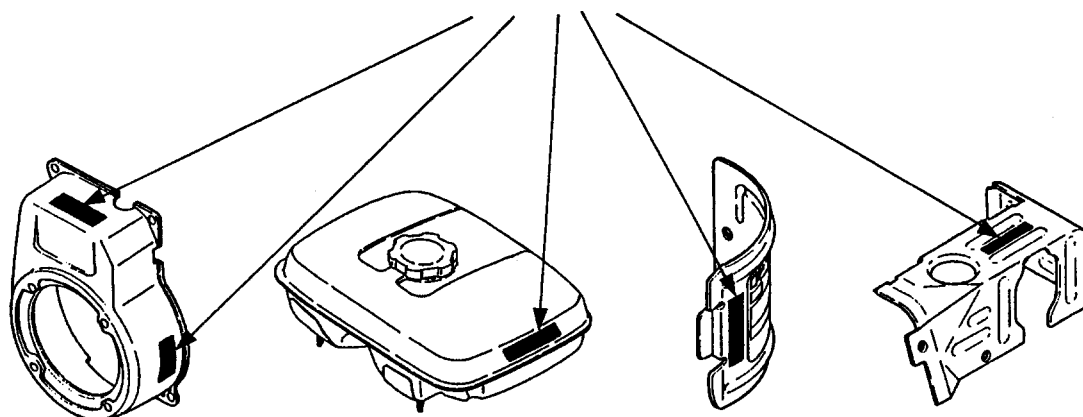
In order to identify the correct service part number, it is important to confirm the specification and code numbers for your engine. The specification and code number together are known as the PRODUCT NUMBER.

All Robin 4 cycle engines have a Product Number label similar to the label illustrated below.

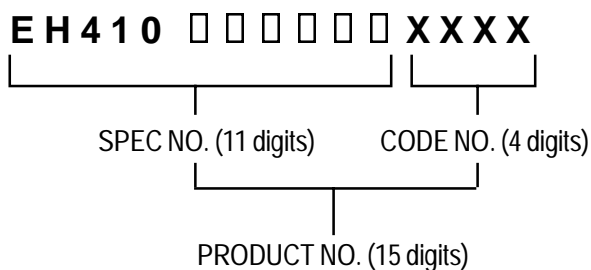
PRODUCT NUMBER LABEL



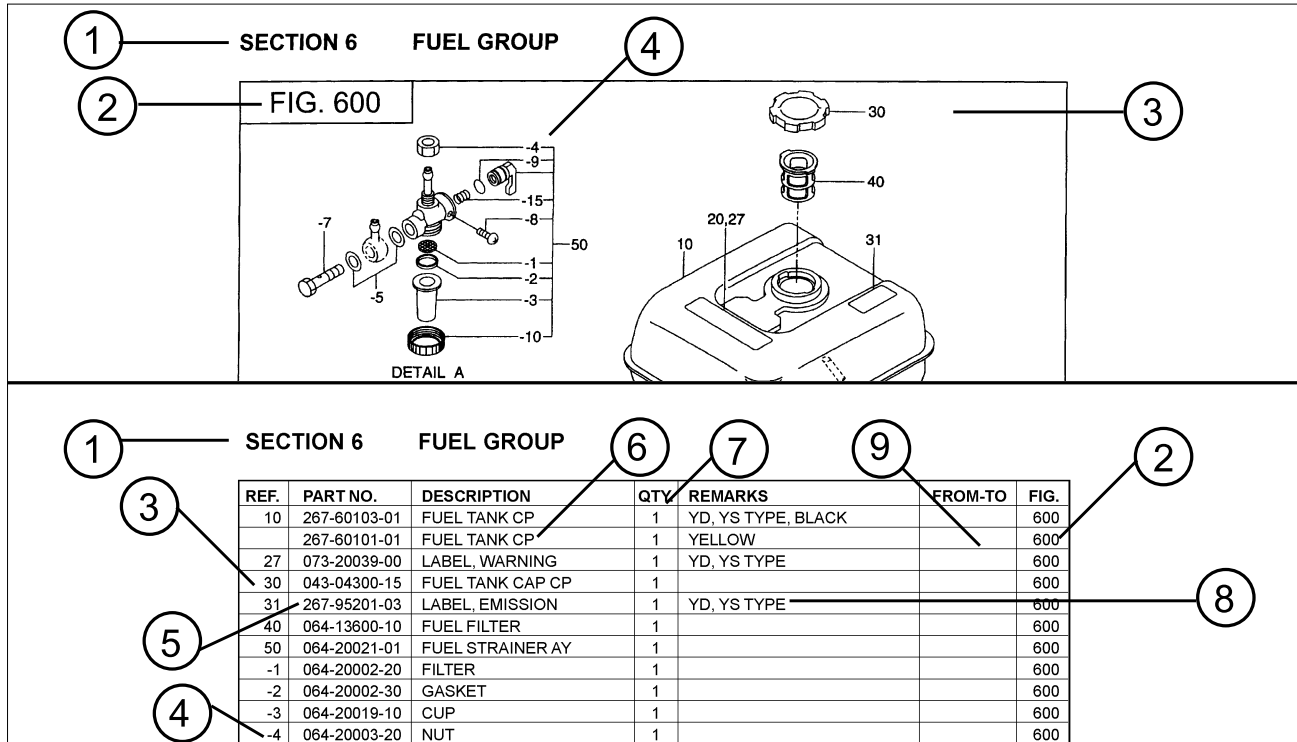
PRODUCT NUMBER LABEL LOCATIONS



The Product Number Label has a 15 digit alphanumeric string that consists of the SPECIFICATION (SPEC) number (11 digits) and the CODE number (4 digits). Please note the illustration below:



MANUAL LAYOUT



1. SECTION NAME Parts are broadly classified according to their functions. Refer to the Group Index (table of contents) for respective section name.
2. FIG. No. The FIG. number indexes the reference and part numbers to the illustration. Figure numbers that vary only in the tens place (i.e.: 700 and 710) are in a group of the same section (i.e.: Electrical Device Group).
3. REF. No. The Reference number identifies the part illustration with the corresponding part number in the part list.
4. SUBASSEMBLY SUBASSEMBLY parts of part assembly are listed below the assembly part. The subassembly part reference number is indicated by the number led by "-" such as "-1", "-2".
5. PART NUMBER It is the number assigned for sales unit. Use the PART No. when making an order.
6. DESCRIPTION It is designation of the part.
7. QTY. Quantity of each part used for each product.
8. REMARKS This gives a distinctive feature and/or a supplementary comment for the type, the specification, and the part concerned. It also shows part number(s) interchangeable for the part.
9. FROM-TO This section shows the CODE No. to indicate the history of progress in which improved parts have been introduced in the product. The FROM-TO CODE No. helps to identify PART No. being employed in the product concerned. See the examples below:
 - The part is used in the product irrespective of CODE No.
 - 2101- The part is used in the products with CODE No. of 2101 and after this number.
 - 2100 The part is used in the products with CODE No. of 2100 and before this number.

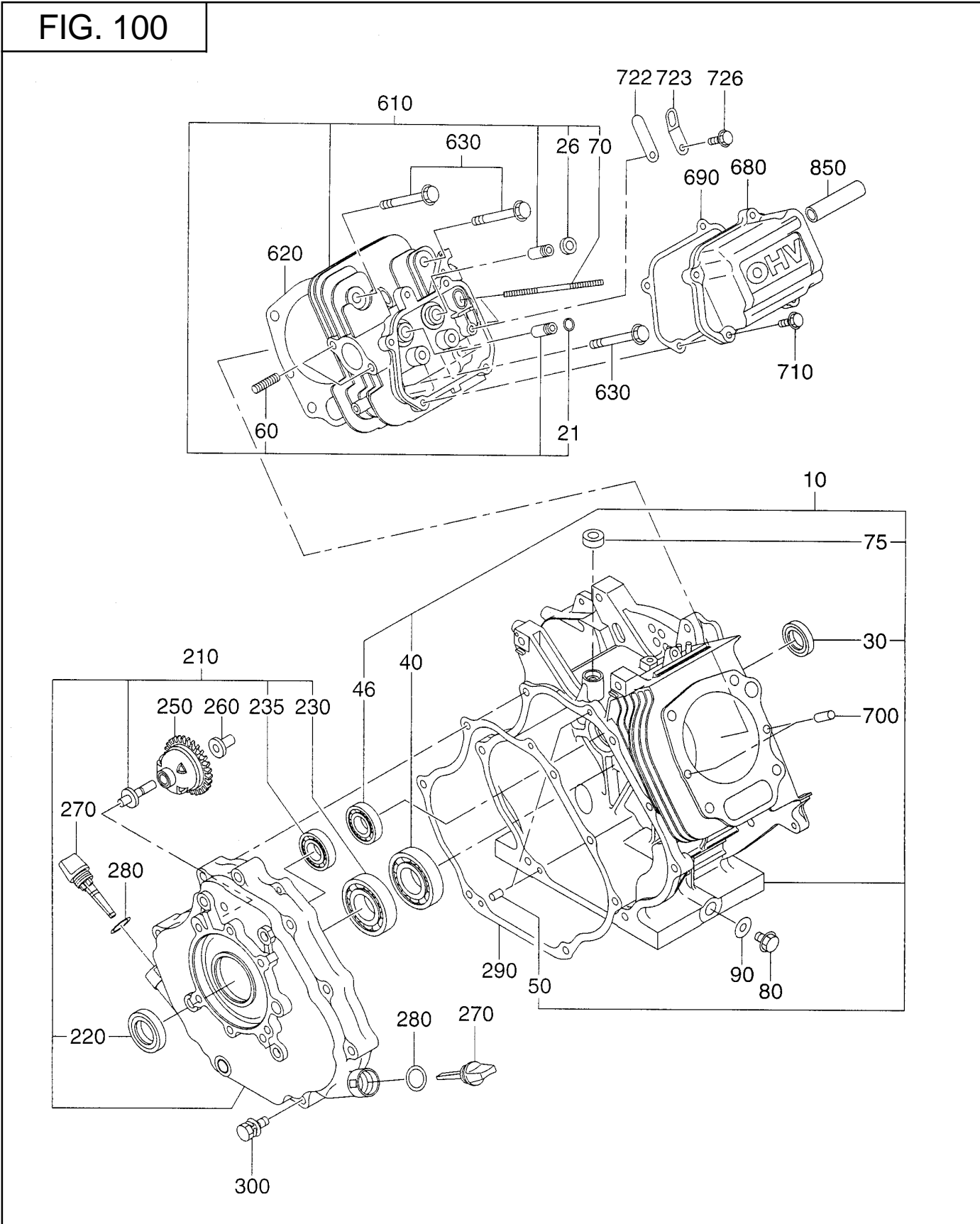
GROUP INDEX

Group Name	Page
CRANKCASE GROUP	6
CRANKSHAFT GROUP	8
INTAKE and EXHAUST GROUP	10
GOVERNOR GROUP	16
COOLING and STARTING GROUP	18
FUEL GROUP	20
ELECTRIC DEVICE GROUP - RECOIL START	26
ELECTRIC DEVICE GROUP - ELECTRIC START	28
ELECTRIC DEVICE GROUP - ELECTRIC STARTER	30
ELECTRIC DEVICE GROUP - OIL SENSOR	32
SOLENOID GROUP	34

INDEX OF DESCRIPTION SYMBOLS			
SYMBOL	DESCRIPTION	SYMBOL	DESCRIPTION
AY	ASSEMBLY	P=	PITCH (in mm)
CP	COMPLETE	P.T.O. (PTO)	POWER TAKE OFF
EX	EXPORT (from Japan)	REF.	REFERENCE
FIG.	FIGURE	R.H. (RH)	RIGHT HAND SIDE
FR.	FRONT	RR.	REAR
"	INCH	STD.	STANDARD
INCL.	INCLUDE	SW	SWITCH
-L	LITER	T=	THICKNESS (in mm)
L=	LENGTH (in. mm)	UN	UNIT
L.H. (LH)	LEFT-HAND SIDE	U.S.	UNDER SIZE
MECH	MECHANICAL	~V	VOLTAGE
NO (NON)	NONE	~W	WATT
OPT.	OPTIONAL	W/	WITH
O.S.	OVER SIZE	W/O	WITHOUT

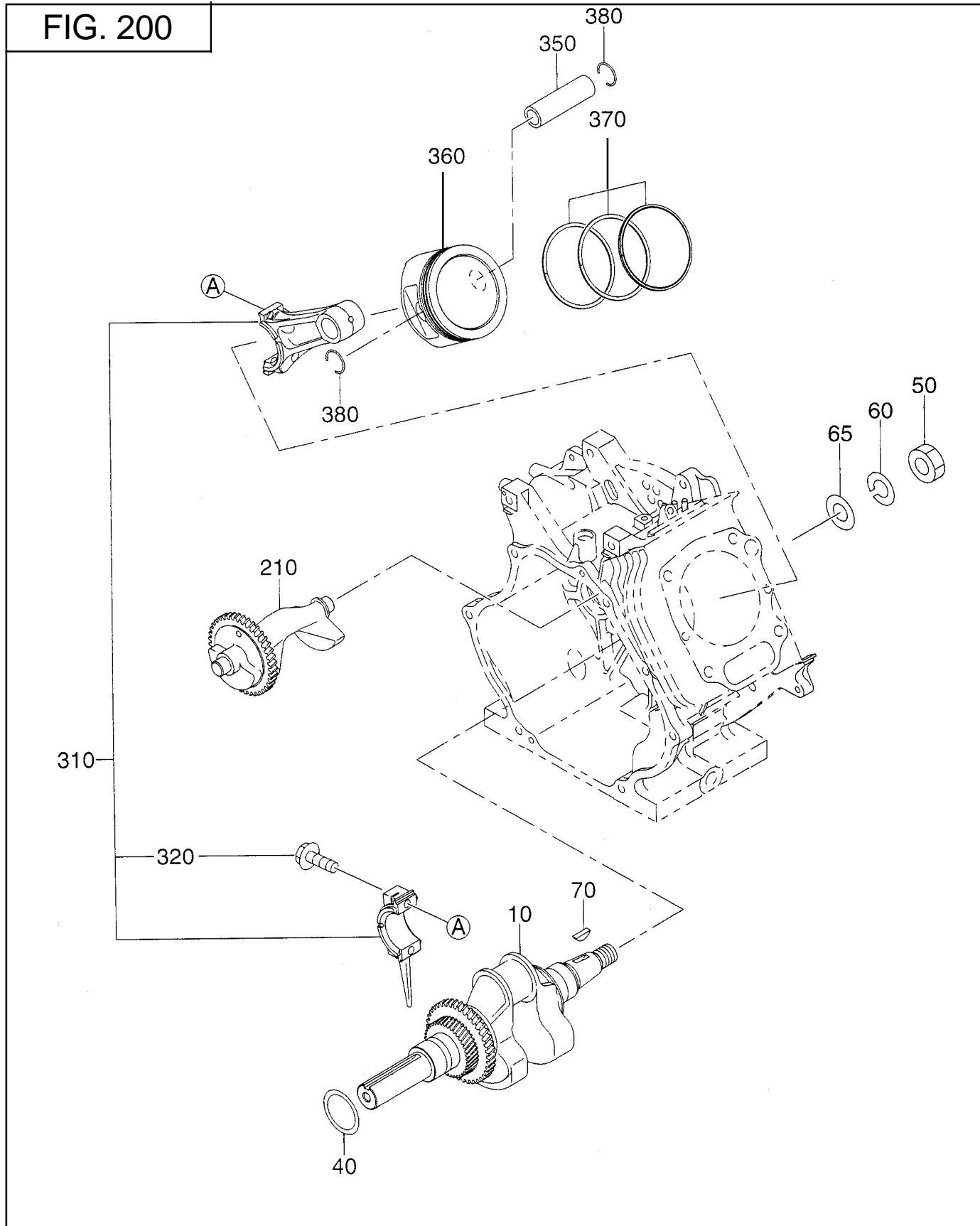
SECTION 1 CRANKCASE GROUP

FIG. 100



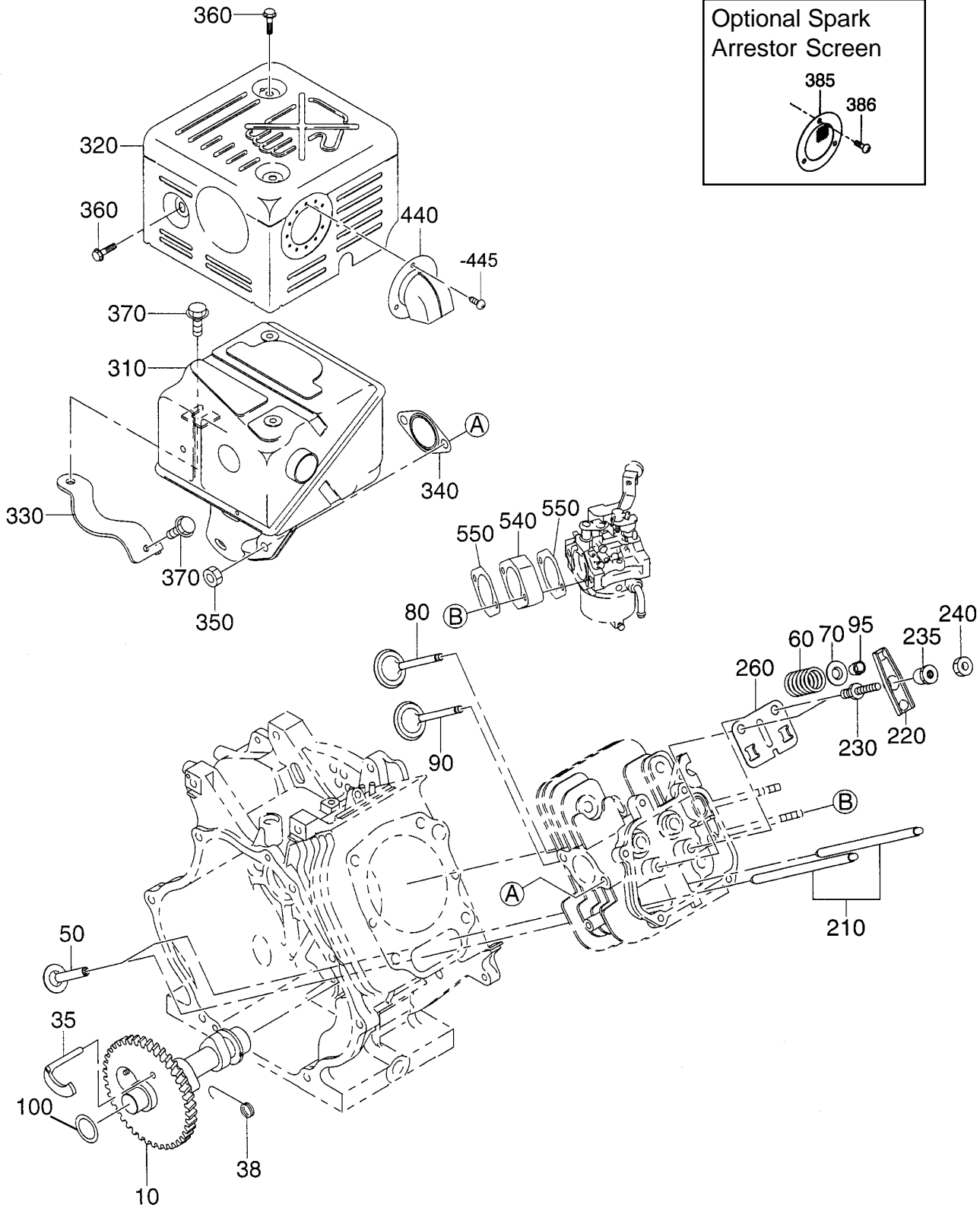
SECTION 2 CRANKSHAFT GROUP

FIG. 200



SECTION 3 INTAKE and EXHAUST GROUP

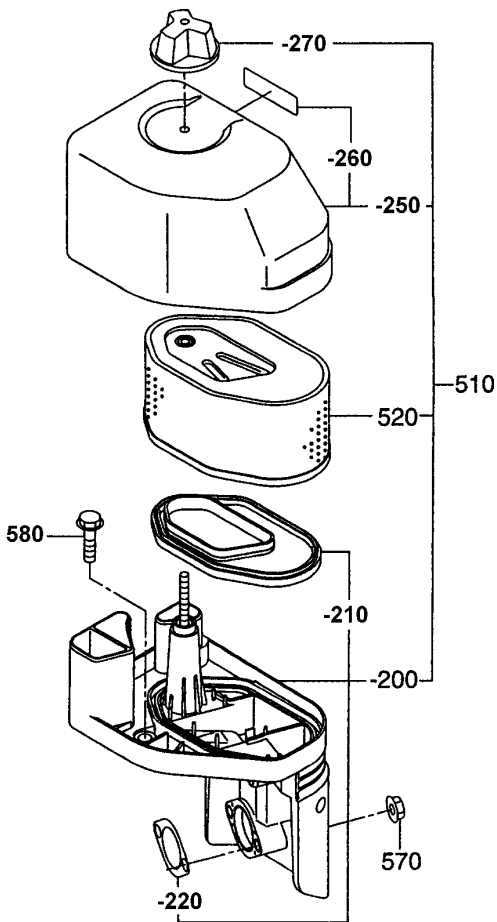
FIG. 300



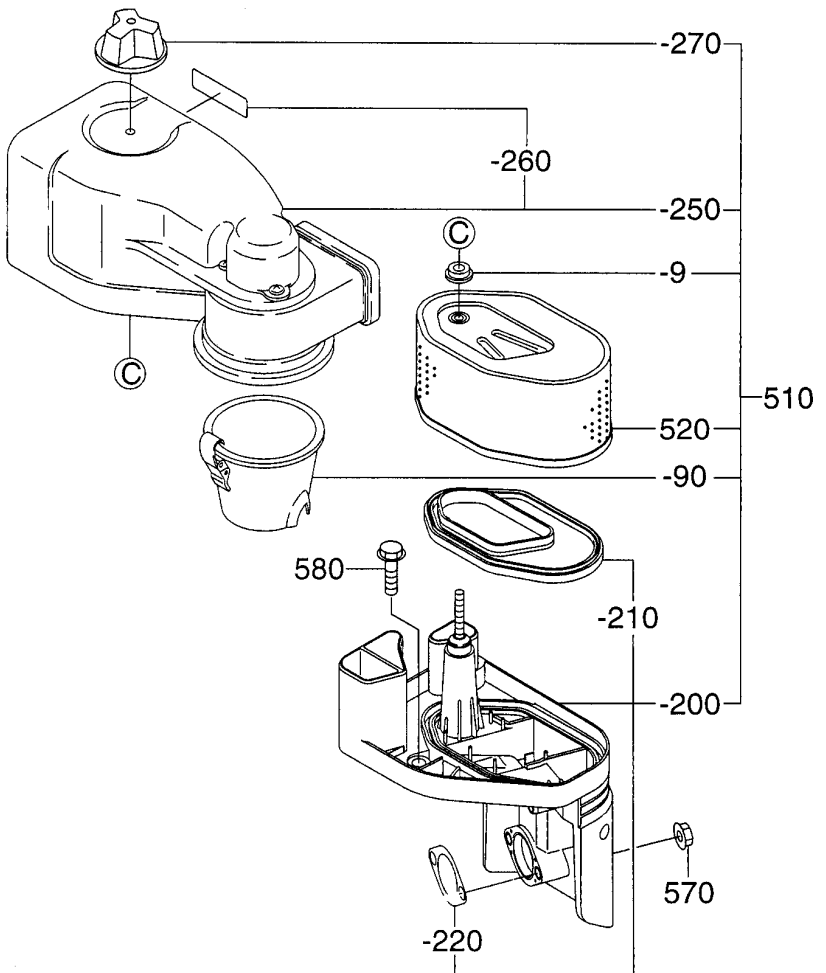
SECTION 3 INTAKE and EXHAUST GROUP

FIG. 310

(A) Standard Type

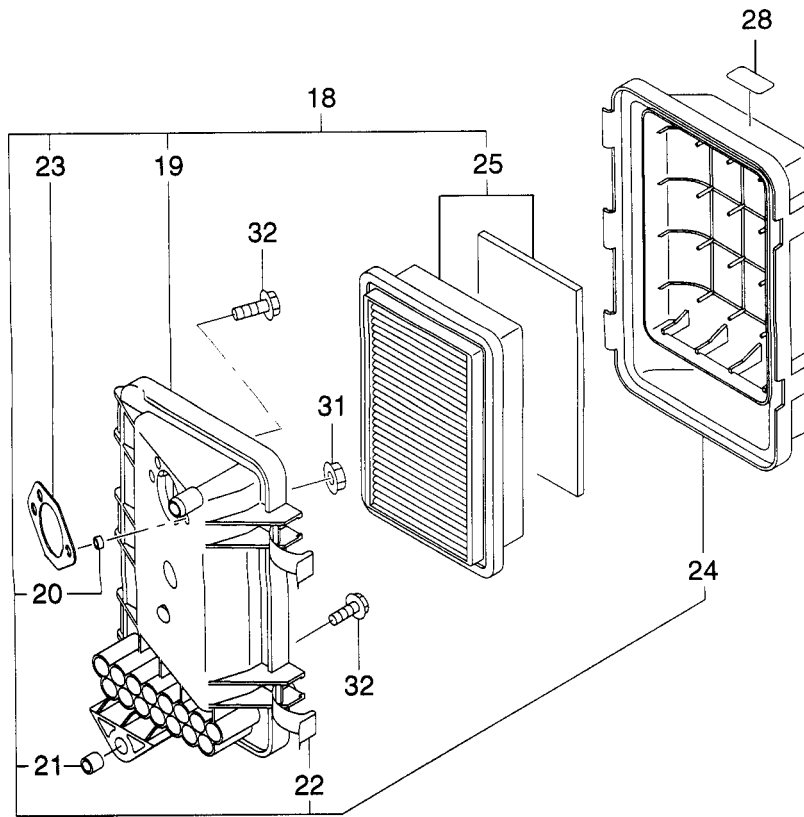


(B) Cyclone with Debris cup



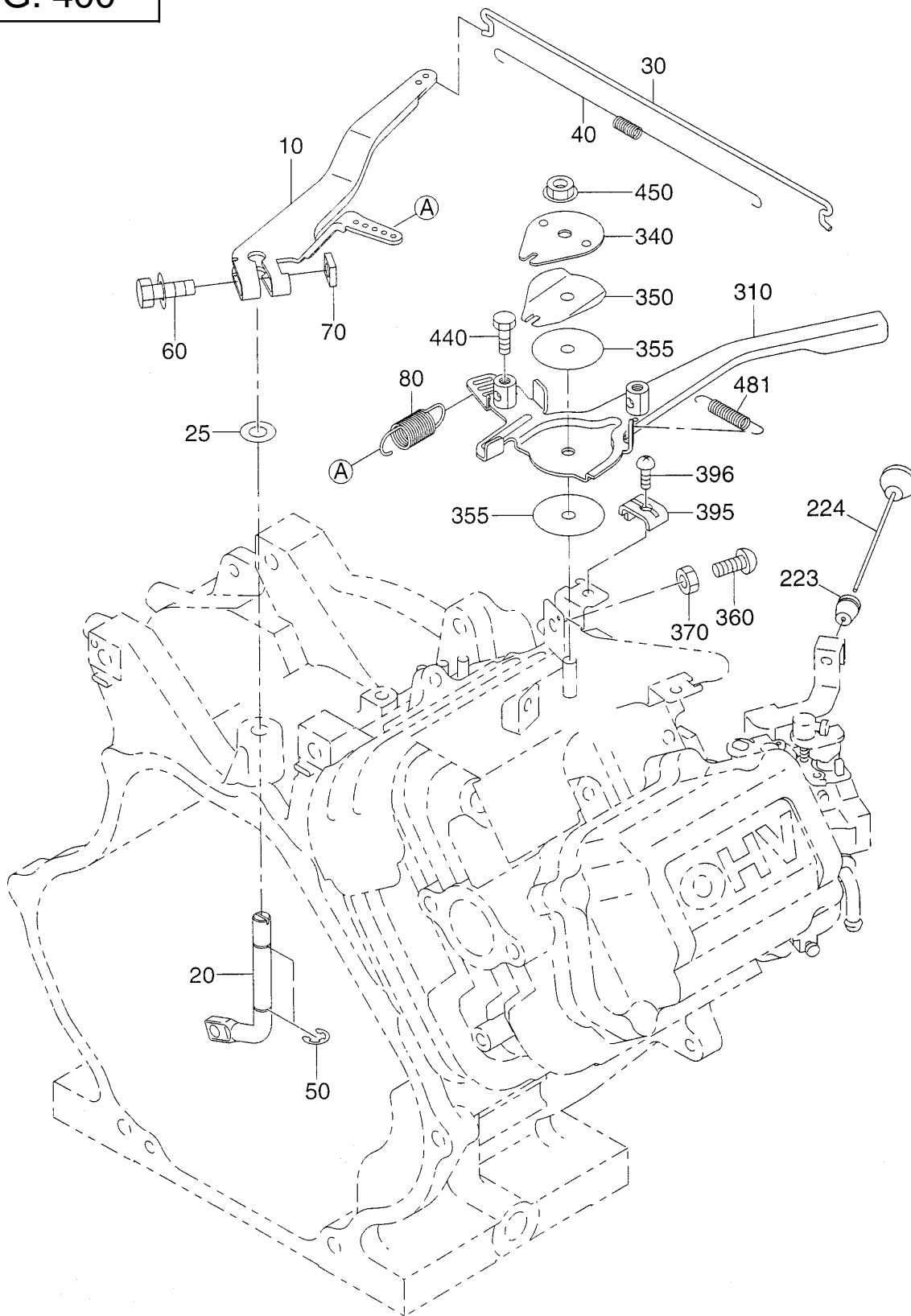
SECTION 3 INTAKE and EXHAUST GROUP - for RGV7500

FIG. 320



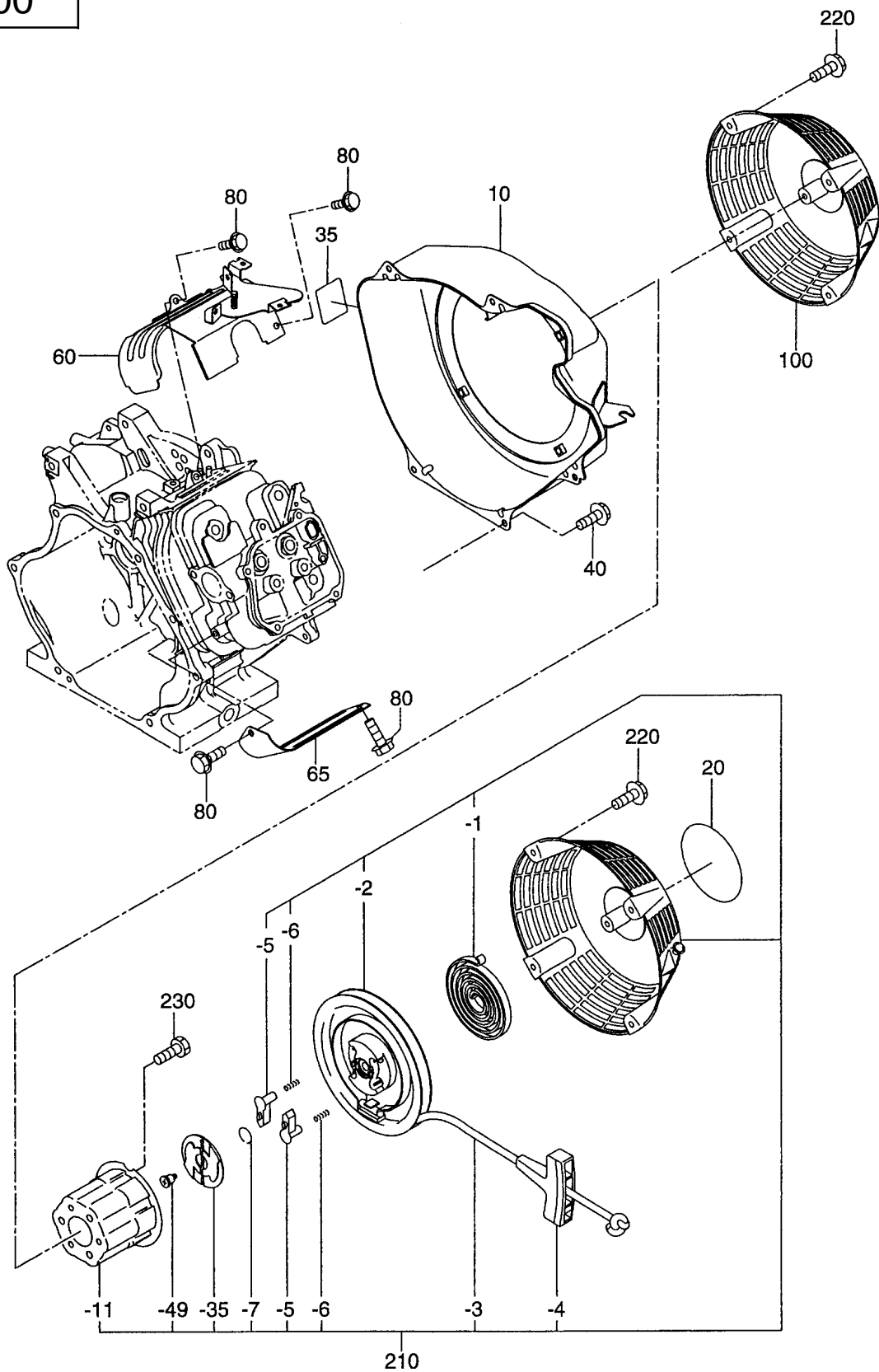
SECTION 4 GOVERNOR GROUP

FIG. 400



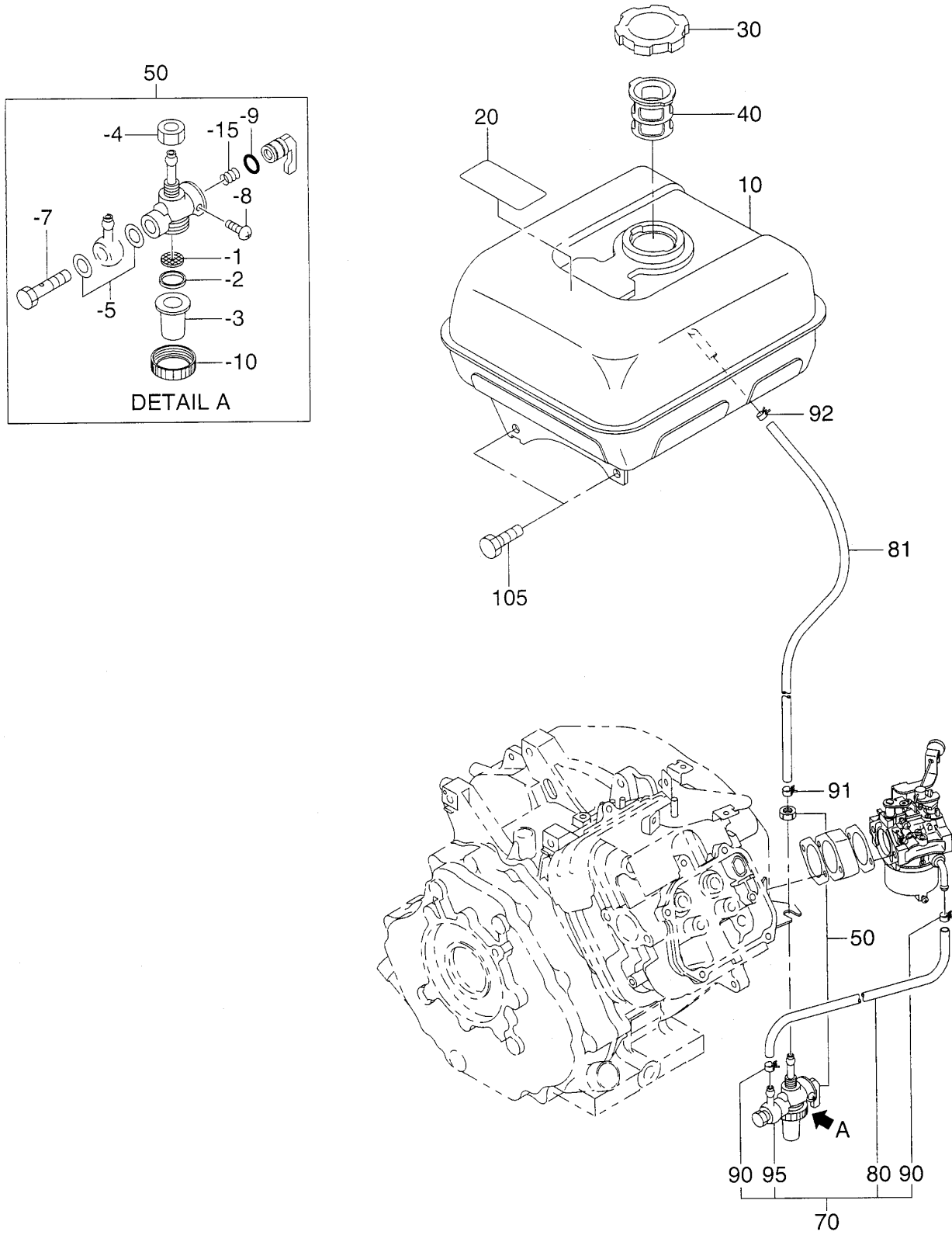
SECTION 5 COOLING and STARTING GROUP

FIG. 500



SECTION 6 FUEL GROUP

FIG. 600

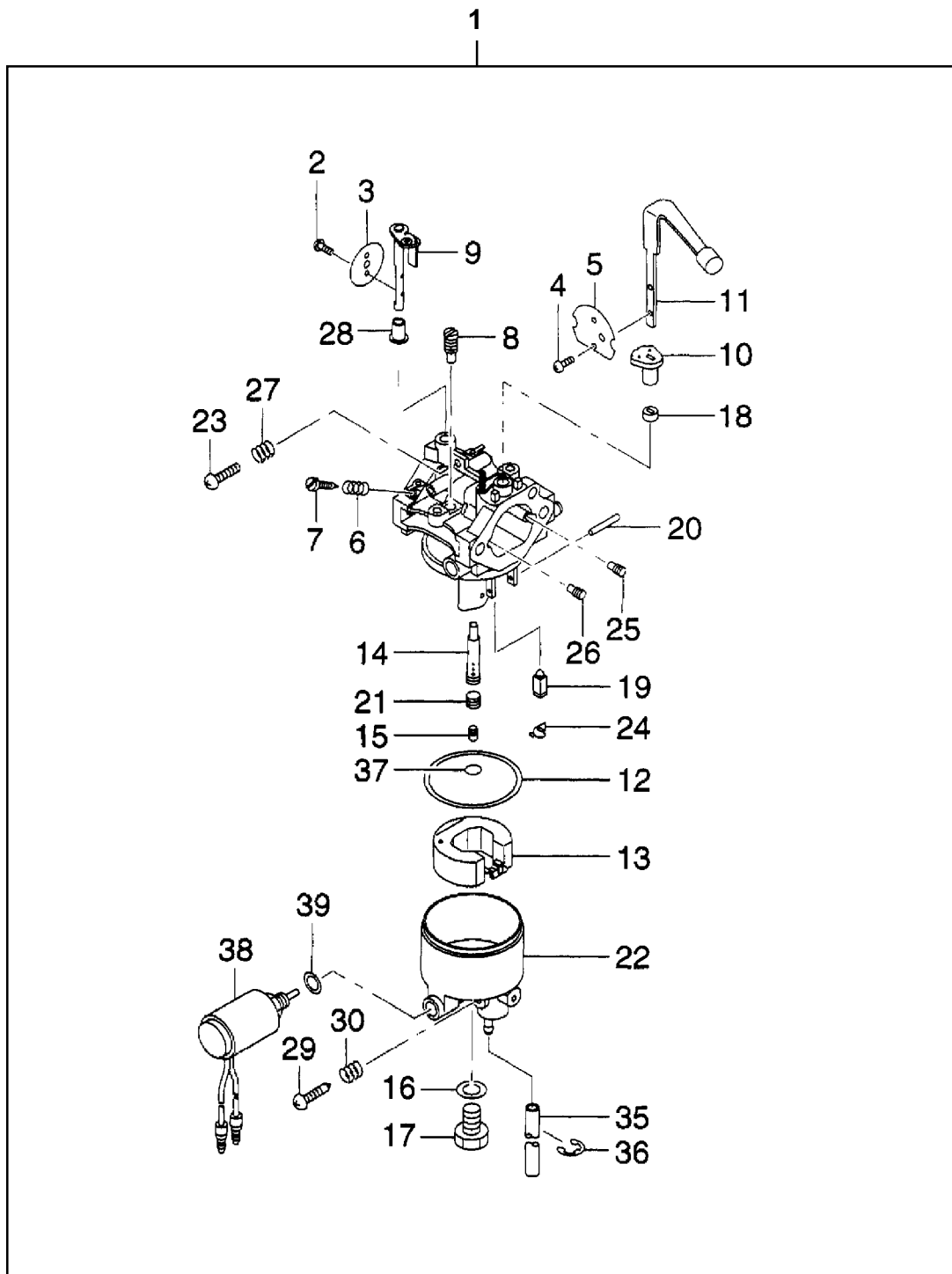


SECTION 6 FUEL GROUP

REF.	PART NO.	DESCRIPTION	QTY.	REMARKS	FROM-TO	FIG.
210	267-62302-10	CARBURETOR AY	1	EH41		610
210	266-62302-00	CARBURETOR AY	1	EH36		610
-1	267-62535-08	THROTTLE VALVE	1	EH41		
	266-62535-08	THROTTLE VALVE	1	EH36		610
-2	209-62351-08	SCREW	2			610
-3	267-62525-08	CHOKE VALVE	1			610
-4	237-62451-08	SCREW	2			610
-5	227-62422-08	PILOT JET	1			610
-6	246-62436-08	ADJUSTER	1			610
-7	206-62446-08	SPRING	1			610
-8	267-62520-08	CHOKE LEVER	1			610
-9	239-62560-08	RING, CHOKE	1			610
-11	267-62531-08	THROTTLE SHAFT	1	EH41		610
	266-62531-08	THROTTLE SHAFT	1	EH36		610
-12	150-62358-08	BOLT	1			610
-13	226-62550-08	RING	1			610
-14	224-62312-18	NEEDLE VALVE AY	1			610
-15	214-62515-08	PIN	1			610
-16	234-62552-08	FLOAT CHAMBER BODY	1			610
-17	207-62345-08	PACKING	1			610
-18	206-62540-08	PACKING, CHAMBER	1			610
-19	234-62506-08	FLOAT AY	1			610
-20	267-62440-08	MAIN NOZZLE	1			610
-22	267-62402-08	MAIN JET	1	EH41		610
	246-62403-08	MAIN JET	1	EH36		610
-23	242-62323-08	SCREW	1			610
-24	224-62569-18	CLIP	1			610
-28	224-62452-08	SCREW	1			610
-29	209-62445-08	SPRING	1			610
-32	267-62450-08	RING	1			610
-33	106-62392-18	SEAL	1	i/w 106-62392-08		610
-40	224-62452-08	ADJUST SCREW	1			610
-41	230-62446-08	SPRING	1			610
-44	106-62411-08	AIR JET	1	EH41		610
	266-62410-08	AIR JET	1	EH36		610
-45	246-62410-08	AIR JET	1			610
-61	247-62550-08	CAP	1			610
-62	236-62680-08	SEAL	1			610
-80	246-62551-08	CAP	1			610
-89	246-62425-08	GUIDE HOLDER	1			610
-250	267-62451-08	BRACKET	1			610
-251	267-62452-08	SCREW	1			610
240	246-45006-01	KNOB CP	1			610
250	207-32690-08	GROMMET	1			610

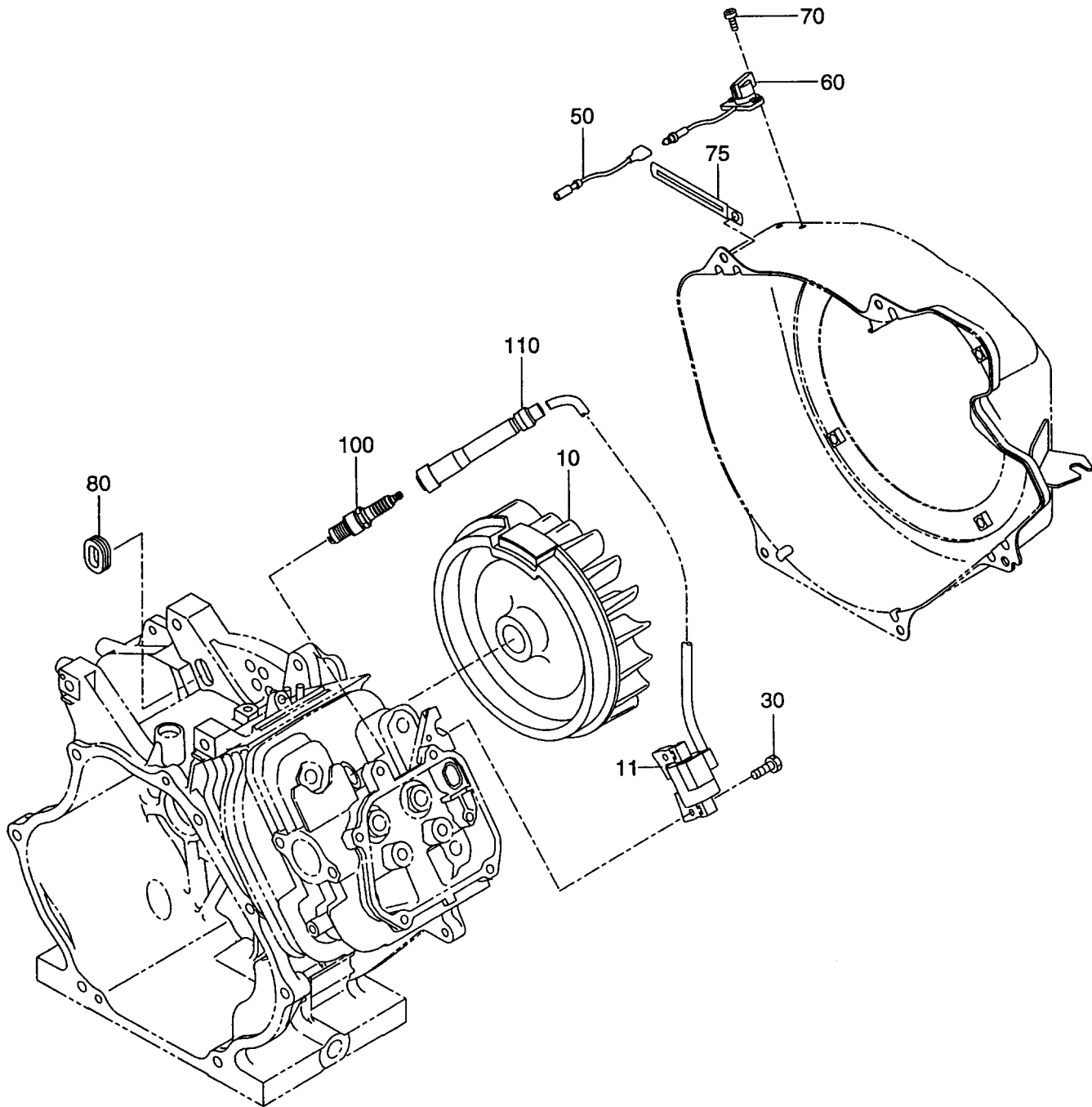
SECTION 6 FUEL GROUP - for RGV7500

FIG. 620



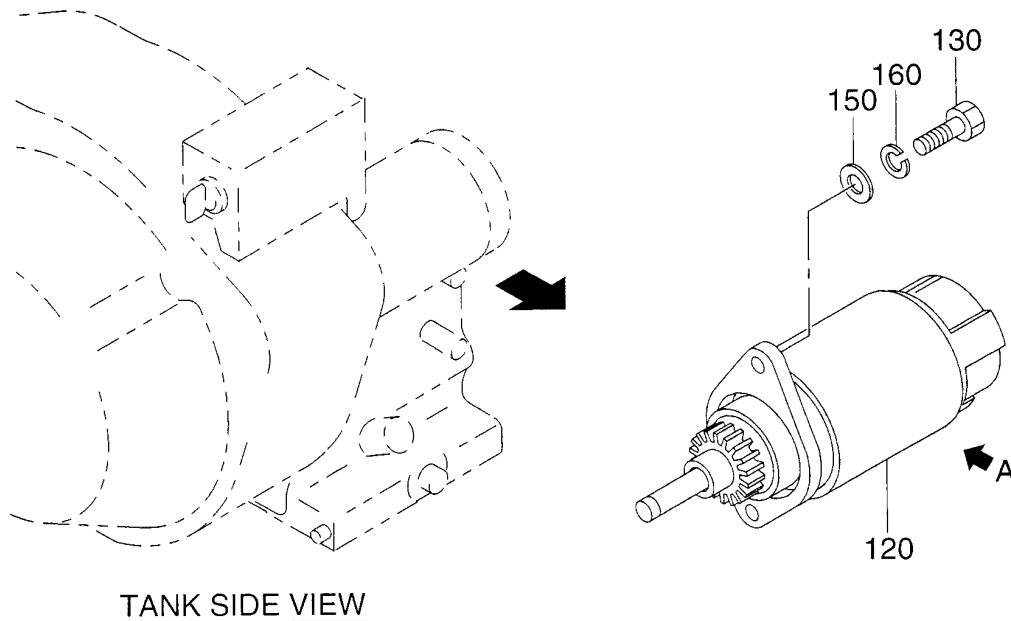
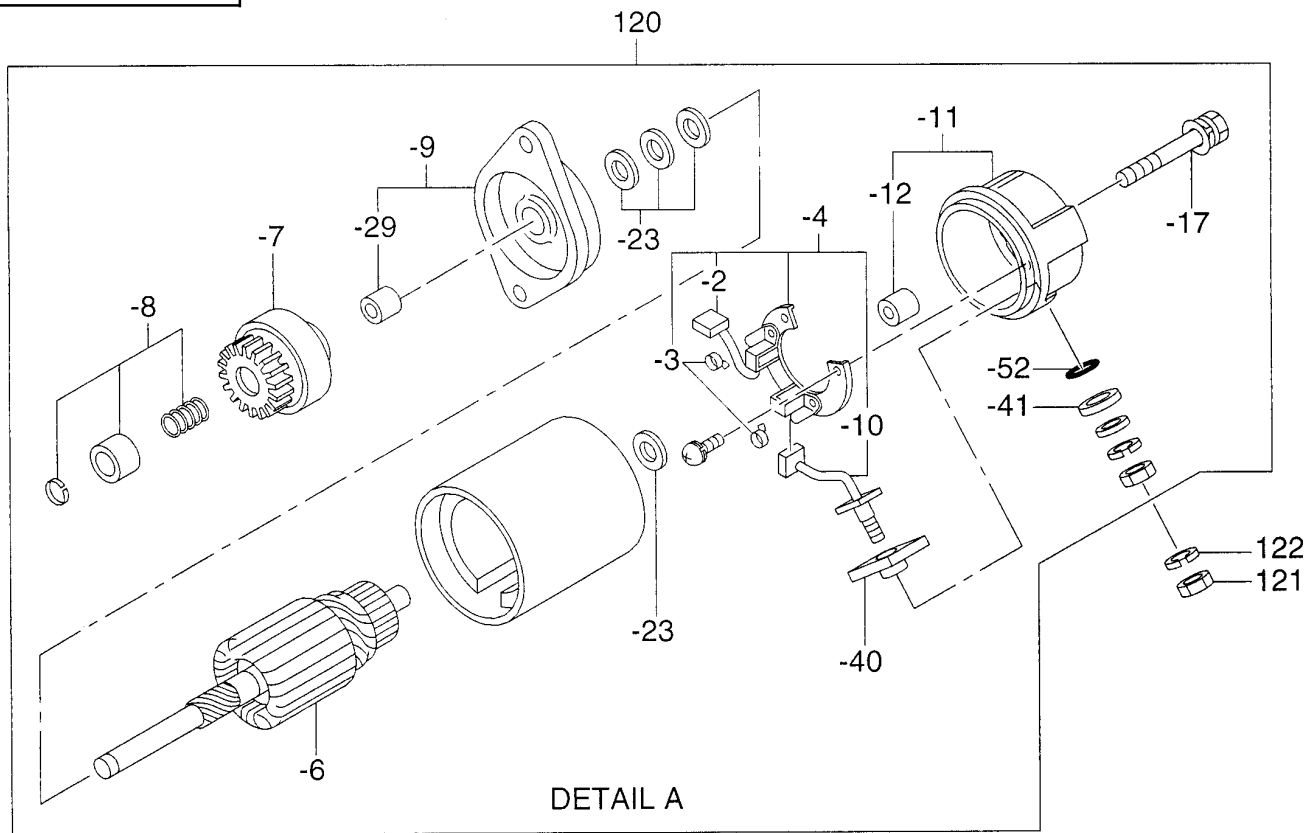
SECTION 7A ELECTRIC DEVICE GROUP - RECOIL START

FIG. 700



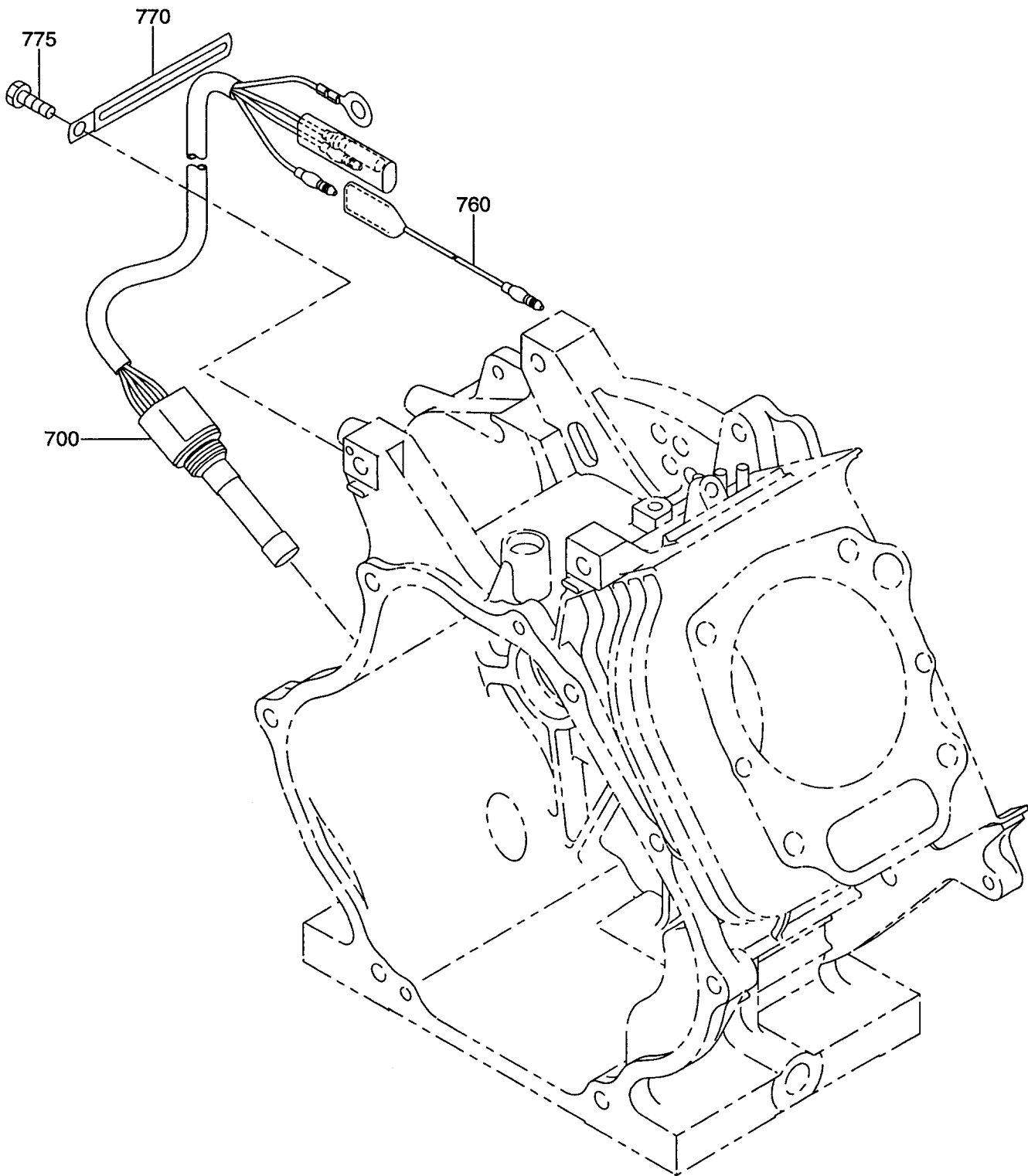
SECTION 7C ELECTRIC DEVICE GROUP - ELECTRIC STARTER

FIG. 720



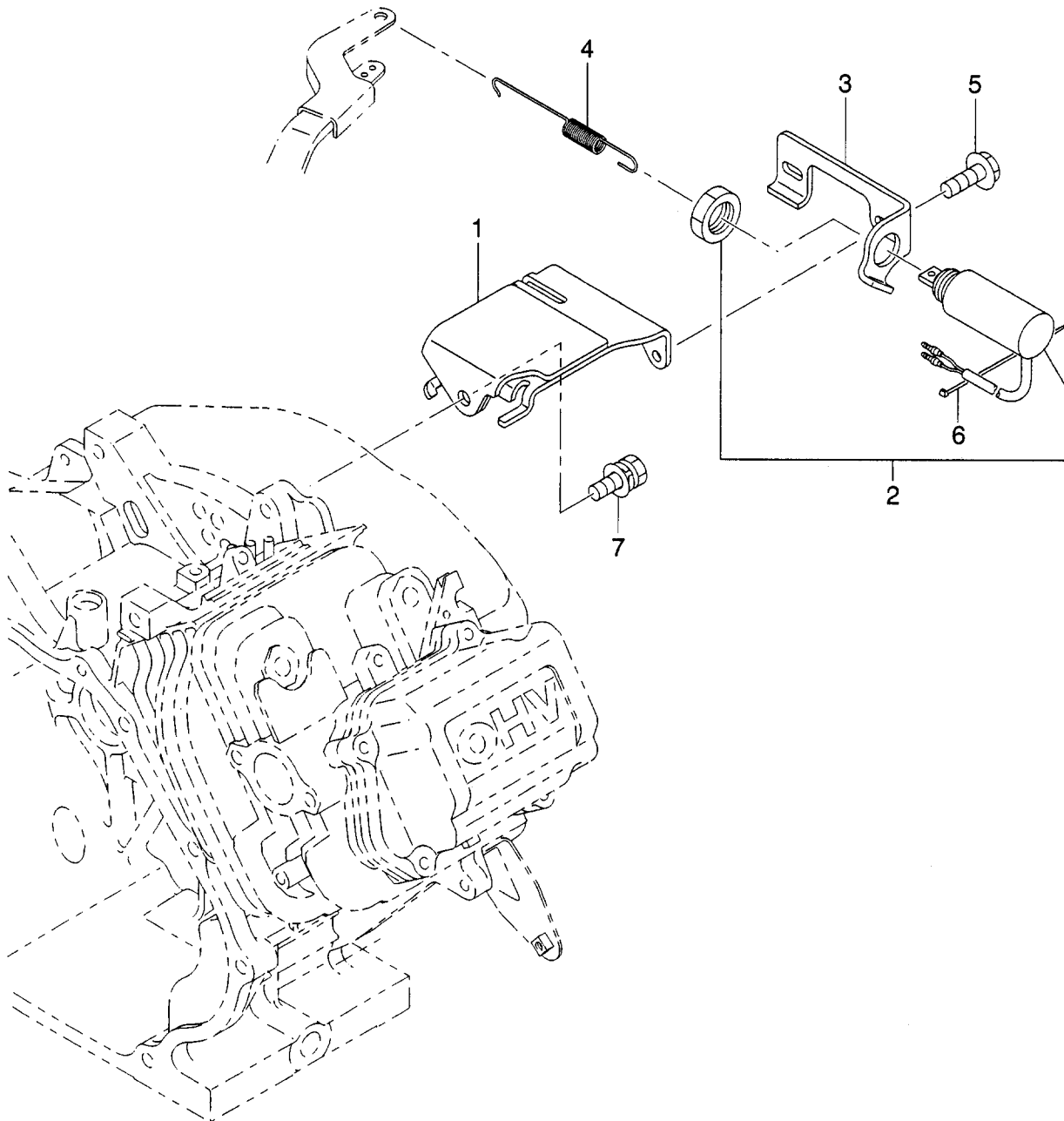
SECTION 7D ELECTRIC DEVICE GROUP - OIL SENSOR

FIG. 760



SECTION 8 SOLENOID GROUP - RGV7500

FIG. 800



PRINTED IN THE USA