



-PARTS CATALOG-

Robin

Engines

REDUCTION UNIT

Model EY14DR
EY15DR
EY18-3DR
EY20DR
EY25-2DR
EY27-2DR

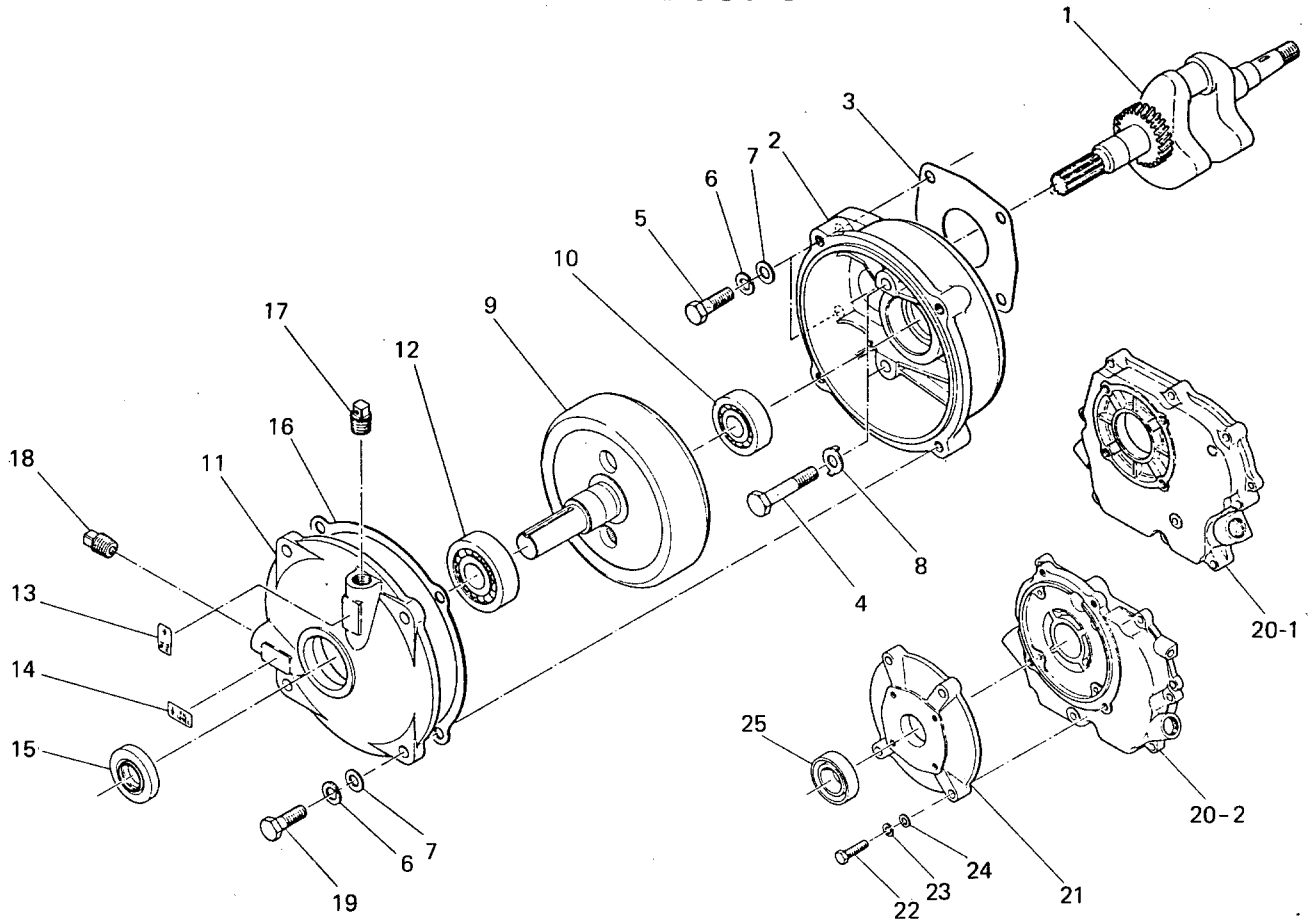
 **FUJI HEAVY INDUSTRIES LTD.**

ISSUE EMD-EP0276

REMARKS

This catalog indicates the exclusive parts only for the engines with 6 to 1 Reduction Unit which are not covered by the Standard Engine Parts catalog.

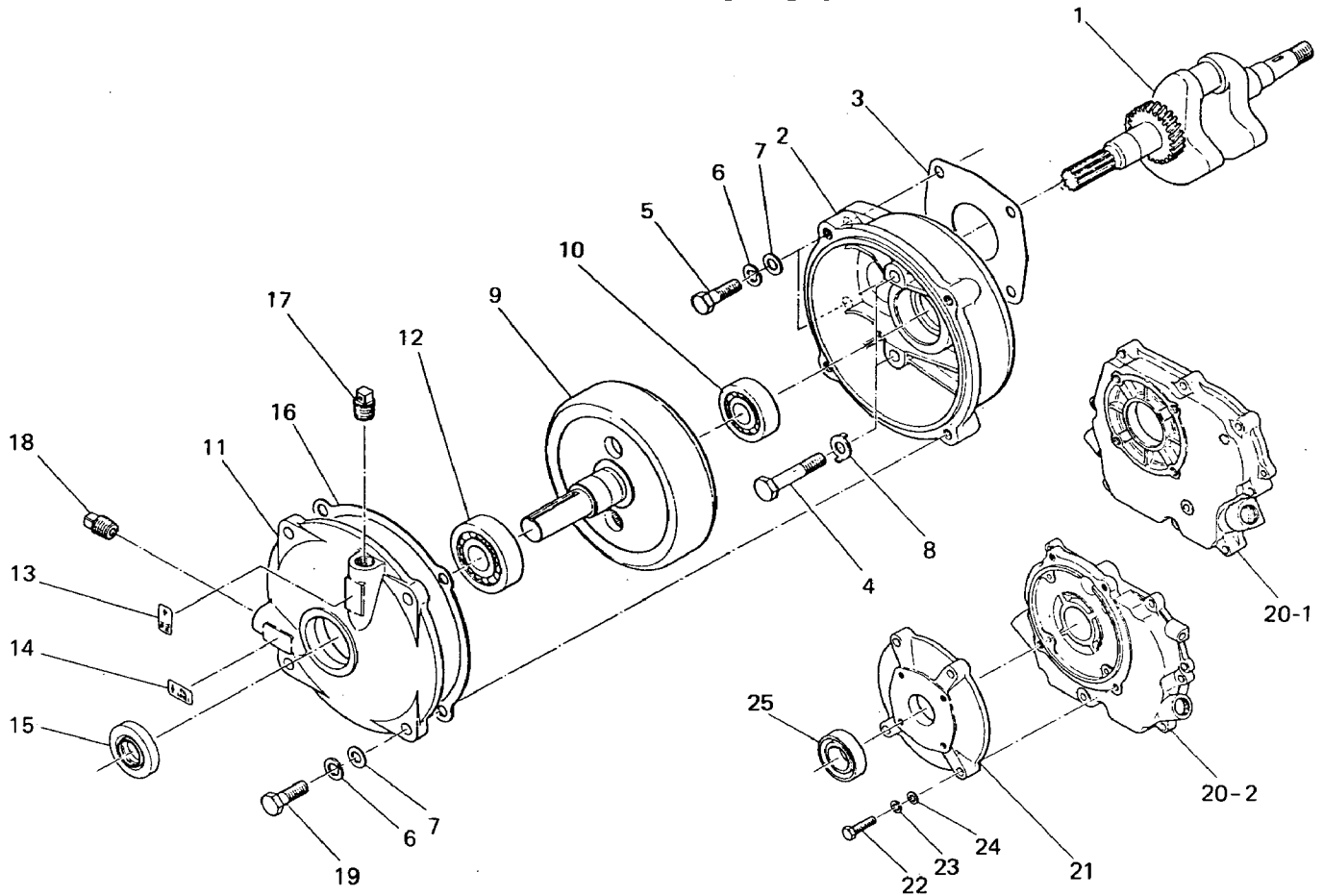
GEAR REDUCTION



Ref No.	Description	Part Number	Q'ty	Interchangeability	Execution	Ref No.	Description	Part Number	Q'ty	Interchangeability	Execution
1	CRANKSHAFT, complete For EY14	220 21201 01	1			*11	REDUCTION COVER, complete Includes items 12 thru 15 For EY14, 15, 18, 20	214 80601 01	1		
1	CRANKSHAFT, complete For EY15	226 21701 01	1			11	REDUCTION COVER For EY14, 15, 18, 20	214 80601 03	1		
1	CRANKSHAFT, complete For EY18	214 20401 01	1			*11	REDUCTION COVER, complete Includes items 12 thru 15 For EY25-2, 27-2	207 80701 01	1		
1	CRANKSHAFT, complete For EY20	227 21701 01	1			11	REDUCTION COVER For EY25-2, 27-2	207 80701 03	1		
1	CRANKSHAFT, complete For EY25-2, 27-2	207 29301 11	1	X	EY25-2: ~576753	12	BALL BEARING For EY14, 15, 18, 20	060 02500 10	1		
1	CRANKSHAFT, complete For EY25-2, 27-2	207 29301 01	1			12	BALL BEARING. For EY25-2, 27-2	060 03000 20	1		
* 2	REDUCTION CASE, complete Includes item 10	207 80101 01	1			13	LABEL, oil filler	206 95001 03	1		
2	REDUCTION CASE	207 80101 03	1			14	LABEL, level mark	206 95002 03	1		
3	GASKET (A)	206 85101 03	1			15	OIL SEAL For EY14, 15, 18, 20	044 02500 70	1		
4	BOLT (5/16"-45e)	010 10800 30	2			15	OIL SEAL For EY25-2, 27-2	044 03000 30	1		
5	BOLT (5/16"-25e)	010 10800 40	2			16	GASKET (B)	206 85102 03	1		
6	SPRING WASHER	003 20080 00	6			17	PLUG (A)	206 85001 03	1		
7	WASHER	003 10080 00	6			18	PLUG (B)	206 85002 03	1		
8	LOCK WASHER	003 38080 00	2			19	BOLT	001 66082 50	4		
9	DRIVING SHAFT For EY14, 15, 18, 20	206 81101 13	1								
9	DRIVING SHAFT For EY25-2, 27-2	207 81101 03	1								
10	BALL BEARING	060 01500 20	1								

When ordering parts; Always give the Model, Specification and Serial Number of Engine.

GEAR REDUCTION



Interchangeability

Interchangeability

Ref No.	Description	Part Number	Q'ty	Execution	Ref No.	Description	Part Number	Q'ty	Execution
20-1	MAIN BEARING COVER, complete Includes items ① For EY14	220 11002 01	1		21	ADAPTER For EY25-2, 27-2	207 85201 03	1	
①	MAIN BEARING COVER	220 11002 03	1		22	BOLT (3/8"-32e) For EY25-2, 27-2	010 11000 10	4	EY25-2: ~576753 EY27-2: ~75032
①	BALL BEARING	060 02200 10	1		23	SPRING WASHER For EY25-2, 27-2	003 20100 00	4	
①	OIL SEAL	044 02200 10	1		24	WASHER For EY25-2, 27-2	003 10100 00	4	
①	GOVERNOR GEAR SHAFT	205 46007 03	1		25	OIL SEAL For EY25-2, 27-2	044 02500 20	1	
20-1	MAIN BEARING COVER, complete Includes items ② For EY15, 20	227 11002 11	1						
②	MAIN BEARING COVER	227 11002 13	1						
②	BALL BEARING	060 02500 10	1						
②	OIL SEAL	044 02500 20	1						
②	GOVERNOR GEAR SHAFT	227 46201 03	1						
20-2	MAIN BEARING COVER, complete Includes items ③ For EY25-2, 27-2	207 11801 01	1	X					
20-2	MAIN BEARING COVER, complete	207 11102 11	1						
③	MAIN BEARING COVER	207 11801 03	1						
③	BALL BEARING	060 03000 20	1						
③	OIL SEAL	044 02500 20	1						

When ordering parts; Always give the Model, Specification and Serial Number of Engine.







FUJI HEAVY INDUSTRIES LTD.

— Engine & Machinery Export Sales Dept. —

39th Floor, Shinjuku Mitsui Bldg.
2-1-1, Nishi-Shinjuku, Shinjuku-ku, Tokyo, Japan
TEL: Tokyo 347-2414-6 TELEX: 232-2401
CABLE ADDRESS: FUJIHEAVY TOKYO