



Robin Engine

**Model EC12
for BOMAG
PARTS CATALOG**

Spec. No. EC120D47240

 **FUJI HEAVY INDUSTRIES LTD.**

ISSUE EMD-EP1096

FIG. 1 CRANKCASE and CYLINDER HEAD

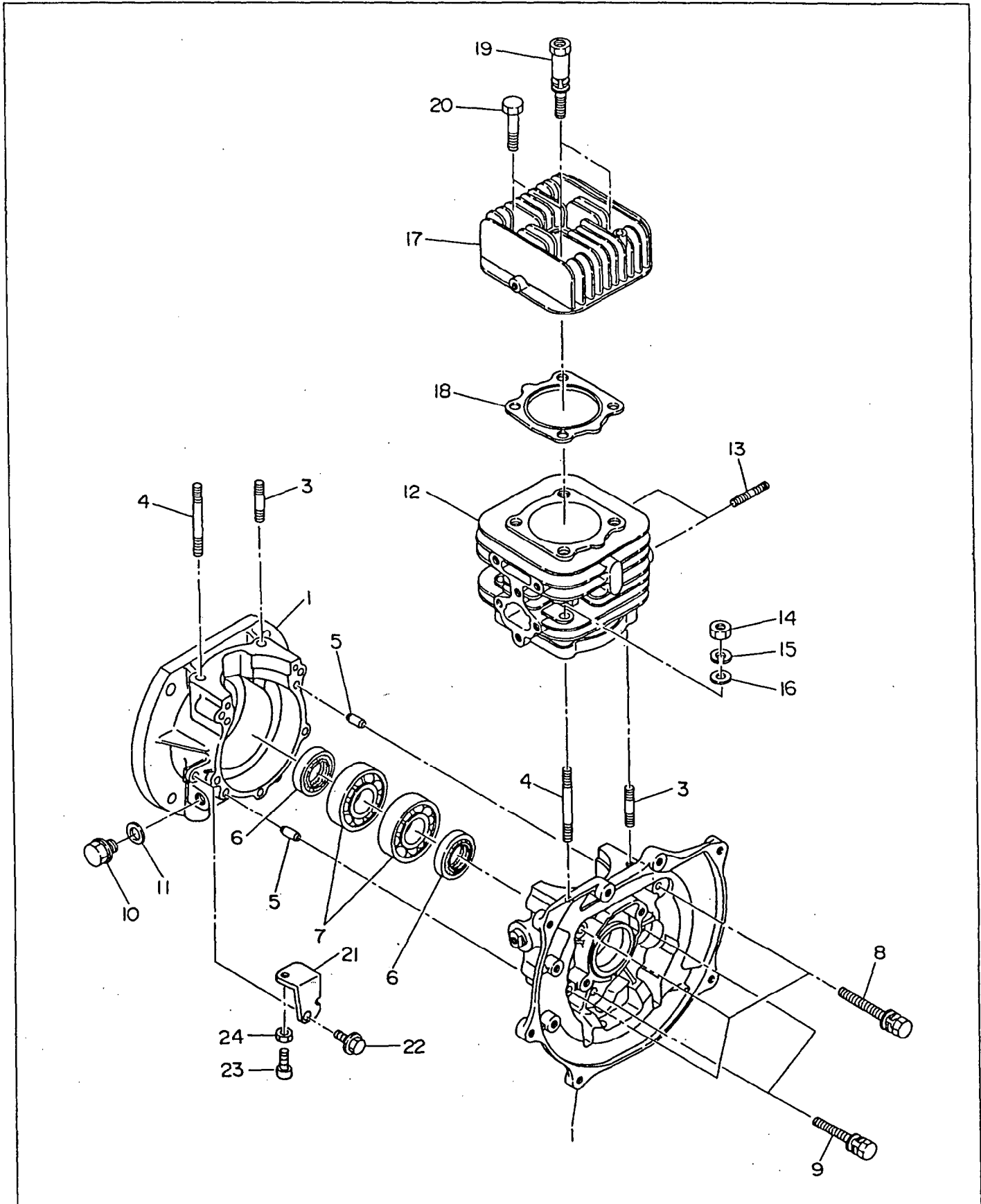


FIG. 1 CRANKCASE and CYLINDER HEAD

Interchangeability

Ref. No.	Parts Number	Description	Q'ty	Execution
* 1	161 - 10601 - 31	CRANKCASE, compl. Includes items 3 thru 9	1	
3	001 - 32084 - 01	STUD	2	
4	001 - 32086 - 51	STUD	2	
5	031 - 00600 - 10	DOWEL PIN	2	
6	044 - 02501 - 80	OIL SEAL	2	
7	060 - 02500 - 10	BALL BEARING	2	
8	001 - 14065 - 50	BOLT and WASHER ASS'Y	3	
9	001 - 14064 - 00	BOLT and WASHER ASS'Y	2	
10	040 - 11000 - 11	PLUG	1	
11	003 - 71100 - 00	GASKET	1	
*12	161 - 12402 - 11	CYLINDER, compl. Includes items 13	1	
13	001 - 32083 - 51	STUD	2	
14	002 - 18080 - 00	NUT	4	
15	003 - 20080 - 00	SPRING WASHER	4	
16	003 - 10080 - 00	WASHER	4	
17	157 - 13101 - 13	CYLINDER HEAD	1	
18	161 - 15101 - 11	GASKET, compl., head	1	
19	013 - 00800 - 71	BOLT and WASHER ASS'Y	2	
20	001 - 14083 - 50	BOLT and WASHER ASS'Y	2	
21	161 - 44203 - 01	WIRE BRACKET	1	
22	011 - 00600 - 20	FLANGE BOLT	1	
23	014 - 90600 - 40	ADJUSTING SCREW	1	
24	002 - 17060 - 00	NUT	1	

FIG. 2 CRANKSHAFT and PISTON

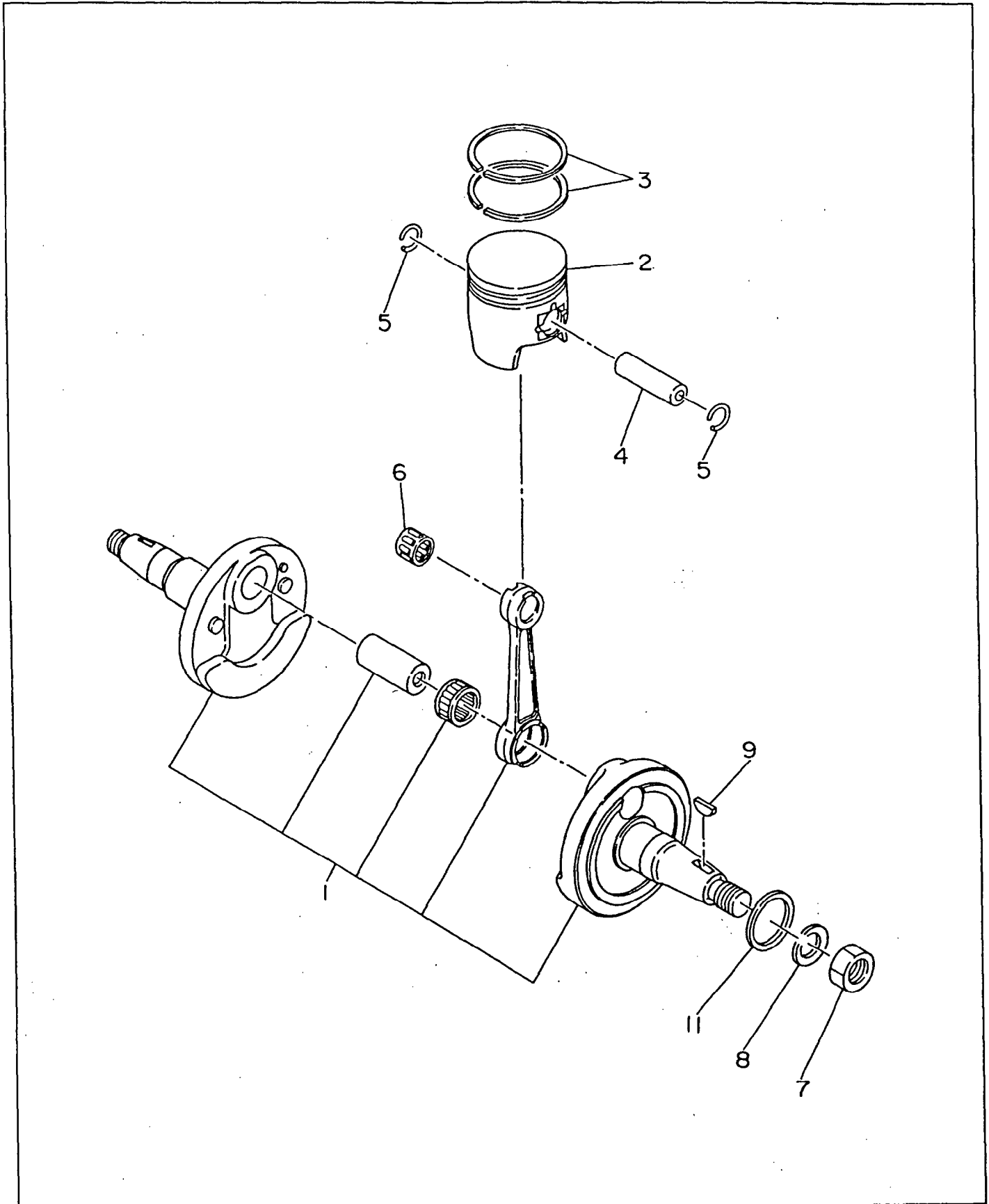


FIG. 3 MUFFLER

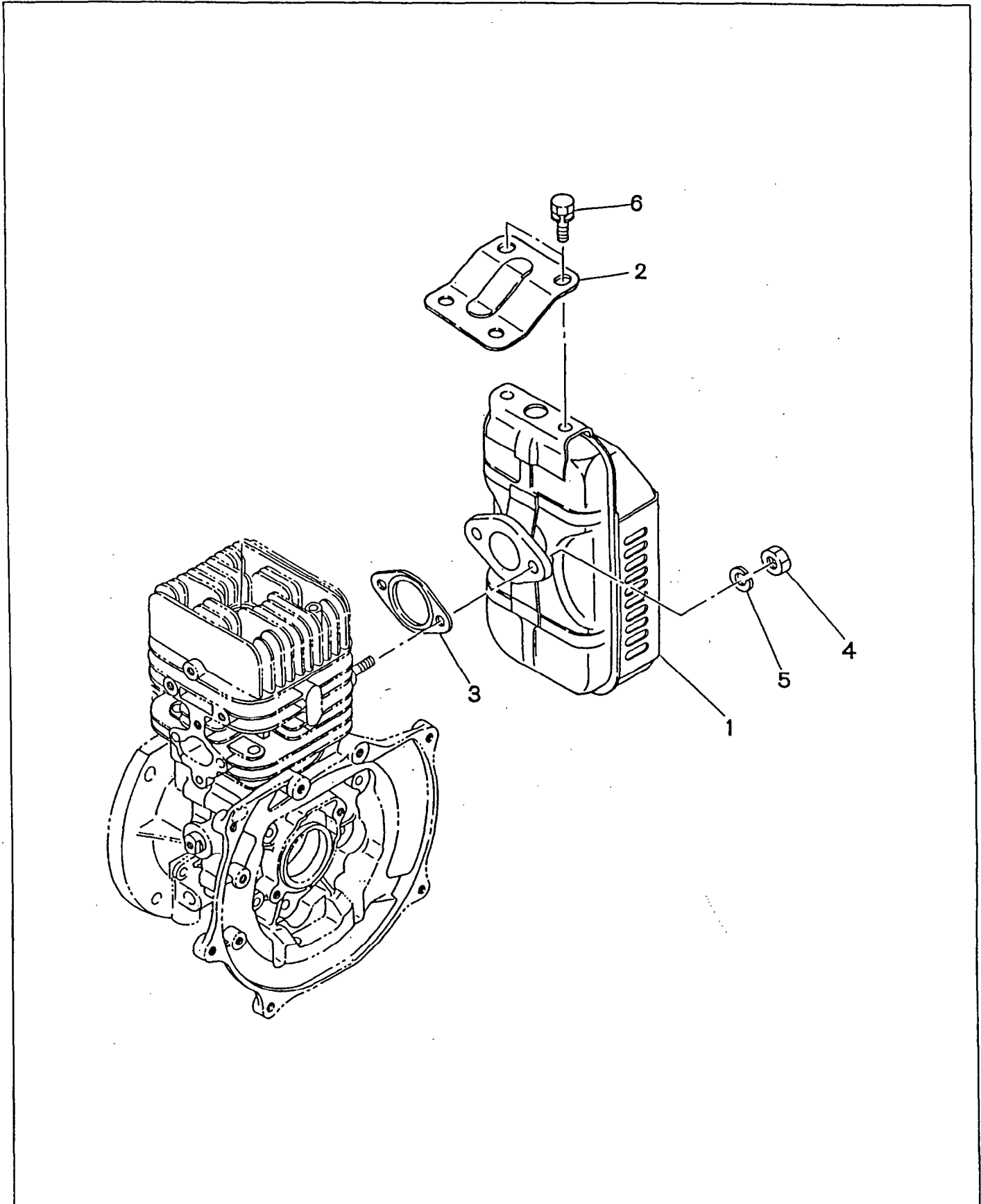


FIG. 4 BLOWER HOUSING and RECOIL STARTER

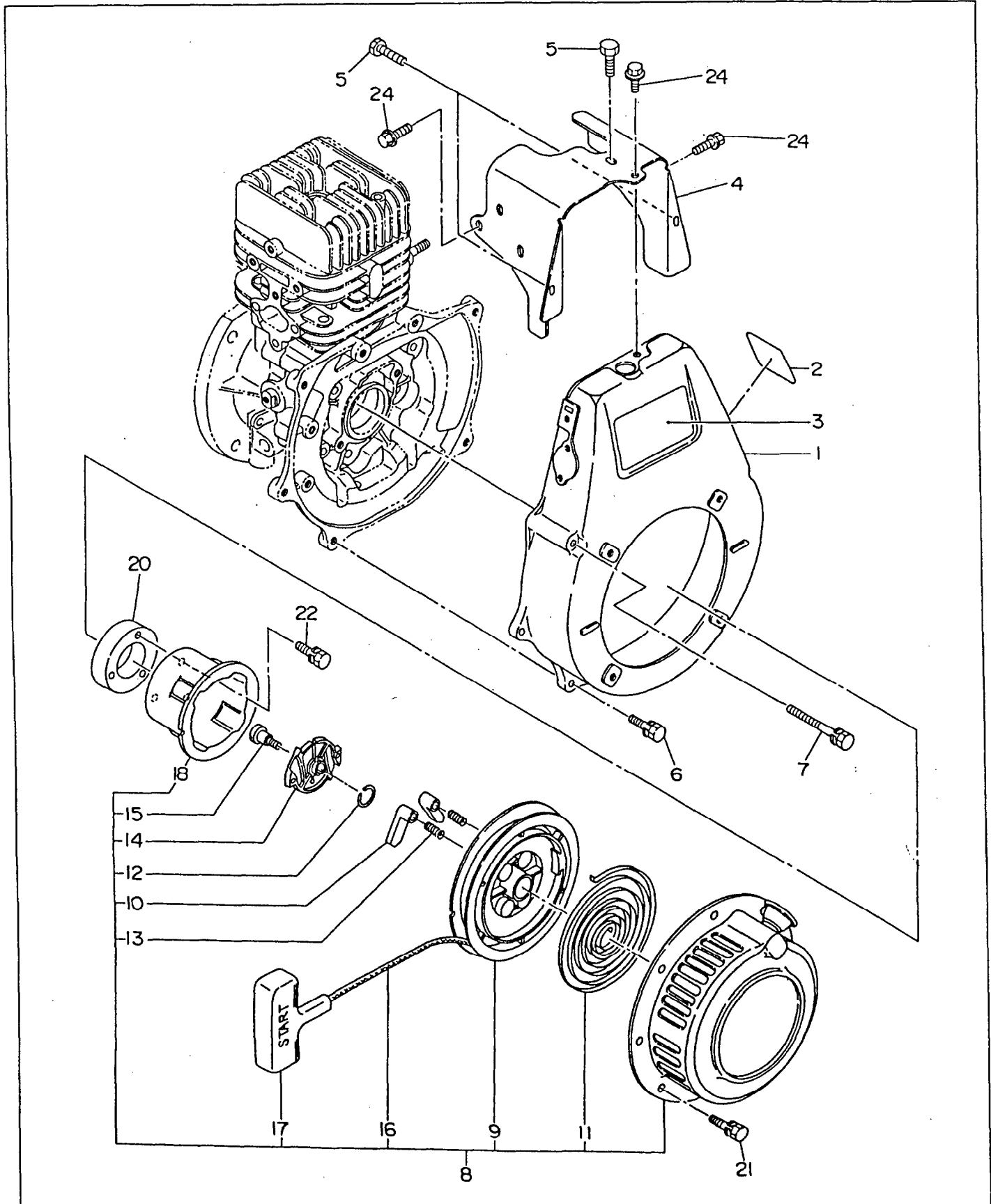


FIG. 5 ELECTRIC DEVICE

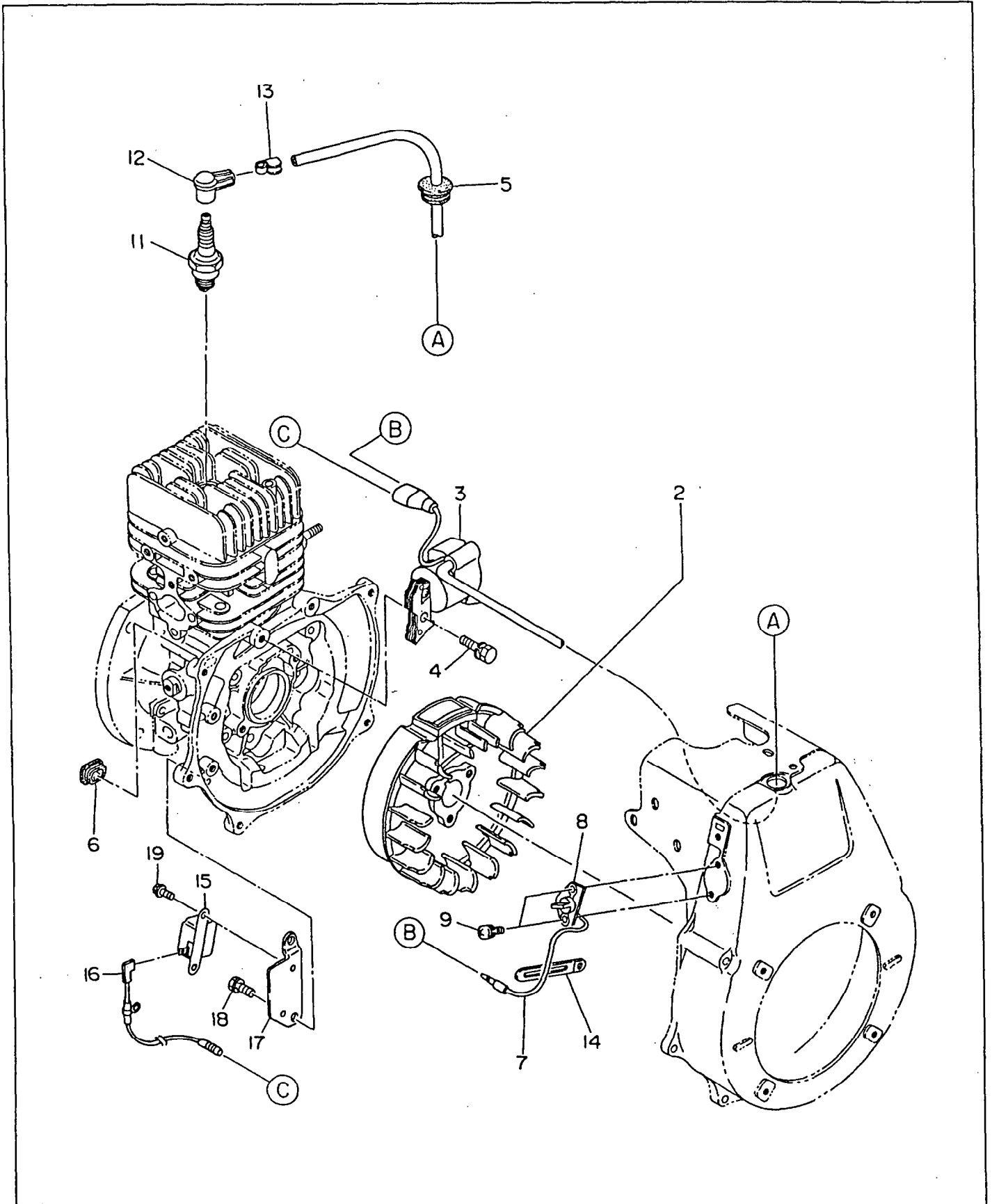


FIG. 5 ELECTRIC DEVICE

Interchangeability

Ref. No.	Parts Number	Description	Q'ty	Execution
2	161 - 75001 - 01	FLYWHEEL, compl.	1	
3	161 - 71202 - 11	IGNITION COIL compl.	1	
4	001 - 10062 - 00	BOLT and WASHER ASS'Y	2	
5	161 - 75001 - 03	GROMMET, high	1	
6	157 - 75002 - 03	GROMMET	1	
8	066 - 00003 - 71	SWITCH ASS'Y	1	
9	004 - 35041 - 20	SCREW and WASHER ASS'Y	2	
11	065 - 01404 - 70	SPARK PLUG (BMR6A)	1	
12	230 - 75101 - 13	SPARK PLUG CAP	1	
13	065 - 50001 - 00	SPARK PLUG CAP	1	
14	150 - 75201 - 03	CLAMP	1	
15	161 - 71500 - 01	SPEED LIMITER, compl.	1	
16	161 - 71501 - 01	LEAD WIRE, compl.	1	
17	161 - 75002 - 13	BRACKET, speed limiter	1	
18	011 - 00600 - 20	FLANGE BOLT	2	
19	001 - 16051 - 00	BOLT and WASHER ASS'Y	2	

FIG. 6 ACCESSORIES

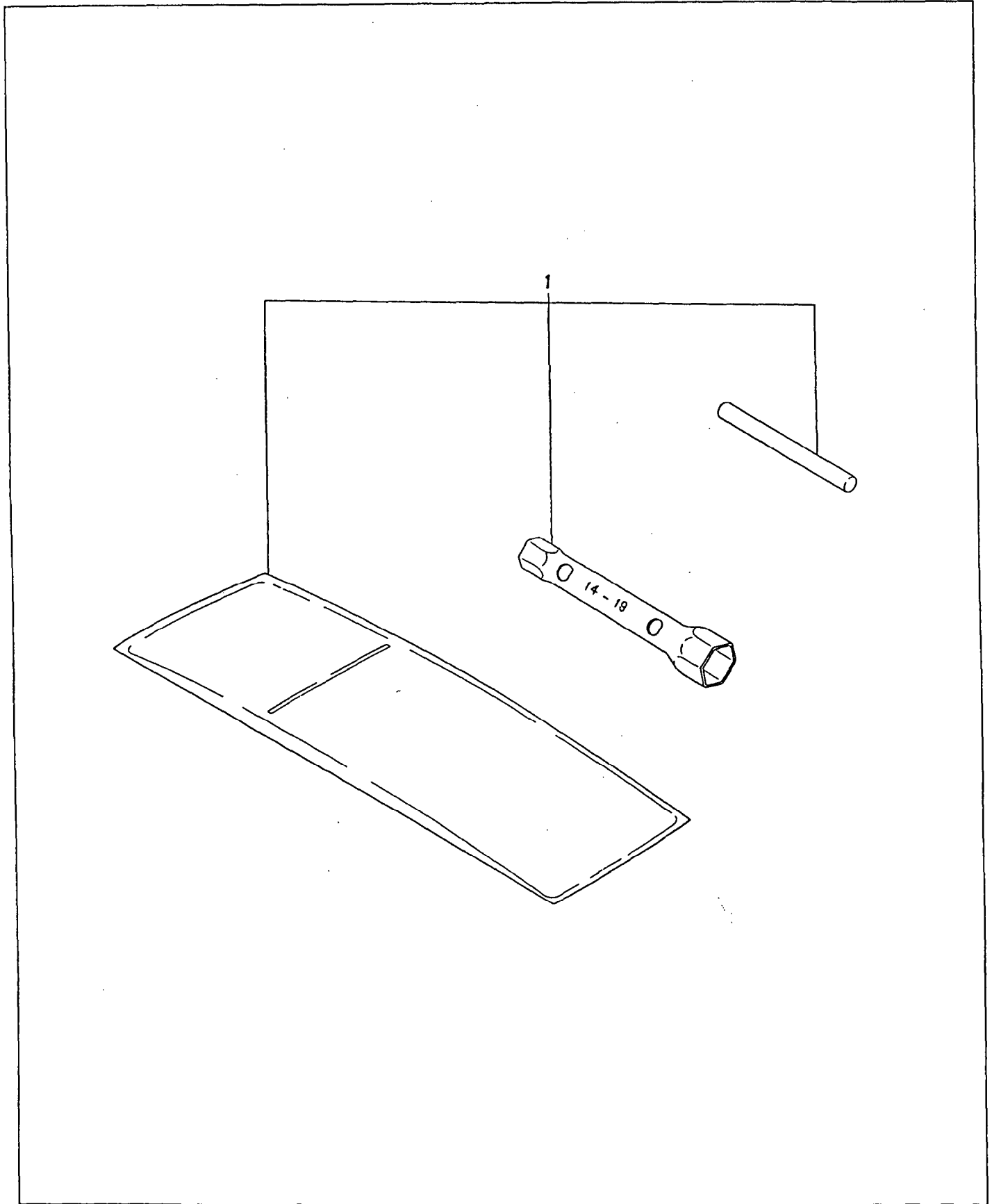


FIG. 7 PARTS TO BE SHIPPED LOOSE

