



**Robin Engine**

---

**Model EC04ER  
for COLEMAN**

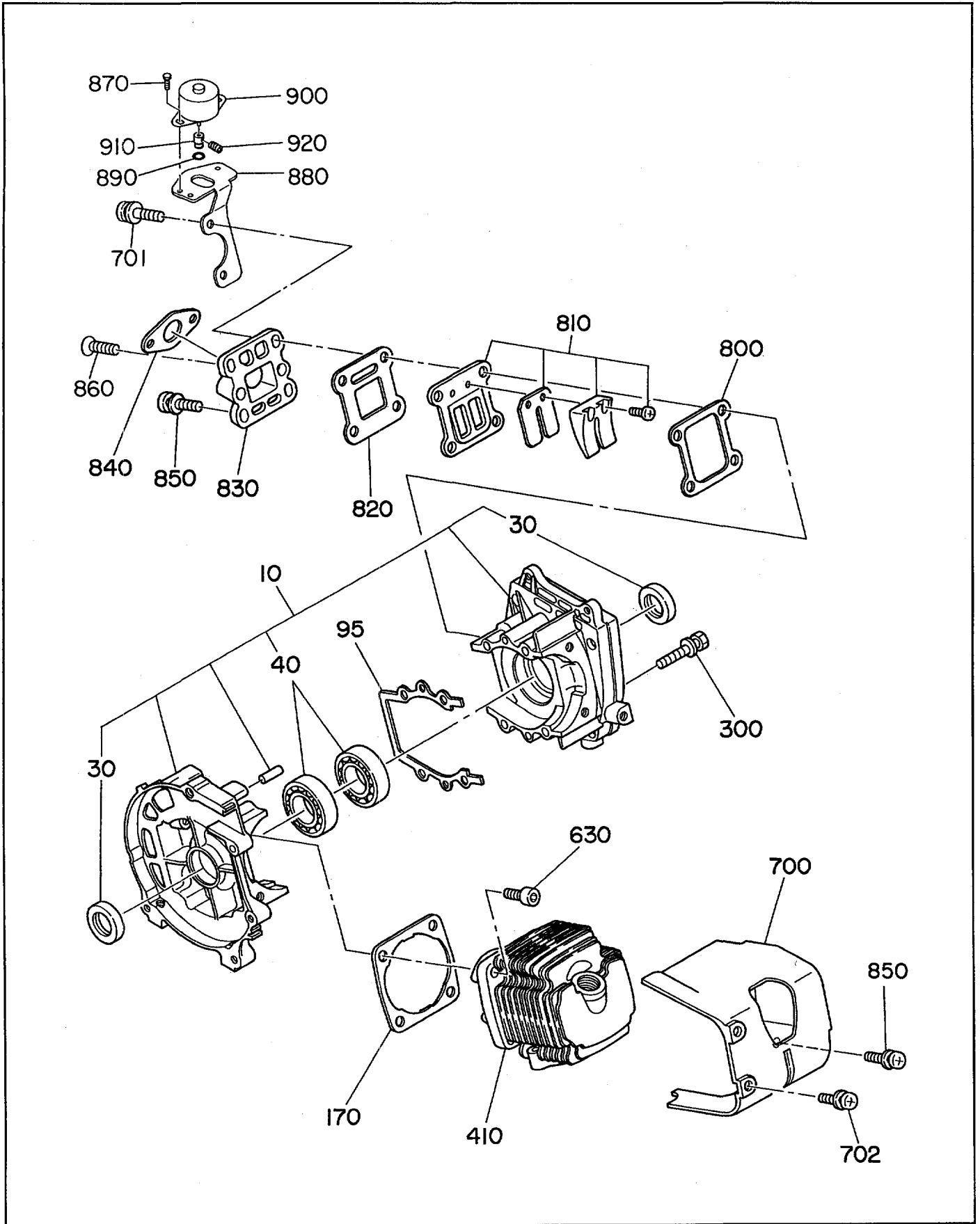
**PARTS CATALOG**

**Spec. No. EC04ER \* 0209**

 **FUJI HEAVY INDUSTRIES LTD.**

**ISSUE EMD-EP1343**

**FIG.1 CRANKCASE and CYLINDER**

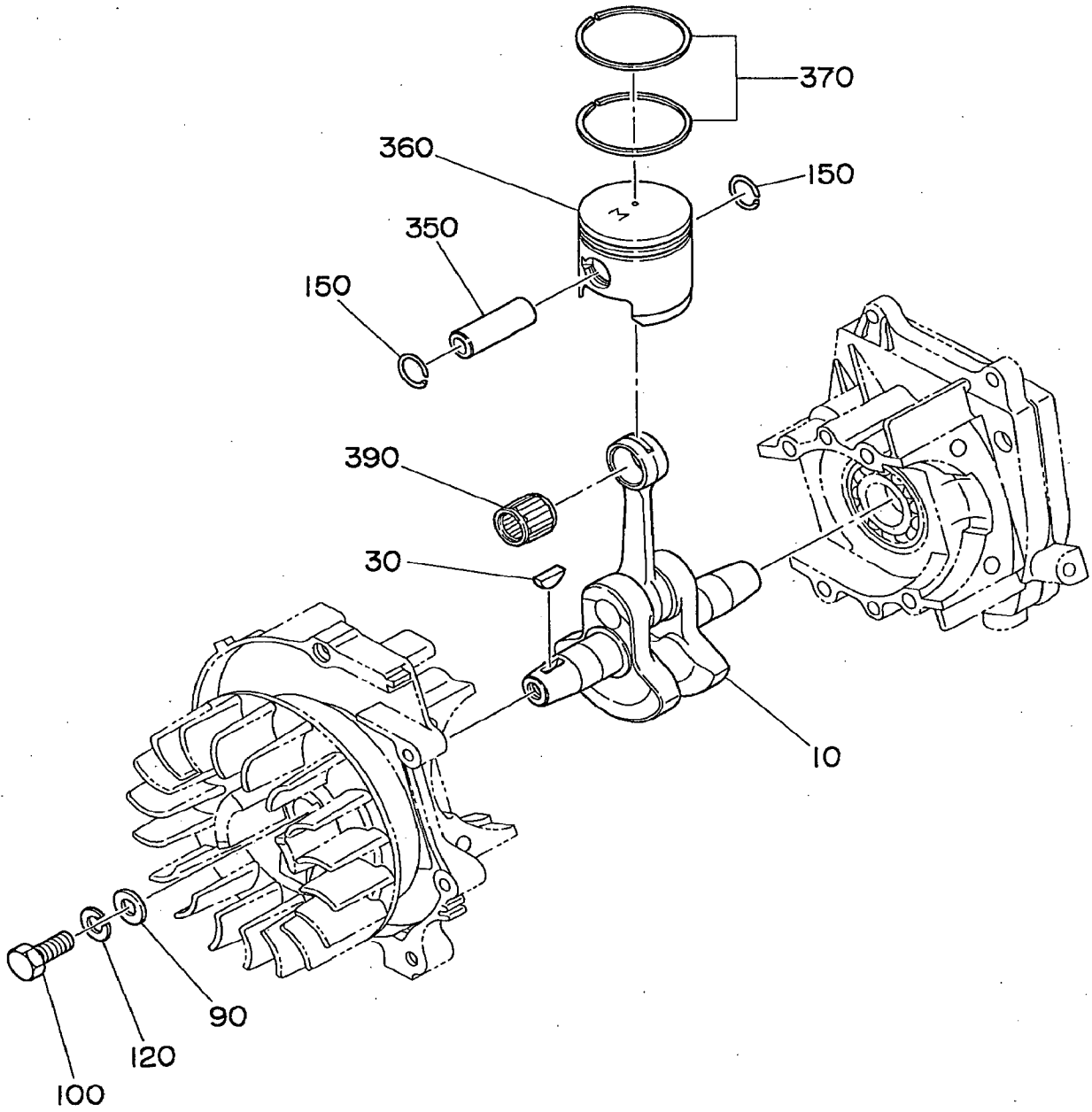


# FIG.1 CRANKCASE and CYLINDER

↙ Interchangeability

| Ref.<br>No. | Part Number  | Description                              | Q' ty | Execution |
|-------------|--------------|--|-------|-----------|
| *10         | 541-10050-00 | CRANKCASE ASS'Y Includes items 30 and 40 | 1     |           |
| 30          | 044-01599-71 | OIL SEAL                                 | 2     |           |
| 40          | 060-01598-80 | BALL BEARING                             | 2     |           |
| 95          | 541-15012-00 | GASKET, CRANKCASE                        | 1     |           |
| 170         | 541-15005-01 | GASKET, CYLINDER                         | 1     |           |
| 300         | 011-90599-40 | SOCKET HEAD BOLT                         | 4     |           |
| 410         | 541-15003-00 | CYLINDER                                 | 1     |           |
| 630         | 011-90699-90 | SOCKET HEAD BOLT                         | 4     |           |
| 700         | 541-55028-00 | COVER, CYLINDER                          | 1     |           |
| 701         | 004-35052-20 | SCREW ASS'Y                              | 2     |           |
| 702         | 004-37051-40 | SCREW ASS'Y                              | 1     |           |
| 800         | 541-35028-00 | GASKET, LEAD VALVE                       | 1     |           |
| 810         | 541-30070-00 | VALVE, LEAD ASS'Y                        | 1     |           |
| 820         | 541-35012-00 | GASKET, INSULATOR                        | 1     |           |
| 830         | 541-35033-01 | INSULATOR                                | 1     |           |
| 840         | 541-65023-00 | GASKET, CARBURETOR                       | 1     |           |
| 850         | 004-37052-00 | SCREW ASS'Y                              | 1     |           |
| 860         | 004-11051-80 | SCREW, COUNTER SUNK HEAD                 | 1     |           |
| 870         | 011-90399-90 | SOCKET HEAD BOLT                         | 2     |           |
| 880         | 541-45008-01 | BRACKET                                  | 1     |           |
| 890         | 541-45011-00 | O-RING                                   | 1     |           |
| 900         | 541-70310-00 | STEPPING MOTOR                           | 1     |           |
| 910         | 541-45009-00 | PULLEY, SM                               | 1     |           |
| 920         | 541-45012-00 | SPRING                                   | 1     |           |
|             |              |  |       |           |
|             |              |  |       |           |
|             |              |  |       |           |
|             |              |  |       |           |
|             |              |  |       |           |
|             |              |  |       |           |
|             |              |  |       |           |
|             |              |  |       |           |
|             |              |  |       |           |
|             |              |  |       |           |
|             |              |  |       |           |
|             |              |  |       |           |
|             |              |  |       |           |
|             |              |  |       |           |
|             |              |  |       |           |
|             |              |  |       |           |
|             |              |  |       |           |
|             |              |  |       |           |
|             |              |  |       |           |
|             |              |  |       |           |
|             |              |  |       |           |
|             |              |  |       |           |
|             |              |  |       |           |
|             |              |  |       |           |
|             |              |  |       |           |
|             |              |  |       |           |
|             |              |  |       |           |

**FIG.2 CRANKSHAFT and PISTON**





**FIG.3 AIR CLEANER**

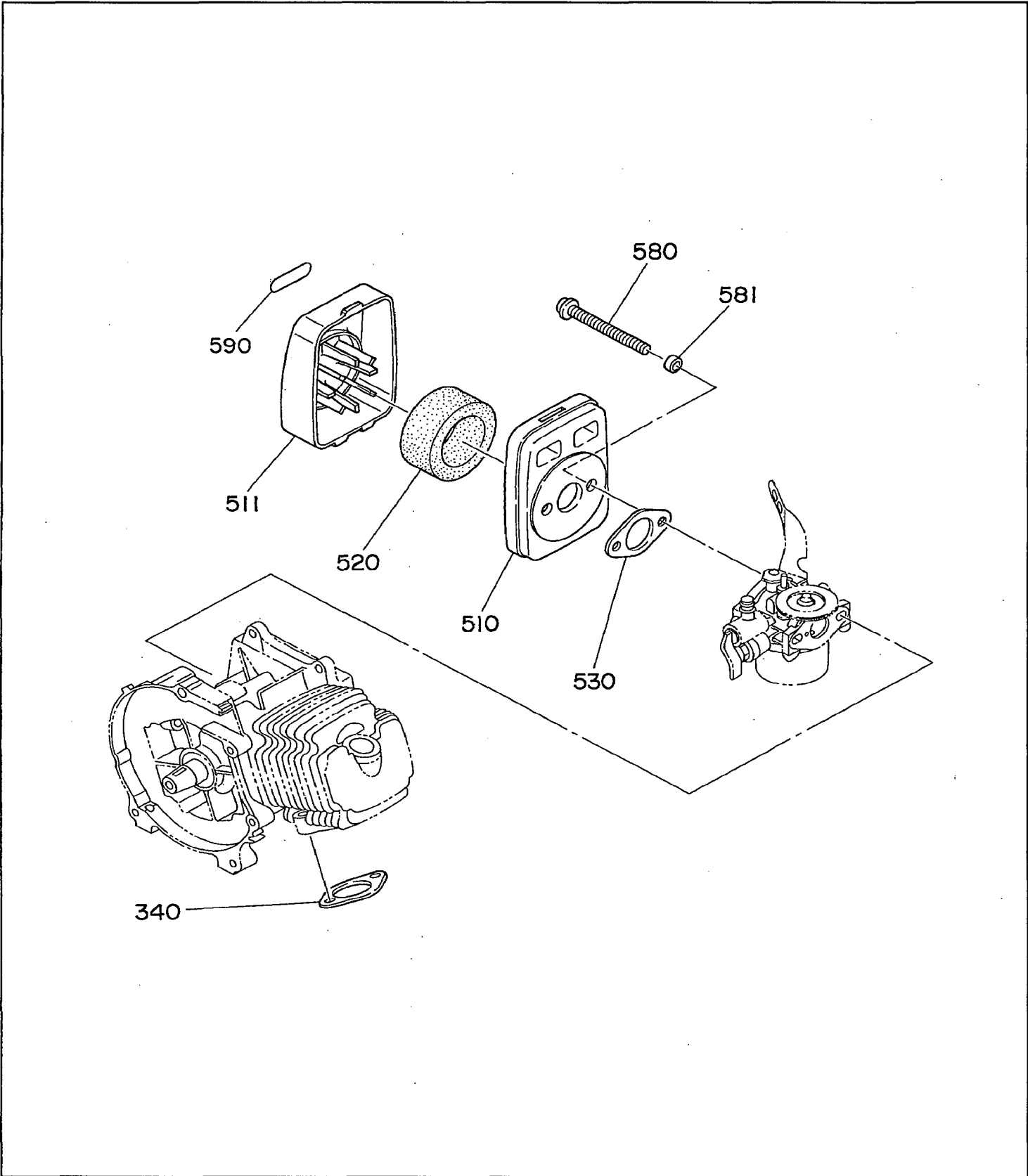
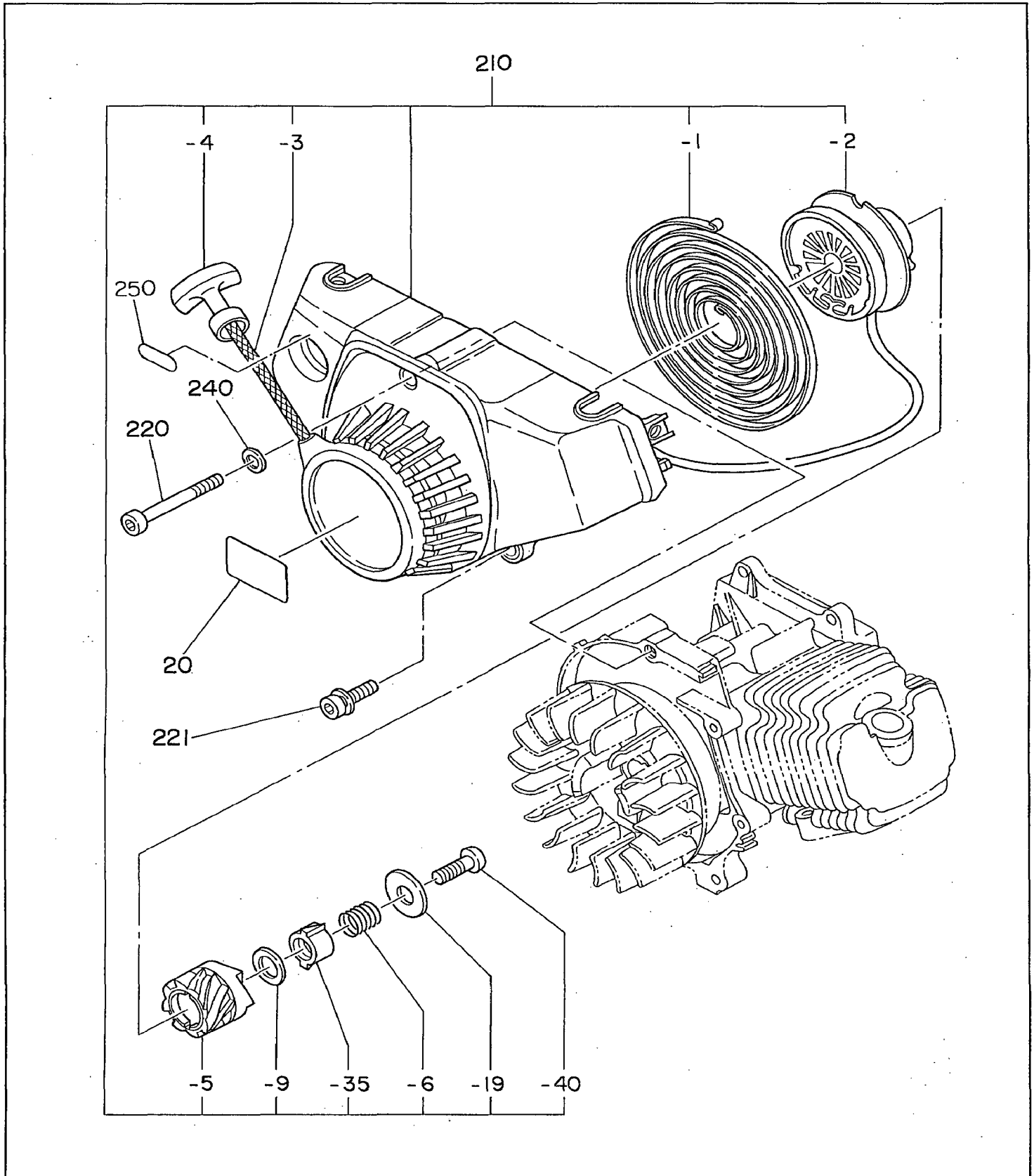




FIG.5 RECOIL STARTER



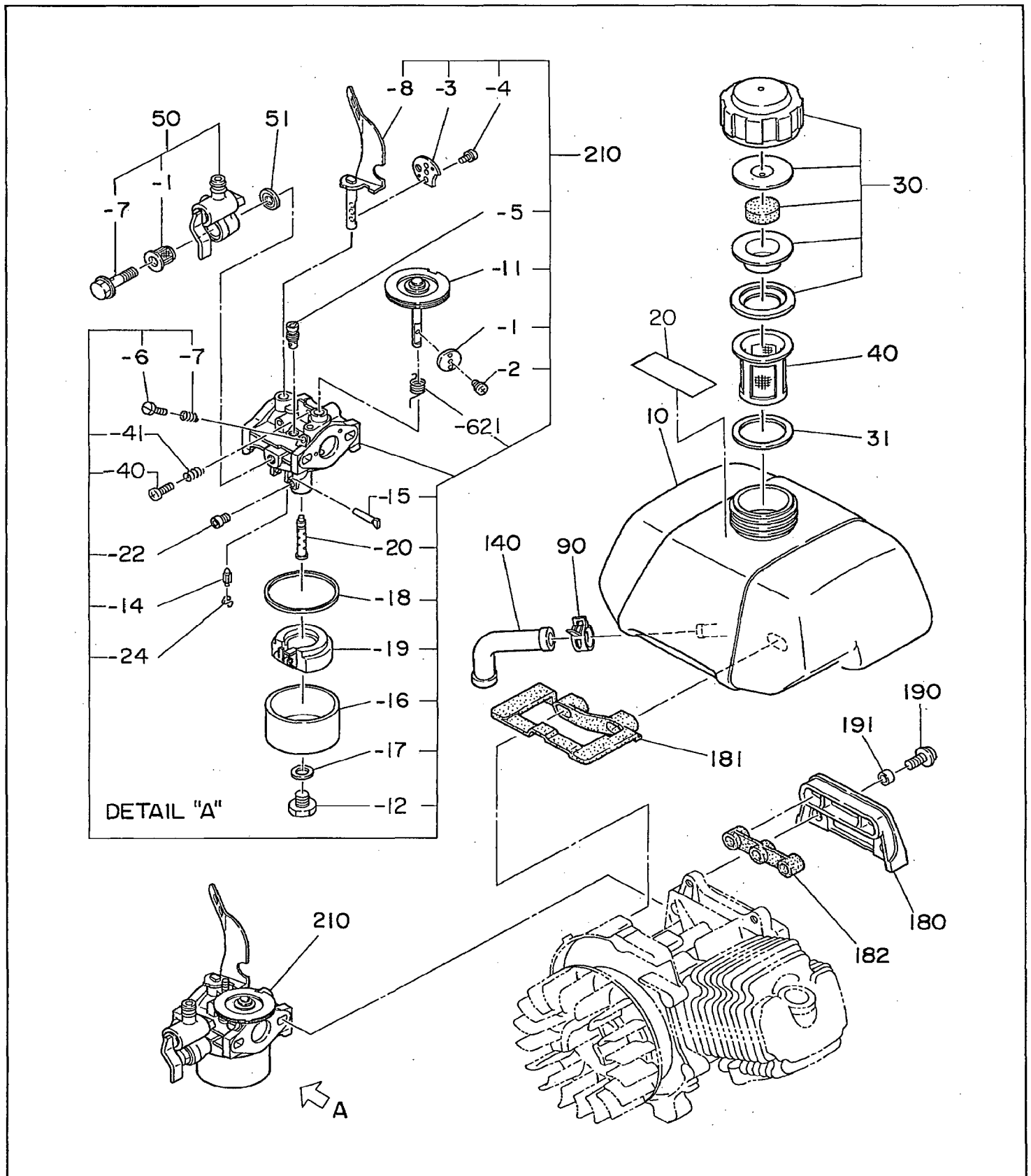
'99-3

EC04ER (COLEMAN)





**FIG.6 FUEL TANK and CARBURETOR**

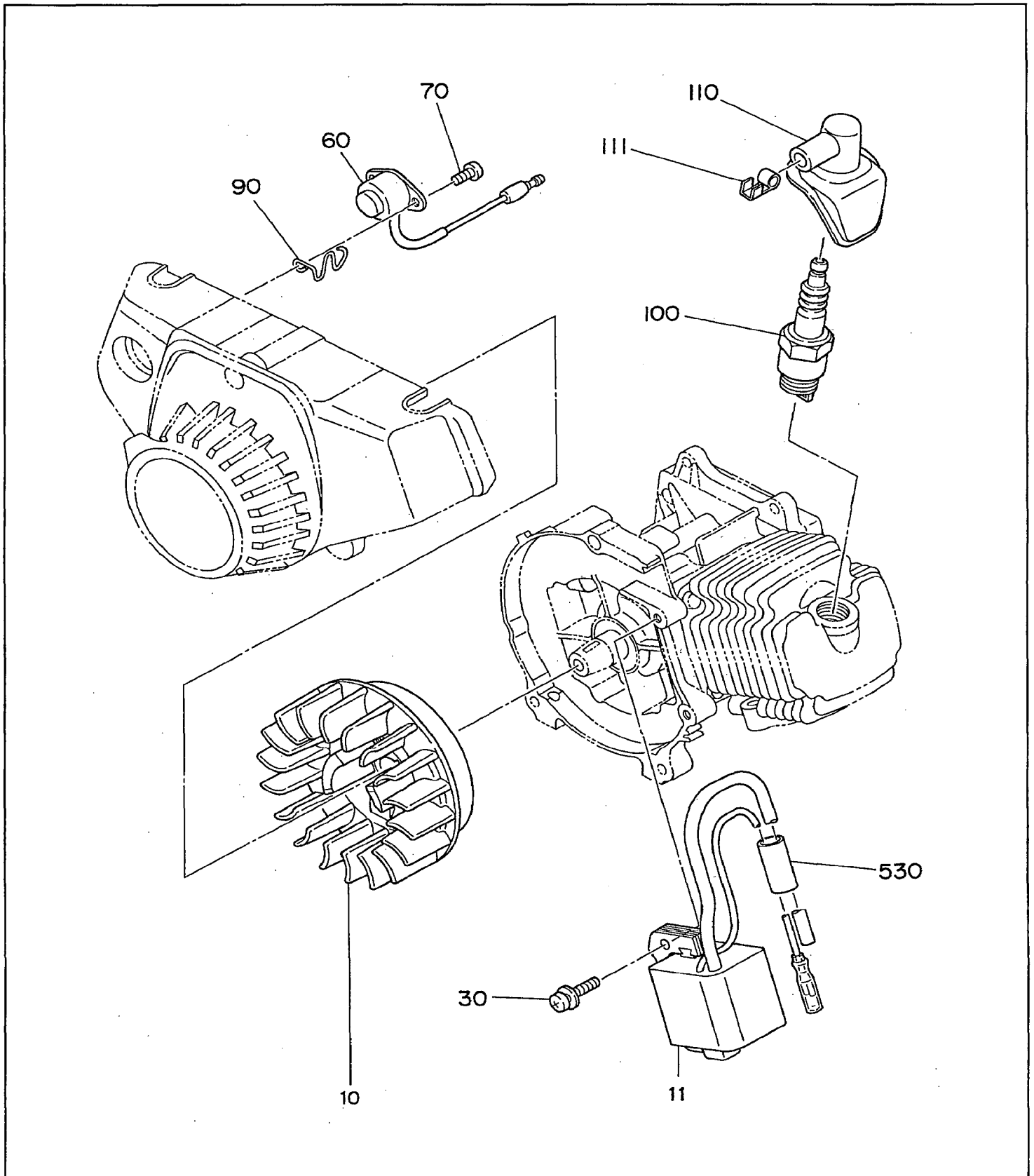


# FIG.6 FUEL TANK and CARBURETOR

↵ Interchangeability

| Ref. No. | Part Number  | Description                                      | Q'ty | Execution |
|----------|--------------|--|------|-----------|
| 10       | 541-65050-00 | TANK, FUEL                                       | 1    |           |
| 20       | 073-65599-20 | LABEL  | 1    |           |
| 30       | 541-60500-00 | CAP, FUEL TANK ASS'Y                             | 1    |           |
| 31       | 551-65005-01 | GASKET   | 1    |           |
| 40       | 064-12799-90 | FILTER, FUEL                                     | 1    |           |
| *50      | 541-60100-00 | COCK, FUEL Includes items "-1" and "-7"          | 1    |           |
| -1       | 541-65022-00 | FILTER, FUEL                                     | 1    |           |
| -7       | 541-65021-00 | PLATE  | 1    |           |
| 51       | 690-45005-00 | WASHER, SEAL                                     | 1    |           |
| 90       | 056-11399-82 | HOSE CLAMP                                       | 1    |           |
| 140      | 541-65002-00 | TUBE, FUEL                                       | 1    |           |
| 180      | 541-65003-00 | BRACKET, FUEL TANK                               | 1    |           |
| 181      | 541-65019-00 | DAMPER   | 1    |           |
| 182      | 541-65011-00 | DAMPER   | 1    |           |
| 190      | 001-17051-40 | BOLT ASS'Y                                       | 2    |           |
| 191      | 023-00599-90 | SPACER   | 2    |           |
| *210     | 541-60490-04 | CARBURETOR ASS'Y Includes items "-1" thru "-160" | 1    |           |
| -1       | 541-60020-10 | THROTTLE VALVE                                   | 1    |           |
| -2       | 580-61110-10 | SCREW  | 3    |           |
| -3       | 541-60022-60 | CHOKE VALVE                                      | 1    |           |
| -5       | 560-60030-20 | PILOT JET  | 1    |           |
| -8       | 541-60021-40 | CHOKE SHAFT                                      | 1    |           |
| -10      | 541-60022-30 | SCREW  | 1    |           |
| -11      | 541-60490-14 | THROTTLE SHAFT                                   | 1    |           |
| -14      | 541-60023-10 | NEEDLE VALVE                                     | 1    |           |
| -15      | 541-60020-50 | PIN  | 1    |           |
| -16      | 541-60020-30 | FLOAT BODY                                       | 1    |           |
| -17      | 541-60022-40 | PACKING  | 1    |           |
| -18      | 541-60021-10 | PACKING  | 1    |           |
| -19      | 541-60022-10 | FLOAT  | 1    |           |
| -22      | 530-60180-20 | MAIN JET   | 1    |           |
| -24      | 541-60023-20 | CLIP   | 1    |           |
| -25      | 804-60012-30 | SPRING   | 1    |           |
| -160     | 541-60021-20 | BOLT   | 1    |           |
|          |              |  |      |           |
|          |              |  |      |           |
|          |              |  |      |           |
|          |              |  |      |           |
|          |              |  |      |           |
|          |              |  |      |           |
|          |              |  |      |           |
|          |              |  |      |           |
|          |              |  |      |           |
|          |              |  |      |           |
|          |              |  |      |           |
|          |              |  |      |           |
|          |              |  |      |           |
|          |              |  |      |           |
|          |              |  |      |           |
|          |              |  |      |           |

**FIG.7 MAGNETO**



'99-3

EC04ER (COLEMAN)

