



*TO: Yoshi Komatsu.*

**Robin Engine**

---

**Model EC12**

**for WEBER**

**PARTS CATALOG**

Spec. No. EC120D47340

 **FUJI HEAVY INDUSTRIES LTD.**

---

ISSUE EMD-EP1357

FIG. 100

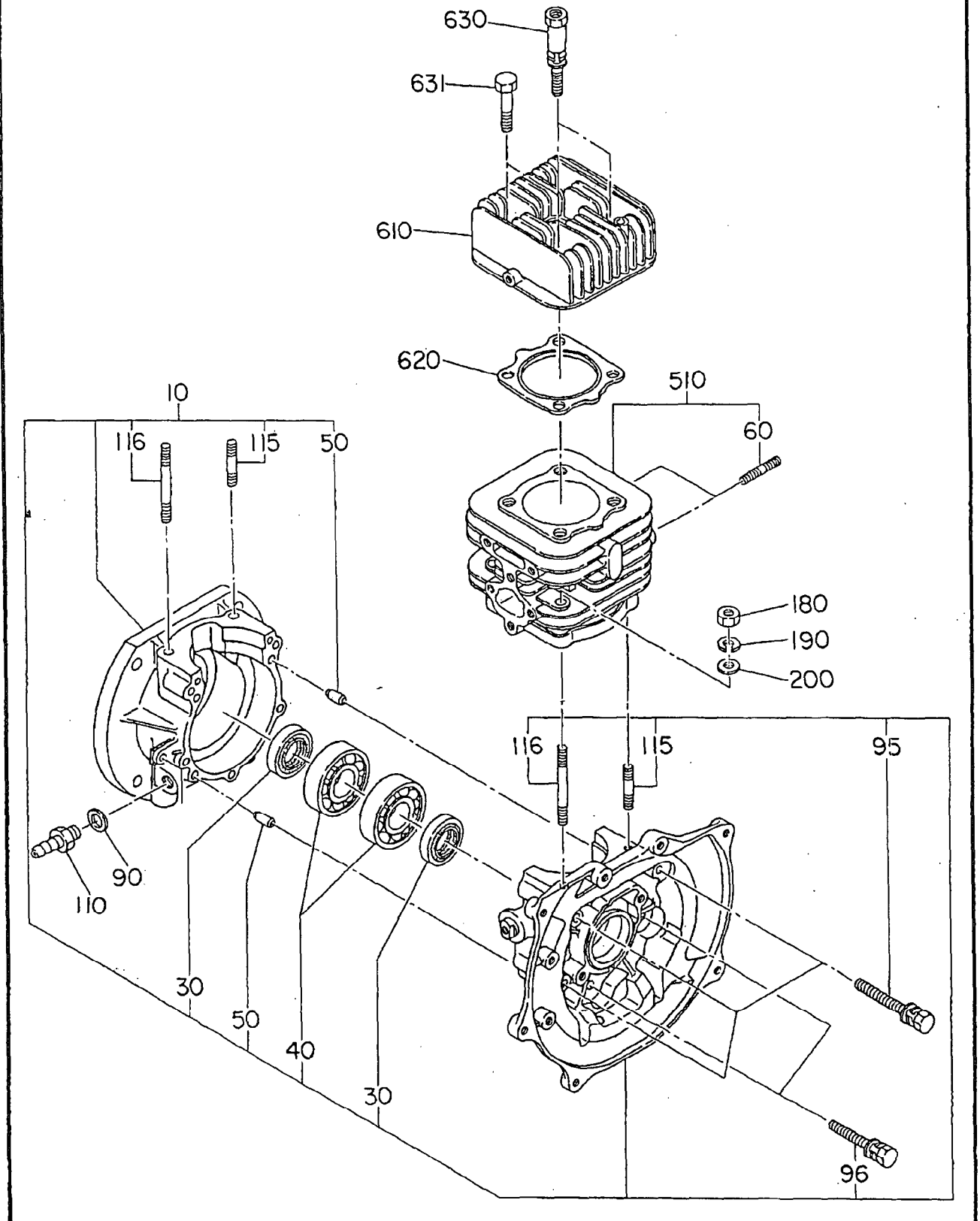




FIG. 200

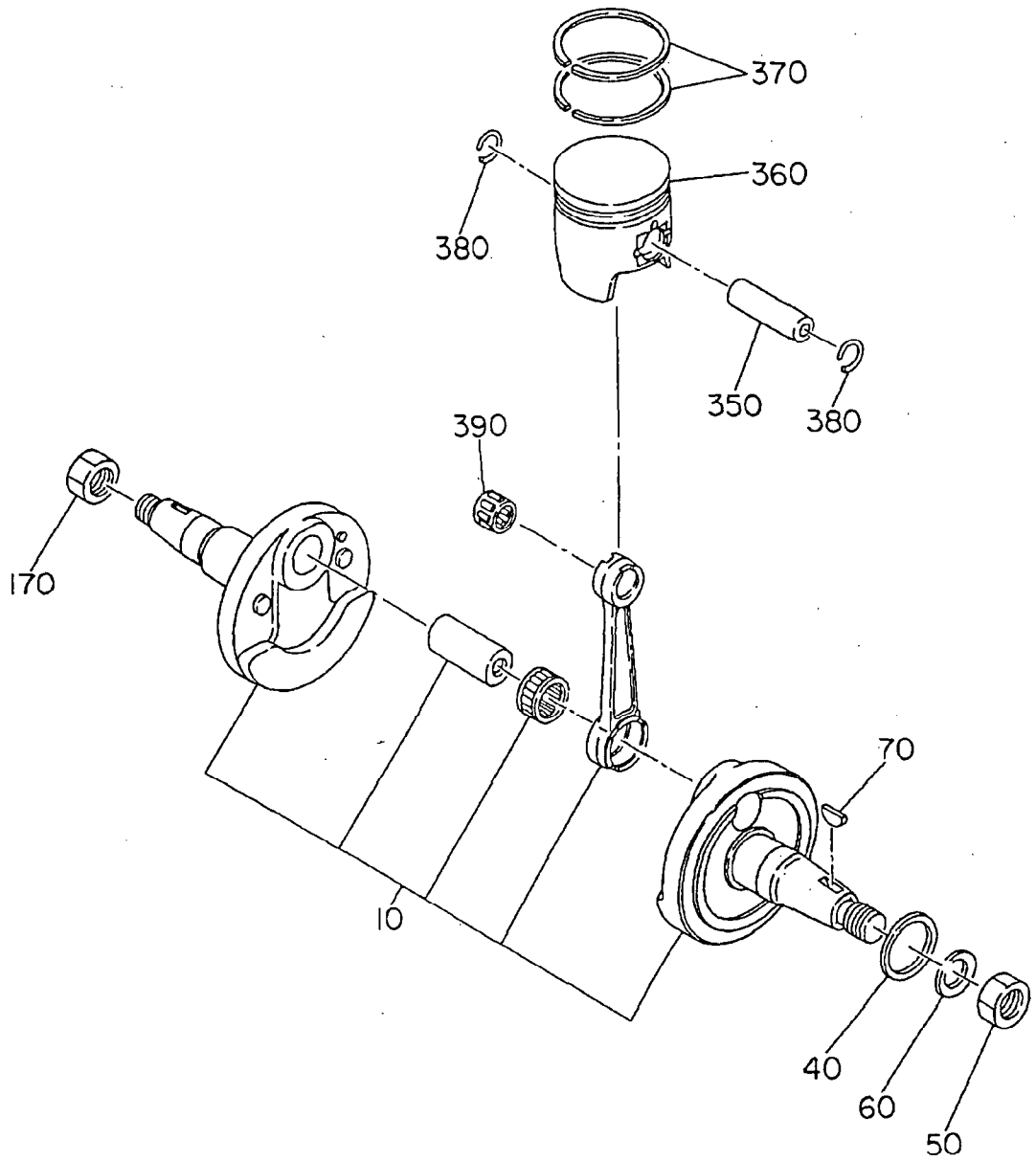




FIG. 300

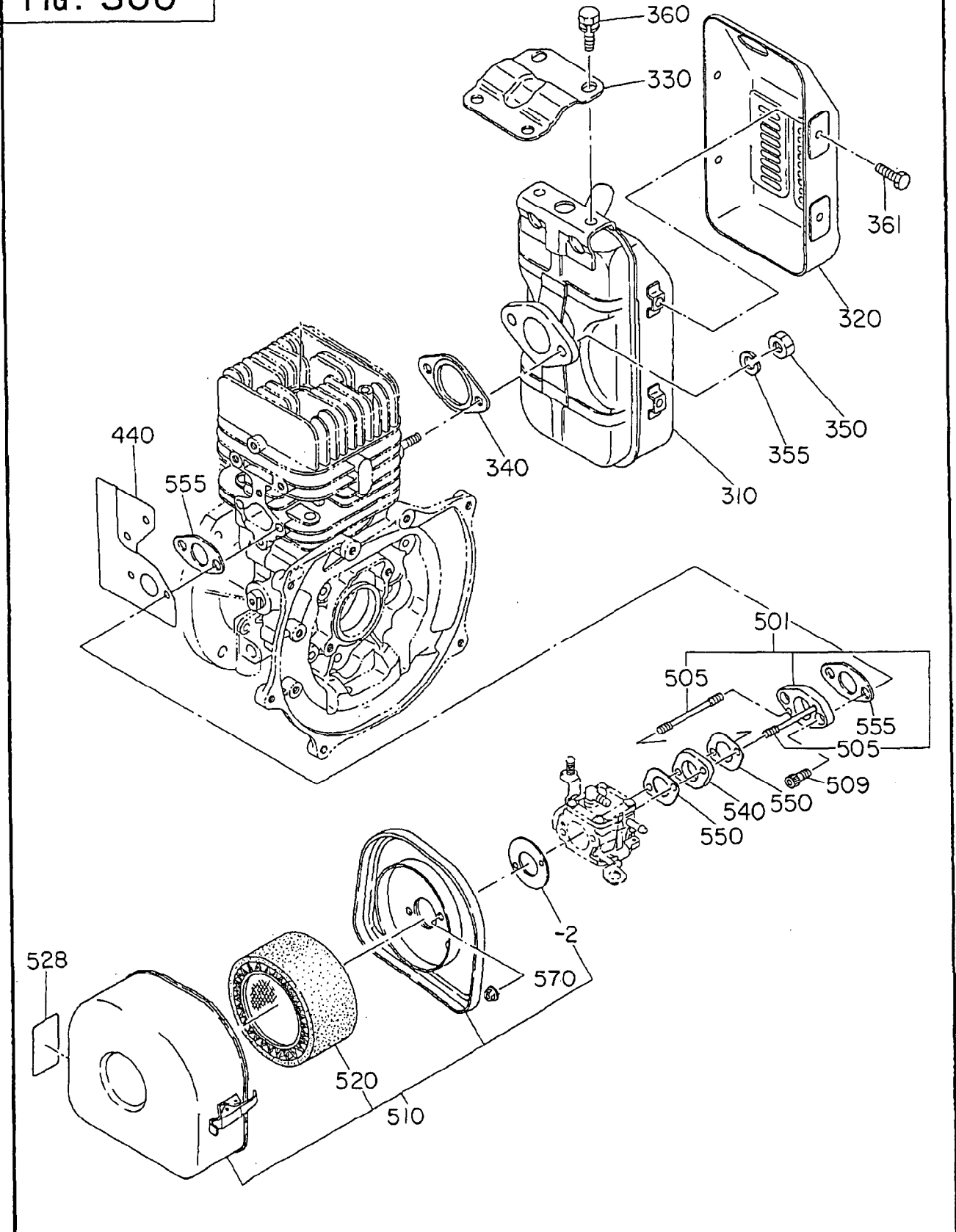




FIG. 500

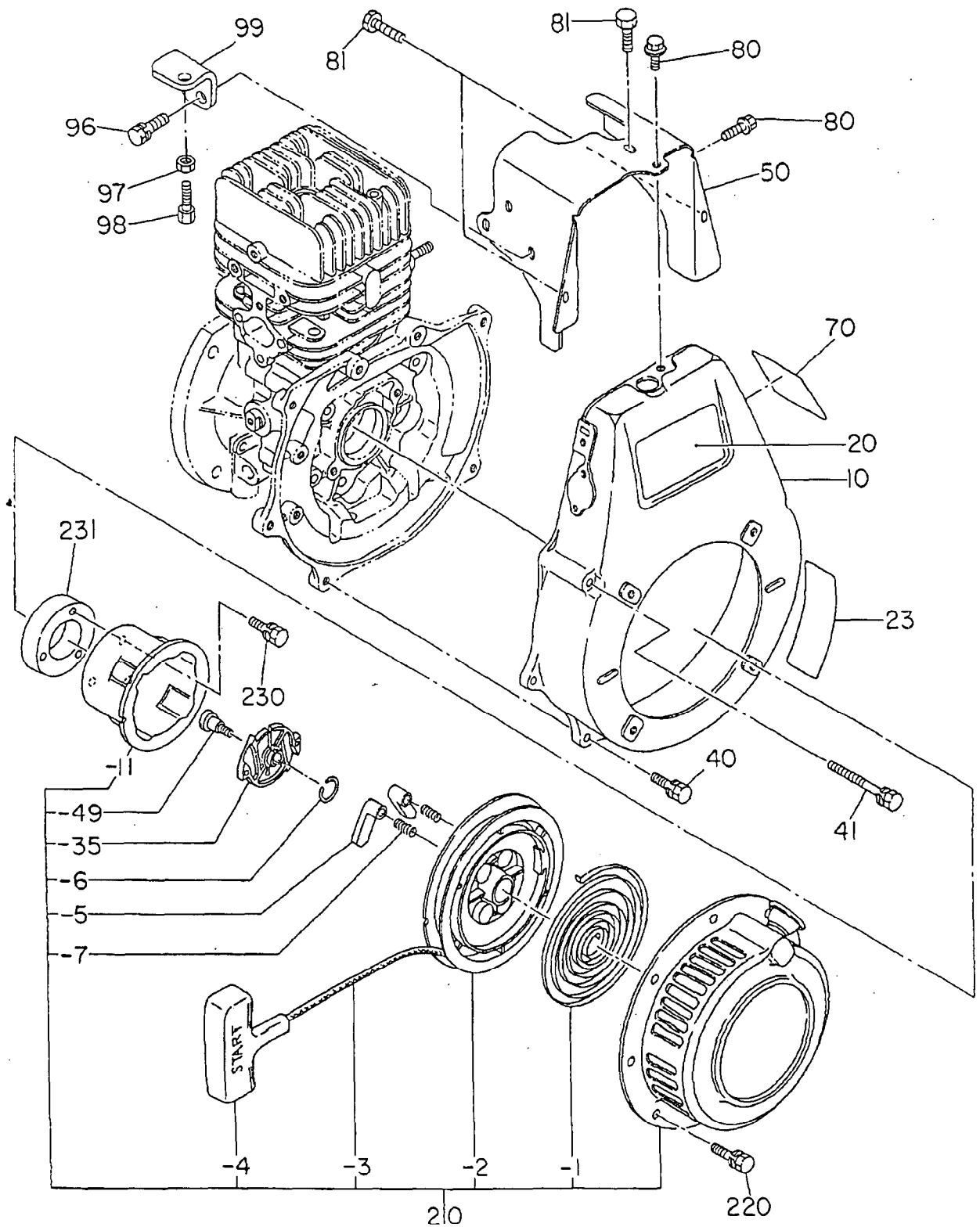
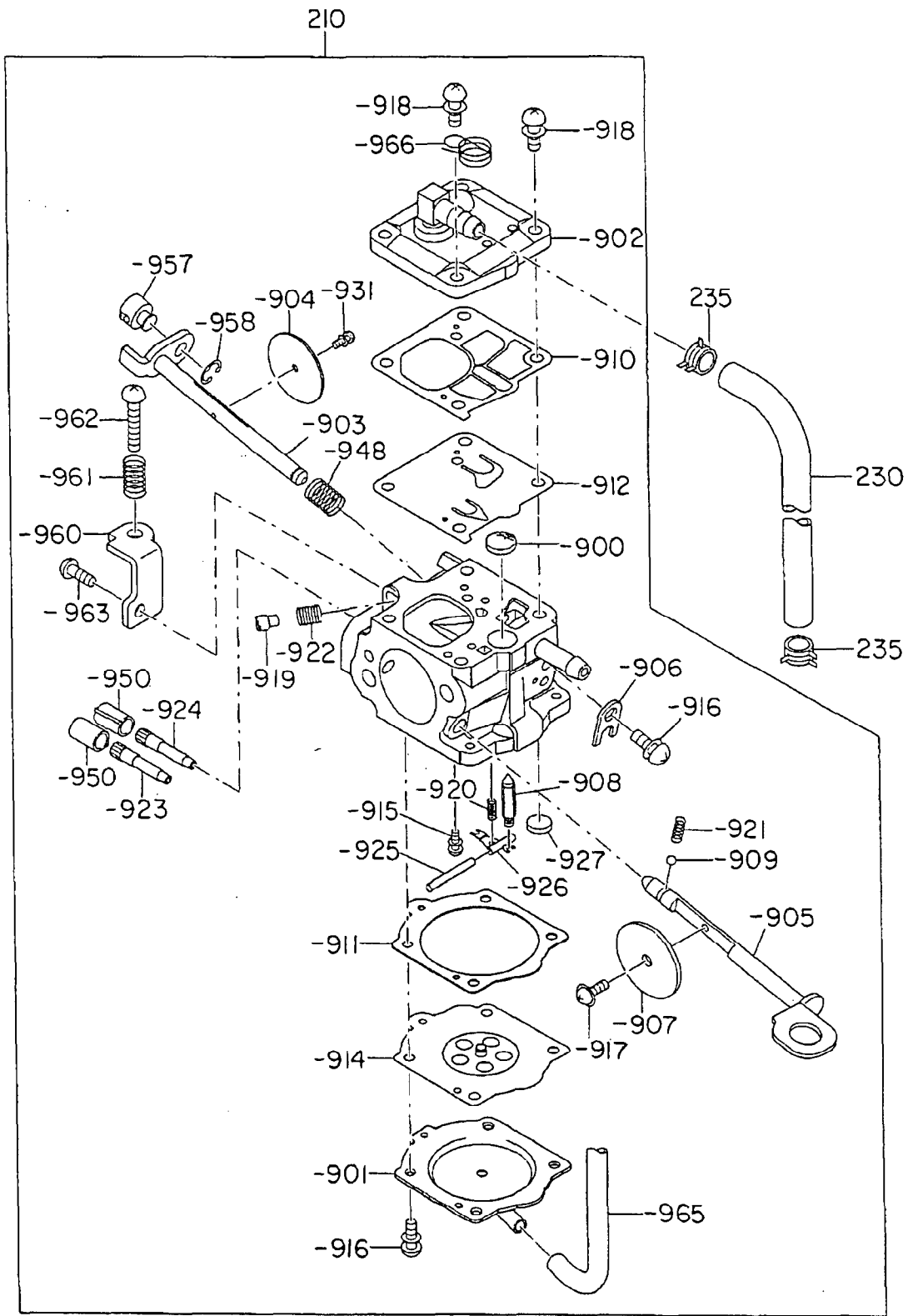






FIG. 600



## 6 FUEL. LUBRICANT

REF.	PART NUMBER	PART NAME	QTY	REMARKS	CODE NO. FROM-TO	INTERCHANGEABLE PART NUMBER	UNIT PRICE	FIG.
210	161-62453-00	CARBURETOR AY	1		-			600
-900	501-60040-10	SCREEN, INLET	1		-			600
-901	161-62375-08	COVER AY. METERING	1		-			600
-902	580-60840-20	COVER AY. PUMP	1		-			600
-903	161-62534-08	SHAFT AY THROTTLE	1		-			600
-904	161-62537-08	VALVE(THROTTLE)	1		-			600
-905	161-62523-08	SHAFT AY(CHOKE)	1		-			600
-906	510-60450-40	CLIP-THROTTLE SHAFT	1		-			600
-907	161-62527-08	VALE(CHOKE)	1		-			600
-908	106-62568-18	VALVE, INLET NEEDLE	1		-			600
-909	106-62569-08	BALL	1		-			600
-910	147-62562-08	GASKET(PUMP)	1		-			600
-911	106-62571-08	GASKET	1		-			600
-912	161-62200-08	DIAPHRAGM(PUMP)	1		-			600
-914	106-62574-08	DIAPHRAGM AY	1		-			600
-915	106-62575-08	SCREW	1		-			600
-916	106-62576-08	SCREW AY	5		-			600
-917	510-60451-40	SCREW-VALVE	1		-			600
-918	106-62578-08	SCREW (PUMP COVER)	4		-			600
-919	106-62589-08	SCREW (IDLE ADJUST)	1		-			600
-920	106-62596-08	SPRING(METERING LEV)	1		-			600
-921	106-62581-08	SPRING (CHOKE)	1		-			600
-922	106-62579-08	SPRING (IDLE)	1		-			600
-923	161-62501-08	NEEDLE(IDLE)	1		-			600
-924	161-62502-08	NEEDLE(HIGH SPEED)	1		-			600
-925	106-62585-08	PIN	1		-			600
-926	147-62576-08	LEVER(METERING)	1		-			600
-927	161-62250-08	PLUG(WELCH)	1		-			600
-931	147-62573-08	SCREW (VALVE)	1		-			600
-948	161-62450-08	SPRING THROTTLE RTN.	1		-			600
-950	161-62388-08	CAP LIMITER	2		-			600
-957	161-62378-08	SWIVEL	1		-			600
-958	143-62564-08	RING	1		-			600
-960	161-62372-08	BRACKET	1		-			600
-961	147-62569-08	SPRING(NEEDLE)	1		-			600
-962	161-62386-08	SCREW	1		-			600

99/04/20

P. 10

EC120D47340 EX, WEBER, EPA



FIG. 700

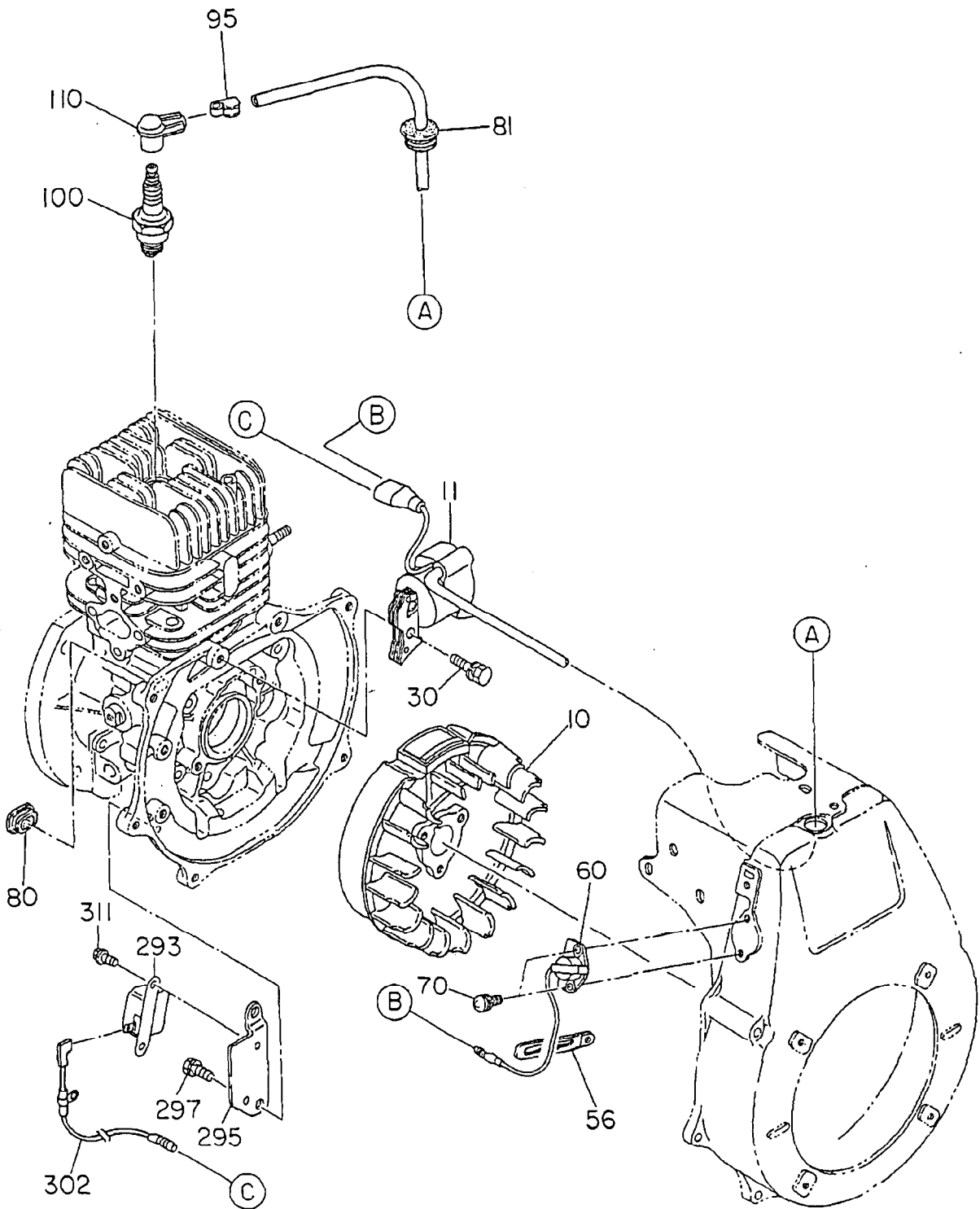




FIG. 900

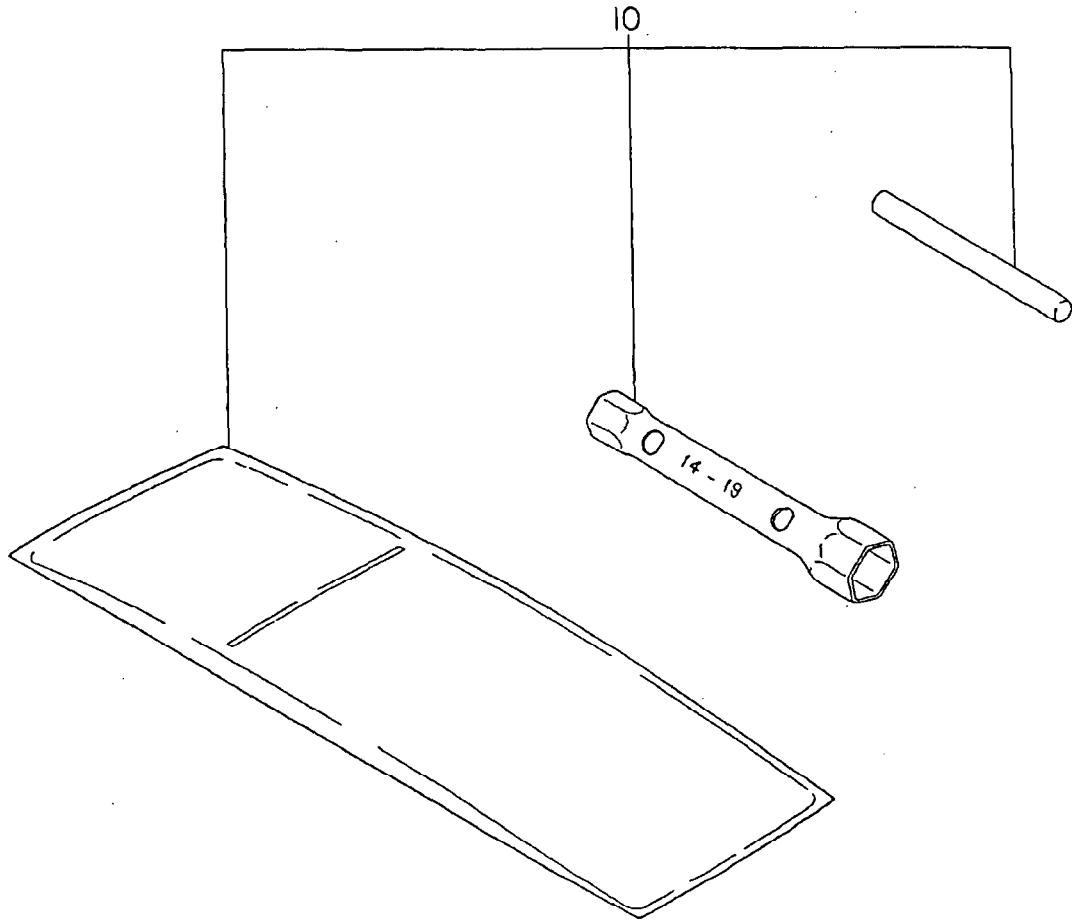






FIG. 1 000

