



**Robin Engines**

---

Model EC10  
for **SAKAI**<sup>®</sup>

# **PARTS CATALOG**

Spec.No.EC100DD6770

 **FUJI HEAVY INDUSTRIES LTD.**

---

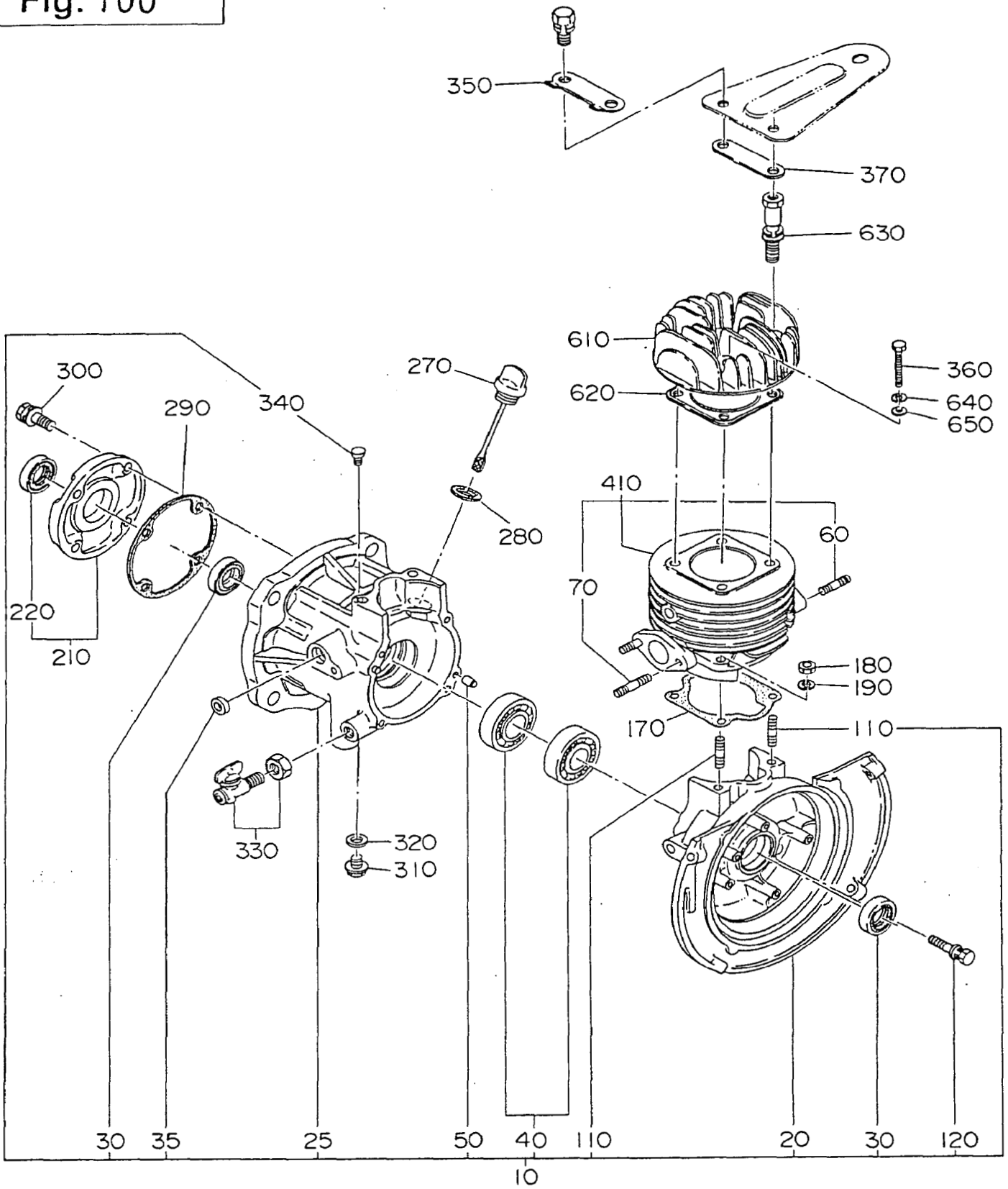
JULY 1990

ISSUE EMD-EP5319

## TABLE OF CONTENTS

1. CRANKCASE GROUP
2. CRANKSHAFT, PISTON GROUP
3. INTAKE, EXHAUST GROUP
4. GOVERNOR, OPERATION GROUP
5. COOLING, STARTING GROUP
6. FUEL, LUBRICANT GROUP
7. ELECTRIC DEVICE GROUP
9. ACCESSORIES GROUP
10. PARTS TO BE SHIPPED LOOSE GROUP

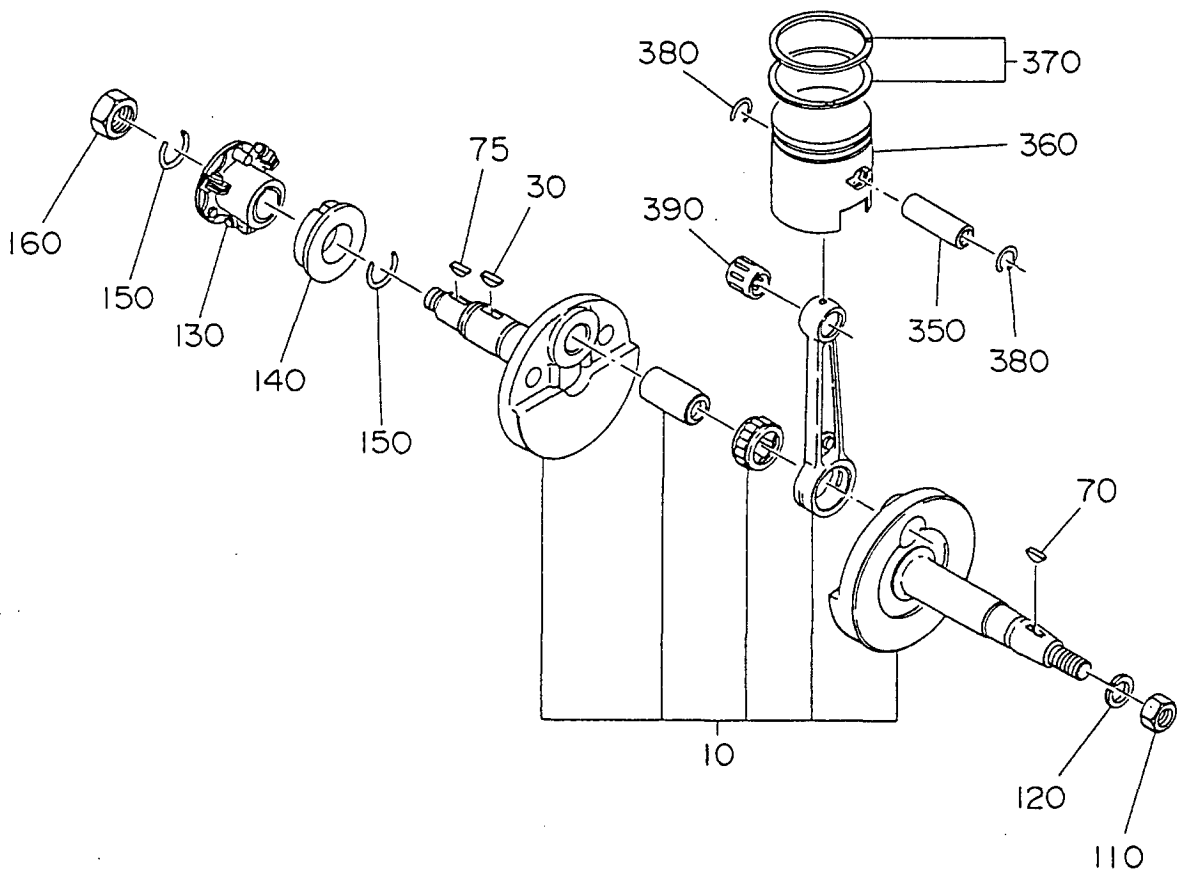
Fig. 100



1 CRANKCASE GROUP

REF.	PART NUMBER	PART NAME	QTY	REMARKS	CODE NO. FROM-TO	INTERCHANGEABLE PART NUMBER	UNIT PRICE	FIG.
10	106-10711-01	CRANKCASE CP	1		-			100
20	106-10121-03	CRANKCASE 1	1		-			100
25	106-10701-23	CRANKCASE 2	1		-			100
30	044-02000-10	OIL SEAL	2		-	044-02000-30		100
35	044-00800-10	OIL SEAL	1		-			100
40	060-02000-20	BALL BEARING	2		-			100
50	031-00600-10	DOWELL PIN	2		-			100
60	001-31083-01	STUD	2		-			100
70	001-31063-01	STUD	2		-			100
110	010-50700-10	STUD	4		-			100
120	013-00601-00	BOLT AND WASHER AY	4		-			100
170	106-15001-23	GASKET (CYLINDER)	1		-			100
180	017-00700-20	NUT	4		-			100
190	020-30700-10	SPRING WASHER	4		-			100
210	106-11601-11	CRANKCASE COVER CP	1		-			100
220	044-02000-30	OIL SEAL	1		-			100
270	106-63606-01	OIL GAUGE CP	1		-	106-63607-01		100
280	021-01600-10	GASKET	1		-			100
290	106-15002-03	GASKET (CASE COVER)	1		-			100
300	013-00601-30	BOLT AND WASHER AY	4		-			100
310	040-10800-10	PLUG	1		-			100
320	021-00800-10	GASKET	1		-			100
330	064-30001-01	DRAIN COCK	1		-			100
340	067-00701-00	AIR BREATHER	1		-			100
350	105-65101-21	LOCK WASHER	1		-			100
360	010-30800-10	BOLT	2		-			100
370	106-35302-01	SPACER	1		-			100
410	106-12405-11	CYLINDER CP	1		-			100
610	106-13001-13	CYLINDER HEAD	1		-			100
620	106-15101-11	GASKET CP (HEAD)	1		-			100
630	013-00800-71	BOLT AND WASHER AY	2		-			100
640	003-20080-00	SPRING WASHER	2		-			100
650	003-10080-00	WASHER	2		-			100
960	106-99001-07	GASKET SET	1		-			100

Fig. 200



2 CRANKSHAFT, PISTON GROUP

REF.	PART NUMBER	PART NAME	QTY	REMARKS	CODE NO. FROM-TO	INTERCHANGEABLE PART NUMBER	UNIT PRICE	FIG.
10	106-20502-00	CRANKSHAFT AY	1		-			200
30	032-30400-10	WOODRUFF KEY	1		-			200
70	005-32042-01	WOODRUFF KEY	1		-			200
75	005-32042-01	WOODRUFF KEY	1		-			200
110	017-01000-10	NUT	1		-			200
120	003-20100-00	SPRING WASHER	1		-			200
130	106-41702-01	GOVERNOR PLATE CP	1		-			200
140	106-41903-03	GOVERNOR SLEEVE	1		-			200
150	056-52000-20	CLIP	2		-			200
160	017-31200-10	LOCK NUT	1		-			200
350	106-23301-23	PISTON PIN	1		-			200
360	106-23401-11	PISTON COMPL	1	STD	-			200
	106-23402-11	PISTON CP 0.25	## 1	0.25 OVERSIZE	-			200
	106-23403-11	PISTON CP 0.5	## 1	0.50 OVERSIZE	-			200
370	106-23501-07	RING SET STD	1	STD	-			200
	106-23502-07	RING SET 0.25	1	0.25 OVERSIZE	-			200
	106-23503-07	RING SET 0.50	1	0.50 OVERSIZE	-			200
380	056-51200-10	CLIP	2		-			200
390	061-01200-10	NEEDLE BEARING	1		-			200
					-			200

Fig. 300

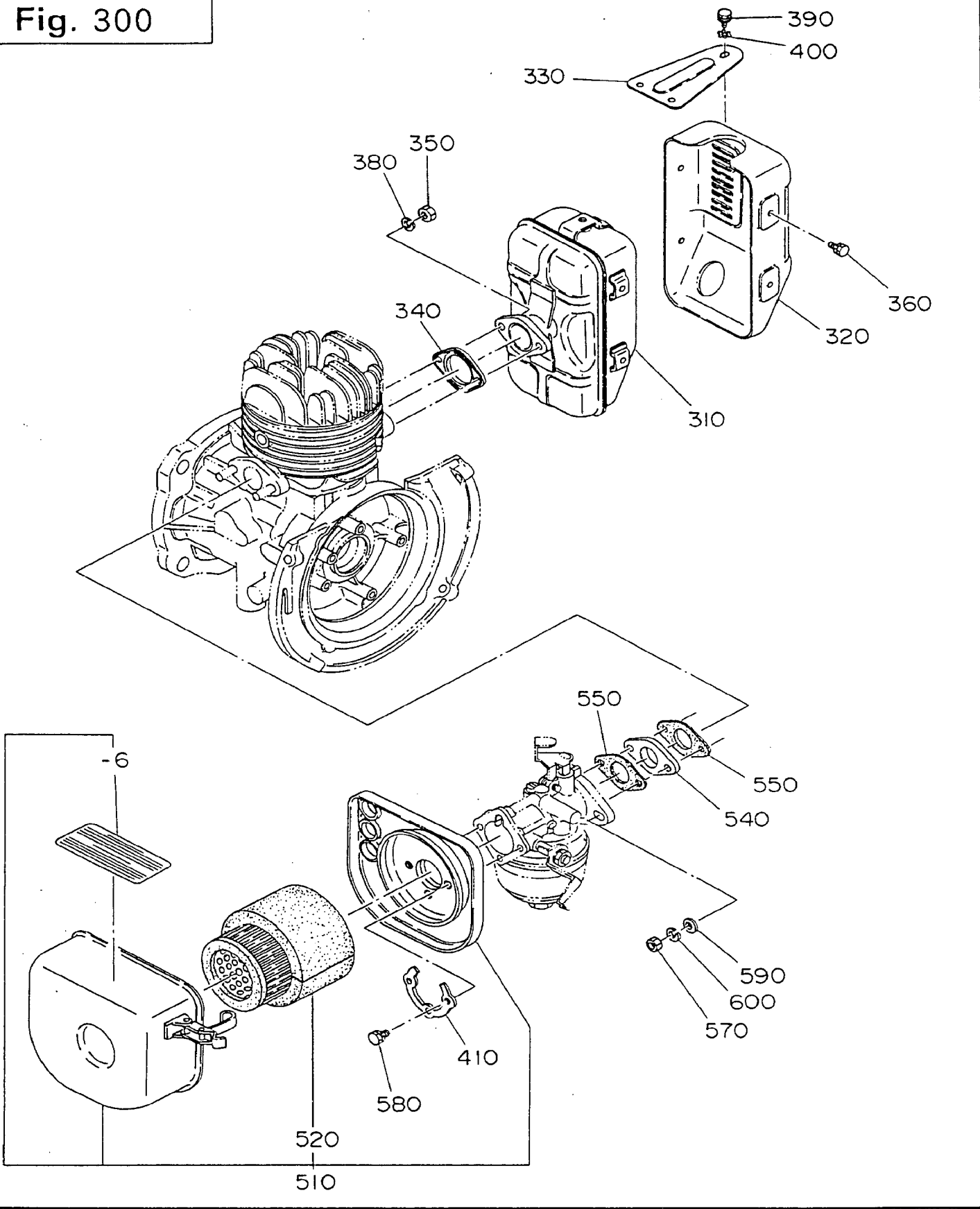






Fig. 400

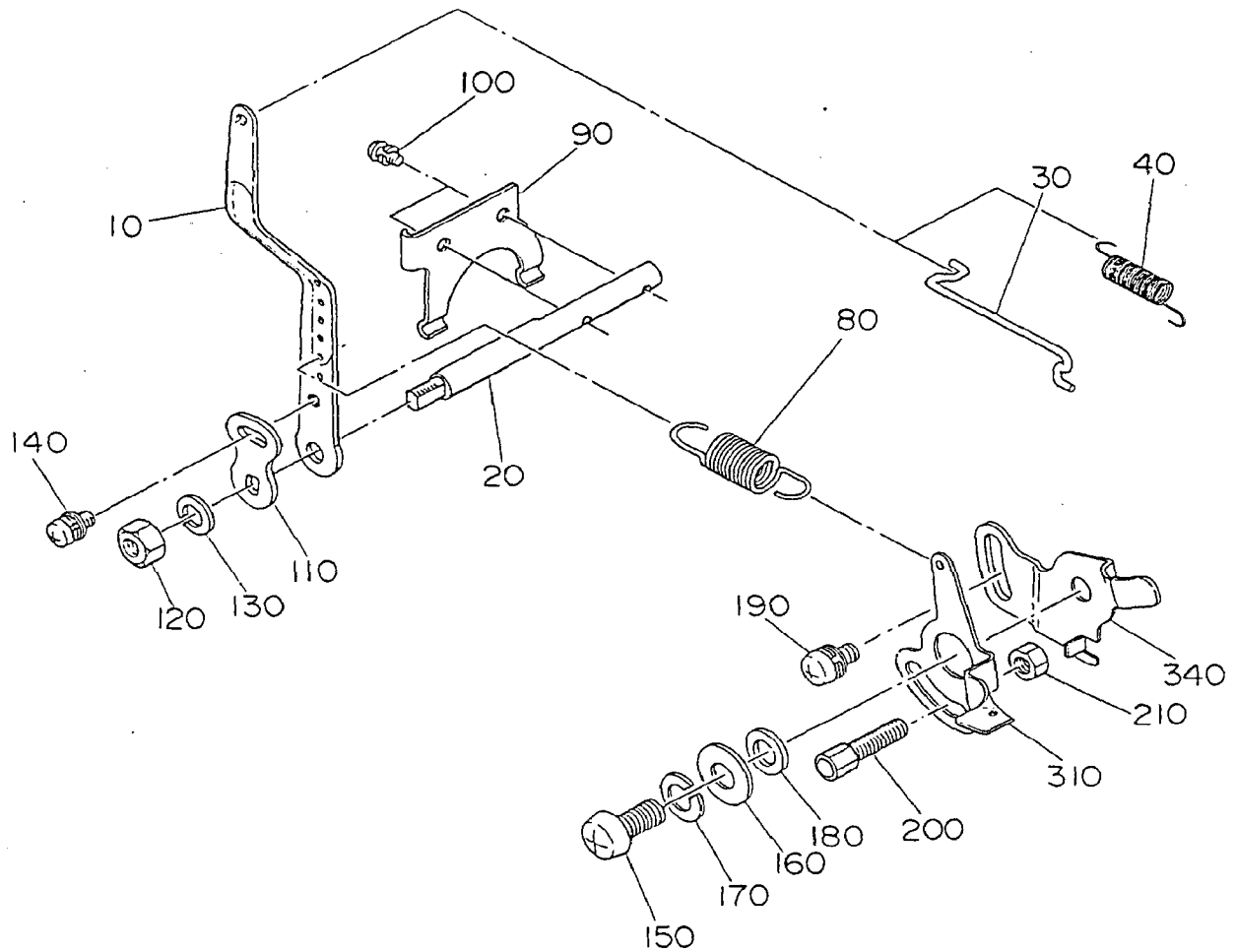




Fig. 500

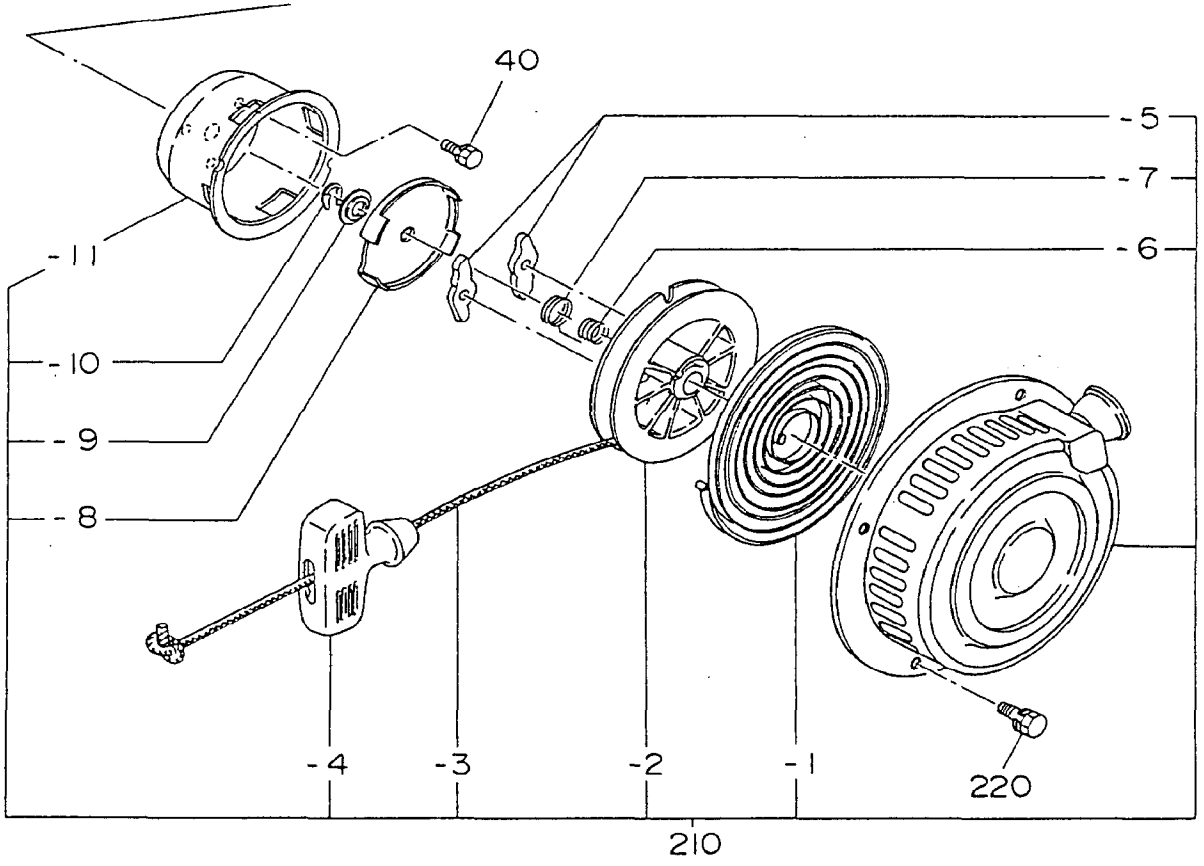
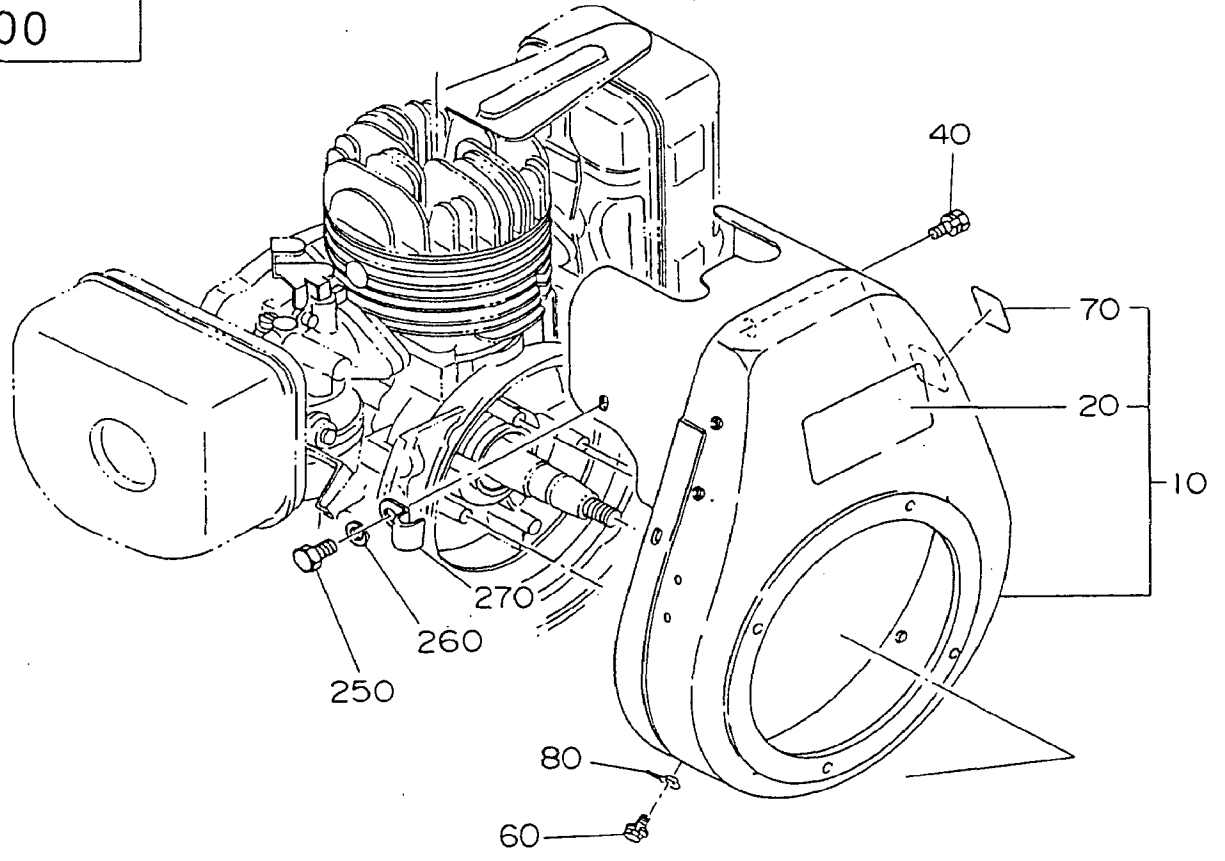
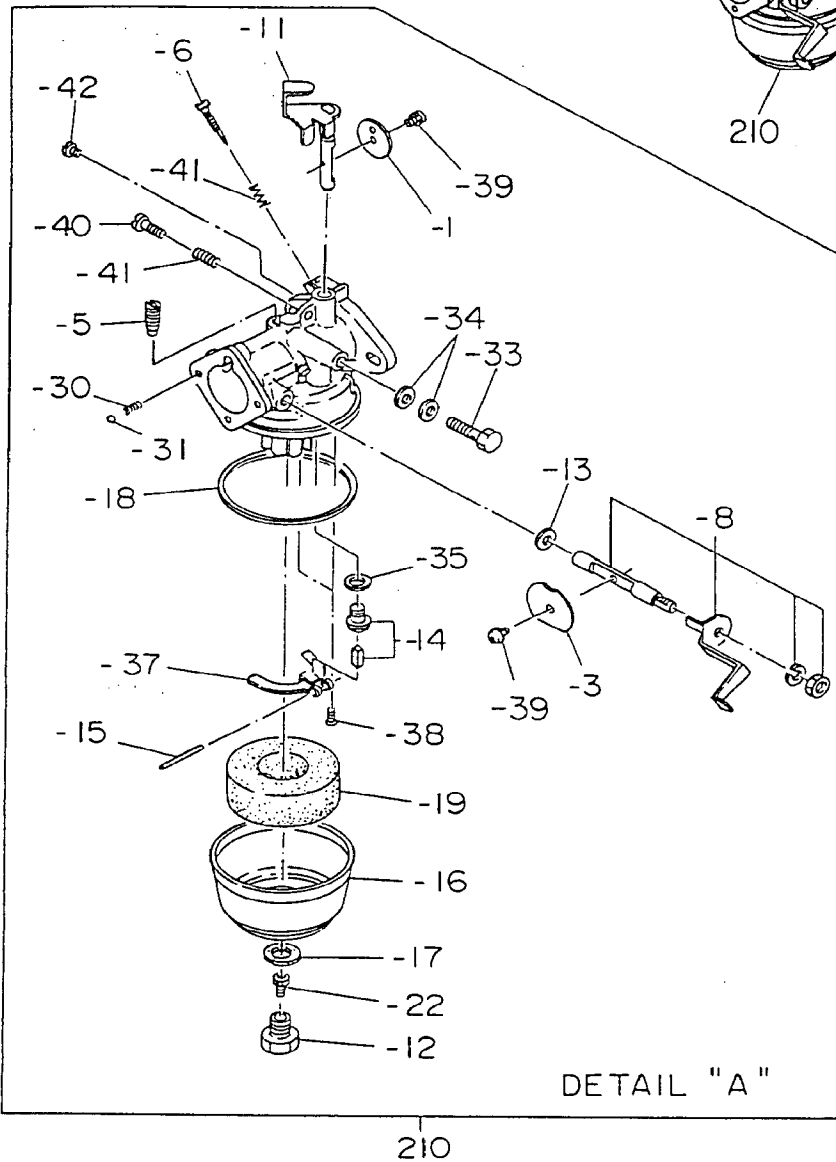
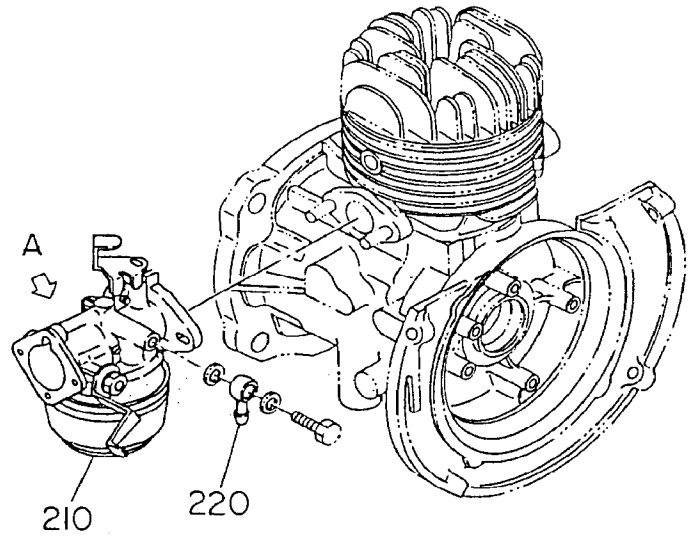
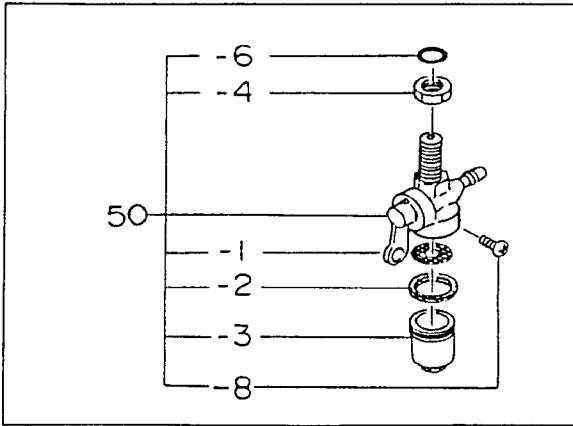




Fig. 600



DETAIL "A"

6 FUEL, LUBRICANT GROUP

REF.	PART NUMBER	PART NAME	QTY	REMARKS	CODE NO. FROM-TO	INTERCHANGEABLE PART NUMBER	UNIT PRICE	FIG.
50	064-20014-01	FUEL STRAINER	1		-	064-20080-00		600
- 1	064-20014-20	SCREEN	1		-			600
- 2	064-20014-30	RUBBER PACKING	1		-			600
- 3	064-20014-10	CUP	1		-			600
- 4	064-20029-20	LOCK NUT	1		-			600
- 6	064-20003-30	O-RING	1		-			600
- 8	064-20027-90	LOCK BOLT	1		-			600
210	106-62516-00	CARBURETOR AY	1		-			600
- 1	106-62538-08	THROTTLE VALVE	1		-			600
- 3	106-62527-08	CHOKE VALVE	1		-			600
- 5	207-62420-08	PILOT JET	1		-			600
- 6	106-62436-08	PILOT SCREW	1		-			600
- 8	106-62553-08	SHAFT AY(CHOKE)	1		-			600
- 11	106-62534-08	SHAFT AY(THROTTLE)	1		-			600
- 12	206-62350-08	BOLT	1		-			600
- 13	106-62392-18	SEAL	1		-			600
- 14	128-62500-08	NEEDLE VALVE	1		-			600
- 15	106-62516-08	FLOAT PIN	1		-			600
- 16	106-62389-08	FLOAT CHAMBER	1		-			600
- 17	206-62431-08	PACKING	1		-			600
- 18	106-62547-08	PACKING	1		-			600
- 19	106-62508-08	FLOAT	1		-			600
- 22	207-62403-08	MAIN JET	1		-			600
- 30	209-62446-08	CHOKE SPRING	1		-			600
- 31	209-62353-08	STEEL BALL	1		-			600
- 33	209-62335-08	BANJO BOLT AY	1		-			600
- 34	207-62345-08	INSERT WASHER	2		-			600
- 35	106-62381-08	WASHER	1		-			600
- 37	106-62511-08	FLOAT ARM	1		-			600
- 38	130-62358-08	SCREW	2		-			600
- 39	209-62351-08	SCREW	2		-			600
- 40	106-62358-08	SCREW	1		-			600
- 41	206-62446-08	SPRING	2		-			600
- 42	106-62357-08	GUIDE SCREW	1		-			600
220	052-10601-00	BANJO	1		-			600







Fig. 900

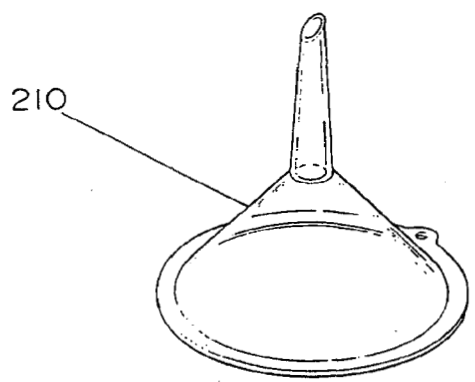
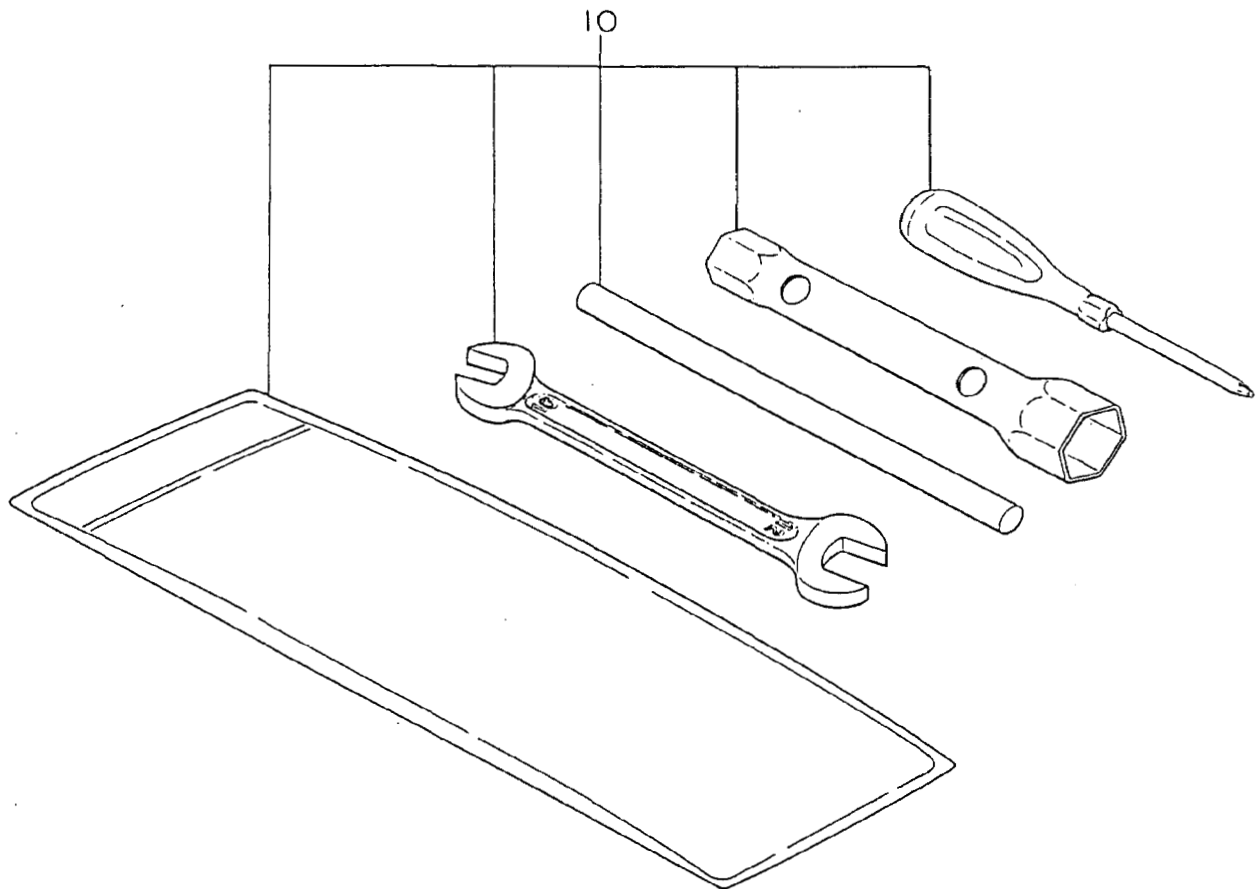




Fig. 1000

