



**Robin Engines**

---

**Model EC12**  
**for DYNAPAC**  
**PARTS CATALOG**

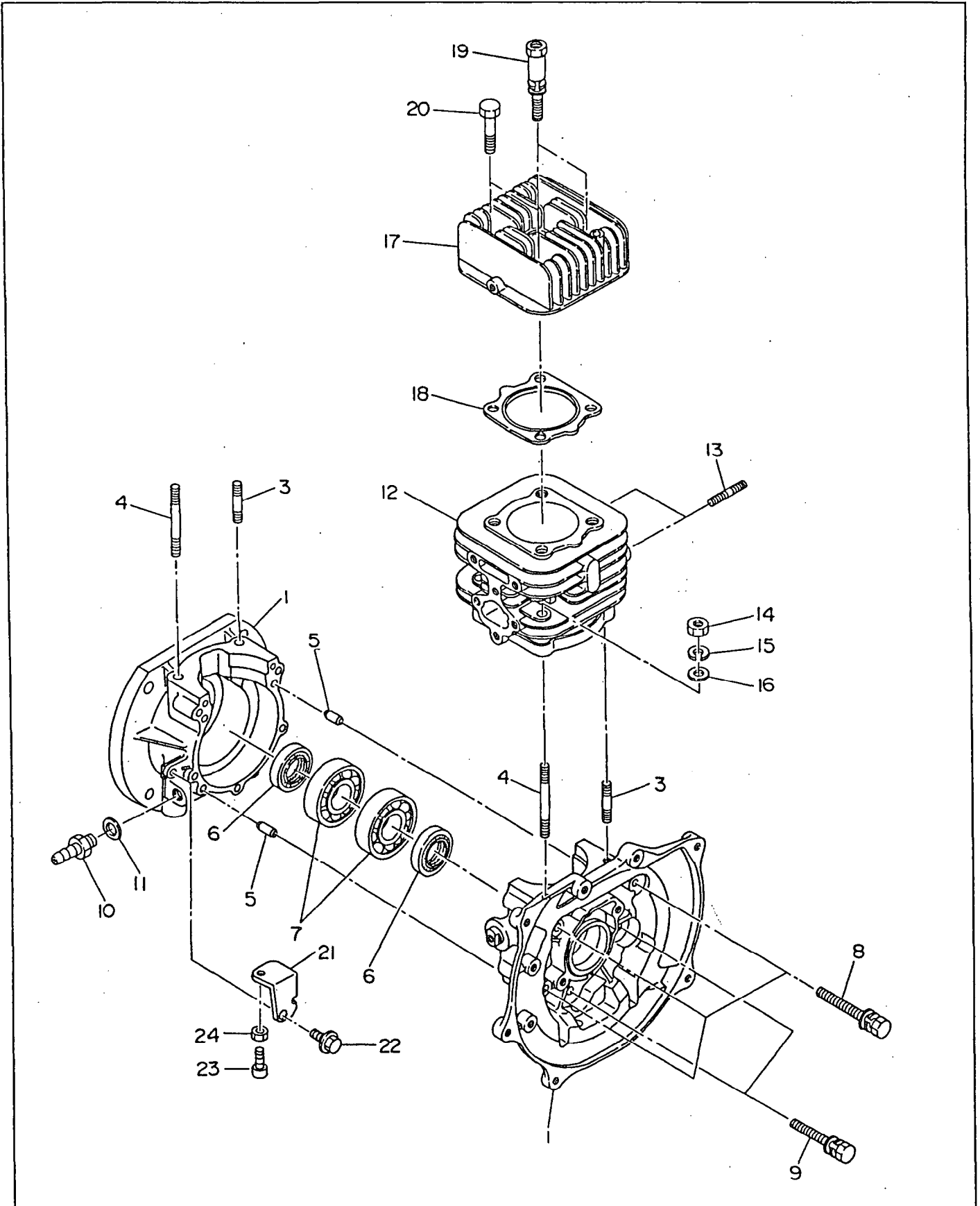
Spec.No.EC120D47150

*EP 5528A*  
**【Revised】**

 **FUJI HEAVY INDUSTRIES LTD.**

---

FIG. 1 CRANKCASE and CYLINDER HEAD

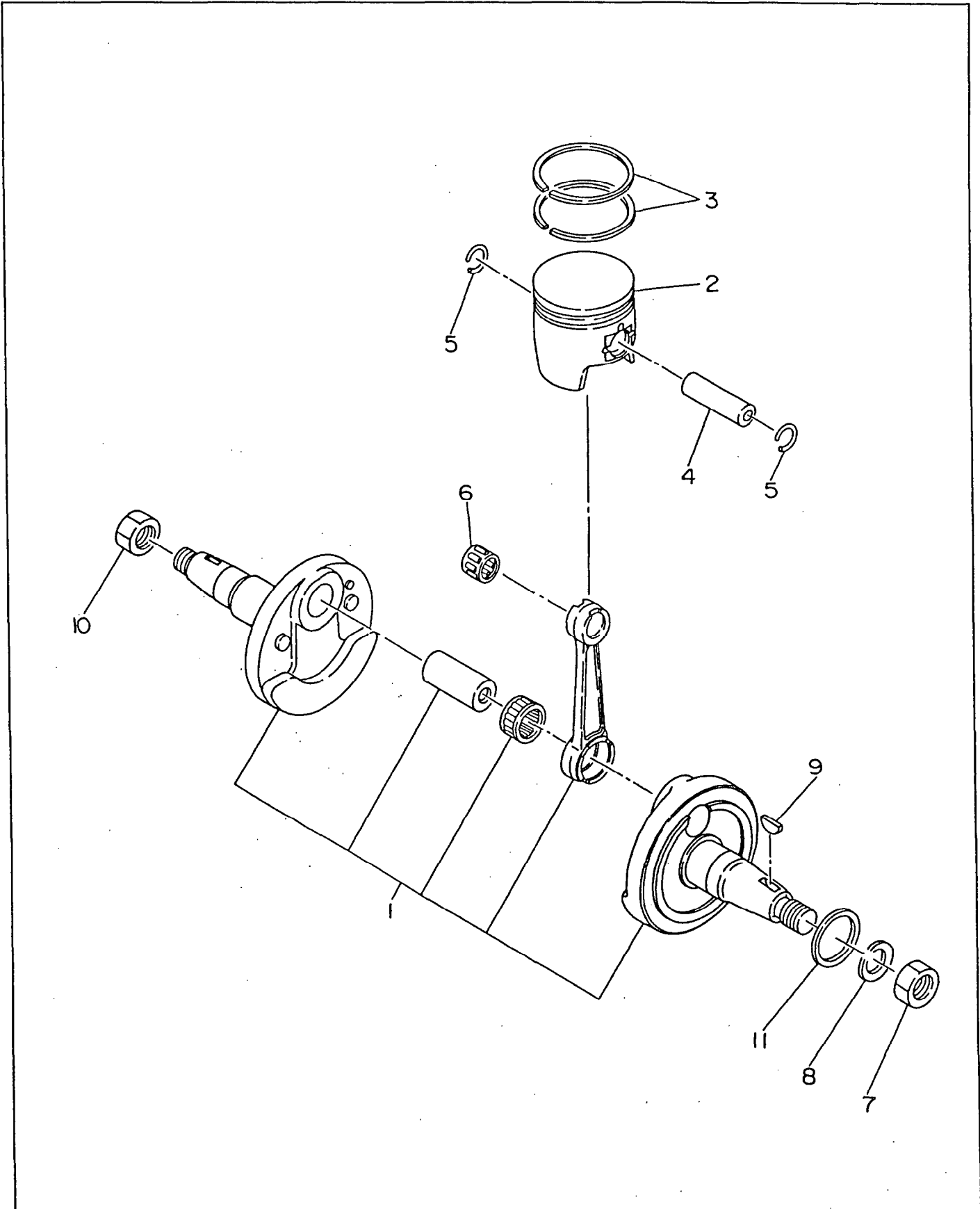


**FIG. 1 CRANKCASE and CYLINDER HEAD**

Interchangeability

Ref. No.	Parts Number	Description	Q'ty	Execution
* 1	161 - 10601 - 21	CRANKCASE COMPL Includes items 3 thru 9	1	
3	001 - 32084 - 01	STUD	2	
4	001 - 32086 - 51	STUD	2	
5	031 - 00600 - 10	DOWEL PIN	2	
6	044 - 02501 - 80	OIL SEAL	2	
7	060 - 02500 - 10	BALL BEARING	2	
8	001 - 14065 - 50	BOLT AND WASHER ASS'Y	3	
9	001 - 14064 - 00	BOLT AND WASHER ASS'Y	2	
10	050 - 51000 - 70	UNION	1	
11	003 - 71100 - 00	GASKET	1	
*12	161 - 12402 - 01	CYLINDER COMPL Includes items 13	1	
13	001 - 32083 - 51	STUD	2	
14	002 - 18080 - 00	NUT	4	
15	003 - 20080 - 00	SPRING WASHER	4	
16	003 - 10080 - 00	WASHER	4	
17	157 - 13101 - 13	CYLINDER HEAD	1	
18	161 - 15101 - 11	GASKET COMPL (head)	1	
19	013 - 00800 - 71	BOLT AND WASHER ASS'Y	2	
20	*001 - 14083 - 50	BOLT AND WASHER ASS'Y	2	
21	161 - 44203 - 01	WIRE BRACKET	1	
22	011 - 00600 - 20	FLANGE BOLT	1	
23	014 - 90601 - 10	ADJUSTING SCREW	1	
24	002 - 17060 - 00	NUT	1	

FIG. 2 CRANKSHAFT and PISTON



# FIG. 2 CRANKSHAFT and PISTON

Interchangeability

Ref. No.	Parts Number	Description	Q'ty	Execution
1	161 - 20601 - 10	CRANKSHAFT ASS'Y	1	
2	161 - 23401 - 01	PISTON COMPL(STD)	1	
2	161 - 23402 - 01	PISTON COMPL(over size 0.25mm)	1	
2	161 - 23403 - 01	PISTON COMPL(over size 0.50mm)	1	
3	161 - 23501 - 07	PISTON RING SET (STD)	1	
3	161 - 23502 - 07	PISTON RING SET (over size 0.25mm)	1	
3	161 - 23503 - 07	PISTON RING SET (over size 0.50mm)	1	
4	157 - 23301 - 03	PISTON PIN	1	
5	056 - 51200 - 10	CLIP	2	
6	061 - 01200 - 10	NEEDLE BEARING	1	
7	002 - 17140 - 00	NUT	1	
8	003 - 20140 - 00	SPRING WASHER	1	
9	005 - 32042 - 01	WOODRUFF KEY	1	
10	017 - 01001 - 50	NUT	1	
11	161 - 25001 - 03	SPACER t = 0.1 select use	3	
11	161 - 25002 - 03	SPACER t = 0.3 select use	1	

FIG. 3 MUFFLER and AIR CLEANER

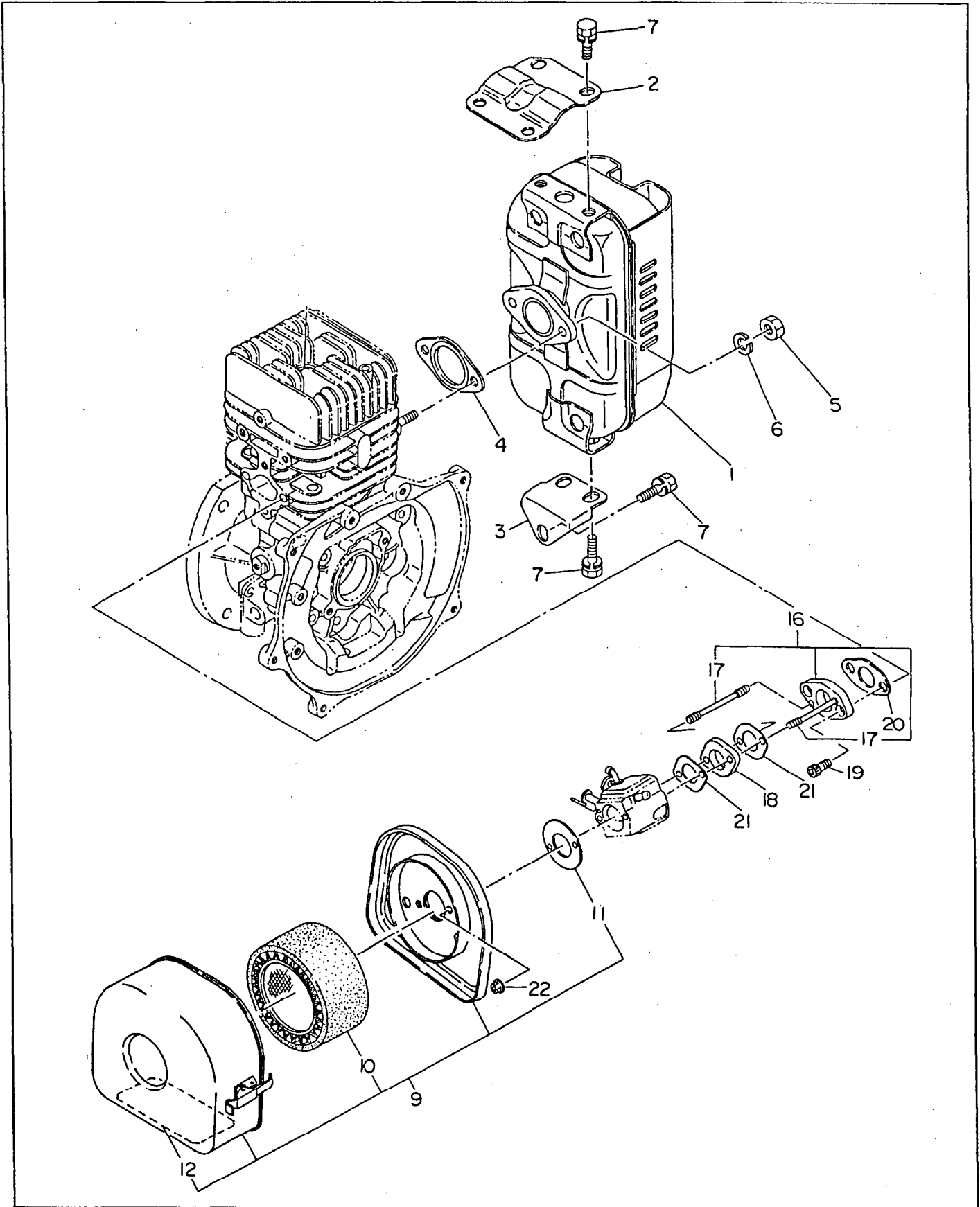




FIG. 4 BLOWER HOUSING and RECOIL STARTER

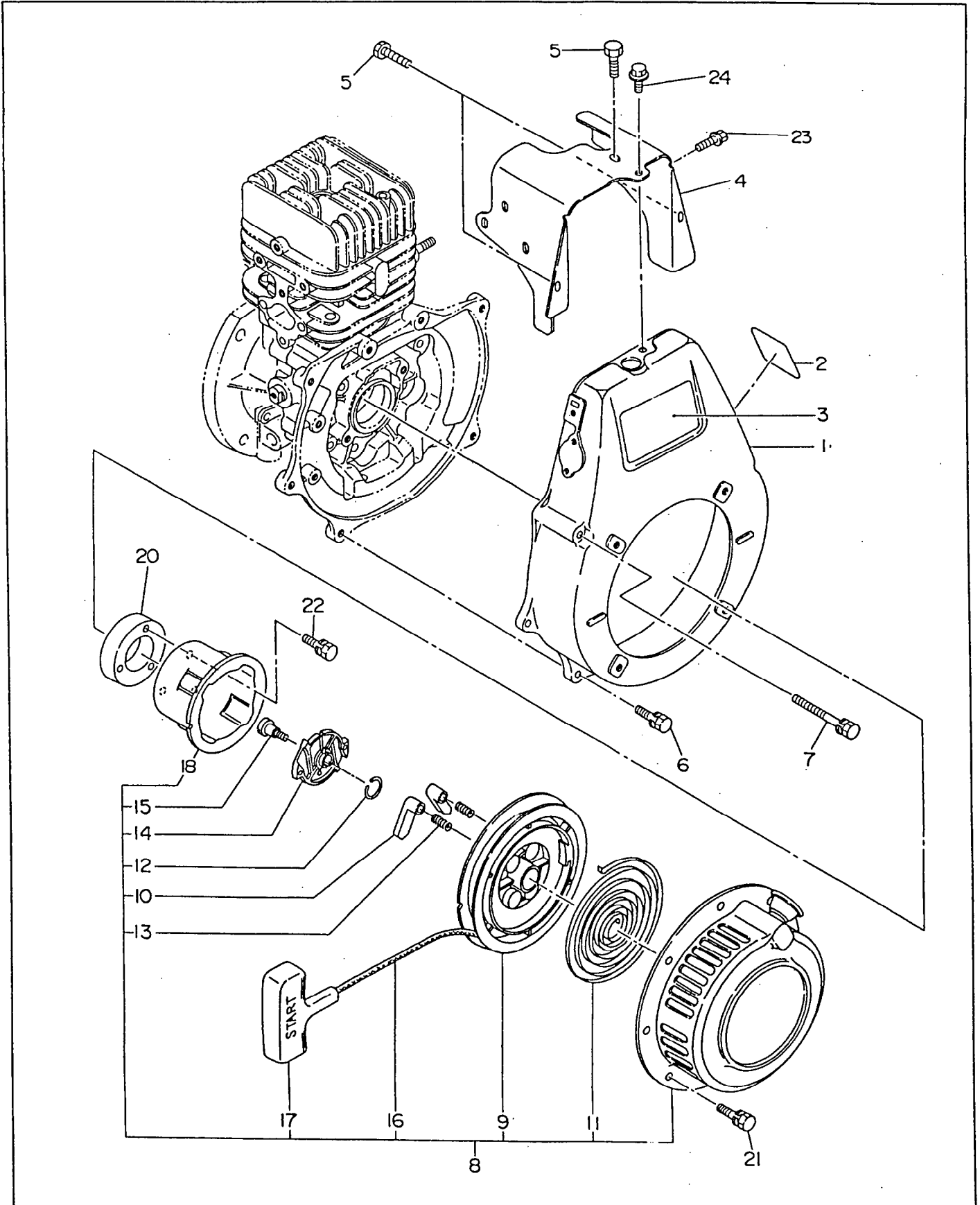
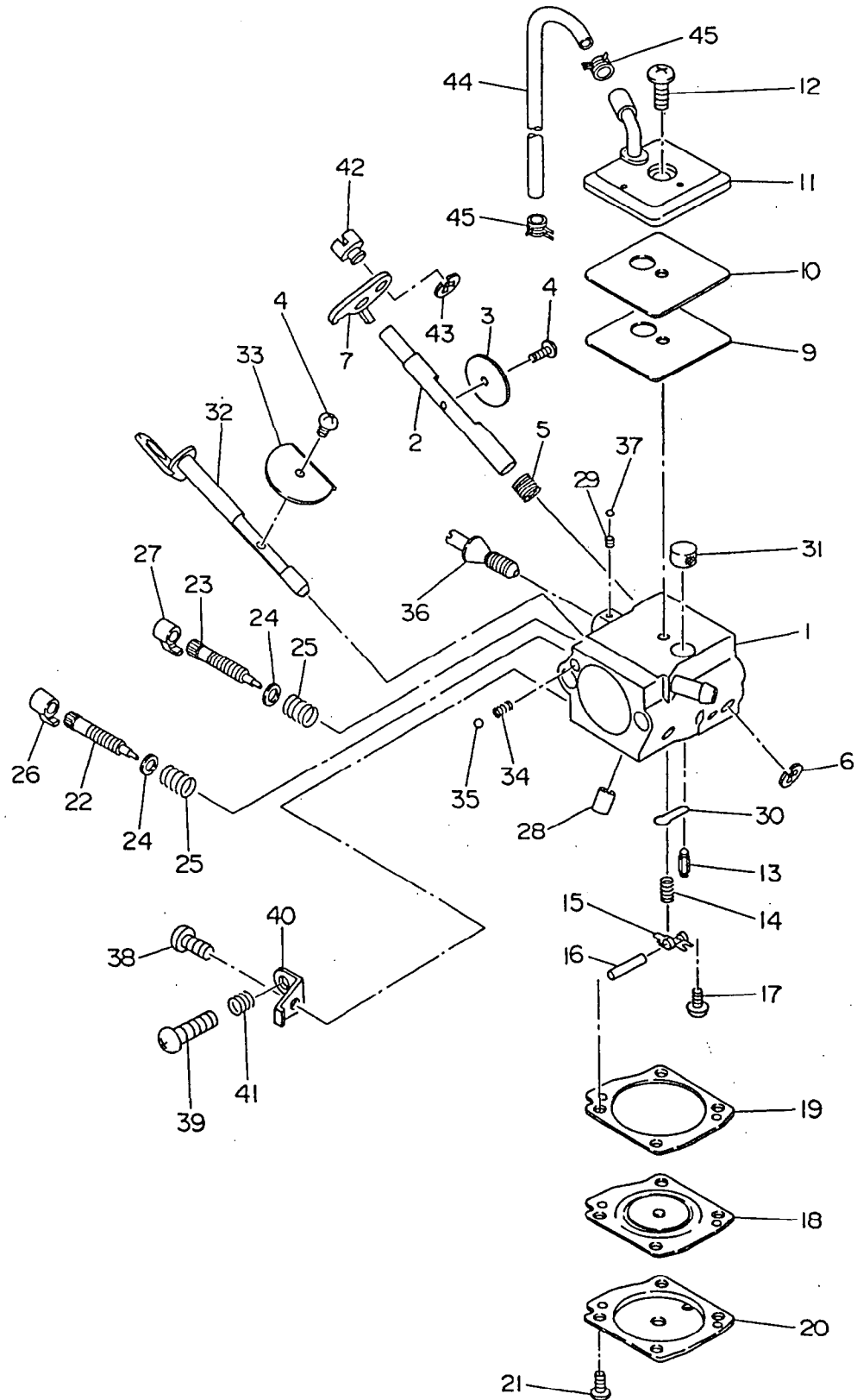






FIG. 5-1 CARBURETOR(serial No. less than #1021419)

"ZAMA" Carburetor installed on the engines with serial numbers less than # 1021419.



**FIG. 5-1 CARBURETOR(serial No. less than #1021419)**

Interchangeability

Ref. No.	Parts Number	Description	Q'ty	Execution
* 1	161 - 62402 - 10	CARBURETOR ASS'Y Includes items 2 thru 41	1	
2	161 - 62495 - 08	SHAFT ASS'Y (throttle)	1	
3	106 - 62498 - 08	VALVE (throttle)	1	
4	106 - 62497 - 08	SCREW	2	
5	161 - 62494 - 08	SPRING (throttle return)	1	
6	161 - 62493 - 08	E - RING (throttle shaft)	1	
9	106 - 62492 - 08	DIAPHRAGM (pump)	1	
10	106 - 62491 - 08	GASKET (pump)	1	
11	161 - 62498 - 08	COVER ASS'Y (pump)	1	
12	106 - 62489 - 08	SCREW	1	
13	106 - 62488 - 08	VALVE (inlet needle)	1	
14	106 - 62487 - 08	SPRING (metering lever)	1	
15	161 - 62497 - 08	LEVER (metering)	1	
16	106 - 62485 - 08	PIN	1	
17	106 - 62484 - 08	SCREW (pin)	1	
18	106 - 62483 - 08	DIAPHRAGM ASS'Y (metering)	1	
19	106 - 62482 - 08	GASKET	1	
20	106 - 62481 - 08	COVER (metering)	1	
21	106 - 62480 - 08	SCREW	4	
22	106 - 62479 - 08	SCREW (main mixture)	1	
23	106 - 62478 - 08	SCREW (idle mixture)	1	
24	106 - 62477 - 08	WASHER	2	
25	106 - 62476 - 08	SPRING (adjust screw)	2	
26	106 - 62475 - 08	LIMITER (main mixture)	1	
27	106 - 62474 - 08	LIMITER (idle mixture)	1	
28	106 - 62473 - 08	NOZZLE ASS'Y	1	
29	106 - 62472 - 08	PIECE	1	
30	106 - 62471 - 08	PLUG	1	
31	106 - 62470 - 08	STRAINER	1	
32	161 - 62496 - 08	SHAFT ASS'Y (choke)	1	
33	106 - 62468 - 08	VALVE (choke)	1	
34	106 - 62467 - 08	SPRING	1	
35	106 - 62466 - 08	BALL (steel)	1	
36	106 - 62465 - 08	SCREW (adjust)	1	
37	106 - 62464 - 08	BALL (plastic)	1	
38	161 - 62491 - 08	SCREW	1	
39	161 - 62490 - 08	SCREW (throttle adjust)	1	
40	161 - 62492 - 08	LEVER (throttle adjust)	1	
41	106 - 62476 - 08	SPRING (adjust spring)	1	
42	161 - 62489 - 08	POST	1	
43	161 - 62493 - 08	E - RING	1	
44	085 - 10400 - 00	RUBBER PIPE (4.5D x 9D x 210 l)	1	
45	056 - 10800 - 20	HOSE CLAMP	2	

## FIG. 5-2 CARBURETOR(serial No. 1021420 and after)

P/No. 161 - 62500 - 00

(BING P/No. 49B104)

Component parts for "BING" carburetor are not available from FHI.

Please inquire of BING dealers.

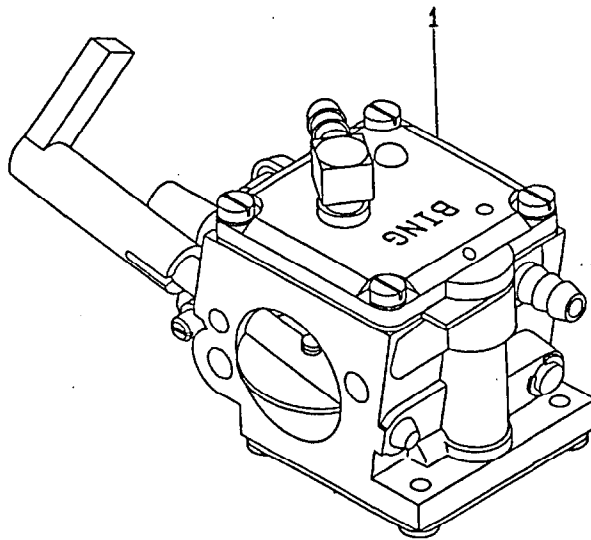
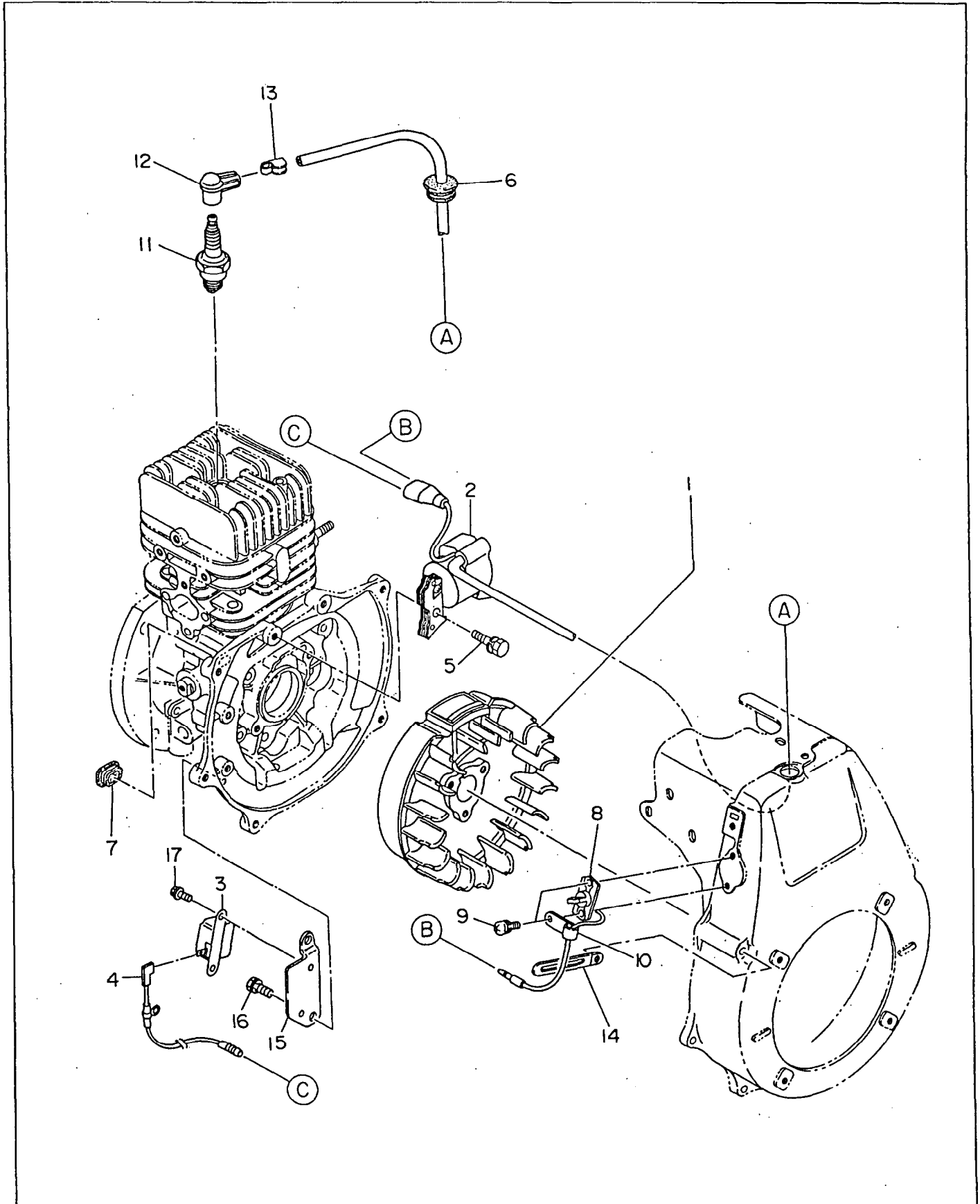


FIG. 5-2 CARBURETOR(serial No. 1021420 and after)

Ref. No.	Parts Number	Description	Q'ty	Interchangeability	Execution
1	161 - 62500 - 00	CARBURETOR ASS'Y	1		
	(Note)				
		(BING P/No. 49B104)			
		Component parts for "BING" carburetor are not available from FHI. Please inquire of BING dealers.			

FIG. 6 ELECTRIC DEVICE



**FIG. 6 ELECTRIC DEVICE**

Interchangeability

Ref. No.	Parts Number	Description	Q'ty	Execution
1	161 - 75001 - 01	FLYWHEEL COMPL	1	
2	161 - 71202 - 01	IGNITION COIL COMPL	1	
3	161 - 71500 - 01	SPEED LIMITER COMPL	1	
4	161 - 71501 - 01	LEAD WIRE COMPL	1	
5	001 - 10062 - 00	BOLT AND WASHER ASS'Y	2	
6	161 - 75001 - 03	GROMMET (high)	1	
7	157 - 75002 - 03	GROMMET	1	
8	066 - 00003 - 70	SWITCH ASS'Y	1	
9	004 - 35041 - 20	SCREW AND WASHER ASS'Y	2	
10	056 - 60300 - 10	CLAMP	1	
11	065 - 01404 - 60	SPARK PLUG (BM6A)	1	
12	230 - 75101 - 13	SPARK PLUG CAP	1	
13	065 - 50001 - 00	SPARK PLUG CAP	1	
14	150 - 75201 - 03	CLAMP	1	
15	161 - 75002 - 01	BRACKET (speed limiter)	1	
16	011 - 00600 - 20	FLANGE BOLT	2	
17	001 - 16051 - 00	BOLT AND WASHER ASS'Y	2	

FIG. 7 PARTS TO BE SHIPPED LOOSE

