



Robin Engines

Model EC12

for DELMAG

PARTS CATALOG

Spec.No.EC120D47161

RAMMER

 **FUJI HEAVY INDUSTRIES LTD.**

ISSUE EMD-EP555

TABLE OF CONTENTS

- FIG. 1. CRANKCASE and CYLINDER HEAD**
- FIG. 2. CRANKSHAFT and PISTON**
- FIG. 3. INTAKE and EXHAUST**
- FIG. 4. BLOWER HOUSING and RECOIL STARTER**
- FIG. 5. CARBURETOR**
- FIG. 6. ELECTRIC DEVICE**
- FIG. 7. ACCESSORIES**
- FIG. 8. PARTS TO BE SHIPPED LOOSE**

EC12 DELMAG

FIG. 1 CRANKCASE and CYLINDER HEAD

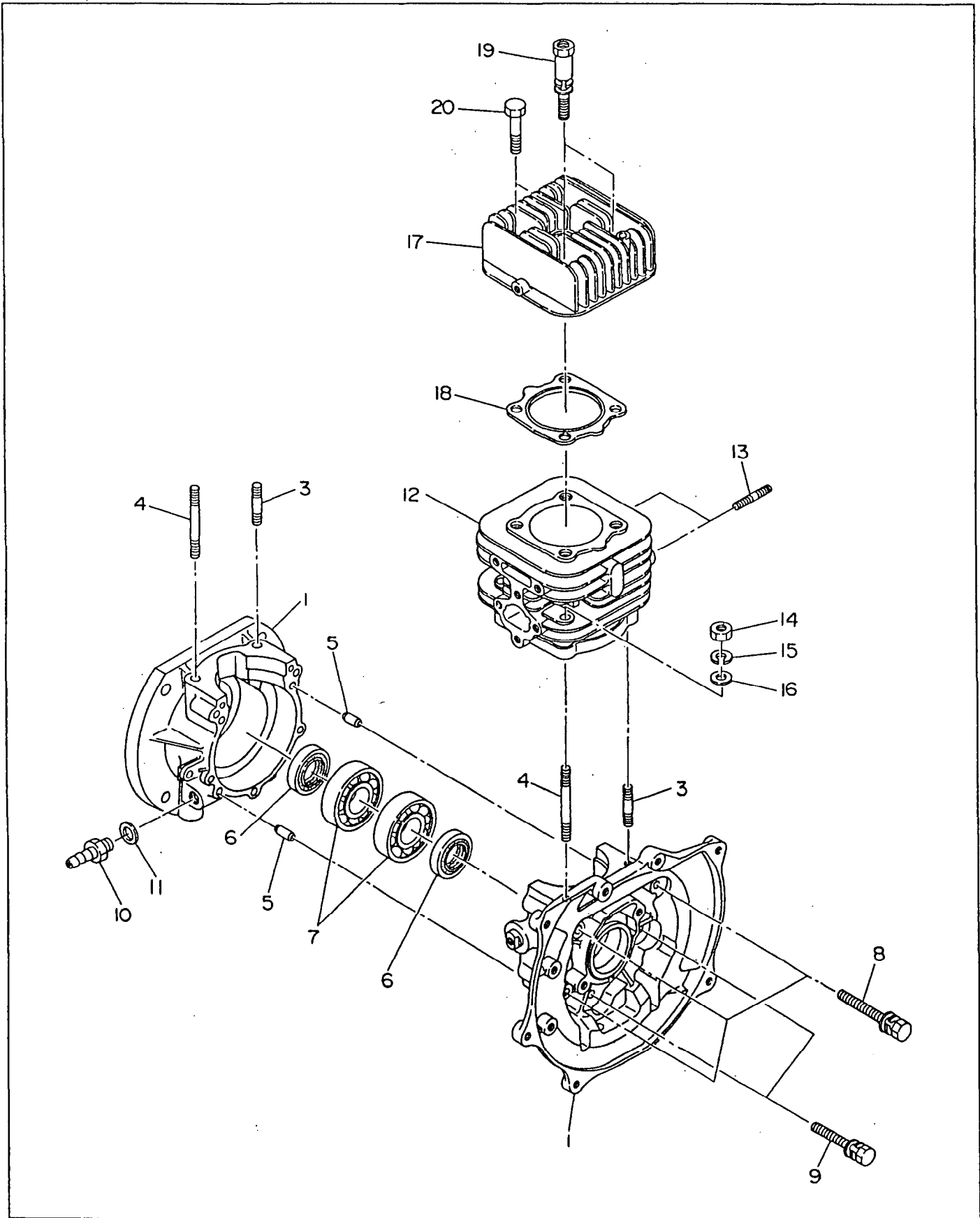


FIG. 2 CRANKSHAFT and PISTON

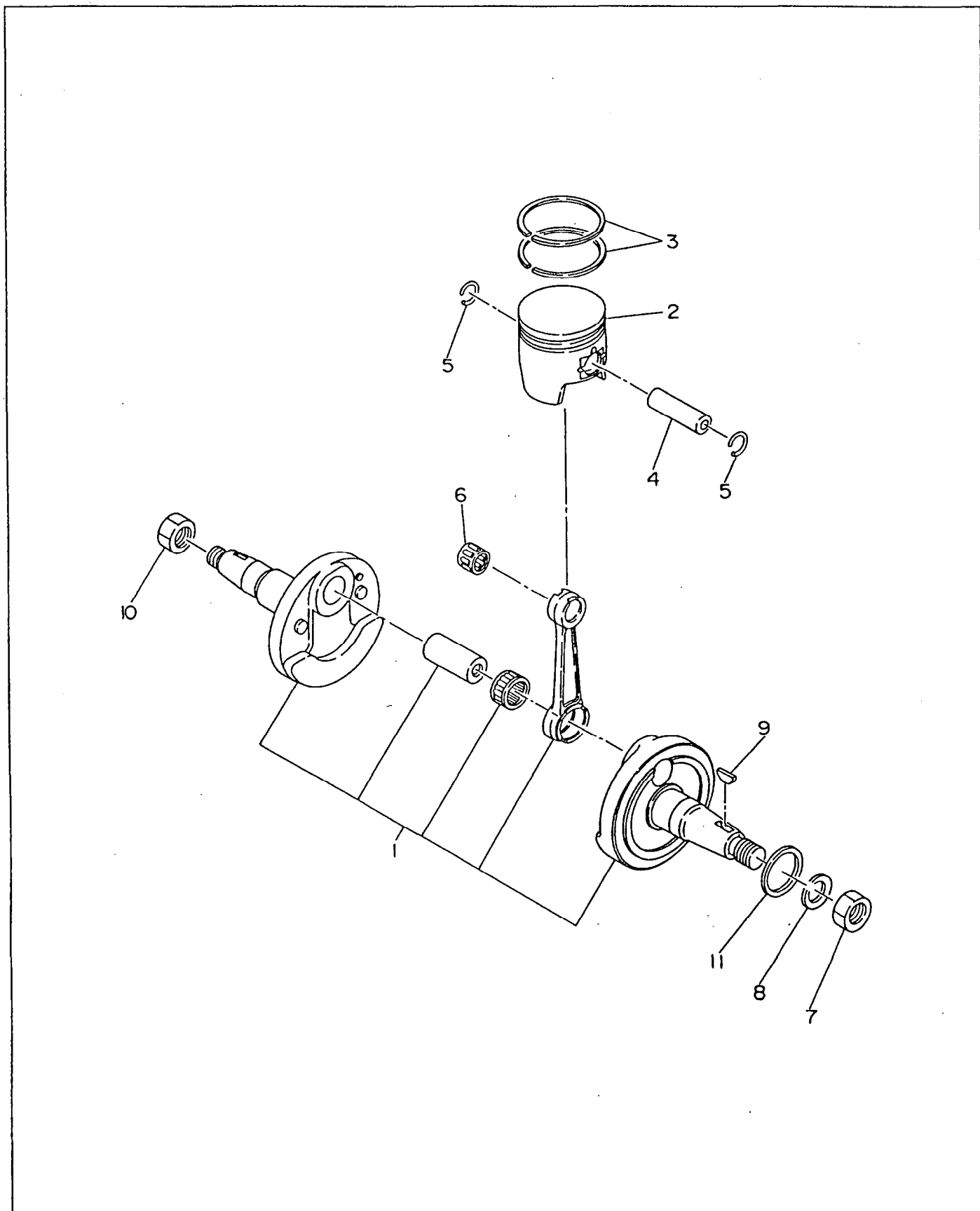


FIG. 3 INTAKE and EXHAUST

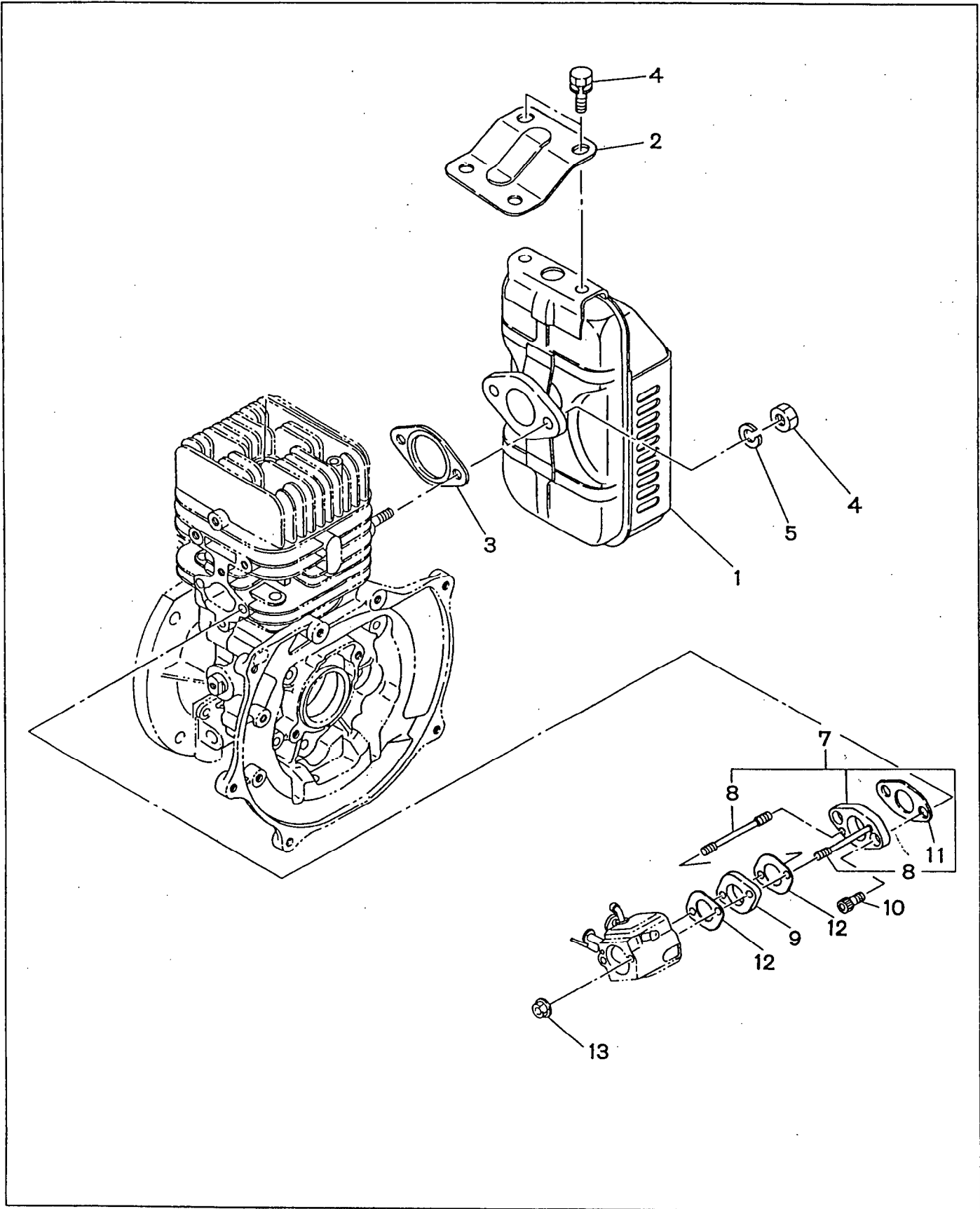


FIG. 4 BLOWER HOUSING and RECOIL STARTER

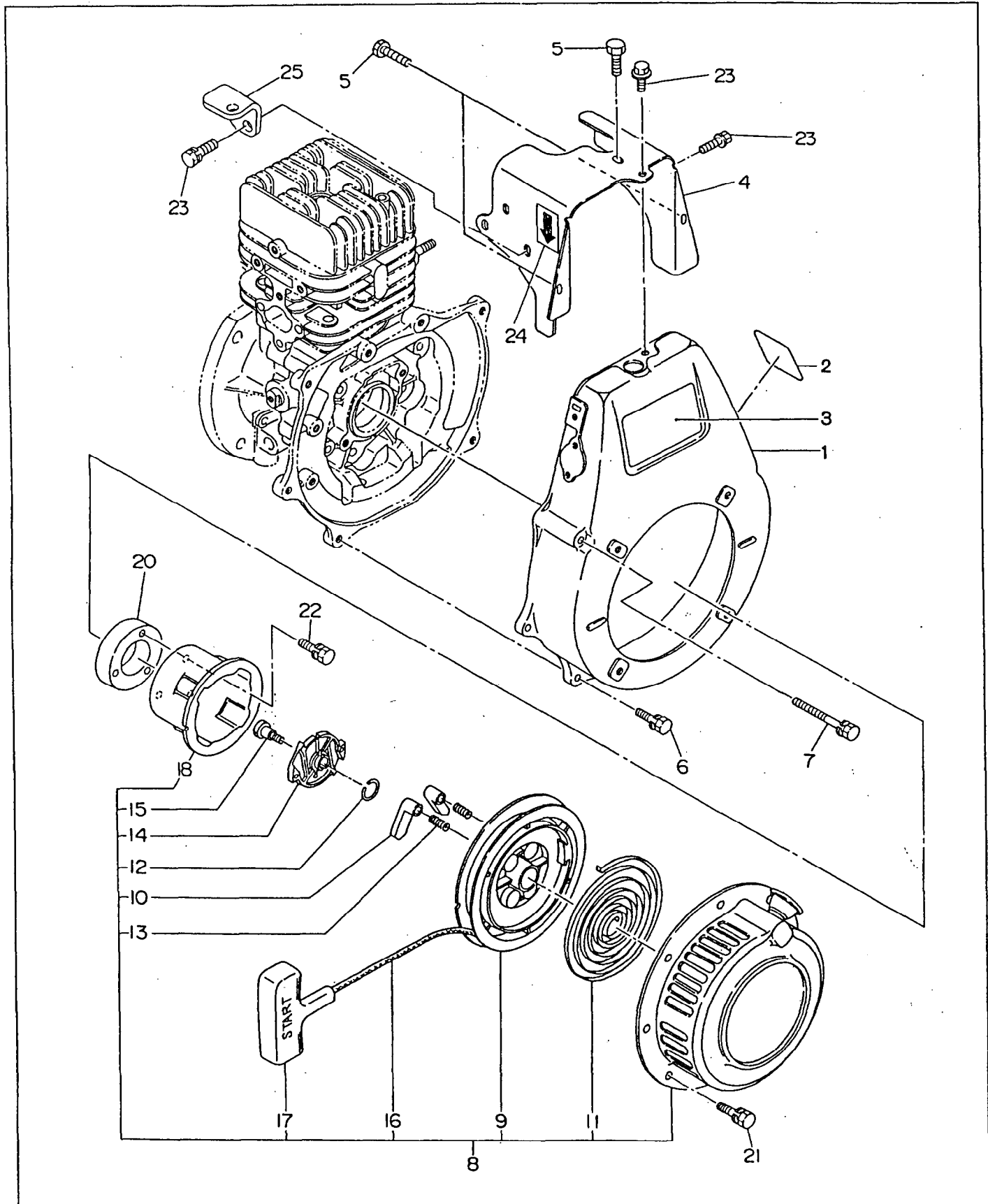


FIG. 4 BLOWER HOUSING and RECOIL STARTER

⌊ Interchangeability

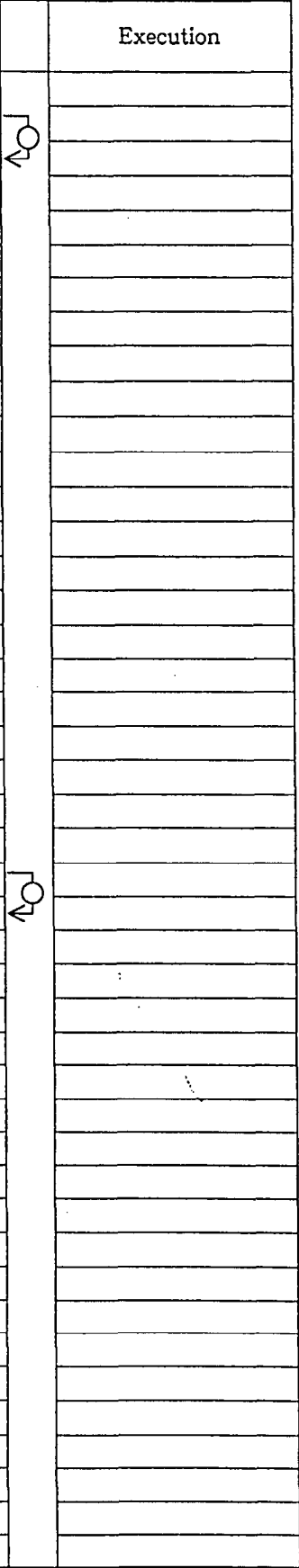
Ref. No.	Parts Number	Description	Q'ty	Execution
1	161 - 51108 - 06	BLOWER HOUSING, compl.	1	
2	161 - 91860 - 03	LABEL, engine name	1	
2	161 - 91802 - 03	LABEL, engine name	1	
3	161 - 91701 - 03	LABEL, trade mark	1	
4	161 - 52601 - 23	CYLINDER BAFFLE	1	
5	015 - 20600 - 70	TAPPING BOLT	3	
6	001 - 14062 - 00	BOLT and WASHER ASS'Y	3	
7	001 - 14065 - 50	BOLT and WASHER ASS'Y	2	
*8	161 - 50104 - 00	RECOIL STARTER ASS'Y Includes items 9 thru 18	1	
9	161 - 50120 - 08	REEL	1	
10	161 - 50125 - 08	RATCHET	2	
11	215 - 50515 - 08	SPIRAL SPRING	1	
12	227 - 50131 - 08	FRICTION SPRING	1	
13	227 - 50135 - 08	RETURN SPRING	2	
14	161 - 50150 - 08	RATCHET GUIDE	1	
15	227 - 50152 - 08	SET SCREW (M6)	1	
16	161 - 50110 - 08	STARTER ROPE	1	
17	236 - 50101 - 08	STARTER KNOB	1	
18	161 - 50145 - 18	STARTER PULLEY	1	
20	161 - 55001 - 13	PULLEY SPACER	1	
21	001 - 10061 - 20	BOLT and WASHER ASS'Y	4	
22	001 - 13062 - 50	BOLT and WASHER ASS'Y	3	
23	011 - 00600 - 20	FLANGE BOLT	3	
24	073 - 20044 - 30	LABEL, choke	1	
24	073 - 20042 - 80	LABEL, choke	1	
25	161 - 44203 - 01	WIRE BRACKET	1	

FIG. 5 CARBURETOR

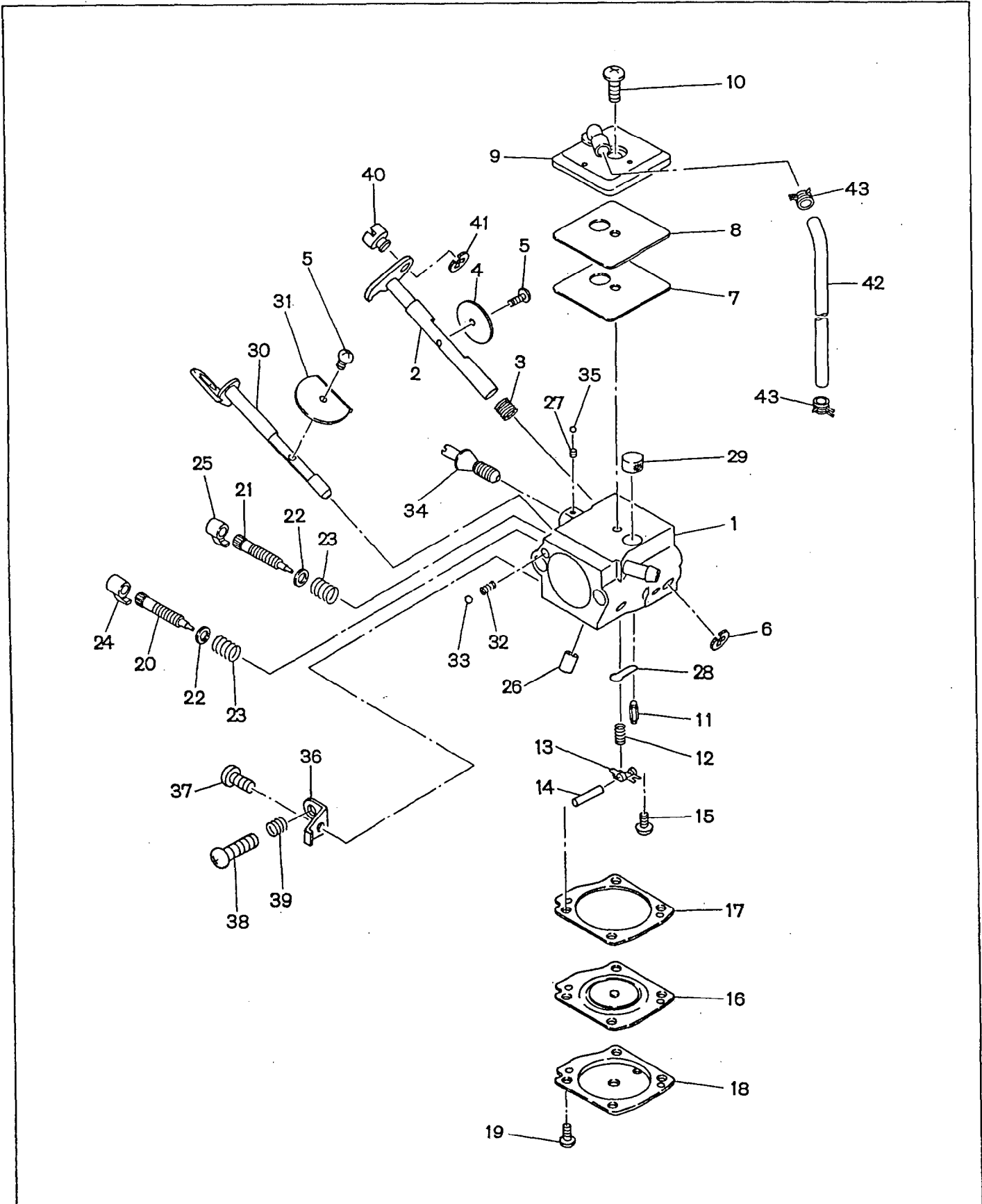


FIG. 5 CARBURETOR

Interchangeability

Ref. No.	Parts Number	Description	Q'ty	Execution
* 1	161 - 62404 - 00	CARBURETOR ASS'Y Includes items 2 thru 41	1	
2	161 - 62486 - 08	SHAFT ASS'Y, throttle	1	
3	161 - 62494 - 08	SPRING, throttle return	1	
4	106 - 62498 - 08	VALVE, throttle	1	
5	106 - 62497 - 08	SCREW	2	
6	161 - 62493 - 08	E - RING, throttle shaft	1	
7	106 - 62680 - 08	DIAPHRAGM, pump	1	
8	106 - 62491 - 08	GASKET, pump	1	
9	161 - 62485 - 08	COVER ASS'Y, pump	1	
10	106 - 62489 - 08	SCREW	1	
11	106 - 62488 - 08	VALVE, inlet needle	1	
12	106 - 62487 - 08	SPRING, metering lever	1	
13	161 - 62497 - 08	LEVER, metering	1	
14	106 - 62485 - 08	PIN	1	
15	106 - 62484 - 08	SCREW, pin	1	
16	106 - 62483 - 08	DIAPHRAGM ASS'Y, metering	1	
17	106 - 62482 - 08	GASKET	1	
18	106 - 62481 - 08	COVER, metering	1	
19	106 - 62480 - 08	SCREW	4	
20	106 - 62479 - 08	SCREW, main mixture	1	
21	106 - 62478 - 08	SCREW, idle mixture	1	
22	106 - 62477 - 08	WASHER	2	
23	106 - 62476 - 08	SPRING, adjust screw	2	
24	106 - 62475 - 08	LIMITER, main mixture	1	
25	106 - 62474 - 08	LIMITER, idle mixture	1	
26	106 - 62473 - 08	NOZZLE ASS'Y	1	
27	106 - 62472 - 08	PIECE	1	
28	106 - 62471 - 08	PLUG	1	
29	106 - 62470 - 08	STRAINER	1	
30	161 - 62496 - 08	SHAFT ASS'Y, choke	1	
31	106 - 62468 - 08	VALVE, choke	1	
32	106 - 62467 - 08	SPRING	1	
33	106 - 62466 - 08	BALL, steel	1	
34	106 - 62465 - 08	SCREW, adjust	1	
35	106 - 62681 - 08	BALL	1	
36	161 - 62484 - 08	LEVER, throttle adjust	1	
37	161 - 62491 - 08	SCREW	1	
38	161 - 62483 - 08	SCREW, throttle adjust	1	
39	106 - 62476 - 08	SPRING, adjust spring	1	
40	161 - 62482 - 08	POST	1	
41	161 - 62493 - 08	E - RING	1	
42	085 - 10400 - 00	RUBBER PIPE (4.5D x 9D x 150 l)	1	
43	056 - 10800 - 20	HOSE CLAMP	2	
		(NOTE)		

FIG. 5 CARBURETOR

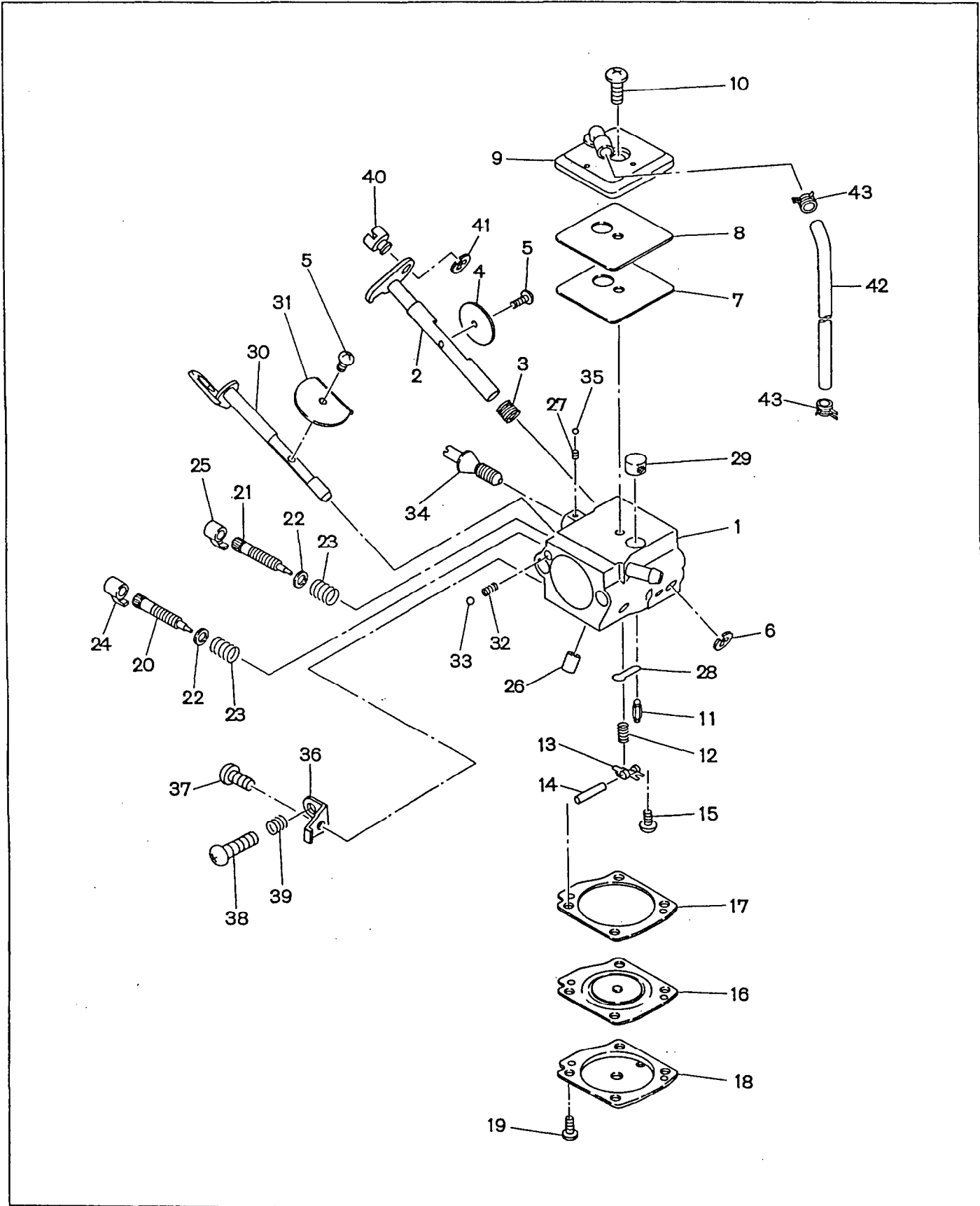


FIG. 6 ELECTRIC DEVICE

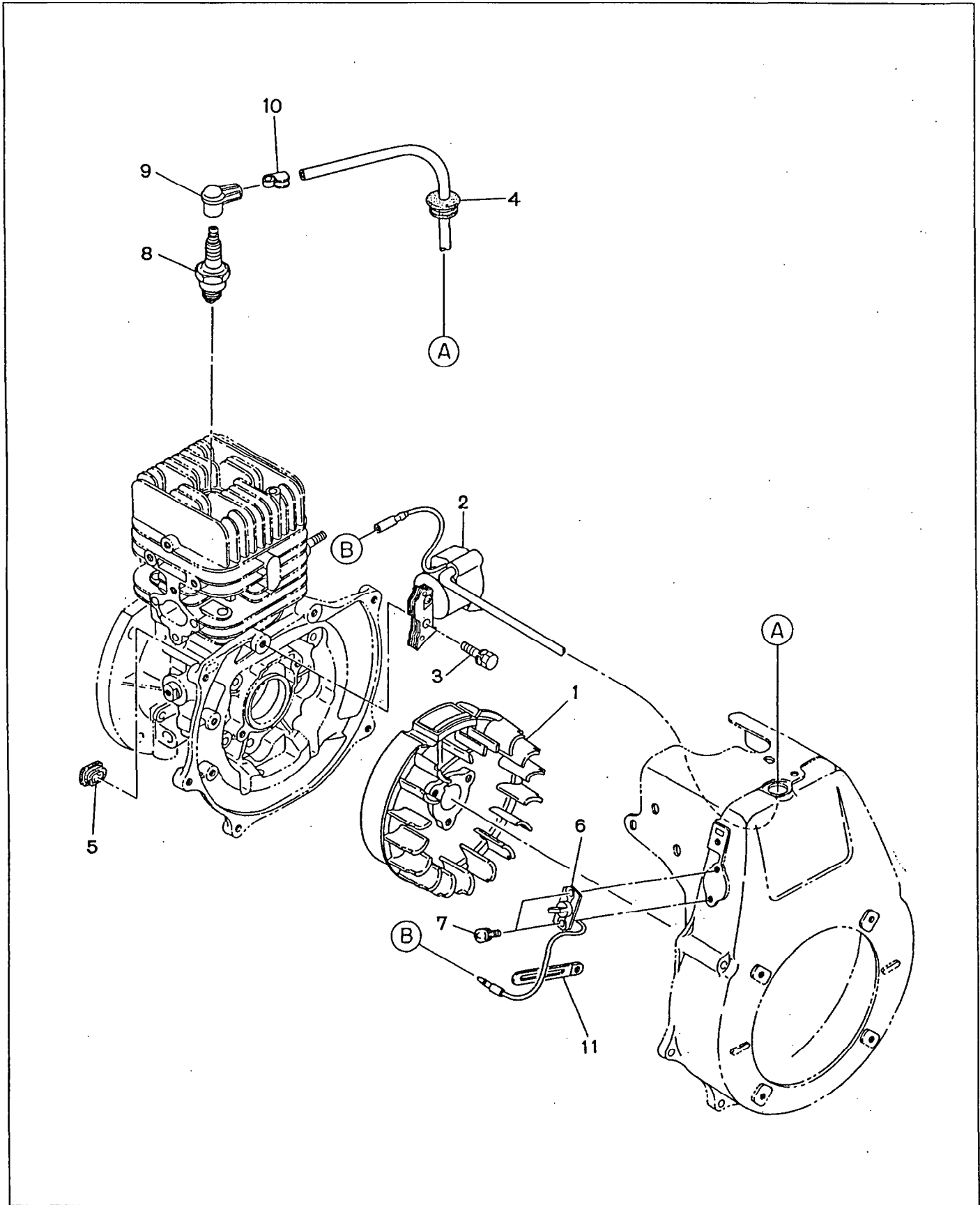


FIG. 7 ACCESSORIES

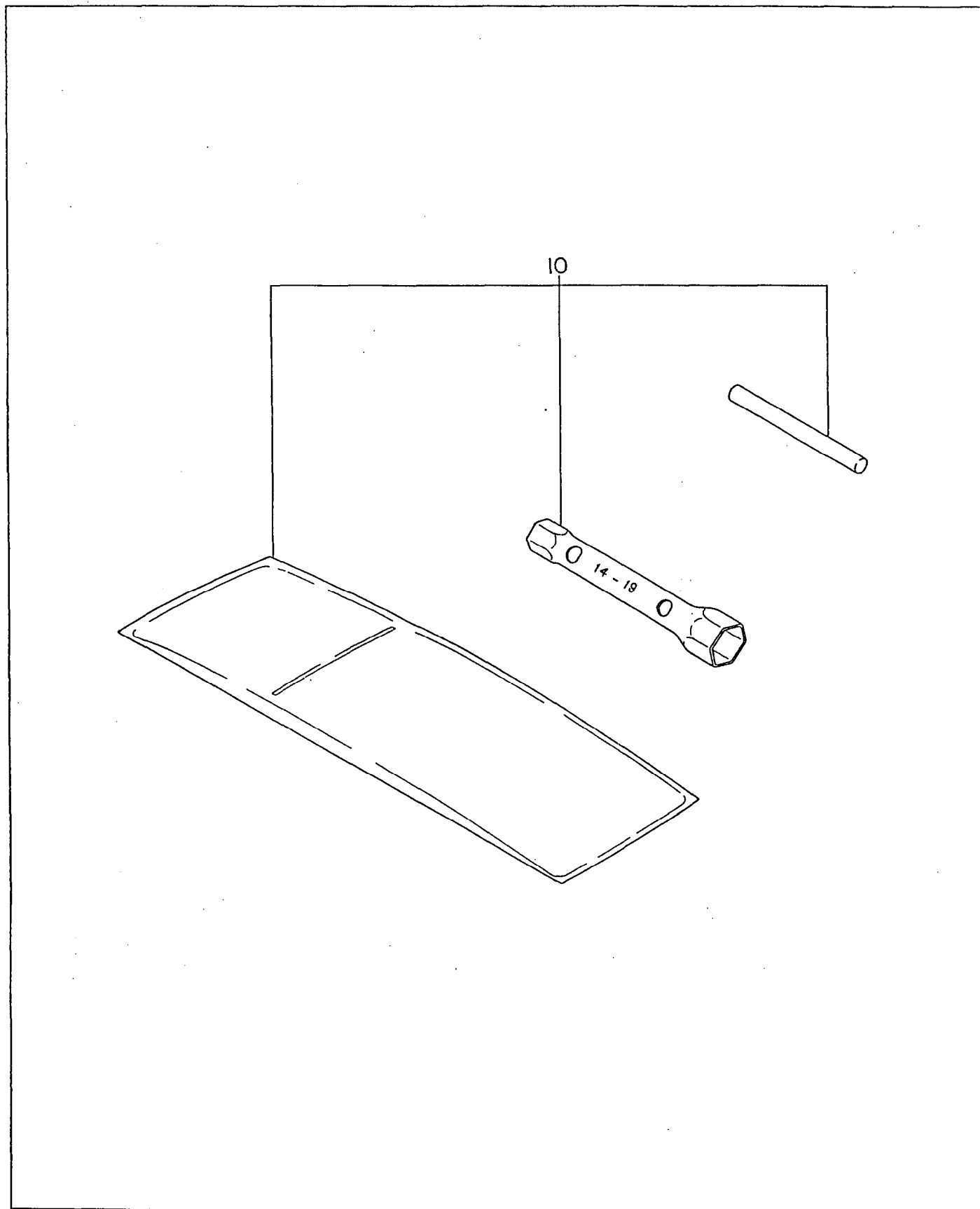


FIG. 8 PARTS TO BE SHIPPED LOOSE

