



YAMAHA

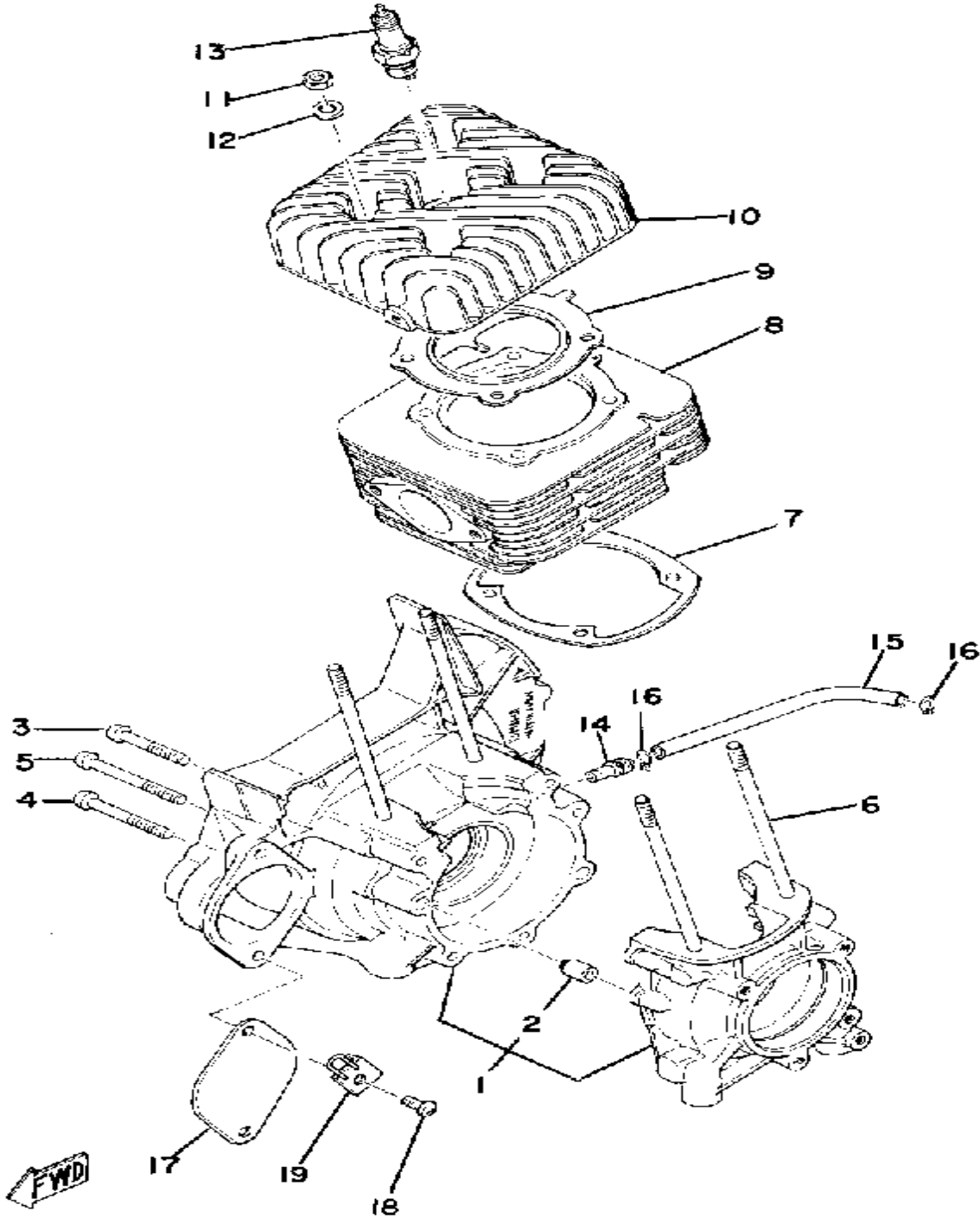
GENUINE

PARTS CATALOGUE

SNOWMOBILE

Property of www.SmallEngineDiscount.com - Not for Resale

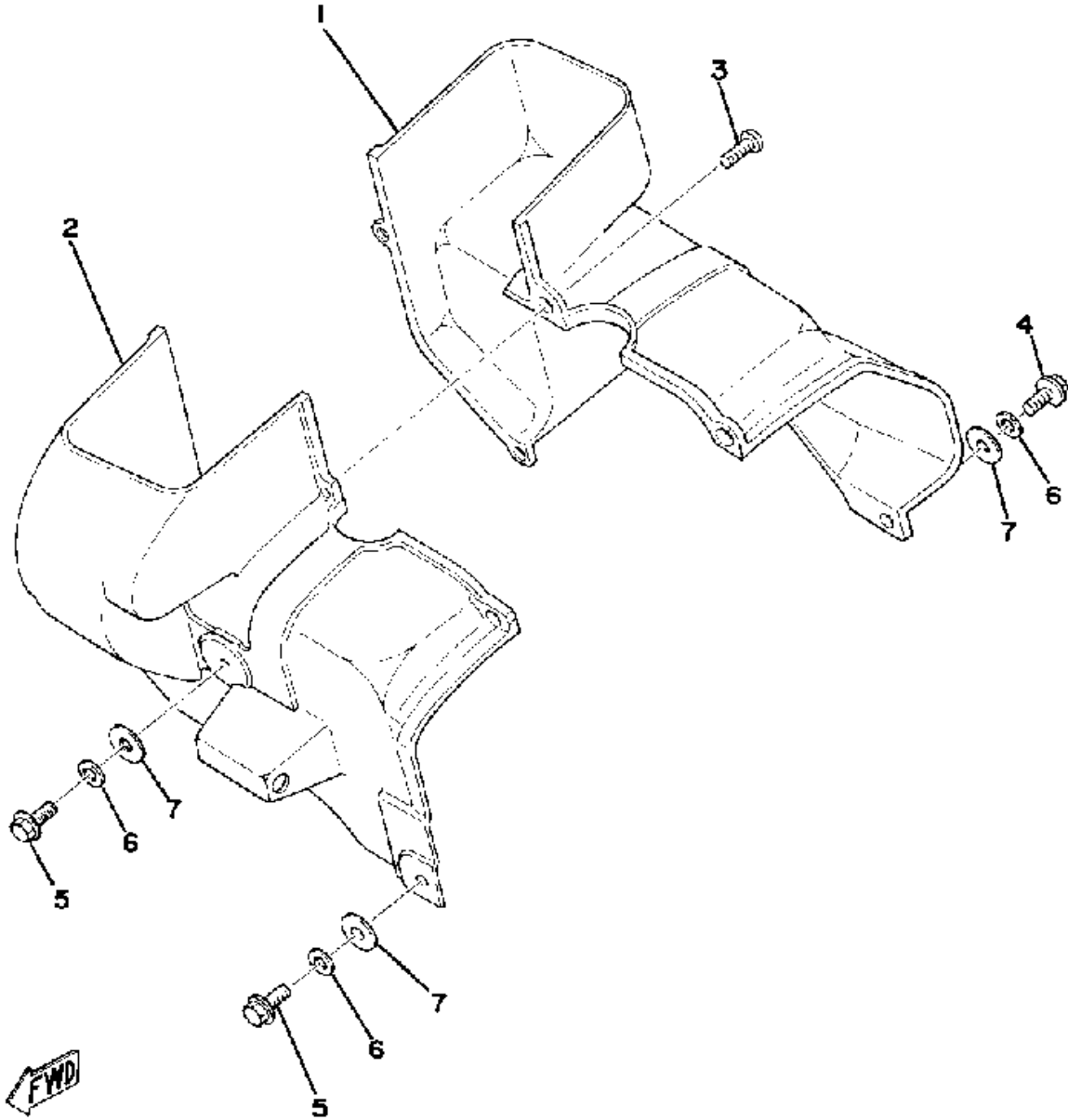
CRANKCASE - CYLINDER



Ref. No.	Part Number	Description	Qty	Remarks
1	(8F3-15100-00-00)	CRANKCASE ASSEMBLY	1	
2	99530-10014-00	. PIN, DOWEL	2	
3	98580-06545-00	SCREW PAN HEAD (92503-06045)	5	
4	98580-06055-00	SCREW, pan head (92501-06065-00)	1	
5	98580-06565-00	SCREW, PAN HEAD (92501-06065)	1	
6	90116-08254-00	BOLT, STUD	4	
7	881-11351-01-00	GASKET, CYLINDER	1	
8	8F3-11311-00-00	CYLINDER 1	1	
9	8F3-11181-00-00	GASKET, CYLINDER HEAD 1 (881-11181-00)	1	
10	8G5-11111-00-00	HEAD, CYLINDER 1	1	
11	95333-08600-00	NUT	4	
12	92990-08200-00	WASHER, PLAIN	4	
13	(NGK-BR8HV-00-00)	NGK BR8HV 4PK	1	
14	J38-11116-00-00	JOINT, BREATHER	1	
15	(90445-10138-00)	HOSE	1	
16	90467-09006-00	CLIP	2	
17	(881-12633-00-00)	PLATE	1	
18	92501-08010-00	SCREW, PAN HEAD	2	
19	(8F3-77125-00-00)	STAY 1	1	

Property of www.SmallEngineDiscount.com - Not for Resale

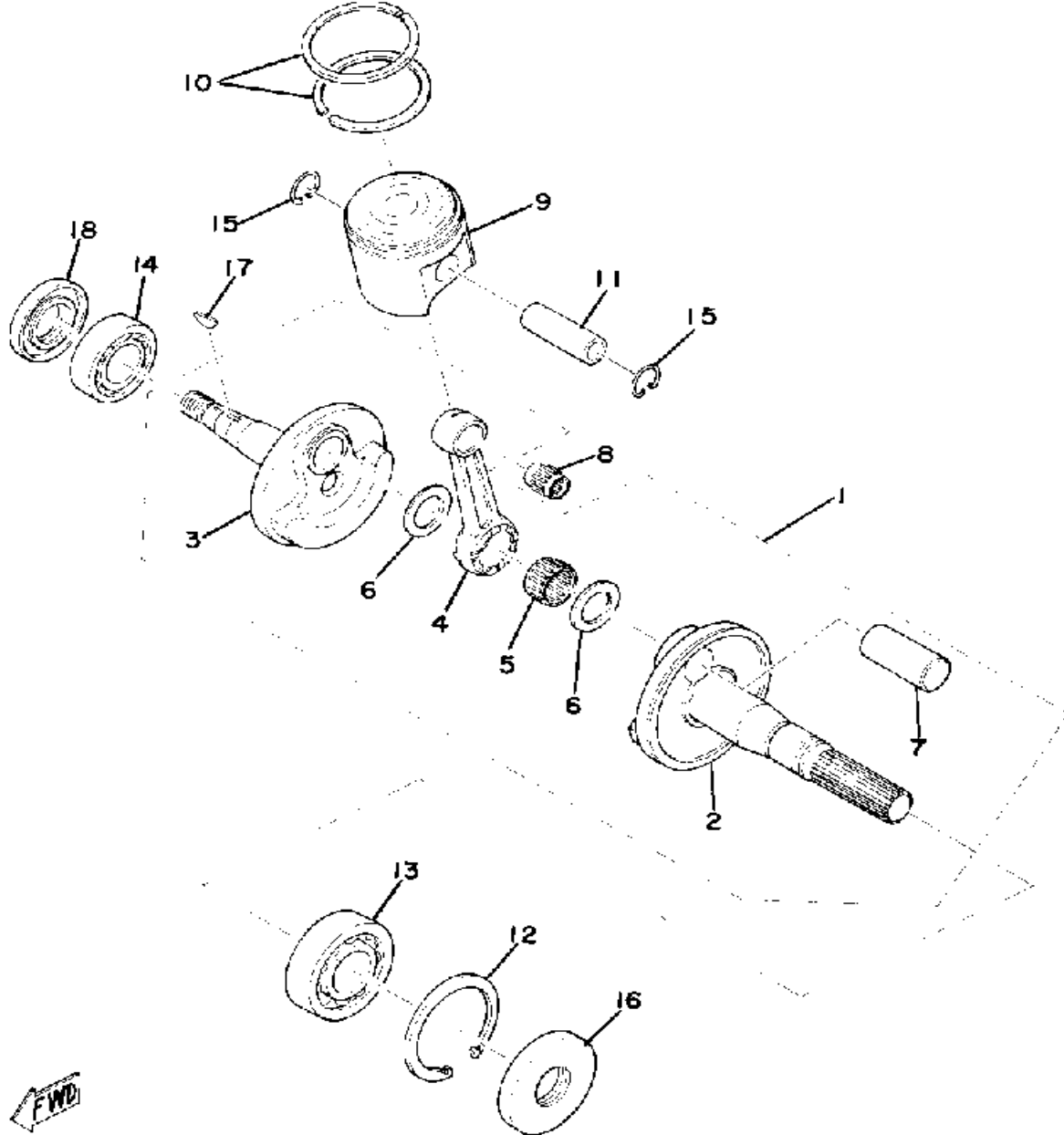
AIR SHROUD



Ref. No.	Part Number	Description	Qty	Remarks
1	8F3-12651-01-00	AIR SHROUD, CYLINDER 1 ...	1	
2	8F3-12652-00-00	AIR SHROUD, CYLINDER 2 ...	1	
3	98502-06016-00	SCREW, PAN HEAD (98501-06014-00)	4	
4	95811-06016-00	BOLT, FLANGE (95822-06016) .	2	
5	97313-06020-00	BOLT, HEXAGON		
6	(92901-06800-00)	WASHER, BELLEVILLE	4	
7	90201-06059-00	WASHER, PLATE	4	

Property of www.SmallEngineDiscount.com - Not for Resale

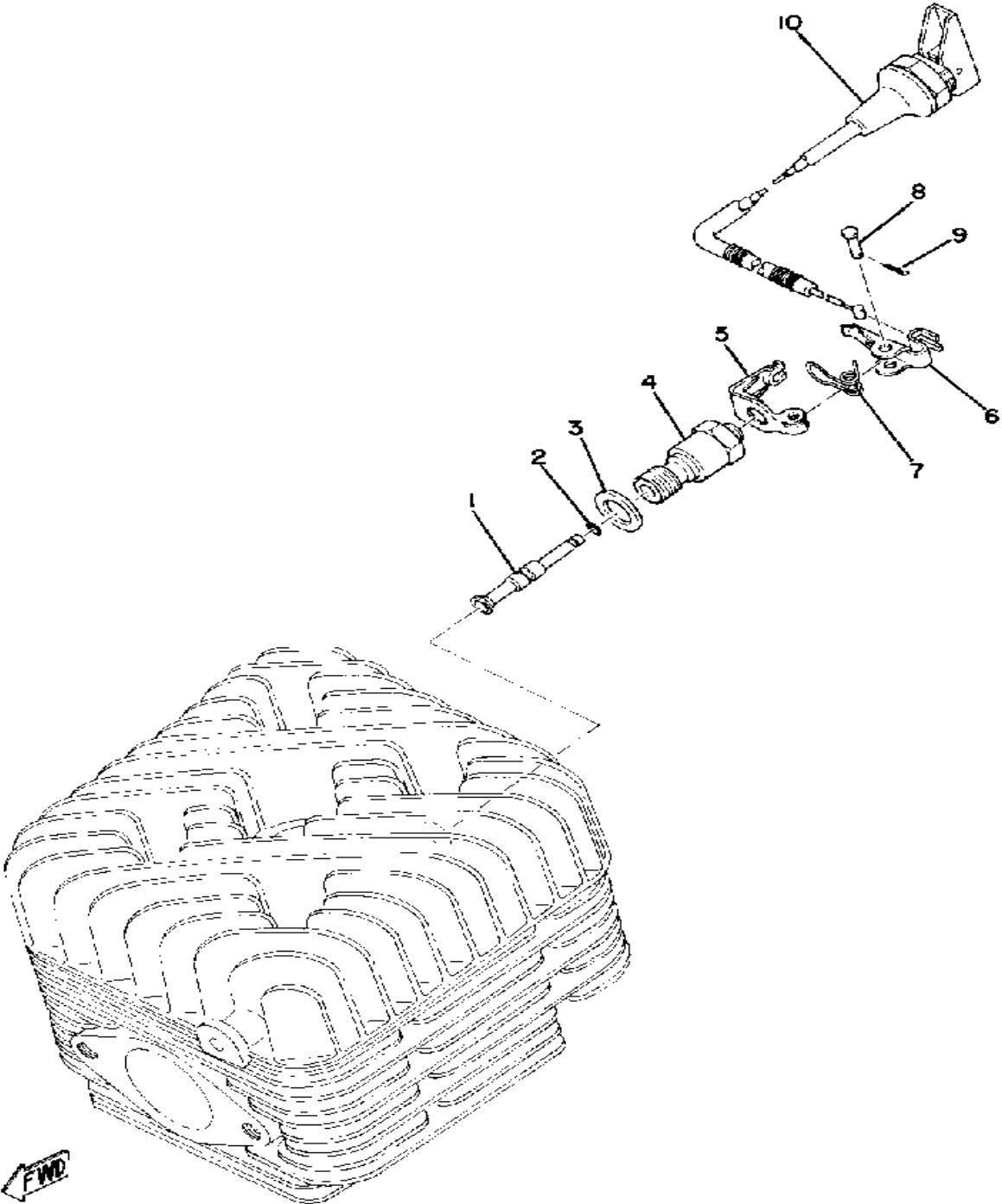
CRANK - PISTON



Ref. No.	Part Number	Description	Qty	Remarks
1	8F3-11400-00-00	CRANKSHAFT ASSEMBLY	1	
2	(8F3-11412-00-00)	CRANK 1	1	
3	(8F3-11422-00-00)	CRANK 2	1	
4	881-11651-00-00	. ROD, CONNECTING	1	
5	93310-42497-00	. BEARING, CYLINDER.# 0	1	
6	90209-24073-00	. WASHER	2	
7	857-11681-00-00	. PIN, CRANK 1	1	
8	93310-218A6-00	BEARING	1	
9	(8G5-11637-01-00)	PISTON 3 O/S 0.5	1	ALTERNATE PARTS
	(8G5-11638-01-00)	PISTON 4 O/S 1.0	1	ALTERNATE PARTS
	8G5-11631-01-96	PISTON STD (STD)	1	
	8G5-11635-01-00	PISTON 1 O/S 0.25 (1ST O/S 0.25MM)	1	ALTERNATE PARTS
	8G5-11636-01-00	PISTON 2 O/S 0.50 (2ND O/S 0.50MM)	1	ALTERNATE PARTS
10	8F3-11601-00-00	PISTON RINGSET STD	1	
	8F3-11601-10-00	PISTON RINGSET 1ST	1	ALTERNATE PARTS
	8F3-11601-20-00	PISTON RINGSET 2ND	1	ALTERNATE PARTS
	8F3-11601-30-00	PISTON RINGSET 3RD	1	ALTERNATE PARTS
	8F3-11601-40-00	PISTON RINGSET 4TH	1	ALTERNATE PARTS
11	818-11633-00-00	PIN, PISTON	1	
12	93450-72048-00	CIRCLIP, INNER	1	
13	93306-30605-00	BEARING	1	
14	93306-20613-00	BEARING (B6203)	1	
15	93450-20026-00	CIRCLIP	2	
16	93102-32161-00	OIL SEAL, SD-TYPE (FPJ-32-72-8-1 TS)	1	
17	90280-16053-00	KEY, WOODRUFF	1	
18	93102-30128-00	OIL SEAL, SD-TYPE	1	

Property of www.SmallEngineDiscount.com - Not for Resale

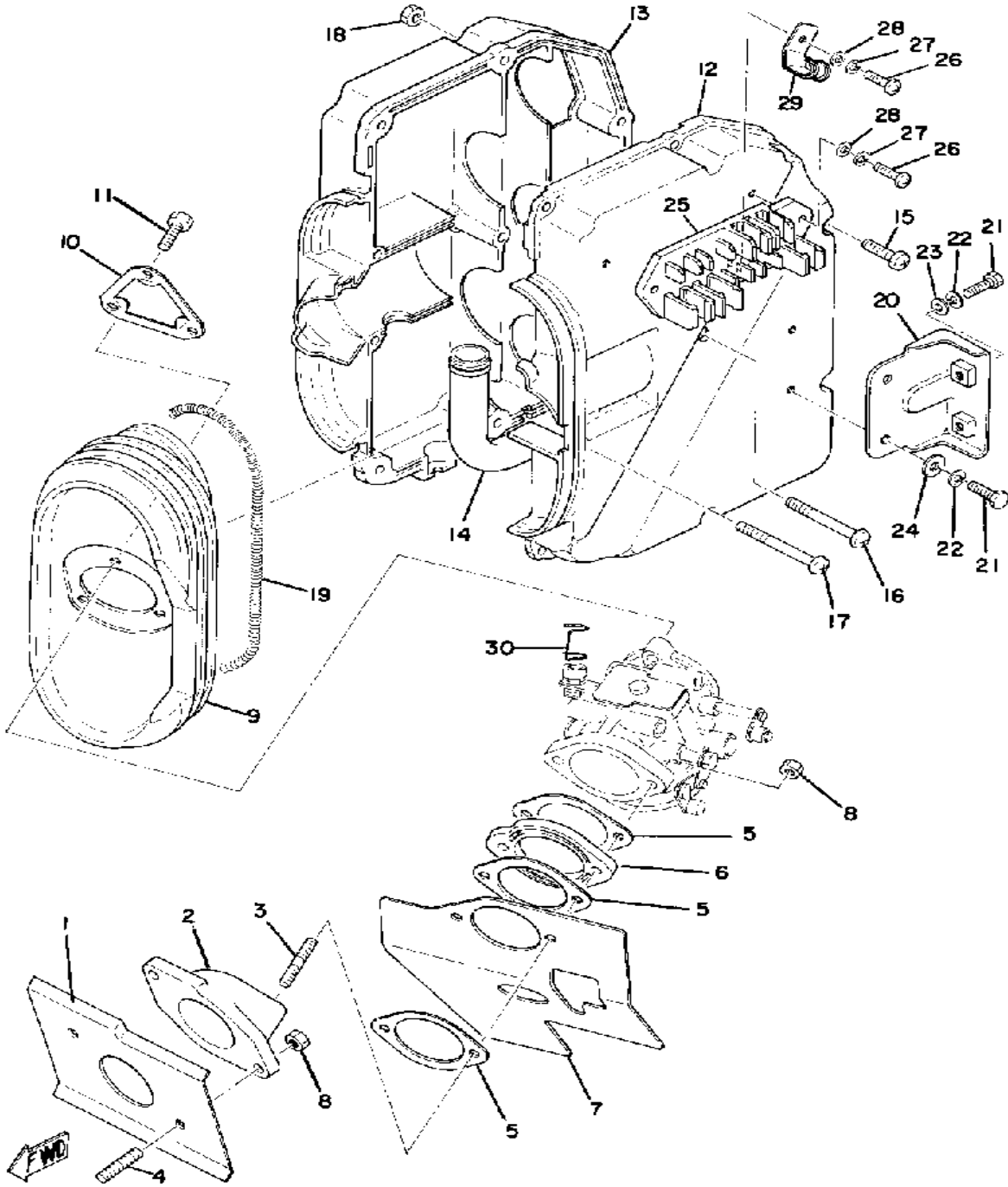
DECOMPRESSION VALVE



Ref. No.	Part Number	Description	Qty	Remarks
1	822-12281-00-00	VALVE, DCOMP	1	
2	93210-04092-00	O-RING	1	
3	812-11198-00-00	GASKET	1	
4	822-12283-00-00	BRACKET, DCOMP	1	
5	812-12273-00-00	HOLDER, CABLE	1	
6	275-12282-01-00	LEVER, DCOMP	1	
7	90508-10183-00	SPRING, TORSION	1	
8	90240-03002-00	PIN, CLEVIS	1	
9	91490-16020-00	PIN, COTTER	1	
10	8F3-12292-00-00	CABLE, DCOMP	1	

Property of www.SmallEngineDiscount.com - Not for Resale

INTAKE

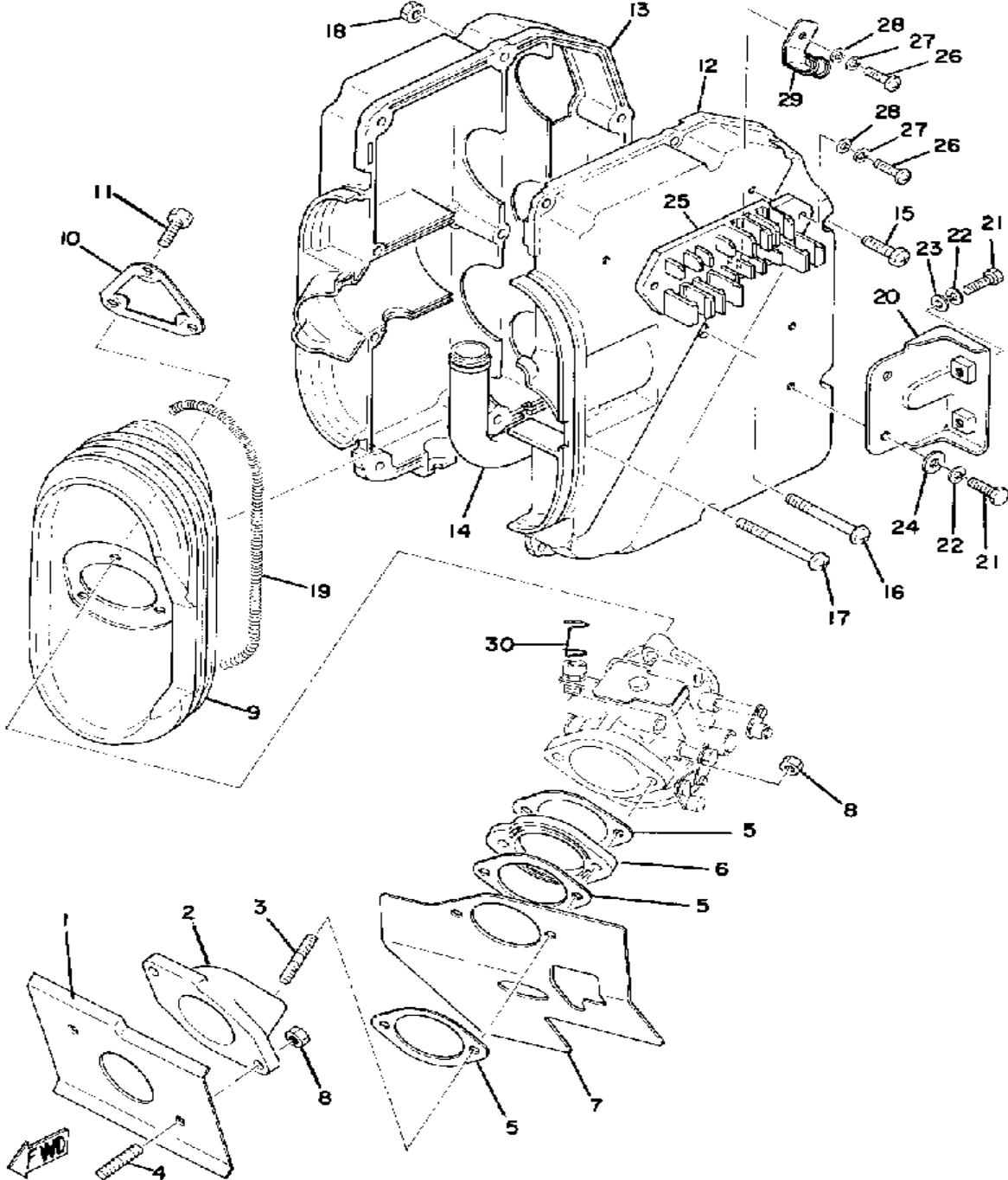


Ref. No.	Part Number	Description	Qty	Remarks
1	8G5-13556-00-00	GASKET, MANIFOLD	1	
2	(8F3-13565-00-00)	JOINT, CARBURETOR	1	
3	90116-08266-00	BOLT, STUD	2	
4	90116-08039-00	BOLT, STUD	2	
5	881-13556-00-00	GASKET, MANIFOLD	3	
6	8F3-13555-00-00	MANIFOLD, INTAKE	1	
7	8F3-13567-00-00	GASKET	1	
8	95303-08700-00	NUT	4	
9	8F3-14453-00-00	JOINT, AIR CLNR 1	1	
10	8F3-14598-00-00	WASHER	1	
11	90109-06484-00	BOLT	3	
12	8F3-14431-00-00	SILENCER, INTAKE 1	1	
13	8F3-14441-00-00	SILENCER, INTAKE 2	1	
14	(8F3-14465-00-00)	PIPE	1	
15	98580-05016-00	SCREW, PAN HEAD	6	
16	98501-05046-00	SCREW, PAN HEAD	1	
17	98501-05070-00	SCREW, PAN HEAD	2	
18	95380-05600-00	NUT	9	
19	90506-06153-00	SPRING, TENSION	1	
20	(8F3-14499-00-00)	STAY 2	1	
21	97013-06012-00	BOLT	4	
22	92995-06100-00	WASHER, SPRING	4	
23	92901-06600-00	WASHER	2	
24	90201-065F3-00	WASHER, PLATE	2	
25	8F3-21794-00-00	HOLDER, COUPLER	1	
26	98503-06014-00	SCREW, PAN HEAD (92502-06016)	3	
27	92995-06100-00	WASHER, SPRING	3	
28	92901-06600-00	WASHER	3	

CONTINUED ON NEXT FRAME ►

Property of www.SmallEngineDiscount.com - Not for Resale

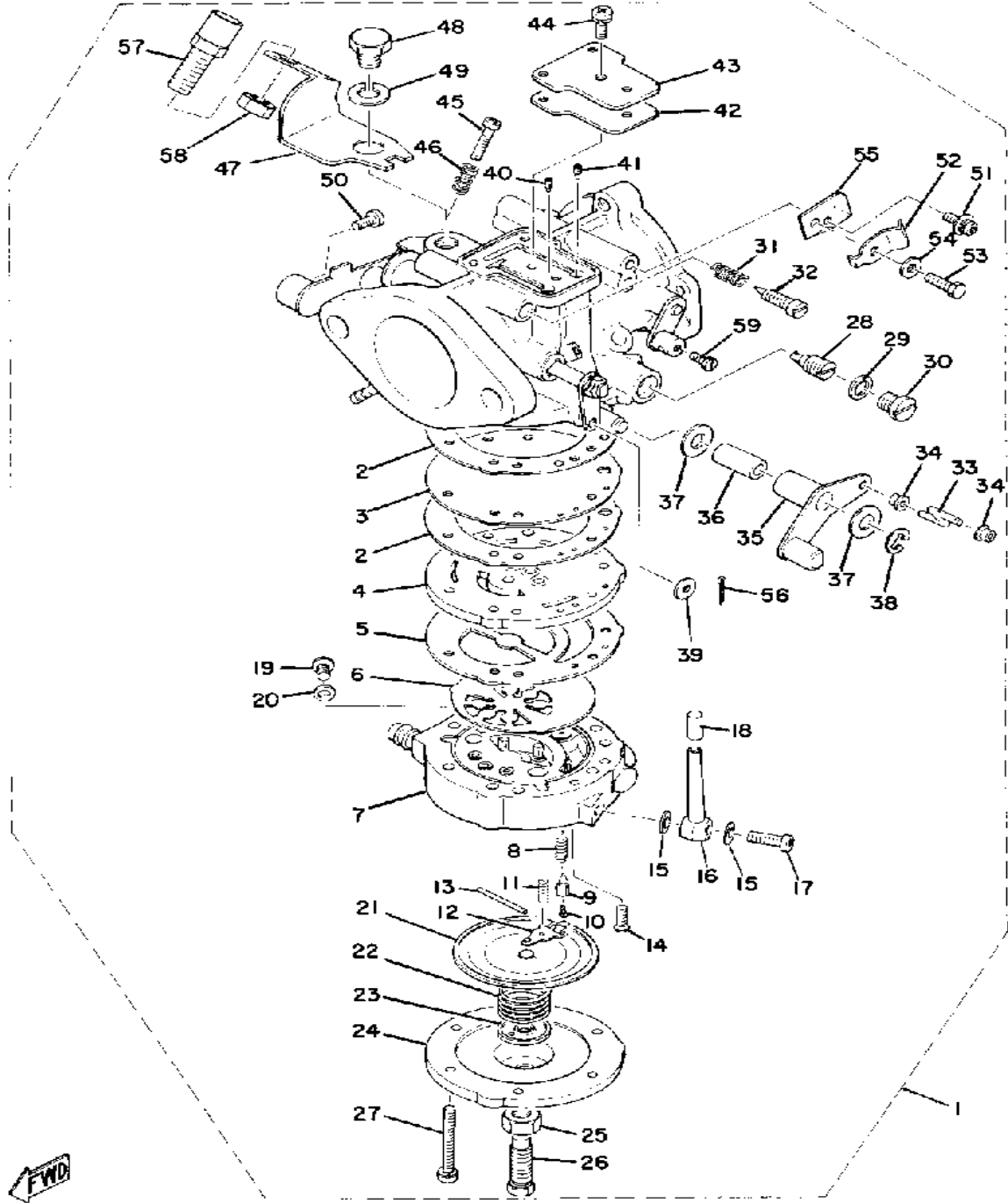
INTAKE



Ref. No.	Part Number	Description	Qty	Remarks
29	90465-06013-00	CLAMP	2	
30	90465-10033-00	CLAMP	1	

Property of www.SmallEngineDiscount.com - Not for Resale

CARBURETOR

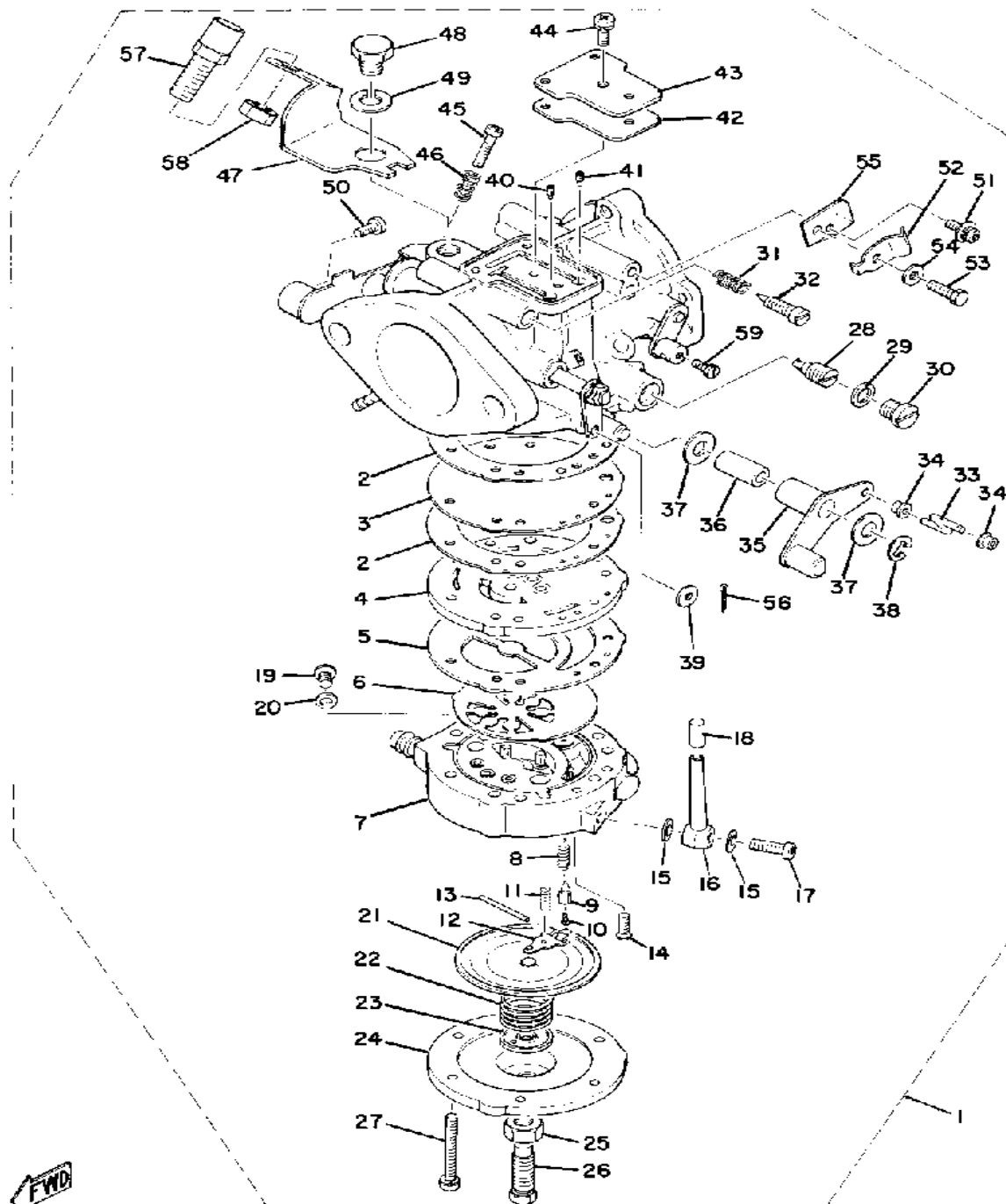


Ref. No.	Part Number	Description	Qty	Remarks
1	(8F3-14501-00-00)	CARBURETOR ASSEMBLY 1	1	
2	879-14536-00-00	. GASKET	2	
	879-14536-01-00	. GASKET (879-14536-00)	2	
3	879-14541-01-00	. DIAPHRAGM, PUMP	1	
4	(865-14542-01-00)	BODY, PUMP 1	1	
5	865-14553-00-00	. GASKET	1	
6	806-14552-01-00	. VALVE, CHECK	1	
7	(8F3-14541-00-00)	DIAPHRAGM, PUMP	1	
8	(90501-02349-00)	SPRING, COMPRESSION	1	
9	838-14546-00-00	. VALVE, NEEDLE	1	
10	676-14186-00-00	. PIN, FLOAT	1	
11	810-14556-00-00	. SPRING	1	
12	(810-14547-00-00)	ARM, FLOAT	1	
13	(806-14548-00-00)	PIN, FLOAT ARM	1	
14	98702-03008-00	. SCREW, FLAT HEAD	1	
15	806-14559-00-00	. WASHER	2	
16	810-14197-02-00	. PIPE, AIRVENT	1	
17	8A1-14592-00-00	. SCREW	1	
18	810-24462-01-00	. CAP, BLIND	1	
19	(806-14567-01-00)	SCREW	1	
20	810-14597-00-00	. WASHER	1	
21	810-14545-00-00	. DIAPHRAGM	1	
22	(857-14555-00-00)	SPRING	1	
23	(810-14136-00-00)	SEAT, SPRING	1	
24	(810-14544-01-00)	BODY, PUMP 3	1	
25	95303-08700-00	. NUT	1	
26	884-14565-01-00	. SCREW, STOP	1	
27	(824-14567-00-00)	SCREW	6	
28	845-14516-30-00	. JET, MAIN #130 (130)	1	

CONTINUED ON NEXT FRAME ➤

Property of www.SmallEngineDiscount.com - Not for Resale

CARBURETOR

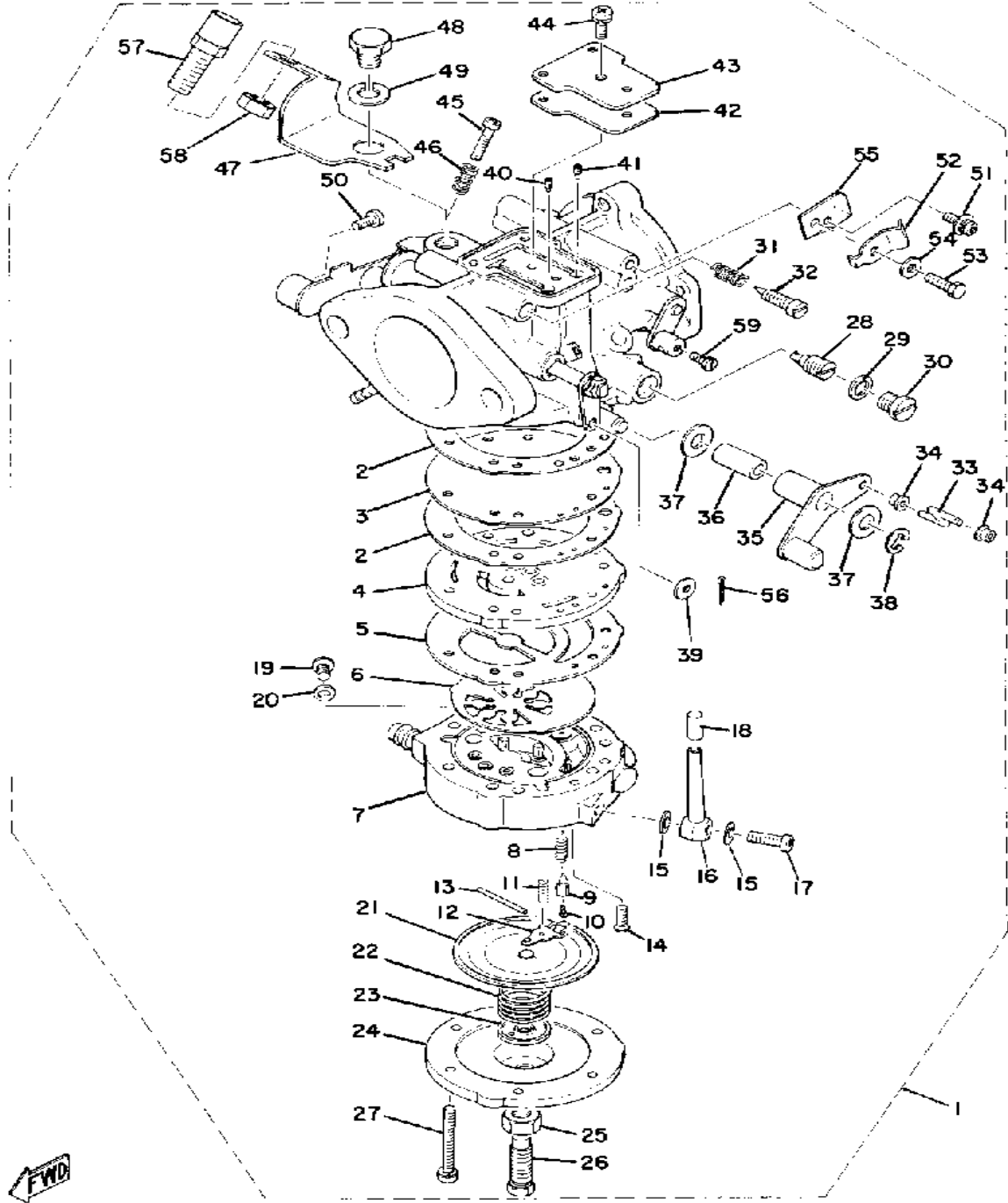


Ref. No.	Part Number	Description	Qty	Remarks
29	838-14597-00-00	. WASHER	1	
30	(845-14567-00-00)	SCREW	1	
31	(90501-10237-00)	SPRING, COMPRESSION	1	
32	(865-14522-00-00)	SCREW, ADJUST	1	
33	8F3-14577-00-00	. ROD	1	
34	865-14534-00-00	. COLLAR	2	
35	8F3-14575-01-00	. LEVER, LINK	1	
36	8F3-14534-00-00	. COLLAR	1	
37	8F3-14557-00-00	. WASHER	2	
38	8F3-14597-00-00	. WASHER	1	
39	90202-06056-00	. WASHER, PLATE	1	
40	865-14515-50-00	. JET #50 (#50)	1	
41	(865-14515-40-00)	JET # 0	1	
42	(865-14537-00-00)	GASKET	1	
43	(8A1-14527-00-00)	PLATE	1	
44	90159-05005-00	. SCREW, WITH WASHER	1	
45	90157-04010-00	. SCREW, PAN HEAD	1	
46	90501-12229-00	. SPRING, COMPRESSION	1	
47	(8F3-14572-01-00)	PLATE, STAY	1	
48	97313-08012-00	. BOLT	1	
49	92990-08100-00	. WASHER	1	
50	98580-04008-00	. SCREW, PAN HEAD	1	
51	90159-05005-00	. SCREW, WITH WASHER	1	
52	879-14581-00-00	. BRACKET	1	
53	(810-14591-00-00)	SCREW	1	
54	92901-04100-00	. WASHER, SPRING	1	
55	(8F3-14527-00-00)	PLATE	1	
56	91490-12012-00	. PIN, COTTER	1	
57	857-14576-00-00	. ADJUSTER, CABLE	1	

CONTINUED ON NEXT FRAME ►

Property of www.SmallEngineDiscount.com - Not for Resale

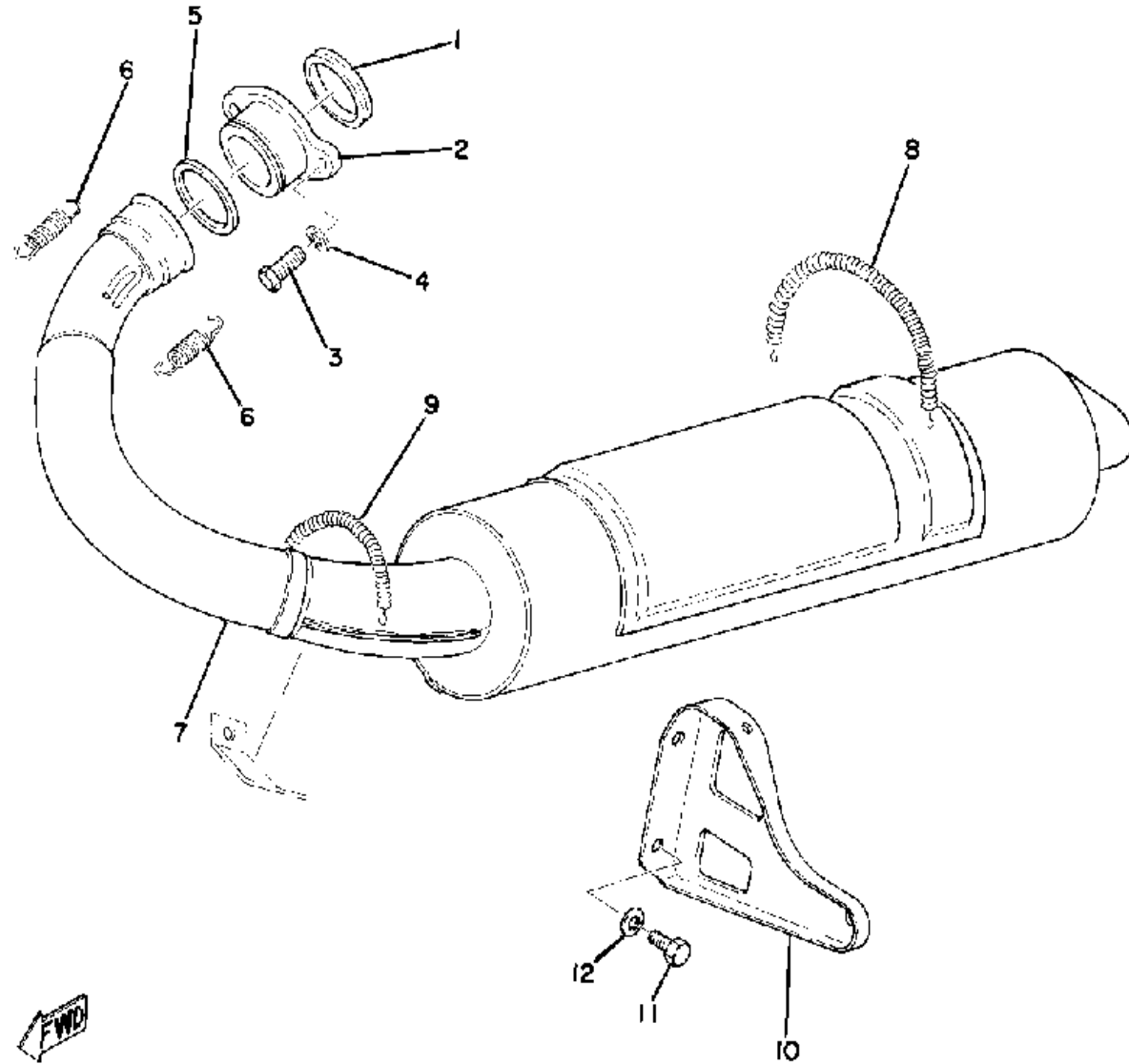
CARBURETOR



Ref. No.	Part Number	Description	Qty	Remarks
58	90170-08139-00	. NUT, HEXAGON	1	
59	(8F3-14591-00-00)	SCREW	1	

Property of www.SmallEngineDiscount.com - Not for Resale

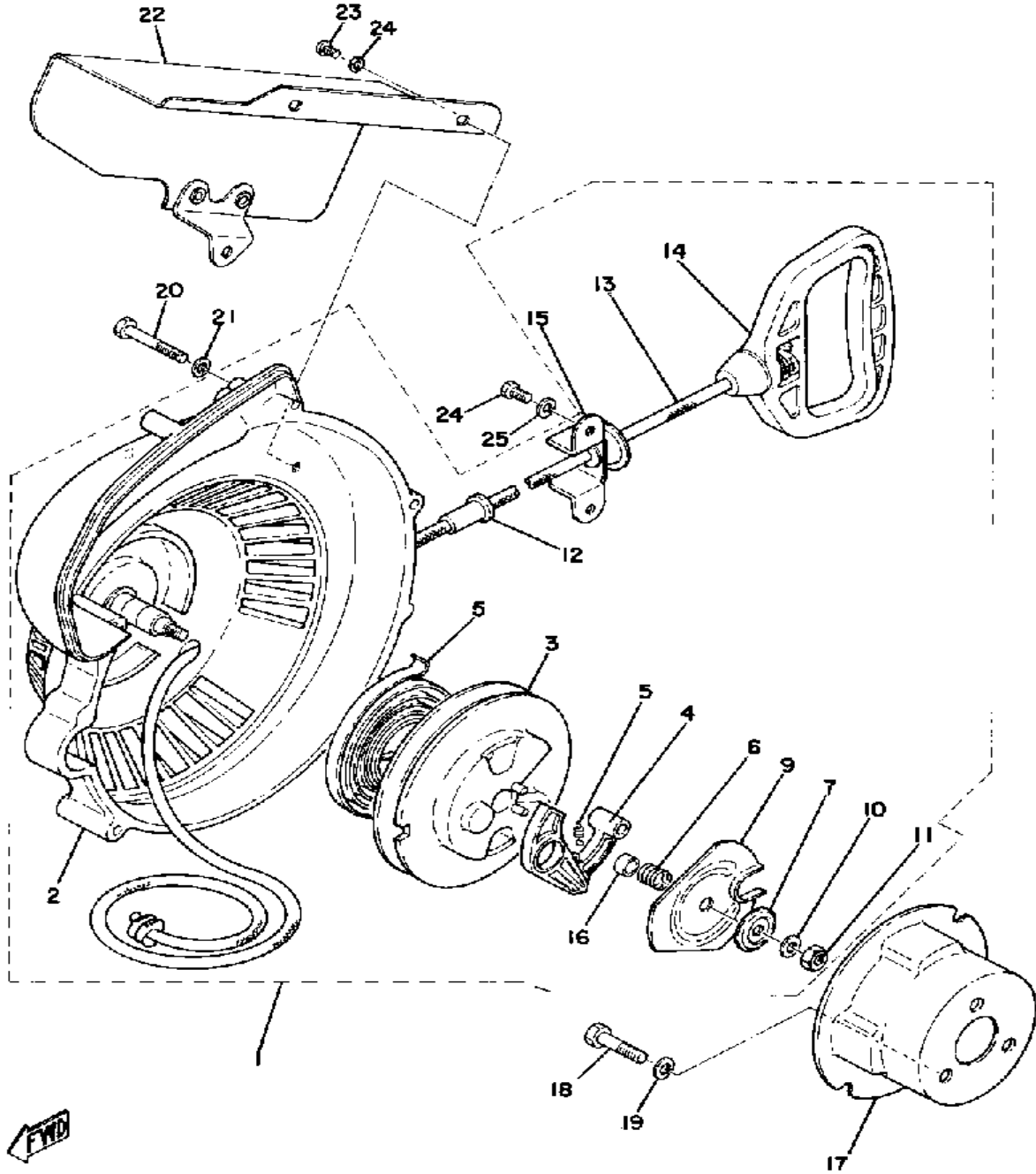
EXHAUST



Ref. No.	Part Number	Description	Qty	Remarks
1	8F3-14613-00-00	GASKET, EXST PIPE	1	
2	81E-14612-00-00	NUT, RING	1	
3	97013-08025-00	BOLT	2	
4	92990-08100-00	WASHER	2	
5	888-14633-00-00	RING	1	
6	90506-20074-00	SPRING, TENSION	2	
7	(8F3-14610-02-00)	EXHAUST PIPE ASSEMBLY L .	1	
8	90506-16076-00	SPRING, TENSION	1	
9	90506-16162-00	SPRING, TENSION	1	
10	(8F3-14771-02-00)	STAY, MUFFLER 1	1	
11	97313-08012-00	BOLT	2	
12	92990-08100-00	WASHER	2	

Property of www.SmallEngineDiscount.com - Not for Resale

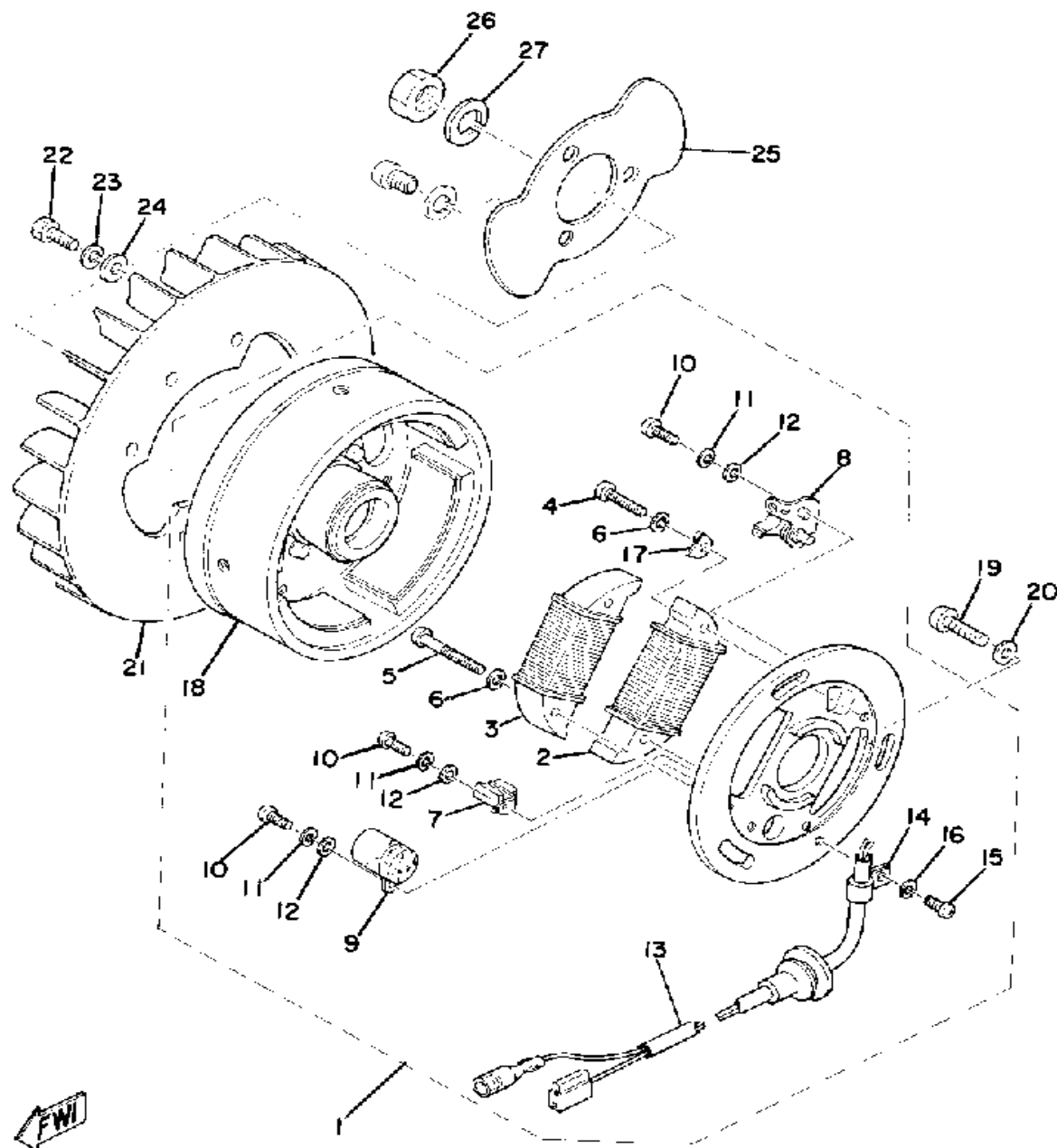
STARTER



Ref. No.	Part Number	Description	Qty	Remarks
1	8F3-15710-01-00	STARTER ASSEMBLY	1	
2	8F3-15711-01-00	. CASE, STARTER	1	
3	8F3-15714-01-00	. DRUM, SHEAVE	1	
4	8F3-15741-01-00	. PAWL, DRIVE	1	
5	8Y0-15713-00-00	. SPRING, STARTER	1	
6	8F3-15715-00-00	. SPRING, FRICTION	1	
7	8F3-15739-01-00	. WASHER, THRUST	1	
8	8F3-15734-00-00	. SPRING, RETURN	1	
9	(8F3-15716-01-00)	PLATE, DRIVE	1	
10	92995-06100-00	. WASHER, SPRING	1	
11	95380-06700-00	. NUT	1	
12	8F3-15758-00-00	. GUIDE, ROPE	1	
13	857-15751-00-00	. WIRE, STARTER	1	
14	8F3-15755-00-00	. HANDLE, STARTER	1	
15	8F3-15788-01-00	. HOLDER, HANDLE	1	
16	82M-15779-00-00	. COVER	1	
17	(8F3-15723-00-00)	PULLEY, STARTER	1	
18	97313-08018-00	BOLT, HEXAGON (97301-08016)	3	
19	92990-08100-00	WASHER	3	
20	97313-06050-00	BOLT	5	
21	92901-06600-00	WASHER	5	
22	8F3-15471-00-00	DUCT, AIR	1	
23	98580-05010-00	SCREW, PAN HEAD	3	
24	92901-05600-00	WASHER, PLATE	3	
25	97013-06012-00	BOLT	2	
26	92995-06100-00	WASHER, SPRING	2	

Property of www.SmallEngineDiscount.com - Not for Resale

FLYWHEEL MAGNETO

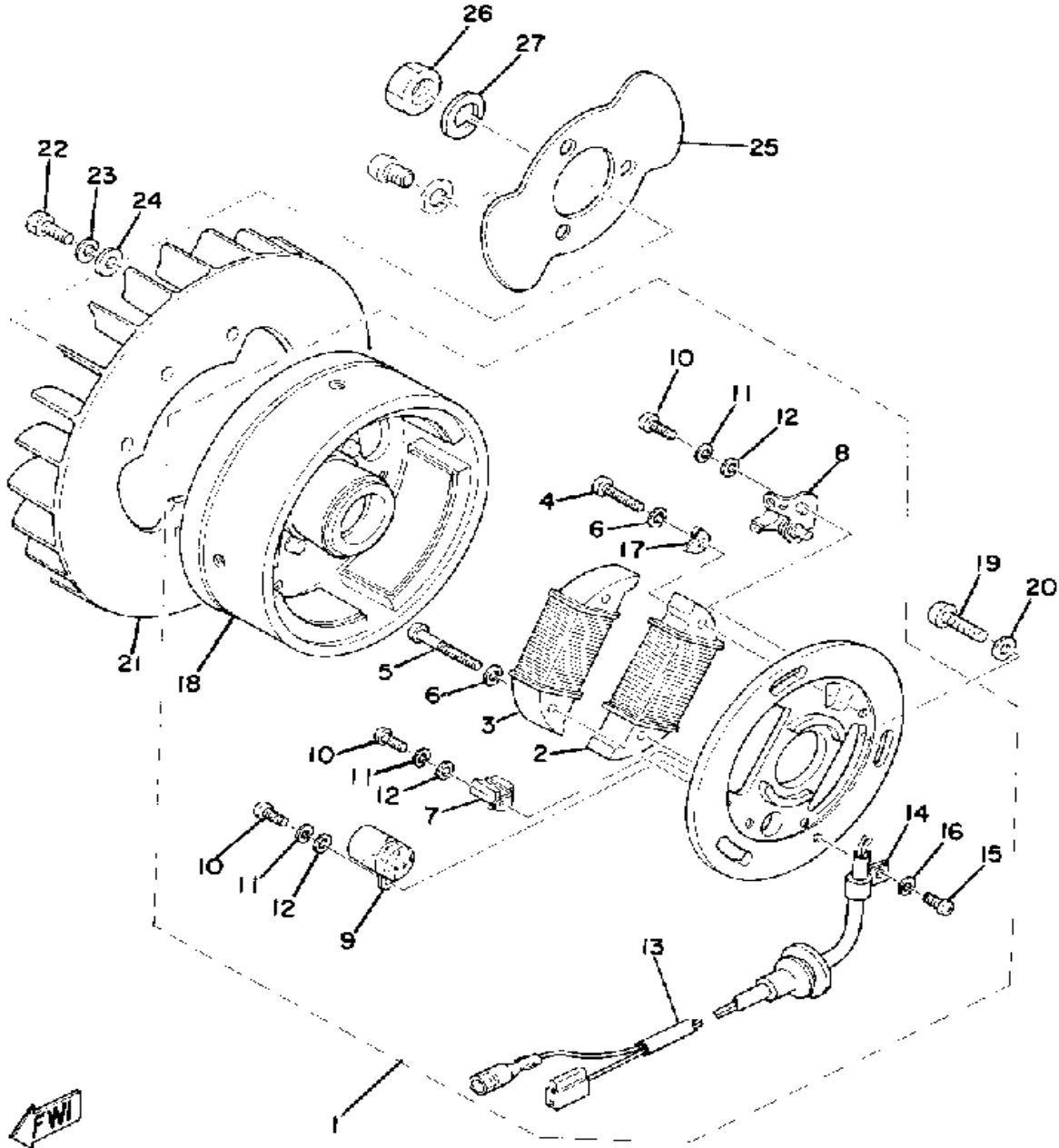


Ref. No.	Part Number	Description	Qty	Remarks
1	(8F3-81300-10-00)	FLYWHL MAGNETO ASSEMBLY	1	
2	8F3-81312-10-00	. COIL, SOURCE	1	
3	(8F3-81313-10-00)	COIL, LIGHTING 1	1	
4	98580-05020-00	. SCREW, PAN HEAD	2	
5	98501-05035-00	. SCREW, PAN HEAD	2	
6	92990-05100-00	. WASHER, SPRING	4	
7	207-81331-10-00	. LUBRICATOR	1	
8	650-81321-10-00	. CONTACT BRKR ASSEMBLY	1	
9	207-81326-90-00	. CONDENSER 2	1	
10	98580-04010-00	. SCREW, PAN HEAD	3	
11	92990-04200-00	. WASHER, PLAIN	3	
12	92901-04600-00	. WASHER, PLATE	3	
13	(8F3-85515-10-00)	LEAD WIRE ASSEMBLY	1	
14	109-81328-11-00	. CLAMP	1	
15	98511-04006-00	. SCREW, PAN HEAD (98501-04005)	1	
16	92901-04100-00	. WASHER, SPRING	1	
17	(434-81332-10-00)	PLATE, TIMING	1	
18	(8F3-81350-10-00)	ROTOR ASSEMBLY	1	
19	98503-06014-00	SCREW, PAN HEAD (92502-06016)	3	
20	92901-06600-00	WASHER	3	
21	(8G5-12611-00-00)	FAN	1	
22	97011-06016-00	BOLT	6	
23	92995-06100-00	WASHER, SPRING	6	
24	92901-06600-00	WASHER	6	
25	(881-81362-00-00)	COVER, HOLE	1	
26	90170-16182-00	NUT	1	
27	(8F3-80000-10-00)	ELECTRICAL REPAIR	1	S7-004

CONTINUED ON NEXT FRAME ►

Property of www.SmallEngineDiscount.com - Not for Resale

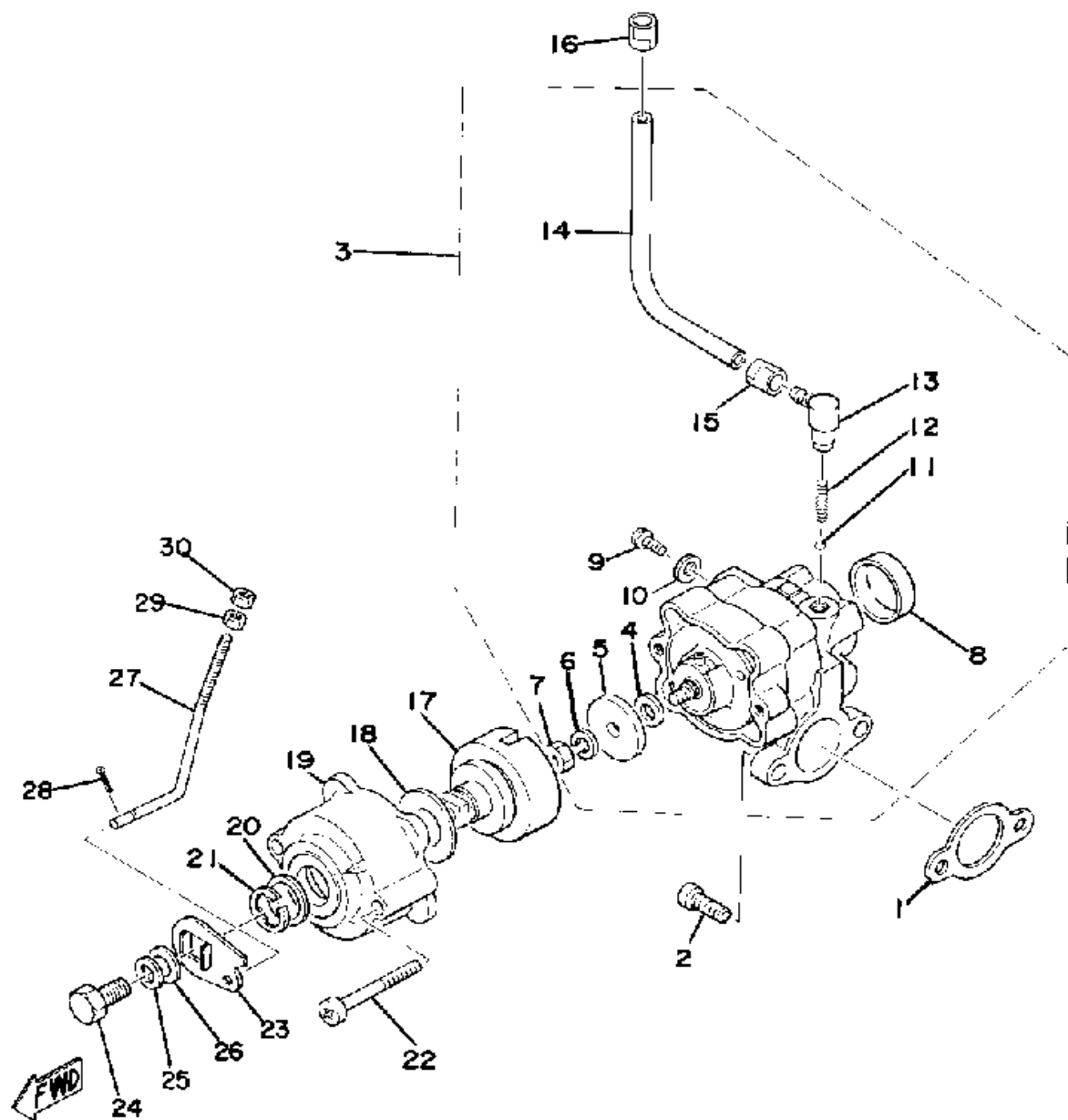
FLYWHEEL MAGNETO



Ref. No.	Part Number	Description	Qty	Remarks
27	207-81331-10-00	. LUBRICATOR	1	
	650-81321-10-00	. CONTACT BRKR ASSEMBLY	1	
	92901-16100-00	WASHER, SPRING	1	
	92990-04200-00	. WASHER, PLAIN	3	

Property of www.SmallEngineDiscount.com - Not for Resale

OIL PUMP

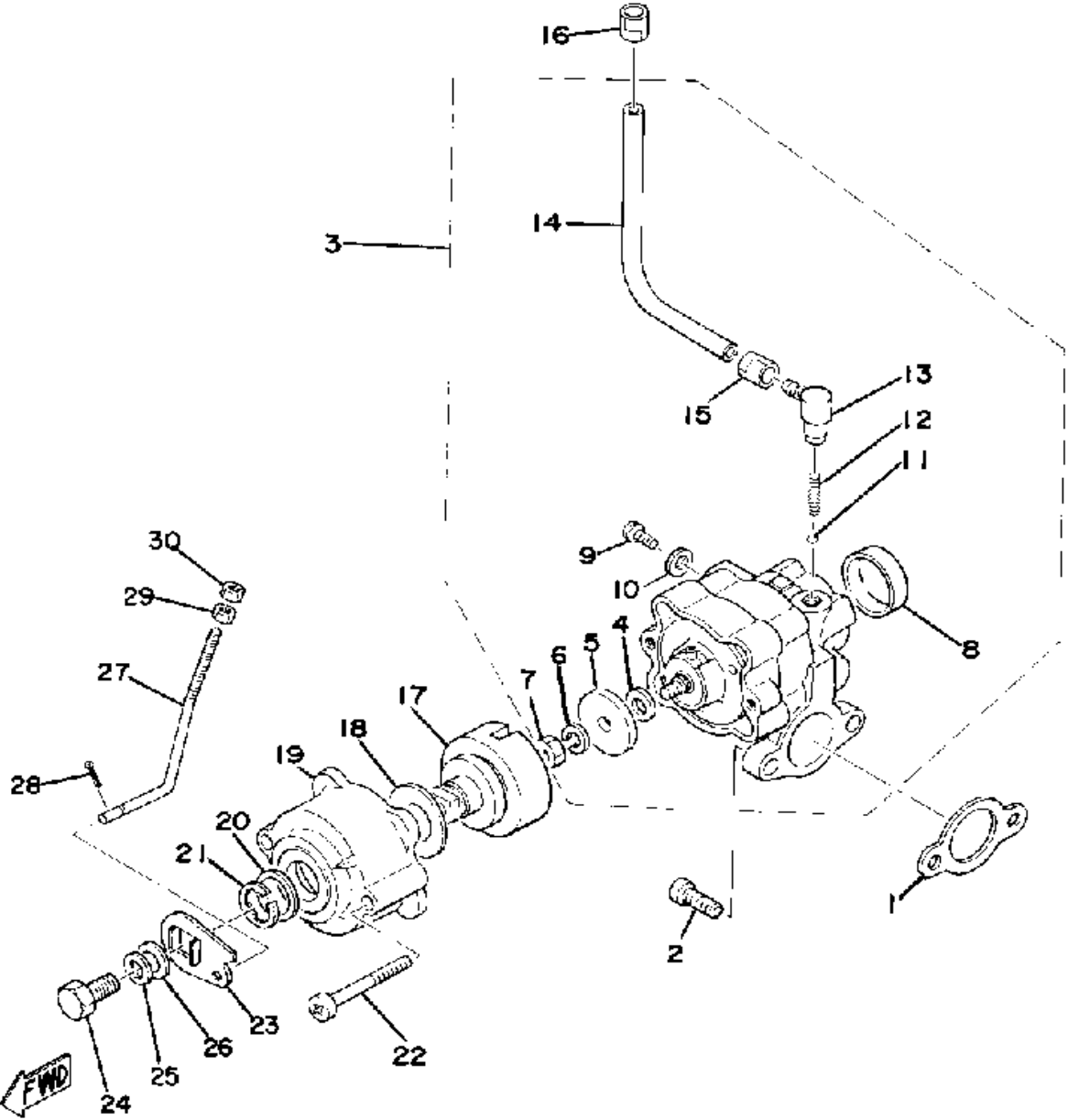


Ref. No.	Part Number	Description	Qty	Remarks
1	3MT-13116-00-00	GASKET, PUMP CASE (8Y0-13116-00)	1	
2	98580-05016-00	SCREW, PAN HEAD	2	
3	(8F3-13101-01-00)	OIL PUMP ASSEMBLY	1	
4	137-13137-00-03	. SHIM (0.3T)	1	
	137-13137-00-05	. SHIM (0.5T)	1	
	137-13137-00-10	. SHIM (1.0T)	1	
5	137-13138-01-00	. PLATE, ADJUSTING	1	
6	92990-05100-00	. WASHER, SPRING	1	
7	95380-05600-00	. NUT	1	
8	90338-21100-00	. PLUG	1	
9	98901-04008-00	. SCREW, BIND	1	
10	90430-04004-00	. GASKET	1	
11	93505-32002-00	. BALL	1	
12	90501-02018-00	. SPRING, COMPRESSION	1	
13	353-13552-01-00	. NOZZLE	1	
14	90445-05019-00	. HOSE	1	
15	90468-02033-00	. CLIP	1	
16	90468-02033-00	CLIP	1	
17	860-13153-00-00	SHAFT, PUMP CONTROL	1	
18	860-13119-00-00	SEAL, GREASE	1	
19	(812-13146-00-00)	COVER, AJST PULLEY	1	
20	(812-13147-00-00)	SHIM	1	
21	99001-09600-00	CIRCLIP	1	
22	98511-04030-00	SCREW, PAN HEAD	2	
23	(878-13156-00-00)	LEVER, PUMP CONTROL	1	
24	97013-06012-00	BOLT	1	
25	92995-06100-00	WASHER, SPRING	1	
26	92990-06200-00	WASHER	1	

CONTINUED ON NEXT FRAME ►

Property of www.SmallEngineDiscount.com - Not for Resale

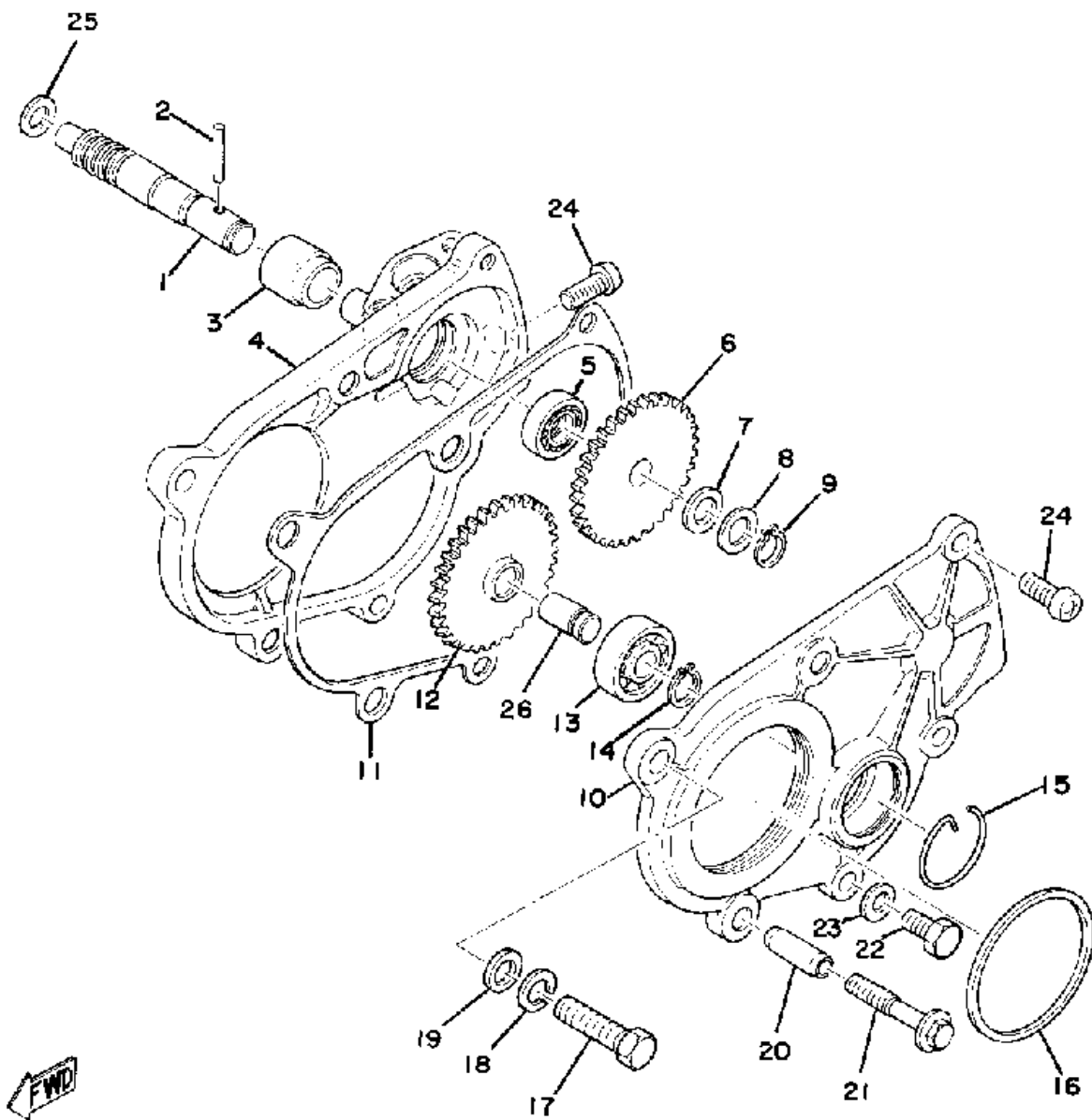
OIL PUMP



Ref. No.	Part Number	Description	Qty	Remarks
27	(8F3-13157-00-00)	ROD, PUMP CONTROL	1	
28	91490-12012-00	PIN, COTTER	1	
29	90170-03008-00	NUT, HEXAGON (807-13139-00)	1	
30	90185-03007-00	NUT, SELF-LOCKING (838-13139-00)	1	

Property of www.SmallEngineDiscount.com - Not for Resale

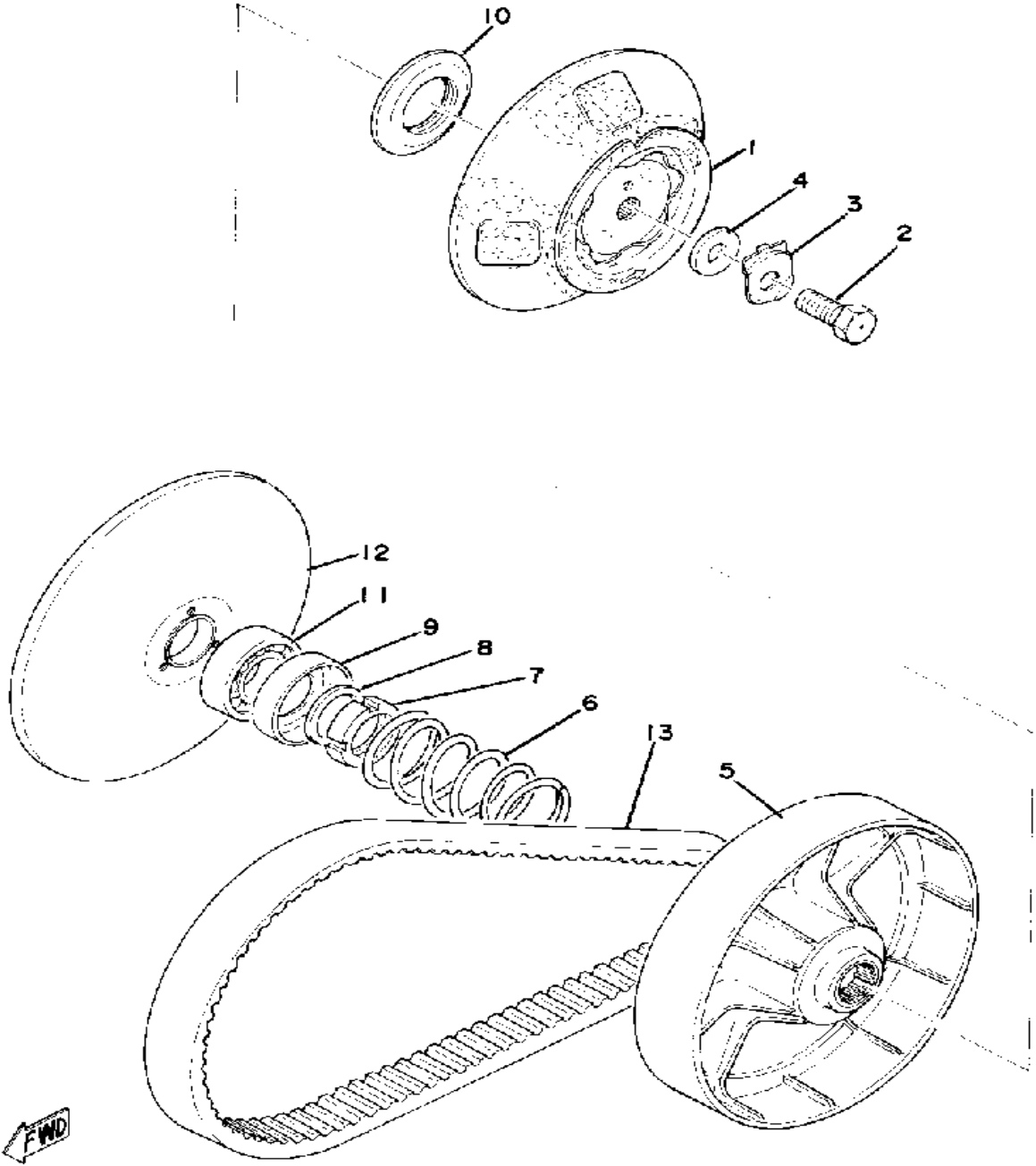
PUMP DRIVE GEAR



Ref. No.	Part Number	Description	Qty	Remarks
1	(8F3-13175-00-00)	SHAFT, WORM	1	
2	93603-22028-00	PIN, DOWEL	1	
3	821-13176-00-00	METAL, WORM SHAFT OUTER	1	
4	(8E6-15416-00-00)	COVER, OIL PUMP	1	
5	93101-10090-00	OIL SEAL	1	
6	821-13188-00-00	GEAR, DRIVE (32T)	1	
7	90206-11016-00	WASHER, WAVE	1	
8	137-13148-00-00	PLATE, CAM THRUST	1	
9	99009-10400-00	CIRCLIP	1	
10	8F3-15426-00-00	COVER, OIL PUMP R	1	
11	860-15466-00-00	GASKET 2	1	
12	(8F3-13179-01-00)	GEAR, IDLE	1	
13	93306-00003-00	BEARING (B6000RS)	1	
14	99009-10400-00	CIRCLIP	1	
15	(90468-12077-00)	CLIP	1	
16	93112-53004-00	OIL SEAL, SR-TYPE	1	
17	97313-08030-00	BOLT, HEXAGON	1	
18	92990-08100-00	WASHER	1	
19	92901-08600-00	WASHER	1	
20	91810-18022-00	PIN, DOWEL	2	
21	95811-06035-00	BOLT, FLANGE	2	
22	97011-06025-00	BOLT (97001-06025)	1	
23	92901-06600-00	WASHER	1	
24	98503-06014-00	SCREW, PAN HEAD (92502-06016)	3	
25	90201-08624-00	WASHER, PLATE	1	
26	8F3-13342-00-00	SHAFT, IDLE GEAR	1	

Property of www.SmallEngineDiscount.com - Not for Resale

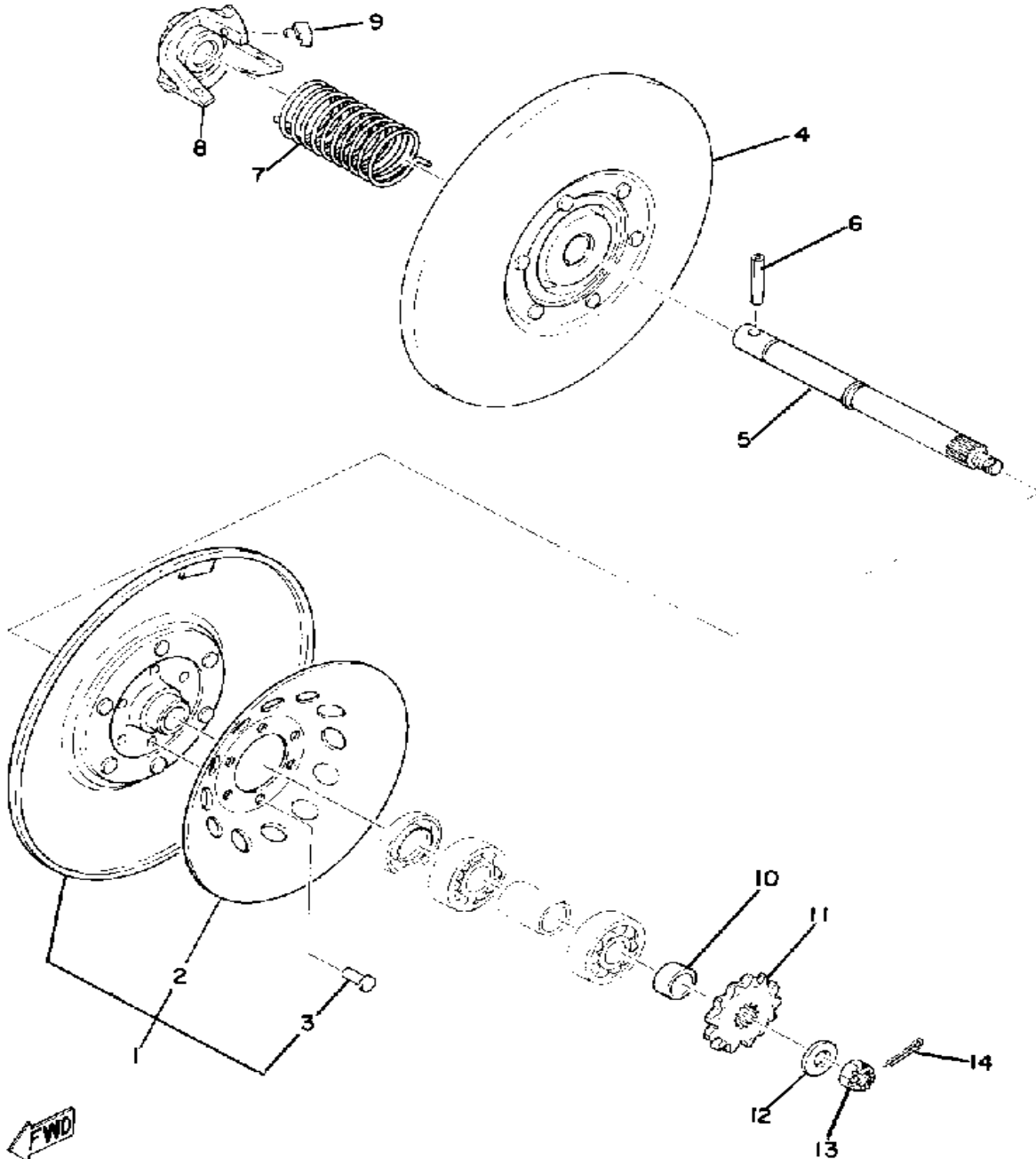
PRIMARY SHEAVE



Ref. No.	Part Number	Description	Qty	Remarks
1	8F3-W1762-01-00	PRI. SHEAVE CAP (8F3-17630-00)	1	
2	(838-17647-01-00)	BOLT	1	
3	90215-12084-00	WASHER, LOCK	1	
4	90201-12191-00	WASHER, PLATE	1	
5	(8F3-17620-00-00)	PRI SLIDG SHEAVE	1	
6	90501-55451-00	SPRING, COMPRESSION	1	
7	(810-17642-00-00)	NUT, BEARING	1	
8	90208-28003-00	WASHER, CONICAL SPR	1	
9	(820-17644-00-00)	SEAT, SPRING	1	
10	8F3-17623-00-00	CAM	1	
11	93306-20567-00	BEARING	1	
12	8E3-W1761-00-00	PRI. FIXED SHEAVECOMP.	1	
13	820-17641-00-00	V-BELT	1	

Property of www.SmallEngineDiscount.com - Not for Resale

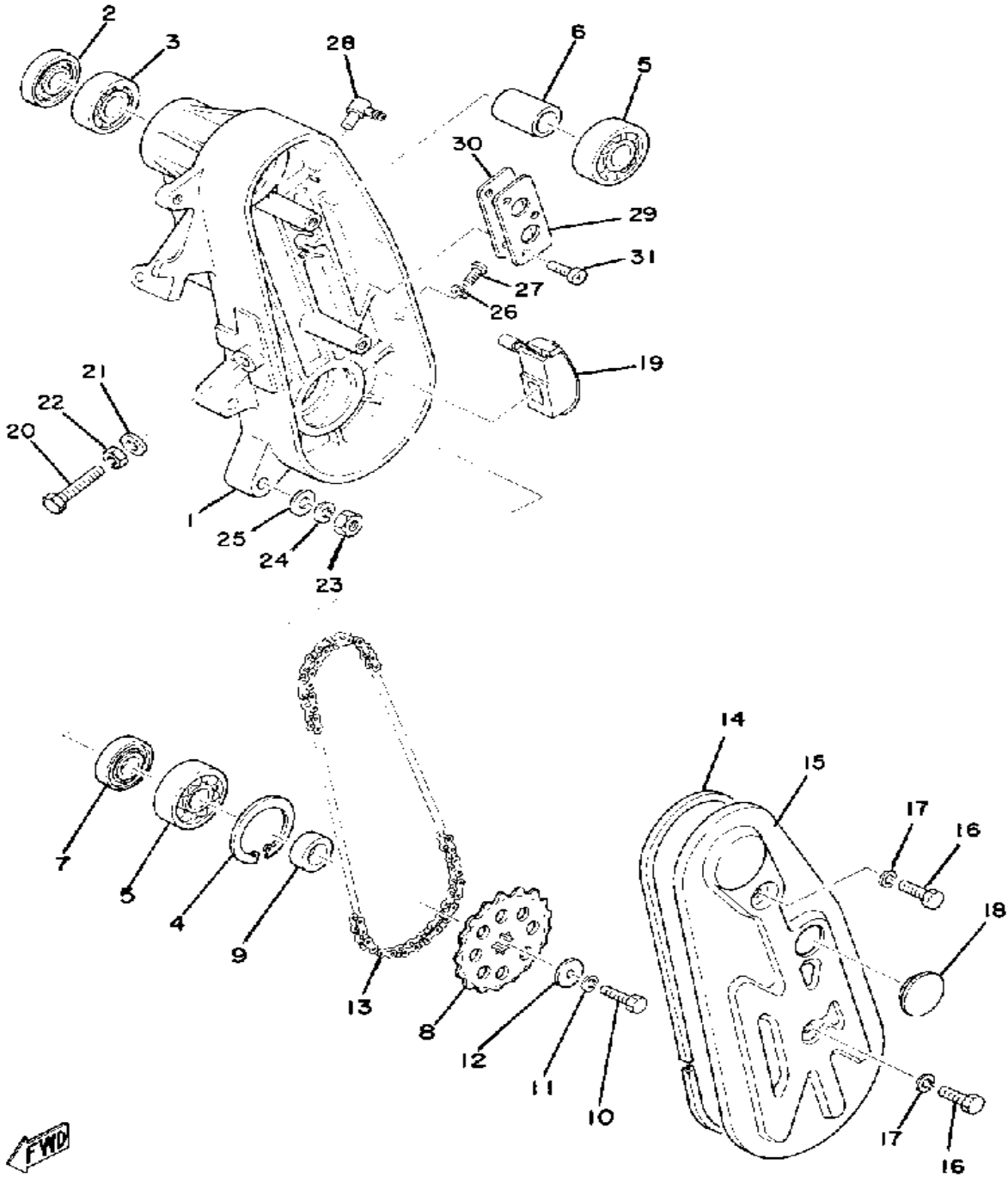
SECONDARY SHEAVE



Ref. No.	Part Number	Description	Qty	Remarks
1	8F3-17660-00-00	SEC FXD SHVSHEAVE COMP.	1	
2	8F3-25711-00-00	. DISC, BRAKE	1	
3	90263-05023-00	. RIVET, FLAT HEAD	12	
4	8F3-17670-00-00	SEC SLIDING SHEAVESHEAVE	1	
5	8F3-17681-00-00	SHAFT, SECONDARY	1	
6	90254-08001-00	PIN, SPRING TYPE	1	
7	90508-40080-00	SPRING, TORSION	1	
8	810-17684-01-00	SEAT, SEC SPRINGSRING ..	1	
9	801-17688-10-00	SHOE, RAMP	3	
10	90387-19579-00	COLLAR	1	
11	812-17682-20-00	SPROCKET, CHAIN DRIVE (12T)	1	U.R.STD
	812-17682-30-00	SPROCKET, CHAIN DRIVE (13T)	1	U.R.STD
	812-17682-40-00	SPROCKET, CHAIN DRIVE (14T)	1	U.R.STD
12	90201-12472-00	WASHER, PLATE	1	
13	95301-12900-00	NUT, SLOTTED	1	
14	91401-30030-00	PIN, COTTER	1	

Property of www.SmallEngineDiscount.com - Not for Resale

TRACK DRIVE

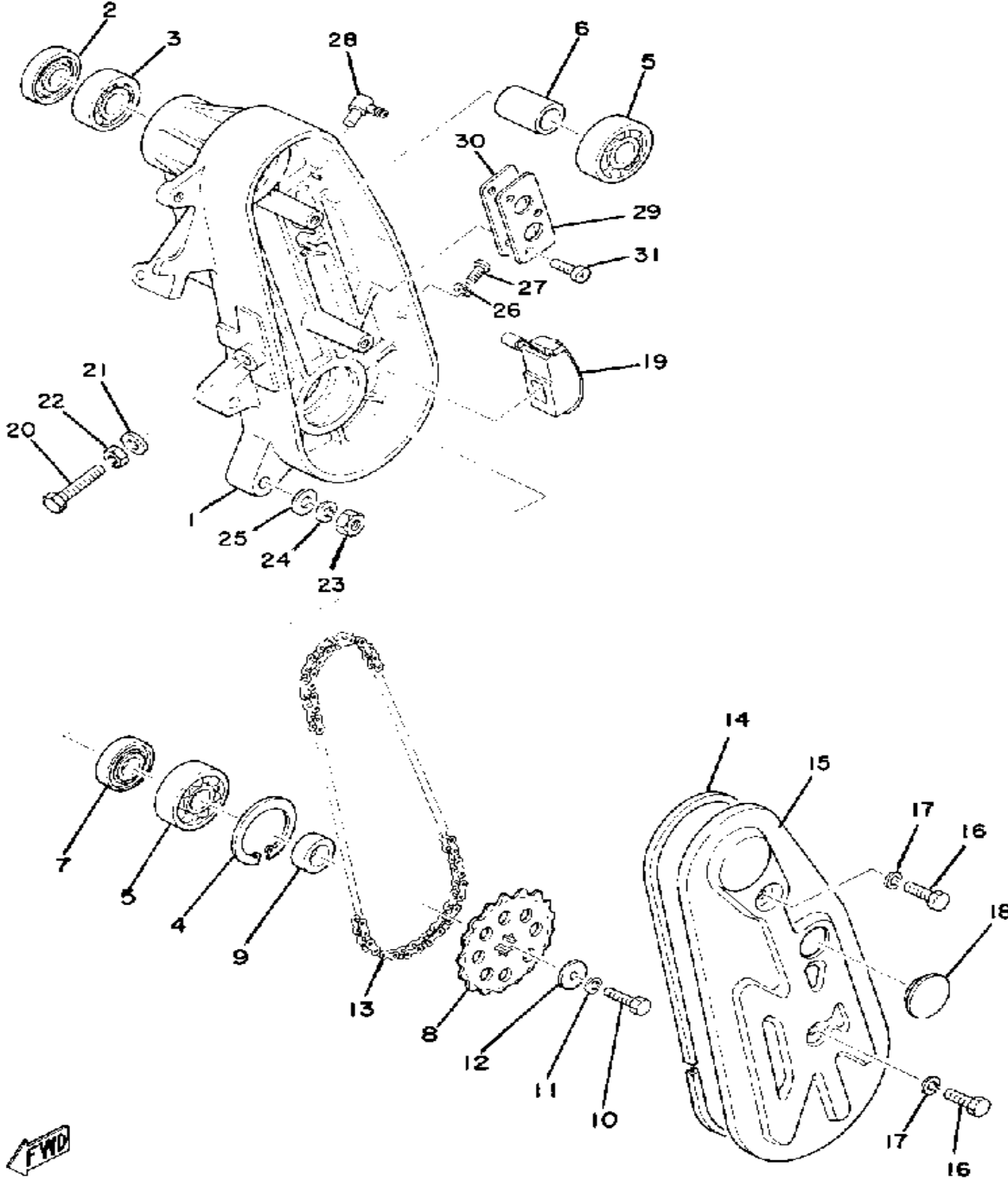


Ref. No.	Part Number	Description	Qty	Remarks
1	8F3-47541-00-00	HOUSING, CHAIN	1	
2	90430-06016-00	GASKET	1	
	93102-20447-00	OIL SEAL	1	
3	93306-20458-00	BEARING	1	
4	99009-52500-00	CIRCLIP	1	
5	93306-30407-00	BEARING (B6304C3)	2	
6	90387-20580-00	COLLAR	1	
7	93102-30083-00	SEAL, OIL	1	
8	8F3-47548-10-00	SPROCKET, CHAIN DRIVEN (21T)	1	U.R.STD
	8F3-47548-20-00	SPROCKET, CHAIN DRIVEN (22T)	1	U.R.STD
9	90387-20155-00	COLLAR	1	
10	97013-08025-00	BOLT	1	
11	92990-08100-00	WASHER	1	
12	90201-08107-00	WASHER, PLATE	1	
13	94580-01060-00	CHAIN (DID40K 60L)	1	
14	8F3-47558-00-00	RING, HOUSING (97302-08020)	1	
15	8F3-47543-00-00	CAP, HOUSING	1	
16	97313-08020-00	BOLT, HEXAGON	2	
17	90210-08002-00	WASHER, SEAL	2	
18	148-22315-00-00	CAP	1	
19	8F3-47611-02-00	TENSIONER	1	
20	90101-10357-00	BOLT	1	
21	90210-10004-00	WASHER, SEAL	1	
22	95303-10700-00	NUT	1	
23	95333-08600-00	NUT	4	
24	92990-08100-00	WASHER	4	
25	92990-08200-00	WASHER, PLAIN	4	

CONTINUED ON NEXT FRAME ➤

Property of www.SmallEngineDiscount.com - Not for Resale

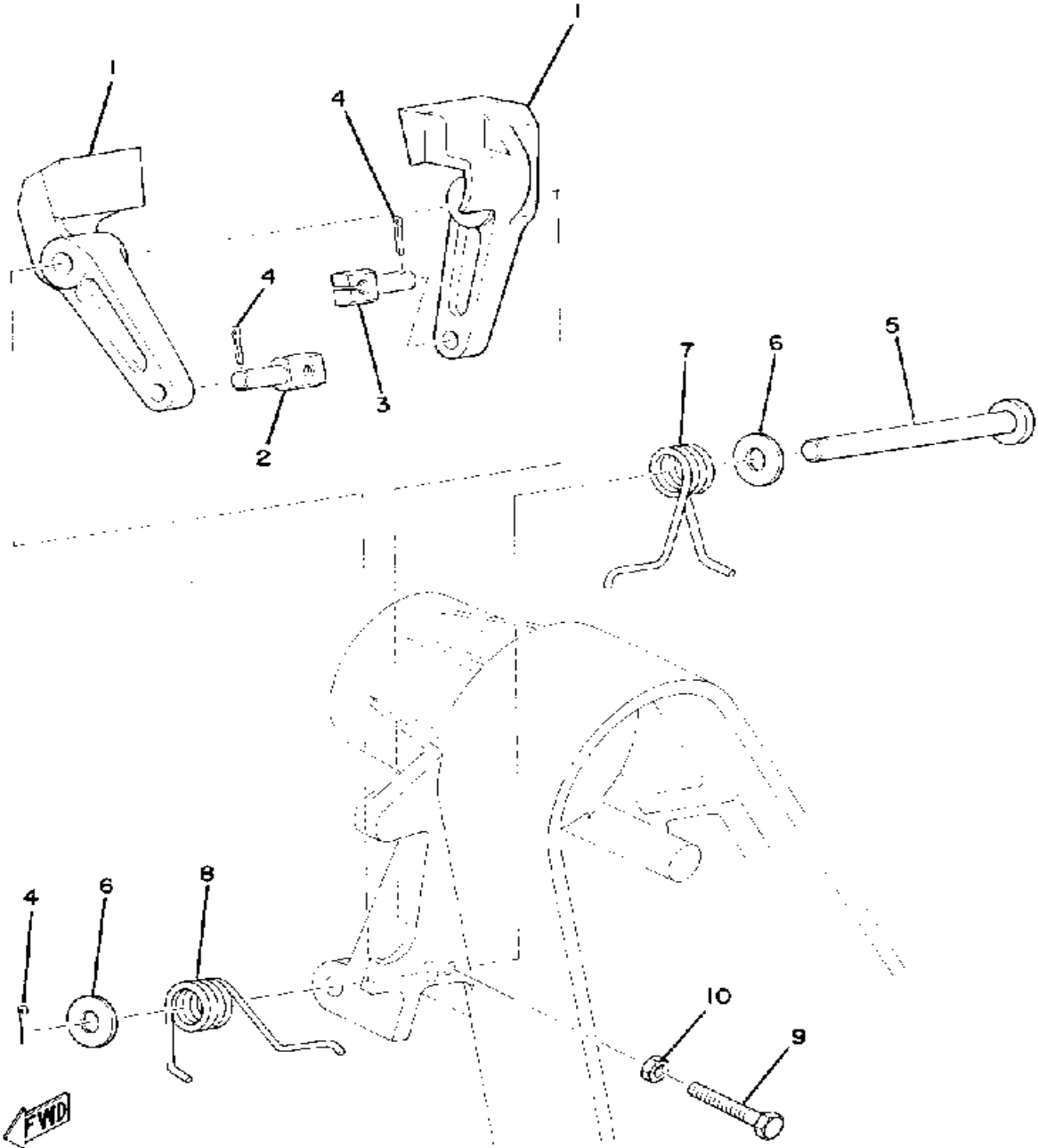
TRACK DRIVE



Ref. No.	Part Number	Description	Qty	Remarks
27	98580-06010-00	SCREW, PAN HEAD (92503-06010)	1	
28	583-15371-00-00	BREATHER	1	
29	(8F3-47591-00-00)	PLATE	1	
30	85T-47592-00-00	GASKET	1	
31	98701-05016-00	SCREW, FLAT HEAD	3	

Property of www.SmallEngineDiscount.com - Not for Resale

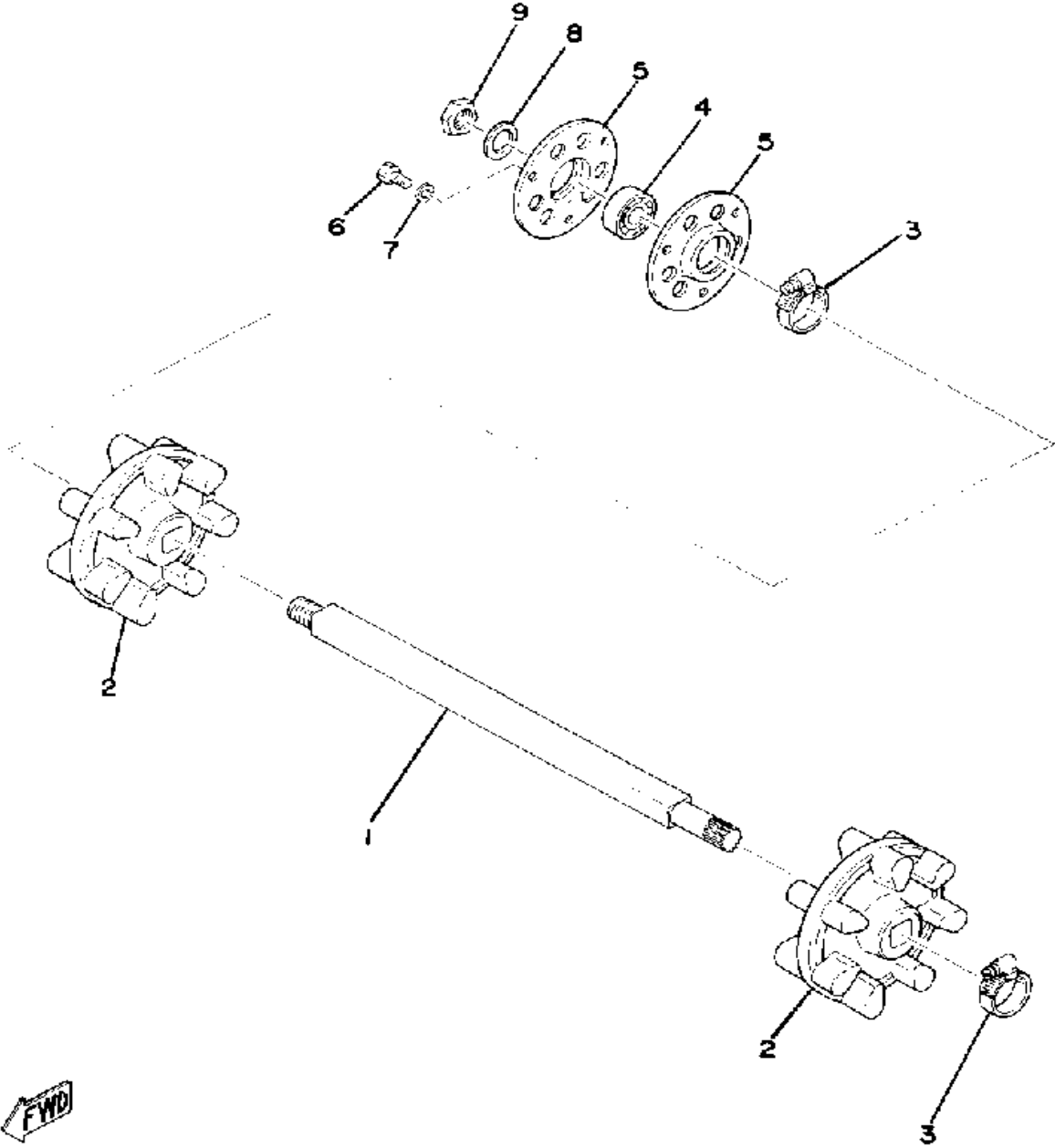
BRAKE



Ref. No.	Part Number	Description	Qty	Remarks
1	8F3-25730-00-00	CALIPER BODY 1COMP 1	2	
2	90249-06012-00	PIN	1	
3	90249-06009-00	PIN	1	
4	91490-20020-00	PIN, COTTER	3	
5	90240-08023-00	PIN, CLEVIS	1	
6	92901-08600-00	WASHER	2	
7	90508-26335-00	SPRING, TORSION	1	
8	90508-26336-00	SPRING, TORSION	1	
9	90101-05355-00	BOLT	1	
10	95311-05700-00	NUT	1	

Property of www.SmallEngineDiscount.com - Not for Resale

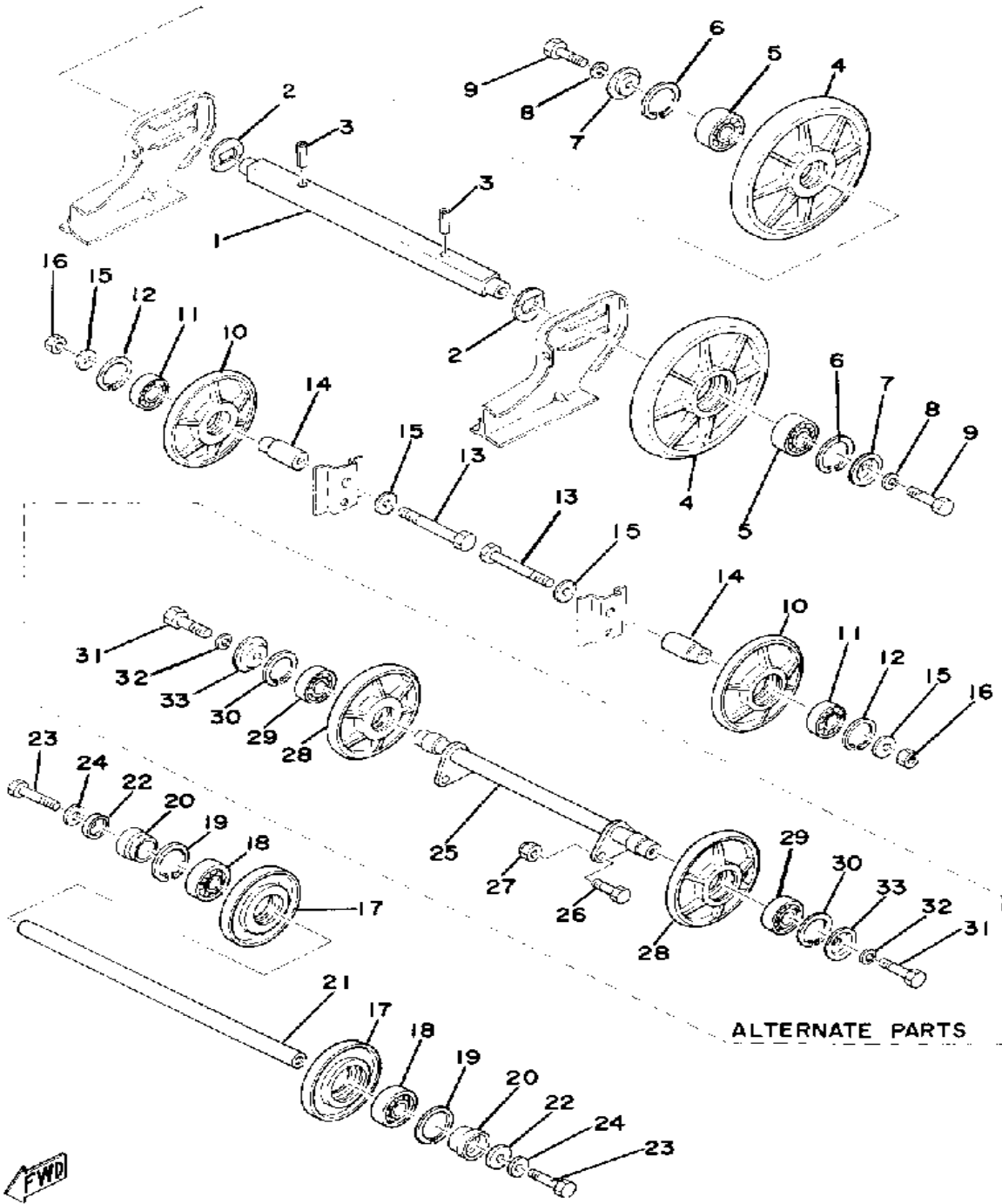
FRONT AXLE



Ref. No.	Part Number	Description	Qty	Remarks
1	8F3-W4751-00-00	AXLE, FRONT	1	
2	8F3-47531-00-00	WHEEL, SPROCKET 1	2	
3	90460-50079-00	CLAMP, HOSE	2	
4	93306-00441-00	BEARING (89A) (B6004RS) ...	1	
5	8F3-47551-00-00	HOUSING, FRONT AXLE	2	
6	97011-08016-00	BOLT	3	
7	92990-08100-00	WASHER	3	
8	90208-20008-00	WASHER, CONICAL SPRING ..	1	
9	90170-20211-00	NUT	1	

Property of www.SmallEngineDiscount.com - Not for Resale

REAR AXLE - WHEEL

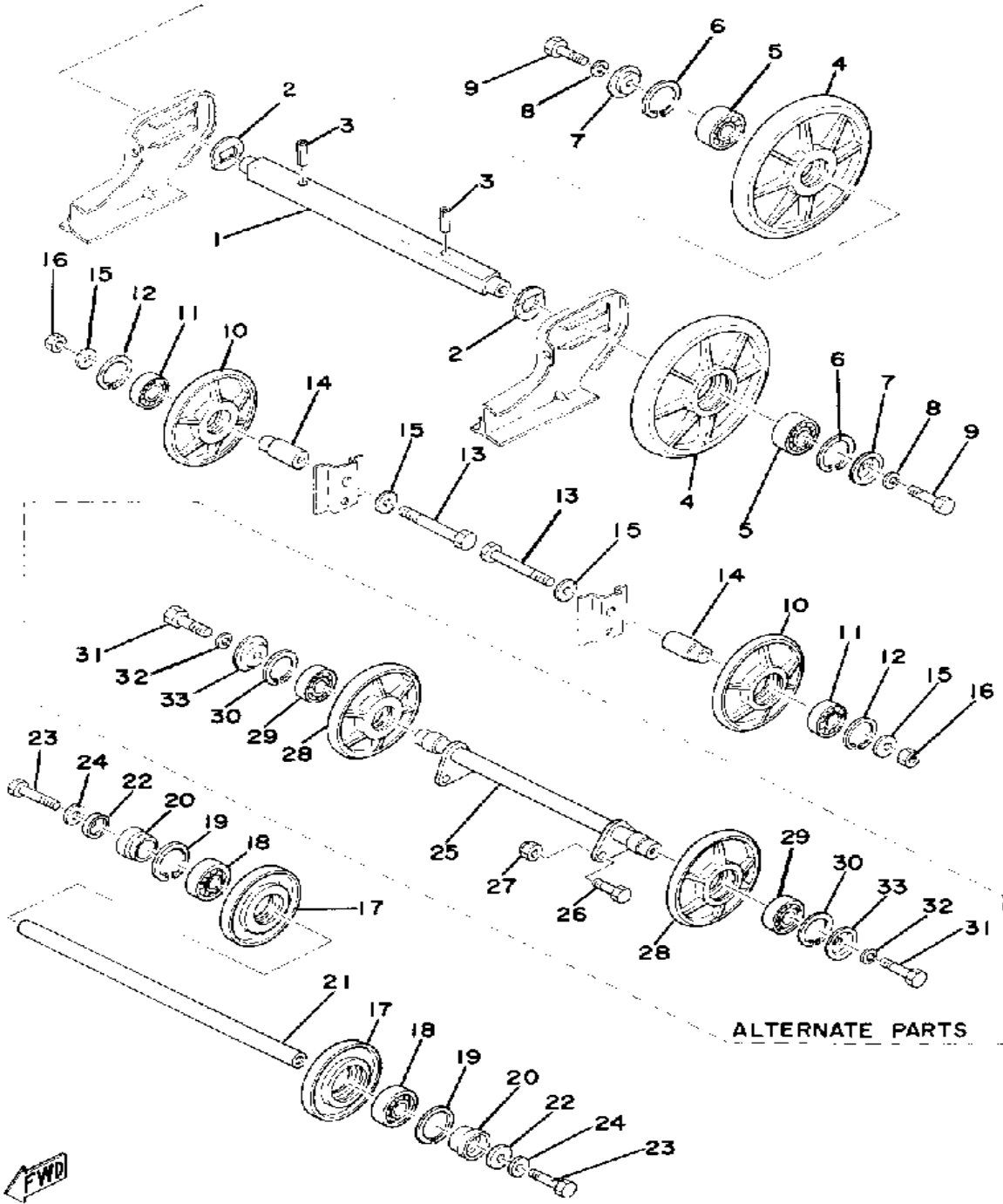


Ref. No.	Part Number	Description	Qty	Remarks
1	8F3-47521-00-00	AXLE, REAR	1	
2	90209-23152-00	WASHER, SPEC'L SHAP	2	
3	91609-40040-00	PIN, SPRING	2	
4	8L4-47530-00-00	GUIDE WHEEL COMP.	2	
5	93306-20417-00	BEARING (B62042RS)	2	
6	99009-47500-00	CIRCLIP	2	
7	90209-08124-00	WASHER, SPEC'L SHAP	2	
8	92990-08100-00	WASHER	2	
9	97013-08025-00	BOLT	2	
10	885-47320-01-00	SUSPENSION WHEEL COMP. .	2	
11	93306-00441-00	BEARING (89A) (B6004RS) ...	2	
12	99009-42500-00	CIRCLIP	2	
13	90101-12356-00	BOLT	2	
14	90387-12584-00	COLLAR	2	
15	92990-12200-00	WASHER, PLAIN	4	
16	90185-12067-00	NUT, SELF-LOCKING	2	
17	(8F3-47311-00-00)	WHEEL, SUSPENSION 1	2	
18	93306-00507-00	BEARING (B6005)	2	
19	99009-47500-00	CIRCLIP	2	
20	(90387-29599-00)	COLLAR	2	
21	8A5-47465-02-00	SHAFT 1	1	
22	885-47341-00-00	SPACER	2	
23	97013-10030-00	BOLT (8J7) (97303-10030)	2	
24	90208-10012-00	WASHER, CONICAL SPRING ..	2	
25	(8F3-47451-10-00)	BAR, SUSPENSION	1	
26	97313-08020-00	BOLT, HEXAGON	4	
27	95712-08300-00	NUT, LOCK	4	
28	885-47320-01-00	SUSPENSION WHEEL COMP. .	2	
29	93306-00441-00	BEARING (89A) (B6004RS) ...	2	

CONTINUED ON NEXT FRAME ➤

Property of www.SmallEngineDiscount.com - Not for Resale

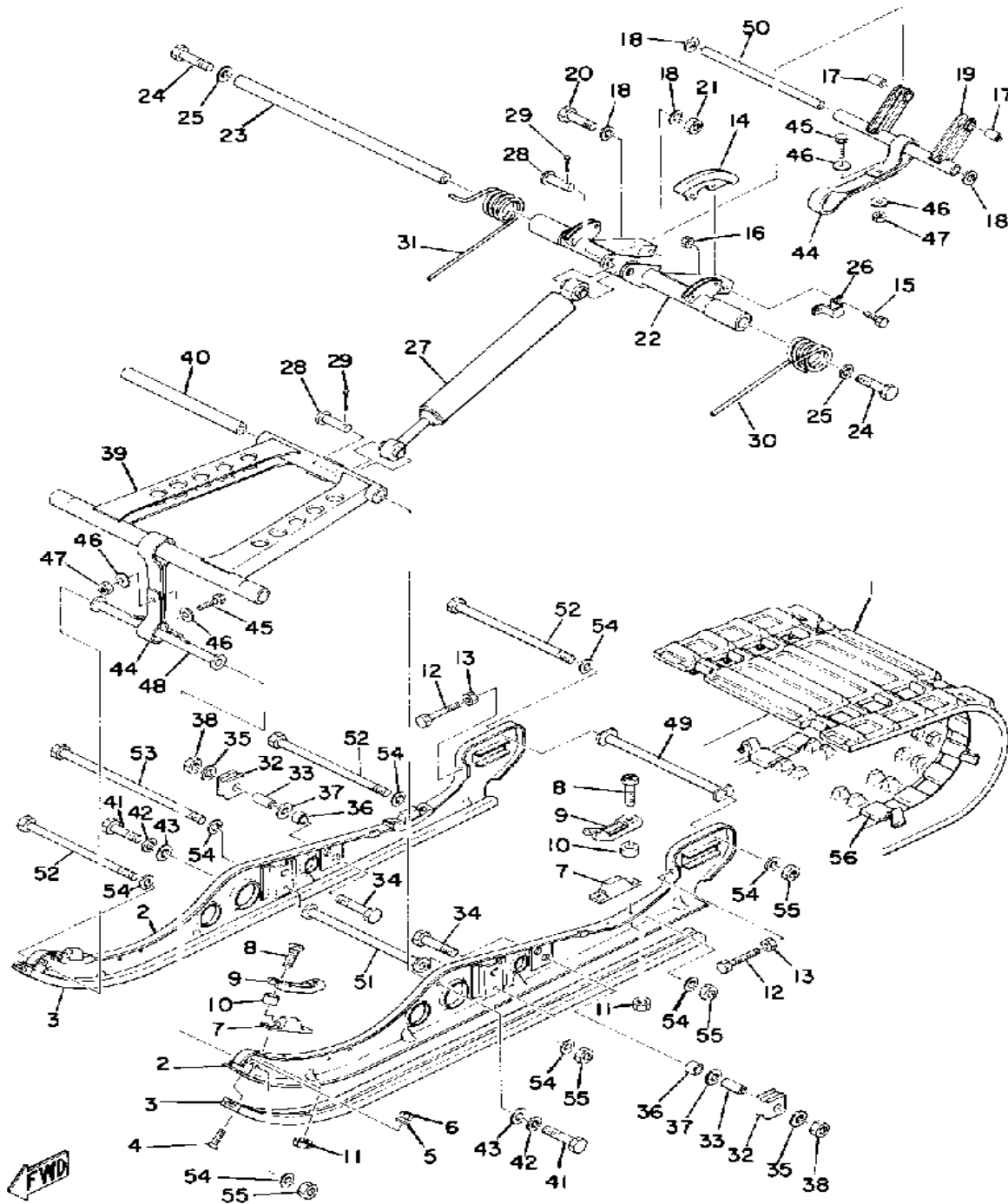
REAR AXLE - WHEEL



Ref. No.	Part Number	Description	Qty	Remarks
30	99009-42500-00	CIRCLIP	2	
31	97011-06020-00	BOLT	2	
32	92995-06100-00	WASHER, SPRING	2	
33	90209-06137-00	WASHER, SPEC'L SHAP	2	

Property of www.SmallEngineDiscount.com - Not for Resale

TRACK - SUSPENSION

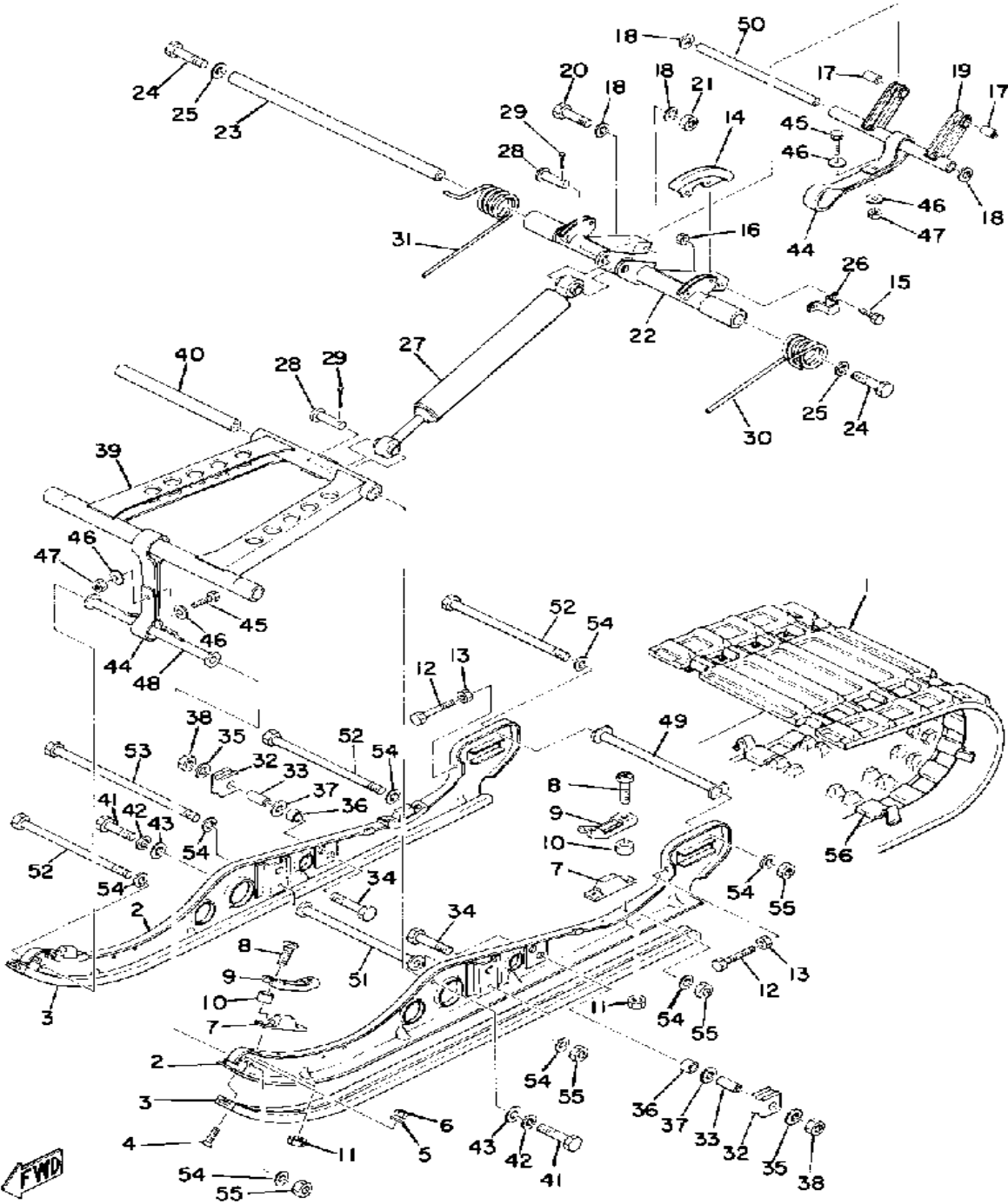


Ref. No.	Part Number	Description	Qty	Remarks
1	(8F3-47110-01-00)	TRACK ASSEMBLY	1	
2	8G5-47411-00-00	FRAME, SLIDING 1	2	
3	8N4-47421-00-XX	RUNNER, SLIDING 1 (8F3-47421-10)	2	
4	98780-06025-00	SCREW, FLAT HEAD	2	
5	92901-06600-00	WASHER	2	
6	95701-06300-00	NUT, NYLON	2	
7	8F3-47456-00-00	DAMPER 1	4	
8	98580-05016-00	SCREW, PAN HEAD	8	
9	8F3-47458-00-00	PLATE, DAMPER	4	
10	90387-06022-00	COLLAR	8	
11	95380-05600-00	NUT	8	
12	90101-10293-00	BOLT	2	
13	95303-10700-00	NUT	2	
14	8F3-47422-01-00	RUNNER, SLIDING 2	2	
15	97011-06025-00	BOLT (97001-06025)	4	
16	95701-06300-00	NUT, NYLON	4	
17	90387-08508-00	COLLAR	2	
18	90201-08649-00	WASHER, PLATE	6	
19	(8F3-47417-00-00)	BRACKET 3	1	
20	97313-08045-00	BOLT	2	
21	95712-08300-00	NUT, LOCK	2	
22	8F3-47332-01-00	ARM, PIVOT 2	1	
23	8A5-47465-02-00	SHAFT 1	1	
24	97013-10030-00	BOLT (8J7) (97303-10030)	2	
25	90208-10012-00	WASHER, CONICAL SPRING ..	2	
26	(8F3-47349-01-00)	BRACKET, ARM PIVOT	2	
27	8F3-47480-00-00	SHOCK ABSORBER	1	
28	90240-12115-00	PIN, CLEVIS	2	

CONTINUED ON NEXT FRAME ►

Property of www.SmallEngineDiscount.com - Not for Resale

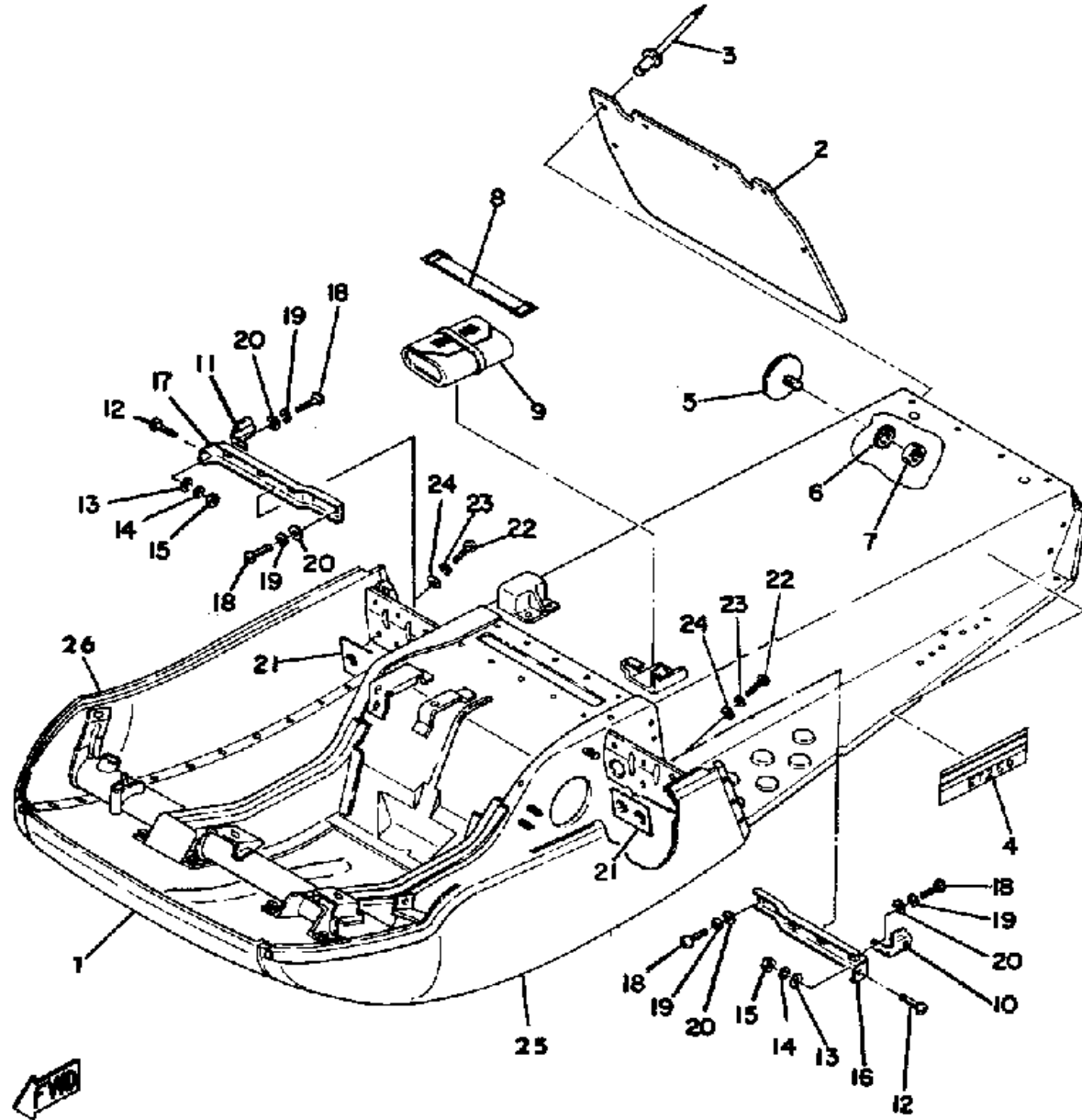
TRACK - SUSPENSION



Ref. No.	Part Number	Description	Qty	Remarks
29	91401-30030-00	PIN, COTTER	2	
30	90508-10337-00	SPRING, TORSION	1	
31	90508-10338-00	SPRING, TORSION	1	
32	890-47447-00-00	HOOK 2	2	
33	90387-08262-00	COLLAR	2	
34	97321-08055-00	BOLT, HEXAGON	2	
35	90201-08107-00	WASHER, PLATE	2	
36	90387-12105-00	COLLAR	2	
37	90201-122A7-00	WASHER, PLATE	2	
38	95712-08300-00	NUT, LOCK	2	
39	(8F3-47331-01-00)	ARM, PIVOT 1	1	
40	(8F3-47485-00-00)	SHAFT 3	1	
41	97013-10030-00	BOLT (8J7) (97303-10030)	2	
42	92990-10100-00	WASHER, SPRING	2	
43	92990-10600-00	WASHER, PLATE	2	
44	8F3-47495-00-00	STOPPER 1	2	
45	97011-06025-00	BOLT (97001-06025)	1	
46	90201-06407-00	WASHER, PLATE (90201-06747-00)	4	
47	95701-06300-00	NUT, NYLON	2	
48	8F3-47415-00-00	BRACKET 1	1	
49	90387-08581-00	COLLAR	1	
50	90387-08581-00	COLLAR	1	
51	90387-08583-00	COLLAR	1	
52	97022-08250-00	BOLT	3	
53	97022-08260-00	BOLT, HEXAGON	1	
54	92901-08600-00	WASHER	8	
55	95712-08300-00	NUT, LOCK	4	
56	8A5-47115-00-00	METAL, SLIDE	1	S6-021

Property of www.SmallEngineDiscount.com - Not for Resale

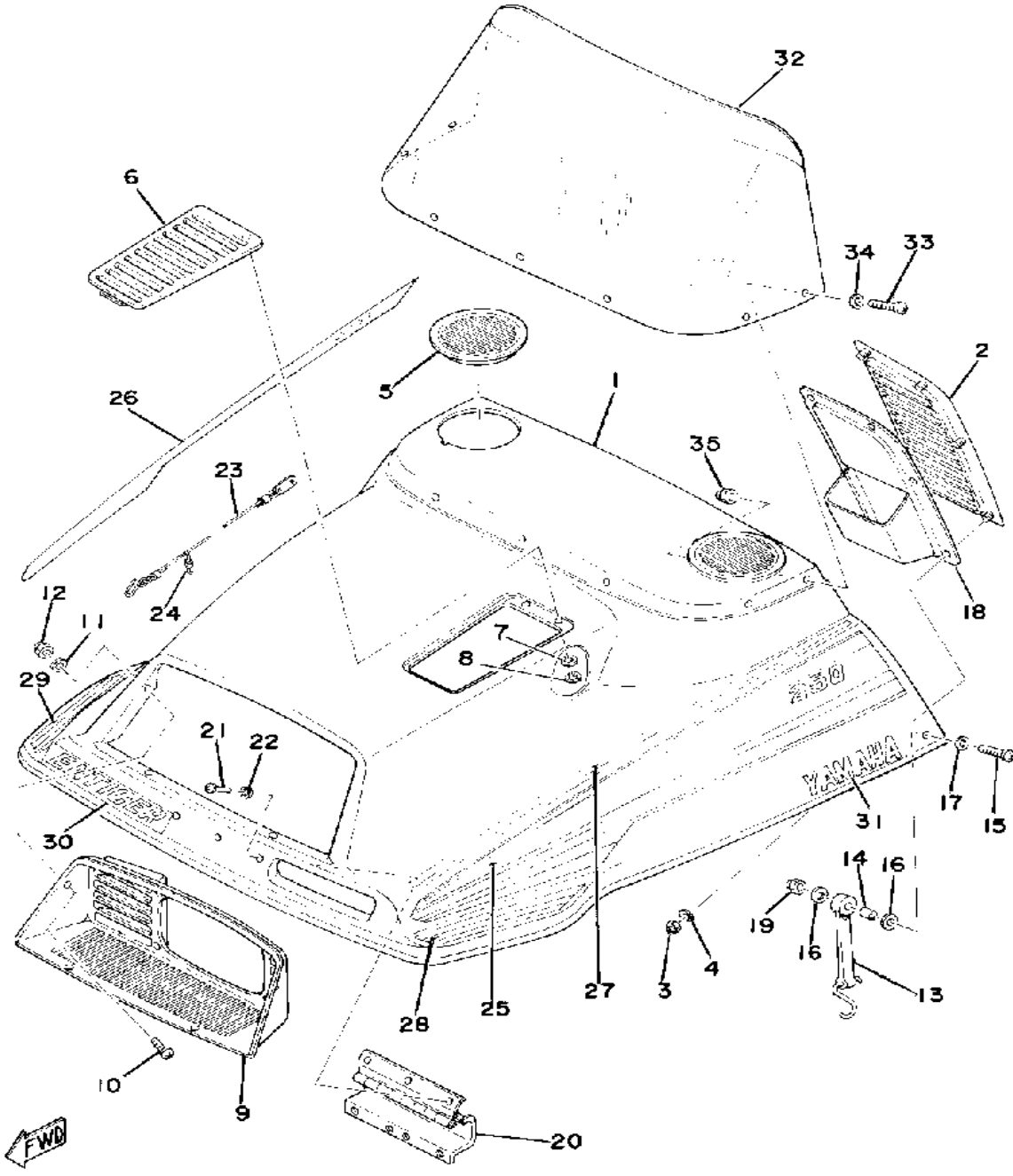
FRAME



Ref. No.	Part Number	Description	Qty	Remarks
1	(8F3-21910-00-00)	FRAME	1	
2	8F2-77595-00-00	FLAP	1	
3	90267-48086-00	RIVET, BLIND	5	
4	(8F3-77354-00-00)	EMBLEM 4	2	
5	449-85131-02-00	REFLECTOR, REAR 1	2	
6	92990-05400-00	WASHER, EX.TOOTH	2	
7	95701-05300-00	NUT, NYLON	2	
8	122-82131-00-00	BAND, BATTERY	1	
9	8F3-28100-00-00	TOOL KIT	1	
10	(8F3-23883-00-00)	BRACKET 3	1	
11	(8F3-23884-00-00)	BRACKET 4	1	
12	98980-06025-00	SCREW, BIND	2	
13	90201-06M08-00	WASHER, PLATE	2	
14	92995-06100-00	WASHER, SPRING	2	
15	95380-06600-00	NUT	2	
16	(8F3-23898-00-00)	BRACKET 3	1	
17	(8F3-23899-00-00)	BRACKET 4	1	
18	97013-06012-00	BOLT	4	
19	92995-06100-00	WASHER, SPRING	4	
20	92901-06600-00	WASHER	4	
21	8F3-23892-00-00	SHIELD, HEAT	2	
22	98580-06012-00	SCREW, PAN HEAD	4	
23	92995-06100-00	WASHER, SPRING	4	
24	92901-06600-00	WASHER	4	
25	8F3-21982-00-00	HOOD 1	1	
26	8F3-21983-00-00	HOOD 2	1	

Property of www.SmallEngineDiscount.com - Not for Resale

SHROUD

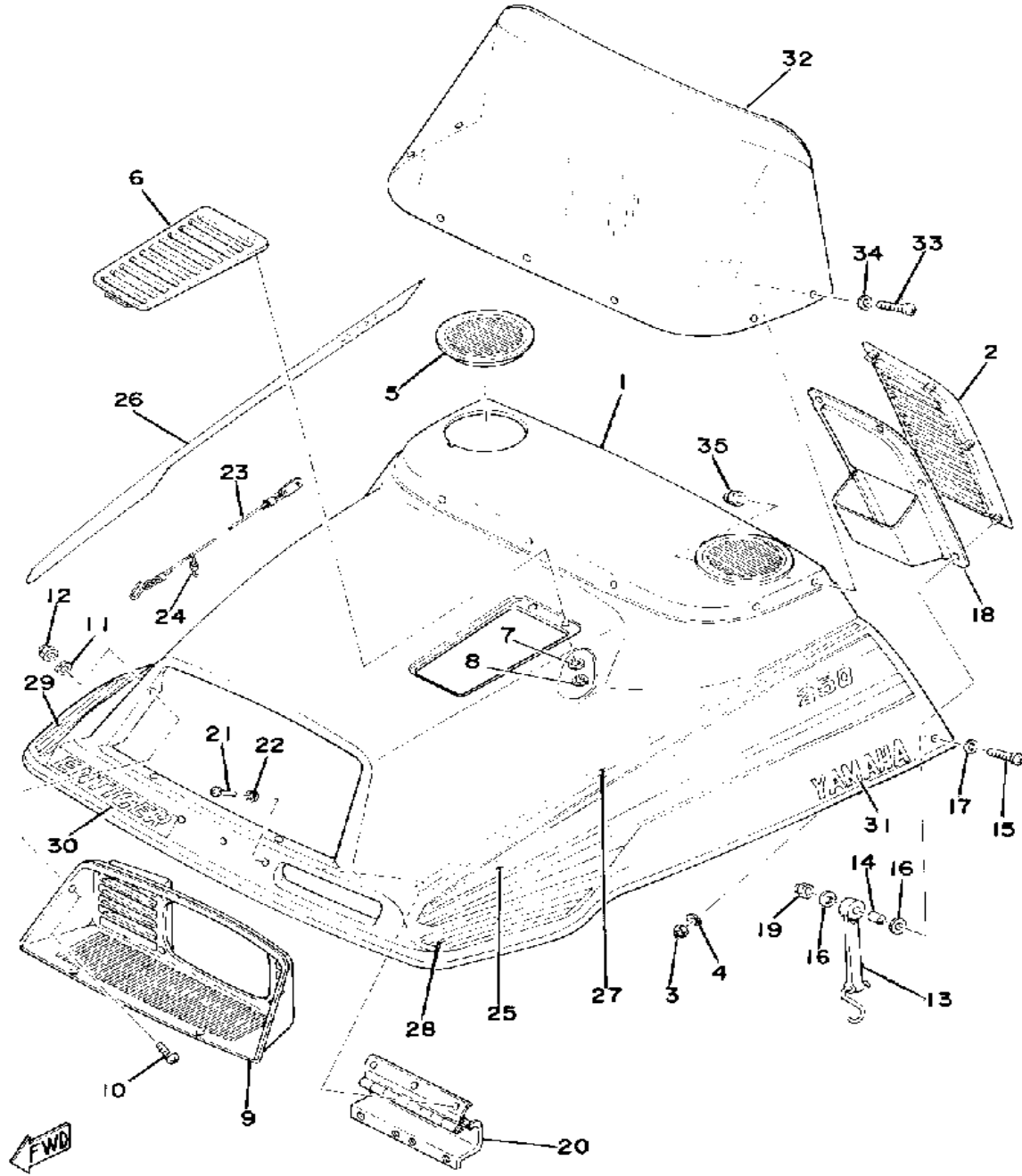


Ref. No.	Part Number	Description	Qty	Remarks
1	8F3-W7711-00-00	SHROUD ASSEMBLY	1	
2	8F3-77131-00-00	LOUVER 1	1	
3	95701-05300-00	NUT, NYLON	5	
4	92990-05200-00	WASHER, PLAIN	5	
5	8F3-77133-00-00	LOUVER 3	2	
6	8F3-77134-01-00	LOUVER 4	1	
7	838-77143-00-00	EMBLEM 3	2	
8	90183-05003-00	NUT, SPRING	2	
9	8F3-84311-00-00	BODY, HEADLIGHT	1	
10	98906-05020-00	SCREW, BIND	4	
11	90201-05651-00	WASHER, PLATE	4	
12	95701-05300-00	NUT, NYLON	4	
13	(8F3-77170-00-00)	LATCH ASSEMBLY	2	
14	90560-07007-00	SPACER	2	
15	98980-06030-00	SCREW, BIND	2	
16	90201-06067-00	WASHER, PLATE	4	
17	92990-06600-00	WASHER, PLATE	2	
18	(8F3-77194-00-00)	DUCT	1	
19	95701-06300-00	NUT, NYLON	2	
20	8F3-77140-00-00	HINGE ASSEMBLY	1	
21	98903-06016-00	SCREW, BIND	3	
22	92990-06600-00	WASHER, PLATE	3	
23	8F3-77118-01-00	STOPPER, SHROUD	1	
24	838-77159-00-00	CLAMP, ROD	1	
25	(8F3-77163-00-00)	ORNAMENT 1	1	
26	(8F3-77164-00-00)	ORNAMENT 2	1	
27	(8F3-77169-00-00)	ORNAMENT 3	2	
28	(8F3-77113-00-00)	ORNAMENT 4	1	
29	(8F3-77114-00-00)	ORNAMENT 5	1	

CONTINUED ON NEXT FRAME ➤

Property of www.SmallEngineDiscount.com - Not for Resale

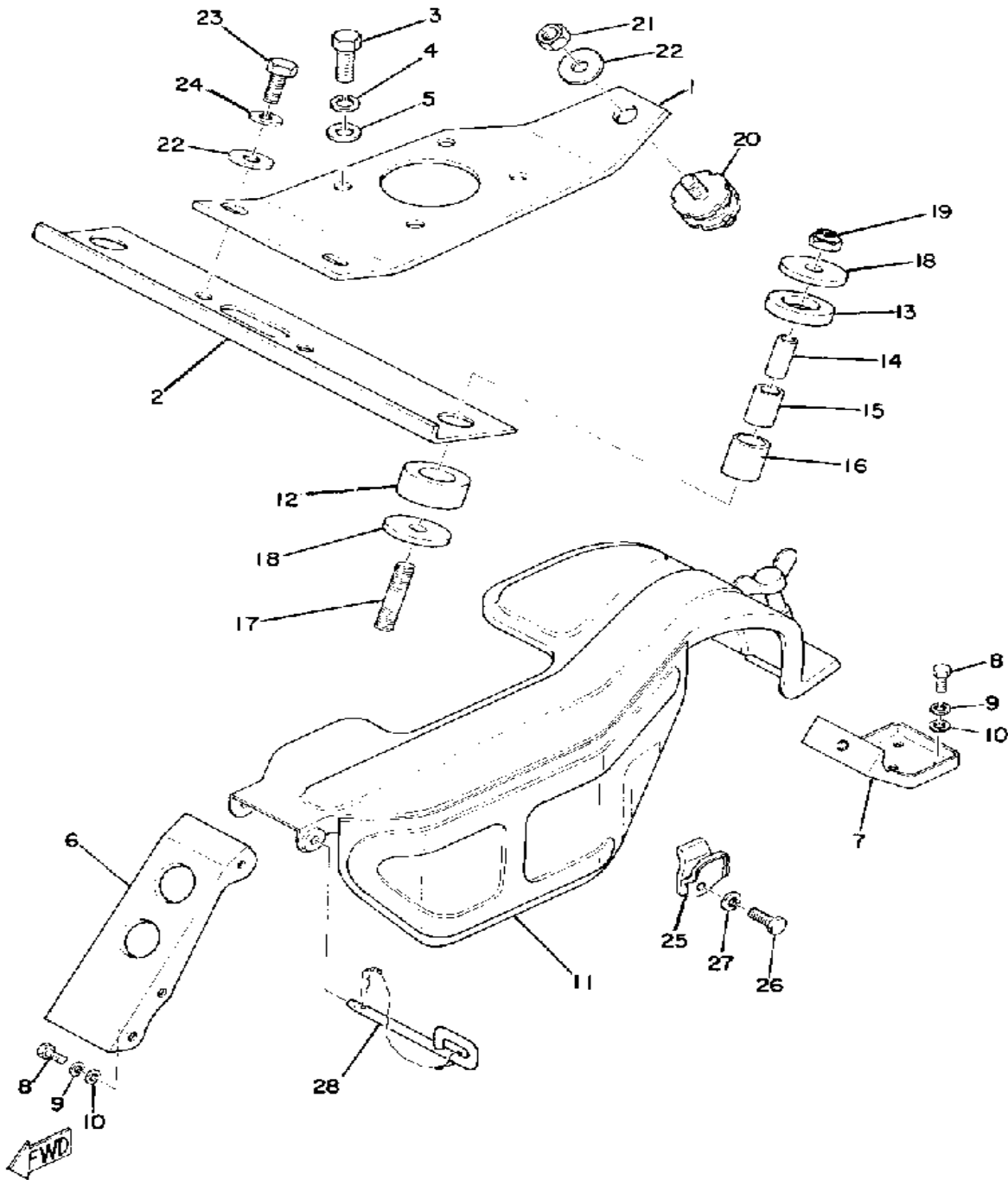
SHROUD



Ref. No.	Part Number	Description	Qty	Remarks
30	8F3-77356-00-00	EMBLEM 6	1	
31	(8A2-77357-00-00)	EMBLEM 7	2	
32	8N4-77210-00-00	WINDSHIELD	1	
33	90154-05059-00	SCREW, BINDING	7	
34	90201-05029-00	WASHER, PLATE	6	
35	95701-05300-00	NUT, NYLON	7	

Property of www.SmallEngineDiscount.com - Not for Resale

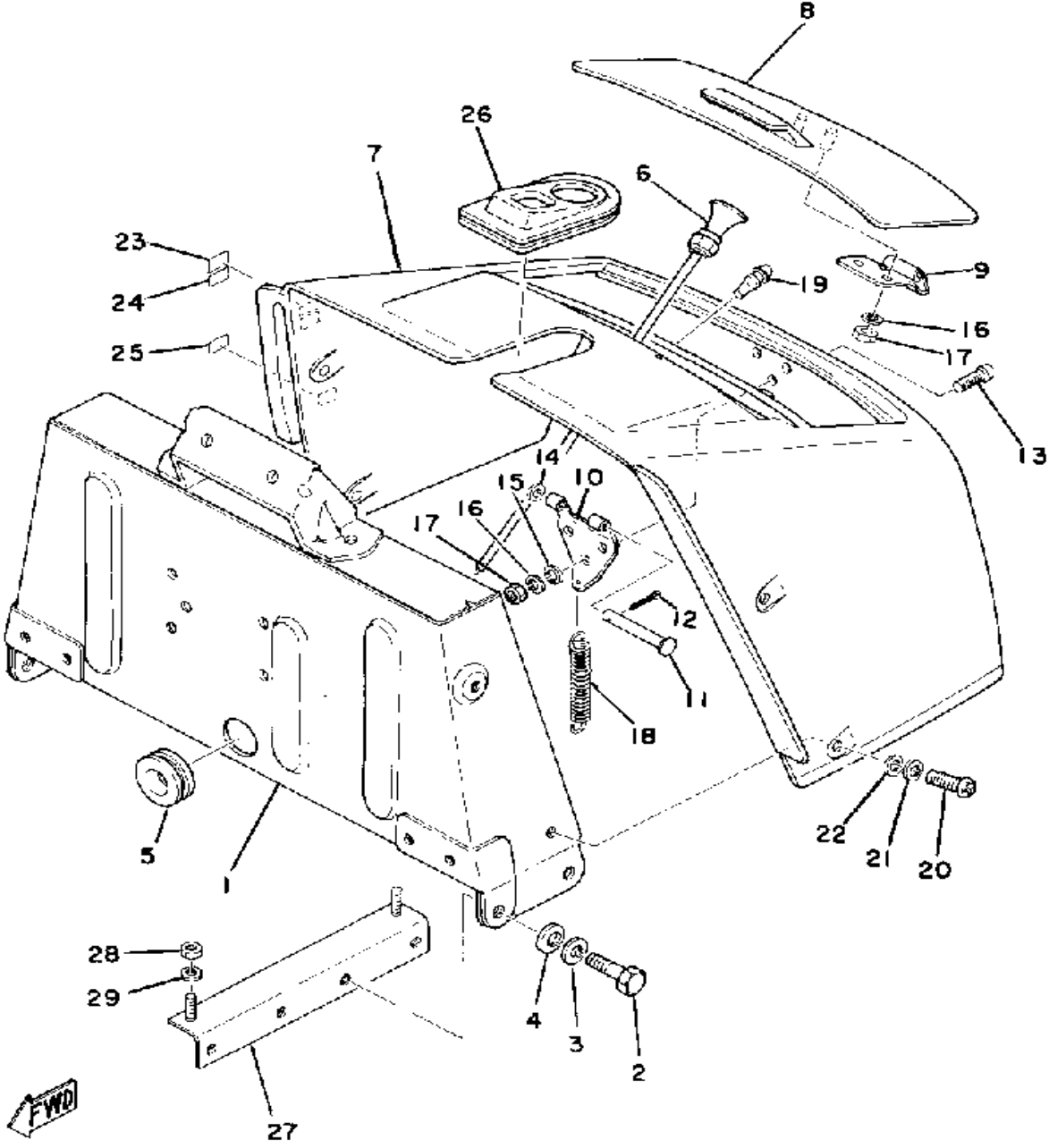
ENGINE BRACKET



Ref. No.	Part Number	Description	Qty	Remarks
1	8F3-21411-02-00	BRACKET, ENGINE 1	1	
2	(8F3-21419-00-00)	BRACKET, ENGINE 2	1	
3	90106-10034-00	BOLT, DOME HEAD	4	
4	92990-10100-00	WASHER, SPRING	4	
5	92990-10600-00	WASHER, PLATE	4	
6	(8F3-77315-00-00)	BRACKET 1	1	
7	(8F3-77316-01-00)	BRACKET 2	1	
8	97011-06010-00	BOLT	7	
9	92995-06100-00	WASHER, SPRING	7	
10	92901-06600-00	WASHER	7	
11	8F3-77311-01-00	GUARD, DRIVE	1	
12	8F3-21485-00-00	DAMPER, RUBBER 1	2	
13	8F3-21488-00-00	DAMPER	2	
14	90387-10610-00	COLLAR	2	
15	90385-15030-00	BUSH, SPEC'L RUBBER	2	
16	90387-21611-00	COLLAR	2	
17	95611-10355-00	BOLT, STUD	2	
18	90201-10151-00	WASHER, PLATE	4	
19	90185-10017-00	NUT, SELF-LOCKING	2	
20	8F3-21486-00-00	DAMPER 2	1	
21	95311-10600-00	NUT	1	
22	90201-10321-00	WASHER, PLATE	3	
23	97011-10025-00	BOLT	2	
24	92990-10100-00	WASHER, SPRING	2	
25	8F3-77323-00-00	PROTECTOR, DRIVE	1	
26	97313-08018-00	BOLT, HEXAGON (97301-08016)	1	
27	92990-08100-00	WASHER	1	
28	8F3-77327-00-00	SHAFT	1	

Property of www.SmallEngineDiscount.com - Not for Resale

STEERING GATE

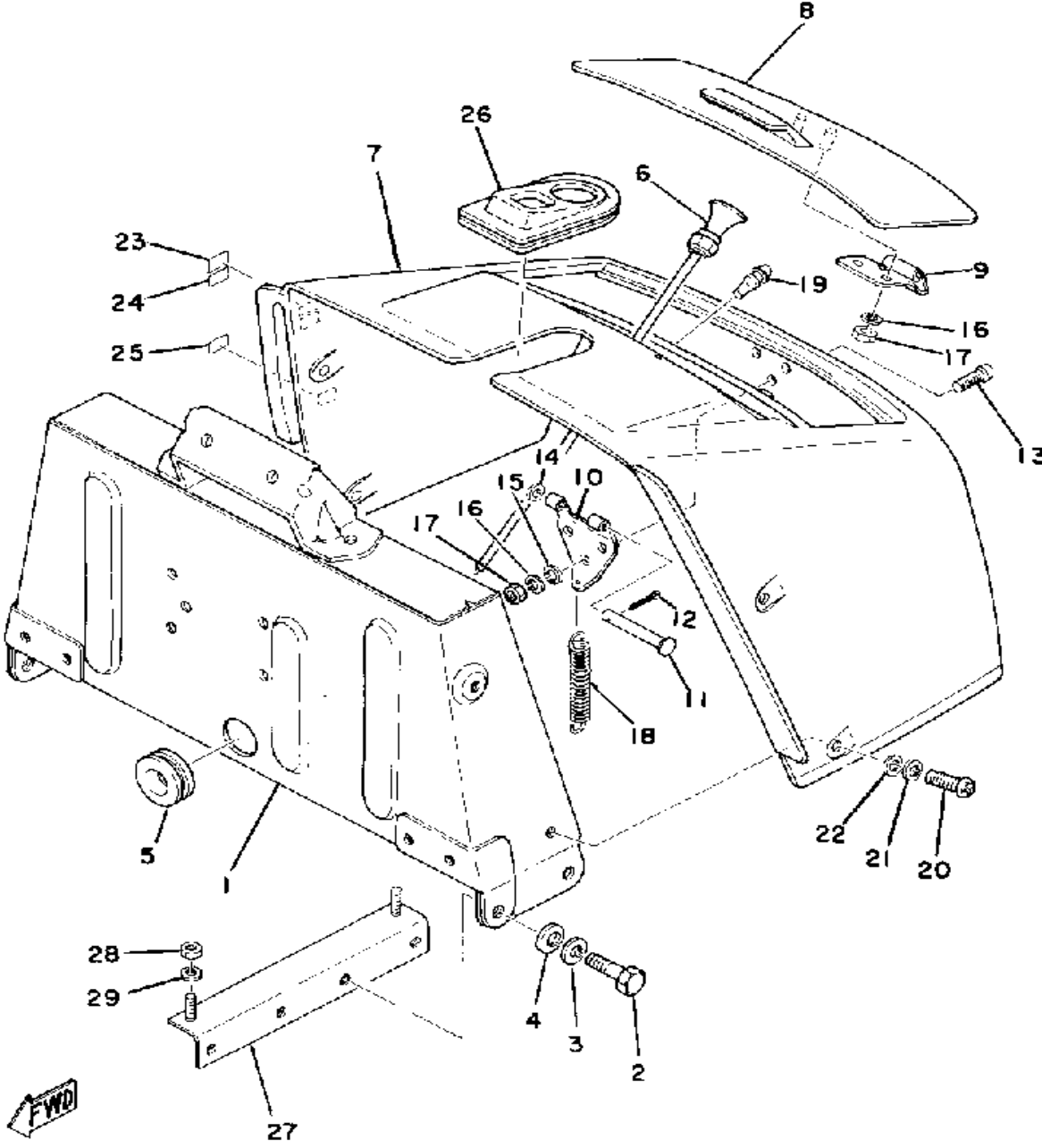


Ref. No.	Part Number	Description	Qty	Remarks
1	(8F3-23871-00-00)	GATE, STEERING	1	
2	97313-08018-00	BOLT, HEXAGON (97301-08016)	4	
3	92990-08100-00	WASHER	4	
4	92901-08600-00	WASHER	4	
5	90480-28191-00	GROMMET	1	
6	8F3-26331-01-00	CABLE, STARTER 1	1	
7	8G5-77711-00-00	PANEL, INSTRUMENT	1	
8	8F3-77712-00-00	PANEL, INSTRUMENT	1	
9	8F3-77726-01-00	HINGE 1	1	
10	8F3-77727-00-00	HINGE 2	1	
11	91701-05052-00	PIN, CLEVIS	1	
12	91490-16020-00	PIN, COTTER	1	
13	98580-05012-00	SCREW, PAN HEAD	3	
14	92990-05200-00	WASHER, PLAIN	3	
15	92990-05200-00	WASHER, PLAIN	3	
16	92990-05100-00	WASHER, SPRING	5	
17	95380-05600-00	NUT	5	
18	90506-10090-00	SPRING, TENSION	1	
19	(811-77461-00-00)	DAMPER 1	2	
20	98506-06014-00	SCREW, PAN HEAD (92506-06014)	4	
21	92906-06100-00	WASHER, SPRING	4	
22	90201-06057-00	WASHER, PLATE	4	
23	8A1-77743-00-00	INDICATOR 3	1	
24	878-77744-00-00	INDICATOR 4	1	
25	8A1-77744-00-00	INDICATOR 4	1	
26	8F3-77746-00-00	GROMMET	1	
27	(8F3-21948-00-00)	BRACKET, STRG GTE 1	2	
28	95380-06600-00	NUT	2	

CONTINUED ON NEXT FRAME ➤

Property of www.SmallEngineDiscount.com - Not for Resale

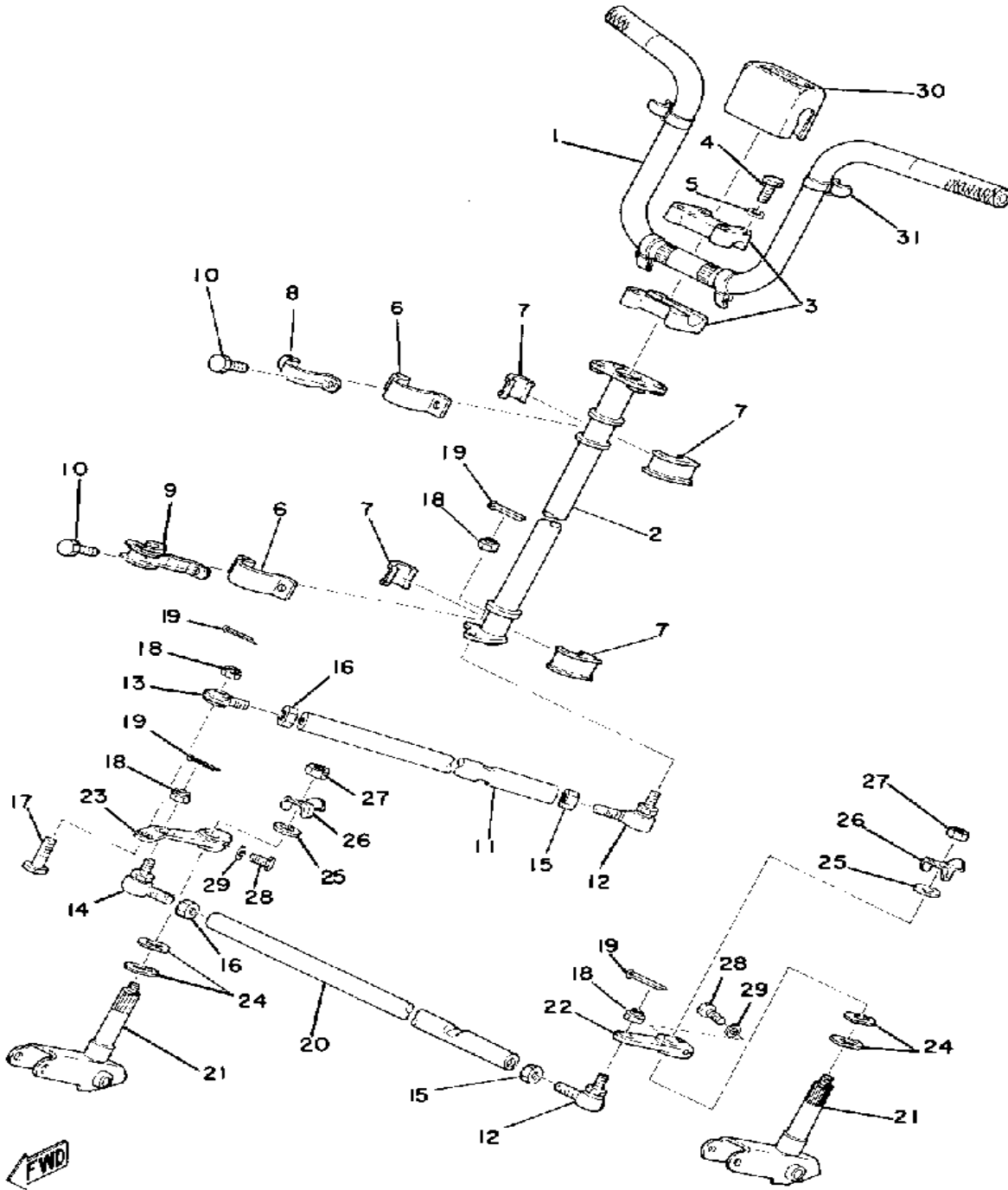
STEERING GATE



Ref. No.	Part Number	Description	Qty	Remarks
29	92995-06100-00	WASHER, SPRING	2	

Property of www.SmallEngineDiscount.com - Not for Resale

STEERING

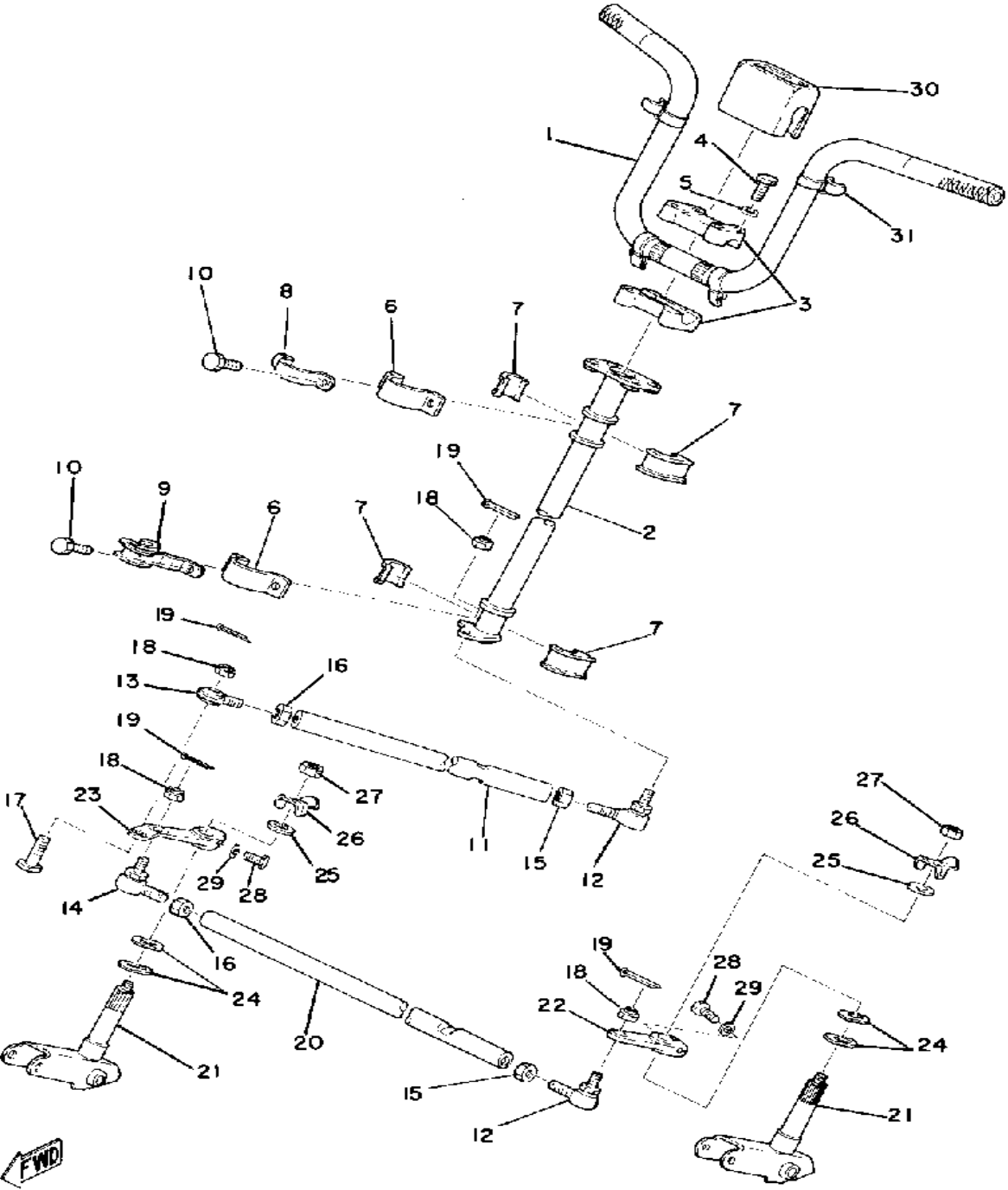


Ref. No.	Part Number	Description	Qty	Remarks
1	80F-23811-00-00	COLUMN, STEERING	1	
2	(8F3-23813-00-00)	COLUMN, STEERING 2	1	
3	164-23441-00-38	HOLDER HANDLE UPR	2	
4	97321-08055-00	BOLT, HEXAGON	4	
5	92906-08100-00	WASHER, SPRING	4	
6	(8F3-23868-00-00)	BRACKET, STRG LOWER	2	
7	8F3-23812-00-00	PLANE BEARING, STEERING	4	
8	(90215-07129-00)	WASHER, LOCK	1	
9	(90215-07134-00)	WASHER, LOCK	1	
10	97011-06016-00	BOLT	4	
11	8L0-23821-00-00	ROD, STEERING RELAY	1	
12	86X-23841-00-00	JOINT, UNIVERSAL 1	2	
13	87S-23847-00-00	JOINT, UNIVERSAL 3	1	
14	86X-23845-00-00	JOINT, UNIVERSAL 2	1	
15	95303-10700-00	NUT	2	
16	90170-10186-00	NUT	2	
17	90109-10482-00	BOLT	1	
18	95701-10300-00	NUT, FLANGE (95702-10300)	4	
19	91490-20020-00	PIN, COTTER	4	
20	8F3-23831-00-00	ROD, TIE	1	
21	8F3-23853-00-00	COLUMN, SKI 1	2	
22	8F3-23851-00-00	ARM, OUTSIDE 1	1	
23	8F3-23852-00-00	ARM, OUTSIDE 2	1	
24	90206-20037-00	WASHER, WAVE	4	
25	90201-100A1-00	WASHER, PLATE	2	
26	90215-10096-00	WASHER, LOCK	2	
27	95303-10600-00	NUT (95301-10600)	2	
28	97001-08025-00	BOLT (1NV)	2	
29	92990-08100-00	WASHER	2	

CONTINUED ON NEXT FRAME ➤

Property of www.SmallEngineDiscount.com - Not for Resale

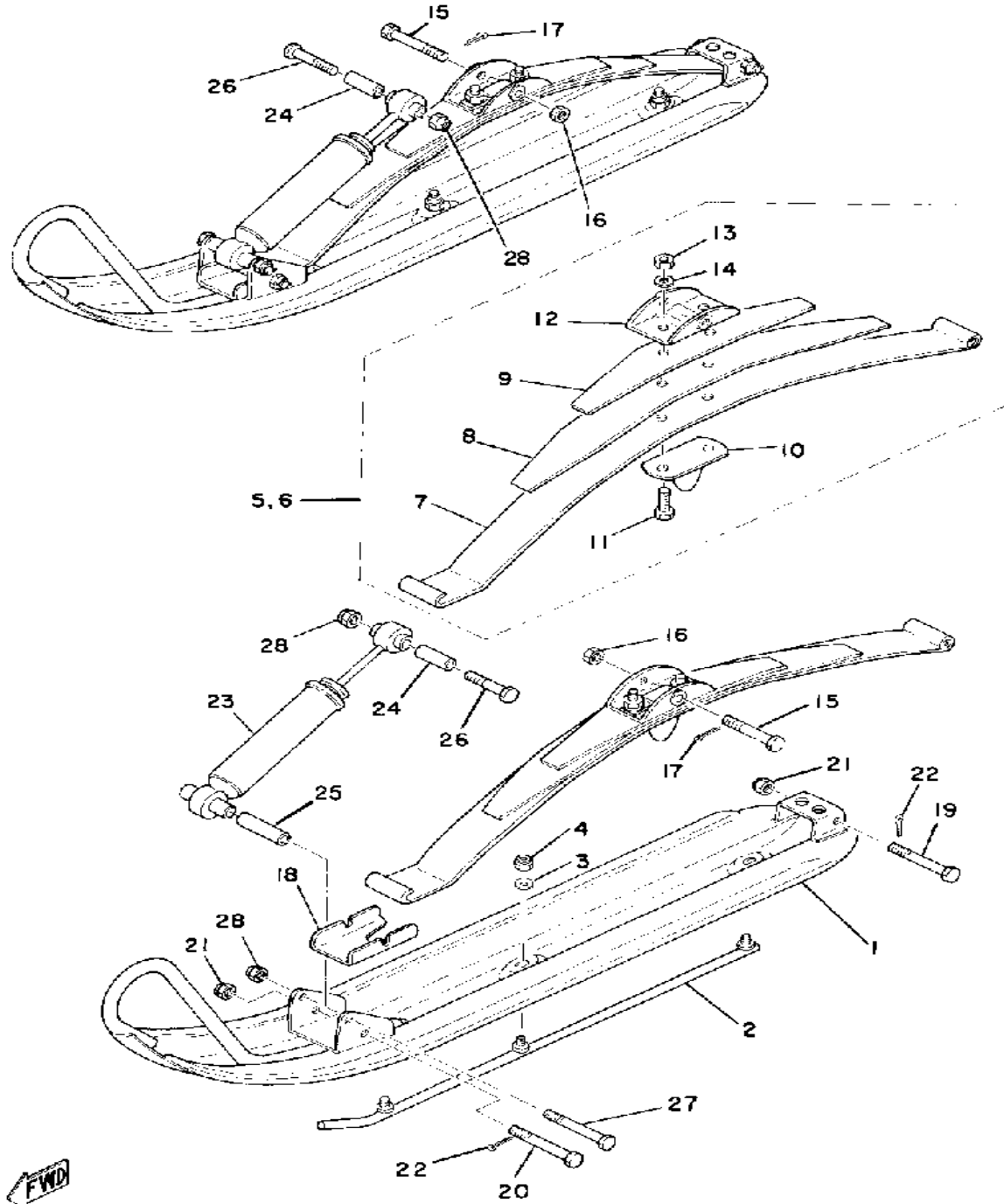
STEERING



Ref. No.	Part Number	Description	Qty	Remarks
30	8F3-23818-00-00	COVER, STEERING	1	
31	437-83936-01-00	BAND, SWITCH CORD	4	

Property of www.SmallEngineDiscount.com - Not for Resale

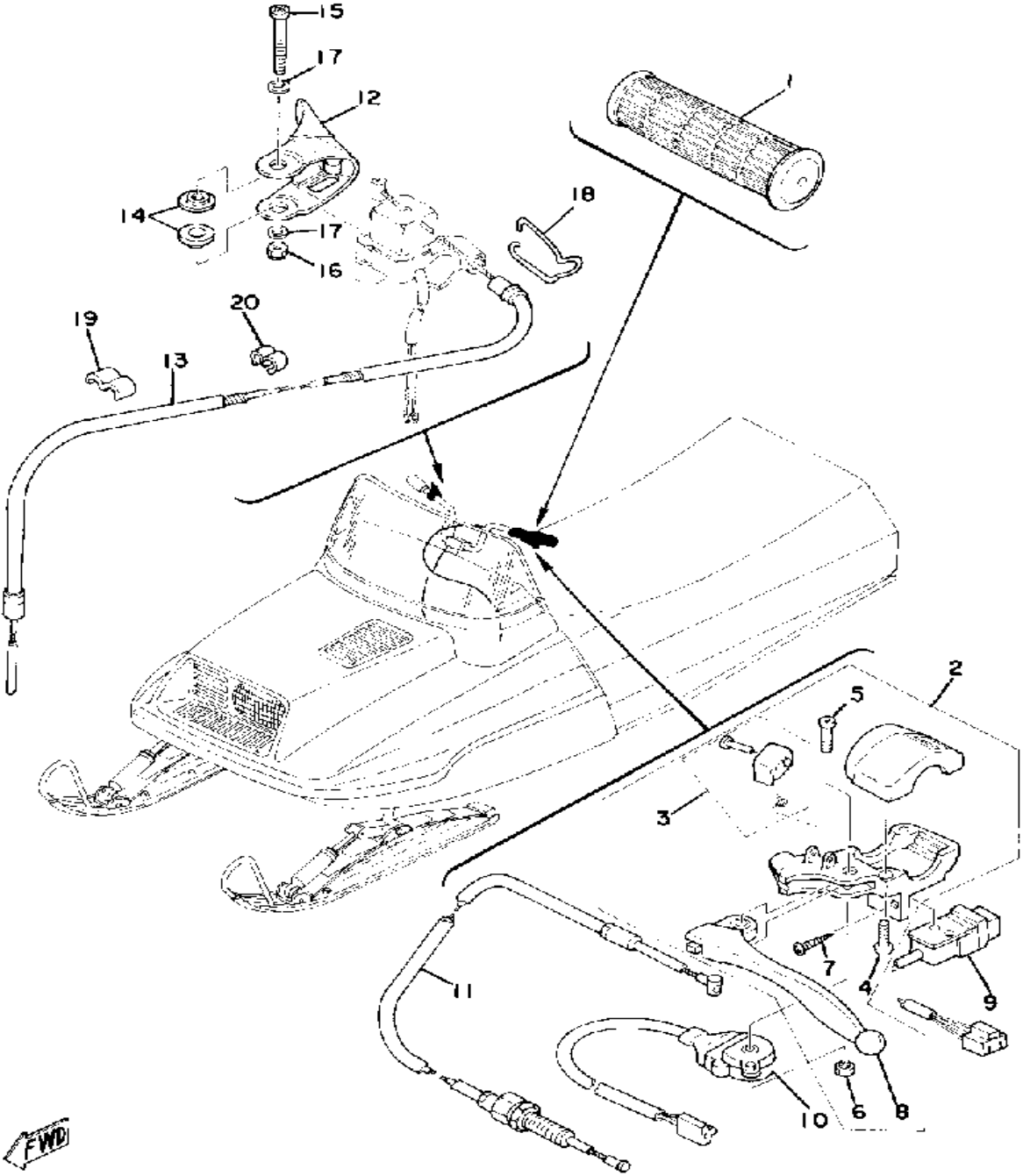
SKI



Ref. No.	Part Number	Description	Qty	Remarks
1	8F3-23710-01-00	SKI 1 (888-23731-01)	2	
2	888-23731-01-XX	SKI RUNNER, 1	2	
3	92906-08200-00	WASHER	6	
4	95712-08300-00	NUT, LOCK	6	
5	8F3-23760-00-00	SPRING ASSEMBLY 1	1	
6	8F3-23770-00-00	SPRING ASSEMBLY 2	1	
7	8F3-23761-00-00	. LEAF 1	2	
8	8F3-23762-00-00	. LEAF 2	2	
9	8F3-23763-00-00	. LEAF 3	2	
10	878-23768-00-00	. SEAT, SPRING 1	2	
11	90101-10060-00	. BOLT	4	
12	806-23766-00-00	. SADDLE 1	2	
13	95701-10500-00	. NUT, FLANGE (95702-10500)	4	
14	90215-10155-00	. WASHER, LOCK	2	
15	90102-10023-00	BOLT, WITH HOLE	2	
16	95306-10900-00	NUT, SLOTTED	2	
17	91401-25020-00	PIN, COTTER	2	
18	8F3-23735-00-00	PLATE, WEAR 1	2	
19	90102-08028-00	BOLT, WITH HOLE	2	
20	90102-08027-00	BOLT, WITH HOLE	2	
21	95712-08300-00	NUT, LOCK	4	
22	91490-20020-00	PIN, COTTER	4	
23	8F3-23350-00-00	SHOCK ABSORBER ASSEMBLY	2	
24	90387-08262-00	COLLAR	2	
25	90387-08224-00	COLLAR	2	
26	97313-08055-00	BOLT, HEXAGON	2	
27	97013-08075-00	BOLT	2	
28	95712-08300-00	NUT, LOCK	4	

Property of www.SmallEngineDiscount.com - Not for Resale

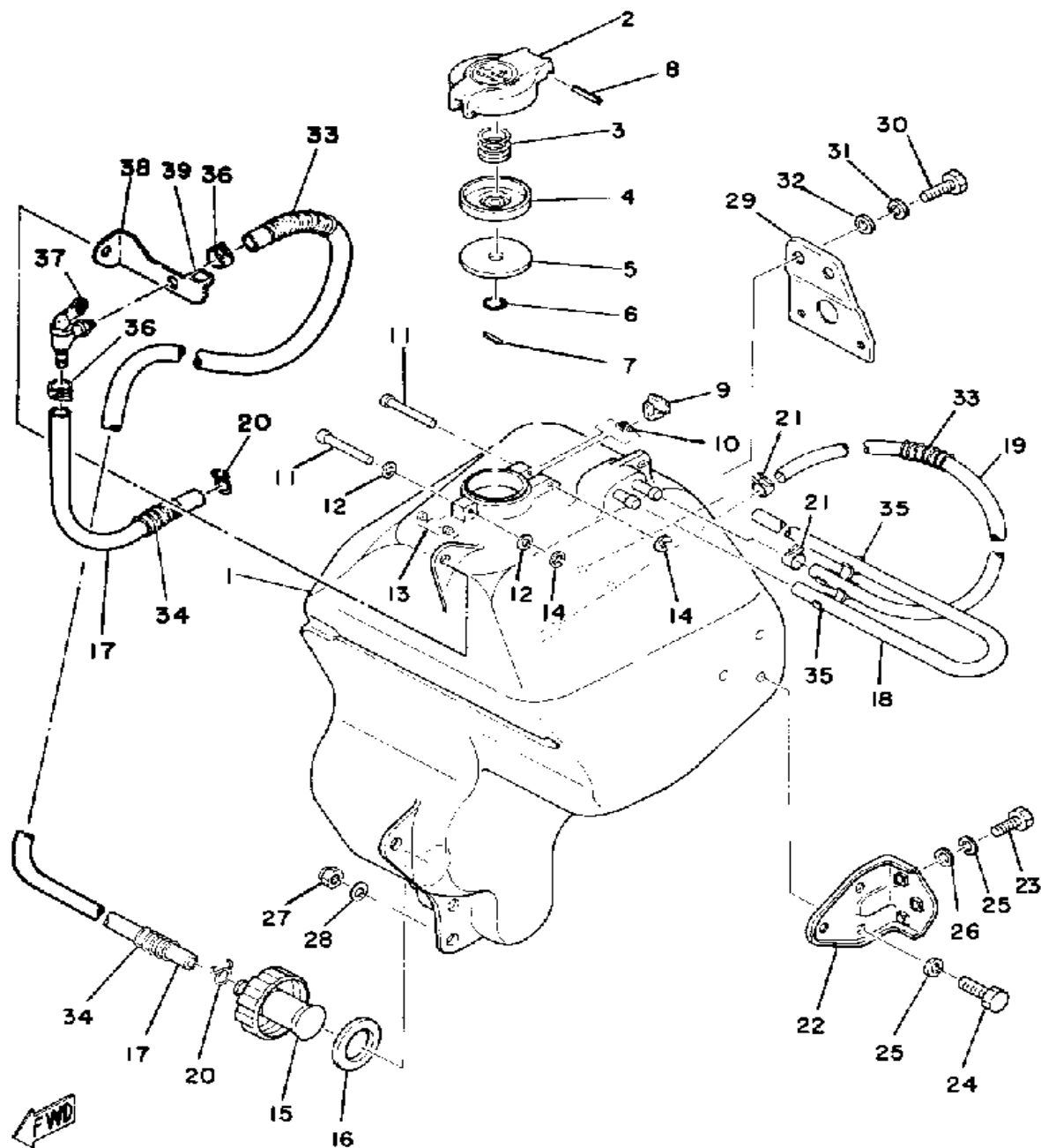
GRIP - WIRING



Ref. No.	Part Number	Description	Qty	Remarks
1	801-26241-01-00	GRIP	2	
2	8E3-W8291-01-00	LEVER HOLDER ASSEMBLY (LEFT)	1	
3	8E3-83930-00-00	. LEVER LOCK ASSEMBLY ...	1	
4	98501-05018-00	. SCREW, PAN HEAD	2	
5	98501-05035-00	. SCREW, PAN HEAD	1	
6	95701-05300-00	. NUT, NYLON	1	
7	97780-30312-00	. SCREW, tapping	1	
8	803-83912-00-38	. LEVER 1	1	
9	8H8-83950-01-00	BEAM SWITCH ASSEMBLY (8K4-83950-01-00)	1	
10	8R4-82530-00-00	STOP SWITCH ASSEMBLY ...	1	
11	8F3-26340-01-00	CABLE, BRAKE	1	
12	873-42138-01-00	UNAVAILABLE IN PRICE BOOK	1	
	8G8-42138-00-00	. LEVER, THROTTLE	1	
	90387-06681-00	. COLLAR	2	
	98580-06550-00	. SCREW PAN HEAD (92503-06050)	1	
	99999-01028-00	THROTTLE LEVER	1	
13	8F3-26311-00-00	CABLE, THROTTLE 1	1	
14	90387-062M9-00	COLLAR	2	
15	98580-06545-00	SCREW PAN HEAD (92503-06045)	1	
16	95701-06300-00	NUT, NYLON	1	
17	92901-06600-00	WASHER	2	
18	90468-10017-00	CLIP (821-26391-00)	1	
19	861-82361-00-00	CLAMP, CORD	1	
20	90468-15020-00	CLIP	2	

Property of www.SmallEngineDiscount.com - Not for Resale

FUEL TANK

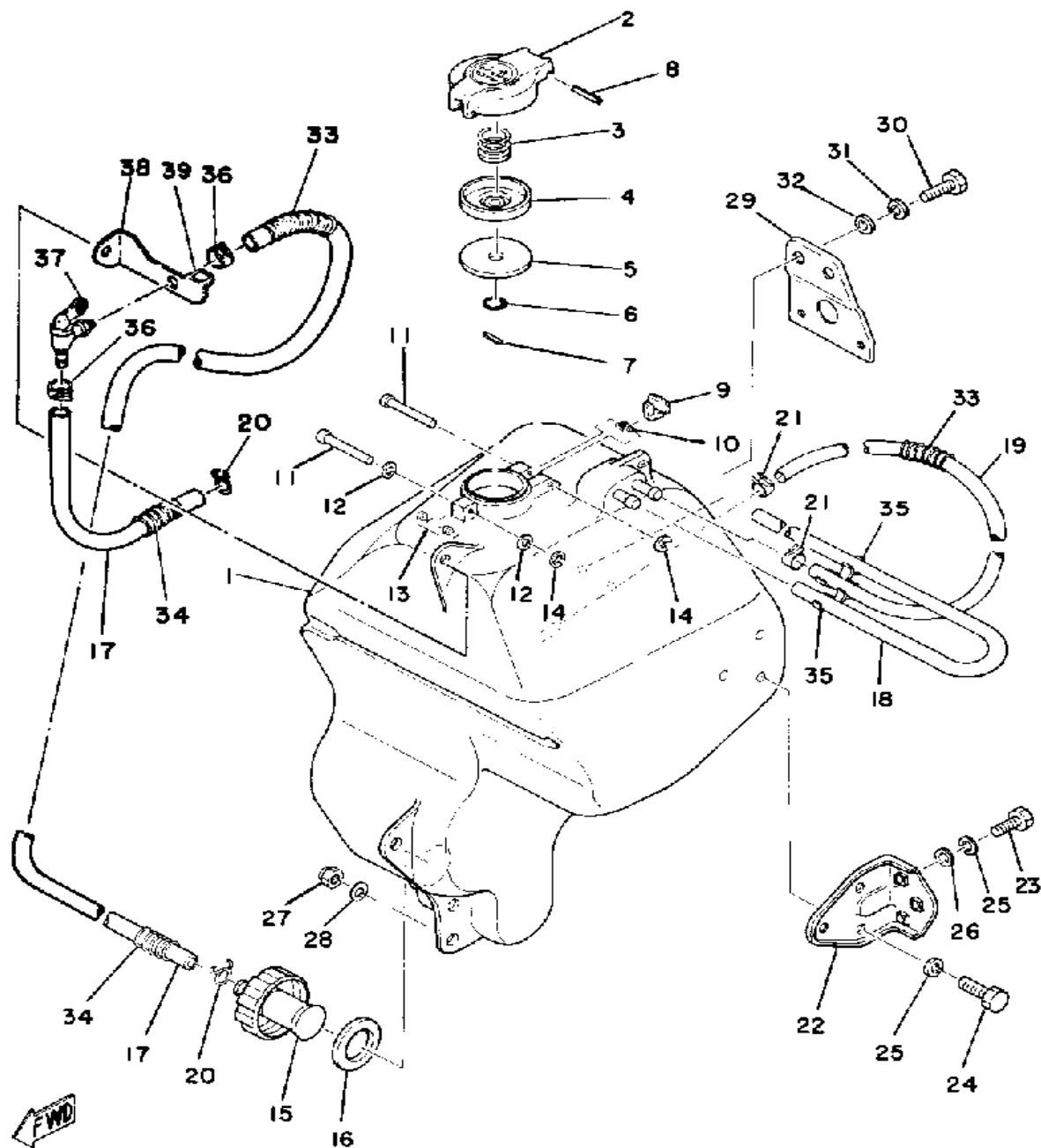


Ref. No.	Part Number	Description	Qty	Remarks
1	8F3-24111-00-00	FUEL TANK	1	
2	813-24611-01-00	BODY, CAP	1	
3	90501-20130-00	SPRING, COMPRESSION	1	
4	813-24613-01-00	DISC, CAP	1	
5	256-24612-00-00	GASKET, CAP	1	
6	93210-04122-00	O-RING	1	
7	91609-30016-00	PIN, SPRING	1	
8	91609-25032-00	PIN, SPRING	1	
9	83M-24628-00-00	HOOK	1	
10	90508-08003-00	SPRING, TORSION (813-24637-00)	1	
11	90249-03017-00	PIN	2	
12	90201-03313-00	WASHER, PLATE	2	
13	90508-08353-00	SPRING, TORSION	1	
14	93430-02001-00	CIRCLIP	2	
15	8R4-24560-00-00	FILTER ASSEMBLY.	1	
16	8F3-24564-00-00	GASKET	1	
17	91A20-07070-00	HOSE	1	
18	90446-09014-00	HOSE	1	
19	90446-09013-00	HOSE (90446-09079)	1	
20	90467-11009-00	CLIP	2	
21	90467-09026-00	CLIP	2	
22	(8F3-24191-01-00)	BRACKET, FUEL TNK 1	1	
23	97313-08018-00	BOLT, HEXAGON (97301-08016)	3	
24	97313-08012-00	BOLT	3	
25	92990-08100-00	WASHER	6	
26	91A20-07080-00	TUBE, FLEXIBLE VINYL	1	
27	95712-08300-00	NUT, LOCK	2	
28	90201-08107-00	WASHER, PLATE	2	

CONTINUED ON NEXT FRAME ➤

Property of www.SmallEngineDiscount.com - Not for Resale

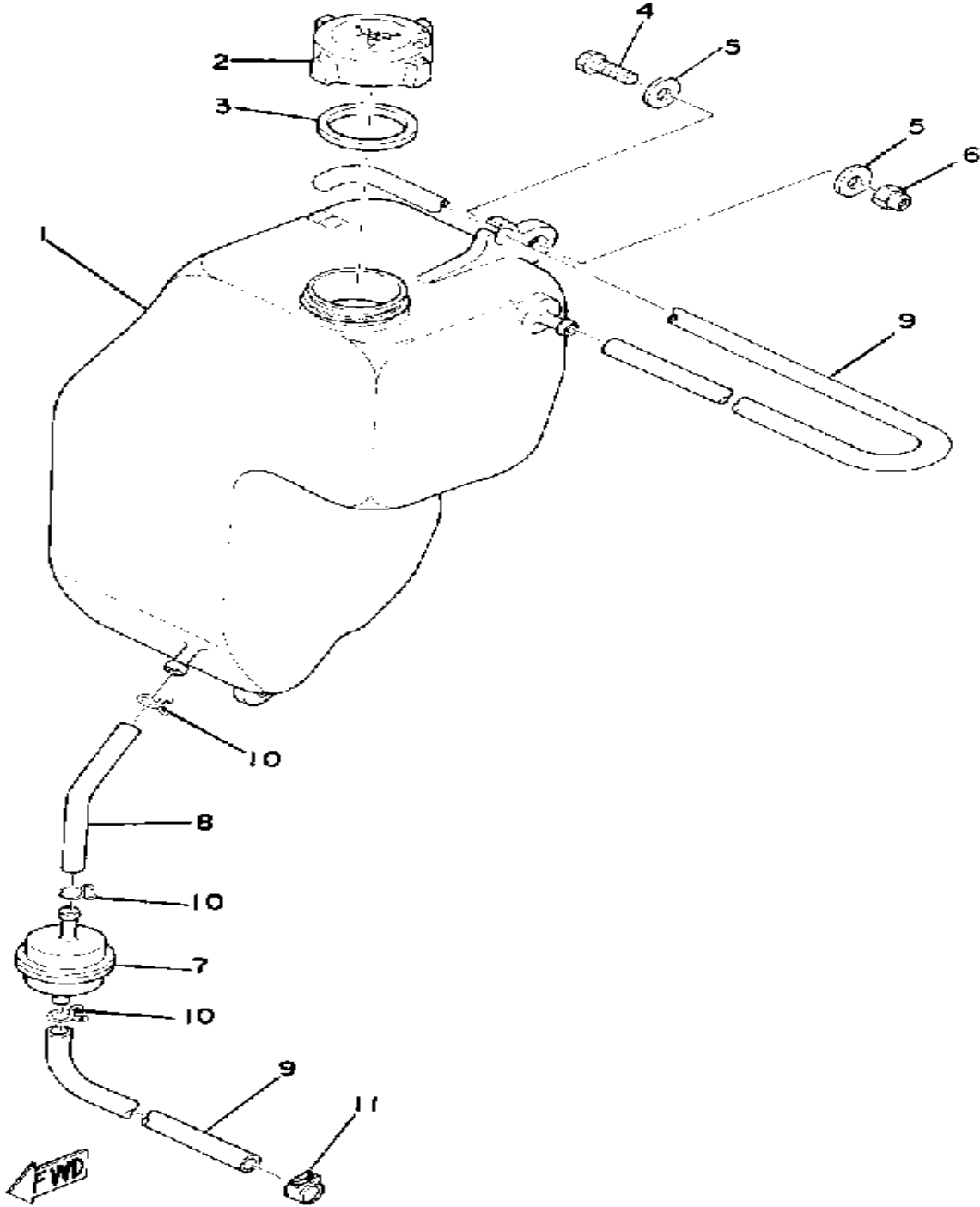
FUEL TANK



Ref. No.	Part Number	Description	Qty	Remarks
29	(8F3-24192-00-00)	BRACKET, FUEL TNK 2	1	
30	97313-08018-00	BOLT, HEXAGON (97301-08016)	2	
31	92990-08100-00	WASHER	2	
32	90201-08107-00	WASHER, PLATE	2	
33	8F3-24326-00-00	PROTECTOR, PIPE	1	
34	8F3-24327-00-00	PROTECTOR, PIPE	1	
35	(90468-15076-00)	CLIP	2	
36	90467-11028-00	CLIP	1	
37	(8F3-24500-00-00)	FUEL COCK ASSEMBLY 1	1	
38	(8F3-24544-00-00)	BRACKET, FUEL COCK	1	
39	(8F3-24153-00-00)	INDICATOR, COCK	1	
	(8G5-00000-10-00)	FUEL RETURN KIT	1	S7 004
	810-14597-00-00	. WASHER	1	
	867-24461-00-00	. PIPE, JOINT	1	
	8G5-14350-00-00	. PIPE ADAPTOR ASSEMBLY	1	
	8G5-24328-00-00	. PROTECTOR, PIPE	1	
	90446-09059-00	. HOSE	1	
	90446-09065-00	. HOSE	1	
	90460-09001-00	. CLAMP, HOSE	1	
	90467-09026-00	. CLIP	3	

Property of www.SmallEngineDiscount.com - Not for Resale

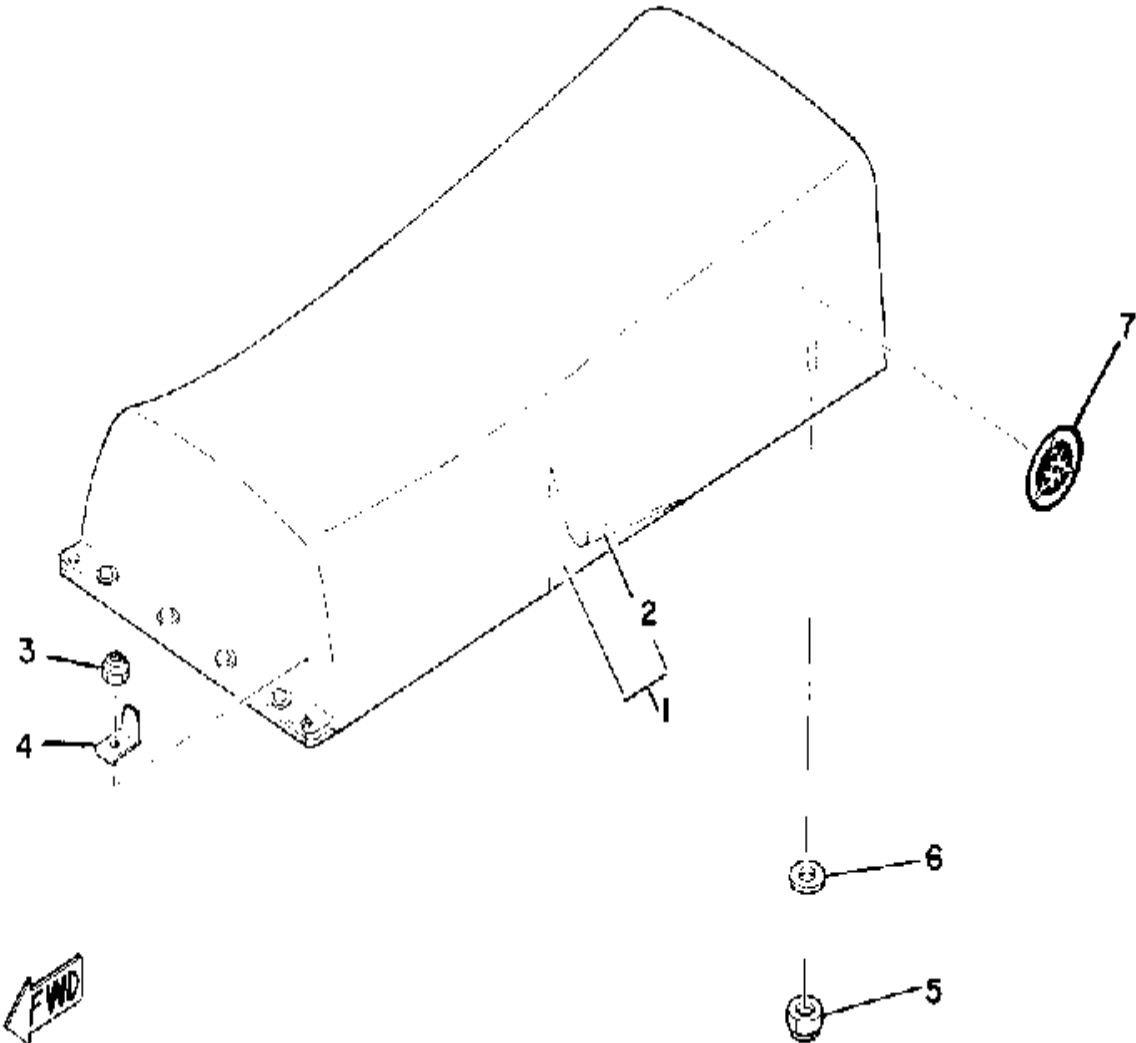
OIL TANK



Ref. No.	Part Number	Description	Qty	Remarks
1	8F3-21751-02-00	TANK, OIL	1	
2	863-21771-00-00	BODY, CAP	1	
3	90430-31003-00	GASKET	1	
4	97313-08030-00	BOLT, HEXAGON	2	
5	(90201-08568-00)	WASHER, PLATE	4	
6	95712-08300-00	NUT, LOCK	2	
7	J10-13410-00-00	STRAINER HSNG ASSEMBLY .	1	
8	90446-09065-00	HOSE	1	
9	90446-09059-00	HOSE	2	
10	90467-09005-00	CLIP, SCISSOR	3	
11	90467-09026-00	CLIP	1	

Property of www.SmallEngineDiscount.com - Not for Resale

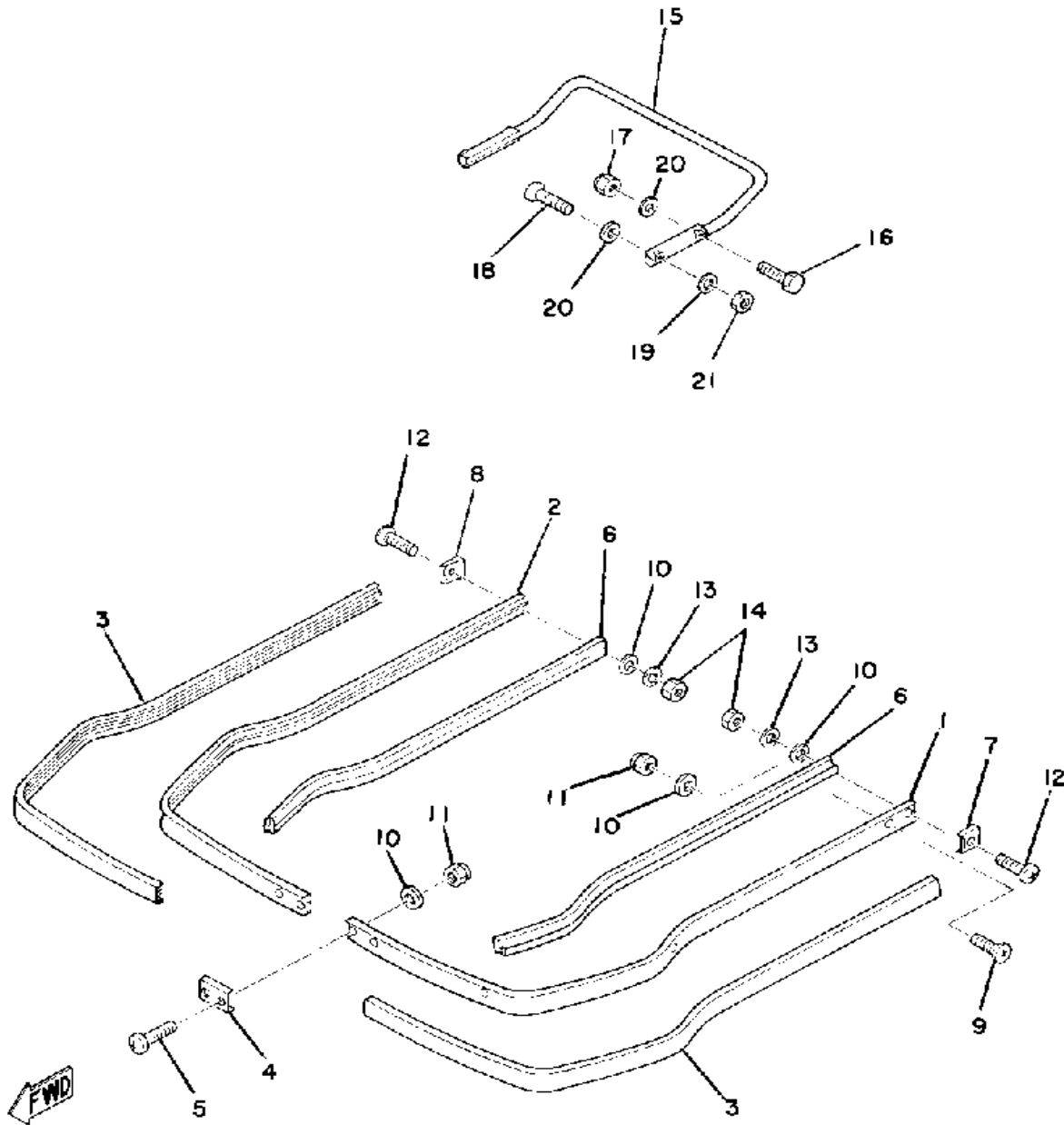
SEAT



Ref. No.	Part Number	Description	Qty	Remarks
1	(8F3-24710-00-00)	SINGLE SEAT ASSEMBLY	1	
2	(8F3-24711-00-00)	COVER, SINGLE SEAT	1	
3	95701-06300-00	NUT, NYLON	2	
4	(8F3-24718-00-00)	BRACKET, SEAT	2	
5	95712-08300-00	NUT, LOCK	2	
6	90201-08107-00	WASHER, PLATE	2	
7	821-77352-00-00	EMBLEM 2	2	

Property of www.SmallEngineDiscount.com - Not for Resale

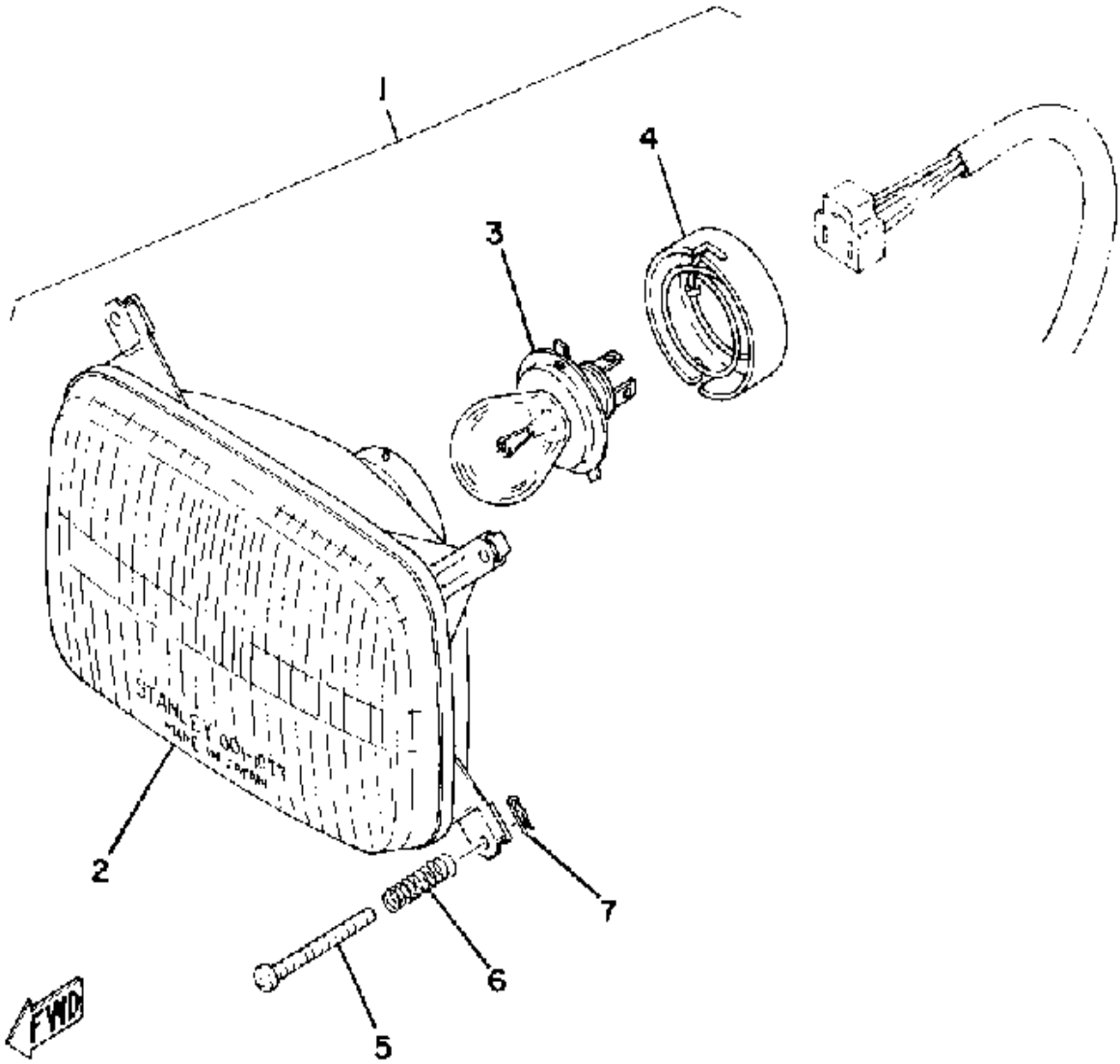
BUMPER



Ref. No.	Part Number	Description	Qty	Remarks
1	(8F3-77511-00-00)	BUMPER, FRONT 1	1	
2	(8F3-77512-00-00)	BUMPER, FRONT 2	1	
3	(8F3-77514-00-00)	BUMPER, FRONT 4	2	
4	8F3-77529-00-00	SPACER, BUMPER	1	
5	98980-06030-00	SCREW, BIND	2	
6	8H4-77515-00-00	BUSH, RUBBER 1	2	
7	8F3-77523-00-00	END, BUMPER	1	
8	8F3-77524-00-00	END, BUMPER	1	
9	98780-06025-00	SCREW, FLAT HEAD	10	
10	90201-06M08-00	WASHER, PLATE	14	
11	95701-06300-00	NUT, NYLON	12	
12	98980-06025-00	SCREW, BIND	2	
13	92995-06100-00	WASHER, SPRING	2	
14	95380-06600-00	NUT	2	
15	8F3-77541-01-00	BUMPER, REAR 1	1	
16	97313-08040-00	BOLT, HEXAGON (97322-08040)	2	
17	95712-08300-00	NUT, LOCK	2	
18	98901-08035-00	SCREW, BIND	2	
19	92990-08100-00	WASHER	2	
20	92990-08200-00	WASHER, PLAIN	4	
21	95303-08800-00	NUT (CROWN) (95301-08800)	2	

Property of www.SmallEngineDiscount.com - Not for Resale

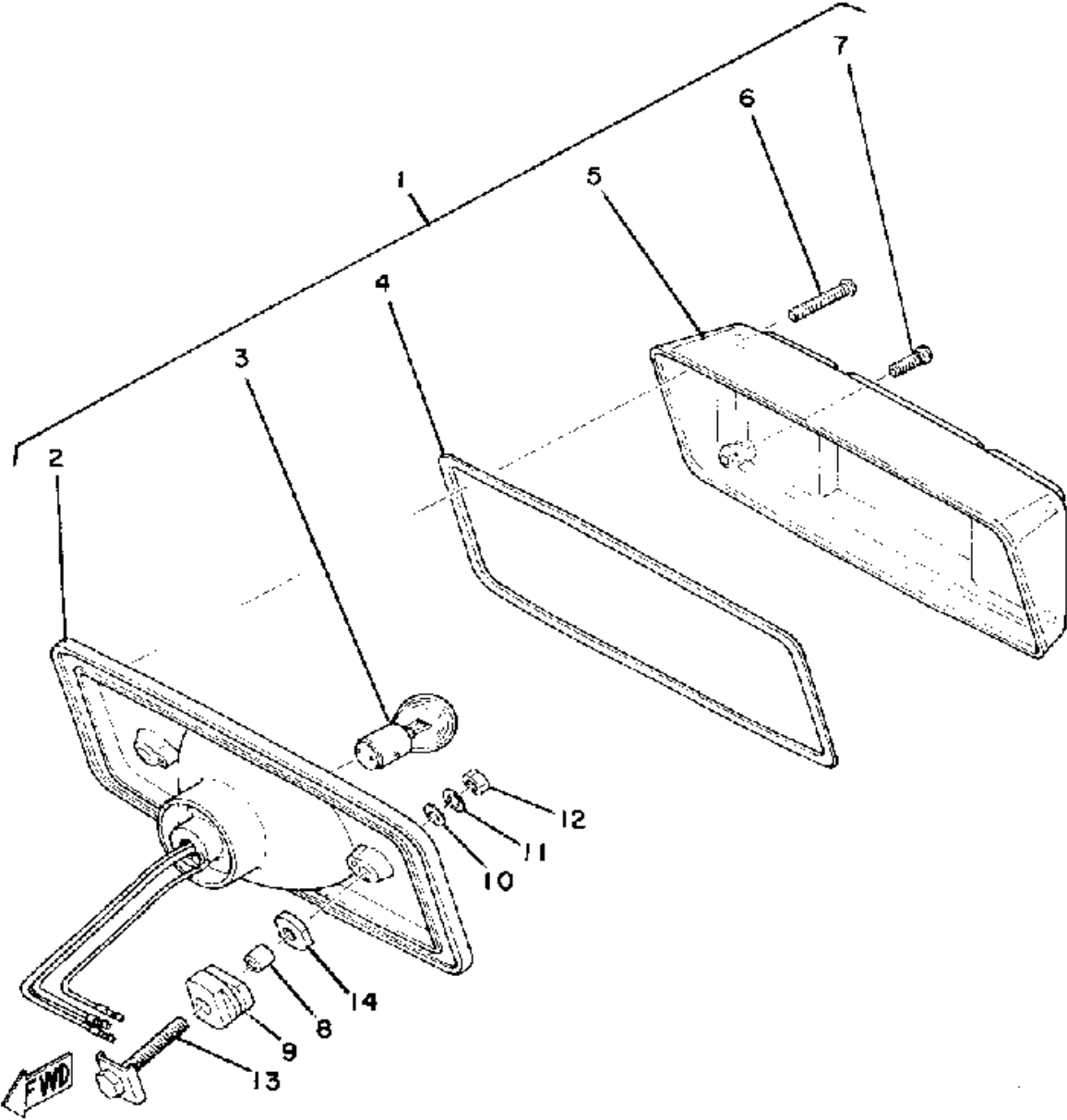
HEAD LAMP



Ref. No.	Part Number	Description	Qty	Remarks
1	8M6-84310-00-00	HEADLIGHT UNIT ASSEMBLY .	1	
2	8A7-84320-00-00	. LENS ASSEMBLY	1	
3	8A7-84314-00-00	. BULB (12V-60/60W)	1	
4	8A7-84312-00-00	. HOLDER, SOCKET	1	
5	8M6-84331-00-00	. SCREW, RIM ADJUSTING (8A5-84331-00-00)	4	
6	8A5-84332-00-00	. SPRING, SCREW	4	
7	(807-84351-00-00)	CLAMP, CORD	4	

Property of www.SmallEngineDiscount.com - Not for Resale

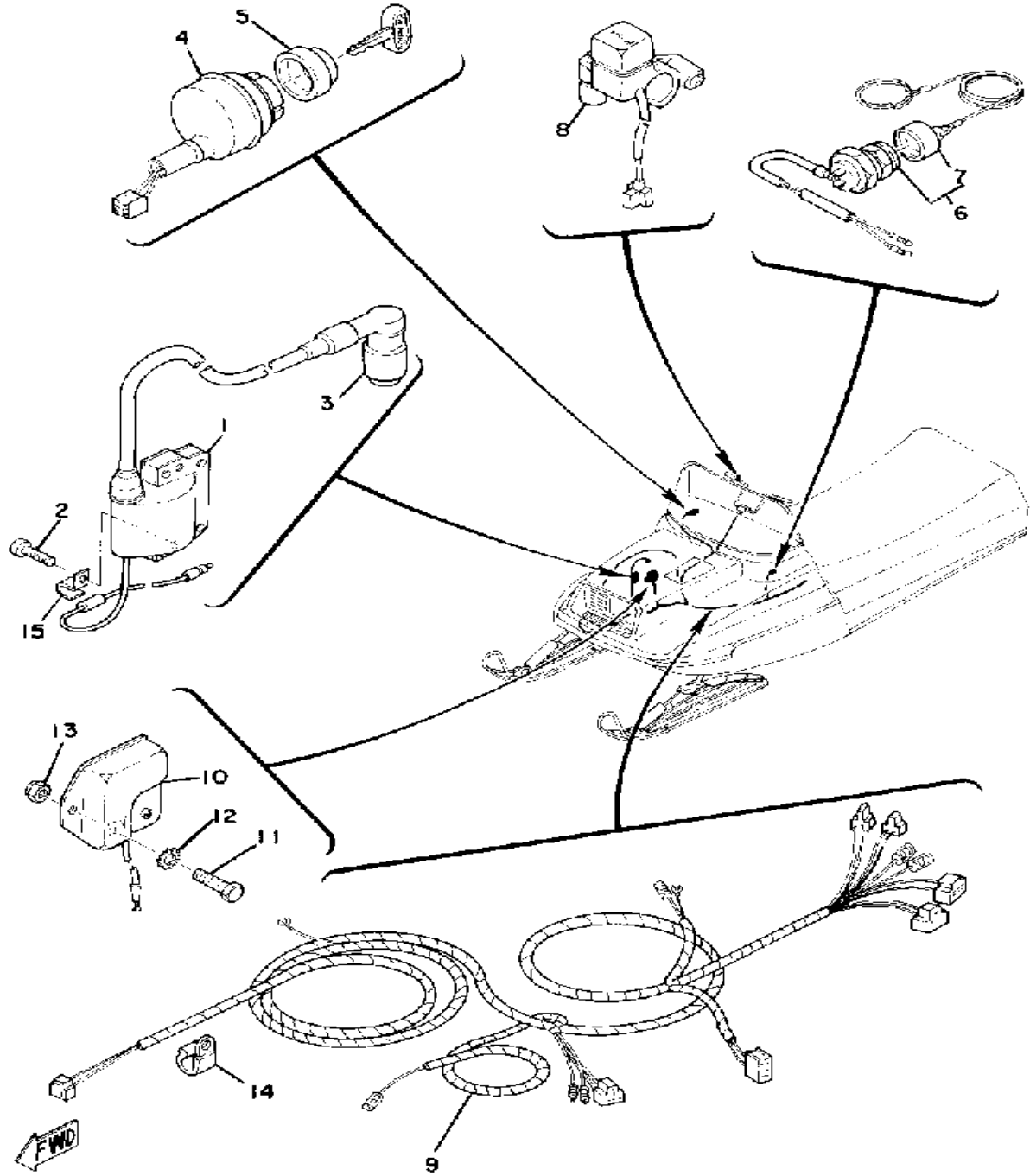
TAIL LAMP



Ref. No.	Part Number	Description	Qty	Remarks
1	8A1-84710-00-00	TAILLIGHT UNIT ASSEMBLY ..	1	
2	8A1-84710-00-00	. TAILLIGHT UNIT ASSEMBLY .	1	
3	137-84714-61-00	. BULB, TL 12V23/8W (J50-83311-00)	1	
4	821-84712-00-00	. SEAT, BASE	1	
5	821-84721-00-00	. LENS, TAILLIGHT	1	
6	98511-04030-00	. SCREW, PAN HEAD	2	
7	98503-04014-00	. SCREW, PAN HEAD	2	
8	90387-074W0-00	COLLAR	2	
9	90480-10187-00	GROMMET	2	
10	92901-06600-00	WASHER	2	
11	92995-06100-00	WASHER, SPRING	2	
12	95380-06600-00	NUT	2	
13	90109-06428-00	BOLT	2	
14	90179-06209-00	NUT, SPEC'L SHAPE	2	

Property of www.SmallEngineDiscount.com - Not for Resale

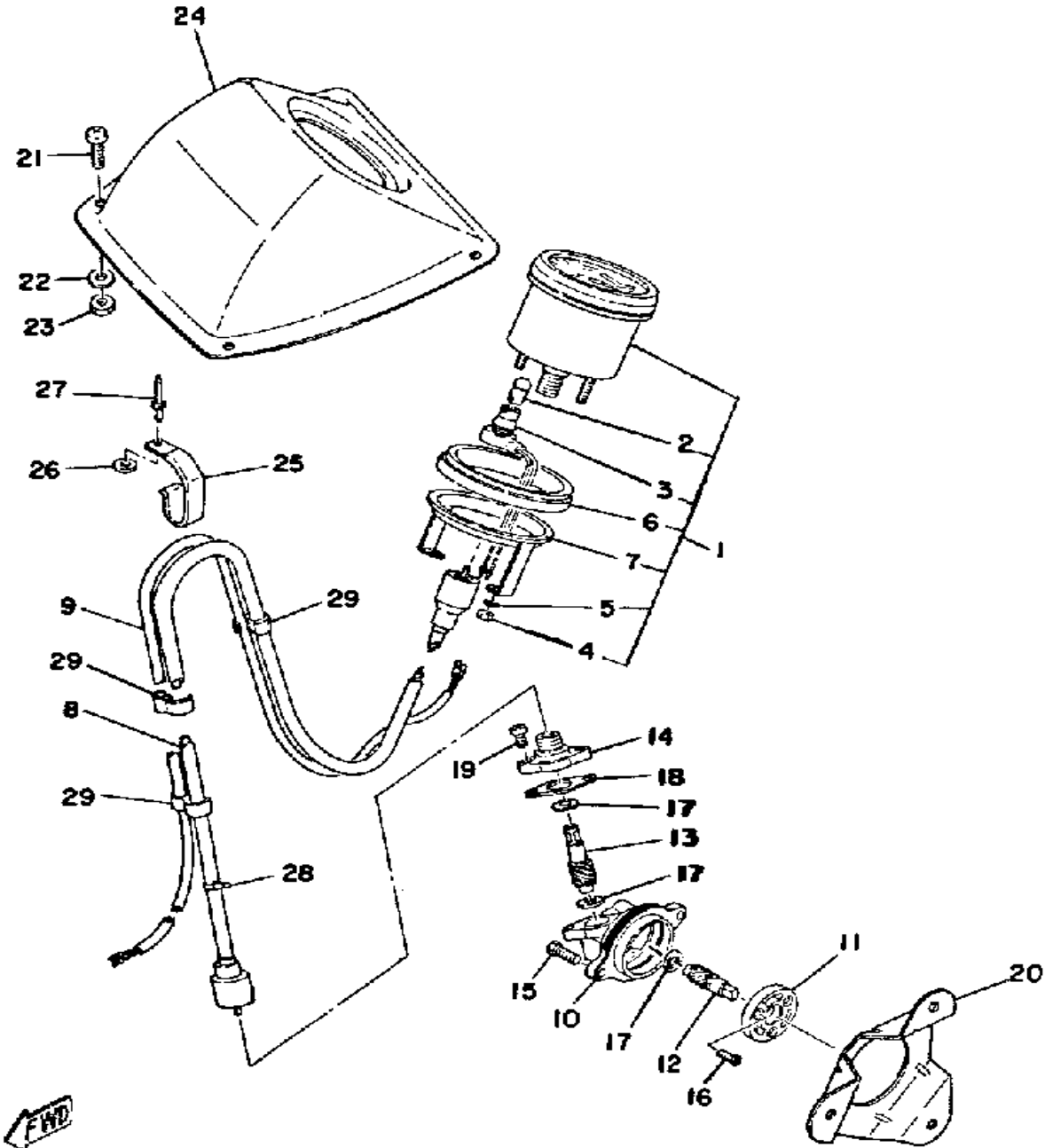
ELECTRICAL



Ref. No.	Part Number	Description	Qty	Remarks
1	8F3-82310-11-00	IGNITION COIL ASSEMBLY ...	1	
2	98511-06025-00	SCREW PAN HEAD (92501-06025)	2	
3	899-82370-20-00	PLUG CAP ASSEMBLY	1	
4	8F3-82508-20-00	MAIN SWITCH ASSEMBLY ...	1	
5	806-82516-00-00	COLLAR, MAIN SWITCH	1	
6	8H8-82550-01-00	ENGINE STOP SWITCH ASSEMBLY	1	
7	8H8-82552-09-00	. CAP, SWITCH	1	
8	8E3-83976-01-00	SWITCH, HANDLE 1	1	
9	(8F3-82590-20-00)	WIRE HARNESS ASSEMBLY ..	1	
10	82F-81910-A0-00	VOLTAGE REGULATOR ASSEMBLY	1	
11	97301-06014-00	BOLT, HEXAGON	2	
12	92901-06400-00	WASHER, EX.TOOTH	2	
13	95701-06300-00	NUT, NYLON	2	
14	90465-08028-00	CLAMP	2	
15	90462-05005-00	CLAMP	1	

Property of www.SmallEngineDiscount.com - Not for Resale

SPEEDOMETER UNIT (ALTERNATE PART)



Ref. No.	Part Number	Description	Qty	Remarks
1	(863-83510-41-00)	SPEEDOMETER ASSEMBLY ..	1	
2	123-83516-21-00	. BULB (12V-3.4W)	1	
3	(861-83536-40-00)	SOCKET, METER	1	
4	95380-05600-00	. NUT	2	
5	92990-05100-00	. WASHER, SPRING	2	
6	861-83523-40-00	. DAMPER	1	
7	861-83514-40-00	. PLATE, FITTING	1	
8	8F3-83550-01-00	SPEEDOMETER CABLE	1	
9	(8F3-83553-00-00)	WIRE, LEAD	1	
10	8E6-47711-10-00	HOUSING	1	
11	853-47712-10-00	JOURNAL	1	
12	810-47731-11-00	GEAR, DRIVE	1	
13	810-47741-11-00	GEAR, DRIVEN (810-47741-10)	1	
14	8E3-47721-10-00	COVER, HOUSING	1	
15	97313-06016-00	BOLT, HEXAGON	2	
16	98701-04012-00	SCREW, FLAT HEAD	3	
17	810-47717-10-00	SHIM	3	
18	810-47727-10-00	GASKET	1	
19	98580-05012-00	SCREW, PAN HEAD	2	
20	8G5-47551-01-00	HOUSING, FRONT AXLE	1	
21	98906-05016-00	SCREW, BIND	4	
22	92990-05200-00	WASHER, PLAIN	4	
23	95701-05300-00	NUT, NYLON	4	
24	8H7-83507-00-00	COVER, SPEEDOMETER	1	
25	90465-06100-00	CLAMP	1	
26	90201-04325-00	WASHER, PLATE	1	
27	90267-40026-00	RIVET, BLIND (806-77175-00) .	1	
28	25G-83936-01-00	BAND, SWITCH CORD	1	
29	90468-15020-00	CLIP	3	

Property of www.SmallEngineDiscount.com - Not for Resale

ET250A 1977 SERVICE DATA

SNOWMOBILE
S6-016

MODEL – IBM I.D. NUMBER	ET250A	8F3
Starting Engine and Frame Number	S246-005101	8F3-005101
ENGINE (type) (induction system)	2-stroke, 5-port, piston-port, forced air cooled	
Bore x Stroke x Cylinders Displacement	73 x 59mm x 1	246cc
Compression Ratio/Compression Pressure	6.5:1	
Piston Skirt Clearance (new/max)	.045 ~ .050mm(.0018~.0020") / 0.1mm(.004")	
Ring End Gap (top/2nd)	0.3~0.5mm(.01~.02") Same	
Ring Groove Clearance (top/2nd)	.03 ~.05mm(.001~.002") / Same	
CARBURETOR (mfr) (type) (I.D. number)	Keihin CDX38-34	8F300
Quantity/Venturi size (measured) (effective)	1 / 38mm / 32mm	
Fuel Inlet Valve (size)/Fuel Level	1.6mm / 5mm above upper gasket	
Slow Speed Screw Setting (turns out)	1 1/4 turns	
Main Jet/Partial Jet/Slow Jet	No. 130 / No. 40 / No. 50	
Idle Speed	1,300 rpm	
AUTOLUBE – Pump Color/Control Rod Adj.	Gray / Full throttle: lever and match mark	
Pump Plunger Stroke (min) (max)	0.20~0.25(.008~.010")/1.85~2.05mm	
Output @ 200 strokes (full throttle/idle)	N/A	
DRIVE (type)	V-belt	Automatic
Primary Sheave Engagement RPM	3,500 rpm	
Belt Length/Width/Wear Limit/IBM number	1,099mm(43.27") / 31.6mm (1.24") / 26mm(1.02")	
Primary Ratio(s)	3.5:1~1:1	
Sheave Center to Center/Offset	270 ± 2mm(10.63 ± .08")11 ± 1mm(.43 ± .04")	
Primary Spring Color/Length/Rate	None / 70.9mm (2.79")	
Secondary Spring Pre-load/Part Number /Color	160° / 90508-40080, No color	
Secondary Drive Ratio/Chain Pitch-type/Freeplay	22/13 No. 40K-1 10mm	
Track (width)/Tension	15 in. / 1" deflection w/22 lbs. pull	
SLIDE SUSPENSION – Stopper Band/Rear Spring	No adjustment	Lower position
CAPACITIES – Chain Case (quantity) (type)	500cc (16.9 oz.)	SAE 75~80, API GL-3
Fuel Tank (quantity) (grade)	5 gal.	Regular Gasoline
Autolube Tank (quantity) (type)	2.1 qt.	Yamalube 2-cycle
Torque Converter (quantity) (type)	φ	
ELECTRICAL – Charging System (mfr) (type)	Hitachi	Flywheel Magneto
Lighting Output at Full Load	12V 100W	
Headlight/Taillight/Instrument Ratings	(12V 60W/60W) (12V 8W) φ	
Lighting Coil Resistance	N/A	
Stoplight Coil Resistance	N/A	
Ignition Source Coil Resistance (charge coil)	2.2 Ω ± 10%	
Pulser Coil Resistance	φ	
Coil Resistance (primary) (secondary)	(1.5 Ω) (6.2K Ω ± 20%)	
Breaker Point Gap / Condenser Capacity	0.35mm (0.014")	
Spark Plug Type/Heat Range/Gap	NGK BR-8HV	0.5~0.6 (.020~.024")
Timing (B.T.D.C.)*	1.7mm B.T.D.C.	

N/A = Information Not Available
φ = Does Not Apply To This Model

*After setting statically, check with timing light.

ET250A 1977 SERVICE DATA

SNOWMOBILE
S6-016

MODEL – IBM I.D. NUMBER	ET250A	8F3
Starting Engine and Frame Number	S246-005101	8F3-005101
ENGINE (type) (induction system)	2-stroke, 5-port, piston-port, forced air cooled	
Bore x Stroke x Cylinders Displacement	73 x 59mm x 1	246cc
Compression Ratio/Compression Pressure	6.5:1	
Piston Skirt Clearance (new/max)	.045 ~ .050mm(.0018~.0020") / 0.1mm(.004")	
Ring End Gap (top/2nd)	0.3~0.5mm(.01~.02") Same	
Ring Groove Clearance (top/2nd)	.03 ~.05mm(.001~.002") / Same	
CARBURETOR (mfr) (type) (I.D. number)	Keihin CDX38-34	8F300
Quantity/Venturi size (measured) (effective)	1 / 38mm / 32mm	
Fuel Inlet Valve (size)/Fuel Level	1.6mm / 5mm above upper gasket	
Slow Speed Screw Setting (turns out)	1 1/4 turns	
Main Jet/Partial Jet/Slow Jet	No. 130 / No. 40 / No. 50	
Idle Speed	1,300 rpm	
AUTOLUBE – Pump Color/Control Rod Adj.	Gray / Full throttle: lever and match mark	
Pump Plunger Stroke (min) (max)	0.20~0.25(.008~.010")/1.85~2.05mm	
Output @ 200 strokes (full throttle/idle)	N/A	
DRIVE (type)	V-belt	Automatic
Primary Sheave Engagement RPM	3,500 rpm	
Belt Length/Width/Wear Limit/IBM number	1,099mm(43.27") / 31.6mm (1.24") / 26mm(1.02")	
Primary Ratio(s)	3.5:1~1:1	
Sheave Center to Center/Offset	270 ± 2mm(10.63 ± .08")11 ± 1mm(.43 ± .04")	
Primary Spring Color/Length/Rate	None / 70.9mm (2.79")	
Secondary Spring Pre-load/Part Number /Color	160° / 90508-40080, No color	
Secondary Drive Ratio/Chain Pitch-type/Freeplay	22/13 No. 40K-1 10mm	
Track (width)/Tension	15 in. / 1" deflection w/22 lbs. pull	
SLIDE SUSPENSION – Stopper Band/Rear Spring	No adjustment	Lower position
CAPACITIES – Chain Case (quantity) (type)	500cc (16.9 oz.)	SAE 75~80, API GL-3
Fuel Tank (quantity) (grade)	5 gal.	Regular Gasoline
Autolube Tank (quantity) (type)	2.1 qt.	Yamalube 2-cycle
Torque Converter (quantity) (type)	φ	
ELECTRICAL – Charging System (mfr) (type)	Hitachi	Flywheel Magneto
Lighting Output at Full Load	12V 100W	
Headlight/Taillight/Instrument Ratings	(12V 60W/60W) (12V 8W) φ	
Lighting Coil Resistance	N/A	
Stoplight Coil Resistance	N/A	
Ignition Source Coil Resistance (charge coil)	2.2 Ω ± 10%	
Pulser Coil Resistance	φ	
Coil Resistance (primary) (secondary)	(1.5 Ω) (6.2K Ω ± 20%)	
Breaker Point Gap / Condenser Capacity	0.35mm (0.014")	
Spark Plug Type/Heat Range/Gap	NGK BR-8HV	0.5~0.6 (.020~.024")
Timing (B.T.D.C.)*	1.7mm B.T.D.C.	

N/A = Information Not Available
φ = Does Not Apply To This Model

*After setting statically, check with timing light.

Property of www.SmallEngineDiscount.com - Not for Resale