



YAMAHA

GENUINE

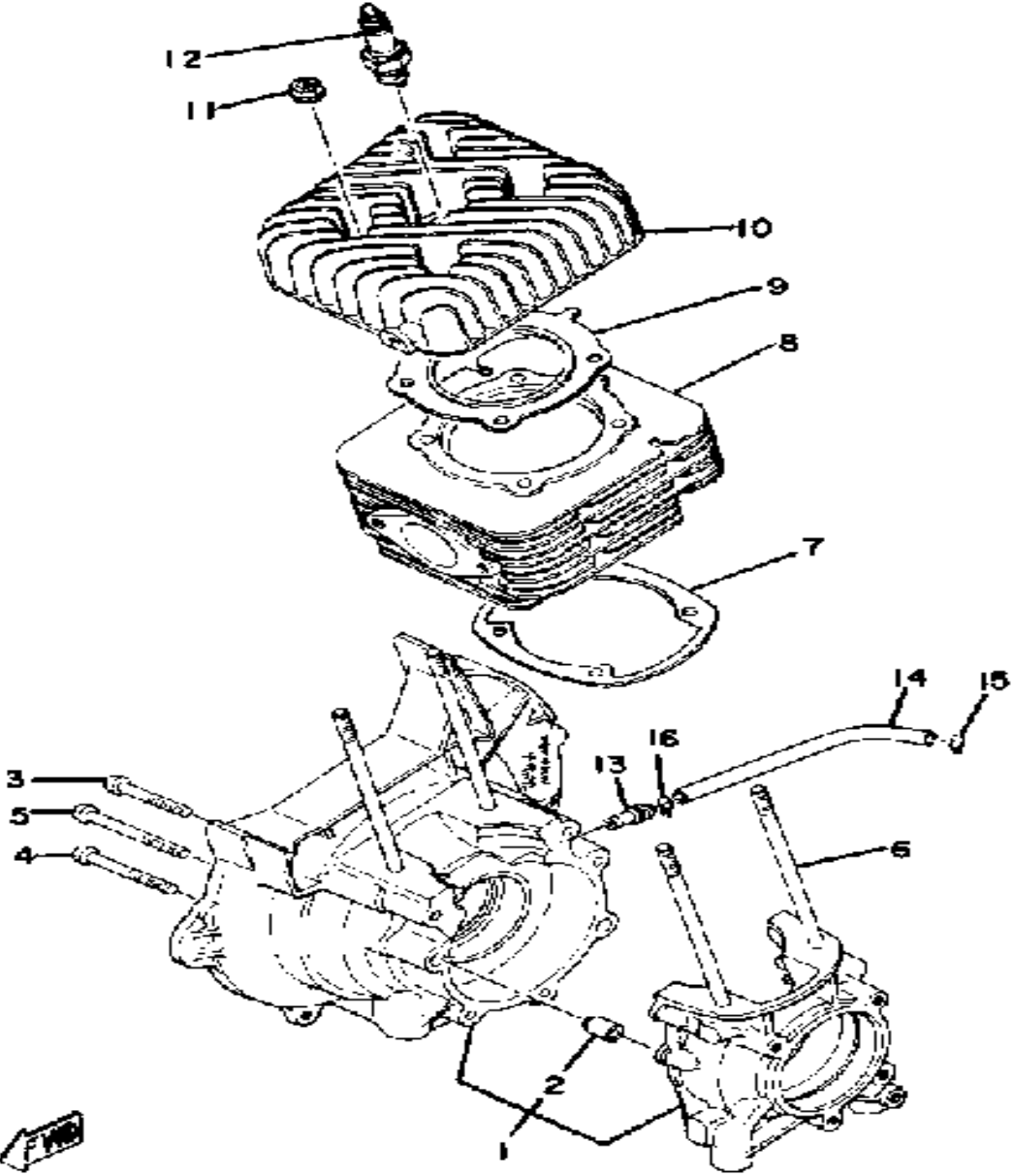
PARTS CATALOGUE

SNOWMOBILE

Property of www.SmallEngineDiscount.com - Not for Resale

A1

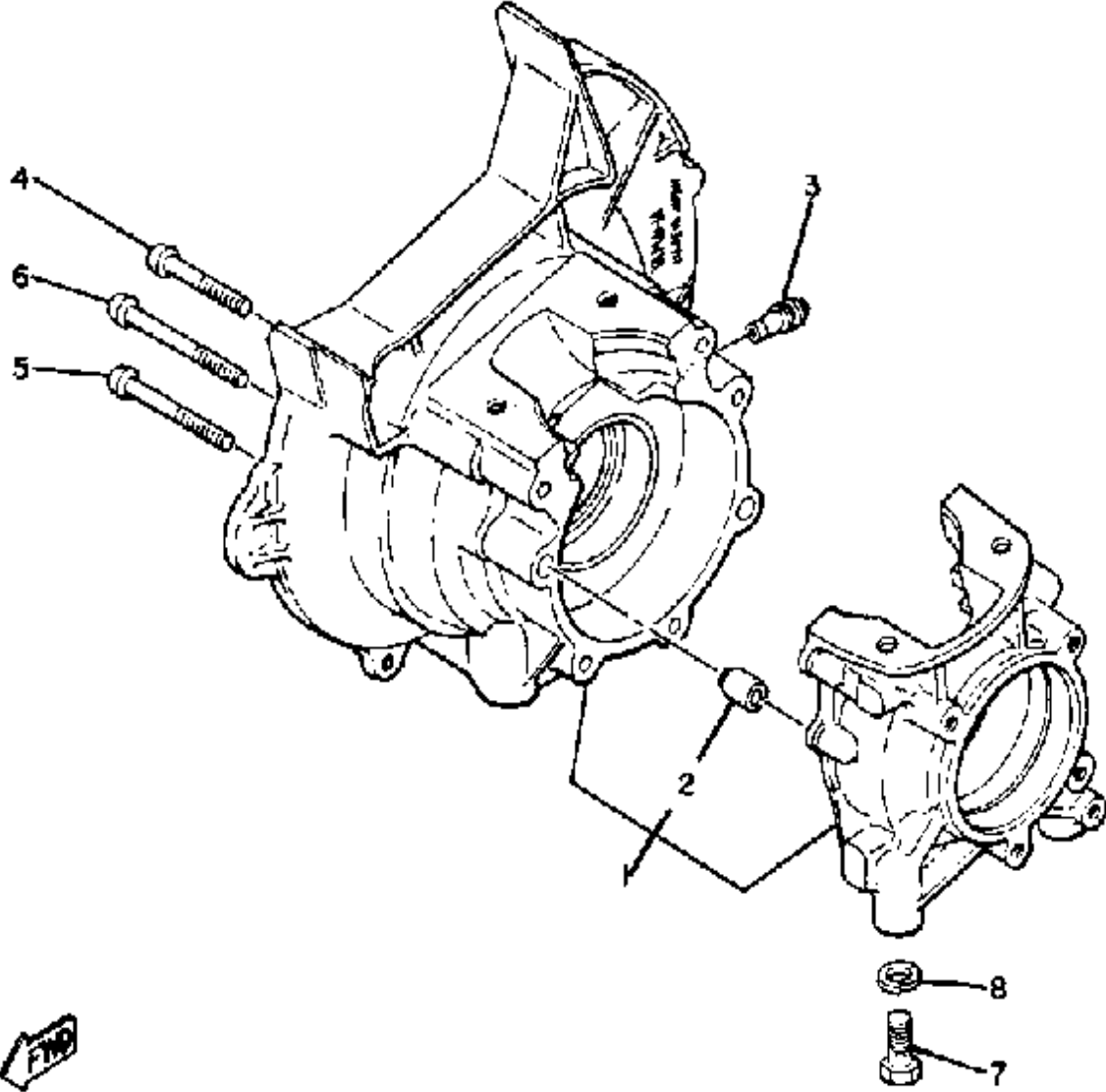
CRANKCASE - CYLINDER ET250C



Ref. No.	Part Number	Description	Qty	Remarks
1	8H4-15100-00-00	CRANKCASE ASSEMBLY	1	
2	99530-10014-00	. PIN, DOWEL	2	
3	98580-06545-00	SCREW PAN HEAD (92503-06045)	5	
4	98580-06055-00	SCREW, pan head (92501-06065-00)	1	
5	98580-06565-00	SCREW, PAN HEAD (92501-06065)	1	
6	90116-08254-00	BOLT, STUD	4	
7	881-11351-01-00	GASKET, CYLINDER	1	
8	8F3-11311-00-00	CYLINDER 1	1	
9	8F3-11181-00-00	GASKET, CYLINDER HEAD 1 (881-11181-00)	1	
10	8G5-11111-00-00	HEAD, CYLINDER 1	1	
11	90179-08246-00	NUT, SPEC'L SHAPE	4	
12	NGK-B8HS0-00-00	PLUG, SPARK	1	
13	J38-11116-00-00	JOINT, BREATHER	1	
14	(90445-10138-00)	HOSE	1	
15	(90467-09036-00)	CLIP, SCISSOR	1	
16	90467-09006-00	CLIP	1	

Property of www.SmallEngineDiscount.com - Not for Resale

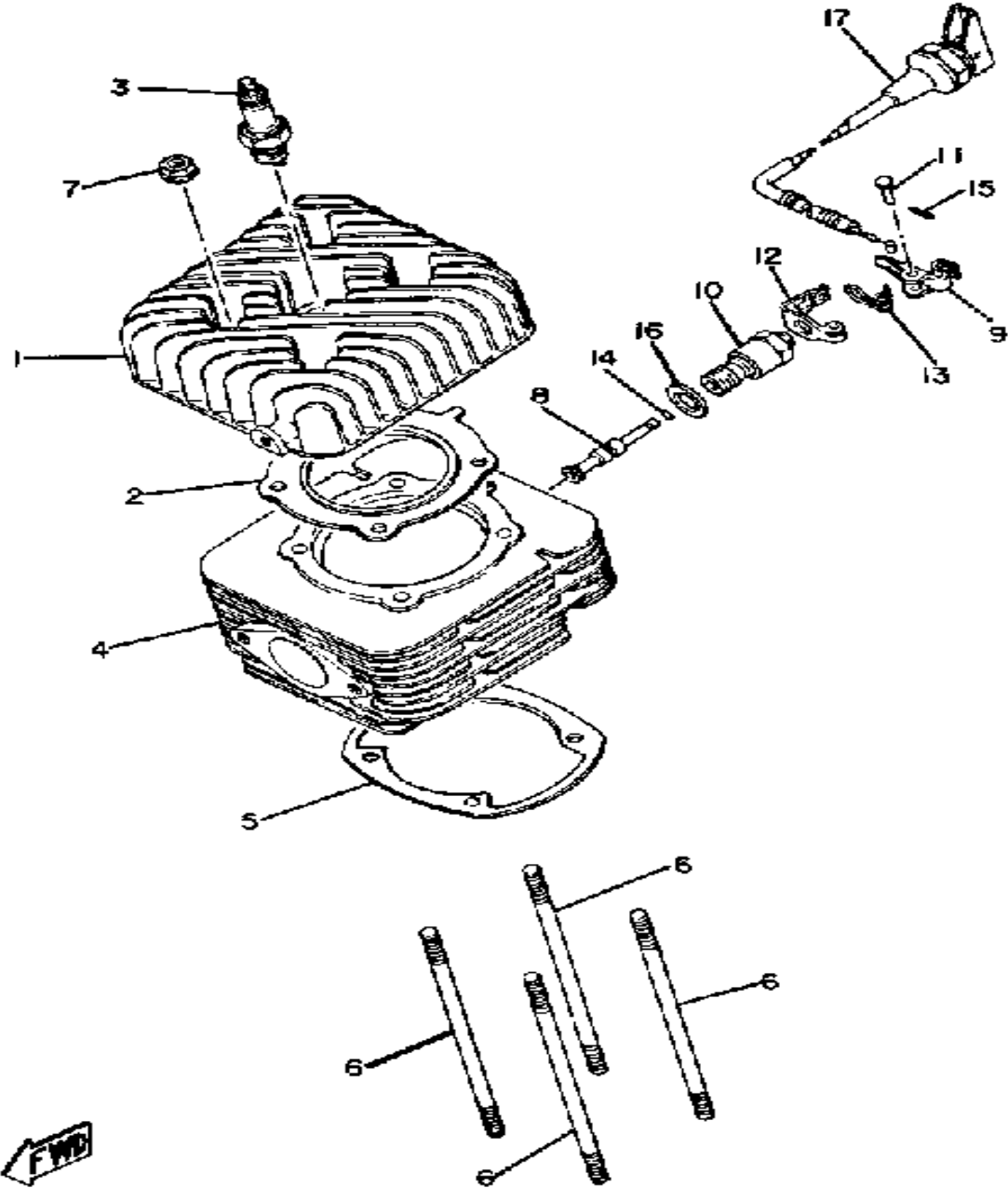
CRANKCASE ET250D - E



Ref. No.	Part Number	Description	Qty	Remarks
1	8H4-15100-00-00	CRANKCASE ASSEMBLY	1	
2	99530-10014-00	. PIN, DOWEL	2	
3	J38-11116-00-00	JOINT, BREATHER	1	
4	98580-06545-00	SCREW PAN HEAD (92503-06045)	5	
5	98580-06055-00	SCREW, pan head (92501-06065-00)	1	
6	98580-06565-00	SCREW, PAN HEAD (92501-06065)	1	
7	90106-10034-00	BOLT, DOME HEAD	4	
8	92990-10100-00	WASHER, SPRING	4	

Property of www.SmallEngineDiscount.com - Not for Resale

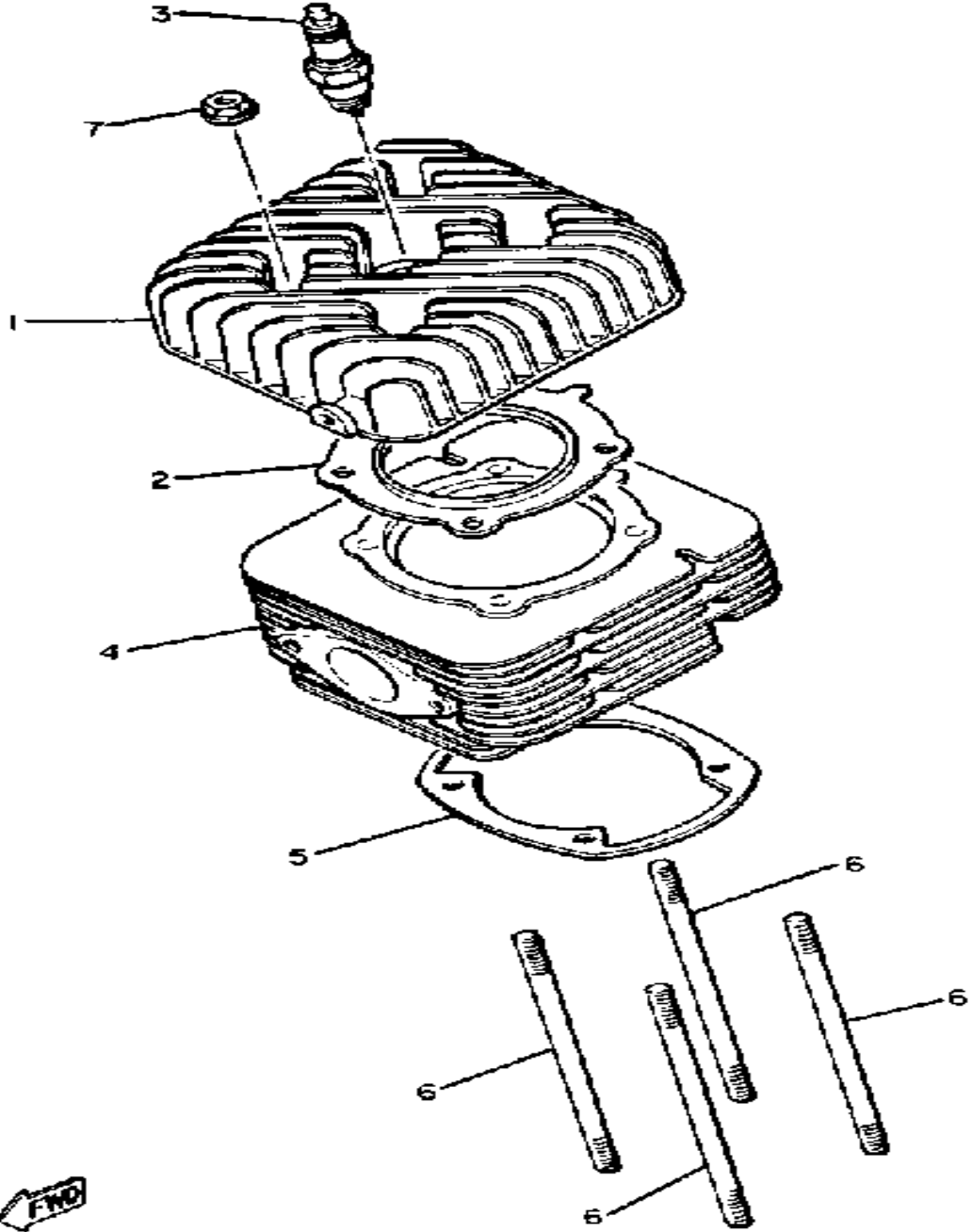
CYLINDER ET250D



Ref. No.	Part Number	Description	Qty	Remarks
1	8G5-11111-00-00	HEAD, CYLINDER 1	1	
2	8F3-11181-00-00 (881-11181-00)	GASKET, CYLINDER HEAD 1	1	
3	NGK-B8HS0-00-00	PLUG, SPARK	1	
4	8F3-11311-00-00	CYLINDER 1	1	
5	881-11351-01-00	GASKET, CYLINDER	1	
6	90116-08254-00	BOLT, STUD	4	
7	95701-08500-00	NUT, FLANGE	4	
8	822-12281-00-00	VALVE, DCOMP	1	
9	275-12282-01-00	LEVER, DCOMP	1	
10	822-12283-00-00	BRACKET, DCOMP	1	
11	90240-03002-00	PIN, CLEVIS	1	
12	812-12273-00-00	HOLDER, CABLE	1	
13	90508-10183-00	SPRING, TORSION	1	
14	93210-04092-00	O-RING	1	
15	91490-16020-00	PIN, COTTER	1	
16	812-11198-00-00	GASKET	1	
17	8F3-12292-00-00	CABLE, DCOMP	1	

Property of www.SmallEngineDiscount.com - Not for Resale

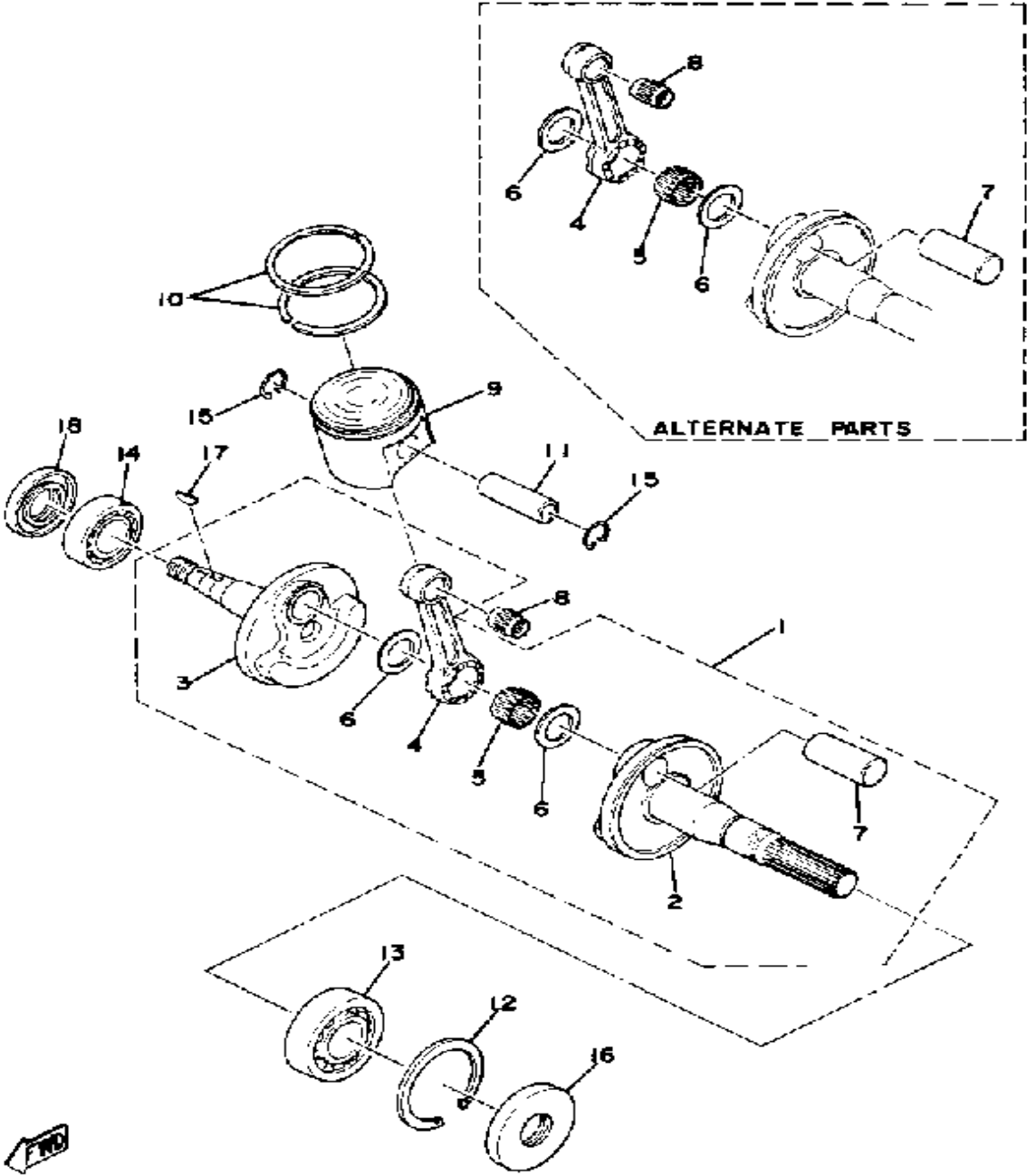
CYLINDER ET250E



Ref. No.	Part Number	Description	Qty	Remarks
1	8G5-11111-00-00	HEAD, CYLINDER 1	1	
2	8F3-11181-00-00	GASKET, CYLINDER HEAD 1 (881-11181-00)	1	
3	NGK-B8HS0-00-00	PLUG, SPARK	1	
4	(8L2-11311-00-00)	CYLINDER 1	1	
5	881-11351-01-00	GASKET, CYLINDER	1	
6	90116-08254-00	BOLT, STUD	4	
7	95701-08500-00	NUT, FLANGE	4	

Property of www.SmallEngineDiscount.com - Not for Resale

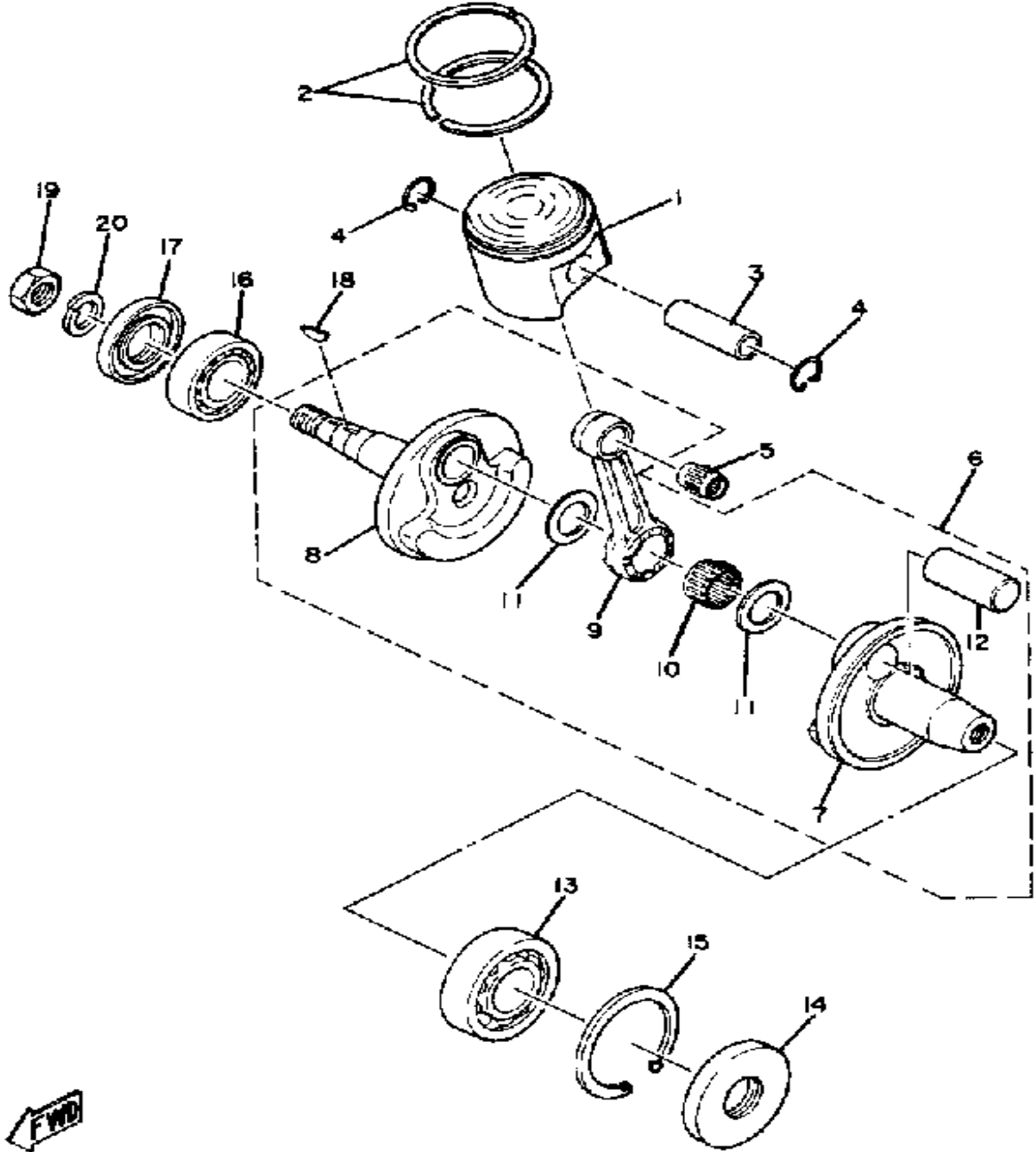
CRANKSHAFT - PISTON ET250C



Ref. No.	Part Number	Description	Qty	Remarks
1	8F3-11400-00-00	CRANKSHAFT ASSEMBLY ...	1	
2	(8F3-11412-00-00)	CRANK 1	1	
3	(8F3-11422-00-00)	CRANK 2	1	
4	881-11651-00-00	. ROD, CONNECTING	1	
5	93310-42497-00	. BEARING, CYLINDER.# 0 ...	1	
6	90209-24073-00	. WASHER	2	
7	857-11681-00-00	. PIN, CRANK 1	1	
8	93310-218A6-00	BEARING	1	
9	(8G5-11637-01-00)	PISTON 3 O/S 0.5	1	ALT. PART
	(8G5-11638-01-00)	PISTON 4 O/S 1.0	1	ALT. PART
	8G5-11631-01-96	PISTON STD (STD)	1	
	8G5-11635-01-00	PISTON 1 O/S 0.25 (1ST O/S 0.25MM)	1	ALT. PART
	8G5-11636-01-00	PISTON 2 O/S 0.50 (2ND O/S 0.50MM)	1	ALT. PART
10	8F3-11601-00-00	PISTON RINGSET STD	1	
	8F3-11601-10-00	PISTON RINGSET 1ST	1	ALT. PART
	8F3-11601-20-00	PISTON RINGSET 2ND	1	ALT. PART
	8F3-11601-30-00	PISTON RINGSET 3RD	1	ALT. PART
	8F3-11601-40-00	PISTON RINGSET 4TH	1	ALT. PART
11	818-11633-00-00	PIN, PISTON	1	
12	93450-72048-00	CIRCLIP, INNER	1	
13	93306-30605-00	BEARING	1	
14	93306-20613-00	BEARING (B6203)	1	
15	93450-20026-00	CIRCLIP	2	
16	93102-32161-00	OIL SEAL, SD-TYPE (FPJ-32-72-8-1 TS)	1	
17	90280-16053-00	KEY, WOODRUFF	1	
18	93102-30128-00	OIL SEAL, SD-TYPE	1	

Property of www.SmallEngineDiscount.com - Not for Resale

CRANKSHAFT - PISTON ET250D\I



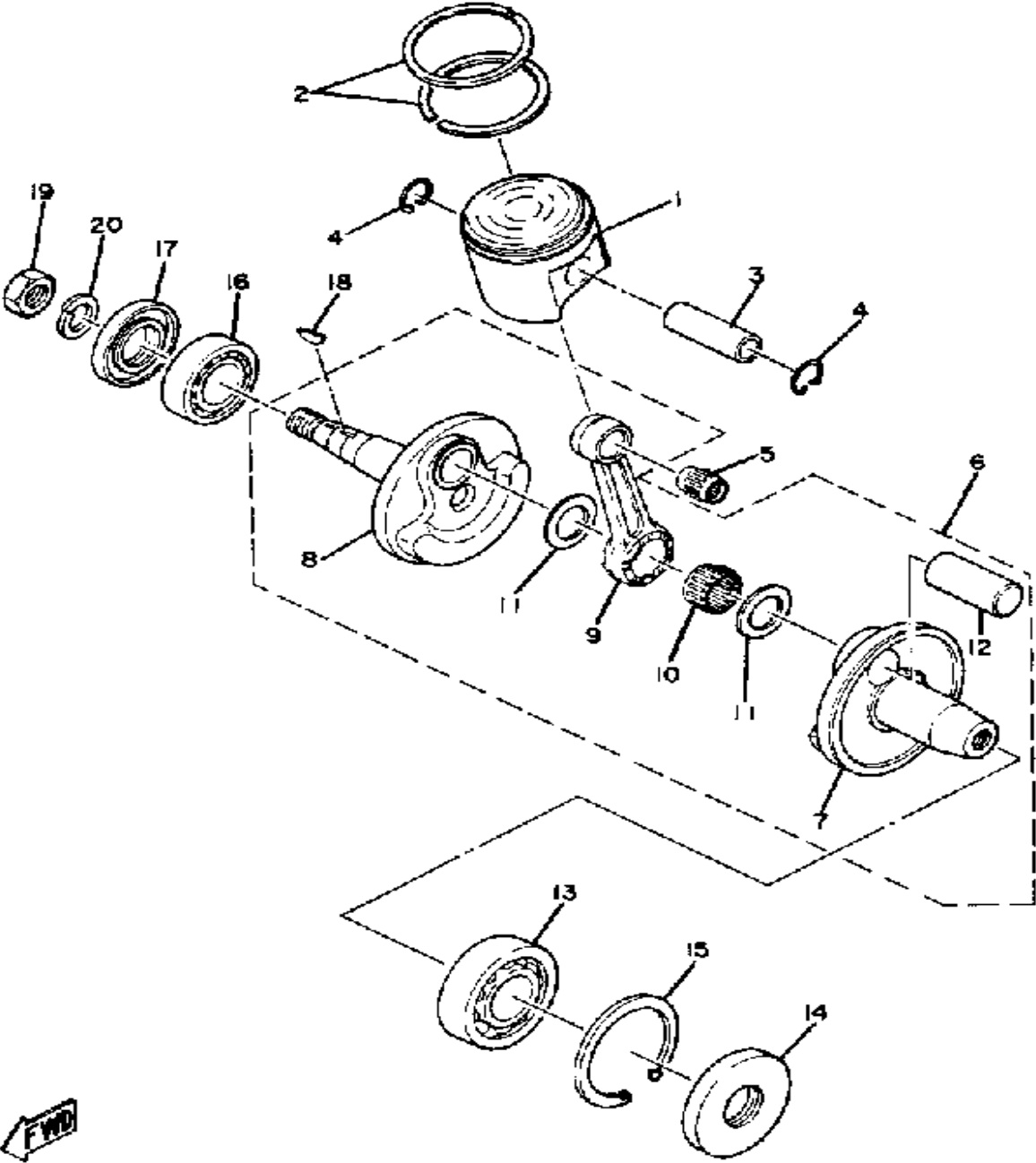
Ref. No.	Part Number	Description	Qty	Remarks
1	(8G5-11637-01-00)	PISTON 3 O/S 0.5	1	ALT. PART
	(8G5-11638-01-00)	PISTON 4 O/S 1.0	1	ALT. PART
	8G5-11631-01-96	PISTON STD (STD)	1	
	8G5-11635-01-00	PISTON 1 O/S 0.25 (1ST O/S 0.25MM)	1	ALT. PART
	8G5-11636-01-00	PISTON 2 O/S 0.50 (2ND O/S 0.50MM)	1	ALT. PART
2	8F3-11601-00-00	PISTON RINGSET STD	1	STD
	8F3-11601-10-00	PISTON RINGSET 1ST	1	ALT. PART
	8F3-11601-20-00	PISTON RINGSET 2ND	1	ALT. PART
	8F3-11601-30-00	PISTON RINGSET 3RD	1	ALT. PART
	8F3-11601-40-00	PISTON RINGSET 4TH	1	ALT. PART
3	818-11633-00-00	PIN, PISTON	1	
4	93450-20026-00	CIRCLIP	2	
5	93310-218A6-00	BEARING	1	
6	8J2-11400-00-00	CRANKSHAFT ASSEMBLY	1	
7	J10-11412-00-00	. CRANK 1	1	
8	(8F3-11422-00-00)	CRANK 2	1	
9	881-11651-00-00	. ROD, CONNECTING	1	
10	93310-42497-00	. BEARING, CYLINDER.# 0	1	
11	90209-24073-00	. WASHER	2	
12	857-11681-00-00	. PIN, CRANK 1	1	
13	93306-30617-00	BEARING (B6306)	1	
14	93102-30188-00	OIL SEAL, SD-TYPE	1	
15	93450-72048-00	CIRCLIP, INNER	1	
16	93306-20613-00	BEARING (B6203)	1	
17	93102-30128-00	OIL SEAL, SD-TYPE	1	
18	90280-16053-00	KEY, WOODRUFF	1	
19	90170-16182-00	NUT	1	

CONTINUED ON NEXT FRAME ►

Property of www.SmallEngineDiscount.com - Not for Resale

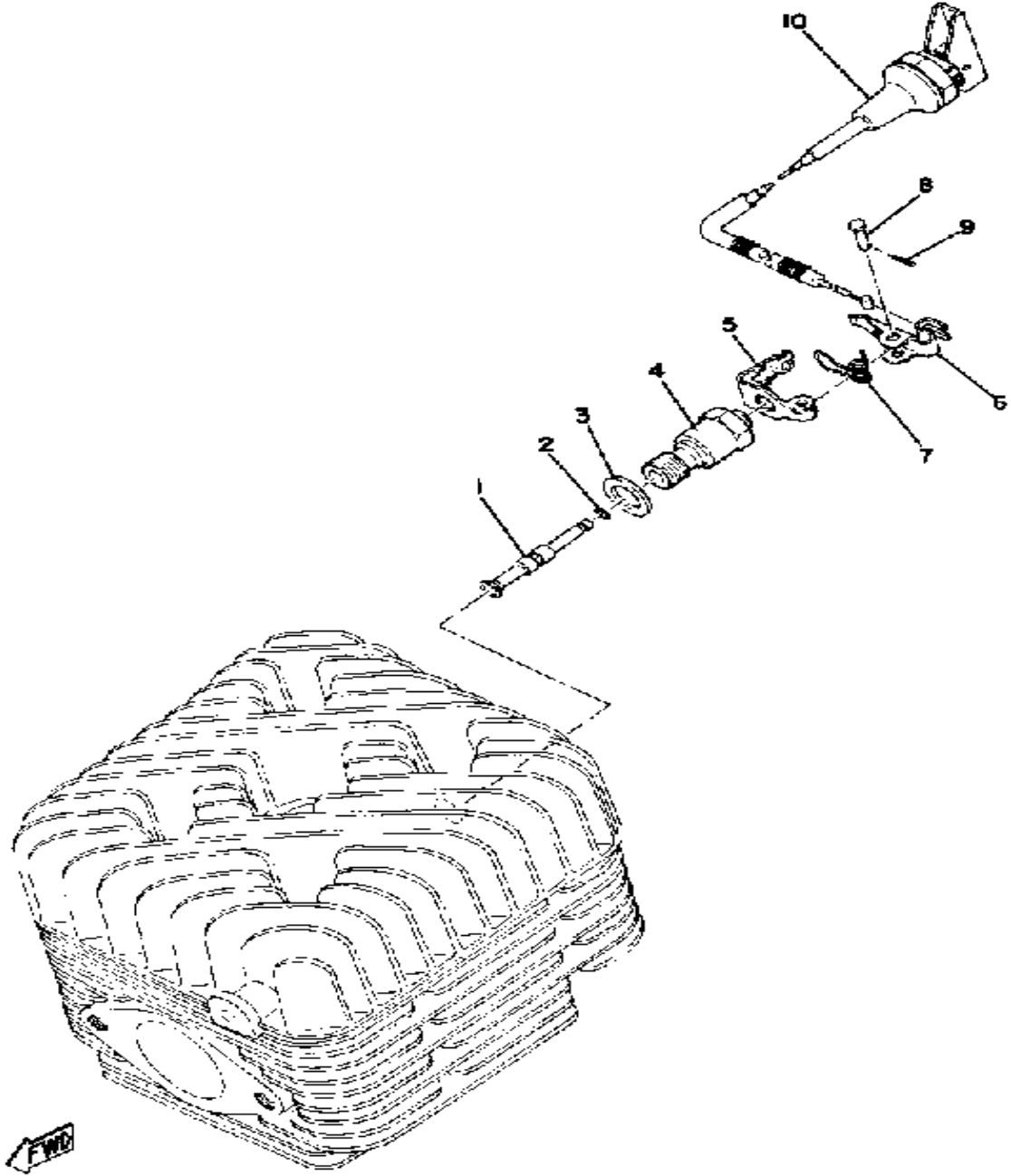
CRANKSHAFT - PISTON ET250D\E

Ref. No.	Part Number	Description	Qty	Remarks
20	92901-16100-00	WASHER, SPRING	1	



Property of www.SmallEngineDiscount.com - Not for Resale

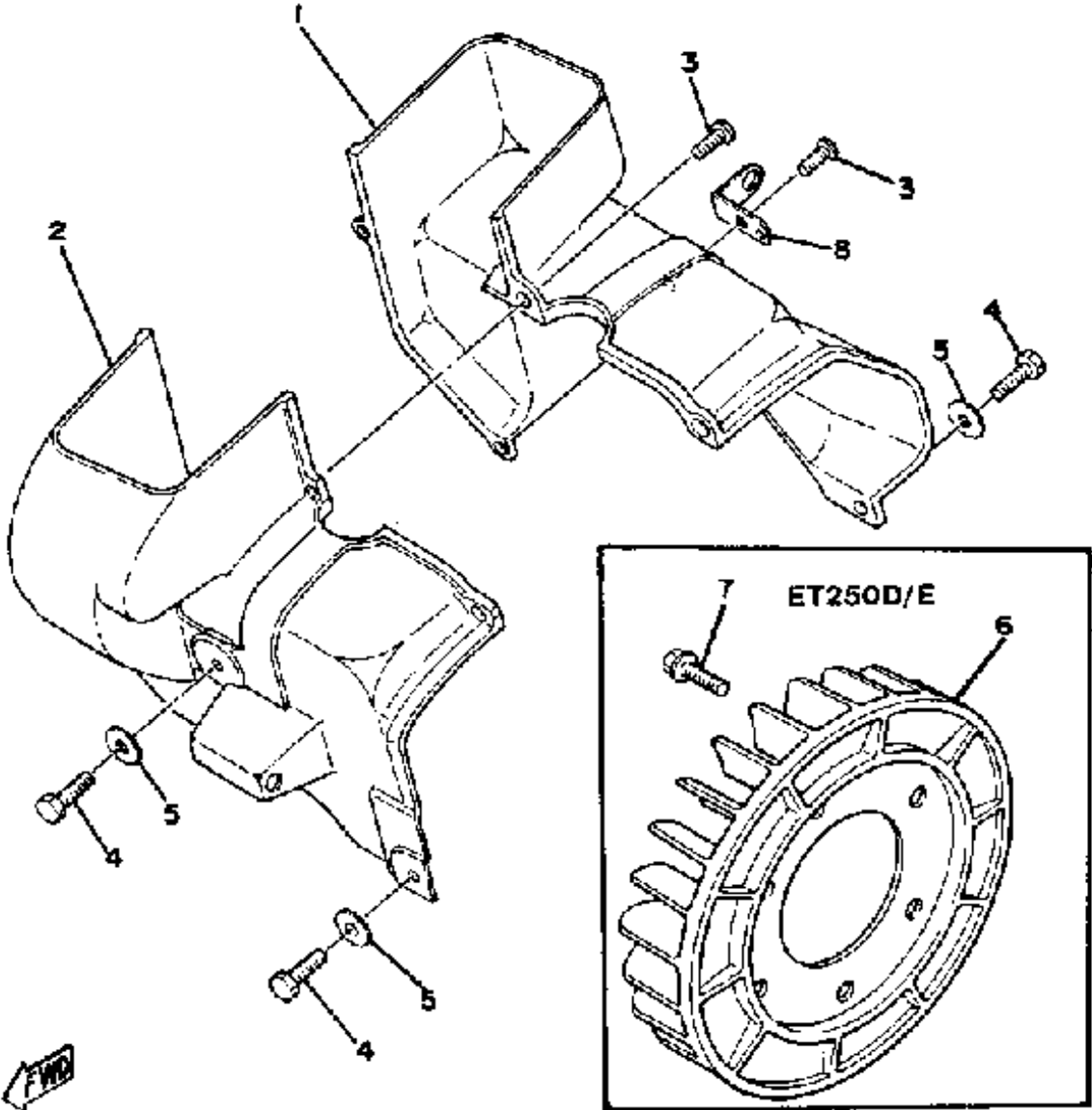
DECOMPRESSION VALVE ET250C



Ref. No.	Part Number	Description	Qty	Remarks
1	822-12281-00-00	VALVE, DCOMP	1	
2	93210-04092-00	O-RING	1	
3	812-11198-00-00	GASKET	1	
4	822-12283-00-00	BRACKET, DCOMP	1	
5	812-12273-00-00	HOLDER, CABLE	1	
6	275-12282-01-00	LEVER, DCOMP	1	
7	90508-10183-00	SPRING, TORSION	1	
8	90240-03002-00	PIN, CLEVIS	1	
9	91490-16020-00	PIN, COTTER	1	
10	8F3-12292-00-00	CABLE, DCOMP	1	

Property of www.SmallEngineDiscount.com - Not for Resale

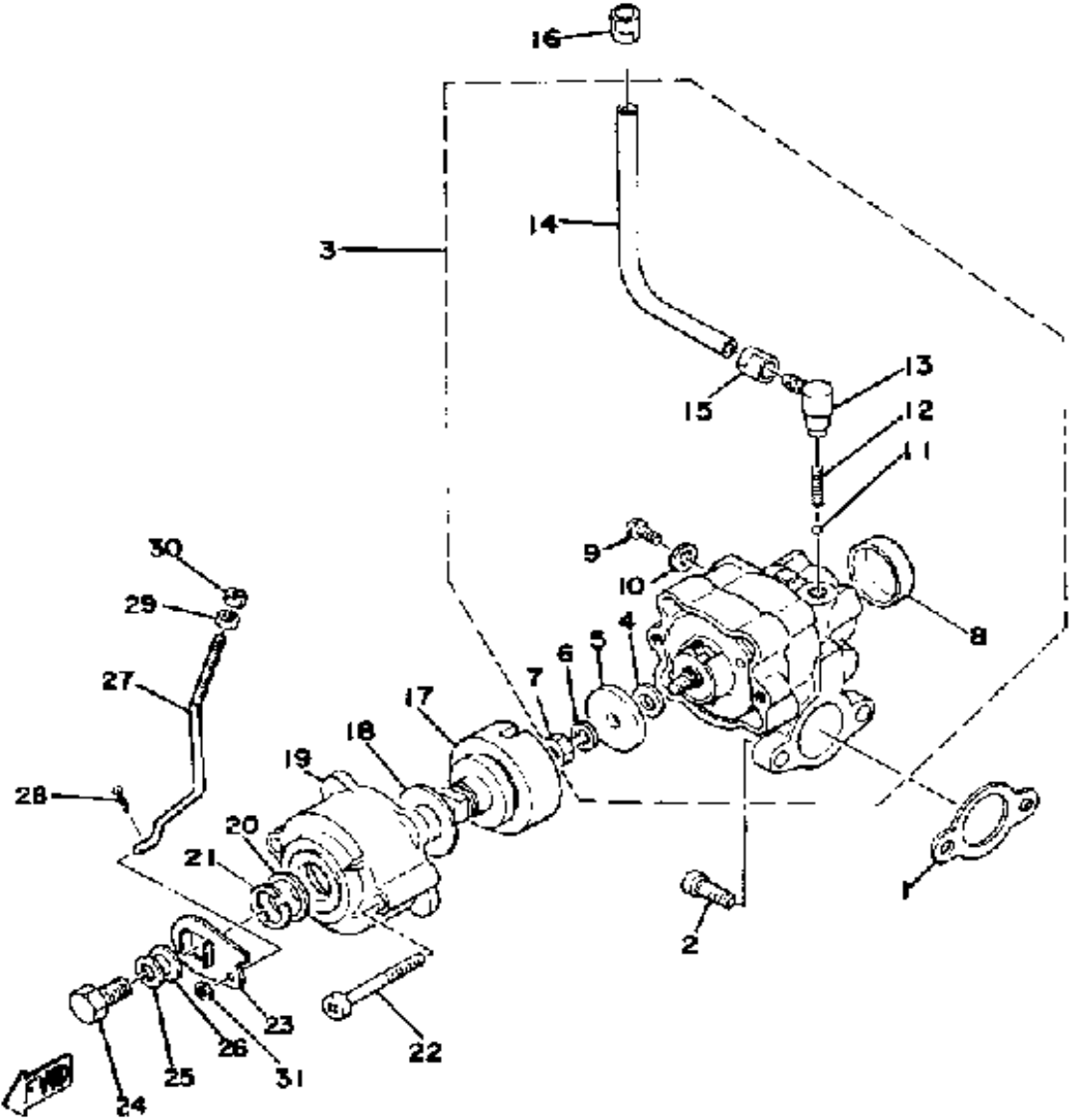
AIR SHROUD - FAN ET250C\D\E



Ref. No.	Part Number	Description	Qty	Remarks
1	8F3-12651-01-00	AIR SHROUD, CYLINDER 1 ...	1	
2	8F3-12652-00-00	AIR SHROUD, CYLINDER 2 ...	1	
3	98516-06012-00	SCREW, PAN HEAD	4	
	98580-06012-00	SCREW, PAN HEAD	1	
4	97313-06016-00	BOLT, HEXAGON	1	
	97313-06016-00	BOLT, HEXAGON	4	
5	90201-06059-00	WASHER, PLATE	3	
6	8G8-12611-01-00	FAN	1	
7	95811-06012-00	BOLT, FLANGE	6	
8	8H4-77125-00-00	STAY 1	1	

Property of www.SmallEngineDiscount.com - Not for Resale

OIL PUMP ET250C

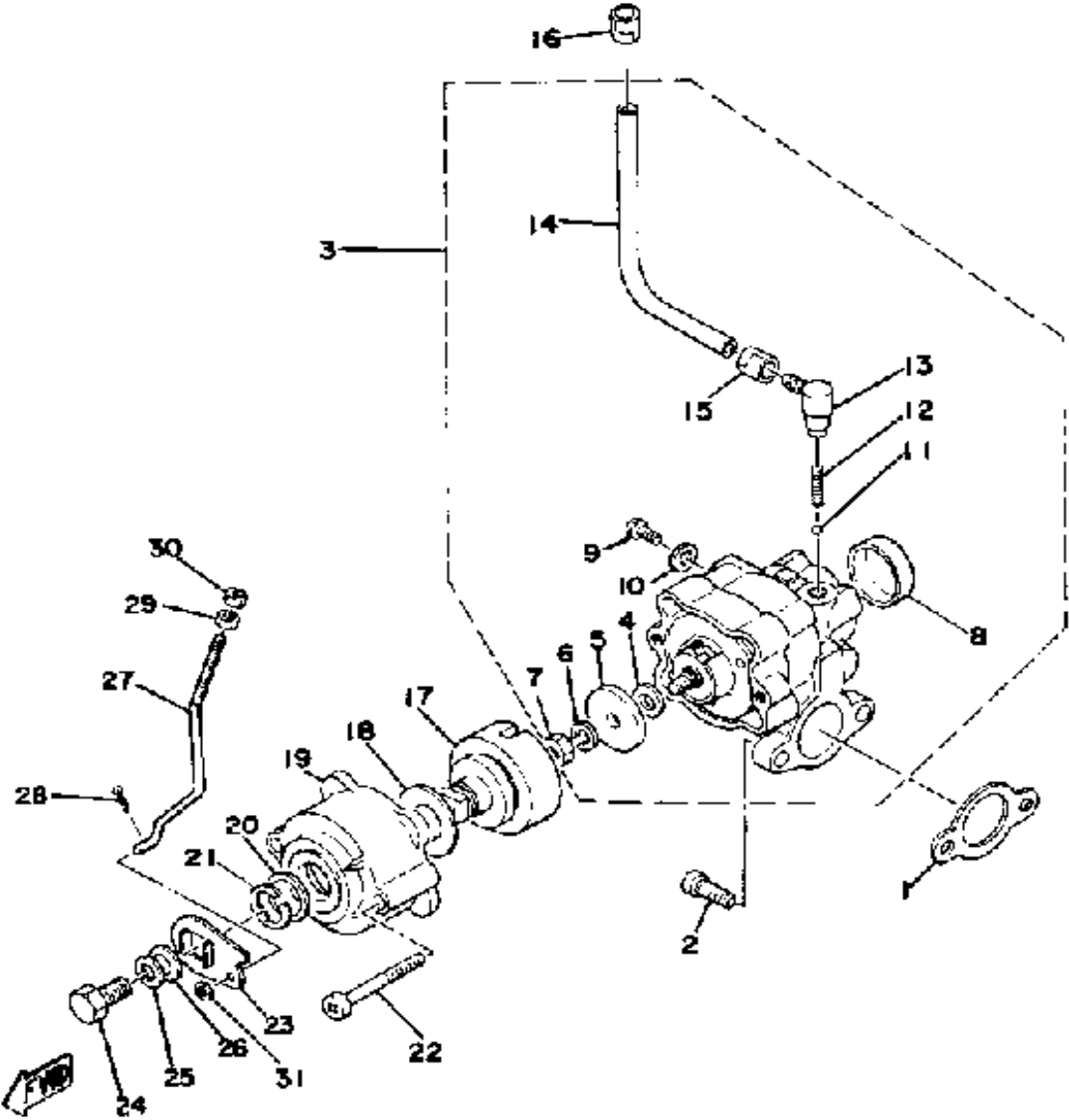


Ref. No.	Part Number	Description	Qty	Remarks
1	126-13116-00-00	GASKET, PUMP CASE	1	
2	98580-05016-00	SCREW, PAN HEAD	2	
3	(8F3-13101-01-00)	OIL PUMP ASSEMBLY	1	
4	137-13137-00-03	. SHIM (0.3T)	1	U.R.
	137-13137-00-05	. SHIM (0.5T)	1	U.R.
	137-13137-00-10	. SHIM (1.0T)	1	U.R.
5	137-13138-01-00	. PLATE, ADJUSTING	1	
6	92990-05100-00	. WASHER, SPRING	1	
7	95380-05600-00	. NUT	1	
8	90338-21100-00	. PLUG	1	
9	98901-04008-00	. SCREW, BIND	1	
10	90430-04004-00	. GASKET	1	
11	93505-32002-00	. BALL	1	
12	90501-02018-00	. SPRING, COMPRESSION	1	
13	353-13552-01-00	. NOZZLE	1	
14	90445-05201-00	. HOSE	1	
15	90468-02033-00	. CLIP	1	
16	90468-02033-00	CLIP	1	
17	860-13153-00-00	SHAFT, PUMP CONTROL	1	
18	860-13119-00-00	SEAL, GREASE	1	
19	(812-13146-00-00)	COVER, AJST PULLEY	1	
20	(812-13147-00-00)	SHIM	1	
21	99001-09600-00	CIRCLIP	1	
22	98511-04030-00	SCREW, PAN HEAD	2	
23	8G5-13156-00-00	LEVER, PUMP CONTROL	1	
24	97013-06012-00	BOLT	1	
25	92995-06100-00	WASHER, SPRING	1	
26	92990-06200-00	WASHER	1	
27	(8G5-13157-00-00)	ROD, PUMP CONTROL	1	

CONTINUED ON NEXT FRAME ➤

Property of www.SmallEngineDiscount.com - Not for Resale

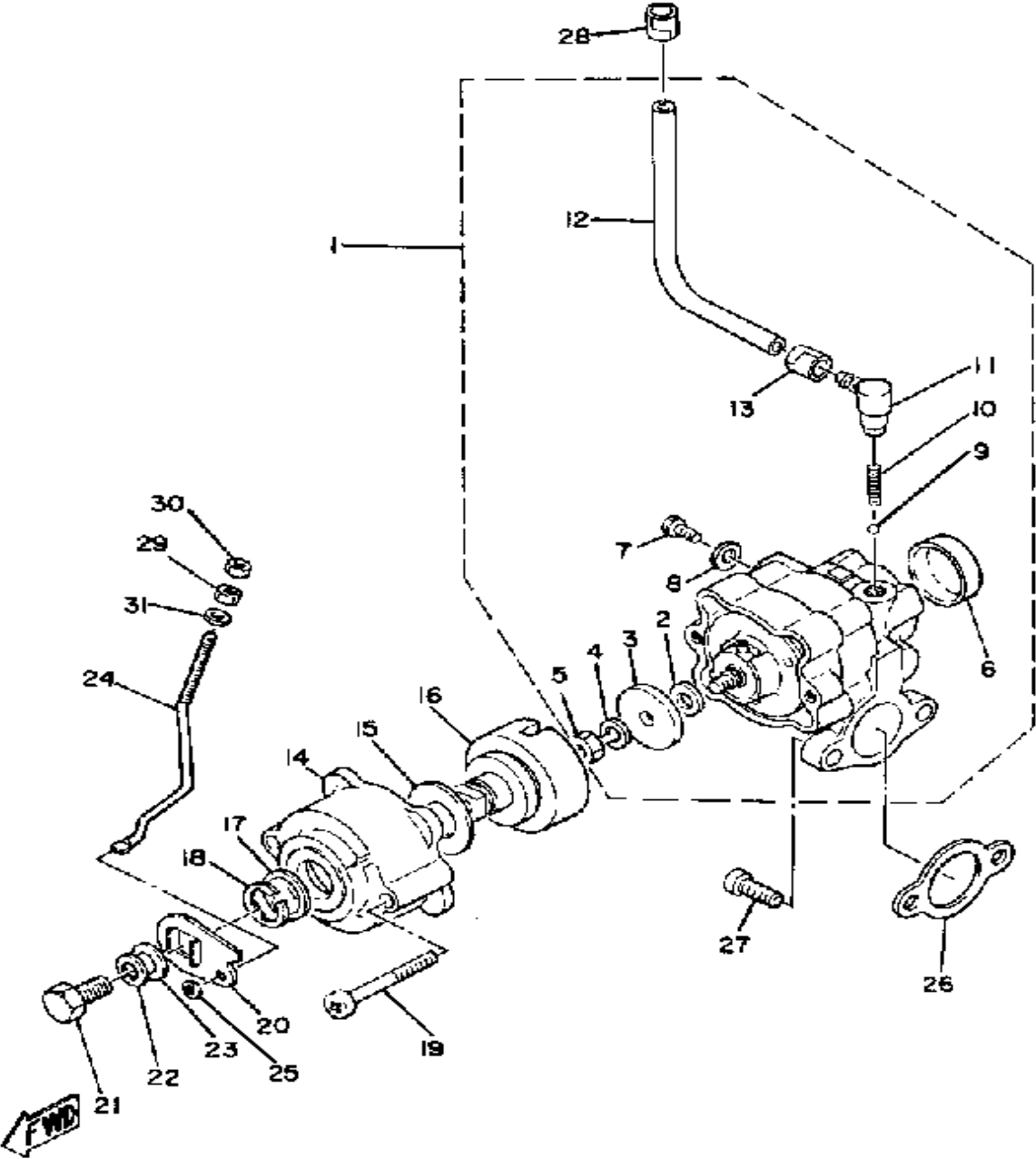
OIL PUMP ET250C



Ref. No.	Part Number	Description	Qty	Remarks
28	91490-12012-00	PIN, COTTER	1	
29	90170-03008-00	NUT, HEXAGON (807-13139-00)	1	
30	90185-03007-00	NUT, SELF-LOCKING (838-13139-00)	1	
31	92990-04200-00	WASHER, PLAIN	1	

Property of www.SmallEngineDiscount.com - Not for Resale

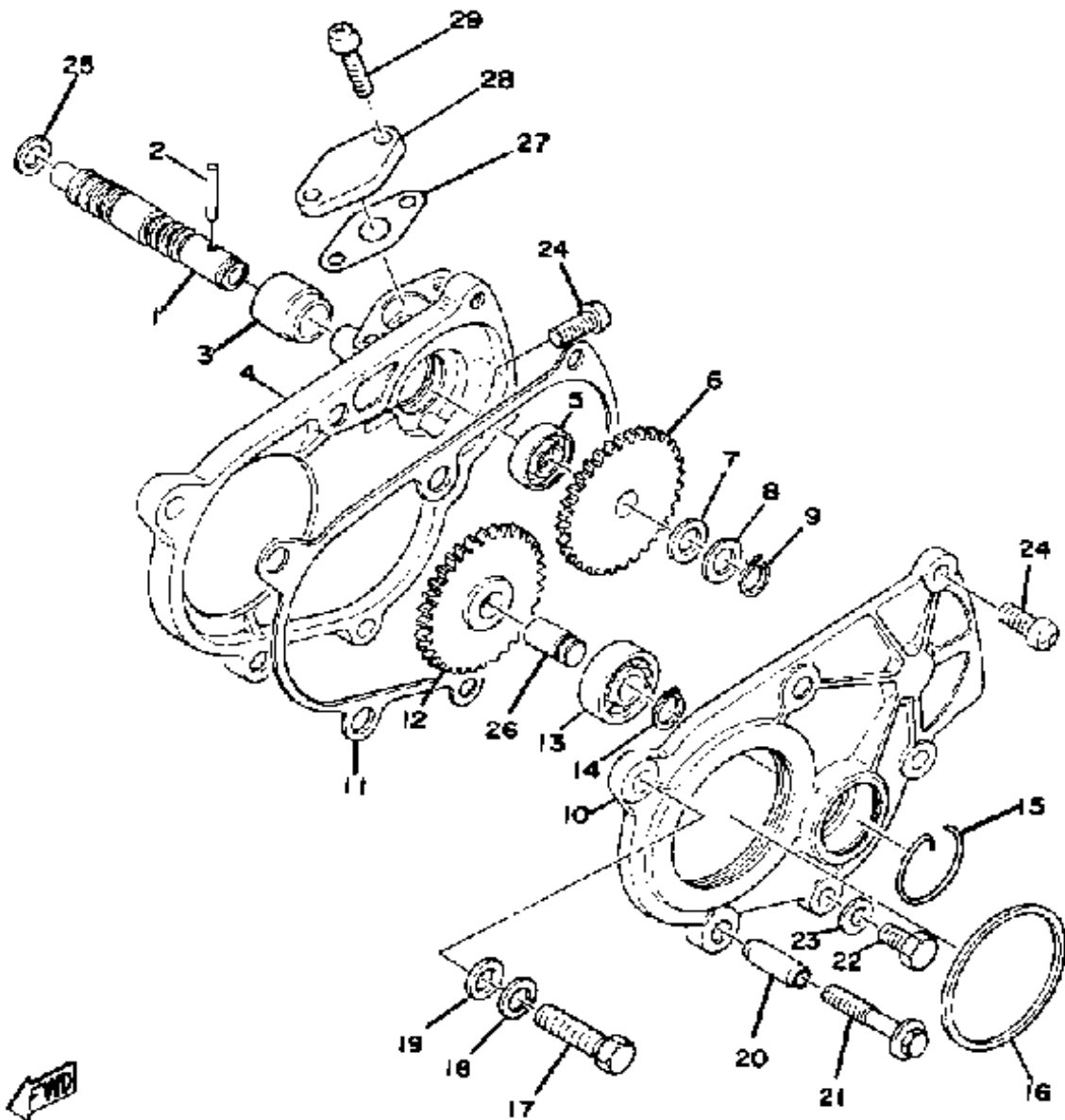
OIL PUMP ET250D\E



Ref. No.	Part Number	Description	Qty	Remarks
27	98580-05016-00	SCREW, PAN HEAD	2	
28	90468-02033-00	CLIP	1	
29	90170-03008-00	NUT, HEXAGON (807-13139-00)	1	
30	90185-03007-00	NUT, SELF-LOCKING (838-13139-00)	1	
31	92990-04200-00	WASHER, PLAIN	1	

Property of www.SmallEngineDiscount.com - Not for Resale

PUMP DRIVE - GEAR ET250C

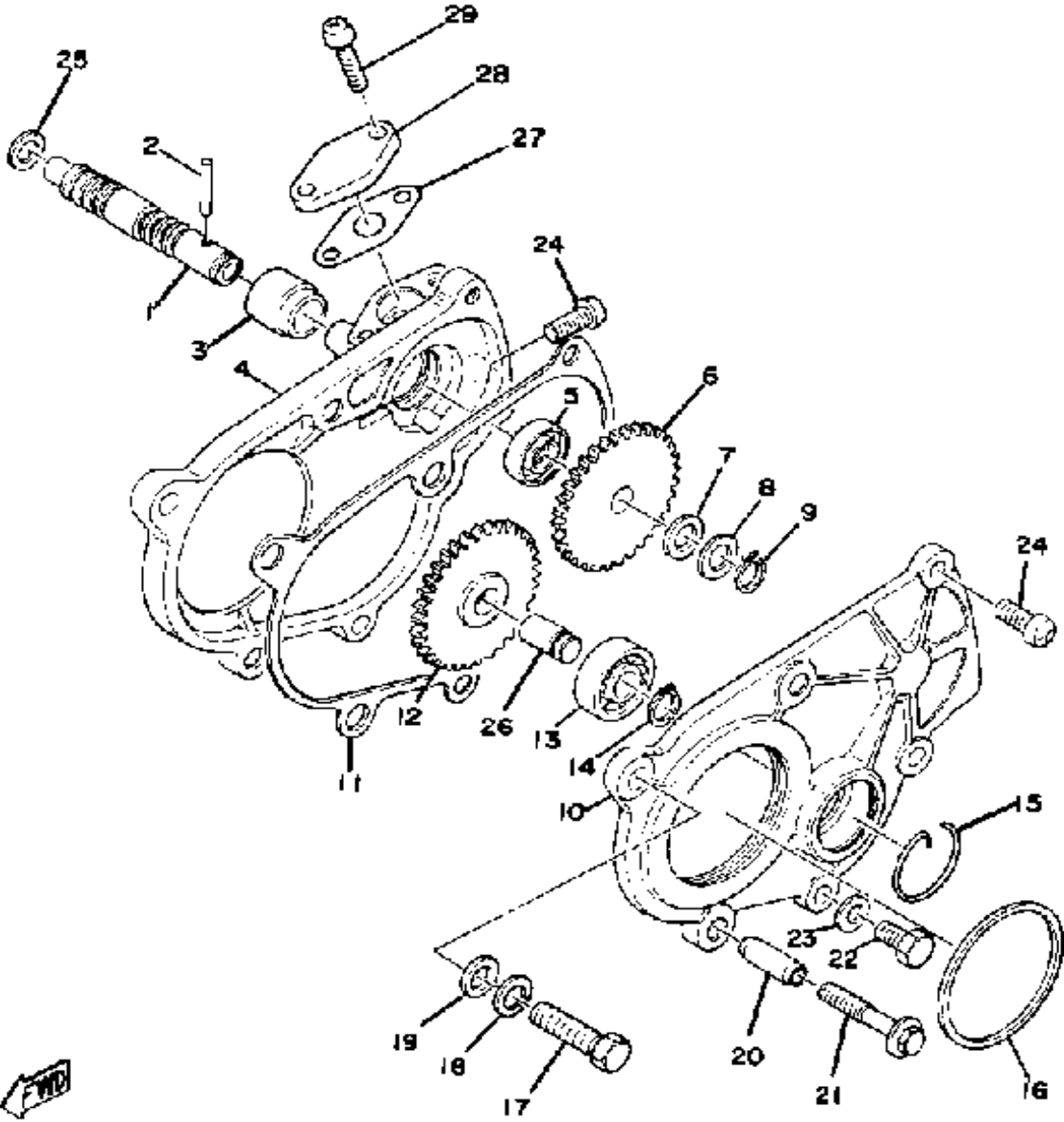


Ref. No.	Part Number	Description	Qty	Remarks
1	860-13175-00-00	SHAFT, WORM	1	
2	93603-22028-00	PIN, DOWEL	1	
3	821-13176-00-00	METAL, WORM SHAFT OUTER	1	
4	(839-15416-00-00)	COVER, OIL PUMP	1	
5	93101-10090-00	OIL SEAL	1	
6	821-13188-00-00	GEAR, DRIVE (32T)	1	
7	90206-11016-00	WASHER, WAVE	1	
8	137-13148-00-00	PLATE, CAM THRUST	1	
9	99009-10400-00	CIRCLIP	1	
10	8F3-15426-00-00	COVER, OIL PUMP R	1	
11	860-15466-00-00	GASKET 2	1	
12	(8F3-13179-01-00)	GEAR, IDLE	1	
13	93306-00003-00	BEARING (B6000RS)	1	
14	99009-10400-00	CIRCLIP	1	
15	(90468-12077-00)	CLIP	1	
16	93112-53004-00	OIL SEAL, SR-TYPE	1	
17	97313-08030-00	BOLT, HEXAGON	1	
18	92990-08100-00	WASHER	1	
19	92901-08600-00	WASHER	1	
20	91810-18022-00	PIN, DOWEL	2	
21	95811-06035-00	BOLT, FLANGE	2	
22	97011-06025-00	BOLT (97001-06025)	1	
23	90201-07076-00	WASHER, PLATE	1	
24	98503-06014-00	SCREW, PAN HEAD (92502-06016)	3	
25	90201-08624-00	WASHER, PLATE	1	
26	8F3-13342-00-00	SHAFT, IDLE GEAR	1	
27	821-17818-02-00	GASKET	1	
28	824-17819-00-00	CAP, HOUSING	1	

CONTINUED ON NEXT FRAME ►

Property of www.SmallEngineDiscount.com - Not for Resale

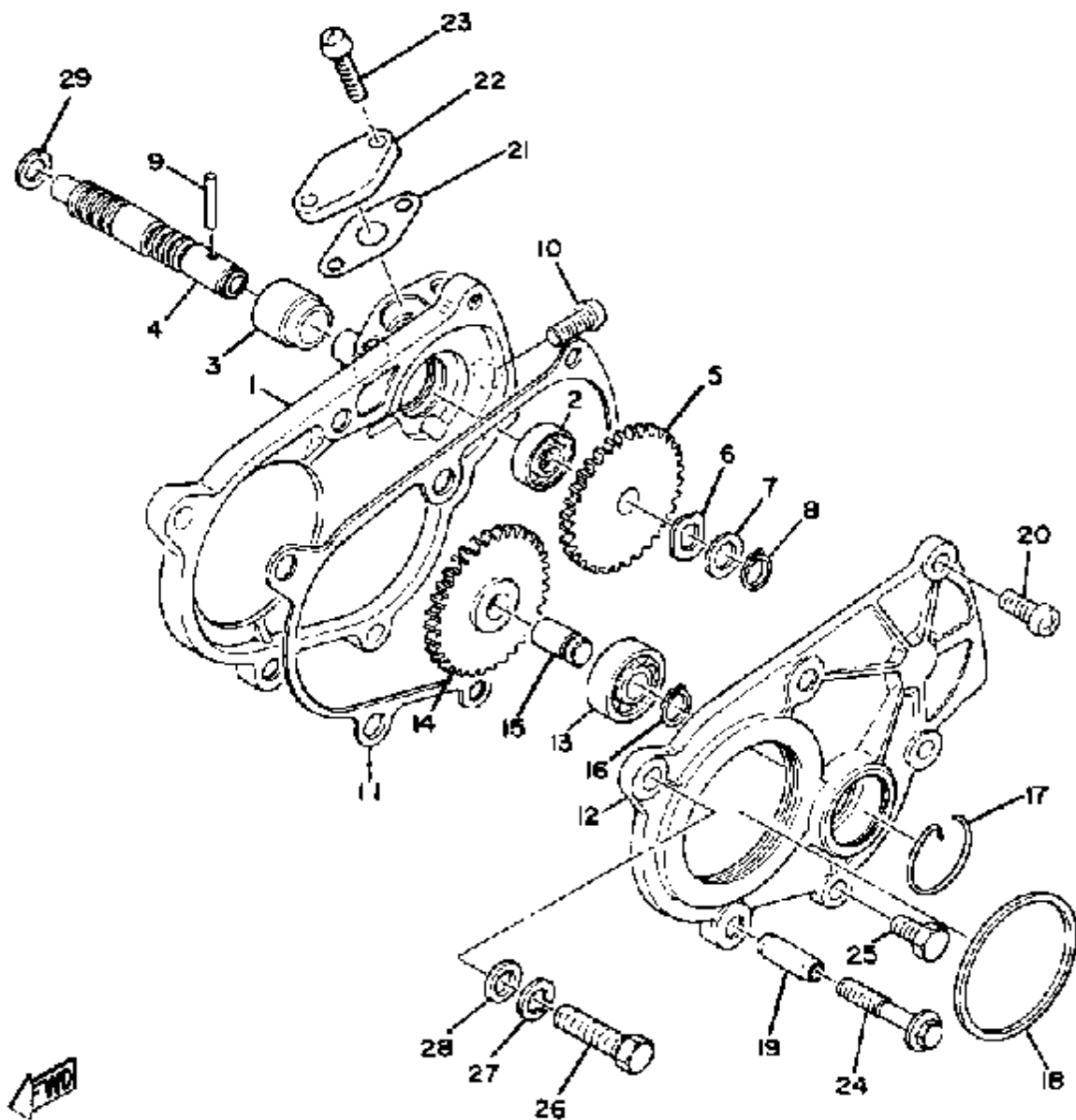
PUMP DRIVE - GEAR ET250C



Ref. No.	Part Number	Description	Qty	Remarks
29	98580-05010-00	SCREW, PAN HEAD 2	

Property of www.SmallEngineDiscount.com - Not for Resale

PUMP DRIVE - GEAR ET250D\E

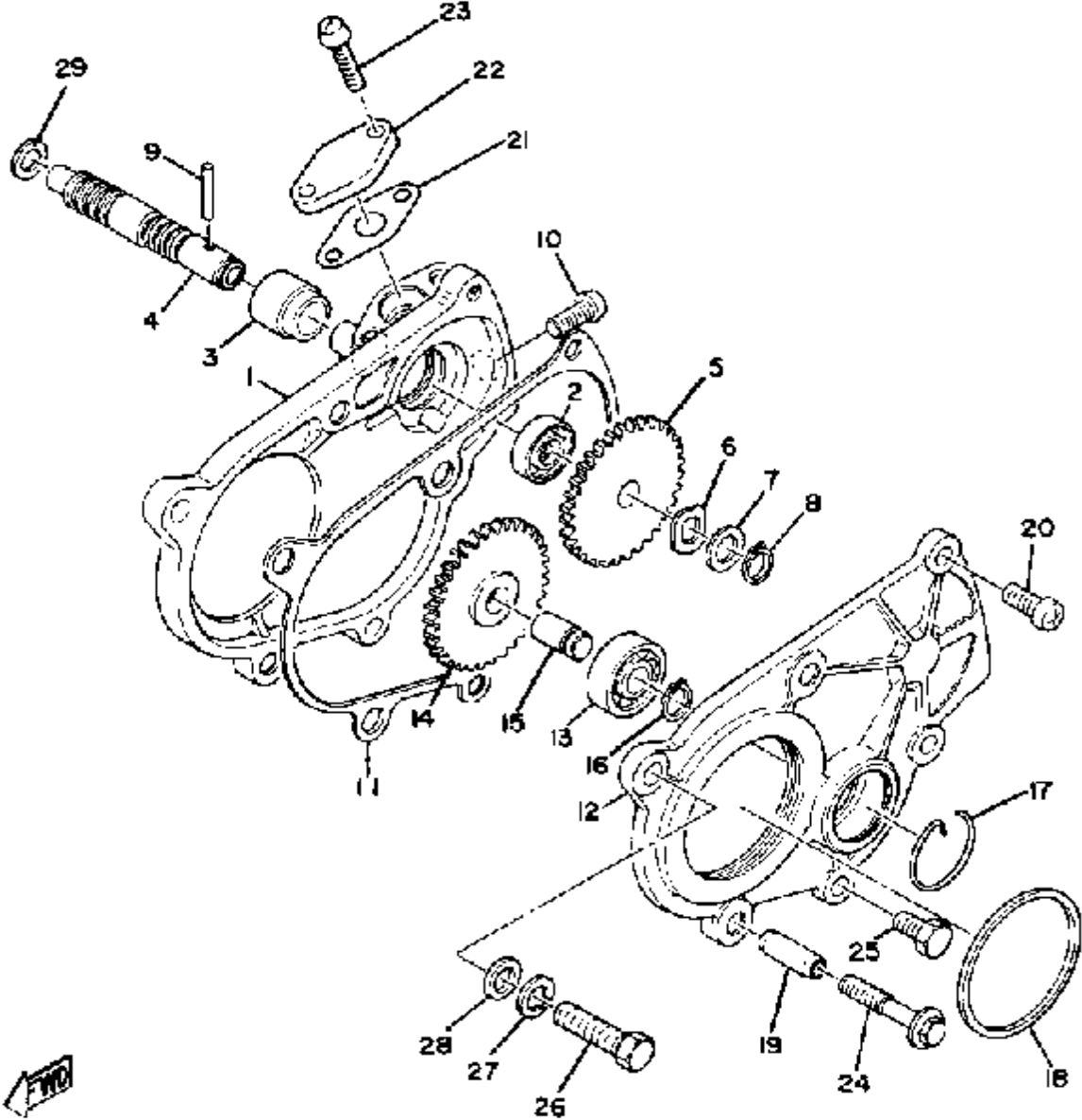


Ref. No.	Part Number	Description	Qty	Remarks
1	(839-15416-00-00)	COVER, OIL PUMP	1	
2	93101-10090-00	OIL SEAL	1	
3	821-13176-00-00	METAL, WORM SHAFT OUTER	1	
4	860-13175-00-00	SHAFT, WORM	1	
5	821-13188-00-00	GEAR, DRIVE (32T)	1	
6	90206-11016-00	WASHER, WAVE	1	
7	137-13148-00-00	PLATE, CAM THRUST	1	
8	99009-10400-00	CIRCLIP	1	
9	93603-22028-00	PIN, DOWEL	1	
10	98503-06014-00	SCREW, PAN HEAD (92502-06016)	1	
	98580-06012-00	SCREW, PAN HEAD	1	
11	860-15466-00-00	GASKET 2	1	
12	8F3-15426-00-00	COVER, OIL PUMP R	1	
13	93306-00003-00	BEARING (B6000RS)	1	
14	(8F3-13179-01-00)	GEAR, IDLE	1	
15	8F3-13342-00-00	SHAFT, IDLE GEAR	1	
16	99009-10400-00	CIRCLIP	1	
17	(90468-12077-00)	CLIP	1	
18	93112-53004-00	OIL SEAL, SR-TYPE	1	
19	91810-18022-00	PIN, DOWEL	2	
20	98503-06014-00	SCREW, PAN HEAD (92502-06016)	2	
21	821-17818-02-00	GASKET	1	
22	824-17819-00-00	CAP, HOUSING	1	
23	98580-05010-00	SCREW, PAN HEAD	2	
24	95811-06030-00	BOLT, FLANGE	2	
25	97011-06025-00	BOLT (97001-06025)	1	
26	97313-08030-00	BOLT, HEXAGON	1	

CONTINUED ON NEXT FRAME ►

Property of www.SmallEngineDiscount.com - Not for Resale

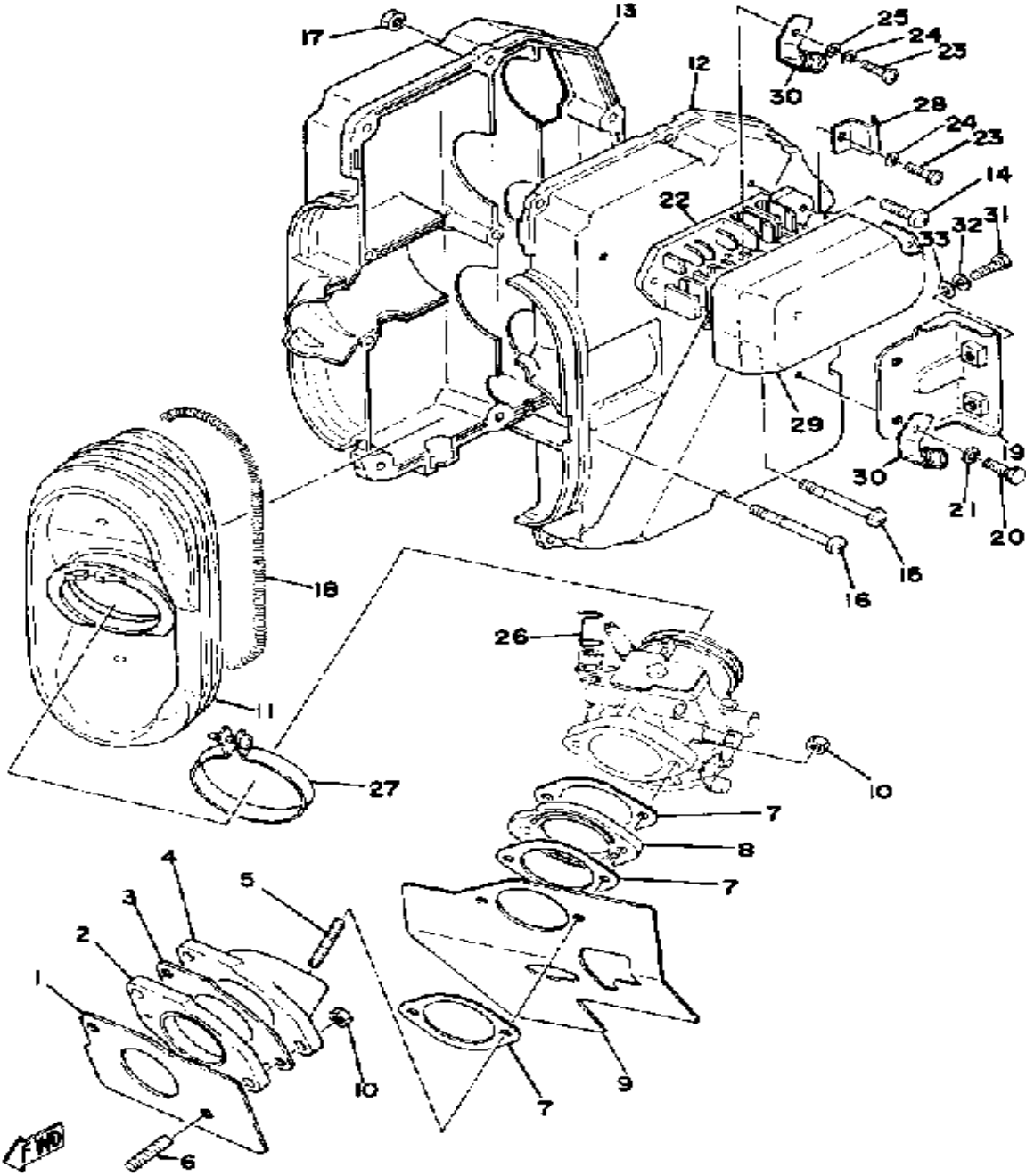
PUMP DRIVE - GEAR ET250D\E



Ref. No.	Part Number	Description	Qty	Remarks
27	92990-08100-00	WASHER	1	
28	92901-08600-00	WASHER	1	
29	90201-08624-00	WASHER, PLATE	1	

Property of www.SmallEngineDiscount.com - Not for Resale

INTAKE ET250C

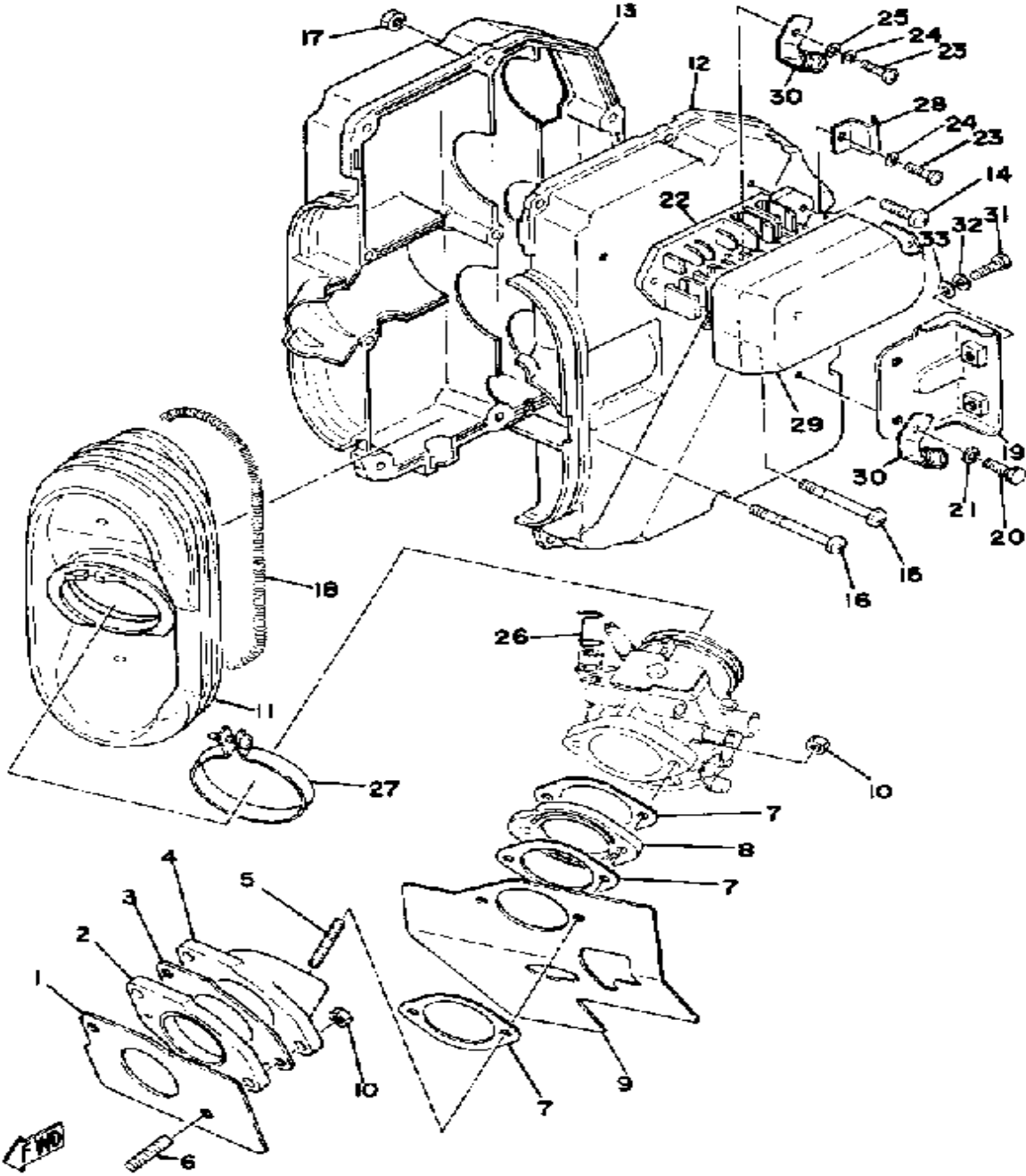


Ref. No.	Part Number	Description	Qty	Remarks
1	8G5-13556-00-00	GASKET, MANIFOLD	1	
2	8G5-13585-00-00	JOINT, CARBURETOR	1	
3	8G5-13563-00-00	GASKET	1	
4	8G5-13565-00-00	JOINT, CARBURETOR	1	
5	90116-08266-00	BOLT, STUD	2	
6	90116-08039-00	BOLT, STUD	2	
7	881-13556-00-00	GASKET, MANIFOLD	3	
8	8F3-13555-00-00	MANIFOLD, INTAKE	1	
9	8F3-13567-00-00	GASKET	1	
10	95303-08700-00	NUT	4	
11	8G5-14453-00-00	JOINT, AIR CLNR 1	1	
12	8F3-14431-00-00	SILENCER, INTAKE 1	1	
13	8F3-14441-00-00	SILENCER, INTAKE 2	1	
14	98580-05016-00	SCREW, PAN HEAD	6	
15	98501-05046-00	SCREW, PAN HEAD	1	
16	98501-05070-00	SCREW, PAN HEAD	2	
17	95380-05600-00	NUT	9	
18	90506-06153-00	SPRING, TENSION	1	
19	(8F3-14499-00-00)	STAY 2	1	
20	97013-06012-00	BOLT	2	
21	92995-06100-00	WASHER, SPRING	2	
22	8F3-21794-00-00	HOLDER, COUPLER	1	
23	98580-06018-00	SCREW, PAN HEAD	3	
24	92995-06100-00	WASHER, SPRING	3	
25	92901-06600-00	WASHER	1	
26	90465-10033-00	CLAMP	1	
27	90460-64065-00	CLAMP, HOSE	1	
28	(8G5-2175R-00-00)	HOOK, BANK	2	
29	8G5-2175N-00-00	COVER, FLANGE	1	

CONTINUED ON NEXT FRAME ➤

Property of www.SmallEngineDiscount.com - Not for Resale

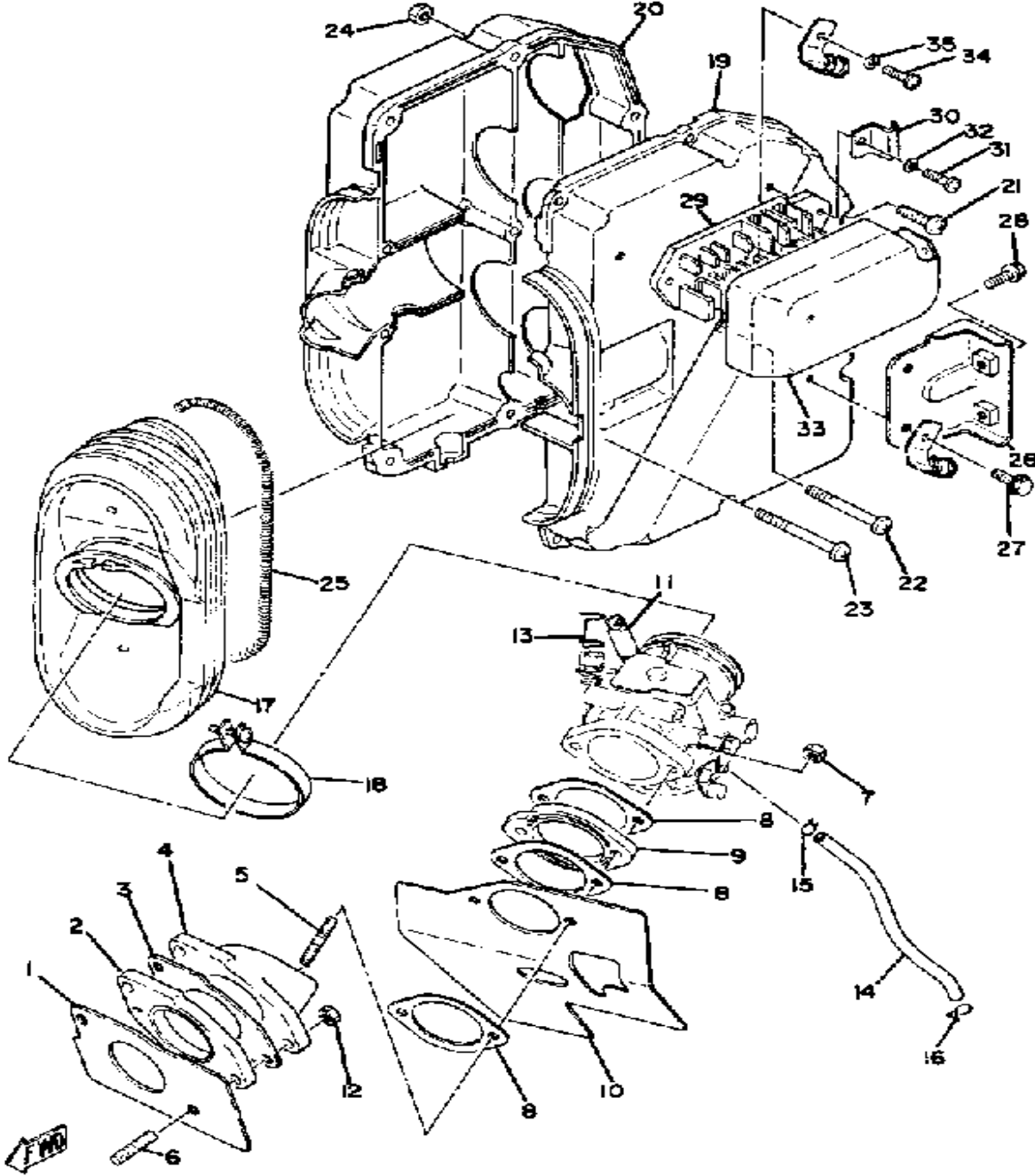
INTAKE ET250C



Ref. No.	Part Number	Description	Qty	Remarks
30	90465-06013-00	CLAMP	2	
31	97001-06018-00	BOLT	2	
32	92995-06100-00	WASHER, SPRING	2	
33	92901-06600-00	WASHER	2	

Property of www.SmallEngineDiscount.com - Not for Resale

INTAKE ET250D\E

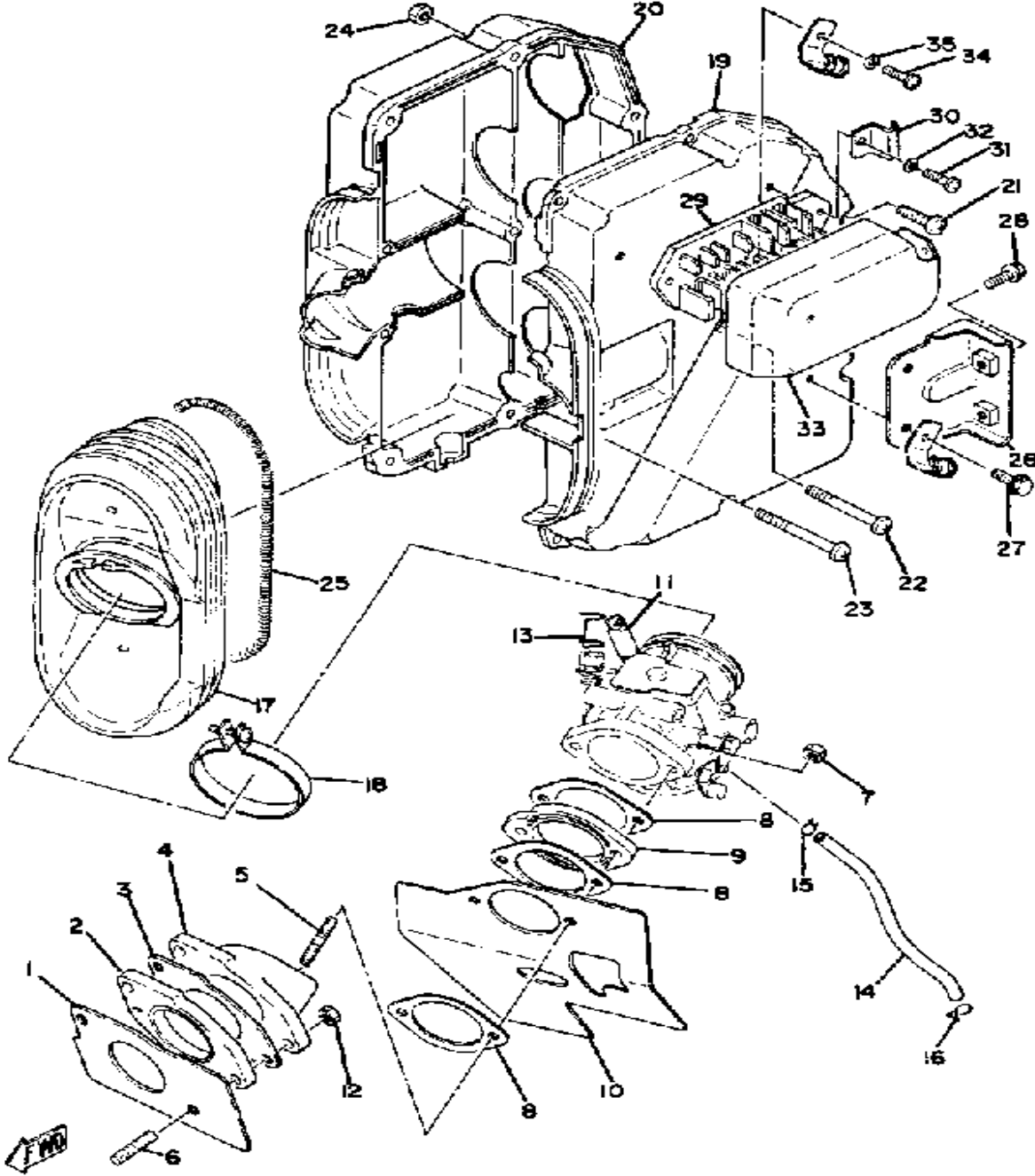


Ref. No.	Part Number	Description	Qty	Remarks
1	8G5-13556-00-00	GASKET, MANIFOLD	1	
2	8G5-13585-00-00	JOINT, CARBURETOR	1	
3	8G5-13563-00-00	GASKET	1	
4	8G5-13565-00-00	JOINT, CARBURETOR	1	
5	90116-08266-00	BOLT, STUD	2	
6	90116-08039-00	BOLT, STUD	2	
7	95303-08700-00	NUT	2	
8	881-13556-00-00	GASKET, MANIFOLD	3	
9	8F3-13555-00-00	MANIFOLD, INTAKE	1	
10	8F3-13567-00-00	GASKET	1	
11	8J5-26352-00-00	BOOT	1	
12	95303-08700-00	NUT	2	
13	90465-10033-00	CLAMP	1	
14	(90445-10138-00)	HOSE	1	
15	(90467-09036-00)	CLIP, SCISSOR	1	
16	90467-09006-00	CLIP	1	
17	8G5-14453-00-00	JOINT, AIR CLNR 1	1	
18	90460-64065-00	CLAMP, HOSE	1	
19	8F3-14431-00-00	SILENCER, INTAKE 1	1	
20	8F3-14441-00-00	SILENCER, INTAKE 2	1	
21	98580-05016-00	SCREW, PAN HEAD	6	
22	98501-05046-00	SCREW, PAN HEAD	1	
23	98501-05070-00	SCREW, PAN HEAD	2	
24	95380-05600-00	NUT	9	
25	90506-06153-00	SPRING, TENSION	1	
26	(8F3-14499-00-00)	STAY 2	1	
27	95811-06010-00	BOLT, FLANGE	2	
28	95811-06012-00	BOLT, FLANGE	2	
29	8F3-21794-00-00	HOLDER, COUPLER	1	

CONTINUED ON NEXT FRAME ➤

Property of www.SmallEngineDiscount.com - Not for Resale

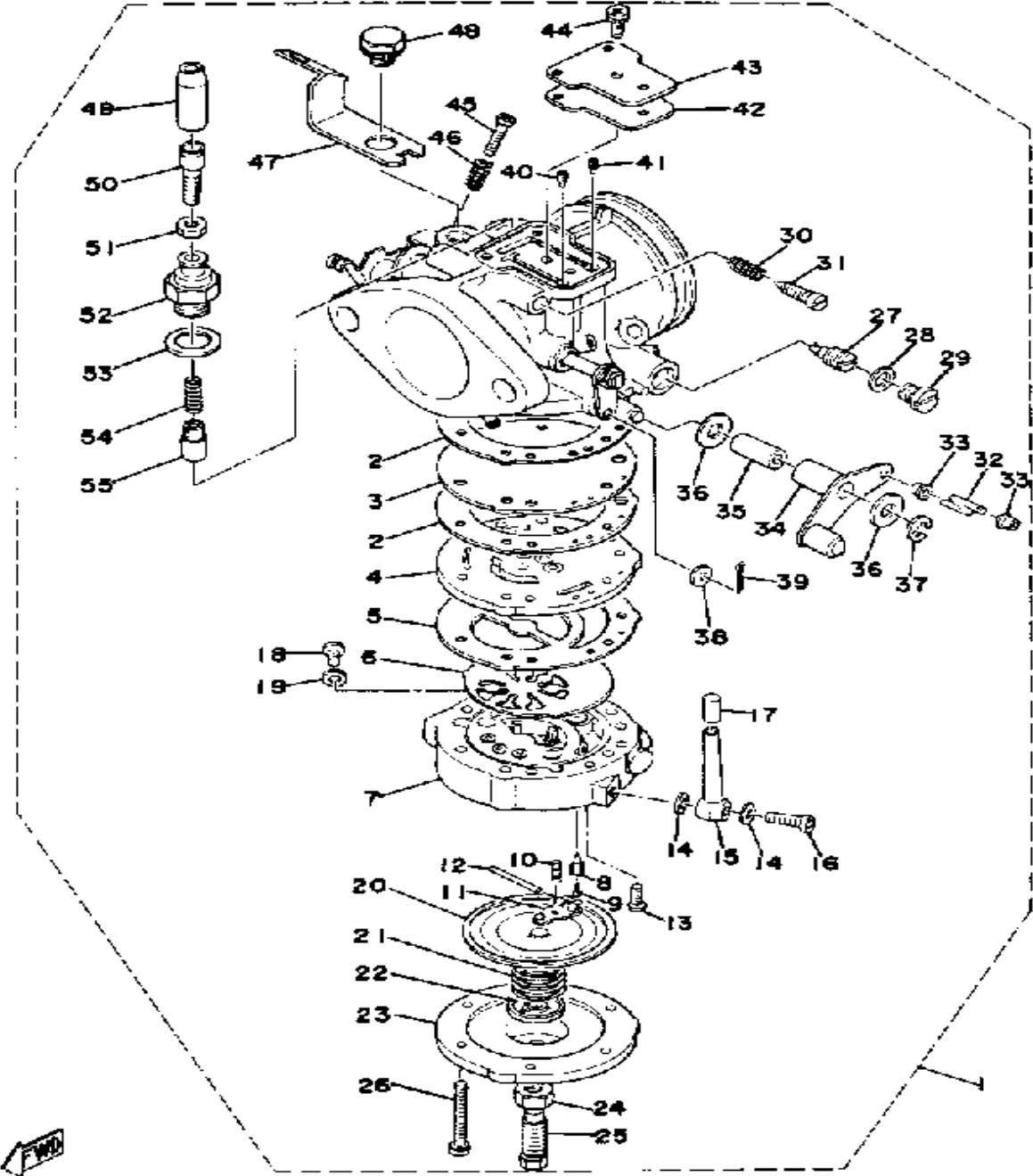
INTAKE ET250D\E



Ref. No.	Part Number	Description	Qty	Remarks
30	(8G5-2175R-00-00)	HOOK, BANK	2	
31	98580-06018-00	SCREW, PAN HEAD	2	
32	92995-06100-00	WASHER, SPRING	2	
33	8G5-2175N-00-00	COVER, FLANGE	1	
34	98580-06018-00	SCREW, PAN HEAD	1	
35	92995-06100-00	WASHER, SPRING	1	

Property of www.SmallEngineDiscount.com - Not for Resale

CARBURETOR ET250C

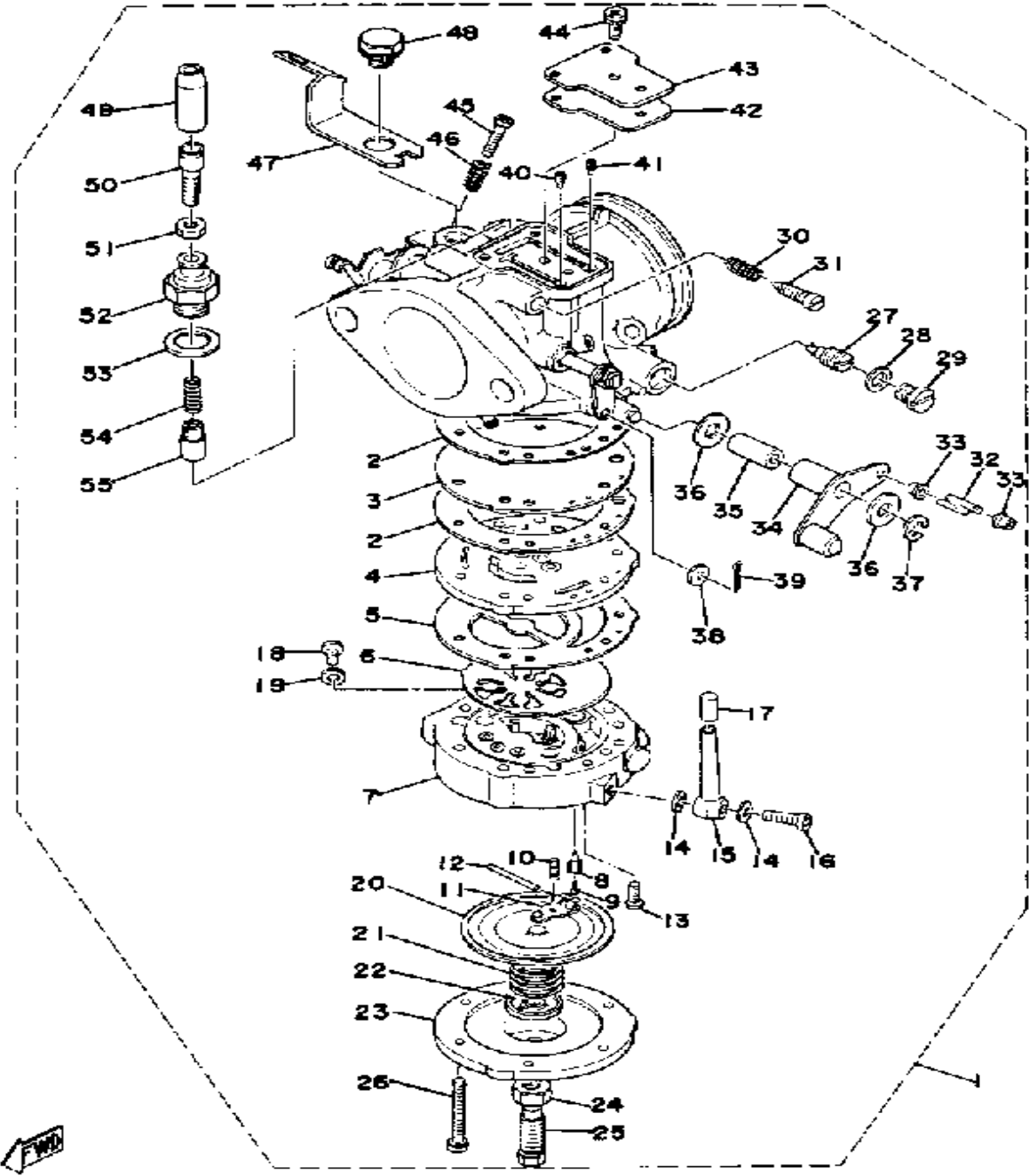


Ref. No.	Part Number	Description	Qty	Remarks
1	(8G5-14501-01-00)	CARBURETOR ASSEMBLY 1	1	
2	879-14536-01-00	. GASKET (879-14536-00)	2	
3	879-14541-01-00	. DIAPHRAGM, PUMP	1	
4	(865-14542-01-00)	BODY, PUMP 1	1	
5	865-14553-01-00	. GASKET	1	
6	806-14552-01-00	. VALVE, CHECK	1	
7	(8G5-14541-00-00)	DIAPHRAGM, PUMP	1	
8	838-14546-00-00	. VALVE, NEEDLE	1	
9	676-14186-00-00	. PIN, FLOAT	1	
10	810-14556-00-00	. SPRING	1	
11	(810-14547-00-00)	ARM, FLOAT	1	
12	(806-14548-00-00)	PIN, FLOAT ARM	1	
13	98702-03008-00	. SCREW, FLAT HEAD	1	
14	806-14559-00-00	. WASHER	2	
15	810-14197-02-00	. PIPE, AIRVENT	1	
16	8A1-14592-00-00	. SCREW	1	
17	810-24462-01-00	. CAP, BLIND	1	
18	(806-14567-01-00)	SCREW	1	
19	810-14597-00-00	. WASHER	1	
20	810-14545-00-00	. DIAPHRAGM	1	
21	90501-06213-00	. SPRING, COMPRESSION	1	
22	(810-14136-00-00)	SEAT, SPRING	1	
23	(810-14544-01-00)	BODY, PUMP 3	1	
24	95303-08700-00	. NUT	1	
25	884-14565-01-00	. SCREW, STOP	1	
26	(824-14567-00-00)	SCREW	6	
27	845-14516-25-00	. JET, MAIN #125 (125)	1	U.R.
	845-14516-30-00	. JET, MAIN #130 (130)	1	U.R.
	845-14516-38-00	. JET, MAIN #138 (138)	1	U.R.

CONTINUED ON NEXT FRAME ➤

Property of www.SmallEngineDiscount.com - Not for Resale

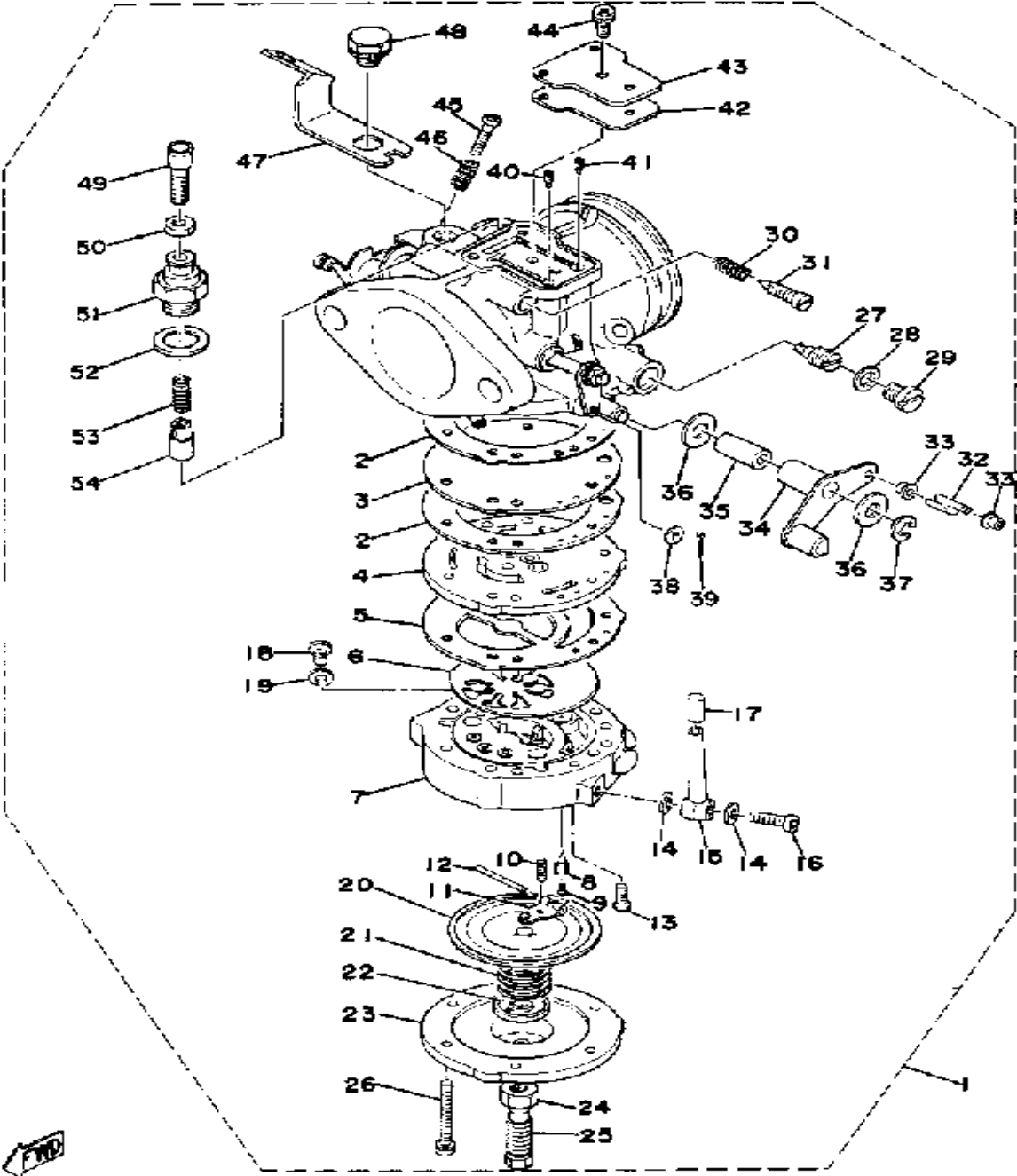
CARBURETOR ET250C



Ref. No.	Part Number	Description	Qty	Remarks
28	838-14597-00-00	. WASHER	1	
29	(845-14567-00-00)	SCREW	1	
30	(90501-10237-00)	SPRING, COMPRESSION	1	
31	(865-14522-00-00)	SCREW, ADJUST	1	
32	8F3-14577-00-00	. ROD	1	
33	865-14534-00-00	. COLLAR	2	
34	8F3-14575-01-00	. LEVER, LINK	1	
35	8F3-14534-00-00	. COLLAR	1	
36	8F3-14557-00-00	. WASHER	2	
37	8F3-14597-00-00	. WASHER	1	
38	90202-06056-00	. WASHER, PLATE	1	
39	91490-12012-00	. PIN, COTTER	1	
40	865-14515-50-00	. JET #50 (#50)	1	
41	(865-14515-38-00)	JET # 8	1	
42	(865-14537-00-00)	GASKET	1	
43	(8A1-14527-00-00)	PLATE	1	
44	90159-05005-00	. SCREW, WITH WASHER	1	
45	90157-04010-00	. SCREW, PAN HEAD	1	
46	90501-12229-00	. SPRING, COMPRESSION	1	
47	(8F3-14572-01-00)	PLATE, STAY	1	
48	8G6-14592-00-00	. SCREW	1	
49	8A6-14977-00-00	. SHAFT, STARTER LEVER	1	
50	8E7-14161-00-00	. NUT, CABLE ADJUSTING	1	
51	8A6-14969-00-00	. CAP	1	
52	90201-12581-00	. WASHER, PLATE	1	
53	90501-08507-00	. SPRING, COMPRESSION	1	
54	8G5-14993-00-00	PLUNGER, STARTER	1	

Property of www.SmallEngineDiscount.com - Not for Resale

CARBURETOR ET250D\E

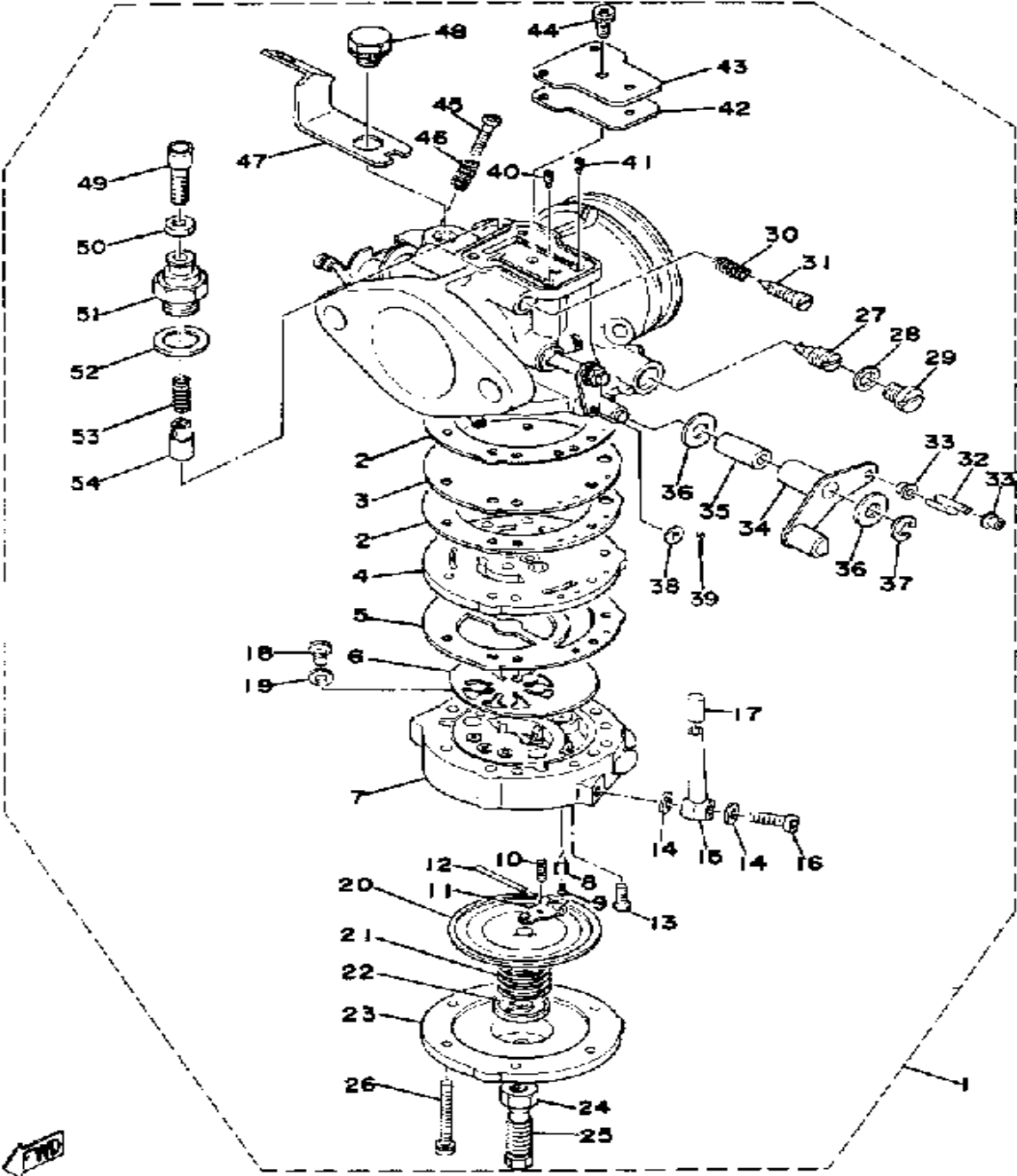


Ref. No.	Part Number	Description	Qty	Remarks
1	(8G5-14501-01-00)	CARBURETOR ASSEMBLY 1	1	
2	879-14536-01-00	. GASKET (879-14536-00)	2	
3	879-14541-01-00	. DIAPHRAGM, PUMP	1	
4	(865-14542-01-00)	BODY, PUMP 1	1	
5	865-14553-01-00	. GASKET	1	
6	806-14552-01-00	. VALVE, CHECK	1	
7	(8G5-14541-00-00)	DIAPHRAGM, PUMP	1	
8	838-14546-00-00	. VALVE, NEEDLE	1	
9	676-14186-00-00	. PIN, FLOAT	1	
10	810-14556-00-00	. SPRING	1	
11	(810-14547-00-00)	ARM, FLOAT	1	
12	(806-14548-00-00)	PIN, FLOAT ARM	1	
13	98702-03008-00	. SCREW, FLAT HEAD	1	
14	806-14559-00-00	. WASHER	2	
15	810-14197-02-00	. PIPE, AIRVENT	1	
16	8A1-14592-00-00	. SCREW	1	
17	810-24462-01-00	. CAP, BLIND	1	
18	(806-14567-01-00)	SCREW	1	
19	810-14597-00-00	. WASHER	1	
20	810-14545-00-00	. DIAPHRAGM	1	
21	90501-06213-00	. SPRING, COMPRESSION	1	
22	(810-14136-00-00)	SEAT, SPRING	1	
23	(810-14544-01-00)	BODY, PUMP 3	1	
24	95303-08700-00	. NUT	1	
25	884-14565-01-00	. SCREW, STOP	1	
26	(824-14567-00-00)	SCREW	6	
27	845-14516-25-00	. JET, MAIN #125 (125)	1	U.R.
	845-14516-30-00	. JET, MAIN #130 (130)	1	U.R.
	845-14516-38-00	. JET, MAIN #138 (138)	1	U.R. STD

CONTINUED ON NEXT FRAME ➤

Property of www.SmallEngineDiscount.com - Not for Resale

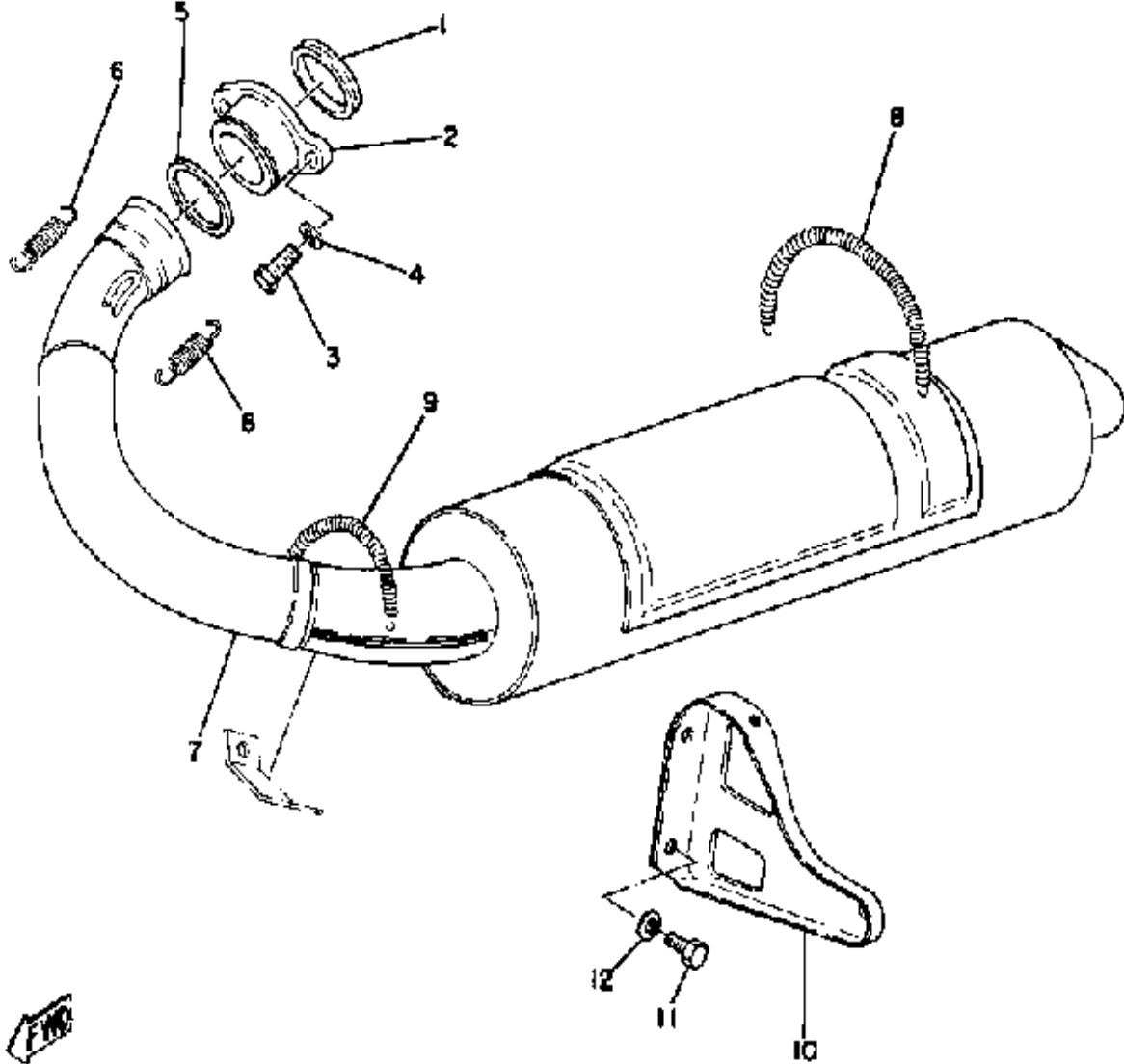
CARBURETOR ET250D\E



Ref. No.	Part Number	Description	Qty	Remarks
28	838-14597-00-00	. WASHER	1	
29	(845-14567-00-00)	SCREW	1	
30	(90501-10237-00)	SPRING, COMPRESSION	1	
31	(865-14522-00-00)	SCREW, ADJUST	1	
32	8F3-14577-00-00	. ROD	1	
33	865-14534-00-00	. COLLAR	2	
34	8F3-14575-01-00	. LEVER, LINK	1	
35	8F3-14534-00-00	. COLLAR	1	
36	8F3-14557-00-00	. WASHER	2	
37	8F3-14597-00-00	. WASHER	1	
38	90202-06056-00	. WASHER, PLATE	1	
39	91490-12012-00	. PIN, COTTER	1	
40	865-14515-50-00	. JET #50 (#50)	1	
41	(865-14515-38-00)	JET # 8	1	
42	(865-14537-00-00)	GASKET	1	
43	(8A1-14527-00-00)	PLATE	1	
44	90159-05005-00	. SCREW, WITH WASHER	1	
45	90157-04010-00	. SCREW, PAN HEAD	1	
46	90501-12229-00	. SPRING, COMPRESSION	1	
47	(8F3-14572-01-00)	PLATE, STAY	1	
48	8G6-14592-00-00	. SCREW	1	
49	(8A6-14967-00-00)	COVER	1	
50	8A6-14977-00-00	. SHAFT, STARTER LEVER ...	1	
51	8E7-14161-00-00	. NUT, CABLE ADJUSTING ...	1	
52	8A6-14969-00-00	. CAP	1	
53	90201-12581-00	. WASHER, PLATE	1	
54	90501-08507-00	. SPRING, COMPRESSION	1	
55	8G5-14993-00-00	. PLUNGER, STARTER	1	

Property of www.SmallEngineDiscount.com - Not for Resale

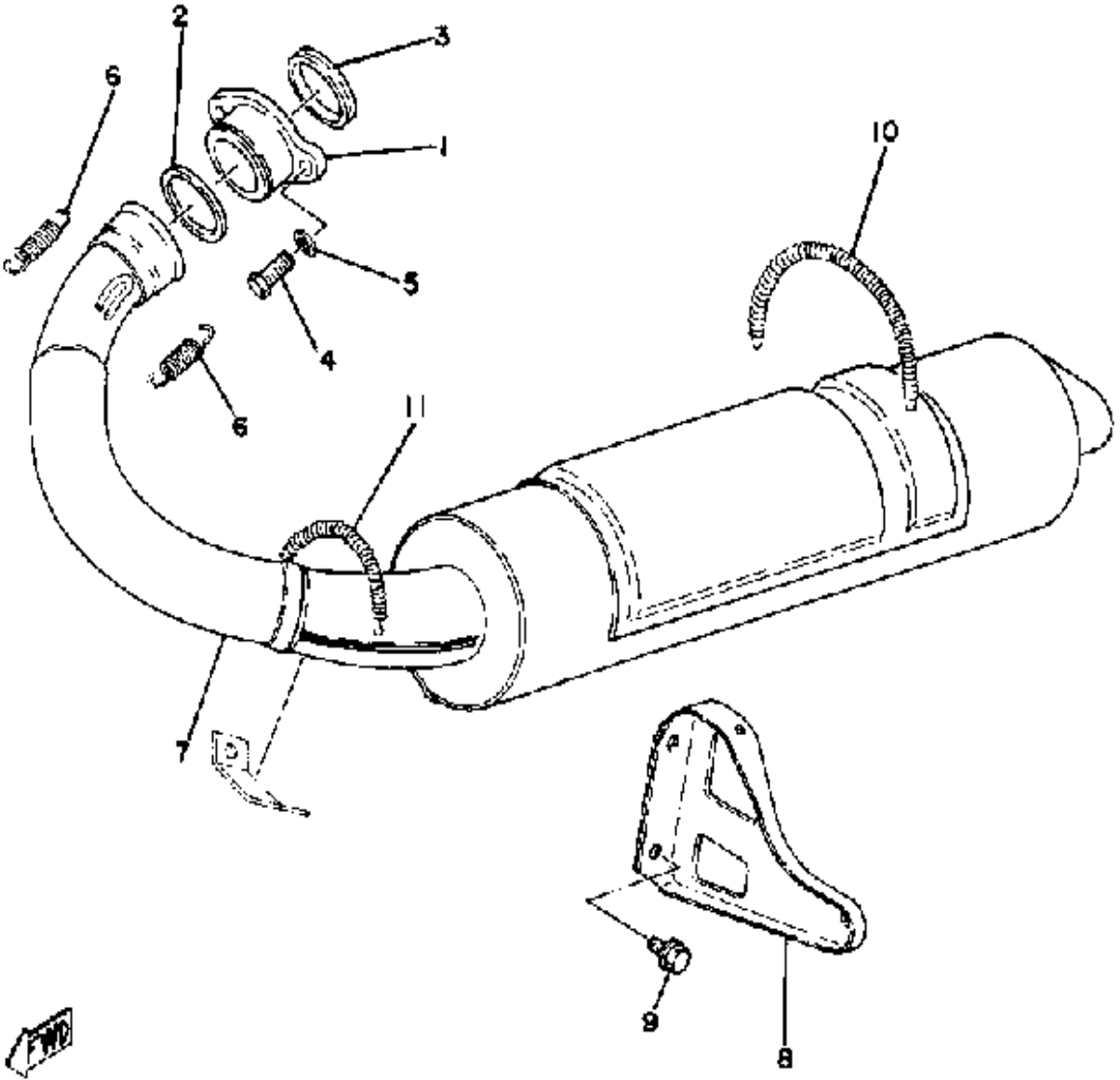
EXHAUST ET250C



Ref. No.	Part Number	Description	Qty	Remarks
1	8F3-14613-00-00	GASKET, EXST PIPE	1	
2	81E-14612-00-00	NUT, RING	1	
3	97013-08025-00	BOLT	2	
4	92990-08100-00	WASHER	2	
5	888-14633-00-00	RING	1	
6	90506-20074-00	SPRING, TENSION	2	
7	(8F3-14610-02-00)	EXHAUST PIPE ASSEMBLY L .	1	
8	90506-16174-00	SPRING, TENSION	1	
9	90506-16076-00	SPRING, TENSION	1	
10	(8G5-14771-00-00)	STAY, MUFFLER 1	1	
11	97313-08012-00	BOLT	2	
12	92990-08100-00	WASHER	2	

Property of www.SmallEngineDiscount.com - Not for Resale

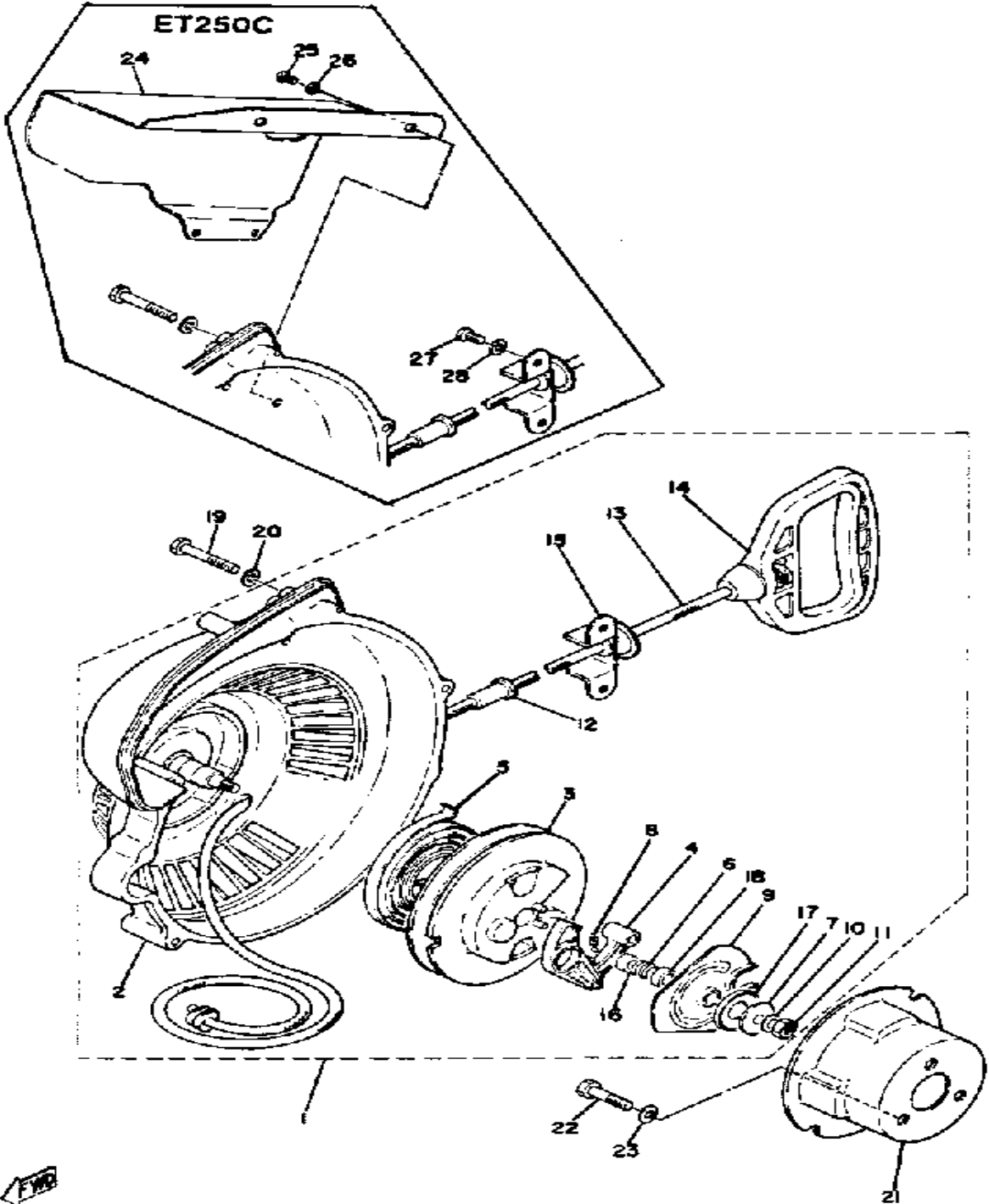
EXHAUST ET250D\E



Ref. No.	Part Number	Description	Qty	Remarks
1	81E-14612-00-00	NUT, RING	1	
2	888-14633-00-00	RING	1	
3	8F3-14613-00-00	GASKET, EXST PIPE	1	
4	97013-08025-00	BOLT	2	
5	92990-08100-00	WASHER	2	
6	90506-20074-00	SPRING, TENSION	2	
7	(8F3-14610-02-00)	EXHAUST PIPE ASSEMBLY L .	1	
8	(8G5-14771-00-00)	STAY, MUFFLER 1	1	
9	(95802-08010-00)	BOLT, FLANGE	2	
10	90506-16174-00	SPRING, TENSION	1	
11	90506-14207-00	SPRING, TENSION	1	

Property of www.SmallEngineDiscount.com - Not for Resale

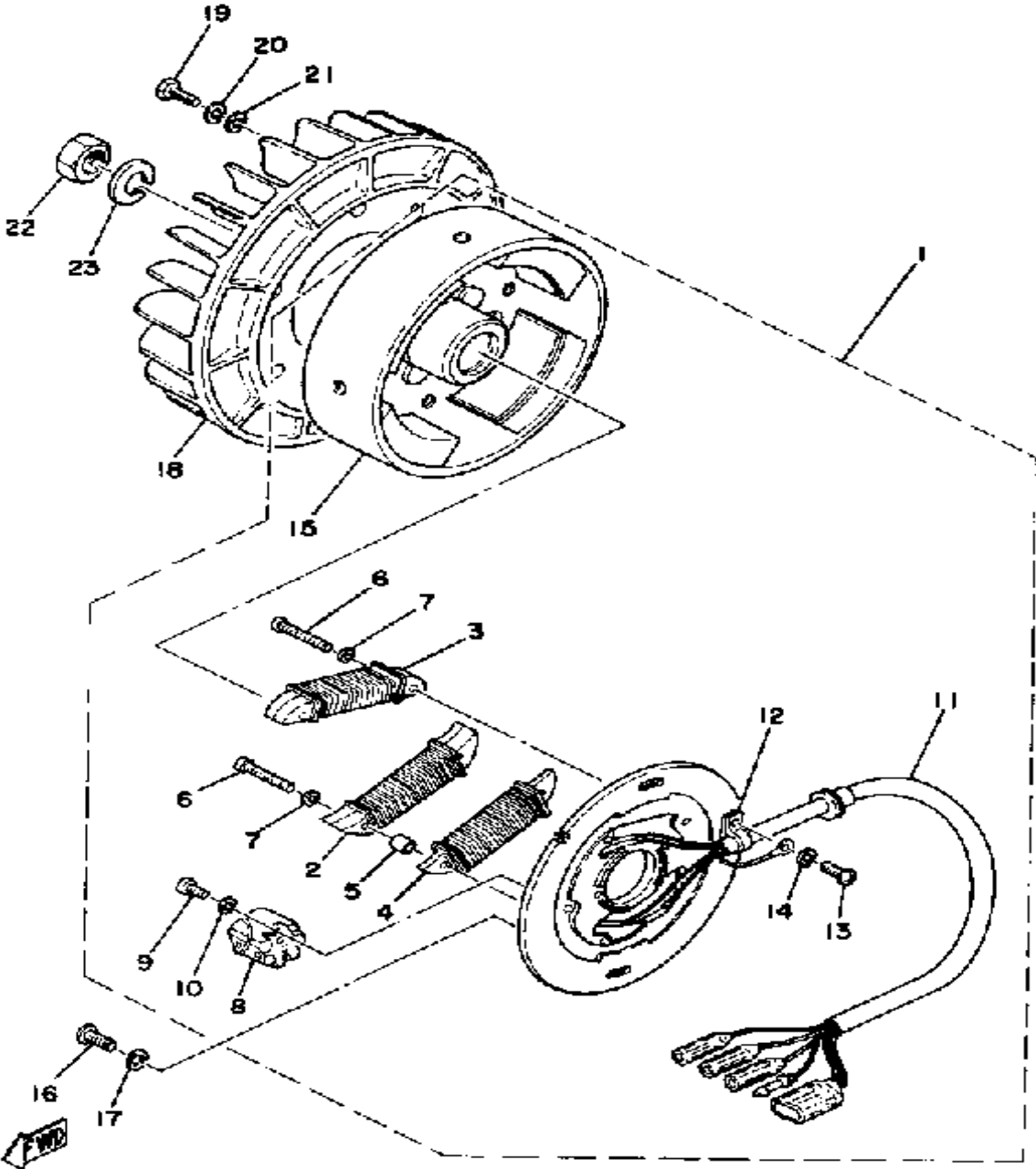
STARTER ET250C\DI\E



Ref. No.	Part Number	Description	Qty	Remarks
1	8F3-15710-01-00	STARTER ASSEMBLY	1	
2	8F3-15711-01-00	. CASE, STARTER	1	
3	8F3-15714-01-00	. DRUM, SHEAVE	1	
4	8F3-15741-01-00	. PAWL, DRIVE	1	
5	8Y0-15713-00-00	. SPRING, STARTER	1	
6	8F3-15715-00-00	. SPRING, FRICTION	1	
7	8F3-15739-01-00	. WASHER, THRUST	1	
8	8F3-15734-00-00	. SPRING, RETURN	1	
9	8F3-15716-03-00	. PLATE, DRIVE	1	
10	92995-06100-00	. WASHER, SPRING	1	
11	95380-06700-00	. NUT	1	
12	8F3-15758-00-00	. GUIDE, ROPE	1	
13	857-15751-00-00	. WIRE, STARTER	1	
14	8F3-15755-00-00	. HANDLE, STARTER	1	
15	8F3-15788-01-00	. HOLDER, HANDLE	1	
16	82M-15779-00-00	. COVER	1	
17	8G5-15739-00-00	. WASHER, THRUST	1	
18	82M-15779-00-00	. COVER	1	
19	97313-06050-00	BOLT	5	
20	92901-06600-00	WASHER	5	
21	(8G5-15723-00-00)	PULLEY, STARTER	1	
22	97011-08016-00	BOLT	3	
	97313-08018-00	BOLT, HEXAGON (97301-08016)	3	
23	92990-08100-00	WASHER	3	
24	8G5-15471-00-00	DUCT, AIR	1	
25	98506-05008-00	SCREW, PAN HEAD	4	
26	92906-05200-00	WASHER, PLAIN	4	
27	97013-06012-00	BOLT	2	
28	92995-06100-00	WASHER, SPRING	2	

Property of www.SmallEngineDiscount.com - Not for Resale

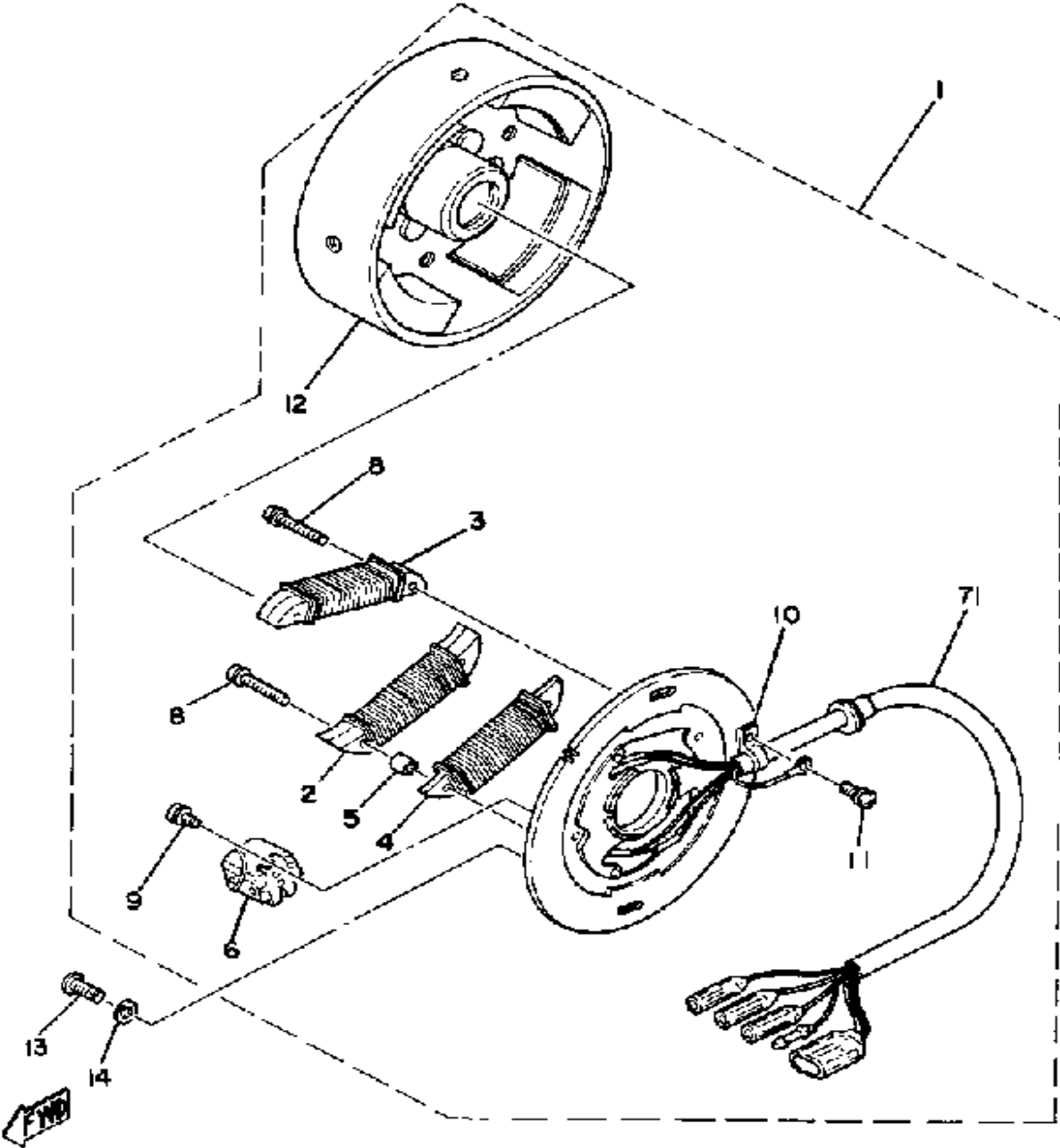
FLYWHEEL MAGNETO ET250C



Ref. No.	Part Number	Description	Qty	Remarks
1	(8H4-85500-20-00)	CDI MAGNETO ASSEMBLY ...	1	
2	8H4-85511-20-00	. COIL SOURCE 1	1	
3	(8H4-85513-20-00)	COIL, LIGHTING 1	1	
4	8H4-85541-20-00	. COIL, CHARGE	1	
5	8G8-85519-20-00	. SPACER	2	
6	98501-05035-00	. SCREW, PAN HEAD	4	
7	92990-05100-00	. WASHER, SPRING	4	
8	8H4-85580-20-00	. COIL, PULSER (8G8-85580-20)	4	
9	98580-04010-00	. SCREW, PAN HEAD	2	
10	92901-04100-00	. WASHER, SPRING	2	
11	(8H4-85515-20-00)	LEAD WIRE ASSEMBLY	1	
12	104-81328-20-00	. CLAMP	1	
13	98580-04008-00	. SCREW, PAN HEAD	1	
14	92901-04100-00	. WASHER, SPRING	1	
15	8H4-85550-20-00	. ROTOR ASSEMBLY	1	
16	98903-06014-00	SCREW, BIND	2	
17	90201-06043-00	WASHER, PLATE	2	
18	8G8-12611-01-00	FAN	1	
19	97011-06016-00	BOLT	6	
20	92995-06100-00	WASHER, SPRING	6	
21	92901-06600-00	WASHER	6	
22	90170-16182-00	NUT	1	
23	92901-16100-00	WASHER, SPRING	1	

Property of www.SmallEngineDiscount.com - Not for Resale

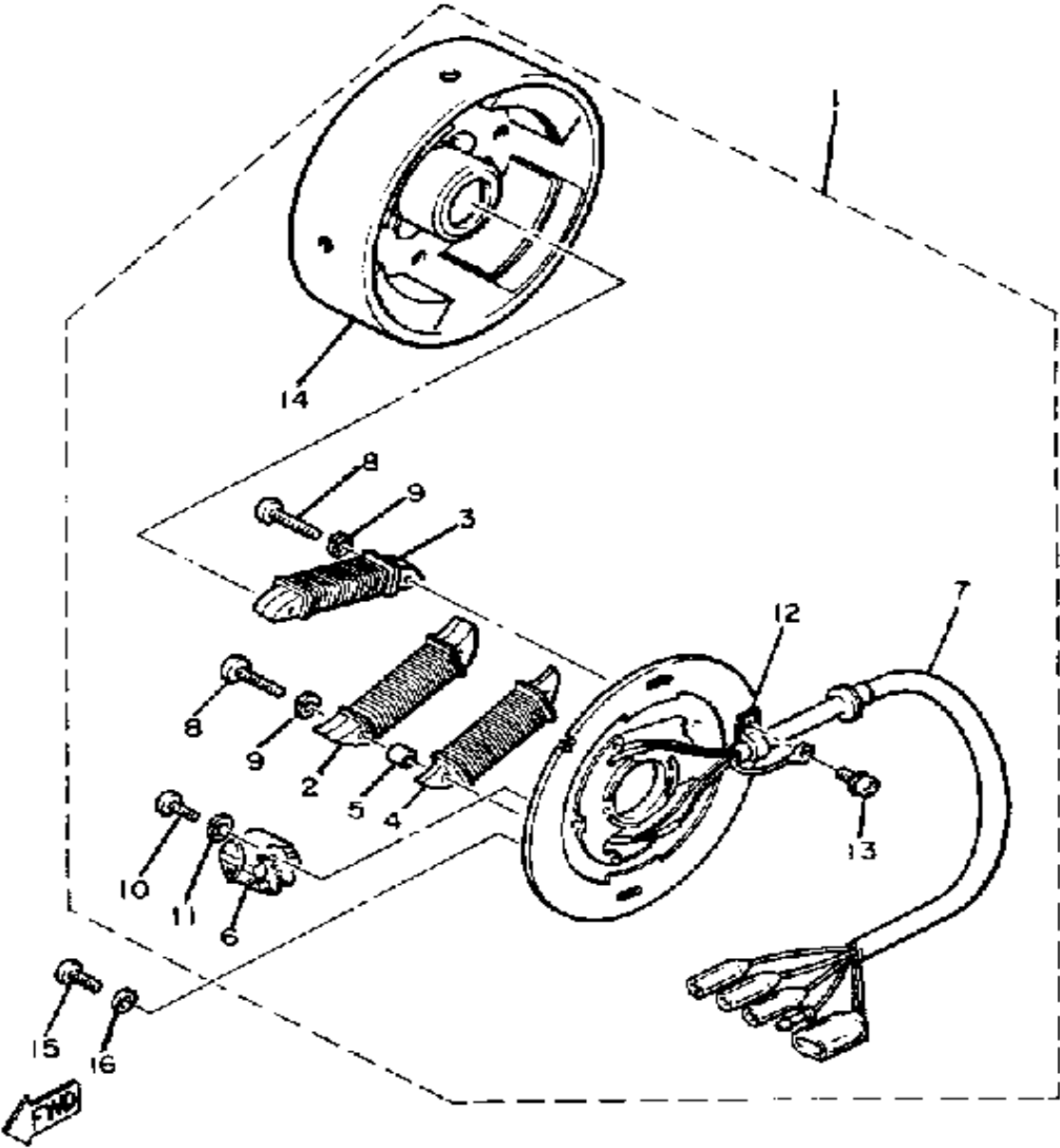
C - D - I - MAGNETO ET250D



Ref. No.	Part Number	Description	Qty	Remarks
1	(8J5-85500-20-00)	CDI MAGNETO ASSEMBLY ...	1	
2	8H4-85511-20-00	. COIL SOURCE 1	1	
3	(8H4-85513-20-00)	COIL, LIGHTING 1	1	
4	8H4-85541-20-00	. COIL, CHARGE	1	
5	8G8-85519-20-00	. SPACER	2	
6	8H4-85580-20-00	. COIL, PULSER (8G8-85580-20)	1	
7	(8H4-85515-20-00)	LEAD WIRE ASSEMBLY	1	
8	98501-05035-00	. SCREW, PAN HEAD	4	
9	(8J5-81346-20-00)	SCREW, PAN HEAD	2	
10	104-81328-20-00	. CLAMP	1	
11	(8J5-81347-20-00)	SCREW, PAN HEAD	1	
12	(8J5-85550-20-00)	ROTOR ASSEMBLY	1	
13	98903-06014-00	SCREW, BIND	2	
14	90201-06043-00	WASHER, PLATE	2	

Property of www.SmallEngineDiscount.com - Not for Resale

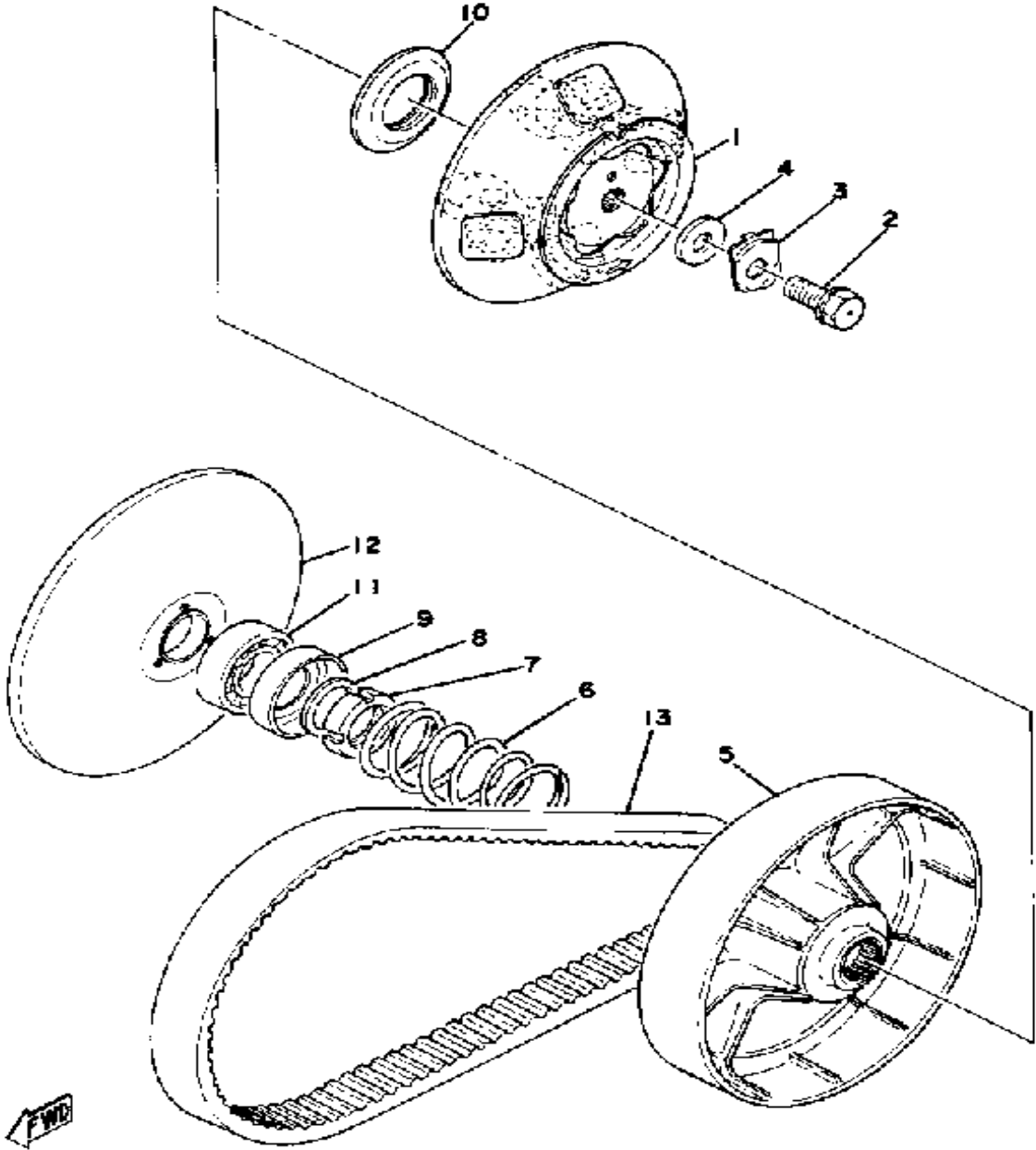
C - D - I - MAGNETO ET250E



Ref. No.	Part Number	Description	Qty	Remarks
1	(8J5-85500-20-00)	CDI MAGNETO ASSEMBLY ...	1	
2	8H4-85511-20-00	. COIL SOURCE 1	1	
3	(8H4-85513-20-00)	COIL, LIGHTING 1	1	
4	8H4-85541-20-00	. COIL, CHARGE	1	
5	8G8-85519-20-00	. SPACER	2	
6	8H4-85580-20-00	. COIL, PULSER (8G8-85580-20)	1	
7	(8H4-85515-20-00)	LEAD WIRE ASSEMBLY	1	
8	98501-05035-00	. SCREW, PAN HEAD	4	
9	92990-05100-00	. WASHER, SPRING	4	
10	98506-04018-00	. SCREW, PAN HEAD	2	
11	92901-04100-00	. WASHER, SPRING	2	
12	104-81328-20-00	. CLAMP	1	
13	(8J5-81347-20-00)	SCREW, PAN HEAD	1	
14	(8J5-85550-20-00)	ROTOR ASSEMBLY	1	
15	98903-06014-00	SCREW, BIND	2	
16	90201-06043-00	WASHER, PLATE	2	

Property of www.SmallEngineDiscount.com - Not for Resale

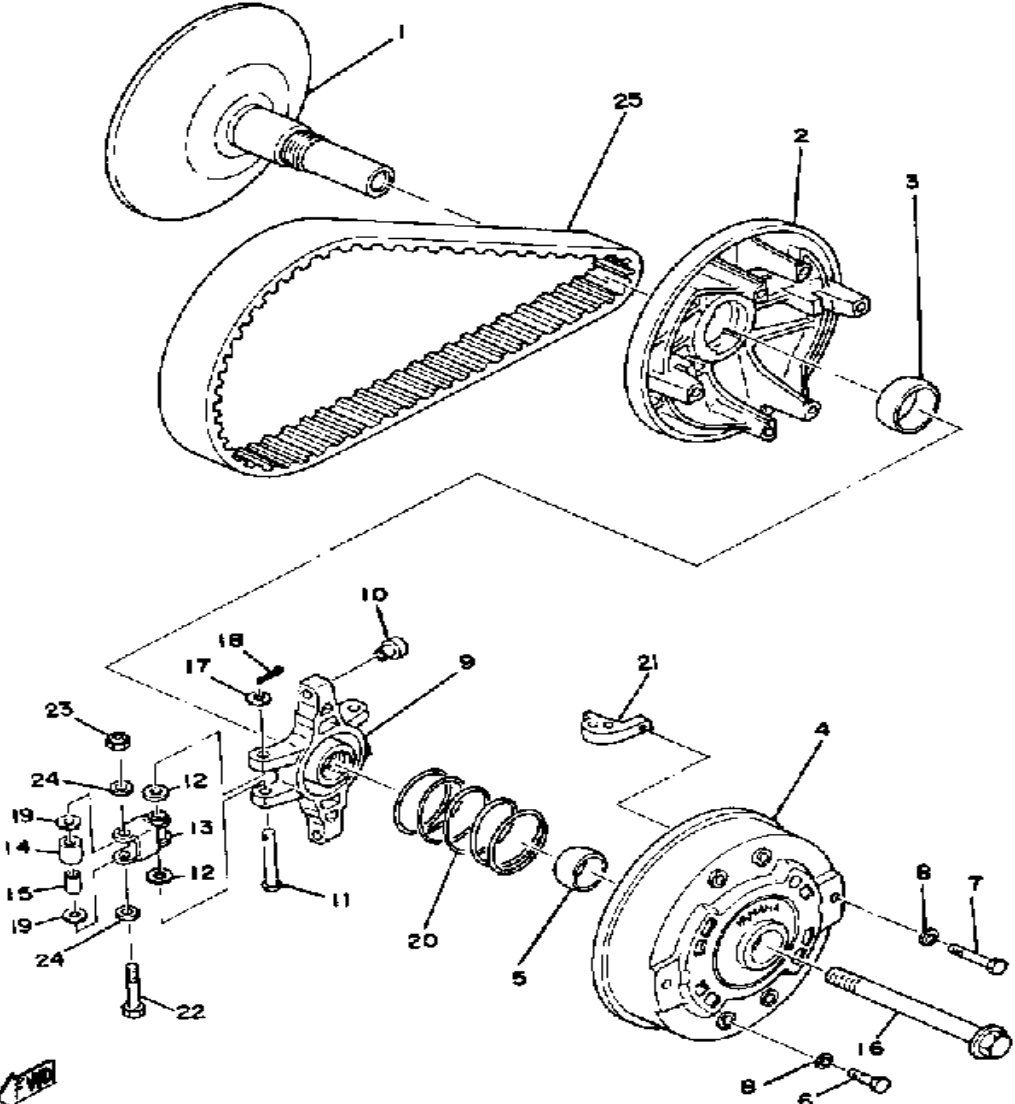
PRIMARY SHEAVE ET250C



Ref. No.	Part Number	Description	Qty	Remarks
1	8G5-W1762-00-00	PRI. SHEAVE CAP (8G5-17630-00)	1	
2	(838-17647-01-00)	BOLT	1	
3	90215-12084-00	WASHER, LOCK	1	
4	90201-12191-00	WASHER, PLATE	1	
5	(8F3-17620-00-00)	PRI SLIDG SHEAVE	1	
6	90501-55451-00	SPRING, COMPRESSION	1	
7	(810-17642-00-00)	NUT, BEARING	1	
8	90208-28003-00	WASHER, CONICAL SPR	1	
9	(820-17644-00-00)	SEAT, SPRING	1	
10	(8G5-17623-00-00)	CAM	1	
11	93306-20567-00	BEARING	1	
12	8E3-W1761-00-00	PRI. FIXED SHEAVECOMP.	1	
13	820-17641-00-00	V-BELT	1	

Property of www.SmallEngineDiscount.com - Not for Resale

PRIMARY SHEAVE ET250D

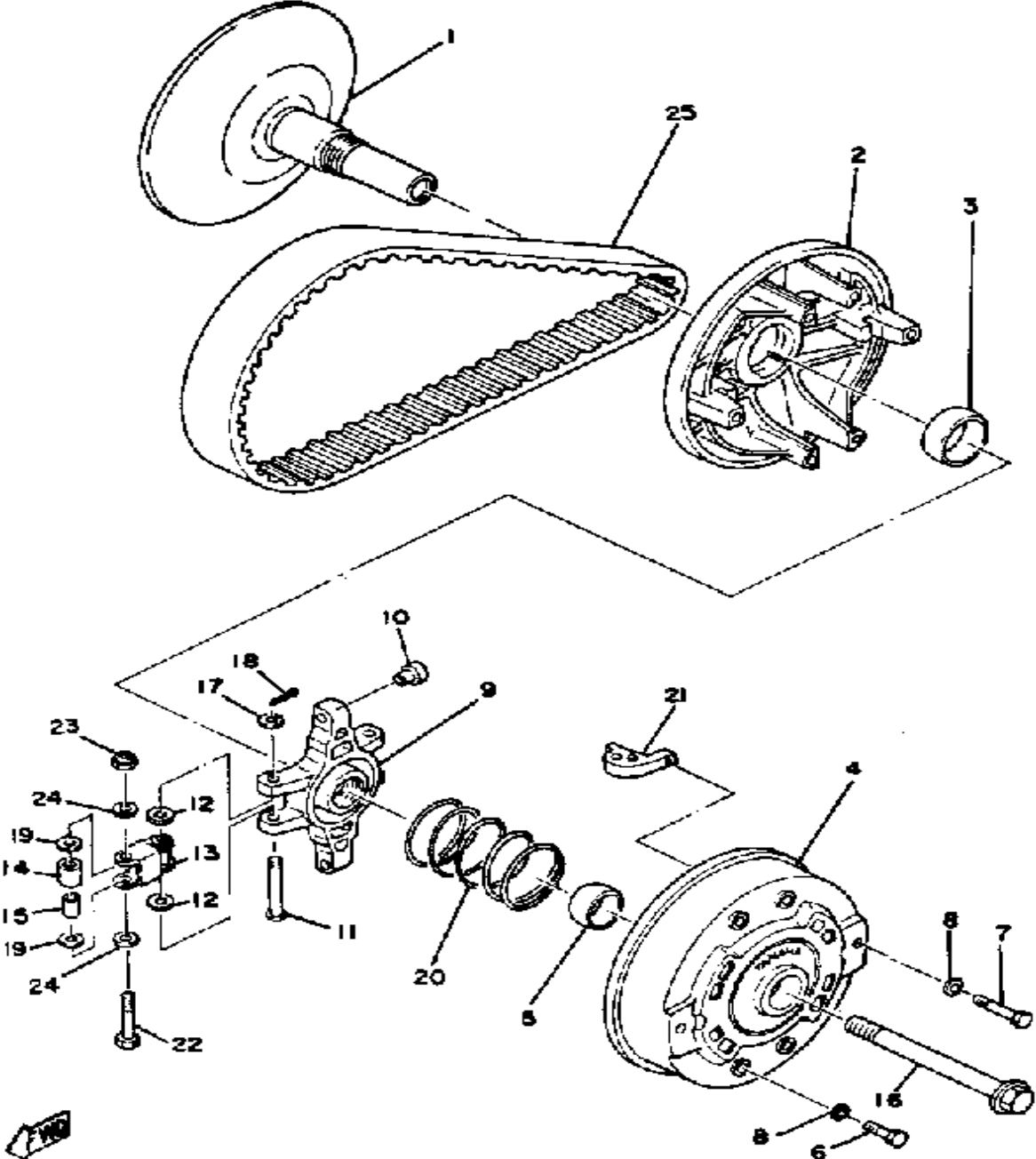


DRIVE - Type	V-Belt Automatic
Primary Sheave Engagement rpm	3400 rpm ± 100 rpm
Belt Length / Width / Wear Limit / IBM Number	1099mm / 31.8mm / 26mm / 820
Primary Ratio(s)	3.5:1 ~ 1:1
Sheave Center to Center / Offset	268 ± 2mm / 11 ± 1mm
Primary Spring Color / Length / Rate	Blue / 68.2mm / 3.0 kg-mm
Secondary Spring Pre-Load/Part Number/Color	160° / 90508-40080-00 / None
Secondary Drive Ratio/Chain Pitch/Type/Freeplay	1.682 (22/13) / 12.7mm No. 40K-1 / 10mm ± 0.5mm

Ref. No.	Part Number	Description	Qty	Remarks
1	8H9-W1761-00-00	PRI. FIXED SHEAVESHEAVE COMP.	1	
2	8H9-17621-01-00	SHEAVE, PRI SLIDING	1	
3	90389-39023-00	BUSH, SPEC'L SHAPE	1	
4	8H9-17631-00-00	CAP	1	
5	90389-26022-00	BUSH, SPEC'L SHAPE	1	
6	97011-06025-00	BOLT (97001-06025)	4	
7	97313-06040-00	BOLT, HEXAGON	2	
8	92995-06100-00	WASHER, SPRING	6	
9	8H9-17627-00-00	SPIDER	1	
10	8F2-17653-00-00	SLIDER	4	
11	90240-07112-00	PIN, CLEVIS	2	
12	90201-06589-00	WASHER, PLATE	4	
13	8H9-17632-01-00	WEIGHT	2	
14	90387-09698-00	COLLAR	2	
15	90387-06697-00	COLLAR	2	
16	8H9-17647-00-00	BOLT	1	
17	90201-06M08-00	WASHER, PLATE	2	
18	91401-25020-00	PIN, COTTER	2	
19	90201-09728-00	WASHER, PLATE	4	
20	90501-55559-00	SPRING, COMPRESSION	1	
21	8H9-17623-00-00	CAM	2	
22	90101-06663-00	BOLT (90101-06663)	2	
23	95601-06100-00	NUT, U	2	
24	90201-06727-00	WASHER, PLATE	4	
25	(8H9-00000-50-00) 820-17641-00-00	CLUTCH TUNE-UP KIT V-BELT	1	OPTIONAL PARTS KIT

Property of www.SmallEngineDiscount.com - Not for Resale

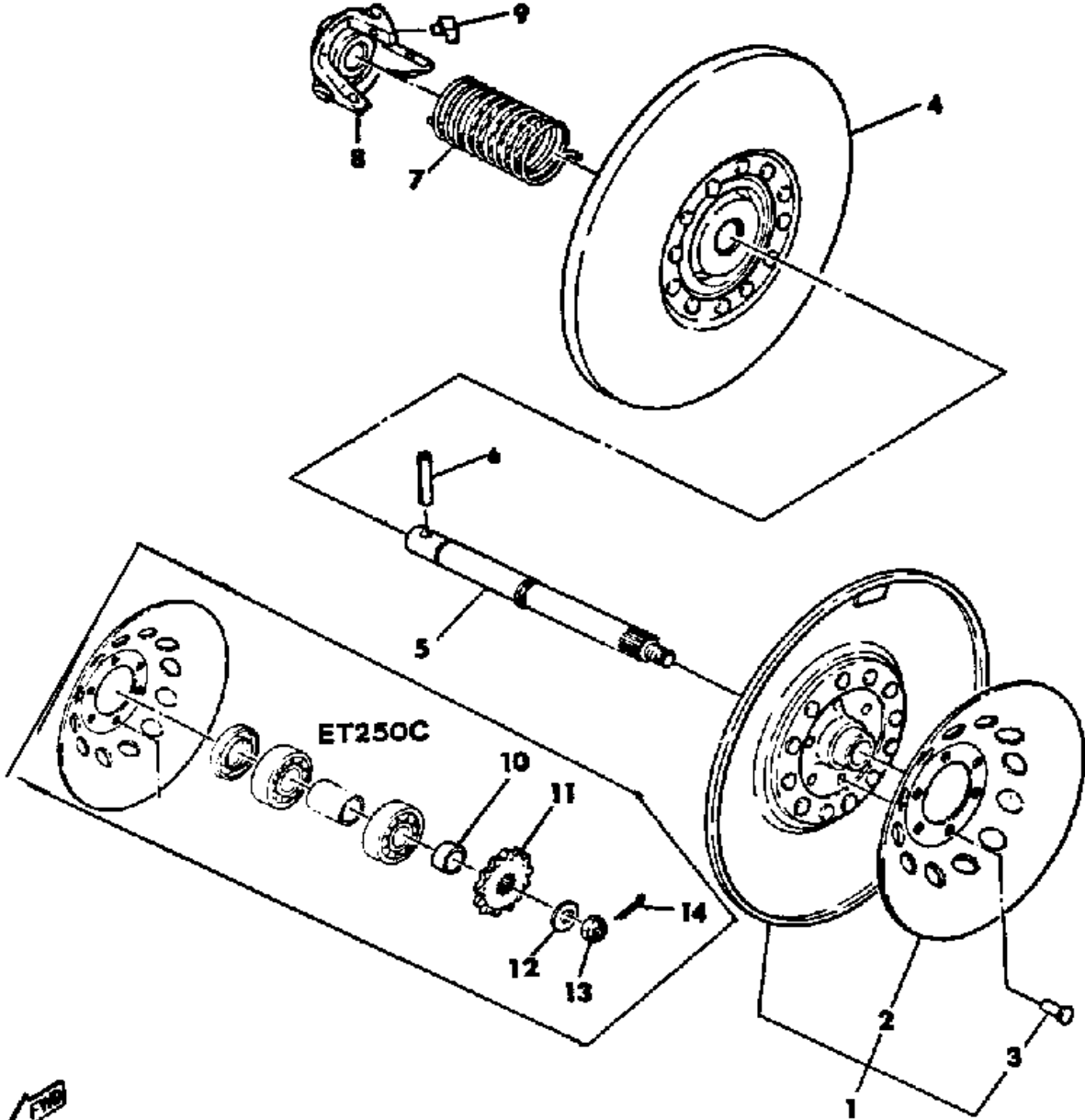
PRIMARY SHEAVE ET250E



Ref. No.	Part Number	Description	Qty	Remarks
1	8H9-W1761-00-00	PRI. FIXED SHEAVESHEAVE COMP.	1	
2	8H9-17621-01-00	SHEAVE, PRI SLIDING	1	
3	90389-39023-00	BUSH, SPEC"L SHAPE	1	
4	8H9-17631-00-00	CAP	1	
5	90389-26022-00	BUSH, SPEC"L SHAPE	1	
6	97011-06025-00	BOLT (97001-06025)	4	
7	97313-06040-00	BOLT, HEXAGON	2	
8	92995-06100-00	WASHER, SPRING	6	
9	8H9-17627-00-00	SPIDER	1	
10	8F2-17653-00-00	SLIDER	4	
11	90240-07112-00	PIN, CLEVIS	2	
12	90201-06589-00	WASHER, PLATE	4	
13	8H9-17632-01-00	WEIGHT	2	
14	90387-09698-00	COLLAR	2	
15	90387-06697-00	COLLAR	2	
16	8H9-17647-00-00	BOLT	1	
17	90201-06M08-00	WASHER, PLATE	2	
18	91401-25020-00	PIN, COTTER	2	
19	90201-09728-00	WASHER, PLATE	4	
20	90501-55559-00	SPRING, COMPRESSION	1	
21	8H9-17623-00-00	CAM	2	
22	90101-06663-00	BOLT (90101-06663)	2	
23	95601-06100-00	NUT, U	2	
24	90201-06727-00	WASHER, PLATE	4	
25	(8H9-00000-50-00) (8H9-17601-09-00)	CLUTCH TUNE-UP KIT PRIMARY SHEAVE ASSEMBLY	1	WITH - OPTIONAL KITSWITH +
	820-17641-00-00	V-BELT	1	

Property of www.SmallEngineDiscount.com - Not for Resale

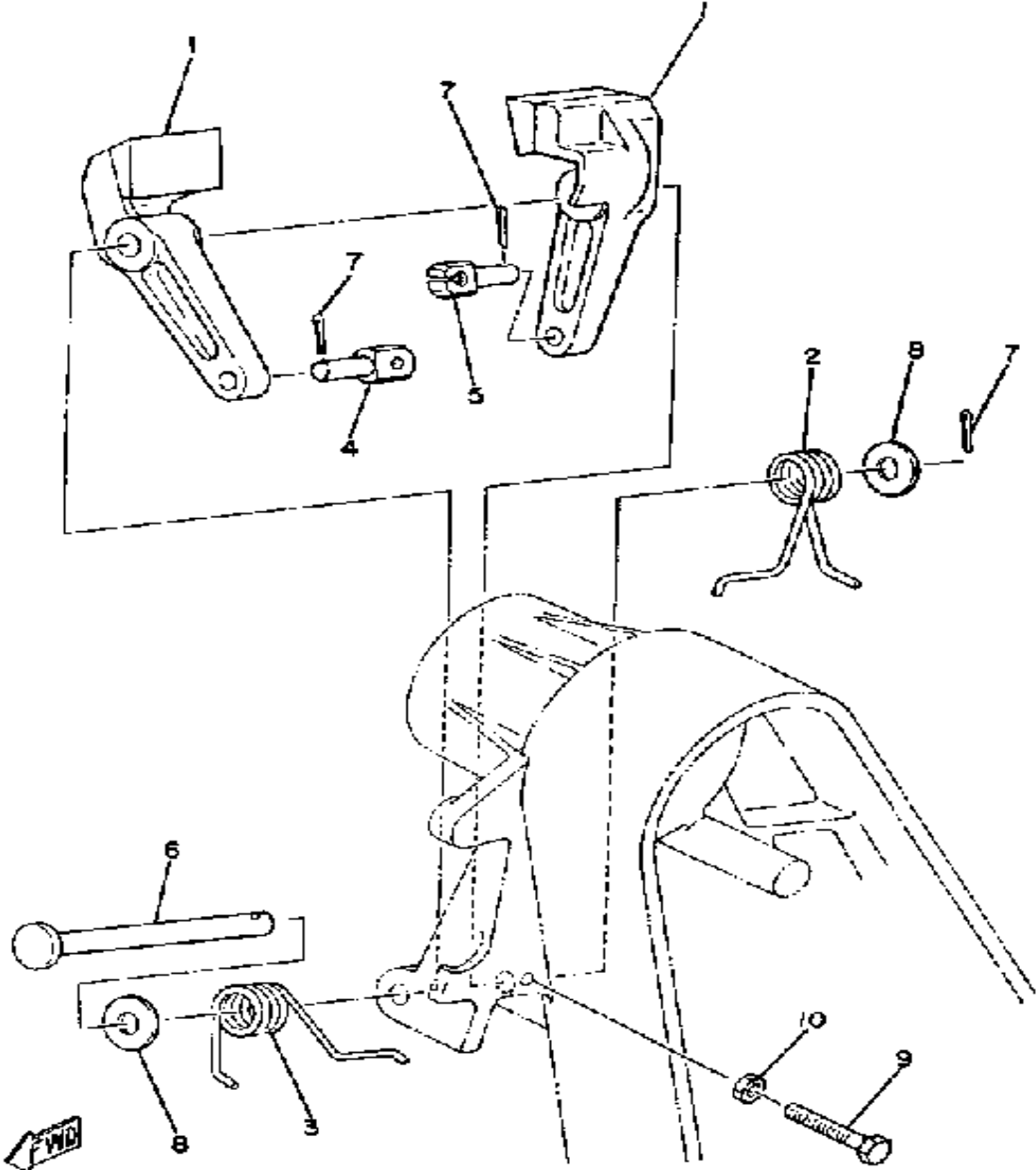
SECONDARY SHEAVE ET250C\D\E



Ref. No.	Part Number	Description	Qty	Remarks
1	8F3-17660-00-00	SEC FXD SHVSHEAVE COMP.	1	
2	8F3-25711-00-00	. DISC, BRAKE	1	
3	90263-05023-00	. RIVET, FLAT HEAD	6	
4	8F3-17670-00-00	SEC SLIDING SHEAVESHEAVE	1	
5	8F3-17681-00-00	SHAFT, SECONDARY	1	
6	90254-08001-00	PIN, SPRING TYPE	1	
7	90508-40080-00	SPRING, TORSION	1	
8	810-17684-01-00	SEAT, SEC SPRINGSRING ..	1	
9	801-17688-10-00	SHOE, RAMP	3	
10	90387-19579-00	COLLAR	1	
11	812-17682-20-00	SPROCKET, CHAIN DRIVE (12T)	1	U.R.
	812-17682-30-00	SPROCKET, CHAIN DRIVE (13T)	1	U.R. STD
	812-17682-40-00	SPROCKET, CHAIN DRIVE (14T)	1	U.R.
12	90201-122H1-00	WASHER, PLATE	1	
13	90185-12119-00	NUT, SELF-LOCKING	1	
14	91401-25030-00	PIN, COTTER	1	

Property of www.SmallEngineDiscount.com - Not for Resale

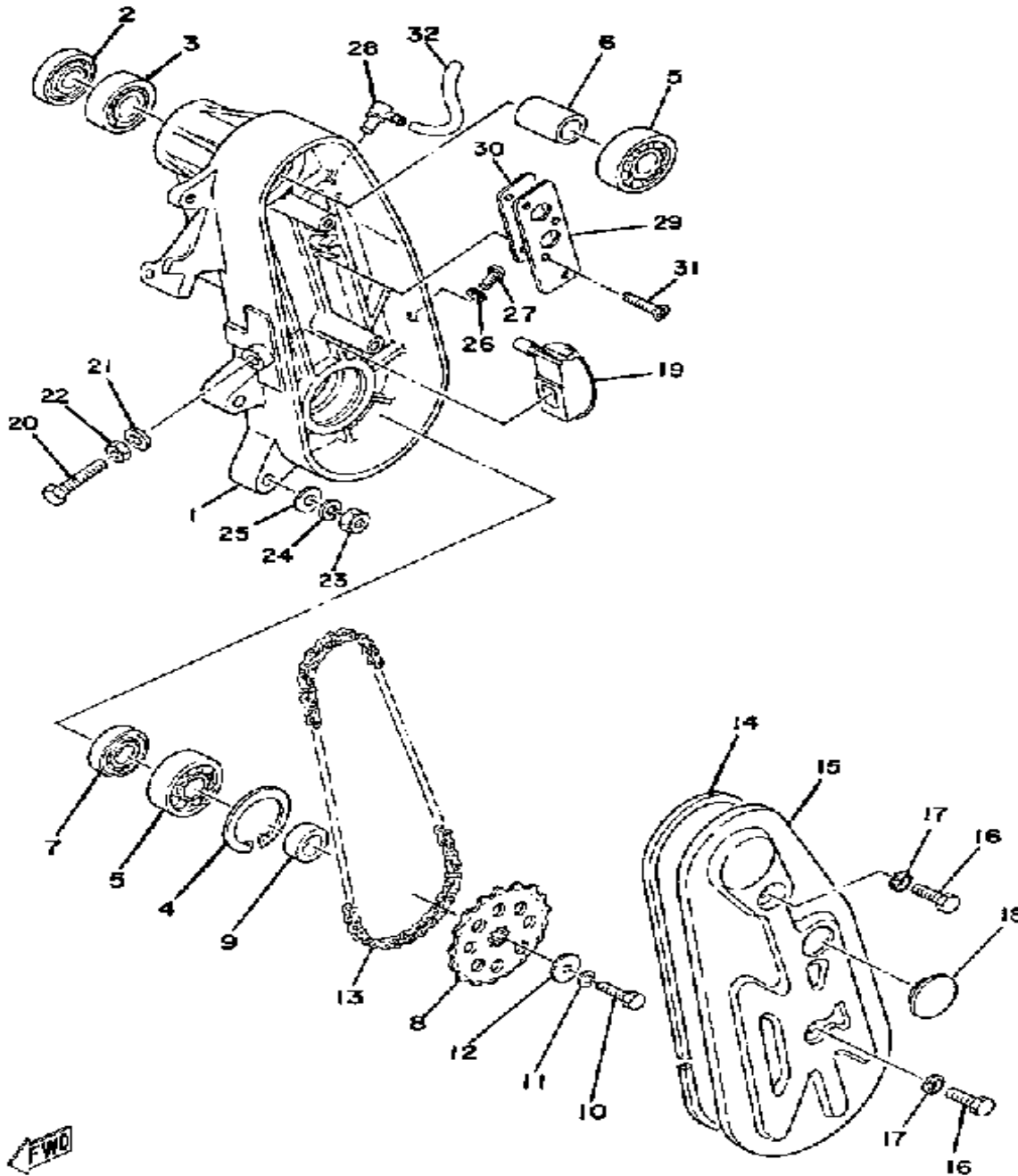
BRAKE ET250C\D\E



Ref. No.	Part Number	Description	Qty	Remarks
1	8F3-25730-00-00	CALIPER BODY 1COMP 1	2	
2	90508-26335-00	SPRING, TORSION	1	
3	90508-26336-00	SPRING, TORSION	1	
4	90249-06012-00	PIN	1	
5	90249-06009-00	PIN	1	
6	90240-08023-00	PIN, CLEVIS	1	
7	91490-20020-00	PIN, COTTER	3	
8	92901-08600-00	WASHER	2	
9	90101-05355-00	BOLT	1	
10	95311-05700-00	NUT	1	

Property of www.SmallEngineDiscount.com - Not for Resale

TRACK DRIVE ET250C

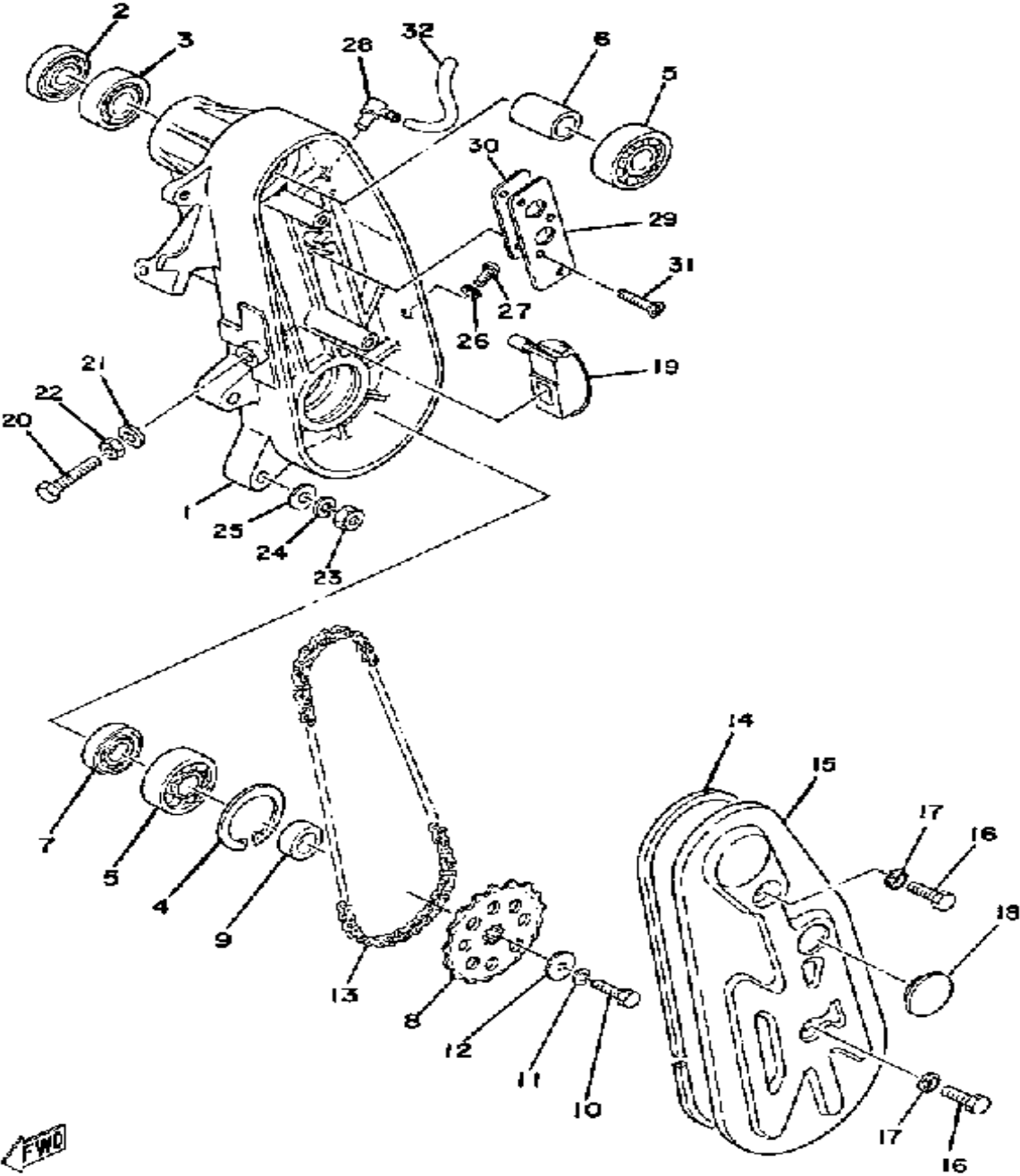


Ref. No.	Part Number	Description	Qty	Remarks
1	8F3-47541-00-00	HOUSING, CHAIN	1	
2	93102-30083-00	SEAL, OIL	1	
3	93306-20458-00	BEARING	1	
4	99009-52500-00	CIRCLIP	1	
5	93306-30407-00	BEARING (B6304C3)	2	
6	90387-20580-00	COLLAR	1	
7	93102-20447-00	OIL SEAL	1	
8	8F3-47548-10-00	SPROCKET, CHAIN DRIVEN (21T)	1	U.R.
	8F3-47548-20-00	SPROCKET, CHAIN DRIVEN (22T)	1	U.R.äSTD
9	90387-20155-00	COLLAR	1	
10	97013-08025-00	BOLT	1	
11	92990-08100-00	WASHER	1	
12	90201-08107-00	WASHER, PLATE	1	
13	94580-01060-00	CHAIN (DID40K 60L)	1	
14	8F3-47558-00-00	RING, HOUSING (97302-08020)	1	
15	8F3-47543-00-00	CAP, HOUSING	1	
16	97313-08020-00	BOLT, HEXAGON	2	
17	90210-08002-00	WASHER, SEAL	2	
18	148-22315-00-00	CAP	1	
19	8F3-47611-02-00	TENSIONER	1	
20	90101-10357-00	BOLT	1	
21	90210-10004-00	WASHER, SEAL	1	
22	95303-10700-00	NUT	1	
23	95333-08600-00	NUT	4	
24	92990-08100-00	WASHER	4	
25	92990-08200-00	WASHER, PLAIN	4	
26	90430-06016-00	GASKET	1	

CONTINUED ON NEXT FRAME ►

Property of www.SmallEngineDiscount.com - Not for Resale

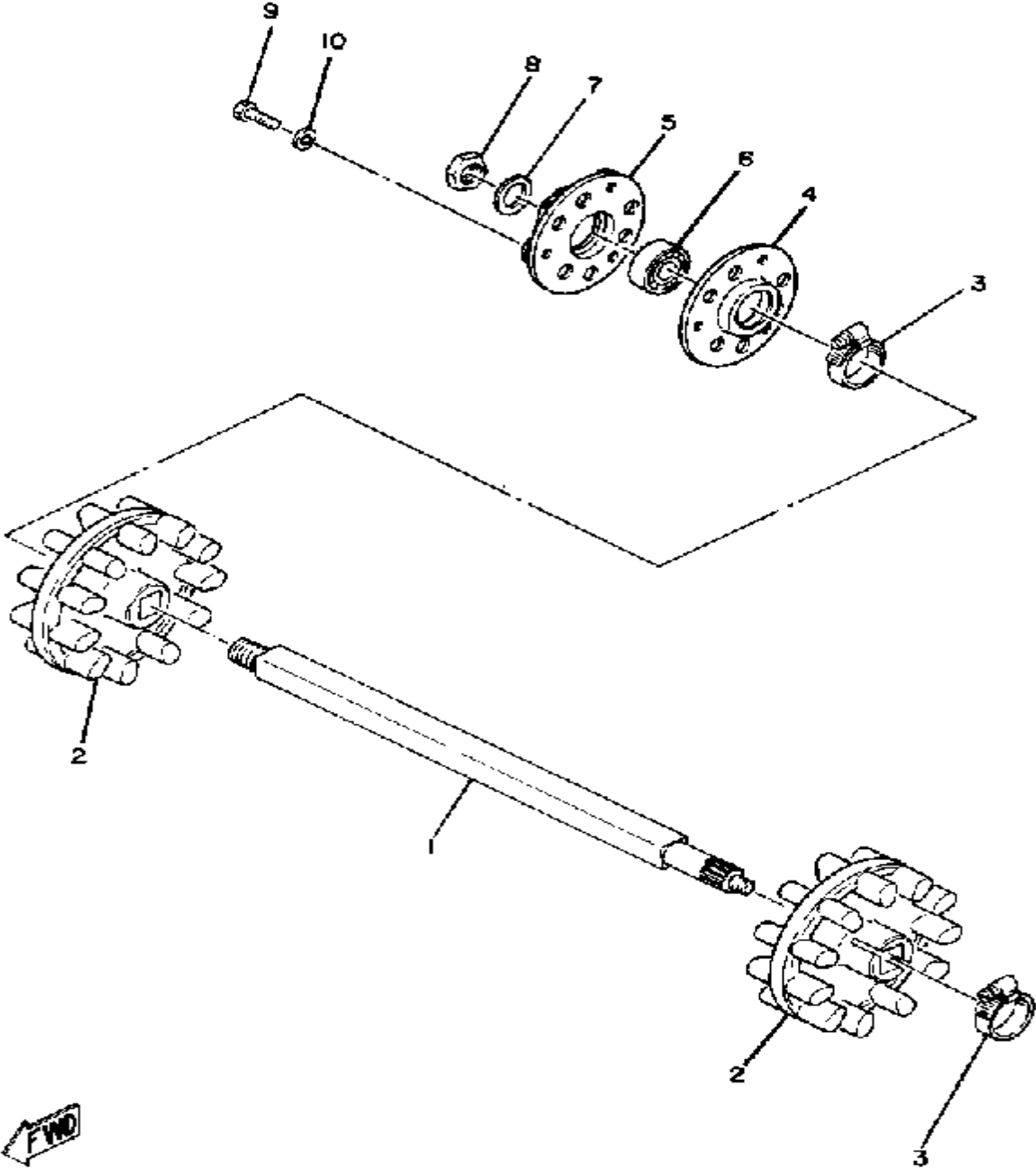
TRACK DRIVE ET250C



Ref. No.	Part Number	Description	Qty	Remarks
27	98580-06010-00	SCREW, PAN HEAD (92503-06010)	1	
28	583-15371-00-00	BREATHER	1	
29	8G8-47591-00-00	PLATE	1	
30	85T-47592-00-00	GASKET	1	
31	98701-05016-00	SCREW, FLAT HEAD	4	
32	90445-09055-00	HOSE	1	

Property of www.SmallEngineDiscount.com - Not for Resale

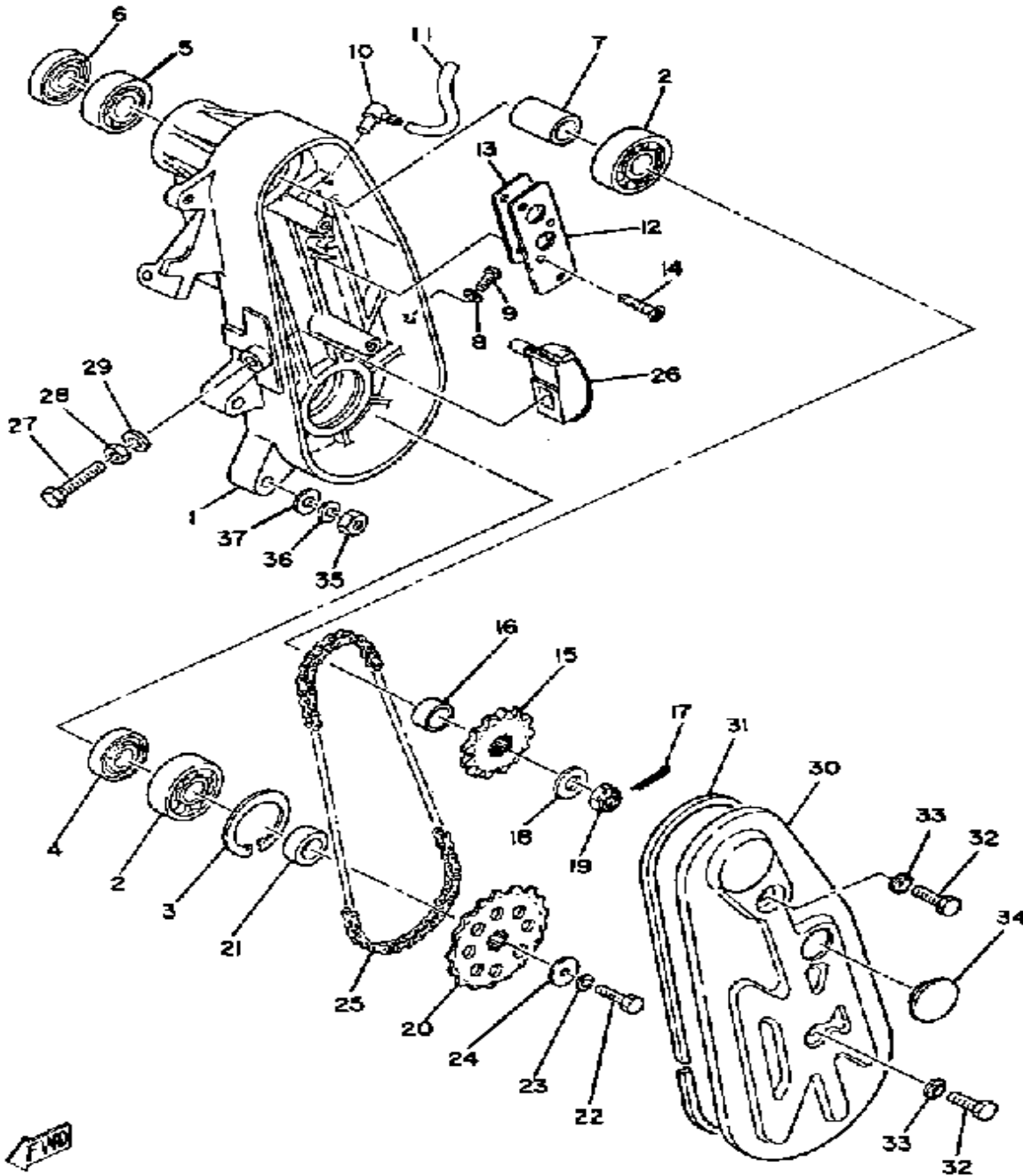
TRACK DRIVE 1 ET250DIE



Ref. No.	Part Number	Description	Qty	Remarks
1	8F3-W4751-00-00	AXLE, FRONT	1	
2	8H9-47531-00-00	WHEEL, SPROCKET 1	2	
3	90460-50079-00	CLAMP, HOSE	2	
4	8F3-47551-00-00	HOUSING, FRONT AXLE	1	
5	8G5-47551-01-00	HOUSING, FRONT AXLE	1	
6	93306-00441-00	BEARING (89A) (B6004RS) ...	1	
7	90208-20008-00	WASHER, CONICAL SPRING ..	1	
8	90170-20211-00	NUT	1	
9	97011-08016-00	BOLT	1	
	97011-08016-00	BOLT	3	
10	92990-08100-00	WASHER	3	

Property of www.SmallEngineDiscount.com - Not for Resale

TRACK DRIVE 2 ET250DIE

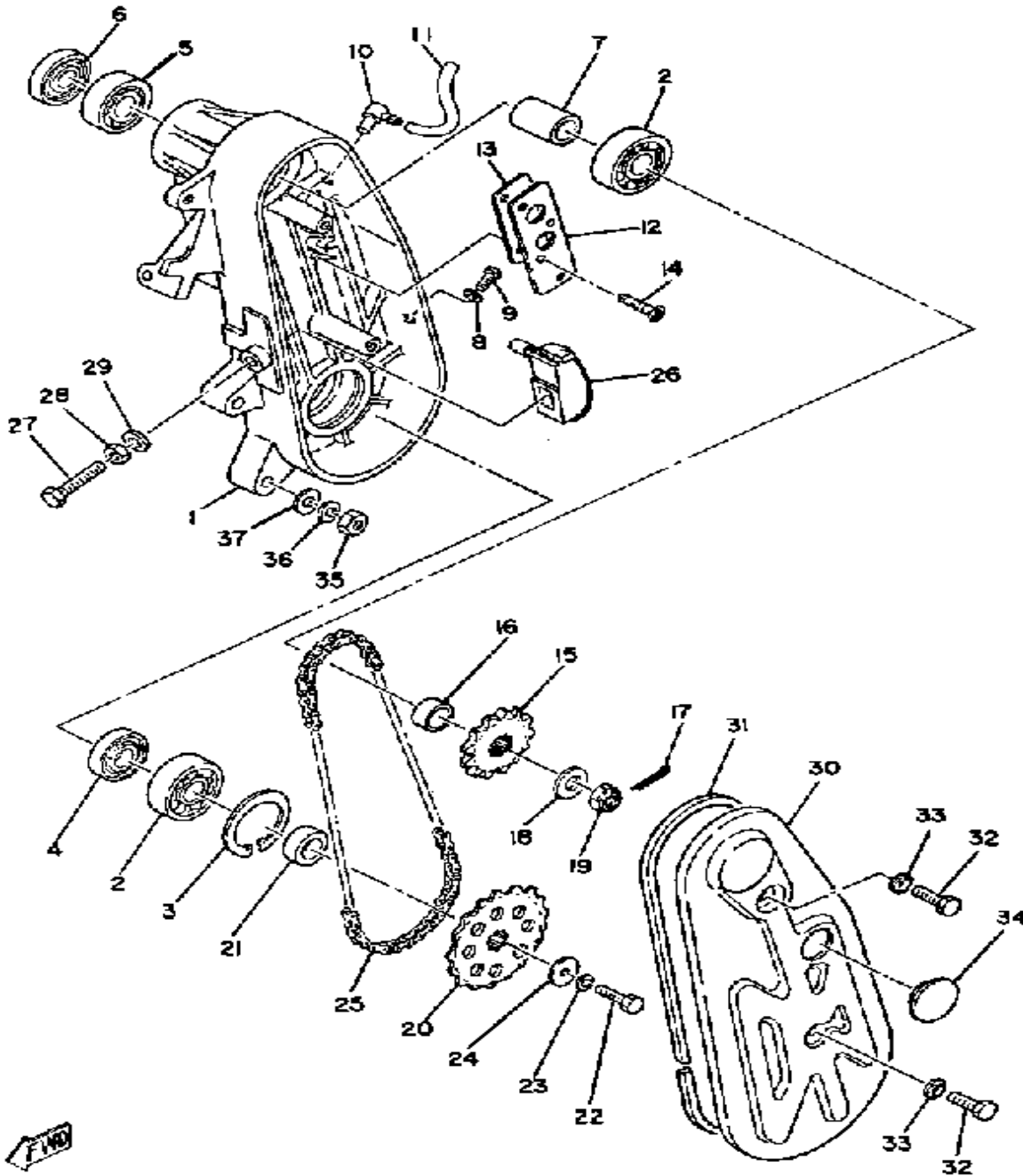


Ref. No.	Part Number	Description	Qty	Remarks
1	8F3-47541-00-00	HOUSING, CHAIN	1	
2	93306-30407-00	BEARING (B6304C3)	2	
3	99009-52500-00	CIRCLIP	1	
4	93102-20447-00	OIL SEAL	1	
5	93306-20458-00	BEARING	1	
6	93102-30083-00	SEAL, OIL	1	
7	90387-20580-00	COLLAR	1	
8	90430-06016-00	GASKET	1	
9	98580-06010-00	SCREW, PAN HEAD (92503-06010)	1	
10	583-15371-00-00	BREATHER	1	
11	90445-09055-00	HOSE	1	
12	8G8-47591-00-00	PLATE	1	
13	85T-47592-00-00	GASKET	1	
14	98702-05014-00	SCREW, FLAT HEAD	1	
	98702-05014-00	SCREW, FLAT HEAD	4	
15	812-17682-10-00	SPROCKET, CHAIN DRIVE (11T)	1	ALT. PART
	812-17682-10-00	SPROCKET, CHAIN DRIVE (11T)	4	ALT. PART
	812-17682-20-00	SPROCKET, CHAIN DRIVE (12T)	1	ALT. PART
	812-17682-30-00	SPROCKET, CHAIN DRIVE (13T)	1	STD
	812-17682-40-00	SPROCKET, CHAIN DRIVE (14T)	1	ALT. PART
16	90387-19579-00	COLLAR	1	
17	91401-25030-00	PIN, COTTER	1	
18	90201-122H1-00	WASHER, PLATE	1	
19	90185-12119-00	NUT, SELF-LOCKING	1	
20	8F3-47548-10-00	SPROCKET, CHAIN DRIVEN (21T)	1	ALT. PART

CONTINUED ON NEXT FRAME ►

Property of www.SmallEngineDiscount.com - Not for Resale

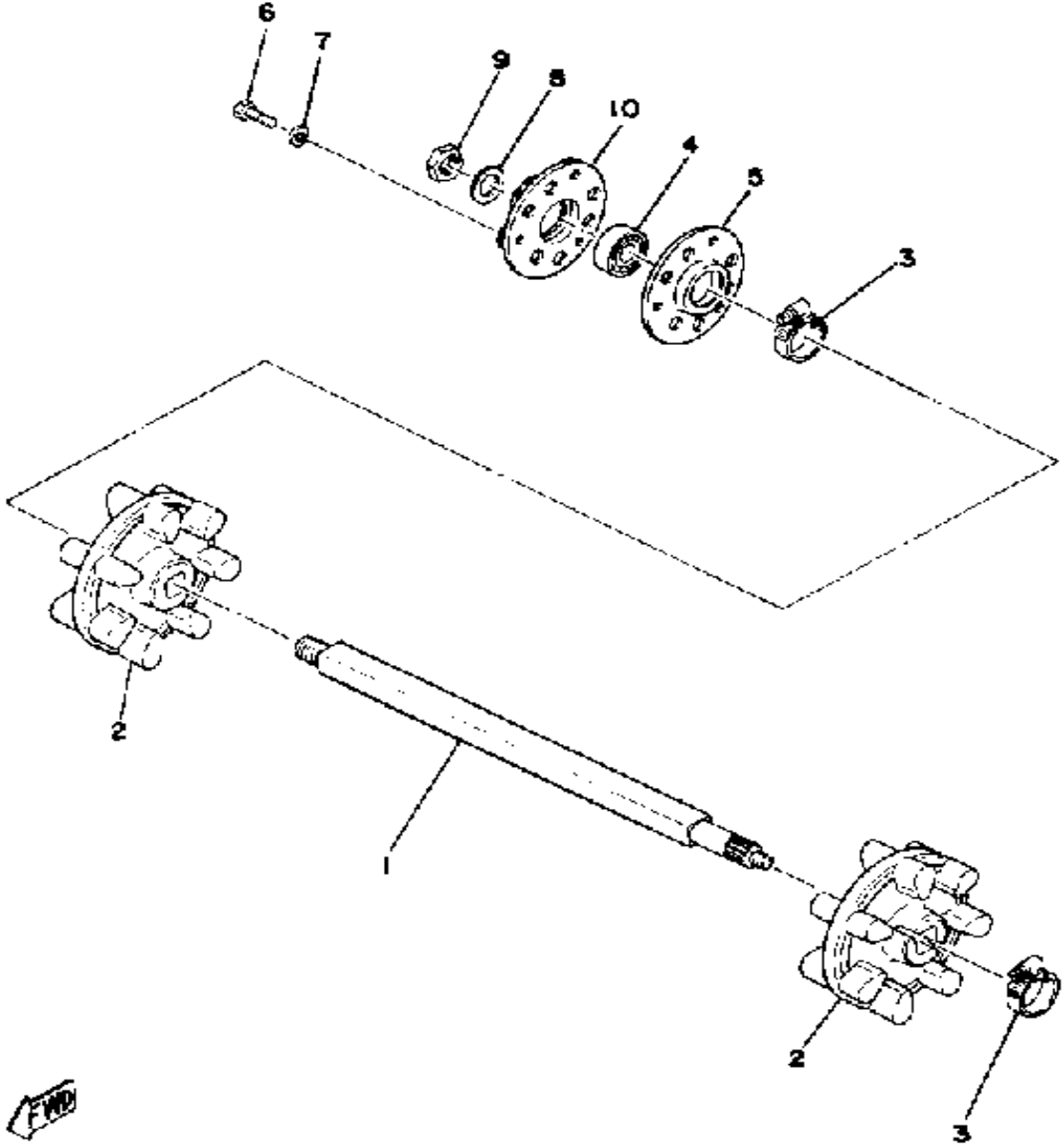
TRACK DRIVE 2 ET250DIE



Ref. No.	Part Number	Description	Qty	Remarks
20	8F3-47548-20-00	SPROCKET, CHAIN DRIVEN (22T)	1	STD
	8F3-47548-30-00	SPROCKET, CHAIN DRIVEN (23T)	1	ALT. PART
	8F3-47548-40-00	SPROCKET, CHAIN DRIVEN (24T)	1	ALT. PART
21	90387-20155-00	COLLAR	1	
22	97013-08025-00	BOLT	1	
23	92990-08100-00	WASHER	1	
24	90201-08748-00	WASHER, PLATE	1	
25	94580-01060-00	CHAIN (DID40K 60L)	1	
26	8F3-47611-02-00	TENSIONER	1	
27	90101-10357-00	BOLT	1	
28	95303-10700-00	NUT	1	
29	90210-10004-00	WASHER, SEAL	1	
30	8F3-47543-00-00	CAP, HOUSING	1	
31	8F3-47558-00-00	RING, HOUSING (97302-08020)	1	
32	97313-08020-00	BOLT, HEXAGON	2	
33	90210-08002-00	WASHER, SEAL	2	
34	148-22315-00-00	CAP	1	
35	95333-08600-00	NUT	4	
36	92990-08100-00	WASHER	4	
37	92990-08200-00	WASHER, PLAIN	4	

Property of www.SmallEngineDiscount.com - Not for Resale

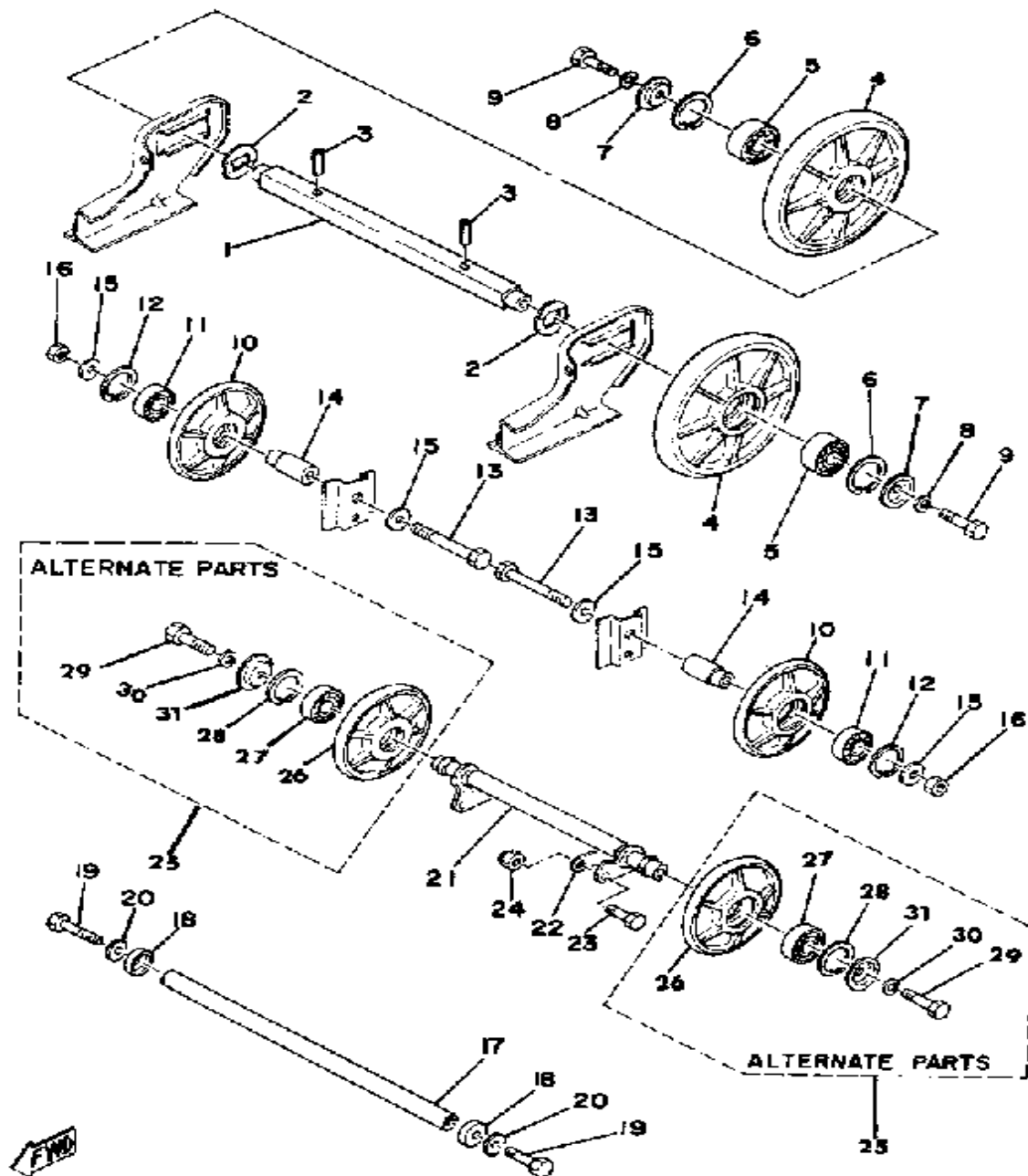
FRONT AXLE ET250C



Ref. No.	Part Number	Description	Qty	Remarks
1	8F3-W4751-00-00	AXLE, FRONT	1	
2	8F3-47531-00-00	WHEEL, SPROCKET 1	2	
3	90460-50079-00	CLAMP, HOSE	2	
4	93306-00441-00	BEARING (89A) (B6004RS)	1	
5	8F3-47551-00-00	HOUSING, FRONT AXLE	1	
6	97011-08016-00	BOLT	3	
7	92990-08100-00	WASHER	3	
8	90208-20008-00	WASHER, CONICAL SPRING	1	
9	90170-20211-00	NUT	1	
10	8G5-47551-01-00	HOUSING, FRONT AXLE	1	

Property of www.SmallEngineDiscount.com - Not for Resale

REAR AXLE - WHEEL ET250C

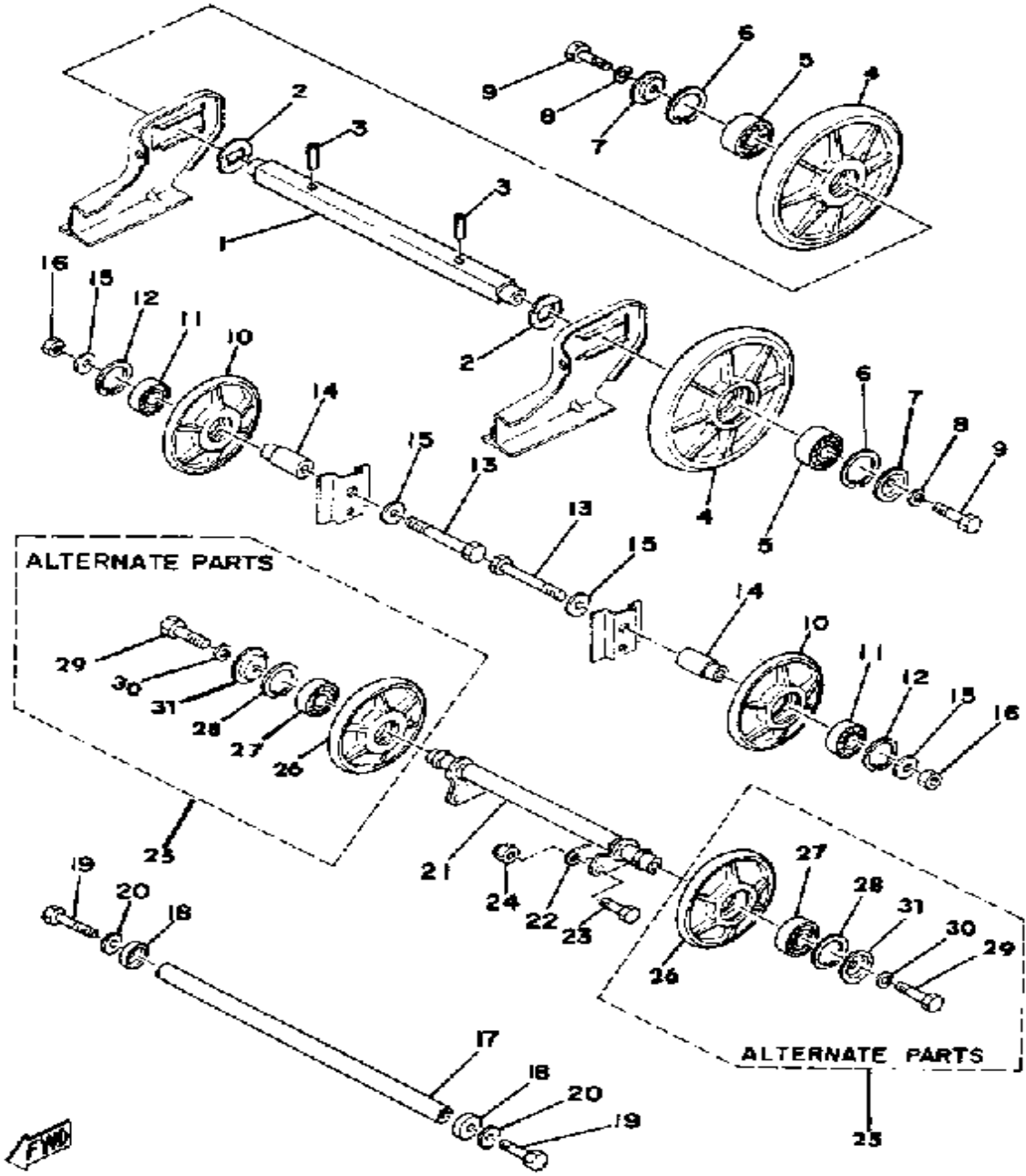


Ref. No.	Part Number	Description	Qty	Remarks
1	8F3-47521-00-00	AXLE, REAR	1	
2	90209-23152-00	WASHER, SPEC'L SHAP	2	
3	91609-40040-00	PIN, SPRING	2	
4	8L4-47530-00-00	GUIDE WHEEL COMP.	2	
5	93306-20417-00	BEARING (B62042RS)	2	
6	99009-47500-00	CIRCLIP	2	
7	90209-08124-00	WASHER, SPEC'L SHAP	2	
8	92990-08100-00	WASHER	2	
9	97013-08025-00	BOLT	2	
10	885-47320-01-00	SUSPENSION WHEEL COMP.	2	
11	93306-00441-00	BEARING (89A) (B6004RS)	2	
12	99009-42500-00	CIRCLIP	2	
13	90101-12356-00	BOLT	2	
14	90387-12584-00	COLLAR	2	
15	92990-12200-00	WASHER, PLAIN	4	
16	90185-12067-00	NUT, SELF-LOCKING	2	
17	8A5-47465-02-00	SHAFT 1	1	
18	8U7-47341-00-00	SPACER	2	
19	97013-10030-00	BOLT (8J7) (97303-10030)	2	
20	90208-10012-00	WASHER, CONICAL SPRING	2	
21	8N4-47451-00-00	BAR, SUSPENSION	1	
22	8G5-47466-00-00	SPACER	2	
23	97313-08030-00	BOLT, HEXAGON	4	
24	95712-08300-00	NUT, LOCK	4	
25	(8G5-47000-00-00)	IDLER WHEEL KIT		SEE S7-011
26	885-47320-01-00	. SUSPENSION WHEEL COMP.	2	
27	93306-00441-00	. BEARING (89A) (B6004RS)	2	
28	99009-42500-00	. CIRCLIP	2	
29	97011-06020-00	. BOLT	2	

CONTINUED ON NEXT FRAME ➤

Property of www.SmallEngineDiscount.com - Not for Resale

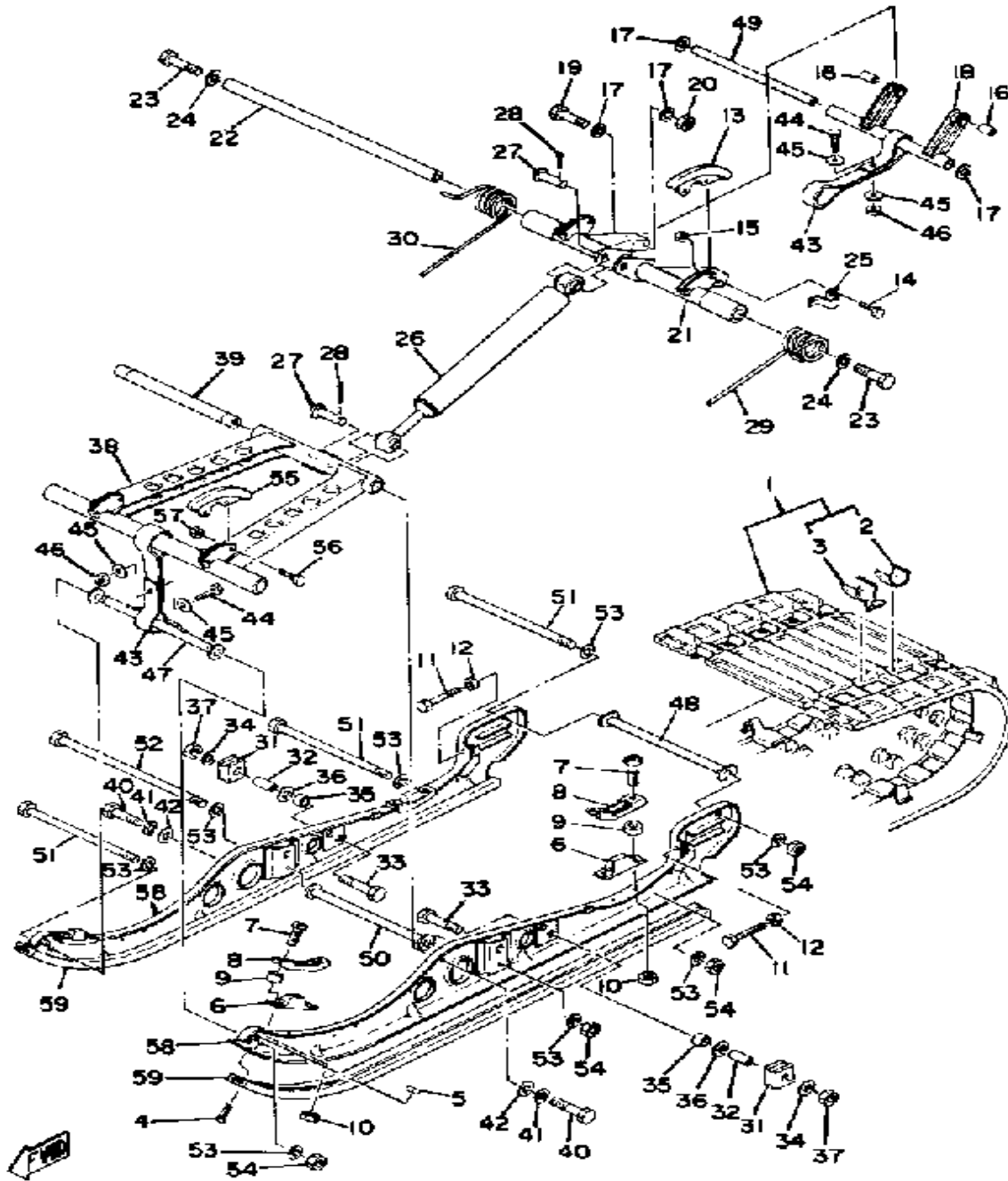
REAR AXLE - WHEEL ET250C



Ref. No.	Part Number	Description	Qty	Remarks
30	92995-06100-00	. WASHER, SPRING	2	
31	90209-06137-00	. WASHER, SPEC'L SHAP ...	2	

Property of www.SmallEngineDiscount.com - Not for Resale

TRACK SUSPENSION ET250C

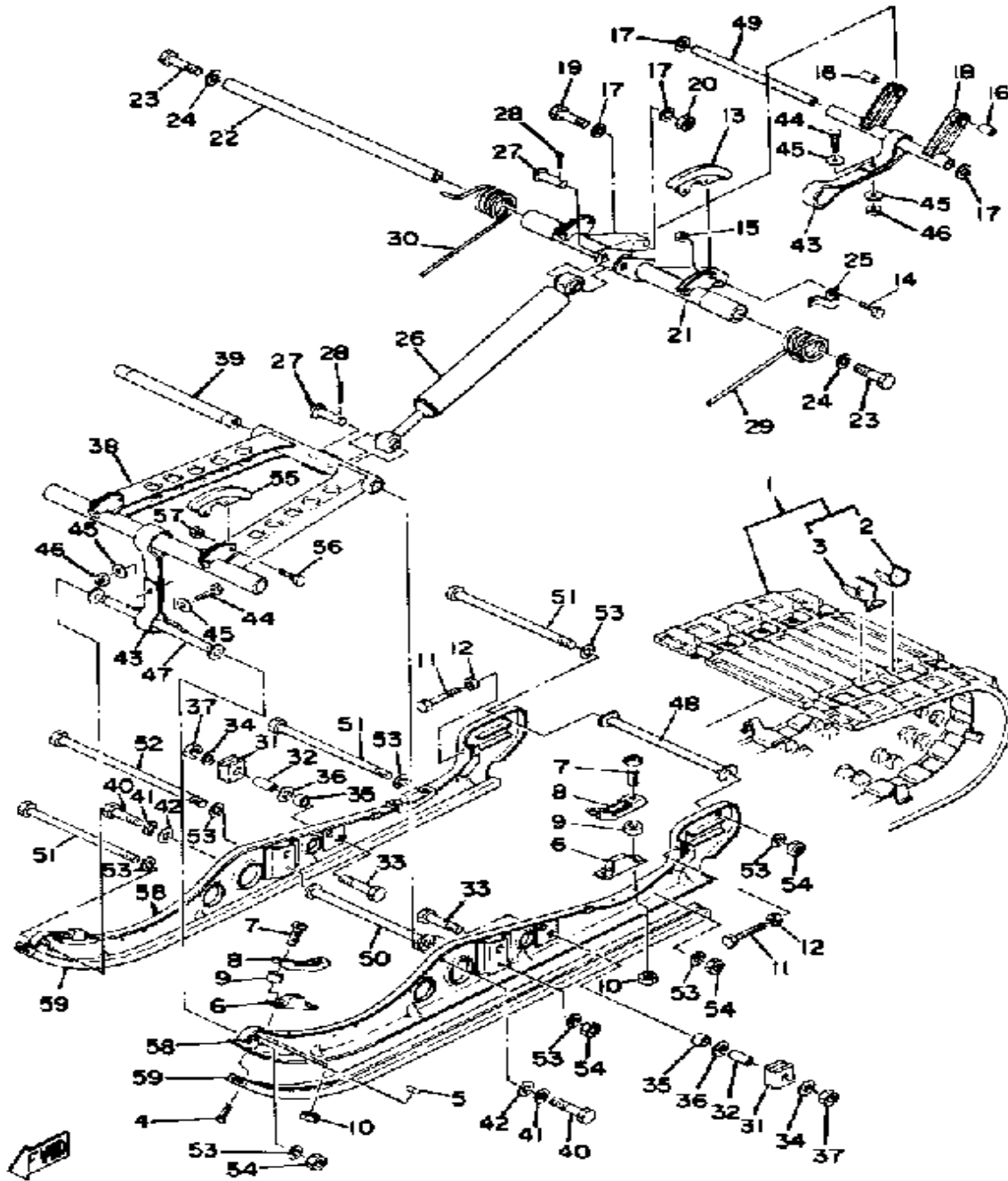


Ref. No.	Part Number	Description	Qty	Remarks
1	(8F3-47110-01-00)	TRACK ASSEMBLY	1	
2	8A5-47113-00-00	. PLATE, REINFORCEMENT	40	
3	8A5-47115-00-00	. METAL, SLIDE	40	
4	90151-06010-00	SCREW, COUNTERSUNK	2	
5	90173-06006-00	NUT, SQUARE	2	
6	8F3-47456-00-00	DAMPER 1	4	
7	98580-05016-00	SCREW, PAN HEAD	8	
8	8F3-47458-00-00	PLATE, DAMPER	4	
9	90387-06022-00	COLLAR	8	
10	95380-05600-00	NUT	8	
11	90101-10293-00	BOLT	2	
12	95303-10700-00	NUT	2	
13	8F3-47422-01-00	RUNNER, SLIDING 2	2	
14	97011-06025-00	BOLT (97001-06025)	4	
15	95701-06300-00	NUT, NYLON	4	
16	90387-08508-00	COLLAR	2	
17	90201-08649-00	WASHER, PLATE	6	
18	8G5-47417-00-00	BRACKET 3	1	
19	97313-08045-00	BOLT	2	
20	95712-08300-00	NUT, LOCK	2	
21	8F3-47332-01-00	ARM, PIVOT 2	1	
22	8A5-47465-02-00	SHAFT 1	1	
23	97013-10030-00	BOLT (8J7) (97303-10030)	2	
24	90208-10012-00	WASHER, CONICAL SPRING	2	
25	(8F3-47349-01-00)	BRACKET, ARM PIVOT	2	
26	8F3-47480-00-00	SHOCK ABSORBER	1	
27	90240-12115-00	PIN, CLEVIS	2	
28	91401-30030-00	PIN, COTTER	2	
29	90508-10337-00	SPRING, TORSION	1	

CONTINUED ON NEXT FRAME ►

Property of www.SmallEngineDiscount.com - Not for Resale

TRACK SUSPENSION ET250C

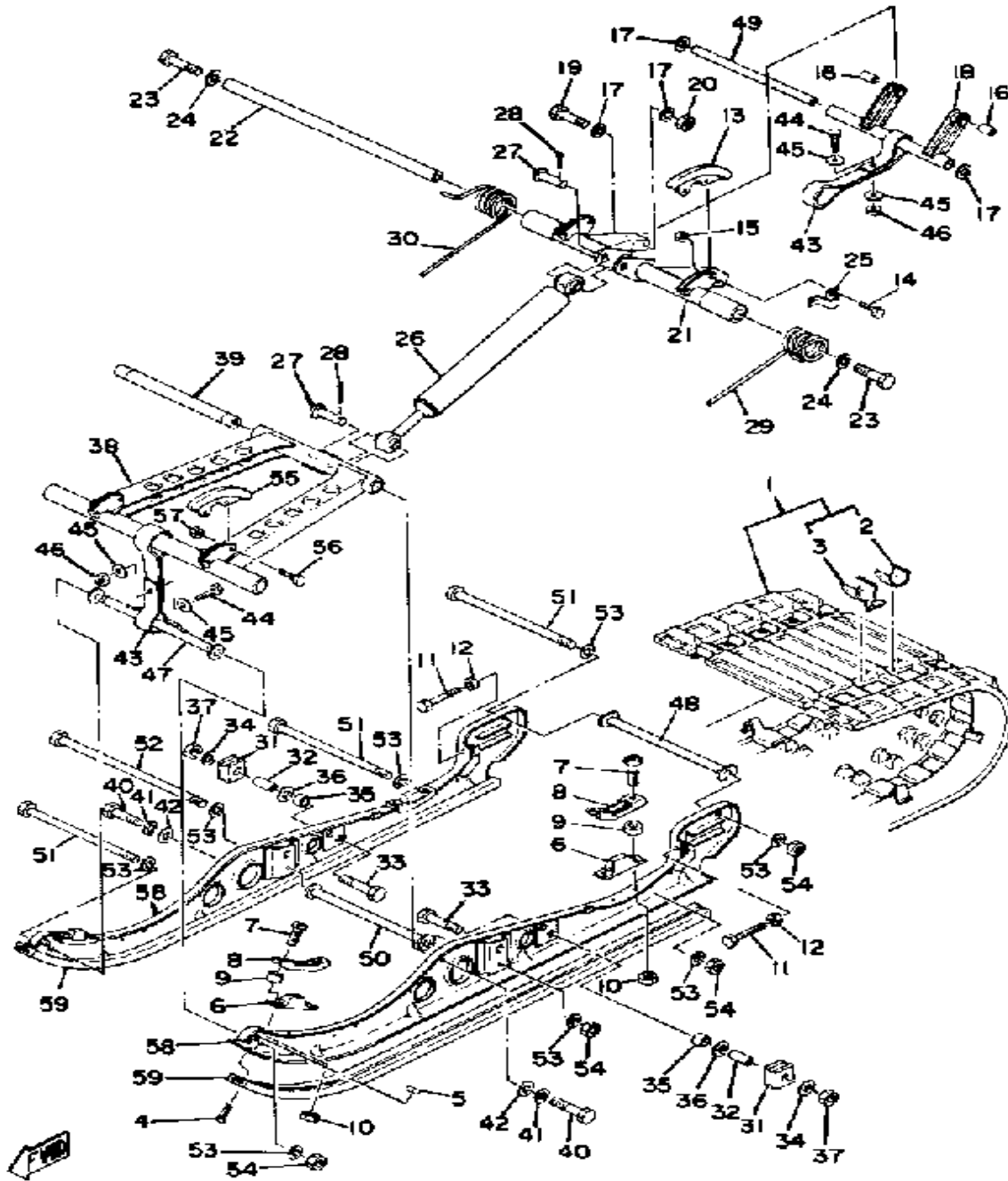


Ref. No.	Part Number	Description	Qty	Remarks
30	90508-10338-00	SPRING, TORSION	1	
31	890-47447-00-00	HOOK 2	2	
32	90387-08262-00	COLLAR	2	
33	97321-08055-00	BOLT, HEXAGON	2	
34	90201-08107-00	WASHER, PLATE	2	
35	90387-12105-00	COLLAR	2	
36	90201-122A7-00	WASHER, PLATE	2	
37	95712-08300-00	NUT, LOCK	2	
38	8G5-47331-00-00	ARM, PIVOT 1	1	
39	8G5-47485-00-00	SHAFT 3	1	
40	97013-10030-00	BOLT (8J7) (97303-10030)	2	
41	90208-10012-00	WASHER, CONICAL SPRING	2	
42	90201-10322-00	WASHER, PLATE	2	
43	8F3-47495-00-00	STOPPER 1	2	
44	97011-06025-00	BOLT (97001-06025)	2	
45	90201-06407-00	WASHER, PLATE (90201-06747-00)	4	
46	95701-06300-00	NUT, NYLON	2	
47	8G5-47415-00-00	BRACKET 1	1	
48	90387-08581-00	COLLAR	1	
49	90387-08632-00	COLLAR	1	
50	90387-08583-00	COLLAR	1	
51	97022-08250-00	BOLT	3	
52	97022-08260-00	BOLT, HEXAGON	1	
53	92901-08600-00	WASHER	8	
54	95712-08300-00	NUT, LOCK	4	
55	(8G5-47422-00-00)	RUNNER, SLIDING 2	2	
56	97011-06025-00	BOLT (97001-06025)	4	
57	95701-06300-00	NUT, NYLON	4	

CONTINUED ON NEXT FRAME ►

Property of www.SmallEngineDiscount.com - Not for Resale

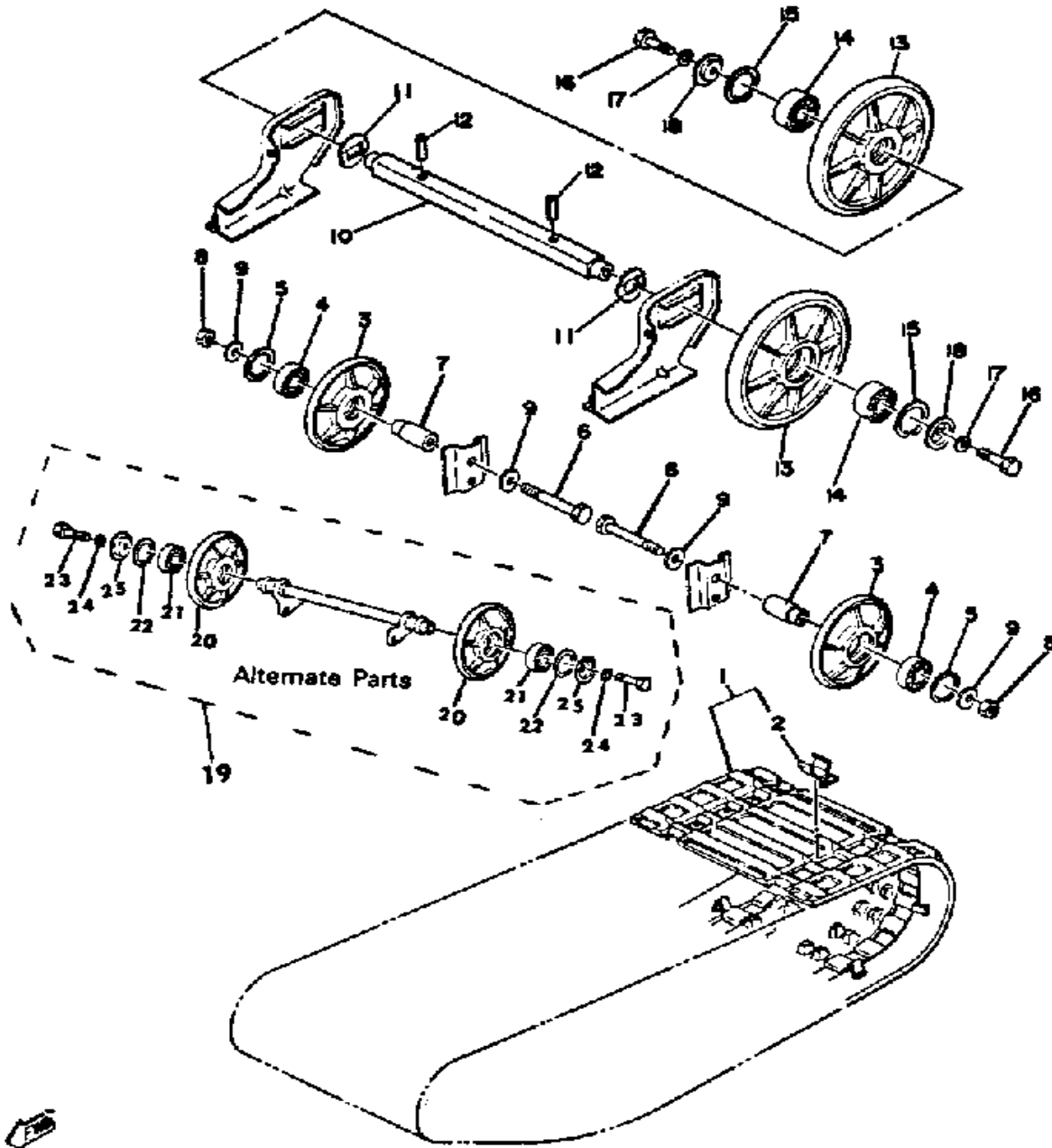
TRACK SUSPENSION ET250C



Ref. No.	Part Number	Description	Qty	Remarks
58	8G5-47411-00-00	FRAME, SLIDING 1	2	
59	8N4-47421-00-XX	RUNNER, SLIDING 1 (8F3-47421-10)	2	

Property of www.SmallEngineDiscount.com - Not for Resale

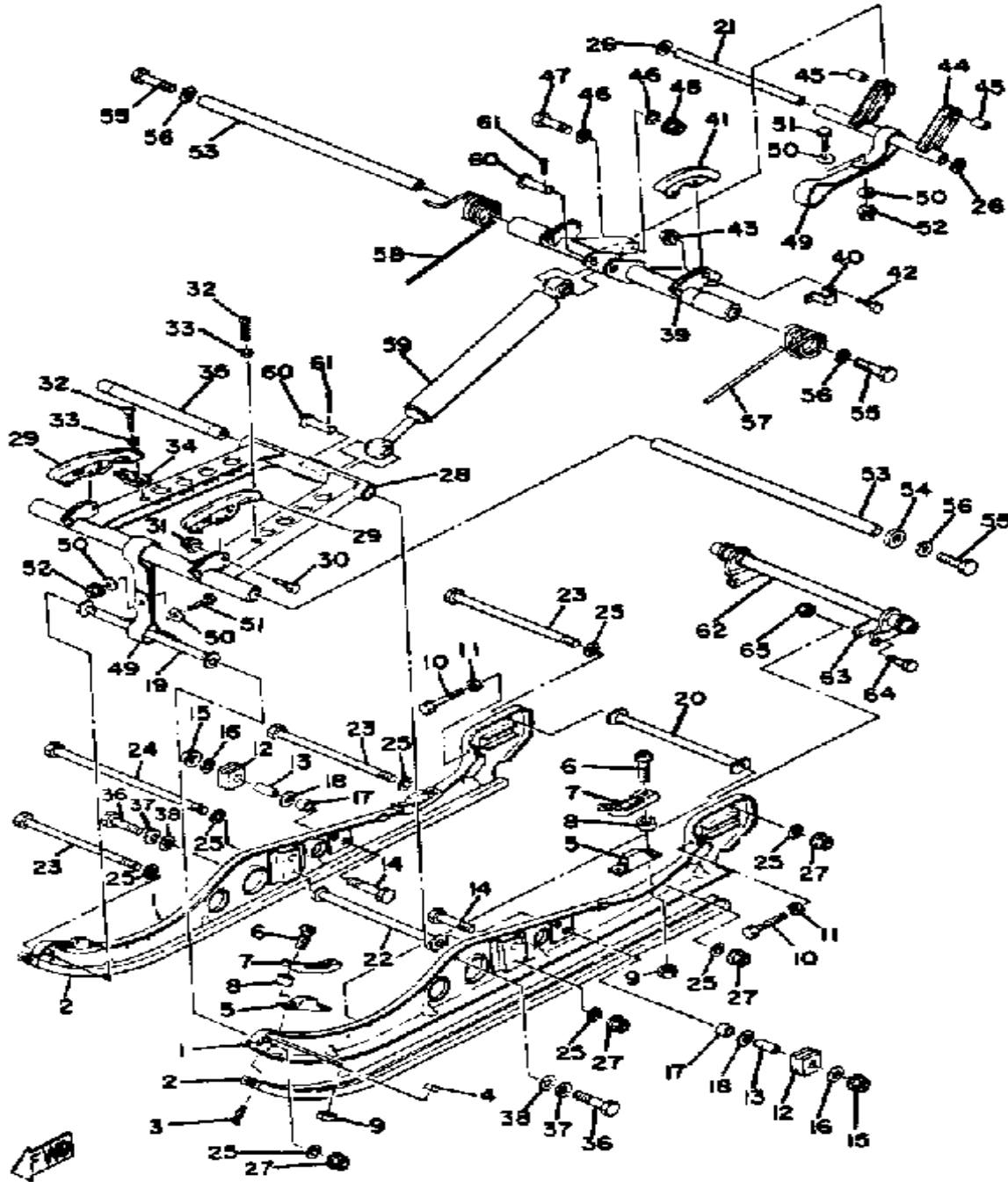
TRACK SUSPENSION 1 ET250D - E



Ref. No.	Part Number	Description	Qty	Remarks
1	8H9-47110-00-00	TRACK ASSEMBLY	1	
2	8A5-47115-00-00	. METAL, SLIDE	62	
3	885-47320-01-00	SUSPENSION WHEEL COMP. .	2	
4	93306-00441-00	BEARING (89A) (B6004RS) ...	2	
5	99009-42500-00	CIRCLIP	2	
6	90101-12356-00	BOLT	2	
7	90387-12584-00	COLLAR	2	
8	95712-12300-00	2	2	
9	92990-12200-00	WASHER, PLAIN	4	
10	8F3-47521-00-00	AXLE, REAR	1	
11	90209-23152-00	WASHER, SPEC'L SHAP	2	
12	91609-40040-00	PIN, SPRING	2	
13	8L4-47530-00-00	GUIDE WHEEL COMP.	2	
14	93306-20417-00	BEARING (B62042RS)	2	
15	99009-47500-00	CIRCLIP	2	
16	97013-08025-00	BOLT	2	
17	92990-08100-00	WASHER	2	
18	90209-08124-00	WASHER, SPEC'L SHAP	2	
19	(8G5-47000-00-00)	IDLER WHEEL KIT	1	ALTERNATE PARTS
20	885-47320-01-00	. SUSPENSION WHEEL COMP.	2	
21	93306-00441-00	. BEARING (89A) (B6004RS) ..	2	
22	99009-42500-00	. CIRCLIP	2	
23	97011-06020-00	. BOLT	2	
24	92995-06100-00	. WASHER, SPRING	2	
25	90209-06137-00	. WASHER, SPEC'L SHAP	2	

Property of www.SmallEngineDiscount.com - Not for Resale

TRACK SUSPENSION 2 ET250D - E

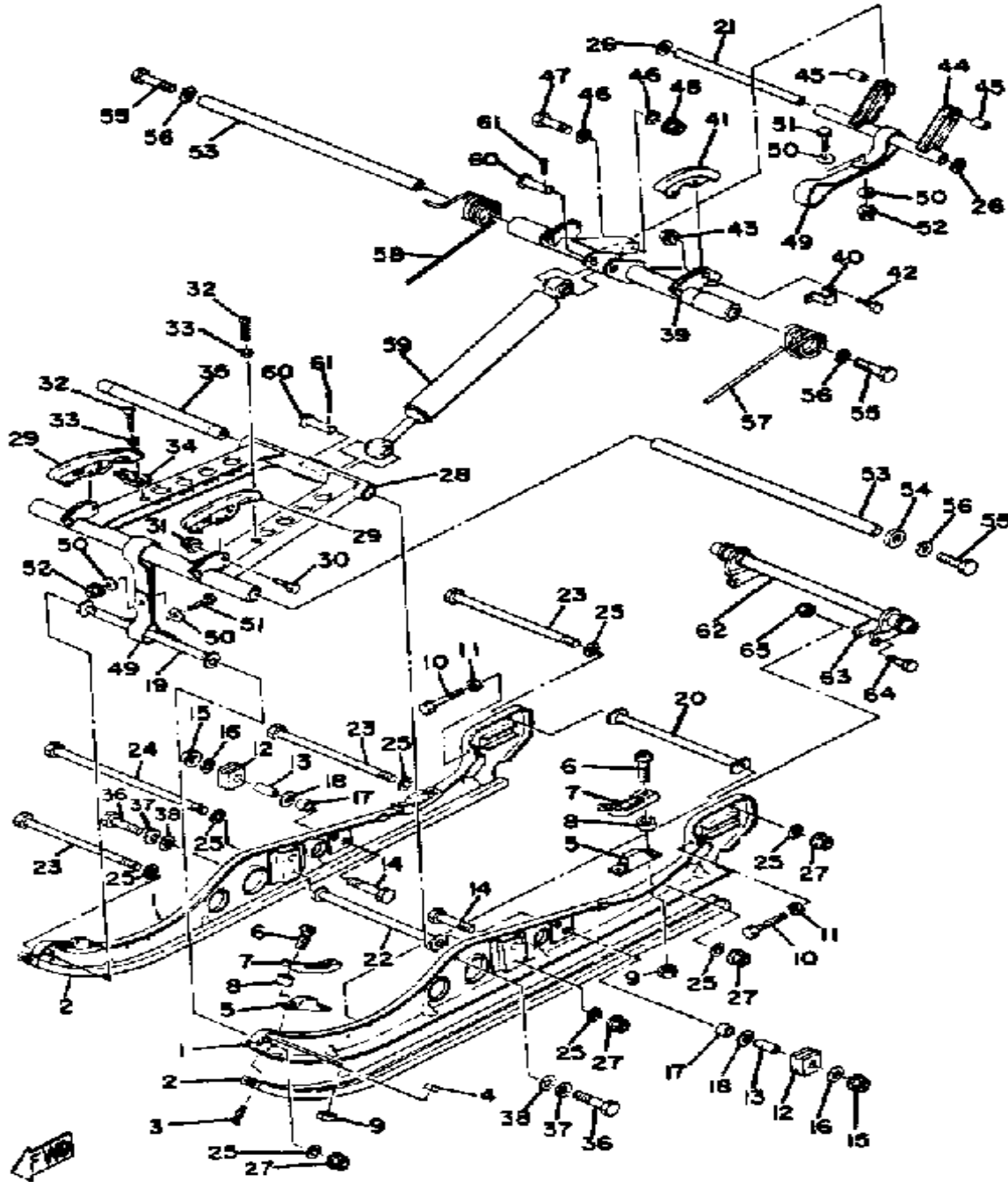


Ref. No.	Part Number	Description	Qty	Remarks
1	8G5-47411-00-00	FRAME, SLIDING 1	2	
2	8N4-47421-00-XX	RUNNER, SLIDING 1 (8F3-47421-10)	2	
3	90151-06010-00	SCREW, COUNTERSUNK	2	
4	90173-06006-00	NUT, SQUARE	2	
5	8F3-47456-00-00	DAMPER 1	4	
6	98580-05014-00	SCREW, PAN HEAD	8	
	98580-05016-00	SCREW, PAN HEAD	8	
7	8F3-47458-00-00	PLATE, DAMPER	4	
8	90387-06022-00	COLLAR	8	
9	95303-10700-00	NUT	8	
	95380-05600-00	NUT	8	
10	90101-10293-00	BOLT	2	
11	95303-10700-00	NUT	2	
12	890-47447-00-00	HOOK 2	2	
13	90387-08262-00	COLLAR	2	
14	97321-08055-00	BOLT, HEXAGON	2	
15	95712-08300-00	NUT, LOCK	2	
16	90201-08748-00	WASHER, PLATE	2	
17	90387-12105-00	COLLAR	2	
18	90201-12749-00	WASHER, PLATE	2	
19	8G5-47415-00-00	BRACKET 1	1	
20	90387-08581-00	COLLAR	1	
21	90387-08632-00	COLLAR	1	
22	90387-08583-00	COLLAR	1	
23	97022-08250-00	BOLT	3	
24	97022-08260-00	BOLT, HEXAGON	1	
25	92901-08600-00	WASHER	8	
26	90201-08649-00	WASHER, PLATE	2	

CONTINUED ON NEXT FRAME ►

Property of www.SmallEngineDiscount.com - Not for Resale

TRACK SUSPENSION 2 ET250D - E

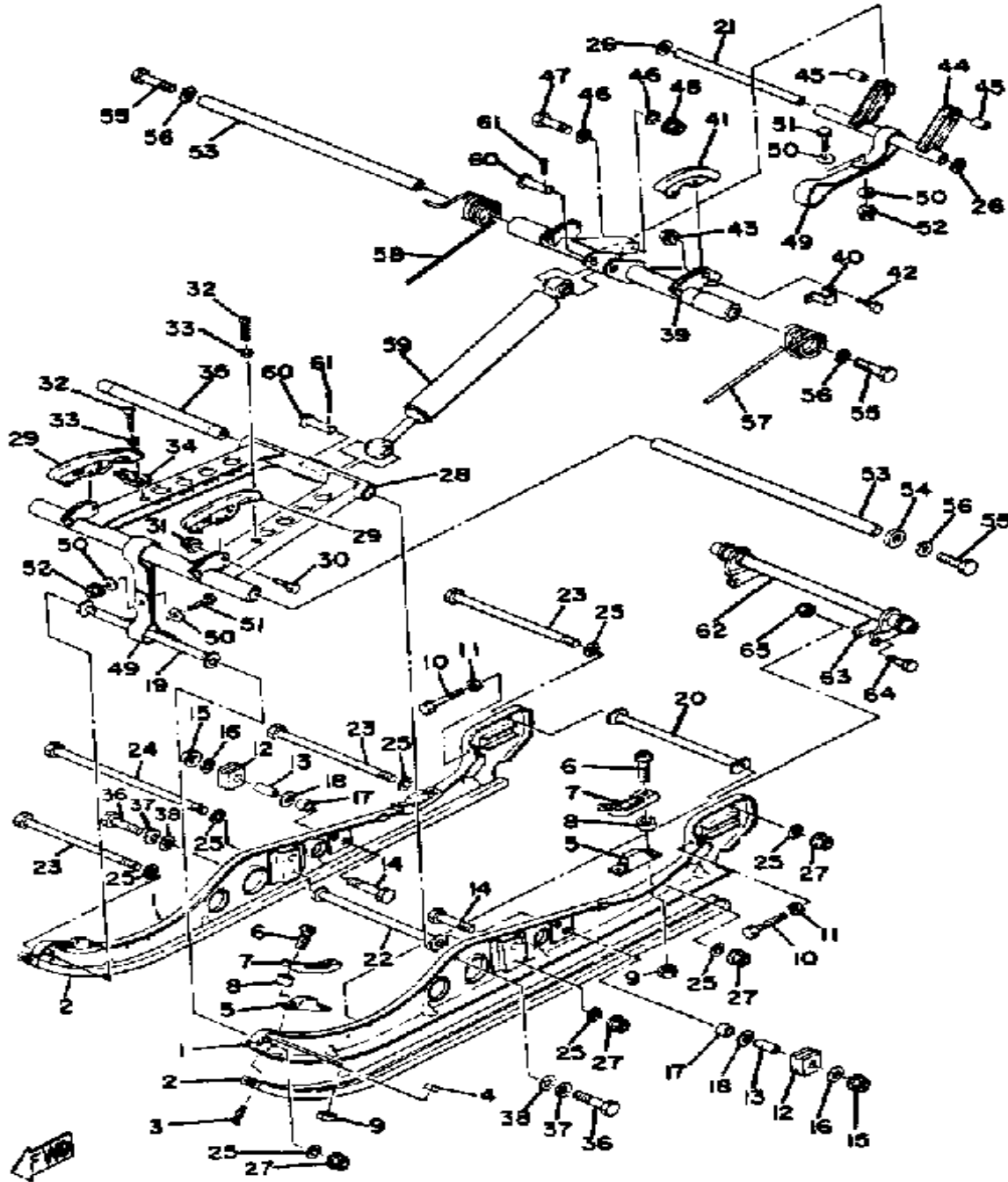


Ref. No.	Part Number	Description	Qty	Remarks
27	95712-08300-00	NUT, LOCK	4	
28	8H9-47331-00-00	ARM, PIVOT 1	1	
29	8G8-47422-00-00	RUNNER, SLIDING 2	2	
30	97011-06025-00	BOLT (97001-06025)	4	
31	95701-06300-00	NUT, NYLON	4	
32	98580-06020-00	SCREW	2	
33	92901-06600-00	WASHER	2	
34	8H9-47467-00-00	PLATE, GUIDE	1	
35	8G5-47485-00-00	SHAFT 3	1	
36	97013-10030-00	BOLT (8J7) (97303-10030)	2	
37	90208-10012-00	WASHER, CONICAL SPRING	2	
38	90201-10322-00	WASHER, PLATE	2	
39	8F3-47332-01-00	ARM, PIVOT 2	1	
40	(8F3-47349-01-00)	BRACKET, ARM PIVOT	2	
41	8F3-47422-01-00	RUNNER, SLIDING 2	2	
42	97011-06025-00	BOLT (97001-06025)	4	
43	95701-06300-00	NUT, NYLON	4	
44	8G5-47417-00-00	BRACKET 3	1	
45	90387-08508-00	COLLAR	2	
46	90201-08649-00	WASHER, PLATE	4	
47	97313-08045-00	BOLT	2	
48	95712-08300-00	NUT, LOCK	2	
49	8F3-47495-00-00	STOPPER 1	2	
50	90201-06407-00	WASHER, PLATE (90201-06747-00)	4	
51	97011-06025-00	BOLT (97001-06025)	2	
52	95701-06300-00	NUT, NYLON	2	
53	8A5-47465-02-00	SHAFT 1	2	
54	8U7-47341-00-00	SPACER	2	

CONTINUED ON NEXT FRAME ➤

Property of www.SmallEngineDiscount.com - Not for Resale

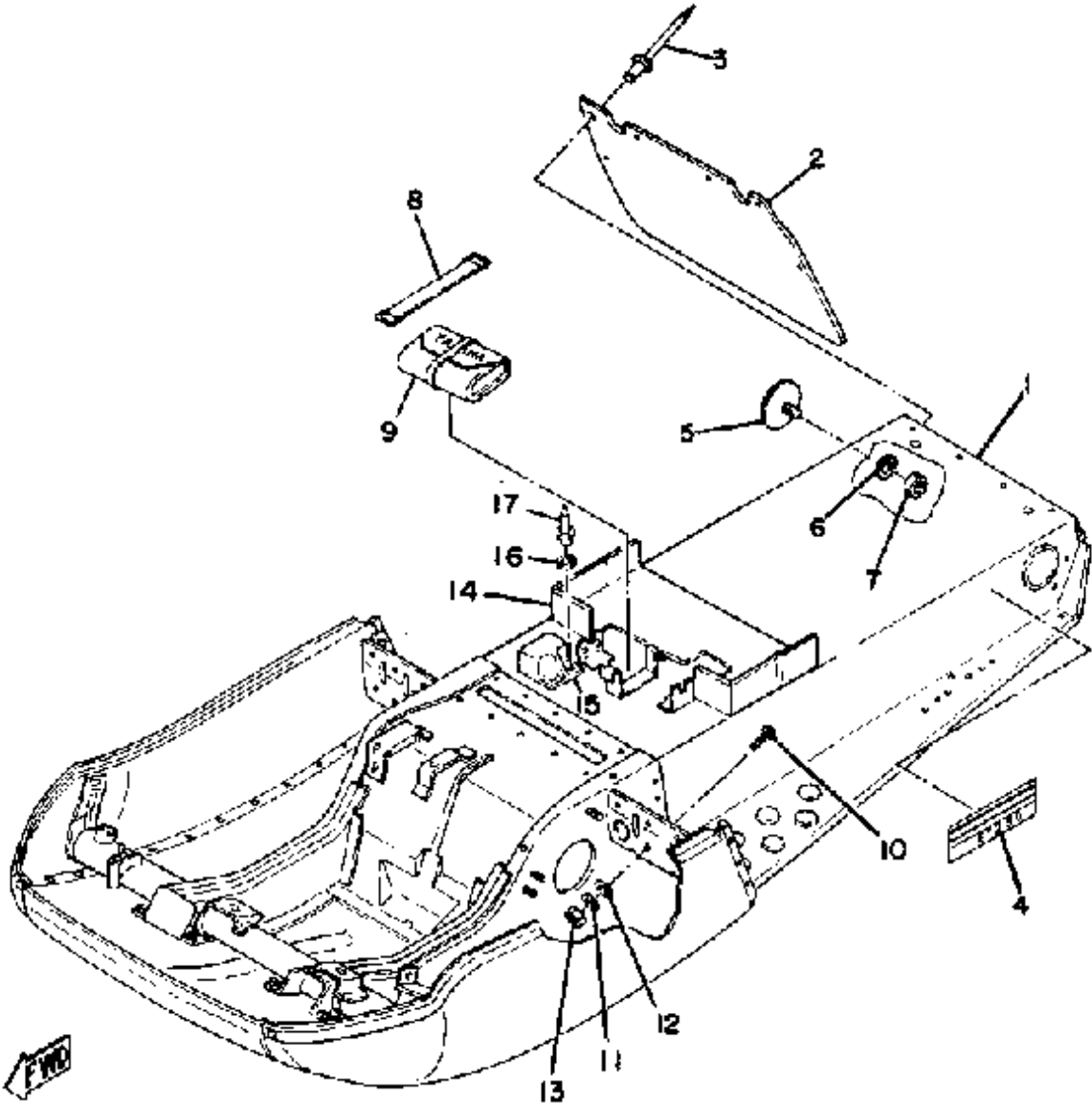
TRACK SUSPENSION 2 ET250D - E



Ref. No.	Part Number	Description	Qty	Remarks
55	97013-10030-00	BOLT (8J7) (97303-10030)	4	
56	90208-10012-00	WASHER, CONICAL SPRING	4	
57	90508-10337-00	SPRING, TORSION	1	
58	90508-10338-00	SPRING, TORSION	1	
59	8F3-47480-00-00	SHOCK ABSORBER	1	
60	90240-12115-00	PIN, CLEVIS	2	
61	91401-30030-00	PIN, COTTER	2	
62	8N4-47451-00-00	BAR, SUSPENSION	1	
63	8G5-47466-00-00	SPACER	2	
64	97313-08030-00	BOLT, HEXAGON	4	
65	95712-08300-00	NUT, LOCK	4	

Property of www.SmallEngineDiscount.com - Not for Resale

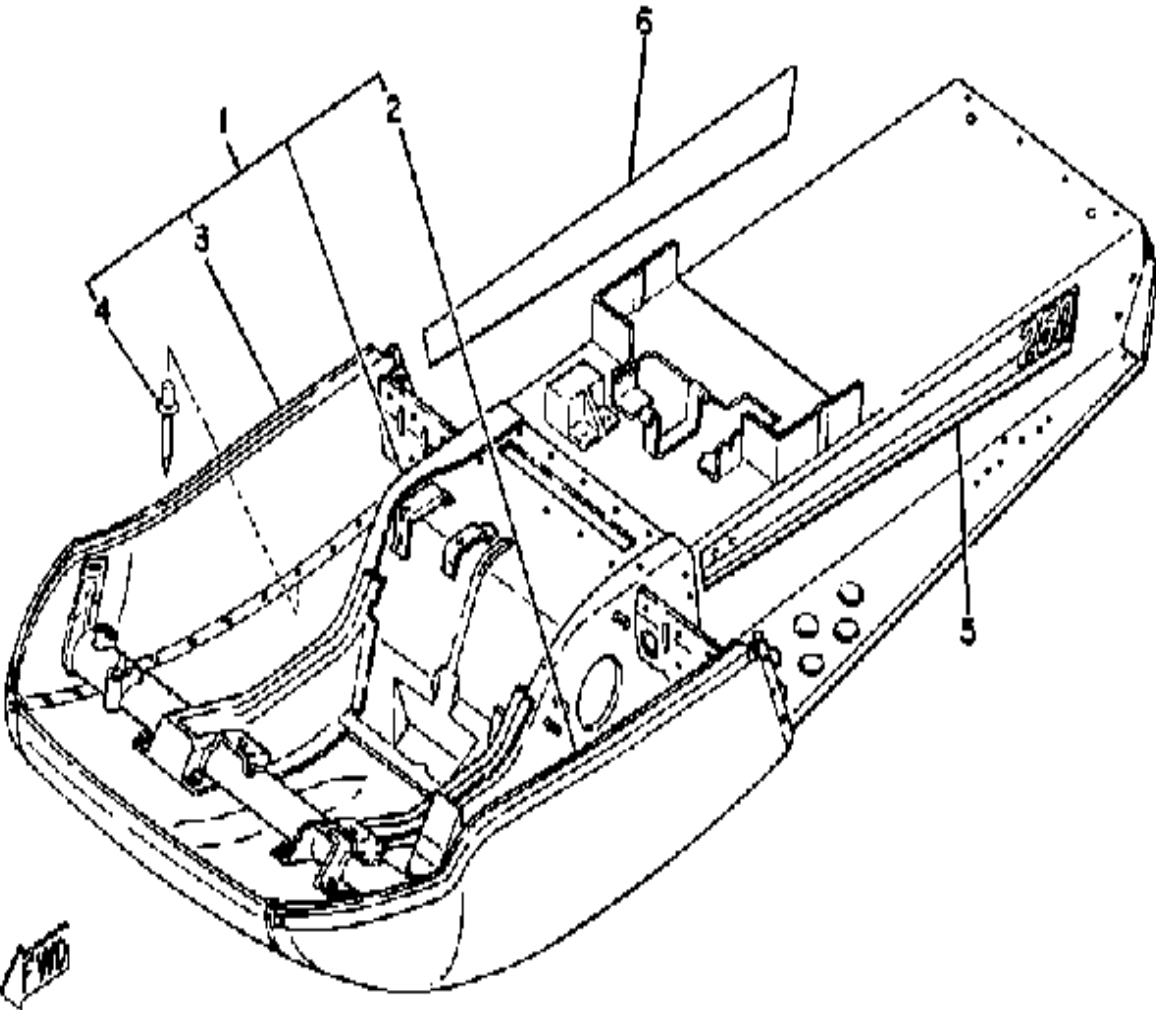
FRAME ET250C



Ref. No.	Part Number	Description	Qty	Remarks
1	(8G5-21910-01-00)	FRAME	1	
2	8F2-77595-00-00	FLAP	1	
3	90267-48086-00	RIVET, BLIND	5	
4	8G5-77354-00-00	EMBLEM 4	2	
5	449-85131-02-00	REFLECTOR, REAR 1	2	
6	92990-05400-00	WASHER, EX.TOOTH	2	
7	95701-05300-00	NUT, NYLON	2	
8	122-82131-00-00	BAND, BATTERY	1	
9	8F3-28100-00-00	TOOL KIT	1	
10	98503-06014-00	SCREW, PAN HEAD (92502-06016)	2	
11	92995-06100-00	WASHER, SPRING	2	
12	92901-06600-00	WASHER	2	
13	95380-06600-00	NUT	2	
14	(8H4-77392-00-00)	COVER, LUGGAGE BOX	1	
15	(8F3-82599-00-00)	COVER, CONNECTER	1	
16	90201-04325-00	WASHER, PLATE	2	
17	90267-48053-00	RIVET, BLIND	2	

Property of www.SmallEngineDiscount.com - Not for Resale

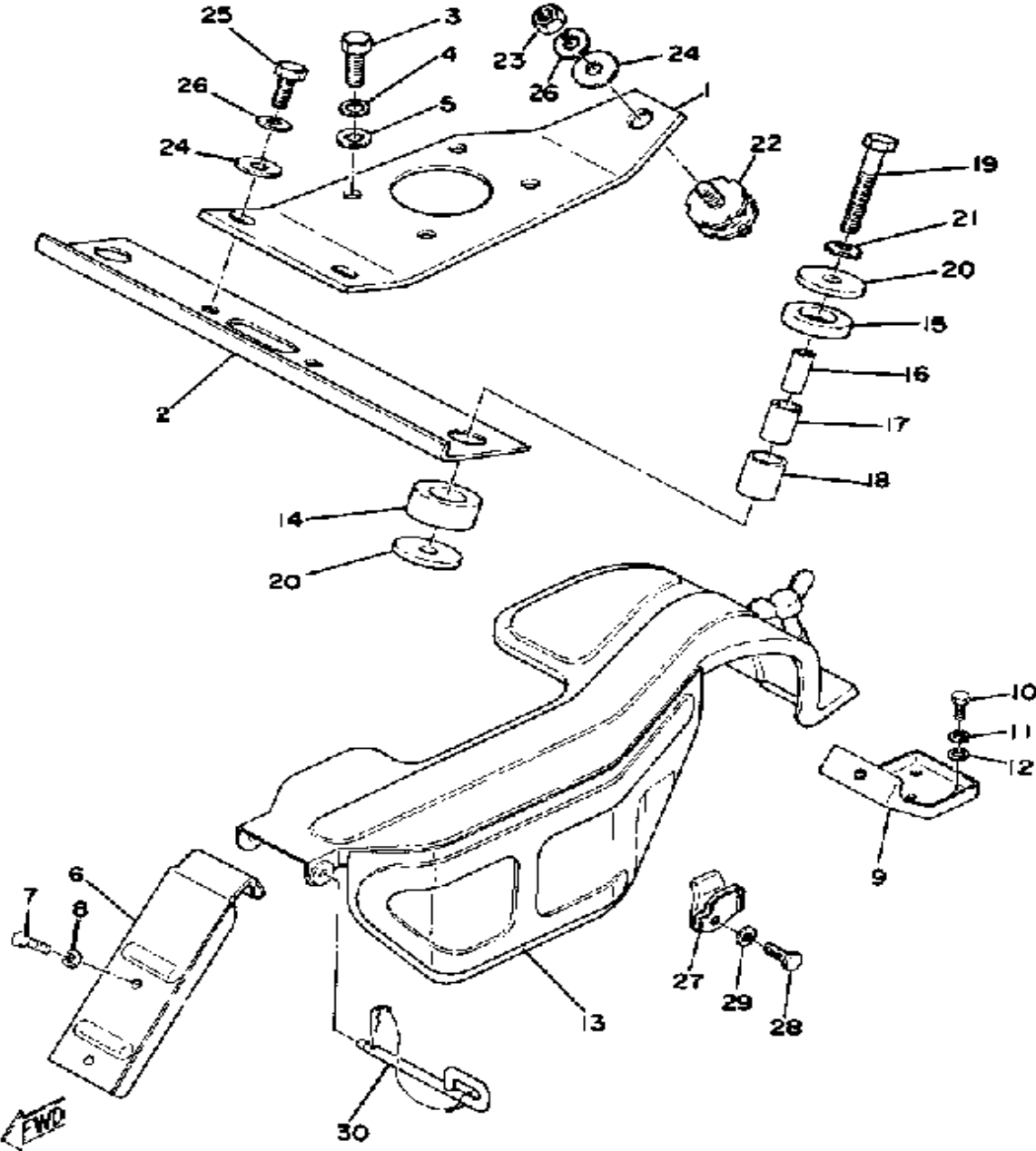
FRAME ET250D - E



Ref. No.	Part Number	Description	Qty	Remarks
1	(8J5-21910-00-00)	FRAME	1	
2	8U2-21982-00-00	. HOOD 1	1	
3	8J5-21983-00-00	. HOOD 2	1	
4	90467-48057-00	. UNAVAILABLE IN PRICE BOOK	28	
5	(8J5-77354-00-00)	EMBLEM 4	1	
	(8L2-77354-00-00)	EMBLEM 4	1	
6	(8J5-77355-00-00)	EMBLEM 5	1	
	(8L2-77355-00-00)	EMBLEM 5	1	

Property of www.SmallEngineDiscount.com - Not for Resale

ENGINE BRACKET ET250C

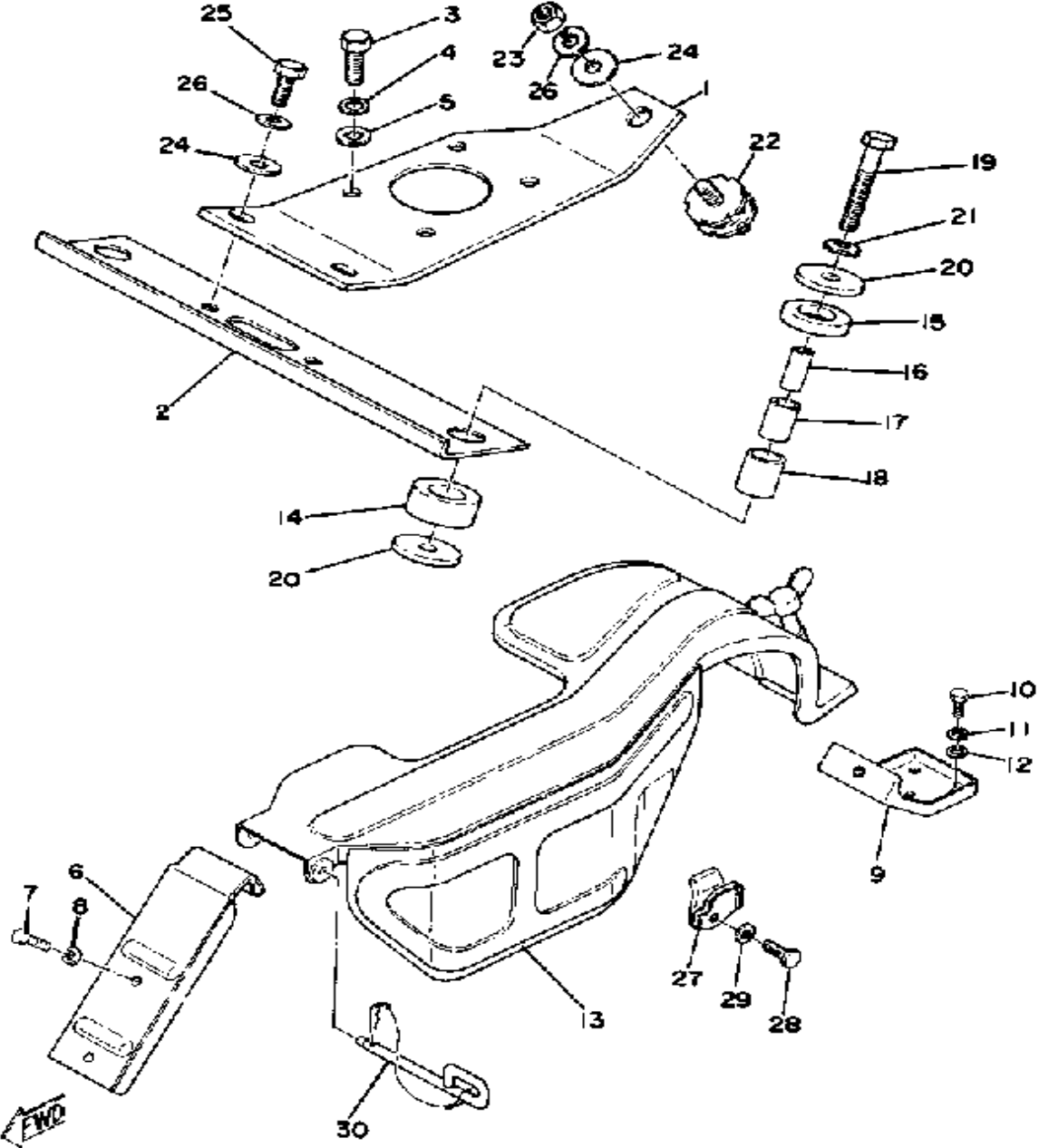


Ref. No.	Part Number	Description	Qty	Remarks
1	8F3-21411-02-00	BRACKET, ENGINE 1	1	
2	(8F3-21419-00-00)	BRACKET, ENGINE 2	1	
3	90106-10034-00	BOLT, DOME HEAD	4	
4	92990-10100-00	WASHER, SPRING	4	
5	92990-10600-00	WASHER, PLATE	4	
6	(8G5-77315-00-00)	BRACKET 1	1	
7	97313-08012-00	BOLT	2	
8	92990-08100-00	WASHER	2	
9	(8F3-77316-01-00)	BRACKET 2	1	
10	97011-06010-00	BOLT	3	
11	92995-06100-00	WASHER, SPRING	3	
12	92901-06600-00	WASHER	3	
13	8F3-77311-01-00	GUARD, DRIVE	1	
14	8F3-21485-00-00	DAMPER, RUBBER 1	2	
15	8F3-21488-00-00	DAMPER	2	
16	90387-10610-00	COLLAR	2	
17	90385-15030-00	BUSH, SPEC'L RUBBER	2	
18	90387-21611-00	COLLAR	2	
19	97313-10055-00	BOLT, HEXAGON (97322-10055)	2	
20	90201-10151-00	WASHER, PLATE	4	
21	92901-10100-00	WASHER, SPRING	2	
22	8F3-21486-00-00	DAMPER 2	1	
23	95311-10600-00	NUT	1	
24	90201-10321-00	WASHER, PLATE	3	
25	97011-10025-00	BOLT	2	
26	92990-10100-00	WASHER, SPRING	3	
27	8F3-77323-00-00	PROTECTOR, DRIVE	1	
28	97313-08018-00	BOLT, HEXAGON (97301-08016)	1	
29	92990-08100-00	WASHER	1	

CONTINUED ON NEXT FRAME ➤

Property of www.SmallEngineDiscount.com - Not for Resale

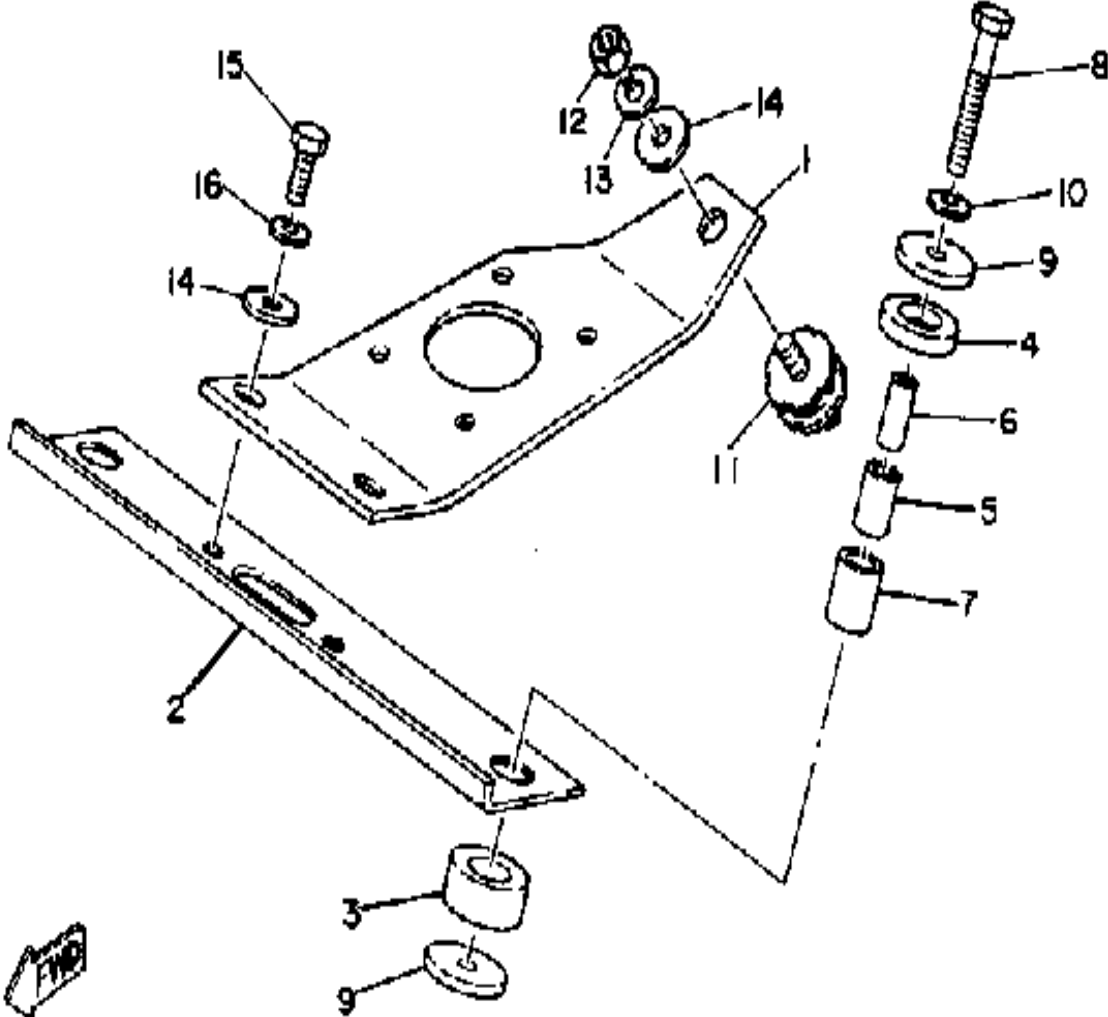
ENGINE BRACKET ET250C



Ref. No.	Part Number	Description	Qty	Remarks
30	8F3-77327-00-00	SHAFT	1	

Property of www.SmallEngineDiscount.com - Not for Resale

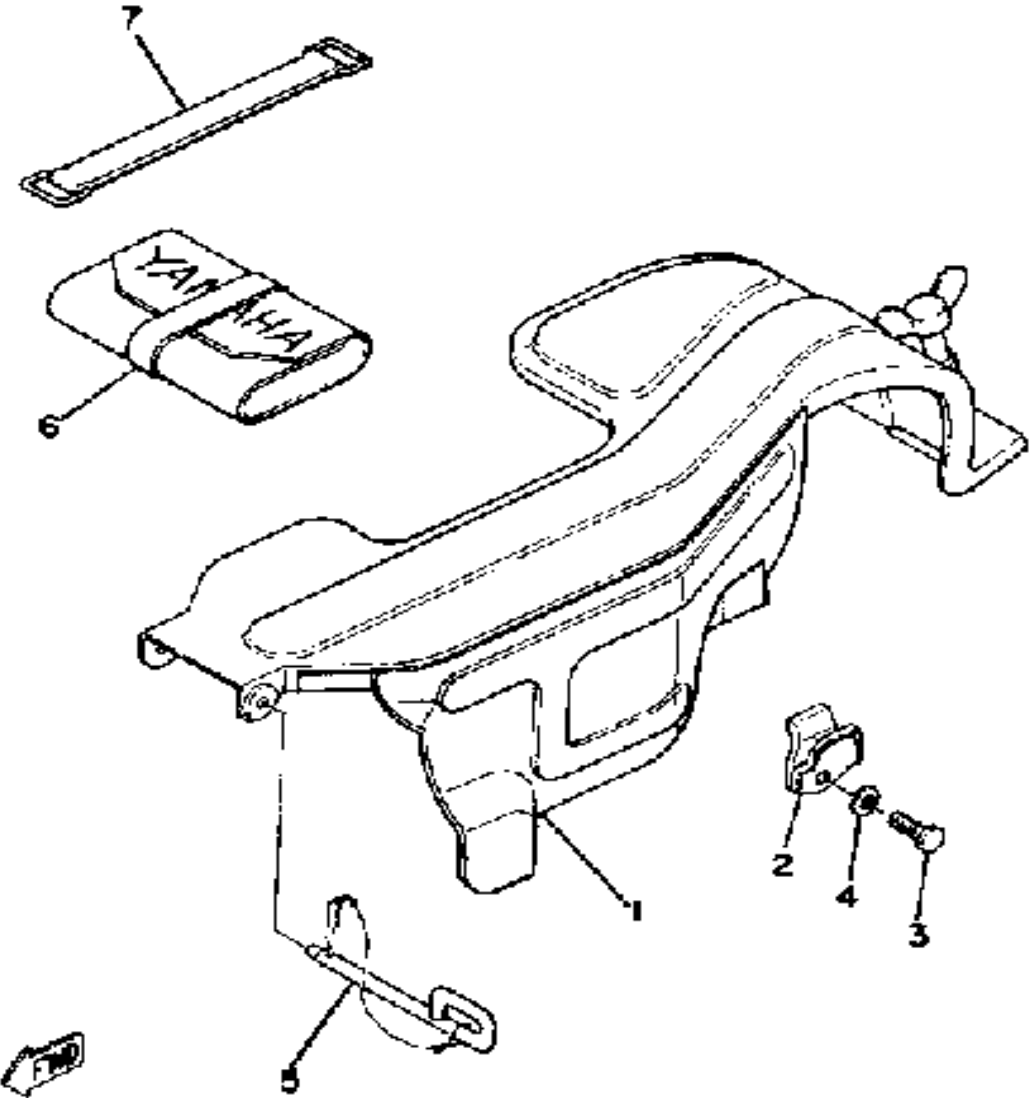
ENGINE BRACKET ET250D - E



Ref. No.	Part Number	Description	Qty	Remarks
1	8F3-21411-02-00	BRACKET, ENGINE 1	1	
2	(8F3-21419-00-00)	BRACKET, ENGINE 2	1	
3	8F3-21485-00-00	DAMPER, RUBBER 1	2	
4	8F3-21488-00-00	DAMPER	2	
5	90385-15030-00	BUSH, SPEC'L RUBBER	2	
6	90387-10610-00	COLLAR	2	
7	90387-21611-00	COLLAR	2	
8	97313-10055-00	BOLT, HEXAGON (97322-10055)	2	
9	90201-10151-00	WASHER, PLATE	2	
10	92990-10100-00	WASHER, SPRING	2	
11	8F3-21486-00-00	DAMPER 2	1	
12	95380-10600-00	NUT	1	
13	92990-10100-00	WASHER, SPRING	1	
14	90201-10321-00	WASHER, PLATE	3	
15	97011-10025-00	BOLT	2	
16	92990-10100-00	WASHER, SPRING	2	

Property of www.SmallEngineDiscount.com - Not for Resale

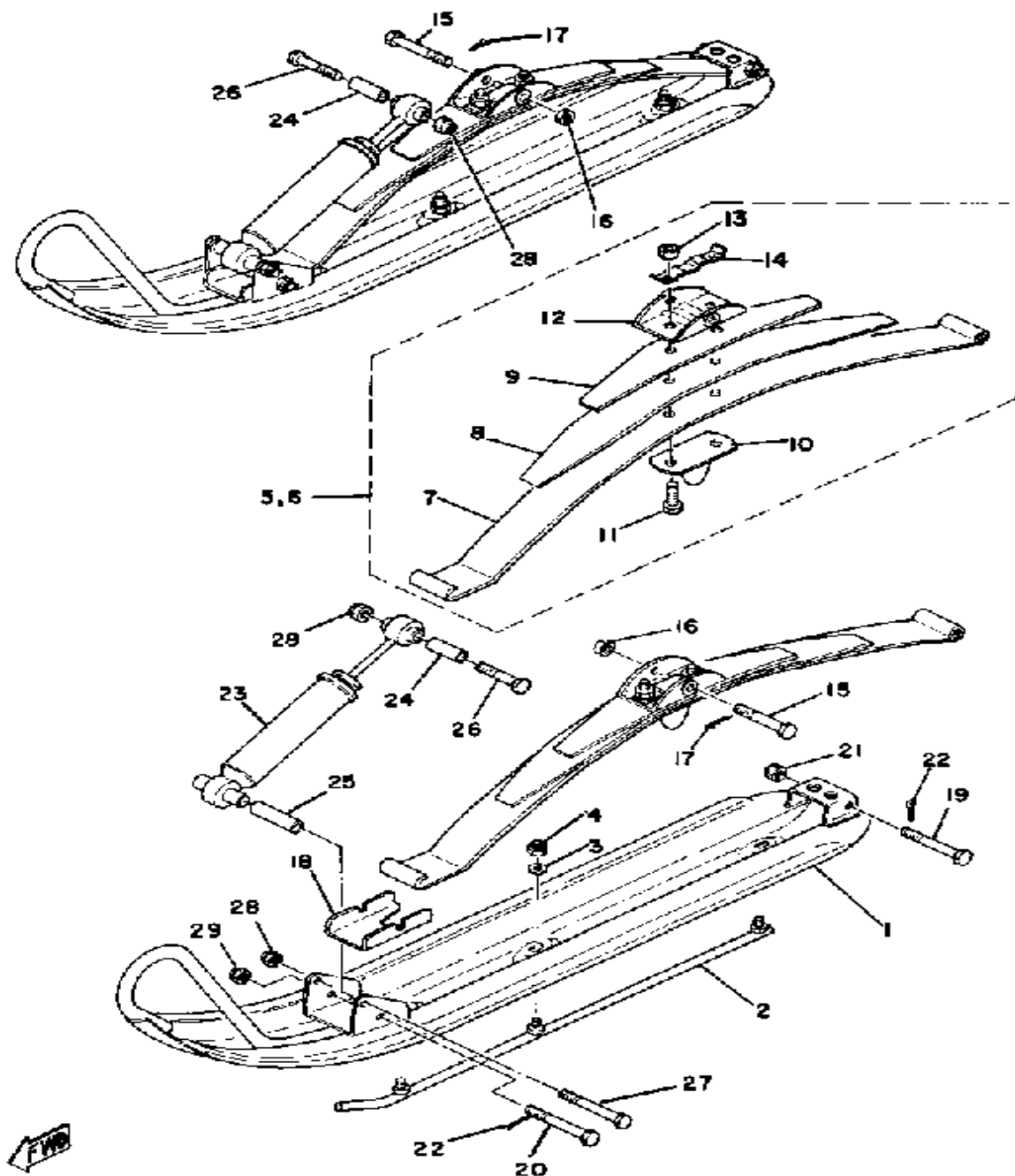
GUARD - LUGGAGE BOX ET250D - E



Ref. No.	Part Number	Description	Qty	Remarks
1	8G8-77311-00-00	GUARD, DRIVE	1	
2	8F3-77323-00-00	PROTECTOR, DRIVE	1	
3	97011-08016-00	BOLT	1	
	97313-08018-00	BOLT, HEXAGON (97301-08016)	1	
4	92990-08100-00	WASHER	1	
5	8F3-77327-00-00	SHAFT	1	
6	8F3-28100-00-00	TOOL KIT	1	
7	116-82131-00-00	BAND, BATTERY	1	
	122-82131-00-00	BAND, BATTERY	1	

Property of www.SmallEngineDiscount.com - Not for Resale

SKI ET250C

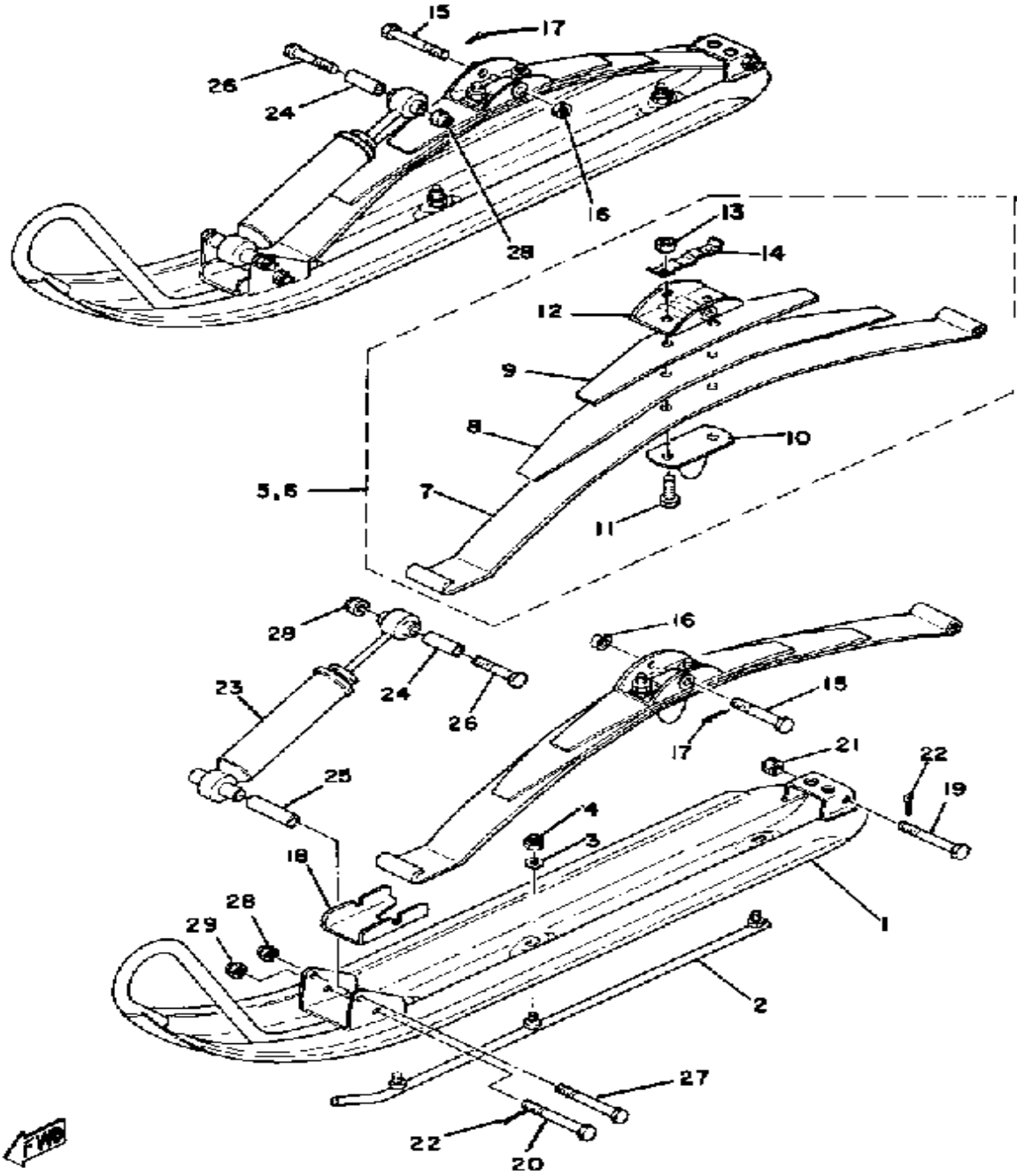


Ref. No.	Part Number	Description	Qty	Remarks
1	8F3-23710-01-00	SKI 1 (888-23731-01)	2	
2	888-23731-01-XX	SKI RUNNER, 1	2	
3	92906-08200-00	WASHER	6	
4	95712-08300-00	NUT, LOCK	6	
5	8F3-23760-00-00	SPRING ASSEMBLY 1	1	
6	8F3-23770-00-00	SPRING ASSEMBLY 2	1	
7	8F3-23761-00-00	. LEAF 1	2	
8	8F3-23762-00-00	. LEAF 2	2	
9	8F3-23763-00-00	. LEAF 3	2	
10	878-23768-00-00	. SEAT, SPRING 1	2	
11	90101-10060-00	. BOLT	4	
12	806-23766-00-00	. SADDLE 1	2	
13	95701-10500-00	. NUT, FLANGE (95702-10500)	4	
14	90215-10155-00	. WASHER, LOCK	2	
15	90102-10023-00	BOLT, WITH HOLE	2	
16	95306-10900-00	NUT, SLOTTED	2	
17	91401-25020-00	PIN, COTTER	2	
18	8F3-23735-00-00	PLATE, WEAR 1	2	
19	90102-08028-00	BOLT, WITH HOLE	2	
20	90102-08027-00	BOLT, WITH HOLE	2	
21	95712-08300-00	NUT, LOCK	2	
22	91490-20020-00	PIN, COTTER	4	
23	8F3-23350-00-00	SHOCK ABSORBER ASSEMBLY	2	
24	90387-08262-00	COLLAR	2	
25	90387-08224-00	COLLAR	2	
26	97313-08055-00	BOLT, HEXAGON	2	
27	97021-08070-00	BOLT	2	
28	95712-08300-00	NUT, LOCK	4	

CONTINUED ON NEXT FRAME ►

Property of www.SmallEngineDiscount.com - Not for Resale

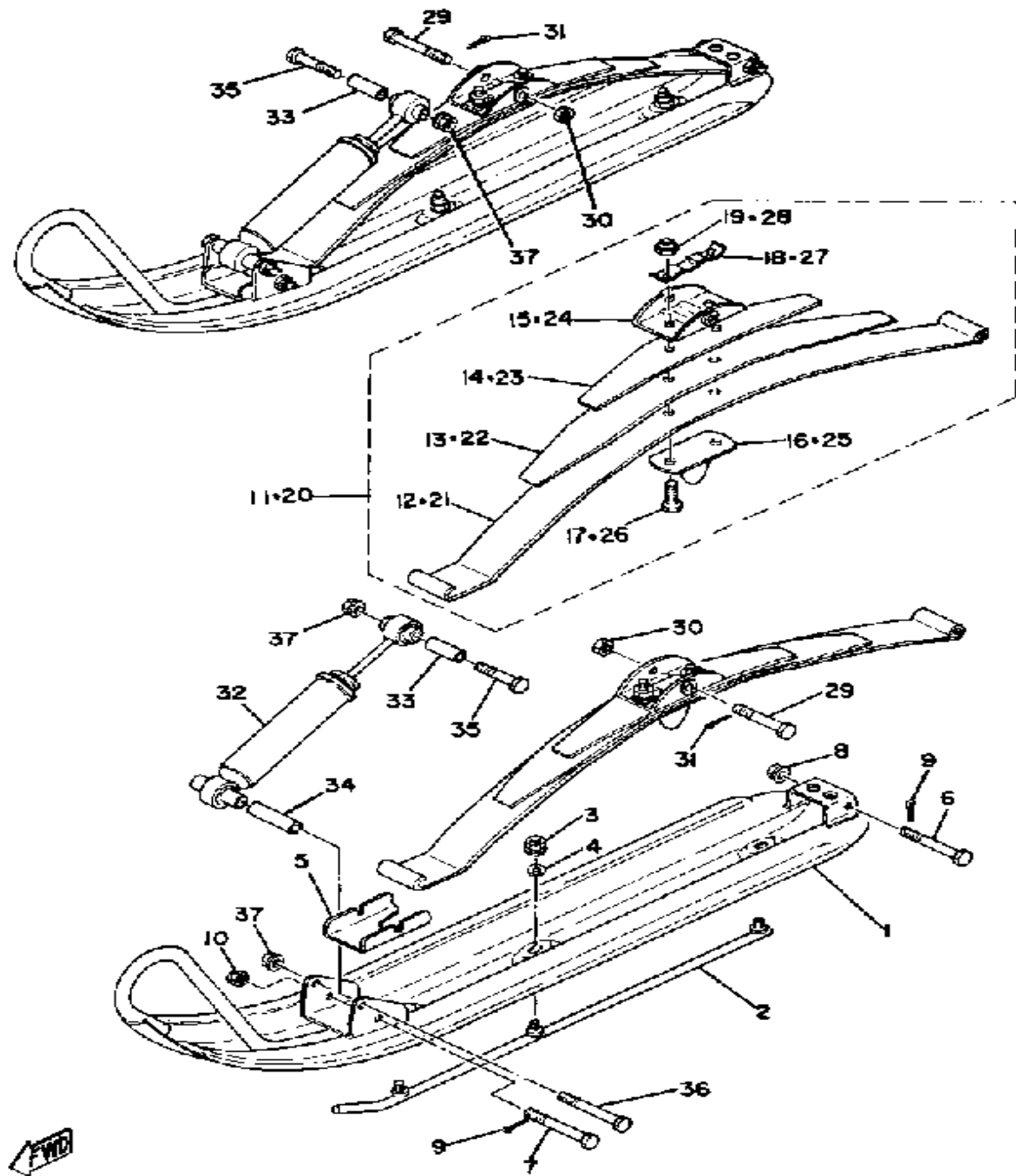
SKI ET250C



Ref. No.	Part Number	Description	Qty	Remarks
29	95611-08100-00	NUT, U	2	

Property of www.SmallEngineDiscount.com - Not for Resale

SKI ET250D - E

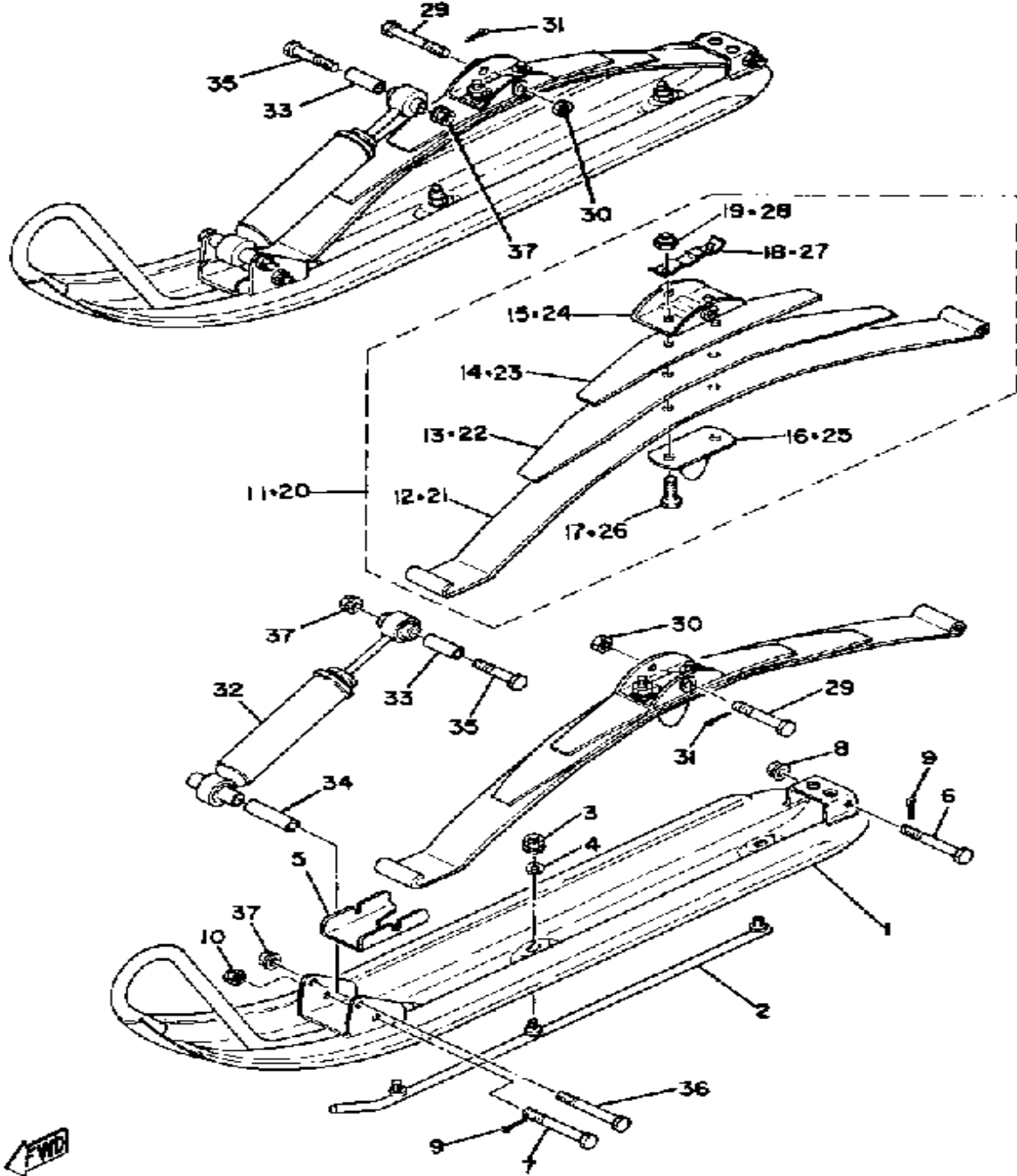


Ref. No.	Part Number	Description	Qty	Remarks
1	8F3-23710-01-00	SKI 1 (888-23731-01)	2	
2	888-23731-01-XX	SKI RUNNER, 1	2	
3	95712-08300-00	NUT, LOCK	6	
4	92906-08200-00	WASHER	6	
5	8F3-23735-00-00	PLATE, WEAR 1	2	
6	90102-08028-00	BOLT, WITH HOLE	2	
7	90102-08027-00	BOLT, WITH HOLE	2	
8	95712-08300-00	NUT, LOCK	2	
9	91490-20020-00	PIN, COTTER	1	
	91490-20020-00	PIN, COTTER	4	
10	95611-08100-00	NUT, U	2	
11	8F3-23760-00-00	SPRING ASSEMBLY 1	1	
12	8F3-23761-00-00	. LEAF 1	1	
13	8F3-23762-00-00	. LEAF 2	1	
14	8F3-23763-00-00	. LEAF 3	1	
15	806-23766-00-00	. SADDLE 1	1	
16	878-23768-00-00	. SEAT, SPRING 1	1	
17	90109-105E7-00	. BOLT	2	
18	90215-10155-00	. WASHER, LOCK	1	
19	90185-10085-00	. NUT, SELF-LOCKING	2	
20	8F3-23770-00-00	SPRING ASSEMBLY 2	1	
21	8F3-23761-00-00	. LEAF 1	1	
22	8F3-23762-00-00	. LEAF 2	1	
23	8F3-23763-00-00	. LEAF 3	1	
24	806-23766-00-00	. SADDLE 1	1	
25	878-23768-00-00	. SEAT, SPRING 1	1	
26	90109-105E7-00	. BOLT	2	
27	90215-10155-00	. WASHER, LOCK	1	
28	90185-10085-00	. NUT, SELF-LOCKING	2	

CONTINUED ON NEXT FRAME ➤

Property of www.SmallEngineDiscount.com - Not for Resale

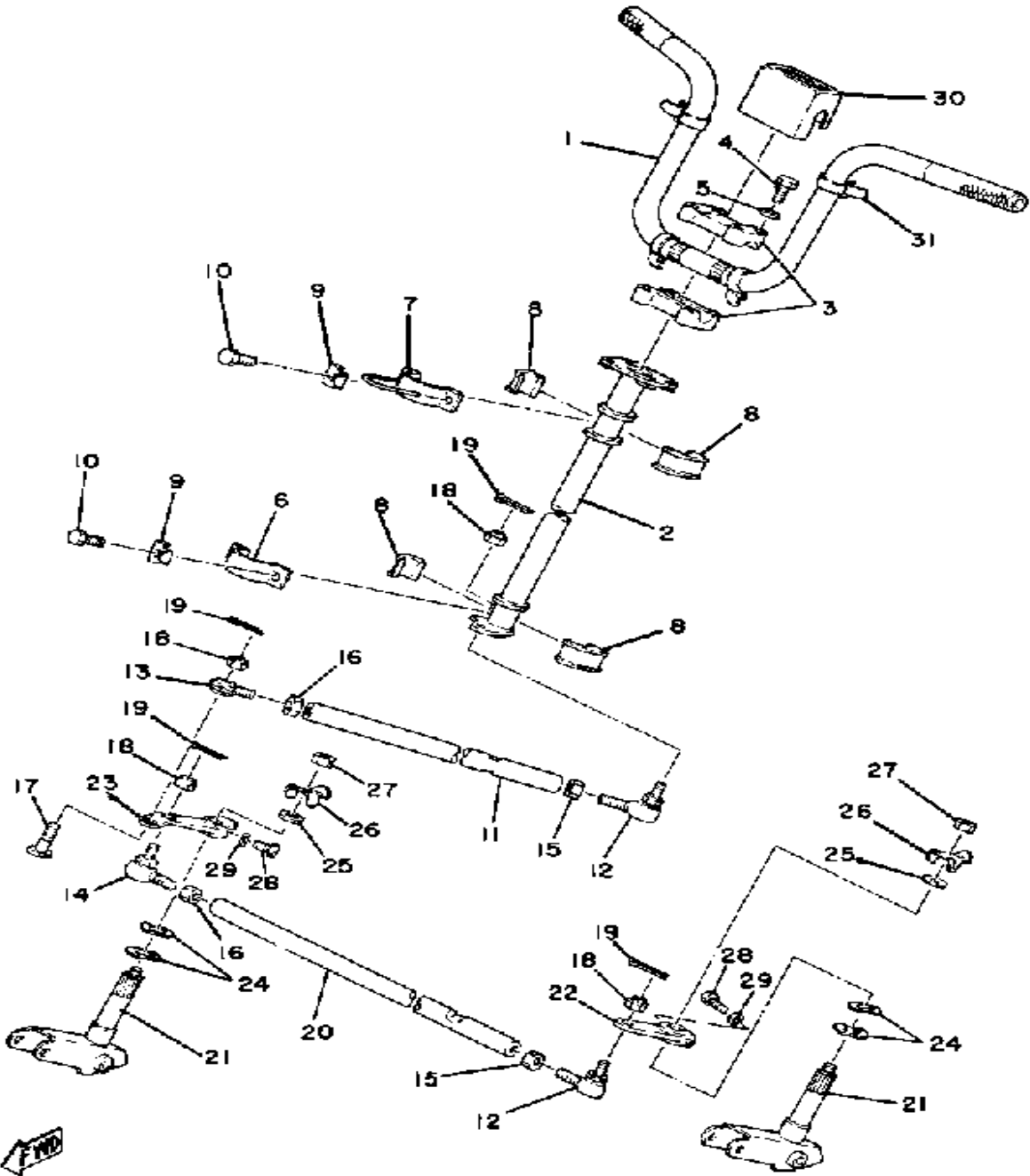
SKI ET250D - E



Ref. No.	Part Number	Description	Qty	Remarks
29	90102-10023-00	BOLT, WITH HOLE	2	
30	95306-10900-00	NUT, SLOTTED	2	
31	91401-25020-00	PIN, COTTER	2	
32	8J5-23350-00-00	SHOCK ABSORBER ASSEMBLY	2	
33	90387-08262-00	COLLAR	2	
34	90387-08224-00	COLLAR	2	
35	97313-08055-00	BOLT, HEXAGON	2	
36	97021-08070-00	BOLT	2	
37	95712-08300-00	NUT, LOCK	4	

Property of www.SmallEngineDiscount.com - Not for Resale

STEERING ET250C

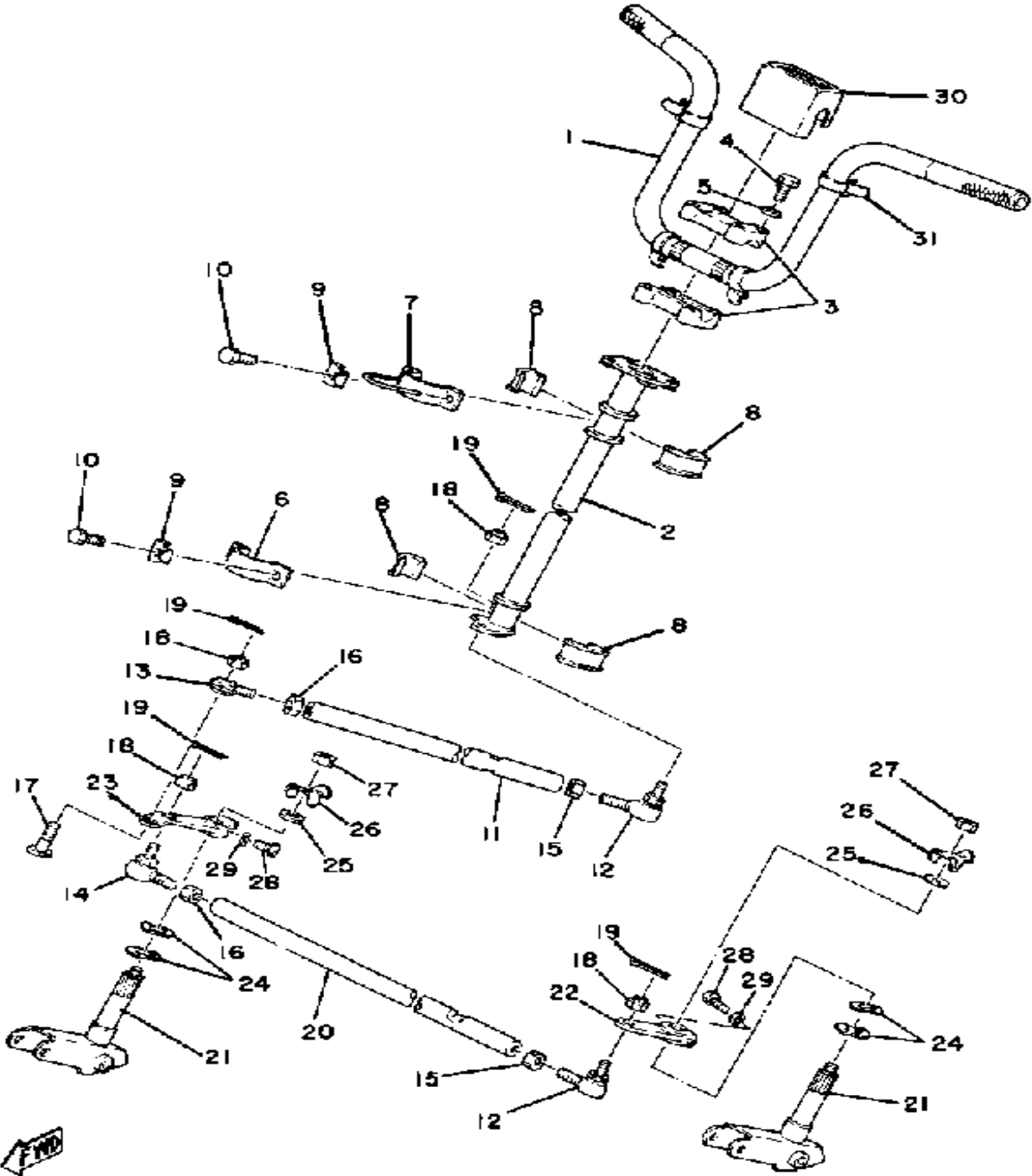


Ref. No.	Part Number	Description	Qty	Remarks
1	80F-23811-00-00	COLUMN, STEERING	1	
2	(8F3-23813-00-00)	COLUMN, STEERING 2	1	
3	164-23441-00-98	HOLDER, HANDLE UPPER	2	
4	97321-08055-00	BOLT, HEXAGON	4	
5	92906-08100-00	WASHER, SPRING	4	
6	84M-23868-00-00	BRACKET, STEERING LOWER	1	
7	84M-23872-00-00	HOLDER, BEARING	1	
8	8F3-23812-00-00	PLANE BEARING, STEERING	4	
9	90215-08143-00	WASHER, LOCK	4	
10	97313-08016-00	BOLT, HEXAGON	4	
11	8L0-23821-00-00	ROD, STEERING RELAY	1	
12	86X-23841-00-00	JOINT, UNIVERSAL 1	2	
13	87S-23847-00-00	JOINT, UNIVERSAL 3	1	
14	86X-23845-00-00	JOINT, UNIVERSAL 2	1	
15	95303-10700-00	NUT	2	
16	90170-10186-00	NUT	2	
17	90109-10482-00	BOLT	1	
18	95701-10300-00	NUT, FLANGE (95702-10300)	4	
19	91490-20020-00	PIN, COTTER	4	
20	8F3-23831-00-00	ROD, TIE	1	
21	8F3-23853-00-00	COLUMN, SKI 1	2	
22	8F3-23851-00-00	ARM, OUTSIDE 1	1	
23	8F3-23852-00-00	ARM, OUTSIDE 2	1	
24	90206-20037-00	WASHER, WAVE	4	
25	90201-100A1-00	WASHER, PLATE	2	
26	90215-10096-00	WASHER, LOCK	2	
27	95303-10600-00	NUT (95301-10600)	2	
28	97001-08025-00	BOLT (1NV)	2	
29	92990-08100-00	WASHER	2	

CONTINUED ON NEXT FRAME ➤

Property of www.SmallEngineDiscount.com - Not for Resale

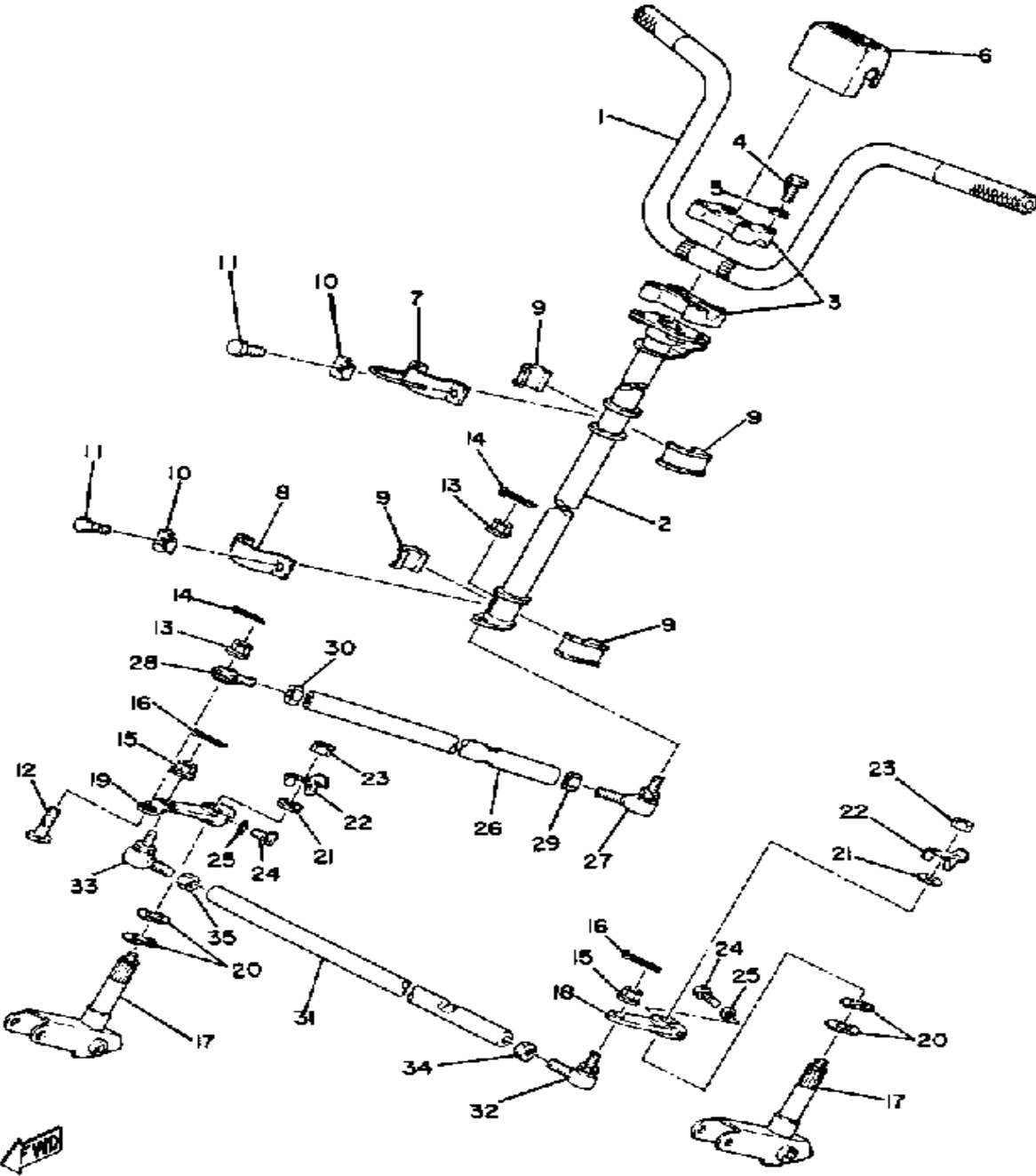
STEERING ET250C



Ref. No.	Part Number	Description	Qty	Remarks
30	8F3-23818-00-00	COVER, STEERING	1	
31	437-83936-01-00	BAND, SWITCH CORD	4	

Property of www.SmallEngineDiscount.com - Not for Resale

STEERING ET250D

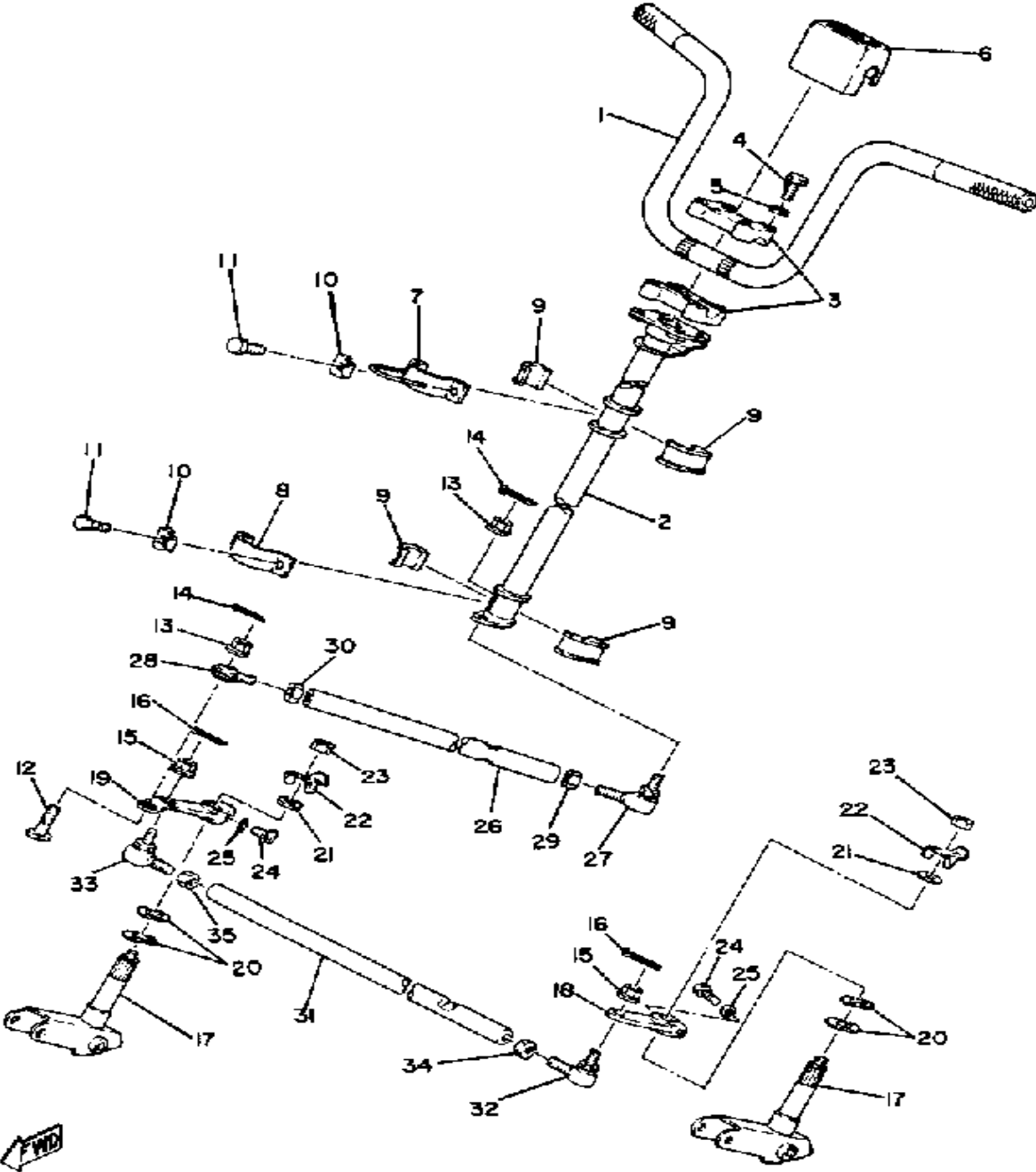


Ref. No.	Part Number	Description	Qty	Remarks
1	80F-23811-00-00	COLUMN, STEERING	1	
2	(8F3-23813-00-00)	COLUMN, STEERING 2	1	
3	164-23441-00-98	HOLDER, HANDLE UPPER	2	
4	97321-08055-00	BOLT, HEXAGON	4	
5	92990-08100-00	WASHER	4	
6	8F3-23818-00-00	COVER, STEERING	1	
7	84M-23872-00-00	HOLDER, BEARING	1	
8	84M-23868-00-00	BRACKET, STEERING LOWER	1	
9	8F3-23812-00-00	PLANE BEARING, STEERING	4	
10	90215-08143-00	WASHER, LOCK	4	
11	97313-08016-00	BOLT, HEXAGON	4	
12	90109-10482-00	BOLT	1	
13	95701-10300-00	NUT, FLANGE (95702-10300)	2	
14	91490-20020-00	PIN, COTTER	2	
15	95701-10300-00	NUT, FLANGE (95702-10300)	2	
16	91490-20020-00	PIN, COTTER	2	
17	8F3-23853-00-00	COLUMN, SKI 1	2	
18	8F3-23851-00-00	ARM, OUTSIDE 1	1	
19	8F3-23852-00-00	ARM, OUTSIDE 2	1	
20	90206-20037-00	WASHER, WAVE	4	
21	90201-10752-00	WASHER, PLATE	2	
22	90215-10096-00	WASHER, LOCK	2	
23	95303-10600-00	NUT (95301-10600)	2	
24	97001-08025-00	BOLT (1NV)	2	
25	92990-08100-00	WASHER	2	
26	8L0-23821-00-00	ROD, STEERING RELAY	1	
27	86X-23841-00-00	JOINT, UNIVERSAL 1	1	
28	87S-23847-00-00	JOINT, UNIVERSAL 3	1	
29	95303-10700-00	NUT	1	

CONTINUED ON NEXT FRAME ➤

Property of www.SmallEngineDiscount.com - Not for Resale

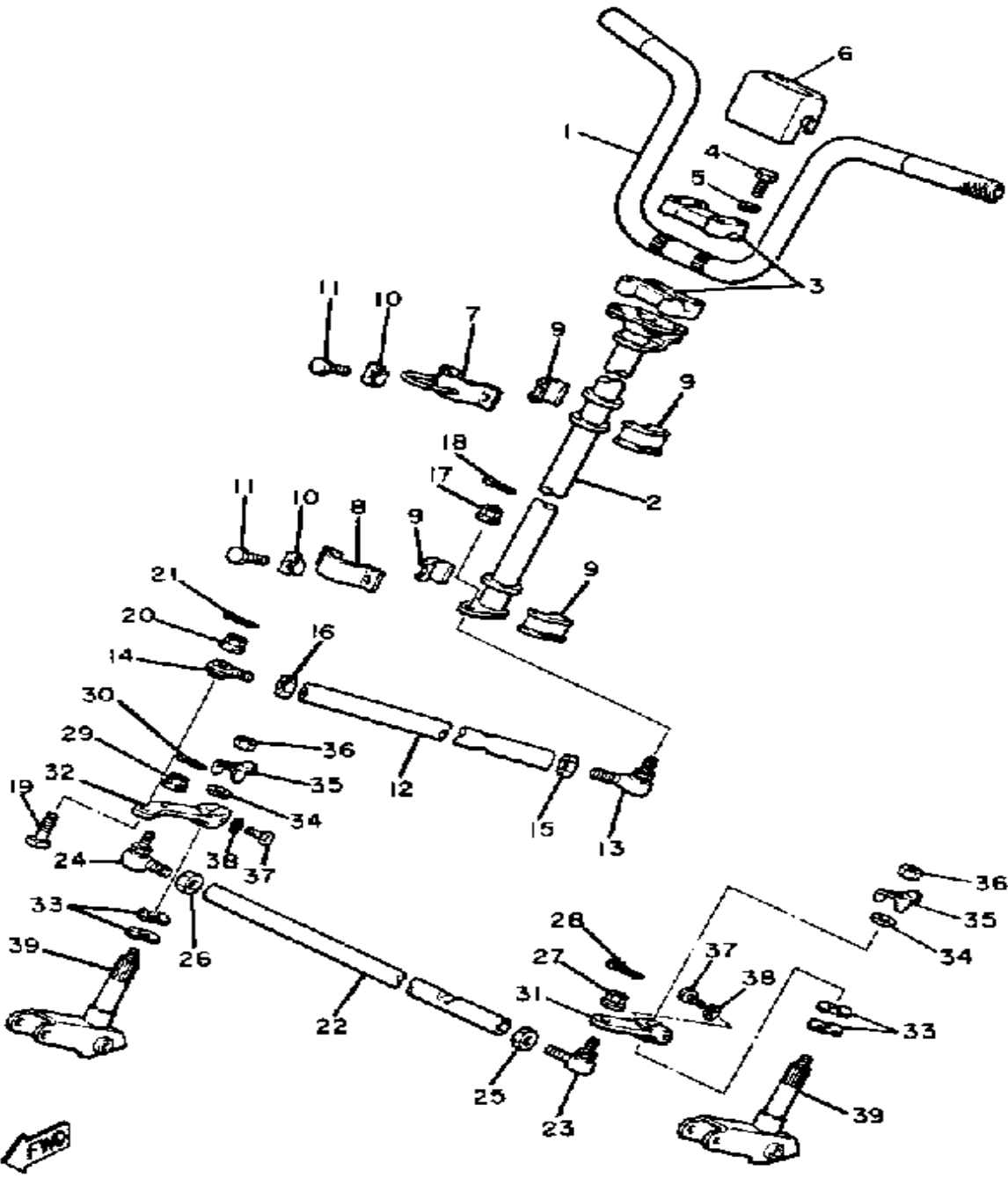
STEERING ET250D



Ref. No.	Part Number	Description	Qty	Remarks
30	90170-10186-00	NUT	1	
31	8F3-23831-00-00	ROD, TIE	1	
32	86X-23841-00-00	JOINT, UNIVERSAL 1	1	
33	86X-23845-00-00	JOINT, UNIVERSAL 2	1	
34	95303-10700-00	NUT	1	
35	90170-10186-00	NUT	1	

Property of www.SmallEngineDiscount.com - Not for Resale

STEERING ET250E

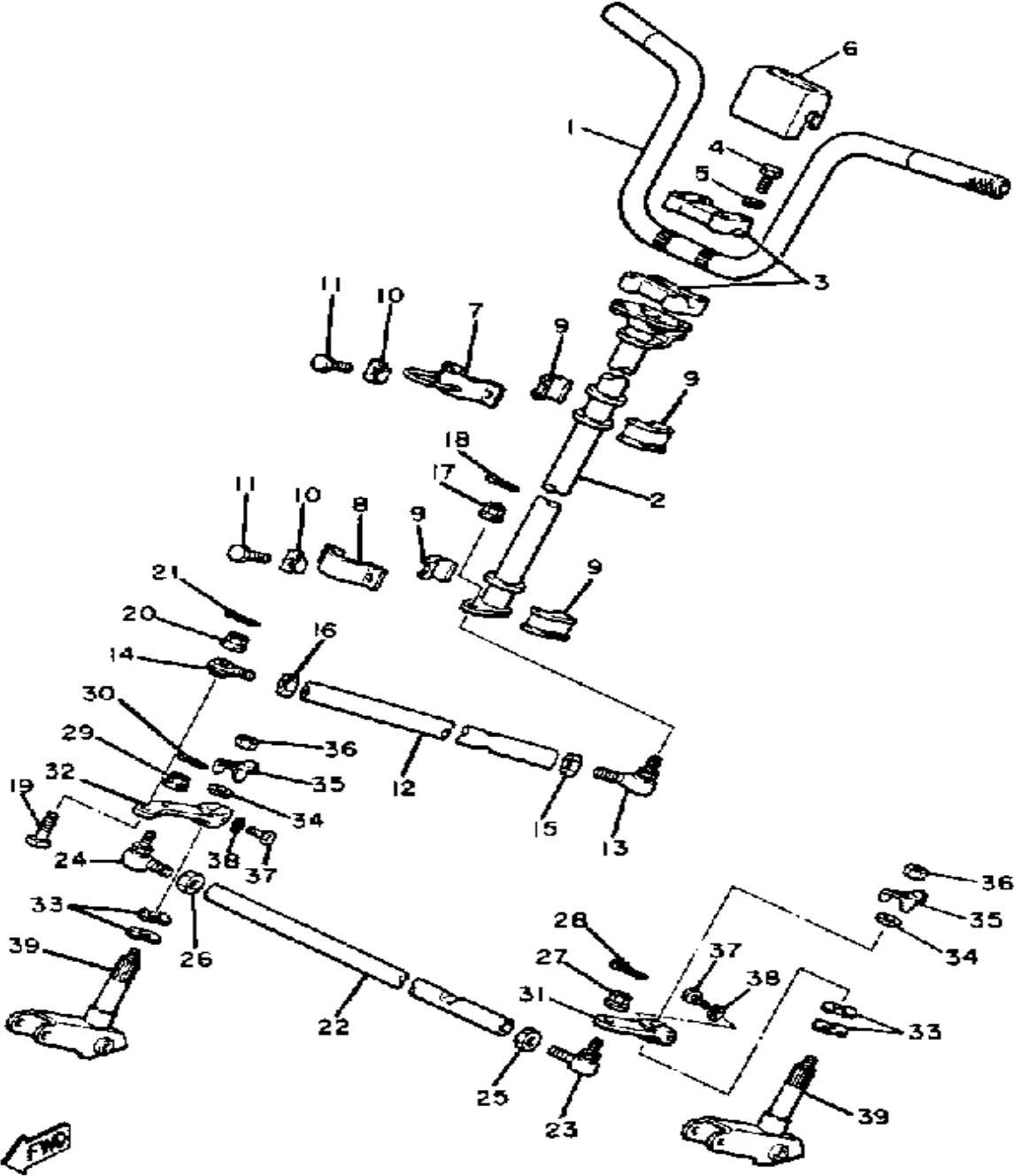


Ref. No.	Part Number	Description	Qty	Remarks
1	80F-23811-00-00	COLUMN, STEERING	1	
2	(8F3-23813-00-00)	COLUMN, STEERING 2	1	
3	164-23441-00-98	HOLDER, HANDLE UPPER	2	
4	97321-08055-00	BOLT, HEXAGON	4	
5	92990-08100-00	WASHER	4	
6	8F3-23818-00-00	COVER, STEERING	1	
7	84M-23872-00-00	HOLDER, BEARING	1	
8	84M-23868-00-00	BRACKET, STEERING LOWER	1	
9	8F3-23812-00-00	PLANE BEARING, STEERING	4	
10	90215-08262-00	WASHER, LOCK	4	
11	97313-08016-00	BOLT, HEXAGON	4	
12	8L0-23821-00-00	ROD, STEERING RELAY	1	
13	86X-23841-00-00	JOINT, UNIVERSAL 1	1	
14	87S-23847-00-00	JOINT, UNIVERSAL 3	1	
15	95303-10700-00	NUT	1	
16	90170-10186-00	NUT	1	
17	95701-10300-00	NUT, FLANGE (95702-10300)	1	
18	91490-20020-00	PIN, COTTER	1	
19	90109-10482-00	BOLT	1	
20	95701-10300-00	NUT, FLANGE (95702-10300)	1	
21	91490-20020-00	PIN, COTTER	1	
22	8F3-23831-00-00	ROD, TIE	1	
23	86X-23841-00-00	JOINT, UNIVERSAL 1	1	
24	86X-23845-00-00	JOINT, UNIVERSAL 2	1	
25	95303-10700-00	NUT	1	
26	90170-10186-00	NUT	1	
27	95701-10300-00	NUT, FLANGE (95702-10300)	1	
28	91490-20020-00	PIN, COTTER	1	
29	95701-10300-00	NUT, FLANGE (95702-10300)	1	

CONTINUED ON NEXT FRAME ➤

Property of www.SmallEngineDiscount.com - Not for Resale

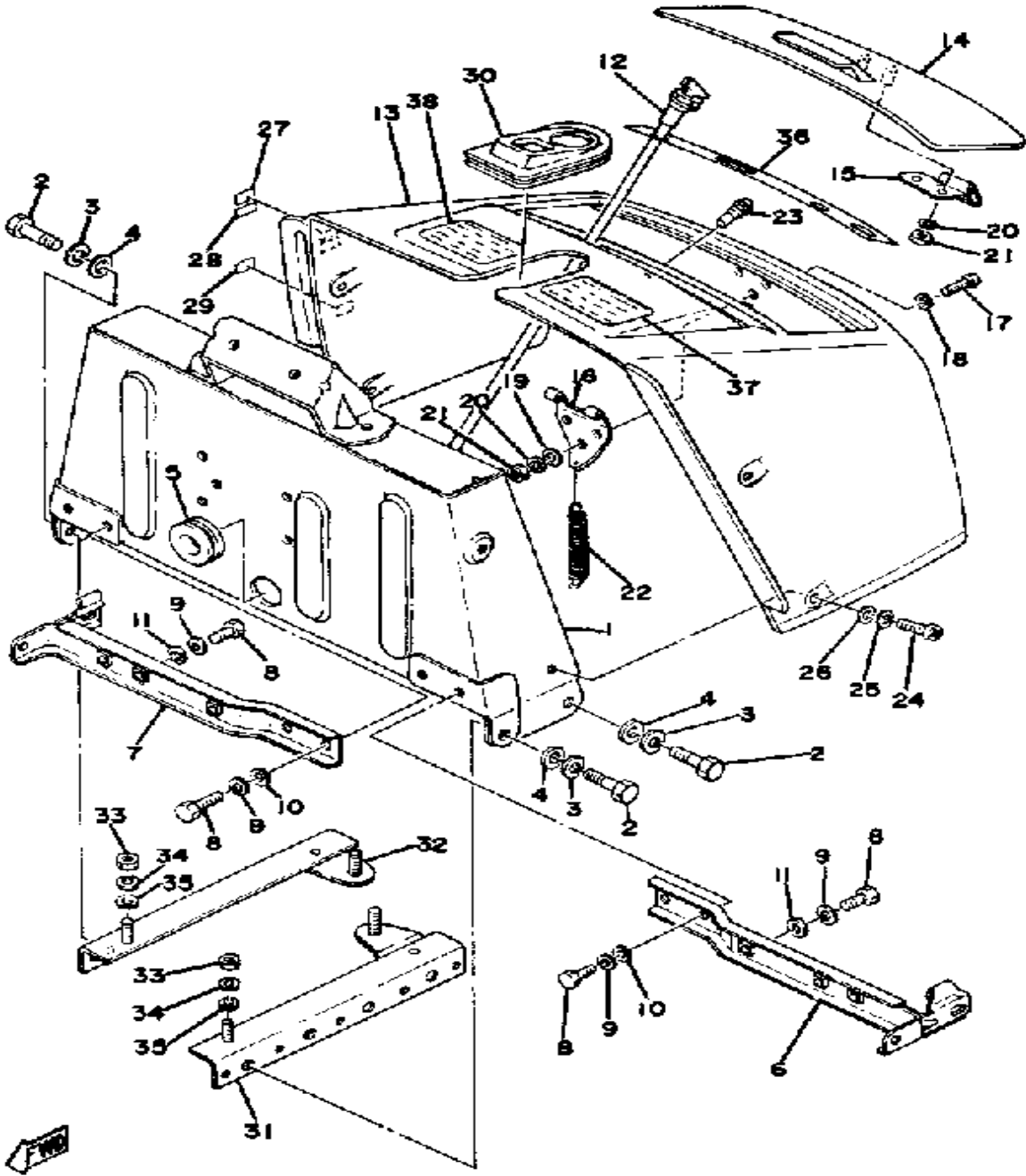
STEERING ET250E



Ref. No.	Part Number	Description	Qty	Remarks
30	91401-20028-00	UNAVAILABLE IN PRICE BOOK	1	
31	8F3-23851-00-00	ARM, OUTSIDE 1	1	
32	8F3-23852-00-00	ARM, OUTSIDE 2	1	
33	90206-20037-00	WASHER, WAVE	4	
34	90201-10752-00	WASHER, PLATE	2	
35	90215-10096-00	WASHER, LOCK	2	
36	95303-10600-00	NUT (95301-10600)	2	
37	97001-08025-00	BOLT (1NV)	2	
38	92990-08100-00	WASHER	2	
39	8F3-23853-00-00	COLUMN, SKI 1	2	

Property of www.SmallEngineDiscount.com - Not for Resale

STEERING GATE ET250C

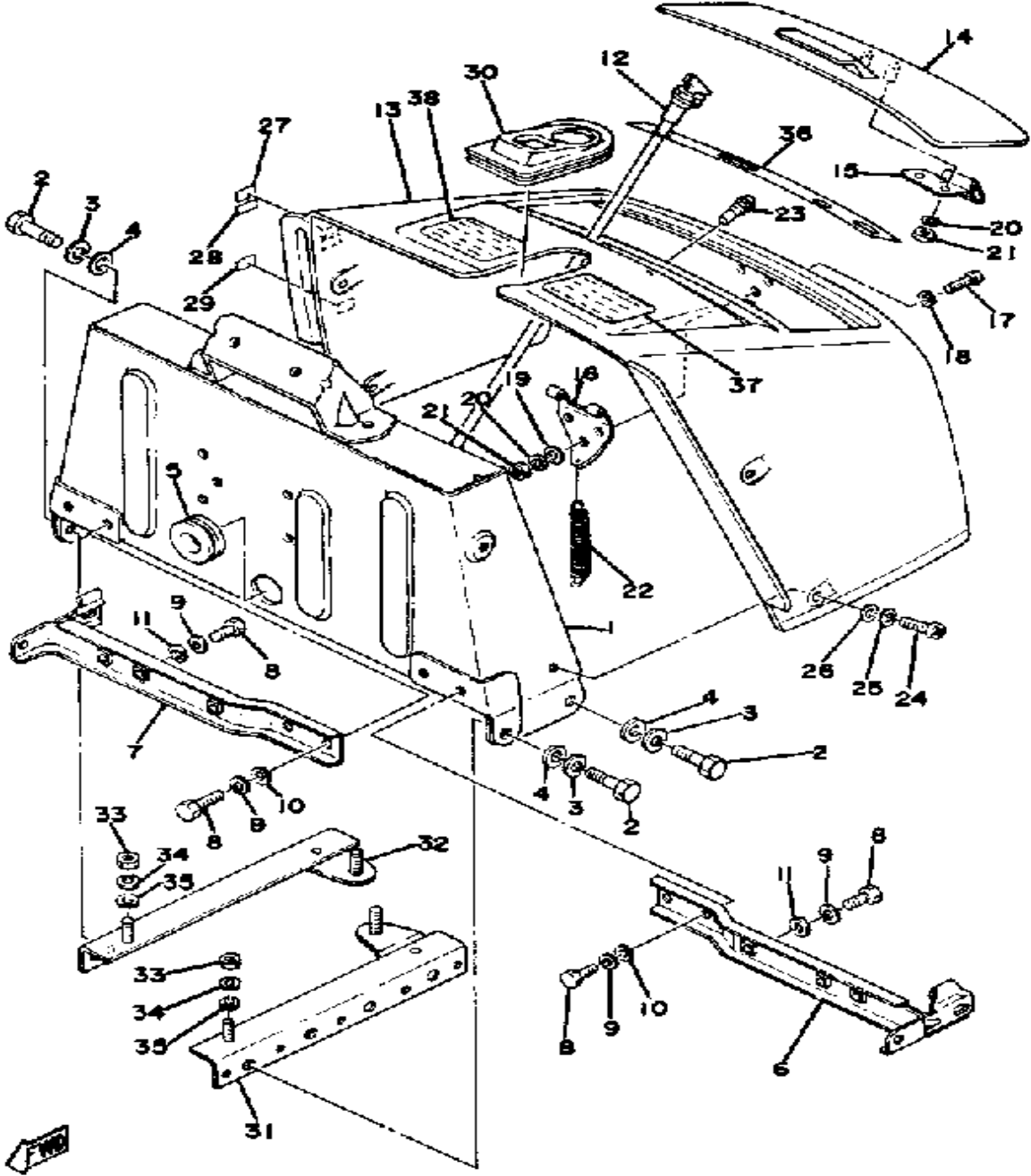


Ref. No.	Part Number	Description	Qty	Remarks
1	(8G5-23871-00-00)	GATE, STEERING	1	
2	97313-08018-00	BOLT, HEXAGON (97301-08016)	4	
3	92990-08100-00	WASHER	4	
4	92901-08600-00	WASHER	4	
5	90480-28191-00	GROMMET	1	
6	8G5-23898-00-00	BRACKET 3	1	
7	8G5-23899-00-00	BRACKET 4	1	
8	97013-06012-00	BOLT	10	
9	92995-06100-00	WASHER, SPRING	10	
10	92901-06600-00	WASHER	4	
11	90201-065F3-00	WASHER, PLATE	4	
12	8G6-26331-00-00	CABLE, STARTER 1	1	
13	8G5-77711-00-00	PANEL, INSTRUMENT	1	
14	8F3-77712-00-00	PANEL, INSTRUMENT	1	
15	8F3-77726-01-00	HINGE 1	1	
16	8F3-77727-00-00	HINGE 2	1	
17	98580-05012-00	SCREW, PAN HEAD	3	
18	92901-05600-00	WASHER, PLATE	3	
19	92990-05200-00	WASHER, PLAIN	3	
20	92990-05100-00	WASHER, SPRING	5	
21	95380-05600-00	NUT	5	
22	90506-10090-00	SPRING, TENSION	1	
23	(811-77461-00-00)	DAMPER 1	2	
24	98506-06014-00	SCREW, PAN HEAD (92506-06014)	4	
25	92906-06100-00	WASHER, SPRING	4	
26	90201-06057-00	WASHER, PLATE	4	
27	8A1-77743-00-00	INDICATOR 3	1	
28	878-77744-00-00	INDICATOR 4	1	

CONTINUED ON NEXT FRAME ➤

Property of www.SmallEngineDiscount.com - Not for Resale

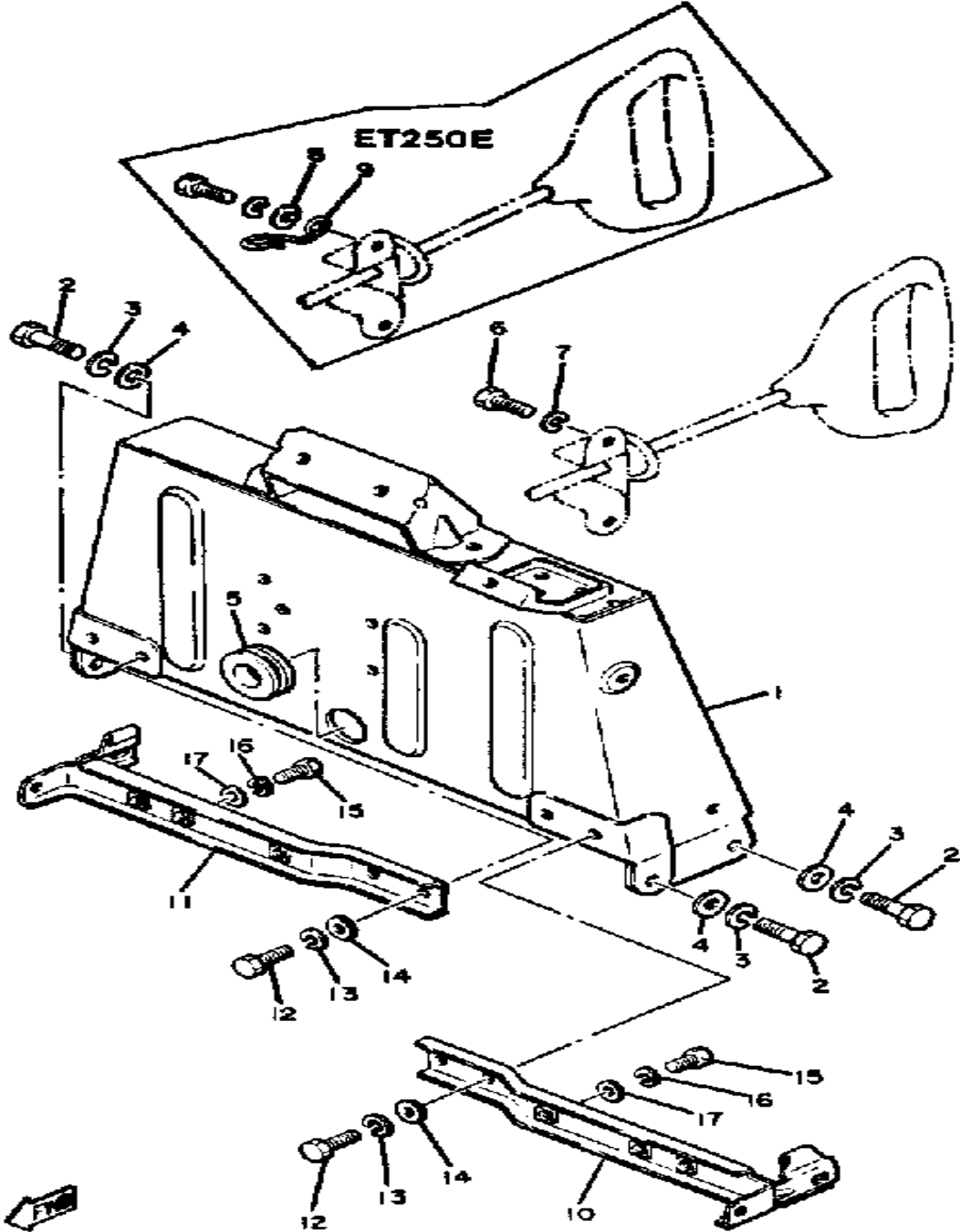
STEERING GATE ET250C



Ref. No.	Part Number	Description	Qty	Remarks
29	8A1-77744-00-00	INDICATOR 4	1	
30	8F3-77746-00-00	GROMMET	1	
31	(8G5-21948-00-00)	BRACKET, STRG GTE 1	1	
32	(8G5-21958-00-00)	BRACKET, STRG GTE 2	1	
33	95380-06600-00	NUT	2	
34	92995-06100-00	WASHER, SPRING	2	
35	90201-065F3-00	WASHER, PLATE	2	
36	8G5-77741-00-00	INDICATOR 1	1	
37	8F3-77766-00-00	LABEL, WARNING 6	1	
38	8L2-77767-00-00	LABEL, WARNING 7	1	

Property of www.SmallEngineDiscount.com - Not for Resale

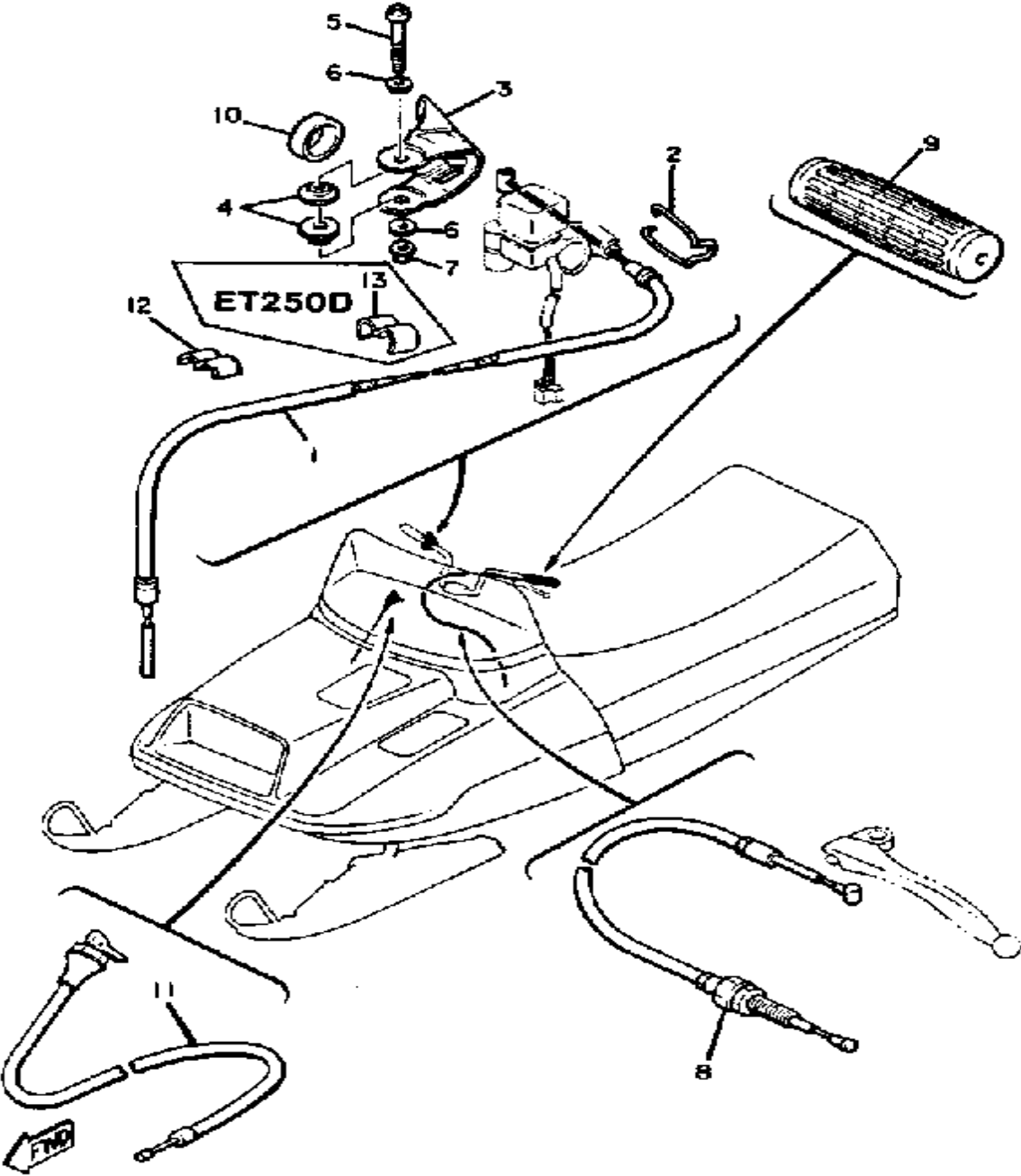
STEERING GATE ET250D - E



Ref. No.	Part Number	Description	Qty	Remarks
1	(8J5-23871-00-00)	GATE, STEERING	1	
2	97313-08018-00	BOLT, HEXAGON (97301-08016)	4	
3	92990-08100-00	WASHER	4	
4	92901-08600-00	WASHER	4	
5	90480-28191-00	GROMMET	1	
6	97013-06012-00	BOLT	1	
	97313-06016-00	BOLT, HEXAGON	2	
7	92995-06100-00	WASHER, SPRING	2	
8	92901-06600-00	WASHER	2	
9	90465-20162-00	CLAMP	1	
10	8G5-23898-00-00	BRACKET 3	1	
11	8G5-23899-00-00	BRACKET 4	1	
12	97013-06012-00	BOLT	4	
13	92995-06100-00	WASHER, SPRING	4	
14	92901-06600-00	WASHER	4	
15	97013-06012-00	BOLT	6	
	97301-06014-00	BOLT, HEXAGON	6	
16	92995-06100-00	WASHER, SPRING	6	
17	90201-065F3-00	WASHER, PLATE	4	

Property of www.SmallEngineDiscount.com - Not for Resale

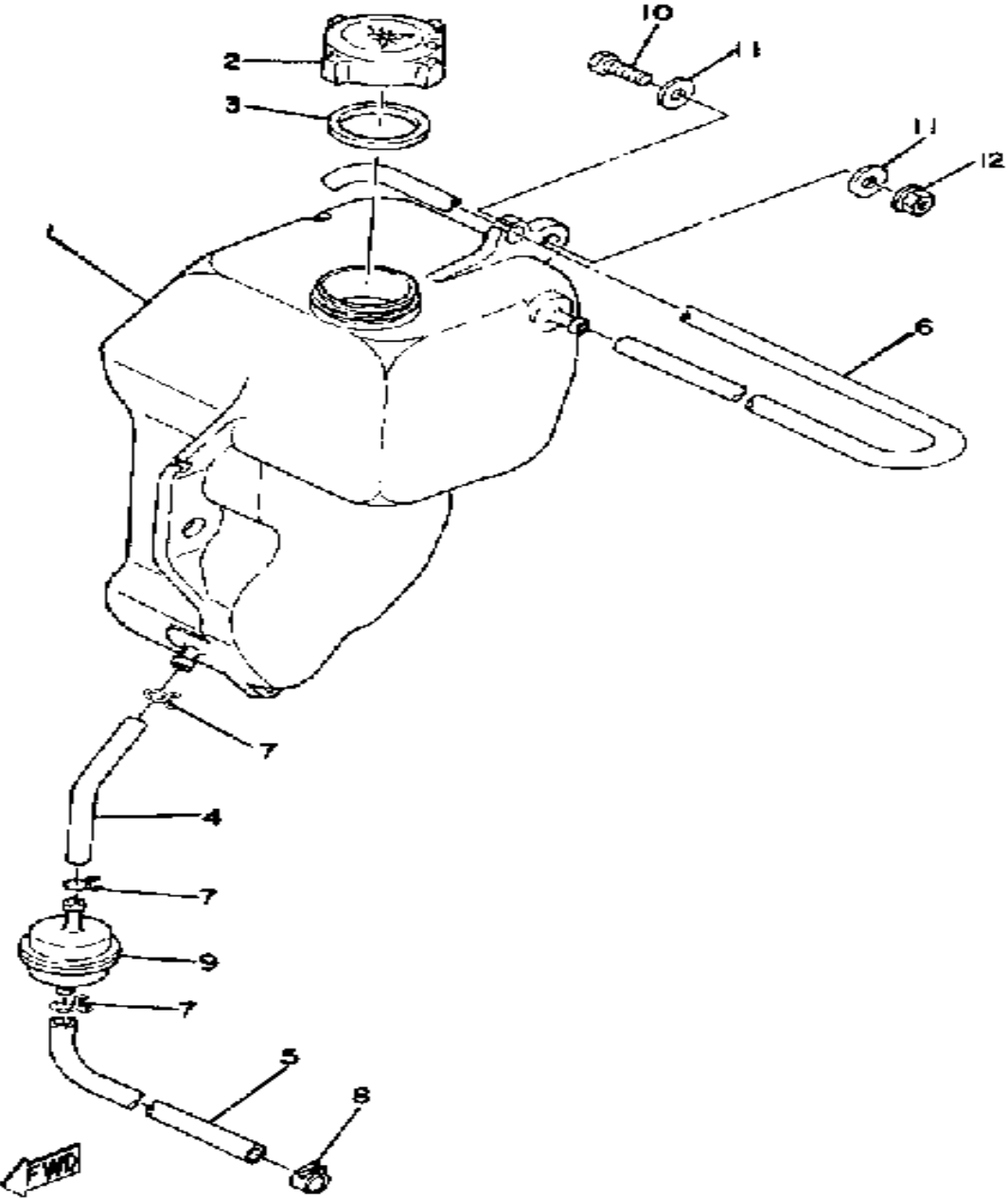
CONTROL - CABLE ET250D - E



Ref. No.	Part Number	Description	Qty	Remarks
1	8X0-26311-01-00	CABLE, THROTTLE 1	1	
2	90468-10017-00	CLIP (821-26391-00)	1	
3	8J5-42138-00-00	LEVER, THROTTLE	1	
4	90387-06681-00	COLLAR	2	
5	98580-06550-00	SCREW PAN HEAD (92503-06050)	1	
6	92901-06600-00	WASHER	2	
7	95701-06300-00	NUT, NYLON	1	
8	8F3-26340-01-00	CABLE, BRAKE	1	
9	801-26241-01-00	GRIP	2	
10	90387-22726-00	COLLAR	1	
11	8L2-26331-00-00	KNOB, STARTER	1	
12	861-82361-00-00	CLAMP, CORD	1	
13	90468-15020-00	CLIP	2	

Property of www.SmallEngineDiscount.com - Not for Resale

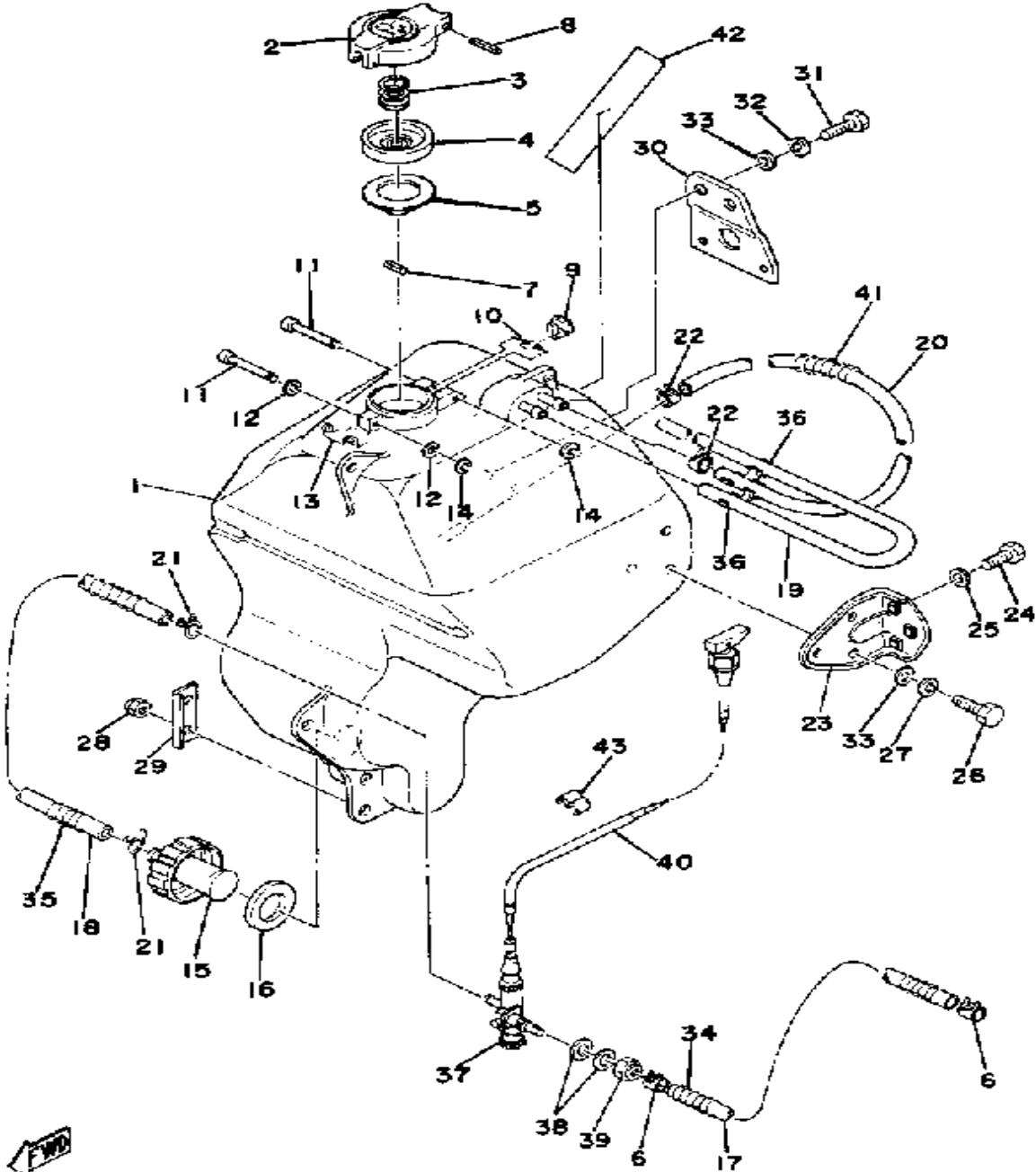
OIL TANK ET250C - D - E



Ref. No.	Part Number	Description	Qty	Remarks
1	8F3-21751-02-00	TANK, OIL	1	
2	863-21771-00-00	BODY, CAP	1	
3	90430-31003-00	GASKET	1	
4	90446-09065-00	HOSE	1	
5	90446-09059-00	HOSE	1	
6	90446-09060-00	HOSE	1	
7	90467-09005-00	CLIP, SCISSOR	3	
8	90467-09026-00	CLIP	1	
9	J10-13410-00-00	STRAINER HSNG ASSEMBLY .	1	
10	97313-08030-00	BOLT, HEXAGON	2	
11	90201-08107-00	WASHER, PLATE	4	
	90201-08748-00	WASHER, PLATE	4	
12	95712-08300-00	NUT, LOCK	2	

Property of www.SmallEngineDiscount.com - Not for Resale

FUEL TANK ET250C

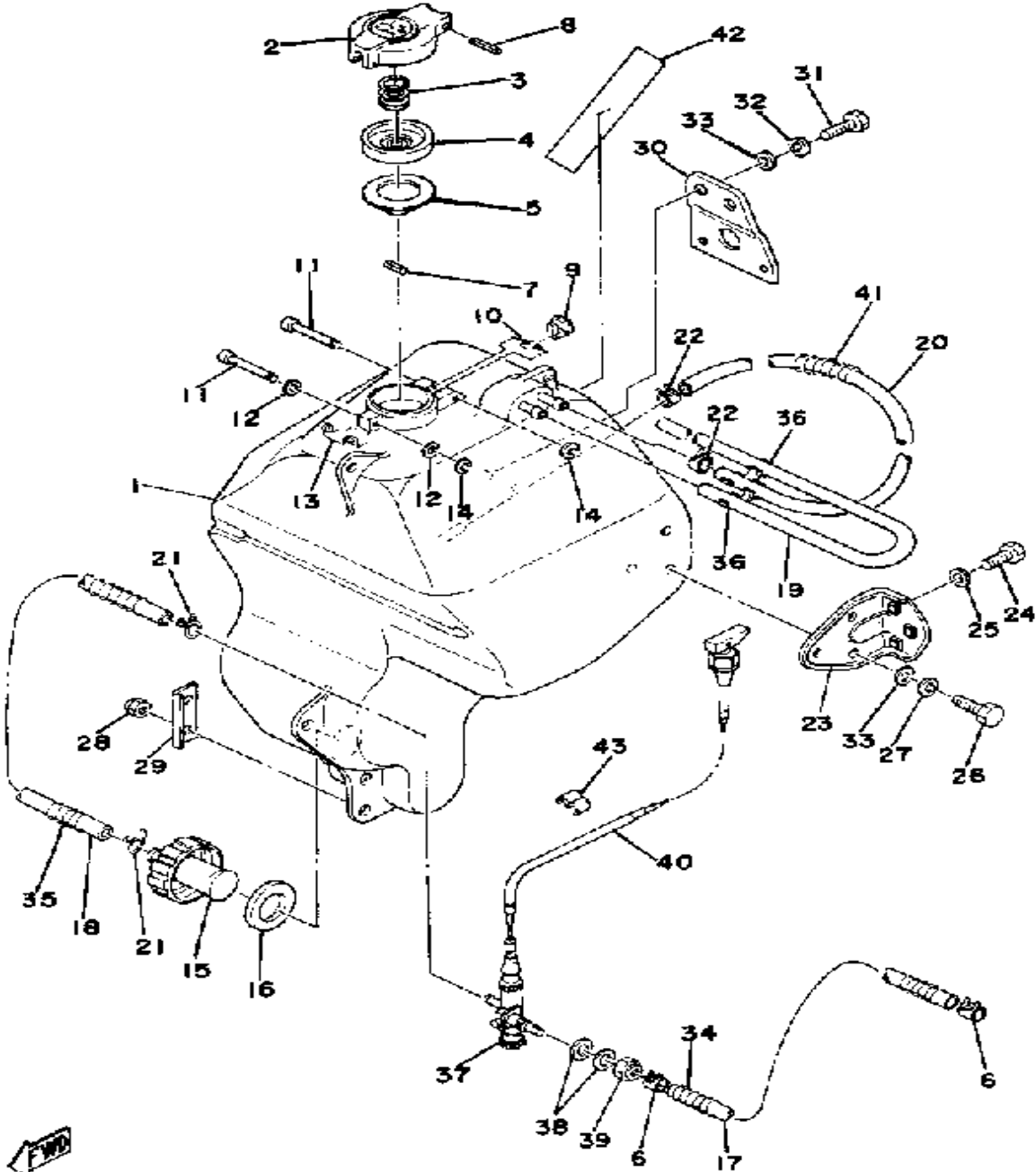


Ref. No.	Part Number	Description	Qty	Remarks
1	8F3-24111-00-00	FUEL TANK	1	
2	813-24611-01-00	BODY, CAP	1	
3	90501-20130-00	SPRING, COMPRESSION	1	
4	813-24613-01-00	DISC, CAP	1	
5	8F7-24641-00-00	GASKET, CAP 1	1	
6	90467-11028-00	CLIP	2	
7	91609-30016-00	PIN, SPRING	1	
8	91609-25032-00	PIN, SPRING	1	
9	83M-24628-00-00	HOOK	1	
10	90508-08003-00	SPRING, TORSION (813-24637-00)	1	
11	90249-03017-00	PIN	2	
12	90201-03313-00	WASHER, PLATE	2	
13	90508-08353-00	SPRING, TORSION	1	
14	93430-02001-00	CIRCLIP	2	
15	8R4-24560-00-00	FILTER ASSEMBLY.	1	
16	8F3-24564-00-00	GASKET	1	
17	807-24312-00-00	PIPE 2	1	
18	90446-11032-00	HOSE (815-24312-00)	1	
19	90446-09155-00	HOSE	1	
20	90446-09013-00	HOSE (90446-09079)	1	
21	90467-11009-00	CLIP	2	
22	90467-09026-00	CLIP	2	
23	(8F3-24191-01-00)	BRACKET, FUEL TNK 1	1	
24	97313-08018-00	BOLT, HEXAGON (97301-08016)	3	
25	90208-08011-00	WASHER, CONICAL SPRING ..	3	
26	97313-08012-00	BOLT	3	
27	92990-08100-00	WASHER	3	
28	95712-08300-00	NUT, LOCK	2	

CONTINUED ON NEXT FRAME ➤

Property of www.SmallEngineDiscount.com - Not for Resale

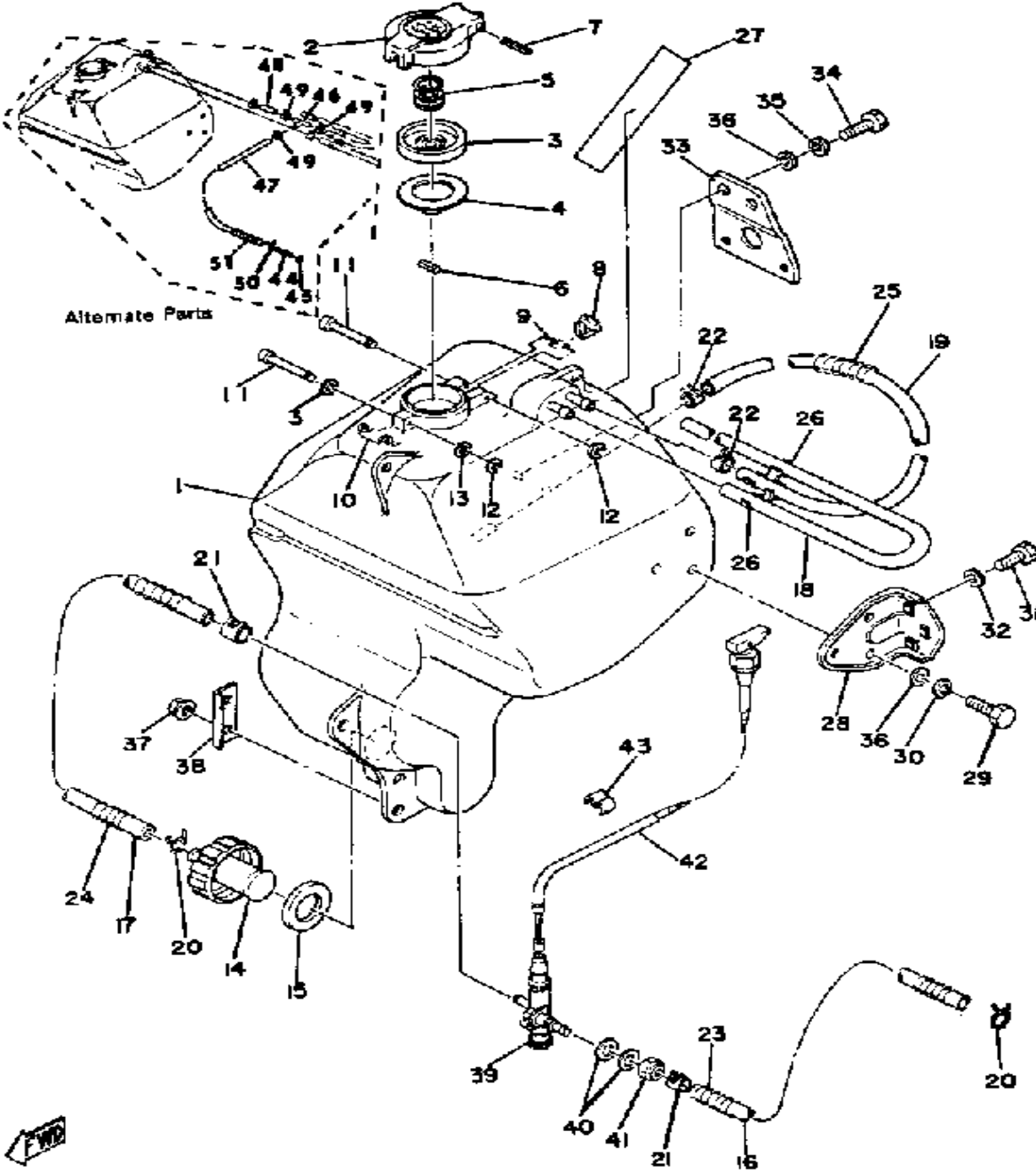
FUEL TANK ET250C



Ref. No.	Part Number	Description	Qty	Remarks
29	(8F3-24186-00-00)	WASHER, SPECIAL	1	
30	(8F3-24192-00-00)	BRACKET, FUEL TNK 2	1	
31	97313-08018-00	BOLT, HEXAGON (97301-08016)	2	
32	92990-08100-00	WASHER	2	
33	90201-08107-00	WASHER, PLATE	5	
34	(8G5-24326-00-00)	PROTECTOR, PIPE	1	
35	8F3-24327-00-00	PROTECTOR, PIPE	1	
36	(90468-15076-00)	CLIP	2	
37	84M-24500-00-00	FUEL COCK ASSEMBLY	1	
38	90201-12190-00	WASHER, PLATE	2	
39	90185-12119-00	NUT, SELF-LOCKING	1	
40	8G5-24575-00-00	LEVER, FUEL CHANGE	1	
41	8F3-24328-00-00	PROTECTOR, PIPE	1	
42	(8G5-24161-00-00)	EMBLEM 1	1	
43	90468-15009-00	CLIP	1	

Property of www.SmallEngineDiscount.com - Not for Resale

FUEL TANK ET250D

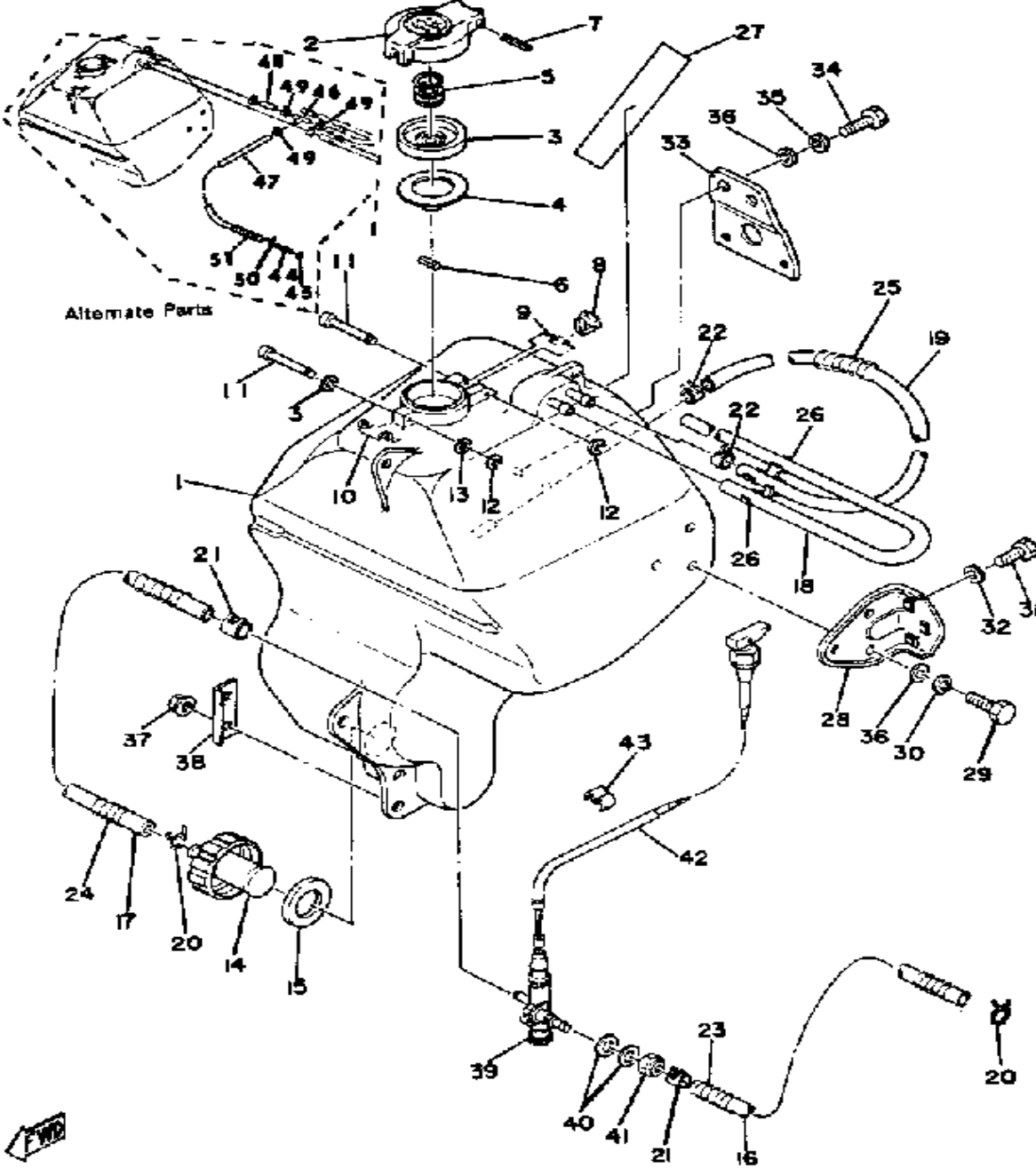


Ref. No.	Part Number	Description	Qty	Remarks
1	8F3-24111-00-00	FUEL TANK	1	
2	813-24611-01-00	BODY, CAP	1	
3	813-24613-01-00	DISC, CAP	1	
4	8F7-24641-00-00	GASKET, CAP 1	1	
5	90501-20130-00	SPRING, COMPRESSION	1	
6	91609-30016-00	PIN, SPRING	1	
7	91609-25032-00	PIN, SPRING	1	
8	83M-24628-00-00	HOOK	1	
9	90508-08003-00	SPRING, TORSION (813-24637-00)	1	
10	90508-08353-00	SPRING, TORSION	1	
11	90249-03017-00	PIN	2	
12	93430-02001-00	CIRCLIP	2	
13	90201-03313-00	WASHER, PLATE	2	
14	8R4-24560-00-00	FILTER ASSEMBLY.	1	
15	8F3-24564-00-00	GASKET	1	
16	807-24312-00-00	PIPE 2	1	
17	90446-11032-00	HOSE (815-24312-00)	1	
18	90446-09155-00	HOSE	1	
19	90446-09013-00	HOSE (90446-09079)	1	
20	90467-11009-00	CLIP	2	
21	90467-11028-00	CLIP	2	
22	90467-09026-00	CLIP	2	
23	(8G5-24326-00-00)	PROTECTOR, PIPE	1	
24	8F3-24327-00-00	PROTECTOR, PIPE	1	
25	8F3-24328-00-00	PROTECTOR, PIPE	1	
26	(90468-15076-00)	CLIP	2	
27	(8G5-24161-00-00)	EMBLEM 1	1	
28	(8F3-24191-01-00)	BRACKET, FUEL TNK 1	1	

CONTINUED ON NEXT FRAME ►

Property of www.SmallEngineDiscount.com - Not for Resale

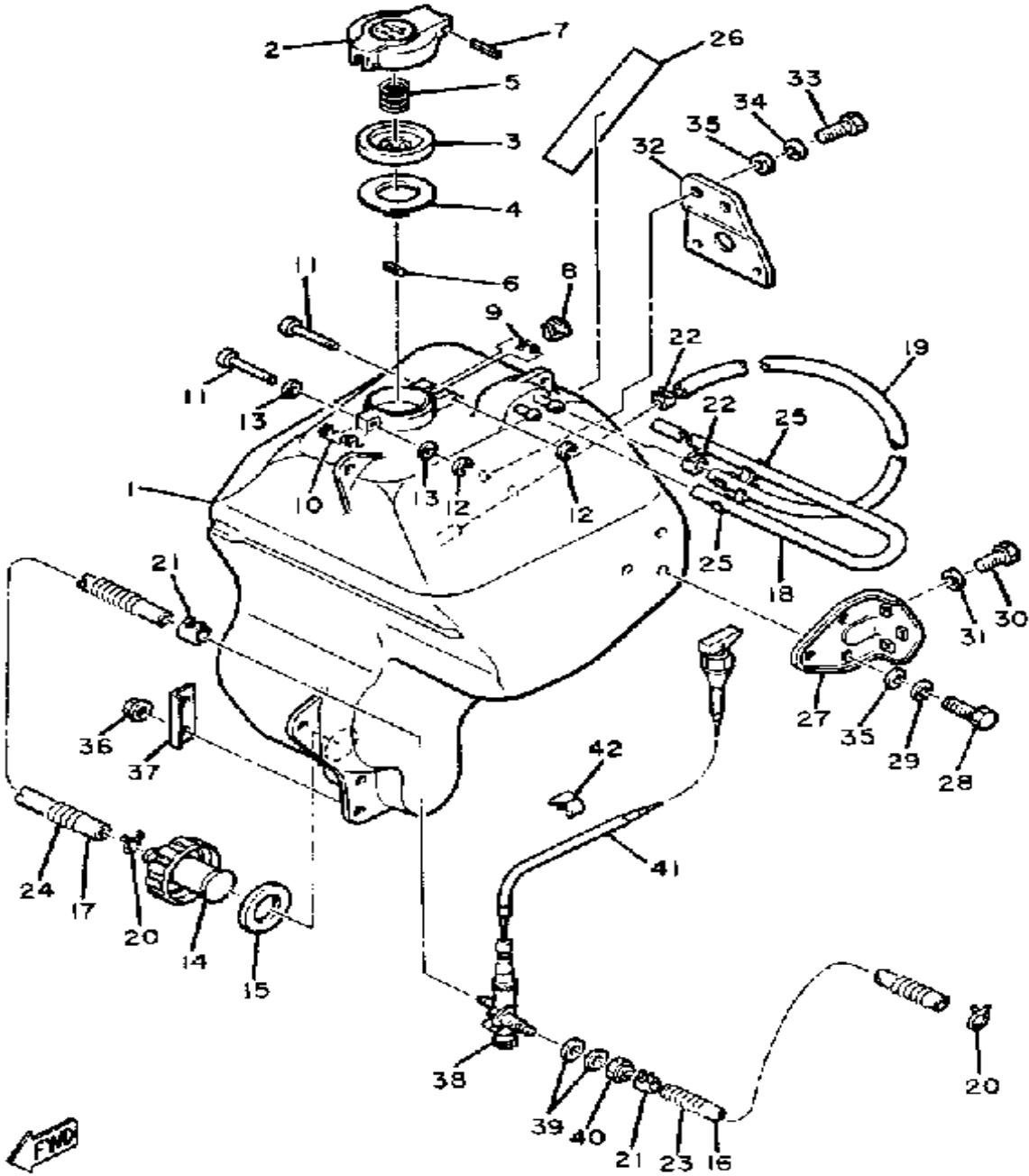
FUEL TANK ET250D



Ref. No.	Part Number	Description	Qty	Remarks
29	97313-08012-00	BOLT	3	
30	92990-08100-00	WASHER	3	
31	97313-08018-00	BOLT, HEXAGON (97301-08016)	3	
32	90208-08011-00	WASHER, CONICAL SPRING	3	
33	(8F3-24192-00-00)	BRACKET, FUEL TNK 2	1	
34	97313-08018-00	BOLT, HEXAGON (97301-08016)	2	
35	92990-08100-00	WASHER	2	
36	90201-08748-00	WASHER, PLATE	5	
37	95712-08300-00	NUT, LOCK	1	
38	(8F3-24186-00-00)	WASHER, SPECIAL	1	
39	84M-24500-00-00	FUEL COCK ASSEMBLY	1	
40	(90201-12754-00)	WASHER, PLATE	2	
41	90185-12119-00	NUT, SELF-LOCKING	1	
42	8G5-24575-00-00	LEVER, FUEL CHANGE	1	
43	90468-15009-00	CLIP	1	
44	8G5-14350-00-00	PIPE ADAPTOR ASSEMBLY	1	ALTERNATE PARTS
	8G5-14350-00-00	PIPE ADAPTOR ASSEMBLY	1	ALTERNATE PARTS
45	810-14597-00-00	WASHER	1	
46	867-24461-00-00	PIPE, JOINT	1	
47	90446-09059-00	HOSE	1	
48	90446-09065-00	HOSE	1	
49	90467-09026-00	CLIP	3	
50	90460-09001-00	CLAMP, HOSE	1	
51	8G5-24328-00-00	PROTECTOR, PIPE	1	

Property of www.SmallEngineDiscount.com - Not for Resale

FUEL TANK ET250E

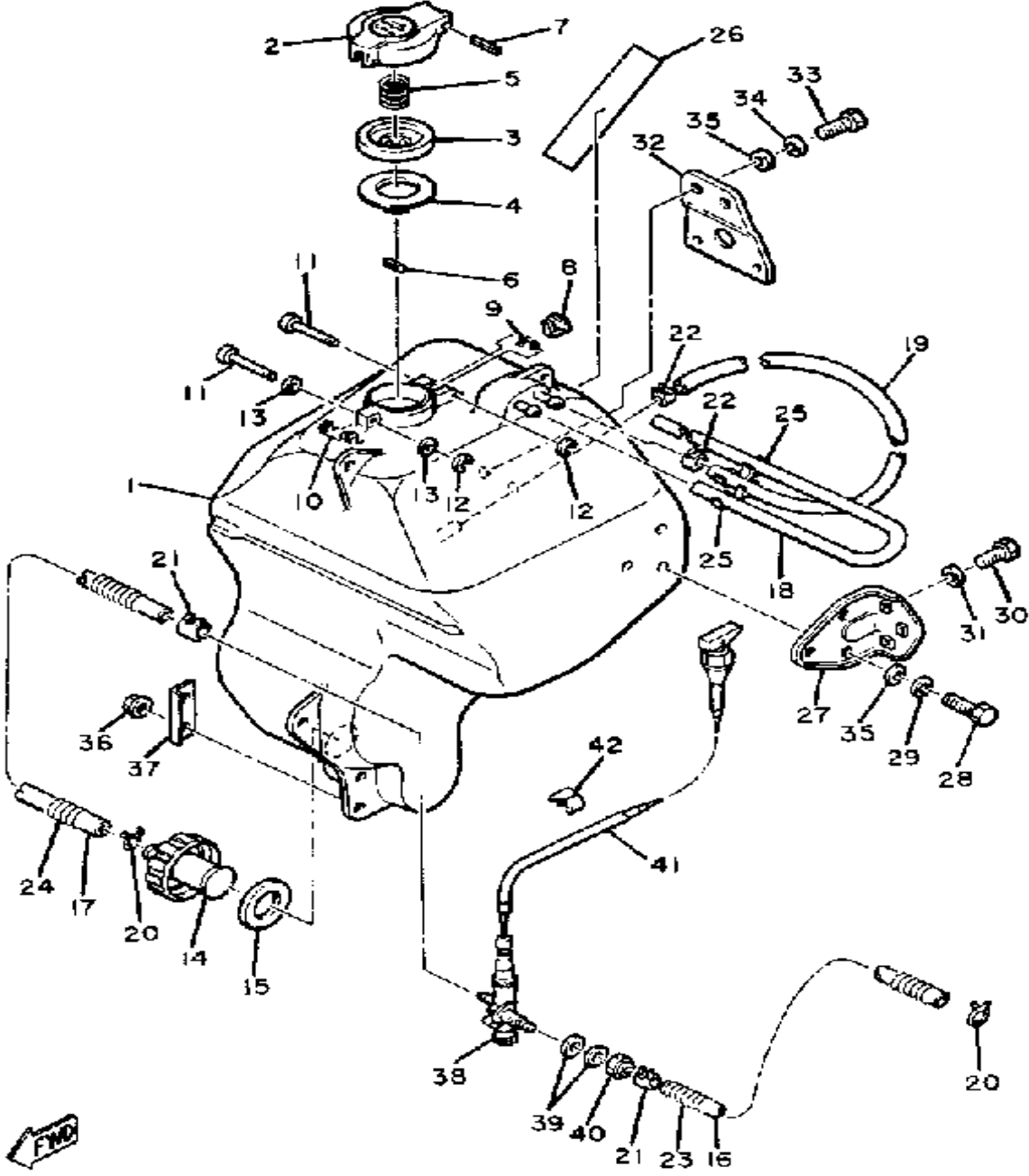


Ref. No.	Part Number	Description	Qty	Remarks
1	8F3-24111-00-00	FUEL TANK	1	
2	813-24611-01-00	BODY, CAP	1	
3	813-24613-01-00	DISC, CAP	1	
4	8F7-24624-10-00	UNAVAILABLE IN PRICE BOOK	1	
5	90501-20130-00	SPRING, COMPRESSION	1	
6	91609-30016-00	PIN, SPRING	1	
7	91609-25032-00	PIN, SPRING	1	
8	83M-24628-00-00	HOOK	1	
9	90508-08003-00	SPRING, TORSION (813-24637-00)	1	
10	90508-08353-00	SPRING, TORSION	1	
11	90249-03017-00	PIN	2	
12	93430-02001-00	CIRCLIP	2	
13	90201-03313-00	WASHER, PLATE	2	
14	8R4-24560-00-00	FILTER ASSEMBLY.	1	
15	8F3-24564-00-00	GASKET	1	
16	807-24312-00-00	PIPE 2	1	
17	90446-11032-00	HOSE (815-24312-00)	1	
18	90446-09155-00	HOSE	1	
19	90446-09013-00	HOSE (90446-09079)	1	
20	90467-11009-00	CLIP	2	
21	90467-11028-00	CLIP	2	
22	90467-09026-00	CLIP	2	
23	(8G5-24326-00-00)	PROTECTOR, PIPE	1	
24	8F3-24327-00-00	PROTECTOR, PIPE	1	
25	(90468-15076-00)	CLIP	2	
26	(8G5-24161-00-00)	EMBLEM 1	1	
27	(8F3-24191-01-00)	BRACKET, FUEL TNK 1	1	
28	97313-08012-00	BOLT	3	

CONTINUED ON NEXT FRAME ►

Property of www.SmallEngineDiscount.com - Not for Resale

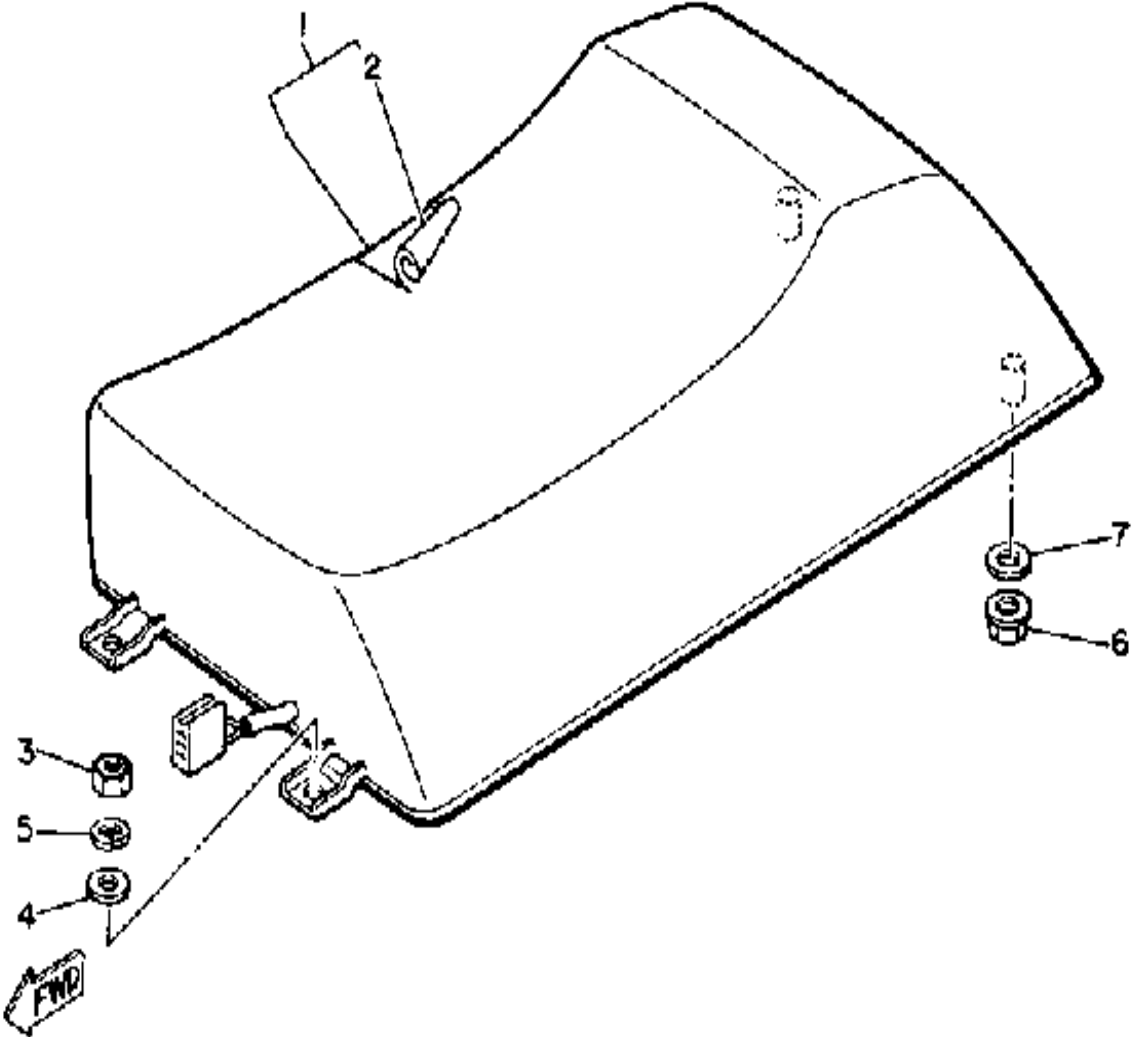
FUEL TANK ET250E



Ref. No.	Part Number	Description	Qty	Remarks
29	92990-08100-00	WASHER	3	
30	97011-08016-00	BOLT	3	
31	90208-08011-00	WASHER, CONICAL SPRING	3	
32	(8F3-24192-00-00)	BRACKET, FUEL TNK 2	1	
33	97011-08016-00	BOLT	2	
34	92990-08100-00	WASHER	2	
35	90201-08748-00	WASHER, PLATE	5	
36	95712-08300-00	NUT, LOCK	1	
37	(8F3-24186-00-00)	WASHER, SPECIAL	1	
38	84M-24500-00-00	FUEL COCK ASSEMBLY	1	
39	(90201-12754-00)	WASHER, PLATE	2	
40	90185-12119-00	NUT, SELF-LOCKING	1	
41	8G5-24575-00-00	LEVER, FUEL CHANGE	1	
42	90468-15009-00	CLIP	1	

Property of www.SmallEngineDiscount.com - Not for Resale

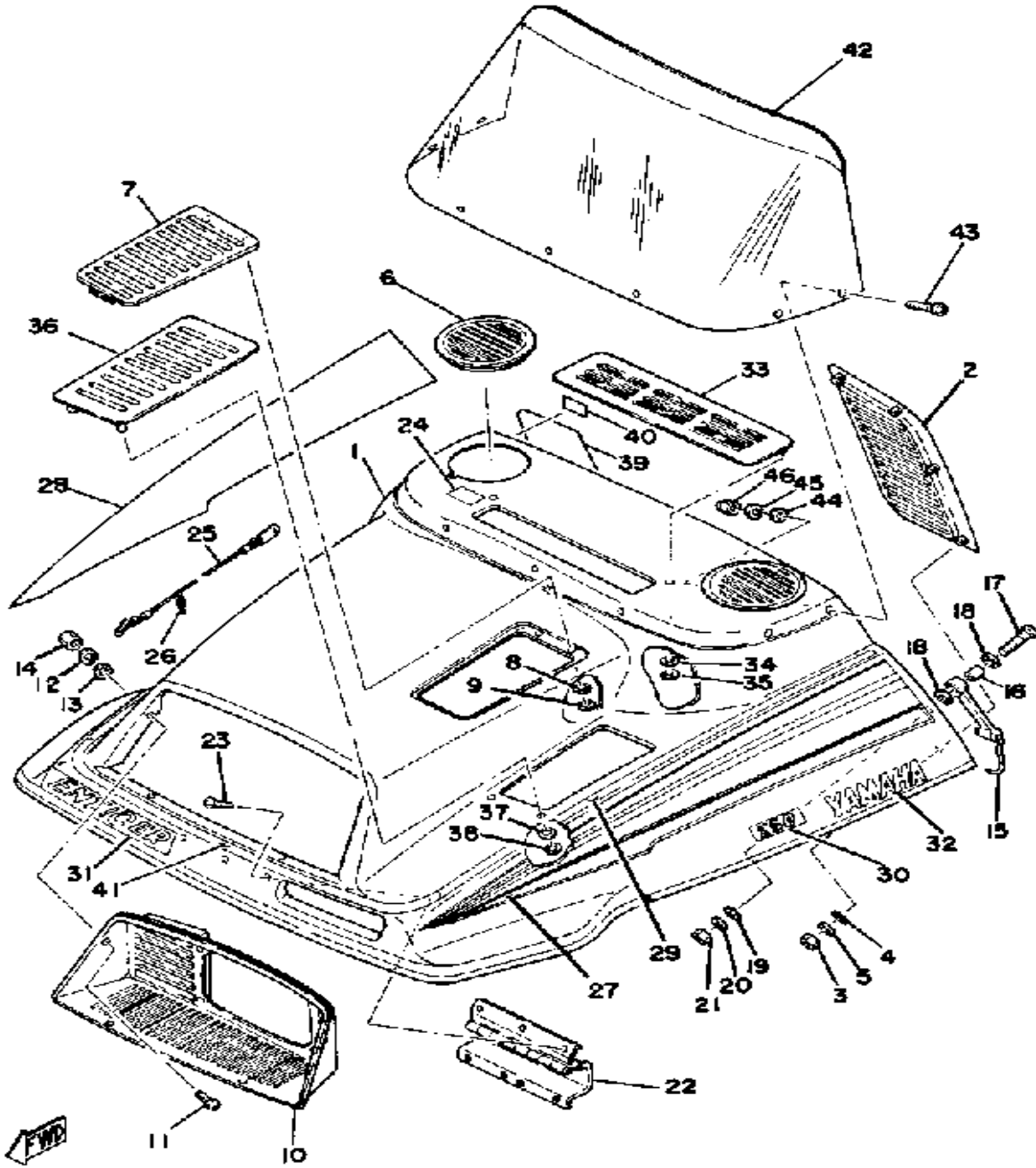
SEAT ET250C - D - E



Ref. No.	Part Number	Description	Qty	Remarks
1	8J5-24710-00-00	SINGLE SEAT ASSEMBLY	1	
2	8G5-24711-00-00	. COVER, SINGLE SEAT	1	
	8J5-24711-00-00	. COVER, SINGLE SEAT	1	
3	95380-06600-00	NUT	2	
4	90201-065F3-00	WASHER, PLATE	2	
5	92995-06100-00	WASHER, SPRING	2	
6	95712-08300-00	NUT, LOCK	1	
	95712-08300-00	NUT, LOCK	2	
7	90201-08107-00	WASHER, PLATE	2	
	90201-08748-00	WASHER, PLATE	2	

Property of www.SmallEngineDiscount.com - Not for Resale

SHROUD ET250C

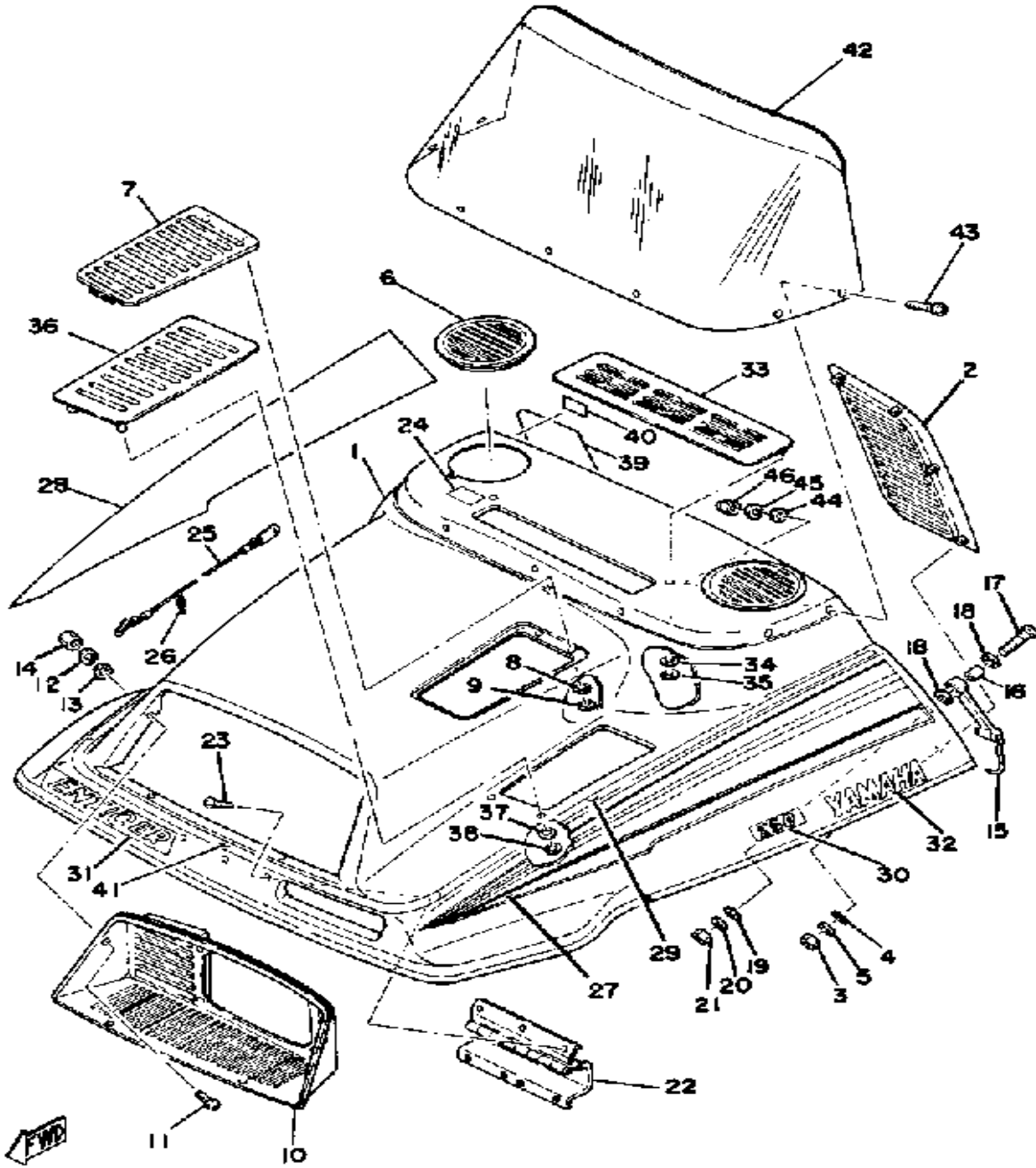


Ref. No.	Part Number	Description	Qty	Remarks
1	(8G5-77110-00-00)	SHROUD ASSEMBLY	1	
2	8F3-77131-00-00	LOUVER 1	1	
3	95380-05600-00	NUT	4	
4	92990-05200-00	WASHER, PLAIN	4	
5	92990-05100-00	WASHER, SPRING	4	
6	8F3-77133-00-00	LOUVER 3	2	
7	8F3-77134-01-00	LOUVER 4	1	
8	838-77143-00-00	EMBLEM 3	2	
9	90183-05003-00	NUT, SPRING	2	
10	8F3-84311-00-00	BODY, HEADLIGHT	1	
11	98906-05020-00	SCREW, BIND	4	
12	92990-05100-00	WASHER, SPRING	4	
13	90201-05651-00	WASHER, PLATE	4	
14	95380-05600-00	NUT	4	
15	8G5-77170-00-00	LATCH ASSEMBLY	2	
16	90560-07007-00	SPACER	2	
17	98980-06030-00	SCREW, BIND	2	
18	90201-06067-00	WASHER, PLATE	4	
19	92901-06600-00	WASHER	2	
20	92995-06100-00	WASHER, SPRING	2	
21	95380-06600-00	NUT	2	
22	8F3-77140-00-00	HINGE ASSEMBLY	1	
23	98903-06016-00	SCREW, BIND	3	
24	8G5-24153-00-00	INDICATOR, COCK		
	8H4-77118-00-00	STOPPER, SHROUD	1	
26	838-77159-00-00	CLAMP, ROD	1	
27	(8H4-77163-00-00)	ORNAMENT 1	1	
28	(8H4-77164-00-00)	ORNAMENT 2	1	
29	(8H4-77169-00-00)	ORNAMENT 3	2	

CONTINUED ON NEXT FRAME ➤

Property of www.SmallEngineDiscount.com - Not for Resale

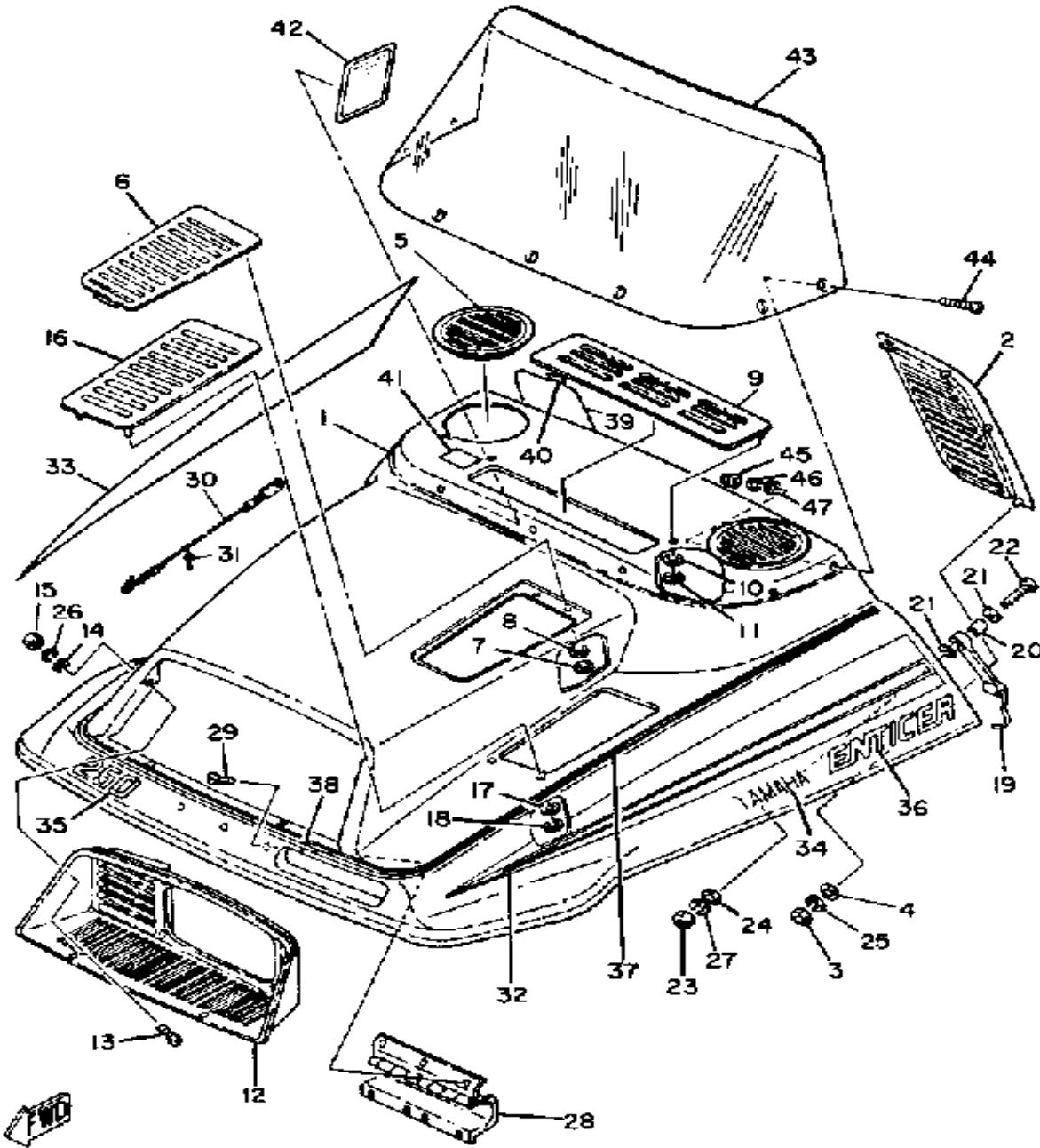
SHROUD ET250C



Ref. No.	Part Number	Description	Qty	Remarks
30	8H4-77113-00-00	ORNAMENT 4	2	
31	(8H4-77356-00-00)	EMBLEM 6	1	
32	(8G5-77357-00-00)	EMBLEM 7	2	
33	8J4-77109-00-00	LOUVER 5	1	
34	838-77143-00-00	EMBLEM 3	2	
35	90183-05003-00	NUT, SPRING	2	
36	8J4-77108-00-00	LOUVER 6	1	
37	90183-05003-00	NUT, SPRING	2	
38	838-77143-00-00	EMBLEM 3	2	
39	8F3-77458-00-00	LABEL, WARNING	1	
40	288-21659-00-00	LABEL, SAFETY	1	
41	(8H4-77281-00-00)	STRIPE 1	1	
42	8N4-77210-00-00	WINDSHIELD	1	
	8N5-77210-00-00	WINDSHIELD	1	ALT. PART
43	90154-05059-00	SCREW, BINDING	7	
44	90201-05029-00	WASHER, PLATE	6	
45	92990-05100-00	WASHER, SPRING	7	
46	95380-05600-00	NUT	7	

Property of www.SmallEngineDiscount.com - Not for Resale

SHROUD - WINDSHIELD ET250D

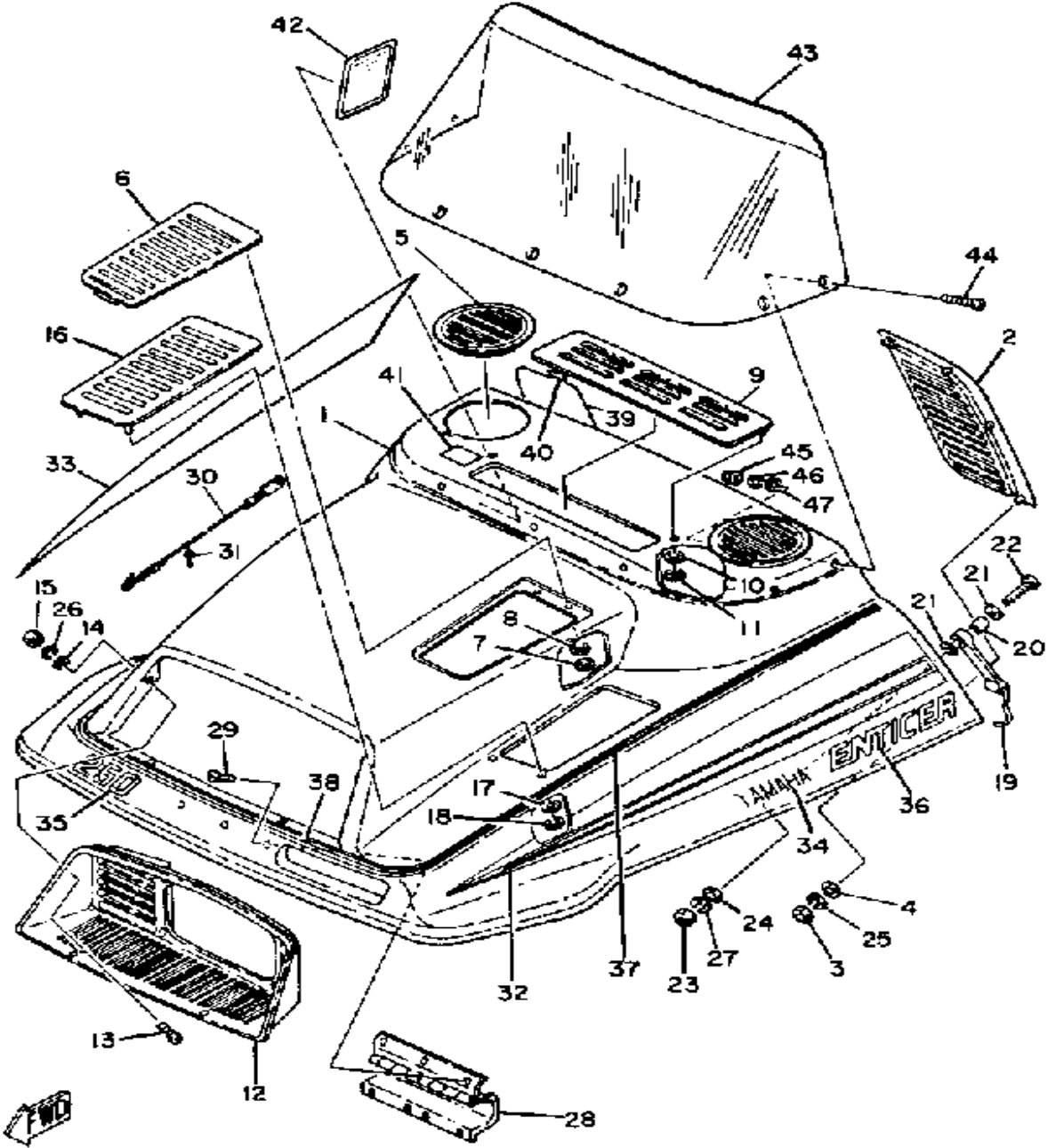


Ref. No.	Part Number	Description	Qty	Remarks
1	8J5-W7711-00-00	SHROUD ASSEMBLY	1	
2	8F3-77131-00-00	LOUVER 1	1	
3	95380-05600-00	NUT	4	
4	92990-05200-00	WASHER, PLAIN	4	
5	8A7-77133-30-00	LOUVER 3	2	
6	8J5-77134-00-00	LOUVER 4	1	
7	90183-05003-00	NUT, SPRING	2	
8	838-77143-00-00	EMBLEM 3	2	
9	8J4-77109-00-00	LOUVER 5	1	
10	838-77143-00-00	EMBLEM 3	2	
11	90183-05003-00	NUT, SPRING	2	
12	8F3-84311-00-00	BODY, HEADLIGHT	1	
13	98906-05020-00	SCREW, BIND	4	
14	90201-05651-00	WASHER, PLATE	3	
15	95380-05600-00	NUT	4	
16	8J4-77108-00-00	LOUVER 6	1	
17	90183-05003-00	NUT, SPRING	2	
18	838-77143-00-00	EMBLEM 3	2	
19	8G5-77170-00-00	LATCH ASSEMBLY	2	
20	90560-07007-00	SPACER	2	
21	90201-06067-00	WASHER, PLATE	4	
22	98980-06030-00	SCREW, BIND	2	
23	95380-06600-00	NUT	2	
24	92901-06600-00	WASHER	2	
25	92990-05100-00	WASHER, SPRING	4	
26	92990-05100-00	WASHER, SPRING	4	
27	92995-06100-00	WASHER, SPRING	2	
28	8F3-77140-00-00	HINGE ASSEMBLY	1	
29	98903-06016-00	SCREW, BIND	3	

CONTINUED ON NEXT FRAME ➤

Property of www.SmallEngineDiscount.com - Not for Resale

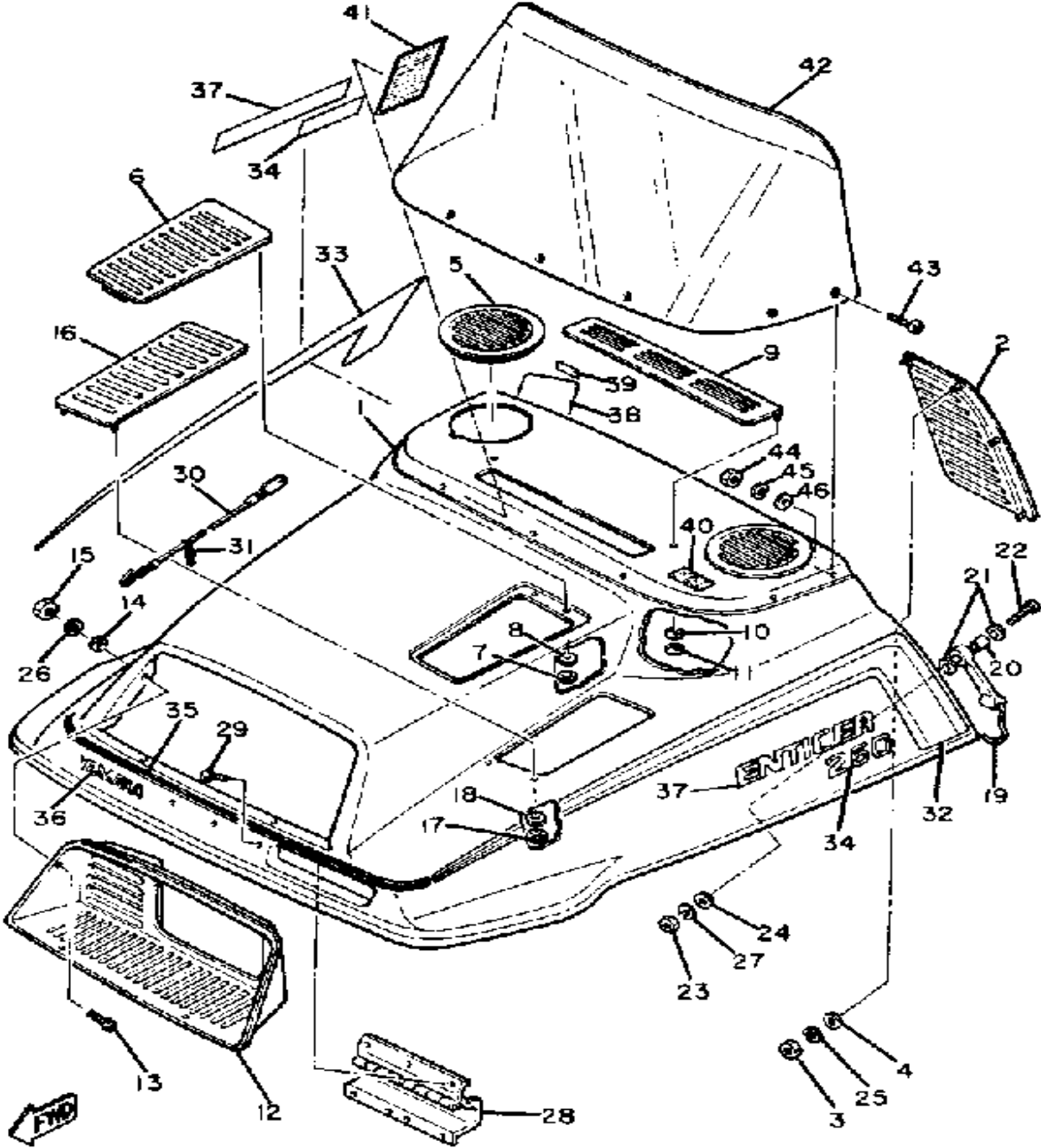
SHROUD - WINDSHIELD ET250D



Ref. No.	Part Number	Description	Qty	Remarks
30	8H4-77118-00-00	STOPPER, SHROUD	1	
31	838-77159-00-00	CLAMP, ROD	1	
32	(8J5-77163-00-00)	ORNAMENT 1	1	
33	(8J5-77164-00-00)	ORNAMENT 2	1	
34	8J5-77113-00-00	ORNAMENT 4	2	
35	(8J5-77356-00-00)	EMBLEM 6	1	
36	(8J5-77357-00-00)	EMBLEM 7	2	
37	(8J5-77169-00-00)	ORNAMENT 3	2	
38	8J5-77281-00-00	STRIPE 1	1	
39	8F3-77458-00-00	LABEL, WARNING	1	
40	288-21659-00-00	LABEL, SAFETY	1	
41	8G5-24153-00-00	INDICATOR, COCK	1	
42	8J5-77743-00-00	INDICATOR 3	1	
43	8N4-77210-00-00	WINDSHIELD	1	
	8N5-77210-00-00	WINDSHIELD	1	ALT. PART
44	90154-05059-00	SCREW, BINDING	7	
45	95380-05600-00	NUT	7	
46	92990-05100-00	WASHER, SPRING	7	
47	(8J5-70000-00-00)	ORNAMENT SET		
	90201-05029-00	WASHER, PLATE	6	

Property of www.SmallEngineDiscount.com - Not for Resale

SHROUD - WINDSHIELD ET250E

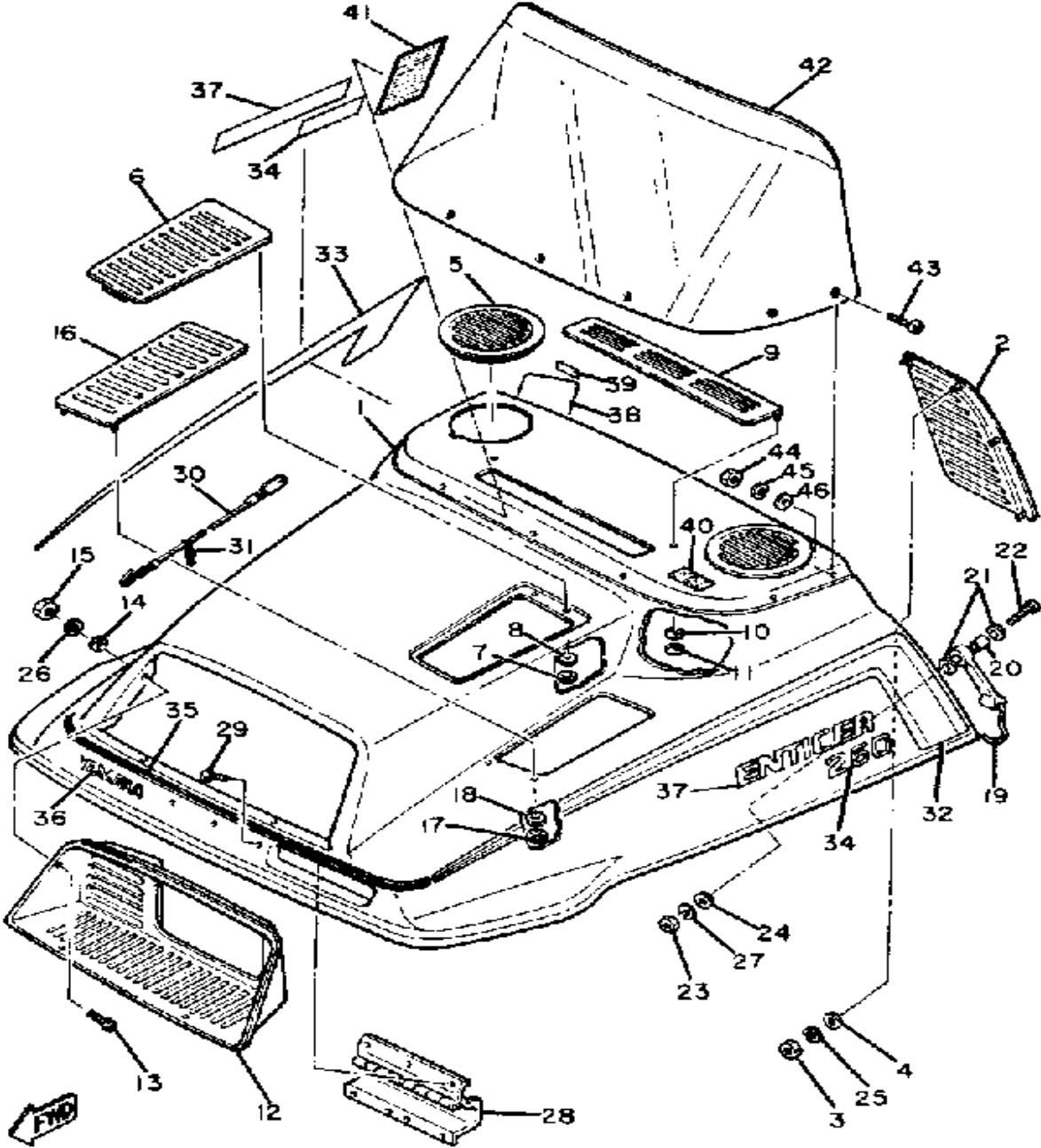


Ref. No.	Part Number	Description	Qty	Remarks
1	8J5-W7711-00-00	SHROUD ASSEMBLY	1	
2	8F3-77131-00-00	LOUVER 1	1	
3	95380-05600-00	NUT	4	
4	92990-05200-00	WASHER, PLAIN	4	
5	8A7-77133-30-00	LOUVER 3	2	
6	8J5-77134-00-00	LOUVER 4	1	
7	90183-05003-00	NUT, SPRING	2	
8	838-77143-00-00	EMBLEM 3	2	
9	8J4-77109-00-00	LOUVER 5	1	
10	838-77143-00-00	EMBLEM 3	2	
11	90183-05003-00	NUT, SPRING	2	
12	8F3-84311-00-00	BODY, HEADLIGHT	1	
13	98906-05020-00	SCREW, BIND	4	
14	90201-05651-00	WASHER, PLATE	4	
15	95380-05600-00	NUT	4	
16	8J4-77108-00-00	LOUVER 6	1	
17	90183-05003-00	NUT, SPRING	2	
18	838-77143-00-00	EMBLEM 3	2	
19	8G5-77170-00-00	LATCH ASSEMBLY	2	
20	90560-07007-00	SPACER	2	
21	90201-06067-00	WASHER, PLATE	4	
22	98906-06030-00	SCREW, BIND	2	
23	95380-06600-00	NUT	2	
24	92901-06600-00	WASHER	2	
25	92990-05100-00	WASHER, SPRING	4	
26	92990-05100-00	WASHER, SPRING	4	
27	92995-06100-00	WASHER, SPRING	2	
28	8F3-77140-00-00	HINGE ASSEMBLY	1	
29	98903-06016-00	SCREW, BIND	3	

CONTINUED ON NEXT FRAME ➤

Property of www.SmallEngineDiscount.com - Not for Resale

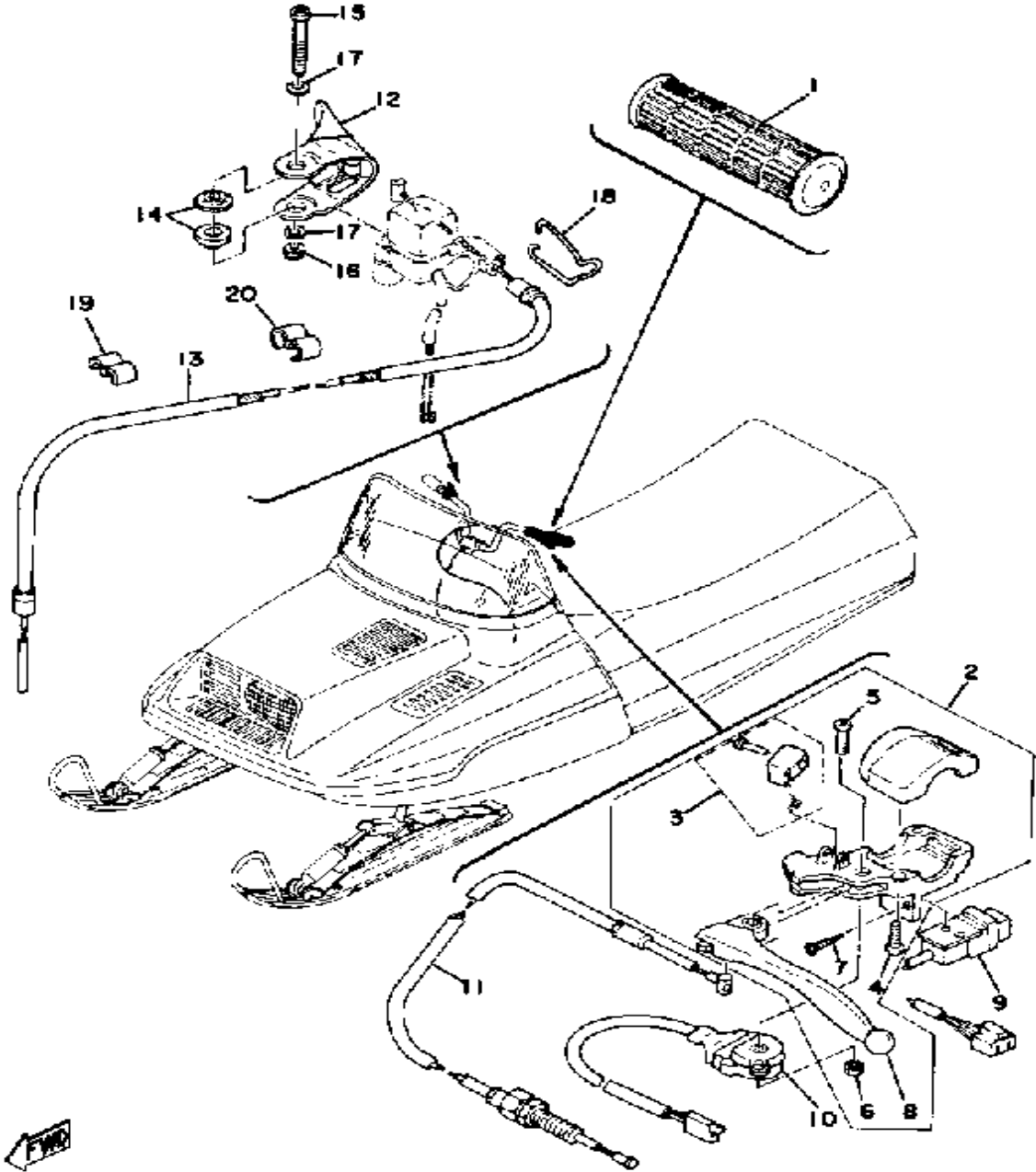
SHROUD - WINDSHIELD ET250E



Ref. No.	Part Number	Description	Qty	Remarks
30	8H4-77118-00-00	STOPPER, SHROUD	1	
31	838-77159-00-00	CLAMP, ROD	1	
32	8L2-77163-00-00	ORNAMENT 1	1	
33	(8L2-77164-00-00)	ORNAMENT 2	1	
34	8L2-77353-00-00	EMBLEM 3	2	
35	8L2-77281-00-00	STRIPE 1	1	
36	8L2-77351-00-00	EMBLEM 1	1	
37	8L2-77352-00-00	EMBLEM 2	2	
38	8F3-77458-00-00	LABEL, WARNING	1	
39	288-21659-00-00	LABEL, SAFETY	1	
40	8L2-77761-01-00	LABEL, WARNING 1	1	
41	(8L2-77743-00-00)	INDICATOR 3	1	
42	8N4-77210-00-00	WINDSHIELD	1	U.R.
	8N5-77210-00-00	WINDSHIELD	1	U.R.
43	90154-05059-00	SCREW, BINDING	7	
44	95380-05600-00	NUT	7	
45	92990-05100-00	WASHER, SPRING	7	
46	8L2-W0070-00-00	GRAPHIC SET	1	OPTIONAL PARTSWITH +
	90201-05029-00	WASHER, PLATE	6	

Property of www.SmallEngineDiscount.com - Not for Resale

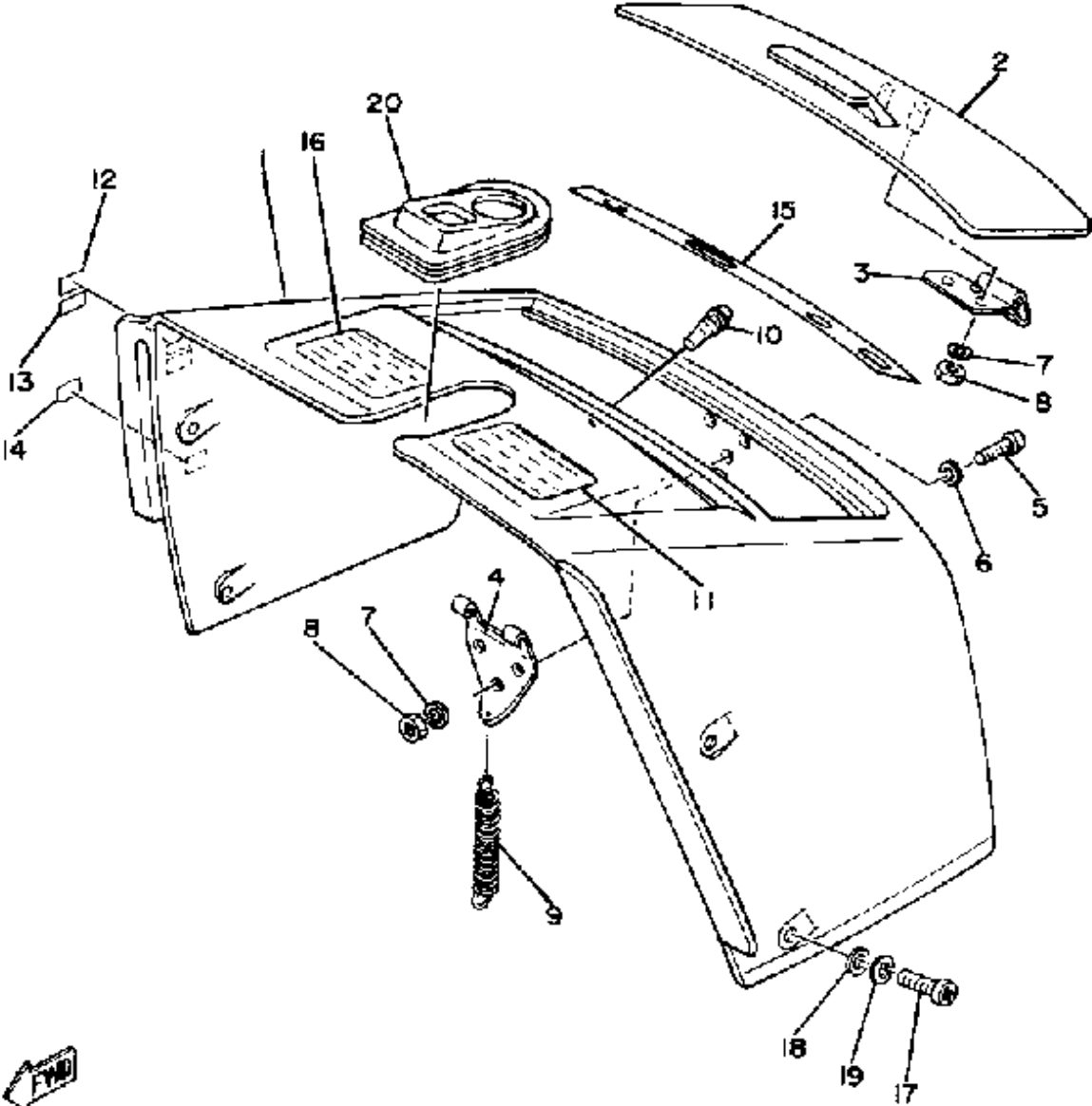
GRIP WIRING ET250C



Ref. No.	Part Number	Description	Qty	Remarks
1	801-26241-01-00	GRIP	2	
2	8E3-W8291-01-00	LEVER HOLDER ASSEMBLY (LEFT)	1	
3	8E3-83930-00-00	. LEVER LOCK ASSEMBLY ...	1	
4	98501-05018-00	. SCREW, PAN HEAD	2	
5	98501-05035-00	. SCREW, PAN HEAD	1	
6	95701-05300-00	. NUT, NYLON	1	
7	97780-30312-00	. SCREW, tapping	1	
8	803-83912-00-38	. LEVER 1	1	
9	8H8-83950-01-00	BEAM SWITCH ASSEMBLY (8K4-83950-01-00)	1	
10	8R4-82530-00-00	STOP SWITCH ASSEMBLY ...	1	
11	8F3-26340-01-00	CABLE, BRAKE	1	
12	8G8-42138-00-00	LEVER, THROTTLE	1	
13	8X0-26311-01-00	CABLE, THROTTLE 1	1	
14	90387-06681-00	COLLAR	2	
15	98580-06550-00	SCREW PAN HEAD (92503-06050)	1	
16	95701-06300-00	NUT, NYLON	1	
17	92901-06600-00	WASHER	2	
18	90468-10017-00	CLIP (821-26391-00)	1	
19	861-82361-00-00	CLAMP, CORD	1	
20	90468-15020-00	CLIP	2	

Property of www.SmallEngineDiscount.com - Not for Resale

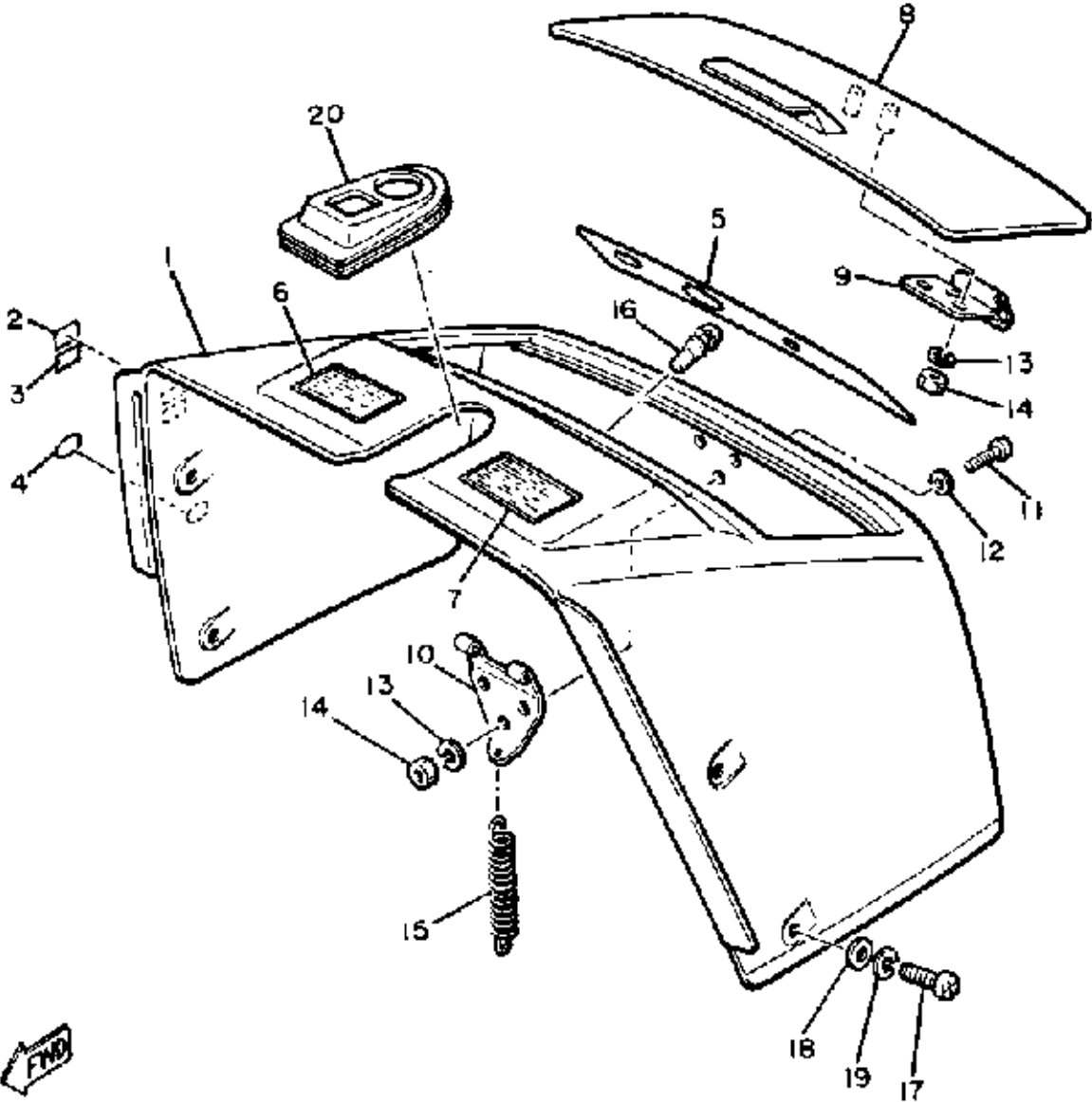
INSTRUMENT PANEL ET250D



Ref. No.	Part Number	Description	Qty	Remarks
1	8G5-77711-00-00	PANEL, INSTRUMENT	1	
2	8F3-77712-00-00	PANEL, INSTRUMENT	1	
3	8F3-77726-01-00	HINGE 1	1	
4	8F3-77727-00-00	HINGE 2	1	
5	98580-05012-00	SCREW, PAN HEAD	3	
6	92901-05600-00	WASHER, PLATE	3	
7	92990-05100-00	WASHER, SPRING	5	
8	95380-05600-00	NUT	5	
9	90506-10090-00	SPRING, TENSION	1	
10	(811-77461-00-00)	DAMPER 1	2	
11	8F3-77766-00-00	LABEL, WARNING 6	1	
12	8A1-77743-00-00	INDICATOR 3	1	
13	878-77744-00-00	INDICATOR 4	1	
14	8A1-77744-00-00	INDICATOR 4	1	
15	8J5-77741-00-00	INDICATOR 1	1	
16	8L2-77767-00-00	LABEL, WARNING 7	1	
17	98506-06014-00	SCREW, PAN HEAD (92506-06014)	4	
18	90201-06057-00	WASHER, PLATE	4	
19	92906-06100-00	WASHER, SPRING	4	
20	8F3-77746-00-00	GROMMET	1	

Property of www.SmallEngineDiscount.com - Not for Resale

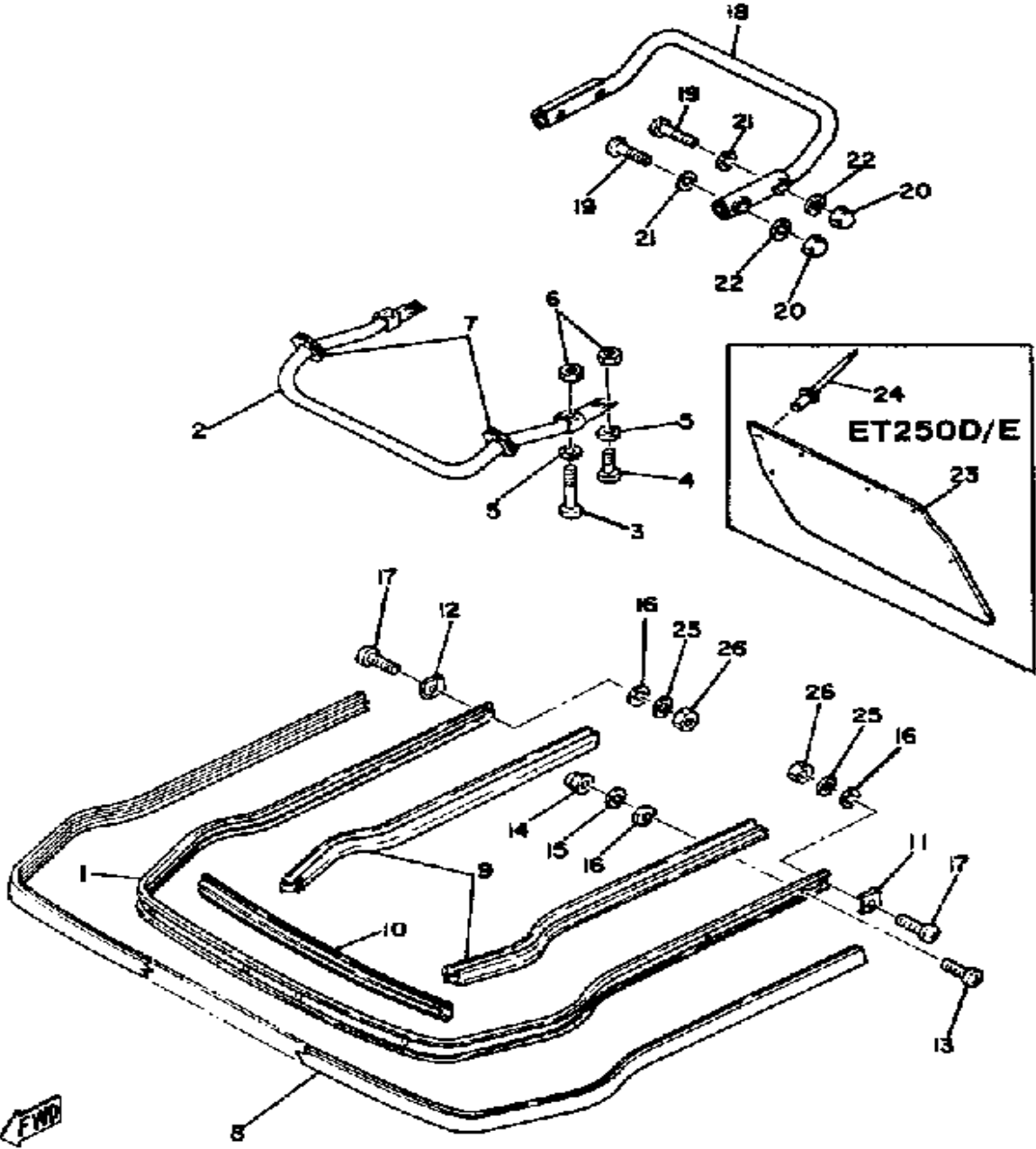
INSTRUMENT PANEL ET250E



Ref. No.	Part Number	Description	Qty	Remarks
1	8G5-77711-00-00	PANEL, INSTRUMENT	1	
2	8A1-77743-00-00	INDICATOR 3	1	
3	878-77744-00-00	INDICATOR 4	1	
4	8A1-77744-00-00	INDICATOR 4	1	
5	(8L2-77741-00-00)	INDICATOR 1	1	
6	8L2-77767-00-00	LABEL, WARNING 7	1	
7	(8L2-24153-00-00)	INDICATOR, COCK	1	
8	8F3-77712-00-00	PANEL, INSTRUMENT	1	
9	8F3-77726-01-00	HINGE 1	1	
10	8F3-77726-00-00	UNAVAILABLE IN PRICE BOOK	1	
11	98580-05012-00	SCREW, PAN HEAD	3	
12	92901-05600-00	WASHER, PLATE	3	
13	92990-05100-00	WASHER, SPRING	5	
14	95380-05600-00	NUT	5	
15	90506-10090-00	SPRING, TENSION	1	
16	(811-77461-00-00)	DAMPER 1	2	
17	98506-06014-00	SCREW, PAN HEAD (92506-06014)	4	
18	90201-06057-00	WASHER, PLATE	4	
19	92906-06100-00	WASHER, SPRING	4	
20	8F3-77746-00-00	GROMMET	1	

Property of www.SmallEngineDiscount.com - Not for Resale

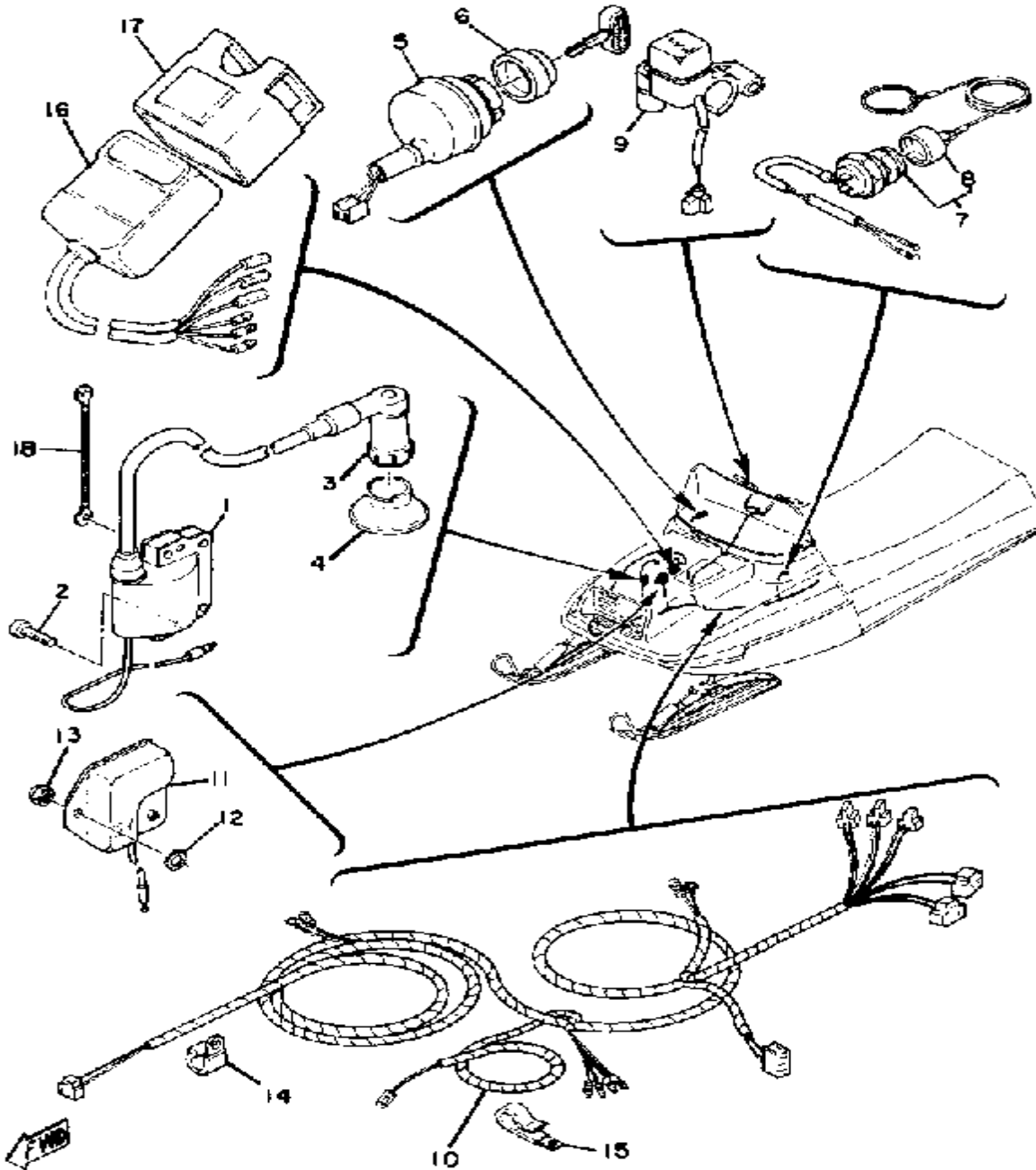
BUMPER ET250C - D - E



Ref. No.	Part Number	Description	Qty	Remarks
1	8H4-77511-00-00	BUMPER, FRONT 1	1	
2	8G5-77513-00-00	BUMPER, FRONT 3	1	
3	98901-08040-00	SCREW, BIND	2	
4	98903-08020-00	SCREW, BIND (98901-08020)	2	
5	92990-08200-00	WASHER, PLAIN	4	
6	95712-08300-00	NUT, LOCK	4	
7	90480-61227-00	GROMMET	2	
8	8G5-77514-01-00	BUMPER, FRONT 4	1	
9	8H4-77515-00-00	BUSH, RUBBER 1	2	
10	8H4-77516-00-00	BUSH, RUBBER 2	1	
11	8F3-77523-00-00	END, BUMPER	1	
12	8F3-77524-00-00	END, BUMPER	1	
13	98780-06025-00	SCREW, FLAT HEAD	12	
14	95380-06600-00	NUT	12	
15	92995-06100-00	WASHER, SPRING	12	
16	90201-06M08-00	WASHER, PLATE	14	
17	98903-06035-00	SCREW, BIND	2	
18	8F3-77541-01-00	BUMPER, REAR 1	1	
19	98901-08035-00	SCREW, BIND	4	
20	95303-08800-00	NUT (CROWN) (95301-08800)	4	
21	92990-08200-00	WASHER, PLAIN	4	
22	92990-08100-00	WASHER	4	
23	8F2-77595-00-00	FLAP	1	
24	90267-48086-00	RIVET, BLIND	5	
25	92995-06100-00	WASHER, SPRING	2	
26	95380-06600-00	NUT	2	

Property of www.SmallEngineDiscount.com - Not for Resale

ELECTRICAL ET250C

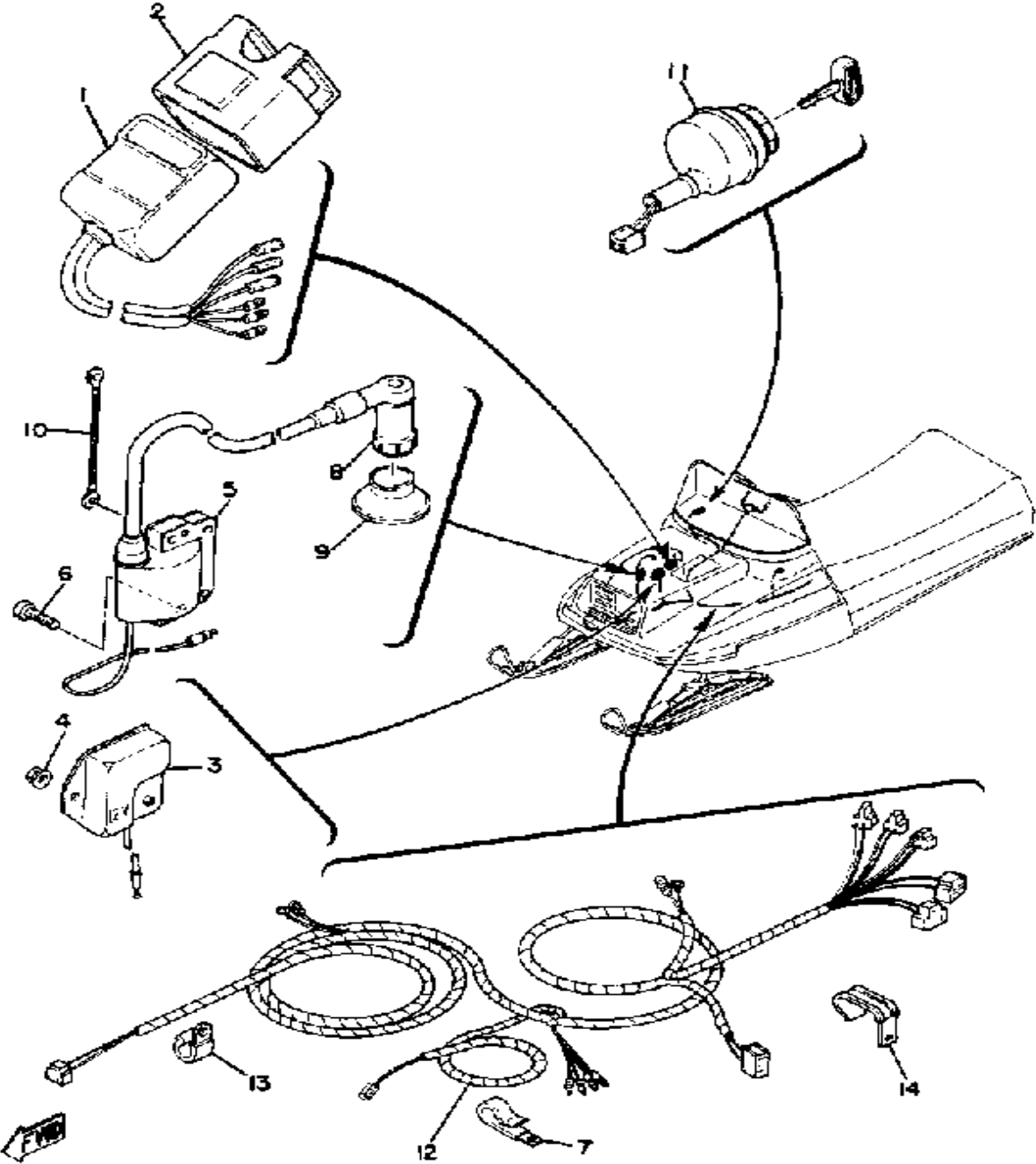


Ref. No.	Part Number	Description	Qty	Remarks
1	8H4-82310-20-00	IGNITION COIL ASSEMBLY ...	1	
2	98511-06025-00	SCREW PAN HEAD (92501-06025)	2	
3	8E7-82370-11-00	PLUG CAP ASSEMBLY	1	
4	8G8-82372-00-00	SEAL, PLUG CAP	1	
5	8F3-82508-20-00	MAIN SWITCH ASSEMBLY ...	1	
6	806-82516-00-00	COLLAR, MAIN SWITCH	1	
7	8H8-82550-01-00	ENGINE STOP SWITCH ASSEMBLY	1	
8	8H8-82552-09-00	. CAP, SWITCH	1	
9	8E3-83976-01-00	SWITCH, HANDLE 1	1	
10	8H4-82590-20-00	WIRE HARNESS ASSEMBLY ..	1	
11	82F-81910-A0-00	VOLTAGE REGULATOR ASSEMBLY	1	
12	92901-06400-00	WASHER, EX.TOOTH	2	
13	95701-06300-00	NUT, NYLON	2	
14	90465-08028-00	CLAMP	2	
15	90465-06038-00	CLAMP	2	
16	8H4-85540-20-00	CDI UNIT ASSEMBLY	1	
17	2A7-85546-00-00	BAND	1	
18	(8H4-82318-00-00)	WIRE, SUB-LEAD	1	

Property of www.SmallEngineDiscount.com - Not for Resale

H7

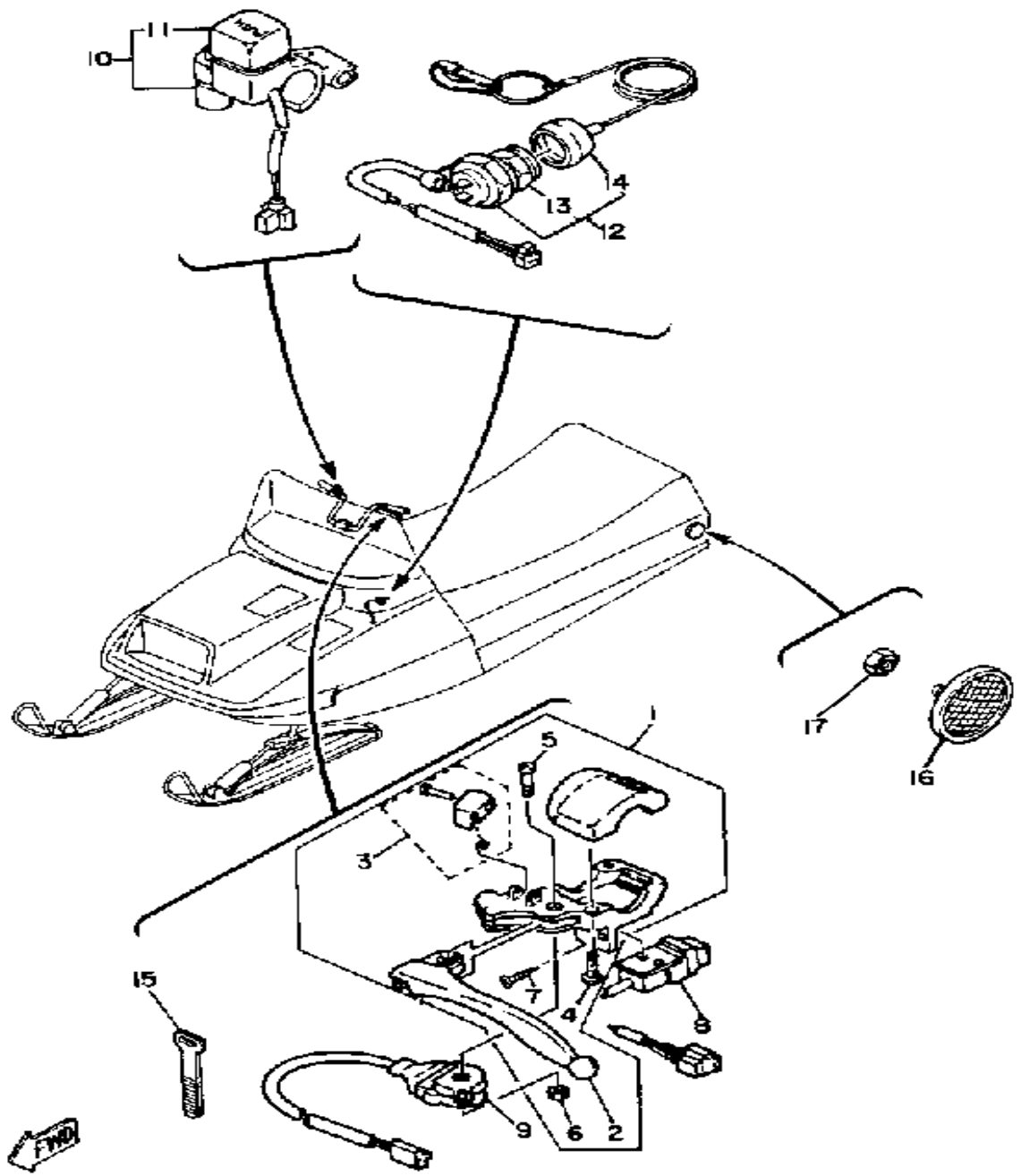
ELECTRICAL 1 ET250D - E



Ref. No.	Part Number	Description	Qty	Remarks
1	8H4-85540-20-00	CDI UNIT ASSEMBLY	1	
2	2A7-85546-00-00	BAND	1	
3	82F-81910-A0-00	VOLTAGE REGULATOR ASSEMBLY	1	
4	95701-06300-00	NUT, NYLON	2	
5	8H4-82310-20-00	IGNITION COIL ASSEMBLY	1	
6	98511-06025-00	SCREW PAN HEAD (92501-06025)	2	
7	90465-06038-00	CLAMP	2	
8	8E7-82370-11-00	PLUG CAP ASSEMBLY	1	W/NOISE SUPPRESSOR
9	8G8-82372-00-00	SEAL, PLUG CAP	1	
10	(8H4-82318-00-00)	WIRE, SUB-LEAD	1	
11	8R4-82508-20-00	MAIN SWITCH ASSEMBLY	1	
12	(8J5-82590-20-00)	WIRE HARNESS ASSEMBLY	1	
13	90465-08028-00	CLAMP	2	
14	90465-06013-00	CLAMP	2	

Property of www.SmallEngineDiscount.com - Not for Resale

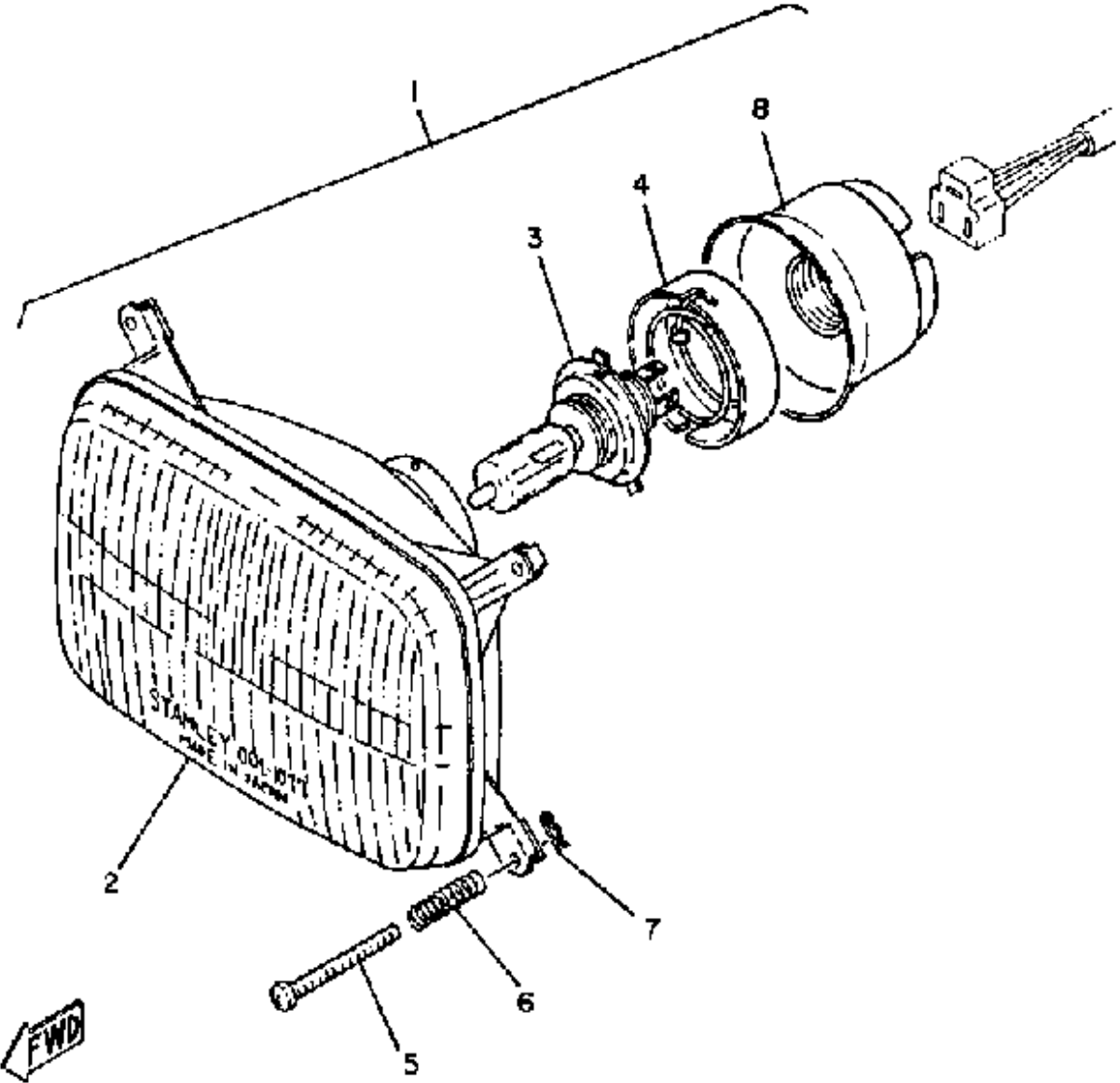
ELECTRICAL 2 ET250D - E



Ref. No.	Part Number	Description	Qty	Remarks
1	8E3-W8291-01-00	LEVER HOLDER ASSEMBLY (LEFT)	1	
2	803-83912-00-38	. LEVER 1	1	CLEAR BUFFING
3	8E3-83930-00-00	. LEVER LOCK ASSEMBLY	1	
4	98501-05018-00	. SCREW, PAN HEAD	2	
5	98580-05540-00	. SCREW, PAN HEAD	1	
6	95701-05300-00	. NUT, NYLON	1	
7	97780-30312-00	. SCREW, tapping	1	
8	8H8-83950-01-00	BEAM SWITCH ASSEMBLY (8K4-83950-01-00)	1	
9	8R4-82530-00-00	STOP SWITCH ASSEMBLY	1	
10	8E3-83976-01-00	SWITCH, HANDLE 1	1	
11	8E3-83956-01-00	. CAP 1	1	
12	8H8-82550-01-00	ENGINE STOP SWITCH ASSEMBLY	1	
13	8H8-82557-00-00	. NUT	1	
14	8H8-82552-09-00	. CAP, SWITCH	1	
15	437-83936-01-00	BAND, SWITCH CORD	4	
16	449-85131-02-00	REFLECTOR, REAR 1	2	
17	90185-05084-00	NUT, FLANGE	2	

Property of www.SmallEngineDiscount.com - Not for Resale

HEADLIGHT ET250C - D - E

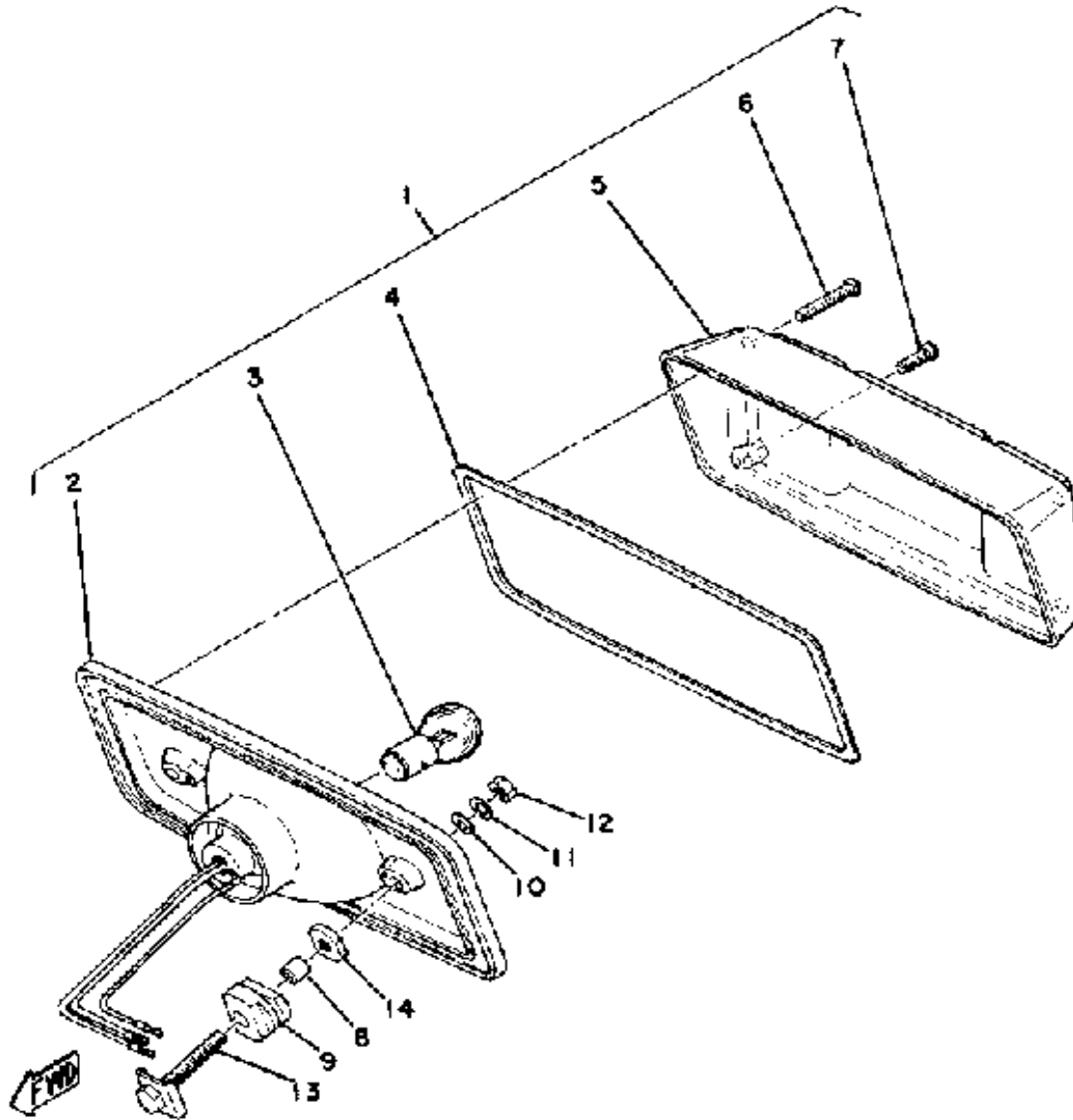


Ref. No.	Part Number	Description	Qty	Remarks
1	8A7-84310-81-00	HEADLIGHT UNIT ASSEMBLY	1	
2	8A7-84320-00-00	. LENS ASSEMBLY	1	
3	8A7-84314-00-00	. BULB (12V-60/60W)	1	
4	8A7-84312-00-00	. HOLDER, SOCKET	1	
5	8M6-84331-00-00	. SCREW, RIM ADJUSTING (8A5-84331-00-00)	4	
6	8A5-84332-00-00	. SPRING, SCREW	4	
7	8K4-84374-00-00	. CLIP	4	
8	8A7-84397-01-00	. COVER, SOCKET	1	

Property of www.SmallEngineDiscount.com - Not for Resale

H10

TAIL LAMP ET250C

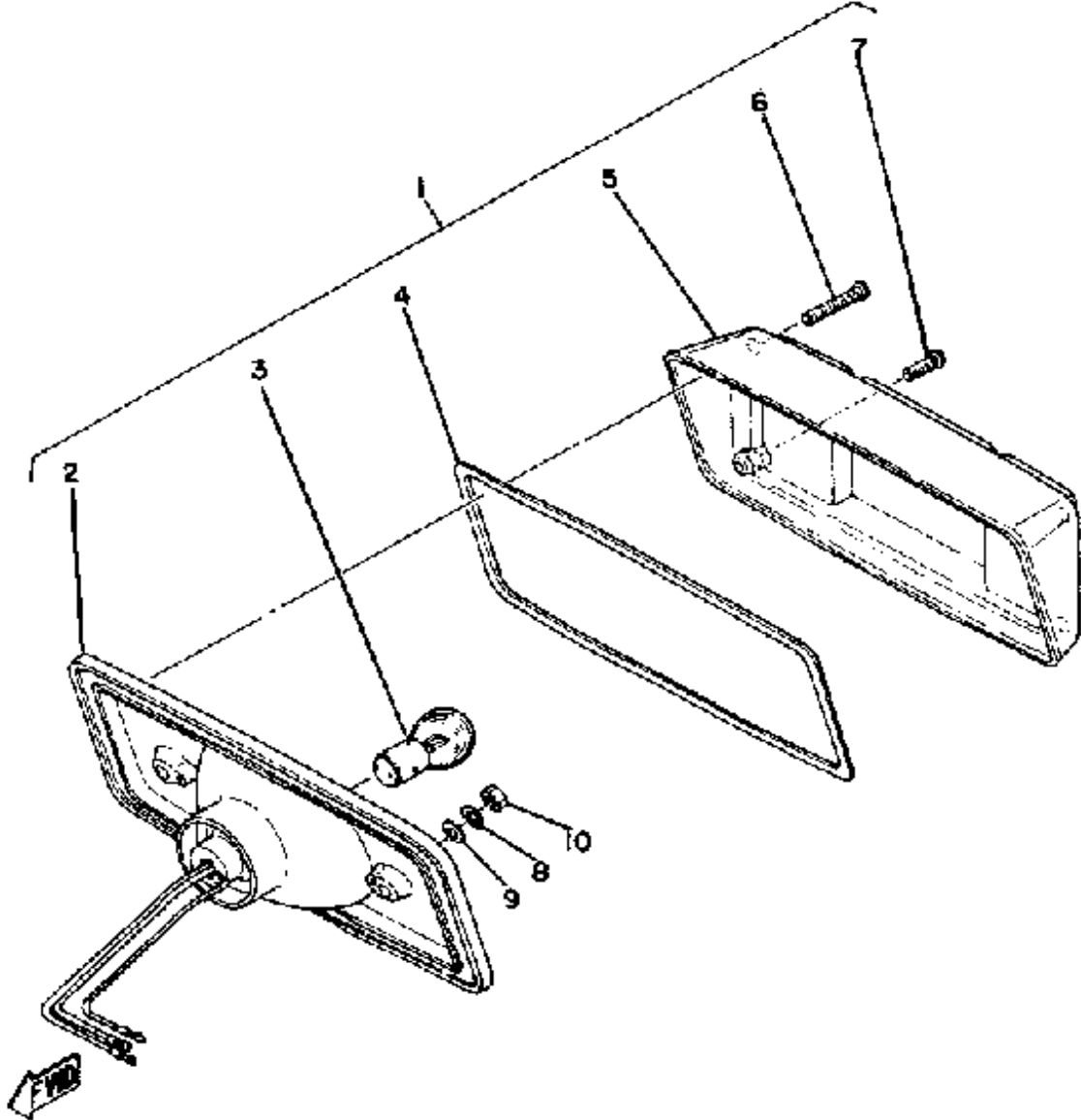


Ref. No.	Part Number	Description	Qty	Remarks
1	8A1-84710-00-00	TAILLIGHT UNIT ASSEMBLY ..	1	
2	8A1-84710-00-00	. TAILLIGHT UNIT ASSEMBLY .	1	
3	137-84714-61-00	. BULB, TL 12V23/8W (J50-83311-00)	1	
4	821-84712-00-00	. SEAT, BASE	1	
5	821-84721-00-00	. LENS, TAILLIGHT	1	
6	98511-04030-00	. SCREW, PAN HEAD	2	
7	98503-04014-00	. SCREW, PAN HEAD	2	
8	90387-074W0-00	COLLAR	2	
9	90480-10187-00	GROMMET	2	
10	92901-06600-00	WASHER	2	
11	92995-06100-00	WASHER, SPRING	2	
12	95380-06600-00	NUT	2	
13	90109-06428-00	BOLT	2	
14	90179-06209-00	NUT, SPEC'L SHAPE	2	

Property of www.SmallEngineDiscount.com - Not for Resale

H11

TAILLIGHT ET250D - E

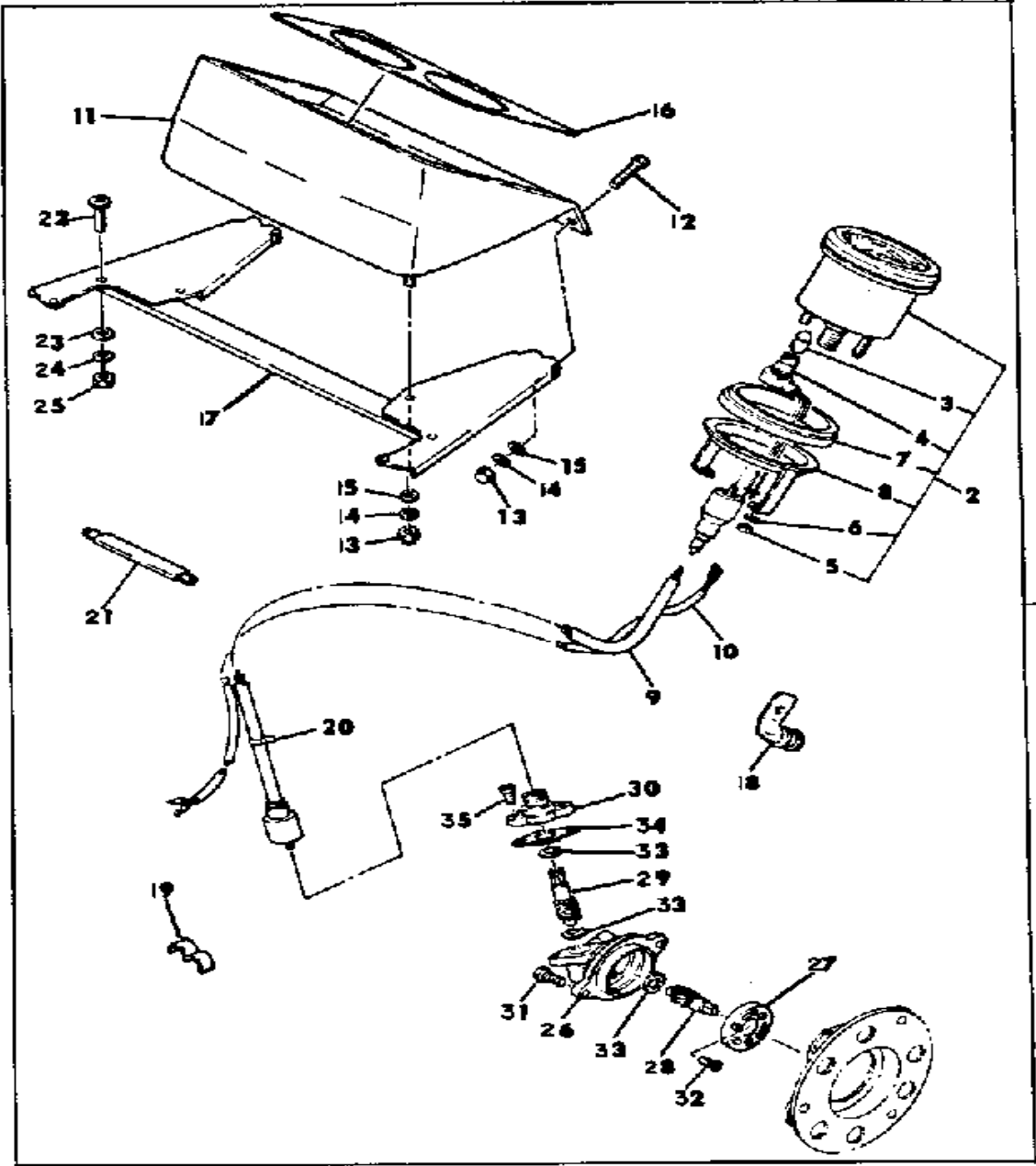


Ref. No.	Part Number	Description	Qty	Remarks
1	8A1-84710-00-00	TAILLIGHT UNIT ASSEMBLY ..	1	
2	8A1-84710-00-00	. TAILLIGHT UNIT ASSEMBLY .	1	
3	137-84714-61-00	. BULB, TL 12V23/8W (J50-83311-00)	1	
4	821-84712-00-00	. SEAT, BASE	1	
5	821-84721-00-00	LENS, TAILLIGHT	1	
6	98511-04030-00	. SCREW, PAN HEAD	2	
7	98503-04014-00	. SCREW, PAN HEAD	2	
8	92901-06600-00	WASHER	2	
9	92995-06100-00	WASHER, SPRING	2	
10	95380-06600-00	NUT	2	

Property of www.SmallEngineDiscount.com - Not for Resale

H12

SPEEDOMETER KIT ET250C - D - E

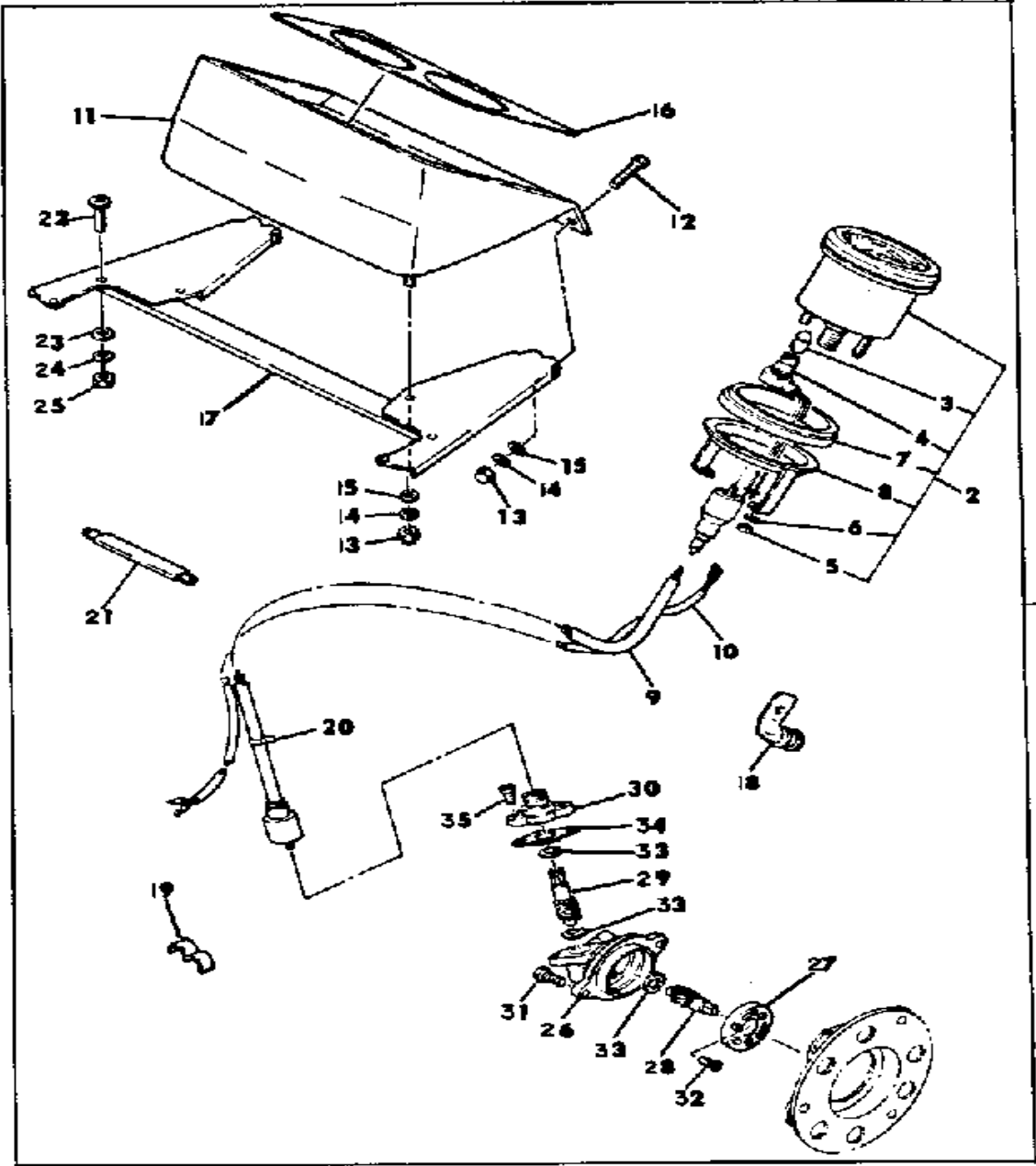


Ref. No.	Part Number	Description	Qty	Remarks
1	(ACC-01200-69-00)	SPEEDO ET250BCD	1	
2	8G6-83510-21-00	. SPEEDOMETER ASSEMBLY	1	
3	123-83516-21-00	.. BULB (12V-3.4W)	1	
4	(861-83536-40-00)	SOCKET, METER	1	
5	95380-05600-00	.. NUT	2	
6	92990-05100-00	.. WASHER, SPRING	2	
7	8G6-83523-00-00	.. DAMPER	1	
8	8G6-83519-00-00	.. BRACKET, METER	1	
9	(8G5-83560-01-00)	TACHOMETER CABLE	1	
10	8H4-83553-00-00	. WIRE, LEAD	1	
11	8G5-83611-00-00	. PANEL, METER	1	
12	98906-05020-00	. SCREW, BIND	2	
13	95380-05600-00	. NUT	4	
14	92990-05100-00	. WASHER, SPRING	4	
15	92990-05200-00	. WASHER, PLAIN	4	
16	8G6-83612-00-00	. COVER, METER PANEL	1	
17	8G5-83631-00-00	. BRACKET, PANEL 1	1	
18	90465-08028-00	. CLAMP	1	
19	861-82361-00-00	. CLAMP, CORD	1	
20	25G-83936-01-00	. BAND, SWITCH CORD	1	
21	90465-05128-00	. CLAMP	1	
22	98901-05016-00	. SCREW, BIND (98903-05016-00)	2	
23	92990-05200-00	. WASHER, PLAIN	2	
24	92990-05100-00	. WASHER, SPRING	2	
25	95380-05600-00	. NUT	2	
26	8E6-47711-10-00	. HOUSING	1	
27	853-47712-10-00	. JOURNAL	1	
28	810-47731-11-00	. GEAR, DRIVE	1	

CONTINUED ON NEXT FRAME ➤

Property of www.SmallEngineDiscount.com - Not for Resale

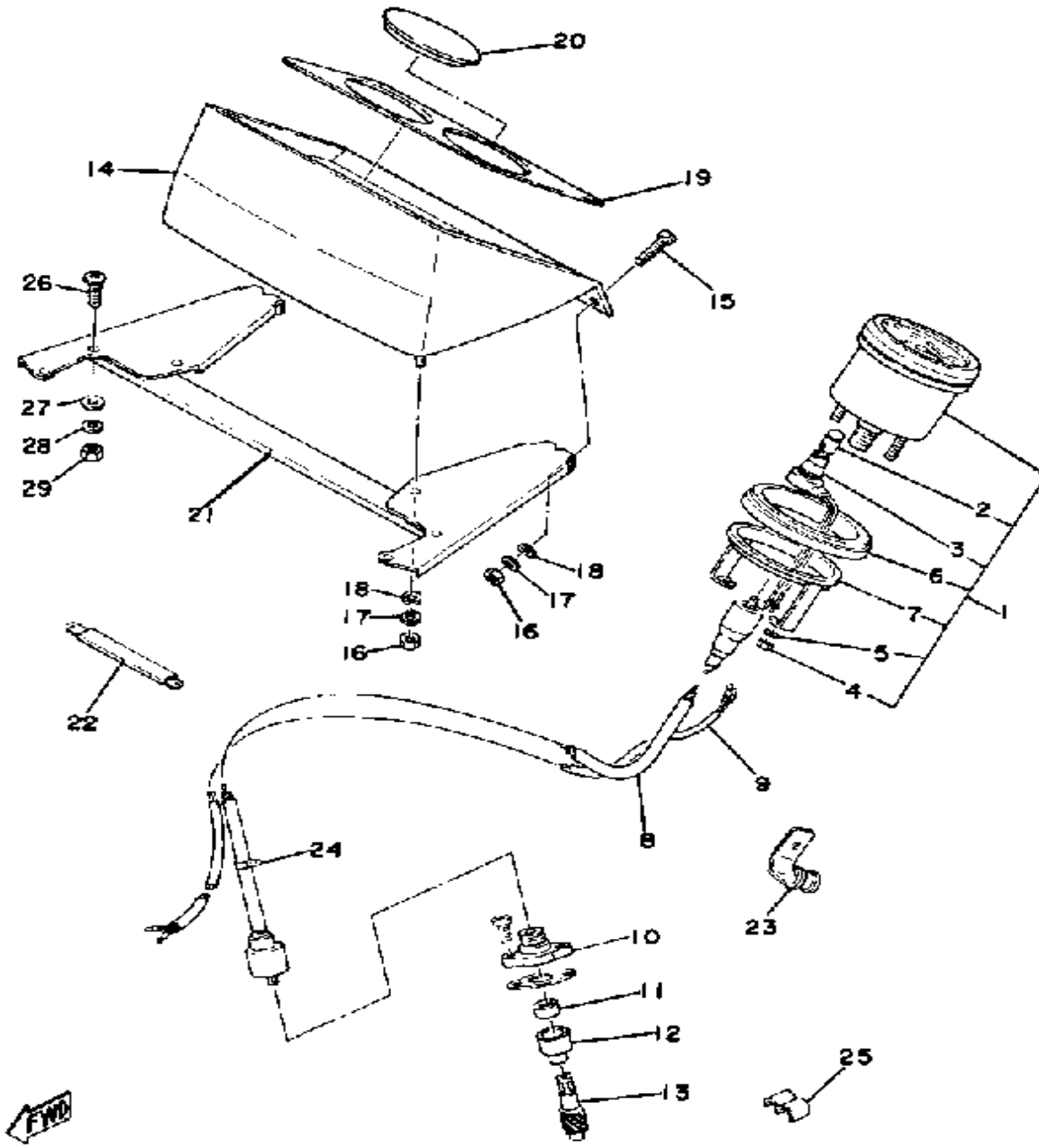
SPEEDOMETER KIT ET250C - D - E



Ref. No.	Part Number	Description	Qty	Remarks
29	810-47741-11-00	. GEAR, DRIVEN (810-47741-10)	1	
30	8E3-47721-10-00	. COVER, HOUSING	1	
31	97313-06016-00	. BOLT, HEXAGON	2	
32	98701-04012-00	. SCREW, FLAT HEAD	3	
33	810-47717-10-00	. SHIM	3	
34	810-47727-10-00	. GASKET	1	
35	98580-05012-00	SCREW, PAN HEAD	2	

Property of www.SmallEngineDiscount.com - Not for Resale

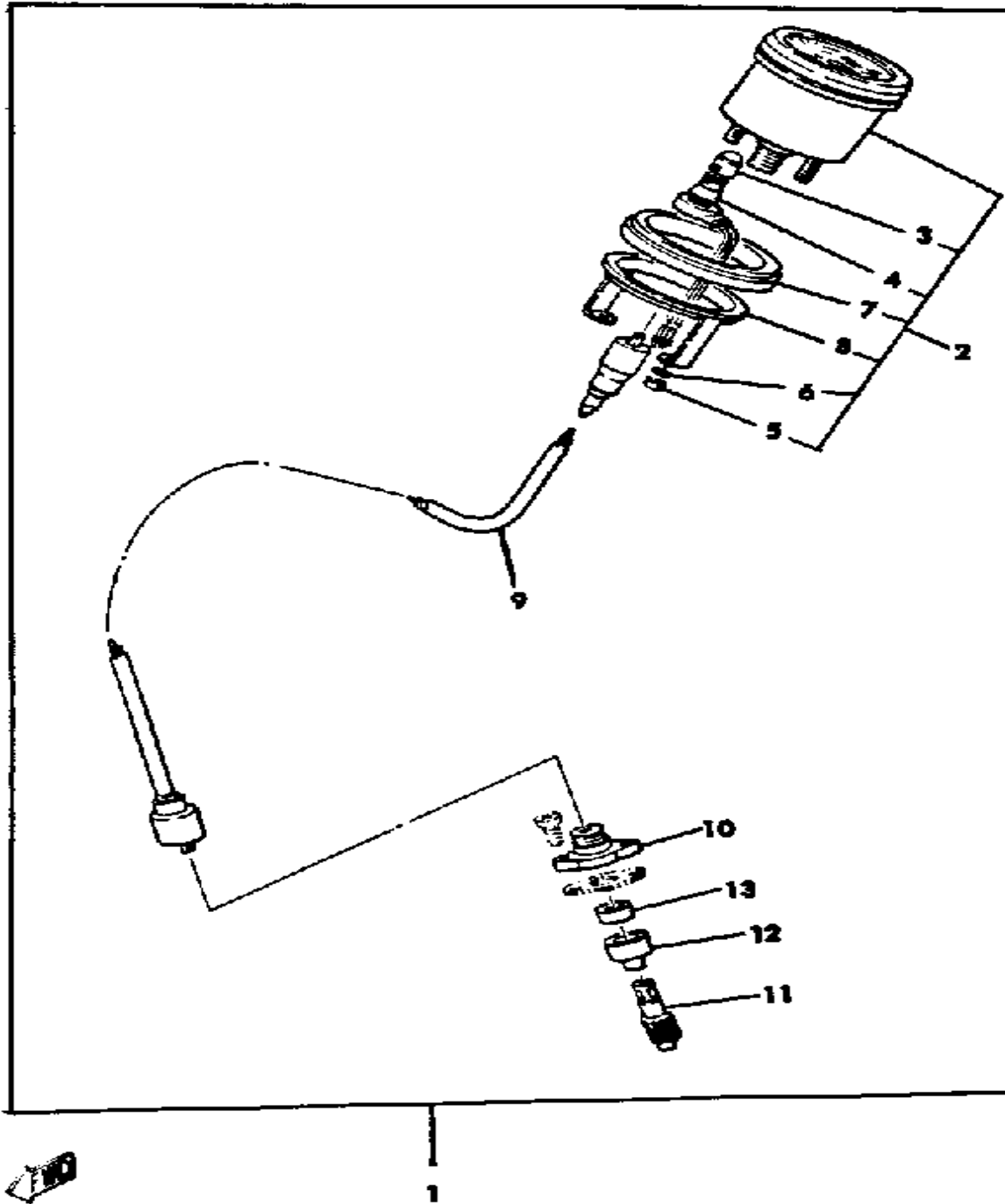
TACHOMETER UNIT ET250C



Ref. No.	Part Number	Description	Qty	Remarks
1	8R5-83540-00-00	TACHOMETER ASSEMBLY ...	1	
2	123-83516-21-00	. BULB (12V-3.4W)	1	
3	(861-83536-40-00)	SOCKET, METER	1	
4	95380-05600-00	. NUT	2	
5	92990-05100-00	. WASHER, SPRING	2	
6	8G6-83523-00-00	. DAMPER	1	
7	8G6-83519-00-00	. BRACKET, METER	1	
8	8H4-83560-00-00	METER CABLE ASSEMBLY ...	1	
9	8H4-83553-00-00	WIRE, LEAD	1	
10	821-17819-00-00	CAP, HOUSING	1	
11	93104-06033-00	OIL SEAL	1	
12	821-17843-00-00	BUSH, DRIVEN GEAR OUTER .	1	
13	813-17841-00-00	GEAR, DRIVEN (10T)	1	
14	8G5-83611-00-00	PANEL, METER	1	
15	98906-05020-00	SCREW, BIND	2	
16	95380-05600-00	NUT	4	
17	92990-05100-00	WASHER, SPRING	4	
18	92990-05200-00	WASHER, PLAIN	4	
19	8G6-83612-00-00	COVER, METER PANEL	1	
20	8G5-83559-01-00	COVER, METER	1	
21	8G5-83631-00-00	BRACKET, PANEL 1	1	
22	90465-05128-00	CLAMP	1	
23	90465-06013-00	CLAMP	1	
24	25G-83936-01-00	BAND, SWITCH CORD	1	
25	861-82361-00-00	CLAMP, CORD	1	
26	98901-05016-00	SCREW, BIND (98903-05016-00)	2	
27	92990-05200-00	WASHER, PLAIN	2	
28	92990-05100-00	WASHER, SPRING	2	
29	95380-05600-00	NUT	2	

Property of www.SmallEngineDiscount.com - Not for Resale

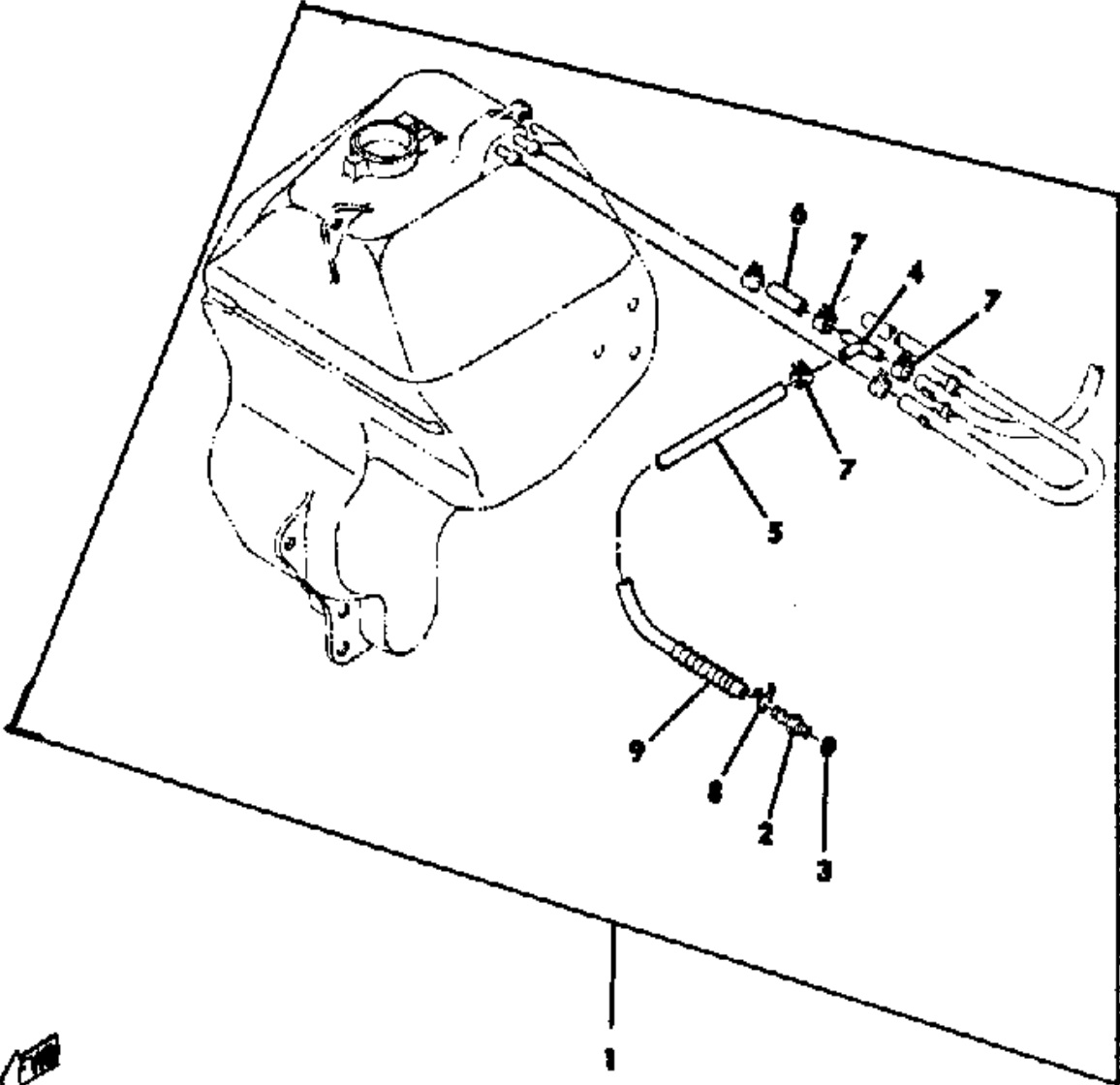
TACHOMETER ET250D - E



Ref. No.	Part Number	Description	Qty	Remarks
1	(ACC-01200-70-00)	TACH ET250BCD	1	
2	8R5-83540-00-00	. TACHOMETER ASSEMBLY ..	1	
3	123-83516-21-00	. BULB (12V-3.4W)	1	
4	(861-83536-40-00)	SOCKET, METER	1	
5	95380-05600-00	.. NUT	2	
6	92990-05100-00	.. WASHER, SPRING	2	
7	8G6-83523-00-00	.. DAMPER	1	
8	8G6-83519-00-00	.. BRACKET, METER	1	
9	8H4-83560-00-00	. METER CABLE ASSEMBLY ..	1	
10	821-17819-00-00	. CAP, HOUSING	1	
11	813-17841-00-00	. GEAR, DRIVEN (10T)	1	
12	821-17843-00-00	. BUSH, DRIVEN GEAR OUTER	1	
13	93104-06033-00	. OIL SEAL	1	

Property of www.SmallEngineDiscount.com - Not for Resale

FUEL RETURN KIT ET250C - E



Ref. No.	Part Number	Description	Qty	Remarks
1	(8G5-00000-10-00)	FUEL RETURN KIT	1	
2	8G5-14350-00-00	. PIPE ADAPTOR ASSEMBLY .	1	
3	810-14597-00-00	. WASHER	1	
4	867-24461-00-00	. PIPE, JOINT	1	
5	90446-09059-00	. HOSE	1	
6	90446-09065-00	. HOSE	1	
7	90467-09026-00	. CLIP	3	
8	90467-08017-00	. CLIP	1	
9	8G5-24328-00-00	. PROTECTOR, PIPE	1	

Property of www.SmallEngineDiscount.com - Not for Resale

ET250E

1981 SERVICE/HIGH ALTITUDE TUNING DATA

This bulletin replaces S80-004.
Please remove and destroy bulletin S80-004. Δ Denotes a change from the original bulletin.

MODEL - IBM I.D. NUMBER	ET250E	8L2
Starting Engine and Frame Number	S246-055101 / 8L2-055101	
Dry Vehicle Weight	141 kg (311 lbs.)	
ENGINE - Type / Induction System	2-Stroke, 5-Port, Piston Port, Forced Air-Cooled	
Bore x Stroke x Cylinders / Displacement	73mm x 59mm x 1 / 246cc	
Compression Ratio	6.6:1	
Piston Skirt Clearance (New/Max)	0.045 mm ~ 0.050mm / 0.1mm	
Ring End Gap (Top/2nd)	0.3 ~ 0.5mm / 0.35 ~ 0.5mm	
Ring Groove Clearance (Top/2nd)	0.03 ~ 0.05mm / 0.03 ~ 0.05mm	
Coolant Type / Mixing Ratio	∅ / ∅	
CARBURETOR - Mfr. / Type / I.D. Number	Keihin / CDX38-32 / 8G501	
Quantity / Venturi Size (Measured/Effective)	1 / 38mm / 32mm	
Main Jet / Main Air Jet	138 / ∅	
Partial Jet / Slow Jet / Slow Air Jet / Air Screw	38 / 50 / ∅ / 2.0 Turns out	
Pilot Jet / Pilot Screw	∅ / ∅	
Needle Jet/Jet Needle-Clip Position/Cutaway/Air Jet	∅ / ∅ / ∅ / ∅	
Power Jet / Power Air Jet	∅ / ∅	
Fuel Inlet Valve / Float Level / Fuel Level	130 / ∅ / 5 ± 3.5mm	
Idle Speed	1300 rpm	
AUTOLUBE - Pump Color / Control Rod Adj.	Green / Full Throttle; Lever and Match Mark	
Pump Plunger Stroke (Min) (Max)	0.20mm ~ 0.25mm / 1.85 ~ 2.05mm	
Output @ 200 Strokes (Full Throttle/Idle)	N/A	
DRIVE - Type	V-Belt Automatic	
Engagement rpm / Shift rpm	Δ 3500 rpm / 6400 rpm	
Belt Length / Width / Wear Limit / IBM Number	1099mm / 31.6mm / 26mm / 820	
Primary Ratio(s)	3.5:1 ~ 1:1	
Sheave Center to Center / Offset	266 ± 2mm / 11 ± 1mm	
Primary Spring Color / Length / Rate	Δ Blue / 68.2mm / 3.0 ± 0.2 kg/mm	
Secondary Spring Pre-Load/Part Number/Color	160° / 90508-40080-00 / None	
Secondary Drive Ratio/Chain Pitch-Type/Free Play	1.692 (22-13) / 12.7mm - No. 40K-1 / 10mm ±,mm	
Track (Width) / Tension	381mm / 25-30mm @ 10 kg	
CAPACITIES - Chain Case / Quantity / Type	450cc / SAE 75 ~ 80, API GL-3	
Fuel Tank / Quantity / Grade	18 Lit. (4.8 Gal.) / Regular	
Autolube Tank / Quantity / Type	2.2 Lit. (2.3 Qts.) / Yamalube 2	
ELECTRICAL - Mfr. / Type	Mitsubishi / CDI	
Battery: Model / Spec Gravity / Charge Rate	∅	
Lighting Output at Full Load	12V 100W	
Headlight / Taillight / Instrument Ratings	12V60-60W / 12V23-8W / ∅	
Lighting Coil Resistance	Yel ~ Blk / 0.19 Ω ± 10%	
Ignition Source Coil Resistance (Charge Coil)	Brn ~ Blk / 350 Ω ± 10% Blu ~ Blk / 15.0 Ω ± 10%	
Pulse Coil Resistance	Wht-Red ~ Blk / 9.0 Ω ± 10%	
Ignition Coil Resistance Primary / Secondary	1.0 Ω ± 10% / 5.9K Ω ± 20%	
Spark Plug Type / Gap / Torque	NGK B8HS / 0.6mm / 2.7 m·kg	
Timing (BTDC)	1.2 ± 0.1mm	

∅ = Does Not Apply To This Model

N/A = Information Not Available

SERVICE COPY	SER MGR	MECH	MECH	MECH	BINDER
OFFICE COPY	GEN MGR	SALES	PARTS	BINDER	PAGE 1 OF 2

1981 ET250E HIGH ALTITUDE SPECIFICATIONS

	STANDARD SETTING	HIGH ALTITUDE
Idle	1300 rpm	1300 rpm
Clutch Engagement	3500 rpm	4000 rpm
Shift speed	6400 rpm	6800 rpm
Main Jet	#138	See "Setting Chart"
Slow Jet	# 50	#55
Partial Jet	# 38	#45
Low Speed Mixture Screw	Δ2.0 Turns	2.0 Turns
Gear Reduction	13/22	11/24
Primary Spring	90501-55559-00	90501-55485-00

NOTE:

1. Install carburetor fuel return line. See bulletin S7-004.
2. Remove the four large plate washers, P/Ns 90201-06726-00 and 90201-06727-00, from the weight arm.
3. Always replace the weight bolt with a shorter one, P/N 90101-06348-00, when the plate washers have been removed.

MAIN JET SETTING CHART

Elevation	Temperature	-30°C	-20°C	-10°C	0°C	10°C	20°C
		(-22°F)	(-4°F)	(14°F)	(32°F)	(50°F)	(68°F)
Sea Level		#138					#130
600m (2000 ft.)		#138					#130
1200m (4000 ft.)		#138					#130
1800m (6000 ft.)		#138					#125
2400m (8000 ft.)		#138		#130			#125
3000m (10,000 ft.)		#130					#120
		#125					

1981 ET250E ALTERNATE PARTS LIST

MAIN JET SIZE	PART NUMBER
#138	845-14516-38-00*
#135	845-14516-35-00
#130	845-14516-30-00
#125	845-14516-25-00
#120	845-14516-20-00
#115	845-14516-15-00

SLOW JET SIZE	PART NUMBER
# 58	865-14515-58-00
# 55	865-14515-55-00
# 52	865-14515-52-00
# 50	865-14515-50-00*

PARTIAL JET SIZE	PART NUMBER
# 45	865-14515-45-00
# 42	865-14515-42-00
# 40	865-14515-40-00
# 38	865-14515-38-00*

GEARING	PART NUMBER
13 T	812-17682-30-00*
11 T	812-17682-10-00
24 T	8F3-47548-40-00
22 T	8F3-47548-20-00*

*Standard

Property of www.SmallEngineDiscount.com - Not for Resale

ET250D 1980 SERVICE DATA

SNOWMOBILE
S79-009

MODEL — IBM I.D. NUMBER	ET250D	8J5
Starting Engine and Frame Number	S246-038101 / 8J5-038101	
Dry Vehicle Weight	141 kg (311 lbs.)	
ENGINE — Type / Induction System	2-Stroke, 5-Port, Piston Port, Forced Air-Cooled	
Bore x Stroke x Cylinders / Displacement	73 x 59 x 1 / 246cc	
Compression Ratio	6.6: 1	
Piston Skirt Clearance (New/Max)	0.045mm ~ 0.050mm / 0.1mm	
Ring End Gap (Top/2nd)	0.3 ~ 0.5mm / 0.3 ~ 0.5mm	
Ring Groove Clearance (Top/2nd)	0.03 ~ 0.05mm / 0.03 ~ 0.05mm	
Coolant Type / Mixing Ratio	φ / φ	
CARBURETOR — Mfr. / Type / I.D. Number	Keihin / CDX38-32 / 8G501	
Quantity / Venturi Size (Measured/Effective)	1 / 38mm / 32mm	
Main Jet / Main Air Jet	138 / φ	
Partial Jet / Slow Jet / Slow Air Jet / Air Screw	38 / 50 / φ / 2.0	
Pilot Jet / Pilot Screw	φ / φ	
Needle Jet/Jet Needle-Clip Position/Cutaway/Air Jet	φ / φ / φ / φ	
Power Jet / Power Air Jet	φ / φ	
Fuel Inlet Valve / Float Level / Fuel Level	130 / φ / 5 ± 3.5mm	
Idle Speed	1300 rpm	
AUTOLUBE — Pump Color / Control Rod Adj.	Green / Full Throttle: Lever and Match Mark	
Pump Plunger Stroke (Min) (Max)	0.20mm ~ 0.25mm / 1.85 ~ 2.05mm	
Output @ 200 Strokes (Full Throttle/Idle)	N/A	
DRIVE — Type	V-Belt Automatic	
Primary Sheave Engagement rpm	3400 rpm ± 100 rpm	
Belt Length / Width / Wear Limit / IBM Number	1099mm / 31.6mm / 26mm / 820	
Primary Ratio(s)	3.5:1 ~ 1:1	
Sheave Center to Center / Offset	266 ± 2mm / 11 ± 1mm	
Primary Spring Color / Length / Rate	Blue / 68.2mm / 3.0 kg-mm	
Secondary Spring Pre-Load/Part Number/Color	160° / 90508-40080-00 / None	
Secondary Drive Ratio/Chain Pitch-Type/Freeplay	1.692 (22-13) / 12.7mm No. 40K-1 / 10mm ⁺⁵ / ₋₂ mm	
Track (Width) / Tension	381mm / 25-30mm @ 10 kg	
CAPACITIES — Chain Case / Quantity / Type	450cc / SAE 75 ~ 80, API GL-3	
Fuel Tank / Quantity / Grade	18 Lit. (4.8 Gal.) / Regular	
Autolube Tank / Quantity / Type	2.2 Lit. (2.3 Qts.) / Yamalube 2	
ELECTRICAL — Mfr. / Type	Mitsubishi / CDI	
Battery: Model / Spec Gravity / Charge Rate	φ	
Lighting Output at Full Load	12V100W	
Headlight / Taillight / Instrument Ratings	12V60-60W / 12V23-8W / φ	
Lighting Coil Resistance	Yel ~ Blk / 0.19 Ω ± 10%	
Ignition Source Coil Resistance (Charge Coil)	Brn ~ Blk / 350 Ω ± 10% Blu ~ Blk / 15.0 Ω ± 10%	
Pulse Coil Resistance	Wht-Red ~ Blk / 9.0 Ω ± 10%	
Ignition Coil Resistance Primary / Secondary	1.0 Ω ± 10% / 5.9K Ω ± 20%	
Spark Plug Type / Gap / Torque	NGK B8HS / 0.6mm / 2.7 m-kg	
Timing (B.T.D.C.)*	1.2 ± 0.1mm*	

N/A = Information Not Available

*After Setting Statically, Check With Timing Light

φ = Does Not Apply To This Model

Service Copy: _____ Service Mgr. _____ Mechanic _____ Mechanic _____ Mechanic _____ Binder

Office Copy: _____ General Mgr. _____ Sales _____ Parts _____ Binder

©YAMAHA MOTOR CORPORATION, U.S.A. 1979 CYPRESS, CALIF.

June 25, 1979 PAGE 1 OF 1

ET250C 1979 SERVICE DATA

SNOWMOBILE
S8-004

MODEL — IBM I.D. NUMBER	ET250C	8H4
Starting Engine and Frame Number	S246-025101 / 8H4-025101	
Dry Vehicle Weight	140 kg (309 lbs.)	
ENGINE — Type / Induction System	2-Stroke, 5-Port, Piston Port, Forced Air-Cooled	
Bore x Stroke x Cylinders / Displacement	73 x 59 x 1 / 246cc	
Compression Ratio	6.6:1	
Piston Skirt Clearance (New/Max)	0.045 ~ 0.050mm / 0.1mm	
Ring End Gap (Top/2nd)	0.3 ~ 0.5mm / 0.3 ~ 0.5mm	
Ring Groove Clearance (Top/2nd)	0.03 ~ 0.05mm / 0.03 ~ 0.05mm	
Coolant Type / Mixing Ratio	φ / φ	
CARBURETOR — Mfr. / Type / I.D. Number	Keihin / CDX 38-32 / 8G500	
Quantity / Venturi Size (Measured/Effective)	1 / 38mm / 32mm	
Main Jet / Main Air Jet	138 / φ	
Partial Jet / Slow Jet / Slow Air Jet / Air Screw	38 / 50 / φ / 2.0	
Pilot Jet / Pilot Screw	φ / φ	
Needle Jet/Jet Needle-Clip Position/Cutaway/Air Jet	φ / φ / φ / φ	
Power Jet / Power Air Jet	φ / φ	
Fuel Inlet Valve / Float Level / Fuel Level	130 / φ / 5 ± 3.5mm	
Idle Speed	1300 rpm	
AUTOLUBE — Pump Color / Control Rod Adj.	Green / Full Throttle: Lever & Match Mark	
Pump Plunger Stroke (Min) (Max)	0.20 ~ 0.25mm / 1.85 ~ 2.05mm	
Output @ 200 Strokes (Full Throttle/Idle)	N/A	
DRIVE — Type	V-Belt Automatic	
Primary Sheave Engagement rpm	3500 rpm	
Belt Length / Width / Wear Limit / IBM Number	1099mm / 31.6mm / 26mm / 820	
Primary Ratio(s)	3.5:1 ~ 1:1	
Sheave Center to Center / Offset	270 ± 2mm / 11 ± 1mm	
Primary Spring Color / Length / Rate	None / 70.9mm / 3.18 kg/mm	
Secondary Spring Pre-Load/Part Number/Color	160° / 90508-40080-00 / None	
Secondary Drive Ratio/Chain Pitch-Type/Freeplay	1.692 (22-13) / No. 40K-1 / 10mm	
Track (Width) / Tension	380mm / 25-30mm @ 10 kg	
CAPACITIES — Chain Case / Quantity / Type	450cc / SAE 75 ~ 80, API GL-3	
Fuel Tank / Quantity / Grade	4.75 Gal. / Regular	
Autolube Tank / Quantity / Type	2.3 Qts. / Yamalube 2	
ELECTRICAL — Mfr. / Type	Mitsubishi / CDI	
Battery: Model / Spec Gravity / Charge Rate	φ	
Lighting Output at Full Load	12V-100W	
Headlight / Taillight / Instrument Ratings	12V60-60W / 12V23-8W / φ	
Lighting Coil Resistance	0.19 Ω ± 10%	
Ignition Source Coil Resistance (Charge Coil)	Brn ~ Blk / 350 Ω ± 10% Blu ~ Blk / 15.0 Ω ± 10%	
Pulse Coil Resistance	Wht-Red ~ Blk / 9.0 Ω ± 10%	
Ignition Coil Resistance Primary / Secondary	1.0 Ω ± 10% / 5.9K Ω ± 20%	
Spark Plug Type / Gap / Torque	NGK B8HS / 0.6mm / 2.7 m-kg	
Timing (B.T.D.C.)*	1.2 ± 0.1mm*	

N/A = Information Not Available

*After Setting Statically, Check With Timing Light

φ = Does Not Apply To This Model

Service Copy: _____ Service Mgr. _____ Mechanic _____ Mechanic _____ Mechanic _____ Binder

Office Copy: _____ General Mgr. _____ Sales _____ Parts _____ Binder

©YAMAHA MOTOR CORPORATION, U. S. A., BUENA PARK, CALIFORNIA

October 20, 1978 PAGE 1 OF 1

Property of www.SmallEngineDiscount.com - Not for Resale

K2

ET250C 1979 SERVICE DATA

MODEL — IBM I.D. NUMBER	ET250C	8H4
Starting Engine and Frame Number	S246-025101 / 8H4-025101	
Dry Vehicle Weight	140 kg (309 lbs.)	
ENGINE — Type / Induction System	2-Stroke, 5-Port, Piston Port, Forced Air-Cooled	
Bore x Stroke x Cylinders / Displacement	73 x 59 x 1 / 246cc	
Compression Ratio	6.6:1	
Piston Skirt Clearance (New/Max)	0.045 ~ 0.050mm / 0.1mm	
Ring End Gap (Top/2nd)	0.3 ~ 0.5mm / 0.3 ~ 0.5mm	
Ring Groove Clearance (Top/2nd)	0.03 ~ 0.05mm / 0.03 ~ 0.05mm	
Coolant Type / Mixing Ratio	φ / φ	
CARBURETOR — Mfr. / Type / I.D. Number	Keihin / CDX 38-32 / 8G500	
Quantity / Venturi Size (Measured/Effective)	1 / 38mm / 32mm	
Main Jet / Main Air Jet	138 / φ	
Partial Jet / Slow Jet / Slow Air Jet / Air Screw	38 / 50 / φ / 2.0	
Pilot Jet / Pilot Screw	φ / φ	
Needle Jet/Jet Needle-Clip Position/Cutaway/Air Jet	φ / φ / φ / φ	
Power Jet / Power Air Jet	φ / φ	
Fuel Inlet Valve / Float Level / Fuel Level	130 / φ / 5 ± 3.5mm	
Idle Speed	1300 rpm	
AUTOLUBE — Pump Color / Control Rod Adj.	Green / Full Throttle: Lever & Match Mark	
Pump Plunger Stroke (Min) (Max)	0.20 ~ 0.25mm / 1.85 ~ 2.05mm	
Output @ 200 Strokes (Full Throttle/Idle)	N/A	
DRIVE — Type	V-Belt Automatic	
Primary Sheave Engagement rpm	3500 rpm	
Belt Length / Width / Wear Limit / IBM Number	1099mm / 31.6mm / 26mm / 820	
Primary Ratio(s)	3.5:1 ~ 1:1	
Sheave Center to Center / Offset	270 ± 2mm / 11 ± 1mm	
Primary Spring Color / Length / Rate	None / 70.9mm / 3.18 kg/mm	
Secondary Spring Pre-Load/Part Number/Color	160° / 90508-40080-00 / None	
Secondary Drive Ratio/Chain Pitch-Type/Freeplay	1.692 (22-13) / No. 40K-1 / 10mm	
Track (Width) / Tension	380mm / 25-30mm @ 10 kg	
CAPACITIES — Chain Case / Quantity / Type	450cc / SAE 75 ~ 80, API GL-3	
Fuel Tank / Quantity / Grade	4.75 Gal. / Regular	
Autolube Tank / Quantity / Type	2.3 Qts. / Yamalube 2	
ELECTRICAL — Mfr. / Type	Mitsubishi / CDI	
Battery: Model / Spec Gravity / Charge Rate	φ	
Lighting Output at Full Load	12V-100W	
Headlight / Taillight / Instrument Ratings	12V60-60W / 12V23-8W / φ	
Lighting Coil Resistance	0.19 Ω ± 10%	
Ignition Source Coil Resistance (Charge Coil)	Brn ~ Blk / 350 Ω ± 10% Blu ~ Blk / 15.0 Ω ± 10%	
Pulse Coil Resistance	Wht-Red ~ Blk / 9.0 Ω ± 10%	
Ignition Coil Resistance Primary / Secondary	1.0 Ω ± 10% / 5.9K Ω ± 20%	
Spark Plug Type / Gap / Torque	NGK B8HS / 0.6mm / 2.7 m·kg	
Timing (B.T.D.C.)*	1.2 ± 0.1mm*	

N/A = Information Not Available

*After Setting Statically, Check With Timing Light

φ = Does Not Apply To This Model

Service Copy: _____ Service Mgr. _____ Mechanic _____ Mechanic _____ Mechanic _____ Binder _____

Office Copy: _____ General Mgr. _____ Sales _____ Parts _____ Binder _____

©YAMAHA MOTOR CORPORATION, U. S. A., BUENA PARK, CALIFORNIA

October 20, 1978 PAGE 1 OF 1

Property of www.SmallEngineDiscount.com - Not for Resale

K3