



YAMAHA

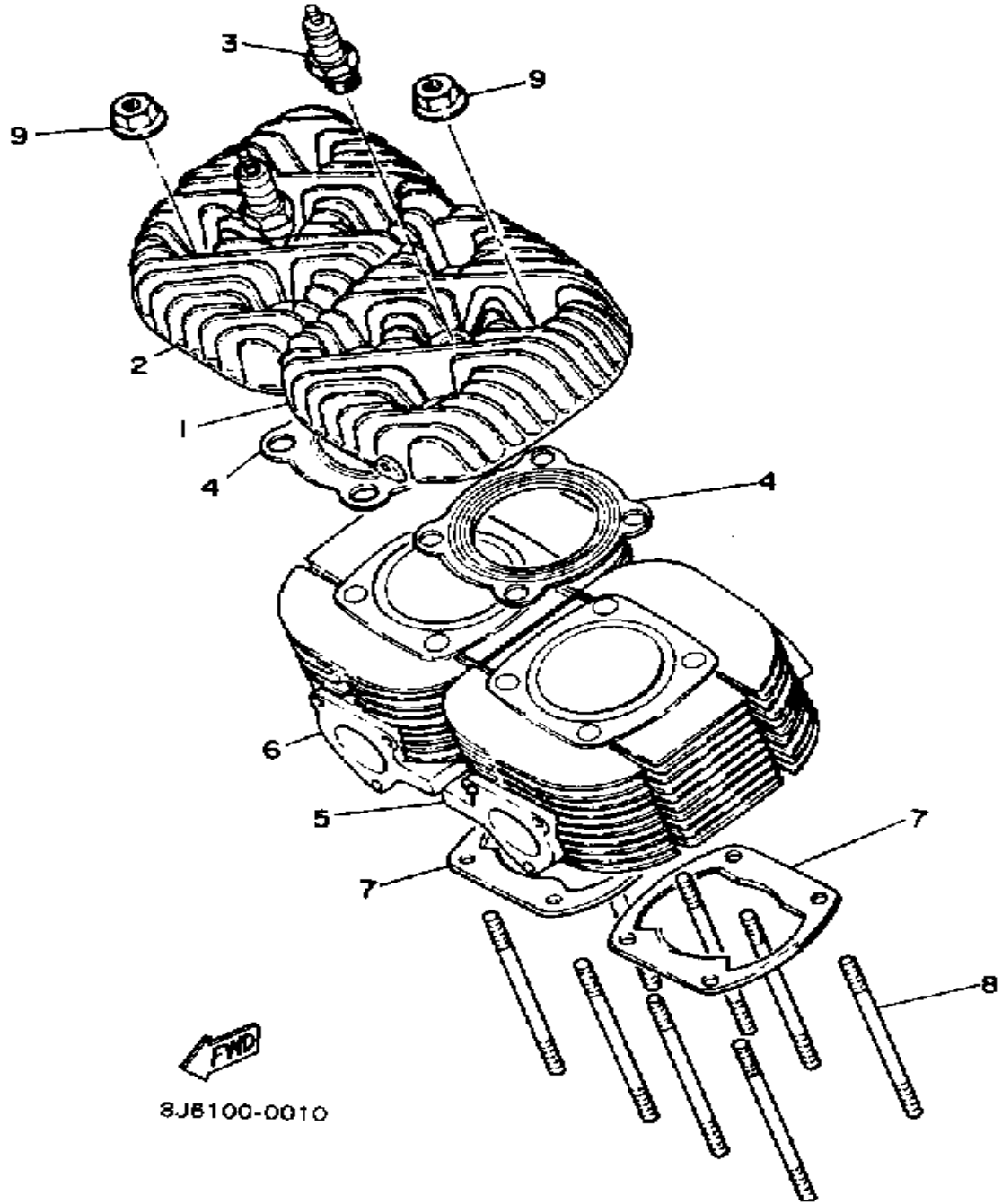
GENUINE

PARTS CATALOGUE

SNOWMOBILE

Property of www.SmallEngineDiscount.com - Not for Resale

CYLINDER



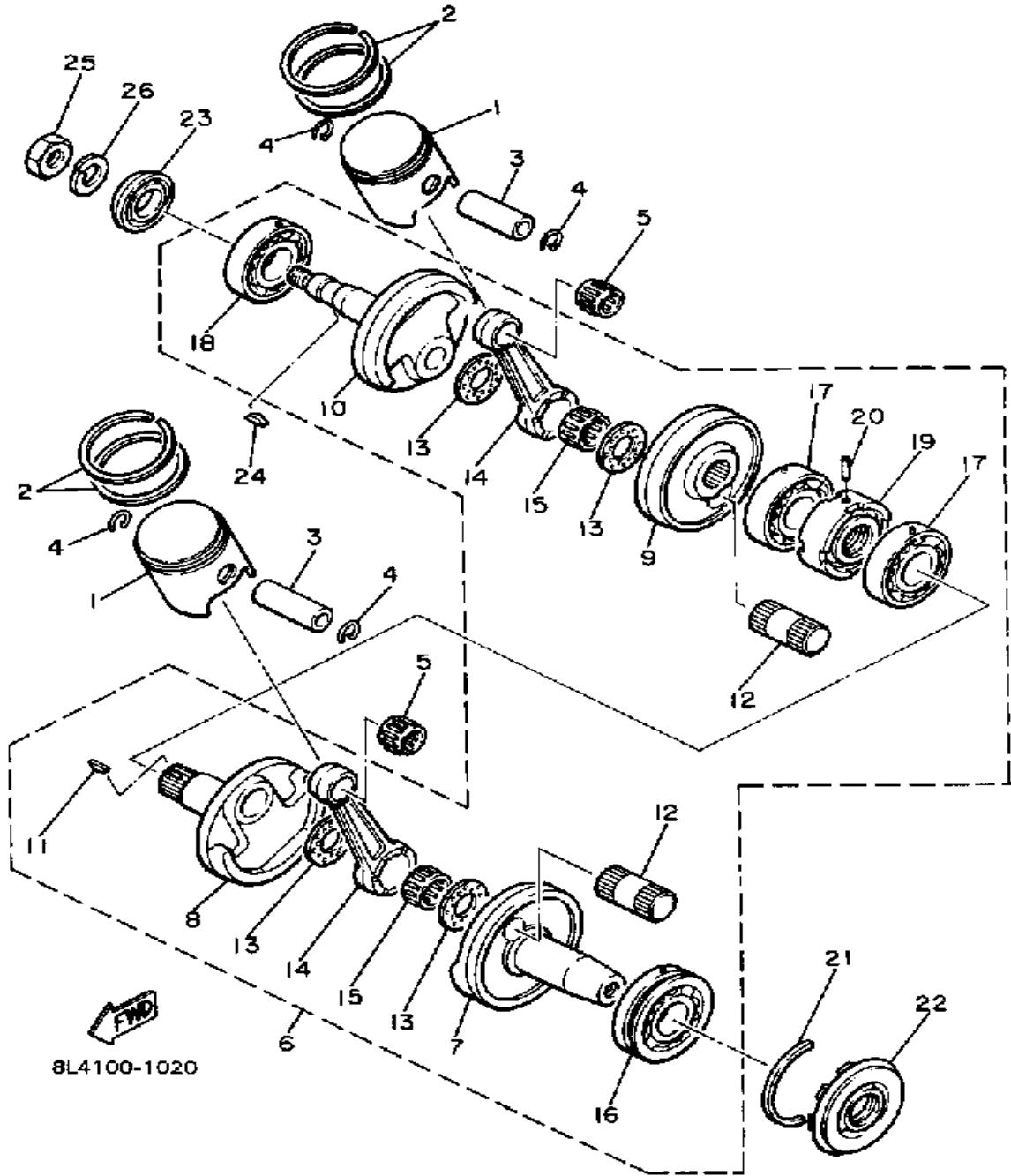
Ref. No.	Part Number	Description	Qty	Remarks
1	(8H9-11111-00-00)	HEAD, CYLINDER 1	1	
2	(8H9-11121-00-00)	HEAD, CYLINDER 2	1	
3	NGK-BR9ES-00-00	PLUG, SPARK	2	
4	8H9-11181-00-00	GASKET, CYLINDER HEAD 1 .	2	
5	(8H9-11311-00-00)	CYLINDER 1	1	
6	(8H9-11321-00-00)	CYLINDER 2	1	
7	846-11351-01-00	GASKET, CYLINDER	2	
8	90116-08107-00	BOLT, STUD	8	
9	95701-08500-00	NUT, FLANGE	8	



8JB100-0010

Property of www.SmallEngineDiscount.com - Not for Resale

CRANKSHAFT - PISTON

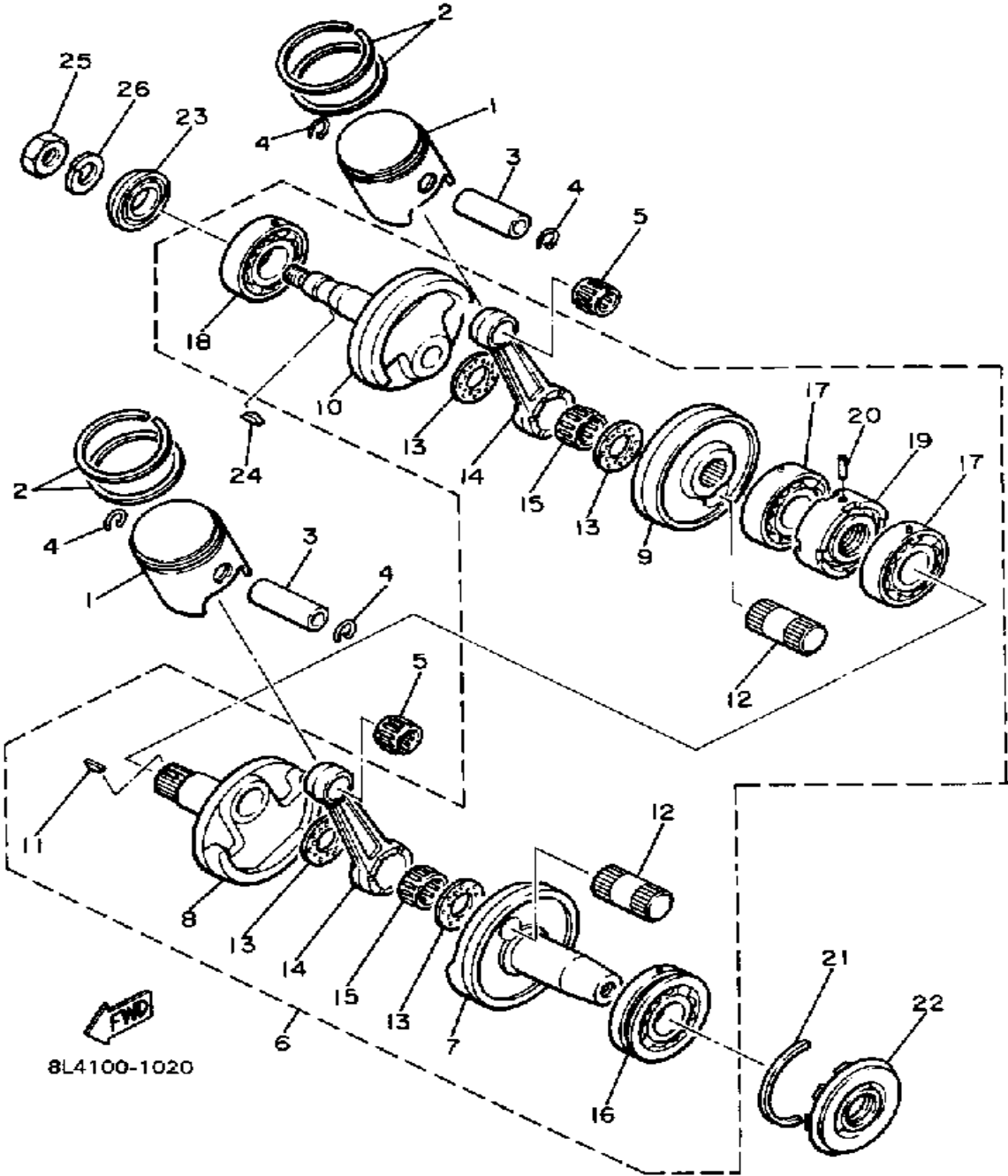


Ref. No.	Part Number	Description	Qty	Remarks
1	8K0-11631-00-96	PISTON STD	2	U.R.
	8K0-11635-00-00	PISTON 1 O/S 0.25 (1ST O/S 0.25MM)	1	ALTERNATE PART
	8K0-11636-00-00	PISTON 2 O/S 0.50 (2ND O/S 0.50MM)	1	ALTERNATE PART
2	8K0-11610-00-00	PISTON RINGSET STD	2	U.R. STD
	8K0-11610-10-00	PISTON RINGSET 1ST (1ST O/S)		
	8K0-11610-20-00	PISTON RINGSET 2ND (2ND O/S)		
3	137-11633-00-00	PIN, PISTON	2	
4	93450-17025-00	CIRCLIP	4	
5	93310-216L2-00	BEARING, CYLINDRICAL	2	
6	8L3-11400-00-00	CRANKSHAFT ASSEMBLY	1	
7	8G8-11412-01-00	. CRANK 1	1	
8	8L3-11422-01-00	. CRANK 2	1	
9	8L3-11432-01-00	. CRANK 3	1	
10	8G8-11442-01-00	. CRANK 4	1	
11	90280-05014-00	. KEY, WOODRUFF	1	
12	8G8-11681-00-00	. PIN, CRANK 1	2	
13	90209-22248-00	. WASHER	4	
14	34X-11651-00-00	. ROD, CONNECTING	2	
15	93310-42277-00	. BEARING, CYLINDER.#10 (93310-42231)	2	
16	93306-30618-00	. BEARING (B6306)	1	
17	93306-20617-00	. BEARING (B6206)	2	
18	93306-30564-00	. BEARING	1	
19	8L3-11515-01-00	. SEAL, LABYRINTH 1	1	
20	91609-30010-00	. PIN, SPRING	1	
21	93440-72049-00	CIRCLIP	1	

CONTINUED ON NEXT FRAME ➤

Property of www.SmallEngineDiscount.com - Not for Resale

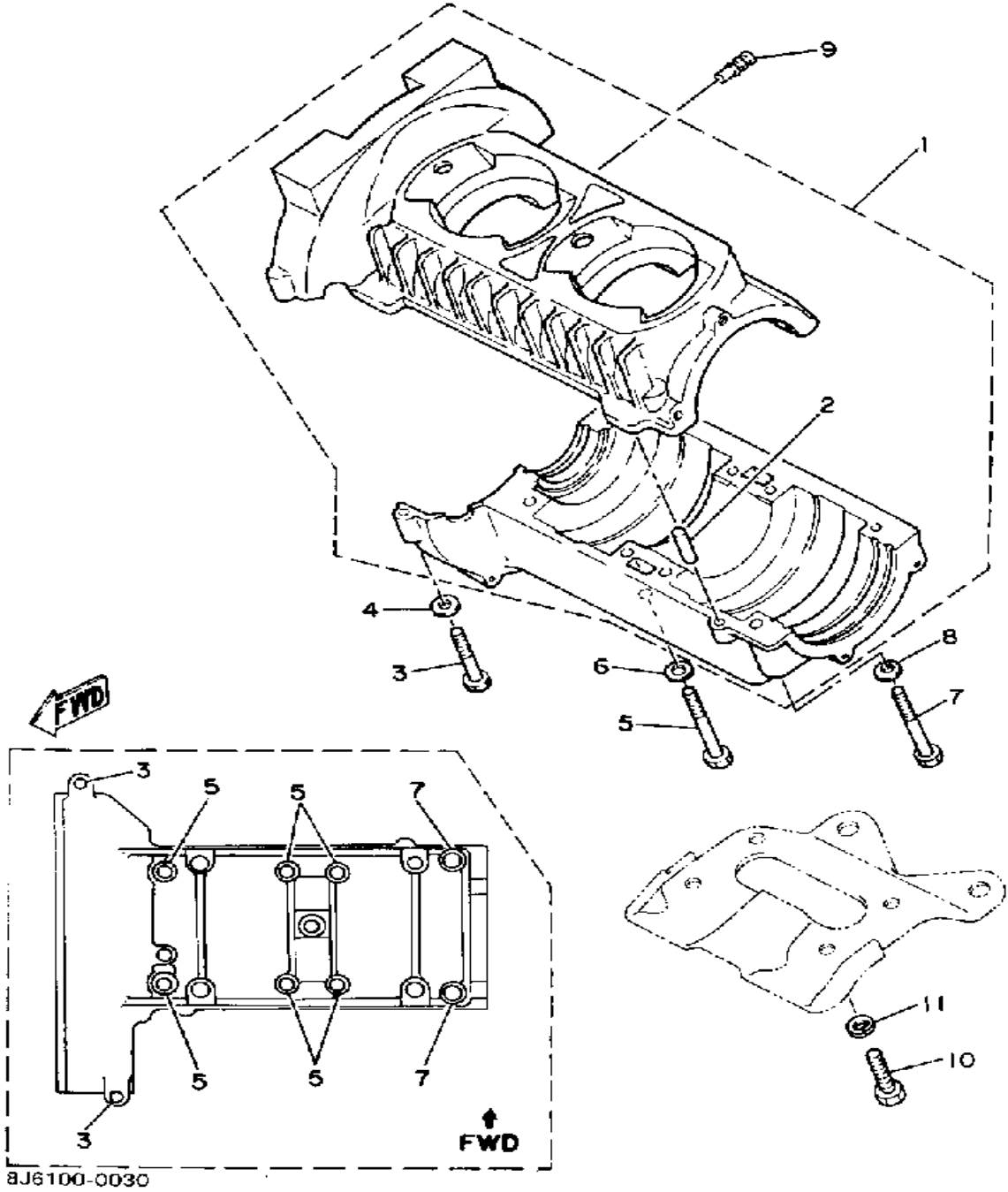
CRANKSHAFT - PISTON



Ref. No.	Part Number	Description	Qty	Remarks
22	93102-30184-00	OIL SEAL, SD-TYPE	1	
23	93102-25183-00	OIL SEAL	1	
24	90280-16053-00	KEY, WOODRUFF	1	
25	90170-16182-00	NUT	1	
26	92901-16100-00	WASHER, SPRING	1	

Property of www.SmallEngineDiscount.com - Not for Resale

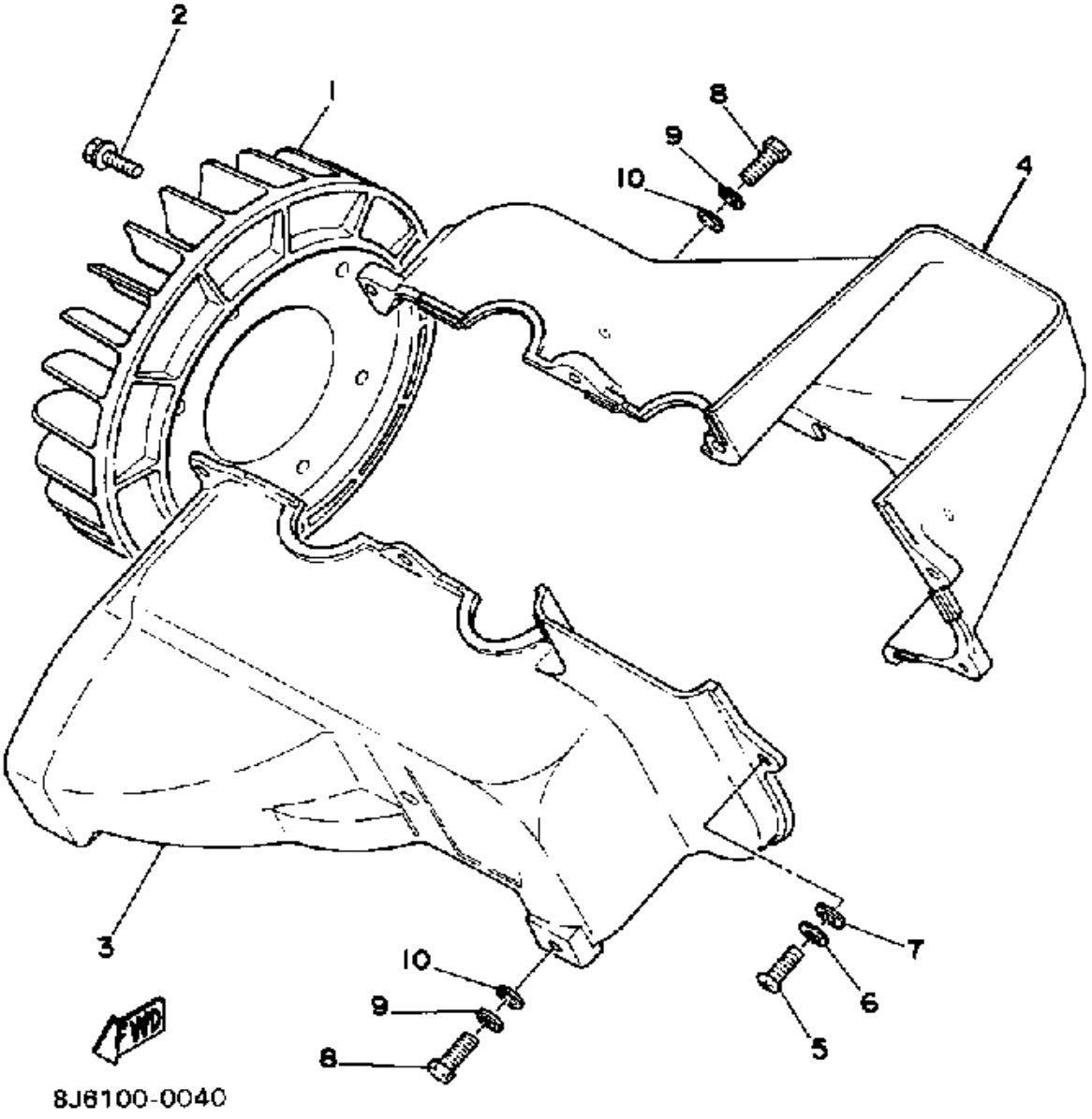
CRANKCASE



Ref. No.	Part Number	Description	Qty	Remarks
1	8G8-15100-02-00	CRANKCASE ASSEMBLY	1	
2	93605-10108-00	. PIN, DOWEL	2	
3	97313-08040-00	BOLT, HEXAGON (97322-08040)	2	
4	92901-08600-00	WASHER	2	
5	97013-08060-00	BOLT (663)	6	
6	92901-08600-00	WASHER	6	
7	97021-08070-00	BOLT	2	
8	92901-08600-00	WASHER	2	
9	8G8-24461-00-00	PIPE, JOINT	1	
10	90106-10034-00	BOLT, DOME HEAD	4	
11	92990-10100-00	WASHER, SPRING	4	

Property of www.SmallEngineDiscount.com - Not for Resale

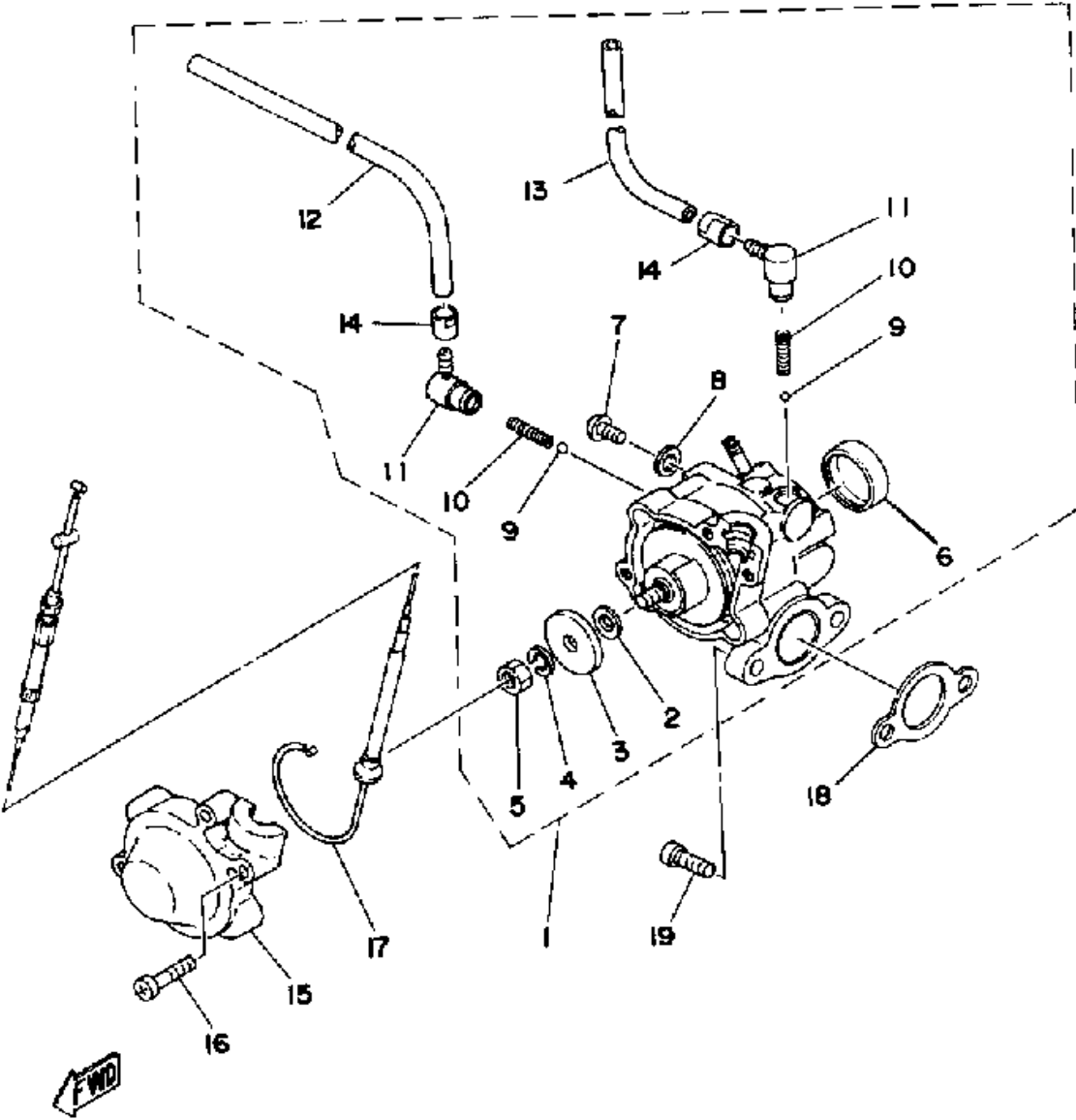
AIR SHROUD - FAN



Ref. No.	Part Number	Description	Qty	Remarks
1	8G8-12611-01-00	FAN	1	
2	95811-06012-00	BOLT, FLANGE	6	
3	8G8-12651-00-00	AIR SHROUD, CYLINDER 1 ...	1	
4	8G8-12652-00-00	AIR SHROUD, CYLINDER 2 ...	1	
5	98506-06016-00	SCREW, PANHEAD	5	
6	92906-06100-00	WASHER, SPRING	5	
7	92906-06600-00	WASHER	5	
8	97313-06016-00	BOLT, HEXAGON	6	
9	92995-06100-00	WASHER, SPRING	6	
10	90201-06059-00	WASHER, PLATE	6	

Property of www.SmallEngineDiscount.com - Not for Resale

OIL PUMP

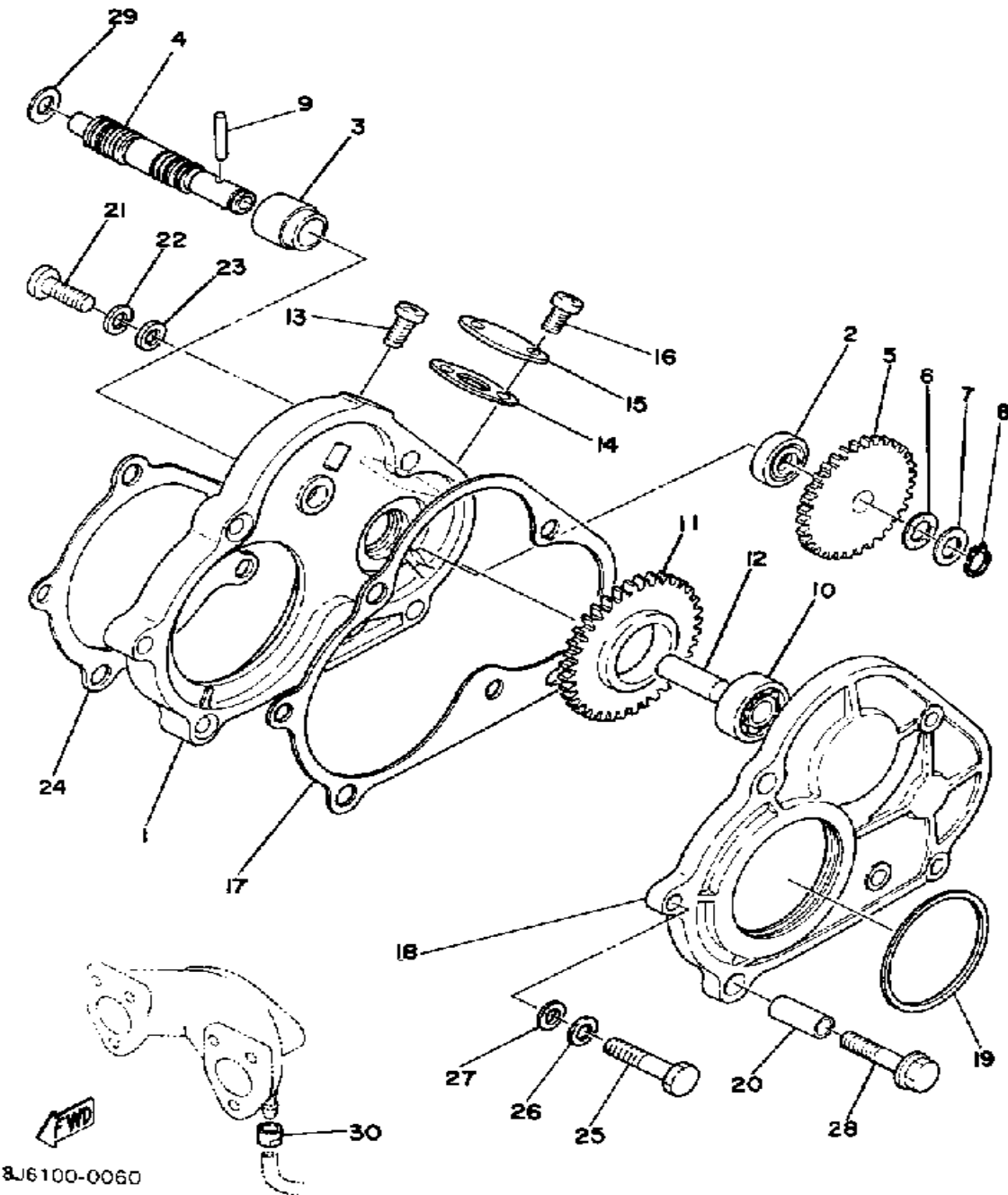


8J6100-0050

Ref. No.	Part Number	Description	Qty	Remarks
1	8H9-13101-00-00	OIL PUMP ASSEMBLY	1	
2	137-13137-00-03	. SHIM (0.3T)	1	U.R.
	137-13137-00-05	. SHIM (0.5T)	1	U.R.
	137-13137-00-10	. SHIM (1.0T)	1	U.R.
3	137-13138-01-00	. PLATE, ADJUSTING	1	
4	92990-05100-00	. WASHER, SPRING	1	
5	95380-05600-00	. NUT	1	
6	90338-21100-00	. PLUG	1	
7	98901-04008-00	. SCREW, BIND	1	
8	90430-04004-00	. GASKET	1	
9	93505-32002-00	. BALL	2	
10	90501-02018-00	. SPRING, COMPRESSION	2	
11	353-13552-01-00	. NOZZLE	2	
12	90445-05019-00	. HOSE	1	
13	90445-052F5-00	. HOSE	1	
14	90468-02033-00	. CLIP	2	
15	8A5-13146-01-00	COVER, ADJUST PULLEY	1	
16	98506-04018-00	SCREW, PAN HEAD	3	
17	8G8-26320-01-00	PUMP CABLE ASSEMBLY	1	
18	3MT-13116-00-00	GASKET, PUMP CASE (8Y0-13116-00)	1	
19	98580-05014-00	SCREW, PAN HEAD	2	

Property of www.SmallEngineDiscount.com - Not for Resale

PUMP DRIVE - GEAR



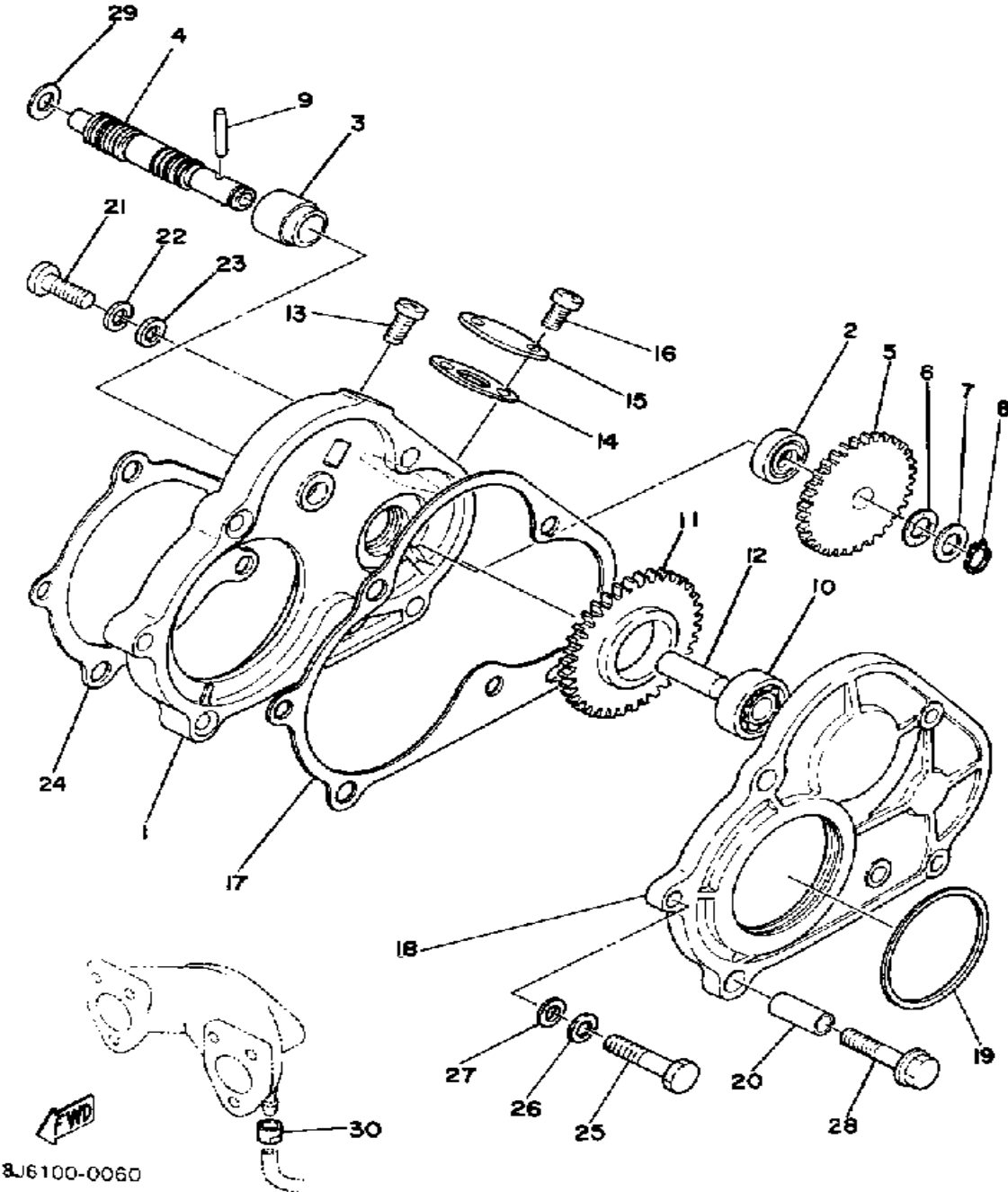
Ref. No.	Part Number	Description	Qty	Remarks
1	8G8-15416-00-00	COVER, OIL PUMP	1	
2	93101-10090-00	OIL SEAL	1	
3	821-13176-00-00	METAL, WORM SHAFT OUTER	1	
4	826-13175-00-00	SHAFT, WORM	1	
5	821-13188-00-00	GEAR, DRIVE (32T)	1	
6	90206-11016-00	WASHER, WAVE	1	
7	137-13148-00-00	PLATE, CAM THRUST	1	
8	99009-10400-00	CIRCLIP	1	
9	93603-22028-00	PIN, DOWEL	1	
10	93306-00002-00	BEARING (B6000RS)	1	
11	8G8-13179-00-00	GEAR, IDLE	1	
12	8G8-13342-00-00	SHAFT, IDLE GEAR	1	
13	98580-06012-00	SCREW, PAN HEAD	1	
14	821-17818-02-00	GASKET	1	
15	824-17819-00-00	CAP, HOUSING	1	
16	98580-05010-00	SCREW, PAN HEAD	2	
17	8G8-15466-01-00	GASKET 2	1	
18	8G8-15426-00-00	COVER, OIL PUMP R	1	
19	93112-53004-00	OIL SEAL, SR-TYPE	1	
20	91810-18025-00	PIN, DOWEL	2	
21	98580-06020-00	SCREW	2	
22	92995-06100-00	WASHER, SPRING	2	
23	90201-061A5-00	WASHER, PLATE	2	
24	8G8-15456-01-00	GASKET, O/P P CVR 1	1	
25	97021-06030-00	BOLT	2	
26	92995-06100-00	WASHER, SPRING	2	
27	90201-061A5-00	WASHER, PLATE	2	
28	95811-06035-00	BOLT, FLANGE	2	
29	90201-08624-00	WASHER, PLATE	1	

CONTINUED ON NEXT FRAME ➤

Property of www.SmallEngineDiscount.com - Not for Resale

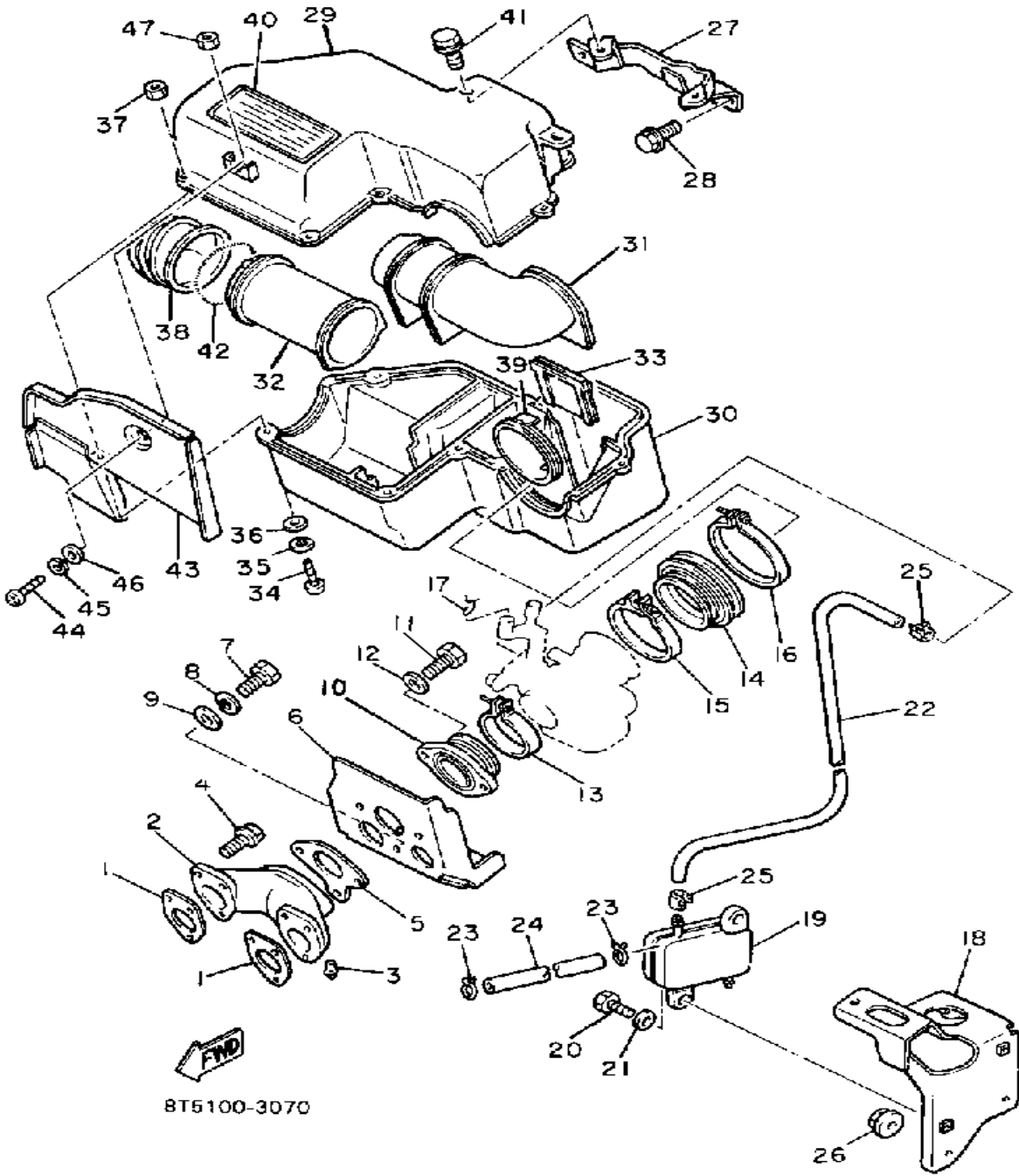
PUMP DRIVE - GEAR

Ref. No.	Part Number	Description	Qty	Remarks
30	90468-02033-00	CLIP	2	



Property of www.SmallEngineDiscount.com - Not for Resale

INTAKE

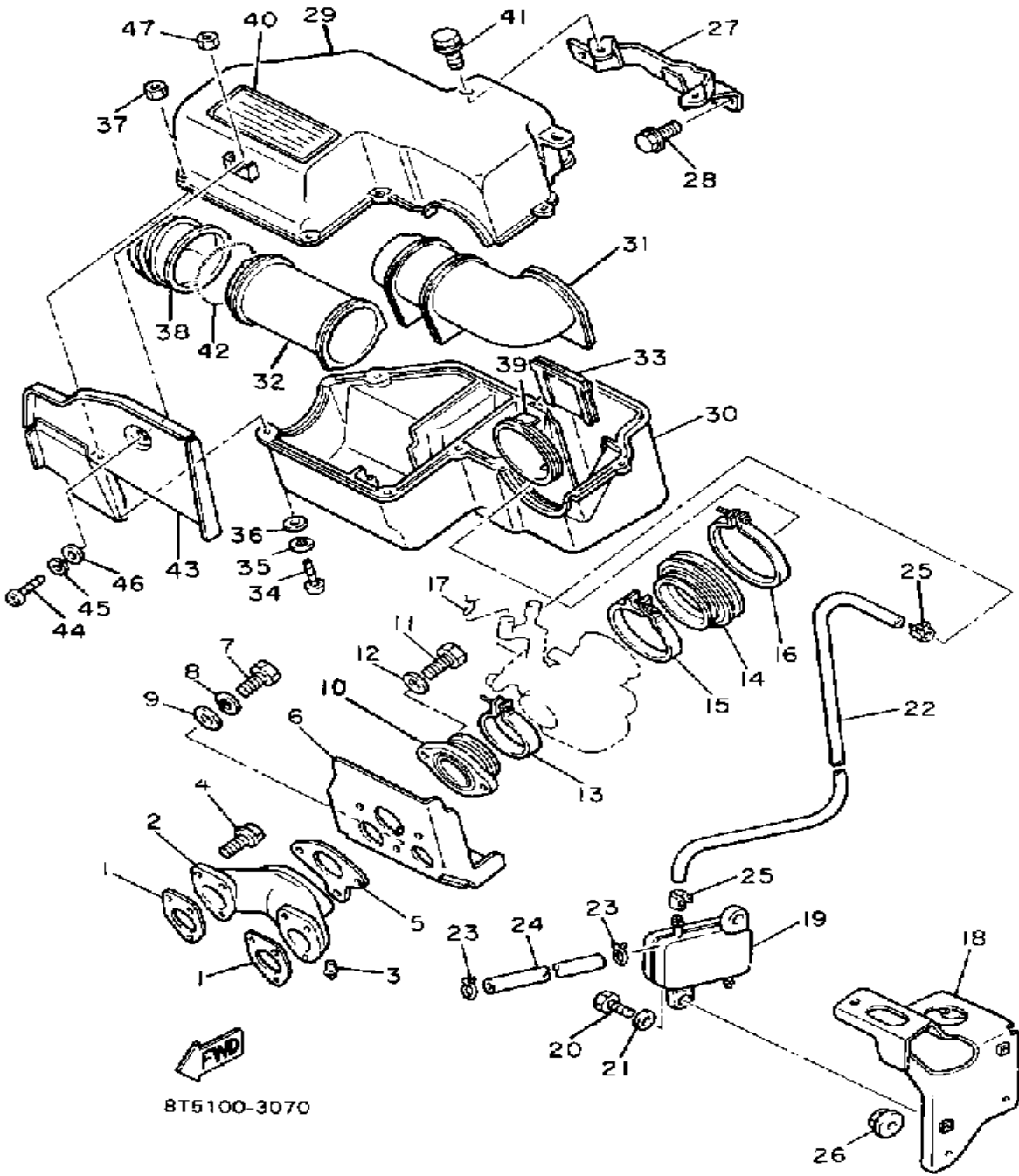


Ref. No.	Part Number	Description	Qty	Remarks
1	8Y2-13563-02-00	GASKET	2	
2	8G8-13565-00-00	JOINT, CARBURETOR	1	
3	824-13552-00-00	NOZZLE	2	
4	95811-06020-00	BOLT, FLANGE	6	
5	8Y2-13556-01-00	GASKET, MANIFOLD	1	
6	8H5-13567-00-00	GASKET	1	
7	97313-08012-00	BOLT	1	
8	92902-08100-00	WASHER, SPRING	1	
9	90209-08150-00	WASHER, SPEC'L SHAP (90209-08097)	1	
10	8G8-13555-01-00	MANIFOLD, INTAKE	1	
11	97001-08025-00	BOLT (1NV)	2	
12	92901-08600-00	WASHER	2	
13	86M-13575-00-00	BAND	1	
14	8G8-14453-01-00	JOINT, AIR CLNR 1	1	
15	90460-68230-00	CLAMP, HOSE	1	
16	90460-85277-00	CLAMP, HOSE	1	
17	822-41222-00-00	CLAMP, THROTTLE	1	
18	8G8-24491-00-00	BRACKET, FUEL PUMP	1	
19	8J6-24410-00-00	FUEL PUMP ASSEMBLY	1	
20	97001-06018-00	BOLT	2	
21	90201-061A5-00	WASHER, PLATE	2	
22	91A30-05024-00	TUBE, FLEXIBLE VINYL	1	
23	90467-09006-00	CLIP	2	
24	90445-10140-00	HOSE	1	
25	90467-09026-00	CLIP	2	
26	95701-06500-00	NUT, FLANGE	2	
27	8G8-14498-00-00	STAY 1	1	
28	95811-06010-00	BOLT, FLANGE	2	

CONTINUED ON NEXT FRAME ►

Property of www.SmallEngineDiscount.com - Not for Resale

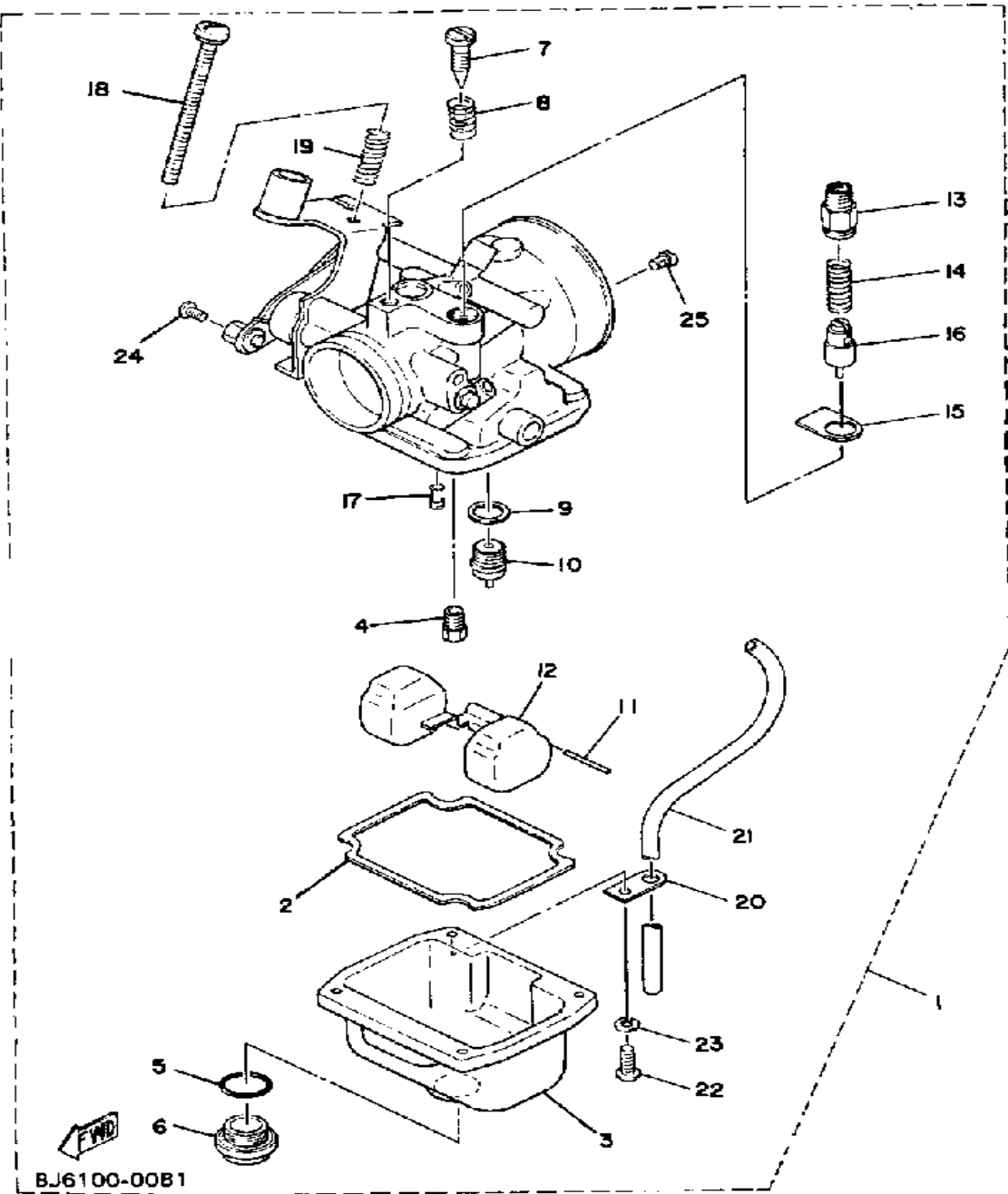
INTAKE



Ref. No.	Part Number	Description	Qty	Remarks
29	8G8-14431-00-00	SILENCER, INTAKE 1	1	
30	8G8-14441-00-00	SILENCER, INTAKE 2	1	
31	8G8-14419-00-00	PIPE	1	
32	8G8-14465-00-00	PIPE	1	
33	8G8-14477-00-00	PLATE	1	
34	98580-05020-00	SCREW, PAN HEAD	6	
35	92990-05100-00	WASHER, SPRING	6	
36	92901-05600-00	WASHER, PLATE	6	
37	95380-05600-00	NUT	6	
38	8N5-14423-00-00	PIPE, SUCTION 1	1	
39	8G8-14466-01-00	PIPE	1	
40	8A5-14488-00-00	LABEL, CAUTION	1	
41	95821-06014-00	BOLT, FLANGE	3	
42	90506-06083-00	SPRING, TENSION	1	
43	8N5-14477-00-00	PLATE	1	
44	98506-05010-00	SCREW, PAN HEAD	1	
45	92906-05100-00	WASHER, SPRING	1	
46	92906-05600-00	WASHER, PLATE	1	
47	95380-05600-00	NUT	1	

Property of www.SmallEngineDiscount.com - Not for Resale

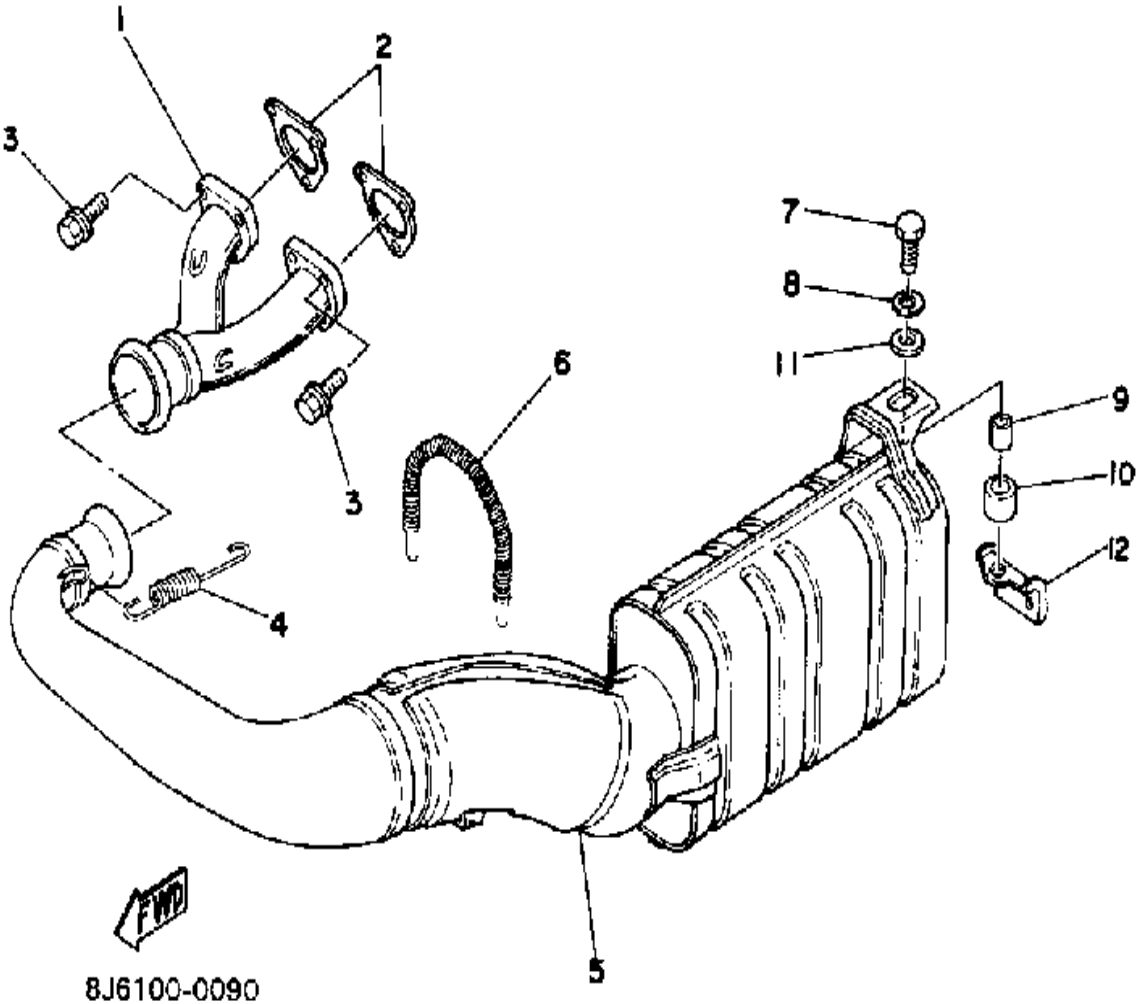
CARBURETOR



Ref. No.	Part Number	Description	Qty	Remarks
1	8H9-14101-01-00	CARBURETOR ASSEMBLY 1	1	
2	8G8-14184-00-00	. GASKET, FLOAT CHMBR	1	
3	(8H5-14181-00-00)	BODY, FLOAT CHMBR 1	1	
4	137-14143-36-A1	. JET, MAIN #1 0	1	U.R.
	137-14143-38-A0	. JET, MAIN #1 0	1	U.R.
	137-14143-40-A1	. JET, MAIN #2 0	1	U.R.
	137-14143-42-A1	. JET, MAIN #2 0	1	U.R. STD
	137-14143-44-A1	. JET, MAIN #2 0	1	U.R.
5	558-14147-00-00	. O-RING	1	
6	500-14115-00-00	. PLUG, SCREW	1	
7	8G8-14123-00-00	. SCREW, AIR ADJUSTING	1	
8	137-14134-00-00	. SPRING, AIR ADJUSTING	1	
9	239-14195-00-00	. WASHER, NEEDLE VALVE	1	
10	8H5-14190-15-00	. NEEDLE VALVE ASSEMBLY	1	
11	537-14186-00-00	. PIN, FLOAT	1	
12	8H5-14185-00-00	. FLOAT	1	
13	8G8-14174-00-00	. CAP, PLUNGER	1	
14	127-14135-00-00	. SPRING, PLUNGER	1	
15	8G8-14178-00-00	. PLATE, STARTER LVR	1	
16	8G8-14171-00-00	. PLUNGER, STARTER	1	
17	193-14142-90-A1	. JET, PILOT (# 90)	1	
18	98580-05550-00	. SCREW, PAN HEAD	1	
19	(849-14134-00-00)	SPRING, AIR ADJUSTING	1	
20	313-14146-00-00	. PLATE	1	
21	8G8-14196-00-00	. PIPE, OVERFLOW	1	
22	98580-05016-00	. SCREW, PAN HEAD	4	
23	92990-05100-00	. WASHER, SPRING	4	
24	98580-04008-00	. SCREW, PAN HEAD	1	
25	239-14172-10-00	. PILOT JET, AIR (1.0)	1	

Property of www.SmallEngineDiscount.com - Not for Resale

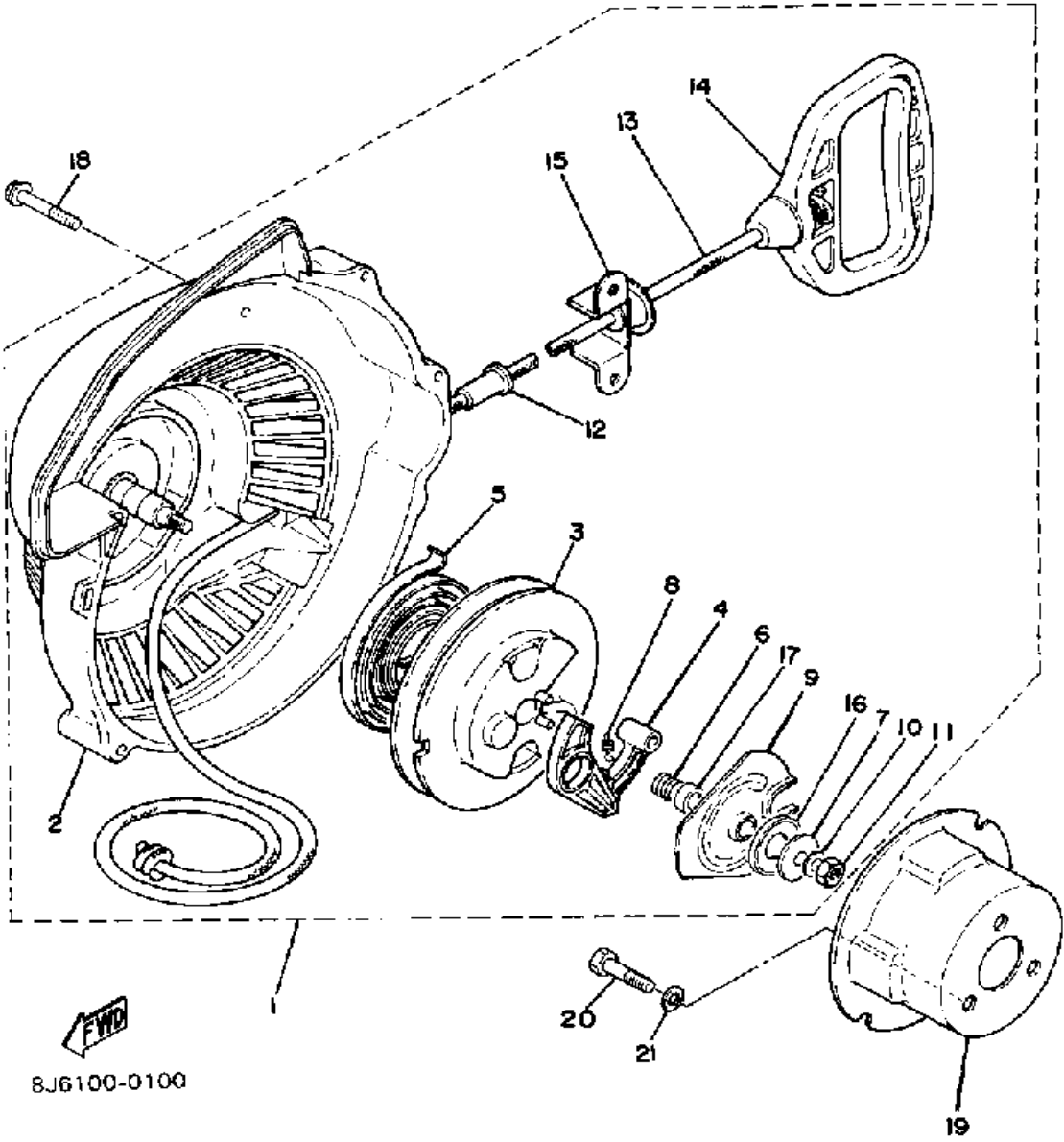
EXHAUST



Ref. No.	Part Number	Description	Qty	Remarks
1	8G8-14610-00-00	EXHAUST PIPE ASSEMBLY 1	1	
2	8G8-14613-01-00	GASKET, EXHAUST PIPE	2	
3	95811-06020-00	BOLT, FLANGE	6	
4	90506-20272-00	SPRING, TENSION	2	
5	8M8-14710-00-00	MUFFLER ASSEMBLY L	1	
6	90506-16130-00	SPRING, TENSION	1	
7	97313-08030-00	BOLT, HEXAGON	1	
8	92902-98100-00	UNAVAILABLE IN PRICE BOOK	1	
9	90387-08778-00	COLLAR	1	
10	8G8-14747-00-00	DAMPER, MUFFLER	1	
11	90201-08753-00	WASHER, PLATE	1	
12	8G8-14771-00-00	STAY, MUFFLER 1	1	

Property of www.SmallEngineDiscount.com - Not for Resale

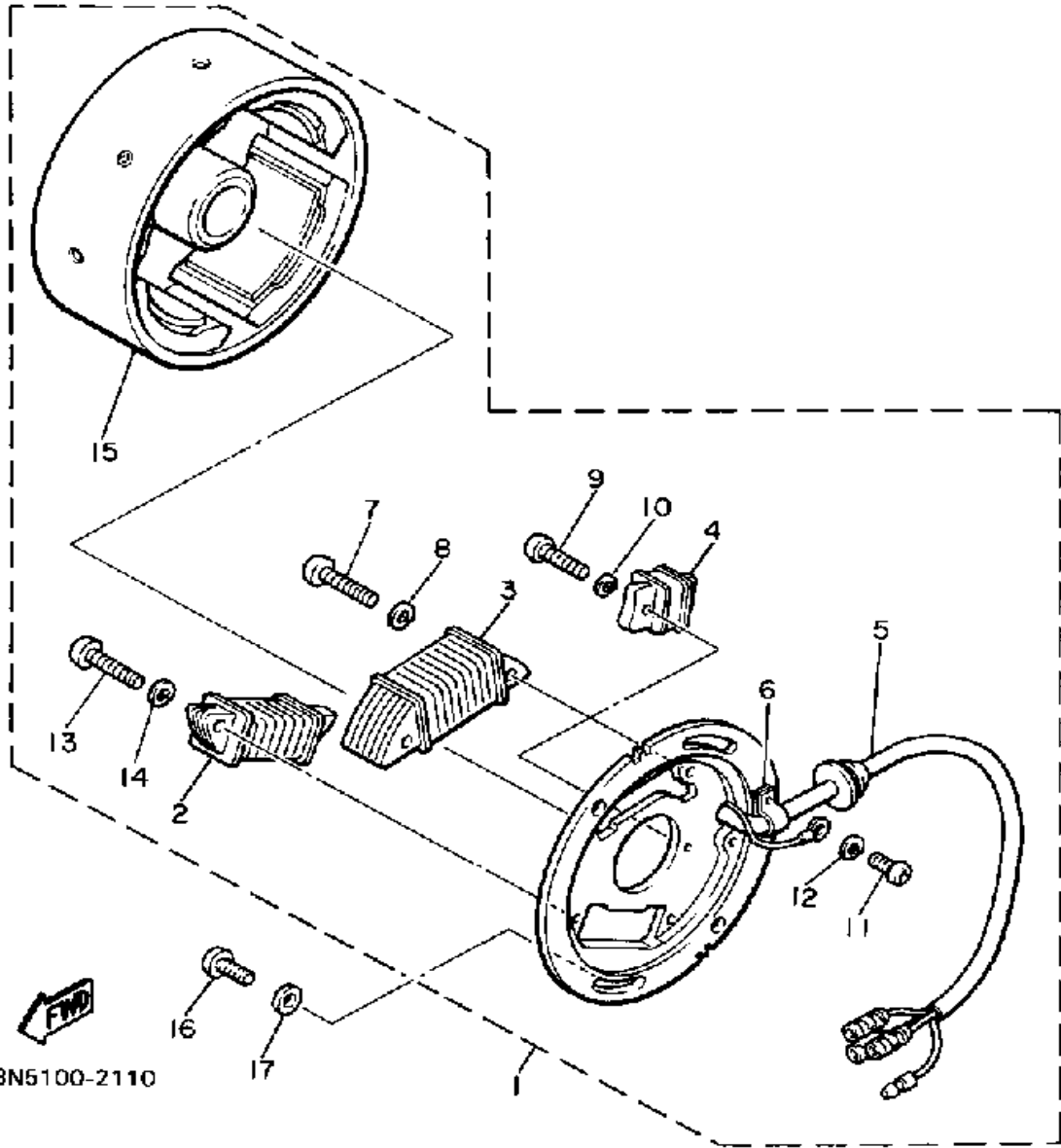
STARTER



Ref. No.	Part Number	Description	Qty	Remarks
1	8G8-15710-01-00	STARTER ASSEMBLY	1	
2	8G8-15711-01-00	. CASE, STARTER	1	
3	8F3-15714-01-00	. DRUM, SHEAVE	1	
4	8F3-15741-01-00	. PAWL, DRIVE	1	
5	8F3-15713-01-00	. SPRING, STARTER	1	
6	8F3-15715-00-00	. SPRING, FRICTION	1	
7	8F3-15739-01-00	. WASHER, THRUST	1	
8	8F3-15734-00-00	. SPRING, RETURN	1	
9	8F3-15716-03-00	. PLATE, DRIVE	1	
10	92995-06100-00	. WASHER, SPRING	1	
11	95380-06700-00	. NUT	1	
12	8F3-15758-00-00	. GUIDE, ROPE	1	
13	857-15751-00-00	. WIRE, STARTER	1	
14	8F3-15755-00-00	. HANDLE, STARTER	1	
15	8F3-15788-01-00	. HOLDER, HANDLE	1	
16	8G5-15739-00-00	. WASHER, THRUST	1	
17	82M-15779-00-00	. COVER	1	
18	95811-06045-00	BOLT, flange (95812-06045-00)	5	
19	8G8-15723-00-00	PULLEY, STARTER	1	
20	97011-08016-00	BOLT	3	
21	92990-08100-00	WASHER	3	

Property of www.SmallEngineDiscount.com - Not for Resale

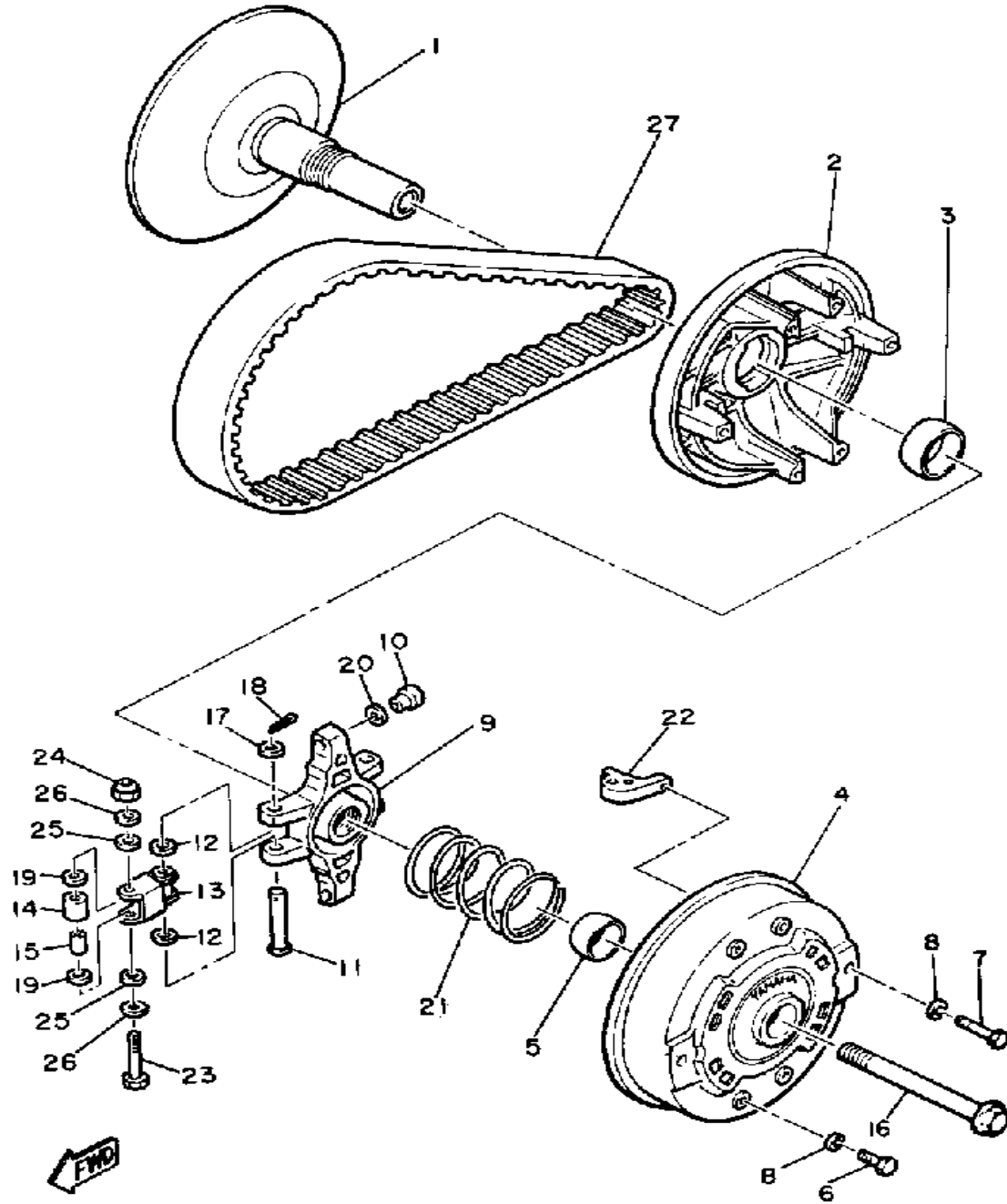
C - D - I - MAGNETO



Ref. No.	Part Number	Description	Qty	Remarks
1	(8N5-85500-20-00)	CDI MAGNETO ASSEMBLY ...	1	
2	8N4-85511-20-00	. COIL SOURCE 1	1	
3	8G8-85513-20-00	. COIL, LIGHTING 1	1	
4	82M-85580-20-00	. COIL, PULSER	1	
5	(8N5-85515-20-00)	LEAD WIRE ASSEMBLY	1	
6	104-81328-20-00	. CLAMP	1	
7	98501-05035-00	. SCREW, PAN HEAD	2	
8	92990-05100-00	. WASHER, SPRING	2	
9	98506-04018-00	. SCREW, PAN HEAD	2	
10	92901-04100-00	. WASHER, SPRING	2	
11	98580-04008-00	. SCREW, PAN HEAD	1	
12	92901-04100-00	. WASHER, SPRING	1	
13	98501-05018-00	. SCREW, PAN HEAD	2	
14	92990-05100-00	. WASHER, SPRING	2	
15	8J6-85550-20-00	. ROTOR ASSEMBLY	1	
16	98903-06014-00	SCREW, BIND	2	
17	90201-06043-00	WASHER, PLATE	2	

Property of www.SmallEngineDiscount.com - Not for Resale

PRIMARY SHEAVE



8N3300-1120

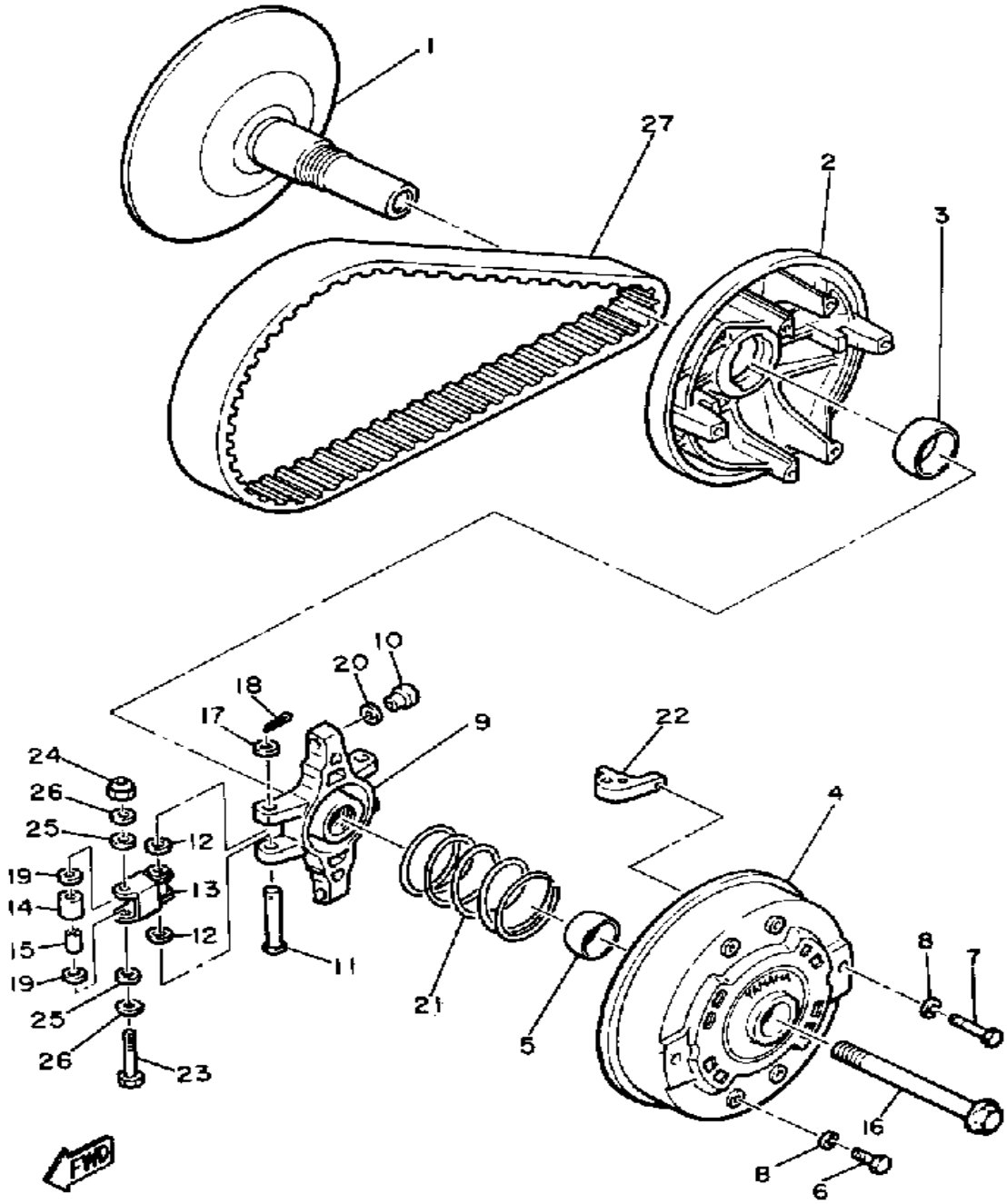
Ref. No.	Part Number	Description	Qty	Remarks
1	8H9-W1761-00-00	PRI. FIXED SHEAVESHEAVE COMP.	1	
2	8H9-17621-01-00	SHEAVE, PRI SLIDING	1	
3	90389-39023-00	BUSH, SPEC'L SHAPE	1	
4	8H9-17631-00-00	CAP	1	
5	90389-26022-00	BUSH, SPEC'L SHAPE	1	
6	97011-06025-00	BOLT (97001-06025)	4	
7	97313-06040-00	BOLT, HEXAGON	2	
8	92995-06100-00	WASHER, SPRING	6	
9	8H9-17627-00-00	SPIDER	1	
10	8F2-17653-00-00	SLIDER	4	
11	90240-07112-00	PIN, CLEVIS	2	
12	90201-06589-00	WASHER, PLATE	4	
13	8H9-17632-01-00	WEIGHT	2	
14	90387-09698-00	COLLAR	2	
15	90387-06697-00	COLLAR	2	
16	8H9-17647-00-00	BOLT	1	
17	90201-06M08-00	WASHER, PLATE	2	
18	91401-25020-00	PIN, COTTER	2	
19	90201-09728-00	WASHER, PLATE	4	
20	90201-090A4-00	WASHER, PLATE	1	U.N.
21	90501-55345-00	SPRING, COMPRESSION	1	
22	8H9-17623-00-00	CAM	2	
23	90101-06663-00	BOLT (90101-06663)	2	
24	95601-06100-00	NUT, U	2	
25	90201-06727-00	WASHER, PLATE	4	
26	90201-06726-00	WASHER, PLATE	4	
27	(8H9-00000-50-00) (8H9-17601-09-00)	CLUTCH TUNE-UP KIT	1	WITH - OPTIONAL KITWITH *

CONTINUED ON NEXT FRAME ►

Property of www.SmallEngineDiscount.com - Not for Resale

PRIMARY SHEAVE

Ref. No.	Part Number	Description	Qty	Remarks
27	820-17641-00-00	V-BELT	1	

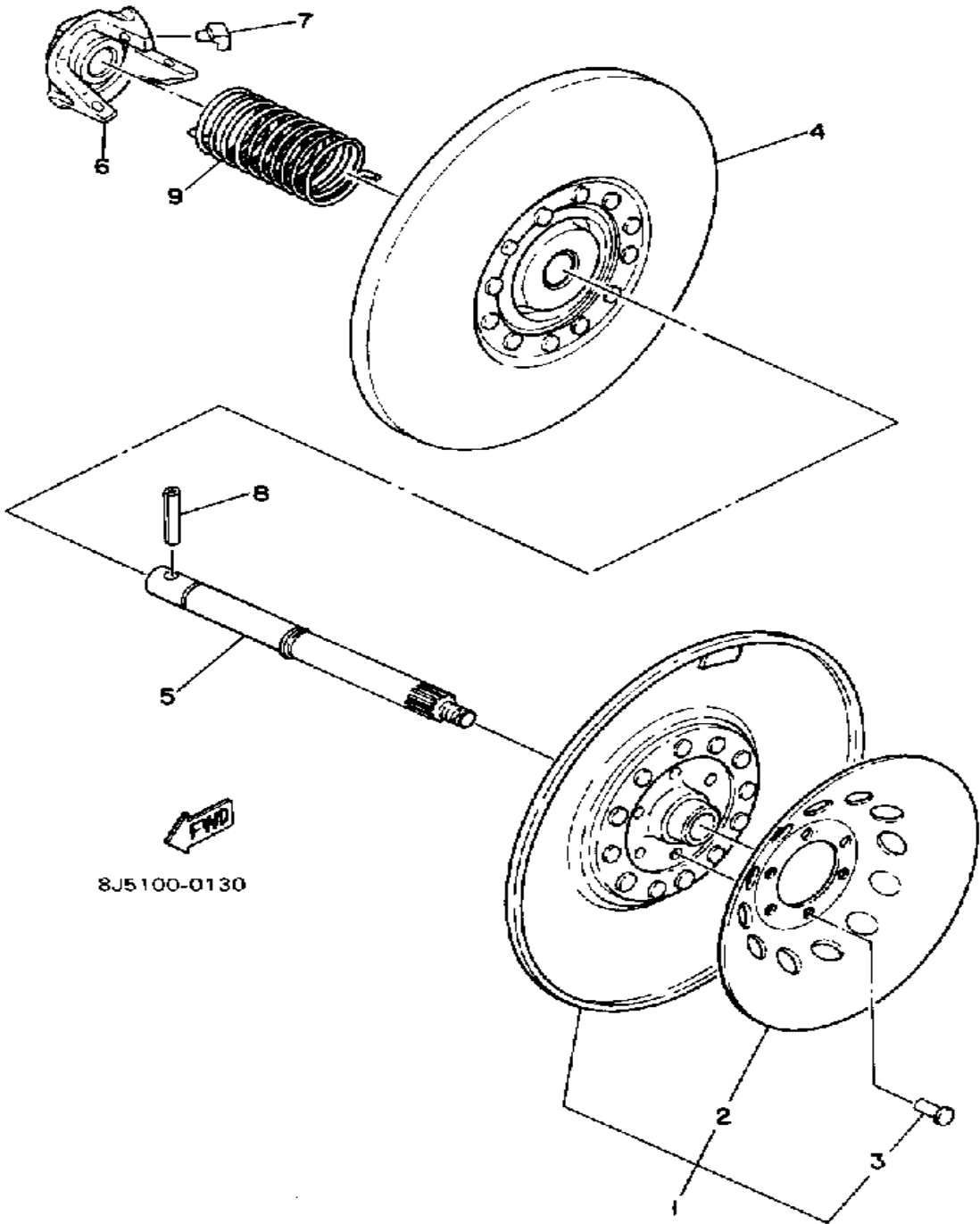


8N3300-1120

Property of www.SmallEngineDiscount.com - Not for Resale

SECONDARY SHEAVE

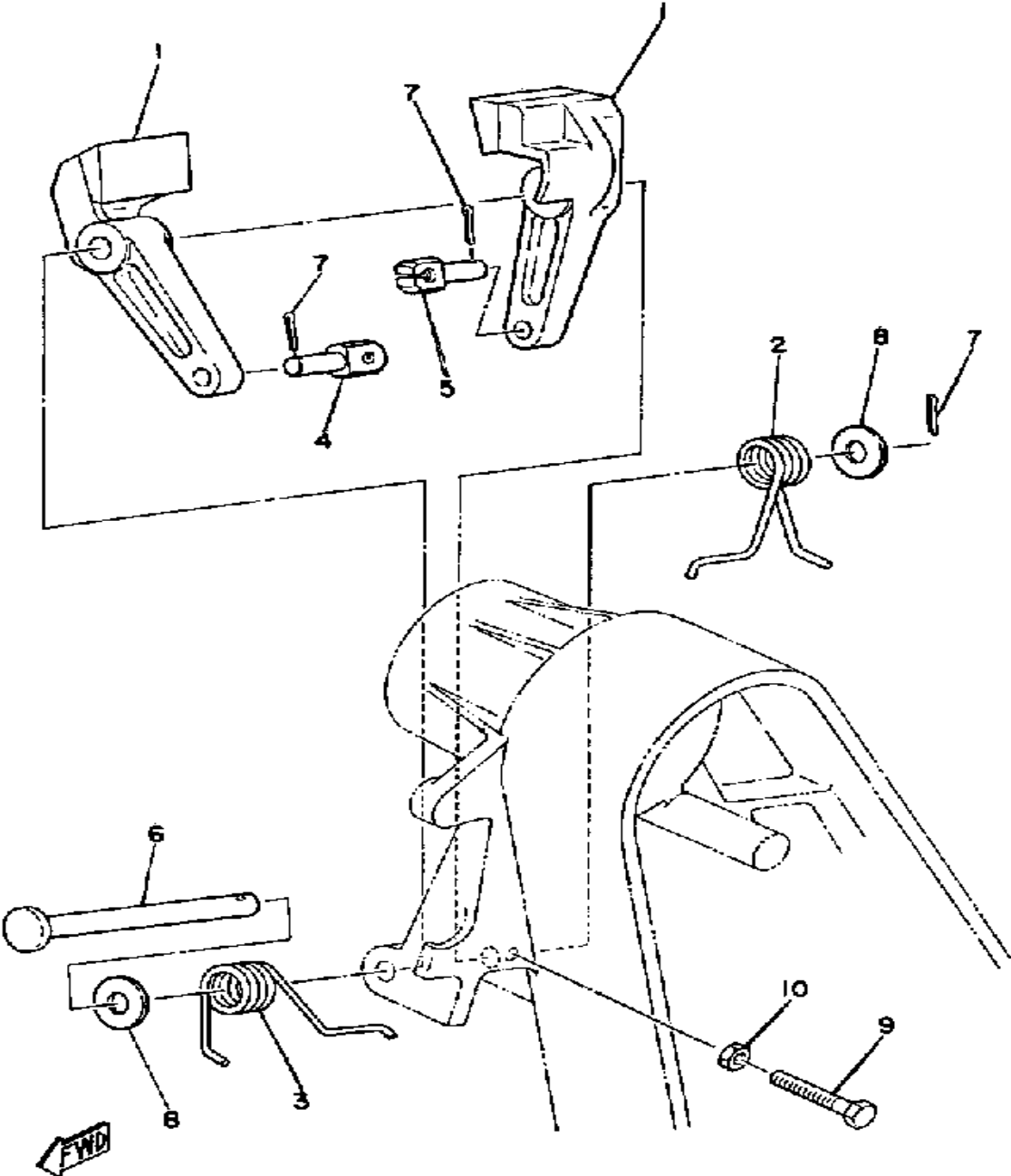
Ref. No.	Part Number	Description	Qty	Remarks
1	8F3-17660-00-00	SEC FXD SHVSHEAVE COMP.	1	
2	8F3-25711-00-00	. DISC, BRAKE	1	
3	90263-05023-00	. RIVET, FLAT HEAD	6	
4	8F3-17670-00-00	SEC SLIDING SHEAVESHEAVE	1	
5	8F3-17681-00-00	SHAFT, SECONDARY	1	
6	810-17684-01-00	SEAT, SEC SPRINGSRING ..	1	
7	801-17688-10-00	SHOE, RAMP	3	
8	90254-08001-00	PIN, SPRING TYPE	1	
9	90508-40080-00	SPRING, TORSION	1	



8J5100-0130

Property of www.SmallEngineDiscount.com - Not for Resale

BRAKE

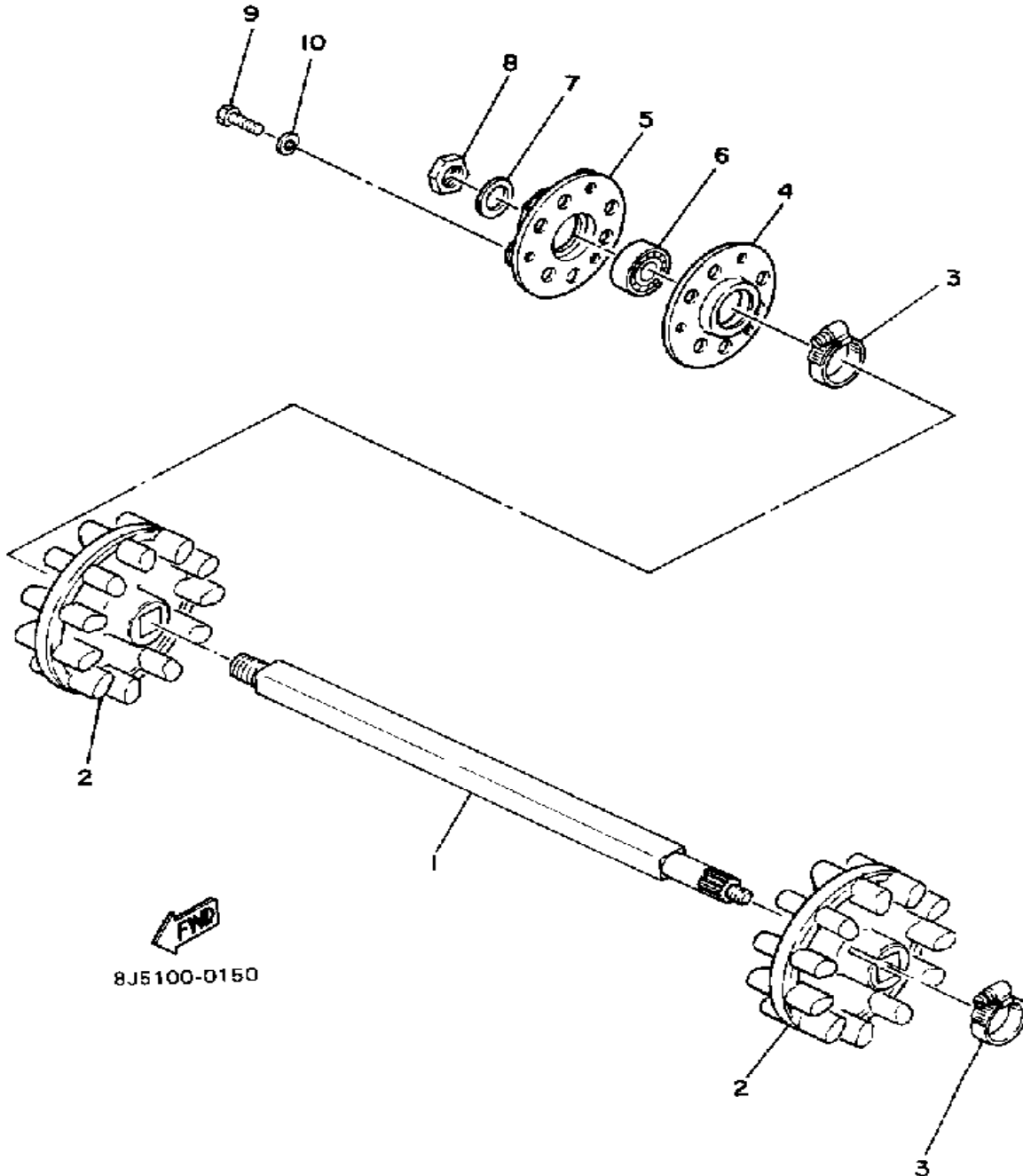


8J6100-0140

Ref. No.	Part Number	Description	Qty	Remarks
1	8F3-25730-00-00	CALIPER BODY 1COMP 1	2	
2	90508-26335-00	SPRING, TORSION	1	
3	90508-26336-00	SPRING, TORSION	1	
4	90249-06012-00	PIN	1	
5	90249-06009-00	PIN	1	
6	90240-08023-00	PIN, CLEVIS	1	
7	91490-20020-00	PIN, COTTER	3	
8	92901-08600-00	WASHER	2	
9	90101-05355-00	BOLT	1	
10	95311-05700-00	NUT	1	

Property of www.SmallEngineDiscount.com - Not for Resale

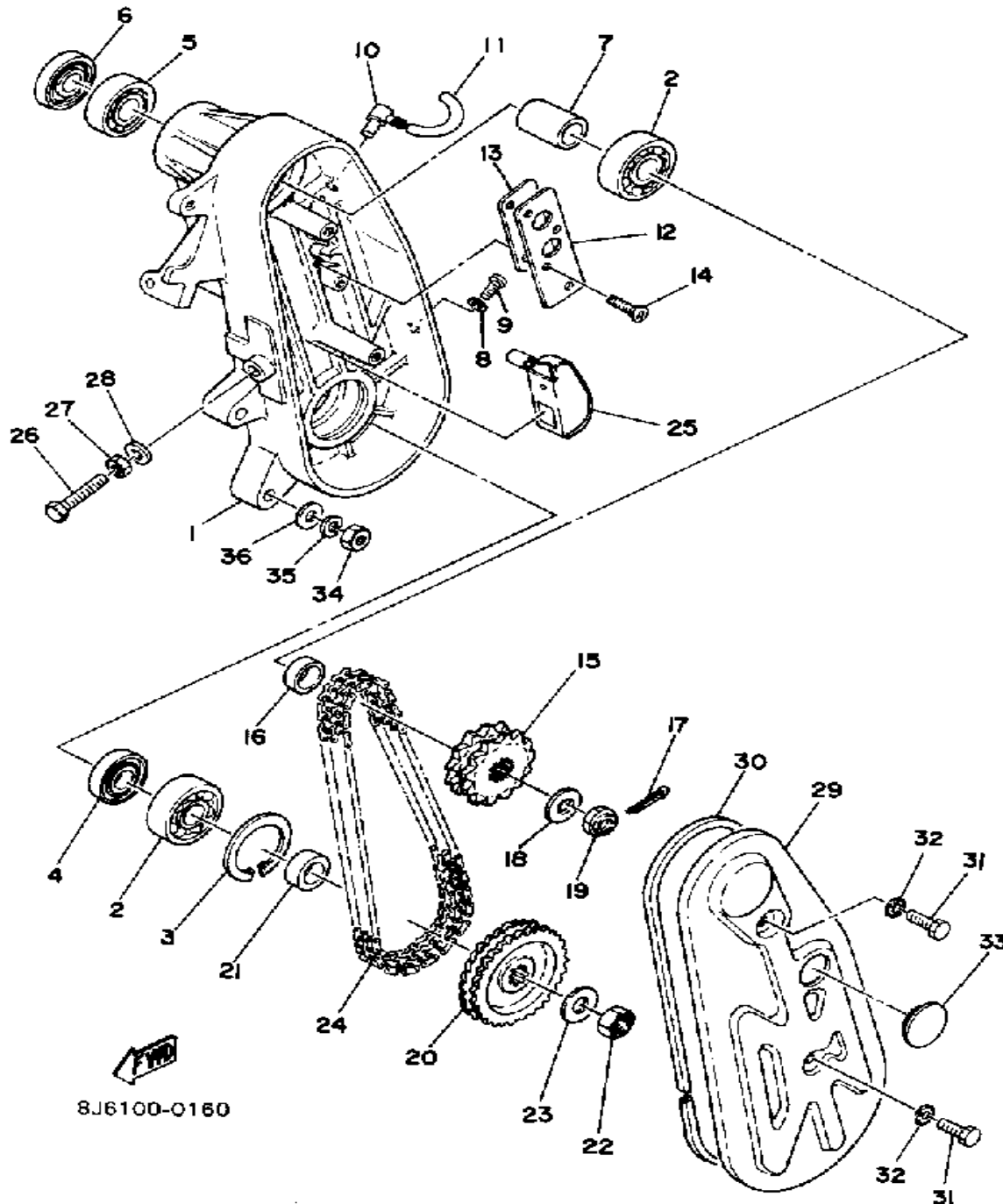
TRACK DRIVE 1



Ref. No.	Part Number	Description	Qty	Remarks
1	8G8-W4751-00-00	AXLE, FRONT	1	
2	8H9-47531-00-00	WHEEL, SPROCKET 1	2	
3	90460-50079-00	CLAMP, HOSE	2	
4	8F3-47551-00-00	HOUSING, FRONT AXLE	1	
5	8G5-47551-01-00	HOUSING, FRONT AXLE	1	
6	93306-00441-00	BEARING (89A) (B6004RS) ...	1	
7	90208-20008-00	WASHER, CONICAL SPRING ..	1	
8	90170-20211-00	NUT	1	
9	97011-08016-00	BOLT	3	
10	92902-08100-00	WASHER, SPRING	3	

Property of www.SmallEngineDiscount.com - Not for Resale

TRACK DRIVE 2

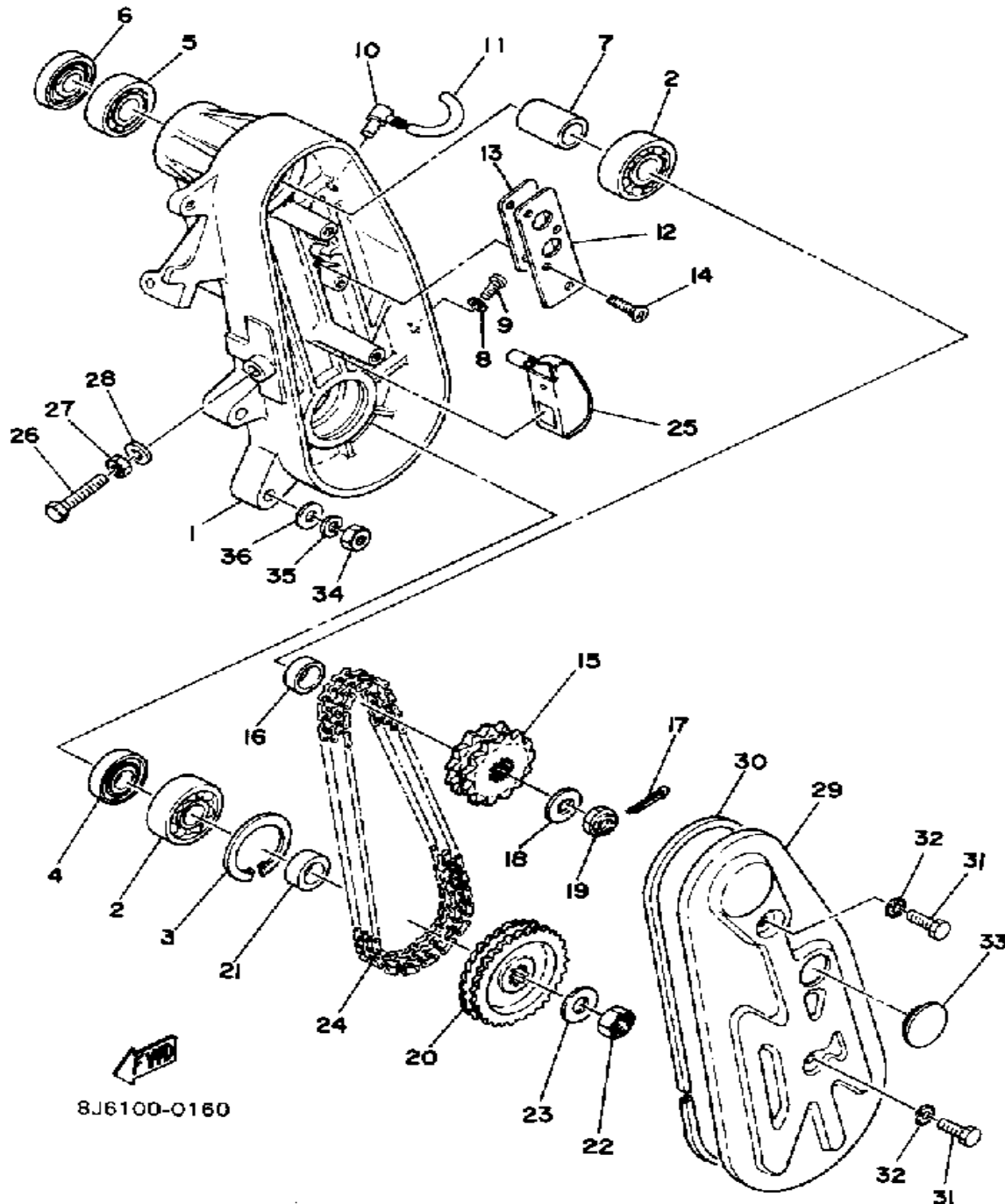


Ref. No.	Part Number	Description	Qty	Remarks
1	8F3-47541-00-00	HOUSING, CHAIN	1	
2	93306-30407-00	BEARING (B6304C3)	2	
3	99009-52500-00	CIRCLIP	1	
4	93102-20447-00	OIL SEAL	1	
5	93306-20458-00	BEARING	1	
6	93102-30083-00	SEAL, OIL	1	
7	90387-20580-00	COLLAR	1	
8	90430-06016-00	GASKET	1	
9	98580-06010-00	SCREW, PAN HEAD (92503-06010)	1	
10	583-15371-00-00	BREATHER	1	
11	90445-09055-00	HOSE	1	
12	8G8-47591-00-00	PLATE	1	
13	85T-47592-00-00	GASKET	1	
14	98702-05014-00	SCREW, FLAT HEAD	4	
15	812-17682-10-00	SPROCKET, CHAIN DRIVE (11T)	1	ALTERNATE PART
	812-17682-20-00	SPROCKET, CHAIN DRIVE (12T)	1	ALTERNATE PART
	812-17682-30-00	SPROCKET, CHAIN DRIVE (13T)	1	U.R. STD
	812-17682-40-00	SPROCKET, CHAIN DRIVE (14T)	1	ALTERNATE PART
16	90387-19579-00	COLLAR	1	
17	91401-25030-00	PIN, COTTER	1	
18	90201-122H1-00	WASHER, PLATE	1	
19	90185-12119-00	NUT, SELF-LOCKING	1	
20	8F3-47548-10-00	SPROCKET, CHAIN DRIVEN (21T)	1	ALTERNATE PART
	8F3-47548-20-00	SPROCKET, CHAIN DRIVEN (22T)	1	U.R. STD

CONTINUED ON NEXT FRAME ►

Property of www.SmallEngineDiscount.com - Not for Resale

TRACK DRIVE 2

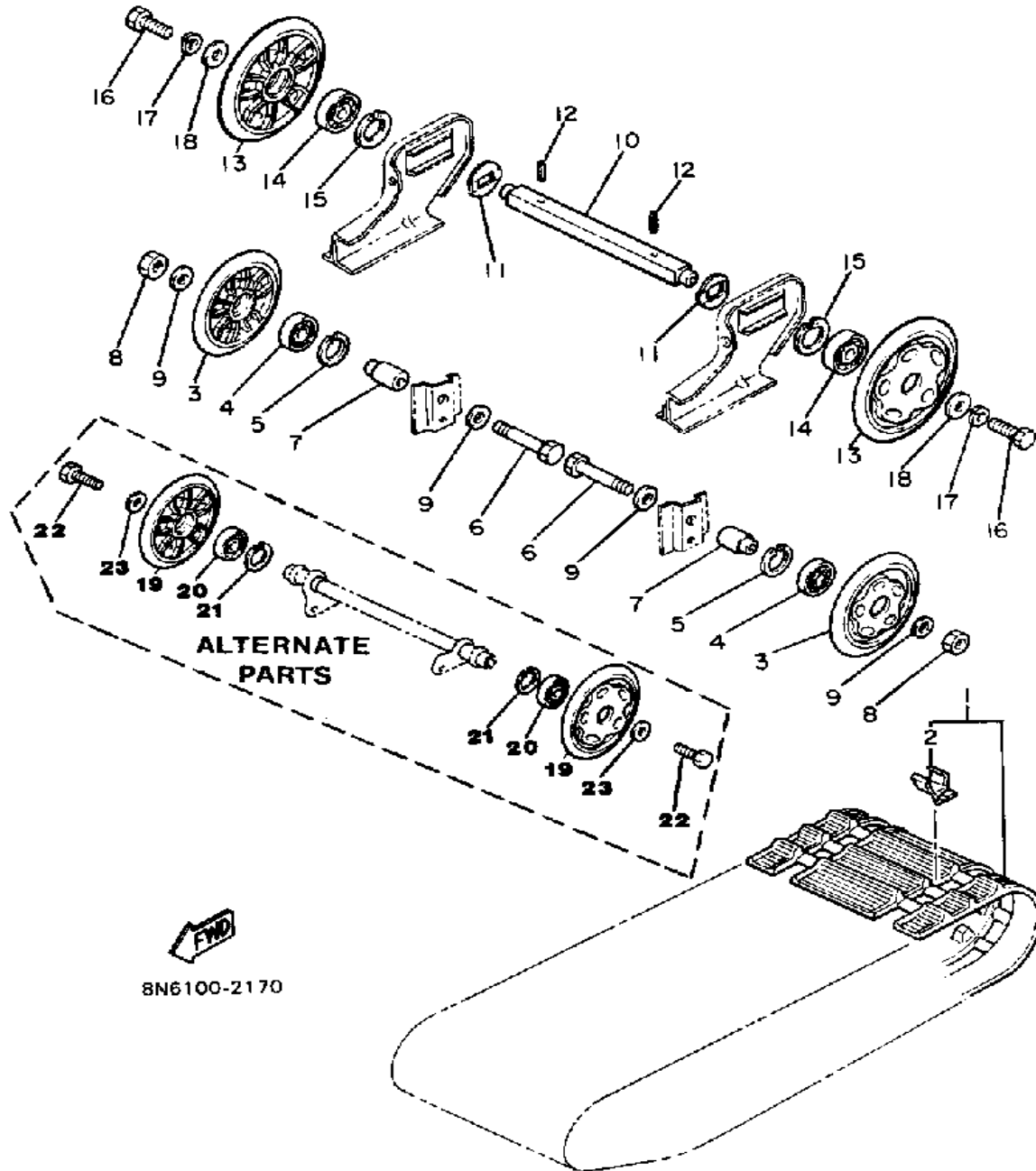


Ref. No.	Part Number	Description	Qty	Remarks
20	8F3-47548-30-00	SPROCKET, CHAIN DRIVEN (23T)	1	ALTERNATE PART
	8F3-47548-40-00	SPROCKET, CHAIN DRIVEN (24T)	1	ALTERNATE PART
21	90387-20155-00	COLLAR	1	
22	95601-10100-00	NUT, U (95602-10100-00)	1	
23	90201-10437-00	WASHER, PLATE	1	
24	94580-01060-00	CHAIN (DID40K 60L)	1	
25	8F3-47611-02-00	TENSIONER	1	
26	90101-10357-00	BOLT	1	
27	95303-10700-00	NUT	1	
28	90210-10004-00	WASHER, SEAL	1	
29	8F3-47543-00-00	CAP, HOUSING	1	
30	8F3-47558-00-00	RING, HOUSING (97302-08020)	1	
31	97313-08020-00	BOLT, HEXAGON	2	
32	90210-08002-00	WASHER, SEAL	2	
33	148-22315-00-00	CAP	1	
34	95333-08600-00	NUT	4	
35	92902-08100-00	WASHER, SPRING	4	
36	92990-08200-00	WASHER, PLAIN	4	

Property of www.SmallEngineDiscount.com - Not for Resale

B10

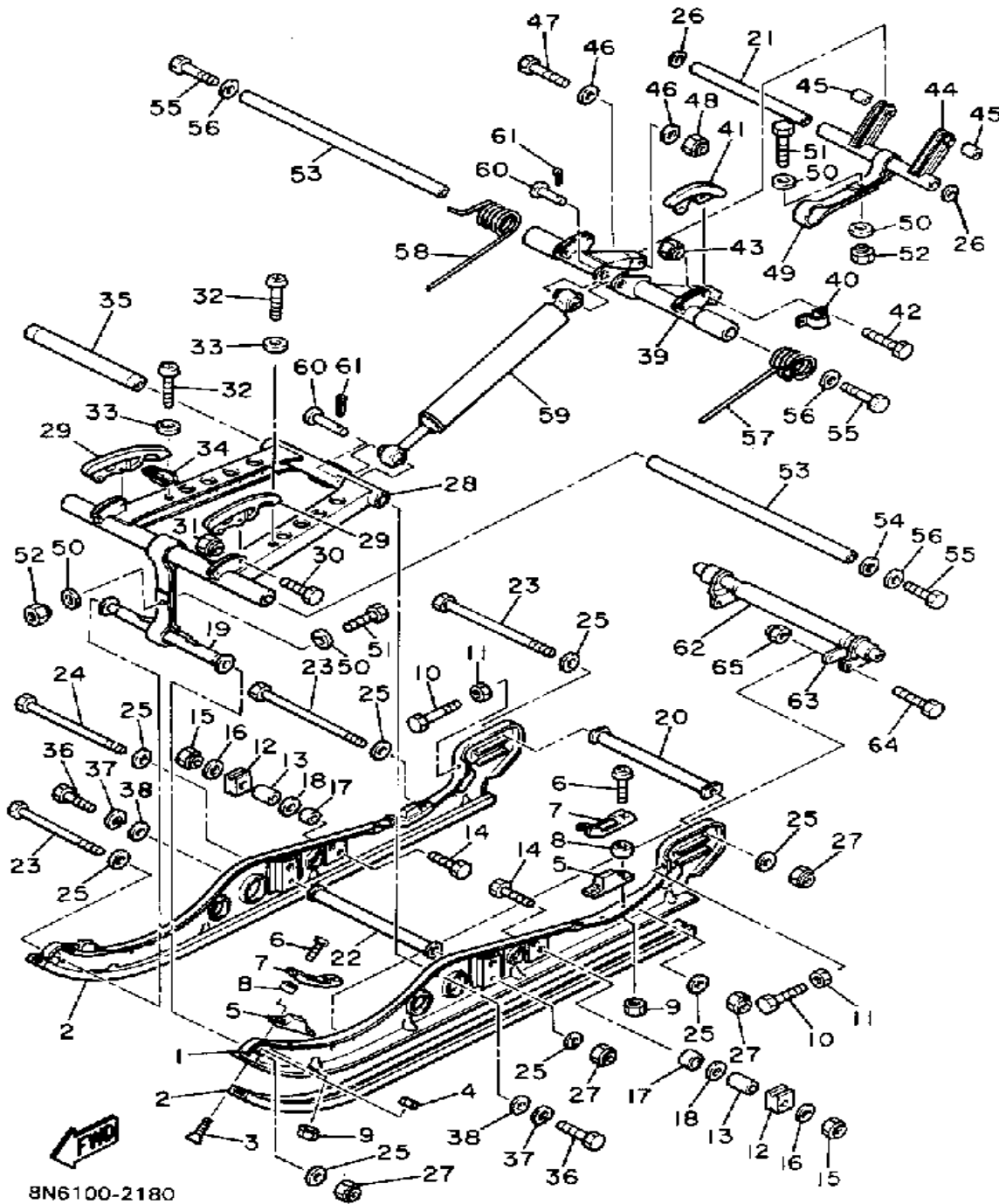
TRACK SUSPENSION 1



Ref. No.	Part Number	Description	Qty	Remarks
1	8H9-47110-00-00	TRACK ASSEMBLY	1	
2	8A5-47115-00-00	. METAL, SLIDE	62	
3	87M-47320-00-00	SUSPENSION WHEEL COMP. .	2	
4	93306-00441-00	BEARING (89A) (B6004RS) ...	2	
5	99009-42500-00	CIRCLIP	2	
6	90101-12356-00	BOLT	2	
7	90387-12584-00	COLLAR	2	
8	95712-12300-00	2	2	
9	92990-12200-00	WASHER, PLAIN	4	
10	8F3-47521-00-00	AXLE, REAR	1	
11	90209-23152-00	WASHER, SPEC'L SHAP	2	
12	91609-40040-00	PIN, SPRING	2	
13	8L4-47530-00-00	GUIDE WHEEL COMP.	2	
14	93306-20417-00	BEARING (B62042RS)	2	
15	99009-47500-00	CIRCLIP	2	
16	97313-08020-00	BOLT, HEXAGON	2	
17	92990-08100-00	WASHER	2	
18	90201-083A8-00	WASHER, PLATE	2	
19	87M-47320-00-00	SUSPENSION WHEEL COMP. .	2	ALTERNATE DRIVE PARTS
20	93306-00441-00	BEARING (89A) (B6004RS) ...	2	
21	99009-42500-00	CIRCLIP	2	
22	90109-08559-00	BOLT	2	
23	90201-08681-00	WASHER, PLATE	2	

Property of www.SmallEngineDiscount.com - Not for Resale

TRACK SUSPENSION 2



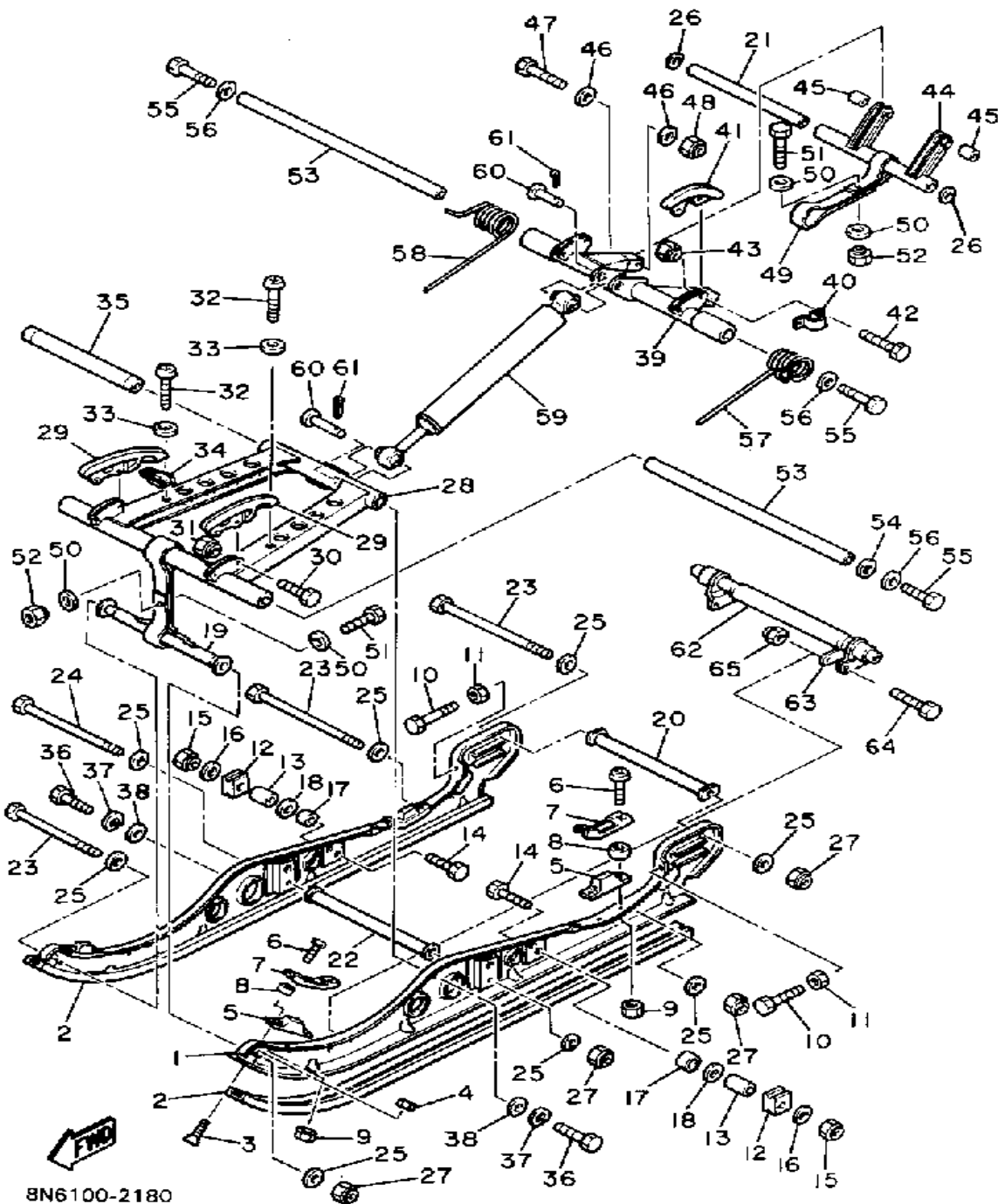
8N6100-2180

Ref. No.	Part Number	Description	Qty	Remarks
1	8G5-47411-00-00	FRAME, SLIDING 1	2	
2	8N4-47421-00-XX	RUNNER, SLIDING 1 (8F3-47421-10)	2	
3	90151-06010-00	SCREW, COUNTERSUNK	2	
4	90173-06006-00	NUT, SQUARE	2	
5	8F3-47456-00-00	DAMPER 1	4	
6	98580-05014-00	SCREW, PAN HEAD	8	
7	8F3-47458-00-00	PLATE, DAMPER	4	
8	90387-06022-00	COLLAR	8	
9	95380-05600-00	NUT	8	
10	90101-10293-00	BOLT	2	
11	90179-10279-00	NUT	2	
12	890-47447-00-00	HOOK 2	2	
13	90387-08262-00	COLLAR	2	
14	97321-08055-00	BOLT, HEXAGON	2	
15	95712-08300-00	NUT, LOCK	2	
16	90201-08748-00	WASHER, PLATE	2	
17	90387-12105-00	COLLAR	2	
18	90201-12749-00	WASHER, PLATE	2	
19	8G5-47415-00-00	BRACKET 1	1	
20	90387-08581-00	COLLAR	1	
21	90387-08632-00	COLLAR	1	
22	90387-08583-00	COLLAR	1	
23	97022-08250-00	BOLT	3	
24	97022-08260-00	BOLT, HEXAGON	1	
25	92901-08600-00	WASHER	8	
26	90201-08649-00	WASHER, PLATE	2	
27	95712-08300-00	NUT, LOCK	4	
28	8H9-47331-00-00	ARM, PIVOT 1	1	

CONTINUED ON NEXT FRAME ►

Property of www.SmallEngineDiscount.com - Not for Resale

TRACK SUSPENSION 2

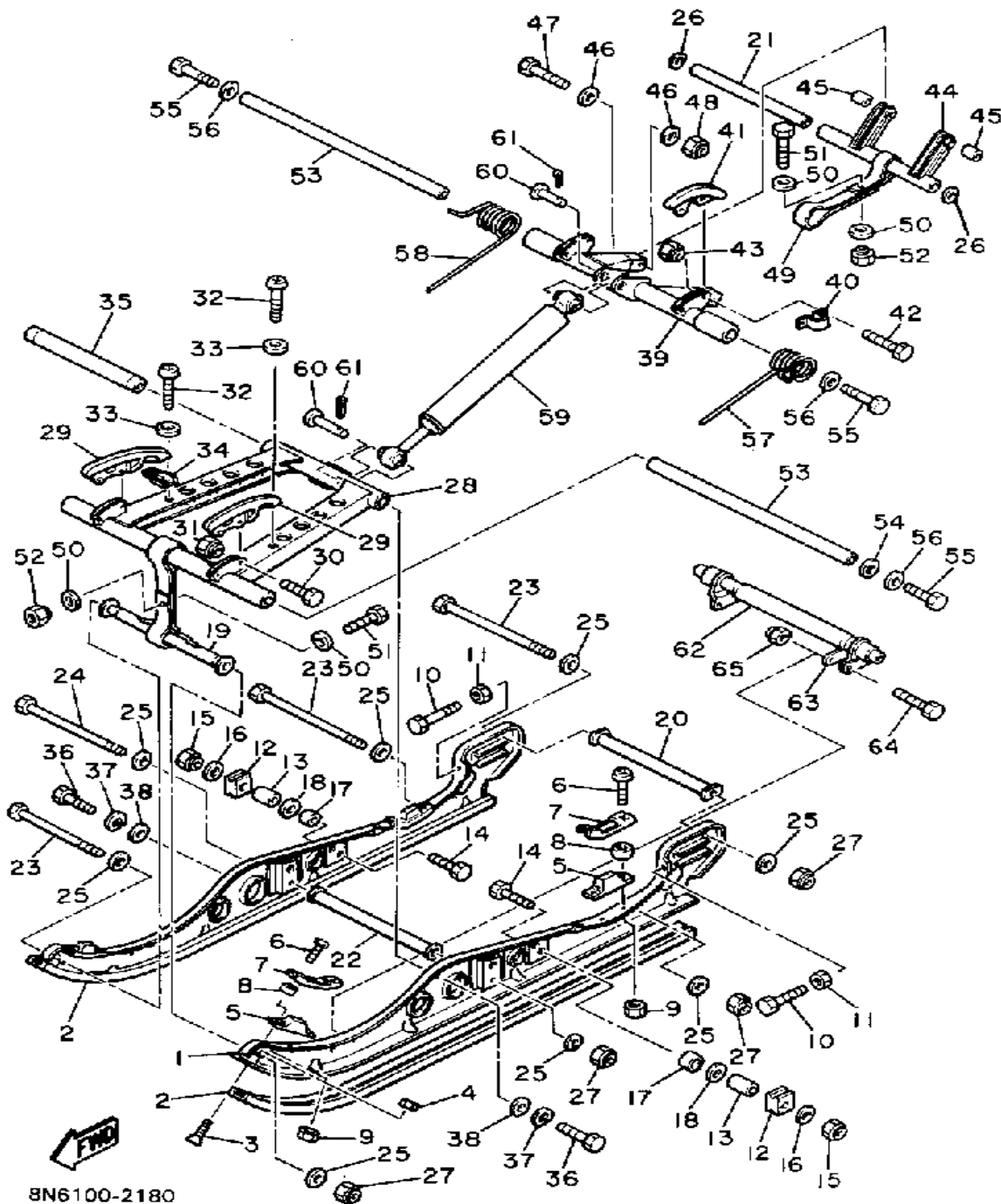


Ref. No.	Part Number	Description	Qty	Remarks
29	8G8-47422-00-00	RUNNER, SLIDING 2	2	
30	97011-06025-00	BOLT (97001-06025)	4	
31	95701-06300-00	NUT, NYLON	4	
32	98580-06020-00	SCREW	2	
33	90201-061A5-00	WASHER, PLATE	2	
34	8H9-47467-00-00	PLATE, GUIDE	1	
35	8G5-47485-00-00	SHAFT 3	1	
36	97013-10030-00	BOLT (8J7) (97303-10030)	2	
37	90208-10012-00	WASHER, CONICAL SPRING	2	
38	90201-10322-00	WASHER, PLATE	2	
39	8F3-47332-01-00	ARM, PIVOT 2	1	
40	(8F3-47349-01-00)	BRACKET, ARM PIVOT	2	
41	8F3-47422-01-00	RUNNER, SLIDING 2	2	
42	97011-06025-00	BOLT (97001-06025)	4	
43	95701-06300-00	NUT, NYLON	4	
44	8G5-47417-00-00	BRACKET 3	1	
45	90387-08508-00	COLLAR	2	
46	90201-08649-00	WASHER, PLATE	4	
47	97313-08045-00	BOLT	2	
48	95712-08300-00	NUT, LOCK	2	
49	8F3-47495-00-00	STOPPER 1	2	
50	90201-06407-00	WASHER, PLATE (90201-06747-00)	4	
51	97011-06025-00	BOLT (97001-06025)	2	
52	95701-06300-00	NUT, NYLON	2	
53	8A5-47465-02-00	SHAFT 1	2	
54	8U7-47341-00-00	SPACER	2	
55	97013-10030-00	BOLT (8J7) (97303-10030)	4	
56	90208-10012-00	WASHER, CONICAL SPRING	4	

CONTINUED ON NEXT FRAME ➤

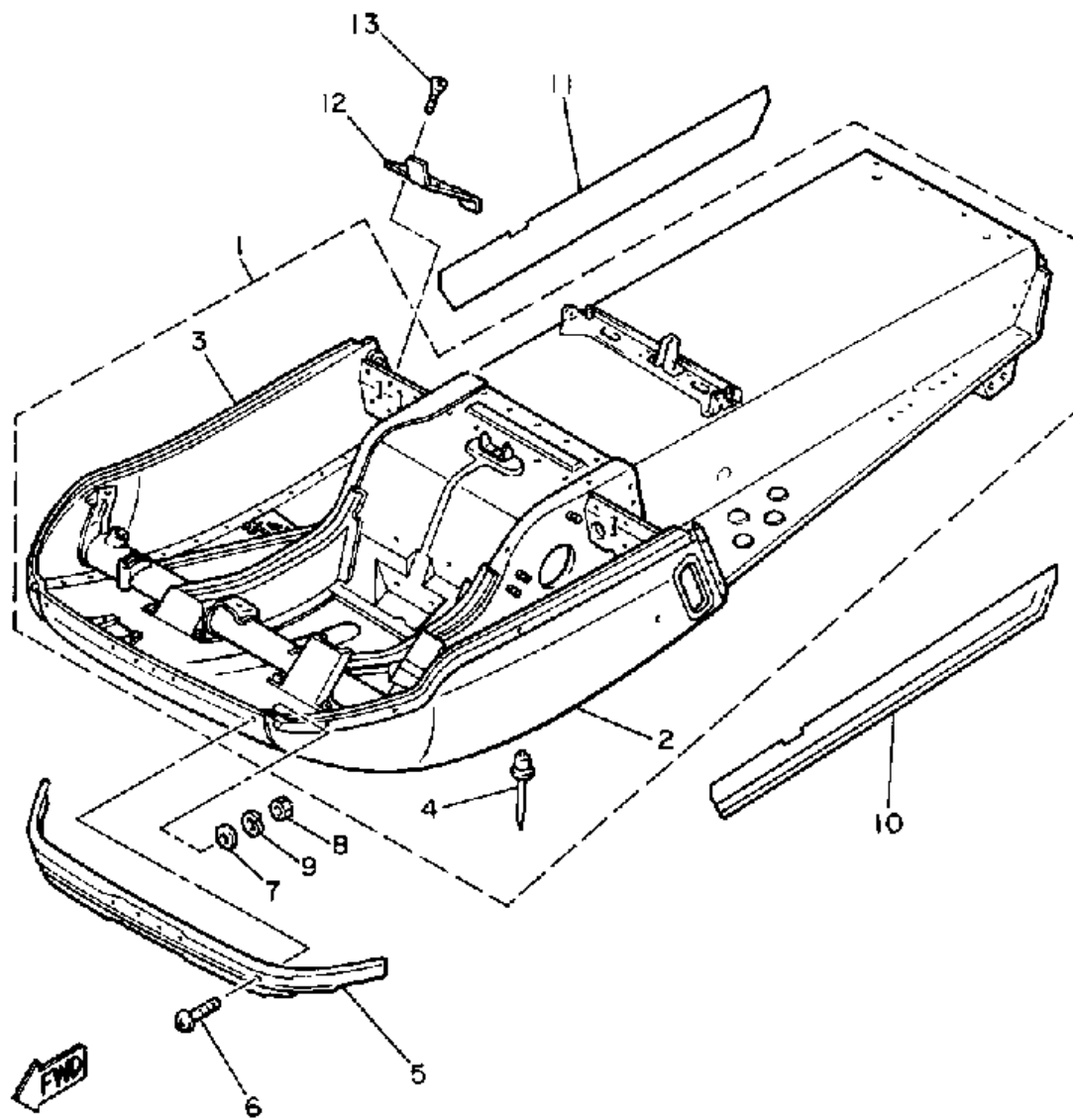
Property of www.SmallEngineDiscount.com - Not for Resale

TRACK SUSPENSION 2



Ref. No.	Part Number	Description	Qty	Remarks
57	90508-10337-00	SPRING, TORSION	1	
58	90508-10338-00	SPRING, TORSION	1	
59	8H9-47480-00-00	SHOCK ABSORBER	1	
60	90240-12115-00	PIN, CLEVIS	2	
61	91401-30030-00	PIN, COTTER	2	
62	8N4-47451-00-00	BAR, SUSPENSION	1	
63	8G5-47466-00-00	SPACER	2	
64	97313-08030-00	BOLT, HEXAGON	4	
65	95712-08300-00	NUT, LOCK	4	

Property of www.SmallEngineDiscount.com - Not for Resale



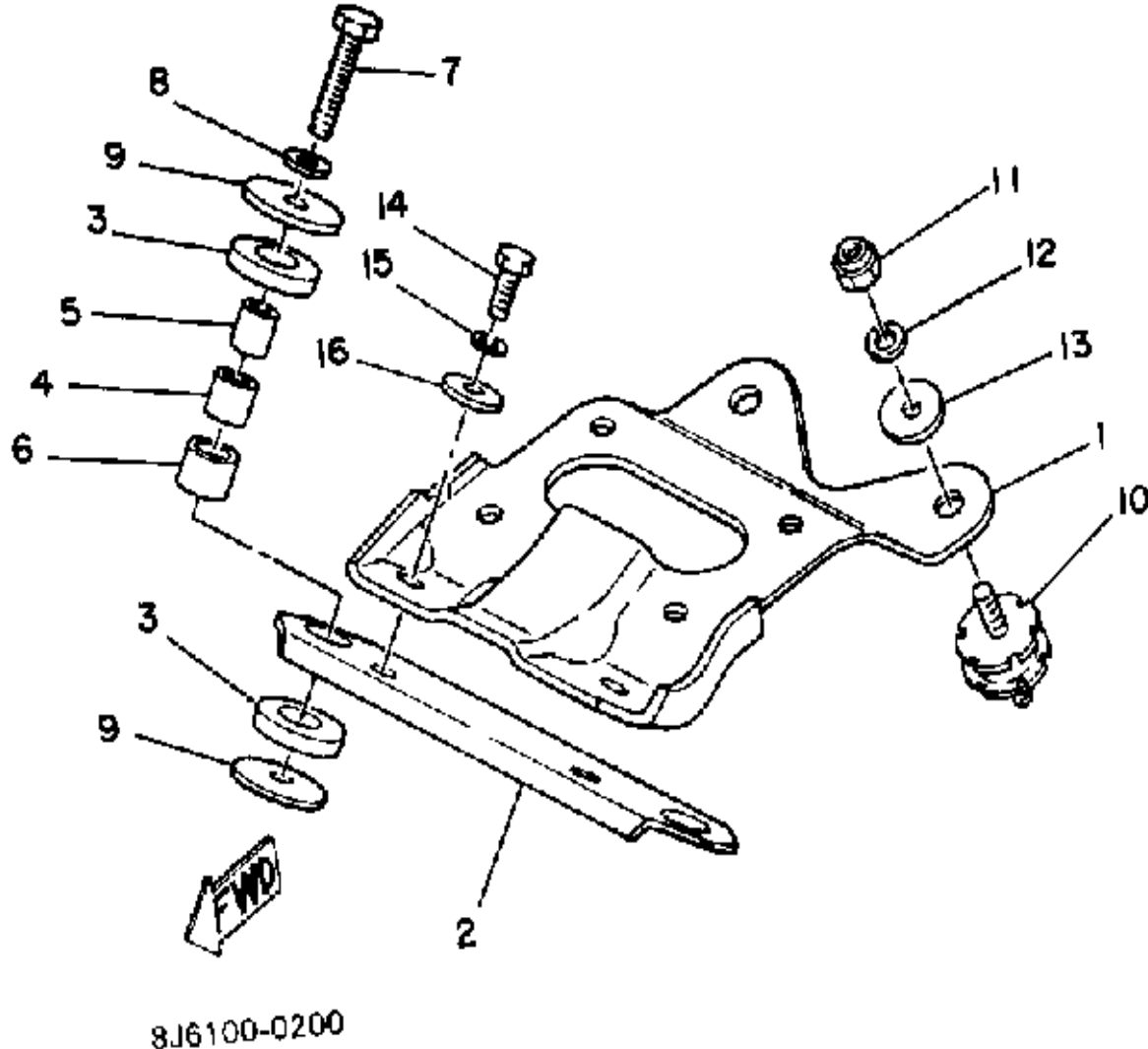
8T5100-3190

FRAME

Ref. No.	Part Number	Description	Qty	Remarks
1	(8N6-21910-00-00)	FRAME	1	
2	8N6-21982-00-00	. HOOD 1	1	
3	8N6-21983-00-00	. HOOD 2	1	
4	90267-48057-00	. RIVET, BLIND	34	
5	8G8-21986-00-00	RNFCMNT, FRAME 1	1	
6	98906-06016-00	SCREW, BIND	6	
7	90201-06M08-00	WASHER, PLATE	6	
8	95380-06600-00	NUT	6	
9	92995-06100-00	WASHER, SPRING	6	
10	8T5-77354-00-00	EMBLEM 4	1	
11	8T5-77355-00-00	EMBLEM 5	1	
12	8T7-21961-00-00	PATCH 1	1	
13	98906-06008-00	SCREW, BIND	2	

Property of www.SmallEngineDiscount.com - Not for Resale

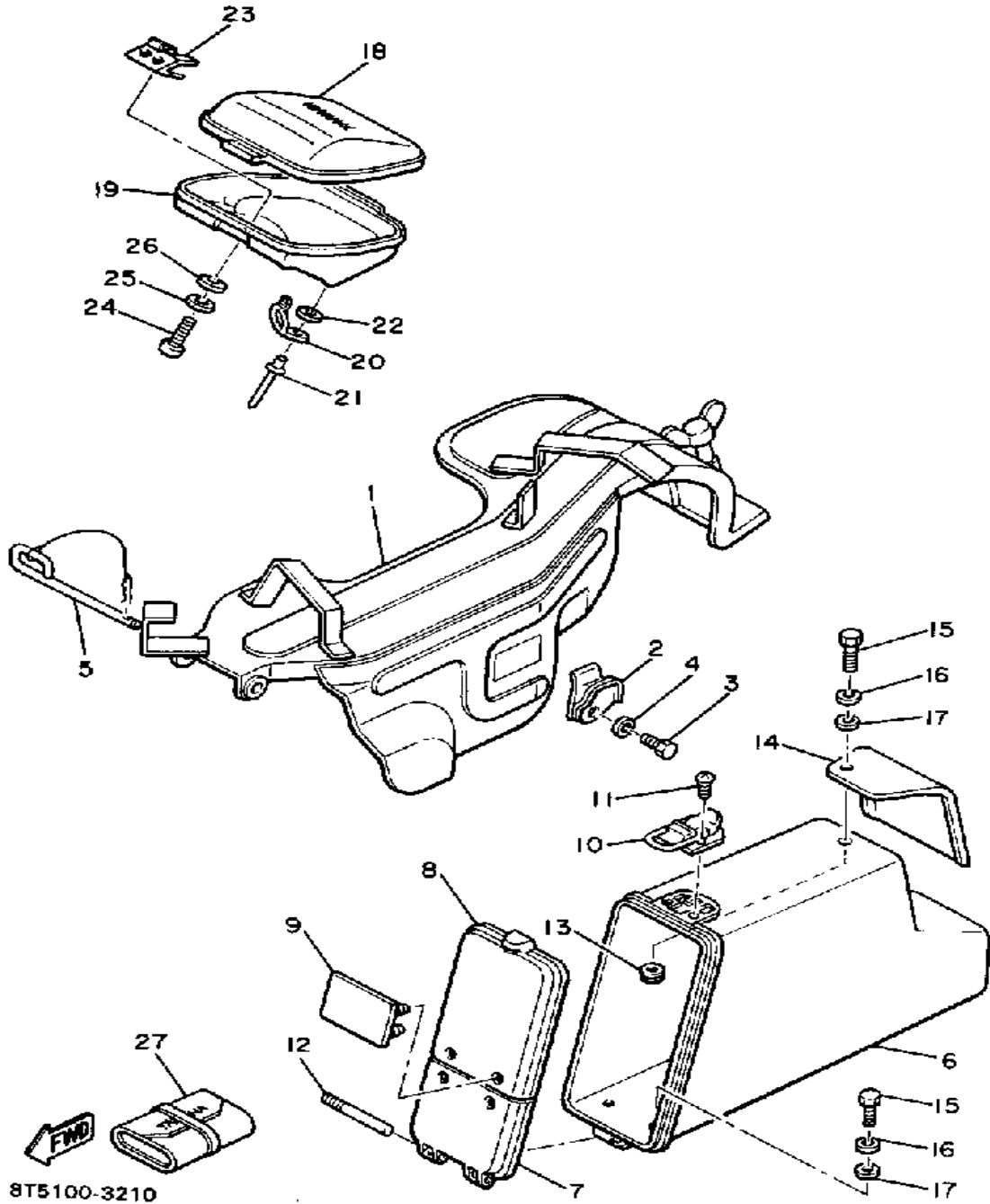
ENGINE BRACKET



Ref. No.	Part Number	Description	Qty	Remarks
1	8G8-21411-00-00	BRACKET, ENGINE 1	1	
2	8G8-21419-00-00	BRACKET, ENGINE 2	1	
3	8A5-21485-00-00	DAMPER, RUBBER 1	4	
4	90385-15025-00	BUSH, SPEC'L RUBBER	2	
5	90387-10514-00	COLLAR	2	
6	90387-21515-00	COLLAR	2	
7	97313-10050-00	BOLT, HEXAGON (676)	2	
8	92990-10100-00	WASHER, SPRING	2	
9	90201-10151-00	WASHER, PLATE	4	
10	8F3-21486-00-00	DAMPER 2	2	
11	95380-10600-00	NUT	2	
12	92990-10100-00	WASHER, SPRING	2	
13	90201-10321-00	WASHER, PLATE	2	
14	97011-10025-00	BOLT	2	
15	92990-10100-00	WASHER, SPRING	2	
16	90201-10639-00	WASHER, PLATE	2	

Property of www.SmallEngineDiscount.com - Not for Resale

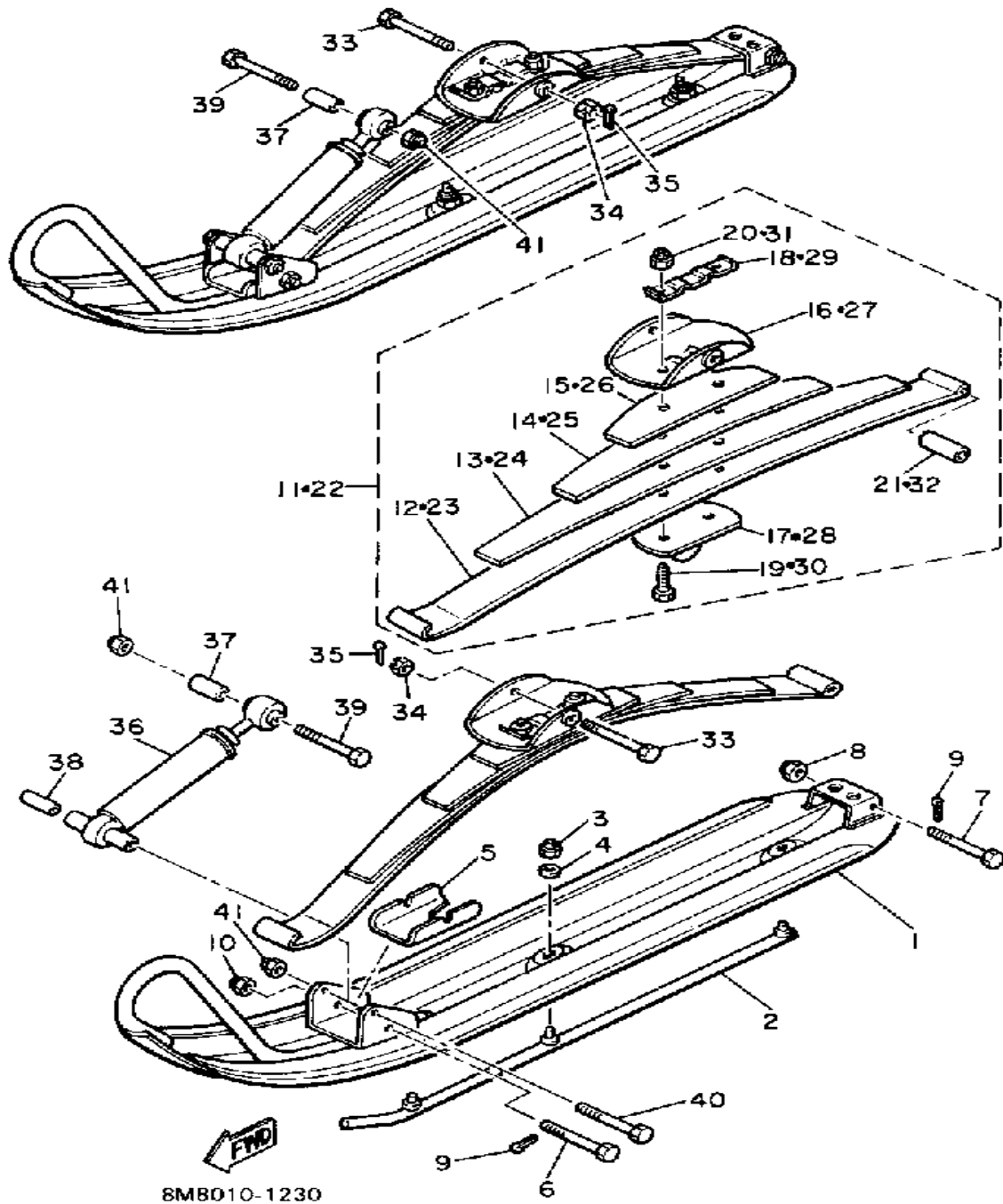
GUARD - LUGGAGE BOX



Ref. No.	Part Number	Description	Qty	Remarks
1	8H9-77311-00-00	GUARD, DRIVE	1	
2	8F3-77323-00-00	PROTECTOR, DRIVE	1	
3	97011-08016-00	BOLT	1	
4	92902-08100-00	WASHER, SPRING	1	
5	8F3-77327-00-00	SHAFT	1	
6	(8G8-77391-00-00)	LUGGAGE BOX	1	
7	(8H5-77392-00-00)	COVER, LUGGAGE BOX	1	
8	(8H5-77377-00-00)	COVER, LUGGE BOX 2	1	
9	(8H5-77395-00-00)	HINGE, LUGGAGE BOX	1	
10	8E7-77340-00-00	LUGGE BOX LTCH ASSEMBLY	1	
11	98702-03008-00	SCREW, FLAT HEAD	3	
12	(90249-03128-00)	PIN, SPEC'L SHAPE	1	
13	(90179-06254-00)	NUT, SPEC'L SHAPE	1	
14	(8G8-77397-00-00)	STAY 1	1	
15	97313-06016-00	BOLT, HEXAGON	3	
16	92995-06100-00	WASHER, SPRING	3	
17	90201-06M08-00	WASHER, PLATE	3	
18	1T4-2177E-00-00	LID	1	
19	1T4-2177A-00-00	BOX	1	
20	8K4-77386-00-00	HOOK 1	1	
21	90267-48086-00	RIVET, BLIND	1	
22	90201-04325-00	WASHER, PLATE	1	
23	8T5-77376-00-00	BRACKET, SPARK PLUG	1	
24	98503-06014-00	SCREW, PAN HEAD (92502-06016)	1	
25	92995-06100-00	WASHER, SPRING	1	
26	90201-061A5-00	WASHER, PLATE	1	
27	8F3-28100-00-00	TOOL KIT	1	

Property of www.SmallEngineDiscount.com - Not for Resale

SKI

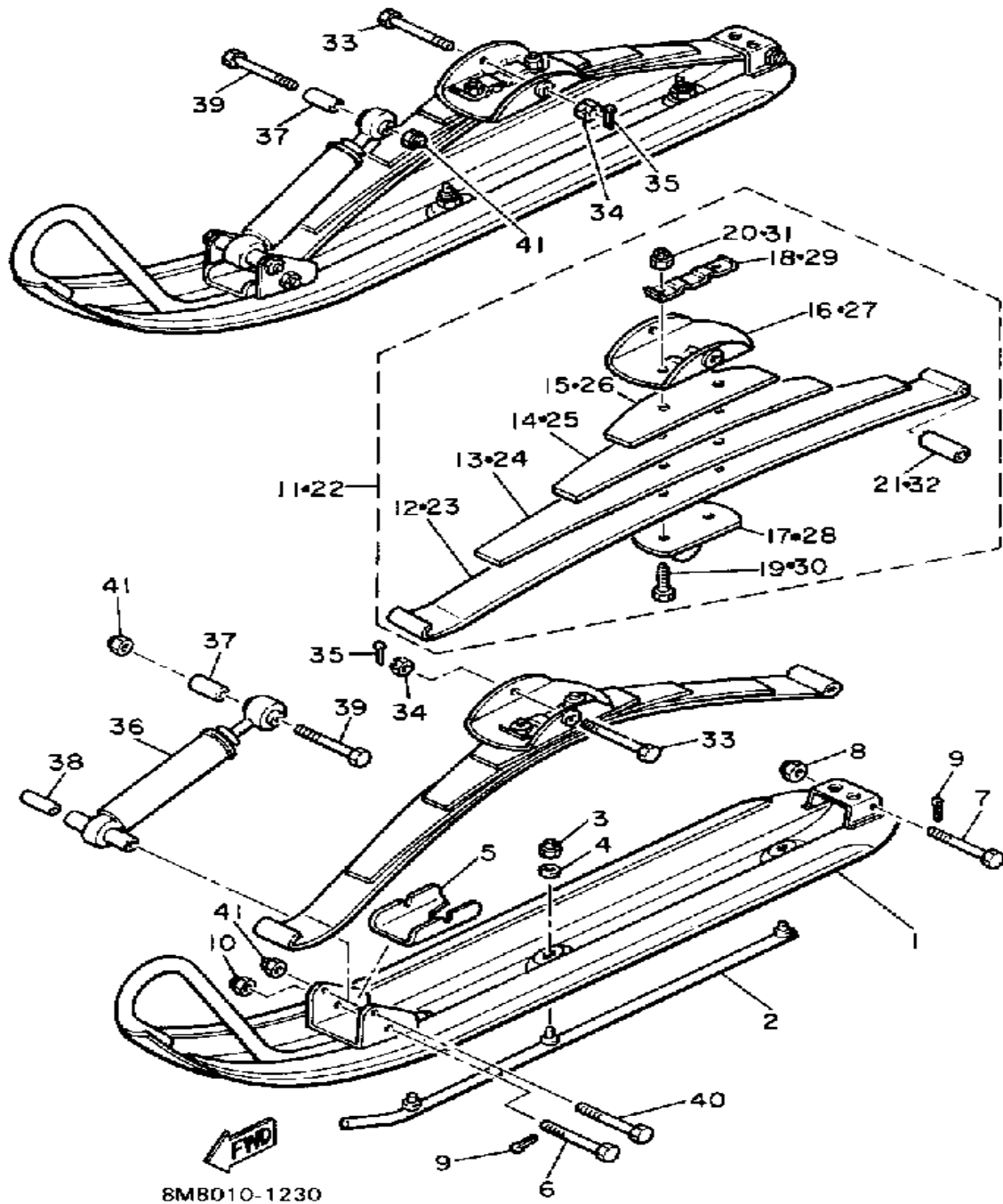


Ref. No.	Part Number	Description	Qty	Remarks
1	8F3-23710-01-00	SKI 1 (888-23731-01)	2	
2	888-23731-01-XX	SKI RUNNER, 1	2	
3	95712-08300-00	NUT, LOCK	6	
4	92906-08200-00	WASHER	6	
5	8F3-23735-00-00	PLATE, WEAR 1	2	
6	90102-08028-00	BOLT, WITH HOLE	2	
7	90102-08027-00	BOLT, WITH HOLE	2	
8	95712-08300-00	NUT, LOCK	2	
9	91490-20020-00	PIN, COTTER	4	
10	95611-08100-00	NUT, U	2	
11	8H9-23760-00-00	SPRING ASSEMBLY 1	1	
12	888-23761-00-00	. LEAF 1	1	
13	865-23762-00-00	. LEAF 2	1	
14	888-23763-00-00	. LEAF 3	1	
15	865-23771-00-00	. LEAF 5	1	
16	806-23766-00-00	. SADDLE 1	1	
17	878-23768-00-00	. SEAT, SPRING 1	1	
18	90215-10155-00	. WASHER, LOCK	1	
19	90109-105E1-00	. BOLT	2	
20	90185-10085-00	. NUT, SELF-LOCKING	2	
21	90387-08478-00	. COLLAR	1	
22	8H9-23770-00-00	SPRING ASSEMBLY 2	1	
23	888-23761-00-00	. LEAF 1	1	
24	865-23762-00-00	. LEAF 2	1	
25	888-23763-00-00	. LEAF 3	1	
26	865-23771-00-00	. LEAF 5	1	
27	806-23766-00-00	. SADDLE 1	1	
28	878-23768-00-00	. SEAT, SPRING 1	1	
29	90215-10155-00	. WASHER, LOCK	1	

CONTINUED ON NEXT FRAME ►

Property of www.SmallEngineDiscount.com - Not for Resale

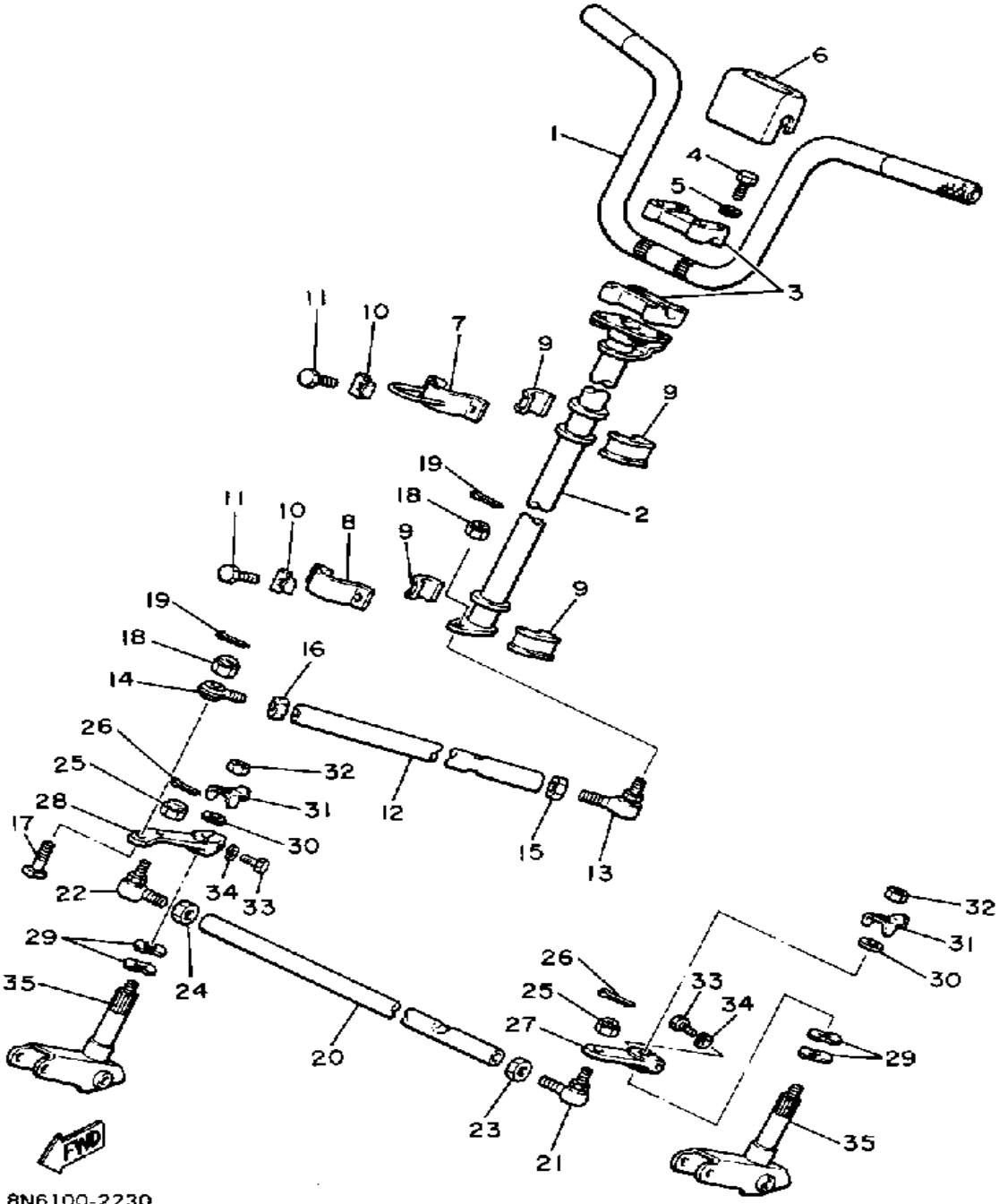
SKI



Ref. No.	Part Number	Description	Qty	Remarks
30	90109-105E1-00	. BOLT	2	
31	90185-10085-00	. NUT, SELF-LOCKING	2	
32	90387-08478-00	. COLLAR	1	
33	90102-10023-00	BOLT, WITH HOLE	2	
34	95306-10900-00	NUT, SLOTTED	2	
35	91401-25020-00	PIN, COTTER	2	
36	8J5-23350-00-00	SHOCK ABSORBER ASSEMBLY	2	
37	90387-08262-00	COLLAR	2	
38	90387-08224-00	COLLAR	2	
39	97313-08055-00	BOLT, HEXAGON	2	
40	97301-08070-00	BOLT	2	
41	95712-08300-00	NUT, LOCK	4	

Property of www.SmallEngineDiscount.com - Not for Resale

STEERING



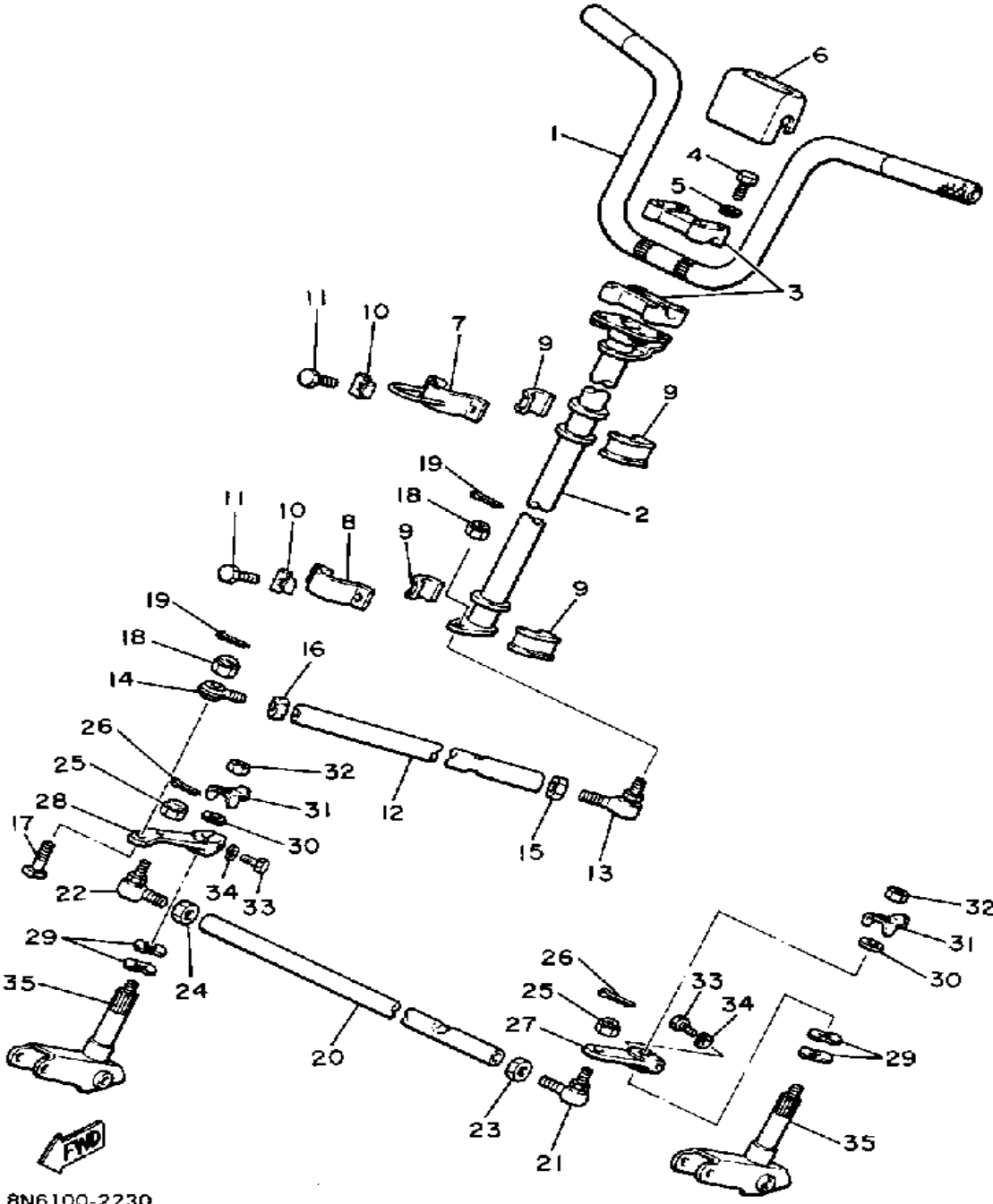
8N6100-2230

Ref. No.	Part Number	Description	Qty	Remarks
1	8G8-23811-00-00	COLUMN, STEERING	1	
2	8G8-23813-00-00	COLUMN, STEERING 2	1	
3	164-23441-00-98	HOLDER, HANDLE UPPER	2	
4	97321-08055-00	BOLT, HEXAGON	4	
5	92902-08100-00	WASHER, SPRING	4	
6	8F3-23818-00-00	COVER, STEERING	1	
7	84M-23872-00-00	HOLDER, BEARING	1	
8	84M-23868-00-00	BRACKET, STEERING LOWER	1	
9	8F3-23812-00-00	PLANE BEARING, STEERING	4	
10	90215-08262-00	WASHER, LOCK	4	
11	97313-08016-00	BOLT, HEXAGON	4	
12	8G8-23821-00-00	ROD, STEERING RELAY	1	
13	86X-23841-00-00	JOINT, UNIVERSAL 1	1	
14	87S-23847-00-00	JOINT, UNIVERSAL 3	1	
15	95303-10700-00	NUT	1	
16	90170-10186-00	NUT	1	
17	90109-10482-00	BOLT	1	
18	95701-10300-00	NUT, FLANGE (95702-10300)	2	
19	91490-20020-00	PIN, COTTER	2	
20	8G8-23831-00-00	ROD, TIE	1	
21	86X-23841-00-00	JOINT, UNIVERSAL 1	1	
22	86X-23845-00-00	JOINT, UNIVERSAL 2	1	
23	95303-10700-00	NUT	1	
24	90170-10186-00	NUT	1	
25	95701-10300-00	NUT, FLANGE (95702-10300)	2	
26	91490-20020-00	PIN, COTTER	2	
27	8F3-23851-00-00	ARM, OUTSIDE 1	1	
28	8F3-23852-00-00	ARM, OUTSIDE 2	1	
29	90206-20037-00	WASHER, WAVE	4	

CONTINUED ON NEXT FRAME ➤

Property of www.SmallEngineDiscount.com - Not for Resale

STEERING

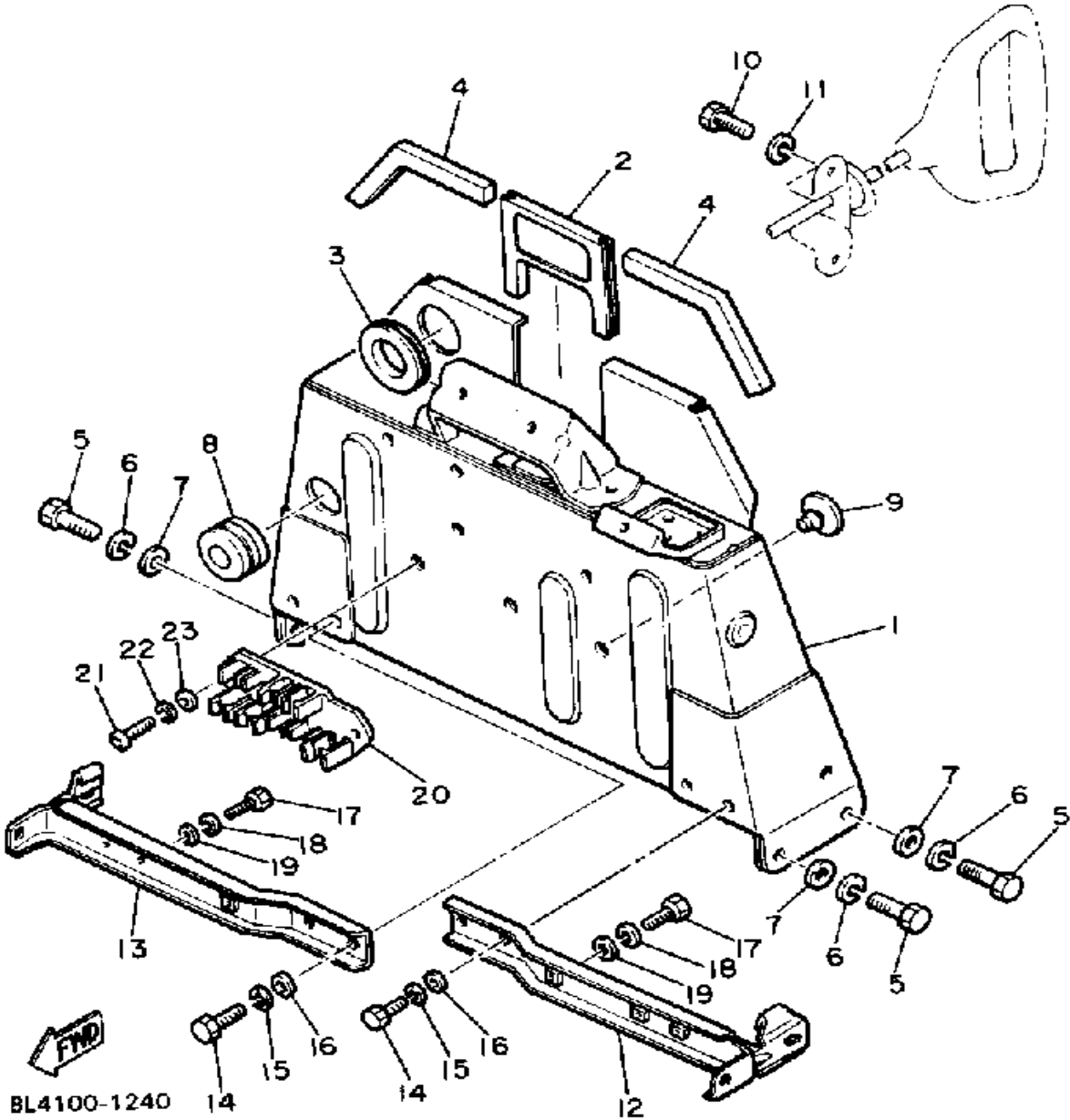


8N6100-2230

Ref. No.	Part Number	Description	Qty	Remarks
30	90201-10752-00	WASHER, PLATE	2	
31	90215-10096-00	WASHER, LOCK	2	
32	95303-10600-00	NUT (95301-10600)	2	
33	97001-08025-00	BOLT (1NV)	2	
34	92902-08100-00	WASHER, SPRING	2	
35	8F3-23853-00-00	COLUMN, SKI 1	2	

Property of www.SmallEngineDiscount.com - Not for Resale

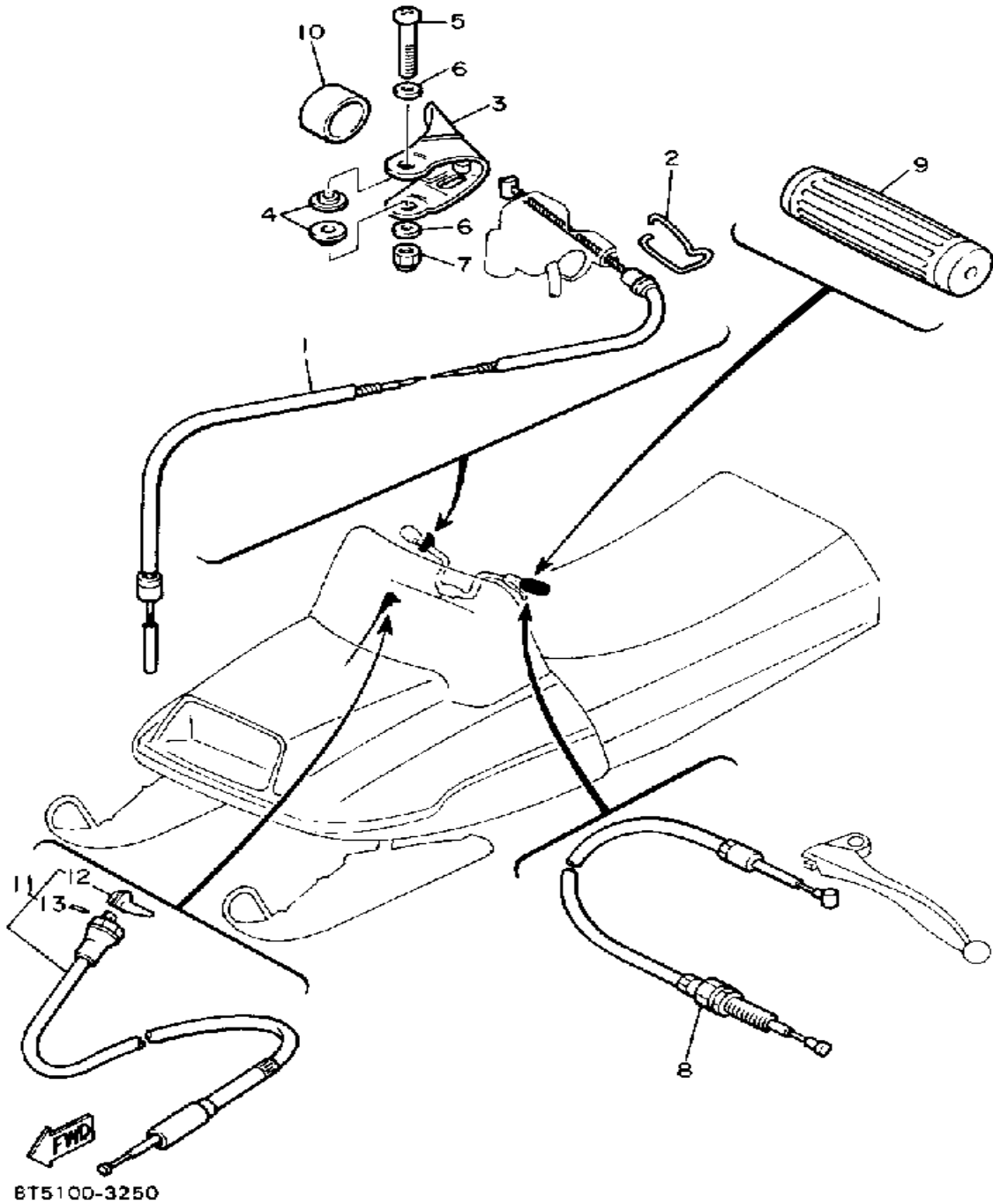
STEERING GATE



Ref. No.	Part Number	Description	Qty	Remarks
1	(8K3-23871-00-00)	GATE, STEERING	1	
2	(8G8-23874-00-00)	HOLDER, WIRE	1	
3	90480-40047-00	GROMMET	1	
4	(8G8-77319-00-00)	DAMPER 1	2	
5	97313-08018-00	BOLT, HEXAGON (97301-08016)	4	
6	92990-08100-00	WASHER	4	
7	92901-08600-00	WASHER	4	
8	90480-28191-00	GROMMET	1	
9	90338-09085-00	PLUG, SPEC'L SHAPE	3	
10	97013-06012-00	BOLT	2	
11	92995-06100-00	WASHER, SPRING	2	
12	8G5-23898-00-00	BRACKET 3	1	
13	8G5-23899-00-00	BRACKET 4	1	
14	97013-06012-00	BOLT	4	
15	92995-06100-00	WASHER, SPRING	4	
16	90201-061A5-00	WASHER, PLATE	4	
17	97301-06014-00	BOLT, HEXAGON	6	
18	92995-06100-00	WASHER, SPRING	6	
19	90201-065F3-00	WASHER, PLATE	4	
20	8F3-21794-00-00	HOLDER, COUPLER	1	
21	98503-06014-00	SCREW, PAN HEAD (92502-06016)	2	
22	92995-06100-00	WASHER, SPRING	2	
23	92990-06200-00	WASHER	2	

Property of www.SmallEngineDiscount.com - Not for Resale

CONTROL - CABLE

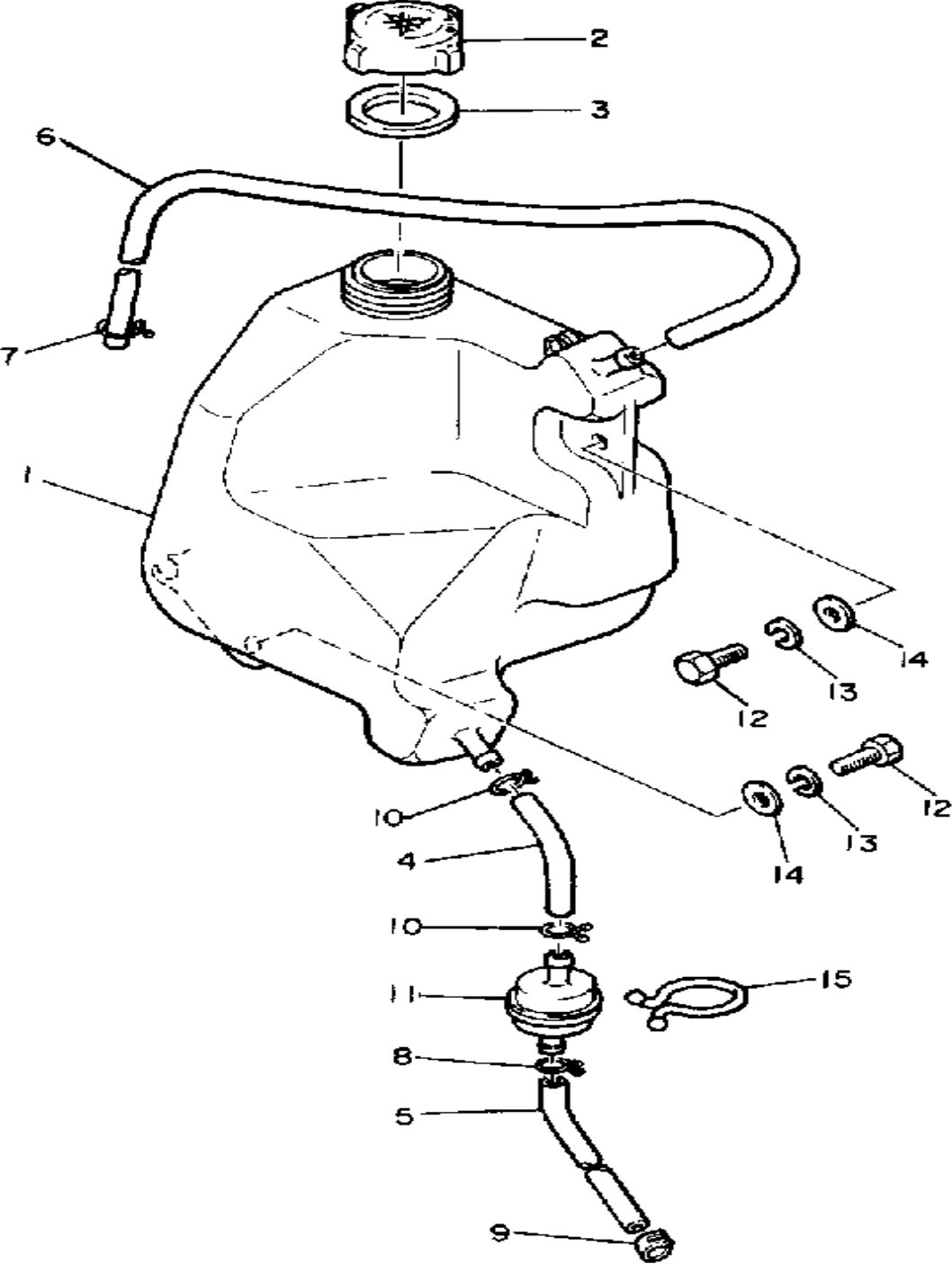


Ref. No.	Part Number	Description	Qty	Remarks
1	8F3-26311-00-00	CABLE, THROTTLE 1	1	
2	90468-10017-00	CLIP (821-26391-00)	1	
3	8J5-42138-00-00	LEVER, THROTTLE	1	
4	90387-06681-00	COLLAR	2	
5	98580-06550-00	SCREW PAN HEAD (92503-06050)	1	
6	90201-061A5-00	WASHER, PLATE	2	
7	95701-06300-00	NUT, NYLON	1	
8	8F3-26340-01-00	CABLE, BRAKE	1	
9	801-26241-01-00	GRIP	2	
10	90387-22726-00	COLLAR	1	
11	8L3-26331-00-00	CABLE, STARTER 1	1	
12	8L3-26374-00-00	. END, CABLE 3	1	
13	91609-30010-00	. PIN, SPRING	1	

Property of www.SmallEngineDiscount.com - Not for Resale

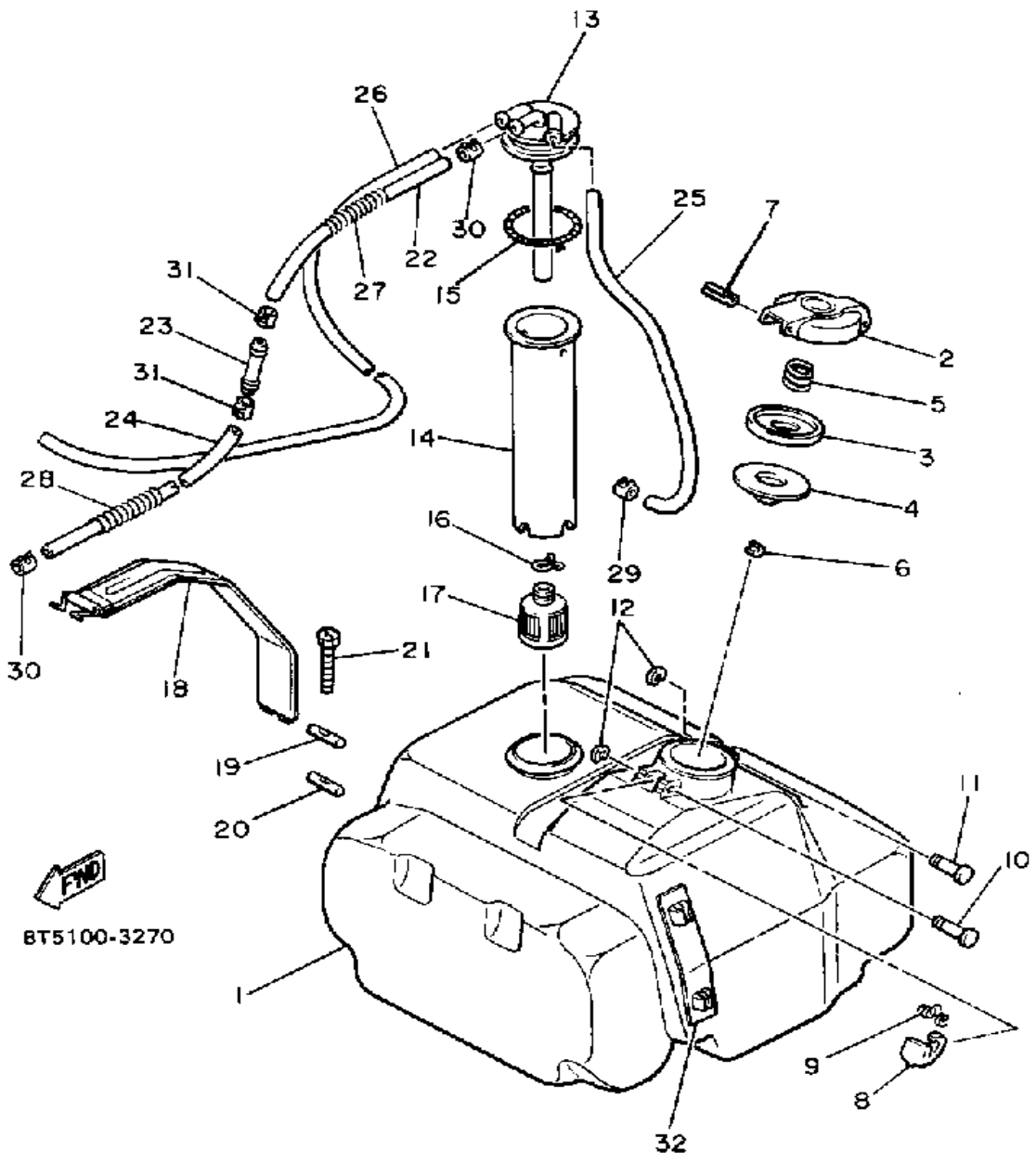
OIL TANK

Ref. No.	Part Number	Description	Qty	Remarks
1	8G8-21751-00-00	TANK, OIL	1	
2	863-21771-00-00	BODY, CAP	1	
3	90430-31003-00	GASKET	1	
4	90446-11081-00	HOSE	1	
5	90446-09067-00	HOSE	1	
6	90446-09015-00	HOSE	1	
7	90464-23041-00	CLAMP	1	
8	90467-09005-00	CLIP, SCISSOR	1	
9	90467-09026-00	CLIP	1	
10	90467-11009-00	CLIP	2	
11	8G8-13410-00-00	STRAINER HOUSING ASSEMBLY	1	
12	97313-08020-00	BOLT, HEXAGON	2	
13	92902-08100-00	WASHER, SPRING	2	
14	92990-08200-00	WASHER, PLAIN	2	
15	90464-30040-00	CLAMP	1	



Property of www.SmallEngineDiscount.com - Not for Resale

FUEL TANK

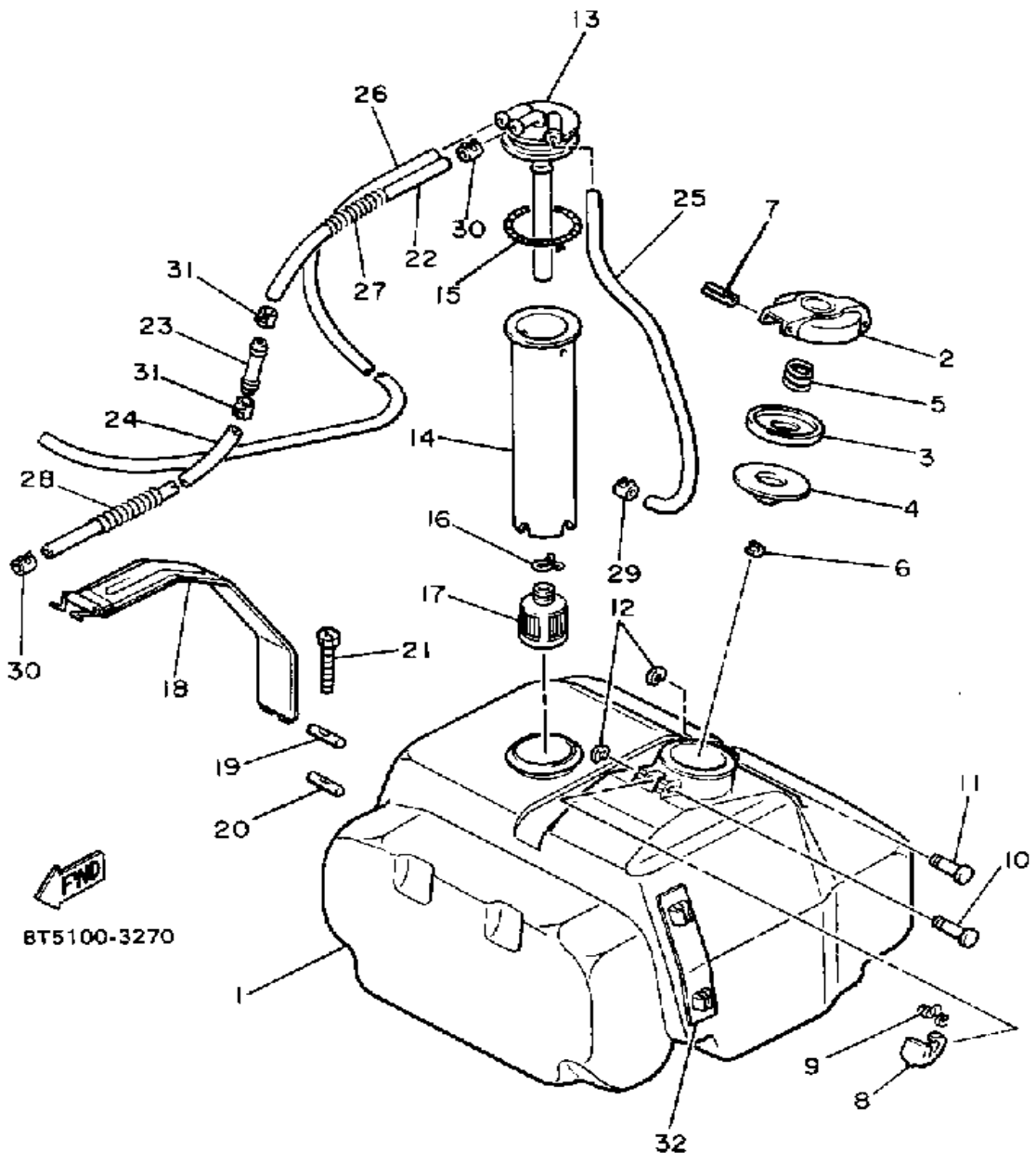


Ref. No.	Part Number	Description	Qty	Remarks
1	8G8-24111-00-00	FUEL TANK	1	
2	813-24611-01-00	BODY, CAP	1	
3	813-24613-01-00	DISC, CAP	1	
4	8F7-24641-00-00	GASKET, CAP 1	1	
5	90501-20130-00	SPRING, COMPRESSION	1	
6	91609-30016-00	PIN, SPRING	1	
7	91609-25032-00	PIN, SPRING	1	
8	83M-24628-00-00	HOOK	1	
9	90508-08003-00	SPRING, TORSION (813-24637-00)	1	
10	90249-03016-00	PIN, SPEC'L SHAPE	1	
11	90249-03017-00	PIN	1	
12	93430-02001-00	CIRCLIP	2	
13	8G8-24335-00-00	PIPE, SUCTION 1	1	
14	813-24336-00-00	PIPE, SUCTION 2	1	
15	90506-06065-00	SPRING, TENSION	1	
16	90467-10008-00	CLIP	1	
17	8H5-24560-00-00	FILTER ASSEMBLY	1	
18	(883-24173-00-00)	BAND, TNK FITTING 1	1	
19	806-24135-00-00	CLAMP 1	1	
20	90179-05030-00	NUT, SPEC'L SHAPE (806-24146-00)	1	
21	90149-05006-00	SCREW, SPEC'L SHAPE (821-24176-00)	1	
22	90446-11109-00	HOSE	1	
23	8Y4-24376-00-00	PIPE, JOINT 1	1	
24	90446-09062-00	HOSE	1	
25	91A30-05045-00	TUBE, FLEXIBLE VINYL	1	
26	90446-09092-00	HOSE	1	
27	8F3-24326-00-00	PROTECTOR, PIPE	1	

CONTINUED ON NEXT FRAME ►

Property of www.SmallEngineDiscount.com - Not for Resale

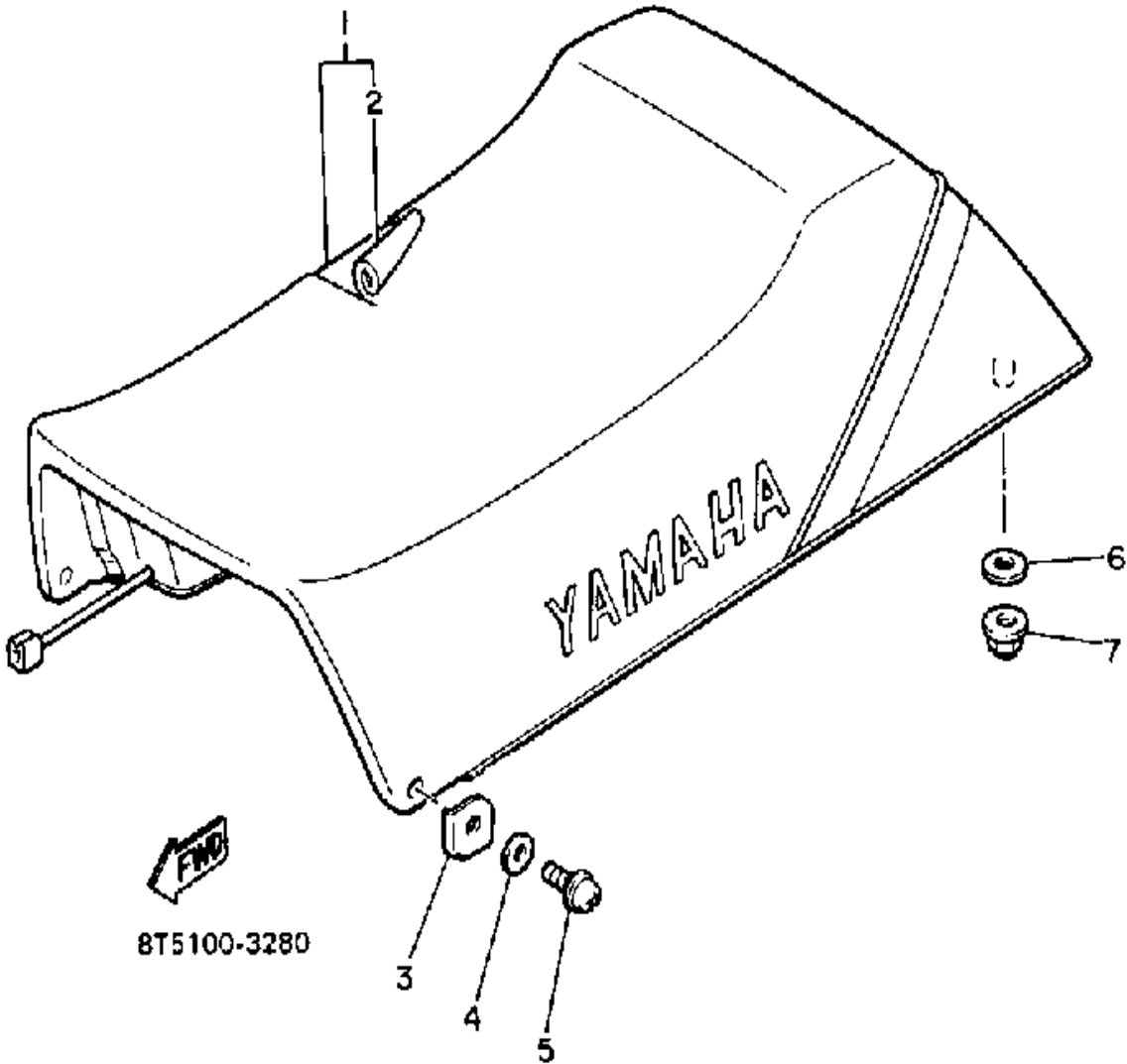
FUEL TANK



Ref. No.	Part Number	Description	Qty	Remarks
28	8G5-24328-00-00	PROTECTOR, PIPE	1	
29	90467-09026-00	CLIP	1	
30	90467-11028-00	CLIP	2	
31	90467-09026-00	CLIP	2	
32	(8G8-24179-00-00)	GAUGE, FUEL	1	

Property of www.SmallEngineDiscount.com - Not for Resale

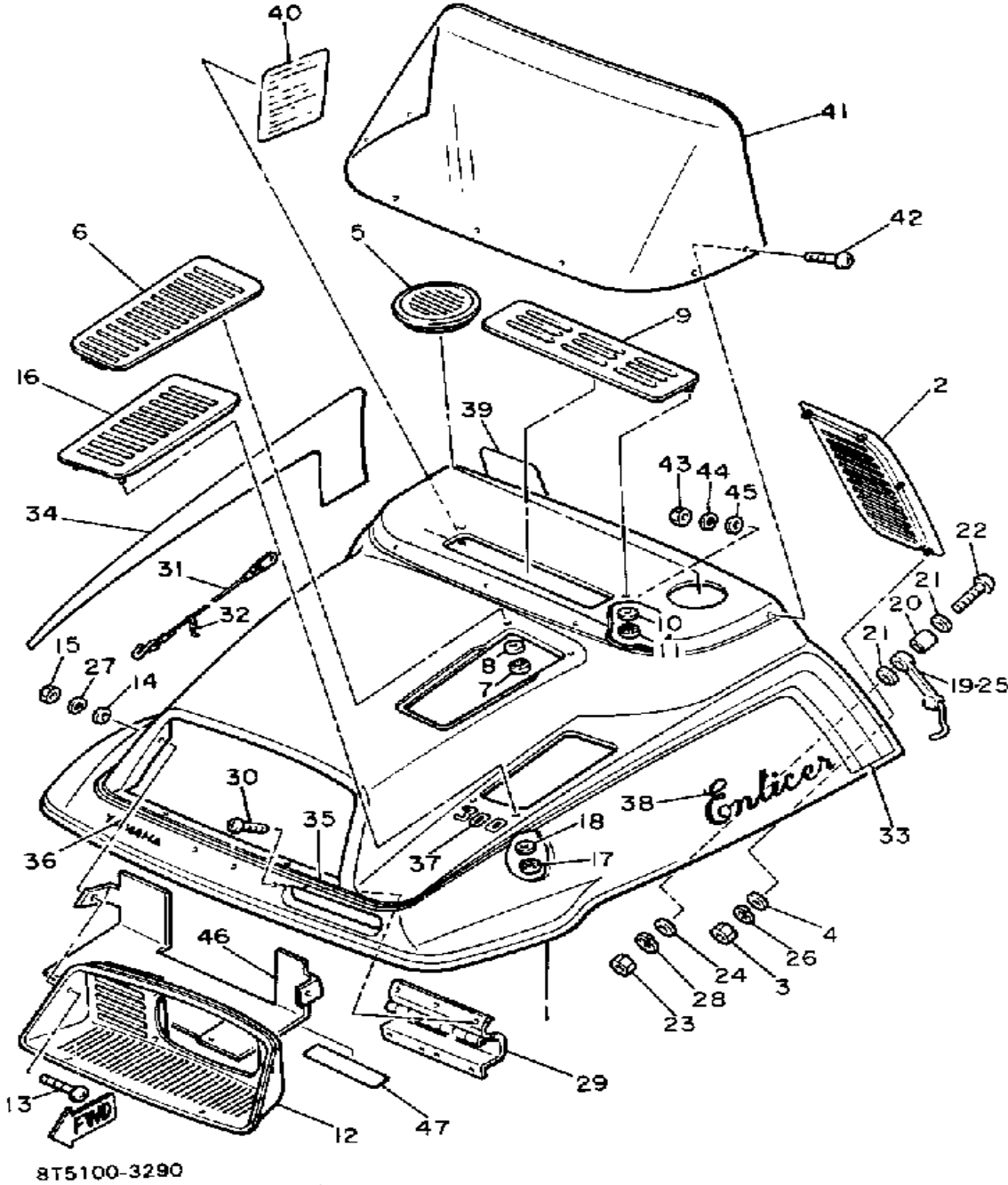
SEAT



Ref. No.	Part Number	Description	Qty	Remarks
1	8T5-24710-00-00	SINGLE SEAT ASSEMBLY	...	
2	8T5-24711-00-00	. COVER, SINGLE SEAT 1	
3	90215-14147-00	WASHER, LOCK 2	
4	90201-063J2-00	WASHER, PLATE 2	
5	90159-06019-00	SCREW, WITH WASHER 2	
6	90201-08748-00	WASHER, PLATE 2	
7	95712-08300-00	NUT, LOCK 2	

Property of www.SmallEngineDiscount.com - Not for Resale

SHROUD - WINDSHIELD

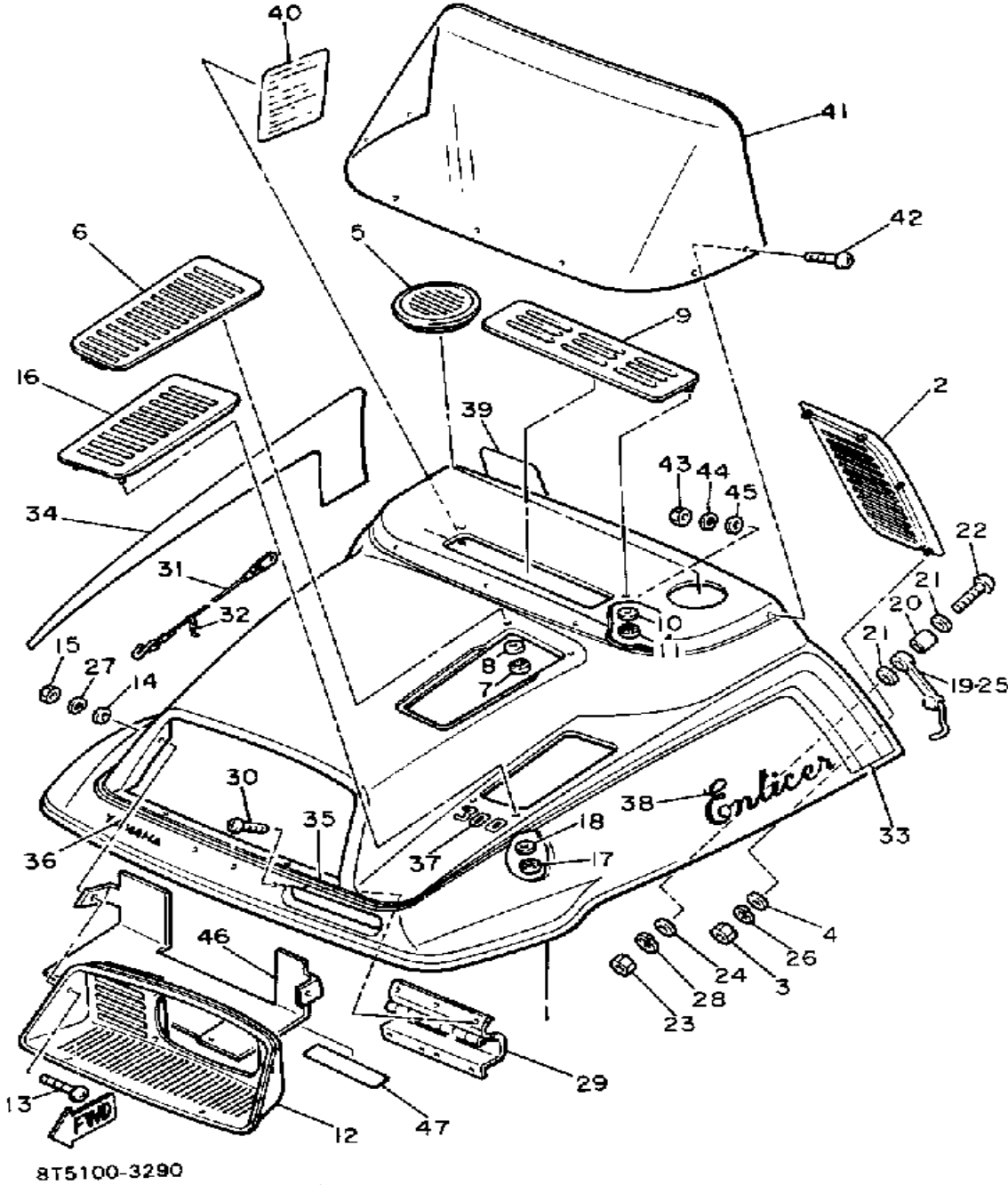


Ref. No.	Part Number	Description	Qty	Remarks
1	8N6-W7711-10-00	SHROUD ASSEMBLY	1	
2	8F3-77131-00-00	LOUVER 1	1	
3	95380-05600-00	NUT	4	
4	92990-05200-00	WASHER, PLAIN	4	
5	8K0-77133-00-00	LOUVER 3	1	
6	8K0-77134-00-00	LOUVER 4	1	
7	90183-05003-00	NUT, SPRING	2	
8	838-77143-00-00	EMBLEM 3	2	
9	8J4-77109-00-00	LOUVER 5	1	
10	838-77143-00-00	EMBLEM 3	2	
11	90183-05003-00	NUT, SPRING	2	
12	8F3-84311-00-00	BODY, HEADLIGHT	1	
13	98906-05020-00	SCREW, BIND	4	
14	90201-05651-00	WASHER, PLATE	3	
15	95380-05600-00	NUT	4	
16	8J4-77108-00-00	LOUVER 6	1	
17	90183-05003-00	NUT, SPRING	2	
18	838-77143-00-00	EMBLEM 3	2	
19	8G5-77170-00-00	LATCH ASSEMBLY	1	
20	90560-07007-00	SPACER	2	
21	90201-06067-00	WASHER, PLATE	4	
22	98906-06030-00	SCREW, BIND	2	
23	95380-06600-00	NUT	2	
24	90201-061A5-00	WASHER, PLATE	2	
25	8N8-77170-00-00	LATCH ASSEMBLY	1	
26	92990-05100-00	WASHER, SPRING	4	
27	92990-05100-00	WASHER, SPRING	4	
28	92995-06100-00	WASHER, SPRING	2	
29	8F3-77140-00-00	HINGE ASSEMBLY	1	

CONTINUED ON NEXT FRAME ➤

Property of www.SmallEngineDiscount.com - Not for Resale

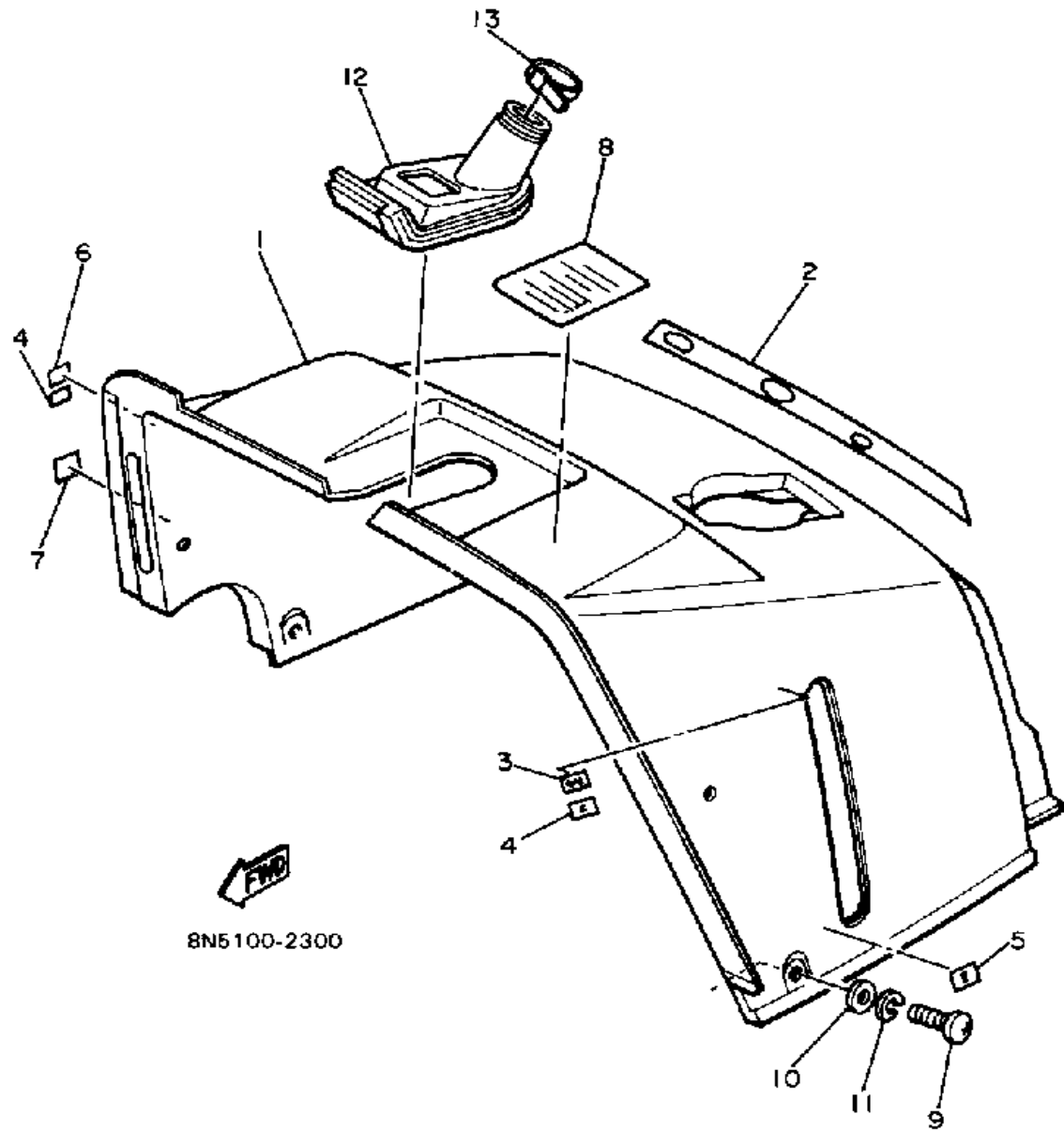
SHROUD - WINDSHIELD



Ref. No.	Part Number	Description	Qty	Remarks
30	98903-06016-00	SCREW, BIND	3	
31	8G8-77118-00-00	STOPPER, SHROUD	1	
32	838-77159-00-00	CLAMP, ROD	1	
33	8T5-77163-00-00	ORNAMENT 1	1	
34	8T5-77164-00-00	ORNAMENT 2	1	
35	8N6-77281-00-00	STRIPE 1	1	
36	8T5-77351-00-00	EMBLEM 1	1	
37	8T5-77352-00-00	EMBLEM 2	1	
38	8T5-77353-00-00	EMBLEM 3	2	
39	8N4-77458-00-00	LABEL, WARNING	1	
40	8N6-77743-00-00	INDICATOR 3	1	
41	8N4-77210-00-00	WINDSHIELD	1	
42	90154-05005-00	SCREW, BINDING	7	
43	95380-05600-00	NUT	7	
44	92990-05100-00	WASHER, SPRING	7	
45	90201-05029-00	WASHER, PLATE	6	
46	8T7-77373-00-00	PROTECTOR	1	
47	(8T5-W0070-00-00)	GRAPHIC SET	1	MARKED WITH *
	8T7-77762-00-00	LABEL, WARNING 2	1	
	OPT-IONAL-KI-T	UNAVAILABLE IN PRICE BOOK	1	

Property of www.SmallEngineDiscount.com - Not for Resale

INSTRUMENT PANEL

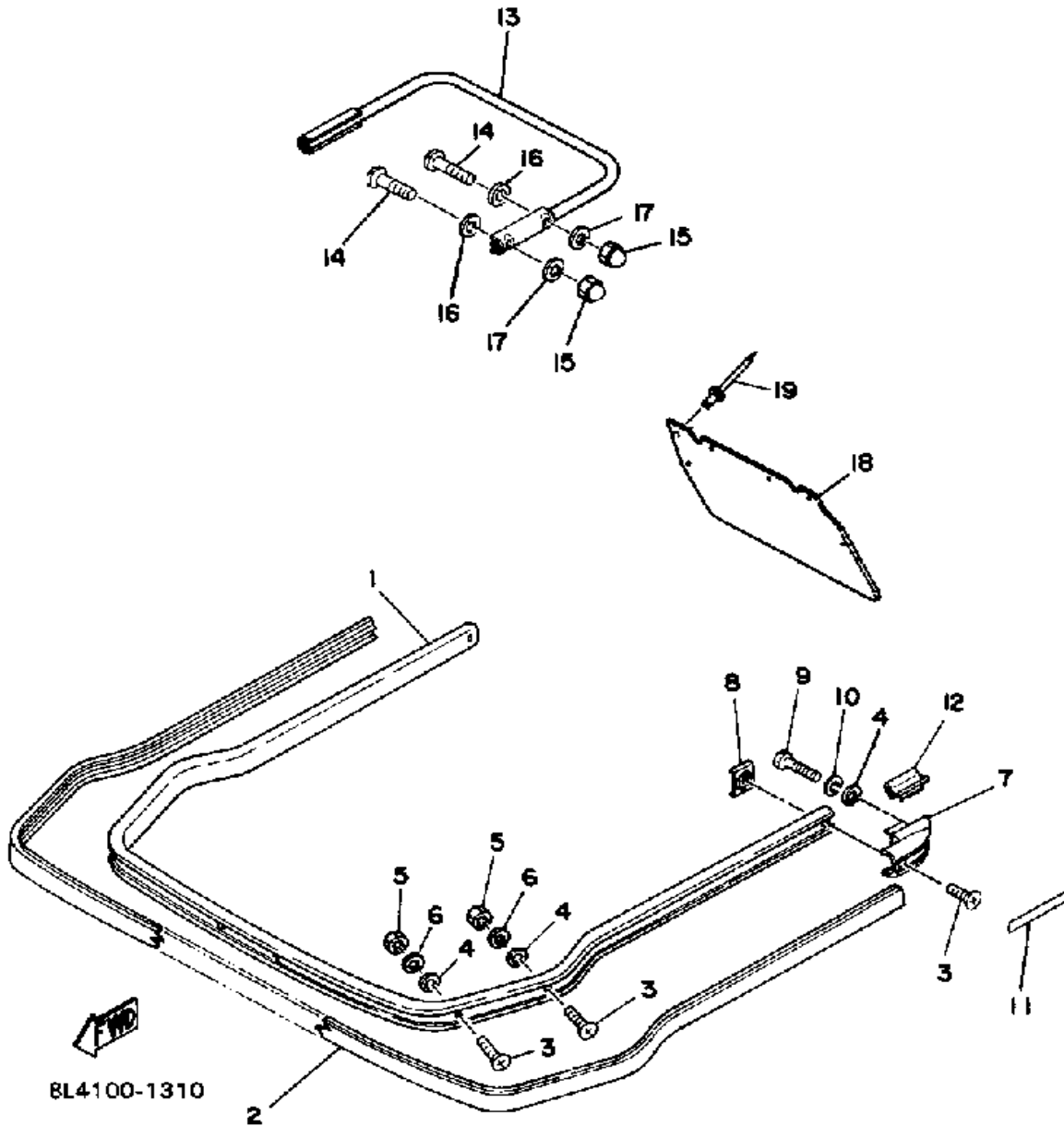


Ref. No.	Part Number	Description	Qty	Remarks
1	8G8-77711-00-00	PANEL, INSTRUMENT	1	
2	8J6-77741-00-00	INDICATOR 1	1	
3	8A1-77743-00-00	INDICATOR 3	1	
4	878-77744-00-00	INDICATOR 4	2	
5	878-77745-00-00	INDICATOR 5	1	
6	8G8-77742-00-00	INDICATOR 2	1	
7	8E7-77742-00-00	INDICATOR 2	1	
8	8N5-77767-00-00	LABEL, WARNING 7	1	
9	98506-06014-00	SCREW, PAN HEAD (92506-06014)	4	
10	90201-06057-00	WASHER, PLATE	4	
11	92906-06100-00	WASHER, SPRING	4	
12	(8G8-77746-00-00)	GROMMET	1	
13	341-26397-01-00	BAND	1	

8N5100-2300

Property of www.SmallEngineDiscount.com - Not for Resale

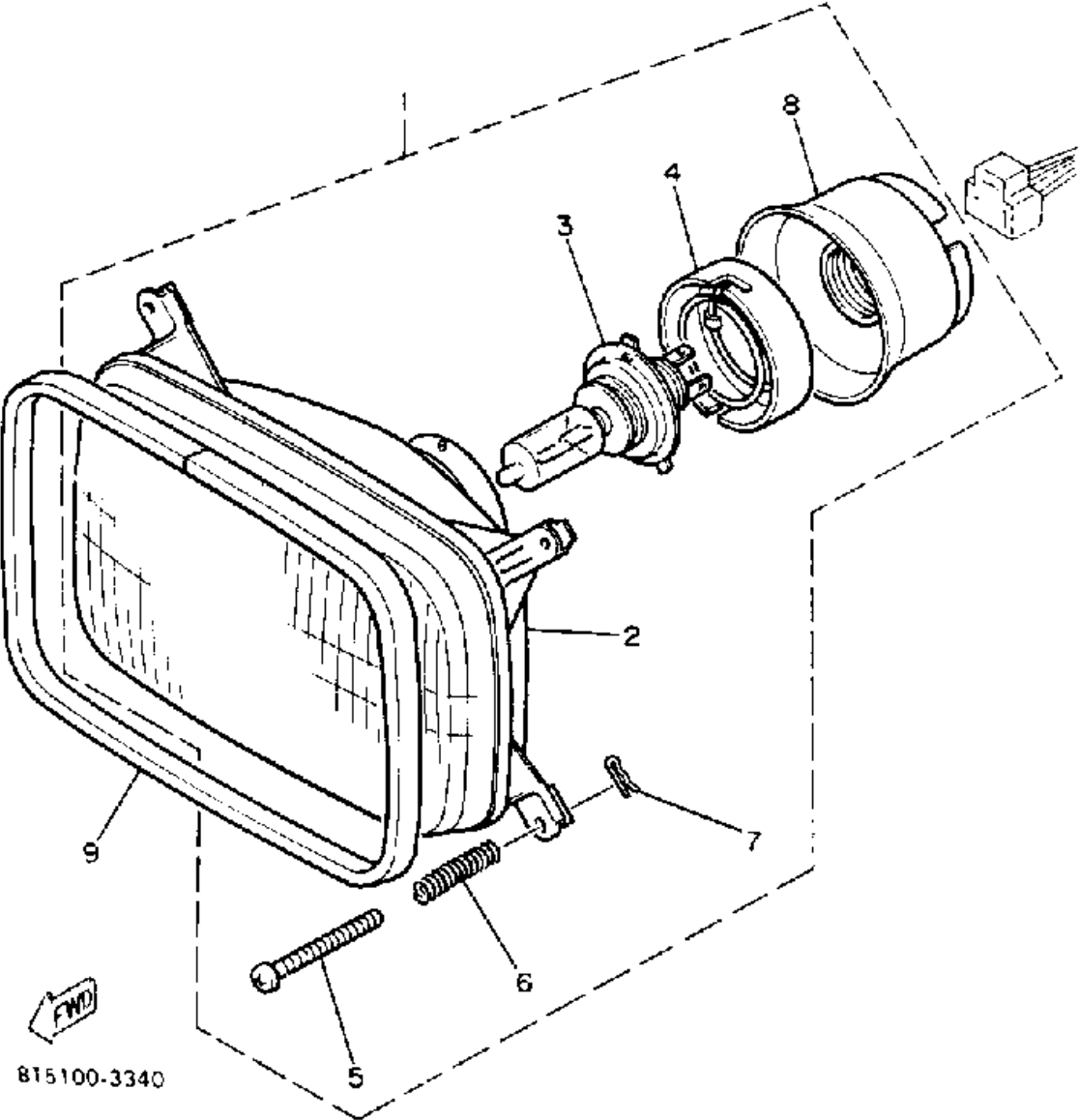
BUMPER



Ref. No.	Part Number	Description	Qty	Remarks
1	8G8-77511-00-00	BUMPER, FRONT 1	1	
2	8G8-77514-00-00	BUMPER, FRONT 4	1	
3	98701-06030-00	SCREW, FLAT HEAD	6	
4	90201-06M08-00	WASHER, PLATE	8	
5	95380-06600-00	NUT	4	
6	92995-06100-00	WASHER, SPRING	4	
7	8G8-77523-01-00	END, BUMPER	2	
8	8G8-77535-00-00	STAY 1	2	
9	97023-06020-00	BOLT (3XF)	4	
10	92995-06100-00	WASHER, SPRING	4	
11	8G8-77283-00-00	STRIPE 3	2	
12	8H5-77516-00-00	BUSH, RUBBER 2	2	
13	8N5-77541-00-00	BUMPER, REAR 1	1	
14	98901-08035-00	SCREW, BIND	4	
15	95303-08800-00	NUT (CROWN) (95301-08800)	4	
16	92990-08200-00	WASHER, PLAIN	4	
17	92990-08100-00	WASHER	4	
18	8F2-77595-00-00	FLAP	1	
19	90267-48086-00	RIVET, BLIND	5	

Property of www.SmallEngineDiscount.com - Not for Resale

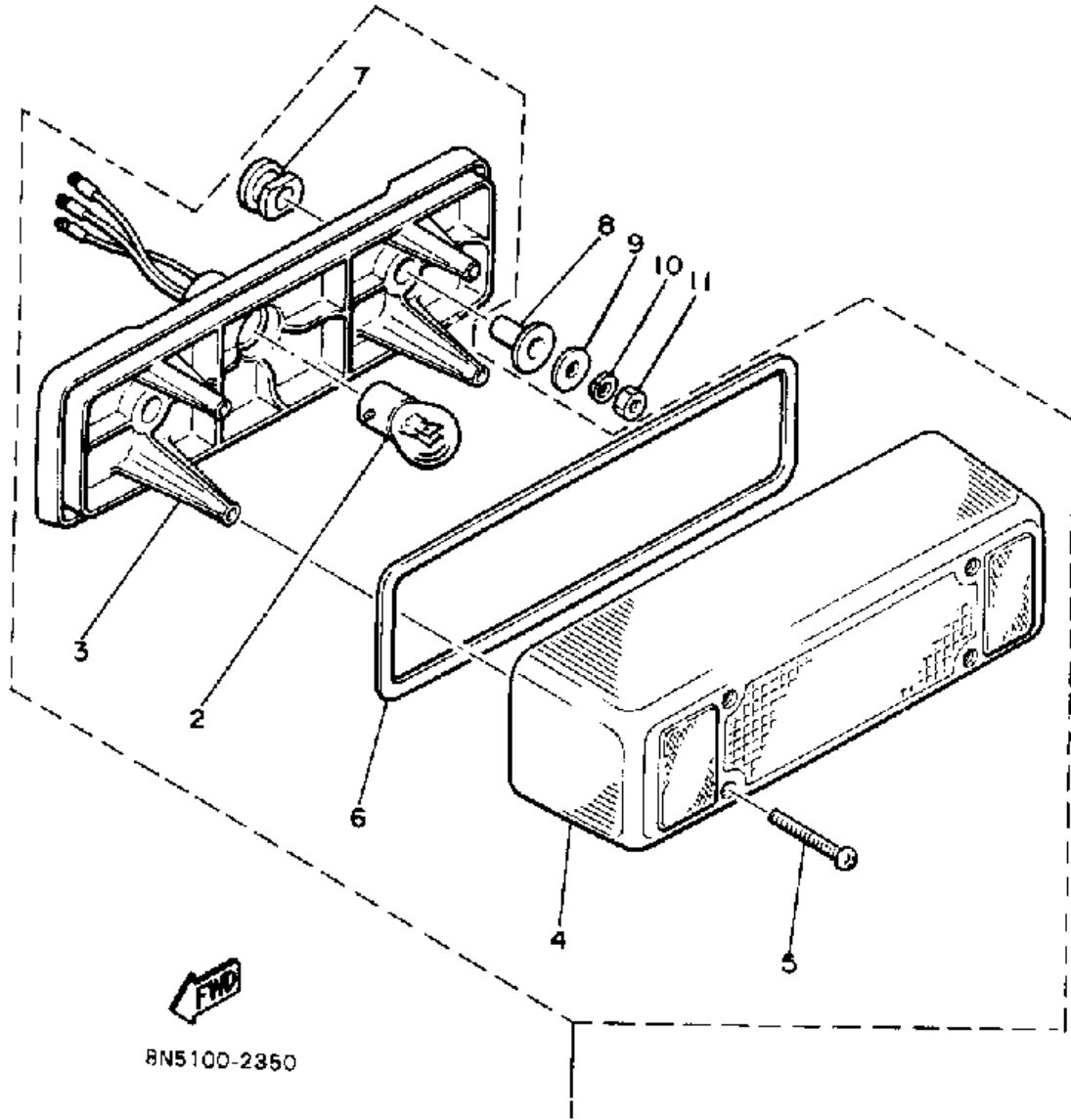
HEADLIGHT



Ref. No.	Part Number	Description	Qty	Remarks
1	8A7-84310-81-00	HEADLIGHT UNIT ASSEMBLY	1	
2	8A7-84320-00-00	. LENS ASSEMBLY	1	
3	8A7-84314-00-00	. BULB (12V-60/60W)	1	
4	8A7-84312-00-00	. HOLDER, SOCKET	1	
5	8M6-84331-00-00	. SCREW, RIM ADJUSTING (8A5-84331-00-00)	4	
6	8A5-84332-00-00	. SPRING, SCREW	4	
7	8K4-84374-00-00	. CLIP	4	
8	8A7-84397-01-00	. COVER, SOCKET	1	
9	8T7-84366-00-00	DAMPER, HEADLIGHT 1	1	

Property of www.SmallEngineDiscount.com - Not for Resale

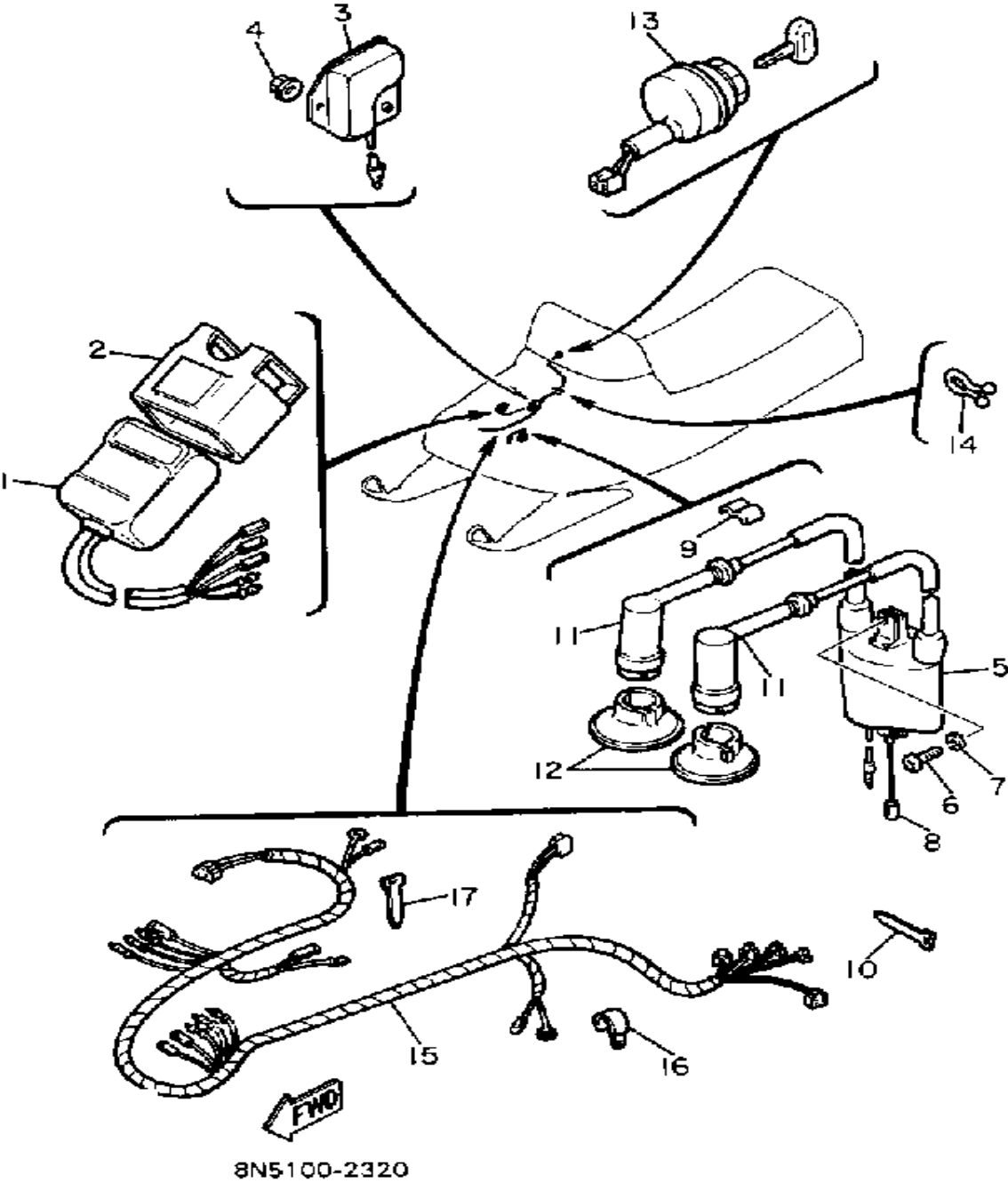
TAILLIGHT



Ref. No.	Part Number	Description	Qty	Remarks
1	8K4-84710-00-00	TAILLIGHT UNIT ASSEMBLY ..	1	
2	137-84714-61-00	. BULB, TL 12V23/8W (J50-83311-00)	1	
3	8K4-84711-00-00	. BASE, TAILLIGHT	1	
4	8K4-84721-00-00	. LENS, TAILLIGHT	1	
5	97780-40130-00	. SCREW, PANHEAD TAPPING (97701-40130-00)	4	
6	87M-84723-00-00	. GASKET, TAIL LENS	1	
7	8K4-84718-00-00	. GROMMET	2	
8	90387-060G8-00	COLLAR	2	
9	90201-06407-00	WASHER, PLATE (90201-06747-00)	2	
10	92995-06100-00	WASHER, SPRING	2	
11	95380-06600-00	NUT	2	

Property of www.SmallEngineDiscount.com - Not for Resale

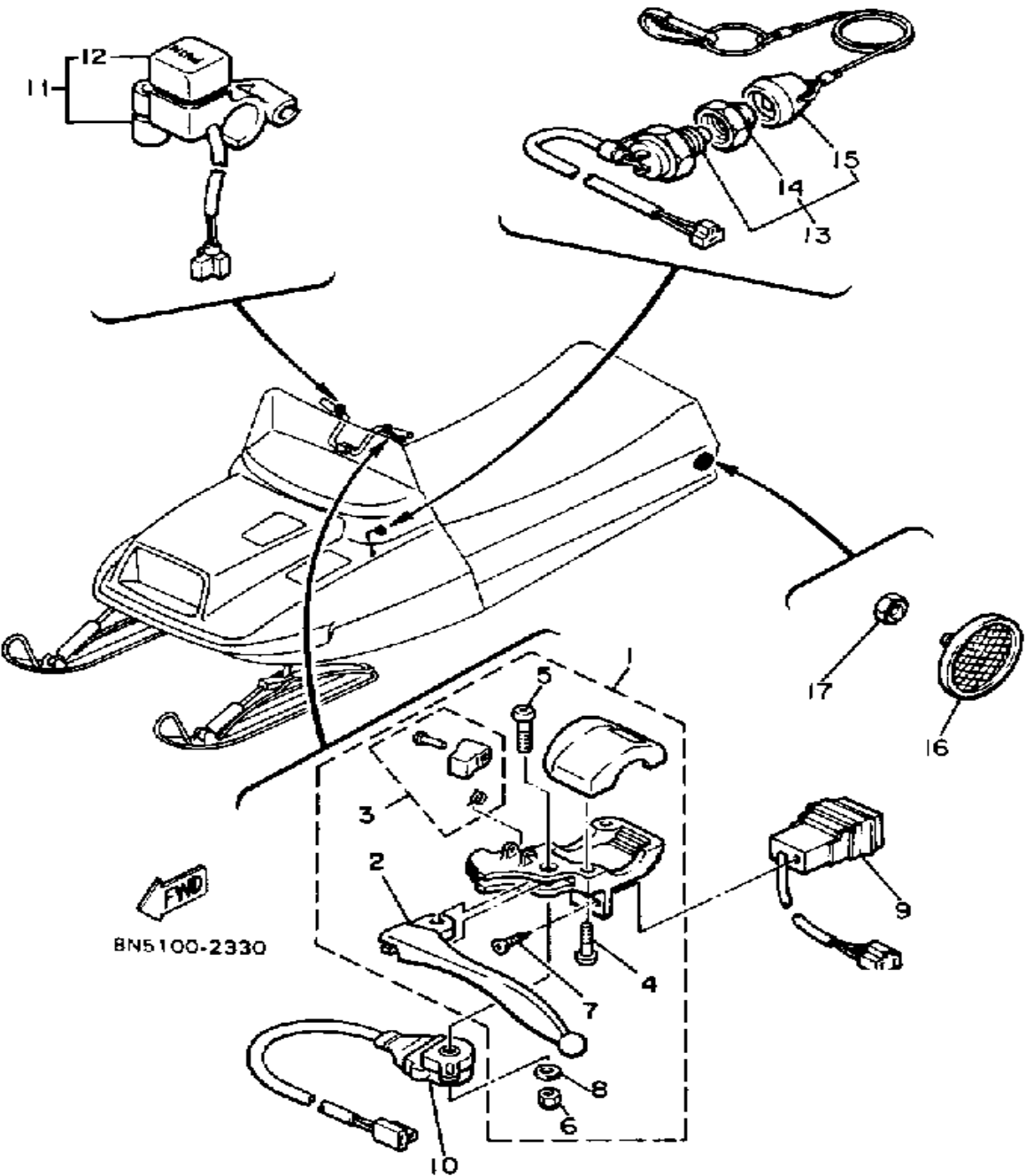
ELECTRICAL 1



Ref. No.	Part Number	Description	Qty	Remarks
1	8N4-85540-20-00	CDI UNIT ASSEMBLY	1	
2	2A7-85546-00-00	BAND	1	
3	82F-81910-A0-00	VOLTAGE REGULATOR ASSEMBLY	1	
4	95701-06300-00	NUT, NYLON	2	
5	8E7-82310-11-00	IGNITION COIL ASSEMBLY ...	1	
6	98580-06020-00	SCREW	2	
7	92995-06100-00	WASHER, SPRING	2	
8	J42-82318-00-00	WIRE, SUB-LEAD	1	
9	861-82361-00-00	CLAMP, CORD	1	
10	J45-83936-00-00	BAND, SWITCH CORD	1	
11	8J0-82370-10-00	PLUG CAP ASSEMBLY	2	
12	8G8-82372-00-00	SEAL, PLUG CAP	2	
13	8R4-82508-20-00	MAIN SWITCH ASSEMBLY ...	1	
14	90464-16039-00	CLAMP	1	
15	8N5-82590-20-00	WIRE HARNESS ASSEMBLY ..	1	
16	90465-08028-00	CLAMP	2	
17	437-83936-01-00	BAND, SWITCH CORD	4	

Property of www.SmallEngineDiscount.com - Not for Resale

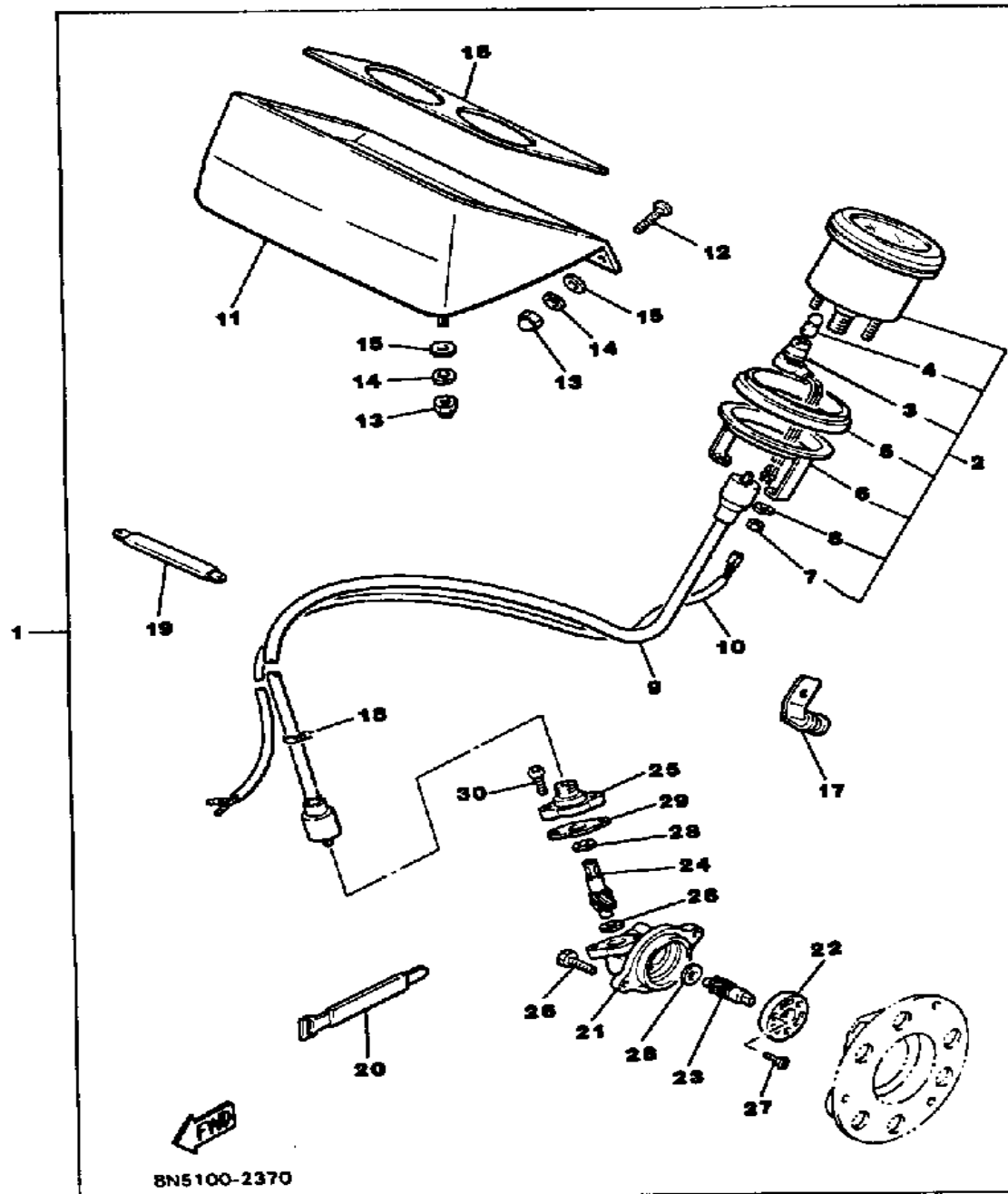
ELECTRICAL 2



Ref. No.	Part Number	Description	Qty	Remarks
1	8E3-W8291-01-00	LEVER HOLDER ASSEMBLY (LEFT)		1
2	803-83912-00-38	. LEVER 1	1	
3	8E3-83930-00-00	. LEVER LOCK ASSEMBLY ...	1	
4	98501-05018-00	. SCREW, PAN HEAD	2	
5	98580-05540-00	. SCREW, PAN HEAD	1	
6	95701-05300-00	. NUT, NYLON	1	
7	97780-30312-00	. SCREW, tapping	1	
8	92990-05200-00	. WASHER, PLAIN	1	
9	8H8-83950-01-00	BEAM SWITCH ASSEMBLY (8K4-83950-01-00)	1	
10	8R4-82530-00-00	STOP SWITCH ASSEMBLY ...	1	
11	8E3-83976-01-00	SWITCH, HANDLE 1	1	
12	8E3-83956-01-00	. CAP 1	1	
13	8H8-82550-01-00	ENGINE STOP SWITCH ASSEMBLY	1	
14	8H8-82557-00-00	. NUT	1	
15	8H8-82552-09-00	. CAP, SWITCH	1	
16	449-85131-02-00	REFLECTOR, REAR 1	2	
17	95701-05300-00	NUT, NYLON	2	

Property of www.SmallEngineDiscount.com - Not for Resale

SPEEDOMETER KIT (ALTERNATE PART)



Ref. No.	Part Number	Description	Qty	Remarks
1	(ACC-01200-68-00)	SPEEDOET300/340BCD	1	
2	8G6-83510-21-00	. SPEEDOMETER ASSEMBLY .	1	U.R. MILE/H
3	(861-83536-40-00)	SOCKET, METER	1	
4	123-83516-21-00	. BULB (12V-3.4W)	1	
5	8G6-83523-00-00	.. DAMPER	1	
6	8G6-83519-00-00	.. BRACKET, METER	1	
7	95380-05600-00	.. NUT	2	
8	92990-05100-00	.. WASHER, SPRING	2	
9	8F3-83550-01-00	. SPEEDOMETER CABLE	1	
10	8H4-83553-00-00	. WIRE, LEAD	1	
11	8G5-83611-00-00	. PANEL, METER	1	
12	98906-05020-00	. SCREW, BIND	2	
13	95380-05600-00	. NUT	4	
14	92990-05100-00	. WASHER, SPRING	4	
15	92990-05200-00	. WASHER, PLAIN	4	
16	8G6-83612-00-00	. COVER, METER PANEL	1	
17	90465-08028-00	. CLAMP	1	
18	25G-83936-01-00	. BAND, SWITCH CORD	1	
19	90465-05128-00	. CLAMP	1	
20	341-26397-01-00	. BAND	1	
21	8E6-47711-10-00	. HOUSING	1	
22	853-47712-10-00	. JOURNAL	1	
23	810-47731-11-00	. GEAR, DRIVE	1	
24	810-47741-11-00	. GEAR, DRIVEN (810-47741-10)	1	
25	8E3-47721-10-00	. COVER, HOUSING	1	
26	97313-06016-00	. BOLT, HEXAGON	2	
27	98701-04012-00	. SCREW, FLAT HEAD	3	
28	810-47717-10-00	. SHIM	3	
29	810-47727-10-00	. GASKET	1	

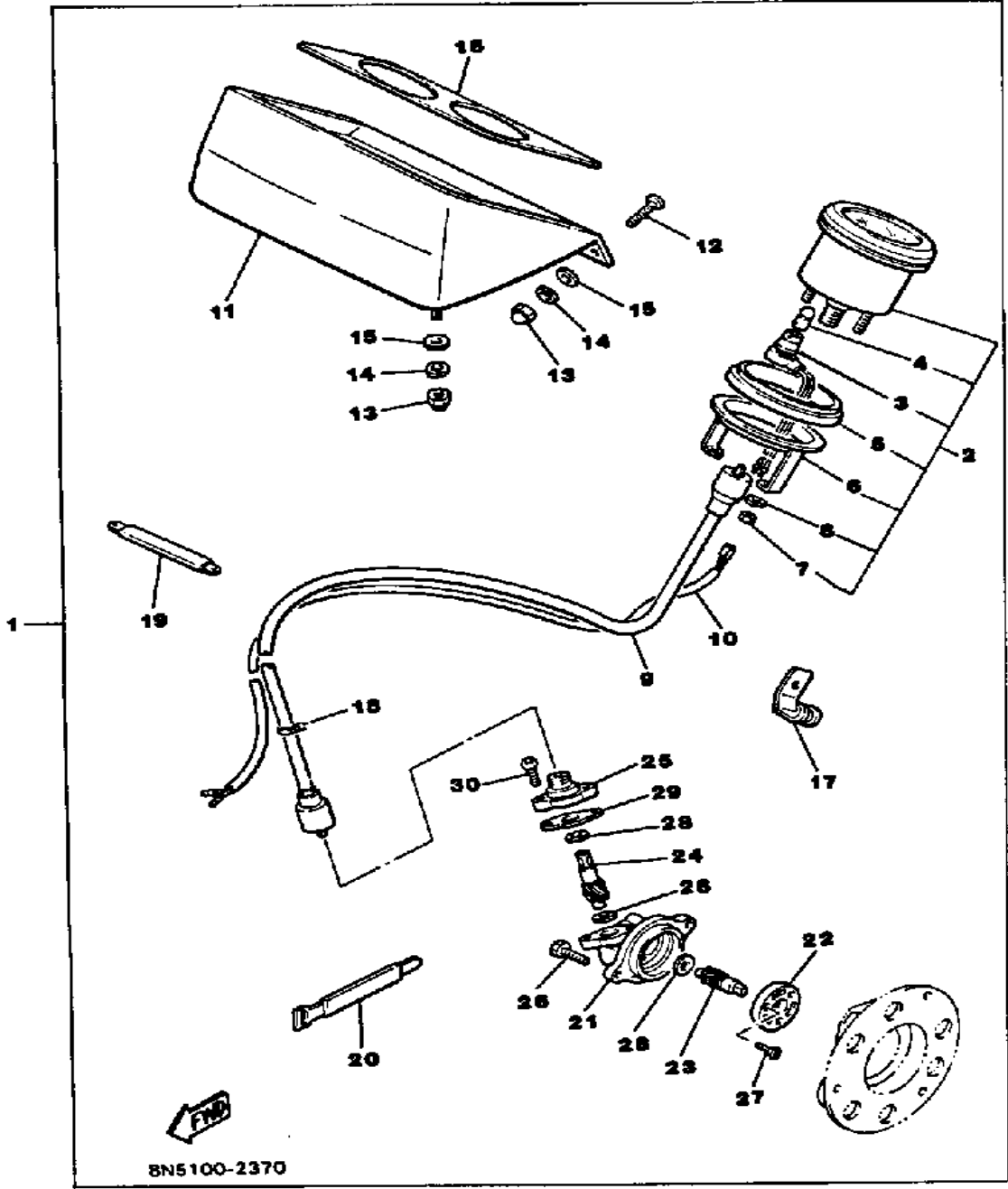
CONTINUED ON NEXT FRAME ►

Property of www.SmallEngineDiscount.com - Not for Resale

SPEEDOMETER KIT (ALTERNATE PART)

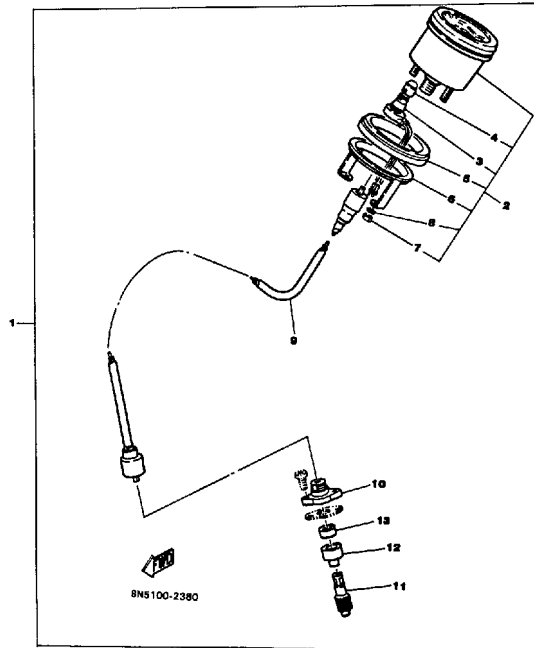
Ref. No.	Part Number	Description	Qty	Remarks
----------	-------------	-------------	-----	---------

30	98580-05012-00	. SCREW, PAN HEAD	2	
----	----------------	-------------------	---	--



Property of www.SmallEngineDiscount.com - Not for Resale

TACHOMETER KIT (ALTERNATE PART)



Ref. No.	Part Number	Description	Qty	Remarks
1	(ACC-01200-71-00)	TACHET300/340BCDED	1	
2	8R5-83540-00-00	TACHOMETER ASSEMBLY ...	1	
3	(861-83536-40-00)	SOCKET, METER	1	
4	123-83516-21-00	. BULB (12V-3.4W)	1	
5	8G6-83523-00-00	. DAMPER	1	
6	8G6-83519-00-00	. BRACKET, METER	1	
7	95380-05600-00	. NUT	2	
8	92990-05100-00	. WASHER, SPRING	2	
9	8G6-83560-01-00	TACHOMETER CABLE	1	
10	821-17819-00-00	CAP, HOUSING	1	
11	813-17841-00-00	GEAR, DRIVEN (10T)	1	
12	821-17843-00-00	BUSH, DRIVEN GEAR OUTER .	1	
13	93104-06033-00	OIL SEAL	1	

Property of www.SmallEngineDiscount.com - Not for Resale

ET300G

1983 SERVICE/HIGH ALTITUDE TUNING DATA

MODEL - IBM I.D. NUMBER	ET300G	8T5
Starting Engine Number / Frame Number	E294-041101 / 8T5-041101	

ENGINE - Type / Induction System	2-Stroke, Forced-air Cooled/Piston Port
Bore / Stroke / Number Cylinders / Displacement	56mm / 59.6mm / 2 / 294cc
Compression Ratio	6.5:1
Piston Skirt Clearance New / Max	0.040 ~ 0.045mm / 0.10mm
Ring End Gap Top / 2nd	0.3 ~ 0.5mm / 0.3 ~ 0.5mm
Ring Groove Clearance Top / 2nd	0.02 ~ 0.06mm / 0.02 ~ 0.06mm
Coolant Type / Mixing Ratio	∅ / ∅

CARBURETOR - Mfr. Type / Size / Qty. / I.D. Number	Mikuni - B38-32 / 38-32mm / 1 / 8H9-01
Main Jet / Main Air Jet	210 / ∅
Slow Jet / Slow Air Jet / Air Screw	∅ / ∅ / ∅
Pilot Jet / Pilot Screw	90 / 1-1/2 Turns Out
Needle Jet/Jet Needle-Clip Position/Cutaway/Air Jet	∅ / ∅ / 185 / ∅
Power Jet / Power Air Jet	∅ / ∅
Fuel Inlet Valve / Float Level	1.5 / 25 ± 1mm
Idle Speed	1600 rpm

AUTOLUBE - Pump Color / Control Rod Adjustment	Blue / 25 ± 1mm @ Idle @ Pump Assembly
Pump Plunger Stroke Min / Max	0.20 ~ 0.25mm / 1.65 ~ 1.87mm
Output @ 200 Strokes Full Throttle / Idle	4.15 ~ 4.70cc / 0.50 ~ 0.63cc

DRIVE - Engagement rpm / Shift rpm	3200 rpm / 6400 rpm
Belt Length / Width / Wear Limit / IBM Number	1099mm / 31.6mm / 26.0mm / 820
Sheave Center-to-center / Offset	266 ± 2mm / 11 ± 1mm
Primary Spring Color / Length / Rate / Preload	Red-Red / 71.3mm / 2.05 kg/mm / 20 kg
Secondary Spring Preload / Color	160° / None
Secondary Drive Teeth / Chain Free Play	13-22 / 10 ± 5mm
Track Width / Tension	15 in / 25 ~ 30mm @ 10 kg

CAPACITIES - Chain Case/Gear Case Cap. (Type)	450cc / ∅ (SAE 80W-90, API GL-4)
Fuel Tank Capacity / Type	22.7 Lit / Regular
Autolube Tank Capacity / Type	2.4 Lit / Yamalube 2

ELECTRICAL - Manufacturer / Type	Mitsubishi / CDI
Battery Model / Specific Gravity / Charge Rate	∅
Charging Coil Color Code / Resistance	∅
Headlight / Taillight / Meter Light Ratings	12V60-60W / 12V23-8W / 12V3.4W
Lighting Coil Color Code / Resistance / Output	Yel ~ Blk / 0.19Ω ± 10% / 12V100W
Ignition Coil Resistance Primary / Secondary	0.15Ω ± 10% / 3.6KΩ ± 20%
Source Coil Color Code / Resistance	Brn ~ Blk / 590Ω ± 10%
Pulser Coil Color Code / Resistance	Wht-Red ~ Blk / 15.1Ω ± 10%
Spark Plug Type / Gap / Torque	NGK BR9ES / 0.8mm / 2.7 m-kg
Ignition Timing	1.6 ± 0.1mm

∅ = Does Not Apply To This Model NA = Information Not Available

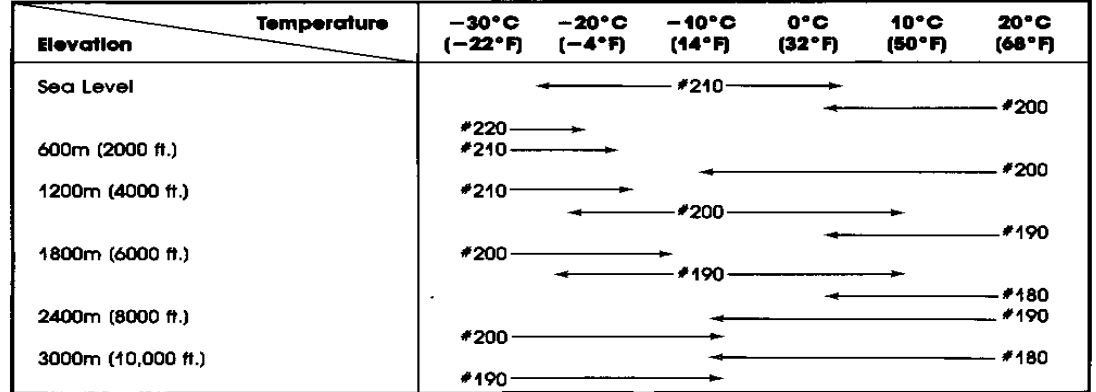
SERVICE COPY	SER MGR	MECH	MECH	MECH	BINDER
OFFICE COPY	GEN MGR	SALES	PARTS	BINDER	PAGE 1 OF 2

ET300G HIGH ALTITUDE SPECIFICATIONS

	STANDARD SETTING	HIGH ALTITUDE
Idle	1600 rpm	1600 rpm
Clutch Engagement	3200 rpm	3000 rpm
Shift speed	6300 ~ 6500 rpm	5800 rpm
Main Jet	#210	See Setting Chart
Pilot Jet	# 90	#105
Low Speed Mixture Screw	1-1/2 Turns Out	1-7/8 Turns Out
Gear Reduction	13/22	12/23
Primary Spring		Red-Wht 24.5 x 2.22 (90501-55397-00)

- NOTE:**
 1. Remove the four large plate washers, P/Ns 90201-06726-00 and 90201-06727-00, from the weight arm.
 2. Always replace the weight bolt with a shorter one, P/N 90101-06348-00, when the plate washers have been removed.

MAIN JET SETTING CHART



ALTERNATE PARTS LIST

MAIN JET SIZE	PART NUMBER
#220	137-14143-44-00
#210	137-14143-42-00*
#200	137-14143-40-00
#190	137-14143-38-00
#185	137-14143-37-00
#180	137-14143-36-00

PILOT JET SIZE	PART NUMBER
#110	8H9-14142-10-00
#105	8H9-14142-05-00
#100	8H9-14142-00-00
# 95	193-14142-95-00
# 90	193-14142-90-00*

DRIVE GEAR	PART NUMBER
13 T	812-17682-30-00*
12 T	812-17682-20-00

DRIVEN GEAR	PART NUMBER
23 T	8F3-47548-30-00
22 T	8F3-47548-20-00*

*Standard

SERVICE LITERATURE

PUBLICATION	PART NUMBER	REMARKS
Owner's Manual	LIT-12628-00-44	Same as ET300C,D,E
Service Manual	LIT-12618-00-44	
Assembly Manual	LIT-12668-00-15	

Property of www.SmallEngineDiscount.com - Not for Resale

ET3000 HIGH ALTITUDE SPECIFICATIONS

	STANDARD SETTING	HIGH ALTITUDE
Idle	1600 rpm	1600 rpm
Clutch Engagement	3200 rpm	3000 rpm
Shift speed	6300 ~ 6500 rpm	5800 rpm
Main Jet	#210	See Setting Chart
Pilot Jet	# 90	#105
Low Speed Mixture Screw	1-1/2 Turns Out	1-7/8 Turns Out
Gear Reduction	13/22	12/23
Primary Spring		Red-Whit 24.5 x 2.22 (90501-55397-00)

NOTE:

1. Remove the four large plate washers, P/Ns 90201-06726-00 and 90201-06727-00, from the weight arm.
2. Always replace the weight bolt with a shorter one, P/N 90101-06348-00, when the plate washers have been removed.

MAIN JET SETTING CHART

Elevation	Temperature	-30°C (-22°F)	-20°C (-4°F)	-10°C (14°F)	0°C (32°F)	10°C (50°F)	20°C (68°F)
	Sea Level		← #210 →				
600m (2000 ft.)		#220 →					← #200 →
1200m (4000 ft.)		#210 →					← #200 →
1800m (6000 ft.)		#200 →					← #190 →
2400m (8000 ft.)							← #180 →
3000m (10,000 ft.)		#200 →					← #190 →
		#190 →					← #180 →

ALTERNATE PARTS LIST

MAIN JET SIZE	PART NUMBER
#220	137-14143-44-00
#210	137-14143-42-00*
#200	137-14143-40-00
#190	137-14143-38-00
#185	137-14143-37-00
#180	137-14143-36-00

PILOT JET SIZE	PART NUMBER
#110	8H9-14142-10-00
#105	8H9-14142-05-00
#100	8H9-14142-00-00
# 95	193-14142-95-00
# 90	193-14142-90-00*

DRIVE GEAR	PART NUMBER
13 T	812-17682-30-00*
12 T	812-17682-20-00

DRIVEN GEAR	PART NUMBER
23 T	8F3-47548-30-00
22 T	8F3-47548-20-00*

*Standard

SERVICE LITERATURE

PUBLICATION	PART NUMBER	REMARKS
Owner's Manual	LIT-12628-00-44	Same as ET300C,D,E
Service Manual	LIT-12618-00-44	
Assembly Manual	LIT-12668-00-15	