



YAMAHA

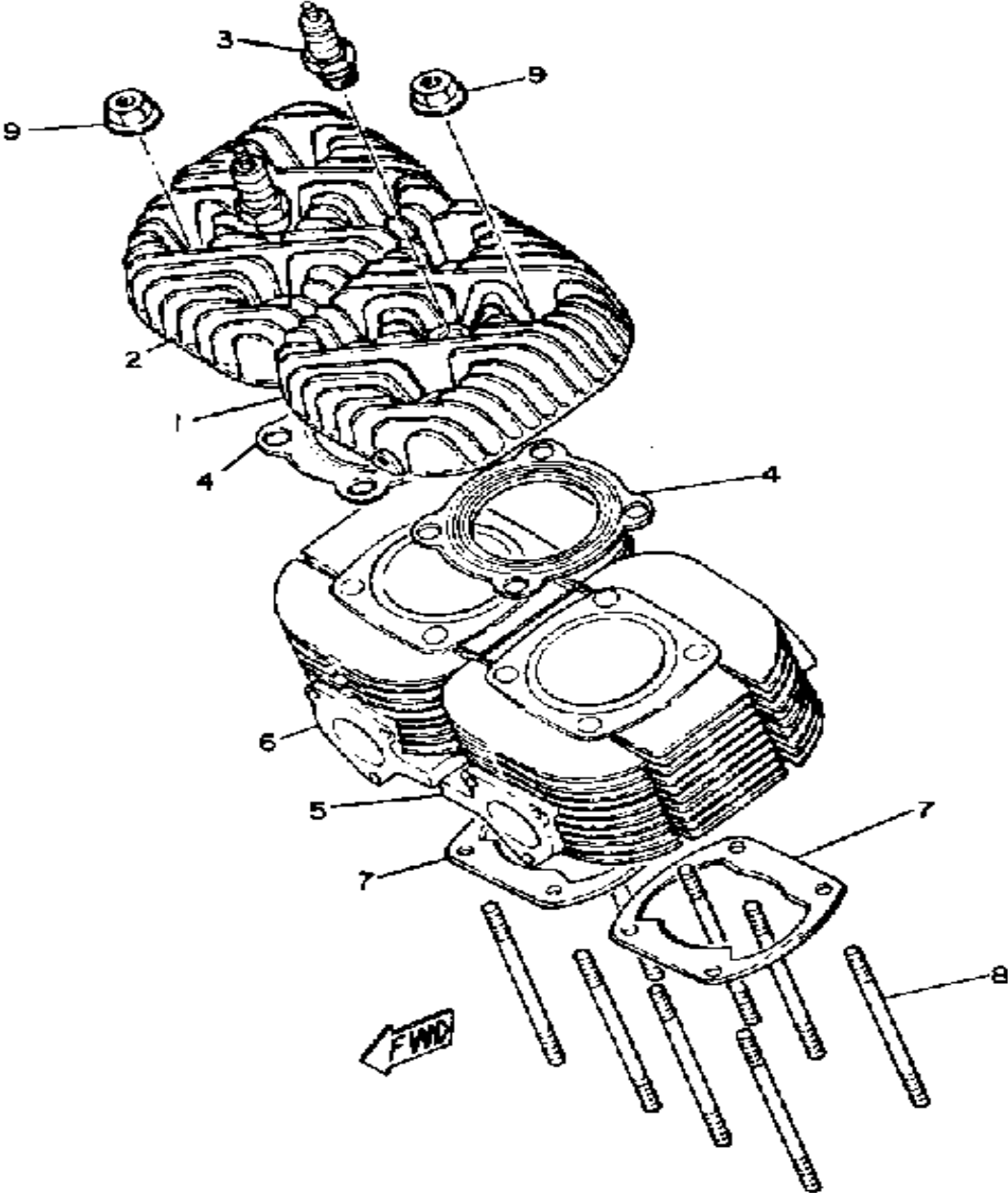
GENUINE

PARTS CATALOGUE

SNOWMOBILE

Property of www.SmallEngineDiscount.com - Not for Resale

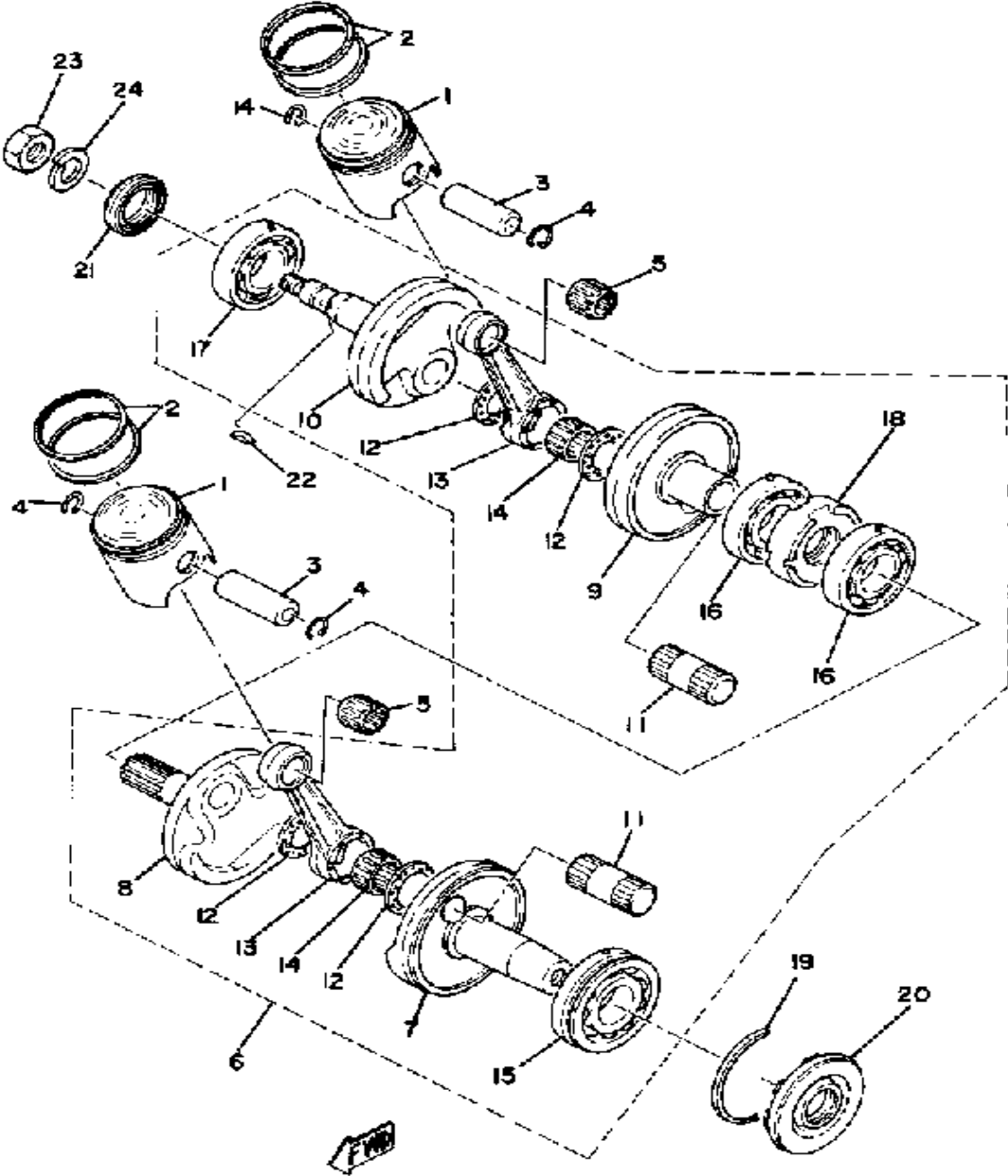
CYLINDER



Ref. No.	Part Number	Description	Qty	Remarks
1	8G8-11111-00-00	HEAD, CYLINDER 1	1	
2	8G8-11121-00-00	HEAD, CYLINDER 2	1	
3	NGK-BR9ES-00-00	PLUG, SPARK	2	
4	8G8-11181-01-00	GASKET, CYLINDER HEAD 1 .	2	
5	8G8-11311-00-00	CYLINDER 1	1	
6	8G8-11321-00-00	CYLINDER 2	1	
7	846-11351-01-00	GASKET, CYLINDER	2	
8	90116-08107-00	BOLT, STUD	8	
9	95701-08500-00	NUT, FLANGE	8	

Property of www.SmallEngineDiscount.com - Not for Resale

CRANKSHAFT - PISTON

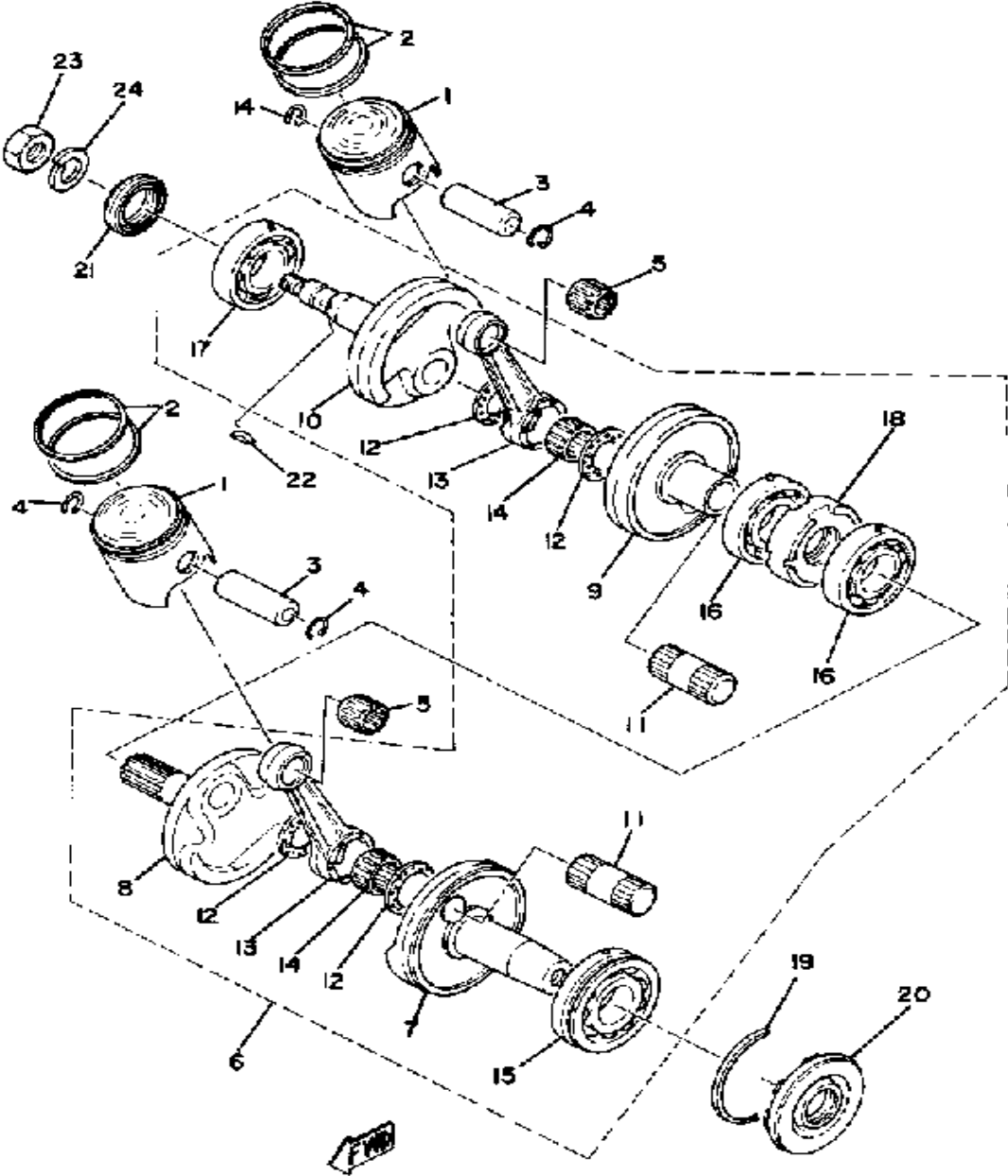


Ref. No.	Part Number	Description	Qty	Remarks
1	8G8-11631-01-96	PISTON STD.	2	
	8G8-11635-00-00	PISTON 1 O/S 0.5	2	ALTERNATE PART
	8G8-11636-00-00	PISTON 2 O/S 0.0	2	ALTERNATE PART
	8G8-11637-00-00	PISTON 3 O/S 0.5	2	ALTERNATE PART
	8G8-11638-00-00	PISTON 4 O/S 1.0	2	ALTERNATE PART
2	8G8-11601-00-00	PISTON RING SET (STD)	2	
	8G8-11601-10-00	PISTON RING SET (0.25MM O/S)	2	ALTERNATE PART
	8G8-11601-20-00	PISTON RING SET (0.50MM O/S)	2	ALTERNATE PART
	8G8-11601-30-00	PISTON RINGSET 3RD	2	ALTERNATE PART
	8G8-11601-40-00	PISTON RINGSET 4TH	2	ALTERNATE PART
3	137-11633-00-00	PIN, PISTON	2	
4	93450-17025-00	CIRCLIP	4	
5	93310-216E1-00	BEARING	2	
6	8L3-11400-00-00	CRANKSHAFT ASSEMBLY ...	1	
7	8G8-11412-01-00	. CRANK 1	1	
8	(8G8-11422-00-00)	CRANK 2	1	
9	(8G8-11432-00-00)	CRANK 3	1	
10	8G8-11442-01-00	. CRANK 4	1	
11	8G8-11681-00-00	. PIN, CRANK 1	2	
12	90209-22248-00	. WASHER	4	
13	34X-11651-00-00	. ROD, CONNECTING	2	
14	93310-42277-00	. BEARING, CYLINDER.#10 (93310-42231)	2	
15	93306-30618-00	. BEARING (B6306)	1	
16	93306-20617-00	. BEARING (B6206)	2	
17	93306-30564-00	. BEARING	1	
18	8G8-11515-01-00	. SEAL, LABYRINTH 1	1	
19	93440-72049-00	CIRCLIP	1	

CONTINUED ON NEXT FRAME ►

Property of www.SmallEngineDiscount.com - Not for Resale

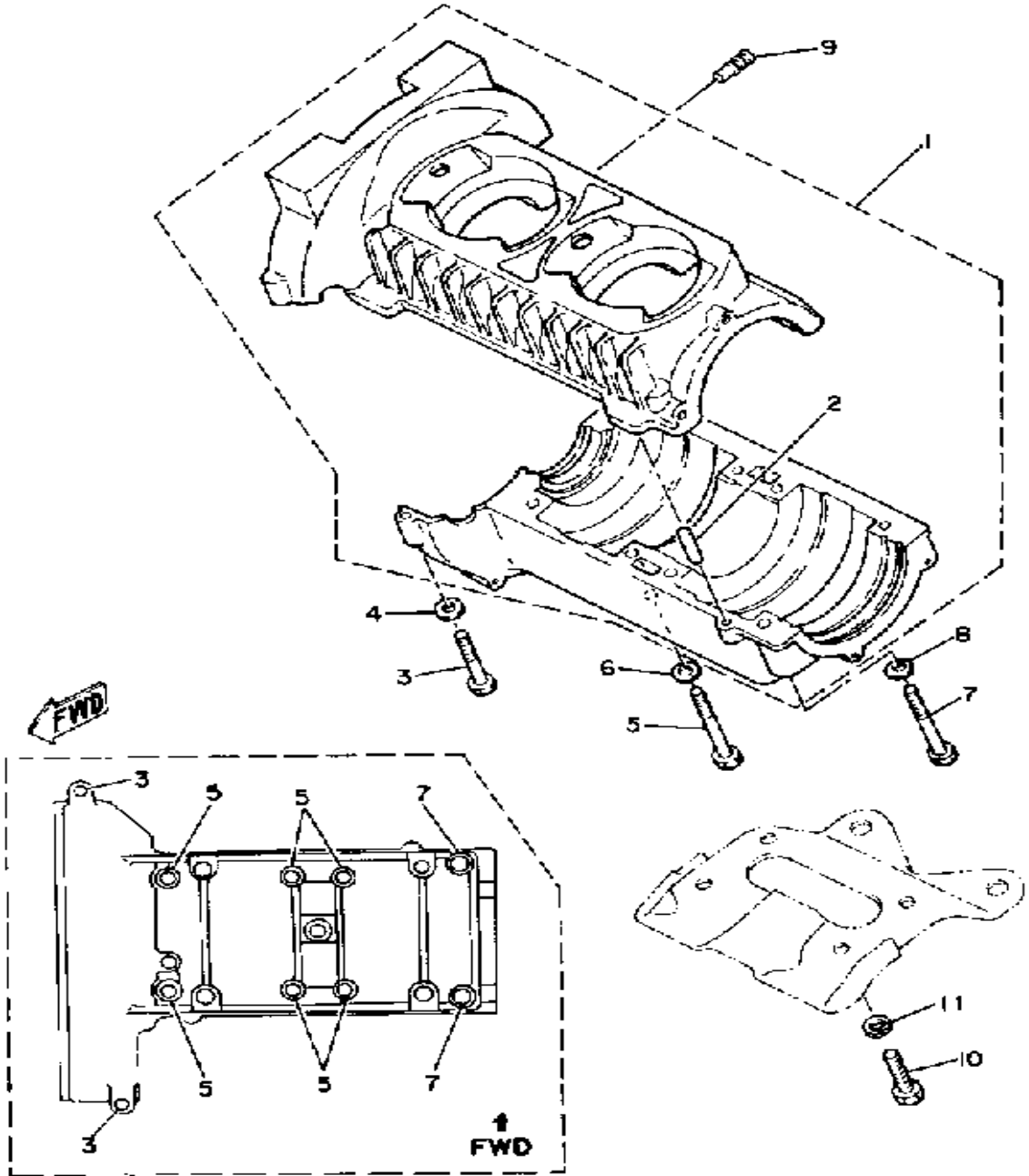
CRANKSHAFT - PISTON



Ref. No.	Part Number	Description	Qty	Remarks
20	93102-30184-00	OIL SEAL, SD-TYPE	1	
21	93102-25183-00	OIL SEAL	1	
22	90280-16053-00	KEY, WOODRUFF	1	
23	90170-16182-00	NUT	1	
24	92901-16100-00	WASHER, SPRING	1	

Property of www.SmallEngineDiscount.com - Not for Resale

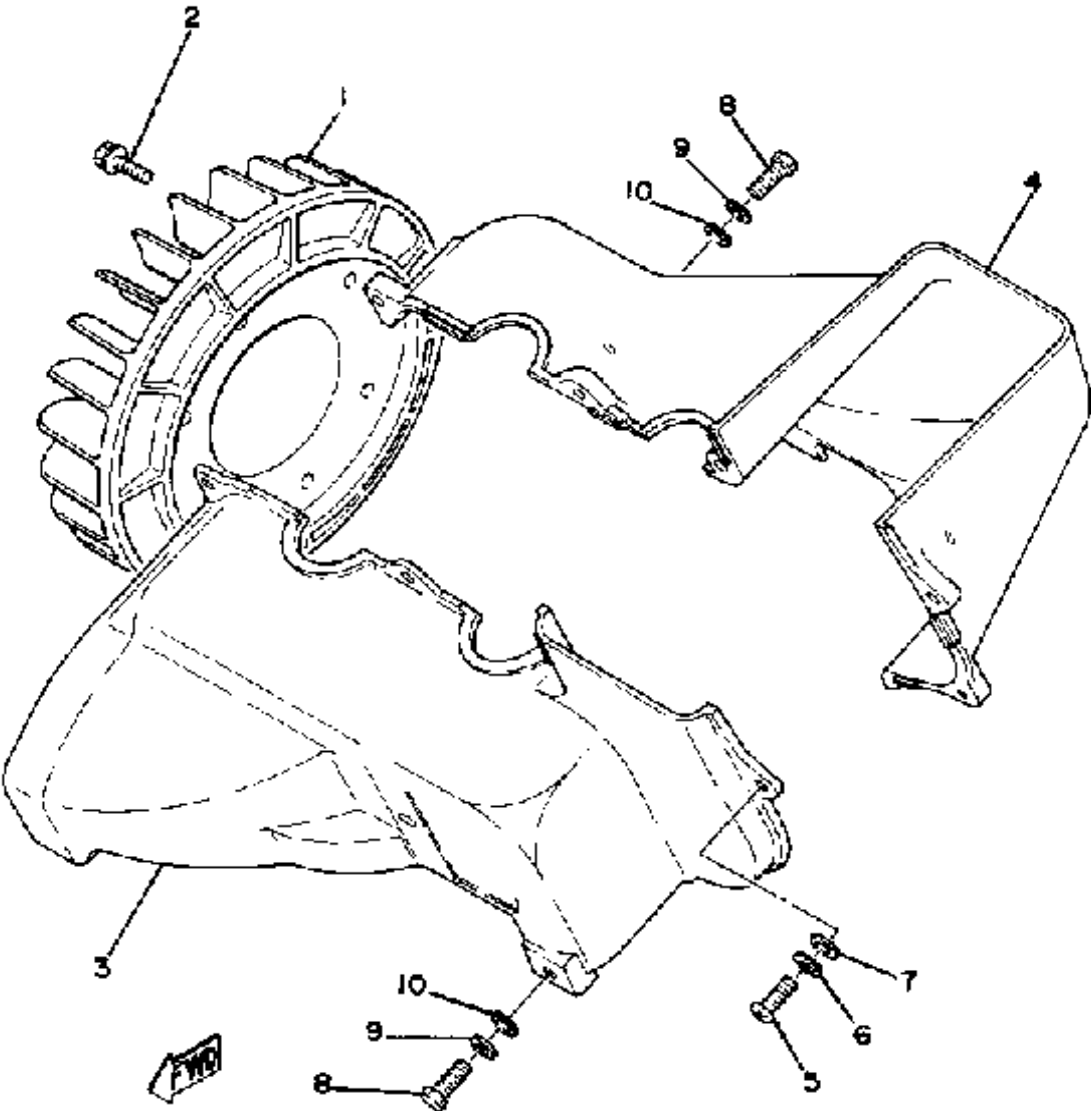
CRANKCASE



Ref. No.	Part Number	Description	Qty	Remarks
1	8G8-15100-02-00	CRANKCASE ASSEMBLY	1	
2	93605-10108-00	. PIN, DOWEL	2	
3	97313-08040-00	BOLT, HEXAGON (97322-08040)	2	
4	92901-08600-00	WASHER	2	
5	97013-08060-00	BOLT (663)	6	
6	92901-08600-00	WASHER	6	
7	97021-08070-00	BOLT	2	
8	92901-08600-00	WASHER	2	
9	8G8-24461-00-00	PIPE, JOINT	1	
10	90106-10034-00	BOLT, DOME HEAD	4	
11	92990-10100-00	WASHER, SPRING	4	

Property of www.SmallEngineDiscount.com - Not for Resale

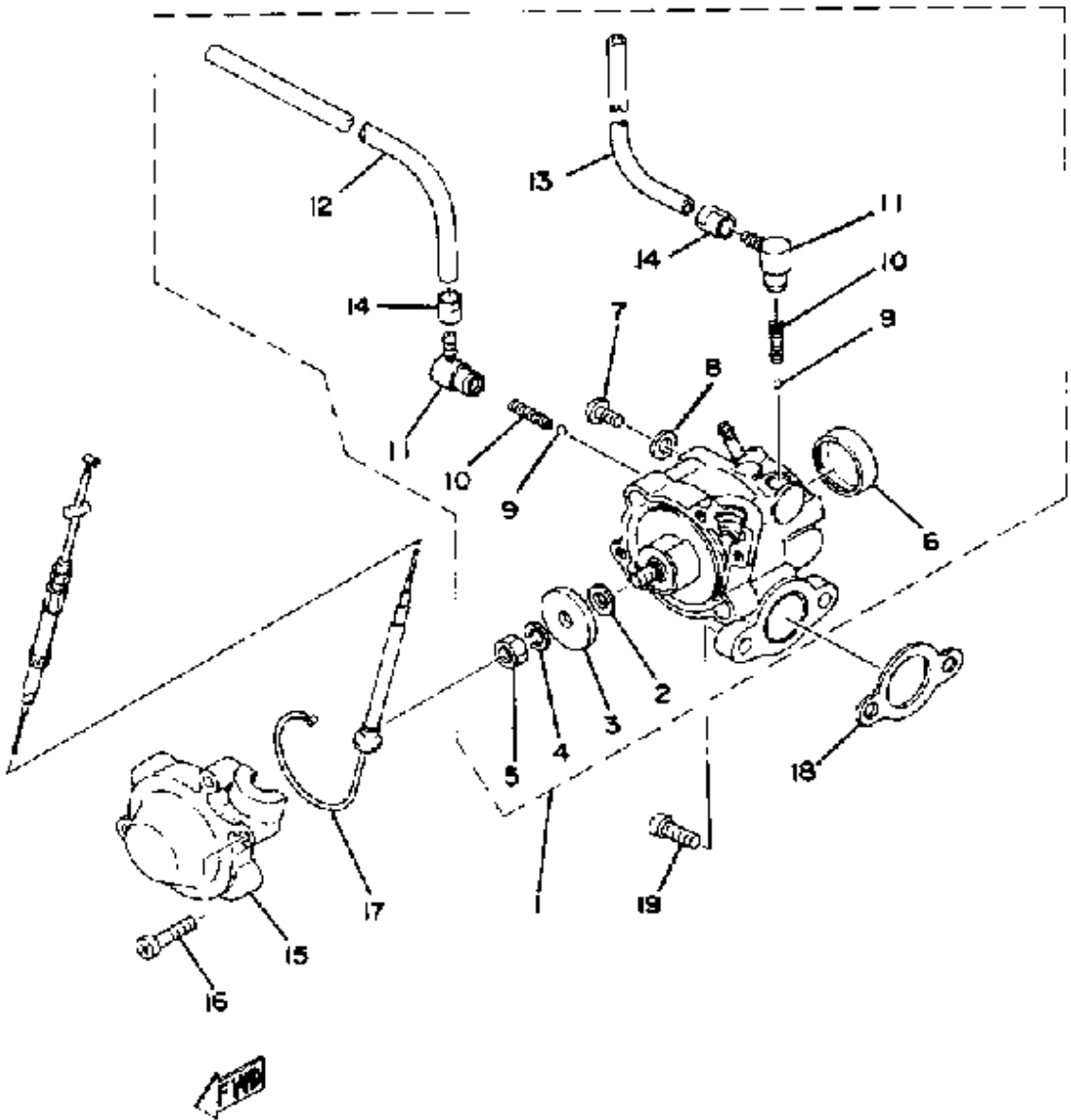
AIR SHROUD - FAN



Ref. No.	Part Number	Description	Qty	Remarks
1	8G8-12611-01-00	FAN	1	
2	95811-06012-00	BOLT, FLANGE	6	
3	8G8-12651-00-00	AIR SHROUD, CYLINDER 1 ...	1	
4	8G8-12652-00-00	AIR SHROUD, CYLINDER 2 ...	1	
5	98506-06016-00	SCREW, PANHEAD	5	
6	92906-06100-00	WASHER, SPRING	5	
7	92906-06600-00	WASHER	5	
8	97313-06016-00	BOLT, HEXAGON	6	
9	92995-06100-00	WASHER, SPRING	6	
10	90201-06059-00	WASHER, PLATE	6	

Property of www.SmallEngineDiscount.com - Not for Resale

OIL PUMP

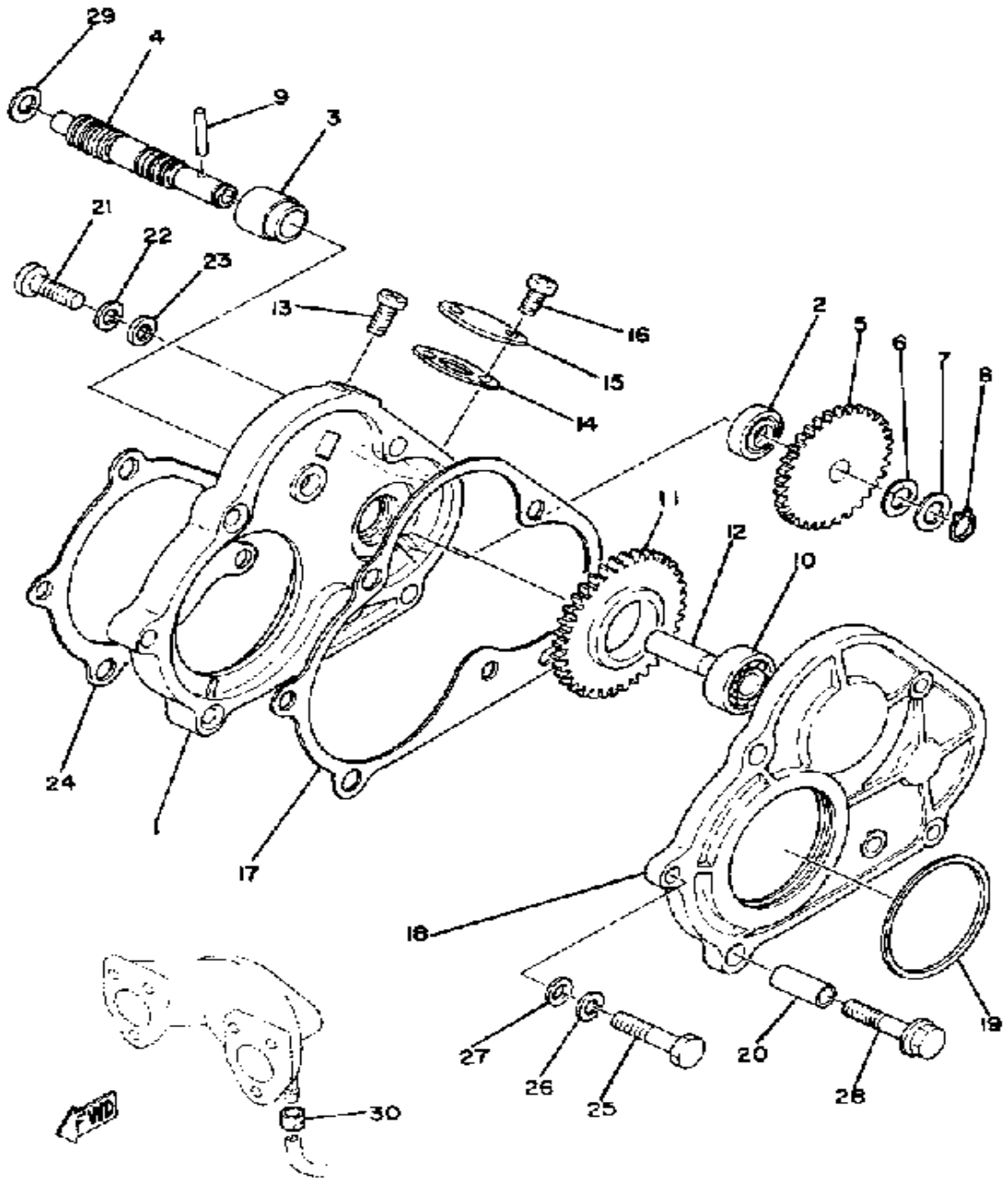


Ref. No.	Part Number	Description	Qty	Remarks
1	8G8-13101-00-00	OIL PUMP ASSEMBLY	1	
2	137-13137-00-03	. SHIM (0.3T)	1	U.R.
	137-13137-00-05	. SHIM (0.5T)	1	U.R.
	137-13137-00-10	. SHIM (1.0T)	1	U.R.
3	137-13138-01-00	. PLATE, ADJUSTING	1	
4	92990-05100-00	. WASHER, SPRING	1	
5	95380-05600-00	. NUT	1	
6	90338-21100-00	. PLUG	1	
7	98901-04008-00	. SCREW, BIND	1	
8	90430-04004-00	. GASKET	1	
9	93505-32002-00	. BALL	2	
10	90501-02018-00	. SPRING, COMPRESSION	2	
11	353-13552-01-00	. NOZZLE	2	
12	90445-05019-00	. HOSE	1	
13	90445-052F5-00	. HOSE	1	
14	90468-02033-00	. CLIP	2	
15	8A5-13146-01-00	COVER, ADJUST PULLEY	1	
16	98506-04018-00	SCREW, PAN HEAD	3	
17	8G8-26320-01-00	PUMP CABLE ASSEMBLY	1	
18	3MT-13116-00-00	GASKET, PUMP CASE (8Y0-13116-00)	1	
19	98580-05016-00	SCREW, PAN HEAD	2	

Property of www.SmallEngineDiscount.com - Not for Resale

PUMP DRIVE GEAR

Ref. No.	Part Number	Description	Qty	Remarks
1	8G8-15416-00-00	COVER, OIL PUMP	1	
2	93101-10090-00	OIL SEAL	1	
3	821-13176-00-00	METAL, WORM SHAFT OUTER	1	
4	821-13175-00-00	SHAFT, WORM	1	
5	821-13188-00-00	GEAR, DRIVE (32T)	1	
6	90206-11016-00	WASHER, WAVE	1	
7	137-13148-00-00	PLATE, CAM THRUST	1	
8	99009-10400-00	CIRCLIP	1	
9	93603-22028-00	PIN, DOWEL	1	
10	93306-00002-00	BEARING (B6000RS)	1	
11	8G8-13179-00-00	GEAR, IDLE	1	
12	8G8-13342-00-00	SHAFT, IDLE GEAR	1	
13	98580-06012-00	SCREW, PAN HEAD	1	
14	821-17818-02-00	GASKET	1	
15	824-17819-00-00	CAP, HOUSING	1	
16	98580-05010-00	SCREW, PAN HEAD	2	
17	8G8-15466-01-00	GASKET 2	1	
18	8G8-15426-00-00	COVER, OIL PUMP R	1	
19	93112-53004-00	OIL SEAL, SR-TYPE	1	
20	91810-18025-00	PIN, DOWEL	2	
21	98580-06020-00	SCREW	2	
22	92995-06100-00	WASHER, SPRING	2	
23	92901-06600-00	WASHER	2	
24	8G8-15456-01-00	GASKET, O/P P CVR 1	1	
25	97021-06030-00	BOLT	2	
26	92995-06100-00	WASHER, SPRING	2	
27	92901-06600-00	WASHER	2	
28	95811-06035-00	BOLT, FLANGE	2	
29	90201-08624-00	WASHER, PLATE	1	

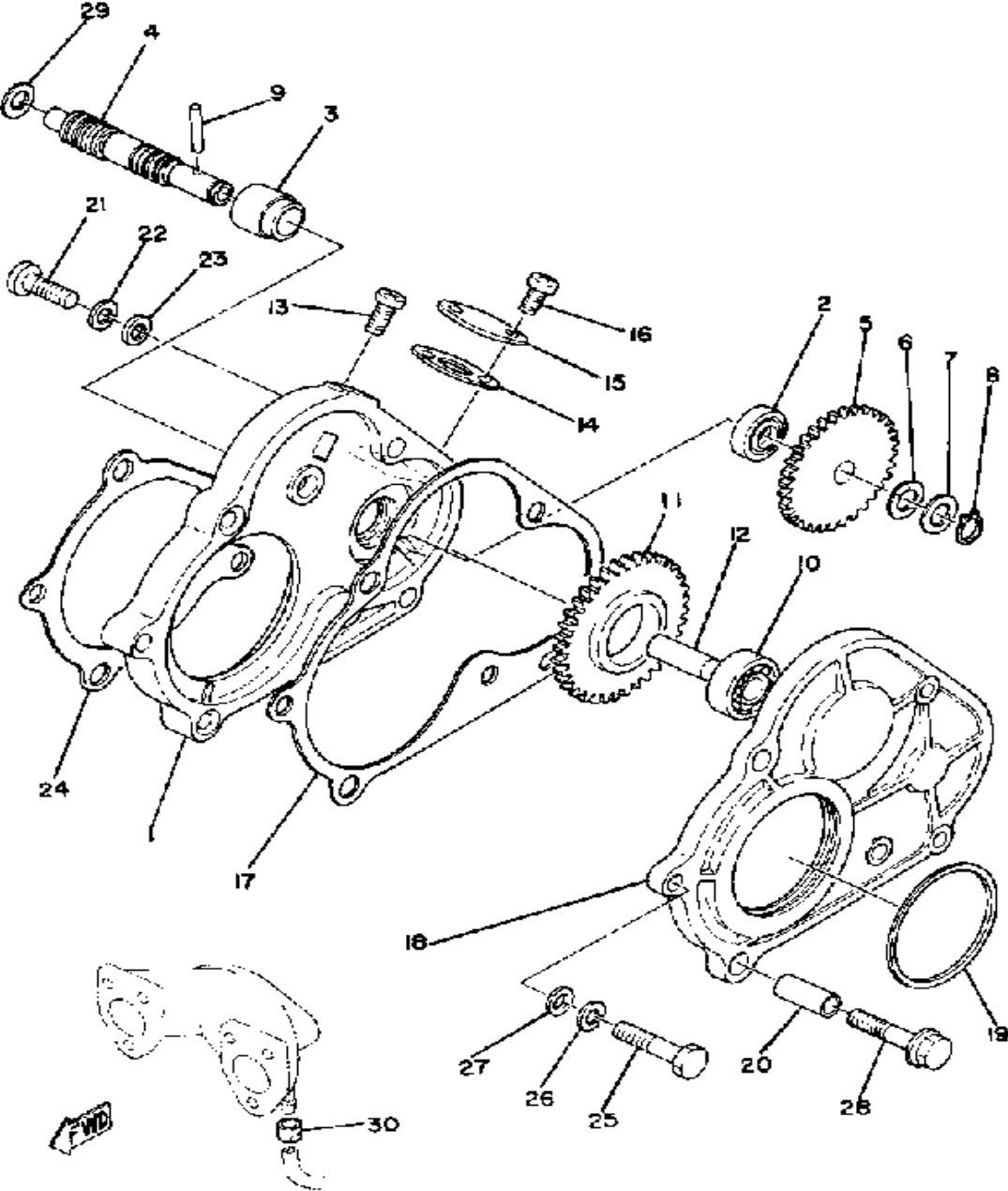


CONTINUED ON NEXT FRAME ➤

Property of www.SmallEngineDiscount.com - Not for Resale

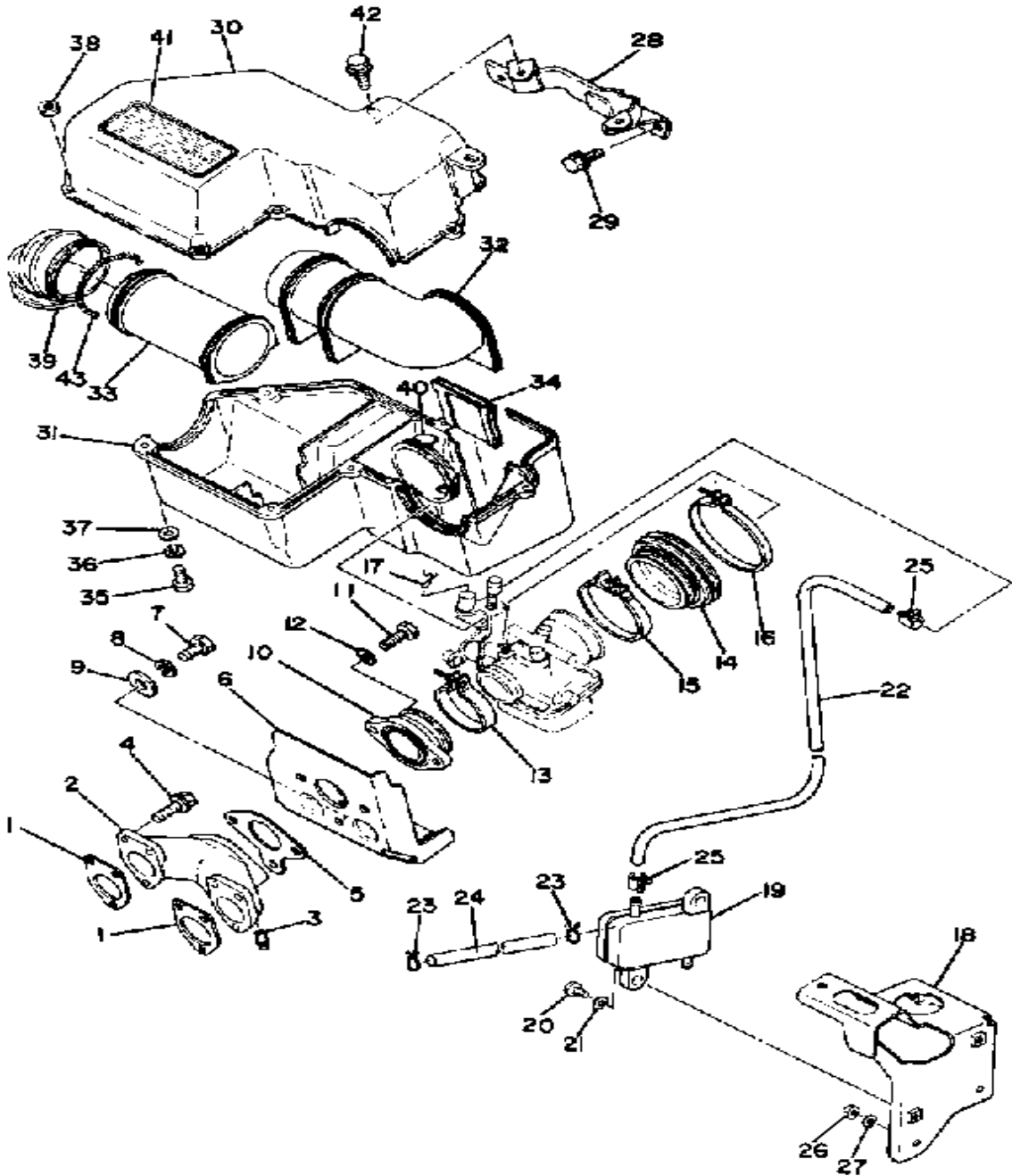
PUMP DRIVE GEAR

Ref. No.	Part Number	Description	Qty	Remarks
30	90468-02033-00	CLIP	2	



Property of www.SmallEngineDiscount.com - Not for Resale

INTAKE

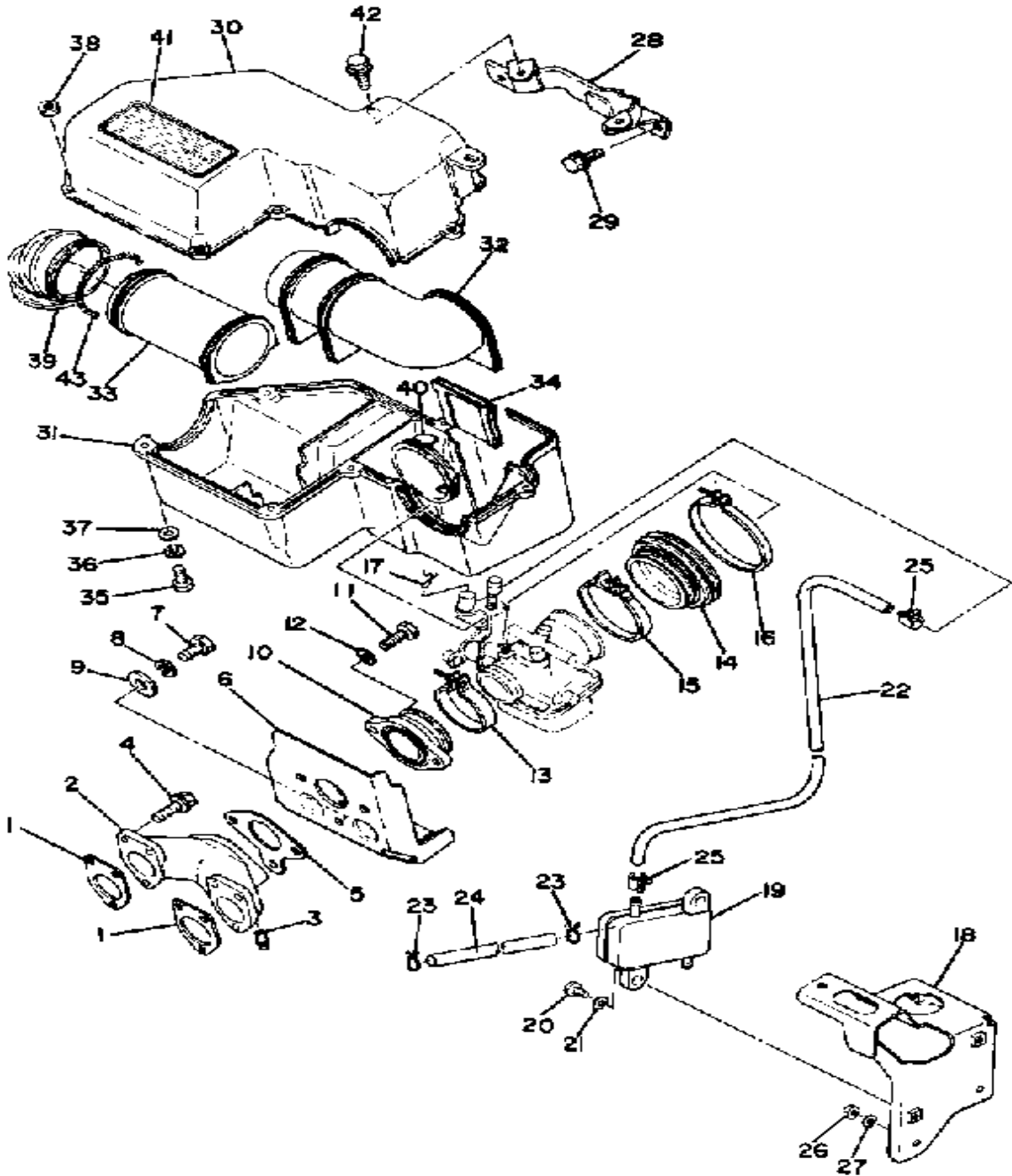


Ref. No.	Part Number	Description	Qty	Remarks
1	8Y2-13563-02-00	GASKET	2	
2	8G8-13565-00-00	JOINT, CARBURETOR	1	
3	824-13552-00-00	NOZZLE	2	
4	95811-06020-00	BOLT, FLANGE	6	
5	8Y2-13556-01-00	GASKET, MANIFOLD	1	
6	8H5-13567-00-00	GASKET	1	
7	97313-08012-00	BOLT	1	
8	92990-08100-00	WASHER	1	
9	90209-08150-00	WASHER, SPEC'L SHAP (90209-08097)	1	
10	8G8-13555-01-00	MANIFOLD, INTAKE	1	
11	97001-08025-00	BOLT (1NV)	2	
12	92901-08600-00	WASHER	2	
13	86M-13575-00-00	BAND	1	
14	8G8-14453-01-00	JOINT, AIR CLNR 1	1	
15	90460-68230-00	CLAMP, HOSE	1	
16	90460-85277-00	CLAMP, HOSE	1	
17	822-41222-00-00	CLAMP, THROTTLE	1	
18	8G8-24491-00-00	BRACKET, FUEL PUMP	1	
19	8J6-24410-00-00	FUEL PUMP ASSEMBLY	1	
20	97313-06016-00	BOLT, HEXAGON	2	
21	92901-06600-00	WASHER	2	
22	91A30-05024-00	TUBE, FLEXIBLE VINYL	1	
23	90467-09006-00	CLIP	2	
24	90445-10140-00	HOSE	1	
25	90467-09026-00	CLIP	2	
26	95380-06600-00	NUT	2	
27	92995-06100-00	WASHER, SPRING	2	
28	8G8-14498-00-00	STAY 1	1	

CONTINUED ON NEXT FRAME ►

Property of www.SmallEngineDiscount.com - Not for Resale

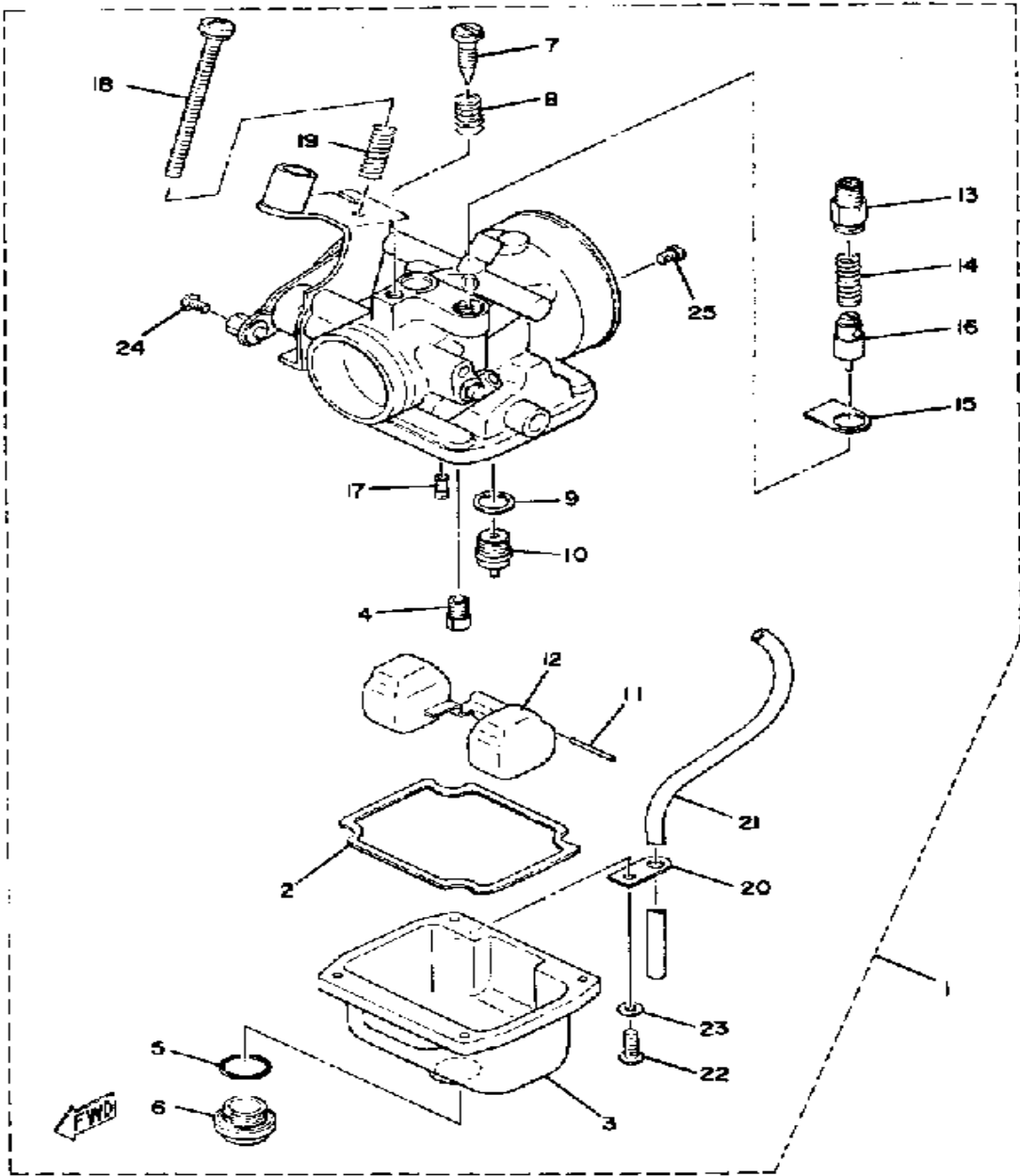
INTAKE



Ref. No.	Part Number	Description	Qty	Remarks
29	98580-06010-00	SCREW, PAN HEAD (92503-06010)	2	
30	8G8-14431-00-00	SILENCER, INTAKE 1	1	
31	8G8-14441-00-00	SILENCER, INTAKE 2	1	
32	8G8-14419-00-00	PIPE	1	
33	8G8-14465-00-00	PIPE	1	
34	8G8-14477-00-00	PLATE	1	
35	98580-05020-00	SCREW, PAN HEAD	6	
36	92990-05100-00	WASHER, SPRING	6	
37	92901-05600-00	WASHER, PLATE	6	
38	95380-05600-00	NUT	6	
39	8N5-14423-00-00	PIPE, SUCTION 1	1	
40	8G8-14466-01-00	PIPE	1	
41	8A5-14488-00-00	LABEL, CAUTION	1	
42	95821-06014-00	BOLT, FLANGE	3	
43	90506-06083-00	SPRING, TENSION	1	

Property of www.SmallEngineDiscount.com - Not for Resale

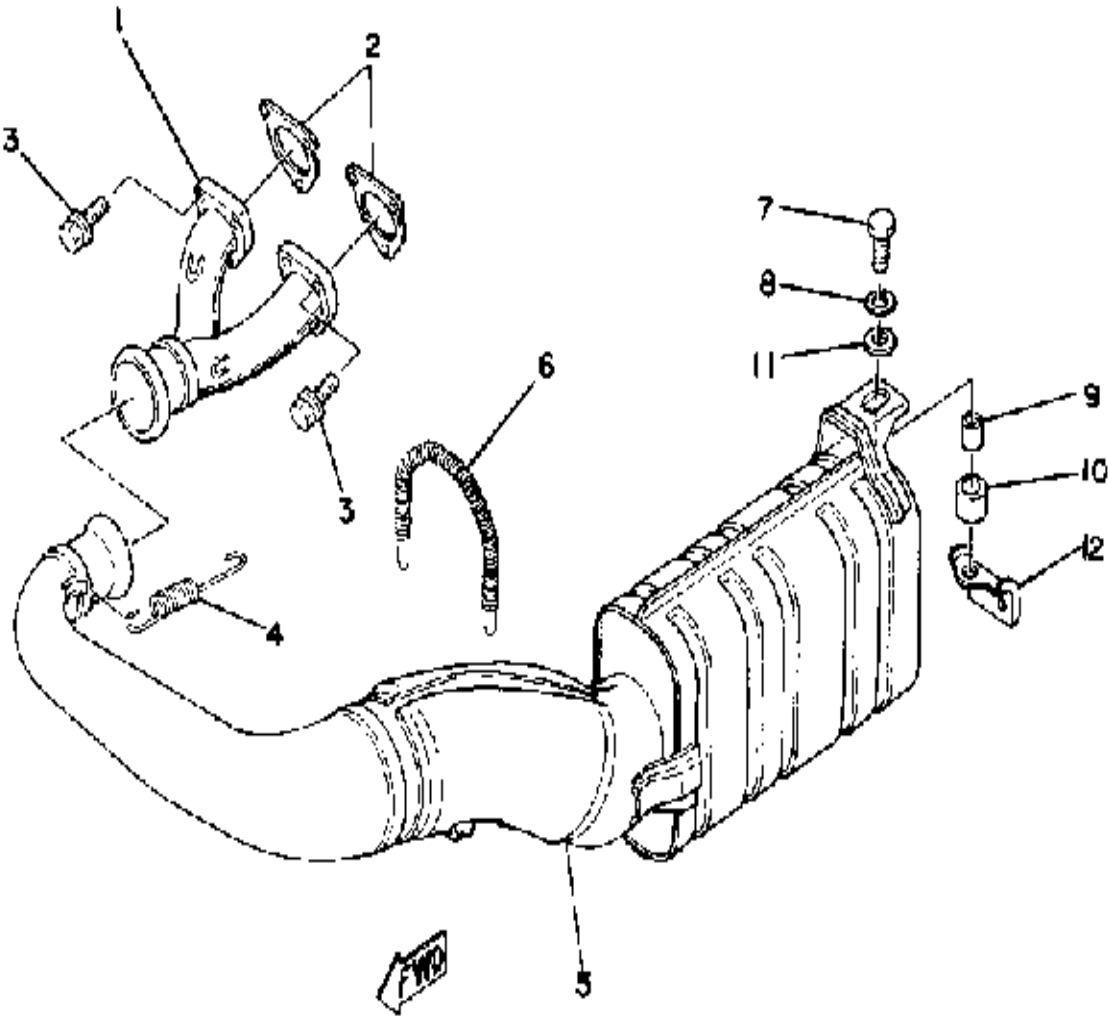
CARBURETOR



Ref. No.	Part Number	Description	Qty	Remarks
1	8J6-14101-00-00	CARBURETOR ASSEMBLY 1	1	
2	8G8-14184-00-00	. GASKET, FLOAT CHMBR	1	
3	(8H5-14181-00-00)	BODY, FLOAT CHMBR 1	1	
4	137-14143-40-A1	. JET, MAIN #2 0	1	U.R.
	137-14143-42-A1	. JET, MAIN #2 0	1	U.R.
	137-14143-44-A1	. JET, MAIN #2 0	1	U.R.
	137-14143-48-A1	. JET, MAIN (#240)	1	U.R. STD
5	558-14147-00-00	. O-RING	1	
6	500-14115-00-00	. PLUG, SCREW	1	
7	8G8-14123-00-00	. SCREW, AIR ADJUSTING	1	
8	137-14134-00-00	. SPRING, AIR ADJUSTING	1	
9	239-14195-00-00	. WASHER, NEEDLE VALVE	1	
10	8H5-14190-15-00	. NEEDLE VALVE ASSEMBLY	1	
11	537-14186-00-00	. PIN, FLOAT	1	
12	8H5-14185-00-00	. FLOAT	1	
13	8G8-14174-00-00	. CAP, PLUNGER	1	
14	127-14135-00-00	. SPRING, PLUNGER	1	
15	8G8-14178-00-00	. PLATE, STARTER LVR	1	
16	8G8-14171-00-00	. PLUNGER, STARTER	1	
17	193-14142-75-00	. JET, PILOT (# 75)	1	
18	98580-05550-00	. SCREW, PAN HEAD	1	
19	(849-14134-00-00)	SPRING, AIR ADJUSTING	1	
20	313-14146-00-00	. PLATE	1	
21	8G8-14196-00-00	. PIPE, OVERFLOW	1	
22	98580-05016-00	. SCREW, PAN HEAD	4	
23	92990-05100-00	. WASHER, SPRING	4	
24	98580-04008-00	. SCREW, PAN HEAD	1	
25	239-14172-10-00	. PILOT JET, AIR (1.0)	1	

Property of www.SmallEngineDiscount.com - Not for Resale

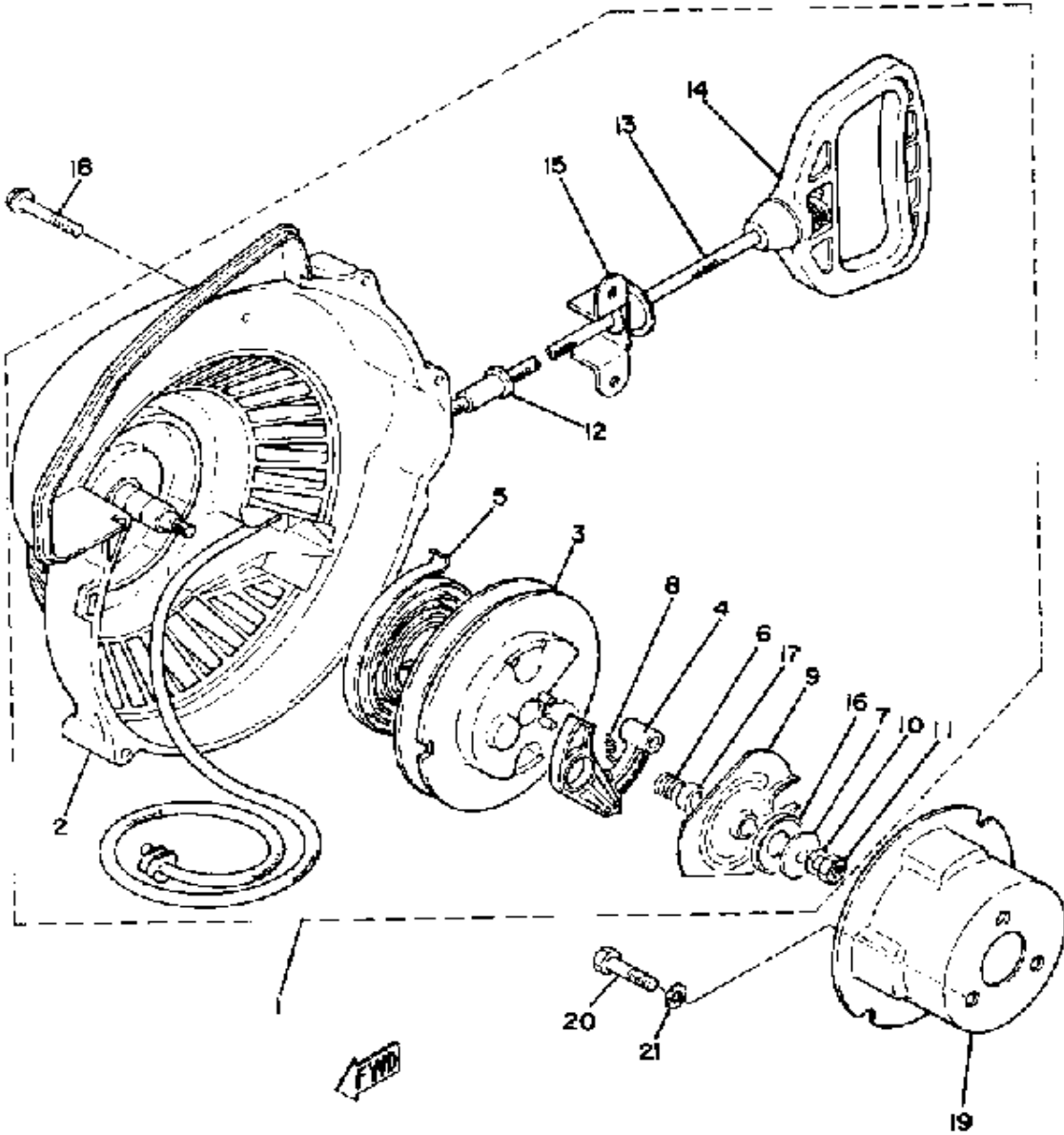
EXHAUST



Ref. No.	Part Number	Description	Qty	Remarks
1	8G8-14610-00-00	EXHAUST PIPE ASSEMBLY 1	1	
2	8G8-14613-01-00	GASKET, EXHAUST PIPE	2	
3	95811-06020-00	BOLT, FLANGE	6	
4	821-14773-00-00	SPRING, MUFFLER	2	
5	8M8-14710-00-00	MUFFLER ASSEMBLY L	1	
6	90506-16130-00	SPRING, TENSION	1	
7	97313-08030-00	BOLT, HEXAGON	1	
8	92990-08100-00	WASHER	1	
9	90387-08778-00	COLLAR	1	
10	8G8-14747-00-00	DAMPER, MUFFLER	1	
11	90201-08753-00	WASHER, PLATE	1	
12	8G8-14771-00-00	STAY, MUFFLER 1	1	

Property of www.SmallEngineDiscount.com - Not for Resale

STARTER

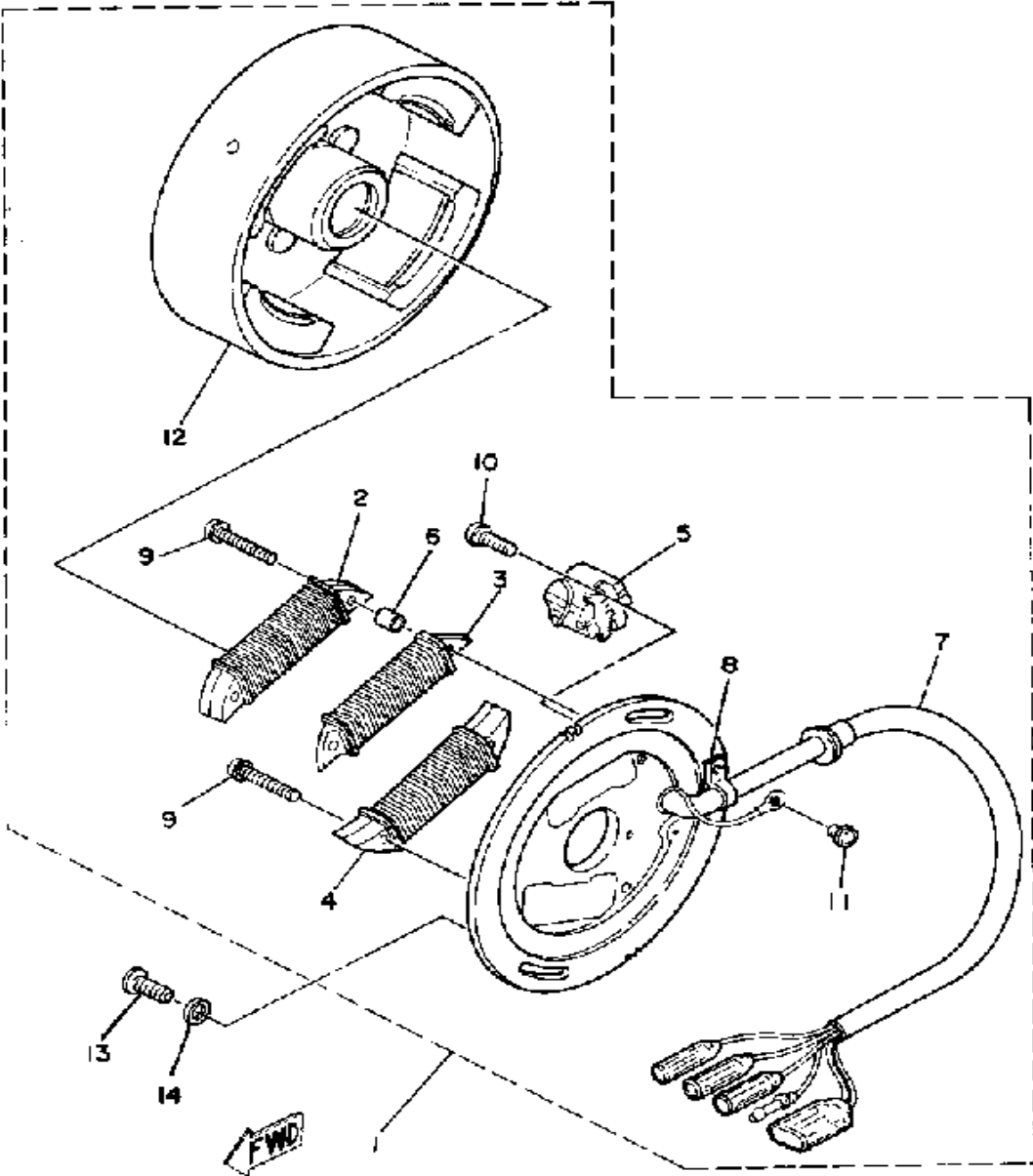


Ref. No.	Part Number	Description	Qty	Remarks
1	8G8-15710-01-00	STARTER ASSEMBLY	1	
2	8G8-15711-01-00	. CASE, STARTER	1	
3	8F3-15714-01-00	. DRUM, SHEAVE	1	
4	8F3-15741-01-00	. PAWL, DRIVE	1	
5	8F3-15713-01-00	. SPRING, STARTER	1	
6	8F3-15715-00-00	. SPRING, FRICTION	1	
7	8F3-15739-01-00	. WASHER, THRUST	1	
8	8F3-15734-00-00	. SPRING, RETURN	1	
9	8F3-15716-03-00	. PLATE, DRIVE	1	
10	92995-06100-00	. WASHER, SPRING	1	
11	95380-06700-00	. NUT	1	
12	8F3-15758-00-00	. GUIDE, ROPE	1	
13	857-15751-00-00	. WIRE, STARTER	1	
14	8F3-15755-00-00	. HANDLE, STARTER	1	
15	8F3-15788-01-00	. HOLDER, HANDLE	1	
16	8G5-15739-00-00	. WASHER, THRUST	1	
17	82M-15779-00-00	. COVER	1	
18	95811-06045-00	BOLT, flange (95812-06045-00)	5	
19	8G8-15723-00-00	PULLEY, STARTER	1	
20	97011-08016-00	BOLT	3	
21	92990-08100-00	WASHER	3	

Property of www.SmallEngineDiscount.com - Not for Resale

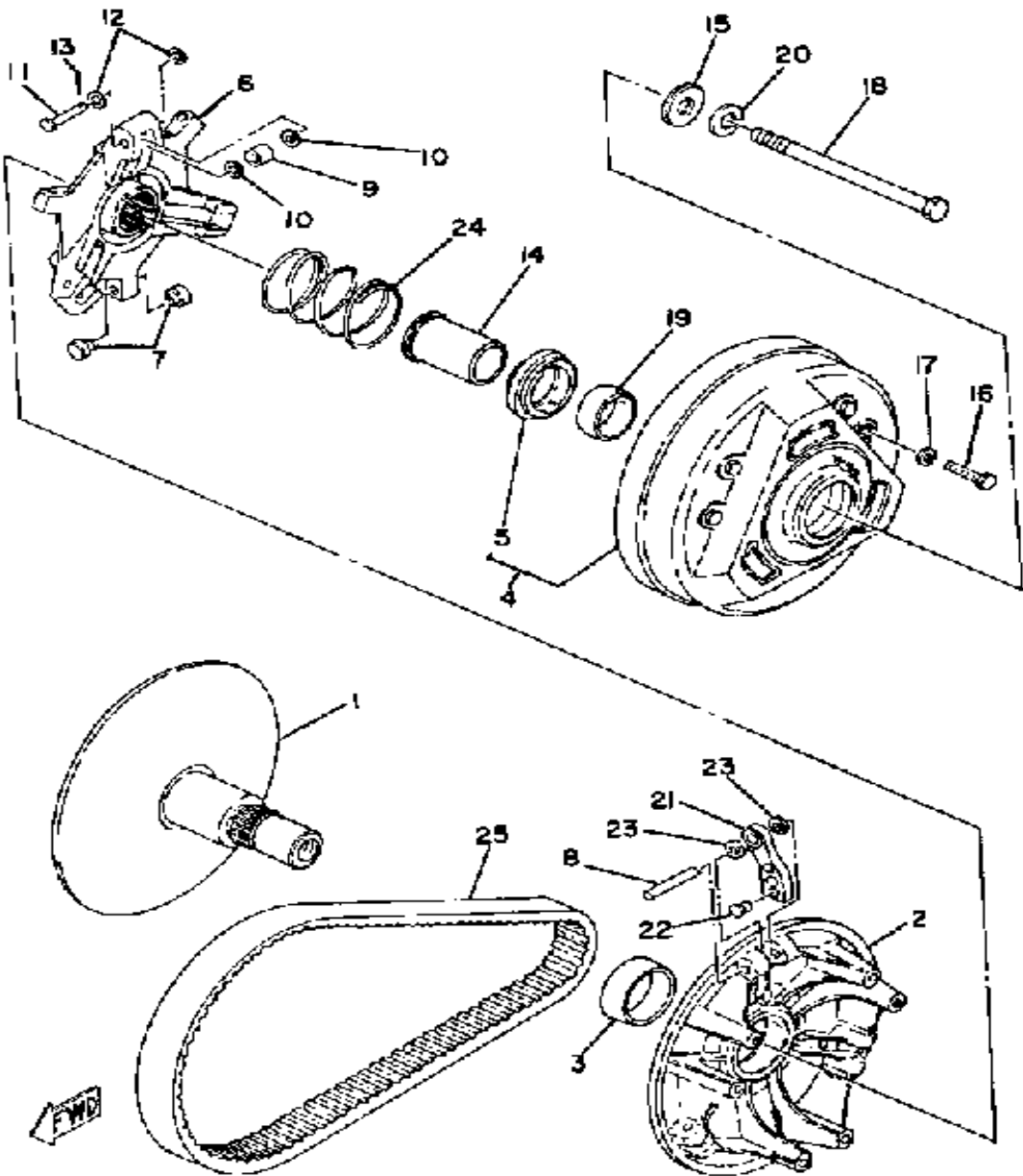
C - D - I - MAGNETO

Ref. No.	Part Number	Description	Qty	Remarks
1	(8J6-85500-20-00)	CDI MAGNETO ASSEMBLY ...	1	
2	8H4-85511-20-00	. COIL SOURCE 1	1	
3	8H5-85541-20-00	. COIL, CHARGE	1	
4	8G8-85513-20-00	. COIL, LIGHTING 1	1	
5	8H4-85580-20-00	. COIL, PULSER (8G8-85580-20)	1	
6	8G8-85519-20-00	. SPACER	2	
7	8G8-85515-20-00	. LEAD WIRE ASSEMBLY	1	
8	104-81328-20-00	. CLAMP	1	
9	98501-05035-00	. SCREW, PAN HEAD	4	
10	(8J5-81346-20-00)	SCREW, PAN HEAD	2	
11	(8J5-81347-20-00)	SCREW, PAN HEAD	1	
12	8J6-85550-20-00	. ROTOR ASSEMBLY	1	
13	98903-06014-00	SCREW, BIND	2	
14	90201-06043-00	WASHER, PLATE	2	



Property of www.SmallEngineDiscount.com - Not for Resale

PRIMARY SHEAVE

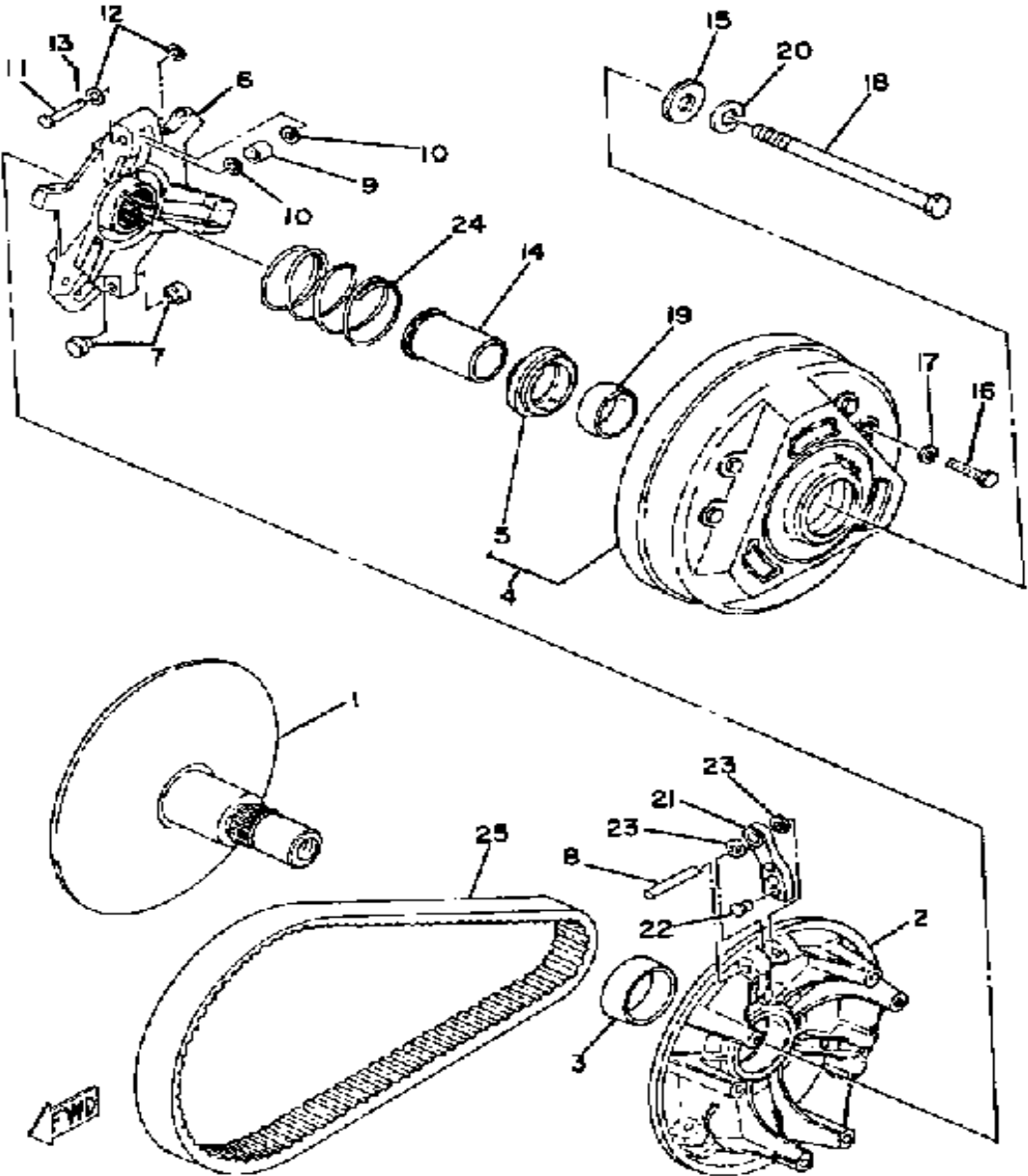


Ref. No.	Part Number	Description	Qty	Remarks
1	8H8-W1761-00-00	PRI. FIXED SHEAVE	1	
2	8E7-17621-01-00	SHEAVE, PRI SLIDING	1	
3	90389-41018-00	BUSH, SPEC'L SHAPE	1	
4	8E7-W1762-00-00	PRI. SHEAVE CAP	1	
5	8E7-17644-02-00	. SEAT, SPRING	1	
6	8A7-17627-00-00	SPIDER	1	
7	8F2-17653-00-00	SLIDER	6	
8	93607-44120-00	PIN, DOWEL	3	
9	90387-06560-00	COLLAR	3	
10	90202-06113-00	WASHER, PLATE	6	
11	90240-06062-00	PIN, CLEVIS	3	
12	92990-06200-00	WASHER	6	
13	91401-25020-00	PIN, COTTER	3	
14	90387-28630-00	COLLAR	1	
15	8A7-17654-00-00	SPACER 1	1	
16	97313-06030-00	BOLT, HEXAGON	6	
17	92995-06100-00	WASHER, SPRING	6	
18	90101-13406-00	BOLT	1	
19	90389-34019-00	BUSH, SPEC'L SHAPE	1	
20	90204-13010-00	WASHER, SPRING	1	
21	8G8-17632-00-00	WEIGHT, CLUTCH	3	
22	90261-06017-00	RIVET, COUNTERSUNK (ST11.3MM)	3	
23	90201-07641-00	WASHER, PLATE	6	
24	90501-50500-00	SPRING, COMPRESSION	1	
25	(8G5-00000-50-00)	CLUTCH TUNE UP KIT		OPTIONAL PARTS KITMARKED WITH +
	(8G8-17000-10-00)	CLUTCH WEIGHT KIT		OPTIONAL PARTS KITMARKED WITH +
	820-17641-00-00	V-BELT	1	

CONTINUED ON NEXT FRAME ➤

Property of www.SmallEngineDiscount.com - Not for Resale

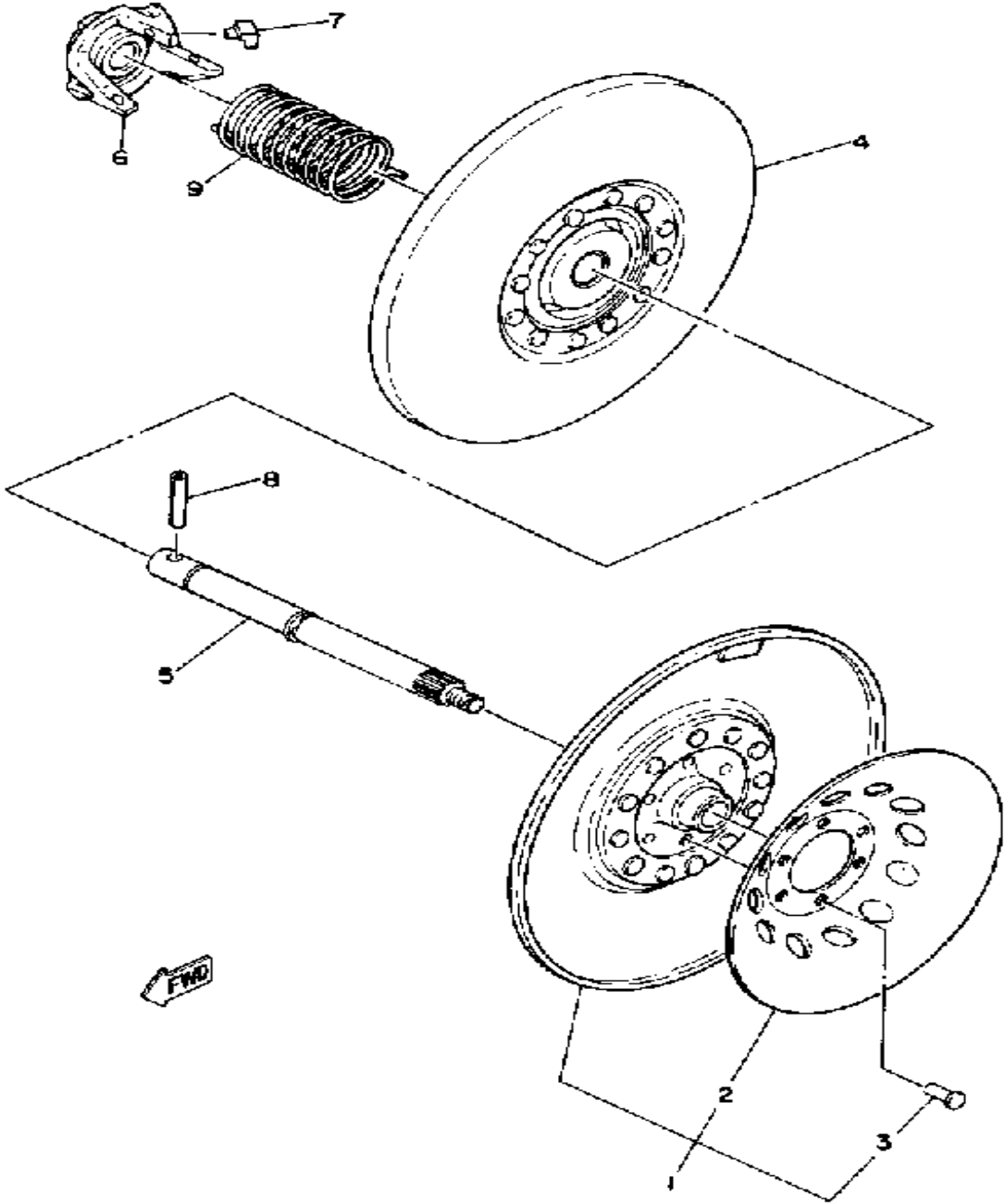
PRIMARY SHEAVE



Ref. No.	Part Number	Description	Qty	Remarks
25	8G6-17601-09-00	PRIMARY SHEAVE ASSEMBLY		OPTIONAL PARTS KITMARKED WITH +

Property of www.SmallEngineDiscount.com - Not for Resale

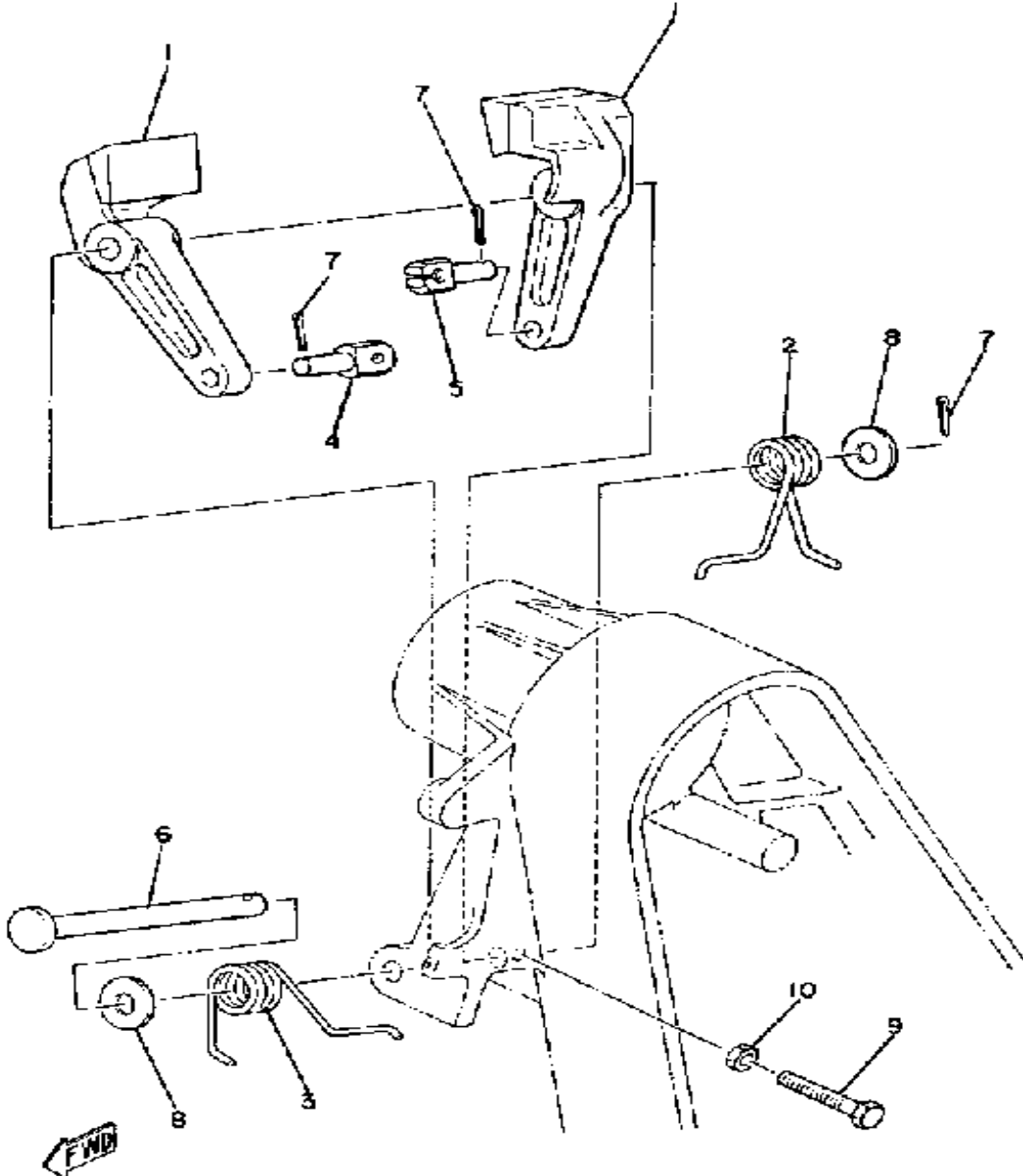
SECONDARY SHEAVE



Ref. No.	Part Number	Description	Qty	Remarks
1	(8G8-17660-00-00)	SEC FXD SHV	1	
2	8F3-25711-00-00	. DISC, BRAKE	1	
3	90263-05023-00	. RIVET, FLAT HEAD	6	
4	85T-17670-00-00	SEC SLIDING SHEAVESHEAVE	1	
5	8G8-17681-01-00	SHAFT, SECONDARY	1	
6	810-17684-01-00	SEAT, SEC SPRINGSRING ..	1	
7	801-17688-10-00	SHOE, RAMP	3	
8	90254-08001-00	PIN, SPRING TYPE	1	
9	90508-40080-00	SPRING, TORSION	1	

Property of www.SmallEngineDiscount.com - Not for Resale

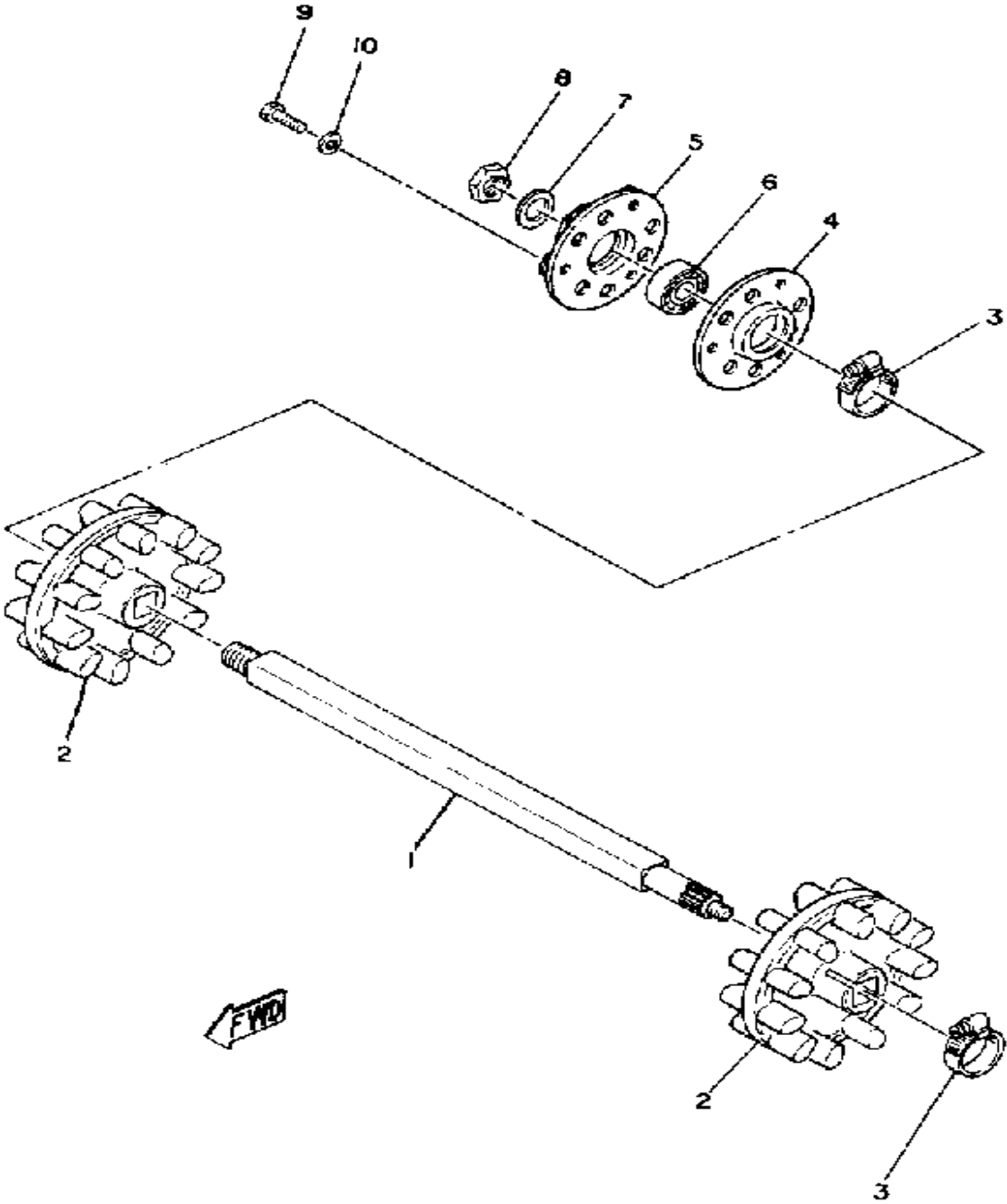
BRAKE



Ref. No.	Part Number	Description	Qty	Remarks
1	8F3-25730-00-00	CALIPER BODY 1COMP 1	2	
2	90508-26335-00	SPRING, TORSION	1	
3	90508-26336-00	SPRING, TORSION	1	
4	90249-06012-00	PIN	1	
5	90249-06009-00	PIN	1	
6	90240-08023-00	PIN, CLEVIS	1	
7	91490-20020-00	PIN, COTTER	3	
8	92901-08600-00	WASHER	2	
9	90101-05355-00	BOLT	1	
10	95311-05700-00	NUT	1	

Property of www.SmallEngineDiscount.com - Not for Resale

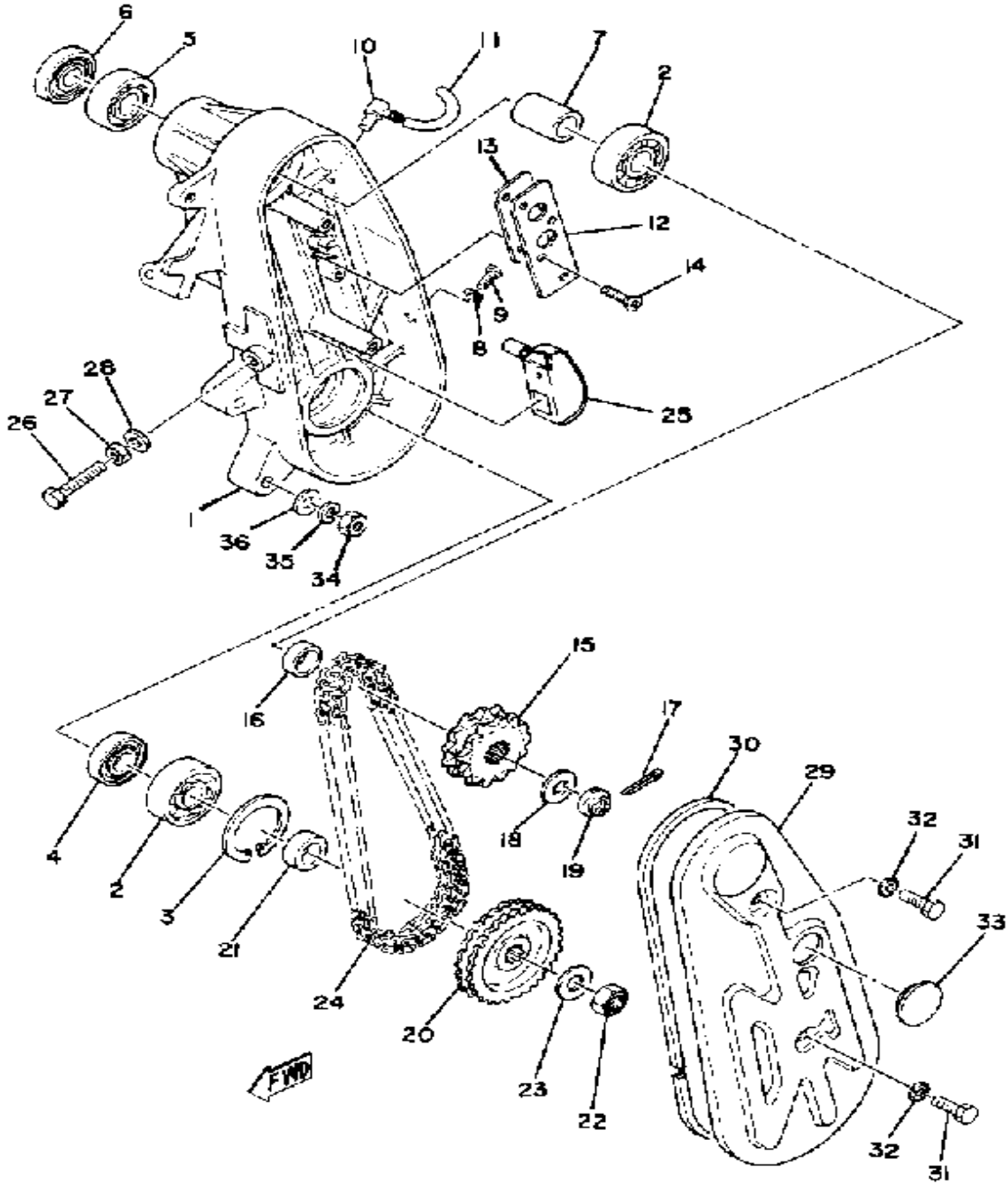
TRACK DRIVE 1



Ref. No.	Part Number	Description	Qty	Remarks
1	8G8-W4751-00-00	AXLE, FRONT	1	
2	8H9-47531-00-00	WHEEL, SPROCKET 1	2	
3	90460-50079-00	CLAMP, HOSE	2	
4	8F3-47551-00-00	HOUSING, FRONT AXLE	1	
5	8G5-47551-01-00	HOUSING, FRONT AXLE	1	
6	93306-00441-00	BEARING (89A) (B6004RS)	1	
7	90208-20008-00	WASHER, CONICAL SPRING	1	
8	90170-20211-00	NUT	1	
9	97011-08016-00	BOLT	3	
10	92990-08100-00	WASHER	3	

Property of www.SmallEngineDiscount.com - Not for Resale

TRACK DRIVE 2

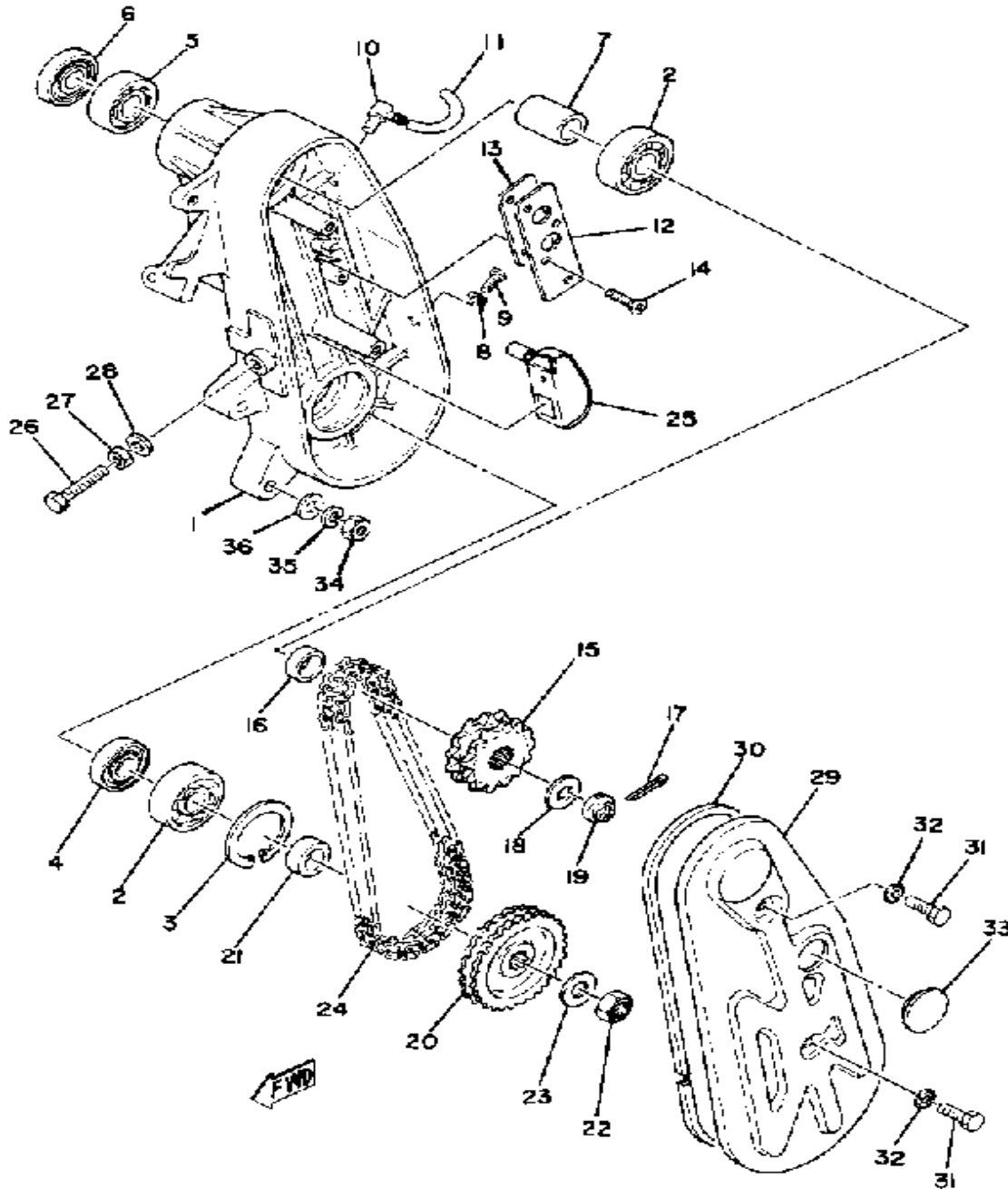


Ref. No.	Part Number	Description	Qty	Remarks
1	8F3-47541-00-00	HOUSING, CHAIN	1	
2	93306-30407-00	BEARING (B6304C3)	2	
3	99009-52500-00	CIRCLIP	1	
4	93102-20447-00	OIL SEAL	1	
5	93306-20458-00	BEARING	1	
6	93102-30083-00	SEAL, OIL	1	
7	90387-20580-00	COLLAR	1	
8	90430-06016-00	GASKET	1	
9	98580-06010-00	SCREW, PAN HEAD (92503-06010)	1	
10	583-15371-00-00	BREATHER	1	
11	90445-09055-00	HOSE	1	
12	8G8-47591-00-00	PLATE	1	
13	85T-47592-00-00	GASKET	1	
14	98701-05016-00	SCREW, FLAT HEAD	4	
15	802-17682-20-00	SPROCKET, CHAIN DRIVE (11T)	1	U.R.
	802-17682-40-00	SPRKT, CHAIN DR 13TCHAIN DRIVE (13T) (806-17682-30-0)	1	U.R. STD
	806-17682-20-00	SPROCKET, CHAIN DRIVE (12T)	1	U.R.
	806-17682-40-00	SPROCKET, CHAIN DRIVE (14T)	1	U.R.
16	90387-19649-00	COLLAR	1	
17	91401-25030-00	PIN, COTTER	1	
18	90201-122H1-00	WASHER, PLATE	1	
19	90185-12119-00	NUT, SELF-LOCKING	1	
20	8G8-47548-10-00	SPROCKET, CHN DRVN	1	U.R.
	8G8-47548-20-00	SPROCKET, CHN DRVN	1	U.R. STD
	8G8-47548-30-00	SPROCKET, CHN DRVN	1	U.R.

CONTINUED ON NEXT FRAME ➤

Property of www.SmallEngineDiscount.com - Not for Resale

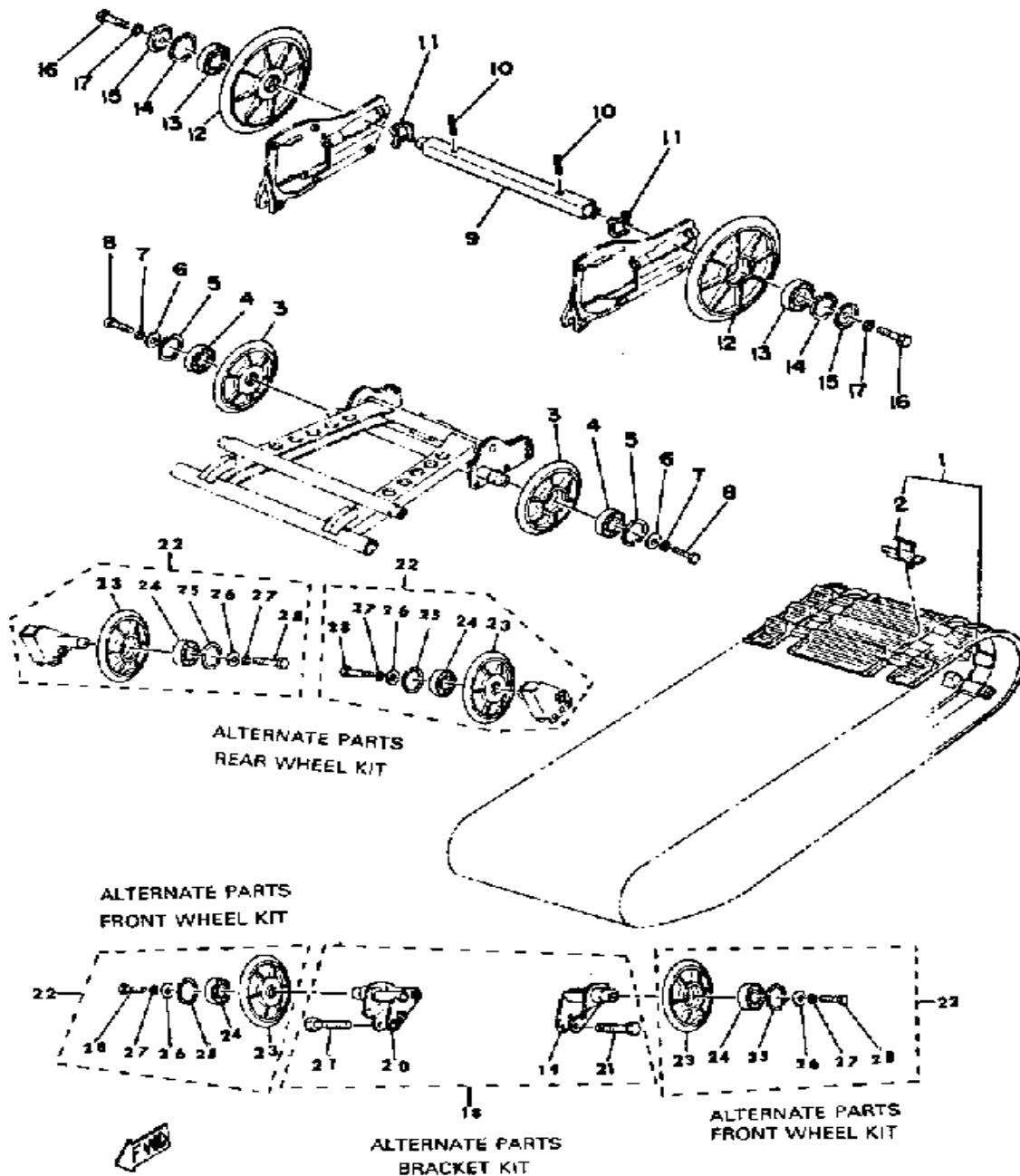
TRACK DRIVE 2



Ref. No.	Part Number	Description	Qty	Remarks
21	90387-20155-00	COLLAR	1	
22	95601-10100-00	NUT, U (95602-10100-00)	1	
23	90201-10437-00	WASHER, PLATE	1	
24	94880-01060-00	CHAIN 60L	1	
25	8G8-47611-00-00	TENSIONER	1	
26	90101-10357-00	BOLT	1	
27	95303-10700-00	NUT	1	
28	90210-10004-00	WASHER, SEAL	1	
29	8F3-47543-00-00	CAP, HOUSING	1	
30	8F3-47558-00-00	RING, HOUSING (97302-08020)	1	
31	97313-08020-00	BOLT, HEXAGON	2	
32	90210-08002-00	WASHER, SEAL	2	
33	148-22315-00-00	CAP	1	
34	95333-08600-00	NUT	4	
35	92990-08100-00	WASHER	4	
36	92990-08200-00	WASHER, PLAIN	4	

Property of www.SmallEngineDiscount.com - Not for Resale

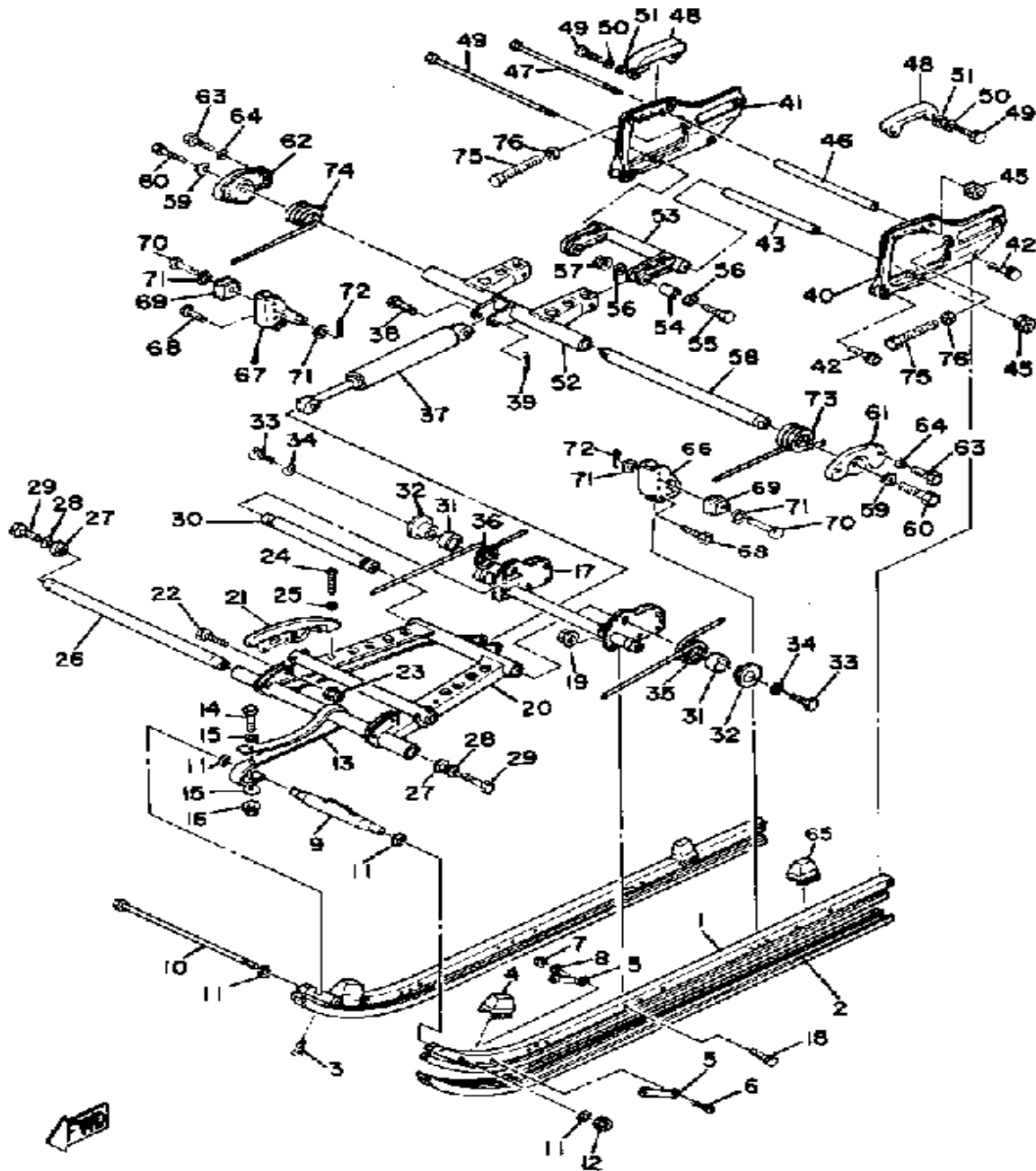
TRACK SUSPENSION 1



Ref. No.	Part Number	Description	Qty	Remarks
1	8J6-47110-01-00	TRACK ASSEMBLY (8J6-47110-01-00)	1	
2	8A5-47115-00-00	. METAL, SLIDE	66	
3	885-47320-01-00	SUSPENSION WHEEL COMP.	2	
4	93306-00441-00	BEARING (89A) (B6004RS)	2	
5	99009-42500-00	CIRCLIP	2	
6	90209-06137-00	WASHER, SPEC'L SHAP	2	
7	92995-06100-00	WASHER, SPRING	2	
8	90109-06464-00	BOLT	2	
9	8E3-47521-00-00	AXLE, REAR	1	
10	91609-40040-00	PIN, SPRING	2	
11	8E3-47384-00-00	WASHER	2	
12	8L4-47530-00-00	GUIDE WHEEL COMP.	2	
13	93306-20417-00	BEARING (B62042RS)	2	
14	99009-47500-00	CIRCLIP	2	
15	90209-08124-00	WASHER, SPEC'L SHAP	2	
16	97313-08020-00	BOLT, HEXAGON	2	
17	92990-08100-00	WASHER	2	
18	8G5-47000-10-00	BRACKET KIT	1	
19	8G8-47418-00-00	. BRACKET 4	1	
20	8G8-47419-00-00	. BRACKET 7	1	
21	90101-06348-00	. BOLT	6	
22	(8G5-47000-00-00)	IDLER WHEEL KIT	2	
23	885-47320-01-00	. SUSPENSION WHEEL COMP.	4	
24	93306-00441-00	. BEARING (89A) (B6004RS)	4	
25	99009-42500-00	. CIRCLIP	4	
26	90209-06137-00	. WASHER, SPEC'L SHAP	4	
27	92995-06100-00	. WASHER, SPRING	4	
28	90109-06464-00	. BOLT	4	

Property of www.SmallEngineDiscount.com - Not for Resale

TRACK SUSPENSION 2

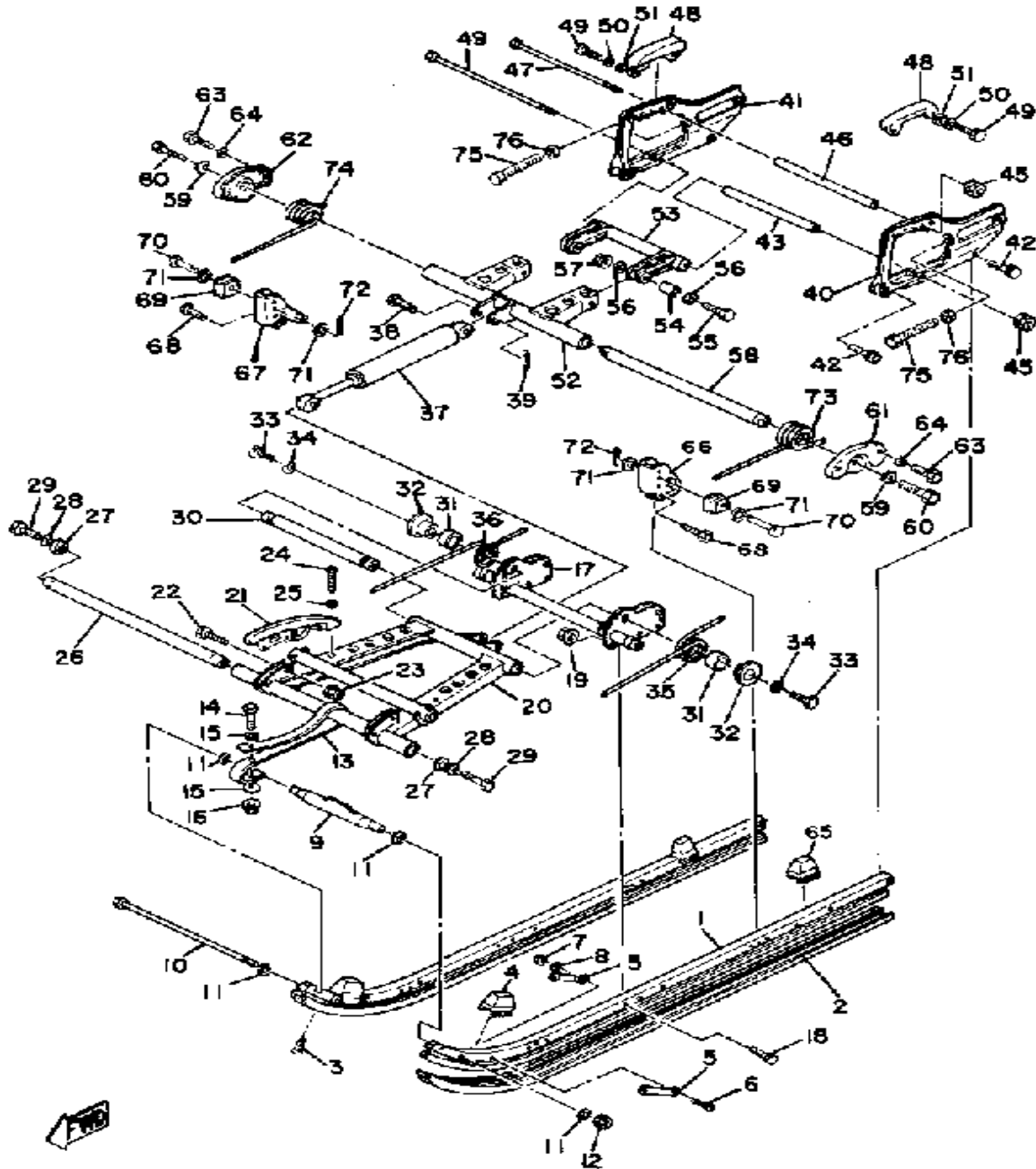


Ref. No.	Part Number	Description	Qty	Remarks
1	(8G8-47411-00-00)	FRAME, SLIDING 1	2	
2	8N5-47421-00-XX	RUNNER, SLIDING 1 (8E7-47421-10)	2	
3	98702-06020-00	SCREW, FLAT HEAD (92702-06020)	2	
4	888-47456-01-00	DAMPER 1	2	
5	885-47458-01-00	PLATE, DAMPER	4	
6	98501-05030-00	SCREW, PAN HEAD	4	
7	95380-05600-00	NUT	4	
8	92990-05100-00	WASHER, SPRING	4	
9	899-47415-00-00	BRACKET 1	1	
10	90101-08374-00	BOLT	1	
11	92901-08600-00	WASHER	4	
12	95712-08300-00	NUT, LOCK	1	
13	888-47495-02-00	STOPPER 1	1	
14	97013-06035-00	BOLT	1	
15	90201-06407-00	WASHER, PLATE (90201-06747-00)	2	
16	95701-06300-00	NUT, NYLON	1	
17	8L4-47416-00-00	BRACKET 2	1	
18	90101-06348-00	BOLT	6	
19	95701-06300-00	NUT, NYLON	6	
20	8X0-47331-00-00	ARM, PIVOT 1	1	
21	8G8-47422-00-00	RUNNER, SLIDING 2	2	
22	97011-06025-00	BOLT (97001-06025)	4	
23	95701-06300-00	NUT, NYLON	4	
24	98580-06020-00	SCREW	2	
25	92901-06600-00	WASHER	2	
26	8A5-47465-02-00	SHAFT 1	1	
27	885-47341-00-00	SPACER	2	

CONTINUED ON NEXT FRAME ►

Property of www.SmallEngineDiscount.com - Not for Resale

TRACK SUSPENSION 2

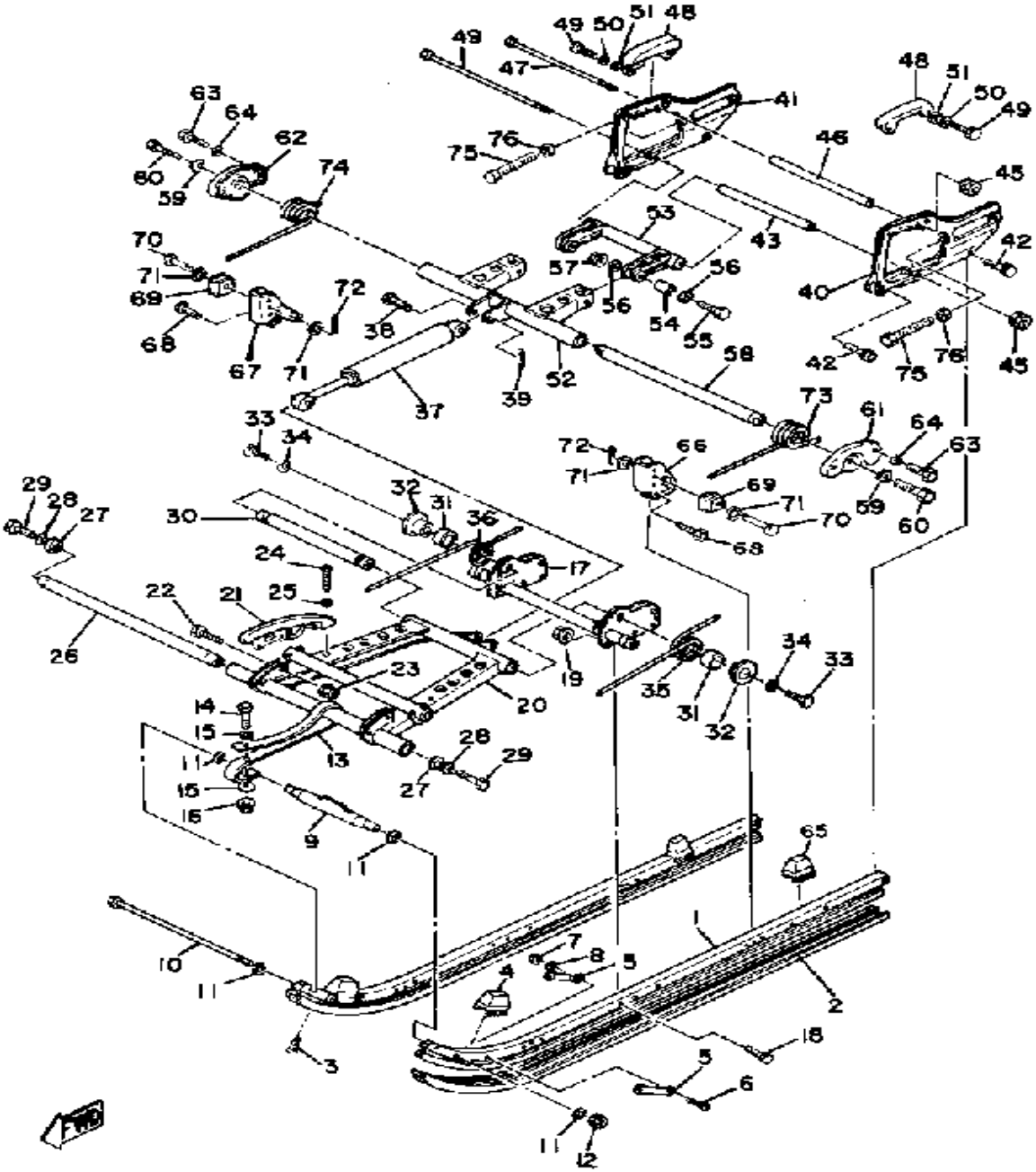


Ref. No.	Part Number	Description	Qty	Remarks
28	92901-10400-00	WASHER, EX.TOOTH	2	
29	97013-10030-00	BOLT (8J7) (97303-10030)	2	
30	8A5-47485-02-00	SHAFT 3	1	
31	90387-30570-00	COLLAR	2	
32	8E7-47446-00-00	HOOK 1	2	
33	97023-10035-00	BOLT, HEXAGON	2	
34	92990-10100-00	WASHER, SPRING	2	
35	90508-70375-00	SPRING, TORSION	1	
36	90508-70376-00	SPRING, TORSION	1	
37	8E7-47480-00-00	SHOCK ABSORBER	1	
38	90240-12115-00	PIN, CLEVIS	2	
39	91401-30030-00	PIN, COTTER	2	
40	8E3-47412-00-00	FRAME, SLIDING 2	1	
41	8E3-47413-00-00	FRAME, SLIDING 3	1	
42	90119-08008-00	BOLT, WITH WASHER	4	
43	90387-08496-00	COLLAR	1	
44	90101-08374-00	BOLT	1	
45	95712-08300-00	NUT, LOCK	2	
46	90387-08497-00	COLLAR	1	
47	97022-08250-00	BOLT	1	
48	8E3-47422-00-00	RUNNER, SLIDING 2	2	
49	97011-06025-00	BOLT (97001-06025)	4	
50	92995-06100-00	WASHER, SPRING	4	
51	90201-065F3-00	WASHER, PLATE	4	
52	8A5-47332-00-00	ARM, PIVOT 2	1	
53	8A5-47417-00-00	BRACKET 3	1	
54	90387-08508-00	COLLAR	2	
55	97313-08045-00	BOLT	2	
56	90201-08649-00	WASHER, PLATE	4	

CONTINUED ON NEXT FRAME ➤

Property of www.SmallEngineDiscount.com - Not for Resale

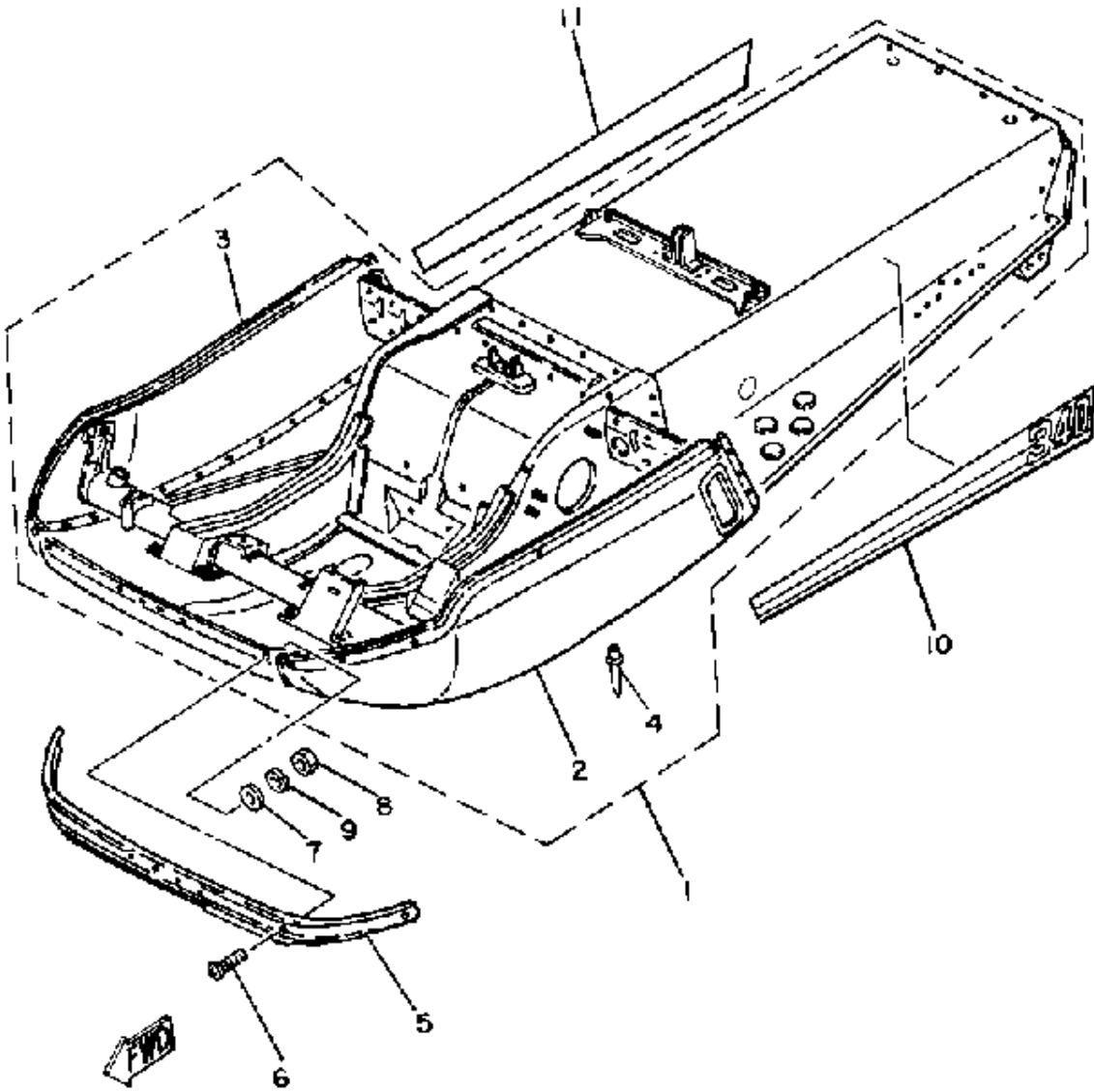
TRACK SUSPENSION 2



Ref. No.	Part Number	Description	Qty	Remarks
57	95712-08300-00	NUT, LOCK	2	
58	8A5-47475-02-00	SHAFT 2	1	
59	92901-10400-00	WASHER, EX.TOOTH	2	
60	97013-10030-00	BOLT (8J7) (97303-10030)	2	
61	8A5-47425-00-00	BRACKET, REAR 2	1	
62	8A5-47426-00-00	BRACKET, REAR 1	1	
63	97313-08018-00	BOLT, HEXAGON (97301-08016)	4	
64	92901-08400-00	WASHER, EX.TOOTH	4	
65	885-47457-00-00	DAMPER 2	2	
66	(8E3-47463-00-00)	BRACKET 5	1	
67	(8E3-47464-00-00)	BRACKET 6	1	
68	90101-06348-00	BOLT	6	
69	890-47447-00-00	HOOK 2	2	
70	90249-12113-00	PIN	2	
71	90201-12749-00	WASHER, PLATE	4	
72	91401-30030-00	PIN, COTTER	2	
73	90508-99331-00	SPRING, TORSION	1	
74	90508-99332-00	SPRING, TORSION	1	
75	90101-10314-00	BOLT	2	
76	95303-10700-00	NUT	2	

Property of www.SmallEngineDiscount.com - Not for Resale

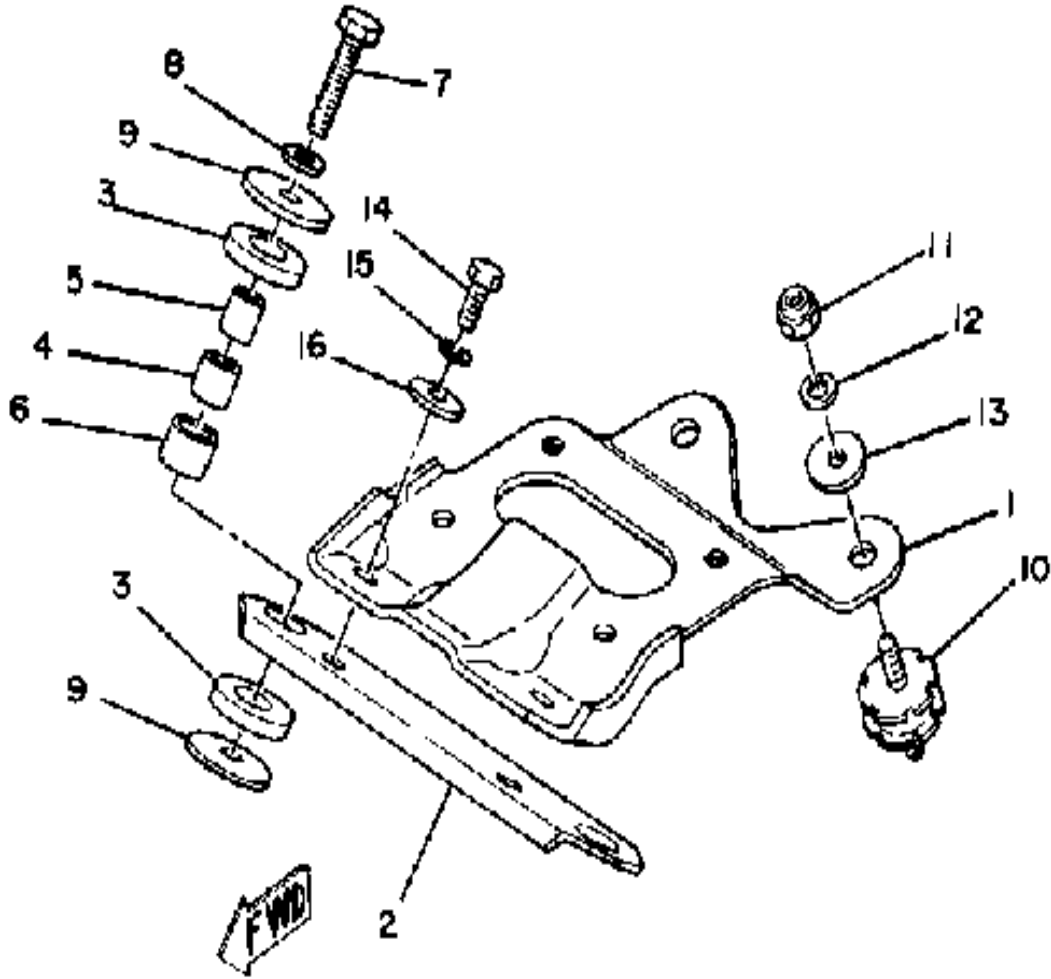
FRAME



Ref. No.	Part Number	Description	Qty	Remarks
1	(8J6-21910-00-00)	FRAME	1	
2	8J6-21982-00-00	. HOOD 1	1	
3	8J6-21983-00-00	HOOD 2	1	
4	90267-48057-00	. RIVET, BLIND	28	
5	8G8-21986-00-00	RNFCMNT, FRAME 1	1	
6	98906-06016-00	SCREW, BIND	6	
7	90201-06M08-00	WASHER, PLATE	6	
8	95380-06600-00	NUT	6	
9	92995-06100-00	WASHER, SPRING	6	
10	8J6-77354-00-00	EMBLEM 4	1	
11	8J6-77355-00-00	EMBLEM 5	1	

Property of www.SmallEngineDiscount.com - Not for Resale

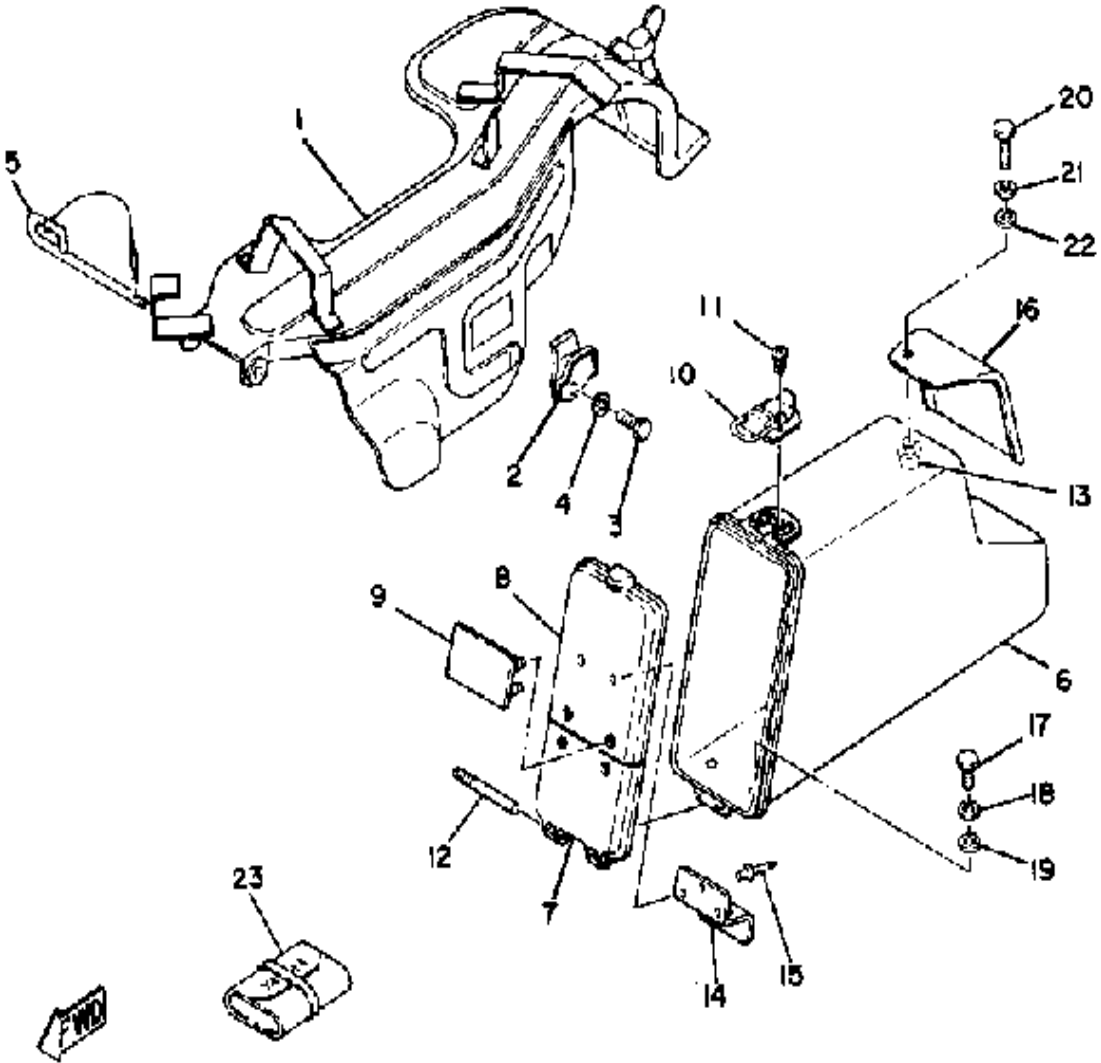
ENGINE BRACKET



Ref. No.	Part Number	Description	Qty	Remarks
1	8G8-21411-00-00	BRACKET, ENGINE 1	1	
2	8G8-21419-00-00	BRACKET, ENGINE 2	1	
3	8A5-21485-00-00	DAMPER, RUBBER 1	4	
4	90385-15025-00	BUSH, SPEC'L RUBBER	2	
5	90387-10514-00	COLLAR	2	
6	90387-21515-00	COLLAR	2	
7	97313-10050-00	BOLT, HEXAGON (676)	2	
8	92990-10100-00	WASHER, SPRING	2	
9	90201-10151-00	WASHER, PLATE	4	
10	8F3-21486-00-00	DAMPER 2	2	
11	95380-10600-00	NUT	2	
12	92990-10100-00	WASHER, SPRING	2	
13	90201-10321-00	WASHER, PLATE	2	
14	97011-10025-00	BOLT	2	
15	92990-10100-00	WASHER, SPRING	2	
16	90201-10639-00	WASHER, PLATE	2	

Property of www.SmallEngineDiscount.com - Not for Resale

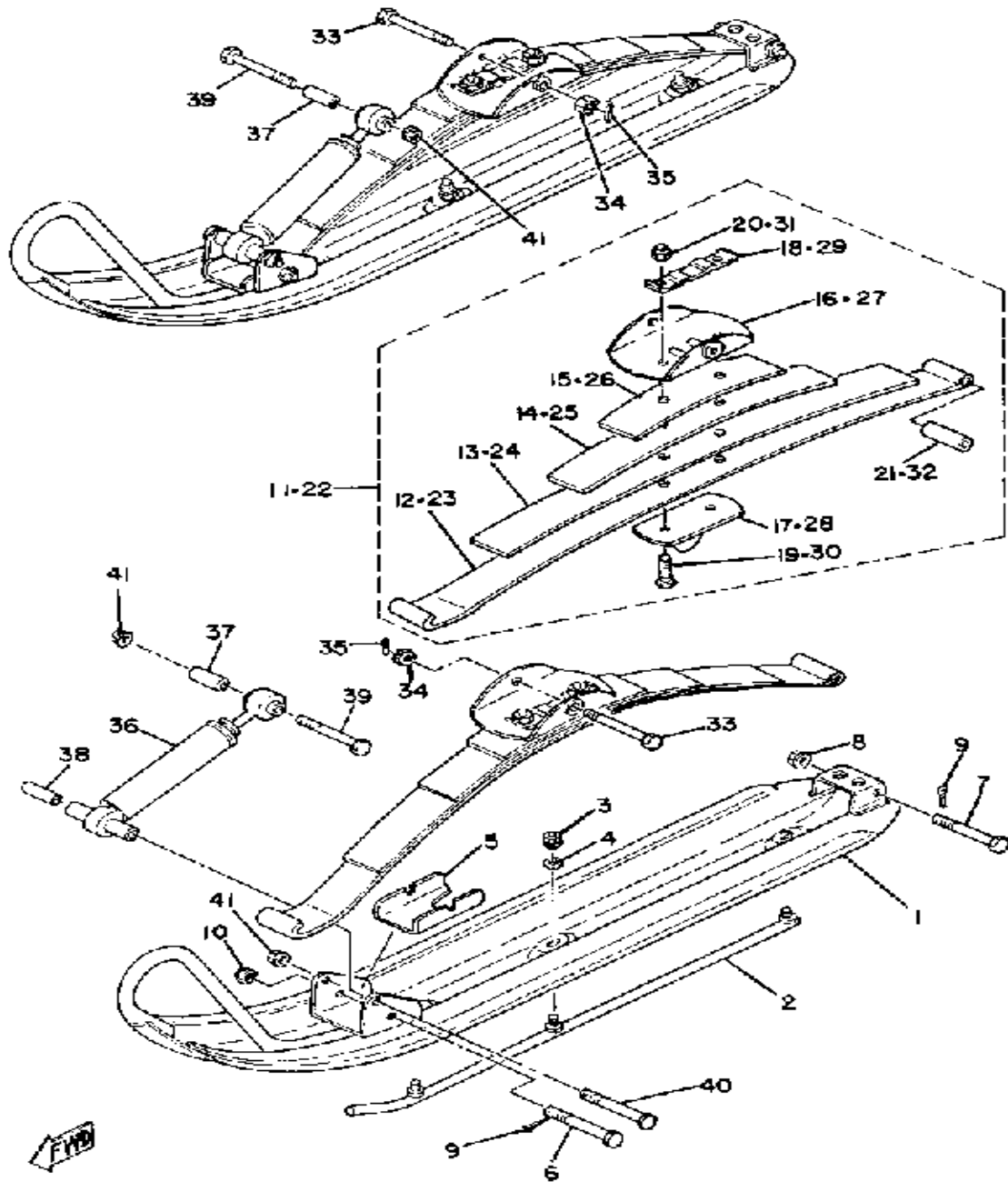
GUARD - LUGGAGE BOX



Ref. No.	Part Number	Description	Qty	Remarks
1	8G8-77311-00-00	GUARD, DRIVE	1	
2	8F3-77323-00-00	PROTECTOR, DRIVE	1	
3	97313-08018-00	BOLT, HEXAGON (97301-08016)	1	
4	92990-08100-00	WASHER	1	
5	8F3-77327-00-00	SHAFT	1	
6	(8G8-77391-00-00)	LUGGAGE BOX	1	
7	(8H5-77392-00-00)	COVER, LUGGAGE BOX	1	
8	(8J6-77377-00-00)	COVER, LUGGE BOX 2	1	
9	(8H5-77395-00-00)	HINGE, LUGGAGE BOX	1	
10	8E7-77340-00-00	LUGGE BOX LTCH ASSEMBLY	1	
11	98702-03008-00	SCREW, FLAT HEAD	3	
12	(90249-03128-00)	PIN, SPEC"L SHAPE	1	
13	(90179-06254-00)	NUT, SPEC"L SHAPE	1	
14	8H8-77376-00-00	BRACKET, SPARK PLUG	1	
15	90267-48014-00	RIVET, BLIND	2	
16	(8G8-77397-00-00)	STAY 1	1	
17	97313-06016-00	BOLT, HEXAGON	2	
18	92995-06100-00	WASHER, SPRING	2	
19	90201-06059-00	WASHER, PLATE	2	
20	97023-06020-00	BOLT (3XF)	1	
21	92995-06100-00	WASHER, SPRING	1	
22	90201-06M08-00	WASHER, PLATE	1	
23	8F3-28100-00-00	TOOL KIT	1	

Property of www.SmallEngineDiscount.com - Not for Resale

SKI

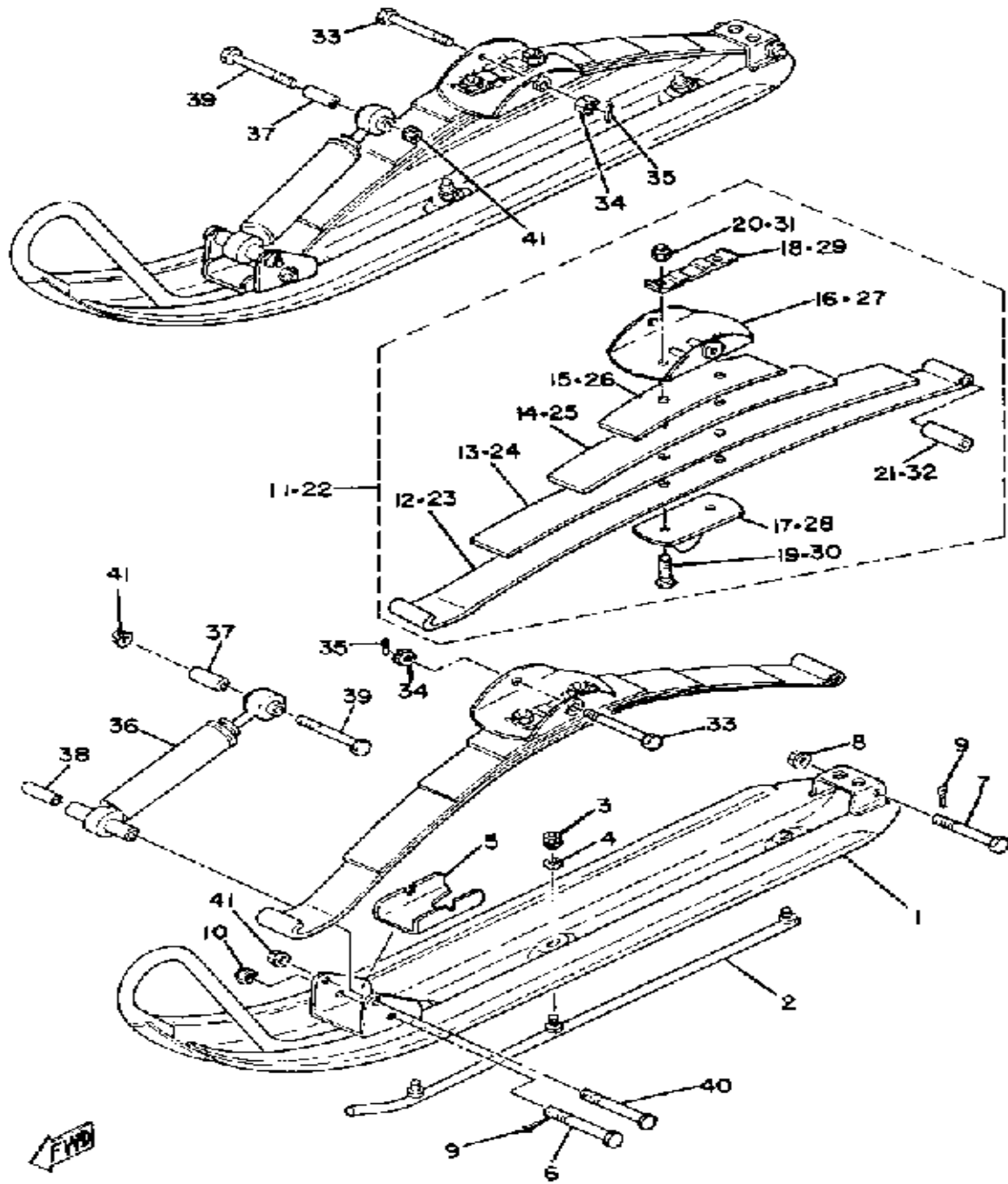


Ref. No.	Part Number	Description	Qty	Remarks
1	8F3-23710-01-00	SKI 1 (888-23731-01)	2	
2	888-23731-01-XX	SKI RUNNER, 1	2	
3	95712-08300-00	NUT, LOCK	6	
4	92906-08200-00	WASHER	6	
5	8F3-23735-00-00	PLATE, WEAR 1	2	
6	90102-08028-00	BOLT, WITH HOLE	2	
7	90102-08027-00	BOLT, WITH HOLE	2	
8	95712-08300-00	NUT, LOCK	2	
9	91490-20020-00	PIN, COTTER	4	
10	95611-08100-00	NUT, U	2	
11	8M8-23760-00-00	SPRING ASSEMBLY 1	1	
12	888-23761-00-00	. LEAF 1	1	
13	865-23762-00-00	. LEAF 2	1	
14	888-23763-00-00	. LEAF 3	1	
15	865-23771-00-00	. LEAF 5	1	
16	8G6-23766-00-00	. SADDLE 1	1	
17	878-23768-00-00	. SEAT, SPRING 1	1	
18	90215-10155-00	WASHER, LOCK	1	
19	90109-105E1-00	BOLT	2	
20	90185-10085-00	. NUT, SELF-LOCKING	2	
21	90387-08478-00	. COLLAR	1	
22	8M8-23770-00-00	SPRING ASSEMBLY 2	1	
23	888-23761-00-00	. LEAF 1	1	
24	865-23762-00-00	. LEAF 2	1	
25	888-23763-00-00	. LEAF 3	1	
26	865-23771-00-00	. LEAF 5	1	
27	8G6-23766-00-00	. SADDLE 1	1	
28	878-23768-00-00	. SEAT, SPRING 1	1	
29	90215-10155-00	. WASHER, LOCK	1	

CONTINUED ON NEXT FRAME ➤

Property of www.SmallEngineDiscount.com - Not for Resale

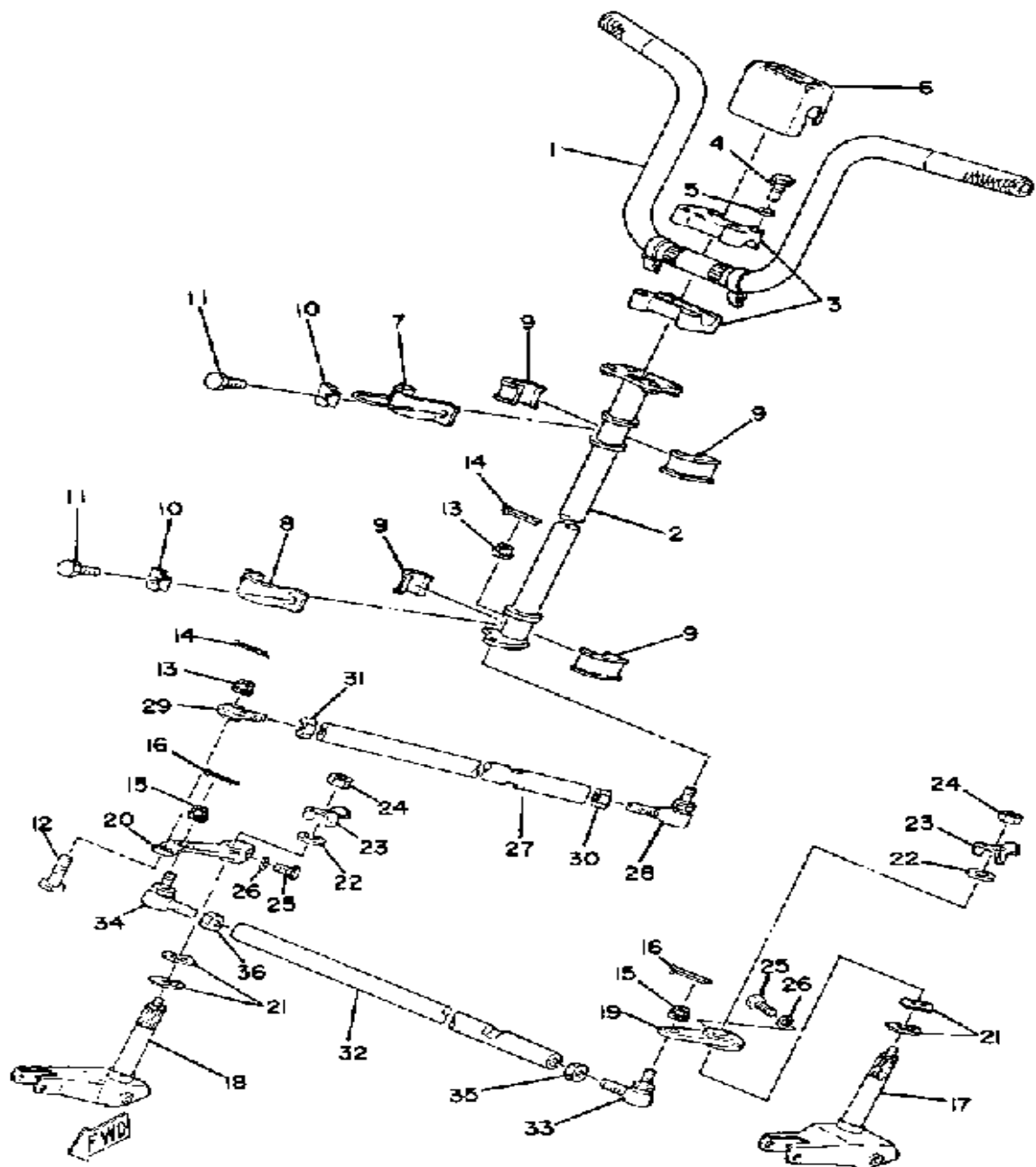
SKI



Ref. No.	Part Number	Description	Qty	Remarks
30	90109-105E1-00	BOLT	2	
31	90185-10085-00	. NUT, SELF-LOCKING	2	
32	90387-08478-00	. COLLAR	1	
33	90102-12030-00	BOLT, WITH HOLE	2	
34	90171-12040-00	NUT, CASTLE	2	
35	91401-30030-00	PIN, COTTER	2	
36	8J6-23350-00-00	SHOCK ABSORBER ASSEMBLY	2	
37	90387-08262-00	COLLAR	2	
38	90387-08224-00	COLLAR	2	
39	97313-08055-00	BOLT, HEXAGON	2	
40	97021-08070-00	BOLT	2	
41	95712-08300-00	NUT, LOCK	4	

Property of www.SmallEngineDiscount.com - Not for Resale

STEERING

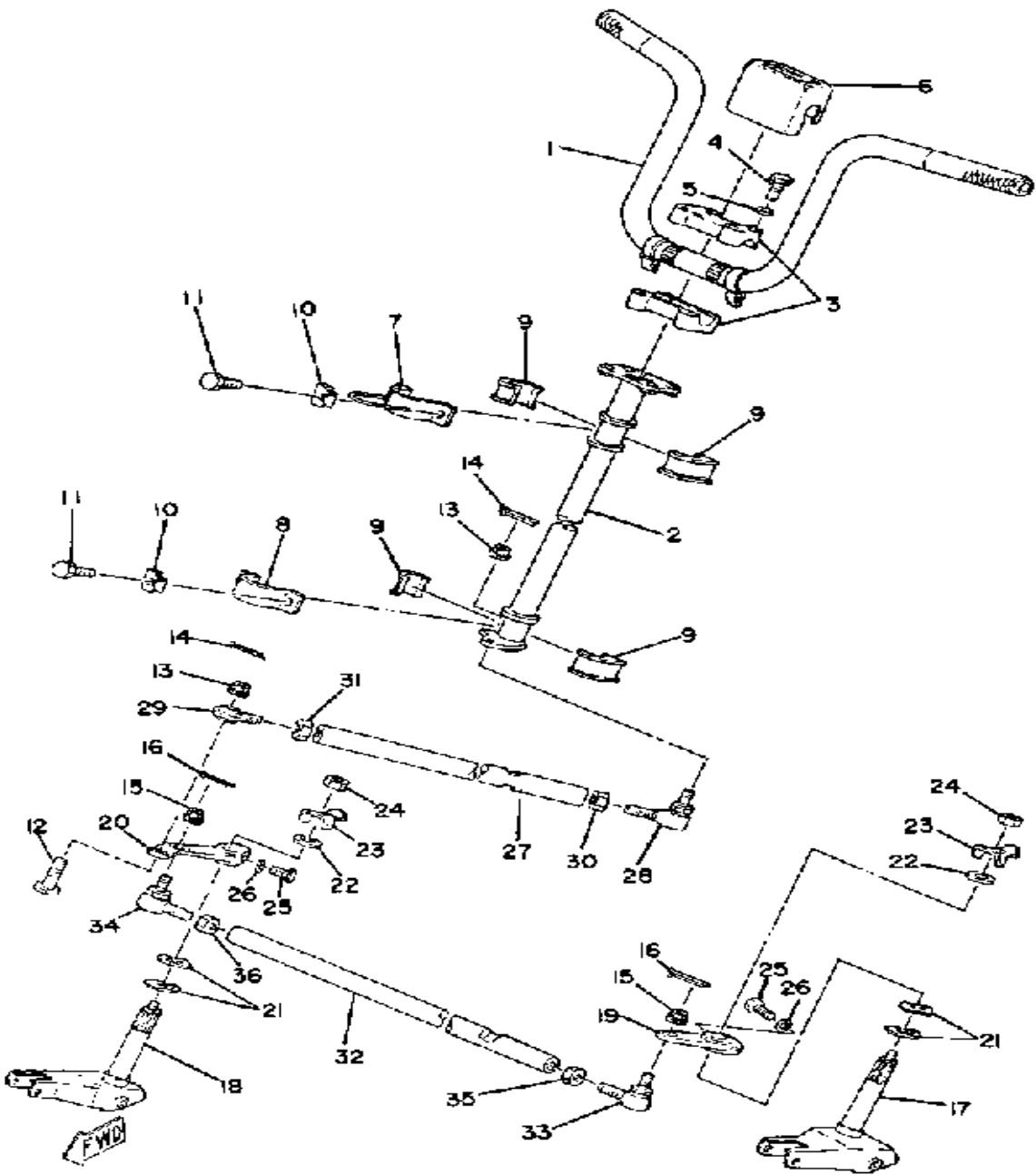


Ref. No.	Part Number	Description	Qty	Remarks
1	8G8-23811-00-00	COLUMN, STEERING	1	
2	8G8-23813-00-00	COLUMN, STEERING 2	1	
3	164-23441-00-98	HOLDER, HANDLE UPPER	2	
4	97321-08055-00	BOLT, HEXAGON	4	
5	92990-08100-00	WASHER	4	
6	8F3-23818-00-00	COVER, STEERING	1	
7	84M-23872-00-00	HOLDER, BEARING	1	
8	84M-23868-00-00	BRACKET, STEERING LOWER	1	
9	8F3-23812-00-00	PLANE BEARING, STEERING	4	
10	90215-08143-00	WASHER, LOCK	4	
11	97313-08016-00	BOLT, HEXAGON	4	
12	90109-10482-00	BOLT	1	
13	95701-10300-00	NUT, FLANGE (95702-10300)	2	
14	91490-20020-00	PIN, COTTER	2	
15	95701-10300-00	NUT, FLANGE (95702-10300)	2	
16	91490-20020-00	PIN, COTTER	2	
17	83T-23853-00-00	COLUMN, SKI 1	1	
18	83T-23854-00-00	COLUMN, SKI 2	1	
19	8F3-23851-00-00	ARM, OUTSIDE 1	1	
20	8F3-23852-00-00	ARM, OUTSIDE 2	1	
21	90206-20037-00	WASHER, WAVE	4	
22	90201-10752-00	WASHER, PLATE	2	
23	90215-10096-00	WASHER, LOCK	2	
24	95303-10600-00	NUT (95301-10600)	2	
25	97001-08025-00	BOLT (1NV)	2	
26	92990-08100-00	WASHER	2	
27	8G8-23821-00-00	ROD, STEERING RELAY	1	
28	86X-23841-00-00	JOINT, UNIVERSAL 1	1	
29	87S-23847-00-00	JOINT, UNIVERSAL 3	1	

CONTINUED ON NEXT FRAME ➤

Property of www.SmallEngineDiscount.com - Not for Resale

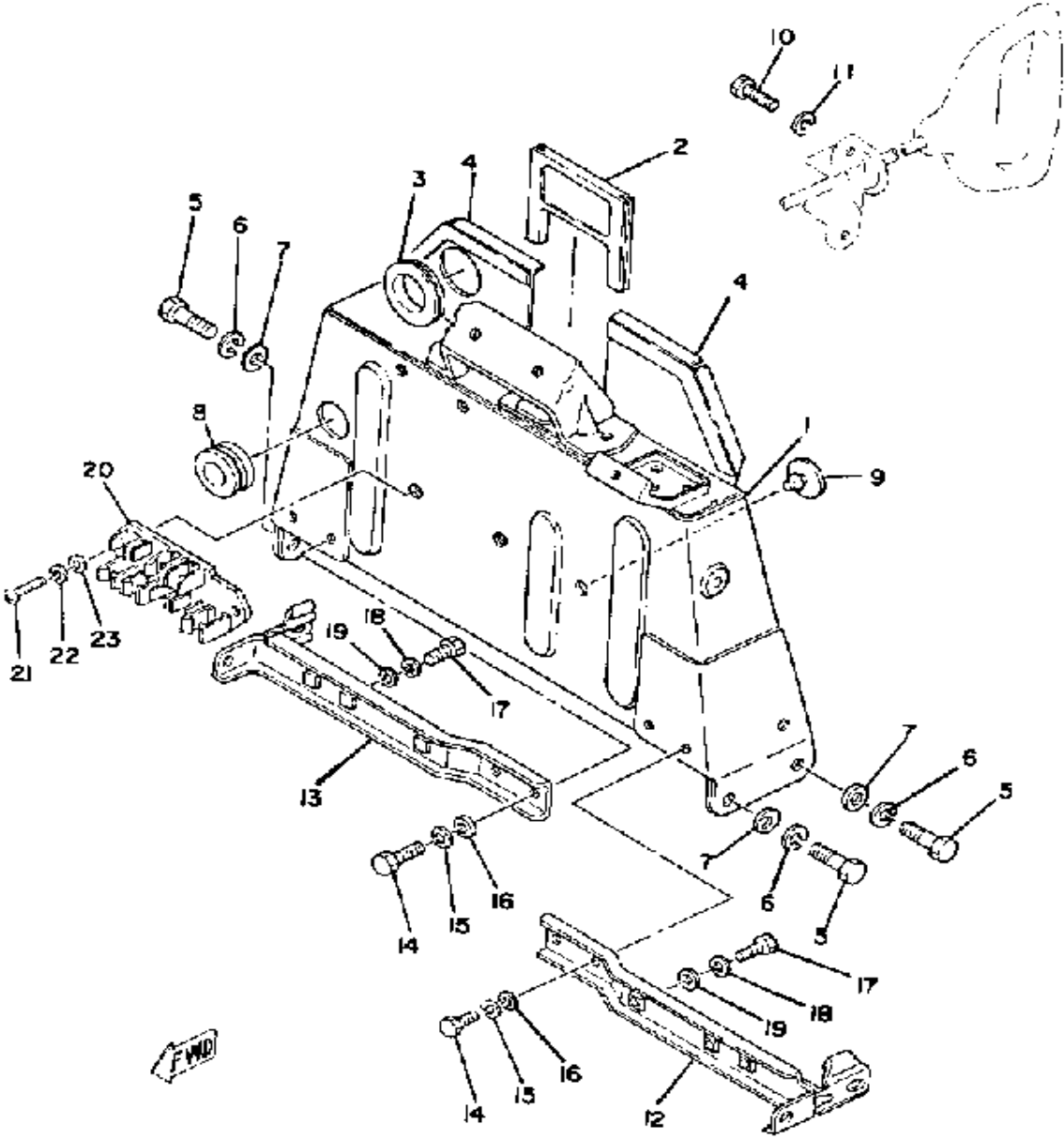
STEERING



Ref. No.	Part Number	Description	Qty	Remarks
30	95303-10700-00	NUT	1	
31	90170-10186-00	NUT	1	
32	8G8-23831-00-00	ROD, TIE	1	
33	86X-23841-00-00	JOINT, UNIVERSAL 1	1	
34	86X-23845-00-00	JOINT, UNIVERSAL 2	1	
35	95303-10700-00	NUT	1	
36	90170-10186-00	NUT	1	

Property of www.SmallEngineDiscount.com - Not for Resale

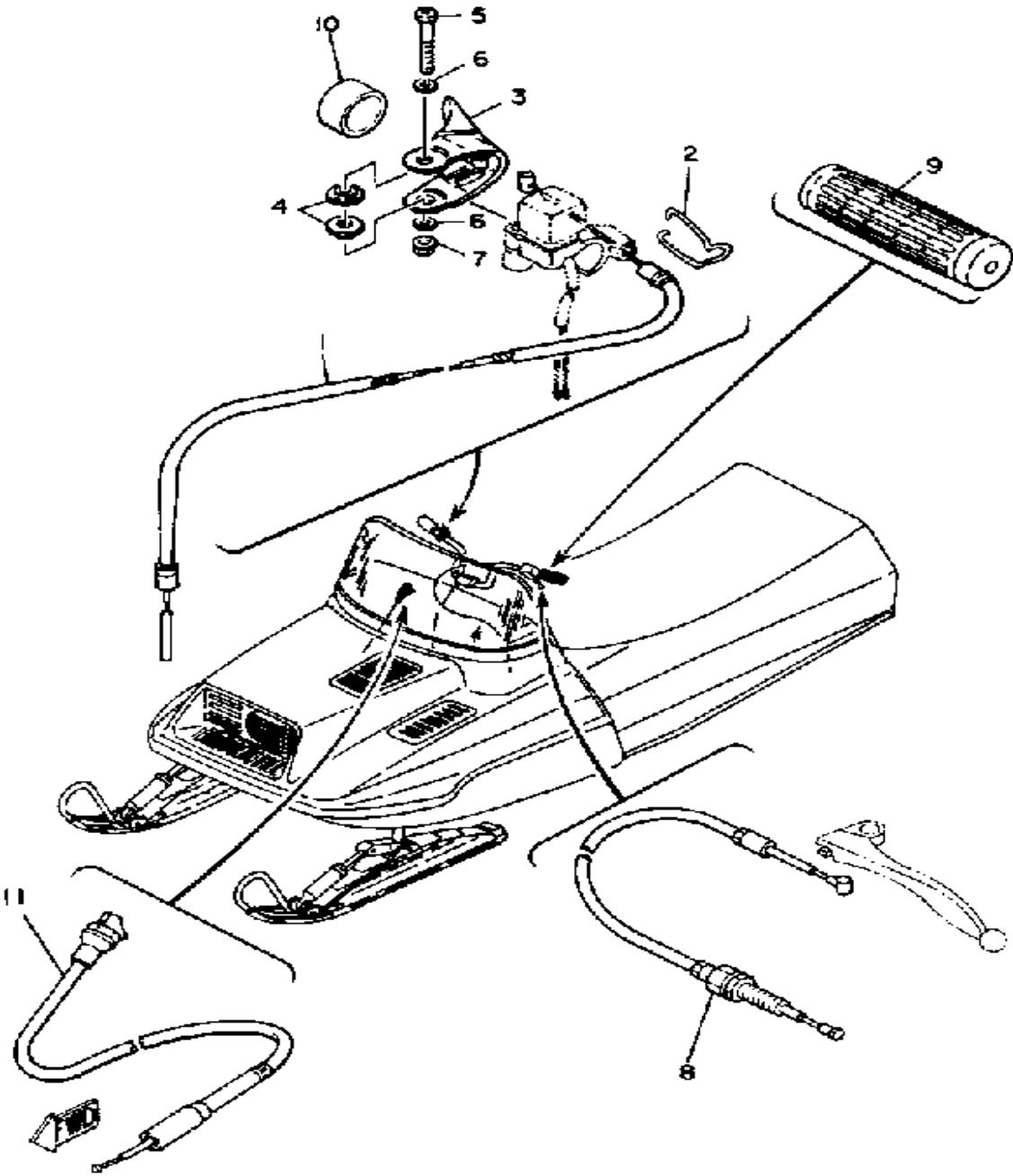
STEERING GATE



Ref. No.	Part Number	Description	Qty	Remarks
1	(8K3-23871-00-00)	GATE, STEERING	1	
2	(8G8-23874-00-00)	HOLDER, WIRE	1	
3	90480-40047-00	GROMMET	1	
4	(8G8-77319-00-00)	DAMPER 1	2	
5	97313-08018-00	BOLT, HEXAGON (97301-08016)	4	
6	92990-08100-00	WASHER	4	
7	92901-08600-00	WASHER	4	
8	90480-28191-00	GROMMET	1	
9	90338-09085-00	PLUG, SPEC'L SHAPE	3	
10	97013-06012-00	BOLT	2	
11	92995-06100-00	WASHER, SPRING	2	
12	8G5-23898-00-00	BRACKET 3	1	
13	8G5-23899-00-00	BRACKET 4	1	
14	97013-06012-00	BOLT	4	
15	92995-06100-00	WASHER, SPRING	4	
16	92901-06600-00	WASHER	4	
17	97013-06012-00	BOLT	6	
18	92995-06100-00	WASHER, SPRING	6	
19	90201-065F3-00	WASHER, PLATE	6	
20	8F3-21794-00-00	HOLDER, COUPLER	1	
21	98503-06014-00	SCREW, PAN HEAD (92502-06016)	2	
22	92995-06100-00	WASHER, SPRING	2	
23	92990-06200-00	WASHER	2	

Property of www.SmallEngineDiscount.com - Not for Resale

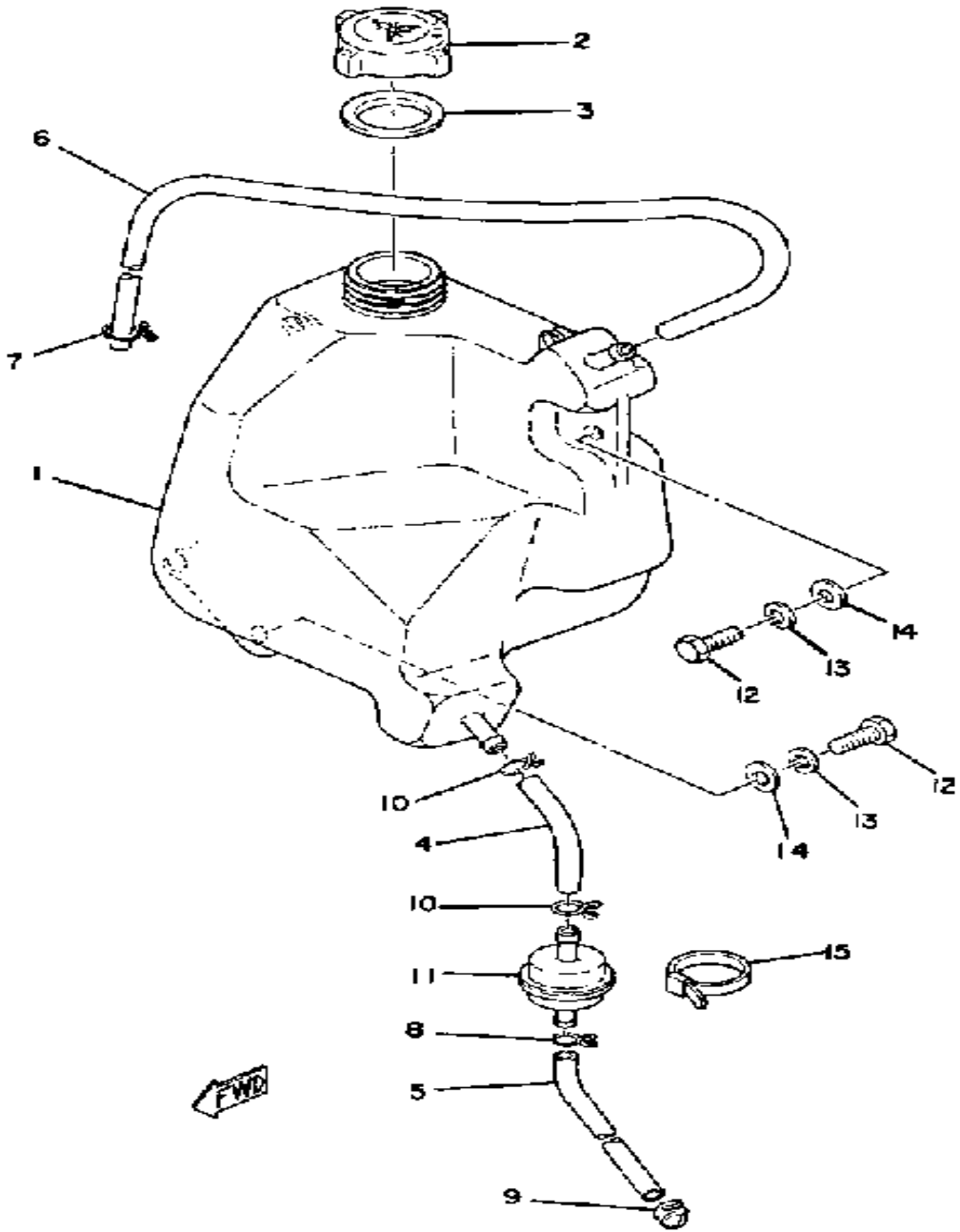
CONTROL - CABLE



Ref. No.	Part Number	Description	Qty	Remarks
1	8F3-26311-00-00	CABLE, THROTTLE 1	1	
2	90468-10017-00	CLIP (821-26391-00)	1	
3	8J5-42138-00-00	LEVER, THROTTLE	1	
4	90387-06681-00	COLLAR	2	
5	98580-06550-00	SCREW PAN HEAD (92503-06050)	1	
6	92901-06600-00	WASHER	2	
7	95701-06300-00	NUT, NYLON	1	
8	8F3-26340-01-00	CABLE, BRAKE	1	
9	801-26241-01-00	GRIP	2	
10	90387-22726-00	COLLAR	1	
11	8G8-26331-01-00	CABLE, STARTER 1	1	

Property of www.SmallEngineDiscount.com - Not for Resale

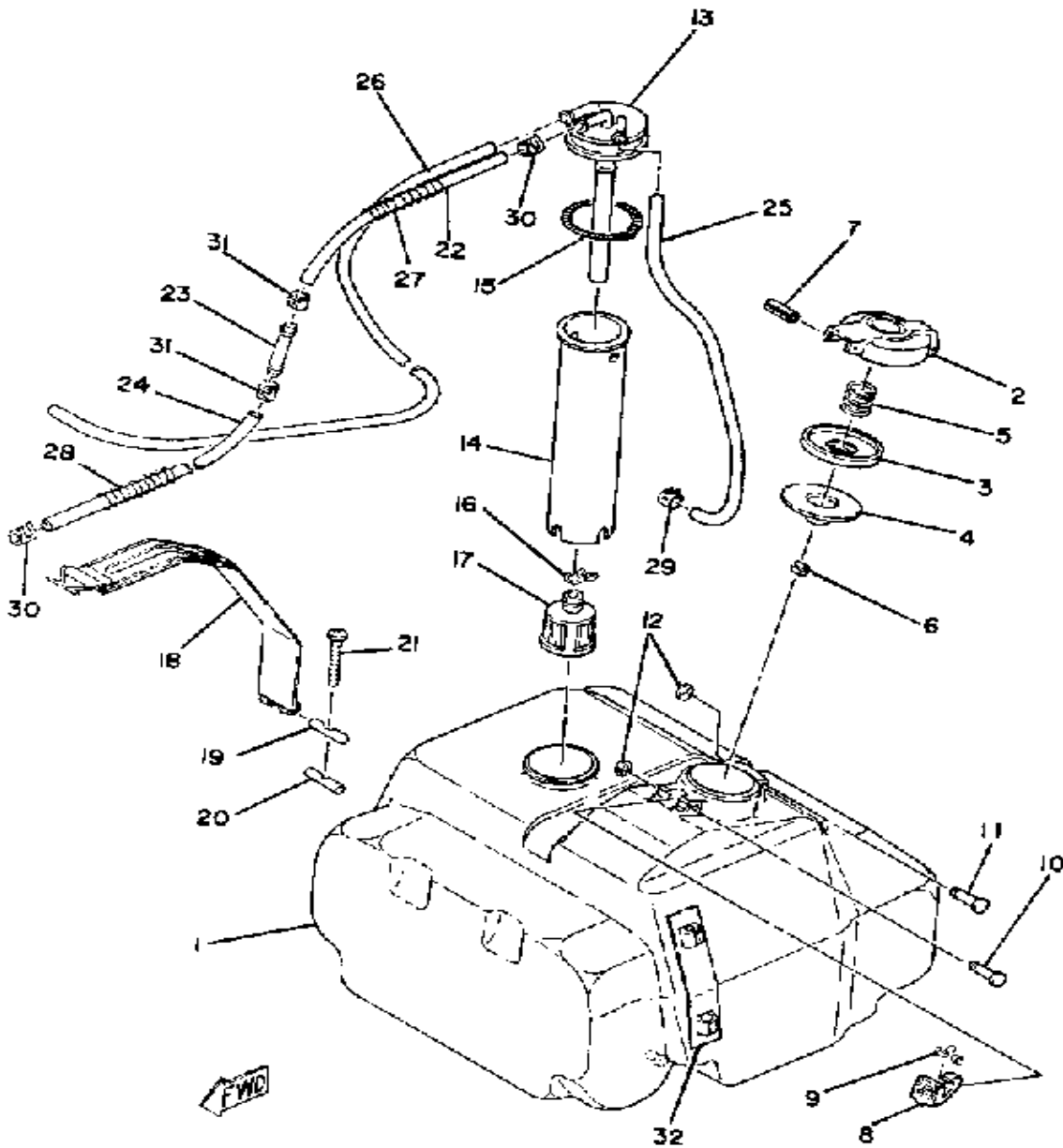
OIL TANK



Ref. No.	Part Number	Description	Qty	Remarks
1	8G8-21751-00-00	TANK, OIL	1	
2	863-21771-00-00	BODY, CAP	1	
3	90430-31003-00	GASKET	1	
4	90446-11081-00	HOSE	1	
5	90446-09067-00	HOSE	1	
6	90446-09015-00	HOSE	1	
7	90464-23041-00	CLAMP	1	
8	90467-09005-00	CLIP, SCISSOR	1	
9	90467-09026-00	CLIP	1	
10	90467-11009-00	CLIP	2	
11	8G8-13410-00-00	STRAINER HOUSING ASSEMBLY	1	
12	97313-08020-00	BOLT, HEXAGON	2	
13	92990-08100-00	WASHER	2	
14	92990-08200-00	WASHER, PLAIN	2	
15	341-26397-01-00	BAND	1	

Property of www.SmallEngineDiscount.com - Not for Resale

FUEL TANK

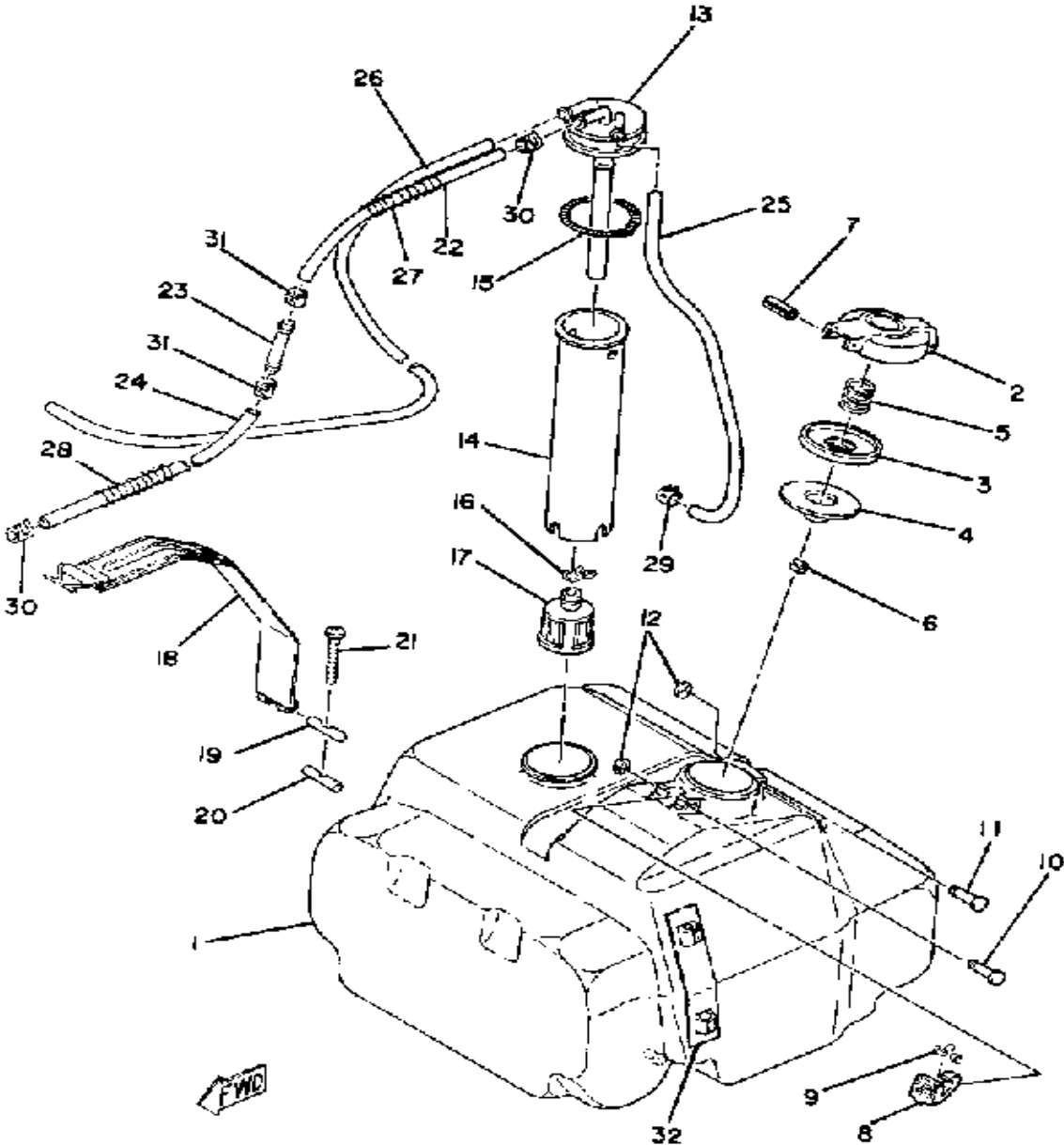


Ref. No.	Part Number	Description	Qty	Remarks
1	8G8-24111-00-00	FUEL TANK	1	
2	813-24611-01-00	BODY, CAP	1	
3	813-24613-01-00	DISC, CAP	1	
4	8F7-24641-00-00	GASKET, CAP 1	1	
5	90501-20130-00	SPRING, COMPRESSION	1	
6	91609-30016-00	PIN, SPRING	1	
7	91609-25032-00	PIN, SPRING	1	
8	83M-24628-00-00	HOOK	1	
9	90508-08003-00	SPRING, TORSION (813-24637-00)	1	
10	90249-03016-00	PIN, SPEC'L SHAPE	1	
11	90249-03017-00	PIN	1	
12	93430-02001-00	CIRCLIP	2	
13	8G8-24335-00-00	PIPE, SUCTION 1	1	
14	813-24336-00-00	PIPE, SUCTION 2	1	
15	90506-06065-00	SPRING, TENSION	1	
16	90467-11009-00	CLIP	1	
17	8H5-24560-00-00	FILTER ASSEMBLY	1	
18	(883-24173-00-00)	BAND, TNK FITTING 1	1	
19	806-24135-00-00	CLAMP 1	1	
20	90179-05030-00	NUT, SPEC'L SHAPE (806-24146-00)	1	
21	90149-05006-00	SCREW, SPEC'L SHAPE (821-24176-00)	1	
22	90446-11109-00	HOSE	1	
23	8Y4-24376-00-00	PIPE, JOINT 1	1	
24	90446-09062-00	HOSE	1	
25	91A30-05045-00	TUBE, FLEXIBLE VINYL	1	
26	90446-09092-00	HOSE	1	
27	8F3-24326-00-00	PROTECTOR, PIPE	1	

CONTINUED ON NEXT FRAME ►

Property of www.SmallEngineDiscount.com - Not for Resale

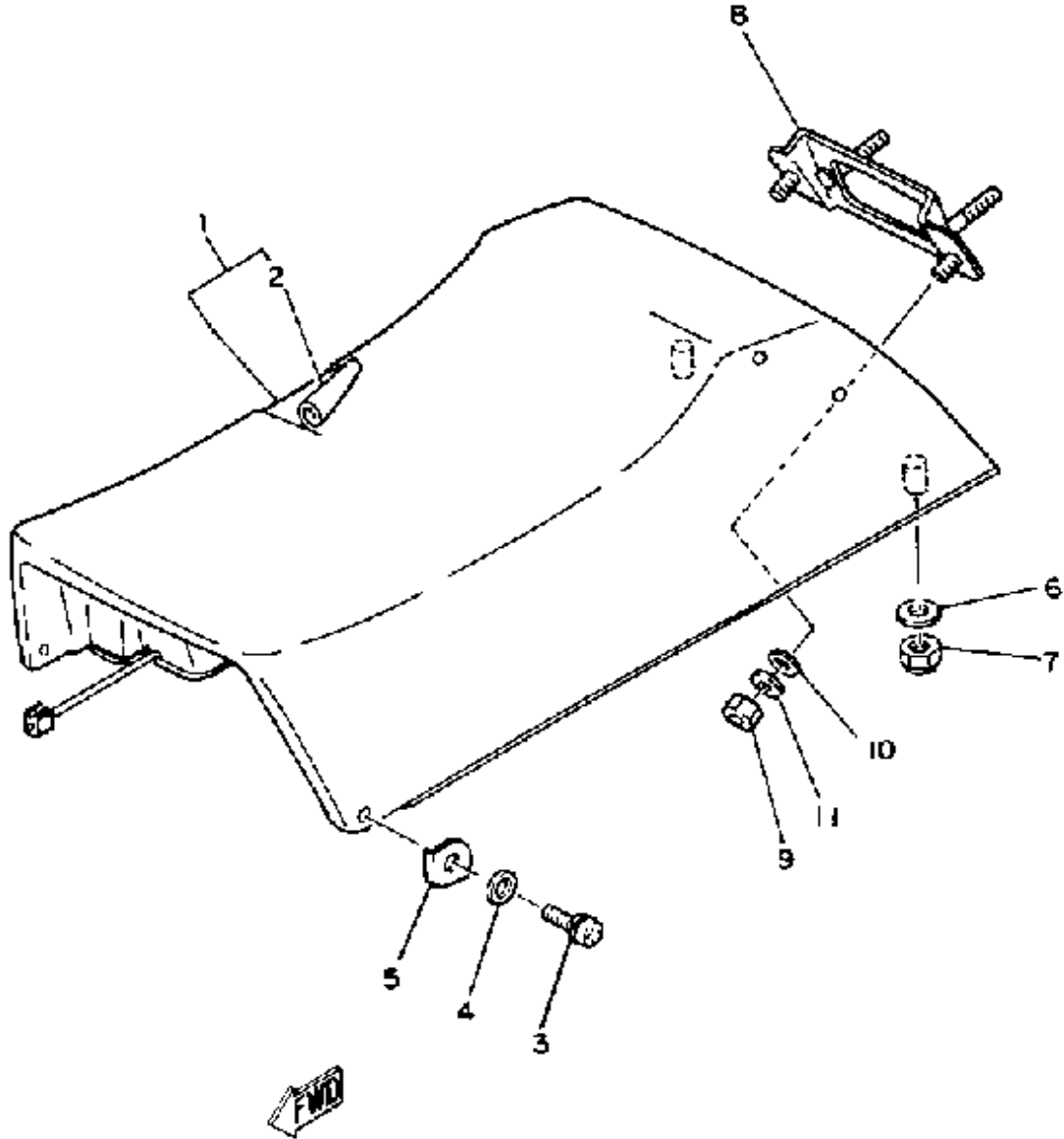
FUEL TANK



Ref. No.	Part Number	Description	Qty	Remarks
28	8G5-24328-00-00	PROTECTOR, PIPE	1	
29	90467-09026-00	CLIP	1	
30	90467-11028-00	CLIP	2	
31	90467-09026-00	CLIP	2	
32	(8G8-24179-00-00)	GAUGE, FUEL	1	

Property of www.SmallEngineDiscount.com - Not for Resale

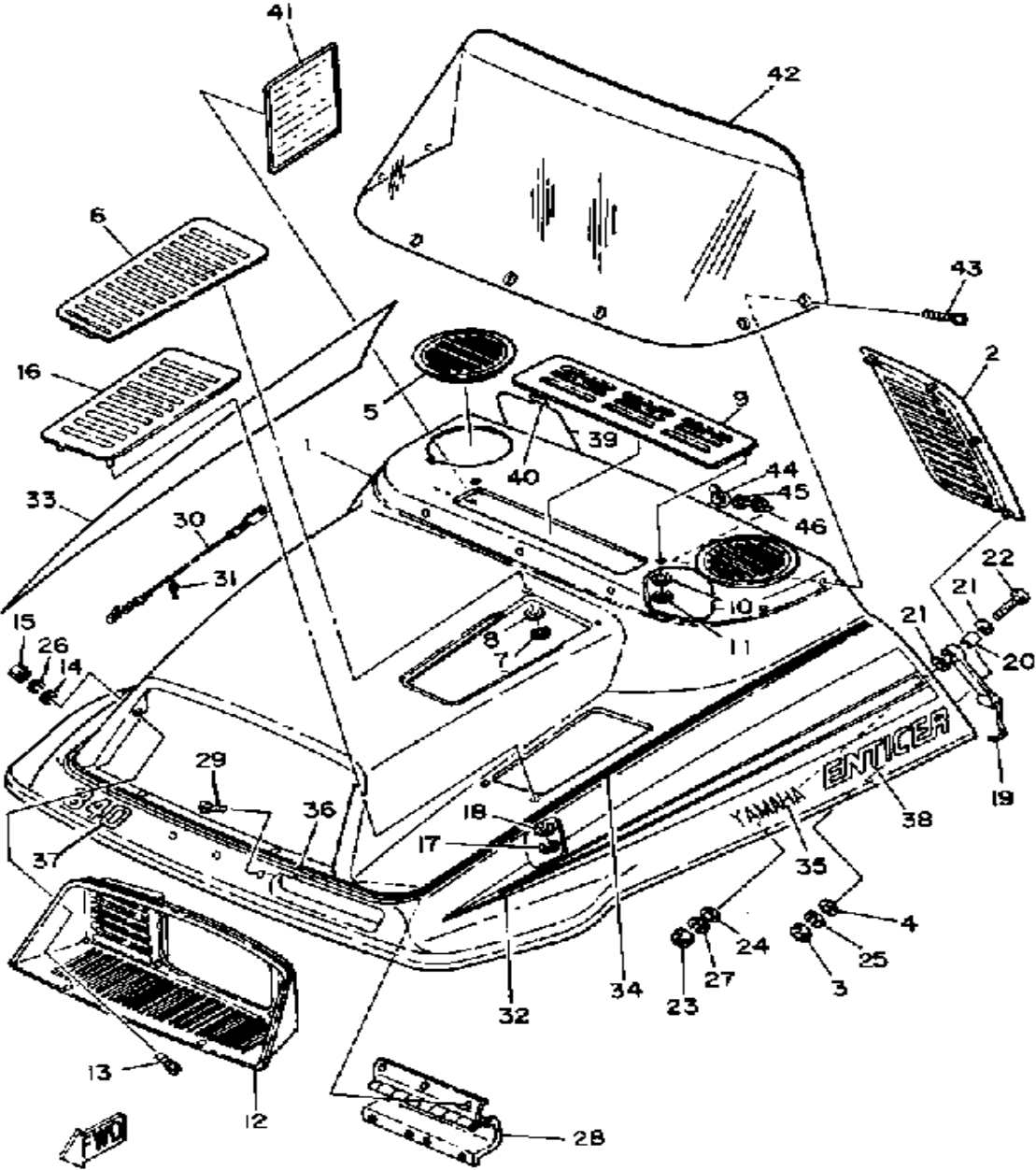
SEAT



Ref. No.	Part Number	Description	Qty	Remarks
1	8G8-24710-01-00	SINGLE SEAT ASSEMBLY	1	
2	8G8-24711-00-00	. COVER, SINGLE SEAT	1	
3	90159-06019-00	SCREW, WITH WASHER	2	
4	90201-063J2-00	WASHER, PLATE	2	
5	90215-14147-00	WASHER, LOCK	2	
6	90201-08748-00	WASHER, PLATE	2	
7	(90185-08083-00)	NUT, SELF-LOCKING	2	
8	8G8-84519-00-00	BRACKET, TAILLIGHT	1	
9	95380-06600-00	NUT	2	
10	92901-06600-00	WASHER	2	
11	92995-06100-00	WASHER, SPRING	2	

Property of www.SmallEngineDiscount.com - Not for Resale

SHROUD - WINDSHIELD

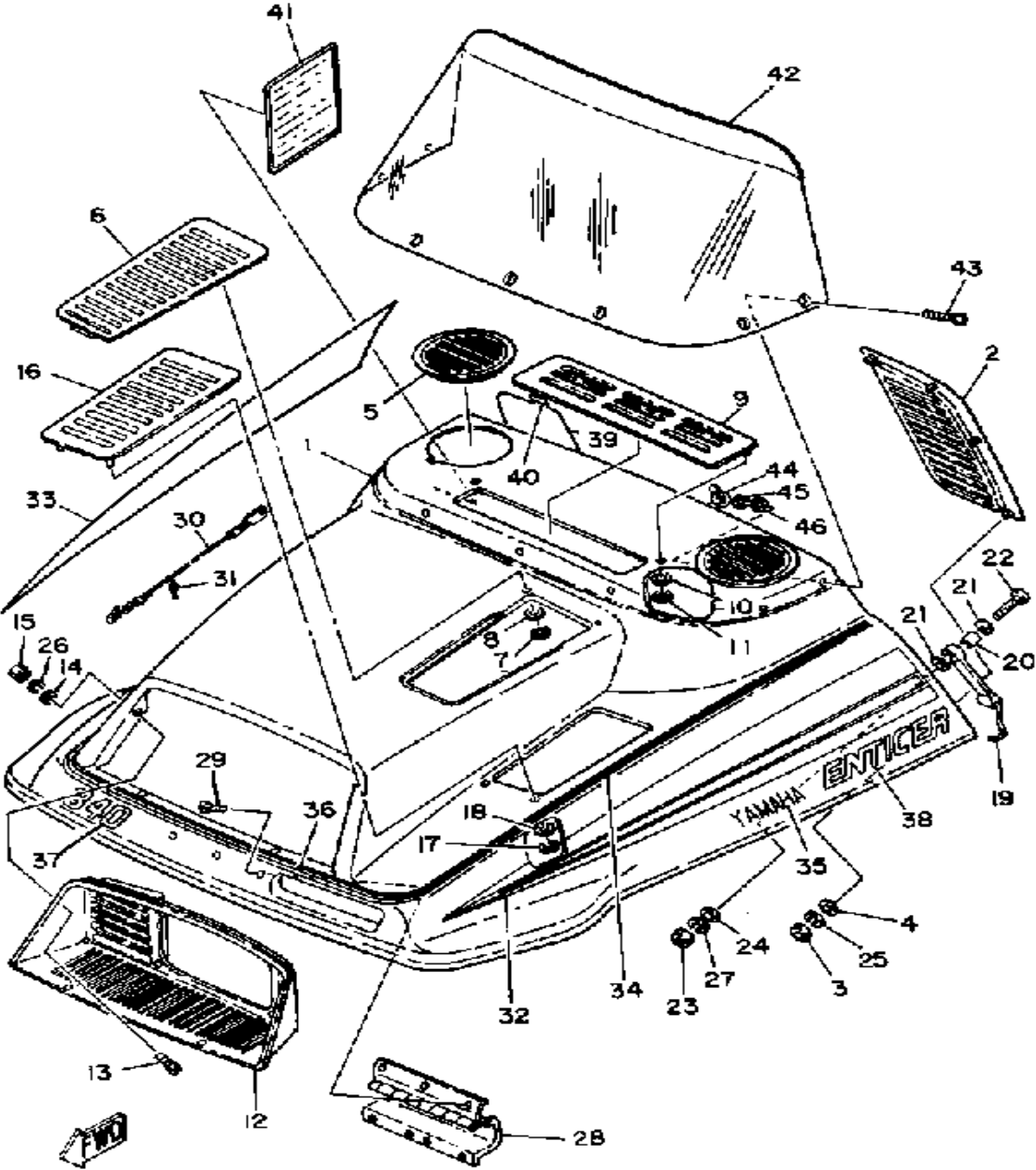


Ref. No.	Part Number	Description	Qty	Remarks
1	8J6-W7711-00-00	SHROUD ASSEMBLY	1	
2	8F3-77131-00-00	LOUVER 1	1	
3	95380-05600-00	NUT	4	
4	92990-05200-00	WASHER, PLAIN	4	
5	8A7-77133-30-00	LOUVER 3	2	
6	8J4-77134-00-00	LOUVER 4	1	
7	90183-05003-00	NUT, SPRING	2	
8	838-77143-00-00	EMBLEM 3	2	
9	8J4-77109-00-00	LOUVER 5	1	
10	838-77143-00-00	EMBLEM 3	2	
11	90183-05003-00	NUT, SPRING	2	
12	8F3-84311-00-00	BODY, HEADLIGHT	1	
13	98906-05020-00	SCREW, BIND	4	
14	90201-05651-00	WASHER, PLATE	3	
15	95380-05600-00	NUT	4	
16	8J4-77108-00-00	LOUVER 6	1	
17	90183-05003-00	NUT, SPRING	2	
18	838-77143-00-00	EMBLEM 3	2	
19	8G5-77170-00-00	LATCH ASSEMBLY	2	
20	90560-07007-00	SPACER	2	
21	90201-06067-00	WASHER, PLATE	4	
22	98980-06030-00	SCREW, BIND	2	
23	95380-06600-00	NUT	2	
24	92901-06600-00	WASHER	2	
25	92990-05100-00	WASHER, SPRING	4	
26	92990-05100-00	WASHER, SPRING	4	
27	92995-06100-00	WASHER, SPRING	2	
28	8F3-77140-00-00	HINGE ASSEMBLY	1	
29	98903-06016-00	SCREW, BIND	3	

CONTINUED ON NEXT FRAME ➤

Property of www.SmallEngineDiscount.com - Not for Resale

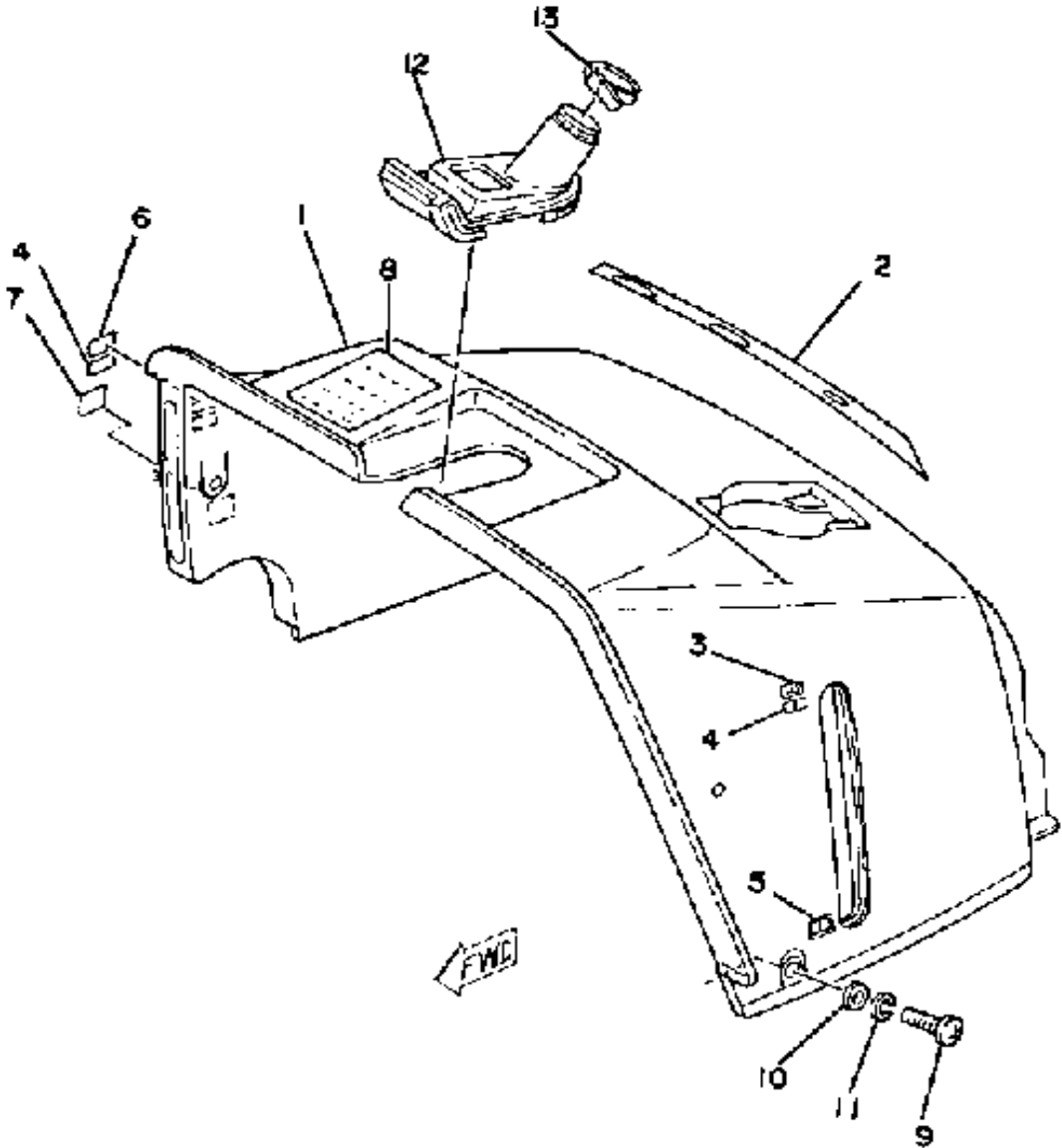
SHROUD - WINDSHIELD



Ref. No.	Part Number	Description	Qty	Remarks
30	8G8-77118-00-00	STOPPER, SHROUD	1	
31	838-77159-00-00	CLAMP, ROD	1	
32	(8J6-77163-00-00)	ORNAMENT 1	1	
33	(8J6-77164-00-00)	ORNAMENT 2	1	
34	(8J6-77169-00-00)	ORNAMENT 3	2	
35	8J5-77113-00-00	ORNAMENT 4	2	
36	8J6-77281-00-00	STRIPE 1	1	
37	8J6-77356-00-00	EMBLEM 6	1	
38	(8J5-77357-00-00)	EMBLEM 7	2	
39	8F3-77458-00-00	LABEL, WARNING	1	
40	288-21659-00-00	LABEL, SAFETY	1	
41	(8J6-77743-00-00)	INDICATOR 3	1	
42	8N5-77210-00-00	WINDSHIELD	1	
43	90154-05059-00	SCREW, BINDING	7	
44	95380-05600-00	NUT	7	
45	92990-05100-00	WASHER, SPRING	7	
46	(8J6-70000-00-00)	ORNAMENT SET		OPTIONAL PARTS KITMARKED WITH +
	90201-05029-00	WASHER, PLATE	6	

Property of www.SmallEngineDiscount.com - Not for Resale

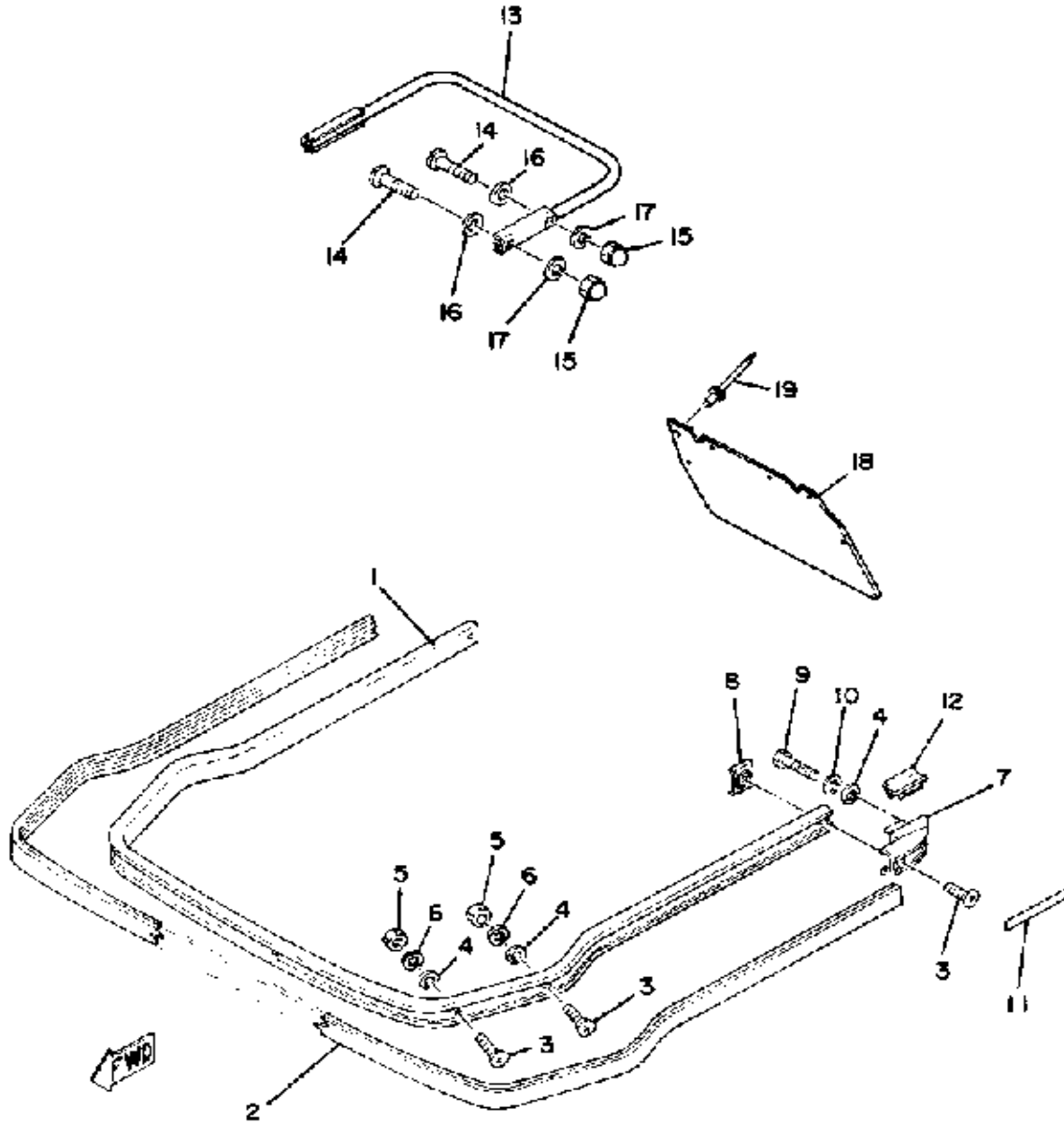
INSTRUMENT PANEL



Ref. No.	Part Number	Description	Qty	Remarks
1	8G8-77711-00-00	PANEL, INSTRUMENT	1	
2	8J6-77741-00-00	INDICATOR 1	1	
3	8A1-77743-00-00	INDICATOR 3	1	
4	878-77744-00-00	INDICATOR 4	2	
5	878-77745-00-00	INDICATOR 5	1	
6	8G8-77742-00-00	INDICATOR 2	1	
7	8E7-77742-00-00	INDICATOR 2	1	
8	8G8-77767-01-00	LABEL, WARNING 7	1	
9	98506-06014-00	SCREW, PAN HEAD (92506-06014)	4	
10	90201-06057-00	WASHER, PLATE	4	
11	92906-06100-00	WASHER, SPRING	4	
12	(8G8-77746-00-00)	GROMMET	1	
13	341-26397-01-00	BAND	1	

Property of www.SmallEngineDiscount.com - Not for Resale

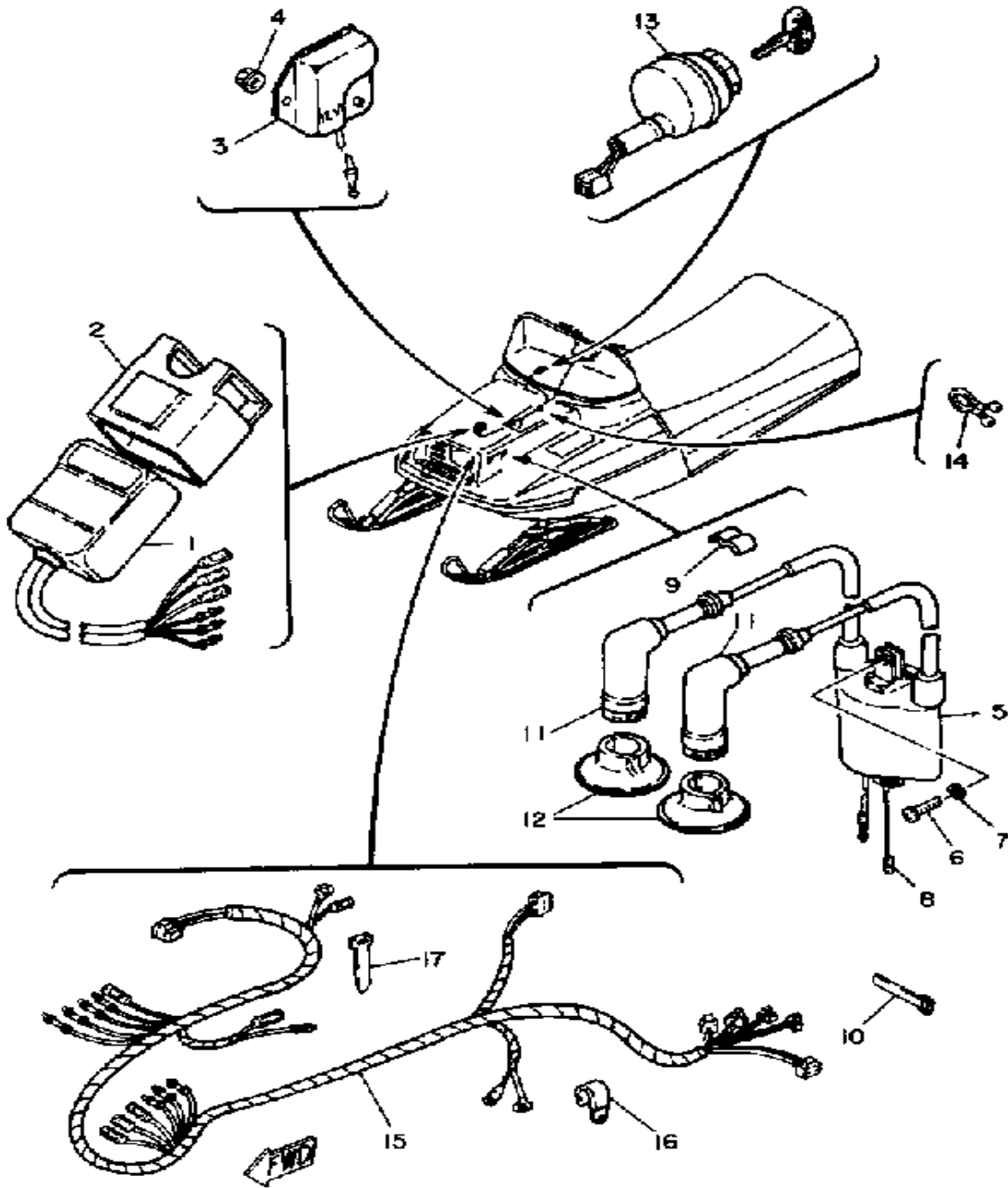
BUMPER



Ref. No.	Part Number	Description	Qty	Remarks
1	8G8-77511-00-00	BUMPER, FRONT 1	1	
2	8G8-77514-00-00	BUMPER, FRONT 4	1	
3	98701-06030-00	SCREW, FLAT HEAD	6	
4	90201-06M08-00	WASHER, PLATE	8	
5	95380-06600-00	NUT	4	
6	92995-06100-00	WASHER, SPRING	4	
7	8G8-77523-01-00	END, BUMPER	2	
8	8G8-77535-00-00	STAY 1	2	
9	97023-06020-00	BOLT (3XF)	4	
10	92995-06100-00	WASHER, SPRING	4	
11	8G8-77283-00-00	STRIPE 3	2	
12	8H5-77516-00-00	BUSH, RUBBER 2	2	
13	8G8-77541-00-00	BUMPER, REAR 1	1	
14	98901-08035-00	SCREW, BIND	4	
15	95303-08800-00	NUT (CROWN) (95301-08800)	4	
16	92990-08200-00	WASHER, PLAIN	4	
17	92990-08100-00	WASHER	4	
18	8F2-77595-00-00	FLAP	1	
19	90267-48086-00	RIVET, BLIND	5	

Property of www.SmallEngineDiscount.com - Not for Resale

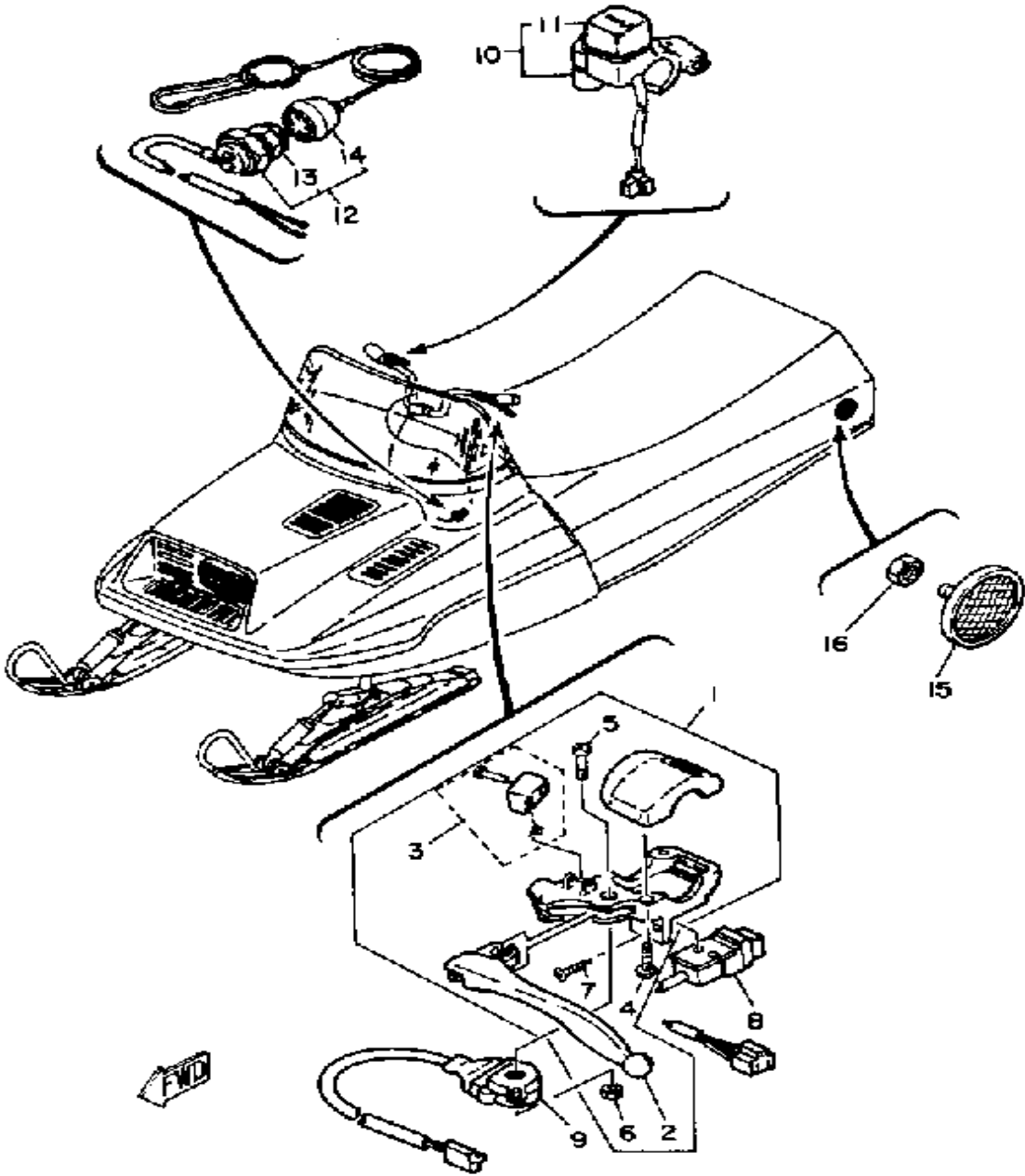
ELECTRICAL 1



Ref. No.	Part Number	Description	Qty	Remarks
1	8H4-85540-20-00	CDI UNIT ASSEMBLY	1	
2	2A7-85546-00-00	BAND	1	
3	82F-81910-A0-00	VOLTAGE REGULATOR ASSEMBLY	1	
4	95701-06300-00	NUT, NYLON	2	
5	8E7-82310-11-00	IGNITION COIL ASSEMBLY	1	
6	98580-06020-00	SCREW	2	
7	92995-06100-00	WASHER, SPRING	2	
8	J42-82318-00-00	WIRE, SUB-LEAD	1	
9	861-82361-00-00	CLAMP, CORD	1	
10	J45-83936-00-00	BAND, SWITCH CORD	1	
11	8E7-82370-11-00	PLUG CAP ASSEMBLY	2	W/NOISE SUPPRESSOR
12	8G8-82372-00-00	SEAL, PLUG CAP	2	
13	8R4-82508-20-00	MAIN SWITCH ASSEMBLY	1	
14	90464-16039-00	CLAMP	1	
15	8J6-82590-20-00	WIRE HARNESS ASSEMBLY	1	
16	90465-08028-00	CLAMP	2	
17	437-83936-01-00	BAND, SWITCH CORD	4	

Property of www.SmallEngineDiscount.com - Not for Resale

ELECTRICAL 2

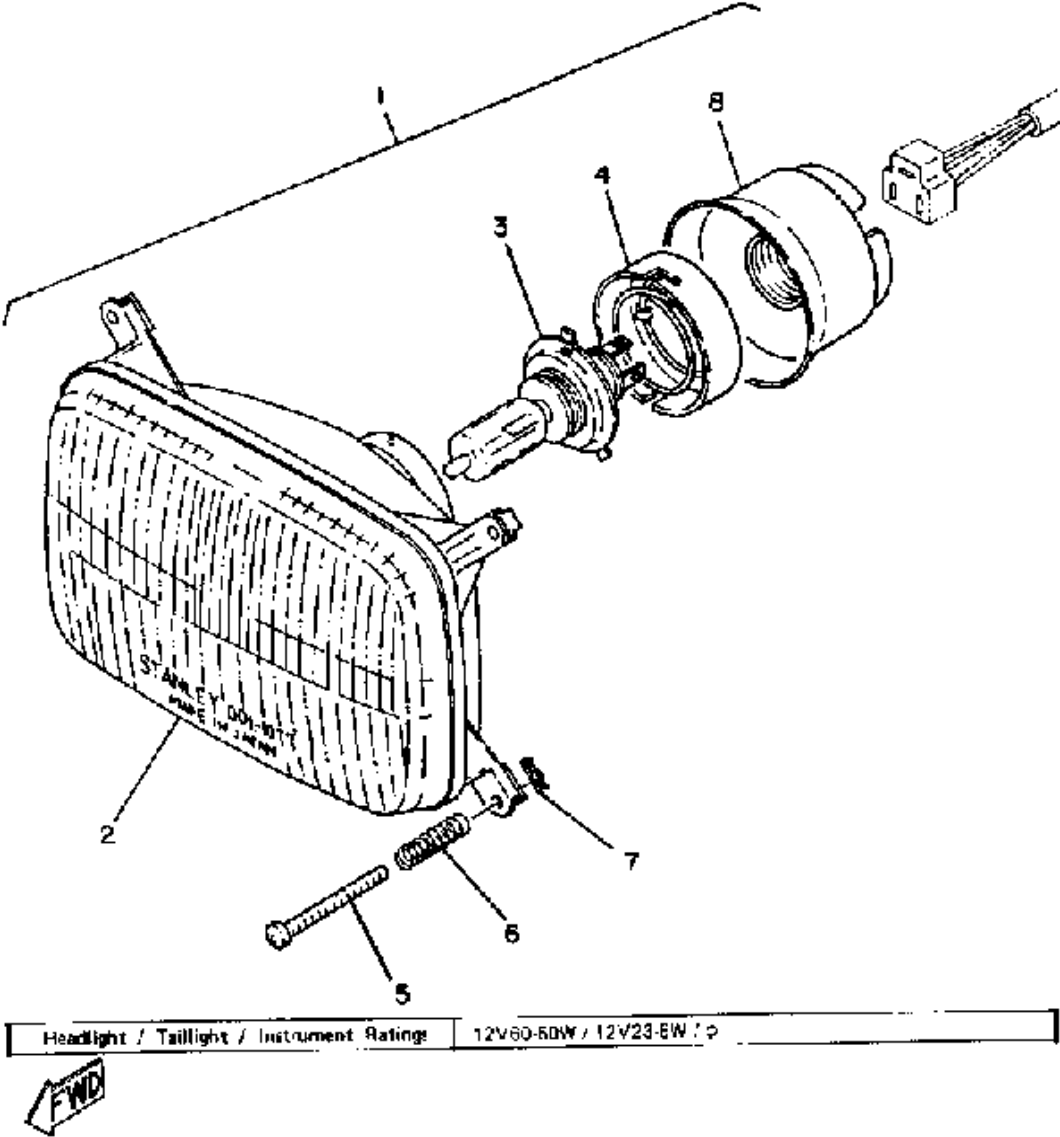


Ref. No.	Part Number	Description	Qty	Remarks
1	8E3-W8291-01-00	LEVER HOLDER ASSEMBLY (LEFT)	1	
2	803-83912-00-38	. LEVER 1	1	CLEAR BUFFING
3	8E3-83930-00-00	. LEVER LOCK ASSEMBLY	1	
4	98501-05018-00	. SCREW, PAN HEAD	2	
5	98580-05540-00	. SCREW, PAN HEAD	1	
6	95701-05300-00	. NUT, NYLON	1	
7	97780-30312-00	. SCREW, tapping	1	
8	8H8-83950-01-00	BEAM SWITCH ASSEMBLY (8K4-83950-01-00)	1	
9	8R4-82530-00-00	STOP SWITCH ASSEMBLY	1	
10	8E3-83976-01-00	SWITCH, HANDLE 1	1	
11	8E3-83956-01-00	. CAP 1	1	
12	8H8-82550-01-00	ENGINE STOP SWITCH ASSEMBLY	1	
13	8H8-82557-00-00	. NUT	1	
14	8H8-82552-09-00	. CAP, SWITCH	1	
15	449-85131-02-00	REFLECTOR, REAR 1	2	
16	95701-05300-00	NUT, NYLON	2	

Property of www.SmallEngineDiscount.com - Not for Resale

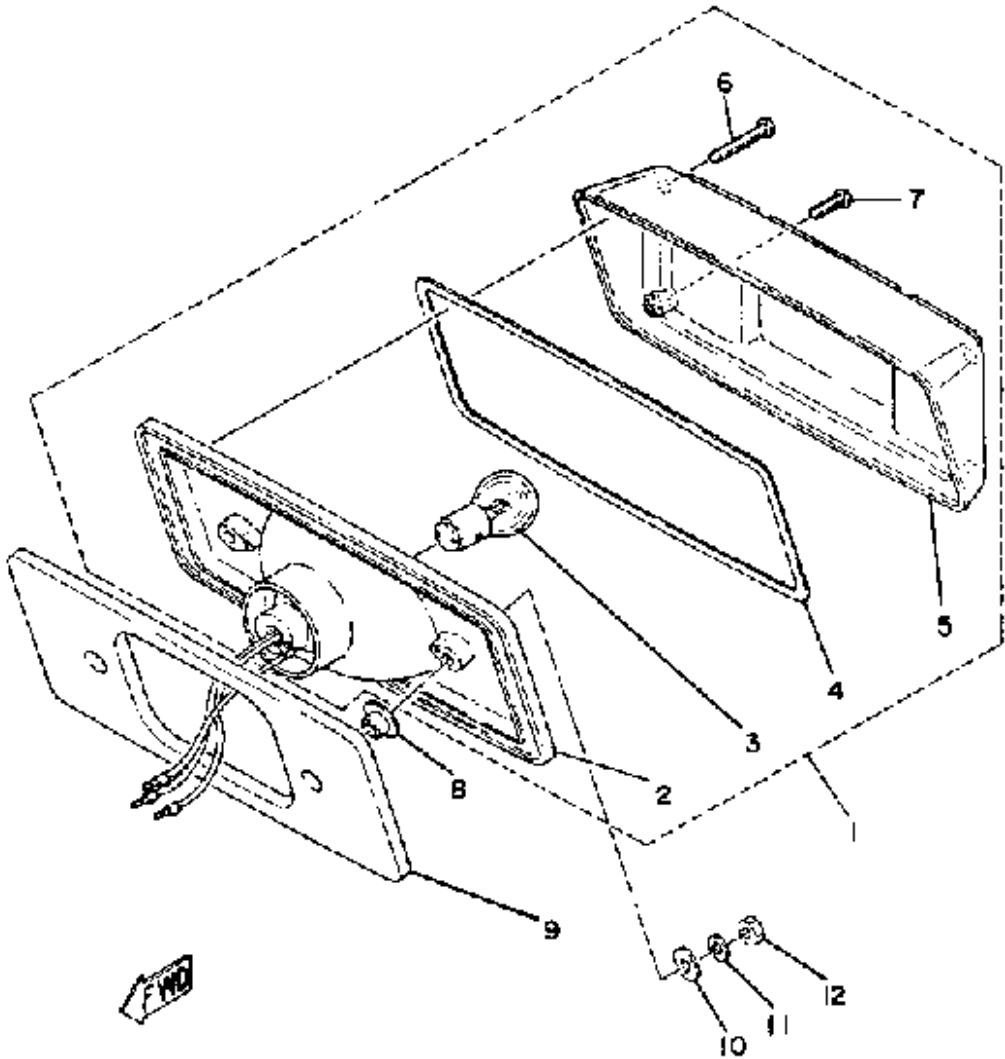
HEADLIGHT

Ref. No.	Part Number	Description	Qty	Remarks
1	8A7-84310-81-00	HEADLIGHT UNIT ASSEMBLY .	1	
2	8A7-84320-00-00	. LENS ASSEMBLY	1	
3	8A7-84314-00-00	. BULB (12V-60/60W)	1	
4	8A7-84312-00-00	. HOLDER, SOCKET	1	
5	8M6-84331-00-00	. SCREW, RIM ADJUSTING (8A5-84331-00-00)	4	
6	8A5-84332-00-00	. SPRING, SCREW	4	
7	8K4-84374-00-00	. CLIP	4	
8	8A7-84397-01-00	. COVER, SOCKET	1	



Property of www.SmallEngineDiscount.com - Not for Resale

TAILLIGHT

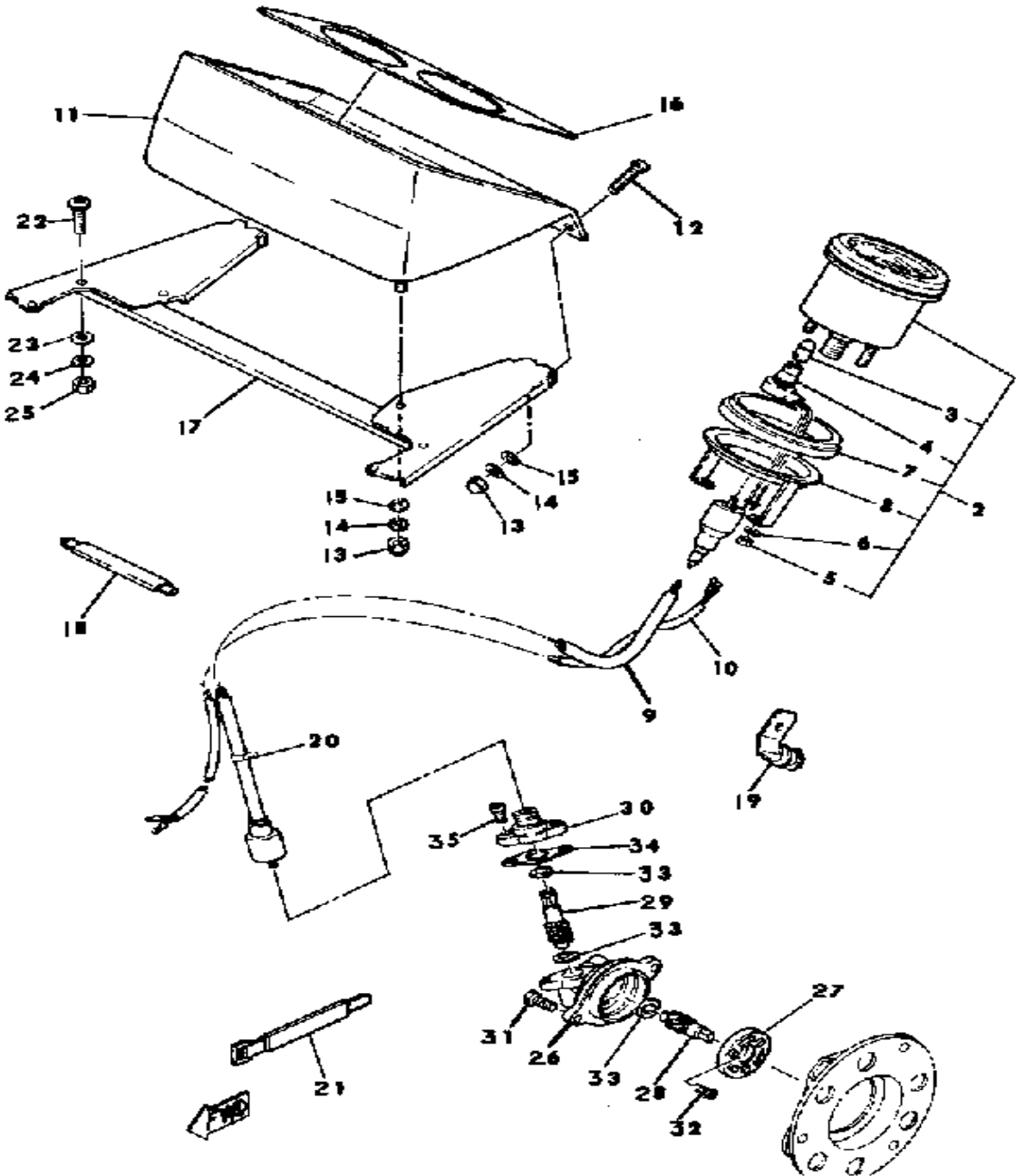


Ref. No.	Part Number	Description	Qty	Remarks
1	8A1-84710-00-00	TAILLIGHT UNIT ASSEMBLY ..	1	
2	8A1-84710-00-00	. TAILLIGHT UNIT ASSEMBLY .	1	
3	137-84714-61-00	. BULB, TL 12V23/8W (J50-83311-00)	1	
4	821-84712-00-00	. SEAT, BASE	1	
5	821-84721-00-00	. LENS, TAILLIGHT	1	
6	98511-04030-00	. SCREW, PAN HEAD	2	
7	98503-04014-00	. SCREW, PAN HEAD	2	
8	90387-06648-00	COLLAR	2	
9	878-84753-00-00	DAMPER	1	
10	92901-06600-00	WASHER	2	
11	92995-06100-00	WASHER, SPRING	2	
12	95380-06600-00	NUT	2	

Headlight / Taillight / Instrument Ratings 12V60-60W / 12V23-8W / φ

Property of www.SmallEngineDiscount.com - Not for Resale

SPEEDOMETER

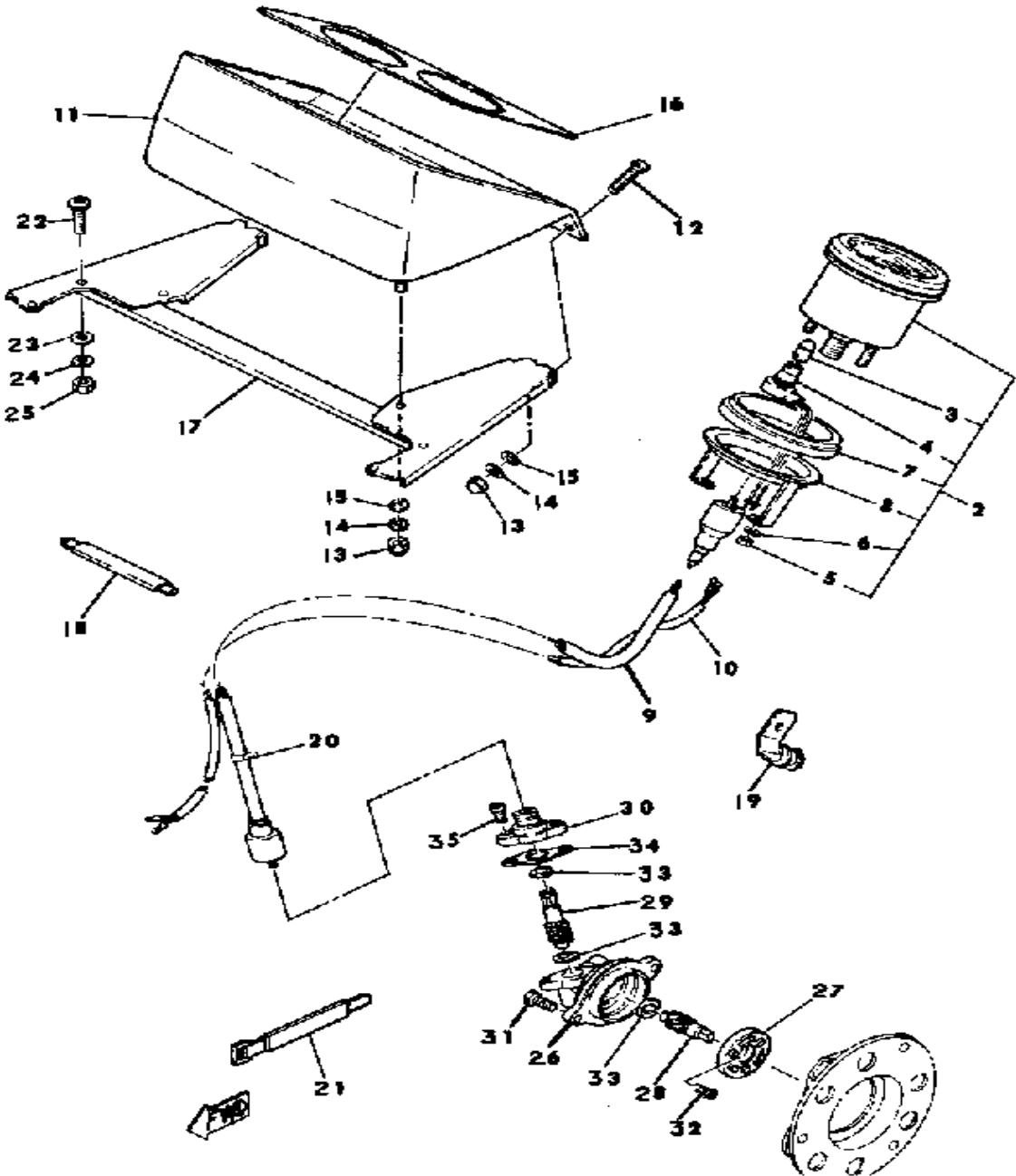


Ref. No.	Part Number	Description	Qty	Remarks
1	(ACC-01200-68-00)	SPEEDOET300/340BCD	1	
2	8G6-83510-21-00	. SPEEDOMETER ASSEMBLY .	1	
3	123-83516-21-00	.. BULB (12V-3.4W)	1	
4	(861-83536-40-00)	SOCKET, METER	1	
5	95380-05600-00	.. NUT	2	
6	92990-05100-00	.. WASHER, SPRING	2	
7	8G6-83523-00-00	.. DAMPER	1	
8	8G6-83519-00-00	.. BRACKET, METER	1	
9	8F3-83550-01-00	. SPEEDOMETER CABLE	1	
10	8H4-83553-00-00	. WIRE, LEAD	1	
11	8G5-83611-00-00	. PANEL, METER	1	
12	98906-05020-00	. SCREW, BIND	2	
13	95380-05600-00	. NUT	4	
14	92990-05100-00	. WASHER, SPRING	4	
15	92990-05200-00	. WASHER, PLAIN	4	
16	8G6-83612-00-00	. COVER, METER PANEL	1	
17	8G5-83631-00-00	. BRACKET, PANEL 1	1	
18	90465-05128-00	. CLAMP	1	
19	90465-08028-00	. CLAMP	1	
20	25G-83936-01-00	. BAND, SWITCH CORD	1	
21	341-26397-01-00	. BAND	1	
22	98901-05016-00	. SCREW, BIND (98903-05016-00)	2	
23	92990-05200-00	. WASHER, PLAIN	2	
24	92990-05100-00	. WASHER, SPRING	2	
25	95380-05600-00	. NUT	2	
26	8E6-47711-10-00	. HOUSING	1	
27	853-47712-10-00	. JOURNAL	1	
28	810-47731-11-00	. GEAR, DRIVE	1	

CONTINUED ON NEXT FRAME ►

Property of www.SmallEngineDiscount.com - Not for Resale

SPEEDOMETER

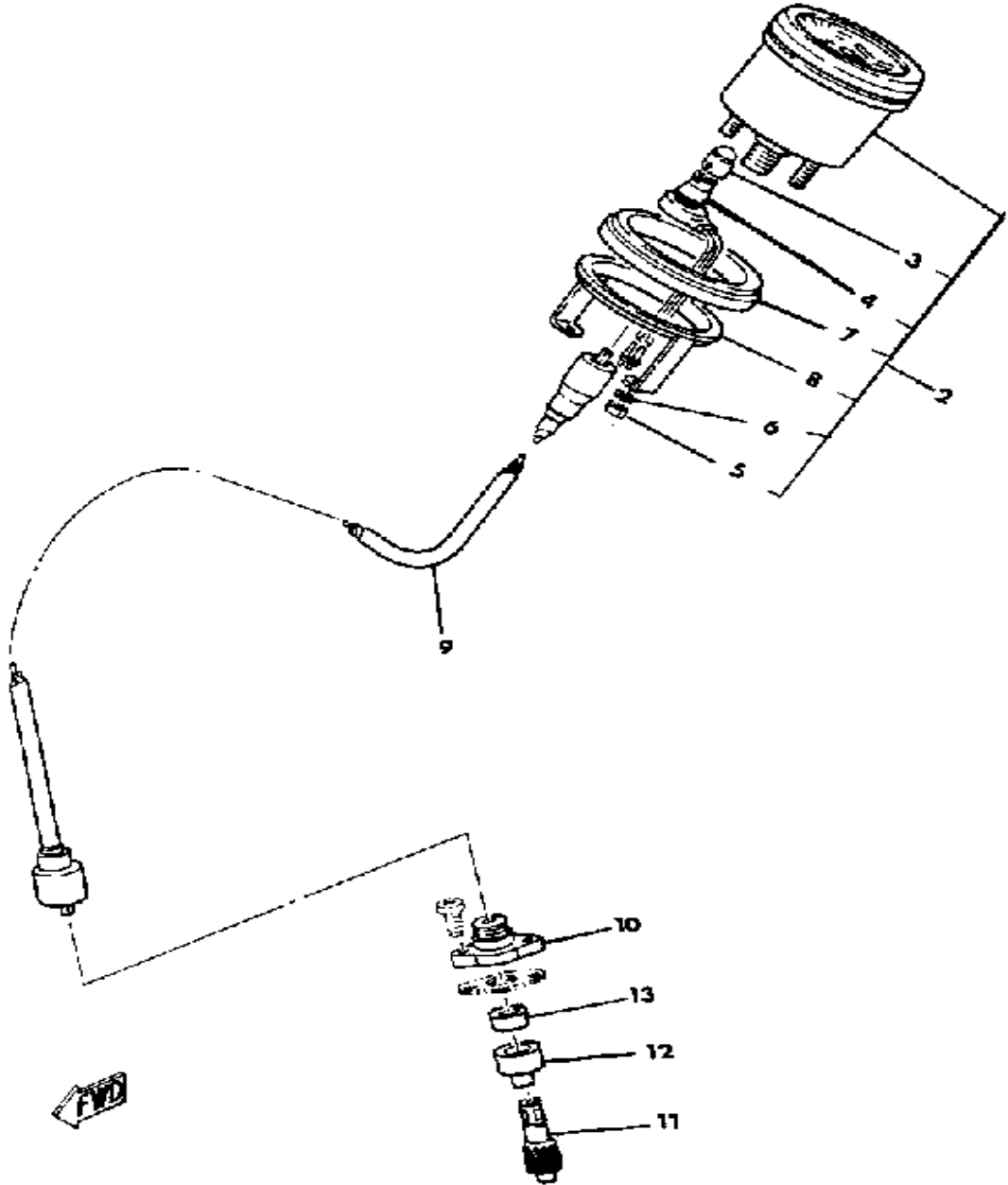


Ref. No.	Part Number	Description	Qty	Remarks
29	810-47741-11-00	. GEAR, DRIVEN (810-47741-10)	1	
30	8E3-47721-10-00	. COVER, HOUSING	1	
31	97313-06016-00	. BOLT, HEXAGON	2	
32	98701-04012-00	. SCREW, FLAT HEAD	3	
33	810-47717-10-00	. SHIM	3	
34	810-47727-10-00	. GASKET	1	
35	98580-05012-00	. SCREW, PAN HEAD	2	

Property of www.SmallEngineDiscount.com - Not for Resale

TACHOMETER

Ref. No.	Part Number	Description	Qty	Remarks
1	(ACC-01200-71-00)	TACHET300/340BCDED	1	
2	8R5-83540-00-00	. TACHOMETER ASSEMBLY ..	1	
3	123-83516-21-00	.. BULB (12V-3.4W)	1	
4	(861-83536-40-00)	SOCKET, METER	1	
5	95380-05600-00	.. NUT	2	
6	92990-05100-00	.. WASHER, SPRING	2	
7	8G6-83523-00-00	.. DAMPER	1	
8	8G6-83519-00-00	.. BRACKET, METER	1	
9	8G6-83560-01-00	. TACHOMETER CABLE	1	
10	821-17819-00-00	. CAP, HOUSING	1	
11	813-17841-00-00	. GEAR, DRIVEN (10T)	1	
12	821-17843-00-00	. BUSH, DRIVEN GEAR OUTER	1	
13	93104-06033-00	. OIL SEAL	1	



Property of www.SmallEngineDiscount.com - Not for Resale

ET340D 1980 SERVICE DATA

SNOWMOBILE
S79-010

MODEL – IBM I.D. NUMBER	ET340D	8J6
Starting Engine and Frame Number	E338-025101 / 8J6-025101	
Dry Vehicle Weight	165 kg (364 lbs.)	
ENGINE – Type / Induction System	2-Stroke, 5-Port, Piston Port, Forced Air-Cooled	
Bore x Stroke x Cylinders / Displacement	60.0mm x 59.6mm x 2 / 338cc	
Compression Ratio	6.5:1	
Piston Skirt Clearance (New/Max)	0.040 ~ 0.045mm / 0.1mm	
Ring End Gap (Top/2nd)	0.35 ~ 0.55mm / 0.35 ~ 0.55mm	
Ring Groove Clearance (Top/2nd)	0.02 ~ 0.06mm / 0.02 ~ 0.06mm	
Coolant Type / Mixing Ratio	φ / φ	
CARBURETOR – Mfr. / Type / I.D. Number	Mikuni / B38-34 / 8H500	
Quantity / Venturi Size (Measured/Effective)	1 / 38mm / 34mm	
Main Jet / Main Air Jet	240 / φ	
Partial Jet / Slow Jet / Slow Air Jet / Air Screw	φ / φ / φ / φ	
Pilot Jet / Pilot Screw	75 / 1 Turn Out	
Needle Jet/Jet Needle-Clip Position/Cutaway/Air Jet	φ / φ / φ / φ	
Power Jet / Power Air Jet	φ / φ	
Fuel Inlet Valve / Float Level / Fuel Level	1.5 / 25 ± 1mm / φ	
Idle Speed	1700 rpm	
AUTOLUBE – Pump Color / Control Rod Adj.	White / 25 ± 1mm @ Idle @ Pump Assembly	
Pump Plunger Stroke (Min) (Max)	0.20 ~ 0.25mm / 1.67 ~ 1.87mm	
Output @ 200 Strokes (Full Throttle/Idle)	4.15 ~ 4.70cc / 0.50 ~ 0.63cc	
DRIVE – Type	V-Belt Automatic	
Primary Sheave Engagement rpm	3000 rpm	
Belt Length / Width / Wear Limit / IBM Number	1099mm / 31.6mm / 26mm / 820	
Primary Ratio(s)	3.5:1 ~ 1:1	
Sheave Center to Center / Offset	266 ± 2mm / 11 ± 1mm	
Primary Spring Color / Length / Rate	Red / 79.4mm / 1.4 kg-mm ± 0.1 kg-mm	
Secondary Spring Pre-Load/Part Number/Color	160 ^o / 90508-40080-00 / None	
Secondary Drive Ratio/Chain Pitch-Type/Freerplay	1.692 (22-13) / 12.7mm No. 40K-2 / 10mm ⁺⁵ / ₂ mm	
Track (Width) / Tension	381mm / 25 ~ 30mm @ 10 kg	
CAPACITIES – Chain Case / Quantity / Type	400cc / SAE 75 ~ 80, API GL-3	
Fuel Tank / Quantity / Grade	22.7 Lit. (6 Gal.) / Regular	
Autolube Tank / Quantity / Type	2.4 Lit. (2.5 Qts.) / Yamalube 2	
ELECTRICAL – Mfr. / Type	Mitsubishi / CDI	
Battery: Model / Spec Gravity / Charge Rate	φ	
Lighting Output at Full Load	12V100W	
Headlight / Taillight / Instrument Ratings	12V60-60W / 12V23-8W / φ	
Lighting Coil Resistance	Yel ~ Blk / 0.19 Ω ± 10%	
Ignition Source Coil Resistance (Charge Coil)	Brn ~ Blk / 350 Ω ± 10% Blu ~ Blk / 15.0 Ω ± 10%	
Pulse Coil Resistance	Wht-Red ~ Blk / 9.0 Ω ± 10%	
Ignition Coil Resistance Primary / Secondary	0.15 Ω ± 10% / 3.6K Ω ± 20%	
Spark Plug Type / Gap / Torque	NGK BR-9ES / 0.8mm / 2.7 m·kg	
Timing (B.T.D.C.)*	1.6 ± 0.1mm	

N/A = Information Not Available

*After Setting Statically, Check With Timing Light

φ = Does Not Apply To This Model

Service Copy: _____ Service Mgr. _____ Mechanic _____ Mechanic _____ Mechanic _____ Binder

Office Copy: _____ General Mgr. _____ Sales _____ Parts _____ Binder

June 25, 1979 PAGE 1 OF 1

B-3 ET340D 1980 SERVICE DATA

SNOWMOBILE
S79-010

MODEL – IBM I.D. NUMBER	ET340D	8J6
Starting Engine and Frame Number	E338-025101 / 8J6-025101	
Dry Vehicle Weight	165 kg (364 lbs.)	
ENGINE – Type / Induction System	2-Stroke, 5-Port, Piston Port, Forced Air-Cooled	
Bore x Stroke x Cylinders / Displacement	60.0mm x 59.6mm x 2 / 338cc	
Compression Ratio	6.5:1	
Piston Skirt Clearance (New/Max)	0.040 ~ 0.045mm / 0.1mm	
Ring End Gap (Top/2nd)	0.35 ~ 0.55mm / 0.35 ~ 0.55mm	
Ring Groove Clearance (Top/2nd)	0.02 ~ 0.06mm / 0.02 ~ 0.06mm	
Coolant Type / Mixing Ratio	φ / φ	
CARBURETOR – Mfr. / Type / I.D. Number	Mikuni / B38-34 / 8H500	
Quantity / Venturi Size (Measured/Effective)	1 / 38mm / 34mm	
Main Jet / Main Air Jet	240 / φ	
Partial Jet / Slow Jet / Slow Air Jet / Air Screw	φ / φ / φ / φ	
Pilot Jet / Pilot Screw	75 / 1 Turn Out	
Needle Jet/Jet Needle-Clip Position/Cutaway/Air Jet	φ / φ / φ / φ	
Power Jet / Power Air Jet	φ / φ	
Fuel Inlet Valve / Float Level / Fuel Level	1.5 / 25 ± 1mm / φ	
Idle Speed	1700 rpm	
AUTOLUBE – Pump Color / Control Rod Adj.	White / 25 ± 1mm @ Idle @ Pump Assembly	
Pump Plunger Stroke (Min) (Max)	0.20 ~ 0.25mm / 1.67 ~ 1.87mm	
Output @ 200 Strokes (Full Throttle/Idle)	4.15 ~ 4.70cc / 0.50 ~ 0.63cc	
DRIVE – Type	V-Belt Automatic	
Primary Sheave Engagement rpm	3000 rpm	
Belt Length / Width / Wear Limit / IBM Number	1099mm / 31.6mm / 26mm / 820	
Primary Ratio(s)	3.5:1 ~ 1:1	
Sheave Center to Center / Offset	266 ± 2mm / 11 ± 1mm	
Primary Spring Color / Length / Rate	Red / 79.4mm / 1.4 kg-mm ± 0.1 kg-mm	
Secondary Spring Pre-Load/Part Number/Color	160 ^o / 90508-40080-00 / None	
Secondary Drive Ratio/Chain Pitch-Type/Freerplay	1.692 (22-13) / 12.7mm No. 40K-2 / 10mm ⁺⁵ / ₂ mm	
Track (Width) / Tension	381mm / 25 ~ 30mm @ 10 kg	
CAPACITIES – Chain Case / Quantity / Type	400cc / SAE 75 ~ 80, API GL-3	
Fuel Tank / Quantity / Grade	22.7 Lit. (6 Gal.) / Regular	
Autolube Tank / Quantity / Type	2.4 Lit. (2.5 Qts.) / Yamalube 2	
ELECTRICAL – Mfr. / Type	Mitsubishi / CDI	
Battery: Model / Spec Gravity / Charge Rate	φ	
Lighting Output at Full Load	12V100W	
Headlight / Taillight / Instrument Ratings	12V60-60W / 12V23-8W / φ	
Lighting Coil Resistance	Yel ~ Blk / 0.19 Ω ± 10%	
Ignition Source Coil Resistance (Charge Coil)	Brn ~ Blk / 350 Ω ± 10% Blu ~ Blk / 15.0 Ω ± 10%	
Pulse Coil Resistance	Wht-Red ~ Blk / 9.0 Ω ± 10%	
Ignition Coil Resistance Primary / Secondary	0.15 Ω ± 10% / 3.6K Ω ± 20%	
Spark Plug Type / Gap / Torque	NGK BR-9ES / 0.8mm / 2.7 m·kg	
Timing (B.T.D.C.)*	1.6 ± 0.1mm	

N/A = Information Not Available

*After Setting Statically, Check With Timing Light

φ = Does Not Apply To This Model

Service Copy: _____ Service Mgr. _____ Mechanic _____ Mechanic _____ Mechanic _____ Binder

Office Copy: _____ General Mgr. _____ Sales _____ Parts _____ Binder

©YAMAHA MOTOR CORPORATION, U.S.A. 1979 CYPRESS, CALIF.

June 25, 1979 PAGE 1 OF 1

Property of www.SmallEngineDiscount.com - Not for Resale