



YAMAHA

GENUINE

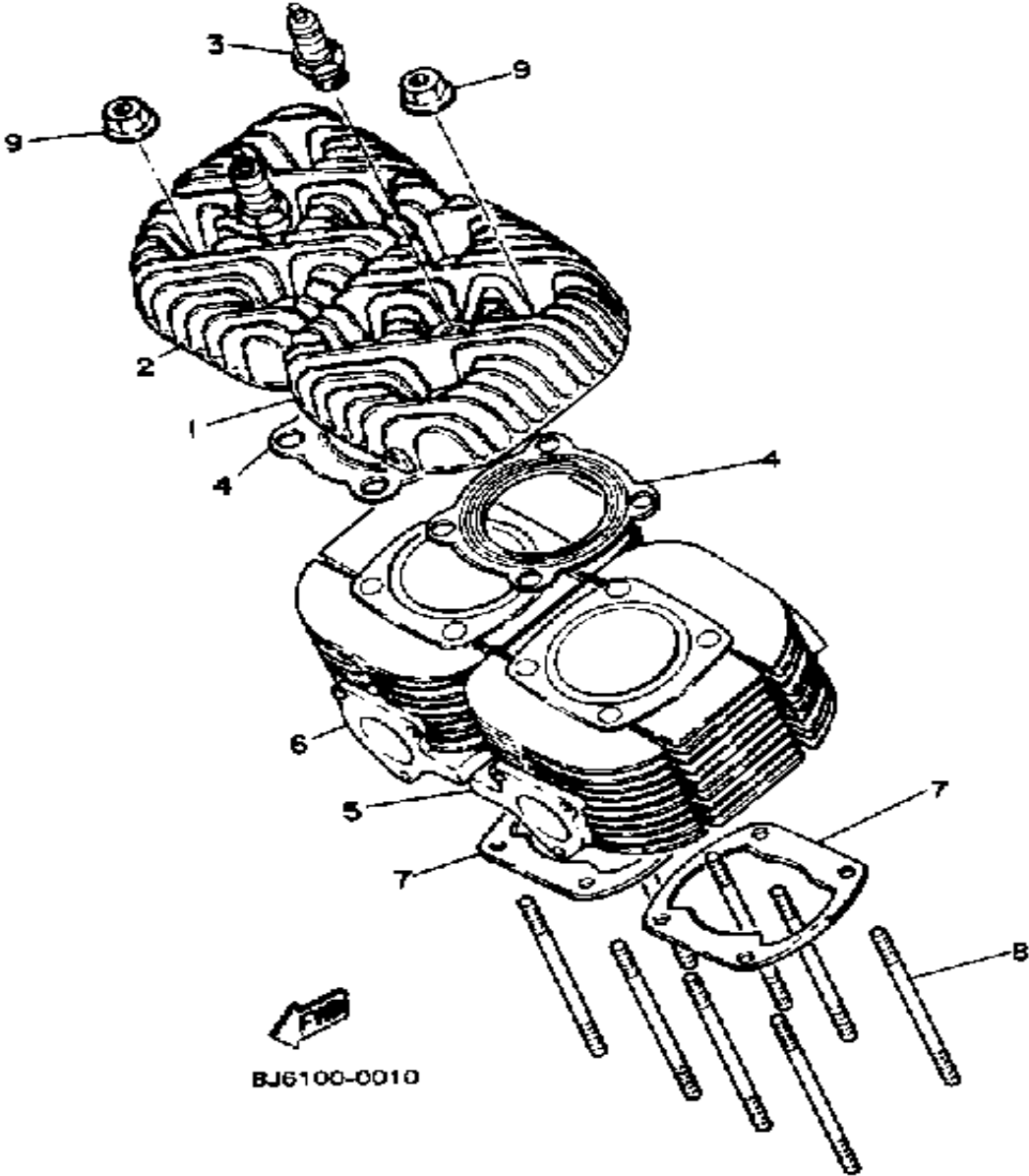
PARTS CATALOGUE

SNOWMOBILE

Property of www.SmallEngineDiscount.com - Not for Resale

A1

CYLINDER

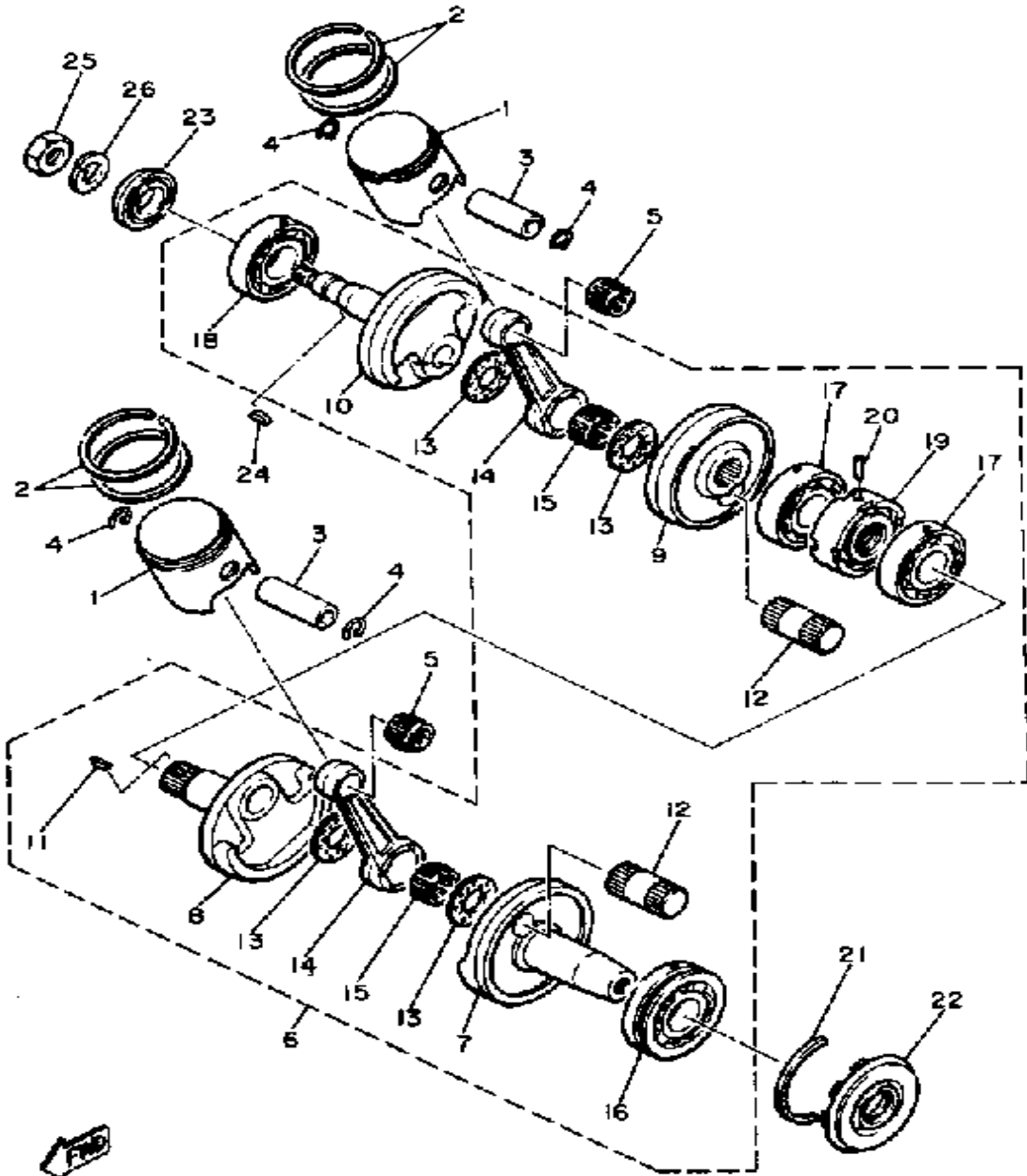


Ref. No.	Part Number	Description	Qty	Remarks
1	8G8-11111-00-00	HEAD, CYLINDER 1	1	
2	8G8-11121-00-00	HEAD, CYLINDER 2	1	
3	NGK-BR9ES-00-00	PLUG, SPARK	2	
4	8G8-11181-01-00	GASKET, CYLINDER HEAD 1 .	2	
5	8G8-11311-00-00	CYLINDER 1	1	
6	8G8-11321-00-00	CYLINDER 2	1	
7	846-11351-01-00	GASKET, CYLINDER	2	
8	90116-08107-00	BOLT, STUD	8	
9	95701-08500-00	NUT, FLANGE	8	

Property of www.SmallEngineDiscount.com - Not for Resale

CRANKSHAFT - PISTON

Ref. No.	Part Number	Description	Qty	Remarks
1	8G8-11631-01-96	PISTON STD.	2	U.R.
	8G8-11635-00-00	PISTON 1 O/S 0.5	2	ALTERNATE PART
	8G8-11636-00-00	PISTON 2 O/S 0.0	2	ALTERNATE PART
2	8G8-11601-00-00	PISTON RING SET (STD)	2	U.R. STD
	8G8-11601-10-00	PISTON RING SET (0.25MM O/S)	2	ALTERNATE PART
	8G8-11601-20-00	PISTON RING SET (0.50MM O/S)	2	ALTERNATE PART
3	137-11633-00-00	PIN, PISTON	2	
4	93450-17025-00	CIRCLIP	4	
5	93310-216E1-00	BEARING	2	
6	8L3-11400-00-00	CRANKSHAFT ASSEMBLY ...	1	
7	8G8-11412-01-00	. CRANK 1	1	
8	8L3-11422-01-00	. CRANK 2	1	
9	8L3-11432-01-00	. CRANK 3	1	
10	8G8-11442-01-00	. CRANK 4	1	
11	90280-05014-00	. KEY, WOODRUFF	1	
12	8G8-11681-00-00	. PIN, CRANK 1	2	
13	90209-22248-00	. WASHER	4	
14	34X-11651-00-00	. ROD, CONNECTING	2	
15	93310-422L0-00	. BEARING	2	
16	93306-30618-00	. BEARING (B6306)	1	
17	93306-20617-00	. BEARING (B6206)	2	
18	93306-30564-00	. BEARING	1	
19	8L3-11515-01-00	. SEAL, LABYRINTH 1	1	
20	91609-30010-00	. PIN, SPRING	1	
21	93440-72049-00	CIRCLIP	1	
22	93102-30184-00	OIL SEAL, SD-TYPE	1	
23	93102-25183-00	OIL SEAL	1	



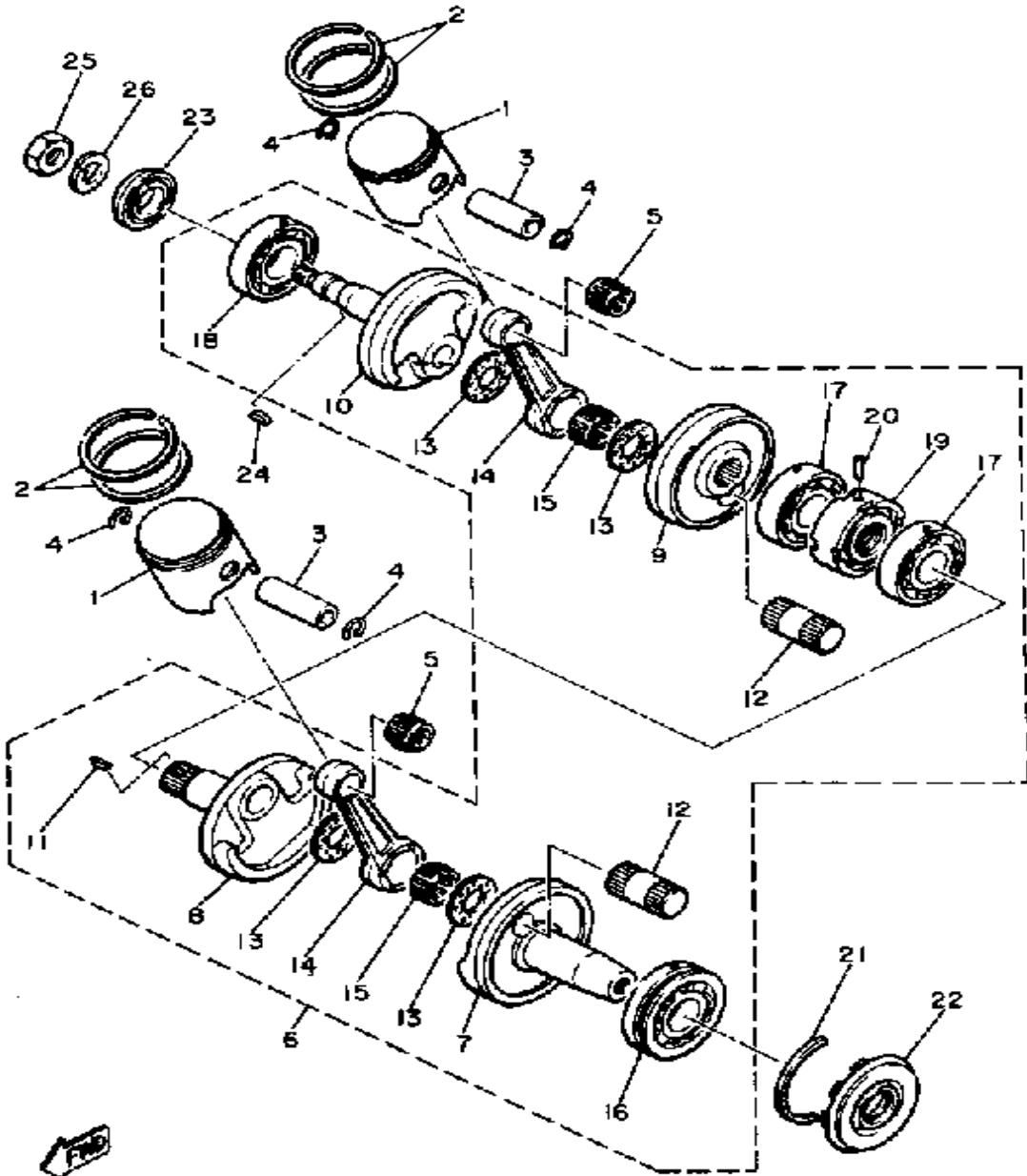
8L4100-1020

CONTINUED ON NEXT FRAME ►

Property of www.SmallEngineDiscount.com - Not for Resale

CRANKSHAFT - PISTON

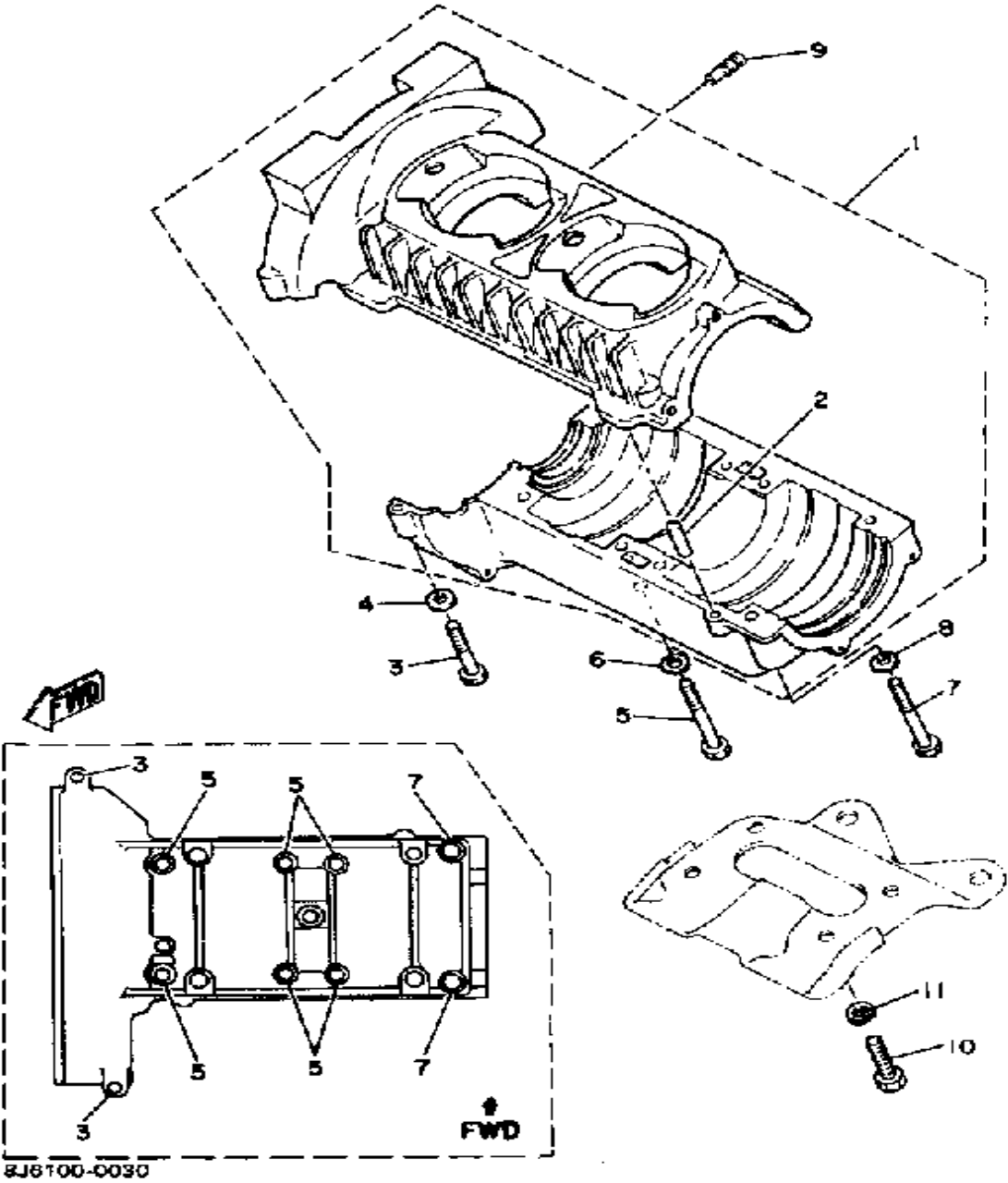
Ref. No.	Part Number	Description	Qty	Remarks
24	90280-16053-00	KEY, WOODRUFF	1	
25	90170-16182-00	NUT	1	
26	92901-16100-00	WASHER, SPRING	1	



8L4100-1020

Property of www.SmallEngineDiscount.com - Not for Resale

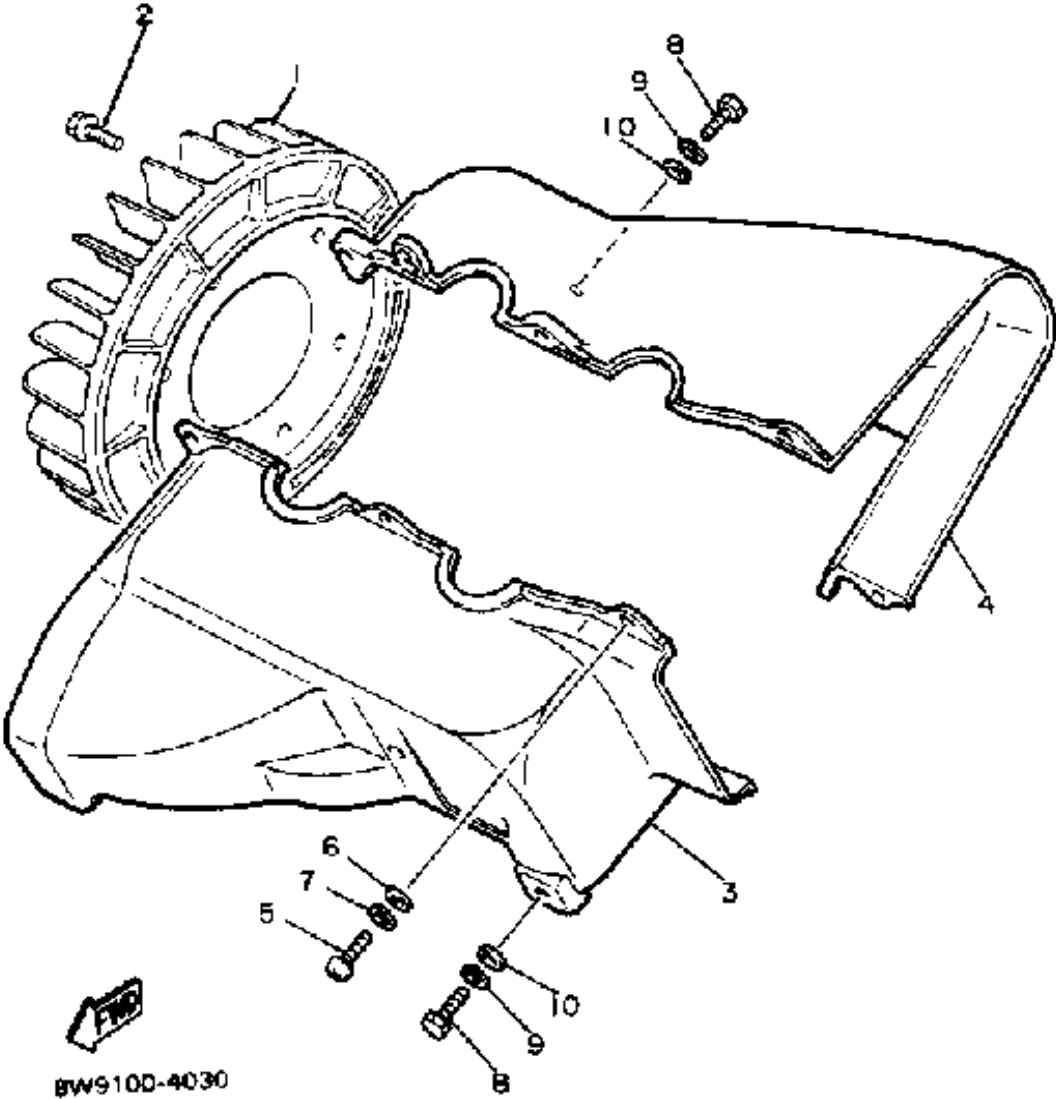
CRANKCASE



Ref. No.	Part Number	Description	Qty	Remarks
1	8G8-15100-02-00	CRANKCASE ASSEMBLY	1	
2	93605-10108-00	. PIN, DOWEL	2	
3	97313-08040-00	BOLT, HEXAGON (97322-08040)	2	
4	92901-08600-00	WASHER	2	
5	97013-08060-00	BOLT (663)	6	
6	92901-08600-00	WASHER	6	
7	97021-08070-00	BOLT	2	
8	92901-08600-00	WASHER	2	
9	8G8-24461-00-00	PIPE, JOINT	1	
10	90106-10034-00	BOLT, DOME HEAD	4	
11	92990-10100-00	WASHER, SPRING	4	

Property of www.SmallEngineDiscount.com - Not for Resale

AIR SHROUD - FAN

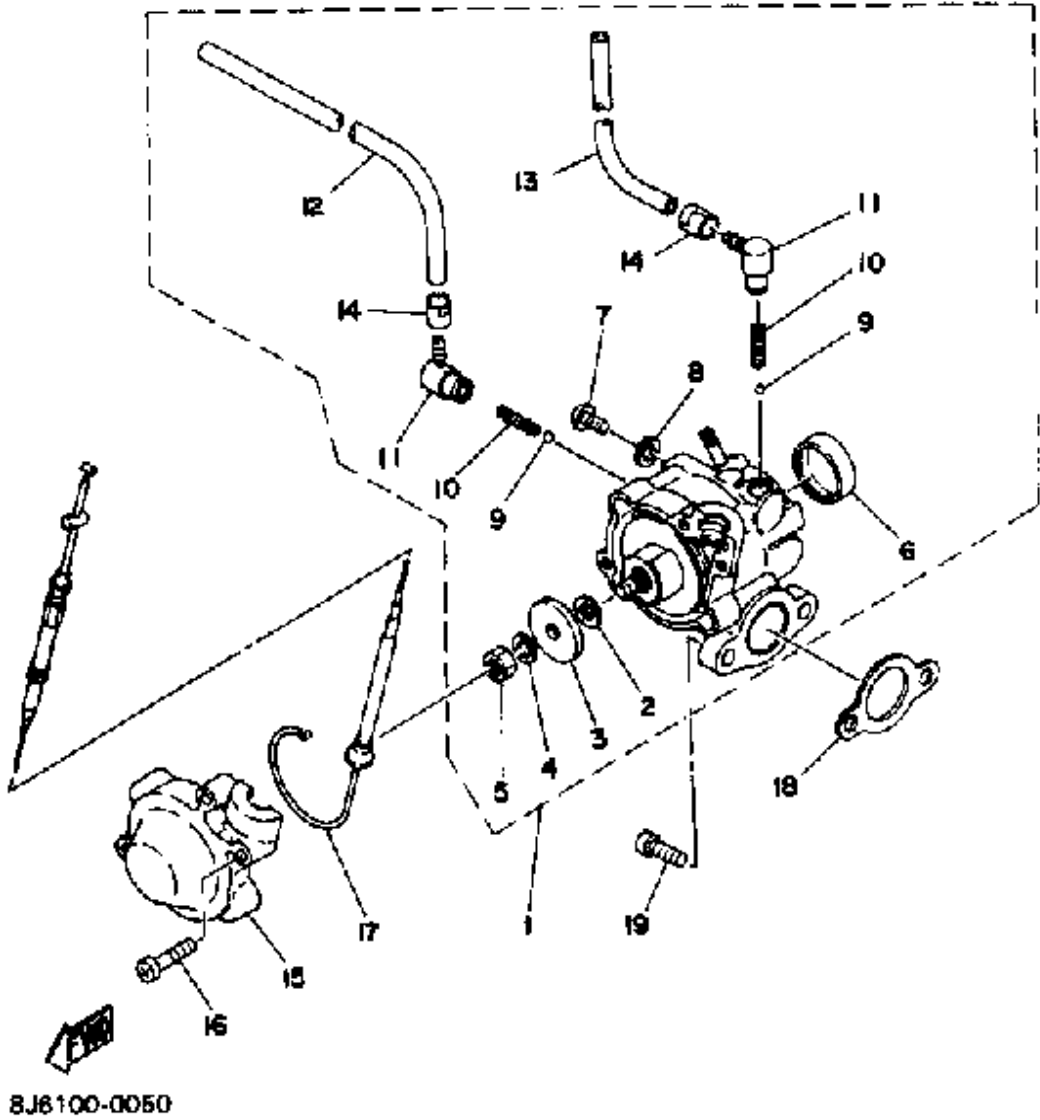


Ref. No.	Part Number	Description	Qty	Remarks
1	8G8-12611-01-00	FAN	1	
2	95811-06012-00	BOLT, FLANGE	6	
3	8W6-12651-00-00	AIR SHROUD, CYLINDER 1CYLINDER 1	1	
4	8W6-12652-00-00	AIR SHROUD, CYLINDER 2CYLINDER 2	1	
5	98506-06016-00	SCREW, PANHEAD	4	
6	92906-06600-00	WASHER	4	
7	92906-06100-00	WASHER, SPRING	4	
8	97313-06016-00	BOLT, HEXAGON	6	
9	92995-06100-00	WASHER, SPRING	6	
10	90201-06059-00	WASHER, PLATE	6	

Property of www.SmallEngineDiscount.com - Not for Resale

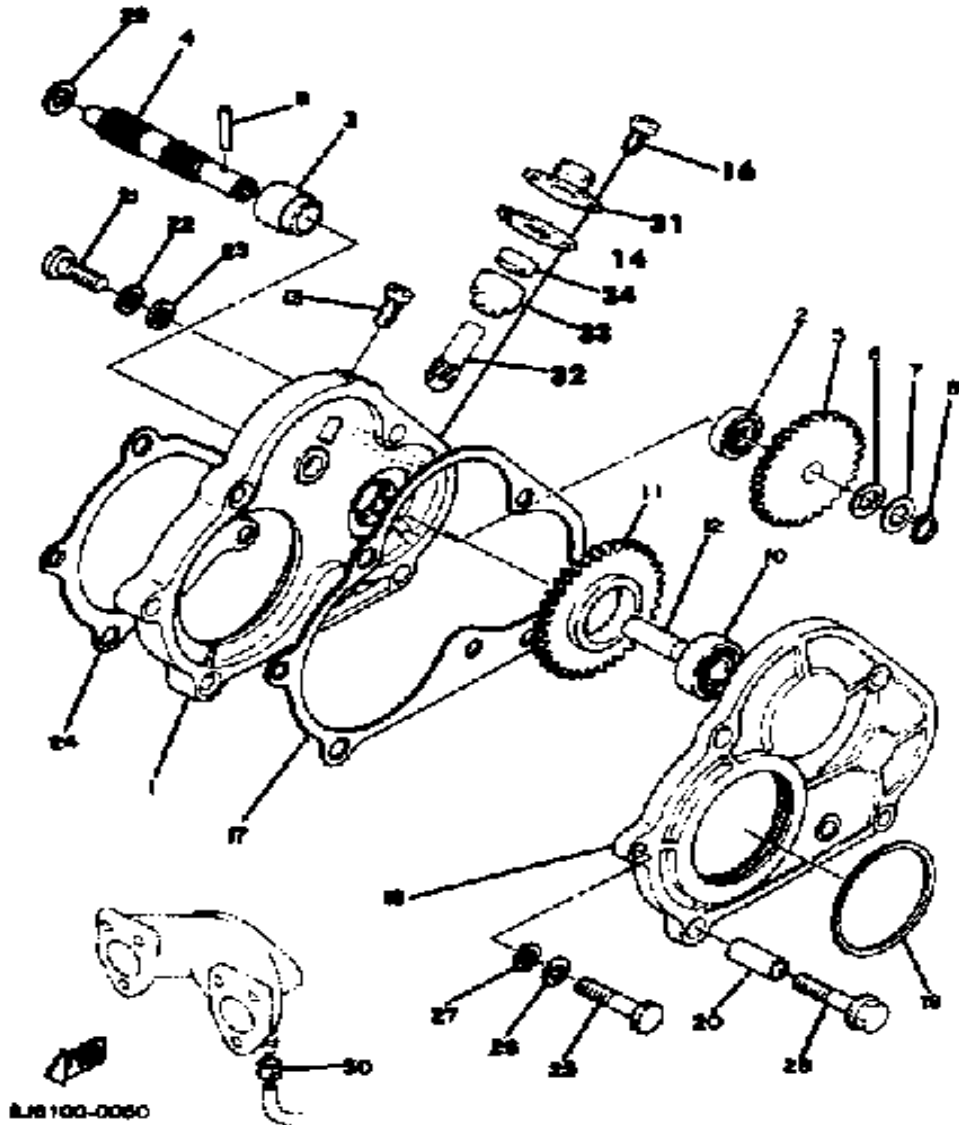
OIL PUMP

Ref. No.	Part Number	Description	Qty	Remarks
1	8W8-13101-00-00	OIL PUMP ASSEMBLY	1	
2	137-13137-00-03	. SHIM (0.3T)	1	U.R.
	137-13137-00-05	. SHIM (0.5T)	1	U.R.
	137-13137-00-10	. SHIM (1.0T)	1	U.R.
3	137-13138-01-00	. PLATE, ADJUSTING	1	
4	92990-05100-00	. WASHER, SPRING	1	
5	95380-05600-00	. NUT	1	
6	90338-21100-00	. PLUG	1	
7	98901-04008-00	. SCREW, BIND	1	
8	90430-04004-00	. GASKET	1	
9	93505-32002-00	. BALL	2	
10	90501-02018-00	SPRING, COMPRESSION	2	
11	353-13552-01-00	. NOZZLE	2	
12	90446-08208-00	. HOSE	1	
13	90446-08209-00	. HOSE	1	
14	90468-02025-00	. CLIP	2	
15	8A5-13146-01-00	COVER, ADJUST PULLEY	1	
16	98506-04018-00	SCREW, PAN HEAD	3	
17	8G8-26320-02-00	PUMP CABLE ASSEMBLY	1	
18	3MT-13116-00-00	GASKET, PUMP CASE (8Y0-13116-00)	1	
19	98580-05014-00	SCREW, PAN HEAD	2	



Property of www.SmallEngineDiscount.com - Not for Resale

PUMP DRIVE - GEAR

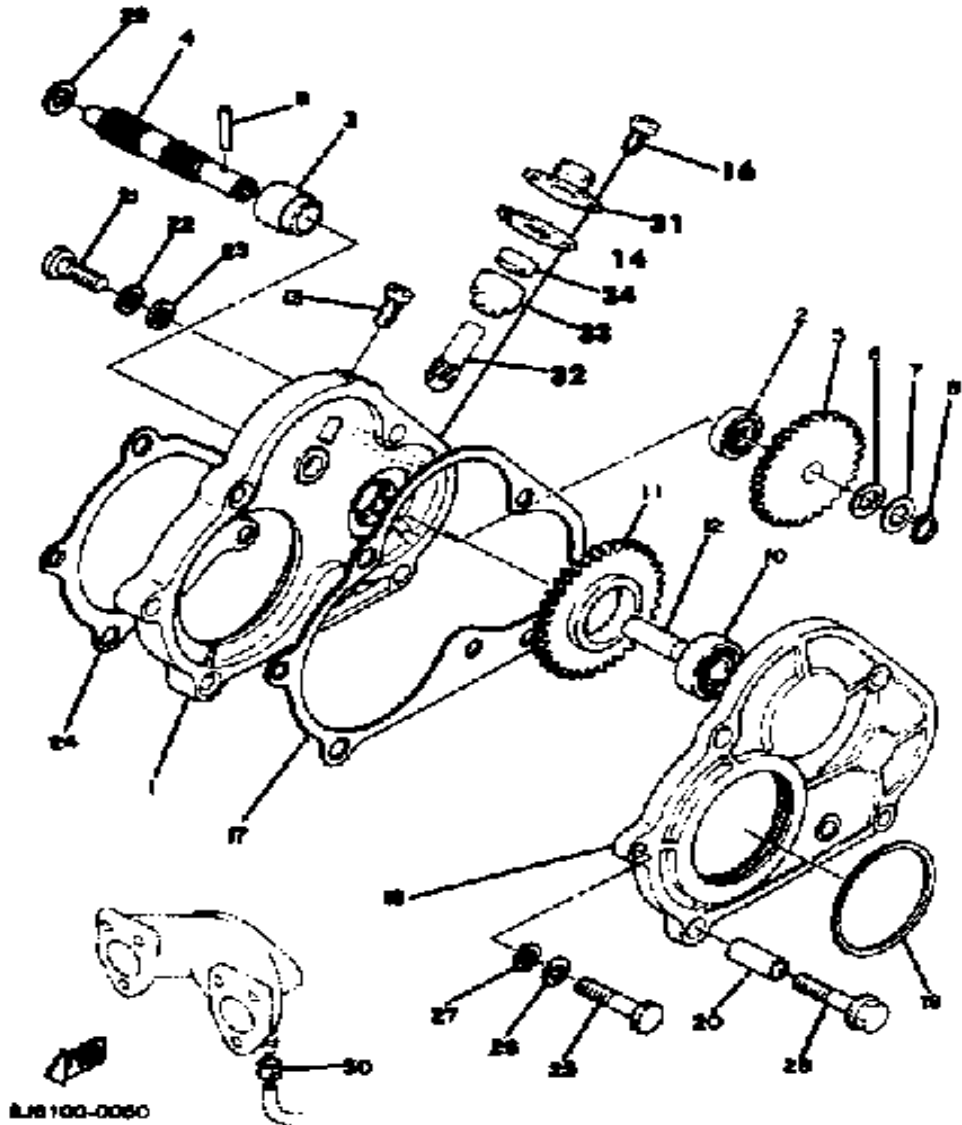


Ref. No.	Part Number	Description	Qty	Remarks
1	8G8-15416-00-00	COVER, OIL PUMP	1	
2	93101-10090-00	OIL SEAL	1	
3	821-13176-00-00	METAL, WORM SHAFT OUTER	1	
4	821-13175-00-00	SHAFT, WORM	1	
5	821-13188-00-00	GEAR, DRIVE (32T)	1	
6	90206-11016-00	WASHER, WAVE	1	
7	137-13148-00-00	PLATE, CAM THRUST	1	
8	99009-10400-00	CIRCLIP	1	
9	93603-22028-00	PIN, DOWEL	1	
10	93306-00002-00	BEARING (B6000RS)	1	
11	8G8-13342-00-00	SHAFT, IDLE GEAR	1	
12	8G8-13342-00-00	SHAFT, IDLE GEAR	1	
13	98580-06012-00	SCREW, PAN HEAD	1	
14	821-17818-02-00	GASKET	1	
15	824-17819-00-00	CAP, HOUSING	1	
16	98580-05010-00	SCREW, PAN HEAD	2	
17	8G8-15466-01-00	GASKET 2	1	
18	8G8-15426-00-00	COVER, OIL PUMP R	1	
19	93112-53004-00	OIL SEAL, SR-TYPE	1	
20	91810-18025-00	PIN, DOWEL	2	
21	98580-06020-00	SCREW	2	
22	92901-06600-00	WASHER	2	
23	92995-06100-00	WASHER, SPRING	2	
24	8G8-15456-01-00	GASKET, O/P P CVR 1	1	
25	97021-06030-00	BOLT	2	
26	92995-06100-00	WASHER, SPRING	2	
27	92901-06600-00	WASHER	2	
28	95811-06035-00	BOLT, FLANGE	2	
29	90201-08624-00	WASHER, PLATE	1	

CONTINUED ON NEXT FRAME ➤

Property of www.SmallEngineDiscount.com - Not for Resale

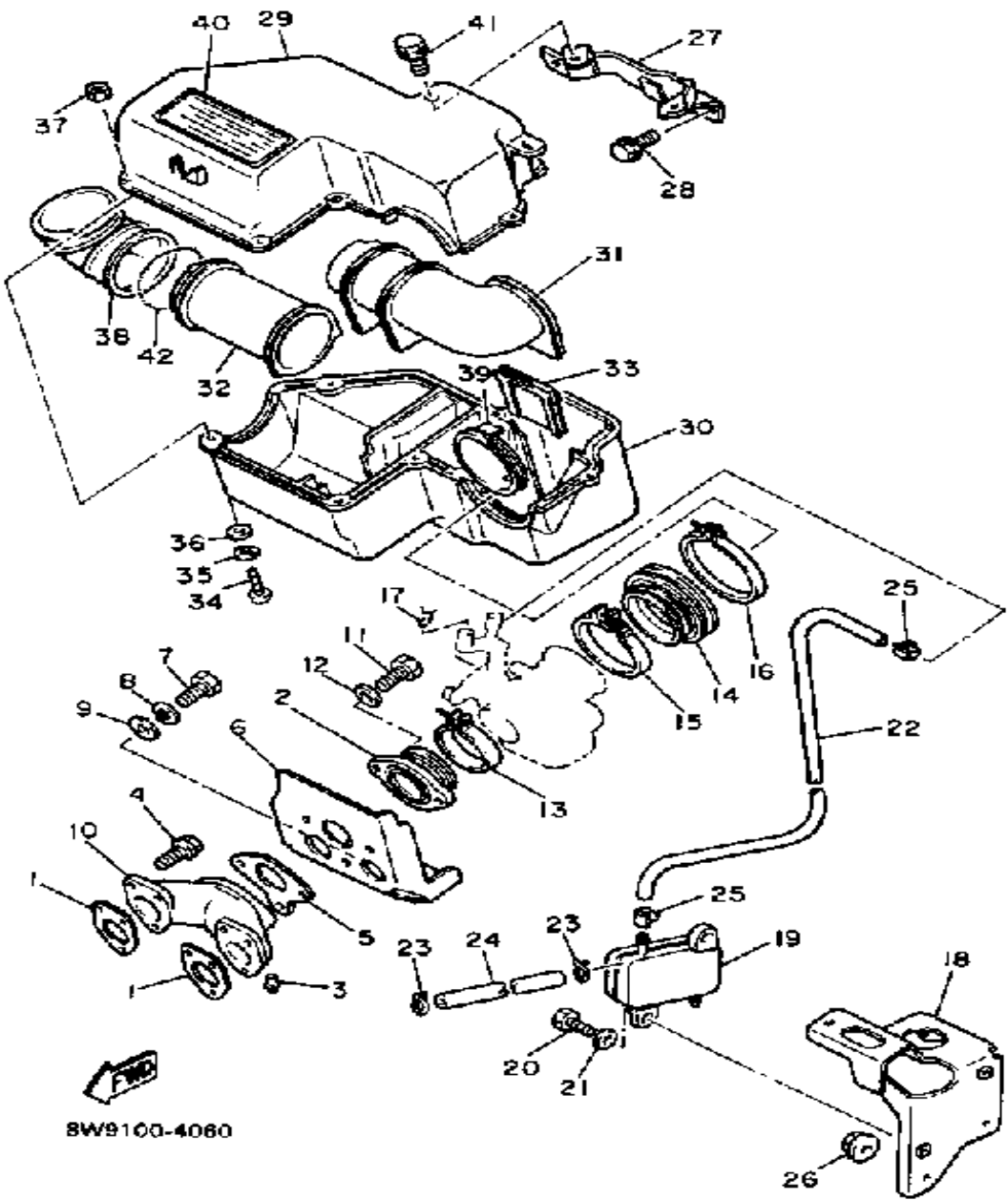
PUMP DRIVE - GEAR



Ref. No.	Part Number	Description	Qty	Remarks
30	90468-02025-00	CLIP	2	
31	821-17819-00-00	CAP, HOUSING	1	
32	813-17841-00-00	GEAR, DRIVEN (10T)	1	
33	821-17843-00-00	BUSH, DRIVEN GEAR OUTER .	1	
34	93104-06033-00	OIL SEAL	1	

Property of www.SmallEngineDiscount.com - Not for Resale

INTAKE



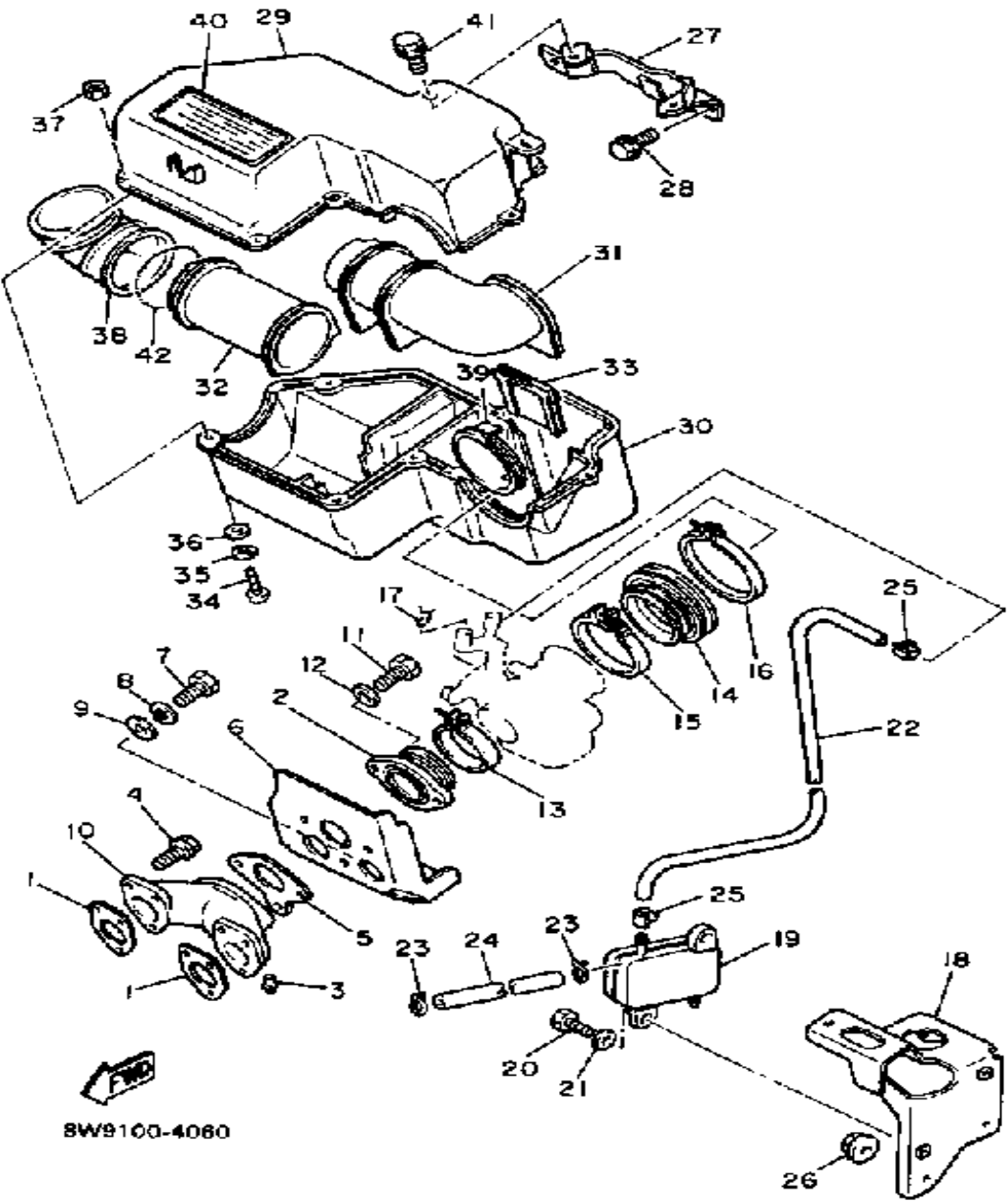
BW9100-4060

Ref. No.	Part Number	Description	Qty	Remarks
1	8Y2-13563-02-00	GASKET	2	
2	8G8-13565-00-00	JOINT, CARBURETOR	1	
3	824-13552-00-00	NOZZLE	2	
4	95811-06020-00	BOLT, FLANGE	6	
5	8Y2-13556-01-00	GASKET, MANIFOLD	1	
6	8H5-13567-00-00	GASKET	1	
7	97313-08012-00	BOLT	1	
8	92902-08100-00	WASHER, SPRING	1	
9	90209-08150-00	WASHER, SPEC'L SHAP (90209-08097)	1	
10	8G8-13555-01-00	MANIFOLD, INTAKE	1	
11	97001-08025-00	BOLT (1NV)	2	
12	92901-08600-00	WASHER	2	
13	86M-13575-00-00	BAND	1	
14	8G8-14453-01-00	JOINT, AIR CLNR 1	1	
15	90460-68230-00	CLAMP, HOSE	1	
16	90460-85277-00	CLAMP, HOSE	1	
17	822-41222-00-00	CLAMP, THROTTLE	1	
18	8G8-24491-00-00	BRACKET, FUEL PUMP	1	
19	8J6-24410-00-00	FUEL PUMP ASSEMBLY	1	
20	97001-06018-00	BOLT	2	
21	92901-06600-00	WASHER	2	
22	91A30-05024-00	TUBE, FLEXIBLE VINYL	1	
23	90467-09006-00	CLIP	2	
24	90445-10140-00	HOSE	1	
25	90467-09026-00	CLIP	2	
26	95701-06500-00	NUT, FLANGE	2	
27	8G8-14498-00-00	STAY 1	1	
28	95811-06010-00	BOLT, FLANGE	2	

CONTINUED ON NEXT FRAME ►

Property of www.SmallEngineDiscount.com - Not for Resale

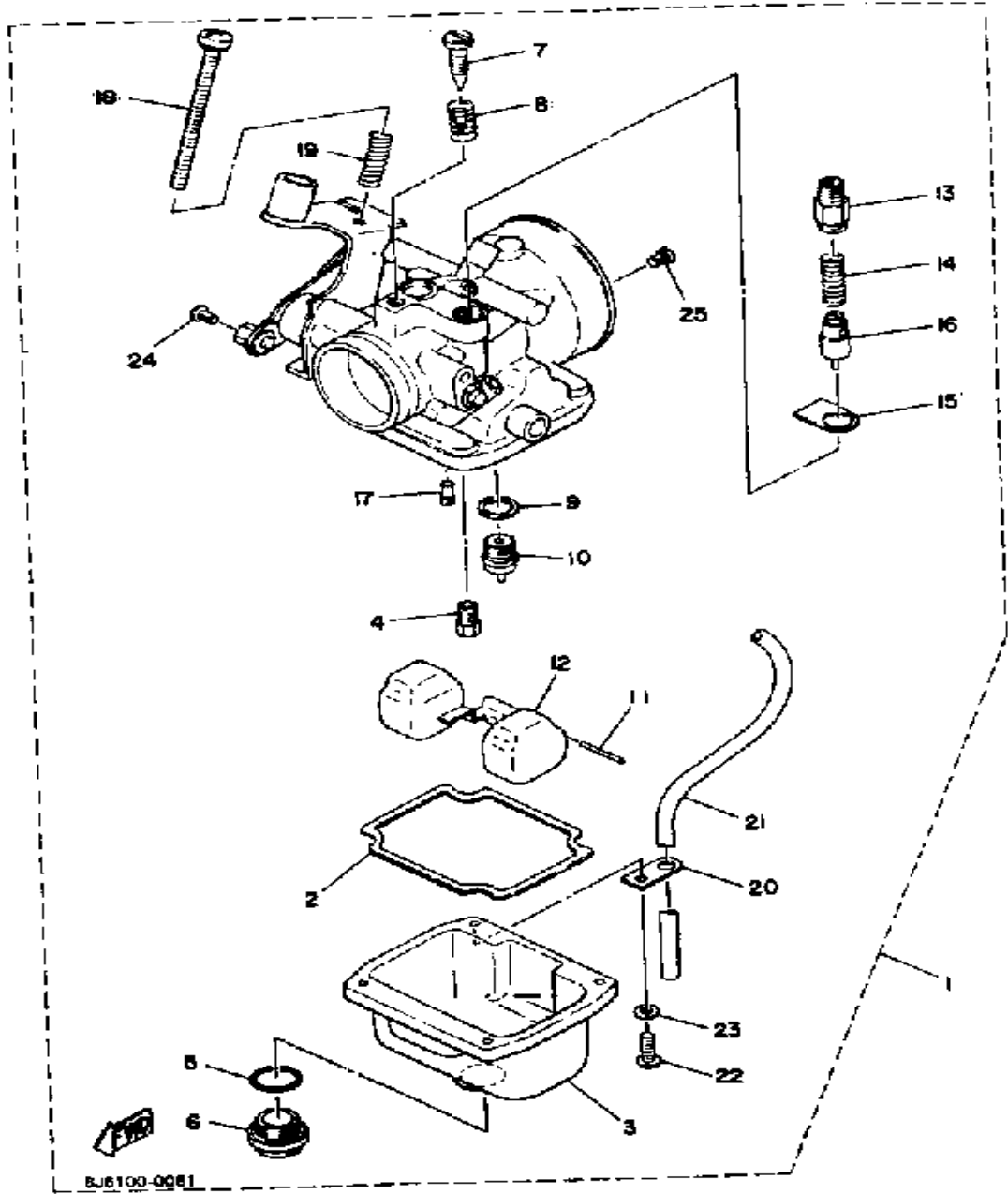
INTAKE



Ref. No.	Part Number	Description	Qty	Remarks
29	8G8-14431-00-00	SILENCER, INTAKE 1	1	
30	8G8-14441-00-00	SILENCER, INTAKE 2	1	
31	8G8-14419-00-00	PIPE	1	
32	8G8-14465-00-00	PIPE	1	
33	8G8-14477-00-00	PLATE	1	
34	98580-05020-00	SCREW, PAN HEAD	6	
35	92901-05600-00	WASHER, PLATE	6	
36	92990-05100-00	WASHER, SPRING	6	
37	95380-05600-00	NUT	6	
38	8N5-14423-00-00	PIPE, SUCTION 1	1	
39	8G8-14466-01-00	PIPE	1	
40	8A5-14488-00-00	LABEL, CAUTION	1	
41	95821-06014-00	BOLT, FLANGE	3	
42	90506-06083-00	SPRING, TENSION	1	

Property of www.SmallEngineDiscount.com - Not for Resale

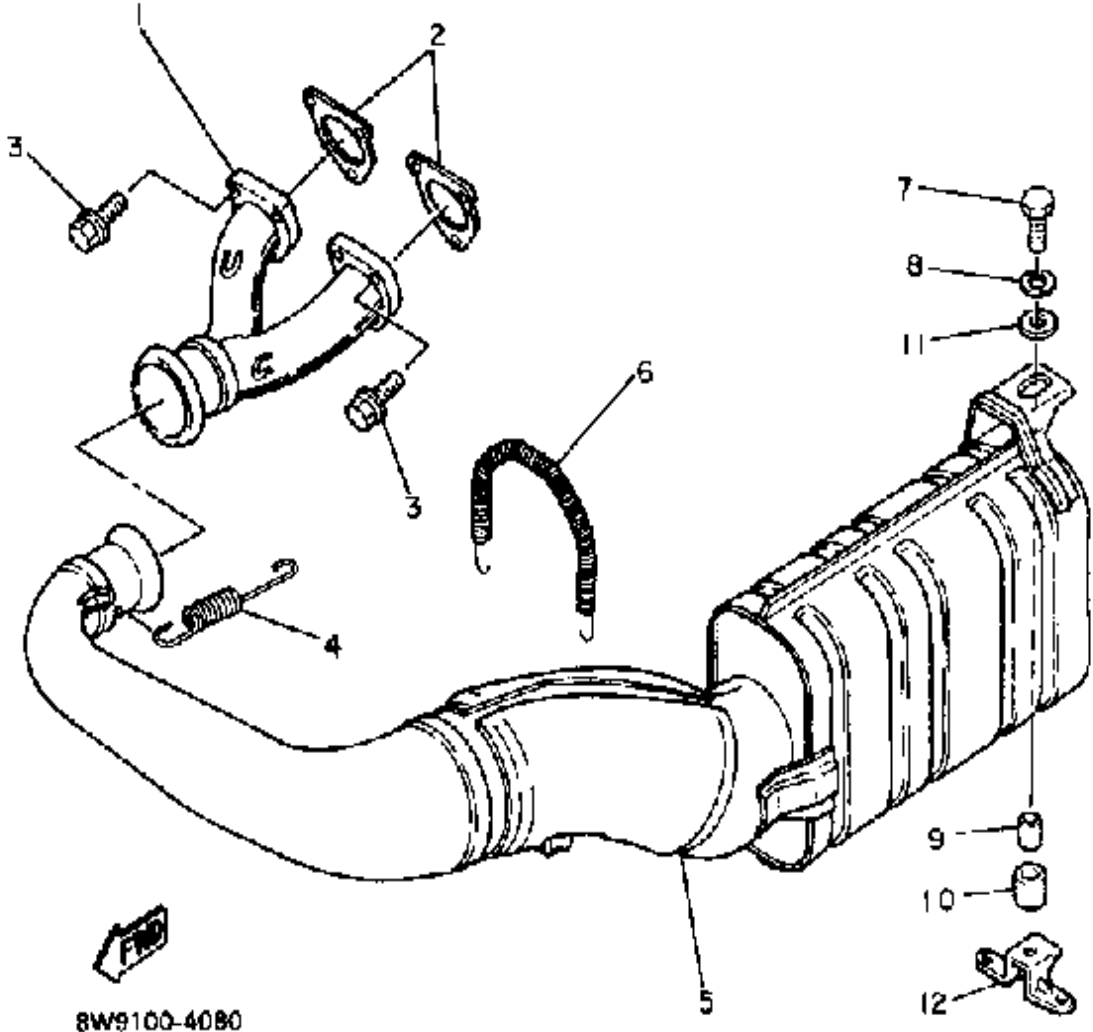
CARBURETOR



Ref. No.	Part Number	Description	Qty	Remarks
1	8J6-14101-00-00	CARBURETOR ASSEMBLY 1	1	
2	8G8-14184-00-00	. GASKET, FLOAT CHMBR	1	
3	(8H5-14181-00-00)	BODY, FLOAT CHMBR 1	1	
4	137-14138-48-00	. UNAVAILABLE IN PRICE BOOK	1	U.R. STD
	137-14143-40-A1	. JET, MAIN #2 0	1	U.R.
	137-14143-42-A1	. JET, MAIN #2 0	1	U.R.
	137-14143-44-A1	. JET, MAIN #2 0	1	U.R.
5	558-14147-00-00	. O-RING	1	
6	500-14115-00-00	. PLUG, SCREW	1	
7	8G8-14123-00-00	. SCREW, AIR ADJUSTING	1	
8	137-14134-00-00	. SPRING, AIR ADJUSTING	1	
9	239-14195-00-00	. WASHER, NEEDLE VALVE	1	
10	8H5-14190-15-00	. NEEDLE VALVE ASSEMBLY	1	
11	537-14186-00-00	. PIN, FLOAT	1	
12	8H5-14185-00-00	. FLOAT	1	
13	8G8-14174-00-00	. CAP, PLUNGER	1	
14	127-14135-00-00	. SPRING, PLUNGER	1	
15	8G8-14178-00-00	. PLATE, STARTER LVR	1	
16	8G8-14171-00-00	. PLUNGER, STARTER	1	
17	193-14142-75-00	. JET, PILOT (# 75)	1	
18	98580-05550-00	. SCREW, PAN HEAD	1	
19	(849-14134-00-00)	SPRING, AIR ADJUSTING	1	
20	313-14146-00-00	. PLATE	1	
21	8G8-14196-00-00	. PIPE, OVERFLOW	1	
22	98580-05016-00	. SCREW, PAN HEAD	4	
23	92990-05100-00	. WASHER, SPRING	4	
24	98580-04008-00	. SCREW, PAN HEAD	1	
25	239-14172-10-00	. PILOT JET, AIR (1.0)	1	

Property of www.SmallEngineDiscount.com - Not for Resale

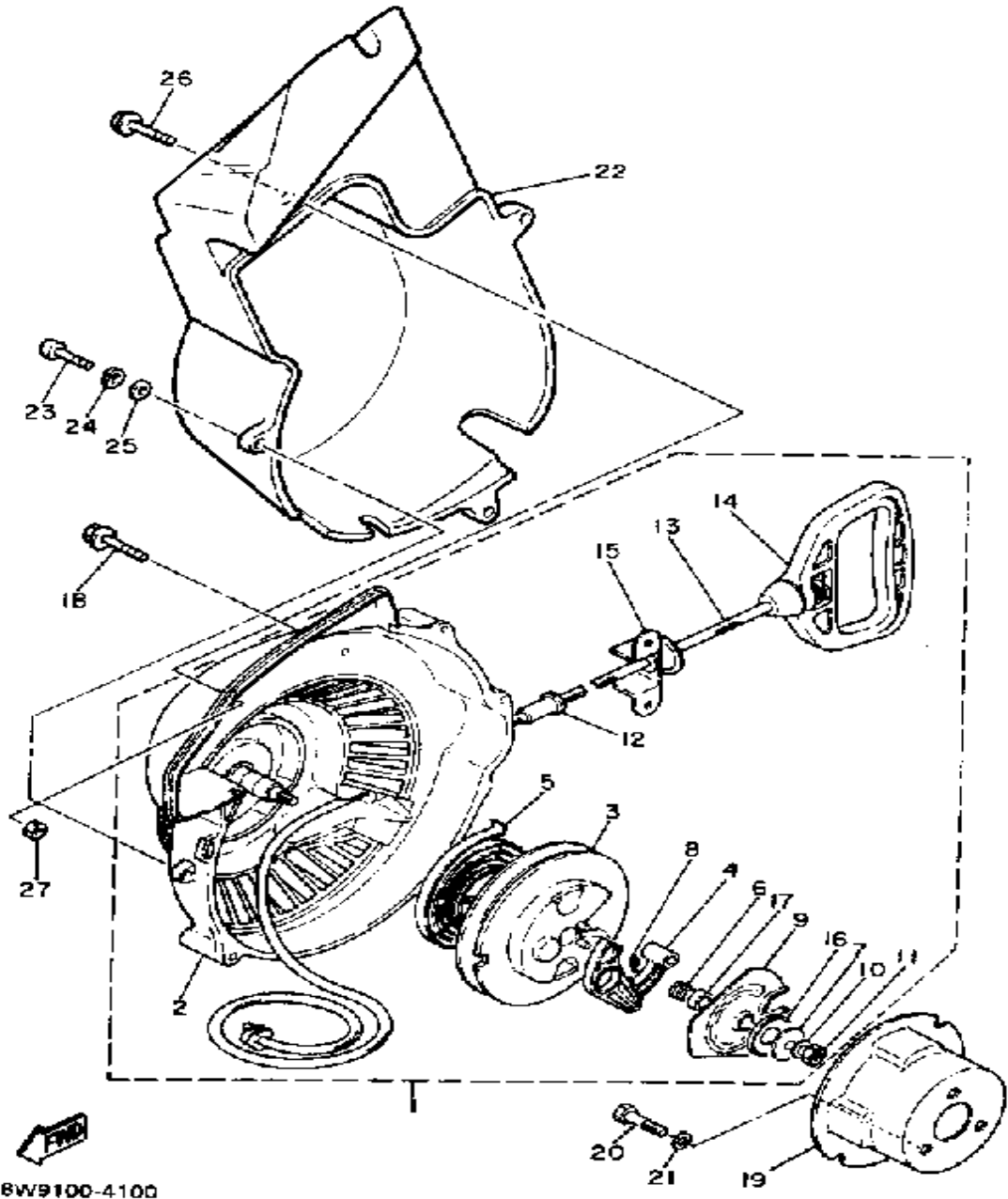
EXHAUST



Ref. No.	Part Number	Description	Qty	Remarks
1	8G8-14610-00-00	EXHAUST PIPE ASSEMBLY 1	1	
2	8G8-14613-01-00	GASKET, EXHAUST PIPE	2	
3	95811-06020-00	BOLT, FLANGE	6	
4	90506-20272-00	SPRING, TENSION	2	
5	8M8-14710-00-00	MUFFLER ASSEMBLY L	1	
6	90506-16130-00	SPRING, TENSION	1	
7	97313-08030-00	BOLT, HEXAGON	1	
8	92902-08100-00	WASHER, SPRING	1	
9	90387-08778-00	COLLAR	1	
10	8G8-14747-00-00	DAMPER, MUFFLER	1	
11	90201-08753-00	WASHER, PLATE	1	
12	8W6-14771-01-00	STAY, MUFFLER 1	1	

Property of www.SmallEngineDiscount.com - Not for Resale

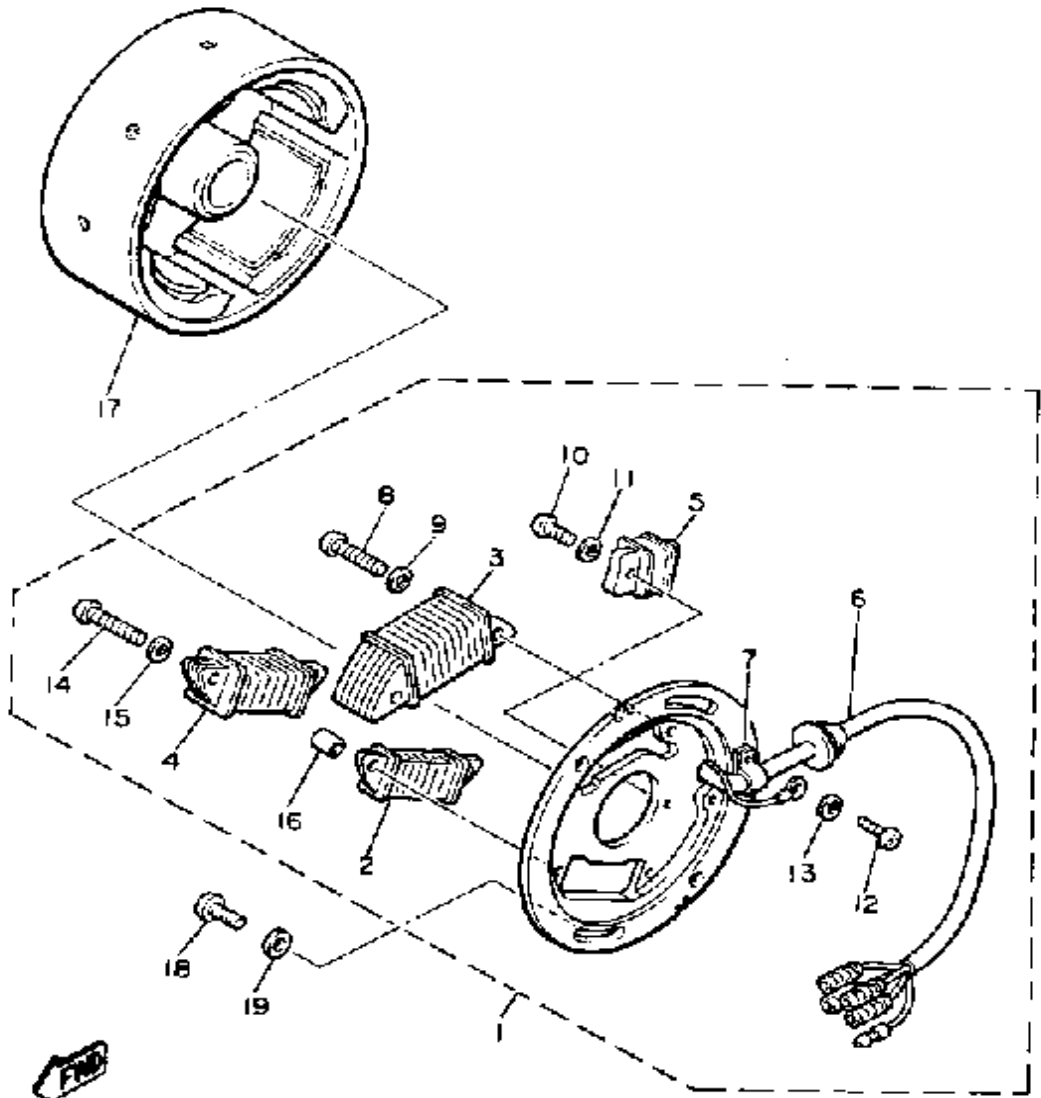
STARTER



Ref. No.	Part Number	Description	Qty	Remarks
1	8G8-15710-01-00	STARTER ASSEMBLY	1	
2	8G8-15711-01-00	. CASE, STARTER	1	
3	8F3-15714-01-00	. DRUM, SHEAVE	1	
4	8F3-15741-01-00	. PAWL, DRIVE	1	
5	8F3-15741-01-00	. PAWL, DRIVE	1	
6	8F3-15715-00-00	. SPRING, FRICTION	1	
7	8F3-15739-01-00	. WASHER, THRUST	1	
8	8F3-15734-00-00	. SPRING, RETURN	1	
9	8F3-15716-03-00	. PLATE, DRIVE	1	
10	92995-06100-00	. WASHER, SPRING	1	
11	95380-06700-00	. NUT	1	
12	8F3-15758-00-00	. GUIDE, ROPE	1	
13	857-15751-00-00	. WIRE, STARTER	1	
14	8F3-15755-00-00	. HANDLE, STARTER	1	
15	8F3-15788-01-00	. HOLDER, HANDLE	1	
16	8G5-15739-00-00	. WASHER, THRUST	1	
17	82M-15779-00-00	. COVER	1	
18	95811-06045-00	BOLT, flange (95812-06045-00)	5	
19	8G8-15723-00-00	PULLEY, STARTER	1	
20	97011-08016-00	BOLT	3	
21	92902-08100-00	WASHER, SPRING	3	
22	8W6-15779-00-00	COVER	1	
23	98516-06030-00	SCREW, PAN HEAD	3	
24	92906-06100-00	WASHER, SPRING	3	
25	90201-062A8-00	WASHER, PLATE	3	
26	90159-06094-00	SCREW, WITH WASHER	1	
27	90179-06447-00	NUT	1	

Property of www.SmallEngineDiscount.com - Not for Resale

GENERATOR

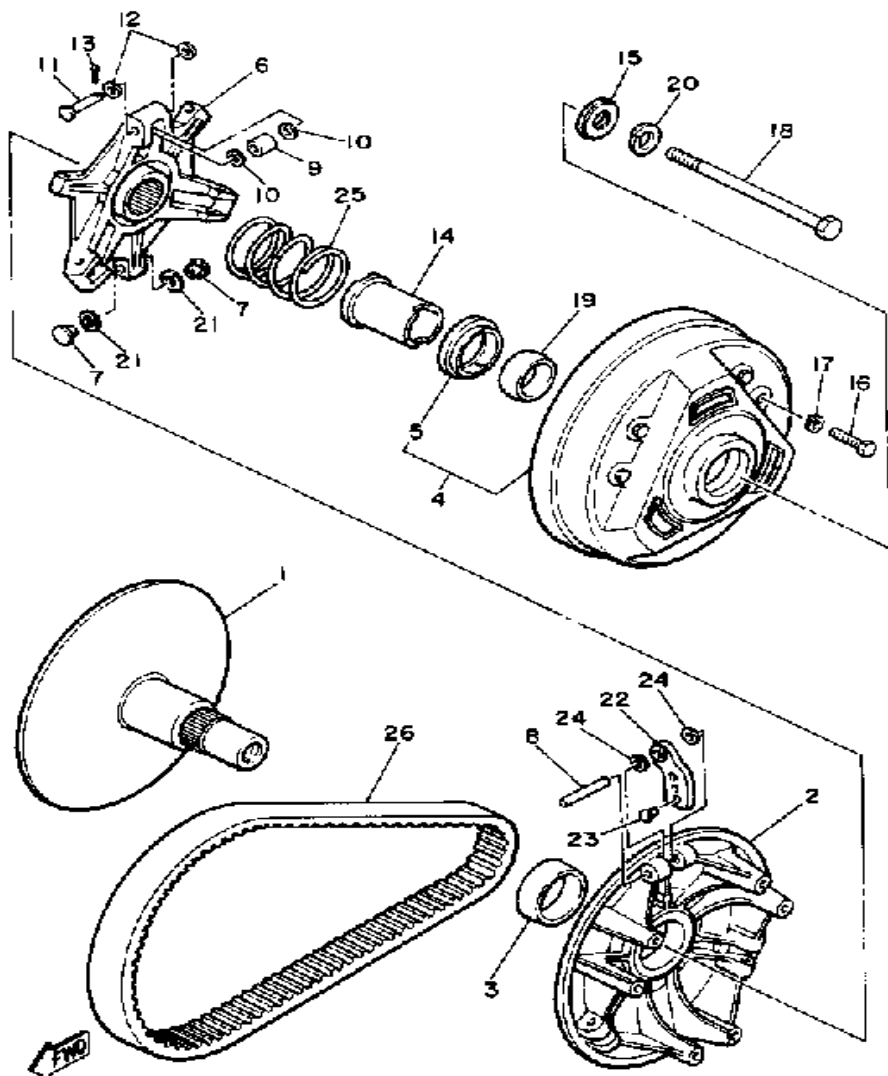


Ref. No.	Part Number	Description	Qty	Remarks
1	8W6-85510-20-00	STATOR ASSEMBLY	1	
2	86M-85511-00-00	. COIL, SOURCE	1	
3	8G8-85513-20-00	. COIL, LIGHTING 1	1	
4	82M-85514-20-00	. COIL, LIGHTING 2	1	
5	82M-85580-20-00	. COIL, PULSER	1	
6	8W0-85515-20-00	. LEAD WIRE ASSEMBLY (8V0-85515-20)	1	
7	445-81328-20-00	. CLAMP	1	
8	98501-05035-00	. SCREW, PAN HEAD	2	
9	92990-05100-00	. WASHER, SPRING	2	
10	98506-04018-00	. SCREW, PAN HEAD	2	
11	92901-04100-00	. WASHER, SPRING	2	
12	98580-04008-00	. SCREW, PAN HEAD	2	
13	92901-04100-00	. WASHER, SPRING	1	
14	98501-05040-00	. SCREW, PAN HEAD (98502-05040)	2	
15	92990-05100-00	. WASHER, SPRING	2	
16	8T0-85519-20-00	. SPACER	2	
17	8J6-85550-20-00	ROTOR ASSEMBLY	1	
18	98980-06016-00	SCREW, BINDING	2	
19	90201-06043-00	WASHER, PLATE	2	

BW9100-4320

Property of www.SmallEngineDiscount.com - Not for Resale

PRIMARY SHEAVE



8M2300-1120

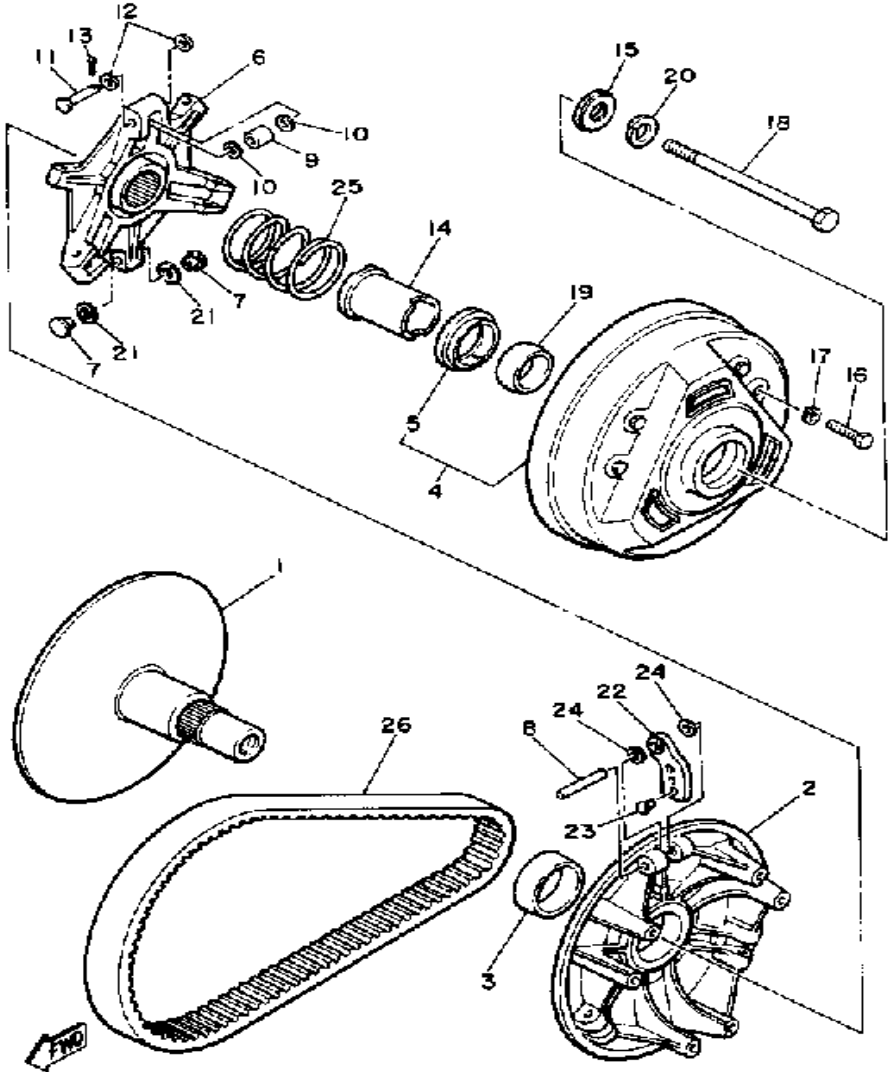
Engagement rpm / Shift rpm	3000 ± 100 rpm / 6600 ± 100 rpm
Belt Length / Width / Wear Limit / IBM Number	1099mm / 31.6mm / 26mm / 820
Sheave Center-to-center / Offset	266 ± 2mm / 11 ± 1mm
Primary Spring Color / Length / Rate / Preload	Red / 79.4mm / 1.4 ± 0.1kg/mm / 25kg

Ref. No.	Part Number	Description	Qty	Remarks
1	8H8-W1761-00-00	PRI. FIXED SHEAVE	1	
2	8E7-17644-02-00	. SEAT, SPRING	1	
3	90389-41018-00	BUSH, SPEC'L SHAPE	1	
4	8E7-W1762-00-00	PRI. SHEAVE CAP	1	
5	8E7-17644-02-00	. SEAT, SPRING	1	
6	8A7-17627-00-00	SPIDER	1	
7	8F2-17653-00-00	SLIDER	6	
8	93607-44120-00	PIN, DOWEL	3	
9	90387-06560-00	COLLAR	3	
10	90202-06113-00	WASHER, PLATE	6	
11	90240-06062-00	PIN, CLEVIS	3	
12	92990-06200-00	WASHER	6	
13	91401-25020-00	PIN, COTTER	3	
14	90387-28630-00	COLLAR	1	
15	8A7-17654-00-00	SPACER 1	1	
16	97313-06030-00	BOLT, HEXAGON	6	
17	92995-06100-00	WASHER, SPRING	6	
18	90101-13406-00	BOLT	1	
19	90389-34019-00	BUSH, SPEC'L SHAPE	1	
20	90204-13010-00	WASHER, SPRING	1	
21	90201-090A4-00	WASHER, PLATE	6	
22	8G8-17632-00-00	WEIGHT, CLUTCH	3	
23	90261-06017-00	RIVET, COUNTERSUNK (ST11.3MM)	3	
24	90201-07641-00	WASHER, PLATE	6	
25	90501-50500-00	SPRING, COMPRESSION	1	
26	(8G5-00000-50-00)	CLUTCH TUNE UP KIT	1	MARKED W/ +
	(8G8-17000-10-00)	CLUTCH WEIGHT KIT	1	MARKED W/ +
	820-17641-00-00	V-BELT	1	

CONTINUED ON NEXT FRAME ►

Property of www.SmallEngineDiscount.com - Not for Resale

PRIMARY SHEAVE



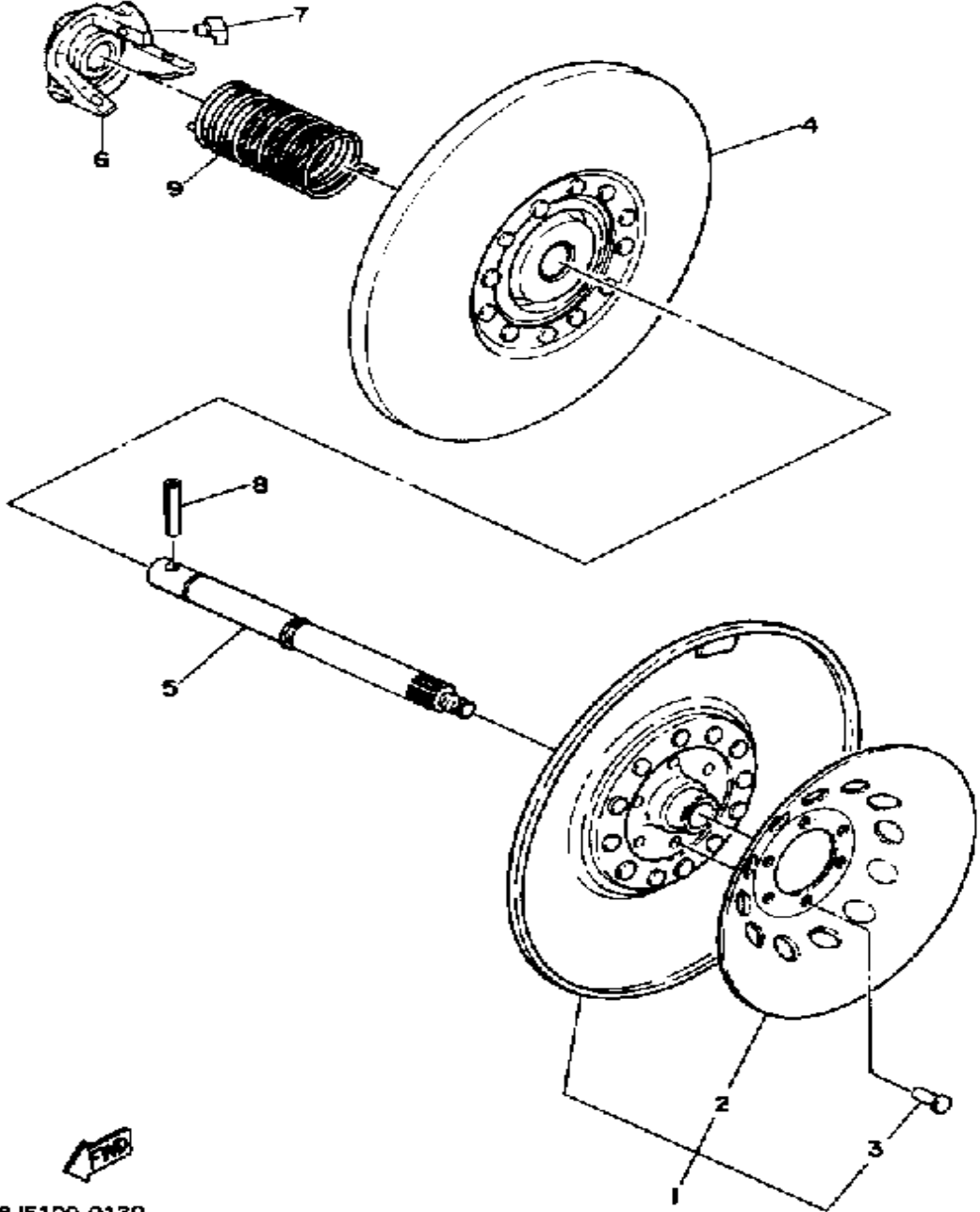
8M2300-1120

Ref. No.	Part Number	Description	Qty	Remarks
26	8G6-17601-09-00	PRIMARY SHEAVE ASSEMBLY	1	MARKED W/ +

DIETII - Engagement rpm / Shift rpm	3000 ± 100 rpm / 6600 ± 100 rpm
Belt Length / Width / Wear Limit / IBM Number	1099mm / 31.6mm / 26mm / 820
Sheave Center-to-center / Offset	266 ± 2mm / 11 ± 1mm
Primary Spring Color / Length / Rate / Preload	Red / 79.4mm / 1.4 ± 0.1kg/mm / 25kg

Property of www.SmallEngineDiscount.com - Not for Resale

SECONDARY SHEAVE

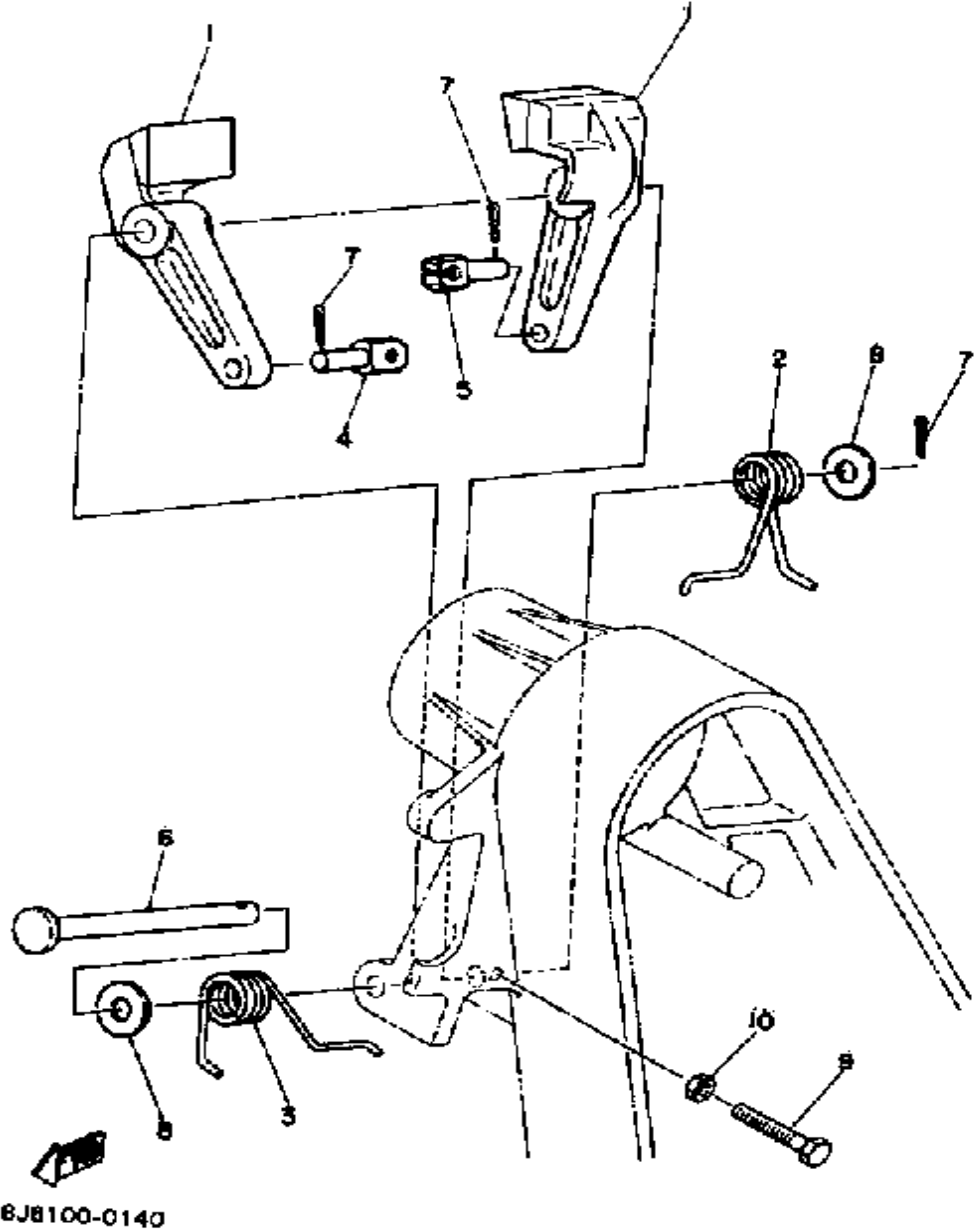


8J5100-0130

Ref. No.	Part Number	Description	Qty	Remarks
1	(8G8-17660-00-00)	SEC FXD SHV	1	
2	8F3-25711-00-00	. DISC, BRAKE	1	
3	90263-05023-00	. RIVET, FLAT HEAD	6	
4	85T-17670-00-00	SEC SLIDING SHEAVESHEAVE	1	
5	8G8-17681-01-00	SHAFT, SECONDARY	1	
6	810-17684-01-00	SEAT, SEC SPRINGSRING ..	1	
7	801-17688-10-00	SHOE, RAMP	3	
8	90254-08001-00	PIN, SPRING TYPE	1	
9	90508-40080-00	SPRING, TORSION	1	

Property of www.SmallEngineDiscount.com - Not for Resale

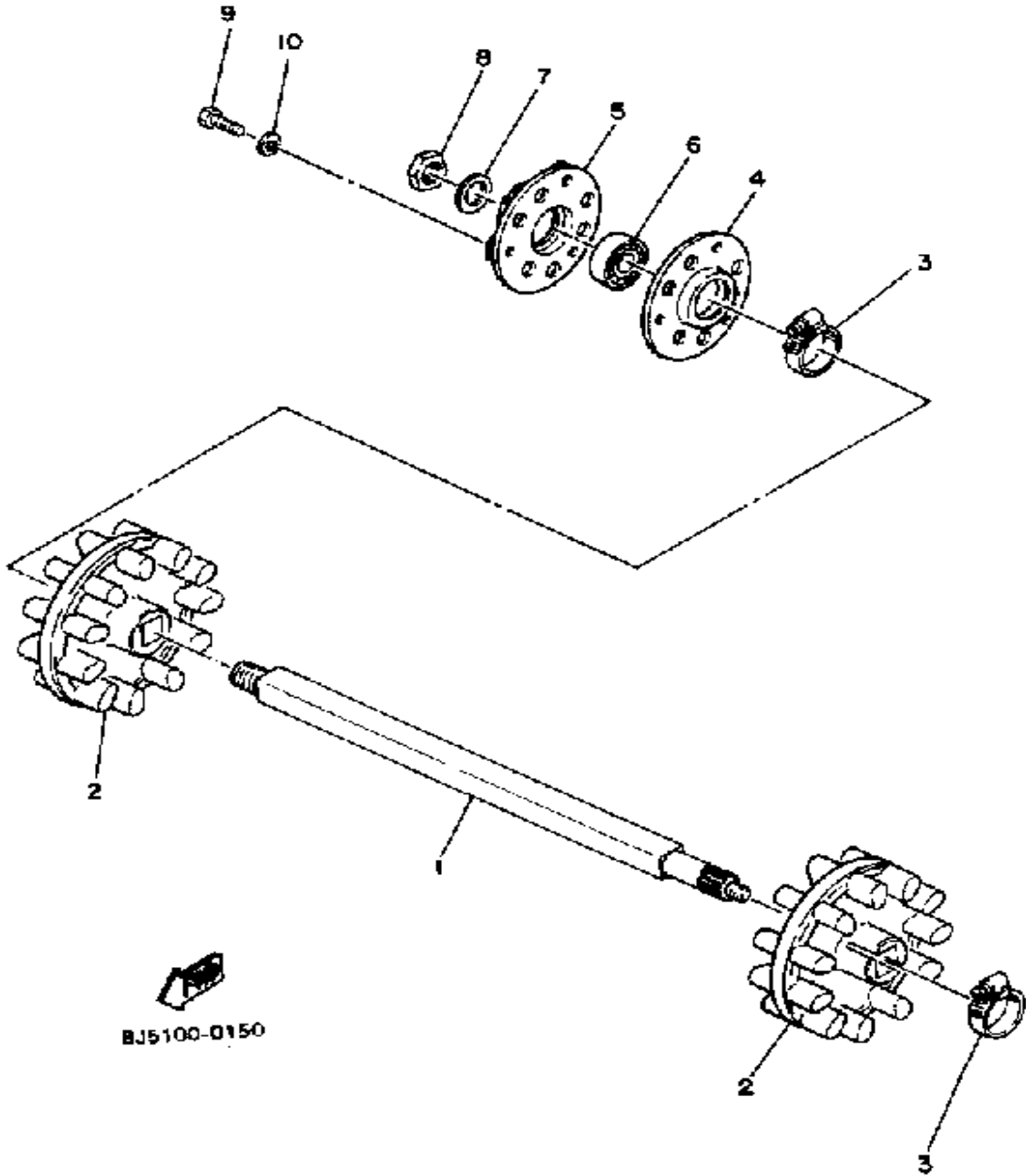
BRAKE



Ref. No.	Part Number	Description	Qty	Remarks
1	8F3-25730-00-00	CALIPER BODY 1COMP 1	2	
2	90508-26335-00	SPRING, TORSION	1	
3	90508-26336-00	SPRING, TORSION	1	
4	90249-06012-00	PIN	1	
5	90249-06009-00	PIN	1	
6	90240-08023-00	PIN, CLEVIS	1	
7	91490-20020-00	PIN, COTTER	3	
8	92901-08600-00	WASHER	2	
9	90101-05355-00	BOLT	1	
10	95311-05700-00	NUT	1	

Property of www.SmallEngineDiscount.com - Not for Resale

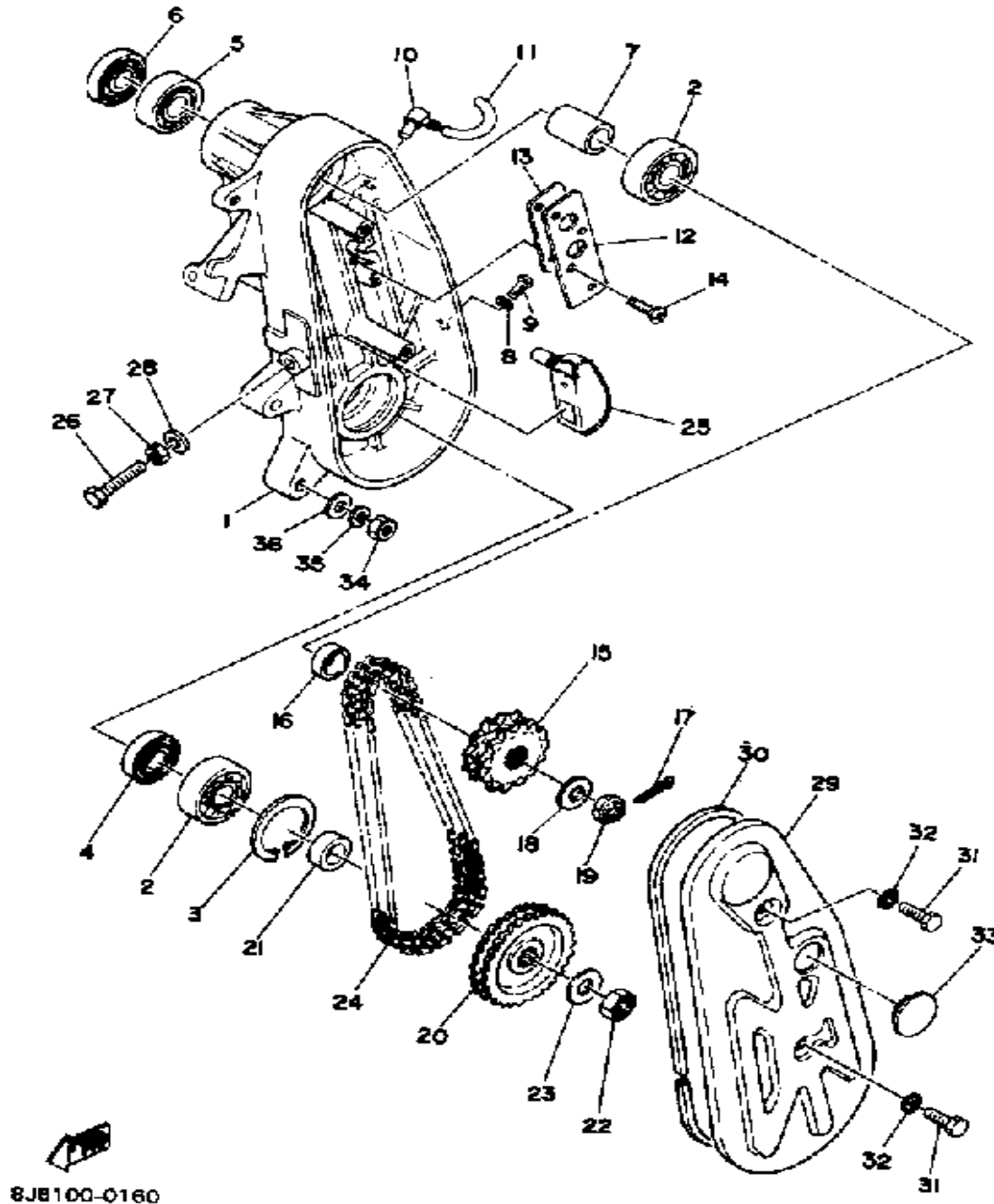
TRACK DRIVE 1



Ref. No.	Part Number	Description	Qty	Remarks
1	8W6-47511-00-00	AXLE, FRONT (8W6-W4751-00)	1	
2	8H9-47531-00-00	. WHEEL, SPROCKET 1	2	
3	90460-50079-00	. CLAMP, HOSE	2	
4	8F3-47551-00-00	HOUSING, FRONT AXLE	2	
5	8G5-47551-01-00	HOUSING, FRONT AXLE	1	
6	93306-00441-00	BEARING (89A) (B6004RS) ...	1	
7	90208-20008-00	WASHER, CONICAL SPRING ..	1	
8	90170-20211-00	NUT	1	
9	97313-08016-00	BOLT, HEXAGON	3	
10	92902-08100-00	WASHER, SPRING	3	

Property of www.SmallEngineDiscount.com - Not for Resale

TRACK DRIVE 2

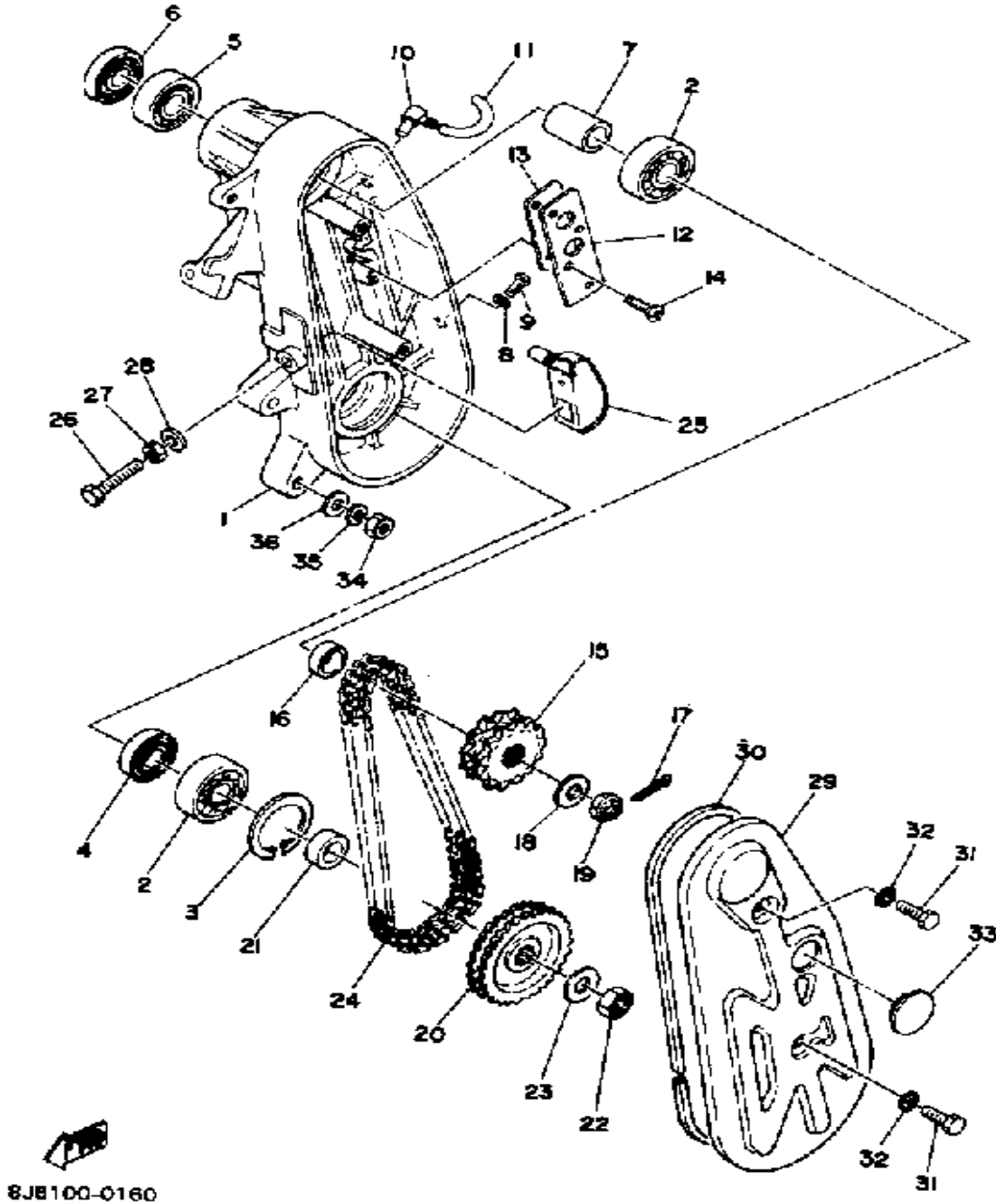


Ref. No.	Part Number	Description	Qty	Remarks
1	8F3-47541-00-00	HOUSING, CHAIN	1	
2	93306-30407-00	BEARING (B6304C3)	2	
3	99009-52500-00	CIRCLIP	1	
4	93102-20447-00	OIL SEAL	1	
5	93306-20458-00	BEARING	1	
6	93102-30083-00	SEAL, OIL	1	
7	90387-20580-00	COLLAR	1	
8	90430-06016-00	GASKET	1	
9	91311-06010-00	BOLT, SOCKET HEAD	1	
10	583-15371-00-00	BREATHER	1	
11	90445-09055-00	HOSE	1	
12	8G8-47591-00-00	PLATE	1	
13	85T-47592-00-00	GASKET	1	
14	98702-05014-00	SCREW, FLAT HEAD	4	
15	802-17682-40-00	SPRKT, CHAIN DR 13TCHAIN DRIVE (13T) (806-17682-30-0)	1	ALTERNATE PART
	806-17682-20-00	SPROCKET, CHAIN DRIVE (12T)	1	U.R. STD
	806-17682-40-00	SPROCKET, CHAIN DRIVE (14T)	1	ALTERNATE PART
16	90387-19649-00	COLLAR	1	
17	91401-25030-00	PIN, COTTER	1	
18	90201-122H1-00	WASHER, PLATE	1	
19	90185-12119-00	NUT, SELF-LOCKING	1	
20	8G8-47548-10-00	SPROCKET, CHN DRVN	1	ALTERNATE PART
	8G8-47548-20-00	SPROCKET, CHN DRVN	1	U.R. STD
	8G8-47548-30-00	SPROCKET, CHN DRVN	1	ALTERNATE PART
21	90387-20155-00	COLLAR	1	
22	95601-10100-00	NUT, U (95602-10100-00)	1	
23	90201-10437-00	WASHER, PLATE	1	

CONTINUED ON NEXT FRAME ►

Property of www.SmallEngineDiscount.com - Not for Resale

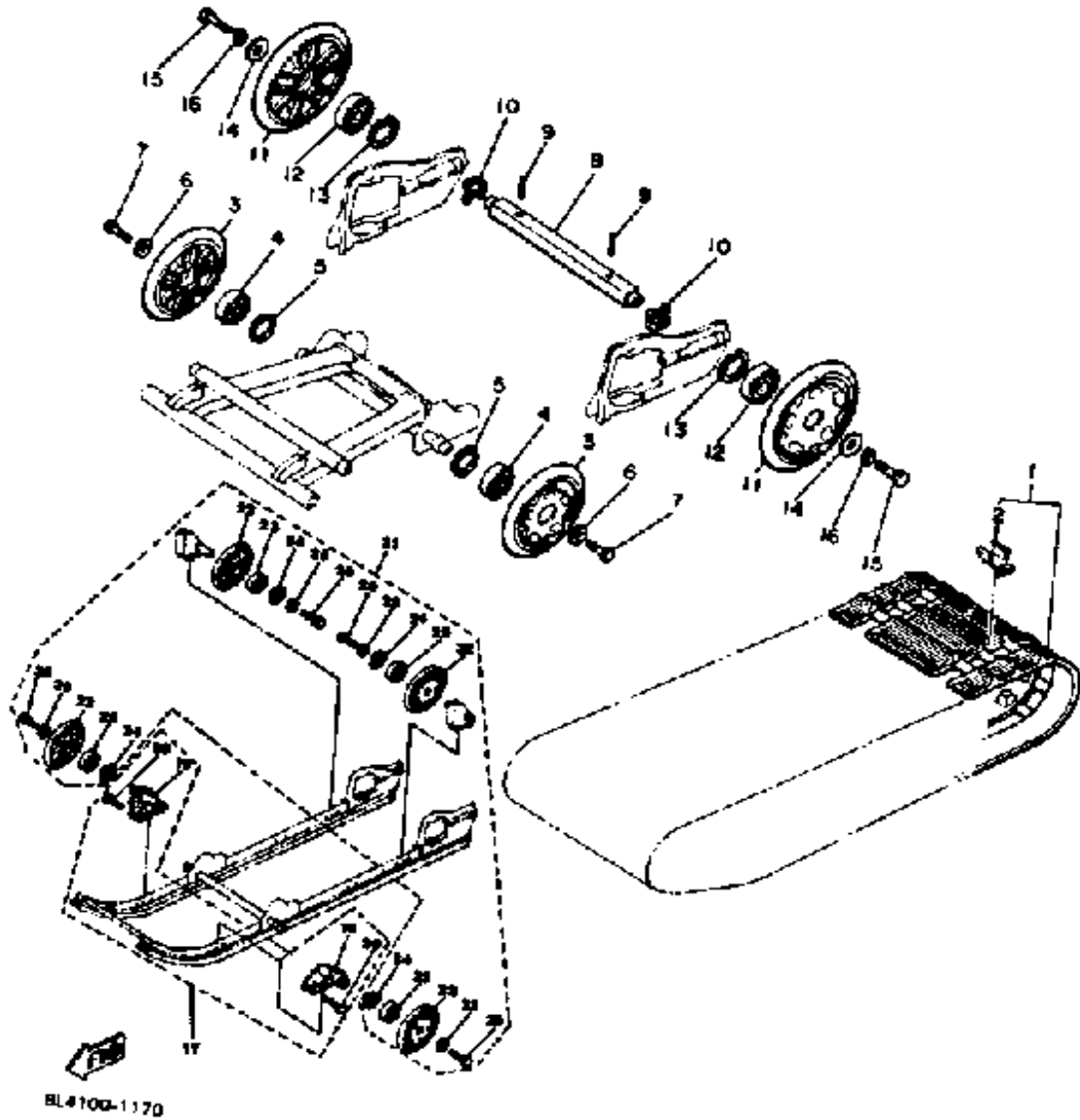
TRACK DRIVE 2



Ref. No.	Part Number	Description	Qty	Remarks
24	94880-01060-00	CHAIN 60L	1	
25	8G8-47611-00-00	TENSIONER	1	
26	90101-10357-00	BOLT	1	
27	95303-10700-00	NUT	1	
28	90210-10004-00	WASHER, SEAL	1	
29	8F3-47543-00-00	CAP, HOUSING	1	
30	8F3-47558-00-00	RING, HOUSING (97302-08020)	1	
31	97313-08020-00	BOLT, HEXAGON	2	
32	90210-08002-00	WASHER, SEAL	2	
33	148-22315-00-00	CAP	1	
34	95333-08600-00	NUT	4	
35	92902-08100-00	WASHER, SPRING	4	
36	92990-08200-00	WASHER, PLAIN	4	

Property of www.SmallEngineDiscount.com - Not for Resale

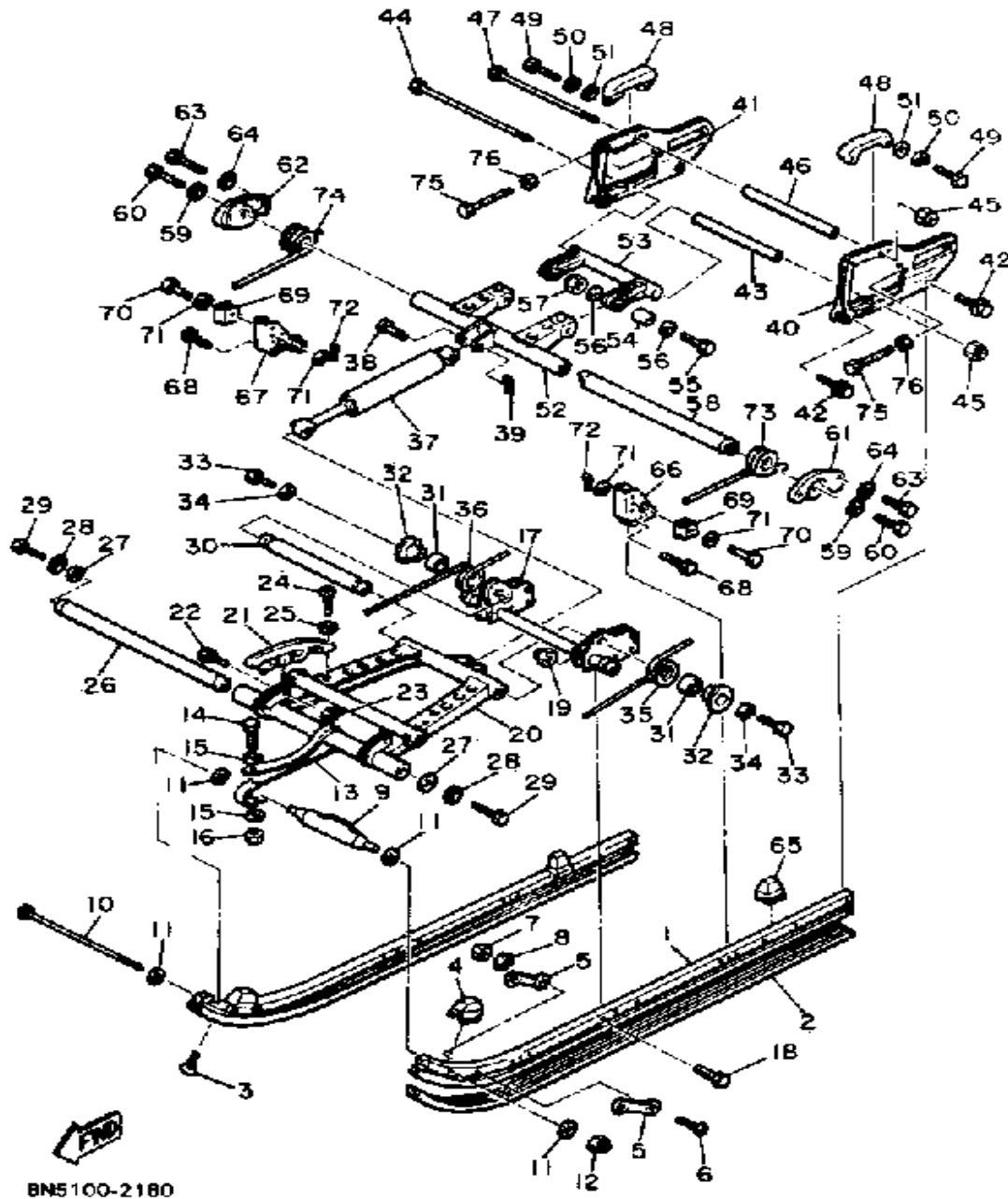
TRACK SUSPENSION 1



Ref. No.	Part Number	Description	Qty	Remarks
1	8J6-47110-01-00	TRACK ASSEMBLY (8J6-47110-01-00)	1	
2	8A5-47115-00-00	. METAL, SLIDE	66	
3	87M-47320-00-00	SUSPENSION WHEEL COMP.	2	
4	93306-00441-00	BEARING (89A) (B6004RS)	2	
5	99009-42500-00	CIRCLIP	2	
6	90201-08681-00	WASHER, PLATE	2	
7	90109-08559-00	BOLT	2	
8	8E3-47521-00-00	AXLE, REAR	1	
9	91609-40040-00	PIN, SPRING	2	
10	8E3-47384-00-00	WASHER	2	
11	8L4-47530-00-00	GUIDE WHEEL COMP.	2	
12	93306-20417-00	BEARING (B62042RS)	2	
13	99009-47500-00	CIRCLIP	2	
14	90201-083A8-00	WASHER, PLATE	2	
15	97313-08020-00	BOLT, HEXAGON	2	
16	92990-08100-00	WASHER	2	
17	8N5-47000-10-00	BRACKET KIT (FRT) (ONLY)	1	FRONT ONLY
18	8L4-47418-00-00	. BRACKET 4	1	
19	8L4-47419-00-00	. BRACKET 7	1	
20	90101-06348-00	. BOLT	6	
21	8N5-47000-00-00	SUS.WHEEL KIT	1	FRONT/REAR
22	87M-47320-00-00	. SUSPENSION WHEEL COMP.	4	
23	93306-00441-00	. BEARING (89A) (B6004RS)	4	
24	99009-42500-00	. CIRCLIP	4	
25	90201-08681-00	. WASHER, PLATE	4	
26	90109-08559-00	. BOLT	4	

Property of www.SmallEngineDiscount.com - Not for Resale

TRACK SUSPENSION 2

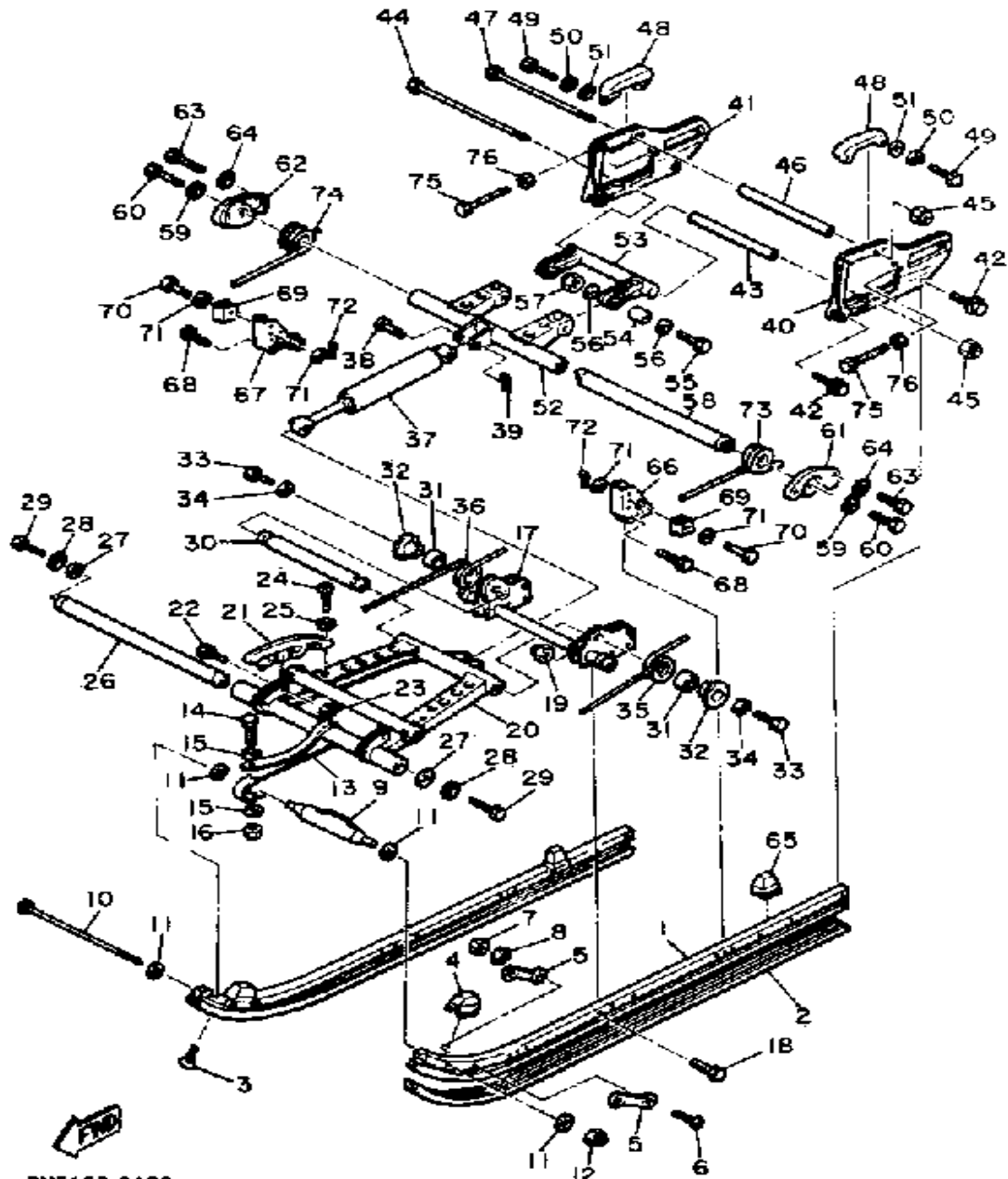


Ref. No.	Part Number	Description	Qty	Remarks
1	(8G8-47411-00-00)	FRAME, SLIDING 1	2	
2	8N5-47421-00-XX	RUNNER, SLIDING 1 (8E7-47421-10)	2	
3	90151-06010-00	SCREW, COUNTERSUNK	2	
4	888-47456-01-00	DAMPER 1	2	
5	885-47458-01-00	PLATE, DAMPER	4	
6	98501-05030-00	SCREW, PAN HEAD	4	
7	95380-05600-00	NUT	4	
8	92990-05100-00	WASHER, SPRING	4	
9	899-47415-00-00	BRACKET 1	1	
10	90101-08374-00	BOLT	1	
11	92901-08600-00	WASHER	4	
12	95712-08300-00	NUT, LOCK	1	
13	888-47495-02-00	STOPPER 1	1	
14	97013-06035-00	BOLT	1	
15	90201-06407-00	WASHER, PLATE (90201-06747-00)	2	
16	95701-06300-00	NUT, NYLON	1	
17	8L4-47416-00-00	BRACKET 2	1	
18	90101-06348-00	BOLT	6	
19	95701-06300-00	NUT, NYLON	6	
20	8X0-47331-00-00	ARM, PIVOT 1	1	
21	8G8-47422-00-00	RUNNER, SLIDING 2	2	
22	97011-06025-00	BOLT (97001-06025)	4	
23	95701-06300-00	NUT, NYLON	4	
24	98580-06020-00	SCREW	2	
25	92901-06600-00	WASHER	2	
26	8A5-47465-02-00	SHAFT 1	1	
27	885-47341-00-00	SPACER	2	

CONTINUED ON NEXT FRAME ►

Property of www.SmallEngineDiscount.com - Not for Resale

TRACK SUSPENSION 2



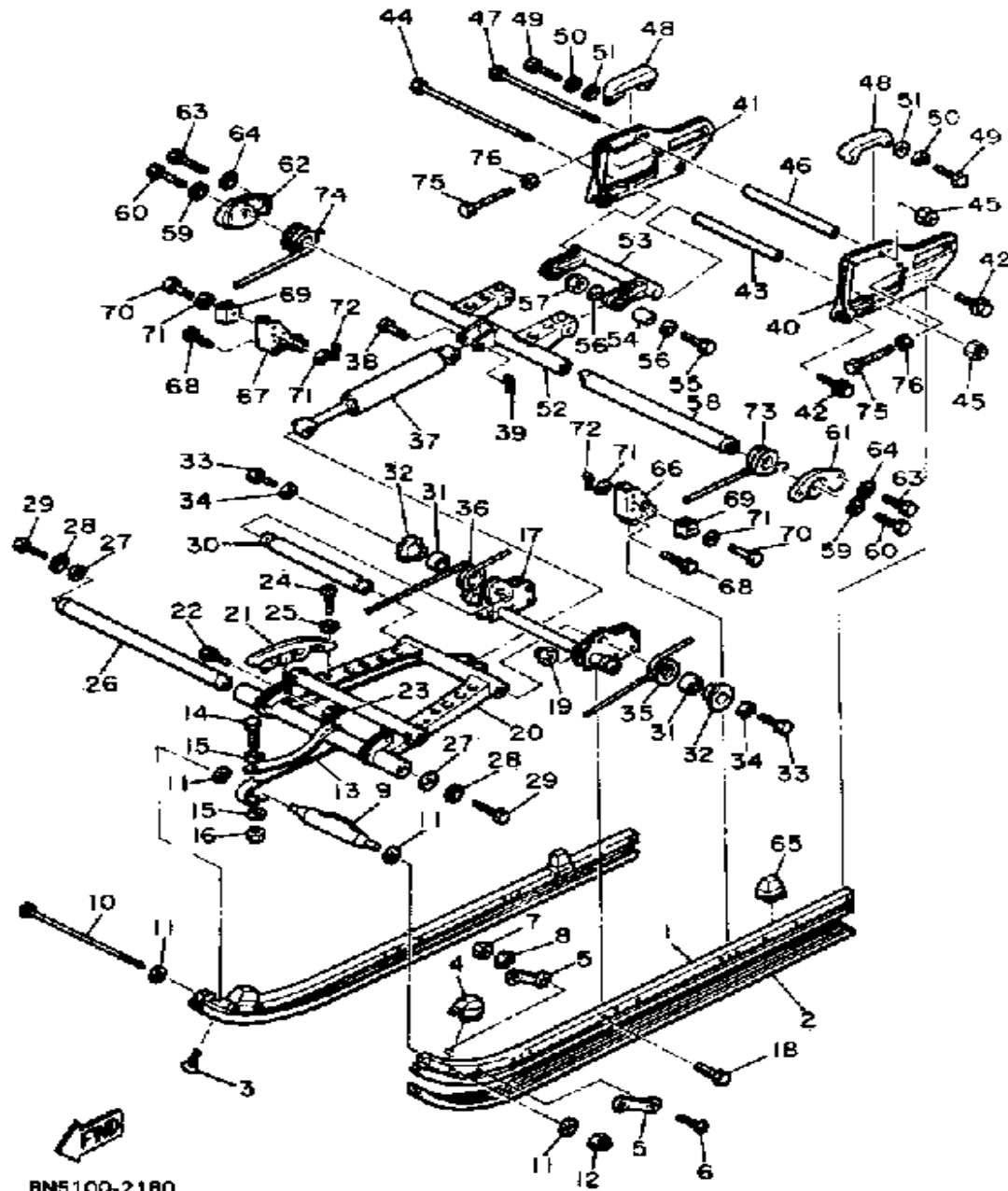
BN5100-2180

Ref. No.	Part Number	Description	Qty	Remarks
28	92901-10400-00	WASHER, EX.TOOTH	2	
29	97013-10030-00	BOLT (8J7) (97303-10030)	2	
30	8A5-47485-02-00	SHAFT 3	1	
31	90387-30570-00	COLLAR	2	
32	8E7-47446-00-00	HOOK 1	2	
33	97023-10035-00	BOLT, HEXAGON	2	
34	92990-10100-00	WASHER, SPRING	2	
35	90508-70375-00	SPRING, TORSION	1	
36	90508-70376-00	SPRING, TORSION	1	
37	8E7-47480-00-00	SHOCK ABSORBER	1	
38	90240-12115-00	PIN, CLEVIS	2	
39	91401-30030-00	PIN, COTTER	2	
40	8E3-47412-00-00	FRAME, SLIDING 2	1	
41	8E3-47413-00-00	FRAME, SLIDING 3	1	
42	90119-08008-00	BOLT, WITH WASHER	4	
43	90387-08496-00	COLLAR	1	
44	90101-08374-00	BOLT	1	
45	95712-08300-00	NUT, LOCK	2	
46	90387-08497-00	COLLAR	1	
47	97022-08250-00	BOLT	1	
48	8E3-47422-00-00	RUNNER, SLIDING 2	2	
49	97011-06025-00	BOLT (97001-06025)	4	
50	92995-06100-00	WASHER, SPRING	4	
51	90201-065F3-00	WASHER, PLATE	4	
52	8A5-47332-00-00	ARM, PIVOT 2	1	
53	8A5-47417-00-00	BRACKET 3	1	
54	90387-08508-00	COLLAR	2	
55	97313-08045-00	BOLT	2	
56	90201-08649-00	WASHER, PLATE	4	

CONTINUED ON NEXT FRAME ➤

Property of www.SmallEngineDiscount.com - Not for Resale

TRACK SUSPENSION 2

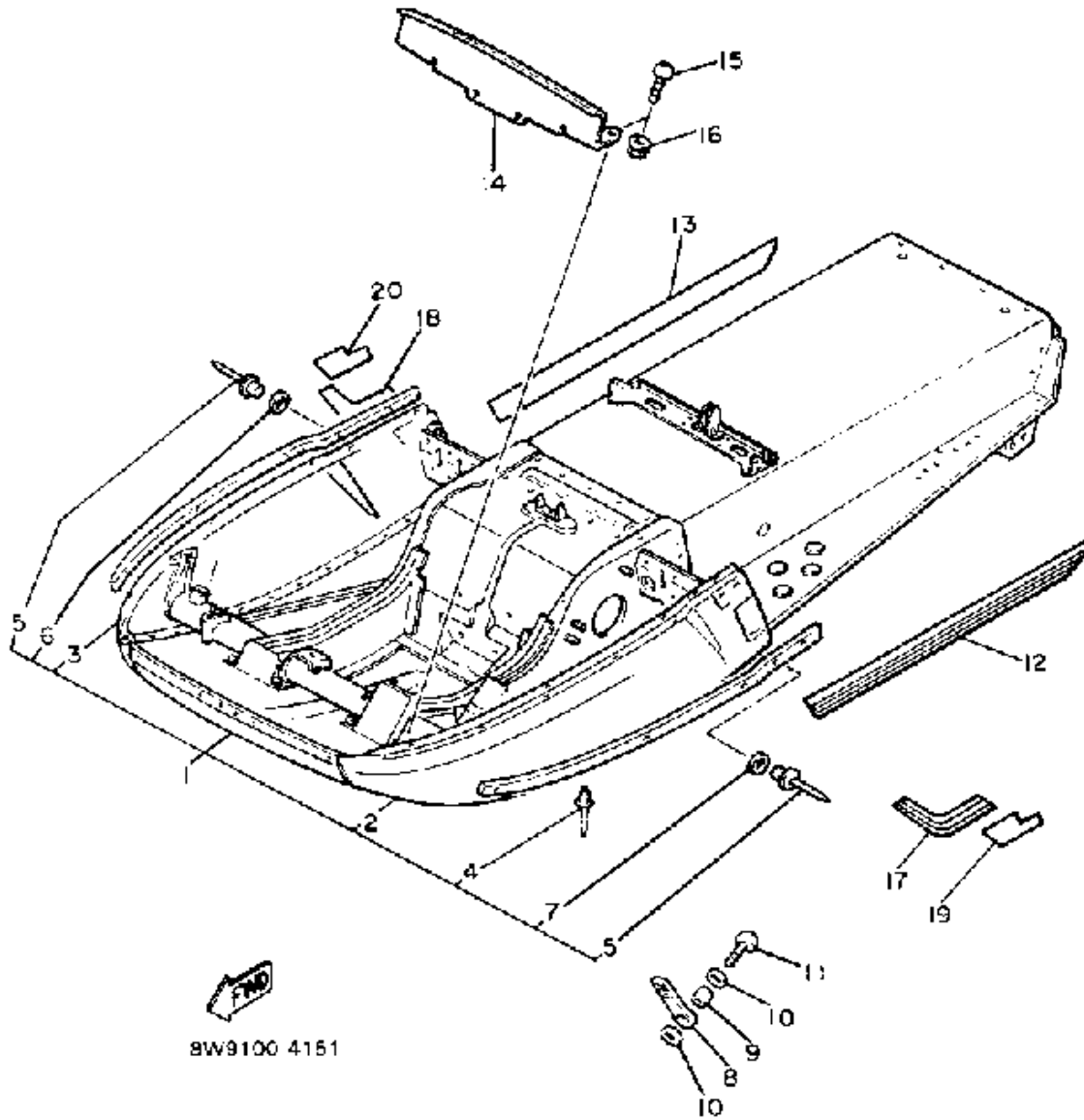


BN5100-2180

Ref. No.	Part Number	Description	Qty	Remarks
57	95712-08300-00	NUT, LOCK	2	
58	8A5-47475-02-00	SHAFT 2	1	
59	92901-10400-00	WASHER, EX.TOOTH	2	
60	97013-10030-00	BOLT (8J7) (97303-10030)	2	
61	8A5-47425-00-00	BRACKET, REAR 2	1	
62	8A5-47426-00-00	BRACKET, REAR 1	1	
63	97313-08018-00	BOLT, HEXAGON (97301-08016)	4	
64	92901-08400-00	WASHER, EX.TOOTH	4	
65	885-47457-00-00	DAMPER 2	2	
66	8L4-47463-00-00	BRACKET 5	1	
67	8L4-47464-00-00	BRACKET 6	1	
68	90101-06348-00	BOLT	6	
69	890-47447-00-00	HOOK 2	2	
70	90249-12113-00	PIN	2	
71	90201-12749-00	WASHER, PLATE	4	
72	91401-30030-00	PIN, COTTER	2	
73	90508-99331-00	SPRING, TORSION	1	
74	90508-99332-00	SPRING, TORSION	1	
75	90101-10314-00	BOLT	2	
76	90179-10279-00	NUT	2	

Property of www.SmallEngineDiscount.com - Not for Resale

FRAME

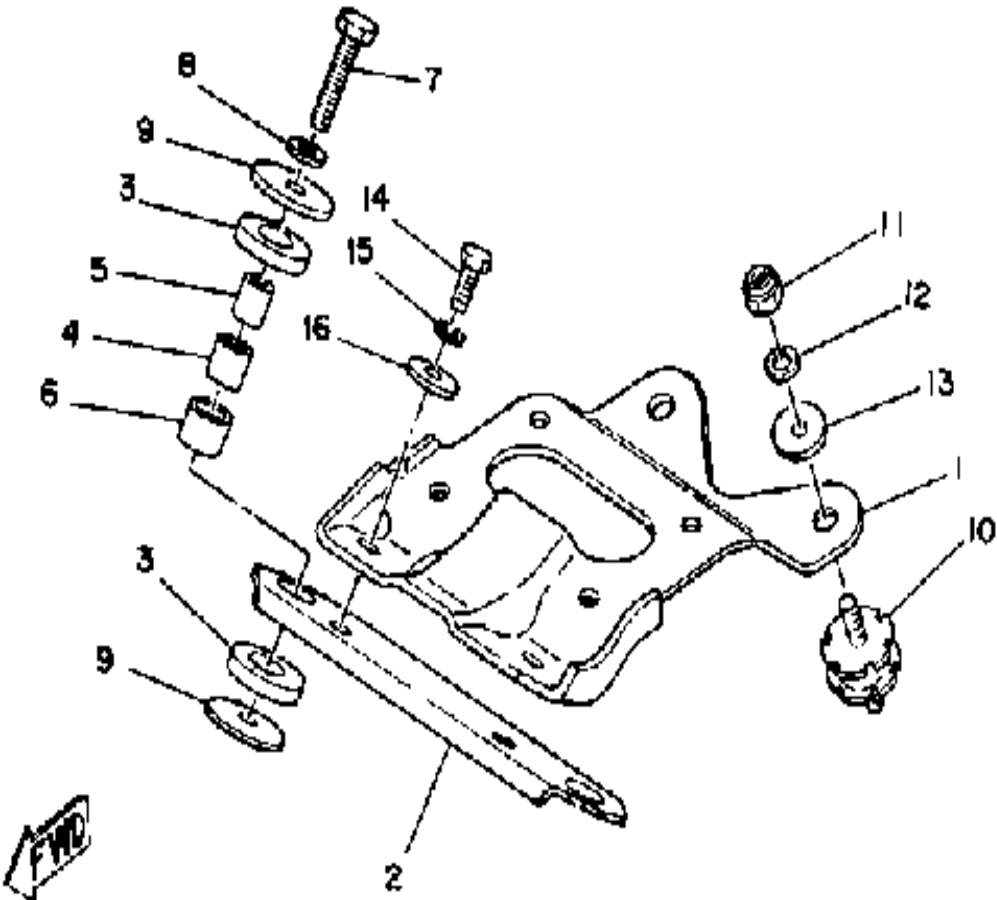


8W9100 4151

Ref. No.	Part Number	Description	Qty	Remarks
1	8W9-21910-00-00	FRAME	1	
2	8W6-21982-00-00	. HOOD 1	1	
3	8W6-21983-00-00	. HOOD 2	1	
4	90267-48053-00	. RIVET, BLIND	21	
5	90267-48057-00	. RIVET, BLIND	34	
6	90201-04015-00	. WASHER, PLATE	9	
7	90201-047A2-00	. WASHER, PLATE	1	
8	8M6-77171-00-00	BODY, LATCH 1	2	
9	90387-06241-00	COLLAR	2	
10	90201-06059-00	WASHER, PLATE	4	
11	98906-06025-00	SCREW, BIND	2	
12	8W9-77354-00-00	EMBLEM 4	1	
13	8W9-77355-00-00	EMBLEM 5	1	
14	8W6-2198F-00-00	COVER 1	1	
15	98906-06012-00	SCREW, BIND	4	
16	95701-06500-00	NUT, FLANGE	3	
17	8W9-77169-00-00	ORNAMENT 3	1	
18	8W9-77113-00-00	ORNAMENT 4	1	
19	8W9-77358-00-00	EMBLEM 8	1	
20	8W9-77359-00-00	EMBLEM 9	1	

Property of www.SmallEngineDiscount.com - Not for Resale

ENGINE BRACKET

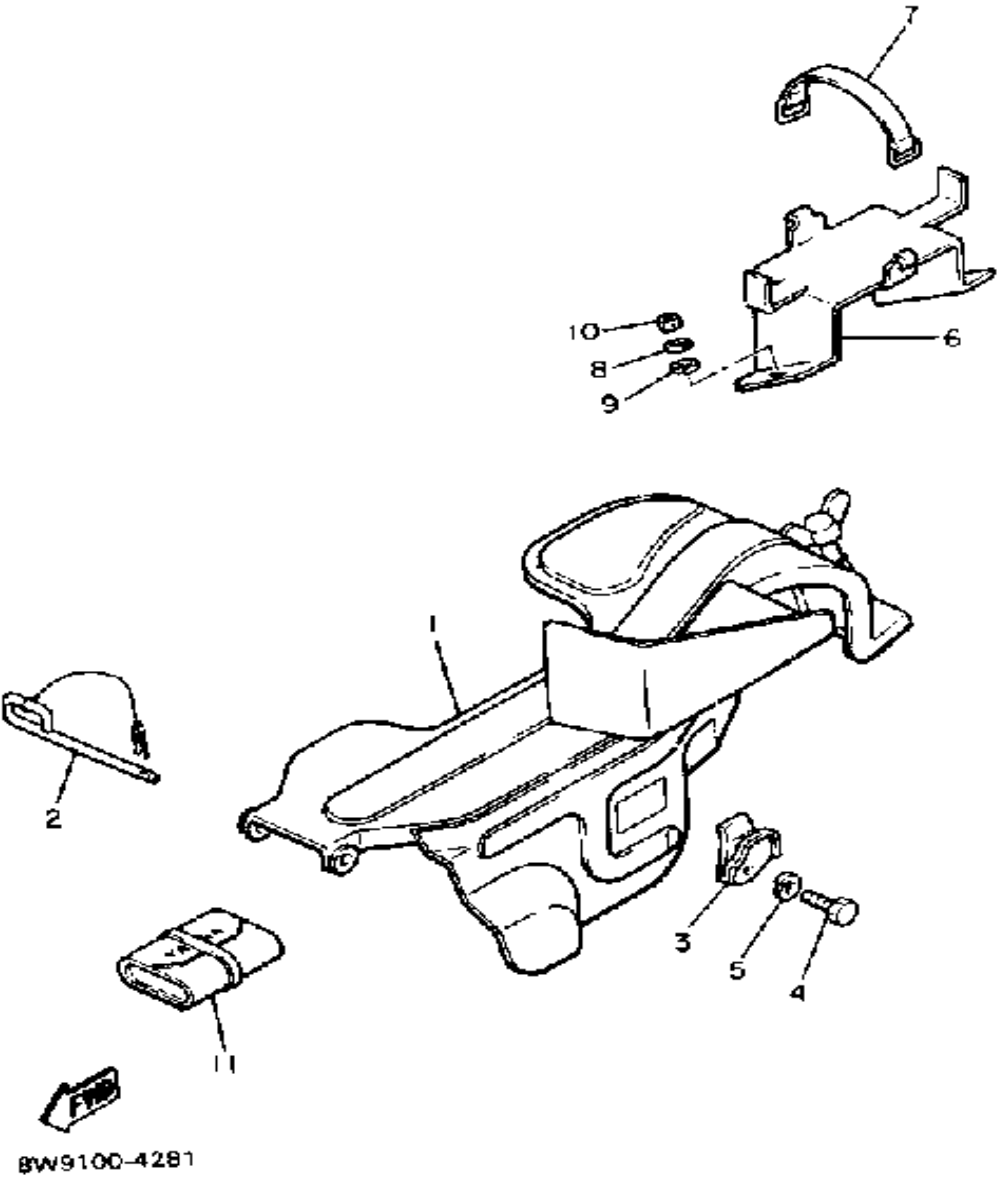


Ref. No.	Part Number	Description	Qty	Remarks
1	8G8-21411-00-00	BRACKET, ENGINE 1	1	
2	8G8-21419-00-00	BRACKET, ENGINE 2	1	
3	8A5-21485-00-00	DAMPER, RUBBER 1	4	
4	90385-15025-00	BUSH, SPEC'L RUBBER	2	
5	90387-10514-00	COLLAR	2	
6	90387-21515-00	COLLAR	2	
7	97313-10050-00	BOLT, HEXAGON (676)	2	
8	92990-10100-00	WASHER, SPRING	2	
9	90201-10151-00	WASHER, PLATE	4	
10	8F3-21486-00-00	DAMPER 2	2	
11	95380-10600-00	NUT	2	
12	92990-10100-00	WASHER, SPRING	2	
13	90201-10321-00	WASHER, PLATE	2	
14	97011-10025-00	BOLT	2	
15	92990-10100-00	WASHER, SPRING	2	
16	90201-10639-00	WASHER, PLATE	2	

8J6100-0200

Property of www.SmallEngineDiscount.com - Not for Resale

GUARD - LUGGAGE BOX

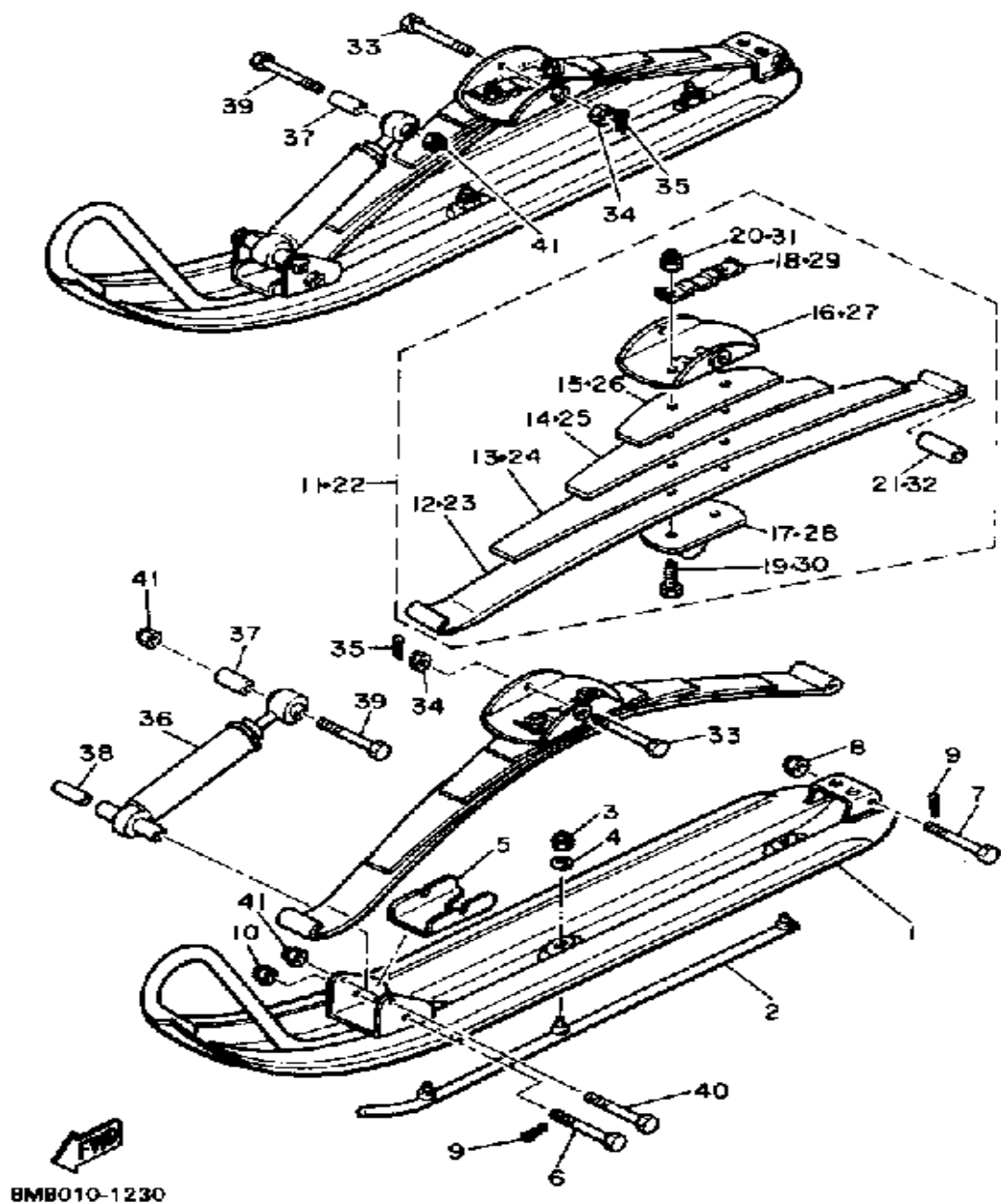


Ref. No.	Part Number	Description	Qty	Remarks
1	8W6-77311-00-00	GUARD, DRIVE		
2	8F3-77327-00-00	SHAFT	1	
3	8F3-77323-00-00	PROTECTOR, DRIVE	1	
4	97011-08016-00	BOLT	1	
5	92902-08100-00	WASHER, SPRING	1	
6	8W8-21945-00-00	BRACKET, TL BX FTNG	1	
7	4J2-82131-01-00	BAND, BATTERY	1	
8	92906-06600-00	WASHER	2	
9	92906-06100-00	WASHER, SPRING	2	
10	95316-06600-00	NUT	2	
11	8F3-28100-00-00	TOOL KIT	1	

Property of www.SmallEngineDiscount.com - Not for Resale

SKI

Ref. No.	Part Number	Description	Qty	Remarks
1	8F3-23710-01-00	SKI 1 (888-23731-01)	2	
2	888-23731-01-XX	SKI RUNNER, 1	2	
3	95712-08300-00	NUT, LOCK	6	
4	92906-08200-00	WASHER	6	
5	8F3-23735-00-00	PLATE, WEAR 1	2	
6	90102-08028-00	BOLT, WITH HOLE	2	
7	90102-08027-00	BOLT, WITH HOLE	2	
8	95712-08300-00	NUT, LOCK	2	
9	91490-20020-00	PIN, COTTER	4	
10	95611-08100-00	NUT, U	2	
11	8M8-23760-00-00	SPRING ASSEMBLY 1	1	
12	888-23761-00-00	. LEAF 1	1	
13	865-23762-00-00	. LEAF 2	1	
14	888-23763-00-00	. LEAF 3	1	
15	865-23771-00-00	. LEAF 5	1	
16	8G6-23766-00-00	. SADDLE 1	1	
17	878-23768-00-00	. SEAT, SPRING 1	1	
18	90215-10155-00	. WASHER, LOCK	1	
19	90109-105E1-00	. BOLT	2	
20	90185-10085-00	. NUT, SELF-LOCKING	2	
21	90387-08478-00	. COLLAR	1	
22	8M8-23770-00-00	SPRING ASSEMBLY 2	1	
23	888-23761-00-00	. LEAF 1	1	
24	865-23762-00-00	. LEAF 2	1	
25	888-23763-00-00	. LEAF 3	1	
26	865-23771-00-00	. LEAF 5	1	
27	8G6-23766-00-00	. SADDLE 1	1	
28	878-23768-00-00	. SEAT, SPRING 1	1	
29	90215-10155-00	. WASHER, LOCK	1	

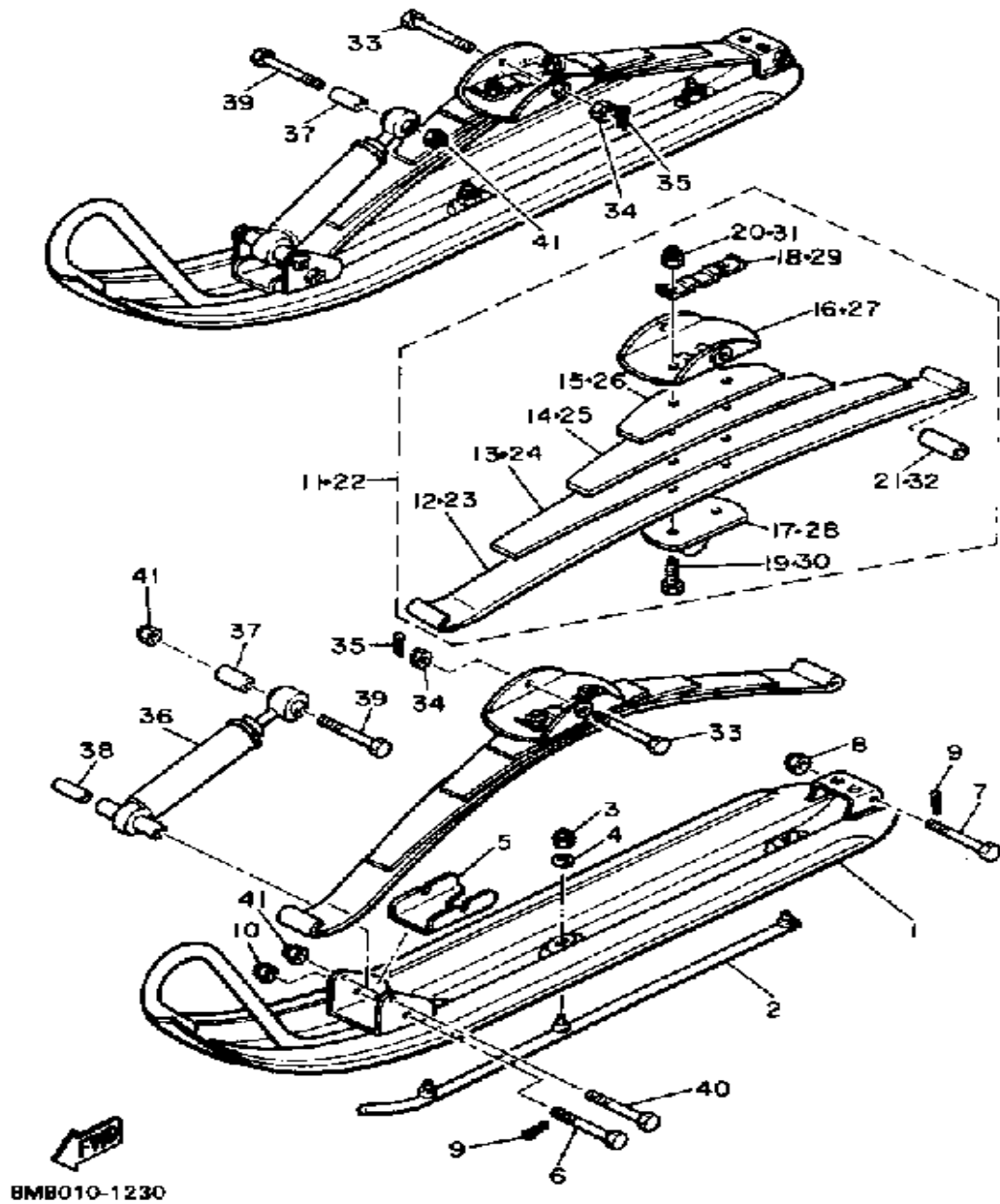


CONTINUED ON NEXT FRAME ➤

Property of www.SmallEngineDiscount.com - Not for Resale

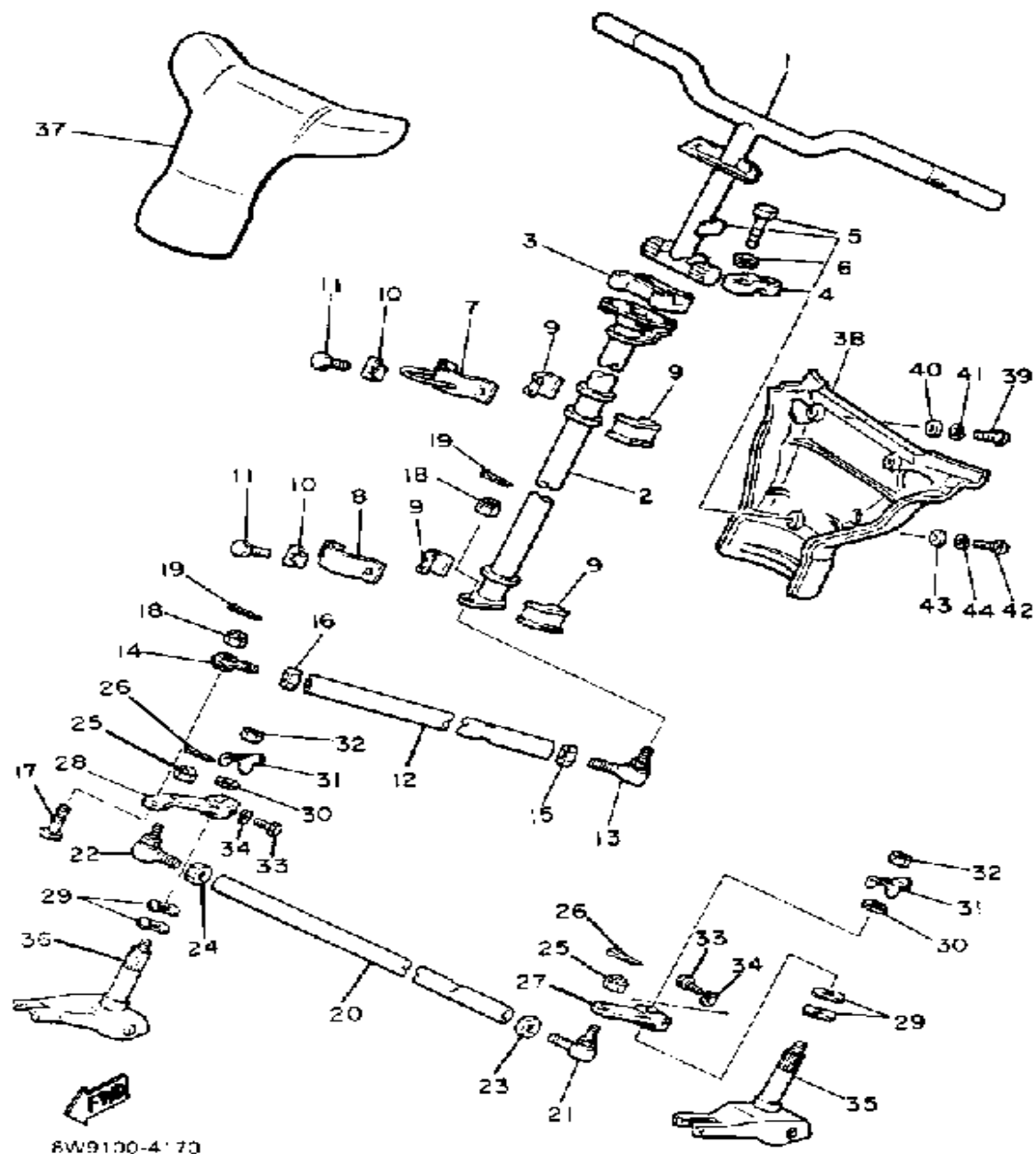
SKI

Ref. No.	Part Number	Description	Qty	Remarks
30	90109-105E1-00	. BOLT	2	
31	90185-10085-00	. NUT, SELF-LOCKING	2	
32	90387-08478-00	. COLLAR	1	
33	90102-12030-00	BOLT, WITH HOLE	2	
34	90171-12040-00	NUT, CASTLE	2	
35	91401-30030-00	PIN, COTTER	2	
36	8J6-23350-00-00	SHOCK ABSORBER ASSEMBLY	2	
37	90387-08262-00	COLLAR	2	
38	90387-08224-00	COLLAR	2	
39	97313-08055-00	BOLT, HEXAGON	2	
40	97021-08070-00	BOLT	2	
41	95712-08300-00	NUT, LOCK	4	



Property of www.SmallEngineDiscount.com - Not for Resale

STEERING

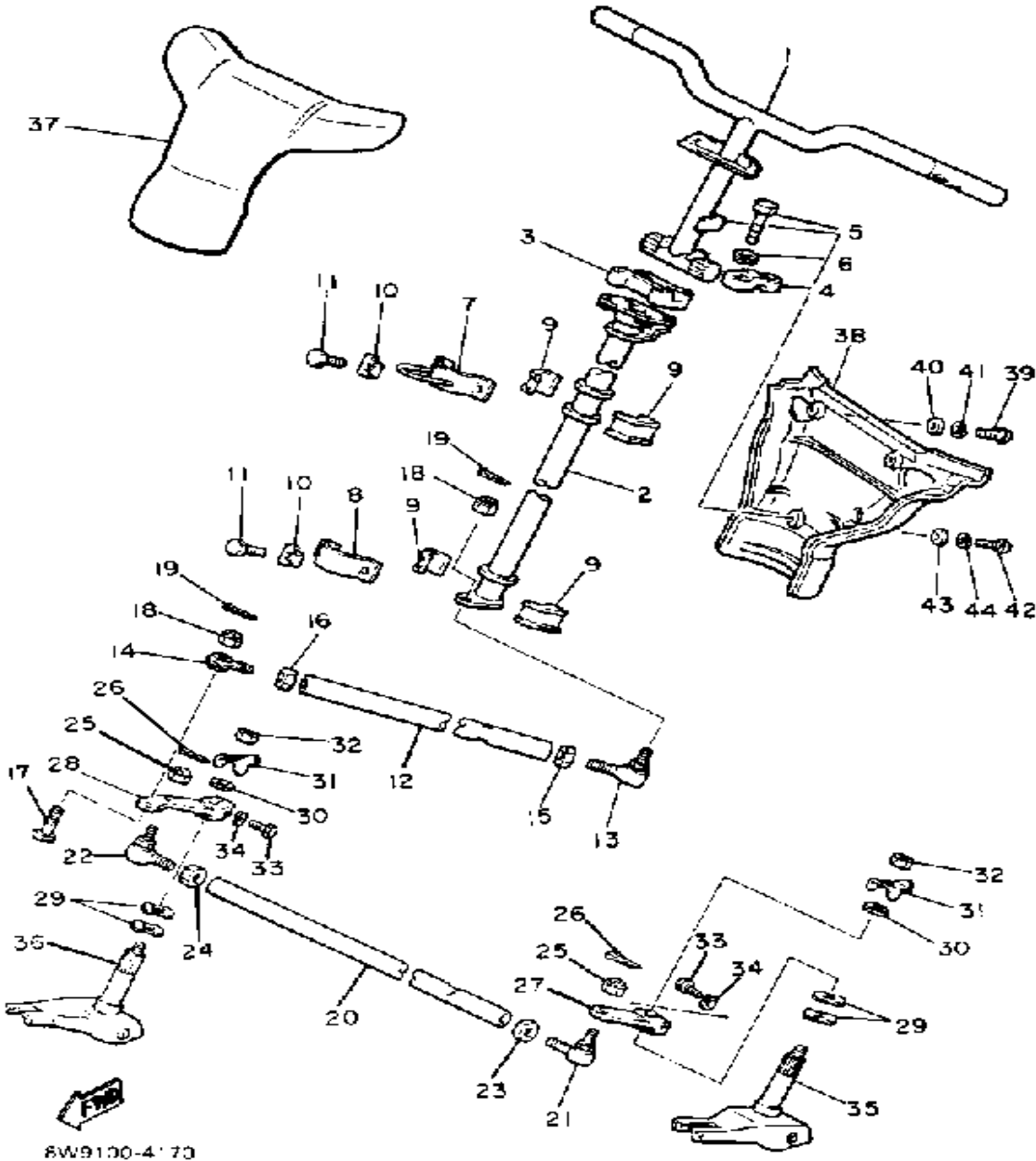


Ref. No.	Part Number	Description	Qty	Remarks
1	8W6-23811-00-00	COLUMN, STEERING	1	
2	8W6-23813-00-00	COLUMN, STEERING 2	1	
3	164-23441-00-98	HOLDER, HANDLE UPPER ...	1	
4	1E6-23441-00-00	HOLDER, HANDLE UPR	2	
5	97321-08055-00	BOLT, HEXAGON	4	
6	92902-08100-00	WASHER, SPRING	4	
7	84M-23872-00-00	HOLDER, BEARING	1	
8	84M-23868-00-00	BRACKET, STEERING LOWER	1	
9	8F3-23812-00-00	PLANE BEARING, STEERING .	4	
10	90215-08262-00	WASHER, LOCK	4	
11	97313-08016-00	BOLT, HEXAGON	4	
12	8G8-23821-00-00	ROD, STEERING RELAY	1	
13	86X-23841-00-00	JOINT, UNIVERSAL 1	1	
14	87S-23847-00-00	JOINT, UNIVERSAL 3	1	
15	95303-10700-00	NUT	1	
16	90170-10186-00	NUT	1	
17	90109-10482-00	BOLT	1	
18	95701-10300-00	NUT, FLANGE (95702-10300) ..	2	
19	91490-20020-00	PIN, COTTER	2	
20	8G8-23831-00-00	ROD, TIE	1	
21	86X-23841-00-00	JOINT, UNIVERSAL 1	1	
22	86X-23845-00-00	JOINT, UNIVERSAL 2	1	
23	95303-10700-00	NUT	1	
24	90170-10186-00	NUT	1	
25	95701-10300-00	NUT, FLANGE (95702-10300) ..	2	
26	91490-20020-00	PIN, COTTER	2	
27	8F3-23851-00-00	ARM, OUTSIDE 1	1	
28	8F3-23852-00-00	ARM, OUTSIDE 2	1	
29	90206-20037-00	WASHER, WAVE	4	

CONTINUED ON NEXT FRAME ►

Property of www.SmallEngineDiscount.com - Not for Resale

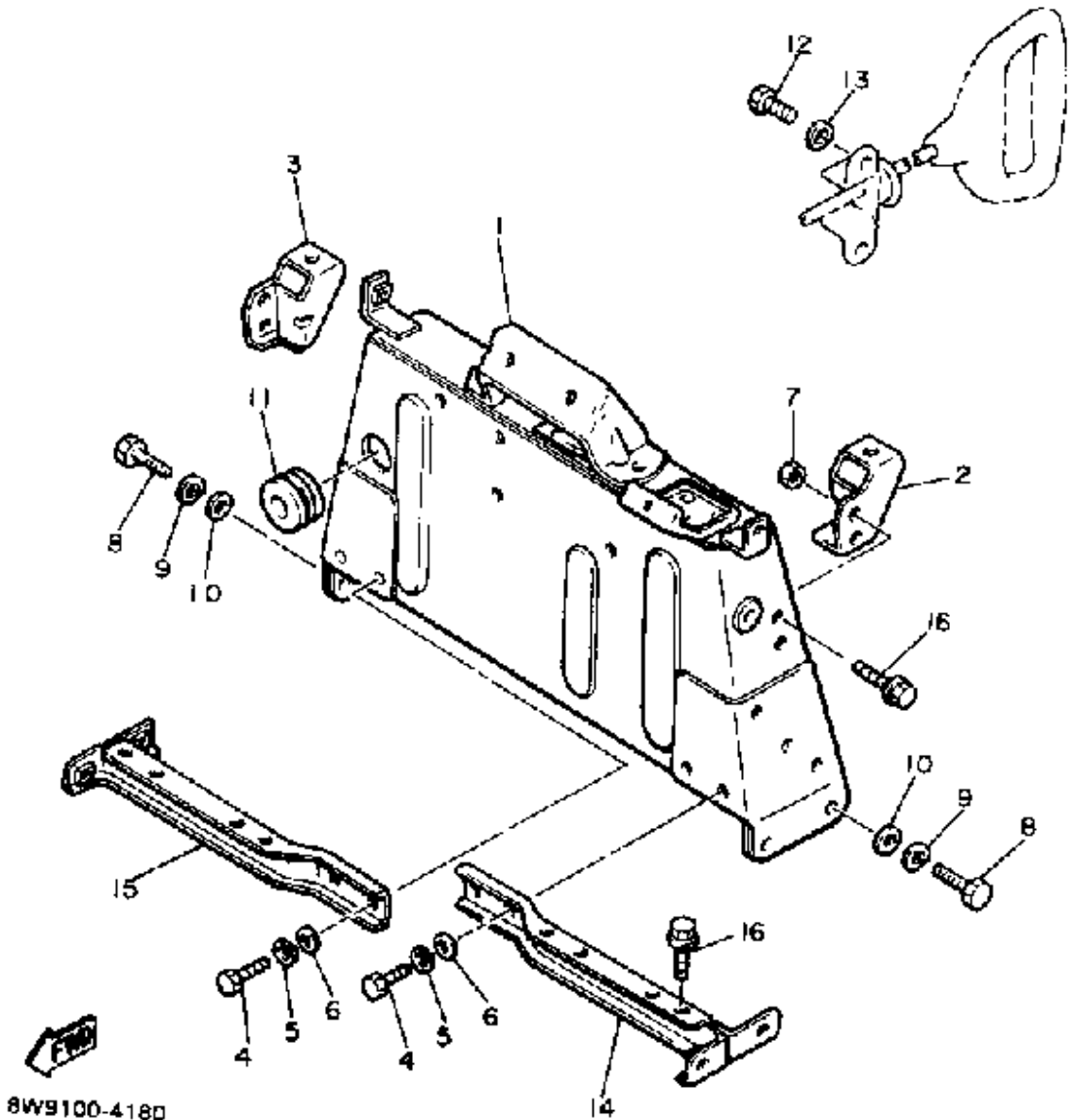
STEERING



Ref. No.	Part Number	Description	Qty	Remarks
30	90201-10752-00	WASHER, PLATE	2	
31	90215-10096-00	WASHER, LOCK	2	
32	95303-10600-00	NUT (95301-10600)	2	
33	97001-08025-00	BOLT (1NV)	2	
34	92902-08100-00	WASHER, SPRING	2	
35	83T-23853-00-00	COLUMN, SKI 1	1	
36	83T-23854-00-00	. COLUMN, SKI 2	1	
37	8W9-23815-00-00	PAD, STEERING	1	
38	8W9-23817-00-00	PAD, STEERING	1	
39	98506-05030-00	SCREW, PAN HEAD	2	
40	92906-05600-00	WASHER, PLATE	2	
42	92906-05100-00	WASHER, SPRING	2	
	98506-05008-00	SCREW, PAN HEAD	1	
43	92906-05200-00	WASHER, PLAIN	1	
44	92906-05100-00	WASHER, SPRING	1	

Property of www.SmallEngineDiscount.com - Not for Resale

STEERING GATE

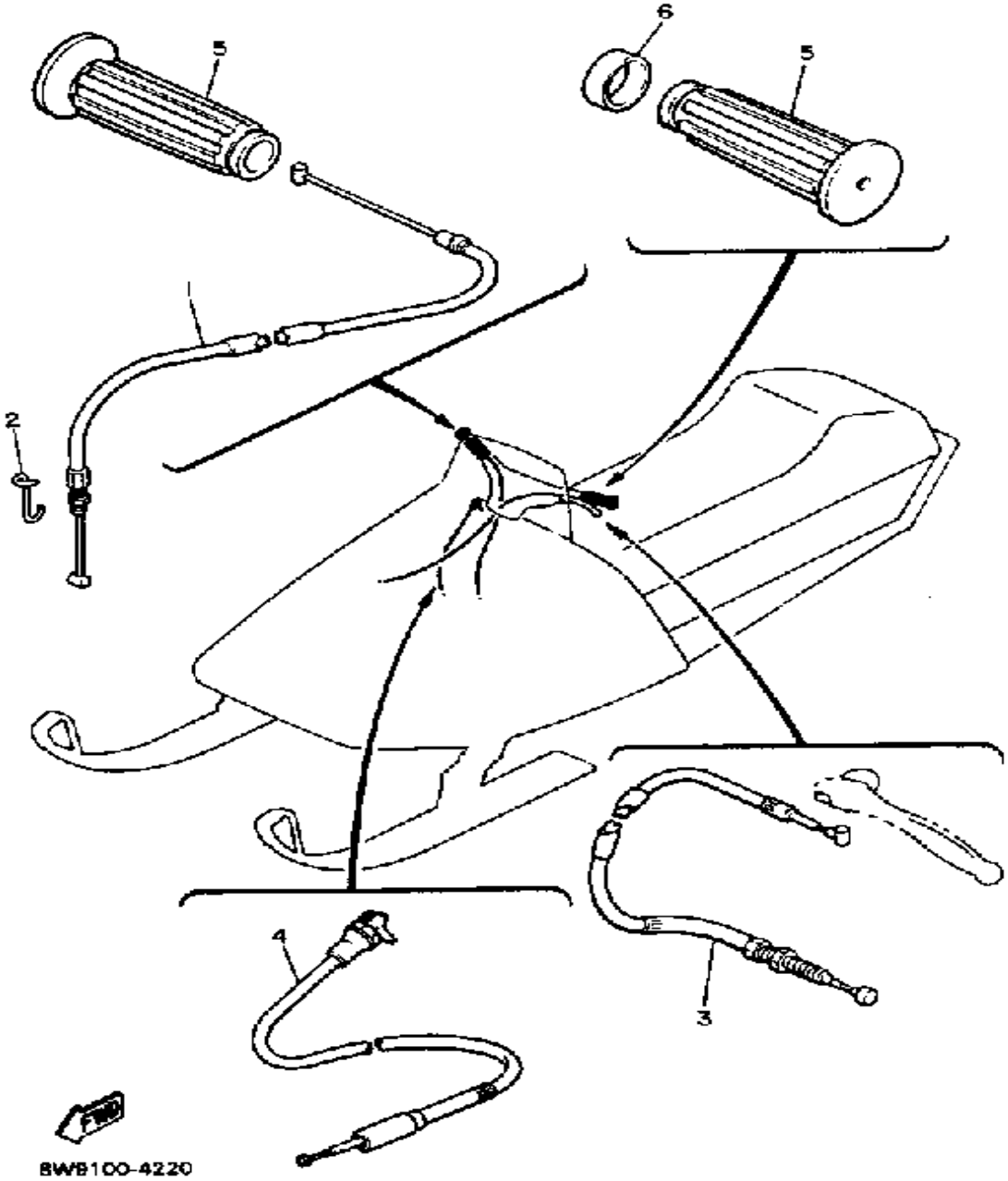


Ref. No.	Part Number	Description	Qty	Remarks
1	8W6-23871-00-00	GATE, STEERING	1	
2	8W6-24115-00-00	STAY, FUEL TANK 1	1	
3	8W6-24116-00-00	STAY, FUEL TANK	1	
4	97301-06014-00	BOLT, HEXAGON	4	
5	92995-06100-00	WASHER, SPRING	4	
6	92901-06600-00	WASHER	4	
7	95380-06600-00	NUT	4	
8	97313-08018-00	BOLT, HEXAGON (97301-08016)	4	
9	92990-08100-00	WASHER	4	
10	92901-08600-00	WASHER	4	
11	90480-28191-00	GROMMET	1	
12	97013-06012-00	BOLT	2	
13	92995-06100-00	WASHER, SPRING	2	
14	8W6-23898-00-00	BRACKET 3	1	
15	8W6-23899-00-00	BRACKET 4	1	
16	95811-06012-00	BOLT, FLANGE	12	

Property of www.SmallEngineDiscount.com - Not for Resale

C10

CONTROL - CABLE

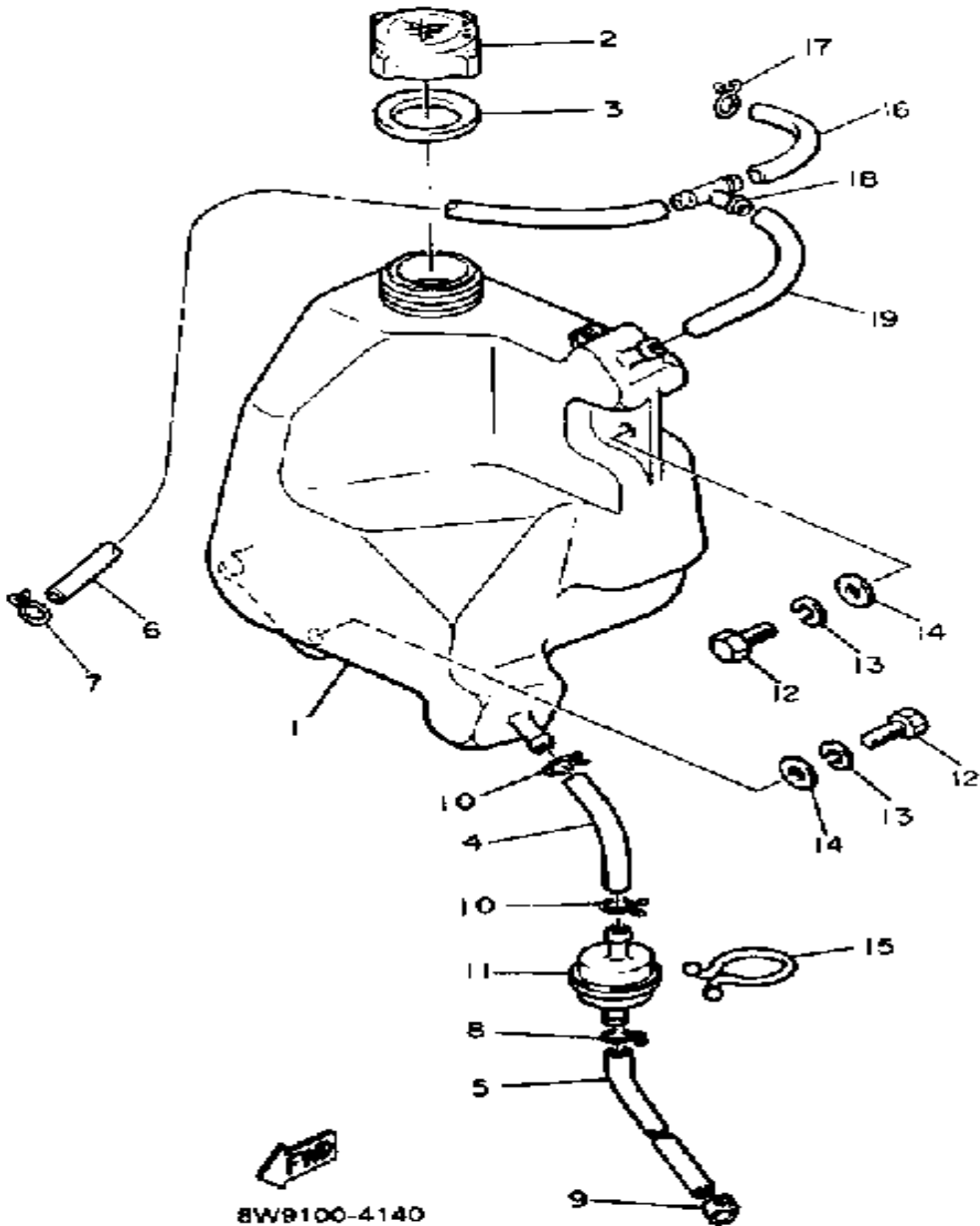


Ref. No.	Part Number	Description	Qty	Remarks
1	8W6-26311-00-00	CABLE, THROTTLE 1	1	
2	90465-10189-00	CLAMP	1	
3	8F3-26340-01-00	CABLE, BRAKE	1	
4	8W6-26331-00-00	CABLE, STARTER 1	1	
5	8W6-26241-00-00	GRIP LH	2	
6	90387-22726-00	COLLAR	1	

Property of www.SmallEngineDiscount.com - Not for Resale

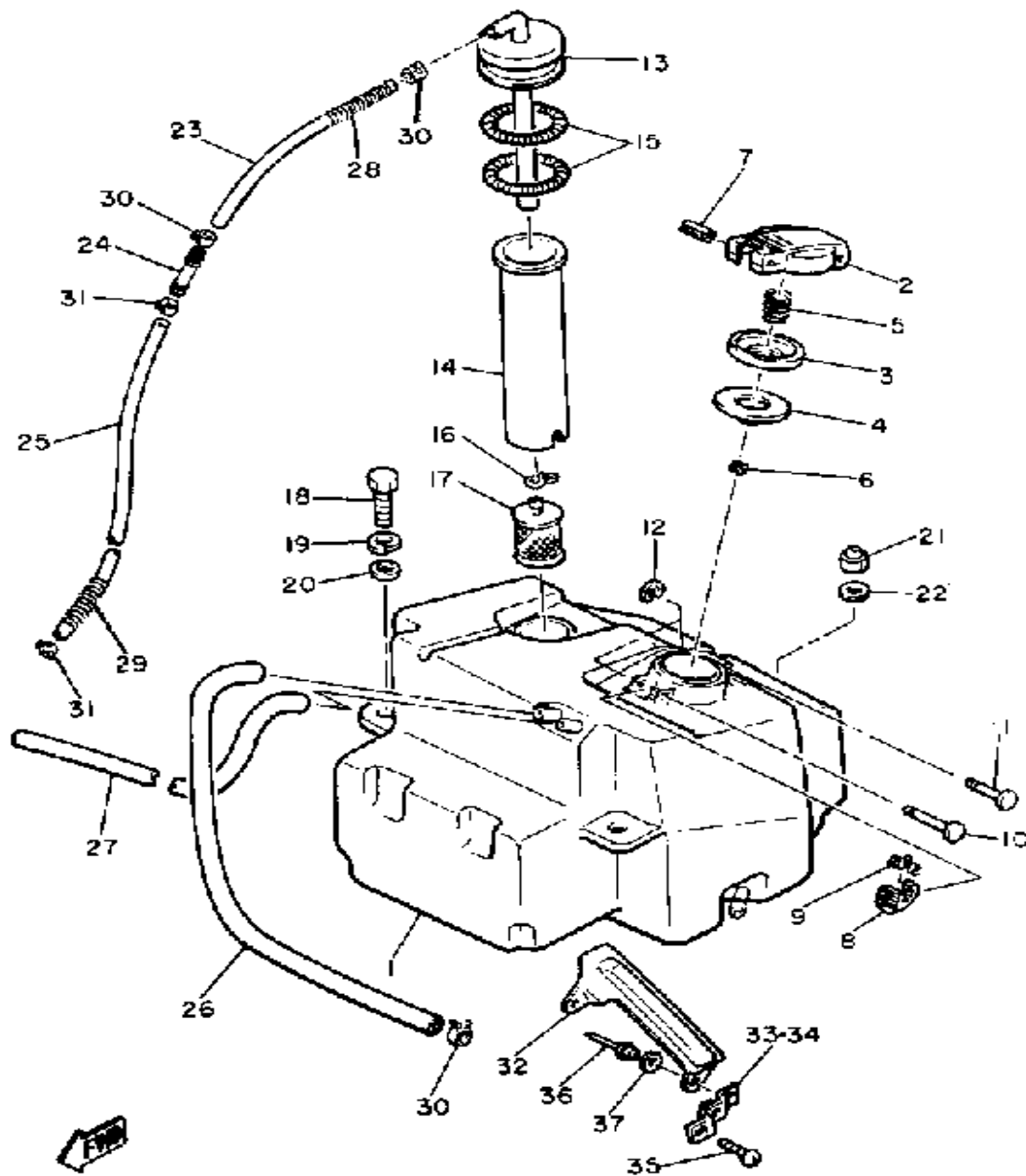
OIL TANK

Ref. No.	Part Number	Description	Qty	Remarks
1	83R-21751-00-00	TANK, OIL	1	
2	863-21771-00-00	BODY, CAP	1	
3	90430-31003-00	GASKET	1	
4	90446-11081-00	HOSE	1	
5	90446-09067-00	HOSE	1	
6	90446-09013-00	HOSE (90446-09079)	1	
7	90464-23041-00	CLAMP	1	
8	90467-09005-00	CLIP, SCISSOR	1	
9	90467-09026-00	CLIP	1	
10	90467-11009-00	CLIP	2	
11	8G8-13410-00-00	STRAINER HOUSING ASSEMBLY	1	
12	97313-08020-00	BOLT, HEXAGON	2	
13	92902-08100-00	WASHER, SPRING	2	
14	92990-08200-00	WASHER, PLAIN	2	
15	90464-30040-00	CLAMP	1	
16	90446-09053-00	HOSE	1	
17	90467-09026-00	CLIP	1	
18	801-24376-00-00	PIPE, JOINT 1	1	
19	90446-09065-00	HOSE	1	



8WB100-4140

Property of www.SmallEngineDiscount.com - Not for Resale



BW9100-4190

FUEL TANK

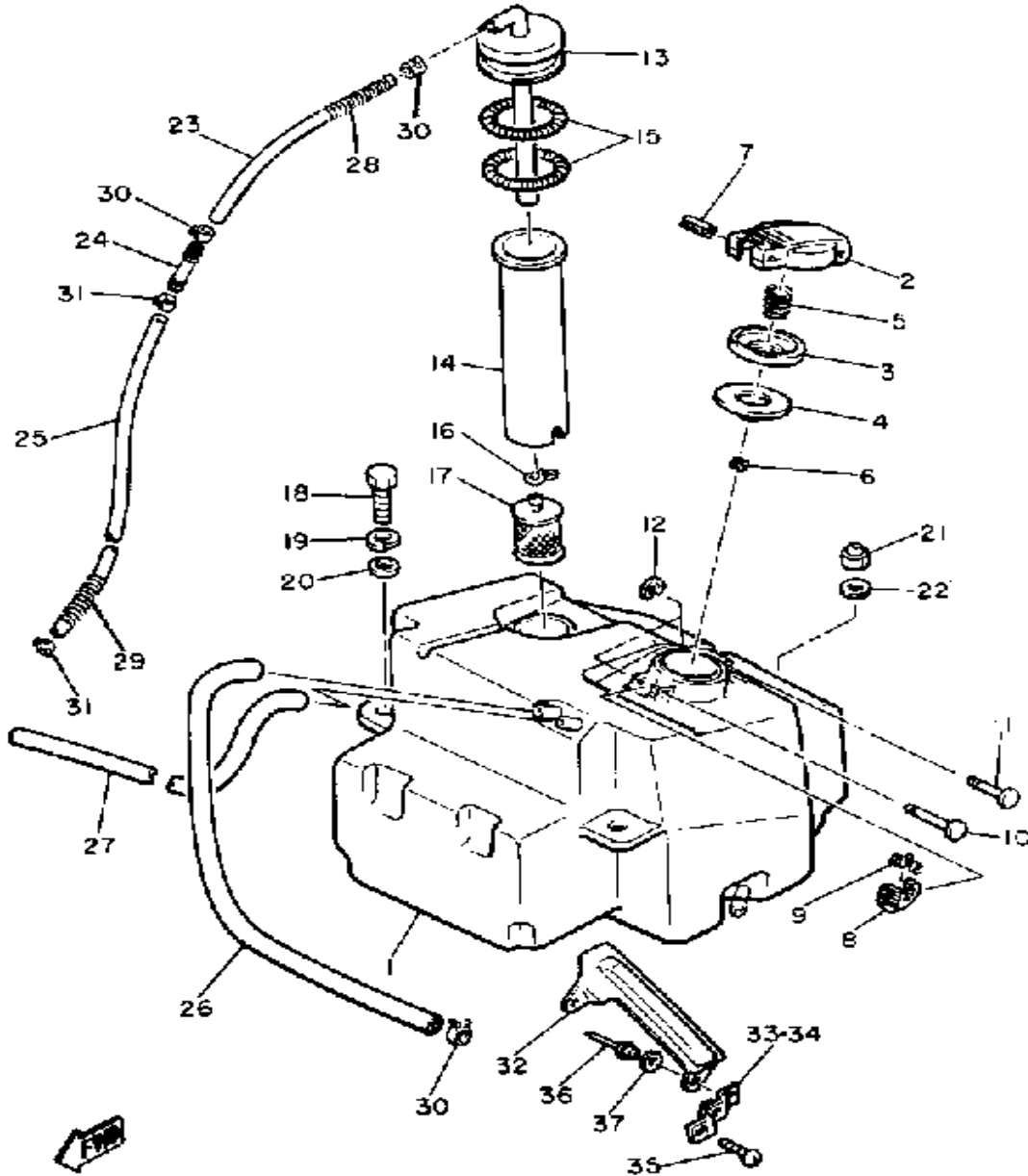
Ref. No.	Part Number	Description	Qty	Remarks
1	8W6-24111-00-00	FUEL TANK	1	
2	8W6-24611-00-00	BODY, CAP	1	
3	813-24613-01-00	DISC, CAP	1	
4	8F7-24641-00-00	GASKET, CAP 1	1	
5	90501-20130-00	SPRING, COMPRESSION	1	
6	91609-30016-00	PIN, SPRING	1	
7	91609-25050-00	PIN, SPRING	1	
8	83M-24628-00-00	HOOK	1	
9	90508-10715-00	SPRING, TORSION	1	
10	90249-03017-00	PIN	1	
11	90249-03175-00	PIN	1	
12	93430-02001-00	CIRCLIP	2	
13	83R-24335-00-00	PIPE, SUCTION 1	1	
14	8V0-24336-00-00	PIPE, SUCTION 2	1	
15	90506-06065-00	SPRING, TENSION	2	
16	90467-11009-00	CLIP	1	
17	8H5-24560-00-00	FILTER ASSEMBLY	1	
18	97001-08025-00	BOLT (1NV)	2	
19	92990-08100-00	WASHER	2	
20	90201-087A9-00	WASHER, PLATE	2	
21	95712-08300-00	NUT, LOCK	1	
22	90201-087A9-00	WASHER, PLATE	1	
23	90446-11247-00	HOSE	1	
24	8Y4-24376-00-00	PIPE, JOINT 1	1	
25	90446-09062-00	HOSE	1	
26	90446-09059-00	HOSE	1	
27	90446-09015-00	HOSE	1	
28	8F3-24326-00-00	PROTECTOR, PIPE	1	
29	8G5-24328-00-00	PROTECTOR, PIPE	1	

CONTINUED ON NEXT FRAME ➤

Property of www.SmallEngineDiscount.com - Not for Resale

FUEL TANK

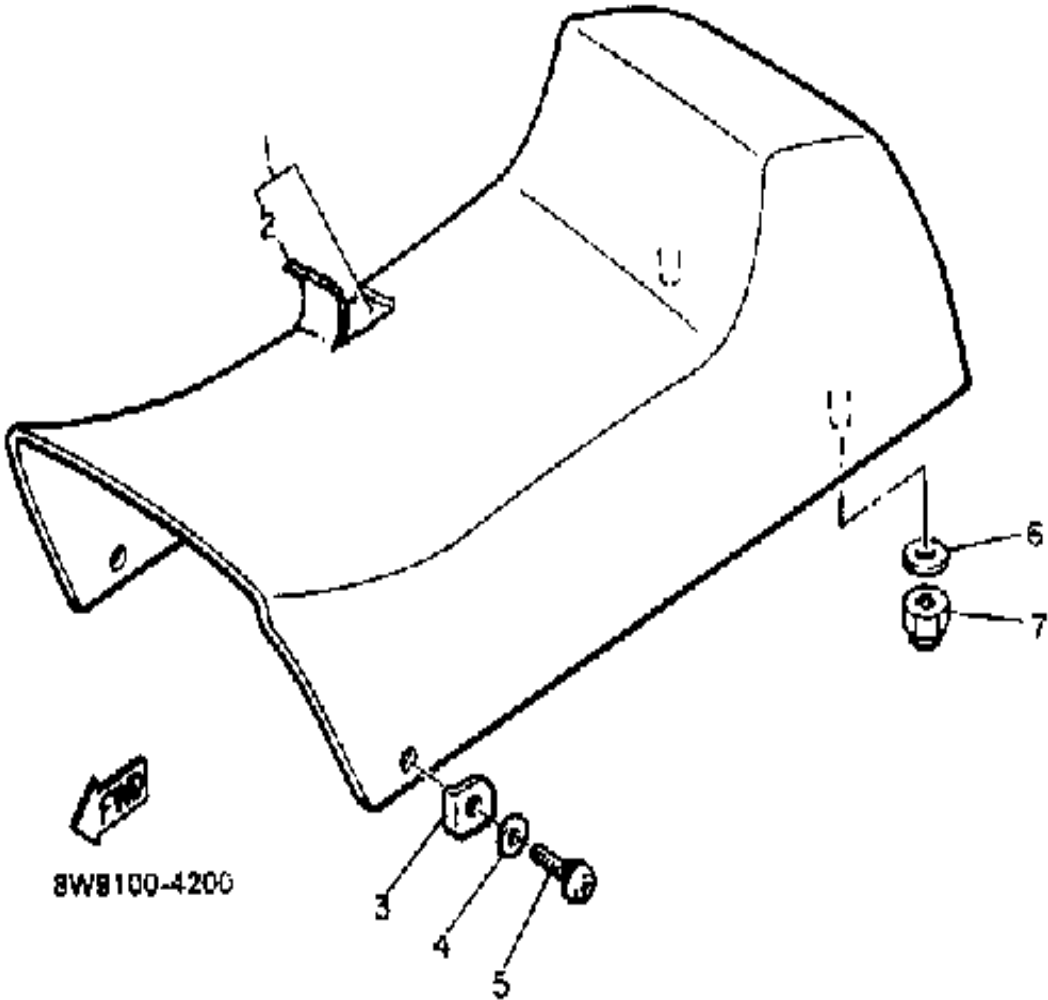
Ref. No.	Part Number	Description	Qty	Remarks
30	90467-11028-00	CLIP	2	
31	90467-09026-00	CLIP	3	
32	8W6-24179-00-00	GAUGE, FUEL	1	
33	8W6-77721-00-00	BRACKET 1	1	
34	8W6-77722-00-00	BRACKET 2	1	
35	(97906-06314-00)	SCREW	4	
36	90267-48053-00	RIVET, BLIND	1	
37	90201-04325-00	WASHER, PLATE	1	



BW9100-4190

Property of www.SmallEngineDiscount.com - Not for Resale

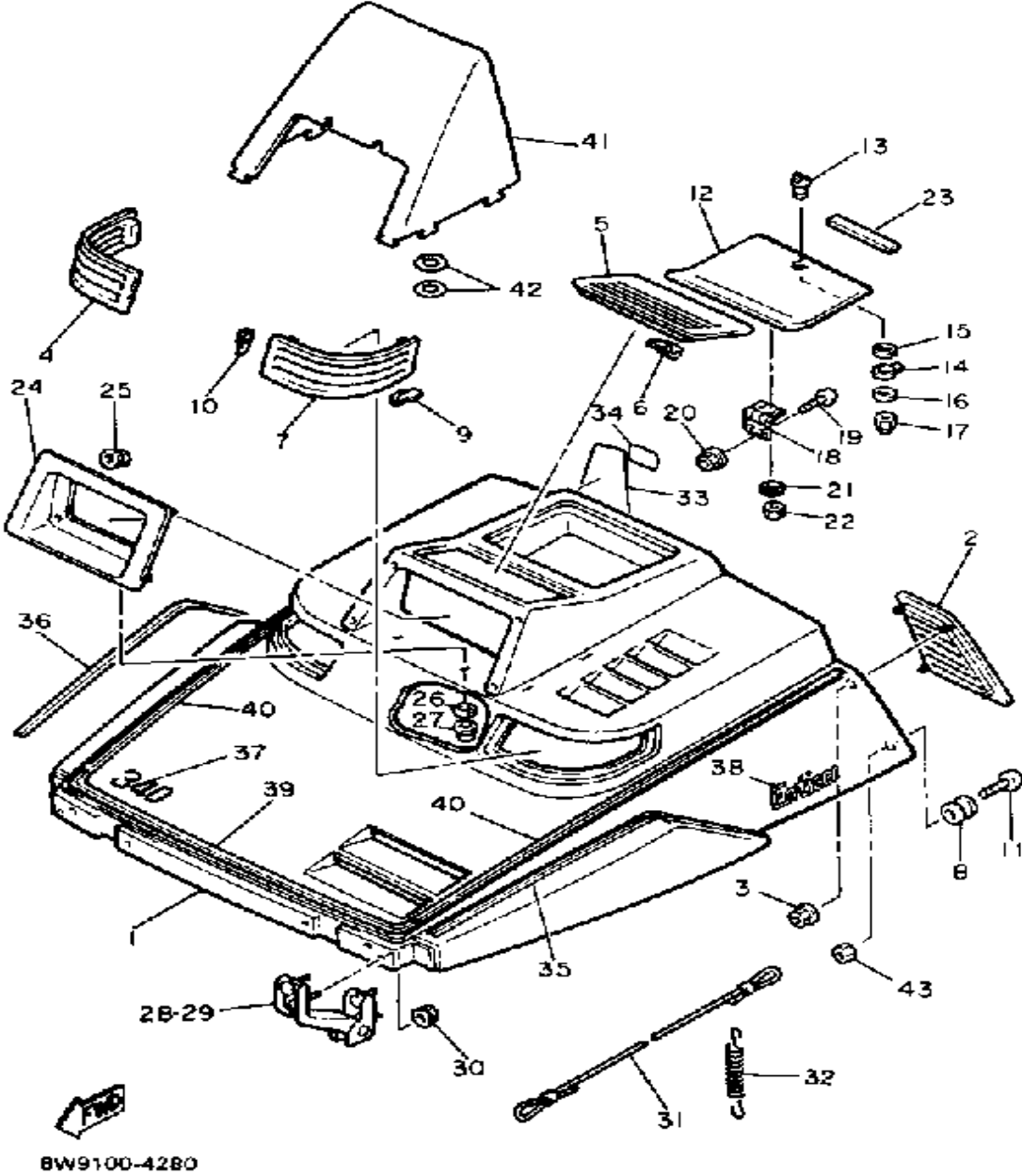
SEAT



Ref. No.	Part Number	Description	Qty	Remarks
1	82H-24710-00-00	SINGLE SEAT ASSEMBLY	1	
2	82H-24710-00-00	SINGLE SEAT ASSEMBLY	1	
3	90215-14147-00	WASHER, LOCK	2	
4	90201-063J2-00	WASHER, PLATE	2	
5	98506-06025-00	SCREW, PAN HEAD	2	
6	90201-08748-00	WASHER, PLATE	2	
7	95712-08300-00	NUT, LOCK	2	

Property of www.SmallEngineDiscount.com - Not for Resale

SHROUD - WINDSHIELD

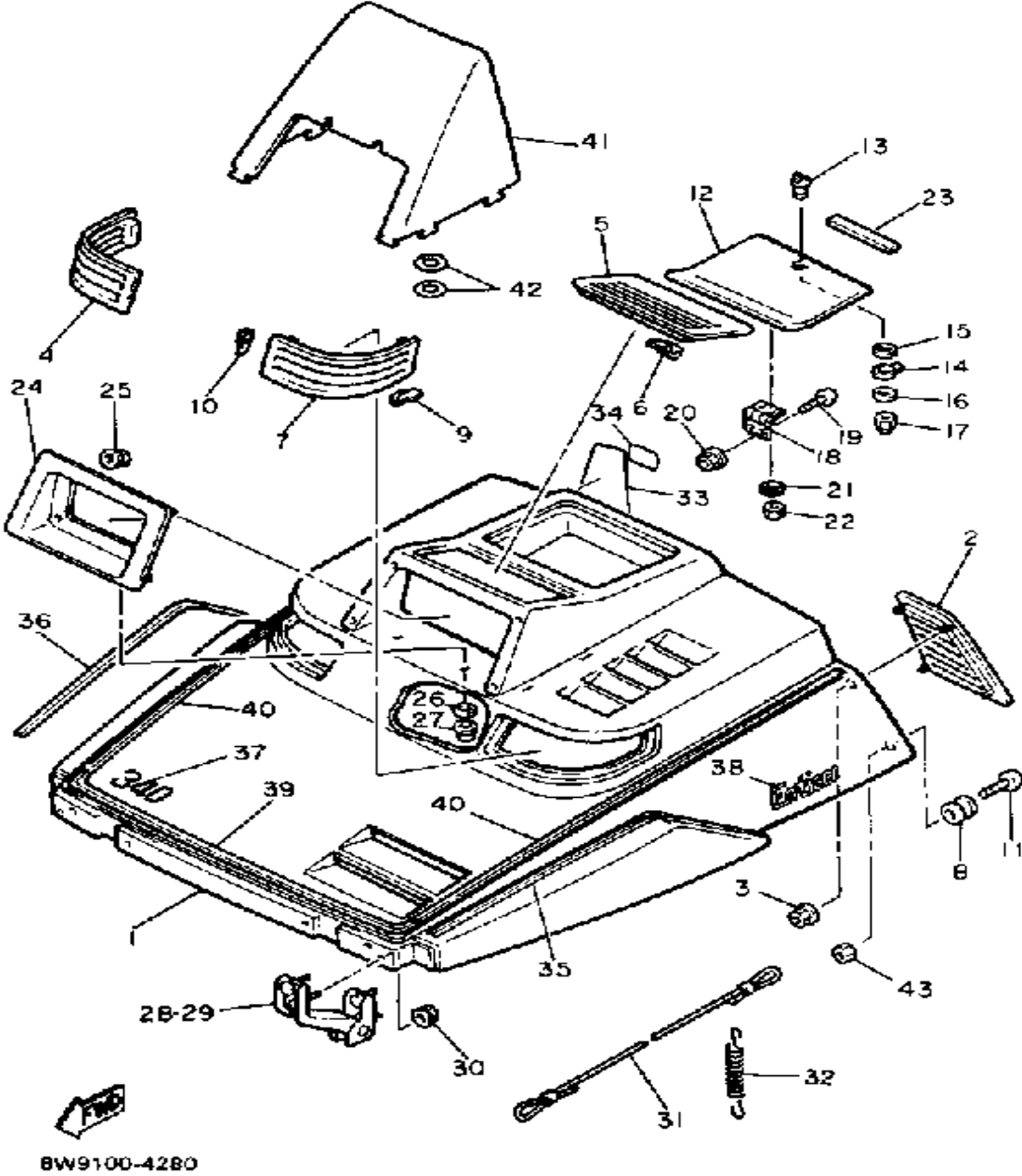


Ref. No.	Part Number	Description	Qty	Remarks
1	8W9-W7711-09-00	SHROUD ASSEMBLY	1	
2	8W8-77131-00-00	LOUVER 1	1	
3	95701-05500-00	NUT, FLANGE	4	
4	8W9-77133-00-00	LOUVER 3	1	
5	8W9-77134-00-00	LOUVER 4	1	
6	90468-05094-00	CLIP	4	
7	8W9-77109-00-00	LOUVER 5	1	
8	8M6-77175-00-00	HOLDER, LATCH	2	
9	90468-05137-00	CLIP	4	
10	90468-05138-00	CLIP	4	
11	98906-06030-00	SCREW, BIND	2	
12	8W9-77392-00-00	COVER, LUGGAGE BOX	1	
13	8L9-77324-00-00	KNOB	1	
14	8K4-77328-00-00	LEVER, arm fitting	1	
15	90201-10119-00	WASHER, PLATE	2	
16	90201-05725-00	WASHER, PLATE	1	
17	95706-05300-00	NUT, nylon	1	
18	8K4-77470-00-00	HINGE ASSEMBLY	2	
19	98586-05016-00	SCREW, PAN HEAD	4	
20	95701-05500-00	NUT, FLANGE	4	
21	92906-05200-00	WASHER, PLAIN	4	
22	95306-05800-00	NUT (CROWN)	4	
23	8W6-77374-00-00	DAMPER 2	1	
24	8W9-84311-00-00	BODY, HEADLIGHT	4	
25	95701-05500-00	NUT, FLANGE	4	
26	90201-04325-00	WASHER, PLATE	2	
27	90183-04012-00	NUT, SPRING	1	
28	8W6-77140-00-00	HINGE ASSEMBLY	1	
29	8W6-7714A-00-00	HINGE ASSEMBLY 2	1	

CONTINUED ON NEXT FRAME ➤

Property of www.SmallEngineDiscount.com - Not for Resale

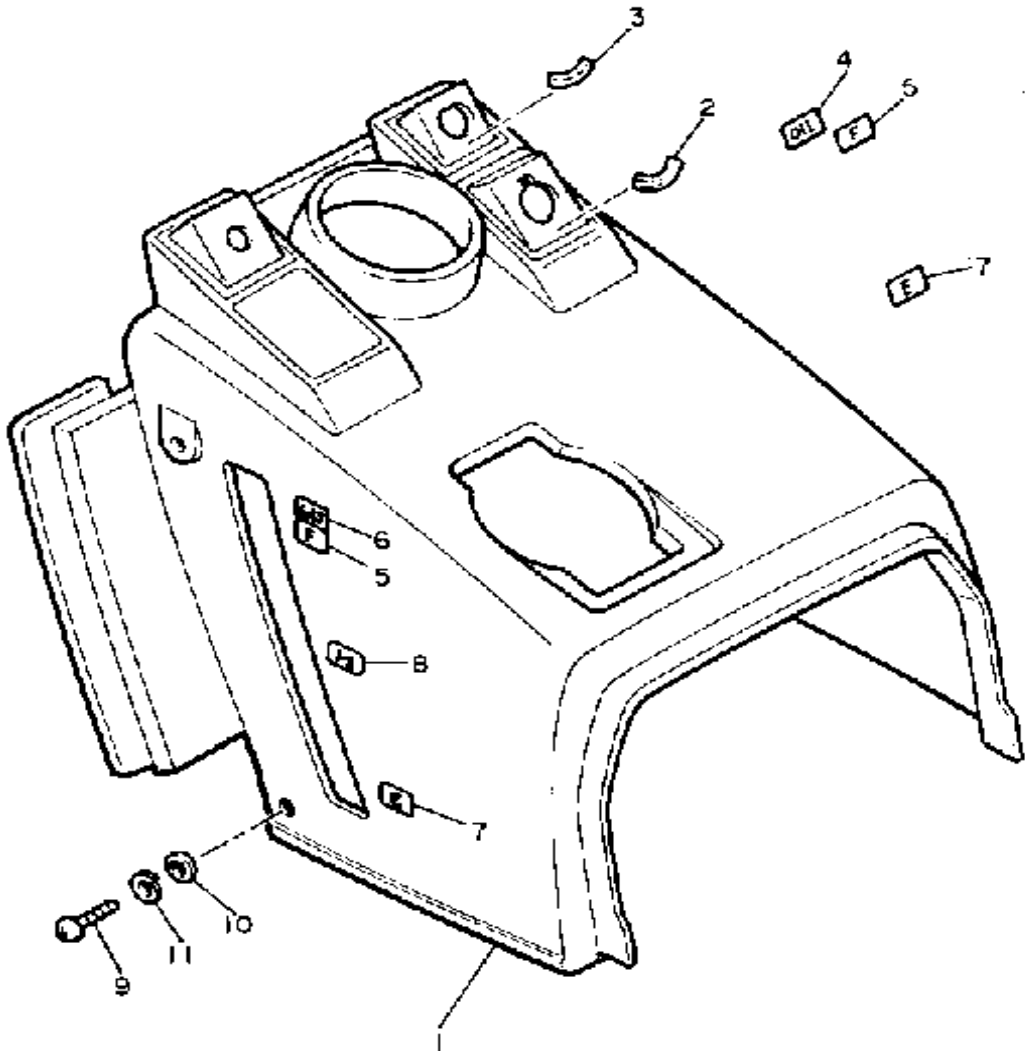
SHROUD - WINDSHIELD



Ref. No.	Part Number	Description	Qty	Remarks
30	95701-06500-00	NUT, FLANGE	8	
31	80X-77118-00-00	STOPPER, SHROUD	1	
32	838-77159-00-00	CLAMP, ROD	1	
33	8W6-77458-00-00	LABEL, WARNING	1	U.R.
34	8A1-77743-00-00	INDICATOR 3	1	
35	8W9-77163-00-00	ORNAMENT 1	1	
36	8W9-77164-00-00	ORNAMENT 2	1	
37	8W9-77351-00-00	EMBLEM 1	1	
38	8W9-77352-00-00	EMBLEM 2	2	
39	8W9-77281-00-00	STRIPE 1	1	
40	8W9-77282-00-00	STRIPE 2	2	
41	8X1-77210-00-00	WIND SHIELD (CLEAR)	1	
42	82H-77223-00-00	FASTNER	12	
43	95701-06500-00	NUT, FLANGE	2	

Property of www.SmallEngineDiscount.com - Not for Resale

INSTRUMENT PANEL

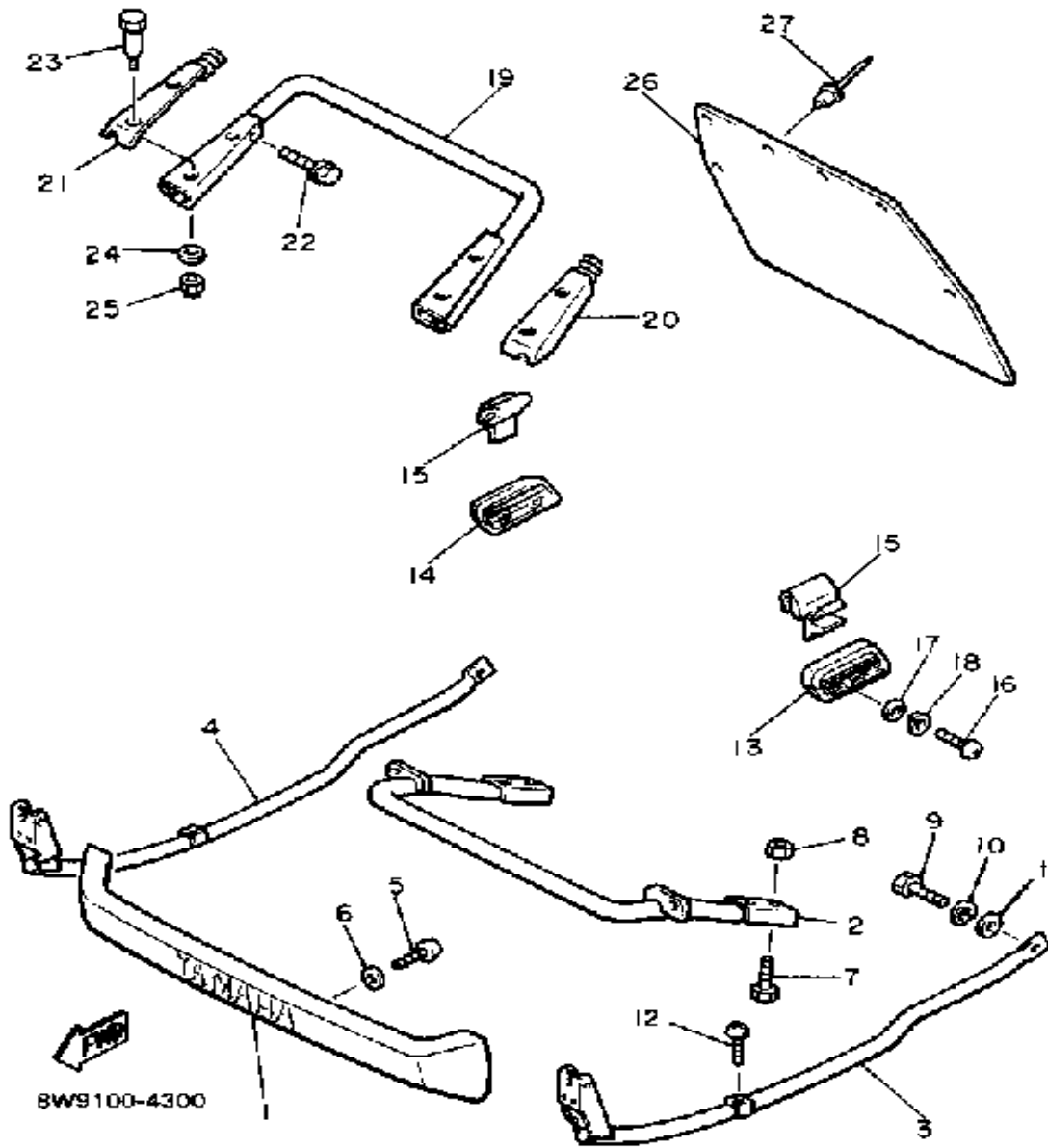


Ref. No.	Part Number	Description	Qty	Remarks
1	8W8-77711-00-00	PANEL, INSTRUMENT	1	
2	8U9-77741-00-00	INDICATOR 1	1	
3	8U9-77742-00-00	INDICATOR 2	1	
4	8G8-77742-00-00	INDICATOR 2	1	
5	878-77744-00-00	INDICATOR 4	2	
6	8A1-77743-00-00	INDICATOR 3	1	
7	878-77745-00-00	INDICATOR 5	2	
8	8A1-77744-00-00	INDICATOR 4	1	
9	98586-05016-00	SCREW, PAN HEAD	4	
10	92906-05100-00	WASHER, SPRING	4	
11	90201-05721-00	WASHER, PLATE	4	

 BW9100-4310

Property of www.SmallEngineDiscount.com - Not for Resale

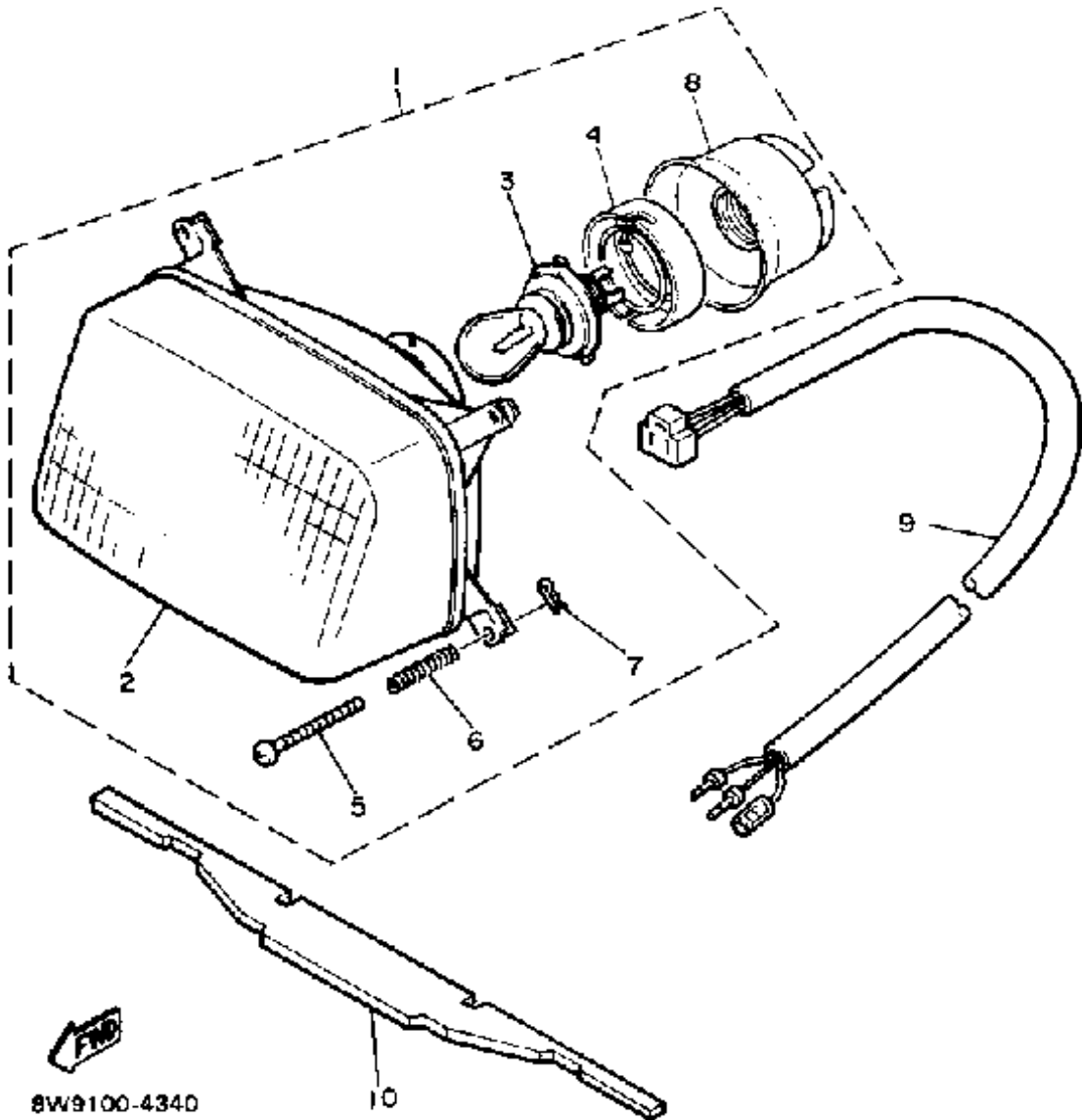
BUMPER



Ref. No.	Part Number	Description	Qty	Remarks
1	8W6-77511-00-00	BUMPER, FRONT 1	1	
2	8W6-77512-00-00	BUMPER, FRONT 2	1	
3	8W6-77513-00-00	BUMPER, FRONT 3	1	
4	8W6-77514-00-00	BUMPER, FRONT 4	1	
5	97780-60116-00	SCREW, TAPPING	5	
6	92990-06200-00	WASHER	5	
7	97026-08035-00	BOLT (TJ)	4	
8	95616-08100-00	NUT, U	4	
9	97016-08016-00	BOLT	2	
10	92906-08100-00	WASHER, SPRING	2	
11	92906-08600-00	WASHER	2	
12	98906-06030-00	SCREW, BIND	2	
13	8W6-77523-00-00	END, BUMPER	1	
14	8W6-77524-00-00	END, BUMPER	1	
15	8W6-77516-00-00	BUSH, RUBBER 2	2	
16	98506-06040-00	SCREW, PAN HEAD	4	
17	92906-06600-00	WASHER	4	
18	92906-06100-00	WASHER, SPRING	4	
19	8W6-77541-00-00	BUMPER, REAR 1	1	
20	8W6-77542-00-00	BUMPER, REAR 2	1	
21	8W6-77543-00-00	BUMPER, REAR 3	1	
22	95811-08012-00	BOLT, FLANGE	4	
23	8W6-77519-00-00	BOLT	4	
24	92906-05200-00	WASHER, PLAIN	4	
25	95306-05800-00	NUT (CROWN)	4	
26	8V9-77595-00-00	FLAP	1	
27	90267-48086-00	RIVET, BLIND	5	

Property of www.SmallEngineDiscount.com - Not for Resale

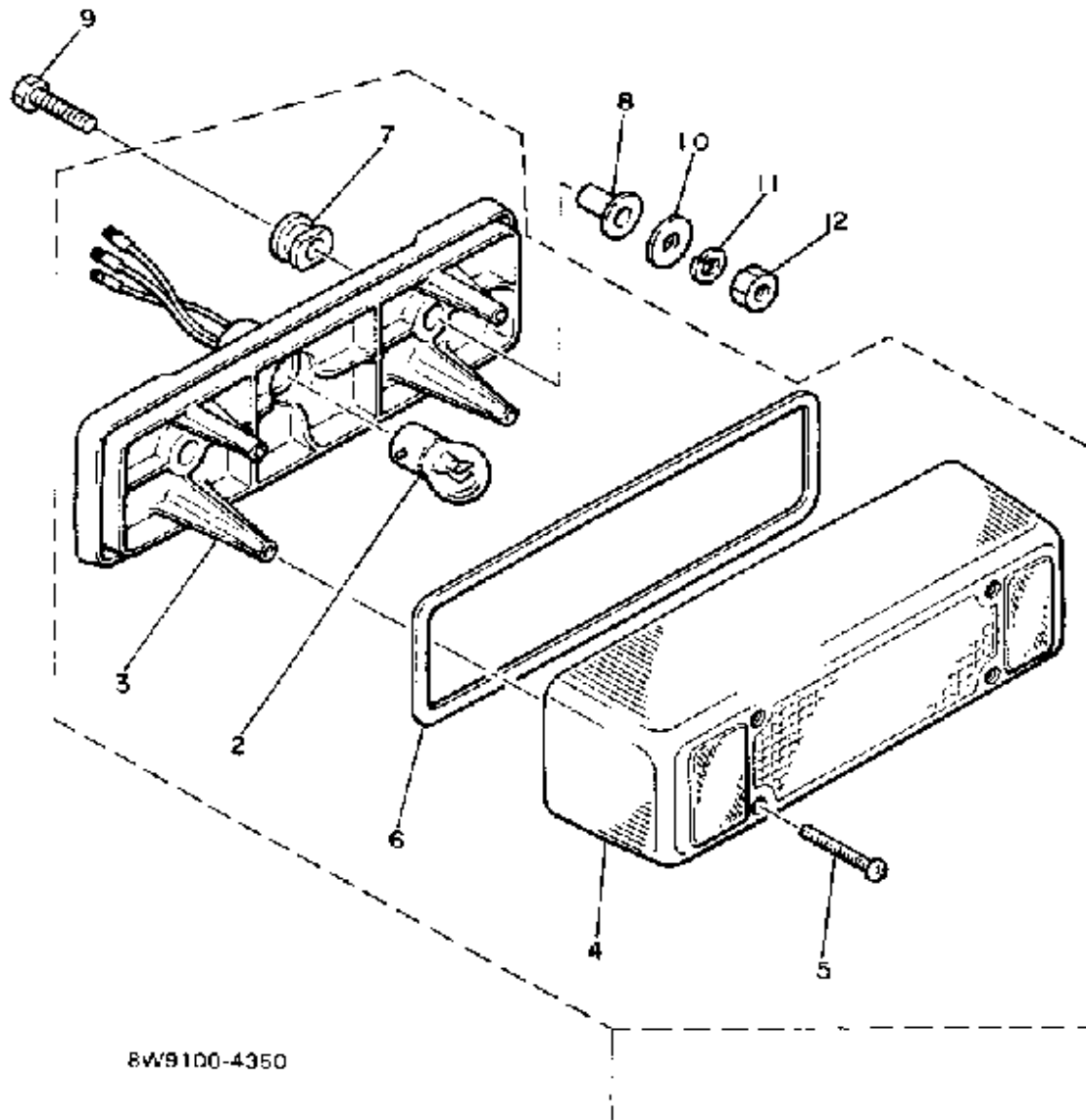
HEADLIGHT



Ref. No.	Part Number	Description	Qty	Remarks
1	8W6-84310-00-00	HEADLIGHT UNIT ASSEMBLY	1	
2	8W6-84320-00-00	. LENS ASSEMBLY	1	
3	8A7-84314-00-00	. BULB (12V-60/60W)	1	
4	8A7-84312-00-00	. HOLDER, SOCKET	1	
5	8M6-84331-00-00	. SCREW, RIM ADJUSTING (8A5-84331-00-00)	4	
6	8A5-84332-00-00	. SPRING, SCREW	4	
7	8K4-84374-00-00	. CLIP	4	
8	8A7-84397-01-00	. COVER, SOCKET	1	
9	8H8-84359-00-00	CORD, HEADLIGHT	1	
10	8W6-84366-00-00	DAMPER, HEADLIGHT 1	1	

Property of www.SmallEngineDiscount.com - Not for Resale

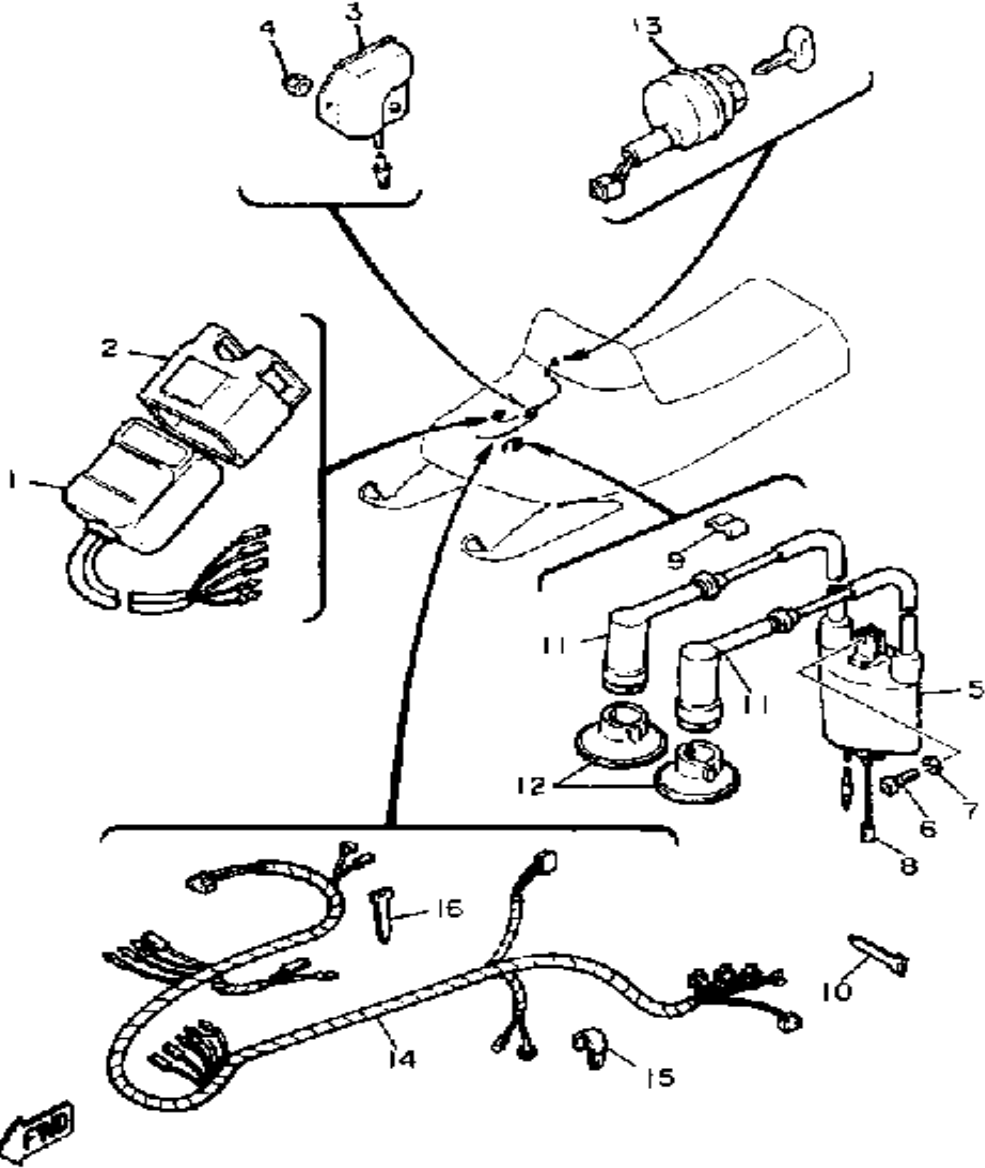
TAILLIGHT



Ref. No.	Part Number	Description	Qty	Remarks
1	8K4-84710-00-00	TAILLIGHT UNIT ASSEMBLY ..	1	
2	137-84714-61-00	. BULB, TL 12V23/8W (J50-83311-00)	1	
3	8K4-84711-00-00	. BASE, TAILLIGHT	1	
4	8K4-84721-00-00	. LENS, TAILLIGHT	1	
5	97780-40130-00	. SCREW, PANHEAD TAPPING (97701-40130-00)	4	
6	87M-84723-00-00	. GASKET, TAIL LENS	1	
7	8K4-84718-00-00	. GROMMET	2	
8	90387-060G8-00	COLLAR	2	
9	97013-06035-00	BOLT	2	
10	90201-06407-00	WASHER, PLATE (90201-06747-00)	4	
11	92995-06100-00	WASHER, SPRING	2	
12	95380-06600-00	NUT	2	

Property of www.SmallEngineDiscount.com - Not for Resale

ELECTRICAL 1



Ref. No.	Part Number	Description	Qty	Remarks
1	8N4-85540-20-00	CDI UNIT ASSEMBLY	1	
2	2A7-85546-00-00	BAND	1	
3	82F-81910-A0-00	VOLTAGE REGULATOR ASSEMBLY	1	
4	95701-06300-00	NUT, NYLON	8	
5	8W3-82310-T0-00	IGNITION COIL ASSEMBLY ...	1	
6	98580-06020-00	SCREW	2	
7	92995-06100-00	WASHER, SPRING	2	
8	87D-82318-00-00	WIRE, SUB-LEAD	1	
9	8W6-82355-00-00	GROMMET 1	1	
10	J45-83936-00-00	BAND, SWITCH CORD	1	
11	8J0-82370-10-00	PLUG CAP ASSEMBLY	2	
12	8G8-82372-00-00	SEAL, PLUG CAP	2	
13	8R4-82508-20-00	MAIN SWITCH ASSEMBLY ...	1	
14	8X1-82590-20-00	WIRE HARNESS ASSEMBLY ..	1	
15	90465-08028-00	CLAMP	2	

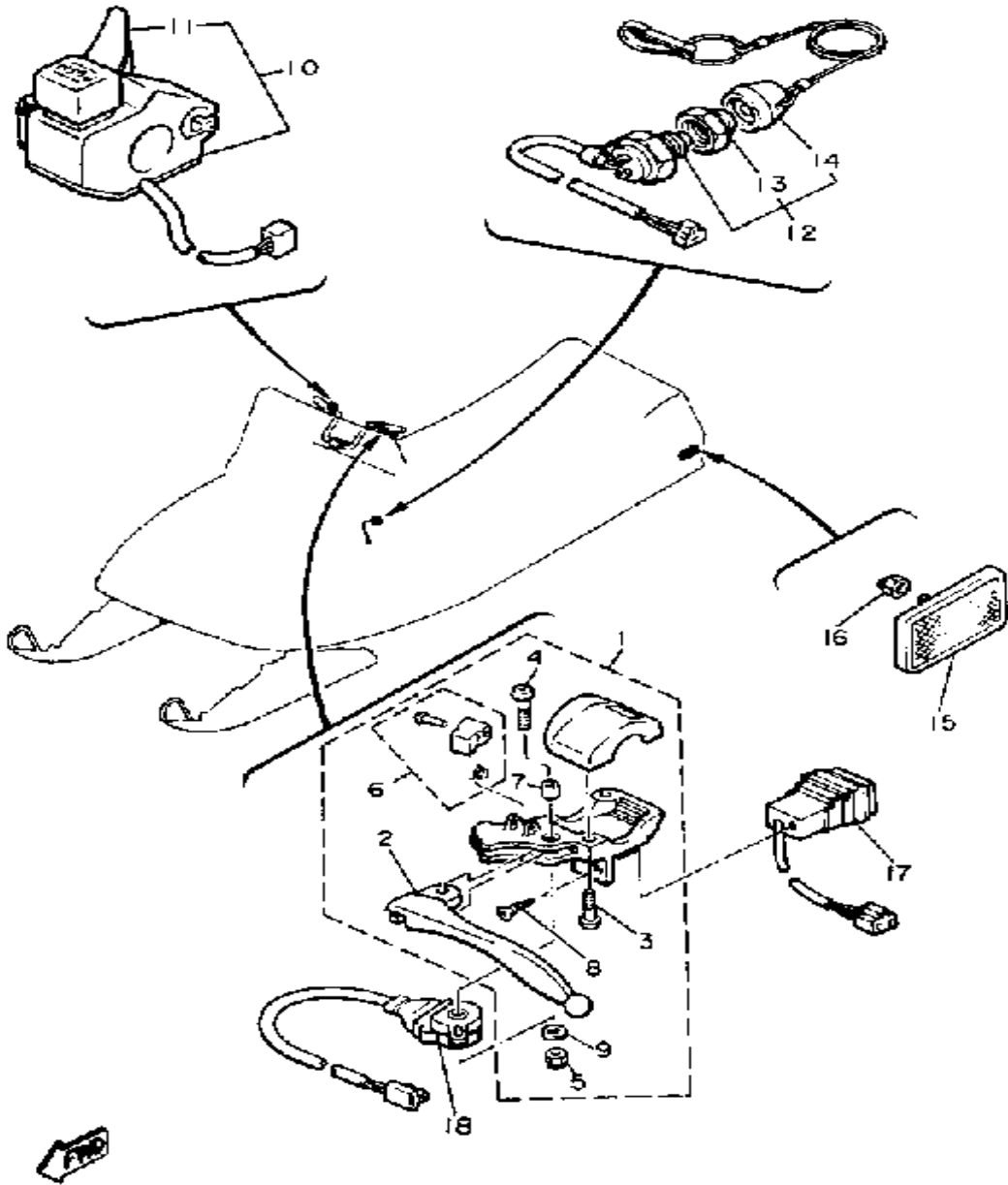
BW9100-4360

Property of www.SmallEngineDiscount.com - Not for Resale

D10

ELECTRICAL 2

Ref. No.	Part Number	Description	Qty	Remarks
1	88R-W8291-00-00	LEVER HOLDER ASSEMBLY (LEFT)	1	
2	8H8-83912-00-00	. LEVER 1	1	
3	90157-05027-00	. SCREW, PAN HEAD	2	
4	98501-05040-00	. SCREW, PAN HEAD (98502-05040)	1	
5	95701-05300-00	. NUT, NYLON	1	
6	82A-83930-00-00	. LEVER LOCK ASSEMBLY	1	
7	802-83913-00-00	. COLLAR, LEVER 1	1	
8	97780-30312-00	. SCREW, tapping	2	
9	92990-05200-00	. WASHER, PLAIN	1	
10	8W6-82720-00-00	LEVER HOLDER ASSEMBLY 2	1	
11	8V0-42138-00-00	. LEVER, THROTTLE	1	
12	8H8-82550-01-00	ENGINE STOP SWITCH ASSEMBLY	1	
13	8H8-82557-00-00	. NUT	1	
14	8H8-82552-09-00	. CAP, SWITCH	1	
15	3Y6-85130-02-00	REAR REFLECTOR ASSEMBLY	2	
16	8H8-83950-01-00	BEAM SWITCH ASSEMBLY (8K4-83950-01-00)	1	
	95701-05300-00	NUT, NYLON	2	
18	88R-82530-00-00	STOP SWITCH ASSEMBLY	1	



8WB100-4370

Property of www.SmallEngineDiscount.com - Not for Resale

ET340H

1984 SERVICE/HIGH ALTITUDE TUNING DATA

MODEL - IBM I.D. NUMBER	ET340H	8W9
Starting Engine Number / Frame Number	E338-148101 / 8W9-148101	

ENGINE - Type / Induction System	2-Stroke, Forced-air Cooled, Piston Port	
Bore / Stroke / Number Cylinders / Displacement	60.0mm / 59.6mm / 2 / 338cc	
Compression Ratio	6.1:1	
Piston Skirt Clearance New / Max	0.040 ~ 0.045mm / 0.10mm	
Ring End Gap Top / 2nd	0.35 ~ 0.55mm / 0.35 ~ 0.55mm	
Ring Groove Clearance Top / 2nd	0.02 ~ 0.06mm / 0.02 ~ 0.06mm	
Coolant Type / Mixing Ratio	∅	

CARBURETOR - Mt. Type / Size / Qty / I.D. Number	Mikuni - B38-34 / 38-34mm / 1 / 8J6-00	
Main Jet / Main Air Jet	240 / ∅	
Slow Jet / Slow Air Jet / Air Screw	∅ / ∅ / ∅	
Pilot Jet / Pilot Screw	75 / 1 Turn Out	
Needle Jet / Jet Needle-Clip Position / Cutaway / Air Jet	∅ / ∅ / ∅ / ∅	
Power Jet / Power Air Jet	∅ / ∅	
Fuel Inlet Valve / Float Level	1.5 / 25 ± 1.0mm	
Idle Speed	1700rpm	

AUTOLUBE - Pump Color / Control Rod Adjustment	White / 25 ± 1mm @ Idle @ Pump Wire Assembly	
Pump Plunger Stroke Min / Max	0.20 ~ 0.25mm / 1.65 ~ 1.87mm	
Output @ 200 Strokes Full Throttle / Idle	4.15 ~ 4.70cc / 0.50 ~ 0.63cc	

DRIVE - Engagement rpm / Shift rpm	3000 ± 100 rpm / 6600 ± 100 rpm	
Belt Length / Width / Wear Limit / IBM Number	1099mm / 31.6mm / 26mm / 820	
Sheave Center-to-center / Offset	266 ± 2mm / 11 ± 1mm	
Primary Spring Color / Length / Rate / Preload	Red / 79.4mm / 1.4 ± 0.1kg/mm / 25kg	
Secondary Spring Preload / Color	160° / None	
Secondary Drive Ratio / Chain Free Play	13-22 / 10 ± 1mm	
Track Width / Tension	15in / 40 ~ 50mm @ 10kg	

CAPACITIES - Chain Case / Gear Case Cap. (Type)	400cc / ∅ (SAE 80W90 API GL-4)	
Fuel Tank Capacity / Type	22.7 Lit / Regular	
Autolube Tank Capacity / Type	2.4 Lit / Yamalube 2	

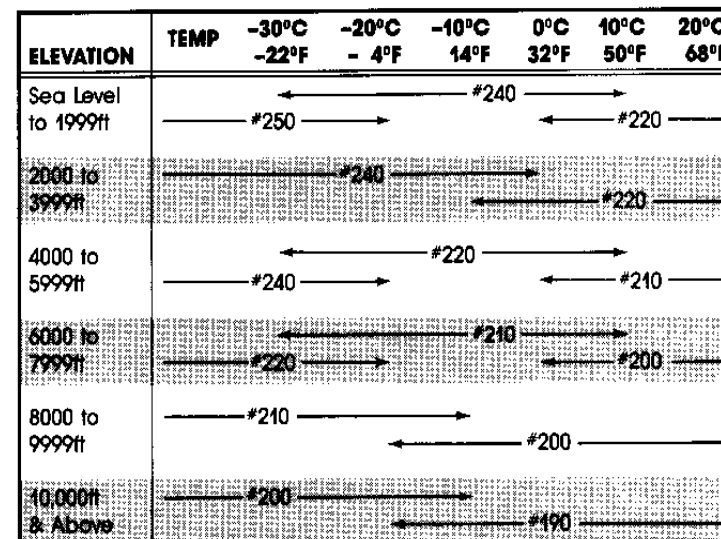
ELECTRICAL - Mt. / Type	Mitsubishi / CDI	
Battery Model / Specific Gravity / Charge Rate	∅	
Charging Coil Color Code / Resistance	∅	
Headlight / Taillight / Meter Light Ratings	12V60-60W / 12V23-8W / 12V3.4W	
Lighting Coil Color Code / Resistance / Output	Yel ~ Blk / 0.19Ω ± 10% / 12V100W	
Handlebar Heater Coil Color Code / Resistance	Yel-Blk ~ Blk / 0.66Ω ± 10%	
Ignition Coil Resistance Primary / Secondary	0.15Ω ± 10% / 3.5KΩ ± 20%	
Source Coil Color Code / Resistance	Brn ~ Blk / 1290Ω ± 10%	
Pulser Coil Color Code / Resistance	Wht-Red ~ Blk / 17Ω ± 10%	
Spark Plug Type / Gap / Torque	NGK BR9ES / 0.7 ~ 0.8mm / 2.75m-kg	
Ignition Timing	1.6mm BTDC	

SERVICE COPY	SER MGR	MECH	MECH	MECH	BINDER
OFFICE COPY	GEN MGR	SALES	PARTS	BINDER	PAGE 1 OF 2

ET340H HIGH ALTITUDE SPECIFICATIONS

	STANDARD SETTING	HIGH ALTITUDE
Idle	1700rpm	Standard
Clutch Engagement	3000 ± 100rpm	3200 ± 100rpm
Shift Speed	6600 ± 100rpm	6400 ± 100rpm
Main Jet	#240	See Setting Chart
Low Speed Mixture Screw	1 Turn Out	3/4 Turn Out
Gear Reduction	13-22	See Sprocket Chart
Clutch Weights	Standard	Above 6000ft: Remove all rivets

MAIN JET SETTING CHART



JET SIZE	PART NUMBER
MAIN	
#250	137-14143-50-00
#230	137-14143-46-00
#220	137-14143-44-00
#210	137-14143-42-00
#200	137-14143-40-00
#190	137-14143-38-00

SPROCKET SELECTION CHART

ELEVATION	DRIVE SPROCKET	DRIVEN SPROCKET
Sea Level ~ 5000ft	Std ~ 12T	Std
4000ft ~ 8000ft	12T ~ 11T	Std
7000ft ~ Above	11T ~ 10T	Std ~ 23T

SPROCKET	PART NUMBER
12T	802-17682-30-00
11T	802-17682-20-00
10T	802-17682-10-00
23T	8G8-47548-30-00

SERVICE LITERATURE

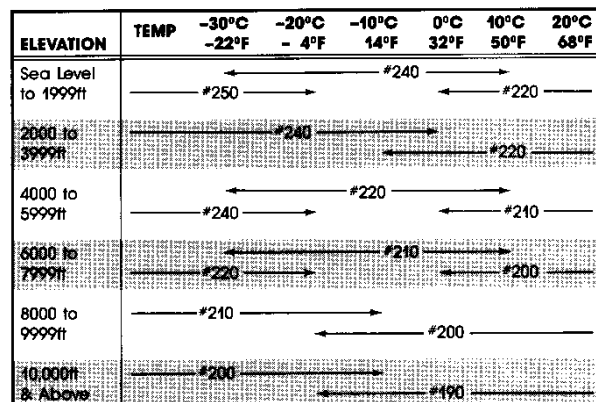
PUBLICATION	PART NUMBER	REMARKS
Owner's Manual	LIT-12628-00-57	Same as EC340G, ET340TG Supp. to Basic Assembly Manual (LIT-11666-00-52)
Service Manual	LIT-12618-00-45	
Assembly Manual	LIT-12668-00-57	

∅ = Does Not Apply To This Model

NA = Information Not Available

ET340H HIGH ALTITUDE SPECIFICATIONS

	STANDARD SETTING	HIGH ALTITUDE
Idle	1700rpm	Standard
Clutch Engagement	3000 ± 100rpm	3200 ± 100rpm
Shift Speed	6600 ± 100rpm	6100 ± 100rpm
Main Jet	#240	See Setting Chart
Low Speed Mixture Screw	1 Turn Out	3/4 Turn Out
Gear Reduction	13-22	See Sprocket Chart
Clutch Weights	Standard	Above 6000ft: Remove all rivets

MAIN JET SETTING CHART


JET SIZE	PART NUMBER
MAIN	
#250	137-14143-50-00
#230	137-14143-46-00
#220	137-14143-44-00
#210	137-14143-42-00
#200	137-14143-40-00
#190	137-14143-38-00

SPROCKET SELECTION CHART

ELEVATION	DRIVE SPROCKET	DRIVEN SPROCKET
Sea Level ~ 5000ft	Std ~ 12T	Std
4000ft ~ 8000ft	12T ~ 11T	Std
7000ft ~ Above	11T ~ 10T	Std ~ 23T

SPROCKET	PART NUMBER
12T	802-17682-30-00
11T	802-17682-20-00
10T	802-17682-10-00
23T	8G8-47548-30-00

SERVICE LITERATURE

PUBLICATION	PART NUMBER	REMARKS
Owner's Manual	LIT-12628-00-57	
Service Manual	LIT-12618-00-45	Same as EC340G, ET340IG
Assembly Manual	LIT-12668-00-57	Supp. to Basic Assembly Manual (LIT-11666-00-52)

∅ = Does Not Apply To This Model

NA = Information Not Available