

**YAMAHA**

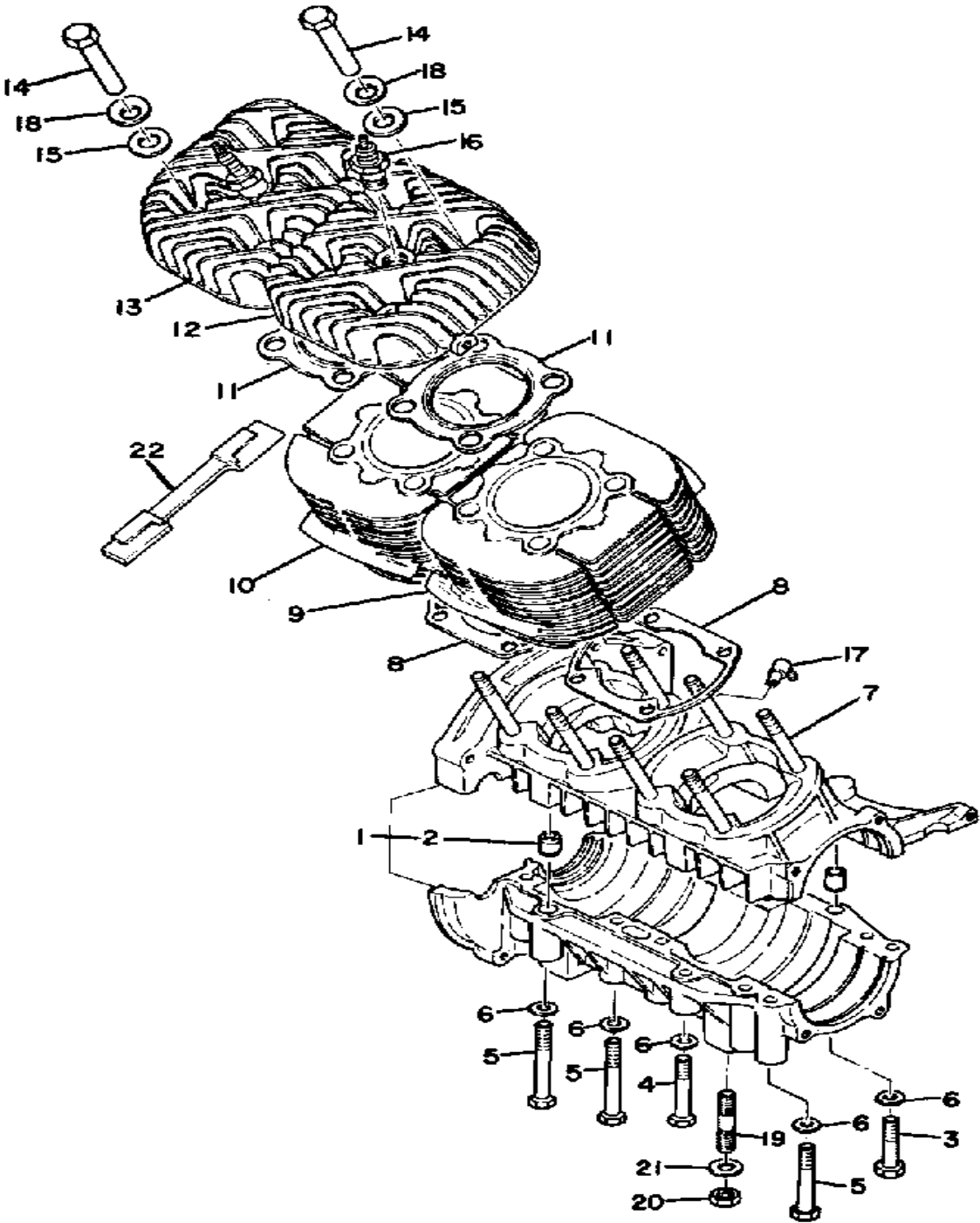
**GENUINE**

**PARTS CATALOGUE**

**SNOWMOBILE**

Property of [www.SmallEngineDiscount.com](http://www.SmallEngineDiscount.com) - Not for Resale

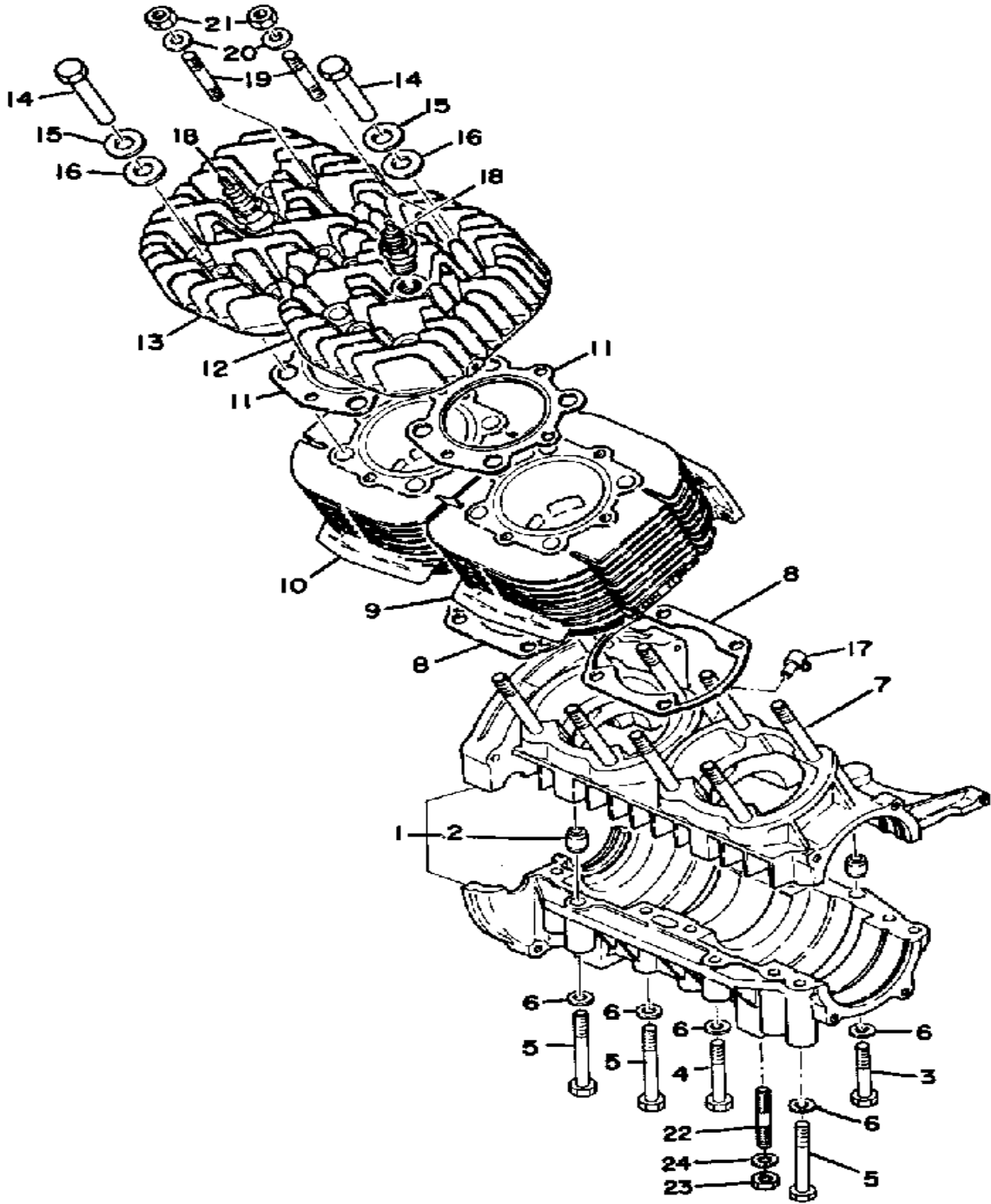
# CRANKCASE - CYLINDER (EX340A)



Ref. No.	Part Number	Description	Qty	Remarks
1	(8A6-15100-00-00)	CRANKCASE ASSEMBLY	1	
2	99510-12016-00	. PIN, DOWEL	2	
3	97313-08050-00	BOLT, HEXAGON (90101-08125)	2	
4	97321-08055-00	BOLT, HEXAGON	1	
5	97021-08070-00	BOLT	11	
6	92901-08600-00	WASHER	14	
7	90116-08064-00	BOLT, STUD	8	
8	846-11351-01-00	GASKET, CYLINDER	2	
9	8A6-11311-00-00	CYLINDER 1	1	
10	8A6-11321-00-00	CYLINDER 2	1	
11	8A6-11181-00-00	GASKET, CYLINDER HEAD 1	2	
12	(8A6-11111-00-00)	HEAD, CYLINDER 1	1	
13	(8A6-11121-00-00)	HEAD, CYLINDER 2	1	
14	90179-08090-00	NUT, SPEC'L SHAPE	8	
15	92990-12200-00	WASHER, PLAIN	8	
16	NGK-B9EV0-00-00	PLUG, SPARK (NGK B9EV)	2	
17	8E4-24461-00-00	PIPE, JOINT	1	
18	90208-12015-00	WASHER, CONICAL SPRING	8	
19	90116-10132-00	BOLT, STUD	4	
20	90185-10030-00	NUT, SELF-LOCKING	4	
21	90201-10322-00	WASHER, PLATE	4	
22	(8A6-11355-00-00)	SEAL, CYLINDER 1	1	

Property of [www.SmallEngineDiscount.com](http://www.SmallEngineDiscount.com) - Not for Resale

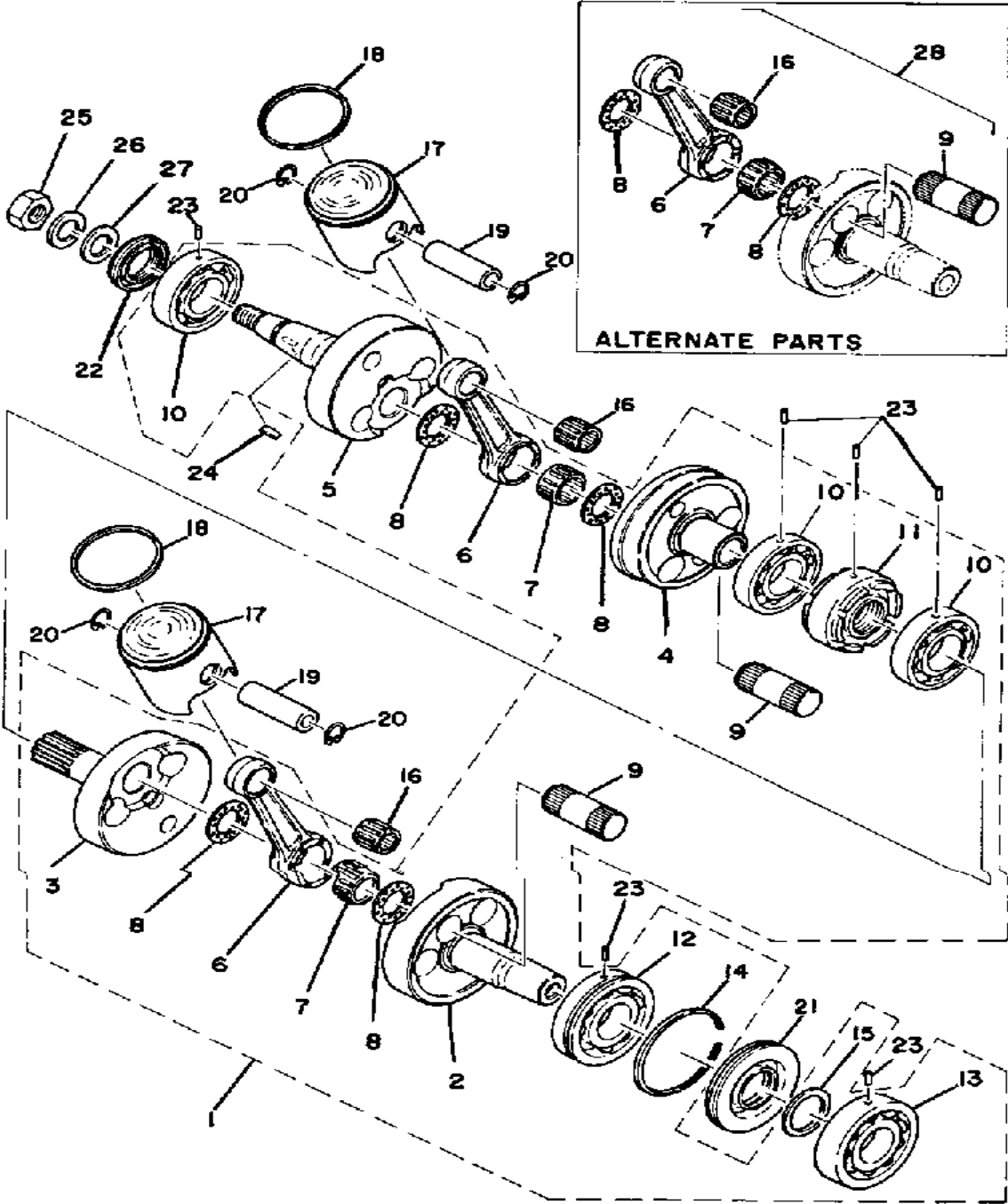
# CRANKCASE - CYLINDER (EX440A)



Ref. No.	Part Number	Description	Qty	Remarks
1	(8A5-15100-00-00)	CRANKCASE ASSEMBLY	1	
2	99510-12016-00	. PIN, DOWEL	2	
3	97313-08050-00	BOLT, HEXAGON (90101-08125)	2	
4	97321-08055-00	BOLT, HEXAGON	1	
5	97021-08070-00	BOLT	11	
6	92901-08600-00	WASHER	14	
7	90116-08064-00	BOLT, STUD	8	
8	857-11351-00-00	GASKET, CYLINDER	2	
9	8A5-11311-01-00	CYLINDER 1	1	
10	8A5-11321-01-00	CYLINDER 2	1	
11	828-11181-70-00	GASKET, CYLINDER HEAD 1	2	
12	8A5-11111-00-00	HEAD, CYLINDER 1	1	
13	8A5-11121-10-00	HEAD, CYLINDER 2	1	
14	90179-08090-00	NUT, SPEC'L SHAPE	8	
15	90208-12015-00	WASHER, CONICAL SPRING	8	
16	92990-12200-00	WASHER, PLAIN	8	
17	8E4-24461-00-00	PIPE, JOINT	1	
18	NGK-B9EV0-00-00	PLUG, SPARK (NGK B9EV)	2	
19	(95611-08650-00)	BOLT, STUD	8	
20	90201-08100-00	WASHER, PLATE	8	
21	95333-08600-00	NUT	8	
22	90116-10132-00	BOLT, STUD	4	
23	90185-10030-00	NUT, SELF-LOCKING	4	
24	90201-10322-00	WASHER, PLATE	4	

Property of [www.SmallEngineDiscount.com](http://www.SmallEngineDiscount.com) - Not for Resale

# CRANK - PISTON

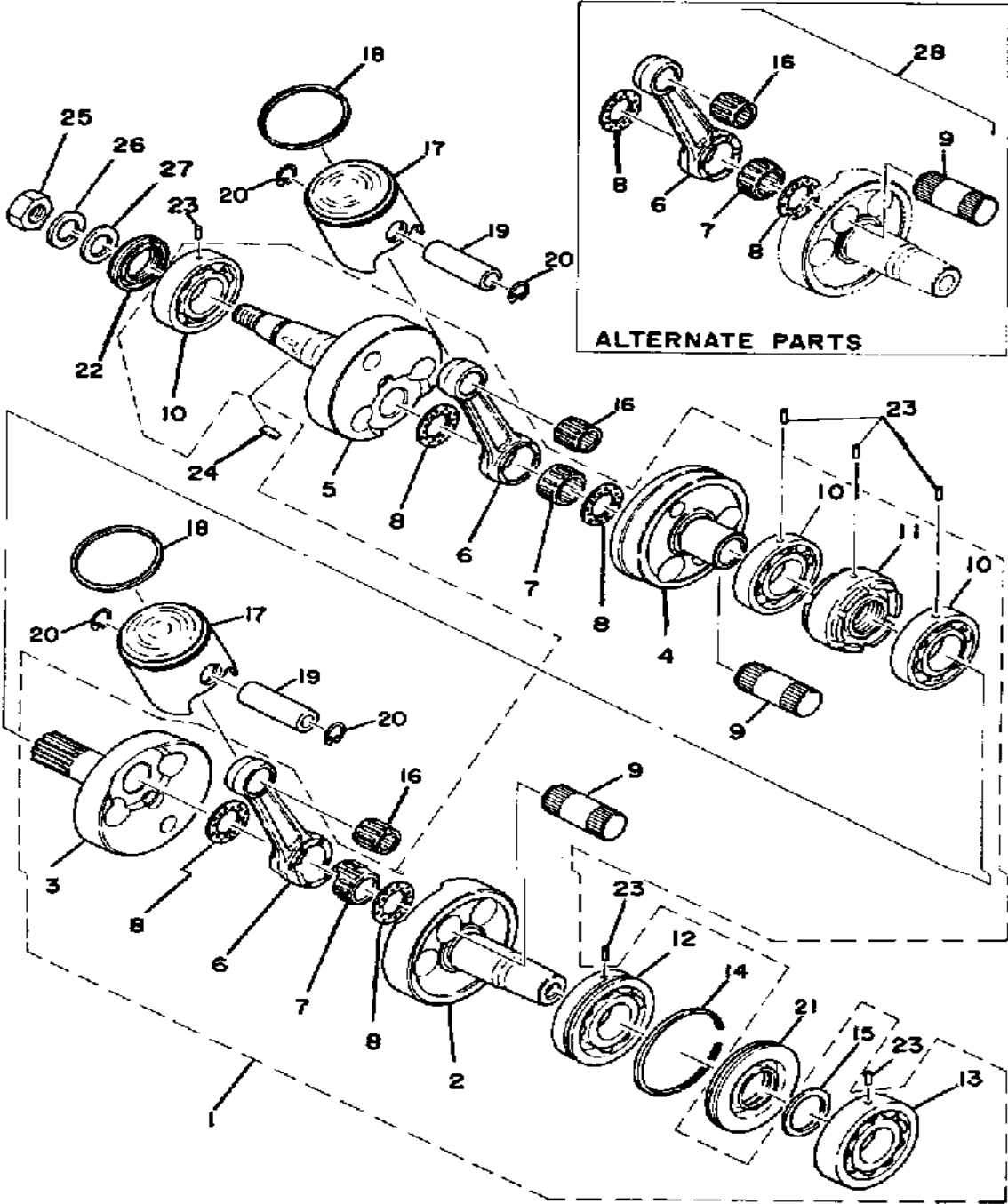


Ref. No.	Part Number	Description	Qty	Remarks
1	8A5-11400-00-00	CRANKSHAFT ASSEMBLY ...	1	
2	8A5-11412-00-00	. CRANK 1 .....	1	
3	(821-11422-01-00)	CRANK 2 .....	1	
4	(821-11432-01-00)	CRANK 3 .....	1	
5	(821-11442-00-00)	CRANK 4 .....	1	
6	8A7-11651-00-00	. ROD, CONNECTING (838-11651-00) .....	2	
7	93310-42497-00	. BEARING, CYLINDER.# 0 ...	2	
8	90209-24073-00	. WASHER .....	4	
9	857-11681-00-00	. PIN, CRANK 1 .....	2	
10	93306-20633-00	. BEARING .....	3	
11	8A5-11515-00-00	. SEAL, LABYRINTH 1 .....	1	
12	93306-30612-00	. BEARING (B6306) .....	1	
13	93306-30625-00	. BEARING .....	1	
14	93440-78011-00	. CIRCLIP, OUTER .....	1	
15	90201-34683-00	. WASHER, PLATE (90201-33299-00) .....	1	
16	93310-218A6-00	BEARING .....	2	
17	(8A6-11636-01-00)	PISTON 2 O/S 0.0 .....	2	AP
	(8A6-11638-01-00)	PISTON 4 O/S 1.0 .....	2	AP
	8A5-11631-01-96	PISTON STD .....	2	UR
	8A5-11635-01-00	PISTON 1 O/S 0.25 (8A5-11635-00) .....	2	AP
	8A5-11636-01-00	PISTON 2 O/S 0.50 (8A5-11636-00) .....	2	AP
	8A5-11637-01-00	PISTON 3 O/S 0.75 (8A5-11637-00) .....	2	AP
	8A5-11638-01-00	PISTON 4 O/S 1.0 .....	2	AP
	8A6-11631-01-96	PISTON STD .....	2	UR
	8A6-11635-01-00	PISTON 1 O/S 0.5 .....	2	AP

CONTINUED ON NEXT FRAME ➤

Property of [www.SmallEngineDiscount.com](http://www.SmallEngineDiscount.com) - Not for Resale

# CRANK - PISTON

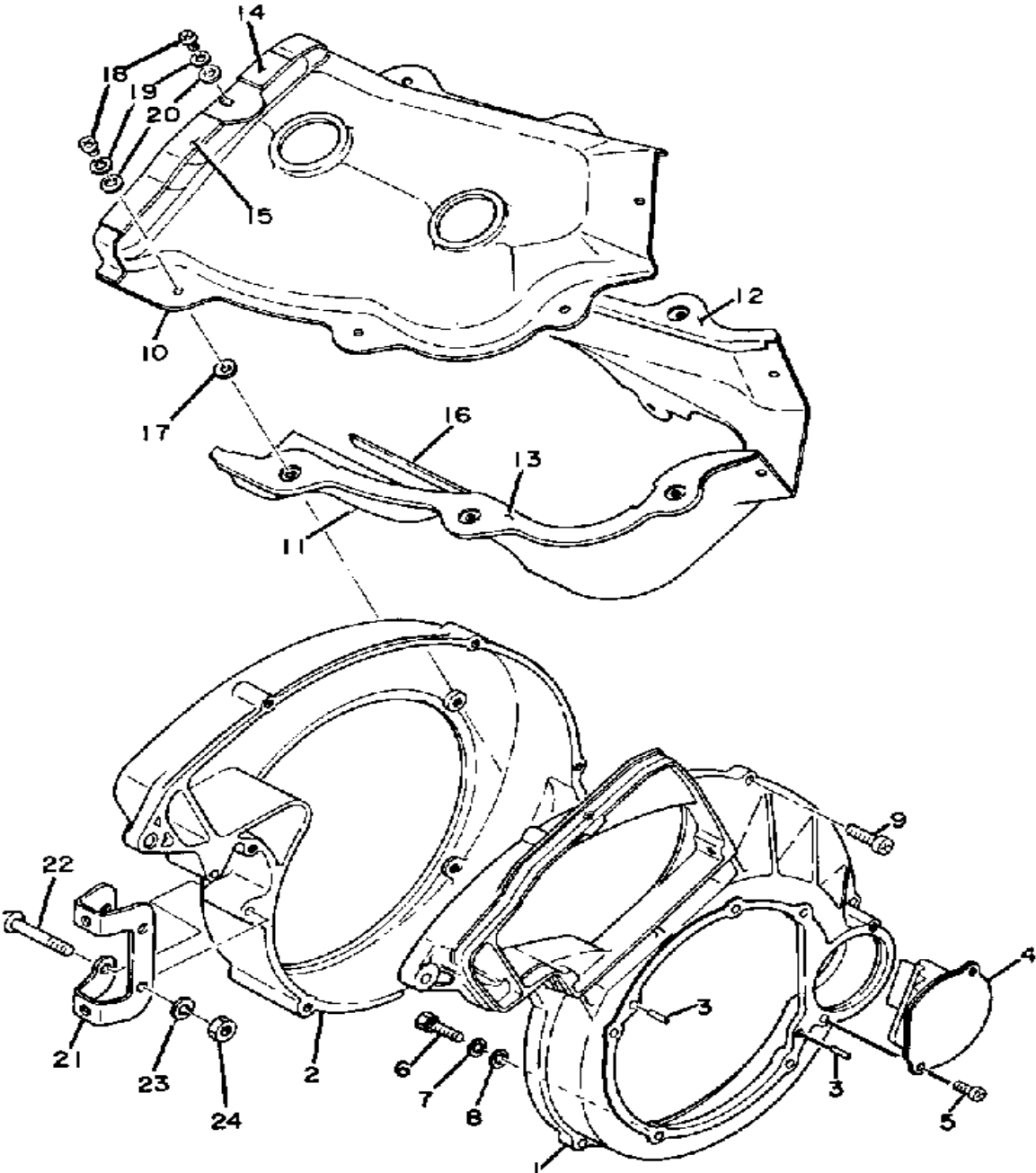


Ref. No.	Part Number	Description	Qty	Remarks
17	8A6-11637-01-00	PISTON 3 O/S 0.5	2	AP
18	(846-11611-30-00)	RING, PISTON 3RD	2	AP
	820-11611-00-00	RING, PISTON (STD)	2	
	820-11611-10-00	RING, PISTON (1ST O.S)	2	AP
	820-11611-20-00	RING, PISTON (2ND O.S)	2	AP
	820-11611-30-00	RING, PISTON 3RD	2	AP
	820-11611-40-00	RING, PISTON 4TH	2	AP
	846-11611-00-00	RING, PISTON	2	
	846-11611-10-00	RING, PISTON 1ST	2	AP
	846-11611-20-00	RING, PISTON 2ND	2	AP
	846-11611-40-00	RING, PISTON 4TH	2	AP
19	168-11633-00-00	PIN, PISTON	2	
	818-11633-00-00	PIN, PISTON	2	
20	93450-20026-00	CIRCLIP	4	
21	93103-32095-00	OIL SEAL	1	
22	93013-32156-00	UNAVAILABLE IN PRICE BOOK (93103-32107)	1	
23	93604-12037-00	PIN, DOWEL	4	
24	90280-05014-00	KEY, WOODRUFF	1	
25	90170-16182-00	NUT	1	
26	92901-16100-00	WASHER, SPRING	1	
27	90201-16247-00	WASHER, PLATE (807-11557-00)	1	

Property of [www.SmallEngineDiscount.com](http://www.SmallEngineDiscount.com) - Not for Resale



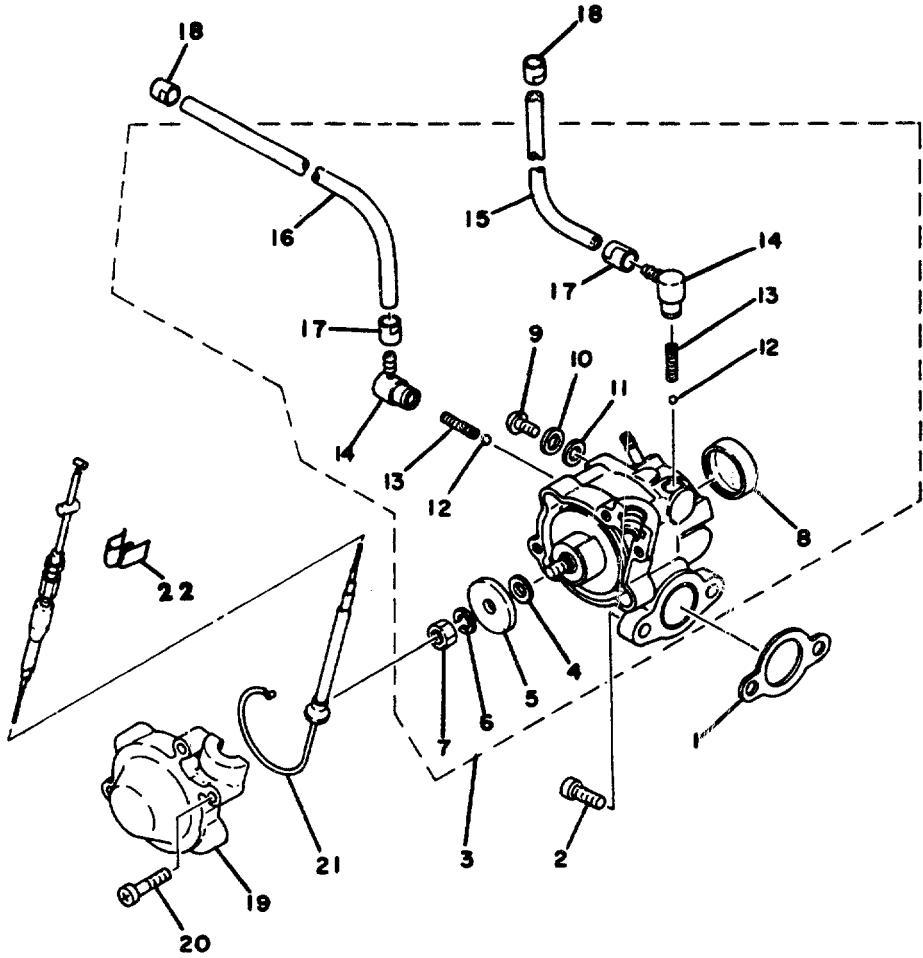
# AIR SHROUD - FAN



Ref. No.	Part Number	Description	Qty	Remarks
1	(838-12621-00-00)	CASE, FAN .....	1	
2	838-12622-00-00	CASE, FAN 2 .....	1	
3	93604-12037-00	PIN, DOWEL .....	2	
4	(821-12633-00-00)	PLATE .....	1	
5	98580-05010-00	SCREW, PAN HEAD .....	2	
6	97011-06025-00	BOLT (97001-06025) .....	5	
7	92995-06100-00	WASHER, SPRING .....	5	
8	92901-06600-00	WASHER .....	5	
9	98506-06025-00	SCREW, PAN HEAD .....	6	
10	8A1-12651-00-00	AIR SHROUD, CYLINDER 1 ...	1	
11	(866-12652-01-00) (8A6-12652-00-00)	AIR SHROUD, CYLINDER 2 ...	1	
12	(8A1-12658-00-00)	DAMPER, AIR SHRD 1 .....	1	
13	(8A1-12659-00-00)	DAMPER, AIR SHRD 2 .....	1	
14	(8A1-12668-00-00)	DAMPER, AIR SHRD 3 .....	1	
15	(8A1-12669-00-00)	DAMPER, AIR SHRD 4 .....	1	
16	(8A1-12678-00-00)	DAMPER, SHROUD 5 .....	1	
17	(90201-08568-00)	WASHER, PLATE .....	5	
18	98516-06012-00	SCREW, PAN HEAD .....	10	
19	92906-06100-00	WASHER, SPRING .....	10	
20	92906-06600-00	WASHER .....	10	
21	ø82-71264-10-00	UNAVAILABLE IN PRICE BOOK	1	
22	98580-06545-00	SCREW PAN HEAD (92503-06045) .....	2	
23	92995-06100-00	WASHER, SPRING .....	2	
24	95380-06600-00	NUT .....	2	

Property of [www.SmallEngineDiscount.com](http://www.SmallEngineDiscount.com) - Not for Resale

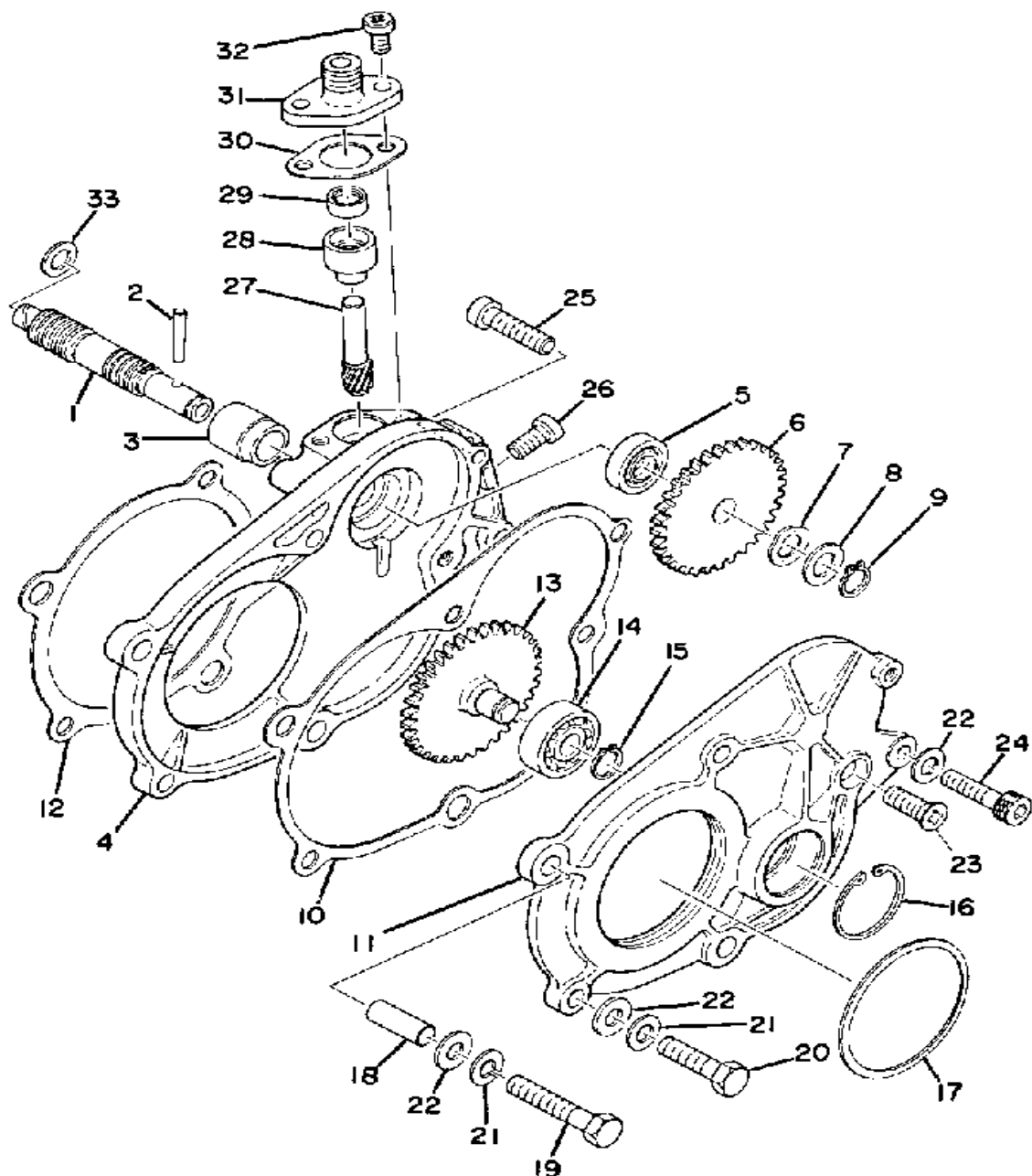
# OIL PUMP



Ref. No.	Part Number	Description	Qty	Remarks
1	3MT-13116-00-00	GASKET, PUMP CASE (8Y0-13116-00)	1	
2	98580-05016-00	SCREW, PAN HEAD	2	
3	8G6-13101-00-00	OIL PUMP ASSEMBLY	1	
	8G7-13101-00-00	OIL PUMP ASSEMBLY	1	
4	137-13137-00-03	. SHIM (0.3T)	1	UR
	137-13137-00-05	. SHIM (0.5T)	1	UR
	137-13137-00-10	. SHIM (1.0T)	1	UR
5	137-13138-01-00	. PLATE, ADJUSTING	1	
6	92990-05100-00	. WASHER, SPRING	1	
7	95380-05600-00	. NUT	1	
8	90338-21100-00	. PLUG	1	
9	90157-04009-00	. SCREW, PAN HEAD	1	
10	92901-04600-00	. WASHER, PLATE	1	
11	90430-04004-00	. GASKET	1	
12	93505-32002-00	. BALL	2	
13	90501-02018-00	. SPRING, COMPRESSION	2	
14	353-13552-01-00	. NOZZLE	2	
15	90445-05372-00	. HOSE	1	
16	90445-052F5-00	. HOSE	1	
17	90468-02033-00	. CLIP	2	
18	90468-02033-00	CLIP	2	
19	8A5-13146-01-00	COVER, ADJUST PULLEY	1	
20	98506-04018-00	SCREW, PAN HEAD	3	
21	8A5-26320-02-00	PUMP CABLE ASSEMBLY (8GG6-26320-00)	1	
22	90468-15020-00	CLIP	1	

Property of [www.SmallEngineDiscount.com](http://www.SmallEngineDiscount.com) - Not for Resale

# PUMP DRIVE GEAR



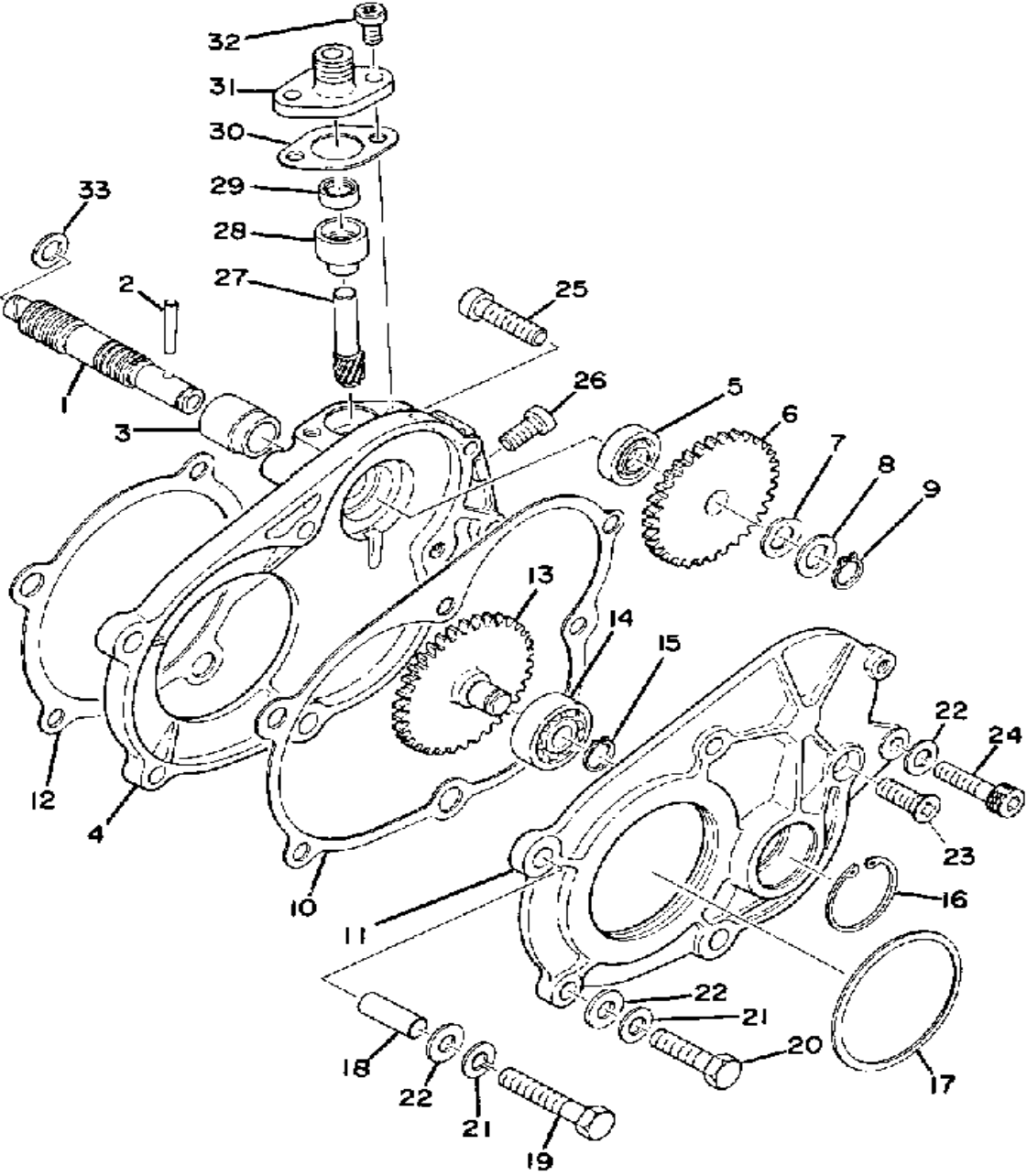
Ref. No.	Part Number	Description	Qty	Remarks
1	821-13175-00-00	SHAFT, WORM	1	
	866-13175-00-00	SHAFT, WORM	1	
2	93603-22028-00	PIN, DOWEL	1	
3	821-13176-00-00	METAL, WORM SHAFT OUTER	1	
4	(8A5-15416-00-00)	COVER, OIL PUMP	1	
5	93101-10090-00	OIL SEAL	1	
6	821-13188-00-00	GEAR, DRIVE (32T)	1	
7	90206-11016-00	WASHER, WAVE	1	
8	137-13148-00-00	PLATE, CAM THRUST	1	
9	99009-10400-00	CIRCLIP	1	
10	859-15466-00-00	GASKET 2	1	
11	838-15426-00-00	COVER, OIL PUMP R	1	
12	838-15456-00-00	GASKET, O/PMP CVR 1	1	
13	(821-13179-00-00)	GEAR, IDLE	1	
14	93306-00002-00	BEARING (B6000RS)	1	
15	99009-10400-00	CIRCLIP	1	
16	93420-26024-00	CIRCLIP, R-TYPE (R-26)	1	
17	838-13119-00-00	UNAVAILABLE IN PRICE BOOK	1	
18	91810-18022-00	PIN, DOWEL	2	
19	97013-06035-00	BOLT	2	
20	97011-06025-00	BOLT (97001-06025)	2	
21	92995-06100-00	WASHER, SPRING	4	
22	92901-06600-00	WASHER	5	
23	98701-06015-00	SCREW, FLAT HEAD (92701-06015)	1	
24	91316-06025-00	BOLT	1	
25	98511-06025-00	SCREW PAN HEAD (92501-06025)	1	
26	98580-06012-00	SCREW, PAN HEAD	1	

CONTINUED ON NEXT FRAME ►

Property of [www.SmallEngineDiscount.com](http://www.SmallEngineDiscount.com) - Not for Resale



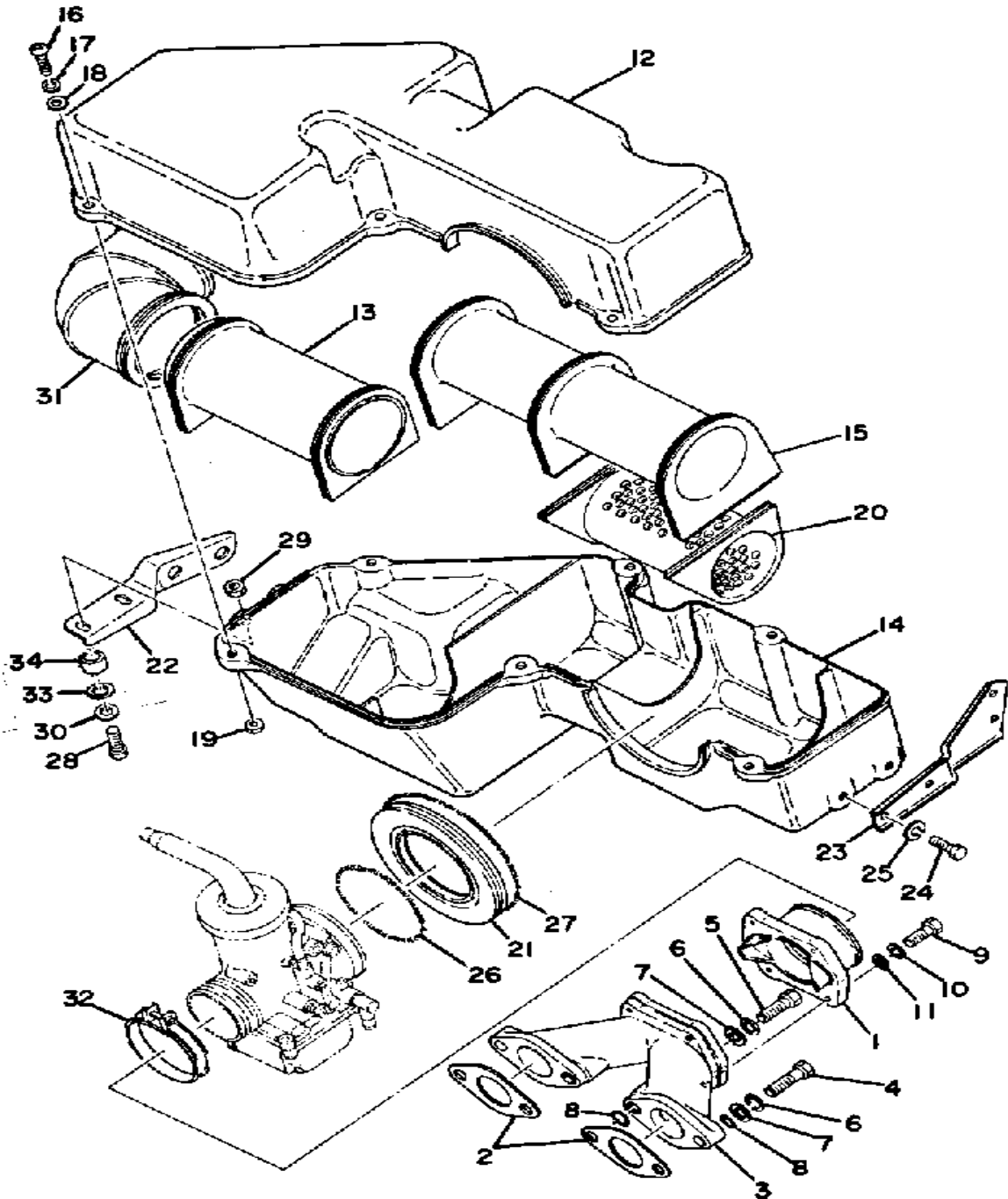
# PUMP DRIVE GEAR



Ref. No.	Part Number	Description	Qty	Remarks
27	813-17841-00-00	GEAR, DRIVEN (10T)	1	
28	821-17843-00-00	BUSH, DRIVEN GEAR OUTER	1	
29	93104-06033-00	OIL SEAL	1	
30	821-17818-02-00	GASKET	1	
31	821-17819-00-00	CAP, HOUSING	1	
32	98580-05010-00	SCREW, PAN HEAD	2	
33	90201-08624-00	WASHER, PLATE	1	

Property of [www.SmallEngineDiscount.com](http://www.SmallEngineDiscount.com) - Not for Resale

# INTAKE (EX340A)

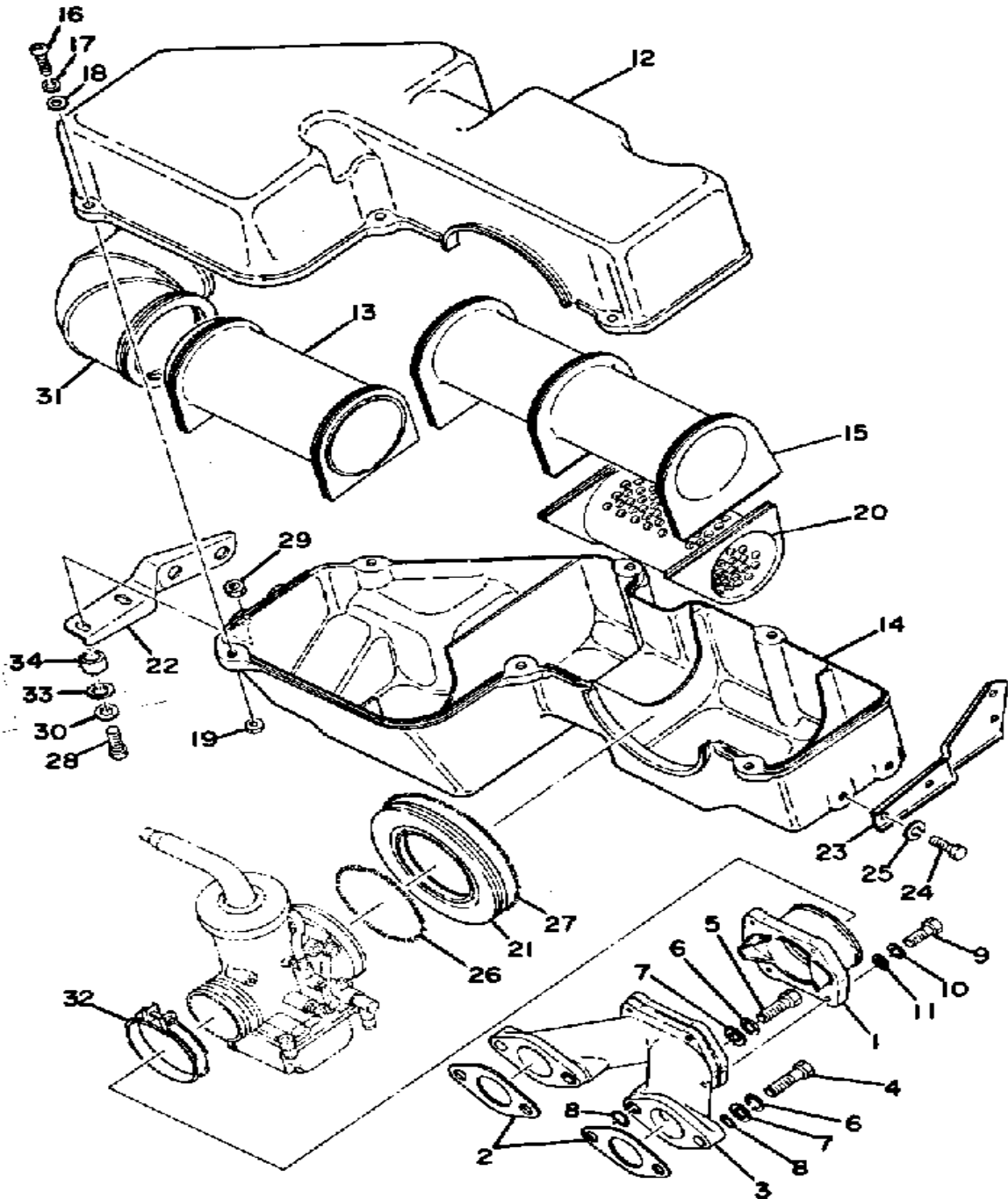


Ref. No.	Part Number	Description	Qty	Remarks
1	8A6-13555-00-00	MANIFOLD, INTAKE	1	
2	810-13563-00-00	GASKET	2	
3	(8A6-13565-00-00)	JOINT, CARBURETOR	1	
4	97313-08030-00	BOLT, HEXAGON	2	
5	91316-08025-00	BOLT, SOCKET HEAD	2	
6	92990-08100-00	WASHER	4	
7	92901-08600-00	WASHER	4	
8	93210-07540-00	O-RING	2	
9	97011-06025-00	BOLT (97001-06025)	4	
10	92995-06100-00	WASHER, SPRING	4	
11	92901-06600-00	WASHER	4	
12	8A5-14431-00-00	SILENCER, INTAKE 1	1	
13	8A5-14419-00-00	PIPE	1	
14	8A5-14441-00-00	SILENCER, INTAKE 2	1	
15	(8A5-14465-00-00)	PIPE	1	
16	98506-05018-00	SCREW, PAN HEAD	6	
17	92990-05100-00	WASHER, SPRING	6	
18	92901-05600-00	WASHER, PLATE	6	
19	95306-05600-00	NUT	6	
20	(8A6-14466-00-00)	PIPE	1	
21	8A5-14453-00-00	JOINT, AIR CLNR 1	1	
22	(8A5-14493-00-00)	STAY 1	1	
23	(8A5-14494-00-00)	STAY 2	1	
24	97013-06012-00	BOLT	4	
25	92995-06100-00	WASHER, SPRING	4	
26	90506-06083-00	SPRING, TENSION	1	
27	90506-06131-00	SPRING, TENSION	1	
28	97011-06020-00	BOLT	2	
29	95601-06100-00	NUT, U	2	

CONTINUED ON NEXT FRAME ➤

Property of [www.SmallEngineDiscount.com](http://www.SmallEngineDiscount.com) - Not for Resale

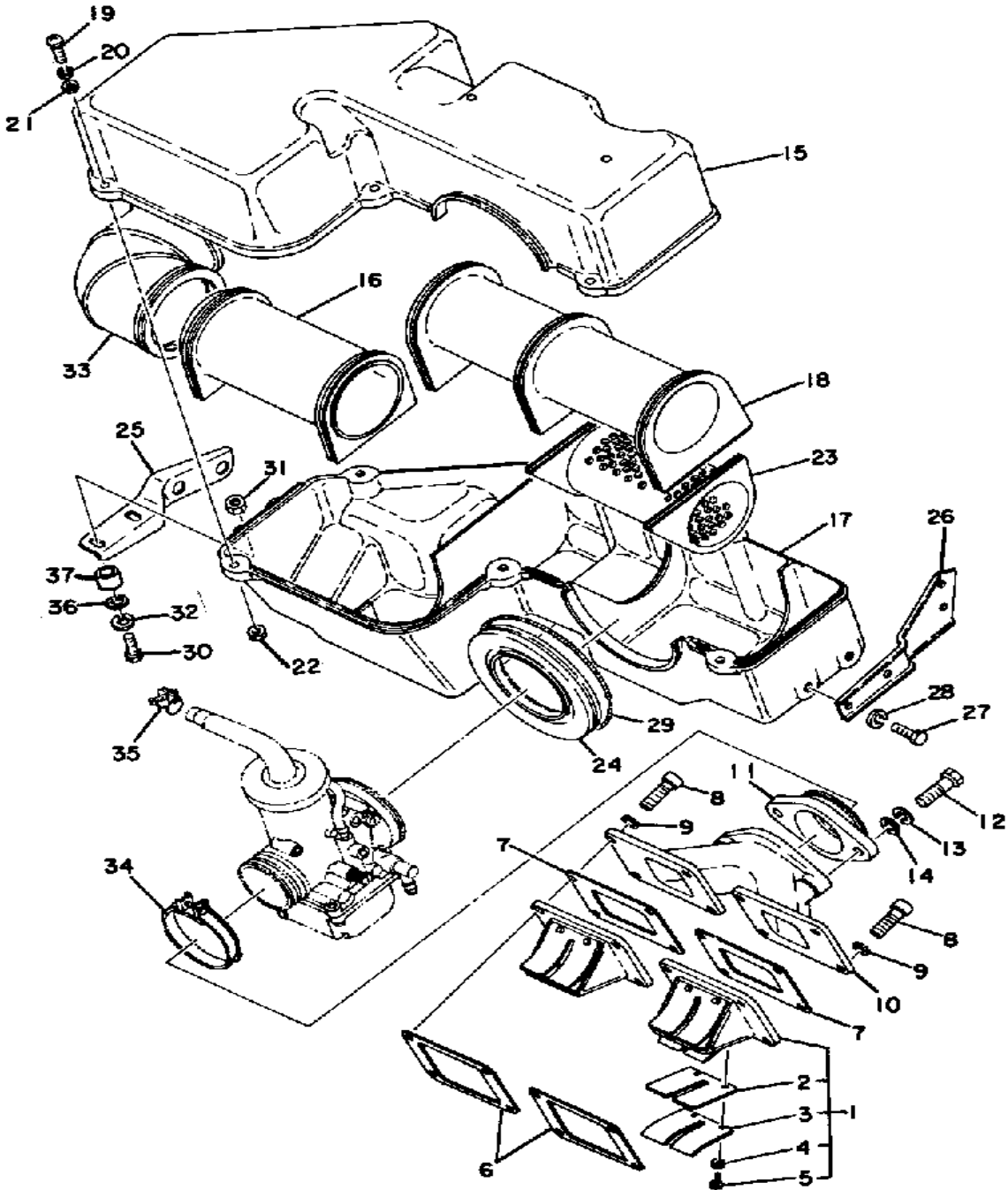
# INTAKE (EX340A)



Ref. No.	Part Number	Description	Qty	Remarks
30	92990-06200-00	WASHER .....	2	
31	8A5-14423-00-00	PIPE, SUCTION 1 .....	1	
32	86M-13575-00-00	BAND .....	1	
33	90201-065F3-00	WASHER, PLATE .....	2	
34	90387-064W1-00	COLLAR (90387-066J9) .....	2	

Property of [www.SmallEngineDiscount.com](http://www.SmallEngineDiscount.com) - Not for Resale

# INTAKE (EX440A)

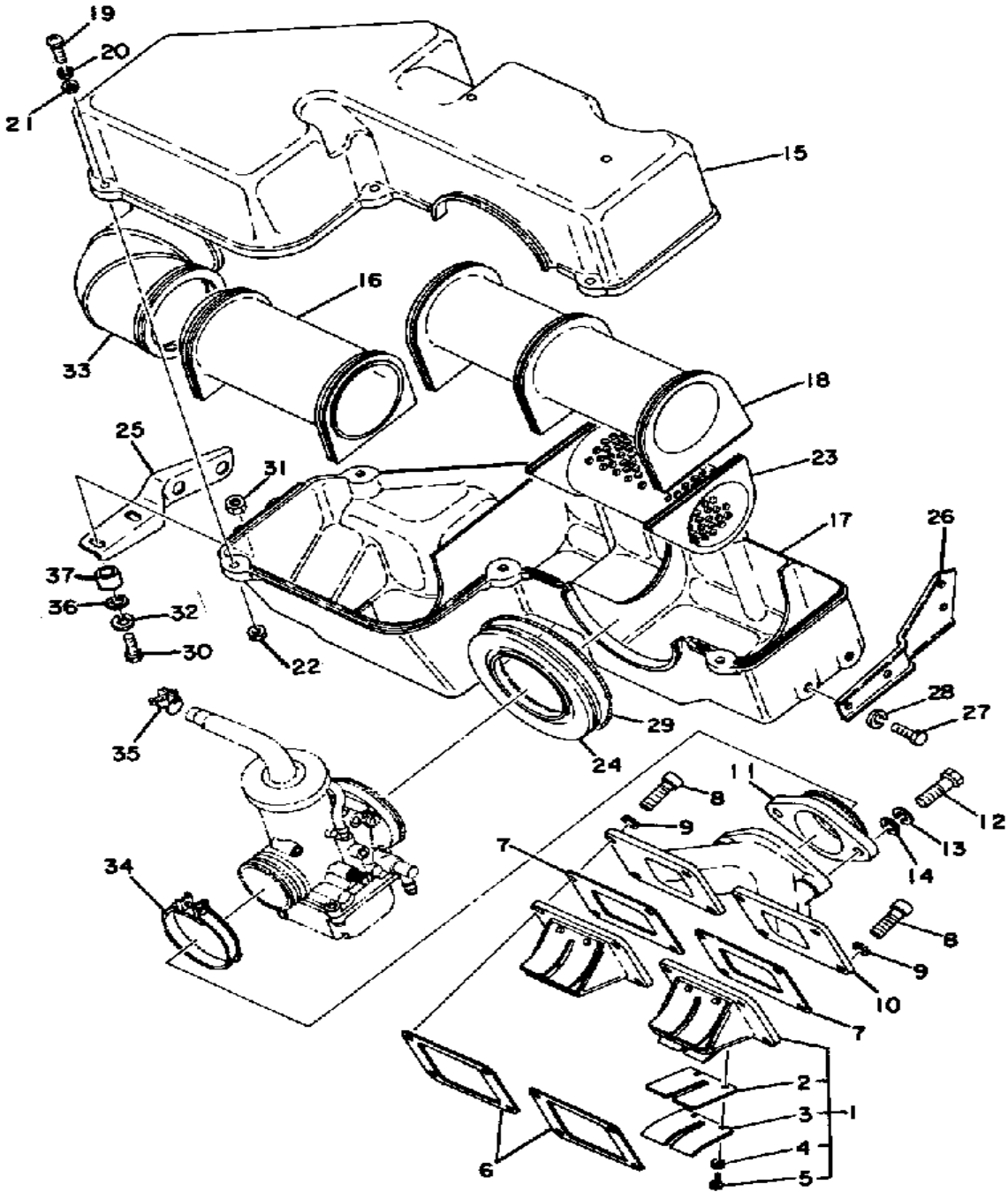


Ref. No.	Part Number	Description	Qty	Remarks
1	10V-13610-01-00	REED VALVE ASSEMBLY (885-13610-00)	2	
2	10V-13613-01-00	. REED, VALVE (1L8-13613-00)	4	
3	1UA-13616-00-00	. STOPPER REED VALVE VALVE (10V-13616-01)	4	
4	92990-03100-00	. WASHER, SPRING (92901-03100)	8	
5	98580-03008-00	. SCREW, PAN HEAD	8	
6	3TT-13621-00-00	GASKET, VALVE SEAT	2	
7	866-13563-00-00	GASKET	2	
8	91316-06025-00	BOLT	8	
9	92901-06600-00	WASHER	8	
10	(885-13565-09-00)	JOINT, CARBURETOR	1	
11	8A5-13555-00-00	MANIFOLD, INTAKE	1	
12	97001-08025-00	BOLT (1NV)	2	
13	92990-08100-00	WASHER	2	
14	92901-08600-00	WASHER	2	
15	8A5-14431-00-00	SILENCER, INTAKE 1	1	
16	8A5-14419-00-00	PIPE	1	
17	8A5-14441-00-00	SILENCER, INTAKE 2	1	
18	(8A5-14465-00-00)	PIPE	1	
19	98506-05018-00	SCREW, PAN HEAD	6	
20	92990-05100-00	WASHER, SPRING	6	
21	92901-05600-00	WASHER, PLATE	6	
22	95306-05600-00	NUT	6	
23	(8A5-14466-01-00)	PIPE	1	
24	8A5-14453-00-00	JOINT, AIR CLNR 1	1	
25	(8A5-14493-00-00)	STAY 1	1	
26	(8A5-14494-00-00)	STAY 2	1	
27	97013-06012-00	BOLT	4	

CONTINUED ON NEXT FRAME ➤

Property of [www.SmallEngineDiscount.com](http://www.SmallEngineDiscount.com) - Not for Resale

# INTAKE (EX440A)

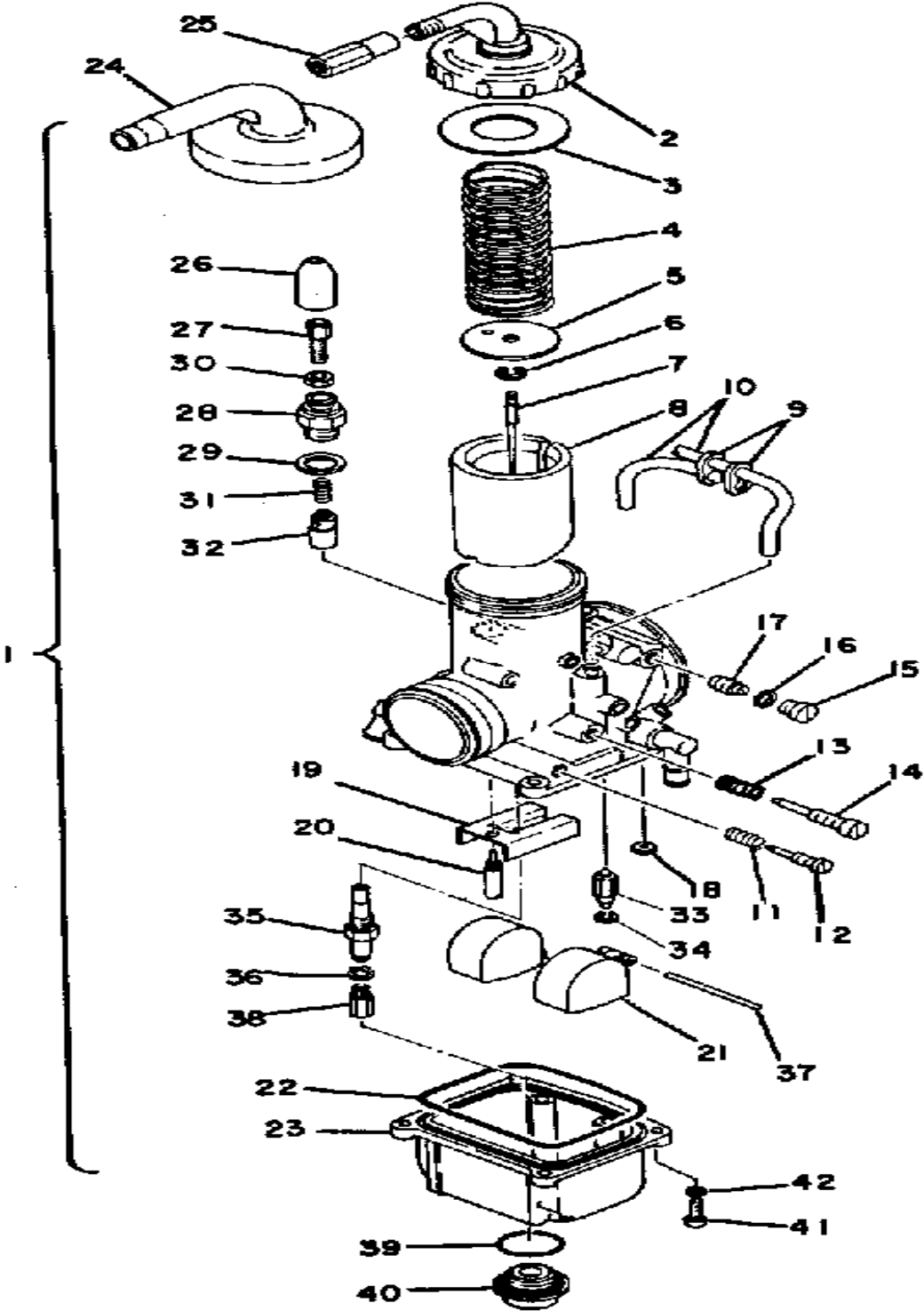


Ref. No.	Part Number	Description	Qty	Remarks
28	92995-06100-00	WASHER, SPRING .....	4	
29	90506-06131-00	SPRING, TENSION .....	1	
30	97011-06020-00	BOLT .....	2	
31	95601-06100-00	NUT, U .....	2	
32	92990-06200-00	WASHER .....	2	
33	8A5-14423-00-00	PIPE, SUCTION 1 .....	1	
34	86M-13575-00-00	BAND .....	1	
35	90460-11002-00	CLAMP, HOSE .....	1	
36	90201-065F3-00	WASHER, PLATE .....	2	
37	90387-064W1-00	COLLAR (90387-066J9) .....	2	

Property of [www.SmallEngineDiscount.com](http://www.SmallEngineDiscount.com) - Not for Resale



# CARBURETOR



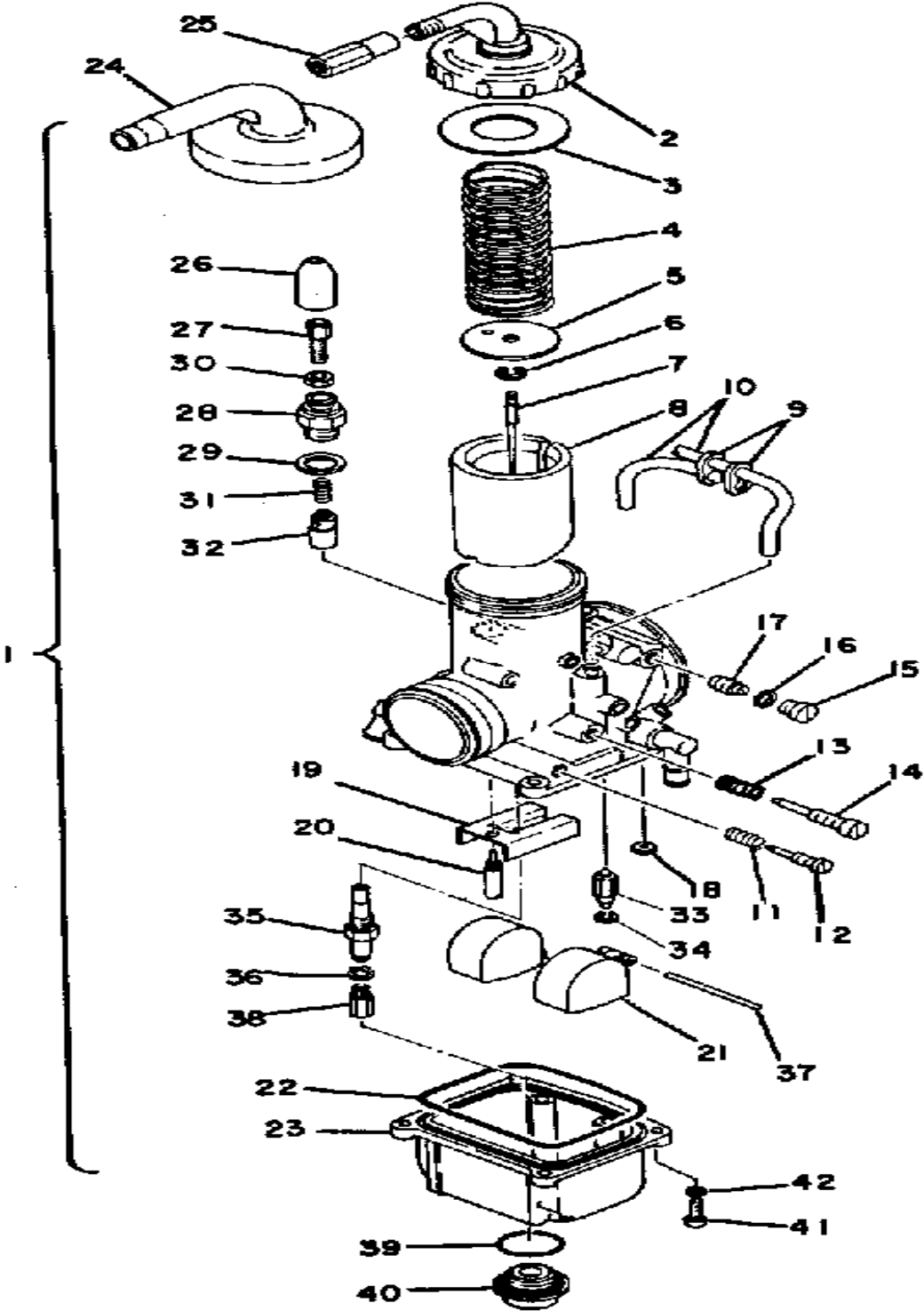
Ref. No.	Part Number	Description	Qty	Remarks
1	8E7-14101-00-00	CARBURETOR ASSEMBLY 1	1	
	8E8-14101-00-00	CARBURETOR ASSEMBLY 1	1	
2	8A6-14158-00-00	. TOP, MIXING CHAMBER	1	
3	(8A6-14126-01-00)	GASKET	1	
4	(90501-16401-00)	SPRING, COMPRESSION	1	
5	(8A6-14146-00-00)	PLATE	1	
6	(371-14929-60-00)	CLIP BAR	1	
7	(8A5-14916-00-00)	NEEDLE	1	
	(8A6-14916-00-00)	NEEDLE	1	
8	8A6-14970-01-00	. VALVE, THROTTLE	1	
9	(8A6-14998-00-00)	BUSH	2	
10	(8A6-14994-01-00)	NET, FILTER	2	
11	90501-07398-00	. SPRING, COMPRESSION	1	
12	(8A6-14923-00-00)	SCREW, PILOT	1	
13	(90501-12444-00)	SPRING, COMPRESSION	1	
14	(8A6-14922-00-00)	SCREW, THROTTLE	1	
15	(845-14567-00-00)	SCREW	1	
16	838-14597-00-00	. WASHER	1	
17	(888-14515-90-00)	JET # 0	1	
	(888-14516-00-00)	JET, MAIN #1 0	1	
18	(8A6-14147-00-00)	O-RING	1	
19	(8A6-14919-01-00)	CLIP	1	
20	(8A6-14948-05-00)	JET		ALTERNATE JET
	(8A6-14948-06-00)	JET		ALTERNATE JET
	8A6-14948-07-00	. JET	1	
	8A6-14948-08-00	. JET		ALTERNATE JET
	8A6-14948-09-00	. JET		ALTERNATE JET
21	(8A6-14985-00-00)	FLOAT	1	
22	93210-72310-00	. O-RING	1	

CONTINUED ON NEXT FRAME ➤

Property of [www.SmallEngineDiscount.com](http://www.SmallEngineDiscount.com) - Not for Resale



# CARBURETOR

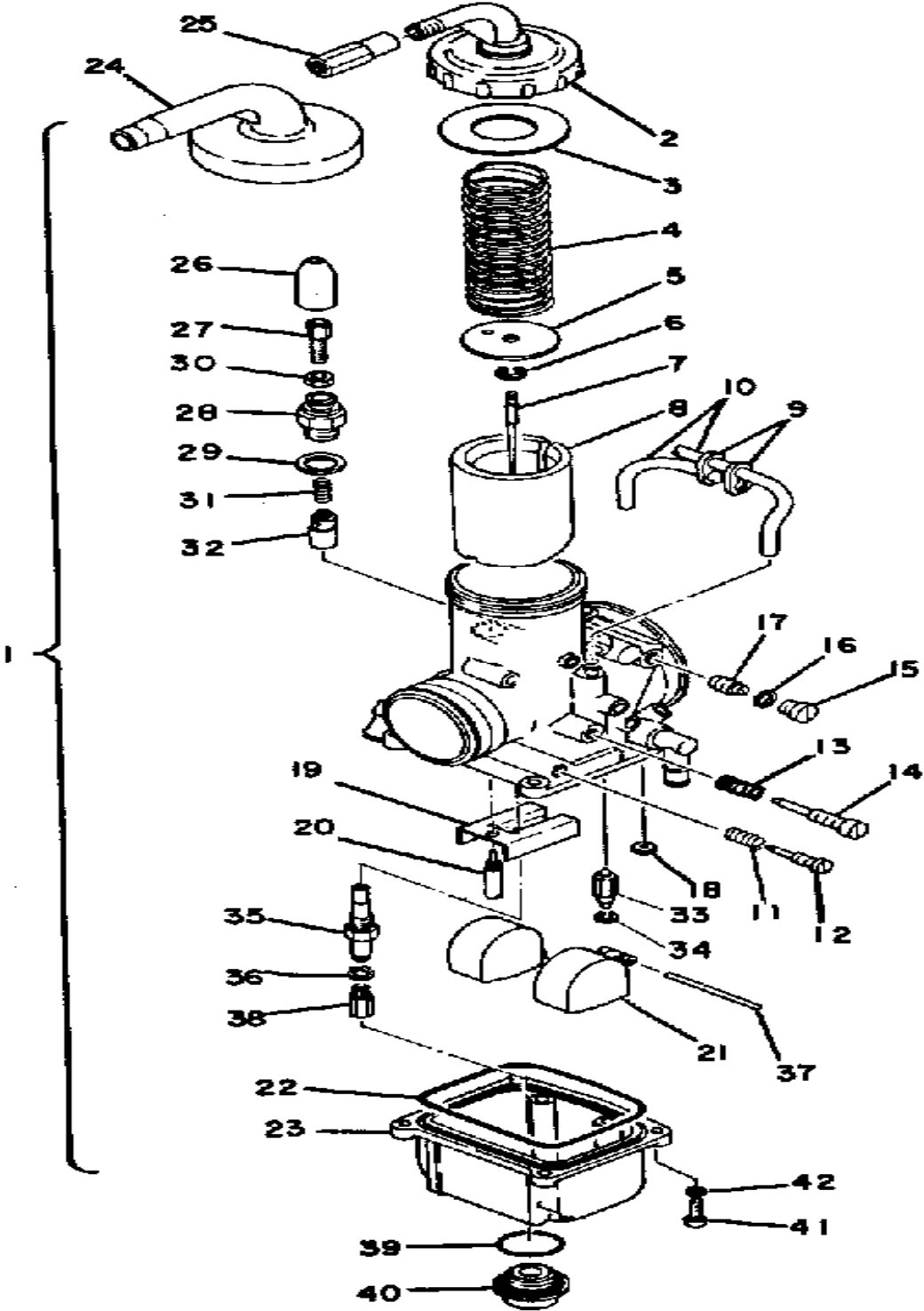


Ref. No.	Part Number	Description	Qty	Remarks
23	(8E7-14980-00-00)	BODY, FLOAT CHAMBER	1	
24	(8A6-14169-00-00)	CAP	1	
25	(8A6-14576-00-00)	ADJUSTER, CABLE	1	
26	(8A6-14967-00-00)	COVER	1	
27	8A6-14977-00-00	. SHAFT, STARTER LEVER	1	
28	8A6-14969-00-00	. CAP	1	
29	90201-12581-00	. WASHER, PLATE	1	
30	8E7-14161-00-00	. NUT, CABLE ADJUSTING	1	
31	90501-08443-00	. SPRING, COMPRESSION	1	
32	371-14993-60-00	. PLUNGER, STARTER	1	
33	8E7-14546-01-00	. VALVE, NEEDLE	1	
34	663-14159-00-00	. CLIP	1	
35	(8A6-14947-01-00)	JET, NEEDLE	1	
36	(8A6-14159-00-00)	CLIP	1	
37	(371-14548-60-00)	PIN, FLOAT ARM	1	
38	8A6-14516-30-00	. JET, MAIN #1 0		ALTERNATE JET
	8A6-14516-35-00	. JET, MAIN #1 5		ALTERNATE JET
	8A6-14516-40-00	. JET, MAIN #1 0		ALTERNATE JET
	8A6-14516-45-00	. JET, MAIN #1 5		ALTERNATE JET
	8A6-14516-50-00	. JET, MAIN #1 0		ALTERNATE JET
	8A6-14516-50-00	. JET, MAIN #1 0	1	
	8A6-14516-55-00	. JET, MAIN #1 5		ALTERNATE JET
	8A6-14516-60-00	. JET, MAIN #1 0		ALTERNATE JET
	8A6-14516-65-00	. JET, MAIN #1 5		ALTERNATE JET
	8A6-14516-70-00	. JET, MAIN #1 0		ALTERNATE JET
	8A6-14516-75-00	. JET, MAIN #1 5		ALTERNATE JET
	8A6-14516-80-00	. JET, MAIN #1 0		ALTERNATE JET
39	93210-19309-00	. O-RING	1	
40	8M7-14992-00-00	. ROD	1	

CONTINUED ON NEXT FRAME ➤

Property of [www.SmallEngineDiscount.com](http://www.SmallEngineDiscount.com) - Not for Resale

# CARBURETOR

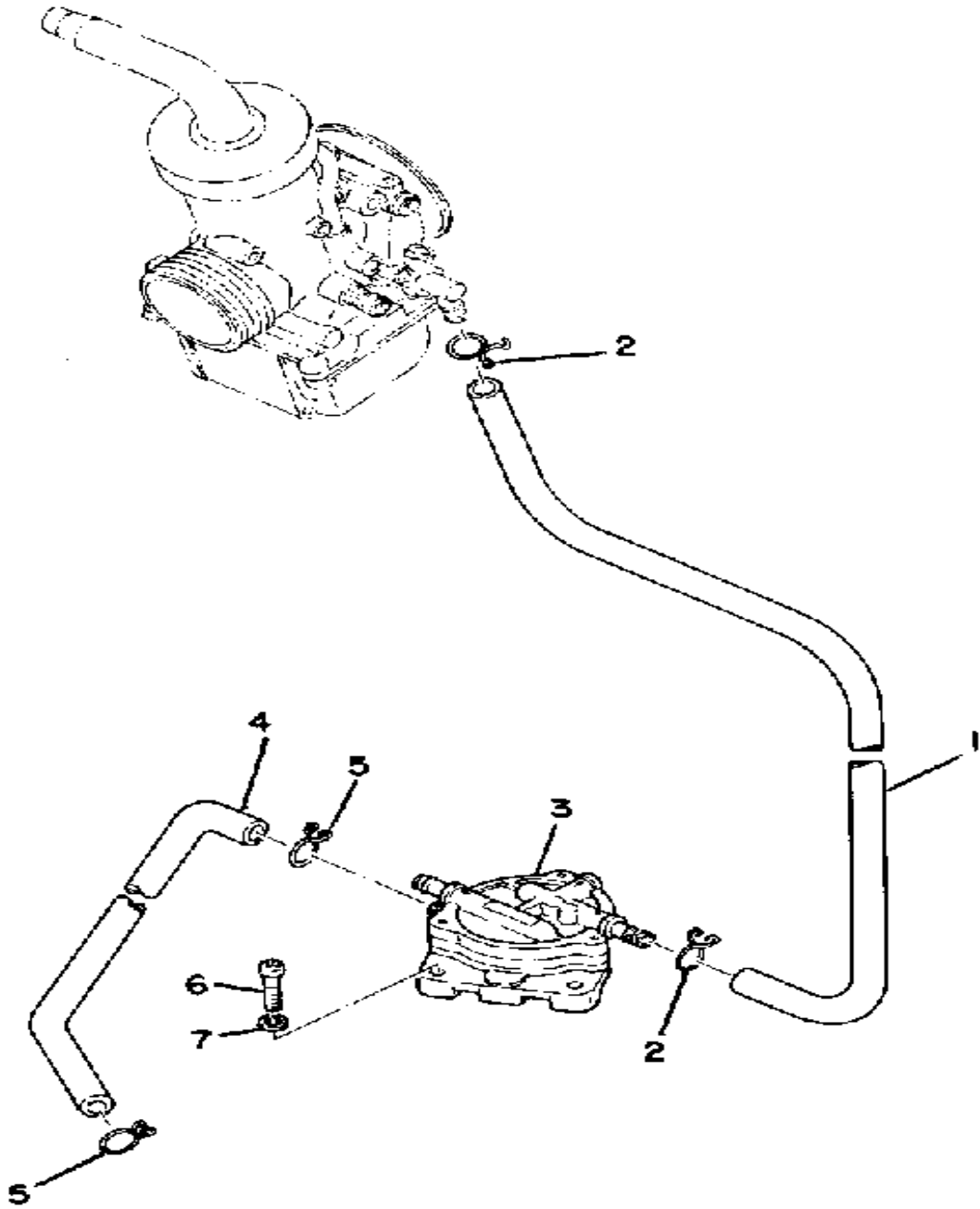


Ref. No.	Part Number	Description	Qty	Remarks
41	98503-04014-00	. SCREW, PAN HEAD .....	4	
42	92901-04100-00	. WASHER, SPRING .....	4	

Property of [www.SmallEngineDiscount.com](http://www.SmallEngineDiscount.com) - Not for Resale

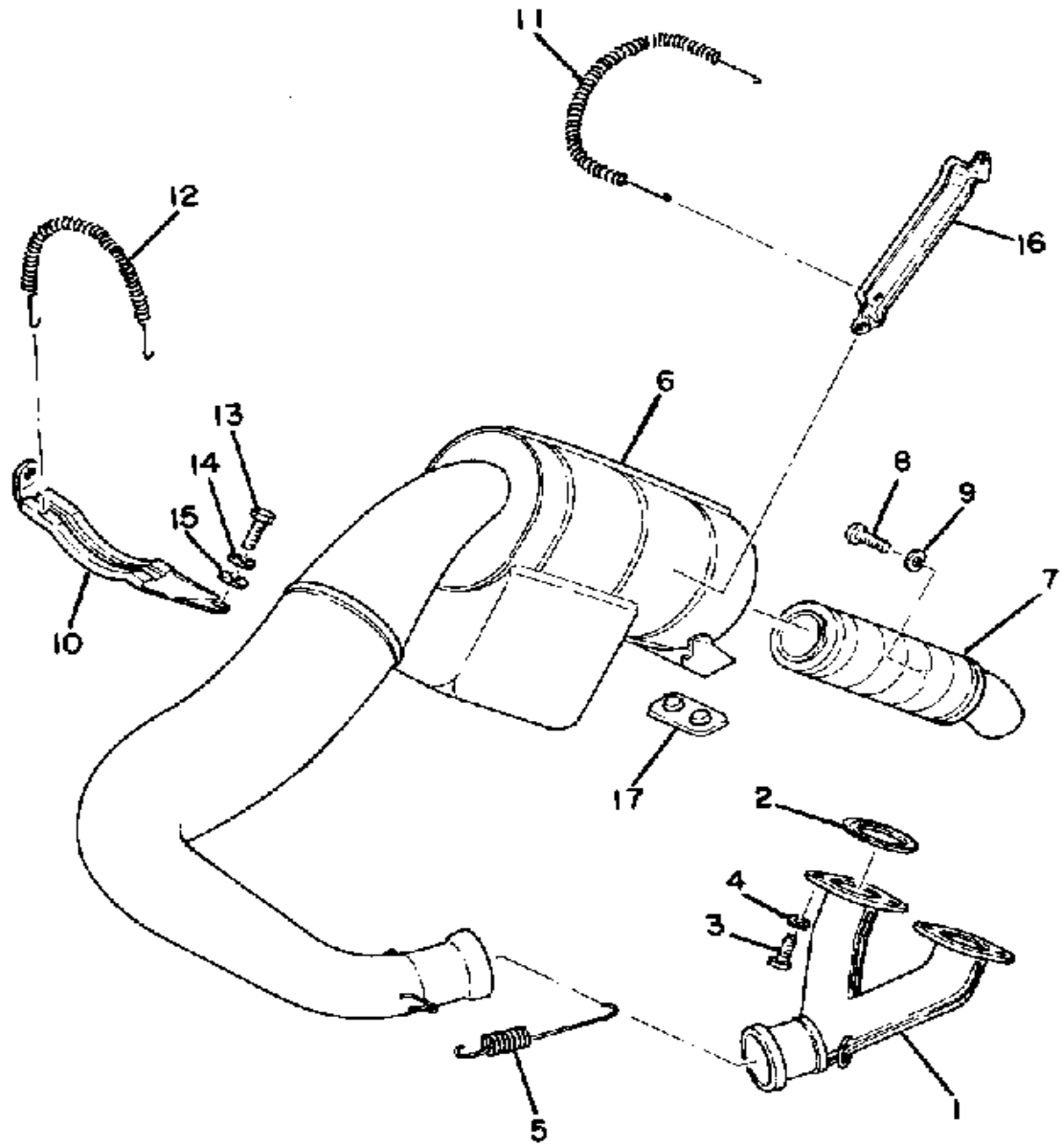
# PIPING

Ref. No.	Part Number	Description	Qty	Remarks
1	90446-11290-00	HOSE .....	1	
2	90467-11009-00	CLIP .....	2	
3	8A5-24410-02-00	FUEL PUMP ASSEMBLY .....	1	
4	90445-10345-00	HOSE .....	1	
5	90467-09006-00	CLIP .....	2	
6	98580-06018-00	SCREW, PAN HEAD .....	2	
7	92995-06100-00	WASHER, SPRING .....	2	



Property of [www.SmallEngineDiscount.com](http://www.SmallEngineDiscount.com) - Not for Resale

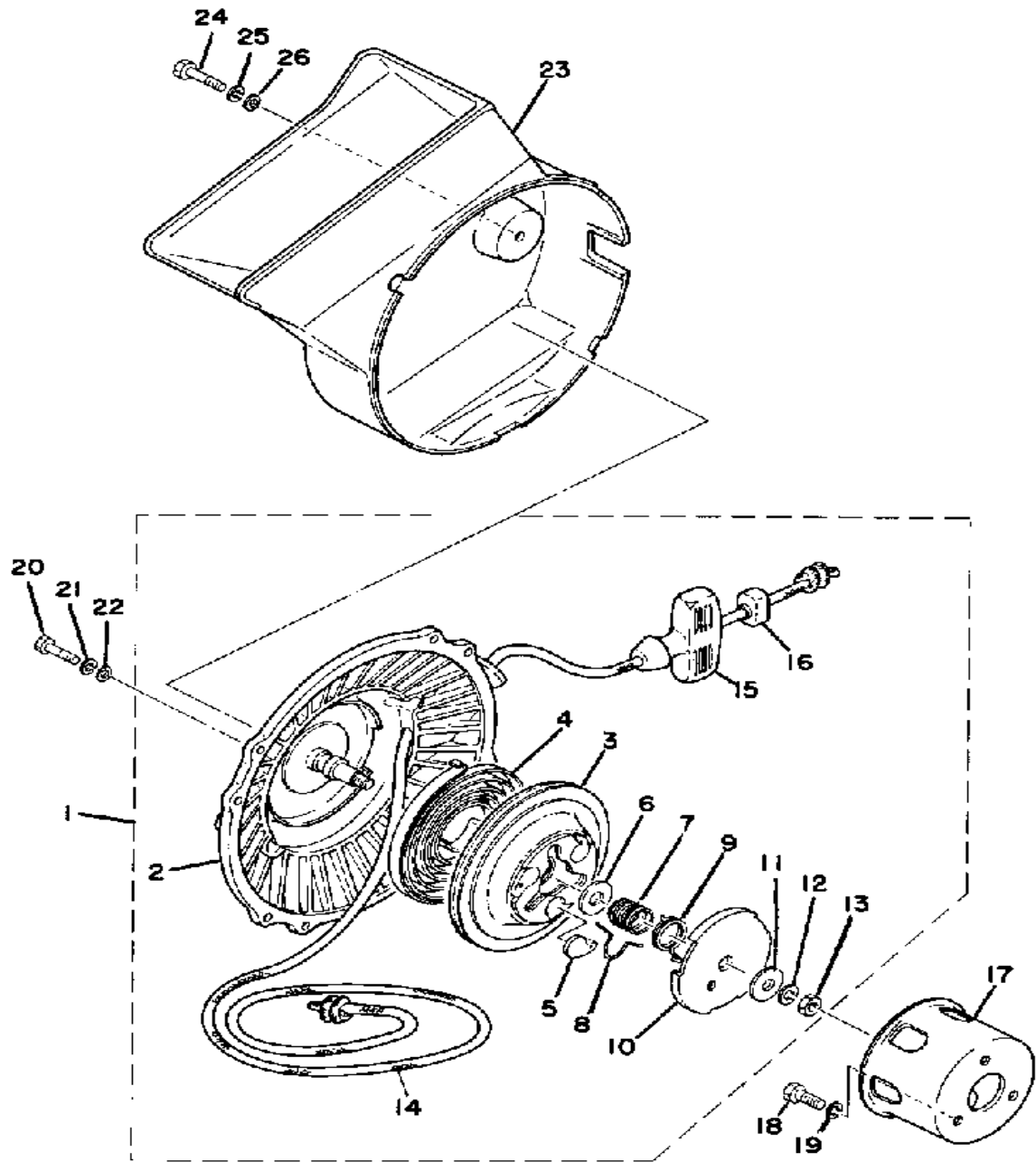
# EXHAUST



Ref. No.	Part Number	Description	Qty	Remarks
1	8A5-14610-00-00	EXHAUST PIPE ASSEMBLY L	1	
2	821-14613-01-00	GASKET, EXHAUST PIPE	2	
3	97013-08025-00	BOLT	4	
4	92990-08100-00	WASHER	4	
5	821-14773-00-00	SPRING, MUFFLER	2	
6	(8G7-14710-00-00) (8H6-14710-00-00)	MUFFLER ASSEMBLY L	1	
7	8A5-14753-00-00	SILENCER, EXHAUST	1	
8	98580-05010-00	SCREW, PAN HEAD	1	
9	92990-05100-00	WASHER, SPRING	1	
10	8A5-14771-00-00	STAY, MUFFLER 1	1	
11	90506-16130-00	SPRING, TENSION	1	
12	90506-16076-00	SPRING, TENSION	1	
13	97313-08018-00	BOLT, HEXAGON (97301-08016)	1	
14	92990-08100-00	WASHER	1	
15	92901-08600-00	WASHER	1	
16	(8A5-14772-01-00)	STAY, MUFFLER 2	1	
17	8A5-14728-02-00	PROTECTOR, MUFFLER 2	1	

Property of [www.SmallEngineDiscount.com](http://www.SmallEngineDiscount.com) - Not for Resale

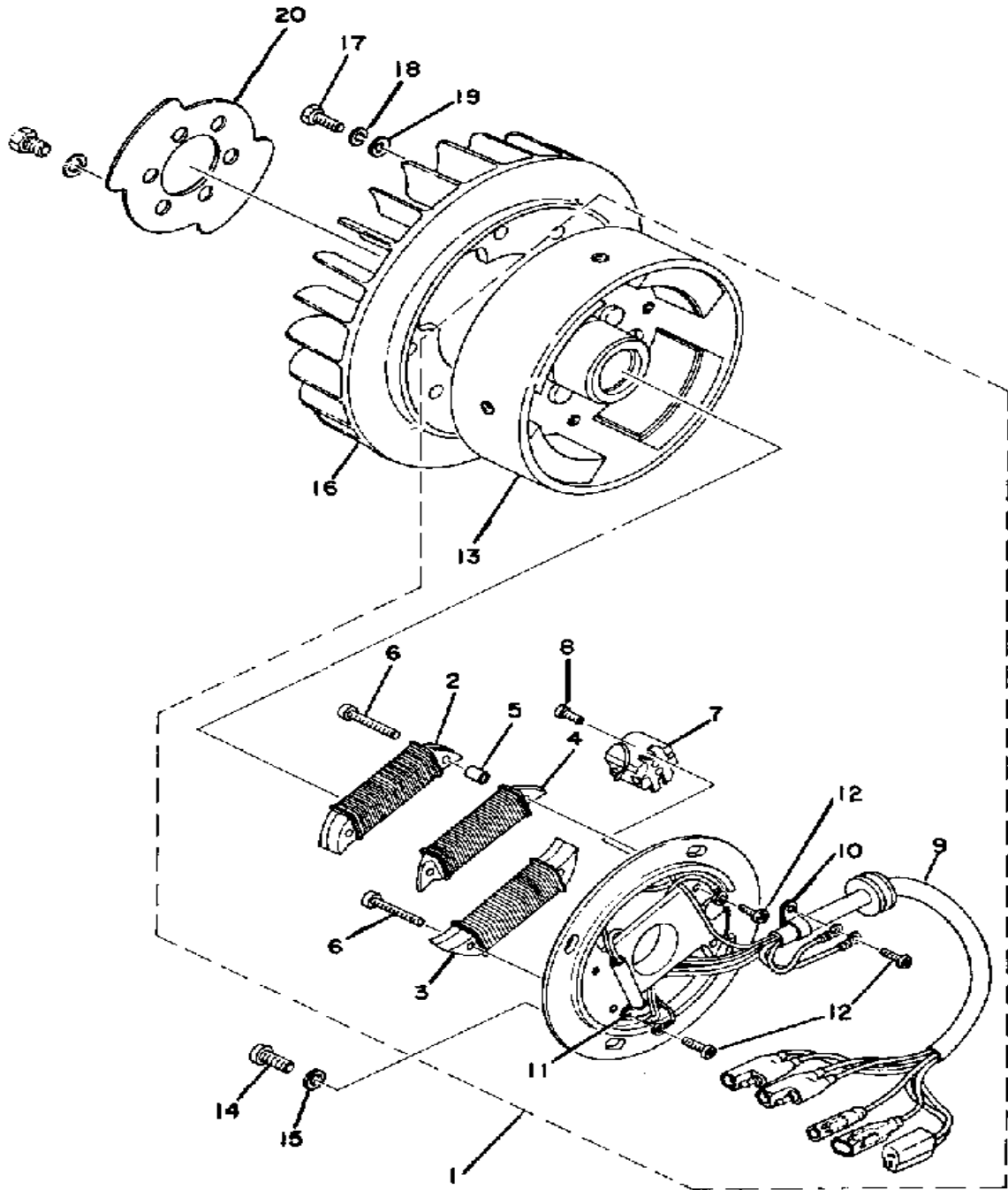
# STARTER



Ref. No.	Part Number	Description	Qty	Remarks
1	(8A5-15710-00-00)	STARTER ASSEMBLY	1	
2	8A1-15711-00-00	. CASE, STARTER	1	
3	857-15714-00-00	. DRUM, SHEAVE	1	
4	8Y0-15713-00-00	. SPRING, STARTER	1	
5	616-15741-01-00	. PAWL, DRIVE	3	
6	(802-15726-00-00)	WASHER, FLAT	1	
7	626-15715-01-00	. SPRING, DRIVE PLATE (807-15715-00)	1	
8	811-15784-00-00	. SPRING, RETURN	3	
9	811-15734-00-00	. SPRING, RETURN	1	
10	811-15716-00-00	. PLATE, DRIVE	1	
11	807-15726-01-00	. WASHER, FLAT	1	
12	92995-06100-00	. WASHER, SPRING	1	
13	95311-05700-00	. NUT	1	
14	857-15751-00-00	. WIRE, STARTER	1	
15	807-15755-00-00	. HANDLE, STARTER	1	
16	(8A1-15758-00-00)	GUIDE, ROPE	1	
17	8A1-15723-00-00	PULLEY, STARTER	1	
18	97313-08018-00	BOLT, HEXAGON (97301-08016)	3	
19	92990-08100-00	WASHER	3	
20	97016-06020-00	BOLT	4	
21	92906-06100-00	WASHER, SPRING	4	
22	92906-06600-00	WASHER	4	
23	8A5-15471-00-00	DUCT, AIR	1	
24	97026-06012-00	BOLT	2	
25	92995-06100-00	WASHER, SPRING	2	
26	90201-06067-00	WASHER, PLATE	2	

Property of [www.SmallEngineDiscount.com](http://www.SmallEngineDiscount.com) - Not for Resale

# C - D - I - MAGNETO

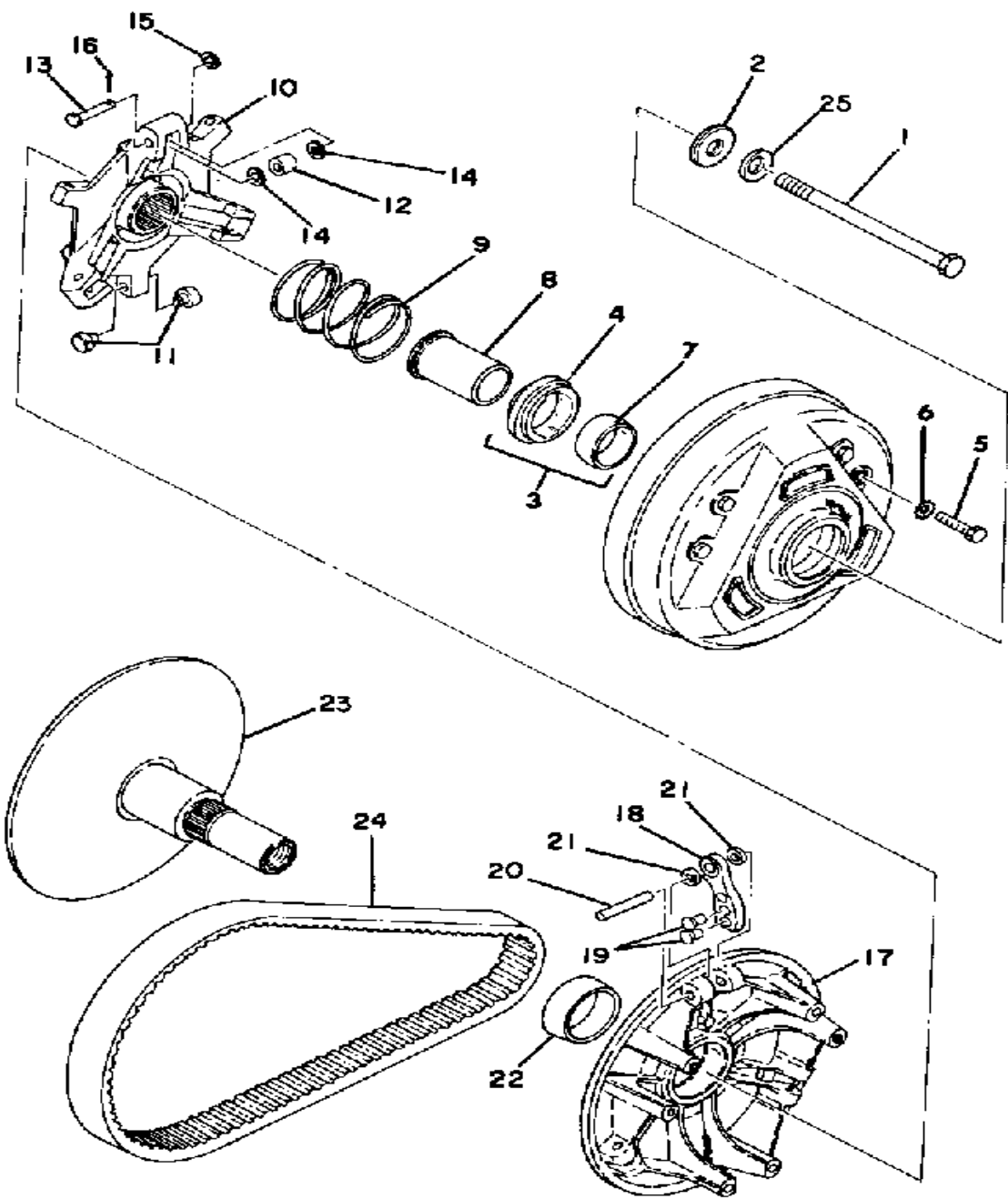


Ref. No.	Part Number	Description	Qty	Remarks
1	(8E7-85500-10-00)	CDI MAGNETO ASSEMBLY ...	1	
2	8E7-85512-10-00	. COIL SOURCE 2 .....	1	
3	8E7-85513-10-00	. COIL, LIGHTING 1 .....	1	
4	8E7-85541-10-00	COIL, CHARGE .....	1	
5	647-81318-10-00	. SPACER .....	2	
6	98501-05035-00	. SCREW, PAN HEAD .....	4	
7	(888-85543-10-00)	COIL PULSER .....	2	
8	110-81346-21-00	. SCREW, PAN HEAD .....	4	
9	(8E7-85515-10-00)	LEAD WIRE ASSEMBLY .....	1	
10	109-81328-11-00	. CLAMP .....	1	
11	(363-85528-10-00)	CLAMP, LEAD .....	2	
12	98580-04008-00	. SCREW, PAN HEAD .....	3	
13	8E7-85550-10-00	. ROTOR ASSEMBLY .....	1	
14	98503-06014-00	SCREW, PAN HEAD (92502-06016) .....	3	
15	92901-06600-00	WASHER .....	4	
16	838-12611-00-00	FAN .....	1	
17	97011-06016-00	BOLT .....	6	
18	92995-06100-00	WASHER, SPRING .....	6	
19	92901-06600-00	WASHER .....	6	
20	(8A5-81362-00-00)	COVER, HOLE .....	1	

Property of [www.SmallEngineDiscount.com](http://www.SmallEngineDiscount.com) - Not for Resale



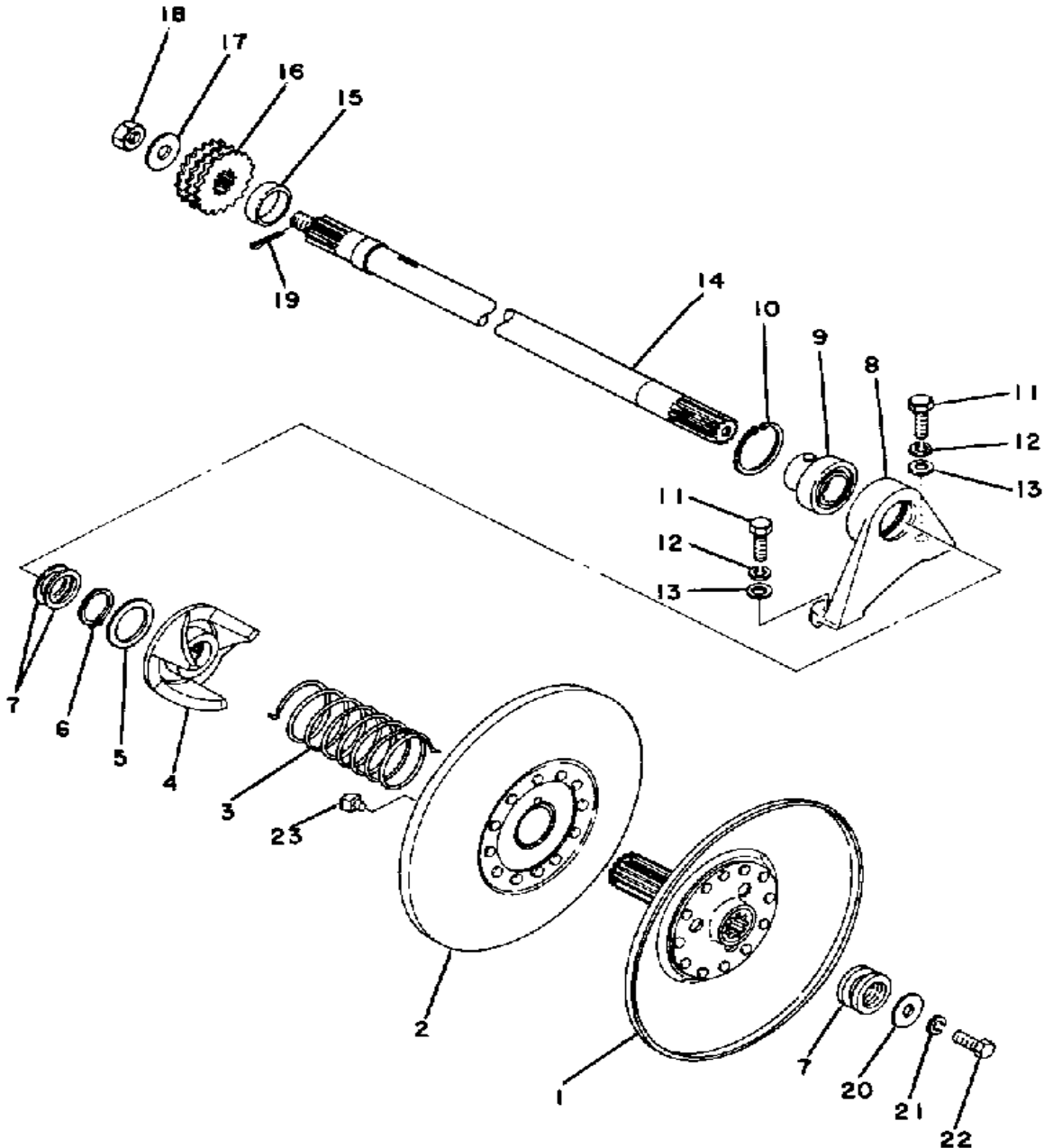
# PRIMARY SHEAVE



Ref. No.	Part Number	Description	Qty	Remarks
1	90101-13406-00	BOLT	1	
2	8A7-17654-00-00	SPACER 1	1	
3	8E7-W1762-00-00	PRI. SHEAVE CAP	1	
4	8E7-17644-02-00	. SEAT, SPRING	1	
5	97313-06030-00	BOLT, HEXAGON	6	
6	92901-06400-00	WASHER, EX.TOOTH	6	
7	90389-34019-00	BUSH, SPEC'L SHAPE	1	
8	99999-00949-00	COLLAR (90387-28590)	1	
9	(90501-50458-00)	SPRING, COMPRESSION	1	
	90501-50447-00	SPRING, COMPRESSION	1	
10	8A7-17627-00-00	SPIDER	1	
11	8F2-17653-00-00	SLIDER	6	
12	90387-06560-00	COLLAR	3	
13	90240-06056-00	PIN, CLEVIS	3	
14	90202-06113-00	WASHER, PLATE	6	
15	92901-06600-00	WASHER	3	
16	91401-25020-00	PIN, COTTER	3	
17	8E7-17621-01-00	SHEAVE, PRI SLIDING	1	
18	8E7-17632-00-00	WEIGHT, CLUTCH	3	
19	90261-06017-00	RIVET, COUNTERSUNK (ST11.3MM)	6	
20	93607-44120-00	PIN, DOWEL	3	
21	90201-07641-00	WASHER, PLATE	6	
22	90389-41018-00	BUSH, SPEC'L SHAPE	1	
23	8F2-17610-00-00	PRI FIXED SHEAVE	1	
24	8F2-17641-01-00	V-BELT	1	
25	90208-13023-00	WASHER, CONICAL SPR	1	

Property of [www.SmallEngineDiscount.com](http://www.SmallEngineDiscount.com) - Not for Resale

# SECONDARY SHEAVE

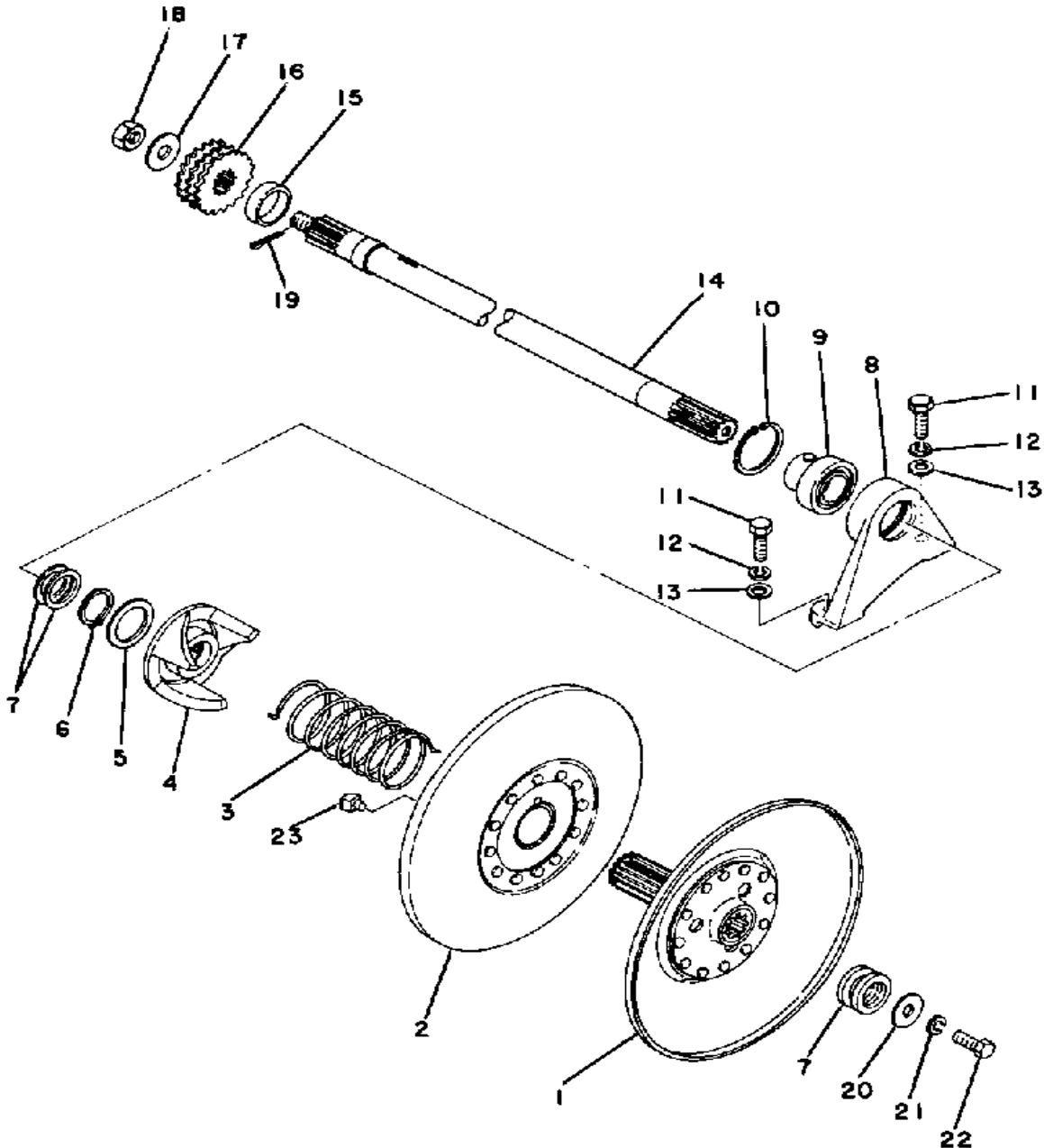


Ref. No.	Part Number	Description	Qty	Remarks
1	8A5-17660-01-00	SEC FXD SHVSHEAVE COMP.	1	
2	(8F2-17670-00-00)	SEC SLIDING SHEAVE .....	1	
3	90508-45286-00	SPRING, TORSION .....	1	
	90508-45287-00	SPRING, TORSION .....	1	
4	8A5-17684-01-00	SEAT, SEC SPRINGSRING ..	1	
5	90564-34003-00	SHIM (856-17687-00) .....	1	
6	93440-34170-00	CIRCLIP .....	1	
7	90201-25526-00	. WASHER, PLATE (T2.0) .....	1	UR
	90201-25527-00	. WASHER, PLATE (T1.0) .....	1	UR
	99999-01011-00	SPACER (25-36-5.0) .....	1	UR
8	878-47631-00-00	HOUSING, BEARING .....	1	
9	888-17678-00-00	BEARING .....	1	
10	99009-52500-00	CIRCLIP .....	1	
11	97013-10030-00	BOLT (8J7) (97303-10030) .....	2	
12	92990-10100-00	WASHER, SPRING .....	2	
13	90201-10124-00	WASHER, PLATE .....	2	
14	(888-17680-00-00)	SHAFT, SECONDARY .....	1	
16	829-17682-00-00	SPRKT, CHAIN DR 20T (20T) ..	1	ALTERNATE PARTS
	829-17682-50-00	SPRKT, CHAIN DR 15T (878-17682-50) (15T) .....	1	ALTERNATE PARTS
	829-17682-60-00	SPRKT, CHAIN DR 16T (16T) ..	1	ALTERNATE PARTS
	829-17682-70-00	SPRKT, CHAIN DR 17T (17T) ..	1	ALTERNATE PARTS
	829-17682-80-00	SPRKT, CHAIN DR 18T (18T) ..	1	ALTERNATE PARTS
	829-17682-90-00	SPRKT, CHAIN DR 19T (878-17682-90) (19T) .....	1	
	829-17682-90-00	SPRKT, CHAIN DR 19T (878-17682-90) (19T) .....	1	ALTERNATE PARTS
	8U9-17693-10-00	SPROCKET, CHAIN DR (878-17693-10) (21T) .....	1	ALTERNATE PARTS
	8U9-17693-20-00	SPROCKET, CHAIN DR (878-17693-20) (22T) .....	1	ALTERNATE PARTS

CONTINUED ON NEXT FRAME ➤

Property of [www.SmallEngineDiscount.com](http://www.SmallEngineDiscount.com) - Not for Resale

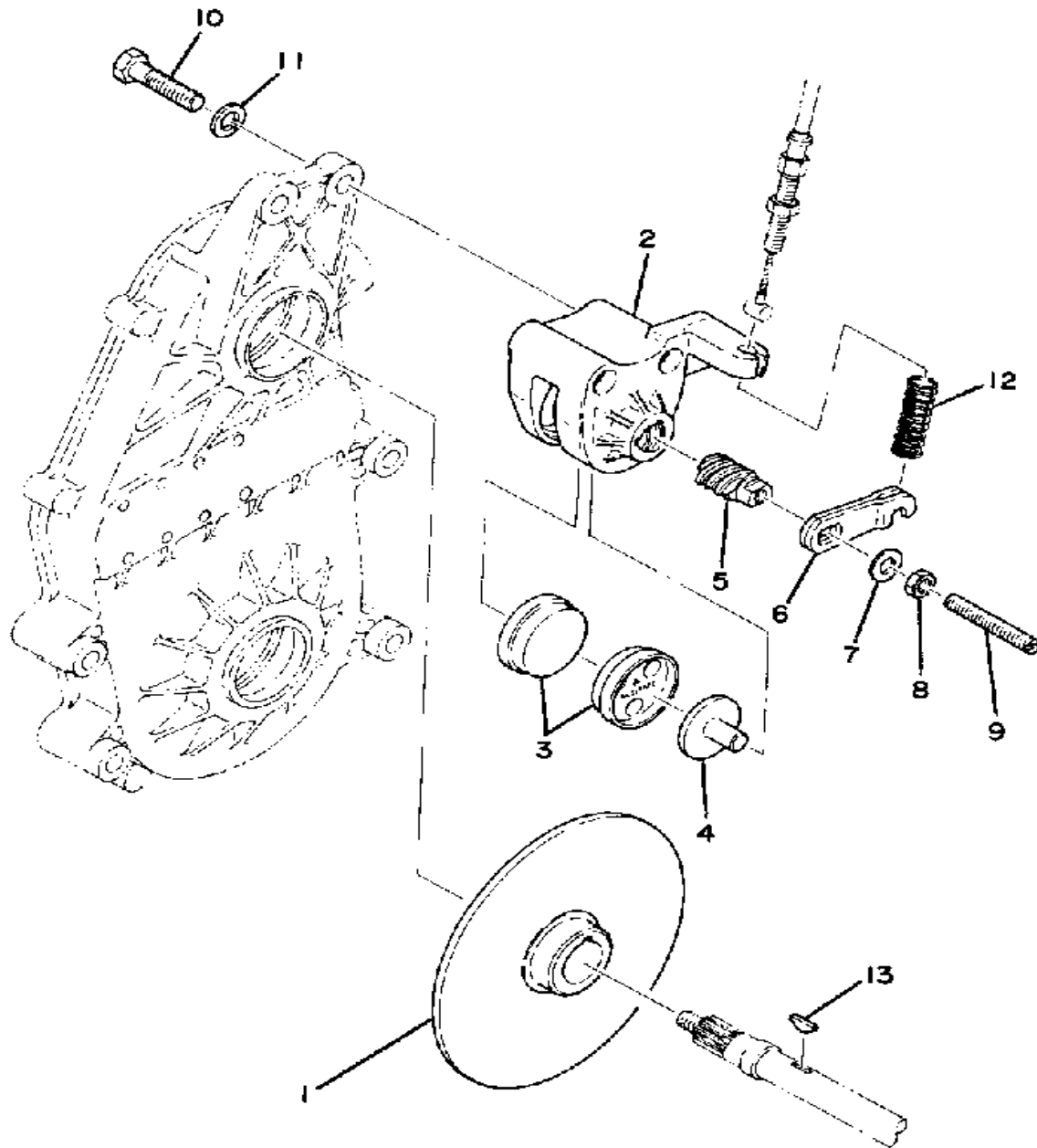
# SECONDARY SHEAVE



Ref. No.	Part Number	Description	Qty	Remarks
17	90201-14319-00	WASHER, PLATE .....	1	
18	95312-14600-00	NUT .....	1	
19	91401-30030-00	PIN, COTTER .....	1	
20	90201-10321-00	WASHER, PLATE .....	1	
21	92990-10100-00	WASHER, SPRING .....	1	
22	97011-10025-00	BOLT .....	1	
23	8A5-17688-00-00	SHOE, RAMP .....	3	

Property of [www.SmallEngineDiscount.com](http://www.SmallEngineDiscount.com) - Not for Resale

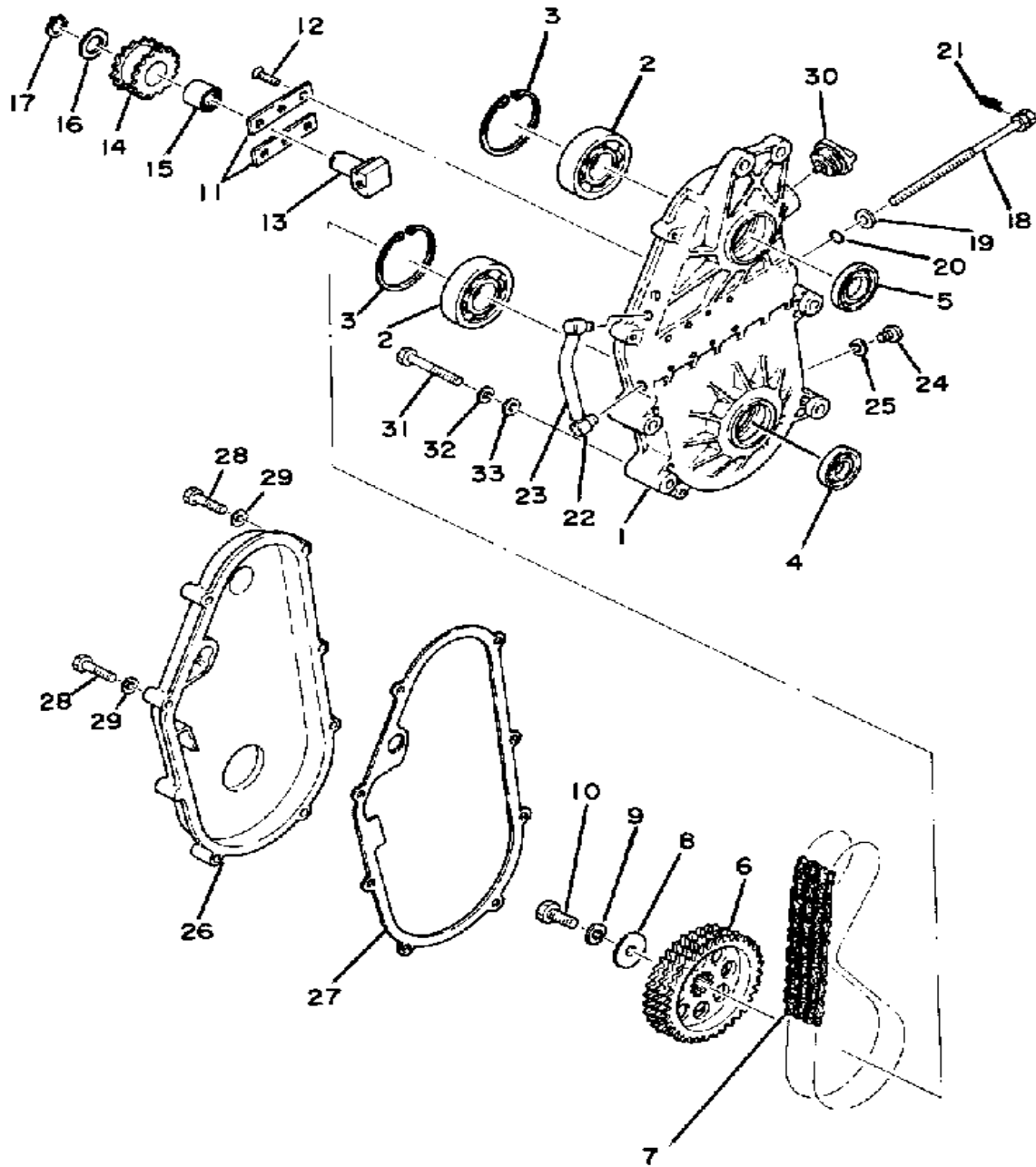
# BRAKE



Ref. No.	Part Number	Description	Qty	Remarks
1	888-25831-00-00	DISC, BRAKE .....	1	
2	878-25731-00-00	BODY, CALIPER 1 .....	1	
3	84X-25811-01-00	PAD, CALIPER 2 .....	2	
4	878-25733-00-00	PLATE, BACK UP .....	1	
5	878-25728-00-00	CAM .....	1	
6	878-25726-00-00	LEVER, BRAKE .....	1	
7	92901-08600-00	WASHER .....	1	
8	95303-08700-00	NUT .....	1	
9	90149-08033-00	SCREW, SPEC'L SHAPE .....	1	
10	97013-10040-00	BOLT .....	2	
11	92990-10100-00	WASHER, SPRING .....	2	
12	90501-23337-00	SPRING, COMPRESSION .....	1	
13	8J7-25848-00-00	KEY .....	1	

Property of [www.SmallEngineDiscount.com](http://www.SmallEngineDiscount.com) - Not for Resale

# TRACK DRIVE

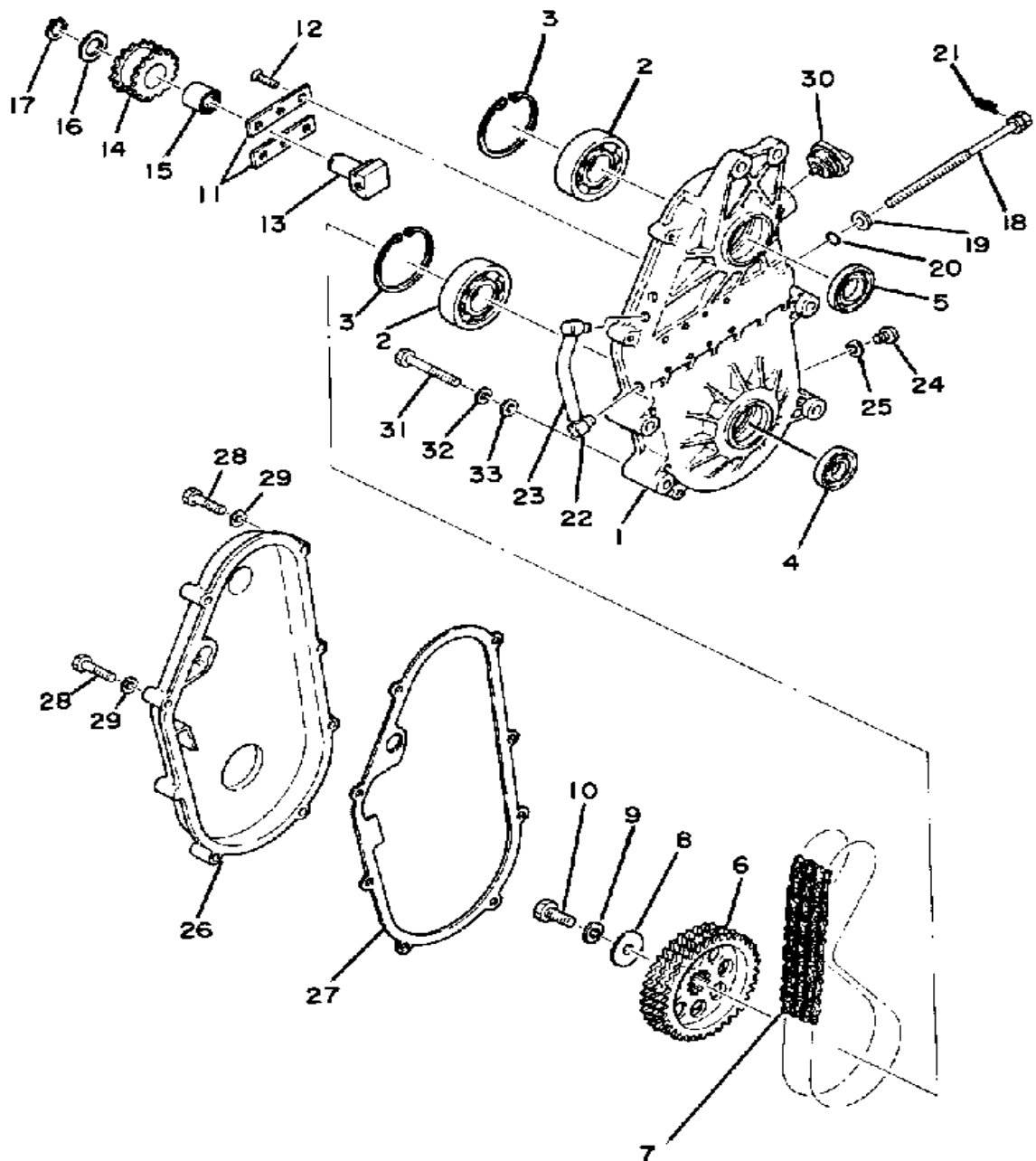


Ref. No.	Part Number	Description	Qty	Remarks
1	(888-47541-00-00)	HOUSING, CHAIN	1	
2	93306-30536-00	BEARING	2	
3	93420-62070-00	CIRCLIP 54G	2	
4	93102-25081-00	OIL SEAL	1	
5	93102-33140-00	OIL SEAL, SD-TYPE	1	
6	8U9-47587-00-00	SPROCKET, CHN DRVN (31T)	1	UR
	8U9-47587-10-00	SPROCKET, CHN DRVN (888-47587-00) (33T)	1	UR (STD)
	8U9-47587-30-00	SPROCKET, CHN DRVN (878-47587-20) (35T)	1	UR
7	90485-03507-20	UNAVAILABLE IN PRICE BOOK	1	UR STD
	90485-03507-40	UNAVAILABLE IN PRICE BOOK	1	UR
	94850-35070-00	CHAIN 70 (RS35V-3 70L)	1	UR
8	90201-10321-00	WASHER, PLATE	1	
9	92990-10100-00	WASHER, SPRING	1	
10	97011-10025-00	BOLT	1	
11	8A7-47613-00-00	HOLDER	2	
12	98701-06014-00	SCREW, FLAT HEAD	6	
13	878-47611-00-00	TENSIONER	1	
14	878-47612-00-00	WHEEL	1	
15	93317-31701-00	BEARING	1	
16	90201-17406-00	WASHER, PLATE	1	
17	99009-17400-00	CIRCLIP	1	
18	90109-08357-00	BOLT	1	
19	90201-084M4-00	WASHER, PLATE (90201-08088-00)	1	
20	93210-08006-00	O-RING	1	
21	90468-16065-00	CLIP	1	
22	3YJ-15371-00-00	BREATHER	2	
23	90445-09064-00	HOSE	1	

CONTINUED ON NEXT FRAME ➤

Property of [www.SmallEngineDiscount.com](http://www.SmallEngineDiscount.com) - Not for Resale

# TRACK DRIVE

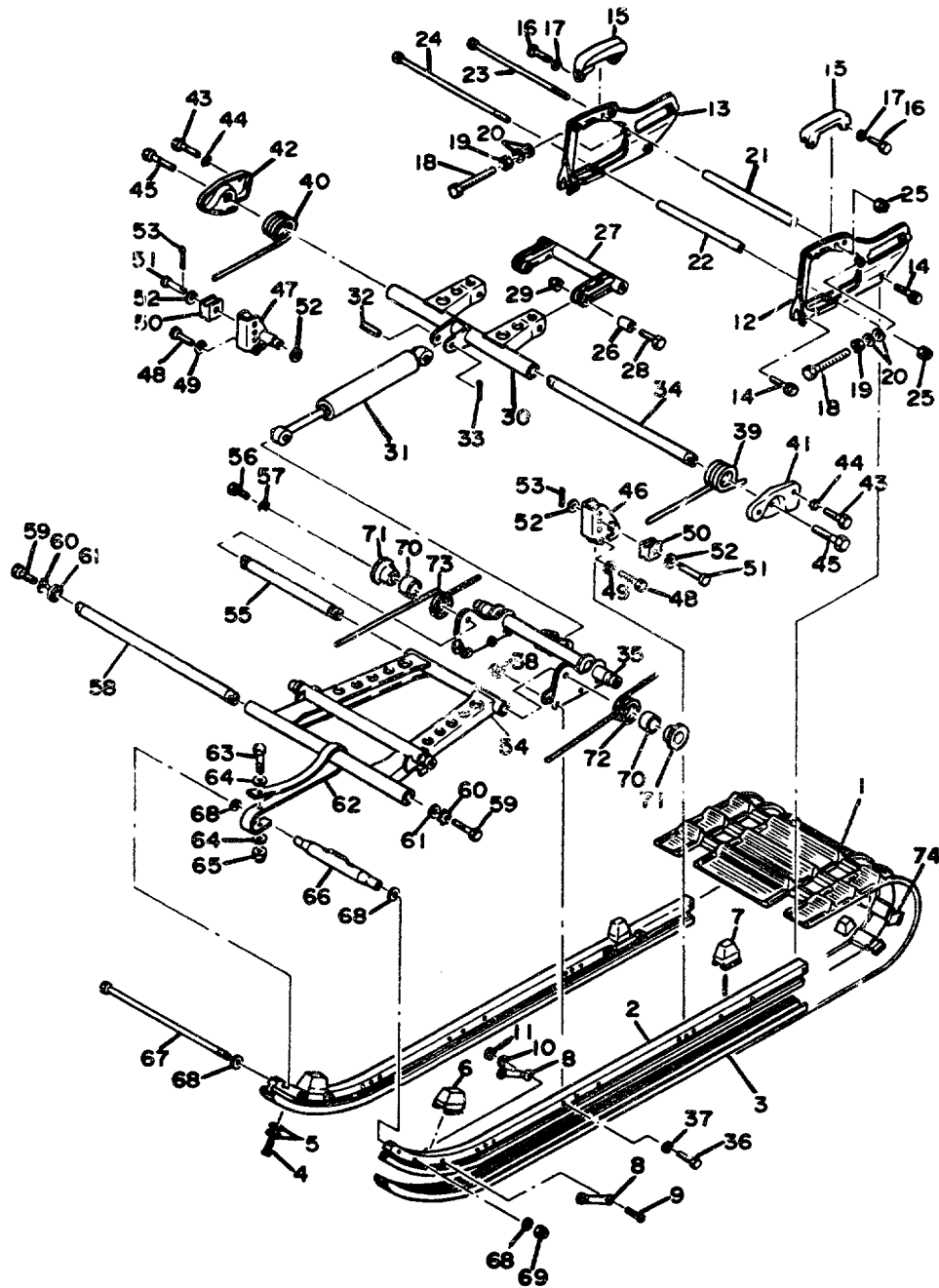


Ref. No.	Part Number	Description	Qty	Remarks
24	98580-06010-00	SCREW, PAN HEAD (92503-06010)	1	
25	90430-06016-00	GASKET	1	
26	888-47543-00-00	CAP, HOUSING	1	
27	878-47544-00-00	GASKET	1	
28	97013-06035-00	BOLT	8	
29	92901-06600-00	WASHER	8	
30	857-47559-00-00	CAP 2	1	
31	97321-08055-00	BOLT, HEXAGON	4	
32	92990-08100-00	WASHER	4	
33	92901-08600-00	WASHER	4	

Property of [www.SmallEngineDiscount.com](http://www.SmallEngineDiscount.com) - Not for Resale



# TRACK - SUSPENSION

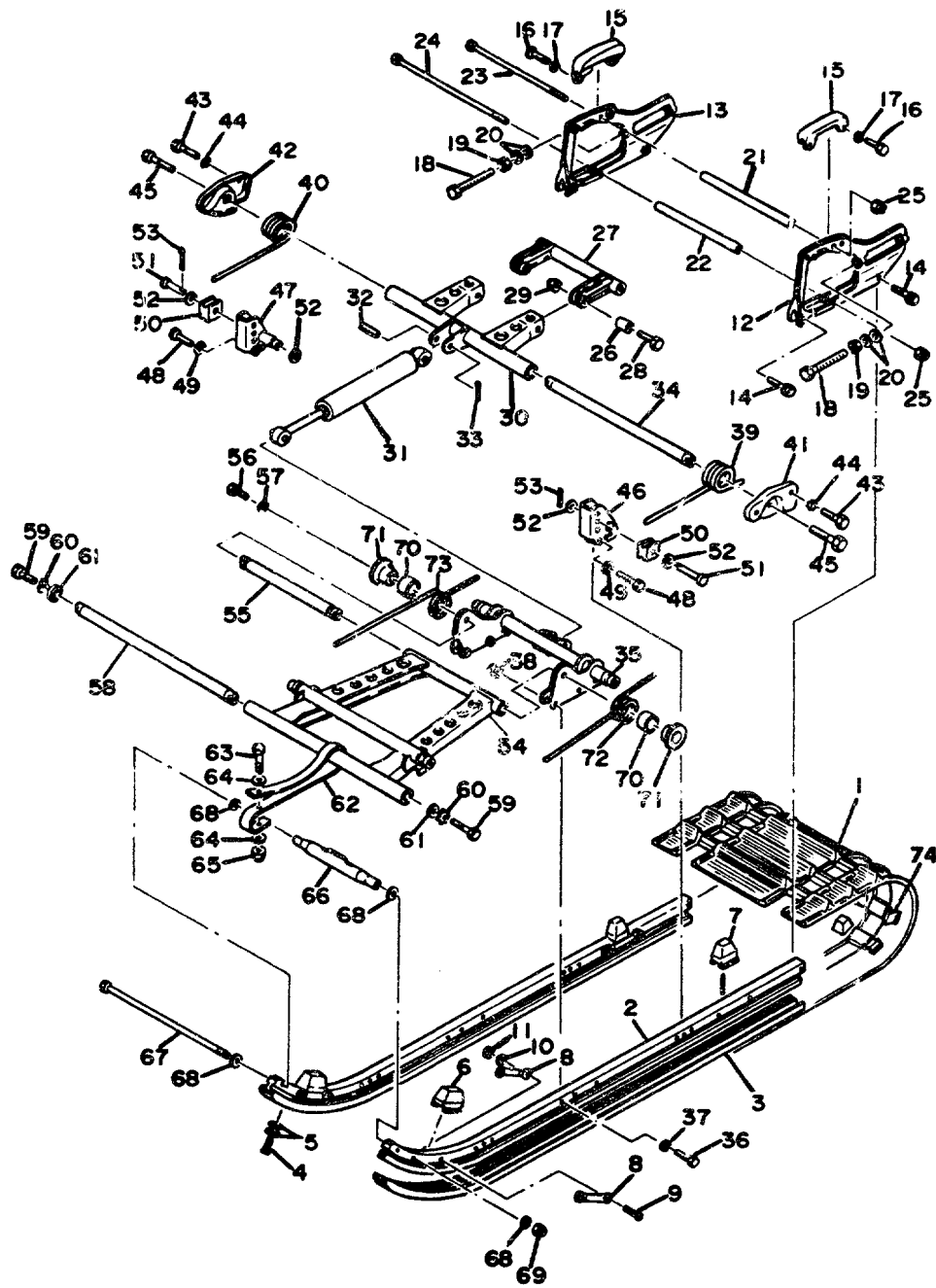


Ref. No.	Part Number	Description	Qty	Remarks
1	8A5-47110-01-00	TRACK ASSEMBLY .....	1	
2	8E7-47411-00-00	FRAME, SLIDING 1 .....	2	
3	8N5-47421-10-XX	UNAVAILABLE IN PRICE BOOK (8E7-47421-10-00) .....	2	
4	98702-06020-00	SCREW, FLAT HEAD (92702-06020) .....	2	
5	90201-065F3-00	WASHER, PLATE .....	4	
6	8E3-47457-00-00	DAMPER 2 .....	2	
7	885-47457-00-00	DAMPER 2 .....	2	
8	885-47458-01-00	PLATE, DAMPER .....	4	
9	98501-05030-00	SCREW, PAN HEAD .....	4	
10	92990-05100-00	WASHER, SPRING .....	4	
11	95380-05600-00	NUT .....	4	
12	8A5-47412-00-00	FRAME, SLIDING 2 .....	1	
13	8A5-47413-00-00	FRAME, SLIDING 3 .....	1	
14	90119-08008-00	BOLT, WITH WASHER .....	4	
15	8E3-47422-00-00	RUNNER, SLIDING 2 .....	2	
16	97011-06025-00	BOLT (97001-06025) .....	4	
17	92995-06100-00	WASHER, SPRING .....	4	
18	90101-10293-00	BOLT .....	2	
19	95303-10700-00	NUT .....	2	
20	90201-08649-00	WASHER, PLATE .....	4	
21	90387-08497-00	COLLAR .....	1	
22	90387-08496-00	COLLAR .....	1	
23	97022-08250-00	BOLT .....	1	
24	90101-08374-00	BOLT .....	1	
25	95712-08300-00	NUT, LOCK .....	2	
26	90387-08508-00	COLLAR .....	2	
27	8A5-47417-00-00	BRACKET 3 .....	1	

CONTINUED ON NEXT FRAME ►

Property of [www.SmallEngineDiscount.com](http://www.SmallEngineDiscount.com) - Not for Resale

# TRACK - SUSPENSION

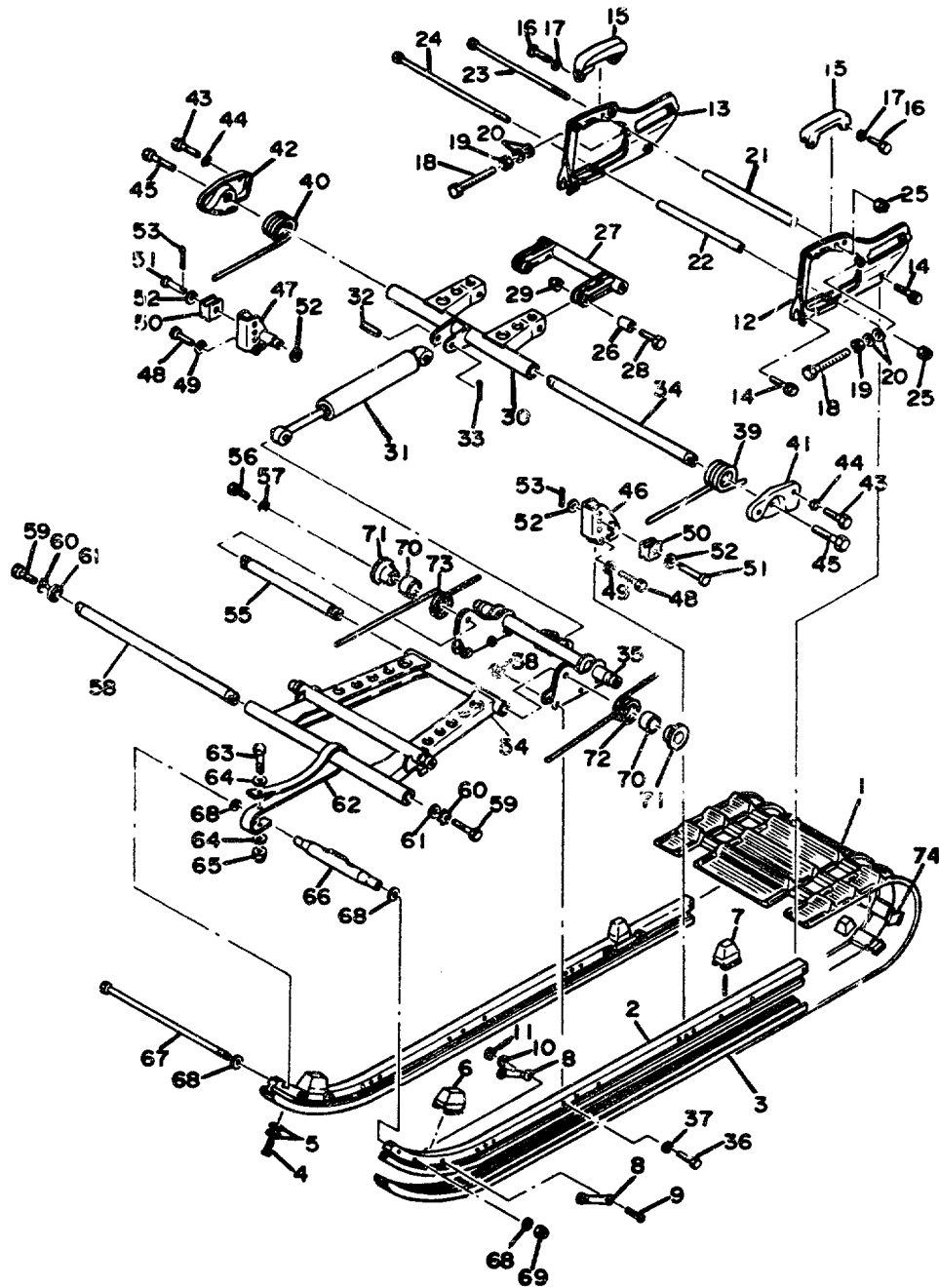


Ref. No.	Part Number	Description	Qty	Remarks
28	97313-08050-00	BOLT, HEXAGON (90101-08125)	2	
29	95712-08300-00	NUT, LOCK	2	
30	8A5-47332-00-00	ARM, PIVOT 2	1	
31	8E7-47480-00-00	SHOCK ABSORBER	1	
32	90240-12115-00	PIN, CLEVIS	2	
33	91401-30030-00	PIN, COTTER	2	
34	8A5-47475-02-00	SHAFT 2	1	
35	8R0-47416-00-00	BRACKET 2 (8A5-47416-00)	1	
36	90101-06348-00	BOLT	6	
37	92995-06100-00	WASHER, SPRING	6	
38	95701-06300-00	NUT, NYLON	6	
39	90508-95291-00	SPRING, TORSION	1	AP
	90508-99331-00	SPRING, TORSION	1	
40	90508-95292-00	SPRING, TORSION	1	AP
	90508-99332-00	SPRING, TORSION	1	
41	8A5-47425-00-00	BRACKET, REAR 2	1	
42	8A5-47426-00-00	BRACKET, REAR 1	1	
43	97313-08018-00	BOLT, HEXAGON (97301-08016)	4	
44	92901-08400-00	WASHER, EX.TOOTH	4	
45	97013-10030-00	BOLT (8J7) (97303-10030)	2	
46	(8E3-47463-00-00)	BRACKET 5	1	
47	(8E3-47464-00-00)	BRACKET 6	1	
48	90101-06348-00	BOLT	6	
49	92995-06100-00	WASHER, SPRING	6	
50	890-47447-00-00	HOOK 2	2	
51	90249-12113-00	PIN	2	
52	90201-122A7-00	WASHER, PLATE	4	
53	91401-30030-00	PIN, COTTER	2	
54	8A5-47331-01-00	ARM, PIVOT 1	1	

CONTINUED ON NEXT FRAME ➤

Property of [www.SmallEngineDiscount.com](http://www.SmallEngineDiscount.com) - Not for Resale

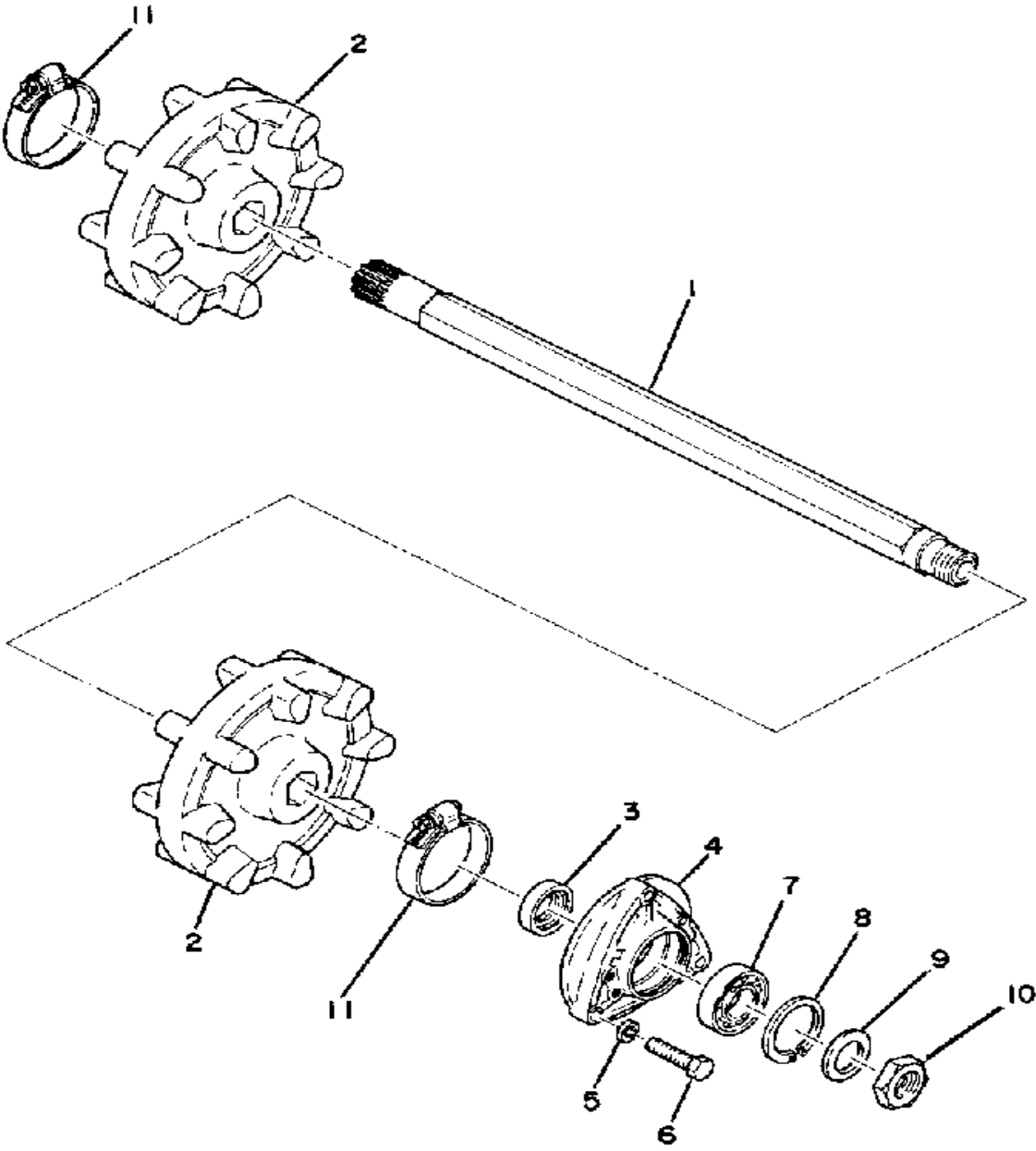
# TRACK - SUSPENSION



Ref. No.	Part Number	Description	Qty	Remarks
55	8A5-47485-02-00	SHAFT 3	1	
56	97023-10035-00	BOLT, HEXAGON	6	
57	92990-10100-00	WASHER, SPRING	6	
58	8A5-47465-02-00	SHAFT 1	1	
59	97013-10030-00	BOLT (8J7) (97303-10030)	2	
60	92901-10400-00	WASHER, EX.TOOTH	4	
61	885-47341-00-00	SPACER	2	
62	8E3-47495-00-00	STOPPER 1	1	
63	97013-06035-00	BOLT	1	
64	90201-06407-00	WASHER, PLATE (90201-06747-00)	2	
65	95701-06300-00	NUT, NYLON	1	
66	899-47415-00-00	BRACKET 1	1	
67	90101-08374-00	BOLT	1	
68	92901-08600-00	WASHER	4	
69	95712-08300-00	NUT, LOCK	1	
70	90387-30570-00	COLLAR	2	
71	8E7-47446-00-00	HOOK 1	2	
72	90508-65329-00	SPRING, TORSION	1	
73	90508-65330-00	SPRING, TORSION	1	
74	8A5-47115-00-00	METAL, SLIDE	1	

Property of [www.SmallEngineDiscount.com](http://www.SmallEngineDiscount.com) - Not for Resale

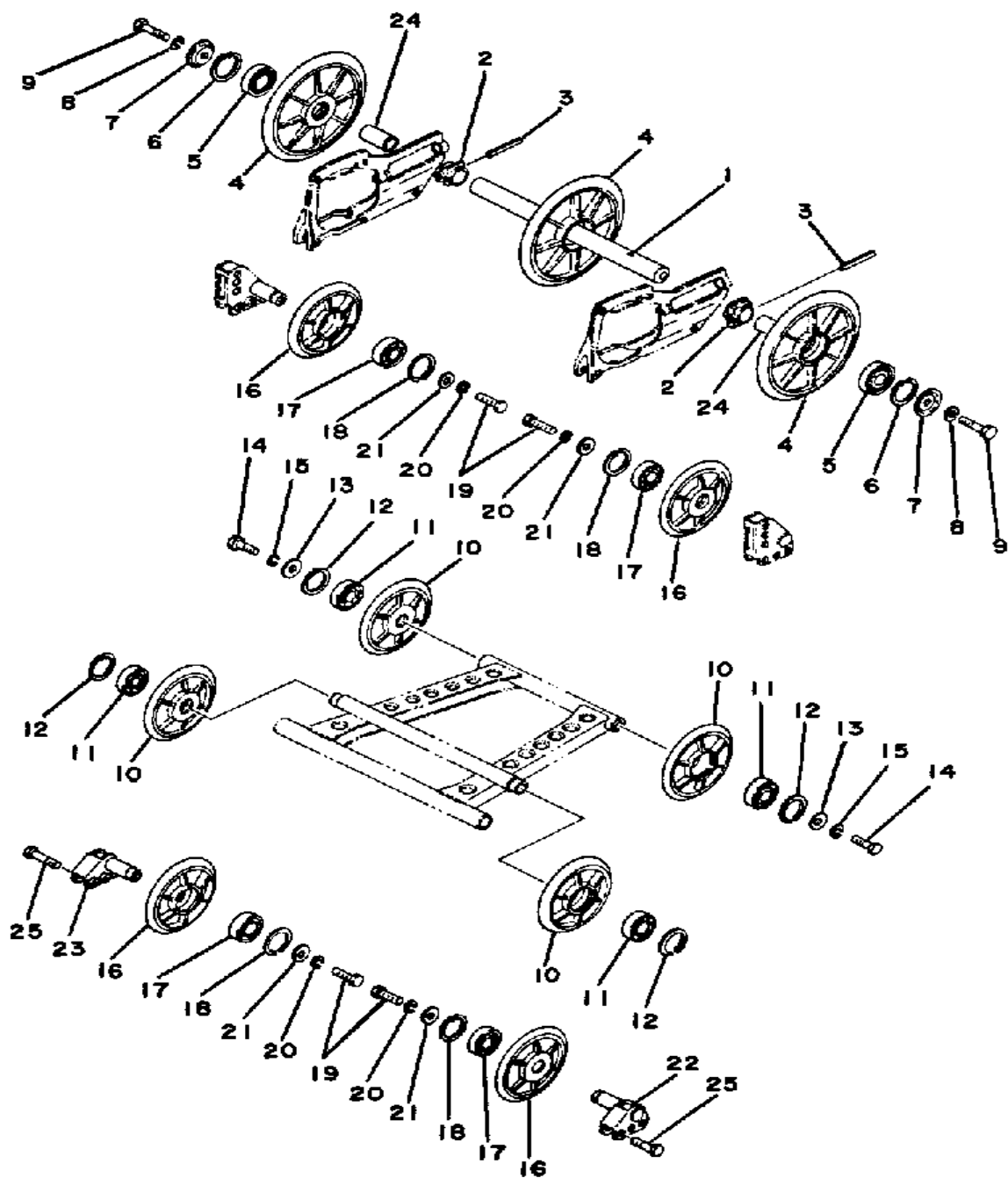
# FRONT AXLE



Ref. No.	Part Number	Description	Qty	Remarks
1	8A5-W4751-00-00	AXLE, FRONT .....	1	
2	8J7-47531-01-00	WHEEL, SPROCKET 1 .....	2	
3	93102-25084-00	OIL SEAL, SD-TYPE .....	1	
4	841-47551-00-00	HOUSING, FRONT AXLE .....	1	
5	92990-08100-00	WASHER .....	3	
6	97013-08025-00	BOLT .....	3	
7	93306-00412-00	BEARING .....	1	
8	93420-44029-00	CIRCLIP, R-TYPE .....	1	
9	90209-22001-00	UNAVAILABLE IN PRICE BOOK	1	
10	90170-22094-00	NUT .....	1	
11	90460-50079-00	CLAMP, HOSE .....	2	

Property of [www.SmallEngineDiscount.com](http://www.SmallEngineDiscount.com) - Not for Resale

# REAR AXLE - WHEEL

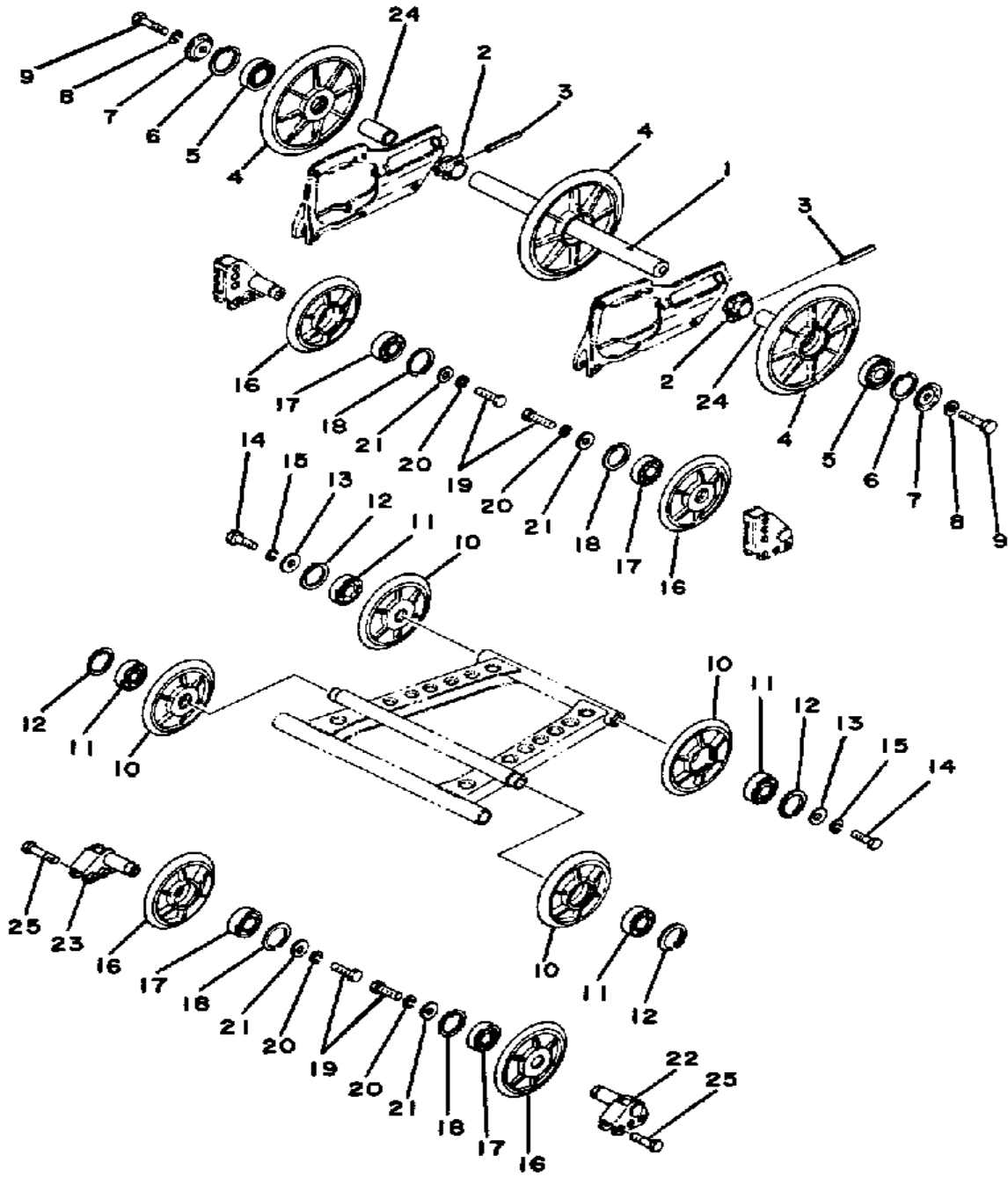


Ref. No.	Part Number	Description	Qty	Remarks
1	8A5-47521-00-00	AXLE, REAR	1	
2	885-47479-00-00	COLLAR 3	2	
3	91609-40040-00	PIN, SPRING	2	
4	8L4-47530-00-00	GUIDE WHEEL COMP.	3	
5	93306-20417-00	BEARING (B62042RS)	3	
6	99009-47500-00	CIRCLIP	3	
7	90209-08124-00	WASHER, SPEC'L SHAP	2	
8	92990-08100-00	WASHER	2	
9	97013-08025-00	BOLT	2	
10	885-47320-01-00	SUSPENSION WHEEL COMP.	4	
11	93306-00441-00	BEARING (89A) (B6004RS)	4	
12	99009-42500-00	CIRCLIP	4	
13	90209-06137-00	WASHER, SPEC'L SHAP	4	
14	90109-06464-00	BOLT	4	
15	92995-06100-00	WASHER, SPRING	4	
16	885-47320-01-00	SUSPENSION WHEEL COMP.	4	
17	93306-00441-00	BEARING (89A) (B6004RS)	4	
18	99009-42500-00	CIRCLIP	4	
19	90109-06464-00	BOLT	4	
20	92995-06100-00	WASHER, SPRING	4	
21	90209-06137-00	WASHER, SPEC'L SHAP	4	
22	8L8-47418-00-	. UNAVAILABLE IN PRICE BOOK	1	
	90109-08559-00	. BOLT	1	
	90201-08681-00	. WASHER, PLATE	1	
	99009-42500-00	. CIRCLIP	1	
	99999-02047-00	BRACKET 4 SET	1	
23	8L8-47419-00-00	. BRACKET 7	1	
	90109-08559-00	. BOLT	1	

CONTINUED ON NEXT FRAME ►

Property of [www.SmallEngineDiscount.com](http://www.SmallEngineDiscount.com) - Not for Resale

# REAR AXLE - WHEEL

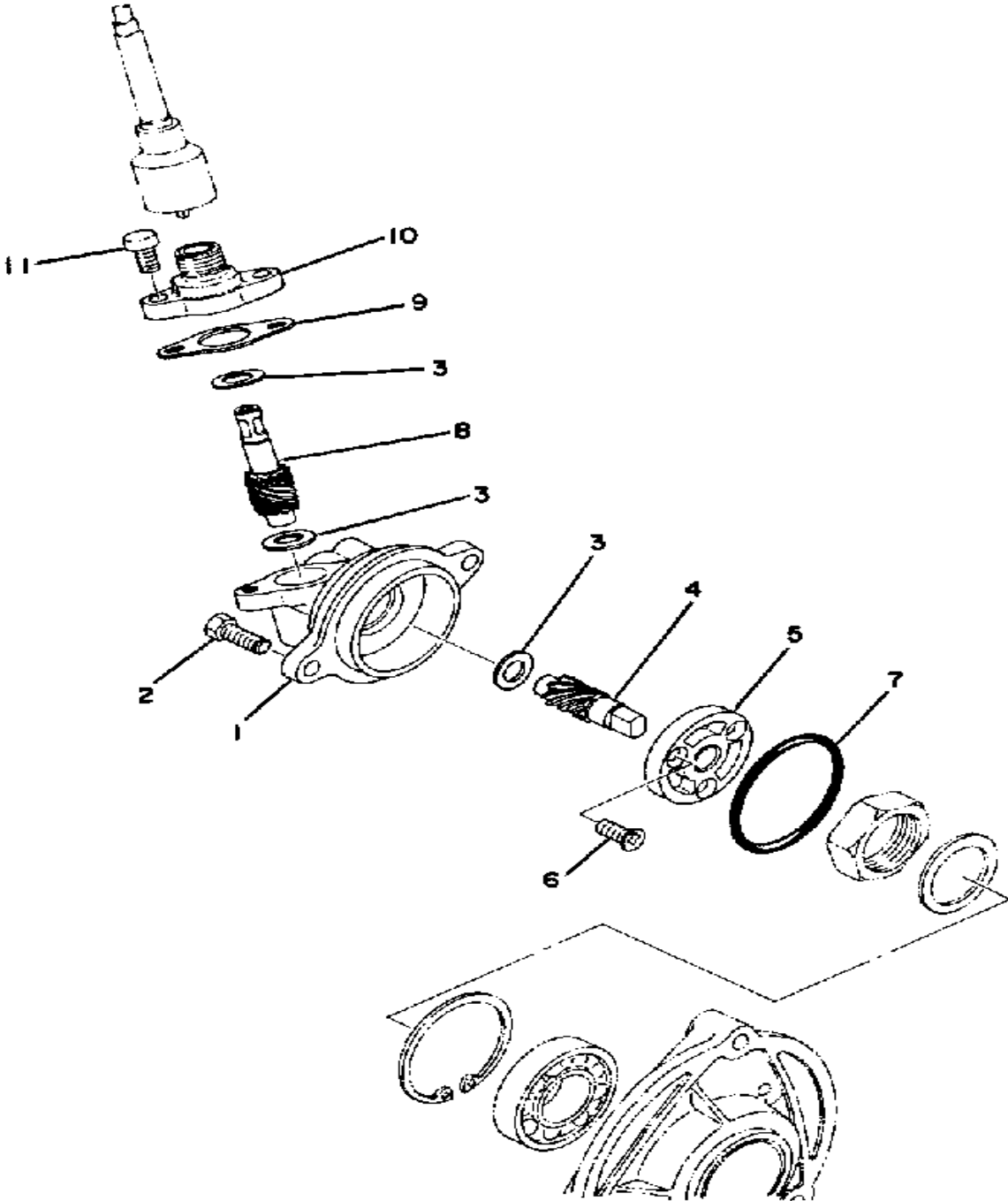


Ref. No.	Part Number	Description	Qty	Remarks
23	90201-08681-00	. WASHER, PLATE .....	1	
	99009-52500-00	. CIRCLIP .....	1	
	99999-02048-00	BRACKET 7 SET .....	1	
24	90387-20510-00	COLLAR .....	2	
25	90101-06348-00	BOLT .....	6	

Property of [www.SmallEngineDiscount.com](http://www.SmallEngineDiscount.com) - Not for Resale



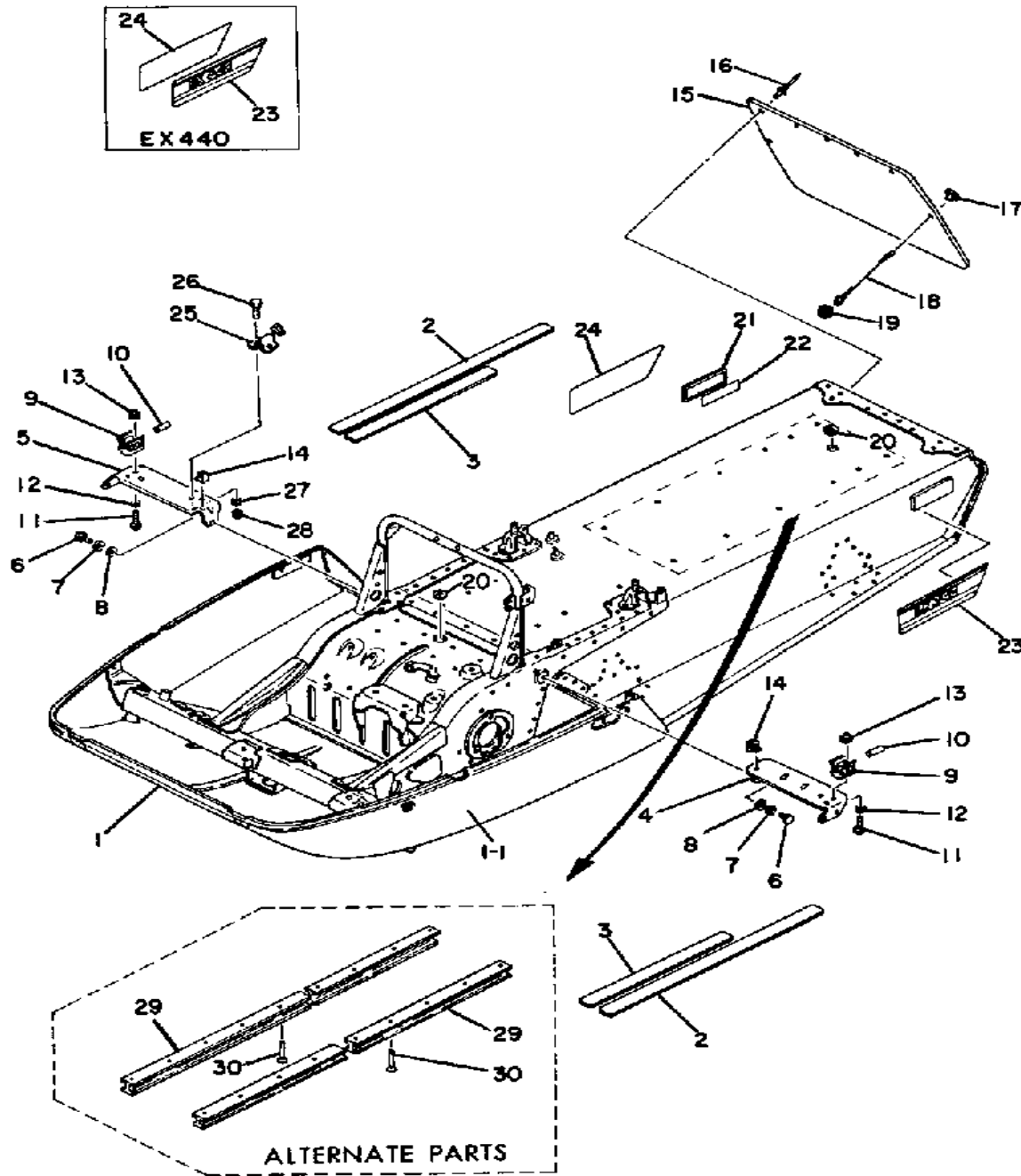
# SPEEDOMETER GEAR UNIT



Ref. No.	Part Number	Description	Qty	Remarks
1	8E6-47711-10-00	HOUSING .....	1	
2	97313-06016-00	BOLT, HEXAGON .....	2	
3	810-47717-10-00	SHIM .....	3	
4	8A5-47731-00-00	GEAR, DRIVE .....	1	
5	853-47712-10-00	JOURNAL .....	1	
6	98701-04012-00	SCREW, FLAT HEAD .....	3	
7	93210-43141-00	O-RING .....	1	
8	8A5-47741-00-00	GEAR, DRIVEN .....	1	
9	810-47727-10-00	GASKET .....	1	
10	8E3-47721-10-00	COVER, HOUSING .....	1	
11	98580-05012-00	SCREW, PAN HEAD .....	2	

Property of [www.SmallEngineDiscount.com](http://www.SmallEngineDiscount.com) - Not for Resale

# FRAME



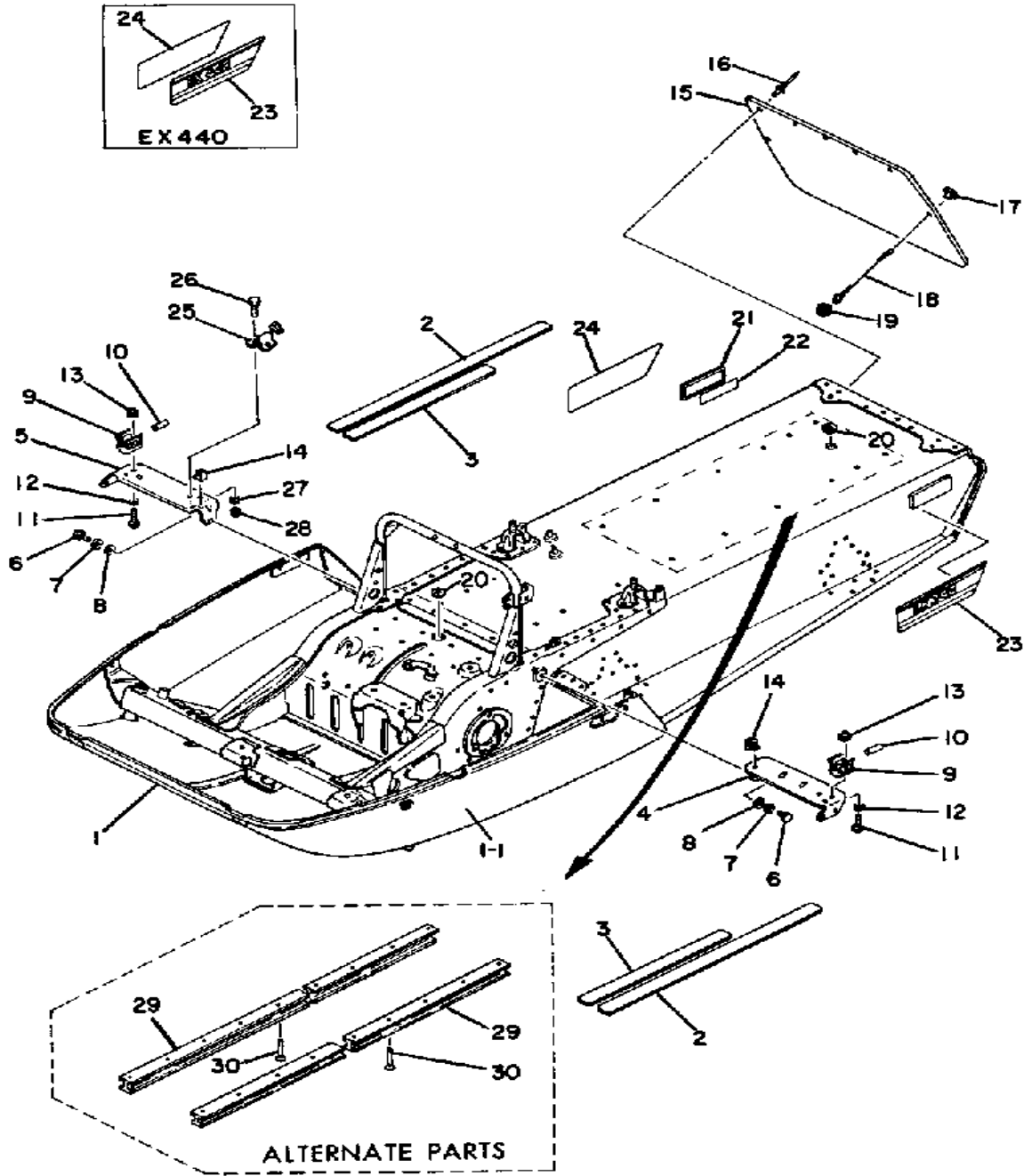
Ref. No.	Part Number	Description	Qty	Remarks
1	(8E7-21910-00-00)	FRAME	1	
2	878-27413-00-00	COVER, FOOTREST	2	
3	878-27423-00-00	COVER, FOOTREST	2	
4	(878-23883-00-00)	BRACKET 3	1	
5	8A5-23884-00-00	BRACKET 4	1	
6	97313-08018-00	BOLT, HEXAGON (97301-08016)	2	
7	92990-08100-00	WASHER	2	
8	92901-08600-00	WASHER	2	
9	878-77137-01-00	CLAMP 3	2	
10	878-77188-00-00	STOPPER	2	
11	97001-06008-00	BOLT, HEXAGON	2	
12	90201-06407-00	WASHER, PLATE (90201-06747-00)	2	
13	95701-06300-00	NUT, NYLON	2	
14	90464-04010-00	CLAMP	2	
15	8V8-77595-00-00	FLAP	1	
16	90267-48086-00	RIVET, BLIND	5	
17	90338-10024-00	PLUG, SPEC'L SHAPE	2	
18	878-77596-00-00	STOPPER, FLAP	2	
19	(90468-16059-00)	CLIP	2	
20	810-77716-00-00	ORNAMENT, INSTRUMENT PANEL 2	2	
21	81G-85130-00-00	REAR REFLECTOR ASSEMBLY	2	
22	878-85133-00-00	TAPE, REFLECTOR	2	
23	(8E7-77353-00-00)	EMBLEM 3	1	
	(8E8-77353-00-00)	EMBLEM 3	1	
24	(8E7-77354-00-00)	EMBLEM 4	1	
	8E8-77354-00-00	EMBLEM 4	1	
25	8A5-23874-00-00	HOLDER, WIRE	1	

CONTINUED ON NEXT FRAME ►

Property of [www.SmallEngineDiscount.com](http://www.SmallEngineDiscount.com) - Not for Resale

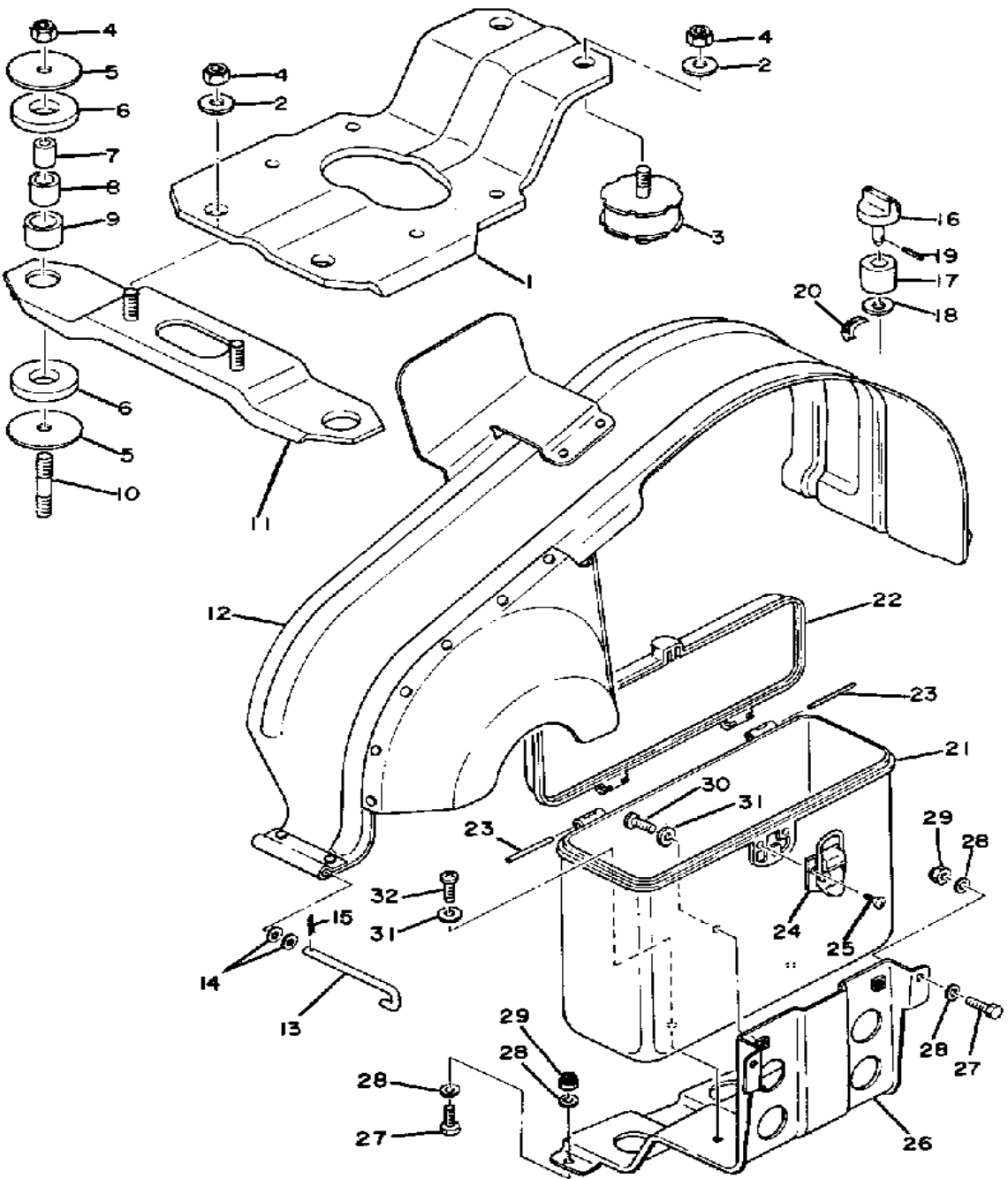
# FRAME

Ref. No.	Part Number	Description	Qty	Remarks
26	97313-06016-00	BOLT, HEXAGON	2	
27	92995-06100-00	WASHER, SPRING	2	
28	95701-06300-00	NUT, NYLON	2	
29	888-21978-00-00	PROTECTOR, FRAME	1	AP
30	99100-40114-00	RIVET, FLAT HEAD	22	AP



Property of [www.SmallEngineDiscount.com](http://www.SmallEngineDiscount.com) - Not for Resale

# ENGINE BRACKET - LUGGAGE BOX

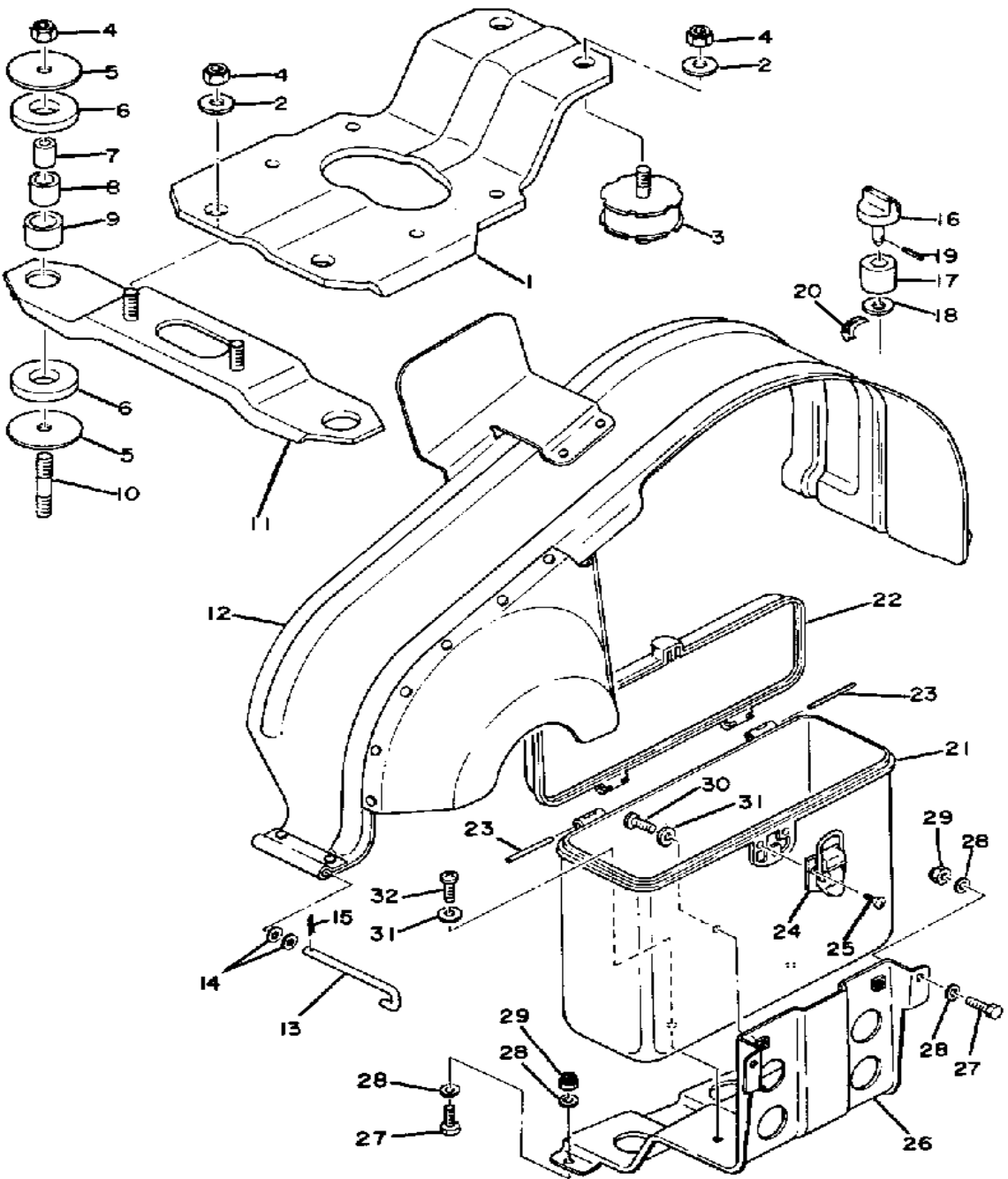


Ref. No.	Part Number	Description	Qty	Remarks
1	8A5-21411-00-00	BRACKET, ENGINE 1	1	
2	90201-10321-00	WASHER, PLATE	4	
3	857-21486-00-00	DAMPER 2	2	
4	90185-10017-00	NUT, SELF-LOCKING	6	
5	90201-10151-00	WASHER, PLATE	4	
6	8A5-21485-00-00	DAMPER, RUBBER 1	4	
7	90387-10514-00	COLLAR	2	
8	90385-15025-00	BUSH, SPEC'L RUBBER	2	
9	90387-21515-00	COLLAR	2	
10	95611-10345-00	BOLT, STUD	2	
11	8A5-21419-00-00	BRACKET, ENGINE 2	1	
12	8E7-77311-00-00	GUARD, DRIVE	1	
13	91701-06082-00	PIN, CLEVIS	1	
14	92901-06600-00	WASHER	2	
15	91490-20020-00	PIN, COTTER	1	
16	8A5-77324-00-00	KNOB	2	
17	90385-08009-00	BUSH, SPEC'L RUBBER	2	
18	90201-08104-00	WASHER, PLATE	2	
19	91609-40024-00	PIN, SPRING (91609-40025-00)	2	
20	(829-77366-00-00)	EMBLEM 1	2	
21	(8E7-77391-00-00)	LUGGAGE BOX	1	
22	8E7-77392-00-00	COVER, LUGGAGE BOX	1	
23	90249-03021-00	PIN, SPEC'L SHAPE	2	
24	8E7-77340-00-00	LUGGE BOX LTCH ASSEMBLY	1	
25	98702-03008-00	SCREW, FLAT HEAD	3	
26	(8E7-77397-00-00)	STAY 1	1	
27	97313-06016-00	BOLT, HEXAGON	5	
28	92901-06600-00	WASHER	10	
29	95701-06300-00	NUT, NYLON	5	

CONTINUED ON NEXT FRAME ➤

Property of [www.SmallEngineDiscount.com](http://www.SmallEngineDiscount.com) - Not for Resale

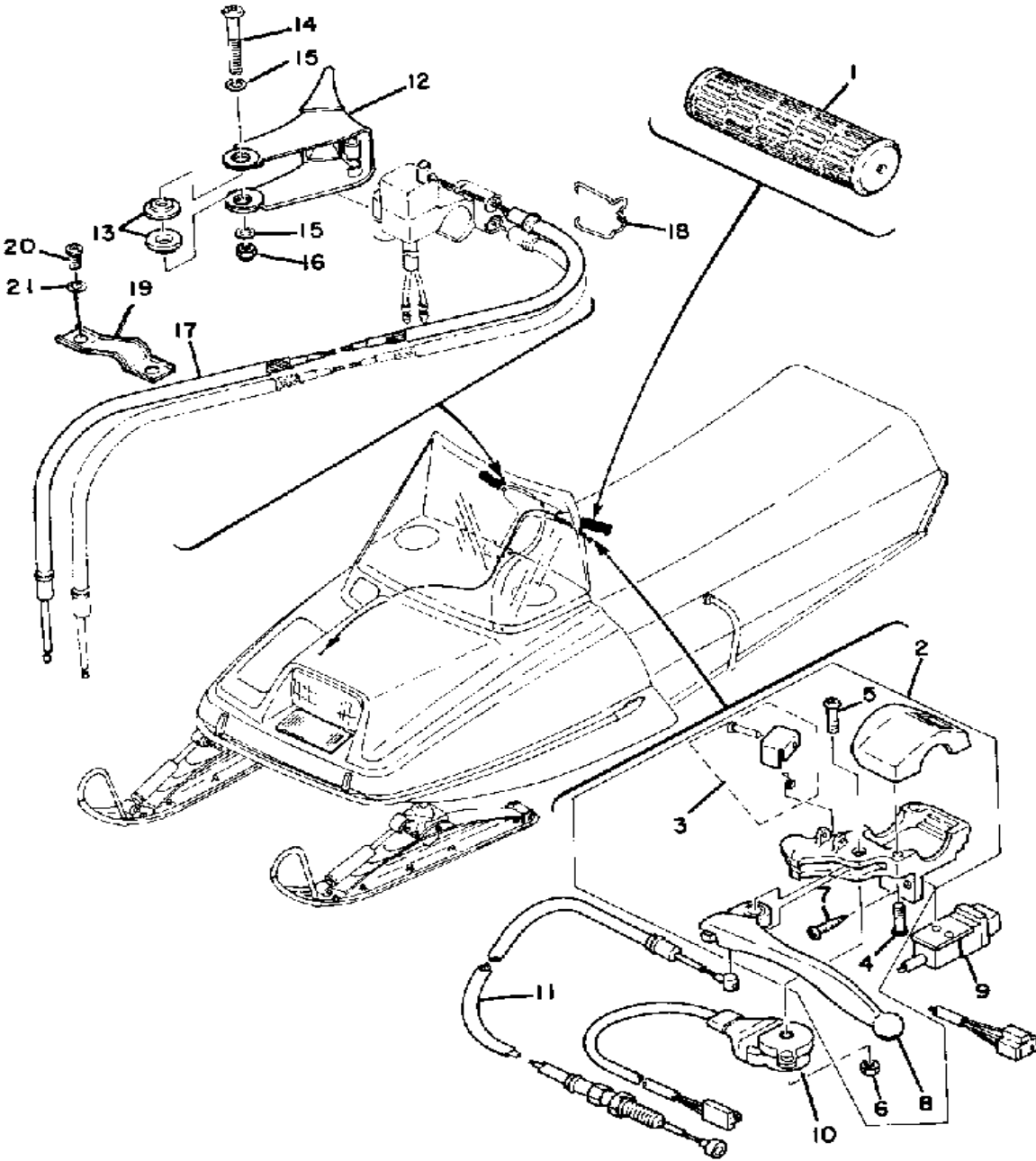
# ENGINE BRACKET - LUGGAGE BOX



Ref. No.	Part Number	Description	Qty	Remarks
30	98903-06012-00	SCREW, BIND .....	2	
31	90201-06407-00	WASHER, PLATE (90201-06747-00) .....	4	
32	97313-06016-00	BOLT, HEXAGON .....	2	

Property of [www.SmallEngineDiscount.com](http://www.SmallEngineDiscount.com) - Not for Resale

# GRIP - WIRING

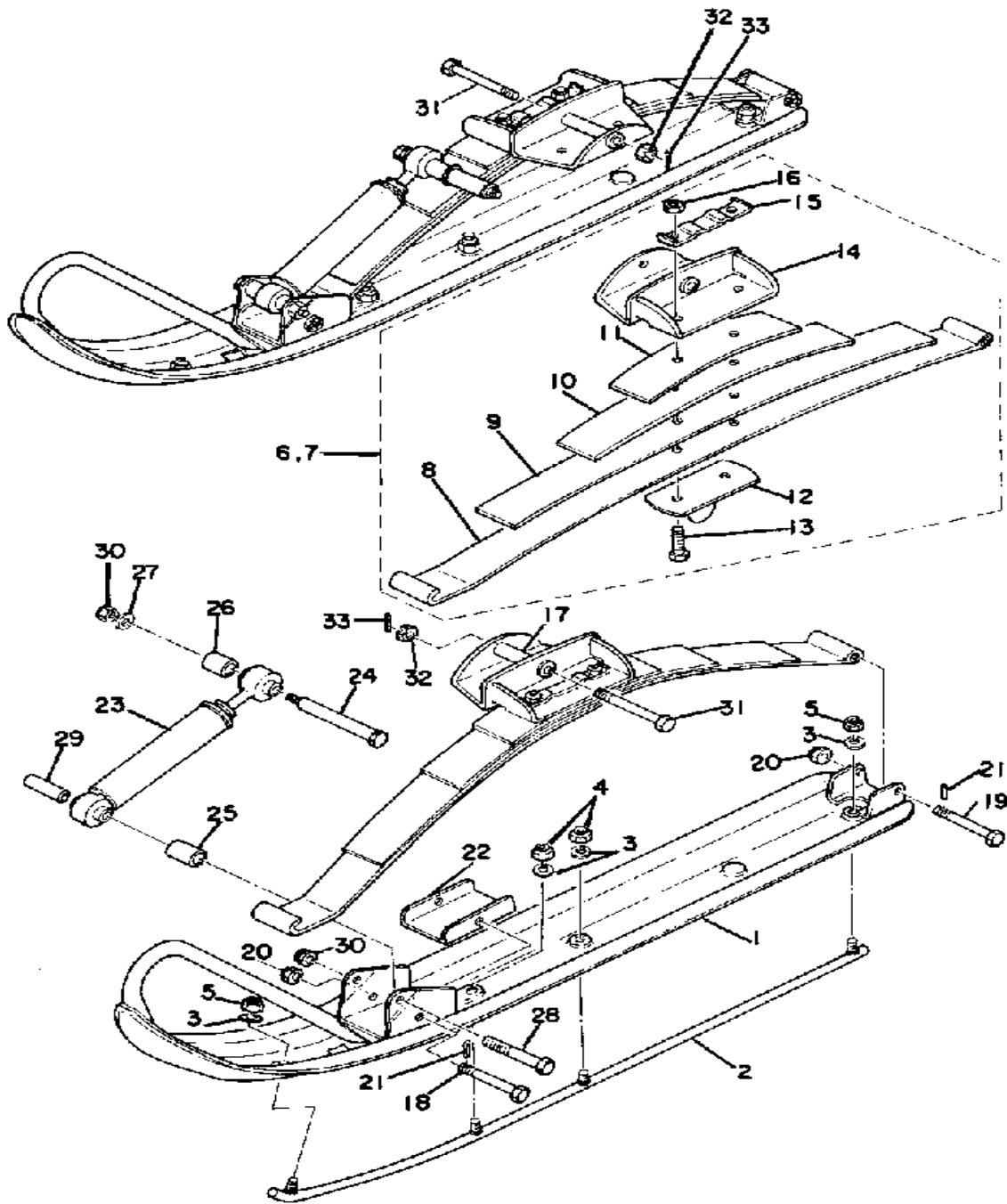


Ref. No.	Part Number	Description	Qty	Remarks
1	801-26241-01-00	GRIP .....	2	
2	8E3-W8291-01-00	LEVER HOLDER ASSEMBLY (LEFT) .....	1	
3	8E3-83930-00-00	. LEVER LOCK ASSEMBLY ...	1	
4	98501-05018-00	. SCREW, PAN HEAD .....	2	
5	98501-05035-00	. SCREW, PAN HEAD .....	1	
6	95701-05300-00	. NUT, NYLON .....	1	
7	97780-30312-00	. SCREW, tapping .....	1	
8	803-83912-00-38	. LEVER 1 .....	1	
9	8H8-83950-01-00	BEAM SWITCH ASSEMBLY (8K4-83950-01-00) .....	1	
10	8R4-82530-00-00	STOP SWITCH ASSEMBLY ...	1	
11	8A5-26340-00-00	CABLE, BRAKE .....	1	
12	(8H0-42138-00-00)	LEVER, THROTTLE .....	1	
13	90387-062M9-00	COLLAR .....	2	
14	98580-06545-00	SCREW PAN HEAD (92503-06045) .....	2	
15	92901-06600-00	WASHER .....	2	
16	95701-06300-00	NUT, NYLON .....	1	
17	8A5-26311-00-00	CABLE, THROTTLE 1 .....	1	
18	(878-26391-00-00)	CLIP, CABLE .....	1	
19	8E7-26393-00-00	HOLDER .....	1	
20	98580-05010-00	SCREW, PAN HEAD .....	2	
21	92990-05100-00	WASHER, SPRING .....	2	

Property of [www.SmallEngineDiscount.com](http://www.SmallEngineDiscount.com) - Not for Resale



# SKI

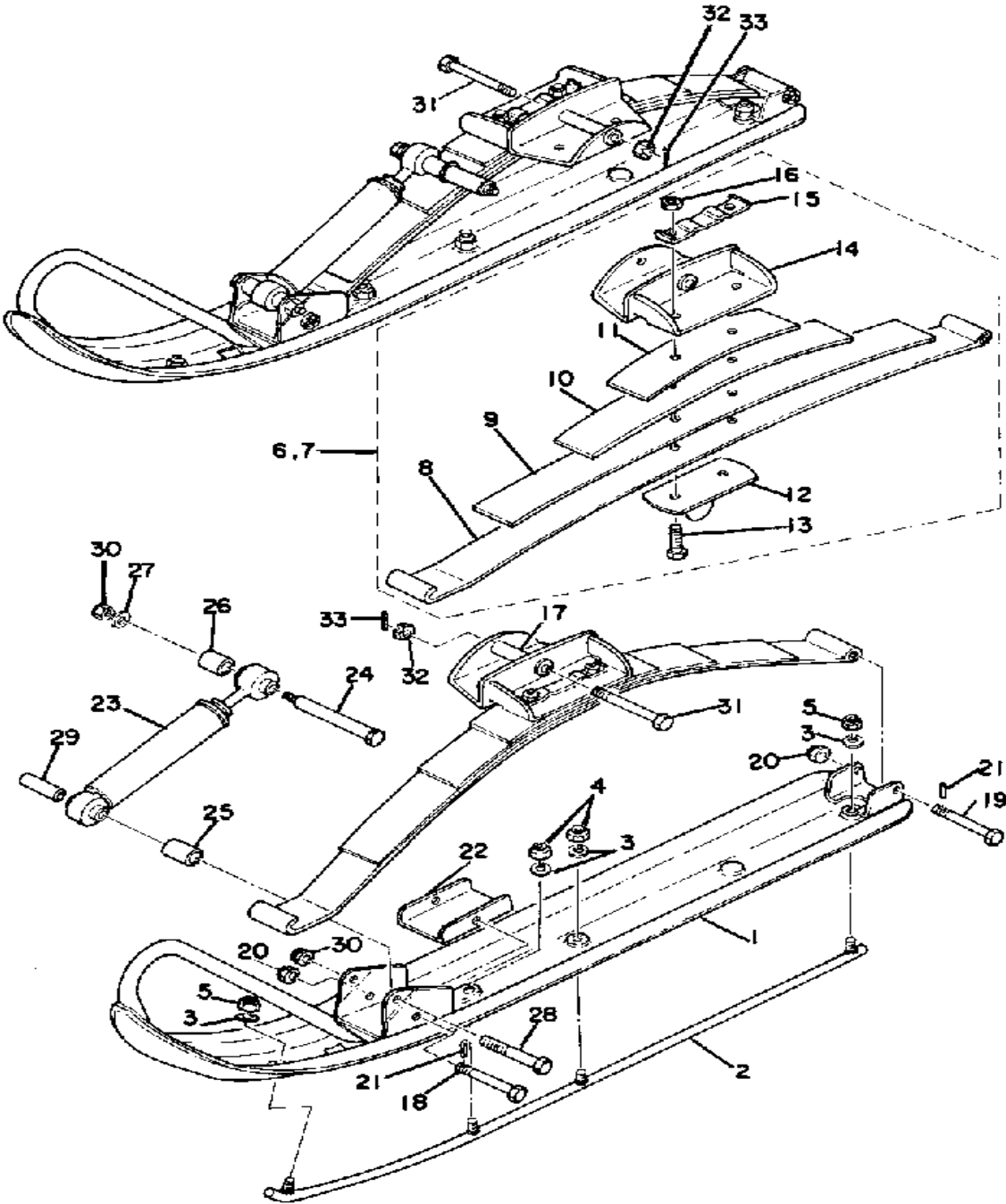


Ref. No.	Part Number	Description	Qty	Remarks
1	8E3-23710-09-00	SKI COMP. 1	2	
2	8E3-23731-00-XX	RUNNER 1 (8E3-23731-01-00)	2	
3	92901-08600-00	WASHER	8	
4	90185-08055-00	NUT, SELF-LOCKING	4	
5	95712-08300-00	NUT, LOCK	4	
6	(888-23760-01-00)	SPRING ASSEMBLY 1	1	
7	(888-23770-01-00)	SPRING ASSEMBLY 2	1	
8	888-23761-00-00	. LEAF 1	2	
9	865-23762-00-00	. LEAF 2	2	
10	888-23763-00-00	. LEAF 3	2	
11	865-23771-00-00	. LEAF 5	2	
12	878-23768-00-00	. SEAT, SPRING 1	2	
13	90109-102E1-00	. UNAVAILABLE IN PRICE BOOK (90101-10275)	4	
14	(888-23766-00-33)	SADDLE 1	2	
15	90215-10155-00	. WASHER, LOCK	2	
16	95701-10500-00	. NUT, FLANGE (95702-10500)	4	
17	90387-08478-00	. COLLAR	2	
18	90102-08028-00	BOLT, WITH HOLE	2	
19	90102-08027-00	BOLT, WITH HOLE	2	
20	95712-08300-00	NUT, LOCK	4	
21	91490-20020-00	PIN, COTTER	4	
22	888-23735-00-00	PLATE, WEAR 1	2	
23	8A5-23350-01-00	SHOCK ABSORBER ASSEMBLY	2	
24	90109-08435-00	BOLT	2	
25	90387-12106-00	COLLAR (808-83326-00)	2	
26	90387-12534-00	COLLAR	2	
27	90201-08326-00	WASHER, PLATE	2	

CONTINUED ON NEXT FRAME ►

Property of [www.SmallEngineDiscount.com](http://www.SmallEngineDiscount.com) - Not for Resale

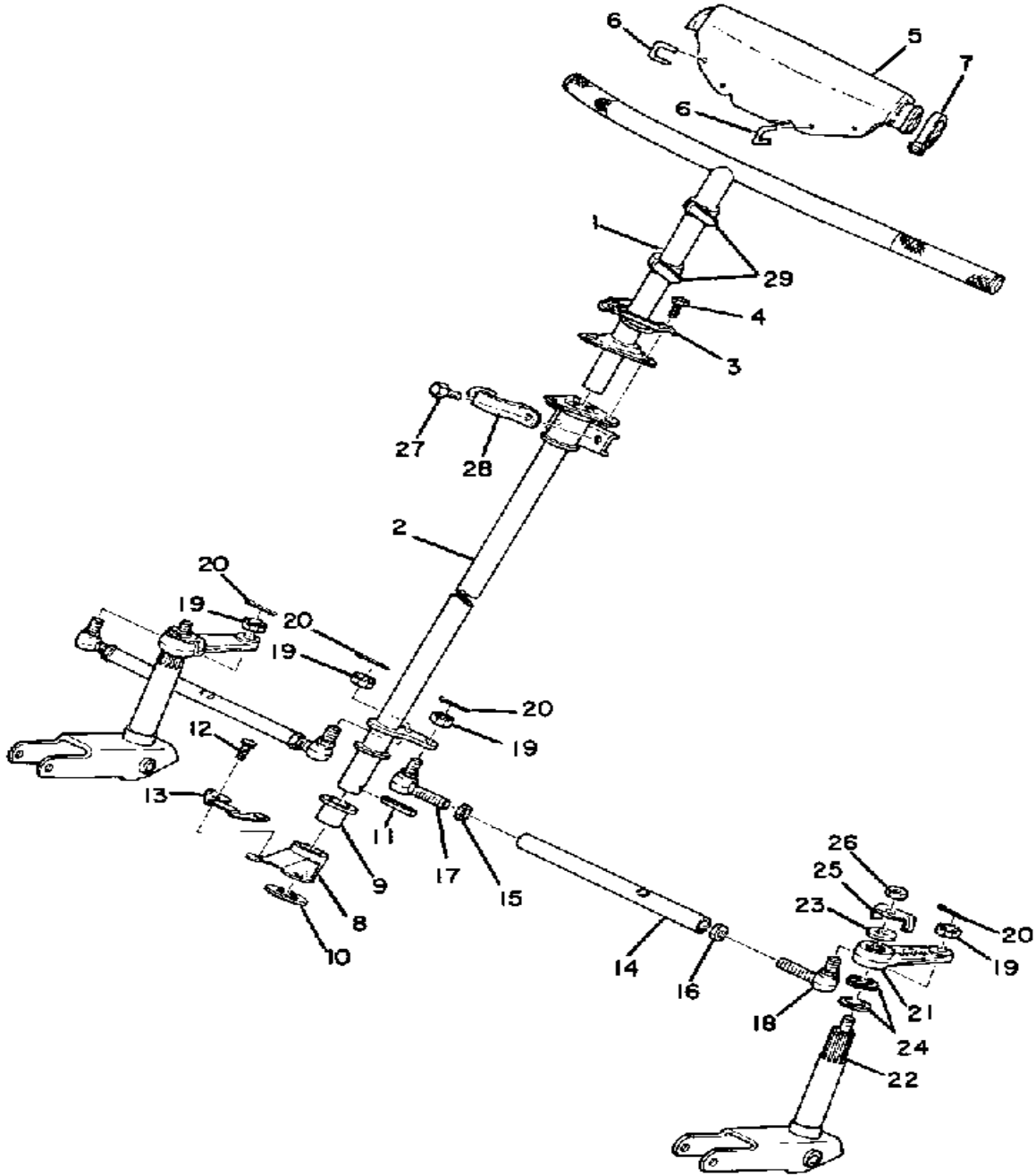
# SKI



Ref. No.	Part Number	Description	Qty	Remarks
28	97013-08075-00	BOLT .....	2	
29	90387-08224-00	COLLAR .....	2	
30	95712-08300-00	NUT, LOCK .....	4	
31	90102-12022-00	BOLT, WITH HOLE .....	2	
32	90171-12046-00	UNAVAILABLE IN PRICE BOOK (95306-12900) .....	2	
33	91401-30030-00	PIN, COTTER .....	2	

Property of [www.SmallEngineDiscount.com](http://www.SmallEngineDiscount.com) - Not for Resale

# STEERING

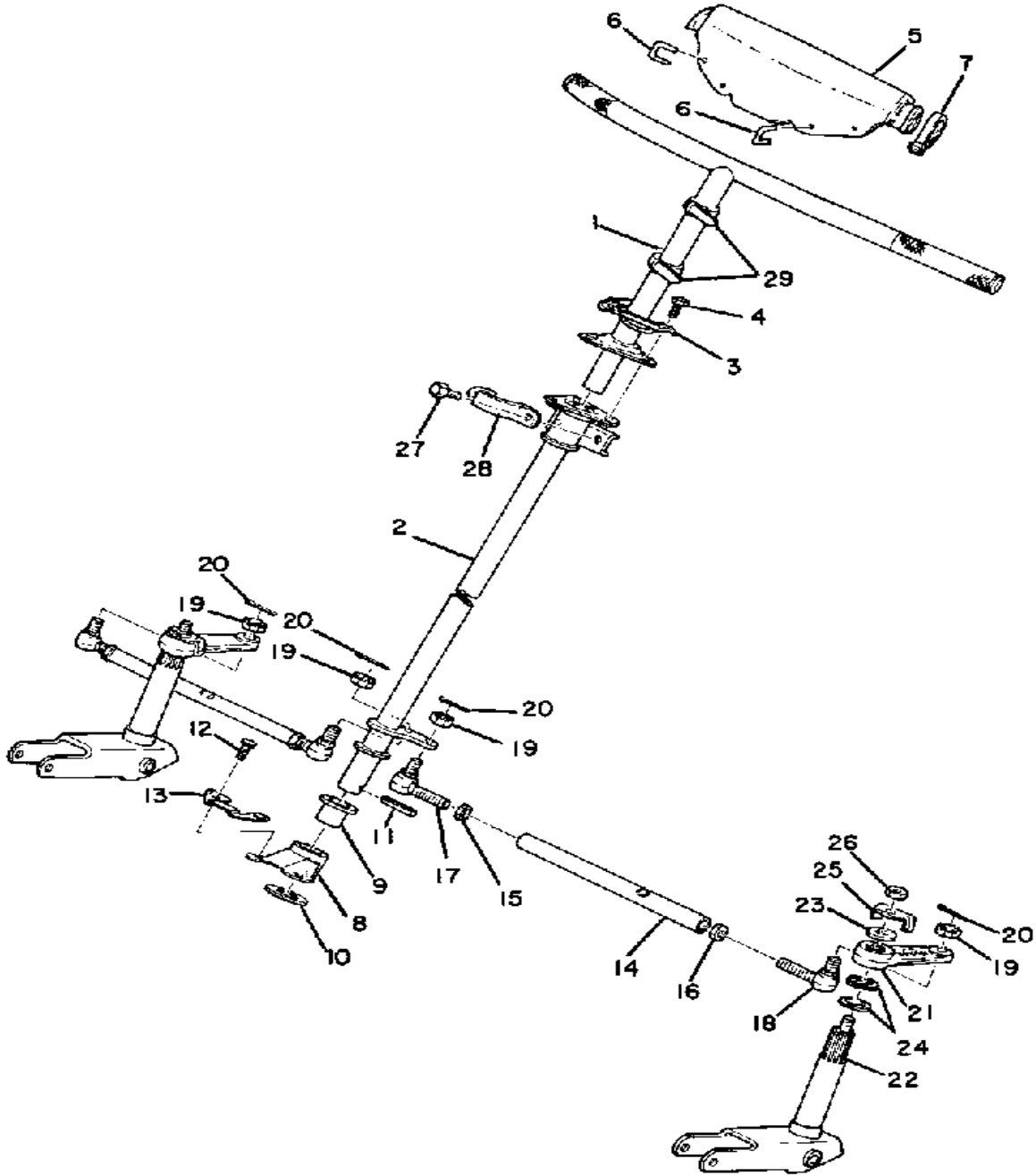


Ref. No.	Part Number	Description	Qty	Remarks
1	8E7-23811-00-00	COLUMN, STEERING	1	
2	8E7-23813-00-00	COLUMN, STEERING 2	1	
3	8A5-23894-00-00	WASHER, LOCK 1	1	
4	97013-06012-00	BOLT	3	
5	878-23815-01-00	PAD, STEERING (878-23815-00)	1	
6	(90465-05024-00)	CLAMP	4	
7	437-83936-01-00	BAND, SWITCH CORD	2	
8	8E7-23868-00-00	BRACKET, STRG LOWERLOWER	1	
9	8E7-23875-00-00	BEARING, STRG LOWERLOWER	1	
10	(856-23812-00-00)	BEARING, STEERING	1	
11	91609-60040-00	PIN, SPRING	1	
12	97313-08018-00	BOLT, HEXAGON (97301-08016)	2	
13	(8E7-23895-00-00)	WASHER, LOCK 2	1	
14	888-23821-00-00	ROD, STEERING RELAY	2	
15	95303-10700-00	NUT	2	
16	90170-10186-00	NUT	2	
17	888-23841-91-00	JOINT, UNIVERSAL 1	2	
18	888-23845-91-00	JOINT, UNIVERSAL 2	2	
19	95303-10900-00	NUT, SLOTTED	4	
20	91401-25030-00	PIN, COTTER	4	
21	888-23851-00-00	ARM, OUTSIDE 1	2	
22	888-23853-01-00	COLUMN, SKI 1	2	
23	90201-100A1-00	WASHER, PLATE	2	
24	90206-20037-00	WASHER, WAVE	4	
25	90215-10096-00	WASHER, LOCK	2	
26	95303-10600-00	NUT (95301-10600)	2	
27	97021-06030-00	BOLT	2	

CONTINUED ON NEXT FRAME ►

Property of [www.SmallEngineDiscount.com](http://www.SmallEngineDiscount.com) - Not for Resale

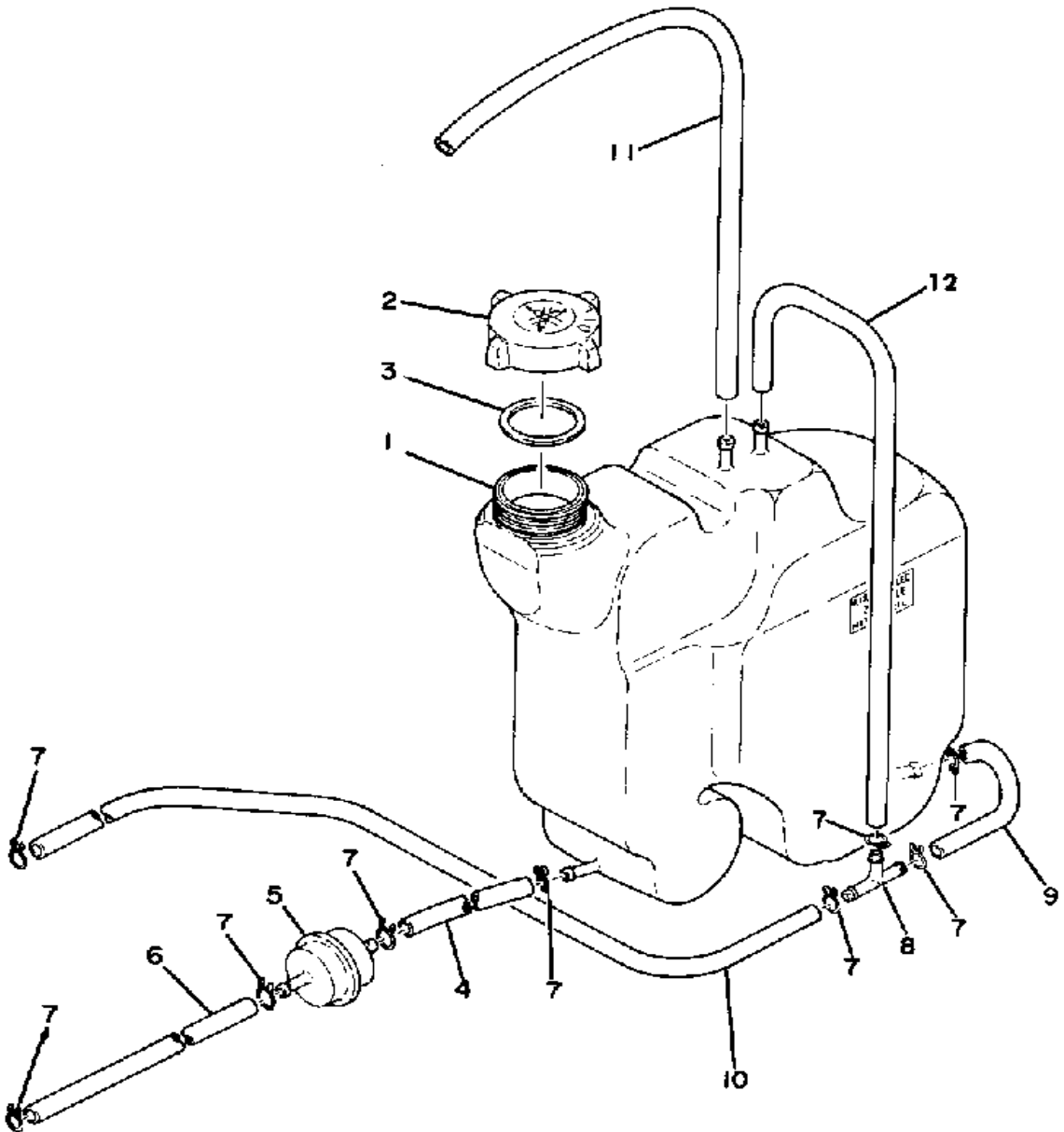
# STEERING



Ref. No.	Part Number	Description	Qty	Remarks
28	90215-06054-00	WASHER, LOCK .....	1	
29	341-26397-01-00	BAND .....	2	

Property of [www.SmallEngineDiscount.com](http://www.SmallEngineDiscount.com) - Not for Resale

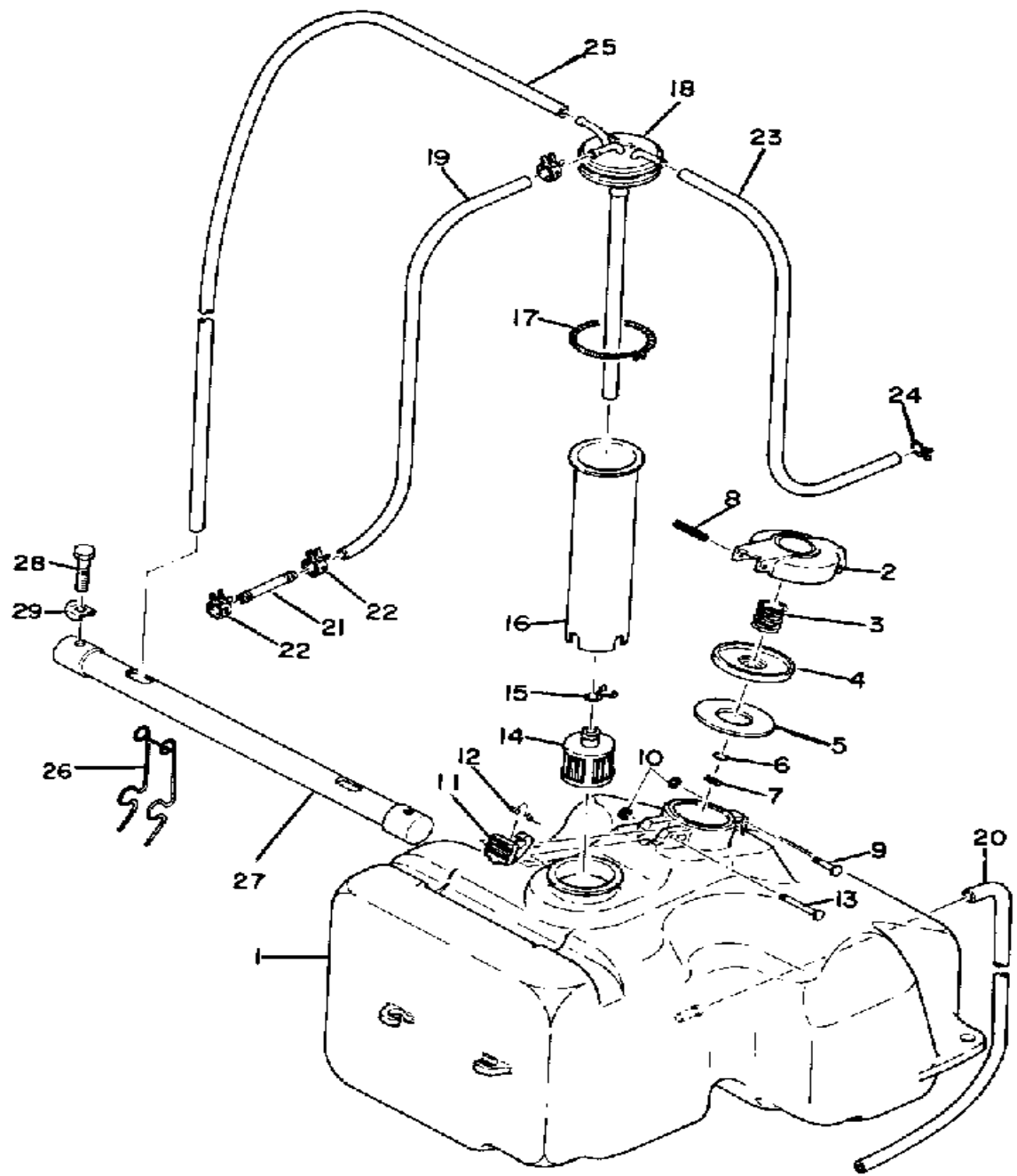
# OIL TANK



Ref. No.	Part Number	Description	Qty	Remarks
1	878-21751-01-00	TANK, OIL .....	1	
2	863-21771-00-00	BODY, CAP .....	1	
3	90430-31003-00	GASKET .....	1	
4	90446-09067-00	HOSE .....	1	
5	J10-13410-00-00	STRAINER HSNG ASSEMBLY .	1	
6	90446-09065-00	HOSE .....	1	
7	90467-09005-00	CLIP, SCISSOR .....	9	
8	801-24376-00-00	PIPE, JOINT 1 .....	1	
9	90446-09088-00	HOSE .....	1	
10	90446-09062-00	HOSE .....	1	
11	91A20-05036-00	TUBE, FLEXIBLE .....	1	
12	90446-09060-00	HOSE .....	1	

Property of [www.SmallEngineDiscount.com](http://www.SmallEngineDiscount.com) - Not for Resale

# FUEL TANK



Ref. No.	Part Number	Description	Qty	Remarks
1	8A5-24111-00-00	FUEL TANK .....	1	
2	813-24611-01-00	BODY, CAP .....	1	
3	90501-20130-00	SPRING, COMPRESSION .....	1	
4	813-24613-01-00	DISC, CAP .....	1	
5	256-24612-00-00	GASKET, CAP .....	1	
6	93210-04122-00	O-RING .....	1	
7	91609-30016-00	PIN, SPRING .....	1	
8	91609-25032-00	PIN, SPRING .....	1	
9	90249-03016-00	PIN, SPEC'L SHAPE .....	1	
10	93430-02001-00	CIRCLIP .....	2	
11	83M-24628-00-00	HOOK .....	1	
12	90508-08003-00	SPRING, TORSION (813-24637-00) .....	1	
13	90249-03017-00	PIN .....	1	
14	8H5-24560-00-00	FILTER ASSEMBLY .....	1	
15	90467-11009-00	CLIP .....	2	
16	838-24336-00-00	PIPE, SUCTION 2 .....	1	
17	90506-06065-00	SPRING, TENSION .....	1	
18	(878-24335-00-00)	PIPE, SUCTION 1 .....	1	
19	90446-11020-00	HOSE .....	1	
20	91A20-07018-00	TUBE, FLEXIBLE VINYL .....	1	
21	878-24379-00-00	PIPE, JOINT 4 .....	1	
22	90467-11028-00	CLIP .....	3	
23	90446-09013-00	HOSE (90446-09079) .....	1	
24	90467-09005-00	CLIP, SCISSOR .....	1	
25	90446-09051-00	HOSE (806-24319-00) .....	1	
26	90465-11044-00	CLAMP .....	1	
27	(878-24173-01-00)	BAND, TNK FITTING 1 .....	1	
28	97313-06040-00	BOLT, HEXAGON .....	2	

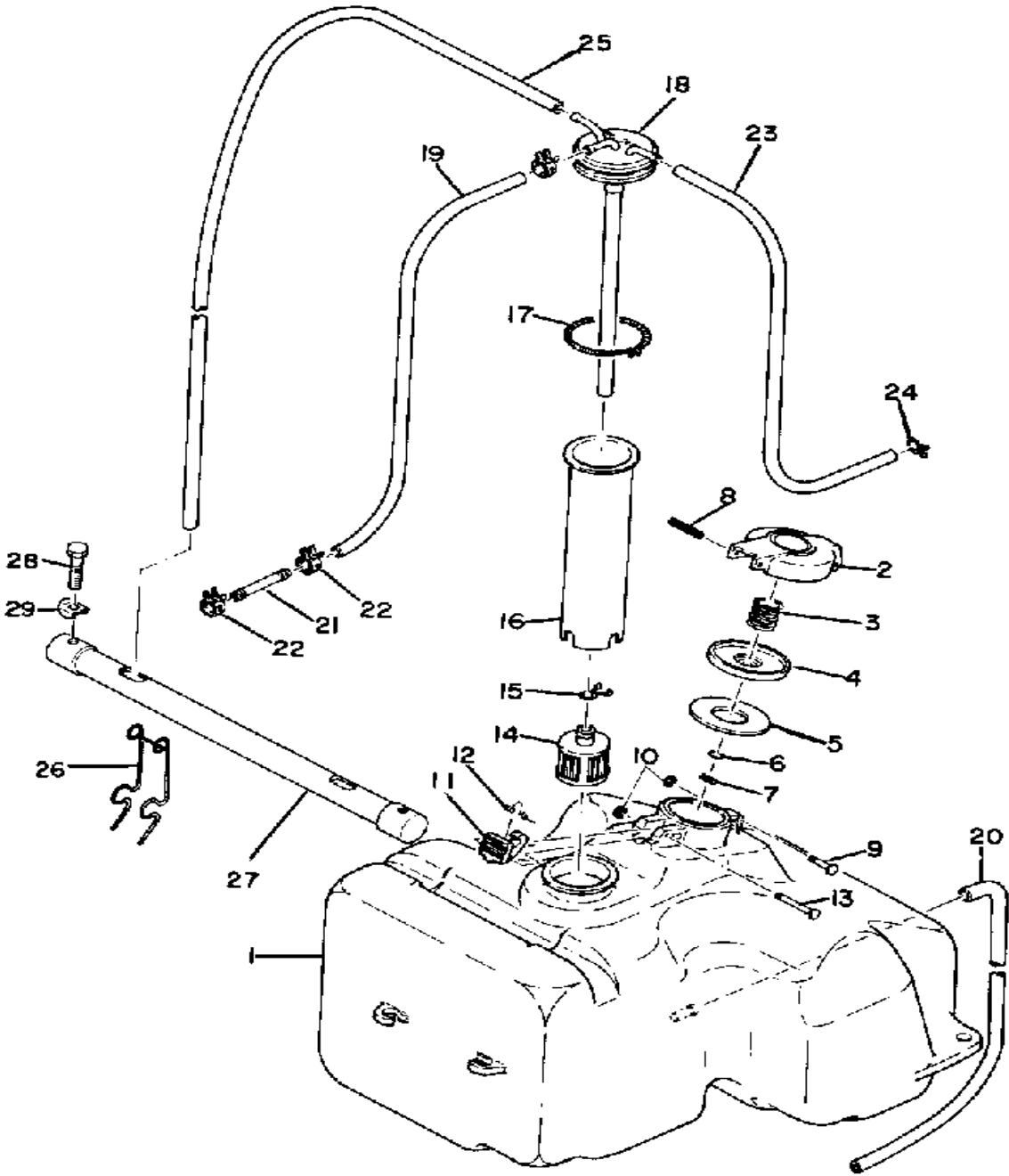
CONTINUED ON NEXT FRAME ➤

Property of [www.SmallEngineDiscount.com](http://www.SmallEngineDiscount.com) - Not for Resale



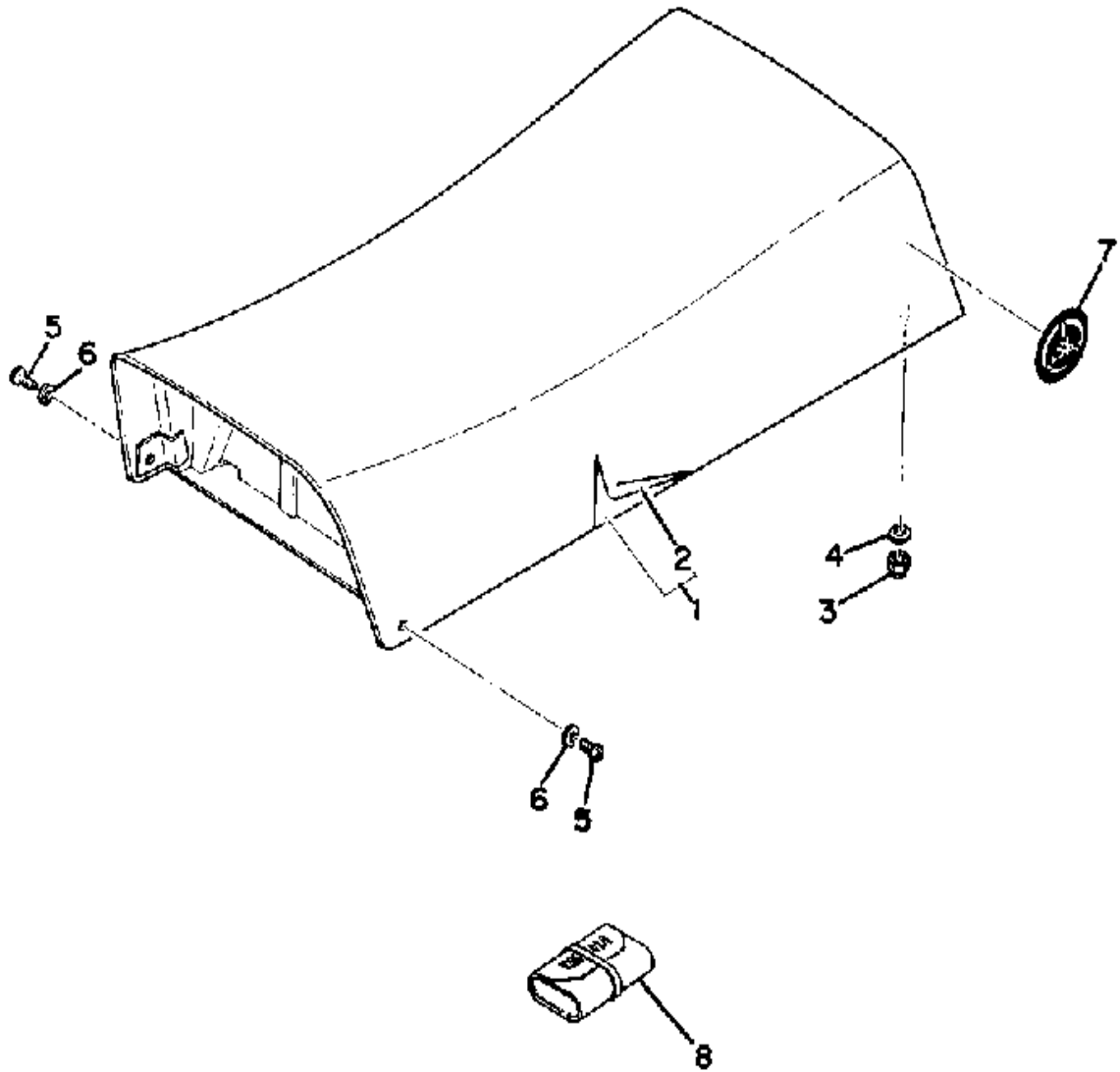
# FUEL TANK

Ref. No.	Part Number	Description	Qty	Remarks
29	(90215-06048-00)	WASHER, LOCK .....	2	



Property of [www.SmallEngineDiscount.com](http://www.SmallEngineDiscount.com) - Not for Resale

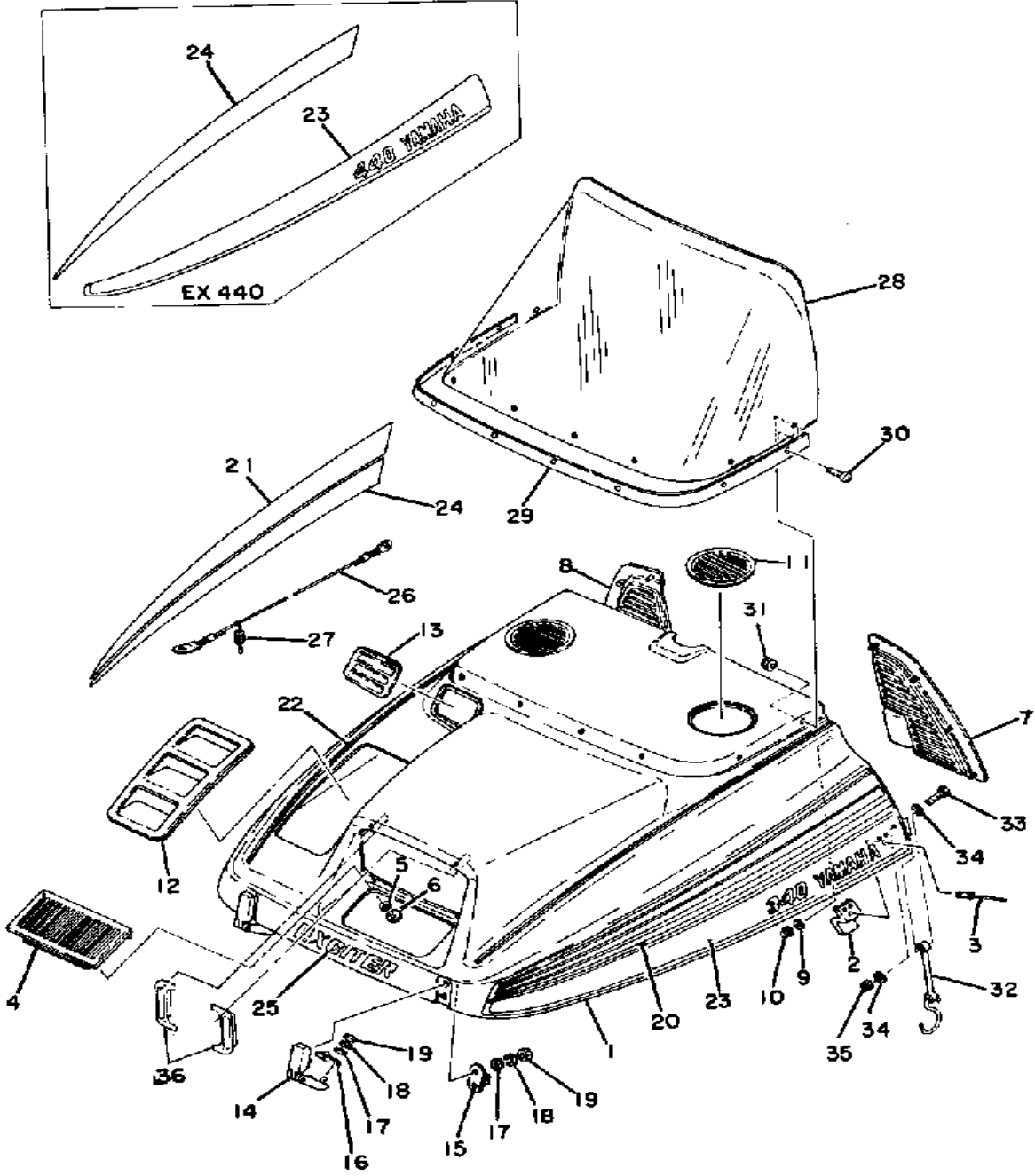
# SEAT



Ref. No.	Part Number	Description	Qty	Remarks
1	(8E7-24730-00-00)	DOUBLE SEAT ASSEMBLY ...	1	
2	8E7-24731-00-00	. COVER, DOUBLE SEAT .....	1	
3	95712-08300-00	NUT, LOCK .....	2	
4	90201-08107-00	WASHER, PLATE .....	2	
5	90154-06003-00	SCREW, BINDING .....	2	
6	90201-06059-00	WASHER, PLATE .....	2	
7	821-77352-00-00	EMBLEM 2 .....	2	
8	(8E7-28100-10-00)	TOOL KIT .....	1	
	(8E8-28100-10-00)	TOOL KIT .....	1	

Property of [www.SmallEngineDiscount.com](http://www.SmallEngineDiscount.com) - Not for Resale

# SHROUD

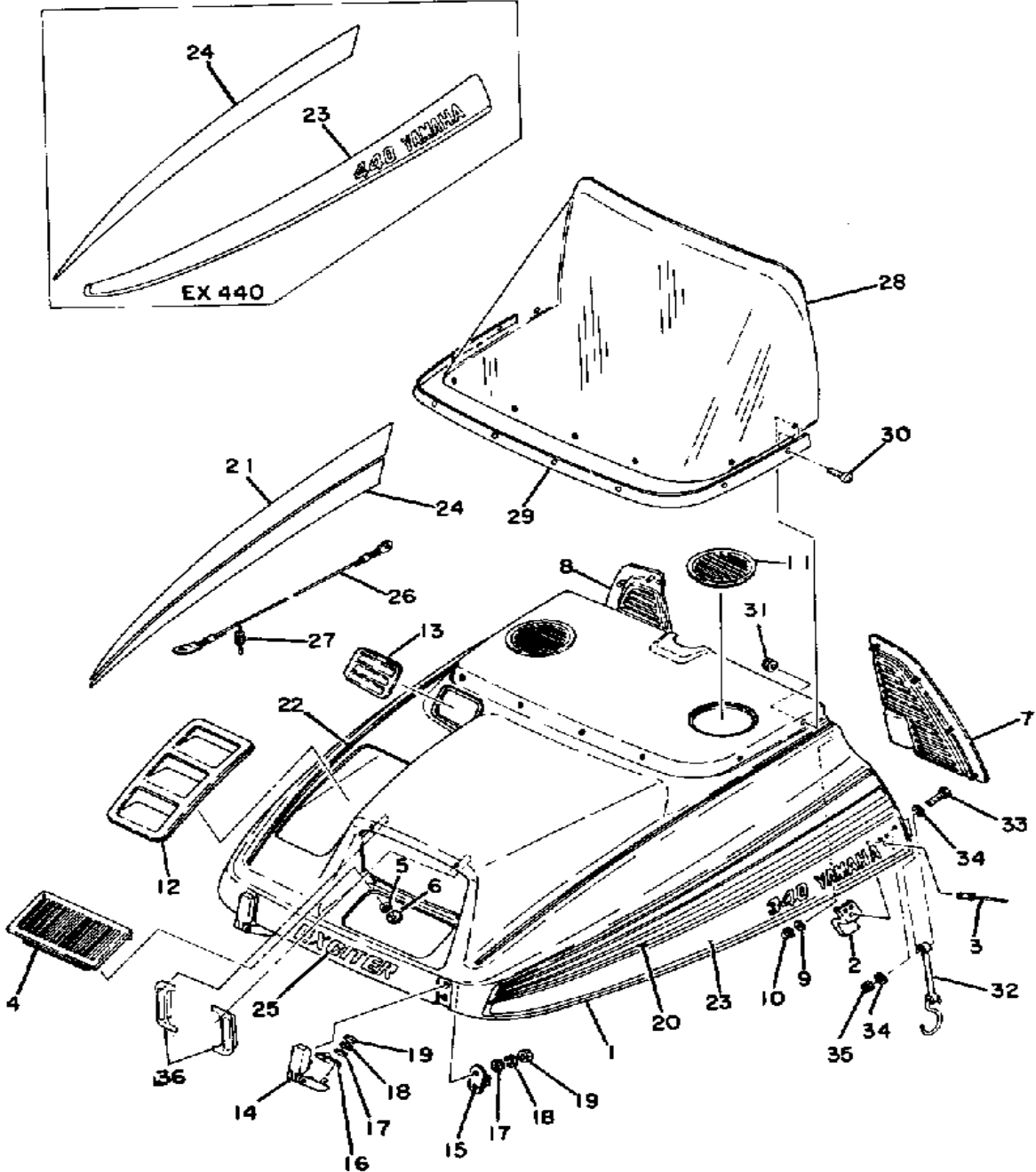


Ref. No.	Part Number	Description	Qty	Remarks
1	8E7-77110-00-00	SHROUD ASSEMBLY	1	
2	8A5-77136-01-00	CLAMP 2	2	
3	90267-40M04-00	UNAVAILABLE IN PRICE BOOK (90267-40004)	8	
4	8A5-77108-30-00	LOUVER 6	1	
5	90183-05003-00	NUT, SPRING	2	
6	838-77143-00-00	EMBLEM 3	2	
7	8A5-77131-01-00	LOUVER 1	1	
8	8A5-77132-01-00	LOUVER 2	1	
9	90201-05029-00	WASHER, PLATE	8	
10	95701-05300-00	NUT, NYLON	8	
11	8A7-77133-00-00	LOUVER 3	2	
12	8A5-77134-30-00	LOUVER 4	1	
13	8A5-77109-00-00	LOUVER 5	1	
14	878-77140-00-00	HINGE ASSEMBLY	2	
15	8G6-77153-00-00	PLATE, BACK UP 1	2	
16	878-77154-00-00	PLATE, BACK UP 2	2	
17	90201-06M08-00	WASHER, PLATE	2	
18	92995-06100-00	WASHER, SPRING	6	
19	95380-06600-00	NUT	6	
20	(8E7-77163-00-00)	ORNAMENT 1	1	
21	(8E7-77164-00-00)	ORNAMENT 2	1	
22	(8A5-77169-00-00)	ORNAMENT 3	2	
23	(8E7-77113-00-00)	ORNAMENT 4	1	
	(8E8-77113-00-00)	ORNAMENT 4	1	
24	(8E7-77114-00-00)	ORNAMENT 5	1	
	8E8-77114-00-00	ORNAMENT 5	1	
25	(8A5-77356-00-00)	EMBLEM 6	1	
26	8A5-77118-00-00	STOPPER, SHROUD	1	

CONTINUED ON NEXT FRAME ►

Property of [www.SmallEngineDiscount.com](http://www.SmallEngineDiscount.com) - Not for Resale

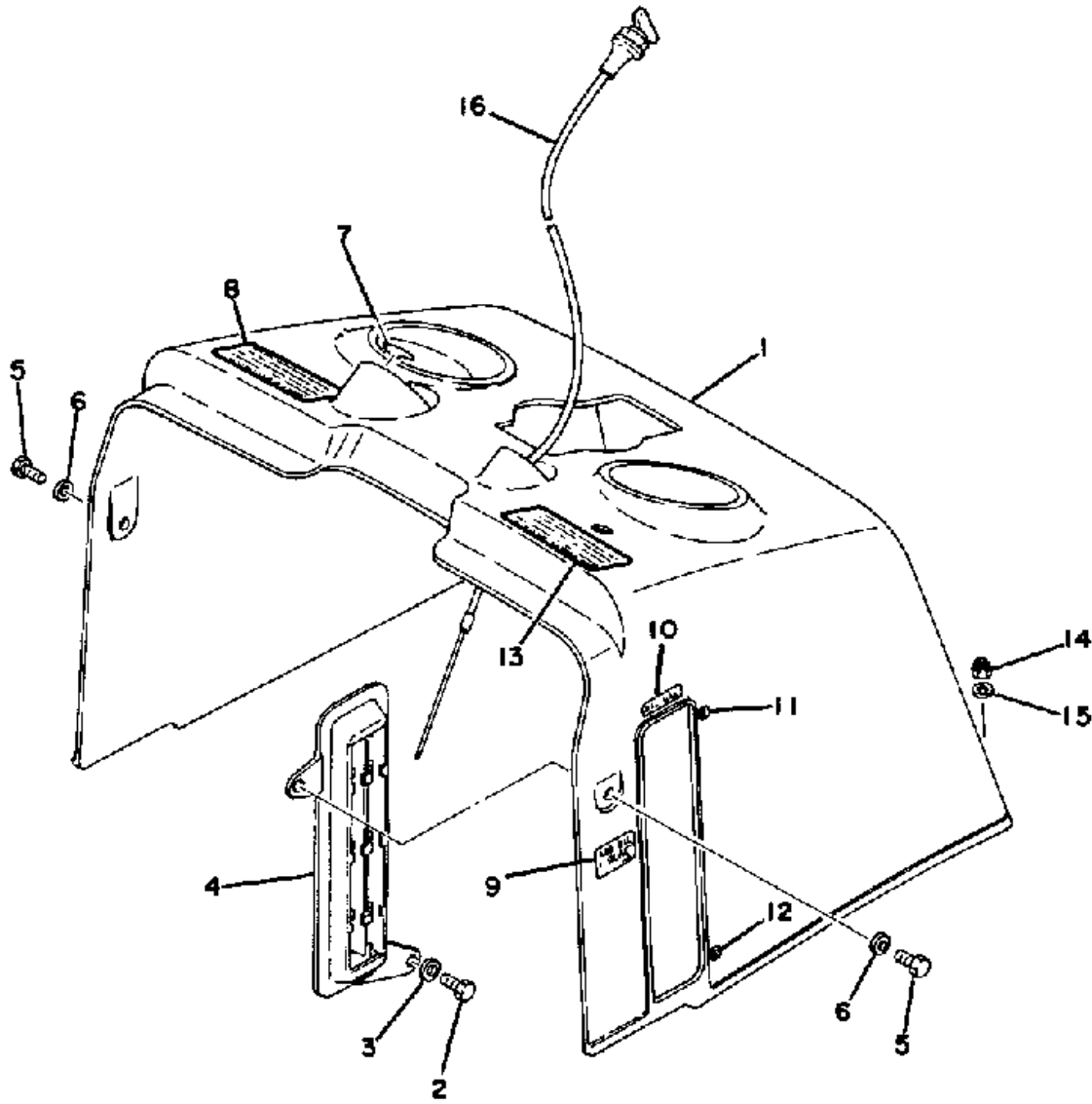
# SHROUD



Ref. No.	Part Number	Description	Qty	Remarks
27	838-77159-00-00	CLAMP, ROD .....	1	
28	8A5-77210-00-00	WINDSHIELD .....	1	
29	8E7-77110-00-00	SHROUD ASSEMBLY .....	1	
30	90154-05059-00	SCREW, BINDING .....	8	
31	95701-05300-00	NUT, NYLON .....	8	
32	856-77170-00-00	LATCH ASSEMBLY .....	2	
33	98980-06030-00	SCREW, BIND .....	2	
34	90201-06067-00	WASHER, PLATE .....	4	
35	95701-06300-00	NUT, NYLON .....	2	
36	(8A5-77194-00-00)	DUCT .....	2	

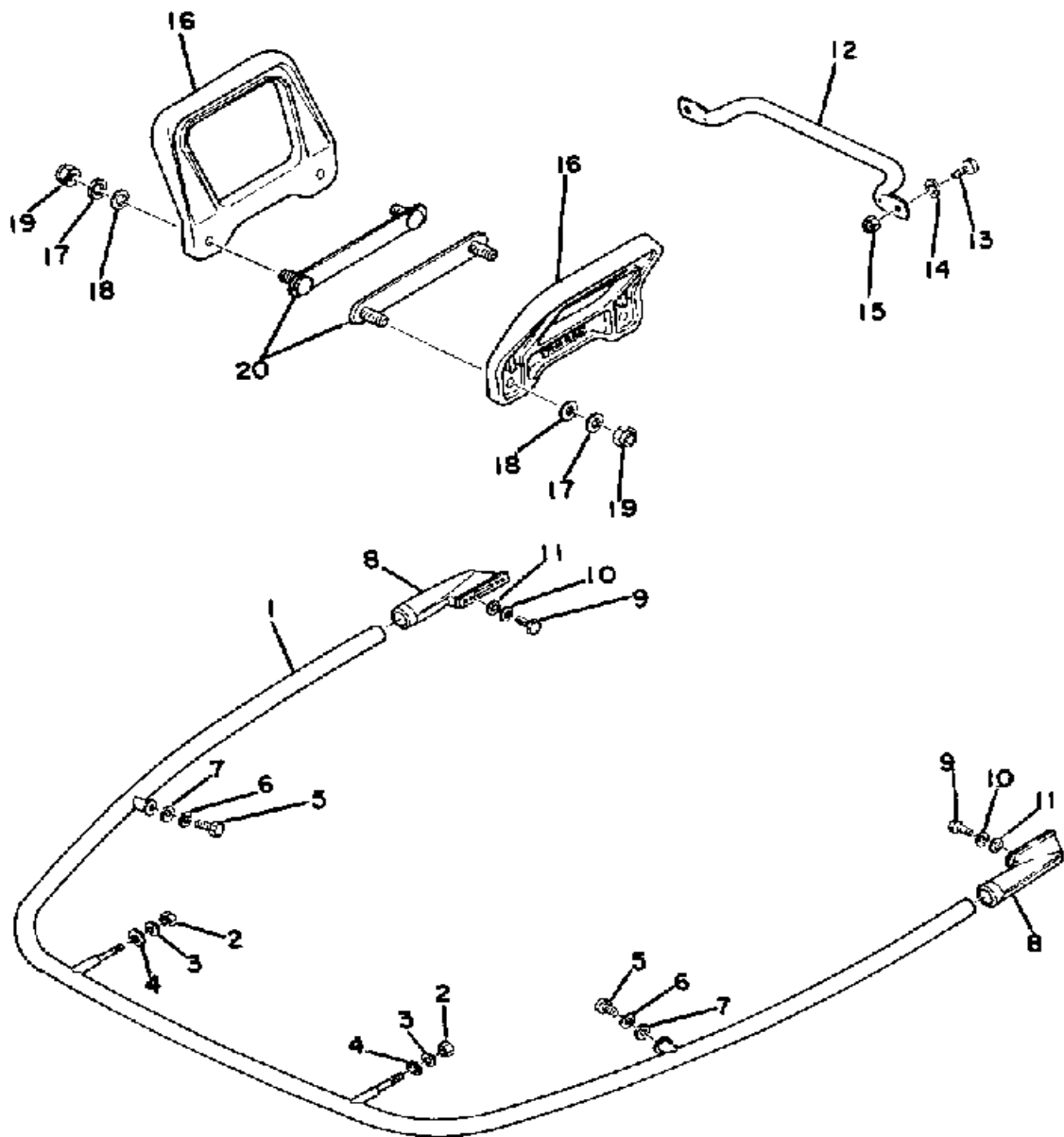
Property of [www.SmallEngineDiscount.com](http://www.SmallEngineDiscount.com) - Not for Resale

# INSTRUMENT PANEL



Ref. No.	Part Number	Description	Qty	Remarks
1	(8A5-77711-00-00)	PANEL, INSTRUMENT .....	1	
2	97016-06016-00	BOLT .....	2	
3	92906-06600-00	WASHER .....	2	
4	878-21761-00-00	GAUGE, LEVEL .....	1	
5	97013-06012-00	BOLT .....	1	
6	92901-06600-00	WASHER .....	1	
7	(878-77741-00-00)	INDICATOR 1 .....	1	
8	(8A5-77763-00-00)	LABEL, WARNING 3 .....	1	
9	8E7-77742-00-00	INDICATOR 2 .....	1	
10	878-77743-00-00	INDICATOR 3 .....	1	
11	878-77744-00-00	INDICATOR 4 .....	1	
12	878-77745-00-00	INDICATOR 5 .....	1	
13	8A5-77764-00-00	LABEL, WARNING 4 .....	1	
14	95611-08100-00	NUT, U .....	2	
15	90201-08107-00	WASHER, PLATE .....	2	
16	8A5-26331-00-00	CABLE, STARTER 1 .....	1	

Property of [www.SmallEngineDiscount.com](http://www.SmallEngineDiscount.com) - Not for Resale



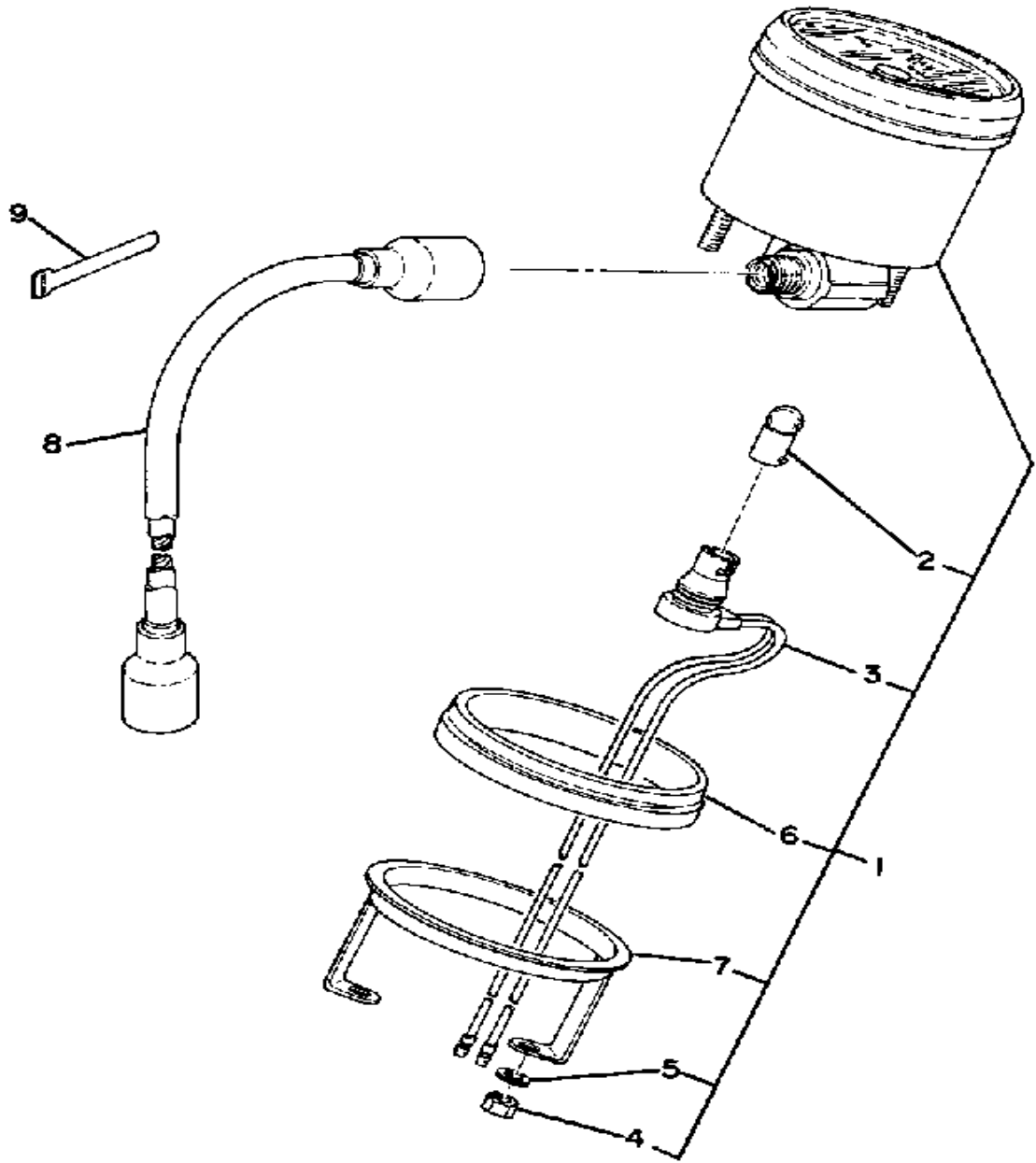
# BUMPER

Ref. No.	Part Number	Description	Qty	Remarks
1	878-77510-00-00	FRONT BUMPER .....	1	
2	95333-08600-00	NUT .....	2	
3	92990-08100-00	WASHER .....	2	
4	92901-08600-00	WASHER .....	2	
5	97001-08025-00	BOLT (1NV) .....	2	
6	92990-08100-00	WASHER .....	2	
7	92901-08600-00	WASHER .....	2	
8	878-77523-01-00	END, BUMPER .....	2	
9	97001-05018-00	BOLT HEXAGON .....	4	
10	92990-05100-00	WASHER, SPRING .....	4	
11	92901-05600-00	WASHER, PLATE .....	4	
12	8E7-77541-00-00	BUMPER, REAR 1 .....	1	
13	97313-08020-00	BOLT, HEXAGON .....	2	
14	92901-08600-00	WASHER .....	2	
15	95712-08300-00	NUT, LOCK .....	2	
16	FJ0-63771-30-00	GRIP, ASSIST .....	2	
17	92990-08100-00	WASHER .....	4	
18	90201-08107-00	WASHER, PLATE .....	4	
19	95303-08800-00	NUT (CROWN) (95301-08800) .	4	
20	898-77576-00-00	BRKT, ASSIST GRIP .....	2	

Property of [www.SmallEngineDiscount.com](http://www.SmallEngineDiscount.com) - Not for Resale



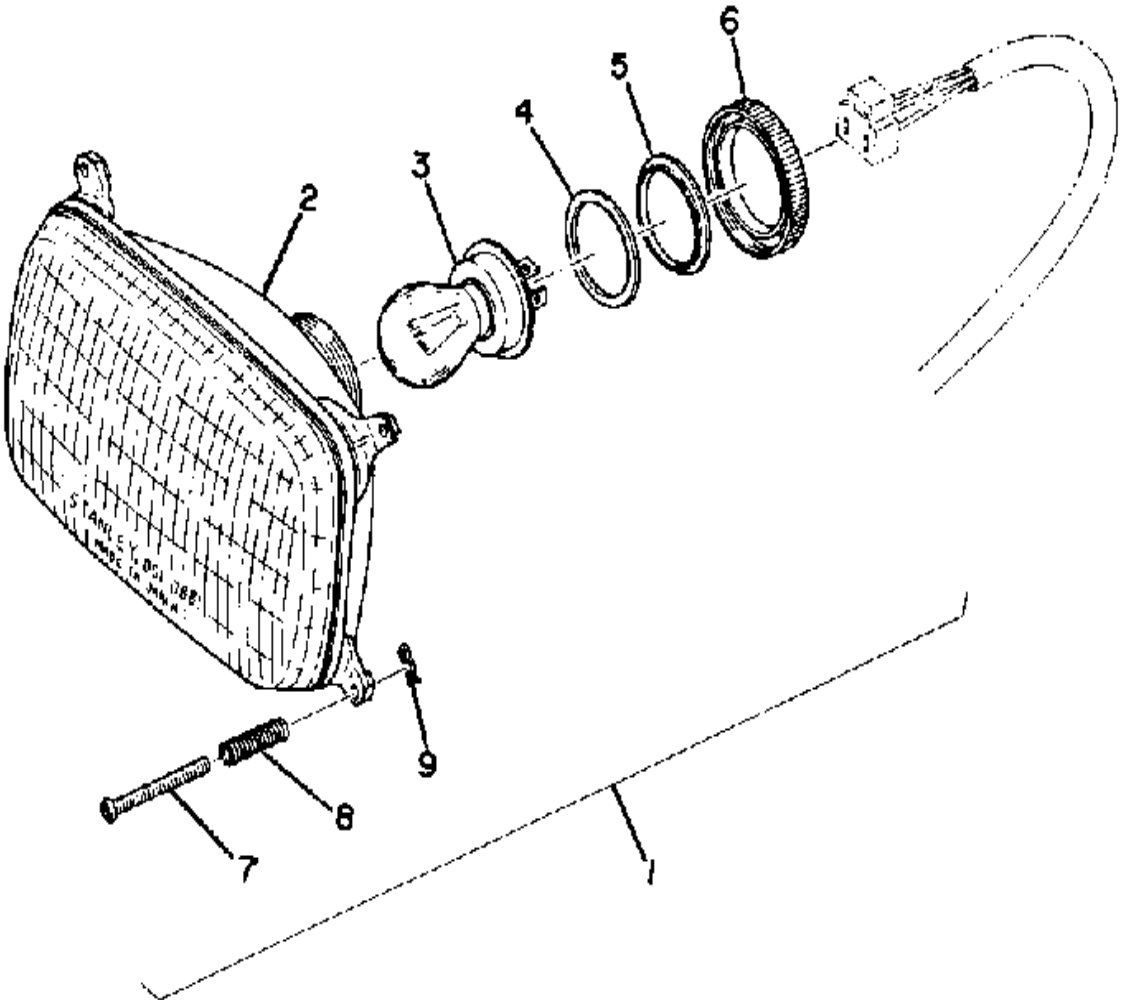
# METER



Ref. No.	Part Number	Description	Qty	Remarks
1	(888-83510-41-00)	SPEEDOMETER ASSEMBLY ..	1	MPH
2	123-83516-21-00	. BULB (12V-3.4W) .....	1	
3	(861-83536-40-00)	SOCKET, METER .....	1	
4	95380-05600-00	. NUT .....	2	
5	92990-05100-00	. WASHER, SPRING .....	2	
6	861-83523-40-00	. DAMPER .....	1	
7	861-83514-40-00	. PLATE, FITTING .....	1	
8	8E7-83550-01-00	SPEEDOMETER CABLE (8E7-83550-00) .....	1	
9	437-83936-11-00	BAND, SWITCH CORD .....	1	

Property of [www.SmallEngineDiscount.com](http://www.SmallEngineDiscount.com) - Not for Resale

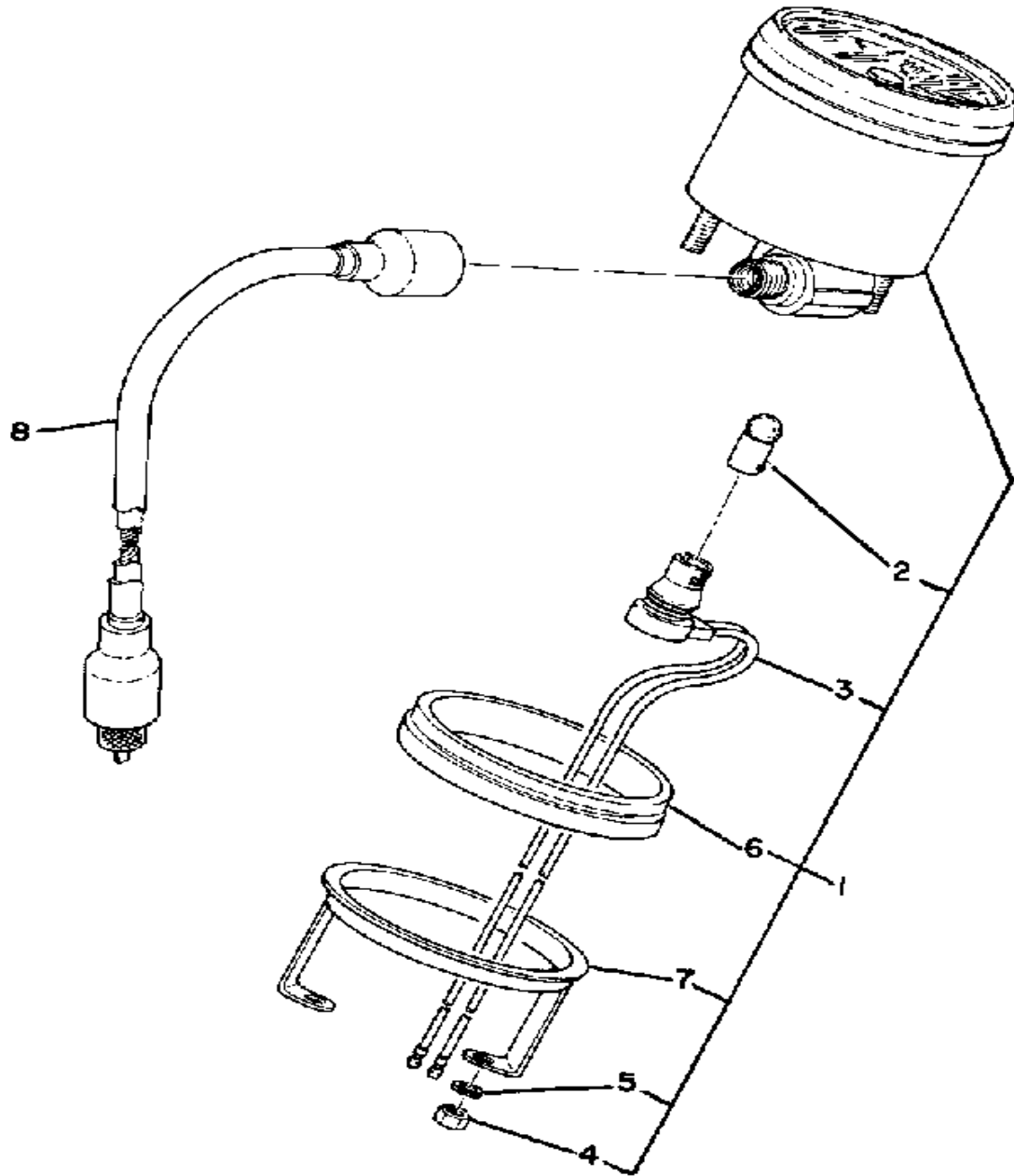
# HEADLIGHT



Ref. No.	Part Number	Description	Qty	Remarks
1	(8A5-84310-80-00)	HEADLIGHT UNIT ASSEMBLY	1	
2	8A5-84320-00-00	. LENS ASSEMBLY	1	
3	838-84314-00-00	. BULB, HEADLIGHT	1	
4	838-84327-00-00	. WASHER, SPECIAL	1	
5	838-84328-00-00	. SPACER	1	
6	838-84317-00-00	. NUT	1	
7	8M6-84331-00-00	. SCREW, RIM ADJUSTING (8A5-84331-00-00)	4	
8	8A5-84332-00-00	. SPRING, SCREW	4	
9	(807-84351-00-00)	CLAMP, CORD	4	

Property of [www.SmallEngineDiscount.com](http://www.SmallEngineDiscount.com) - Not for Resale

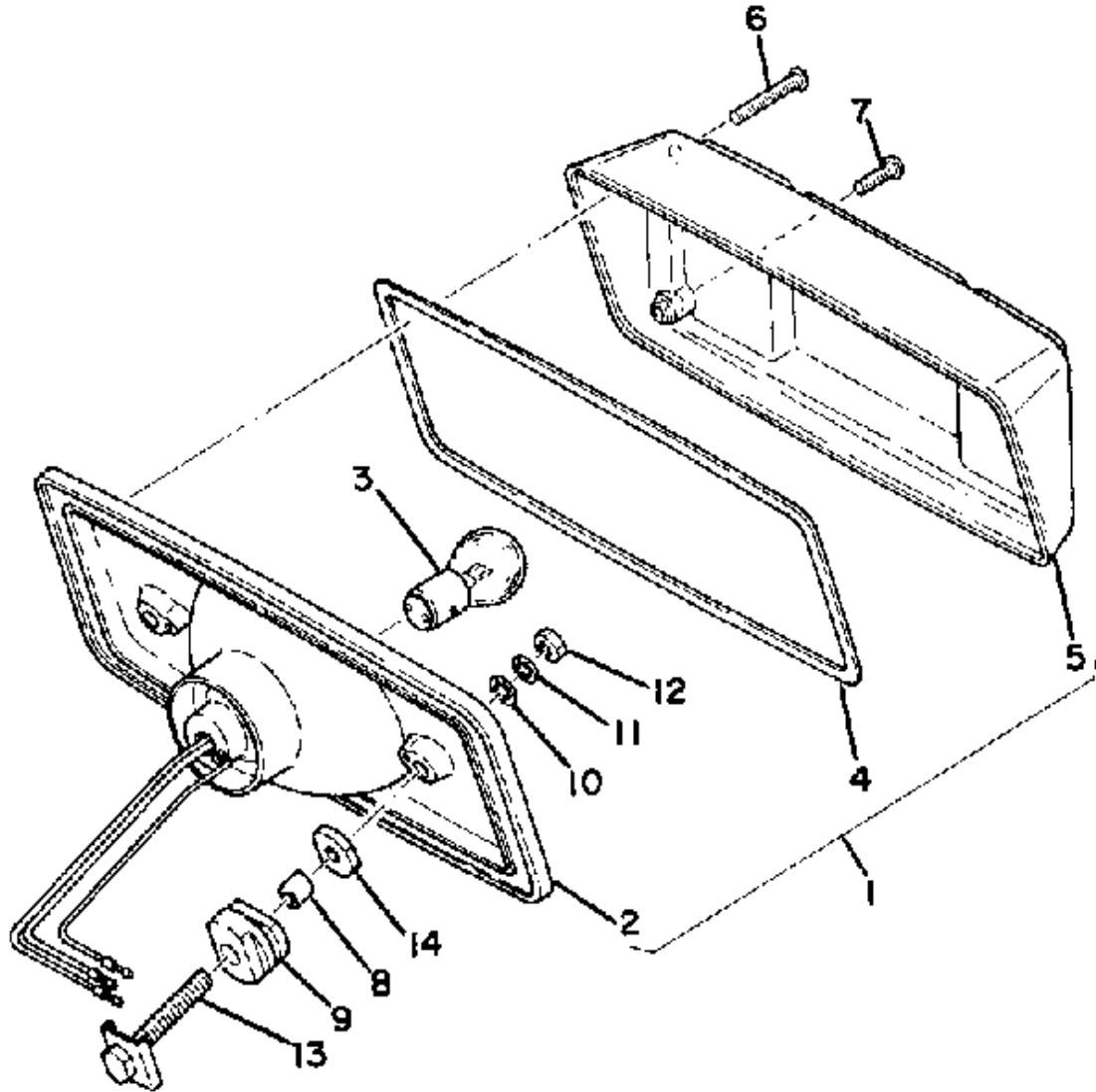
# TACHOMETER



Ref. No.	Part Number	Description	Qty	Remarks
1	(878-83540-01-00)	TACHOMETER ASSEMBLY ...	1	
2	123-83516-21-00	. BULB (12V-3.4W) .....	1	
3	(861-83536-40-00)	SOCKET, METER .....	1	
4	95380-05600-00	. NUT .....	2	
5	92990-05100-00	. WASHER, SPRING .....	2	
6	861-83523-40-00	. DAMPER .....	1	
7	861-83514-40-00	. PLATE, FITTING .....	1	
8	839-83550-01-00	SPEEDOMETER CABLE .....	1	

Property of [www.SmallEngineDiscount.com](http://www.SmallEngineDiscount.com) - Not for Resale

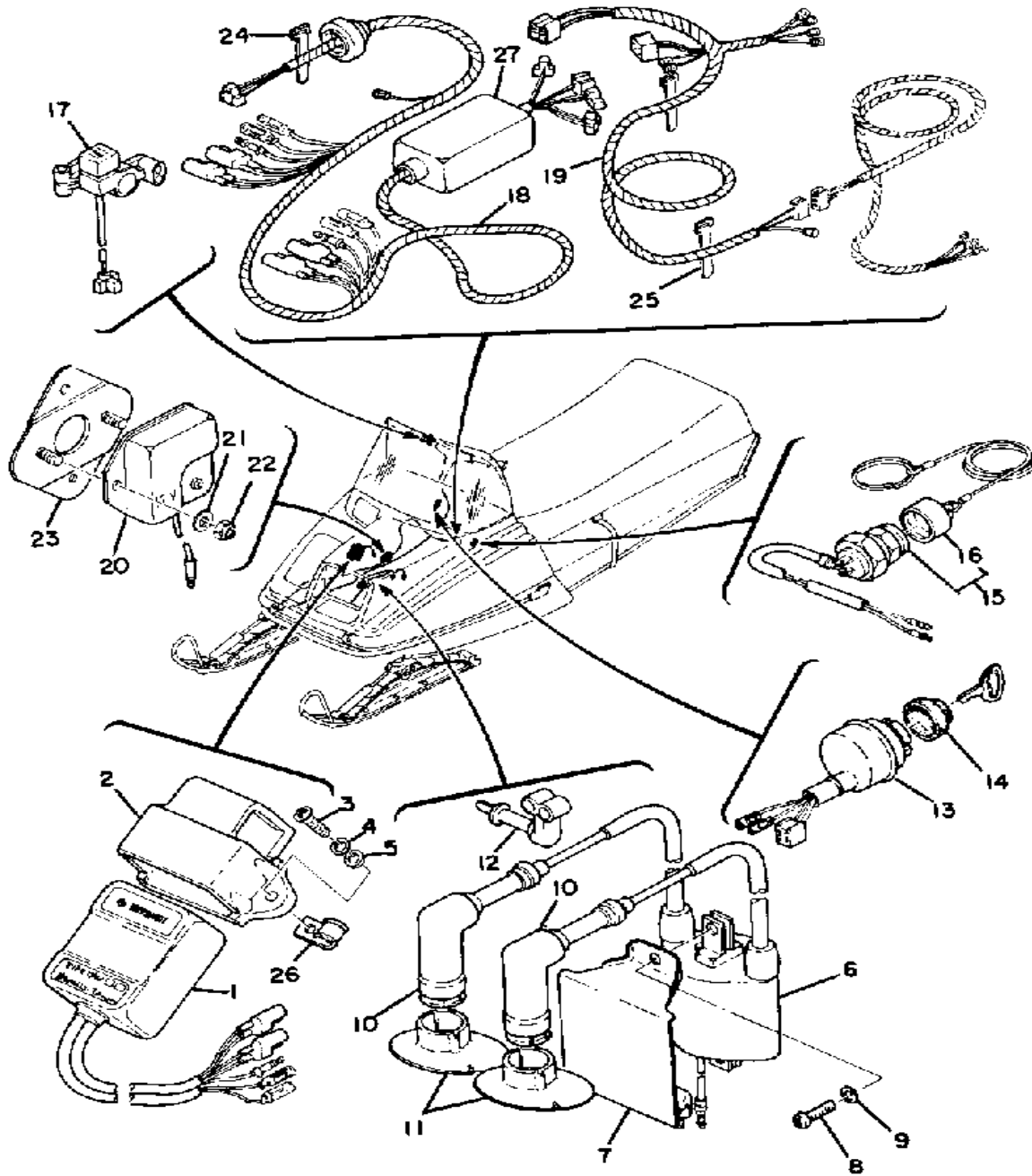
# TAILLIGHT



Ref. No.	Part Number	Description	Qty	Remarks
1	8A1-84710-00-00	TAILLIGHT UNIT ASSEMBLY ..	1	
2	8A1-84710-00-00	. TAILLIGHT UNIT ASSEMBLY .	1	
3	137-84714-61-00	. BULB, TL 12V23/8W (J50-83311-00) .....	1	
4	821-84712-00-00	. SEAT, BASE .....	1	
5	821-84721-00-00	. LENS, TAILLIGHT .....	1	
6	98511-04030-00	. SCREW, PAN HEAD .....	2	
7	98503-04014-00	. SCREW, PAN HEAD .....	2	
8	90387-074W0-00	COLLAR .....	2	
9	90480-10187-00	GROMMET .....	2	
10	92901-06600-00	WASHER .....	2	
11	92995-06100-00	WASHER, SPRING .....	2	
12	95380-06600-00	NUT .....	2	
13	90109-06428-00	BOLT .....	2	
14	90179-06209-00	NUT, SPEC'L SHAPE .....	2	

Property of [www.SmallEngineDiscount.com](http://www.SmallEngineDiscount.com) - Not for Resale

# ELECTRICAL

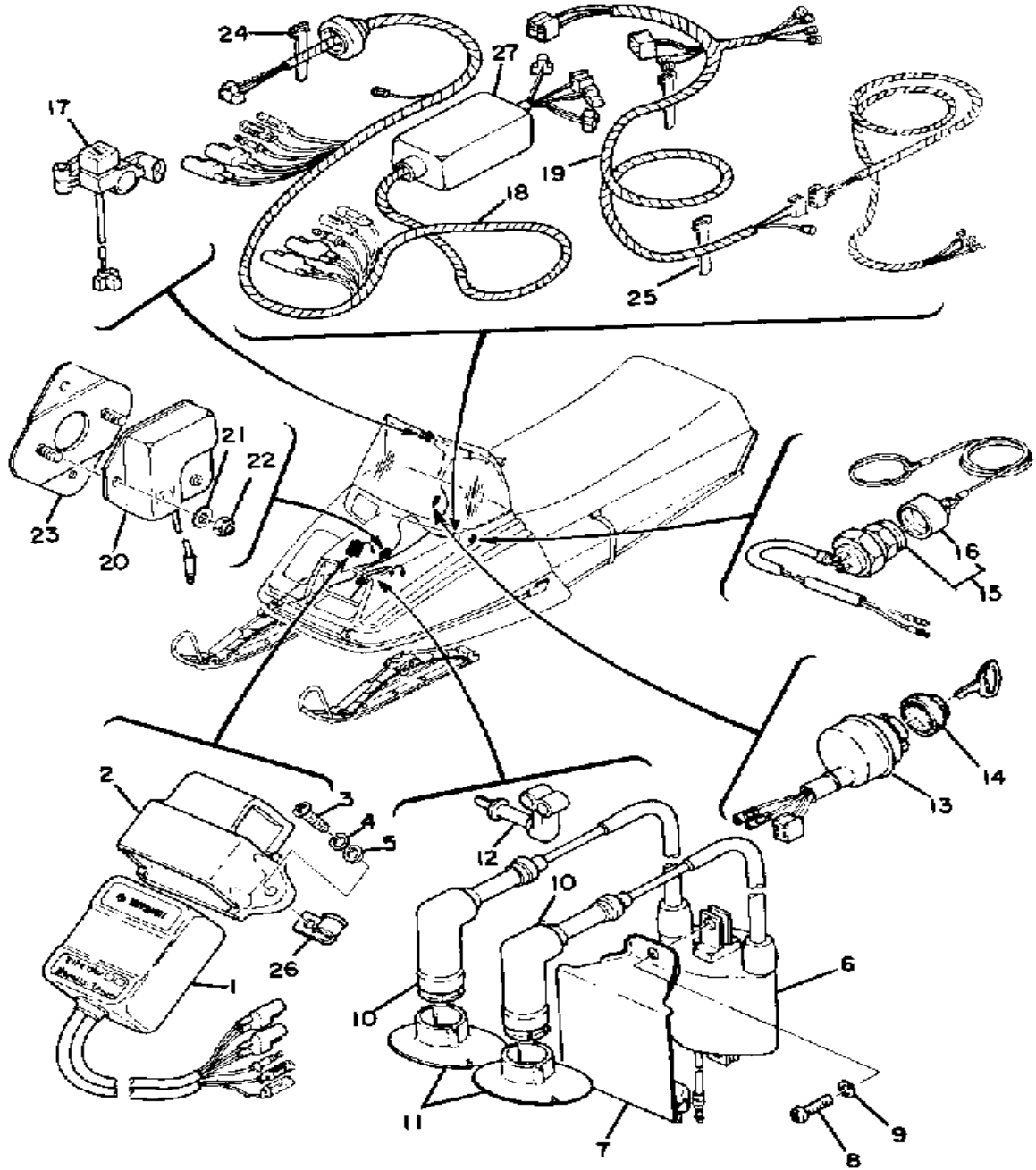


Ref. No.	Part Number	Description	Qty	Remarks
1	8E7-85540-10-00	CDI UNIT ASSEMBLY	1	
2	363-85546-00-00	BAND	1	
3	98503-06014-00	SCREW, PAN HEAD (92502-06016)	2	
4	92995-06100-00	WASHER, SPRING	2	
5	90201-06M08-00	WASHER, PLATE	2	
6	8E7-82310-11-00	IGNITION COIL ASSEMBLY	1	
7	(8E7-82314-00-00)	COVER, IGNITN COIL	1	
8	98503-06018-00	SCREW, pan head (92503-06018-00)	2	
9	92995-06100-00	WASHER, SPRING	2	
10	8E7-82370-11-00	PLUG CAP ASSEMBLY	2	
11	8E7-82372-00-00	SEAL, PLUG CAP	2	
12	(8E7-82361-00-00)	CLAMP, CORD	1	
13	898-82508-20-00	MAIN SWITCH ASSEMBLY	1	
14	806-82516-00-00	COLLAR, MAIN SWITCH	1	
15	8J7-82550-01-00	STOP SWITCH ASSEMBLY	1	
16	8H8-82552-09-00	. CAP, SWITCH	1	
17	8E7-83976-01-00	SWITCH, HANDLE 1 (8E7-83976-00)	1	
18	(8E7-82590-21-00)	WIRE HARNESS ASSEMBLY	1	
19	(8E7-82580-21-00)	WIRE HARNESS ASSEMBLY 2	1	
20	82F-81910-A0-00	VOLTAGE REGULATOR ASSEMBLY	1	
21	92901-06600-00	WASHER	4	
22	95701-06300-00	NUT, NYLON	4	
23	(8E7-81915-00-00)	PLATE, REG FITTING	1	
24	J45-83936-00-00	BAND, SWITCH CORD	1	
25	437-83936-11-00	BAND, SWITCH CORD	2	
26	90465-06013-00	CLAMP	1	

CONTINUED ON NEXT FRAME ►

Property of [www.SmallEngineDiscount.com](http://www.SmallEngineDiscount.com) - Not for Resale

# ELECTRICAL



Ref. No.	Part Number	Description	Qty	Remarks
27	(878-82599-00-00)	COVER, CONNECTER .....	1	

Property of [www.SmallEngineDiscount.com](http://www.SmallEngineDiscount.com) - Not for Resale



# EX440A

## 1977 SERVICE DATA

SNOWMOBILE  
S6-010

# EX340A

## 1977 SERVICE DATA

SNOWMOBILE  
S6-009

MODEL – IBM I.D. NUMBER	EX440A	8E8
Starting Engine and Frame Number	SS433-004101	8E8-004101
<b>ENGINE</b> (type) (induction system)	2-stroke, 7-port, Twin, Forced Air-cooled, Reed Valve	
Bore x Stroke x Cylinders	68 x 59.6mm x 2	433cc
Displacement		
Compression Ratio/Compression Pressure	7.0:1	N/A
Piston Skirt Clearance (new/max)	.045 ~ .050mm (.0018 ~ .0020") / 0.1mm (.004")	
Ring End Gap (top/2nd)	0.35 ~ 0.55mm (.014 ~ .022") / $\phi$	
Ring Groove Clearance (top/2nd)	.03 ~ .07mm (.0012 ~ .0028") / $\phi$	
<b>CARBURETOR</b> (mfr) (type) (I.D. number)	Keihin PW42-38	8E800
Quantity/Venturi size (measured) (effective)	1 / 42mm / 38mm	
Fuel Inlet Valve (size)/Float Level	1.6mm / 21 ± 1mm	
Jet Needle/Needle Jet/Cut Away	431102-3 / No. 6 / No. 2.5	
Main Jet/Slow Jet/Air Screw (turns out)	No. 150 / No. 50 / 1 1/4	
Idle Speed	1,500 rpm	
<b>AUTOLUBE</b> – Pump Color/Control Rod Adj.	N/A	33mm Cable travel at idle
Pump Plunger Stroke (min) (max)	0.20 ~ 0.25mm (.008 ~ .010") / 2.05 ~ 2.27mm (.081 ~ .09")	
Output @ 200 strokes (full throttle/idle)	{All outlets added} 18.8 ~ 20.2cc / 2.4 ~ 3.1cc	
<b>DRIVE</b> (type)	V-belt, Automatic	
Primary Sheave Engagement RPM	3,000 ~ 3,400 rpm	
Belt Length/Width/Wear Limit/IBM number	1,099mm (43.27") / 31.5mm (1.24") / 26mm (1.02") 8A1	
Primary Ratio(s)	3.5:1 ~ 1:1	
Sheave Center to Center/Offset	270 $\pm$ 3 mm (10.63 $\pm$ 0.080") / 5.5 $\pm$ 0.5 mm (0.22 $\pm$ 0.020")	
Primary Spring Color/Length/Rate	Pink-White / 78.6mm / 1.75kg/mm	
Secondary Spring Pre-load/Part Number/ Color	120° / 90508-45286 / Yellow	
Secondary Drive Ratio/Chain Pitch-type/Freeplay	33/19 (1.74) / No. 35-Triplex / 10mm	
Track (width)/Tension	15" / 25mm (1") deflection w/22 lbs. pull	
<b>SLIDE SUSPENSION</b> – Stopper Band/Rear Spring	N/A	Center Position Standard
<b>CAPACITIES</b> – Chain Case (quantity) (type)	320cc (11 oz.)	SAE 10W/30 Oil
Fuel Tank (quantity) (grade)	6.0 gals.	Regular Gasoline
Autolube Tank (quantity) (type)	3.0 qts.	Yamalube 2-stroke
Torque Converter (quantity) (type)	$\phi$	
<b>ELECTRICAL</b> – Charging System (mfr) (type)	Hitachi	Flywheel Magneto (CDI)
Lighting Output at Full Load	12V-100W	
Headlight/Tailight/Instrument Ratings	12V60W/60W 12V8W/23W / 12V3.4W	
Lighting Coil Resistance	(Yellow)	0.21 $\Omega$ ± 10%
Stoplight Coil Resistance	(Green)	1.20 $\Omega$ ± 10%
Ignition Source Coil Resistance (charge coil)	(Brown) 113 $\Omega$ ± 10%	(Blue) 29 $\Omega$ ± 10%
Pulser Coil Resistance	(White/Red and White/Black)	
Coil Resistance (primary) (secondary)	0.15 $\Omega$ / 3.6K $\Omega$	
Breaker Point Gap	$\phi$	
Spark Plug Type/Heat Range/Gap	NGK B-9EV	0.6mm (0.24")
Timing (B.T.D.C.)*	1.6 ± 0.1mm	B.T.D.C.

MODEL – IBM I.D. NUMBER	EX340A	8E7
Starting Engine and Frame Number	SS38-002101	8E7-002101
<b>ENGINE</b> (type) (induction system)	2-stroke, 5-port, Twin, Forced Air-cooled	
Bore x Stroke x Cylinders	60 x 59.6mm x 2	338cc
Displacement		
Compression Ratio/Compression Pressure	6.4:1	N/A
Piston Skirt Clearance (new/max)	.045 ~ .050mm (.0018 ~ .0020") / 0.1mm (.004")	
Ring End Gap (top/2nd)	0.35 ~ 0.55mm (.014 ~ .022") / $\phi$	
Ring Groove Clearance (top/2nd)	.03 ~ .07mm (.0012 ~ .0028") / $\phi$	
<b>CARBURETOR</b> (mfr) (type) (I.D. number)	Keihin PW42-38	8E700
Quantity/Venturi size (measured) (effective)	1 / 42mm / 38mm	
Fuel Inlet Valve (size)/Float Level	1.6mm / 21 ± 1mm	
Jet Needle/Needle Jet/Cut Away	431302-3 / No. 6 / No. 2.5	
Main Jet/Slow Jet/Air Screw (turns out)	No. 150 / No. 50 / 1.0	
Idle Speed	2,000 rpm	
<b>AUTOLUBE</b> – Pump Color/Control Rod Adj.	N/A	33mm Cable travel at idle
Pump Plunger Stroke (min) (max)	0.20 ~ 0.25mm (.008 ~ .010") / 2.05 ~ 2.27mm (.081 ~ .09")	
Output @ 200 strokes (full throttle/idle)	10.0 ~ 10.7cc / 1.3 ~ 1.6cc {All outlets added}	
<b>DRIVE</b> (type)	V-belt Automatic	
Primary Sheave Engagement RPM	2,900 ~ 3,300 rpm	
Belt Length/Width/Wear Limit/IBM number	1,099mm (43.27") / 31.5mm (1.24") / 26mm (1.02") 8A1	
Primary Ratio(s)	3.5:1 ~ 1:1	
Sheave Center to Center/Offset	270 $\pm$ 3 mm (10.63 $\pm$ 0.080") / 5.5 $\pm$ 0.5 mm (0.22 $\pm$ 0.020")	
Primary Spring Color/Length/Rate	Brown-White / 69mm / 2.0kg/mm	
Secondary Spring Pre-load/Part Number/ Color	120° / 90508-45287-00 / Blue	
Secondary Drive Ratio/Chain Pitch-type/Freeplay	33/19 (1.74) No. 35 - Triplex / 10mm	
Track (width)/Tension	15" / 25mm (1") deflection w/22 lbs. pull	
<b>SLIDE SUSPENSION</b> – Stopper Band/Rear Spring	N/A	Center Position Standard
<b>CAPACITIES</b> – Chain Case (quantity) (type)	320cc (10.9 oz.)	SAE 10W/30 Oil
Fuel Tank (quantity) (grade)	6.0 gals.	Regular Gasoline
Autolube Tank (quantity) (type)	3.0 qts.	Yamalube 2-stroke
Torque Converter (quantity) (type)	$\phi$	
<b>ELECTRICAL</b> – Charging System (mfr) (type)	Hitachi	Flywheel Magneto (CDI)
Lighting Output at Full Load	12V	
Headlight/Tailight/Instrument Ratings	12V60W/60W / 12V8W/23W / 12V3.4W	
Lighting Coil Resistance	(Yellow)	0.21 $\Omega$ ± 10%
Stoplight Coil Resistance	(Green)	1.20 $\Omega$ ± 10%
Ignition Source Coil Resistance (charge coil)	Brown (113 $\Omega$ ± 10%)	Blue (29 $\Omega$ ± 10%)
Pulser Coil Resistance	White/Red and White/Black 85 $\Omega$ ± 10%	
Coil Resistance (primary) (secondary)	0.15 $\Omega$ / 3.6K $\Omega$	
Breaker Point Gap	$\phi$	
Spark Plug Type/Heat Range/Gap	NGK B-9EV	0.6mm (.024")
Timing (B.T.D.C.)*	1.6 ± 0.1mm	B.T.D.C.

N/A = Information Not Available  
 $\phi$  = Does Not Apply To This Model

\*After setting statically, check with timing light.

N/A = Information Not Available  
 $\phi$  = Does Not Apply To This Model

\*After setting statically, check with timing light.

Property of www.SmallEngineDiscount.com - Not for Resale

F-21

SNOWMOBILE  
S6-009

## EX340A

### 1977 SERVICE DATA

<b>MODEL – IBM I.D. NUMBER</b>	EX340A	8E7
Starting Engine and Frame Number	SS38-002101	8E7-002101
<b>ENGINE (type) (induction system)</b>	2-stroke, 5-port, Twin, Forced Air-cooled	
Bore x Stroke x Cylinders	60 x 59.6mm x 2	338cc
Compression Ratio/Compression Pressure	6.4:1	N/A
Piston Skirt Clearance (new/max)	.045 ~ .050mm(.0018 ~ .0020")/0.1mm(.004")	
Ring End Gap (top/2nd)	0.35 ~ 0.55mm(.014 ~ .022")/φ	
Ring Groove Clearance (top/2nd)	.03 ~ .07mm(.0012 ~ .0028")/φ	
<b>CARBURETOR (mfr) (type) (I.D. number)</b>	Keihin	PW42-38 8E700
Quantity/Venturi size (measured) (effective)	1 / 42mm / 38mm	
Fuel Inlet Valve (size)/Float Level	1.6mm / 21 ± 1mm	
Jet Needle/Needle Jet/Cut Away	431302-3 / No. 6 / No. 2.5	
Main Jet/Slow Jet/Air Screw (turns out)	No. 150 / No. 50 / 1.0	
Idle Speed	2,000 rpm	
<b>AUTOLUBE – Pump Color/Control Rod Adj.</b>	N/A	33mm Cable travel at idle
Pump Plunger Stroke (min) (max)	0.20~0.25mm(.008~.010")/2.05~2.27mm(.08~.09")	
Output @ 200 strokes (full throttle/idle)	10.0~10.7cc/1.3~1.6cc (All outlets added)	
<b>DRIVE (type)</b>	V-belt	Automatic
Primary Sheave Engagement RPM	2,900 ~ 3,300 rpm	
Belt Length/Width/Wear Limit/IBM number	1,099mm(43.27")/31.5mm(1.24")/26mm(1.02")8A1	
Primary Ratio(s)	3.5:1 ~ 1:1	
Sheave Center to Center/Offset	270 ± 8 mm (10.63 ± 0.080") / 5.5 ± 0.5 mm (0.22 ± 0.020")	
Primary Spring Color/Length/Rate	Brown-White / 69mm / 2.0kg/mm	
Secondary Spring Pre-load/Part Number/Color	120° / 90508-45287-00 / Blue	
Secondary Drive Ratio/Chain Pitch-type/Freeplay	33/19 (1.74) No. 35 - Triplex / 10mm	
Track (width)/Tension	15" / 25mm (1") deflection w/22 lbs. pull	
<b>SLIDE SUSPENSION – Stopper Band/Rear Spring</b>	N/A	Center Position Standard
<b>CAPACITIES – Chain Case (quantity) (type)</b>	320cc (10.9 oz.)	SAE 10W/30 Oil
Fuel Tank (quantity) (grade)	6.0 gals.	Regular Gasoline
Autolube Tank (quantity) (type)	3.0 qts.	Yamalube 2-stroke
Torque Converter (quantity) (type)	φ	
<b>ELECTRICAL – Charging System (mfr) (type)</b>	Hitachi	Flywheel Magneto (CDI)
Lighting Output at Full Load	12V	100W
Headlight/Tailight/Instrument Ratings	12V60W/60W / 12V8W/23W / 12V3.4W	
Lighting Coil Resistance	(Yellow)	0.21 Ω ± 10%
Stoplight Coil Resistance	(Green)	1.20 Ω ± 10%
Ignition Source Coil Resistance (charge coil)	Brown (113 Ω ± 10%)	Blue (29 Ω ± 10%)
Pulser Coil Resistance	White/Red and White/Black 85 Ω ± 10%	
Coil Resistance (primary) (secondary)	0.15 Ω / 3.6K Ω	
Breaker Point Gap	φ	
Spark Plug Type/Heat Range/Gap	NGK B-9EV	0.6mm(.024")
Timing (B.T.D.C.)*	1.6 ± 0.1mm	B.T.D.C.

N/A = Information Not Available

\*After setting statically, check with timing light.

φ = Does Not Apply To This Model

Property of [www.SmallEngineDiscount.com](http://www.SmallEngineDiscount.com) - Not for Resale