



YAMAHA

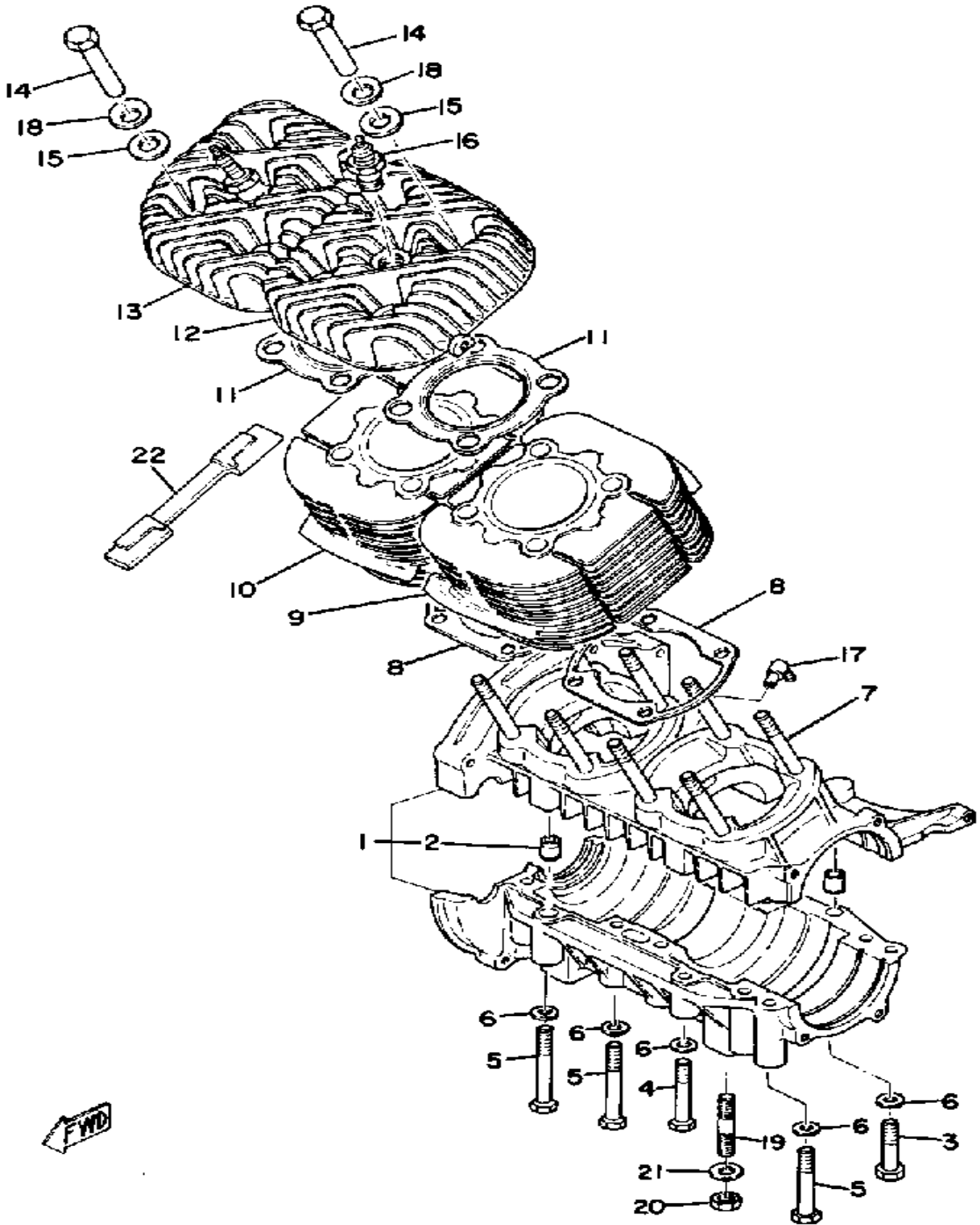
GENUINE

PARTS CATALOGUE

SNOWMOBILE

Property of www.SmallEngineDiscount.com - Not for Resale

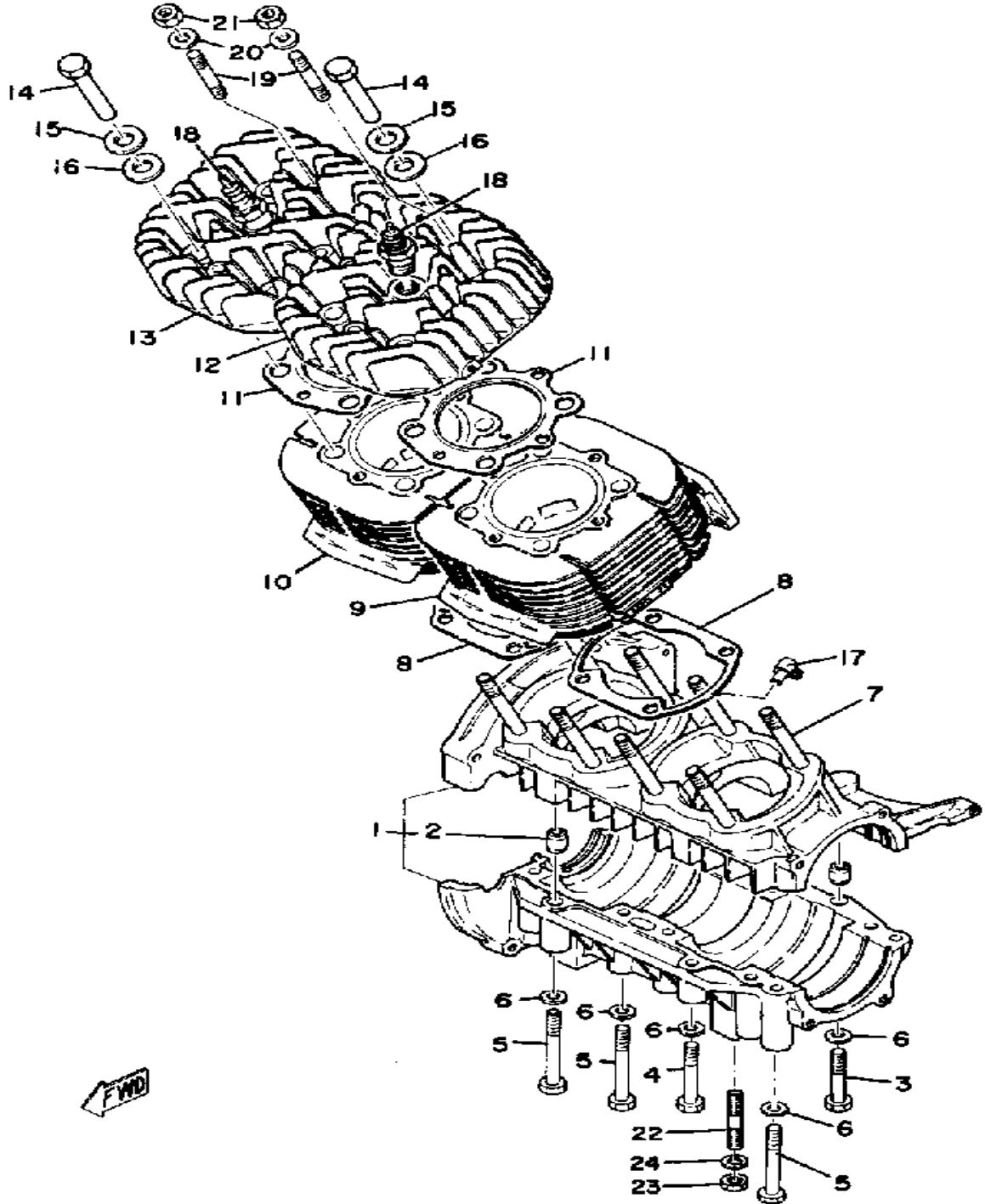
CRANKCASE - CYLINDER (EX340B)



Ref. No.	Part Number	Description	Qty	Remarks
1	(8A6-15100-00-00)	CRANKCASE ASSEMBLY	1	
2	99510-12016-00	. PIN, DOWEL	2	
3	97313-08050-00	BOLT, HEXAGON (90101-08125)	2	
4	97321-08055-00	BOLT, HEXAGON	1	
5	97021-08070-00	BOLT	11	
6	92901-08600-00	WASHER	14	
7	90116-08064-00	BOLT, STUD	8	
8	846-11351-01-00	GASKET, CYLINDER	2	
9	8A6-11311-00-00	CYLINDER 1	1	
10	8A6-11321-00-00	CYLINDER 2	1	
11	8A6-11181-00-00	GASKET, CYLINDER HEAD 1	2	
12	(8A6-11111-00-00)	HEAD, CYLINDER 1	1	
13	(8A6-11121-00-00)	HEAD, CYLINDER 2	1	
14	90179-08090-00	NUT, SPEC'L SHAPE	8	
15	92990-12200-00	WASHER, PLAIN	8	
16	NGK-B9EV0-00-00	PLUG, SPARK (NGK B9EV)	2	
17	8E4-24461-00-00	PIPE, JOINT	1	
18	90208-12015-00	WASHER, CONICAL SPRING	8	
19	90116-10132-00	BOLT, STUD	4	
20	90185-10030-00	NUT, SELF-LOCKING	4	
21	90201-10322-00	WASHER, PLATE	4	
22	(8A6-11355-00-00)	SEAL, CYLINDER 1	1	

Property of www.SmallEngineDiscount.com - Not for Resale

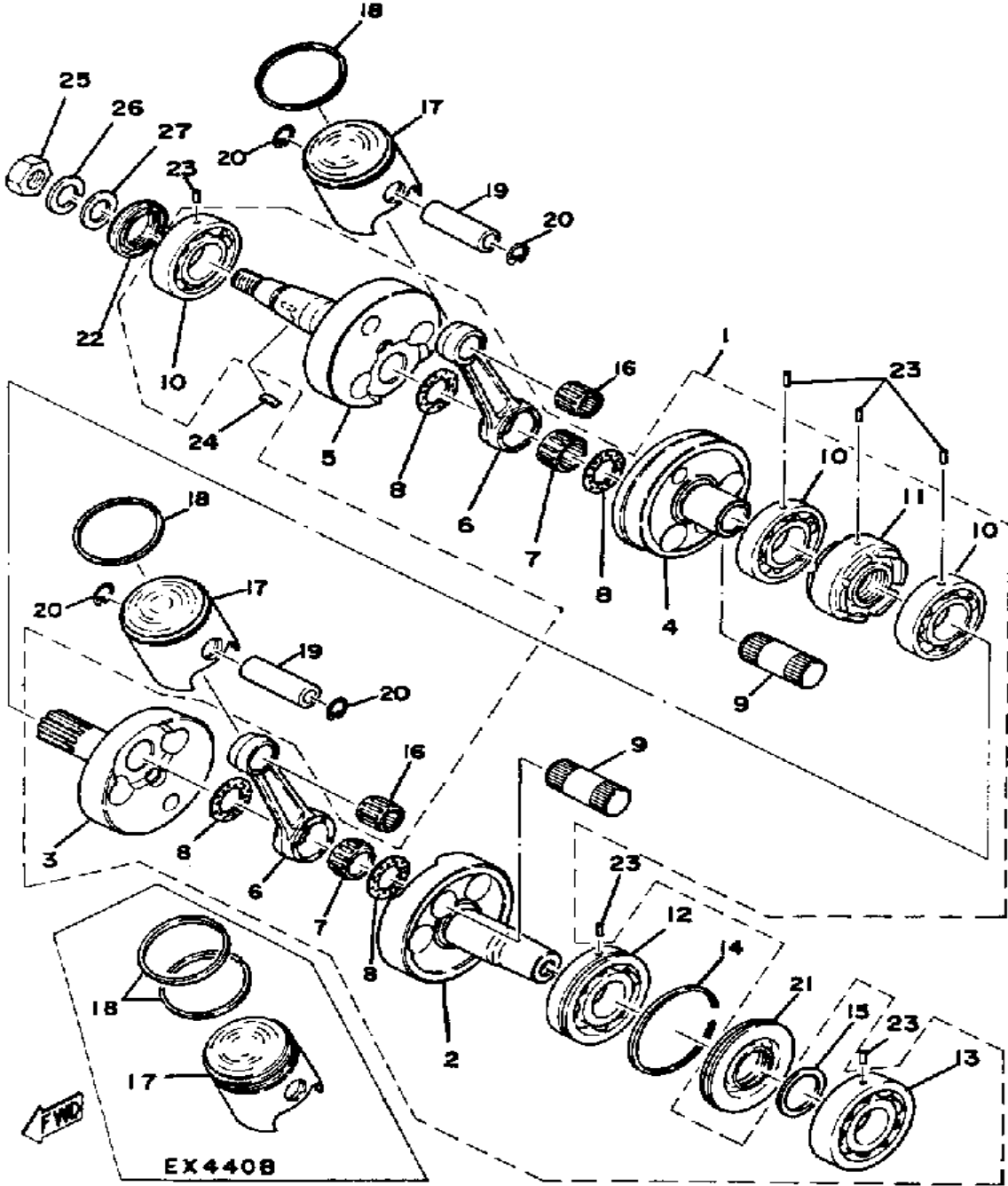
CRANKCASE - CYLINDER (EX440B)



Ref. No.	Part Number	Description	Qty	Remarks
1	(8A5-15100-00-00)	CRANKCASE ASSEMBLY	1	
2	99510-12016-00	. PIN, DOWEL	2	
3	97313-08050-00	BOLT, HEXAGON (90101-08125)	2	
4	97321-08055-00	BOLT, HEXAGON	1	
5	97021-08070-00	BOLT	11	
6	92901-08600-00	WASHER	14	
7	90116-08064-00	BOLT, STUD	8	
8	857-11351-00-00	GASKET, CYLINDER	2	
9	8A5-11311-01-00	CYLINDER 1	1	
10	8A5-11321-01-00	CYLINDER 2	1	
11	828-11181-70-00	GASKET, CYLINDER HEAD 1	2	
12	8A5-11111-00-00	HEAD, CYLINDER 1	1	
13	8A5-11121-10-00	HEAD, CYLINDER 2	1	
14	90179-08090-00	NUT, SPEC'L SHAPE	8	
15	90208-12015-00	WASHER, CONICAL SPRING	8	
16	92990-12200-00	WASHER, PLAIN	8	
17	8E4-24461-00-00	PIPE, JOINT	1	
18	NGK-B9EV0-00-00	PLUG, SPARK (NGK B9EV)	2	
19	(95611-08650-00)	BOLT, STUD	8	
20	90201-08100-00	WASHER, PLATE	8	
21	95333-08600-00	NUT	8	
22	90116-10132-00	BOLT, STUD	4	
23	90185-10030-00	NUT, SELF-LOCKING	4	
24	90201-10322-00	WASHER, PLATE	4	

Property of www.SmallEngineDiscount.com - Not for Resale

CRANK - PISTON

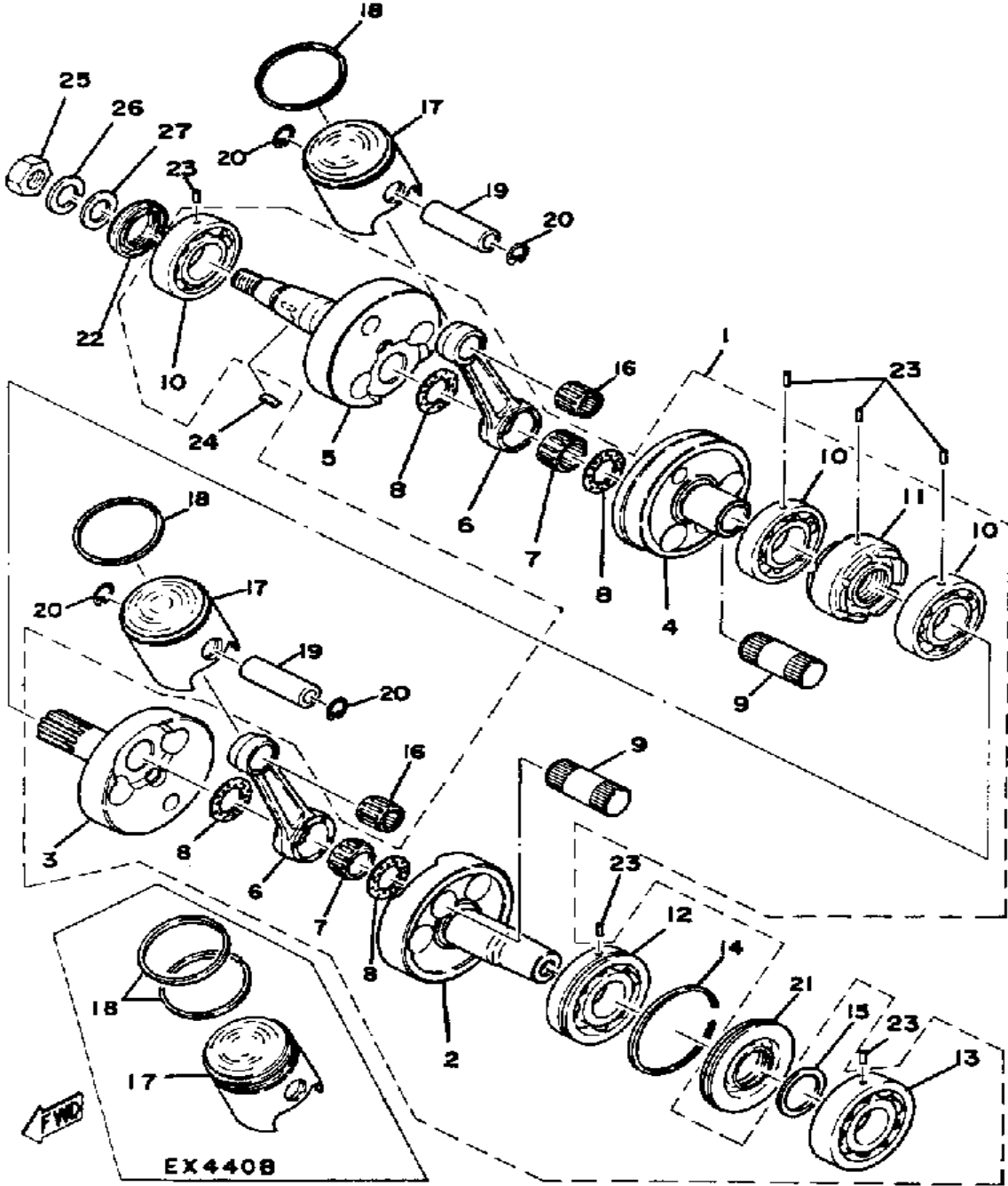


Ref. No.	Part Number	Description	Qty	Remarks
1	8A5-11400-00-00	CRANKSHAFT ASSEMBLY ...	1	
2	8A5-11412-00-00	. CRANK 1	1	
3	(821-11422-01-00)	CRANK 2	1	
4	(821-11432-01-00)	CRANK 3	1	
5	(821-11442-00-00)	CRANK 4	1	
6	8A7-11651-00-00	. ROD, CONNECTING (838-11651-00)	2	
7	93310-42497-00	. BEARING, CYLINDER.# 0 ...	2	
8	90209-24073-00	. WASHER	4	
9	857-11681-00-00	. PIN, CRANK 1	2	
10	93306-20633-00	. BEARING	3	
11	8A5-11515-00-00	. SEAL, LABYRINTH 1	1	
12	93306-30612-00	. BEARING (B6306)	1	
13	93306-30625-00	. BEARING	1	
14	93440-78011-00	. CIRCLIP, OUTER	1	
15	90201-34683-00	. WASHER, PLATE (90201-33299-00)	1	
16	93310-218A6-00	BEARING	2	
17	(8A6-11636-01-00)	PISTON 2 O/S 0.0	2	AP
	(8A6-11638-01-00)	PISTON 4 O/S 1.0	2	AP
	8A6-11631-01-96	PISTON STD	2	
	8A6-11635-01-00	PISTON 1 O/S 0.5	2	AP
	8A6-11637-01-00	PISTON 3 O/S 0.5	2	AP
	8G6-11631-00-96	PISTON STD	2	
	8G6-11635-00-00	PISTON 1 O/S 0.25 (1ST O/S 0.25MM)	2	AP
	8G6-11636-00-00	PISTON 2 O/S 0.50 (2ND O/S 0.50MM)	2	AP
	8G6-11637-00-00	PISTON 3 O/S 0.75 (3RD O/S 0.75MM)	2	AP

CONTINUED ON NEXT FRAME ➤

Property of www.SmallEngineDiscount.com - Not for Resale

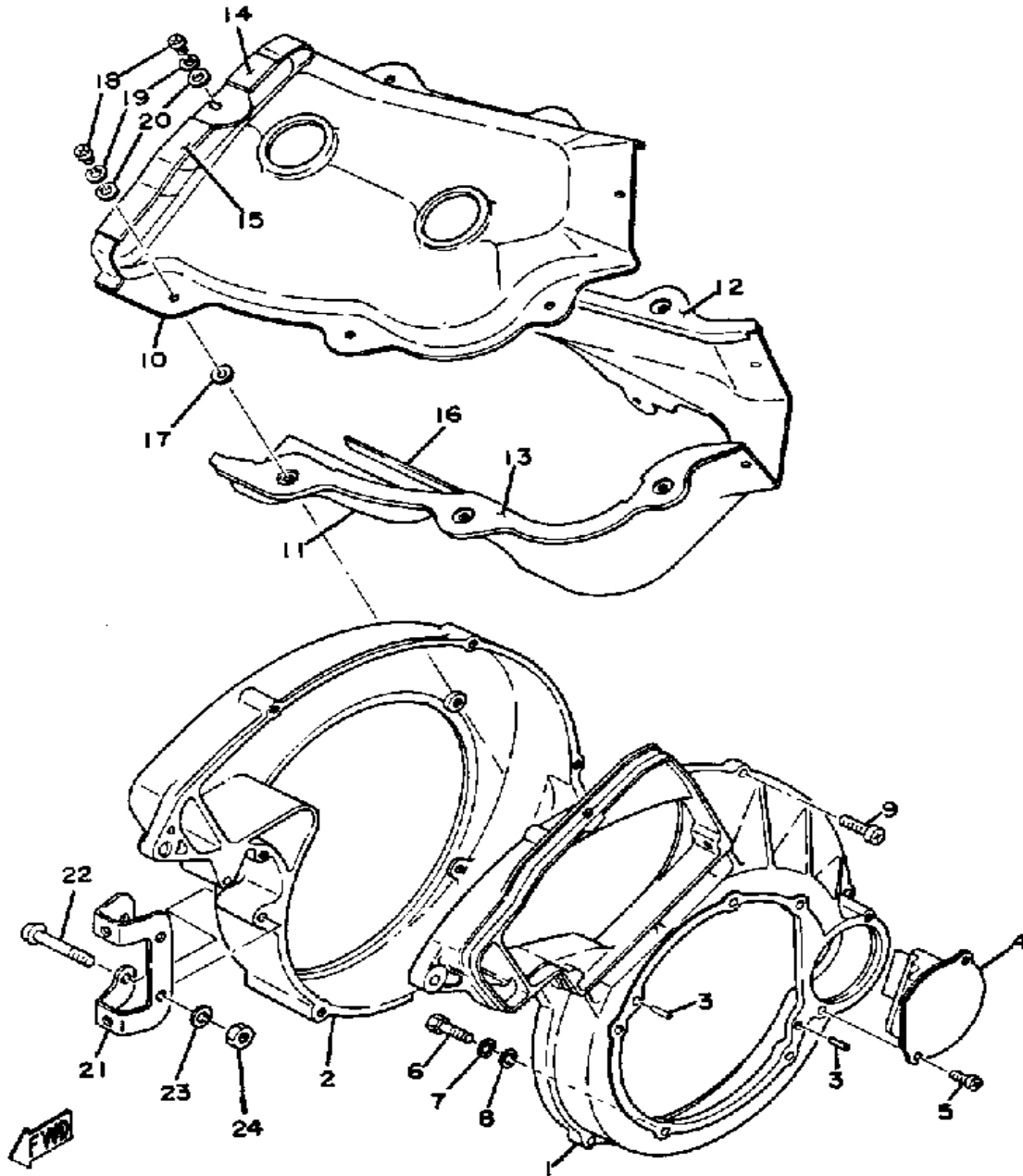
CRANK - PISTON



Ref. No.	Part Number	Description	Qty	Remarks
17	8G6-11638-00-00	PISTON 4 O/S 1.00 (4TH O/S 1.00MM)	2	AP
18	(846-11611-30-00)	RING, PISTON 3RD	2	AP
	846-11611-00-00	RING, PISTON	2	
	846-11611-10-00	RING, PISTON 1ST	2	AP
	846-11611-20-00	RING, PISTON 2ND	2	AP
	846-11611-40-00	RING, PISTON 4TH	2	AP
	8G6-11601-00-00	PISTON RINGSET STD (STD)	2	
	8G6-11601-10-00	PISTON RINGSET 1ST (1ST O/S)	2	AP
	8G6-11601-20-00	PISTON RINGSET 2ND (2ND O/S)	2	AP
	8G6-11601-30-00	PISTON RINGSET 3RD (3RD O/S)	2	AP
	8G6-11601-40-00	PISTON RINGSET 2ND (4TH O/S)	2	AP
19	168-11633-00-00	PIN, PISTON	2	
	818-11633-00-00	PIN, PISTON	2	
20	93450-20026-00	CIRCLIP	4	
21	93103-32095-00	OIL SEAL	1	
22	93103-32156-00	OIL SEAL	1	
23	93604-12037-00	PIN, DOWEL	4	
24	90280-05014-00	KEY, WOODRUFF	1	
25	90170-16182-00	NUT	1	
26	92901-16100-00	WASHER, SPRING	1	
27	90201-16247-00	WASHER, PLATE (807-11557-00)	1	

Property of www.SmallEngineDiscount.com - Not for Resale

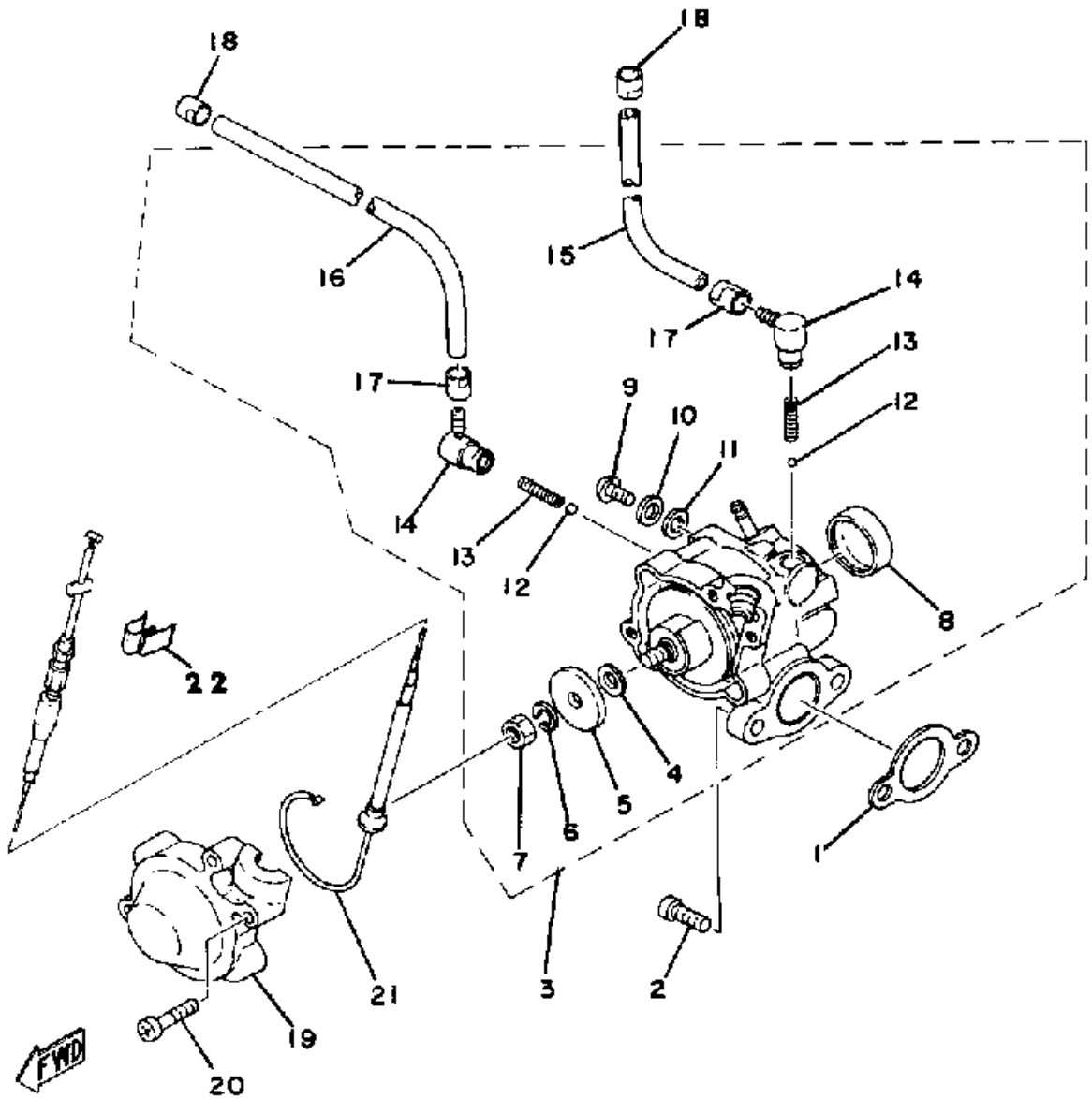
AIR SHROUD - FAN CASE



Ref. No.	Part Number	Description	Qty	Remarks
1	(838-12621-00-00)	CASE, FAN	1	
2	838-12622-00-00	CASE, FAN 2	1	
3	93604-12037-00	PIN, DOWEL	2	
4	(821-12633-00-00)	PLATE	1	
5	98580-05010-00	SCREW, PAN HEAD	2	
6	97011-06025-00	BOLT (97001-06025)	5	
7	92995-06100-00	WASHER, SPRING	5	
8	92901-06600-00	WASHER	5	
9	98506-06025-00	SCREW, PAN HEAD	6	
10	8A1-12651-00-00	AIR SHROUD, CYLINDER 1 ...	1	
11	(866-12652-01-00) (8A6-12652-00-00)	AIR SHROUD, CYLINDER 2 ...	1	
12	(8A1-12658-00-00)	DAMPER, AIR SHRD 1	1	
13	(8A1-12659-00-00)	DAMPER, AIR SHRD 2	1	
14	(8A1-12668-00-00)	DAMPER, AIR SHRD 3	1	
15	(8A1-12669-00-00)	DAMPER, AIR SHRD 4	1	
16	(8A1-12678-00-00)	DAMPER, SHROUD 5	1	
17	(90201-08568-00)	WASHER, PLATE	5	
18	98516-06012-00	SCREW, PAN HEAD	10	
19	92906-06100-00	WASHER, SPRING	10	
20	92906-06600-00	WASHER	10	
21	(8E7-12641-00-00)	STAY	1	
22	98580-06545-00	SCREW PAN HEAD (92503-06045)	2	
23	92995-06100-00	WASHER, SPRING	2	
24	95380-06600-00	NUT	2	

Property of www.SmallEngineDiscount.com - Not for Resale

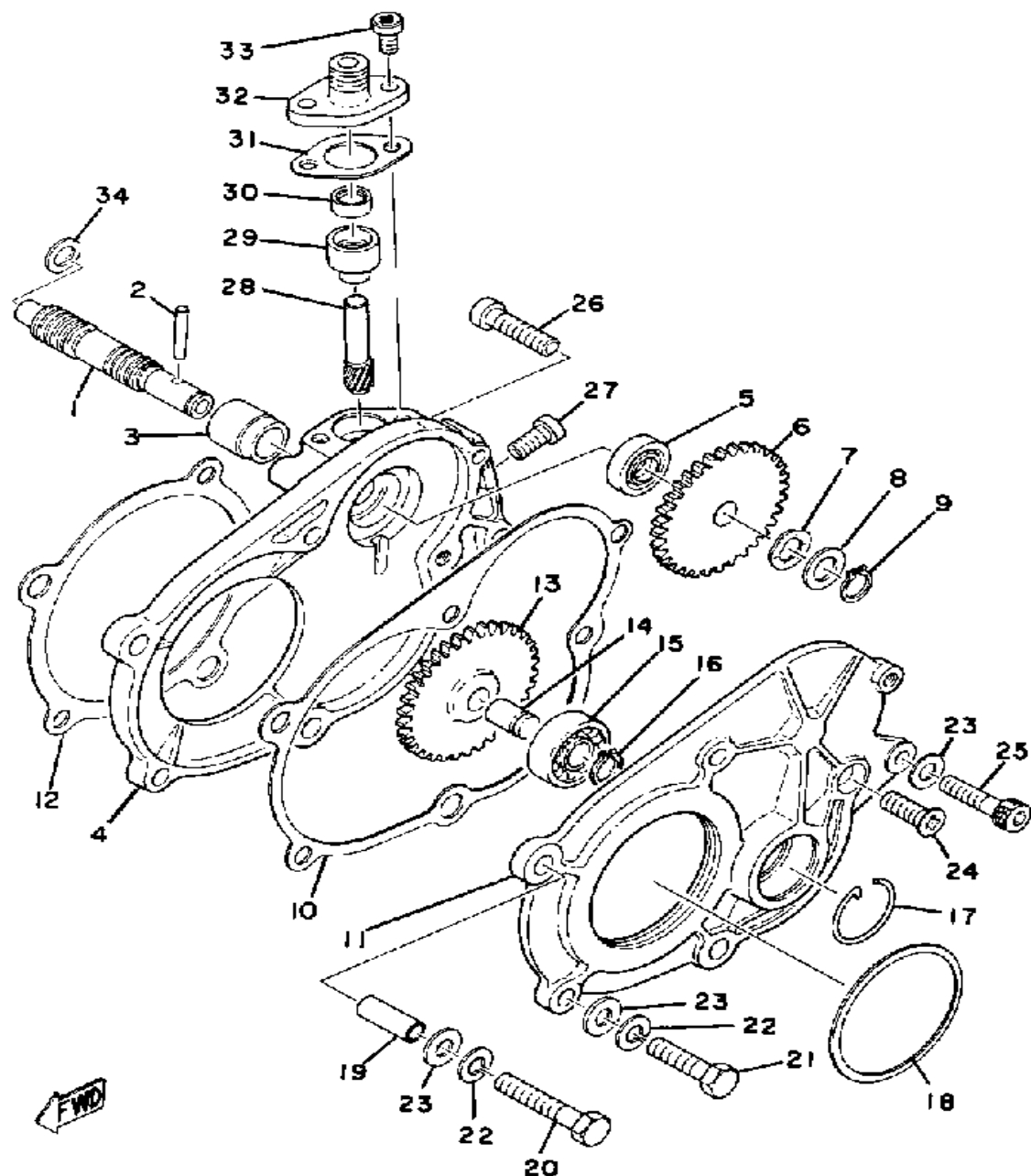
OIL PUMP



Ref. No.	Part Number	Description	Qty	Remarks
1	3MT-13116-00-00	GASKET, PUMP CASE (8Y0-13116-00)	1	
2	98580-05016-00	SCREW, PAN HEAD	2	
3	8G6-13101-00-00	OIL PUMP ASSEMBLY	1	
	8G7-13101-00-00	OIL PUMP ASSEMBLY	1	
4	137-13137-00-03	. SHIM (0.3T)	1	UR
	137-13137-00-05	. SHIM (0.5T)	1	UR
	137-13137-00-10	. SHIM (1.0T)	1	UR
5	137-13138-01-00	. PLATE, ADJUSTING	1	
6	92990-05100-00	. WASHER, SPRING	1	
7	95380-05600-00	. NUT	1	
8	90338-21100-00	. PLUG	1	
9	90157-04009-00	. SCREW, PAN HEAD	1	
10	92901-04600-00	. WASHER, PLATE	1	
11	90430-04004-00	. GASKET	1	
12	93505-32002-00	. BALL	2	
13	90501-02018-00	. SPRING, COMPRESSION	2	
14	353-13552-01-00	. NOZZLE	2	
15	90445-05372-00	. HOSE	1	
16	90445-052F5-00	. HOSE	1	
17	90468-02033-00	. CLIP	2	
18	90468-02033-00	CLIP	2	
19	8A5-13146-01-00	COVER, ADJUST PULLEY	1	
20	98506-04018-00	SCREW, PAN HEAD	3	
21	8G6-26320-00-00	PUMP CABLE ASSEMBLY	1	
22	90468-15020-00	CLIP	1	

Property of www.SmallEngineDiscount.com - Not for Resale

PUMP DRIVE GEAR

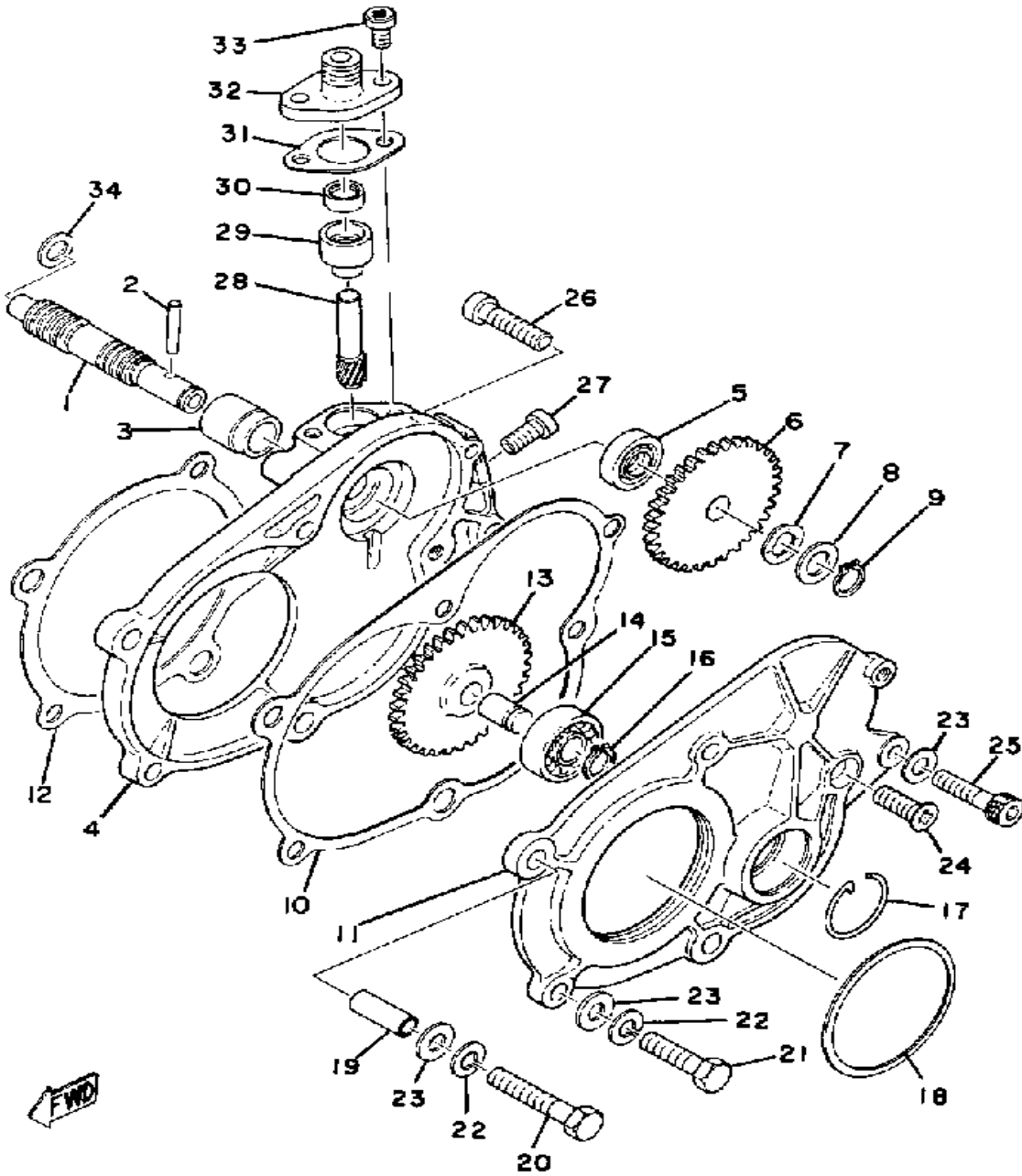


Ref. No.	Part Number	Description	Qty	Remarks
1	821-13175-00-00	SHAFT, WORM	1	
	866-13175-00-00	SHAFT, WORM	1	
2	93603-22028-00	PIN, DOWEL	1	
3	821-13176-00-00	METAL, WORM SHAFT OUTER	1	
4	(8A5-15416-00-00)	COVER, OIL PUMP	1	
5	93101-10090-00	OIL SEAL	1	
6	821-13188-00-00	GEAR, DRIVE (32T)	1	
7	90206-11016-00	WASHER, WAVE	1	
8	137-13148-00-00	PLATE, CAM THRUST	1	
9	99009-10400-00	CIRCLIP	1	
10	859-15466-00-00	GASKET 2	1	
11	8F7-15426-00-00	COVER, OIL PUMP R	1	
12	838-15456-00-00	GASKET, O/PMP CVR 1	1	
13	(8F3-13179-01-00)	GEAR, IDLE	1	
14	8F3-13342-00-00	SHAFT, IDLE GEAR	1	
15	93306-00003-00	BEARING (B6000RS)	1	
16	99009-10400-00	CIRCLIP	1	
17	(90468-12077-00)	CLIP	1	
18	93112-53004-00	OIL SEAL, SR-TYPE	1	
19	91810-18022-00	PIN, DOWEL	2	
20	97013-06035-00	BOLT	2	
21	97011-06025-00	BOLT (97001-06025)	2	
22	92995-06100-00	WASHER, SPRING	4	
23	92901-06600-00	WASHER	5	
24	98701-06014-00	SCREW, FLAT HEAD	1	
25	91316-06025-00	BOLT	1	
26	98511-06025-00	SCREW PAN HEAD (92501-06025)	1	
27	98580-06012-00	SCREW, PAN HEAD	1	

CONTINUED ON NEXT FRAME ►

Property of www.SmallEngineDiscount.com - Not for Resale

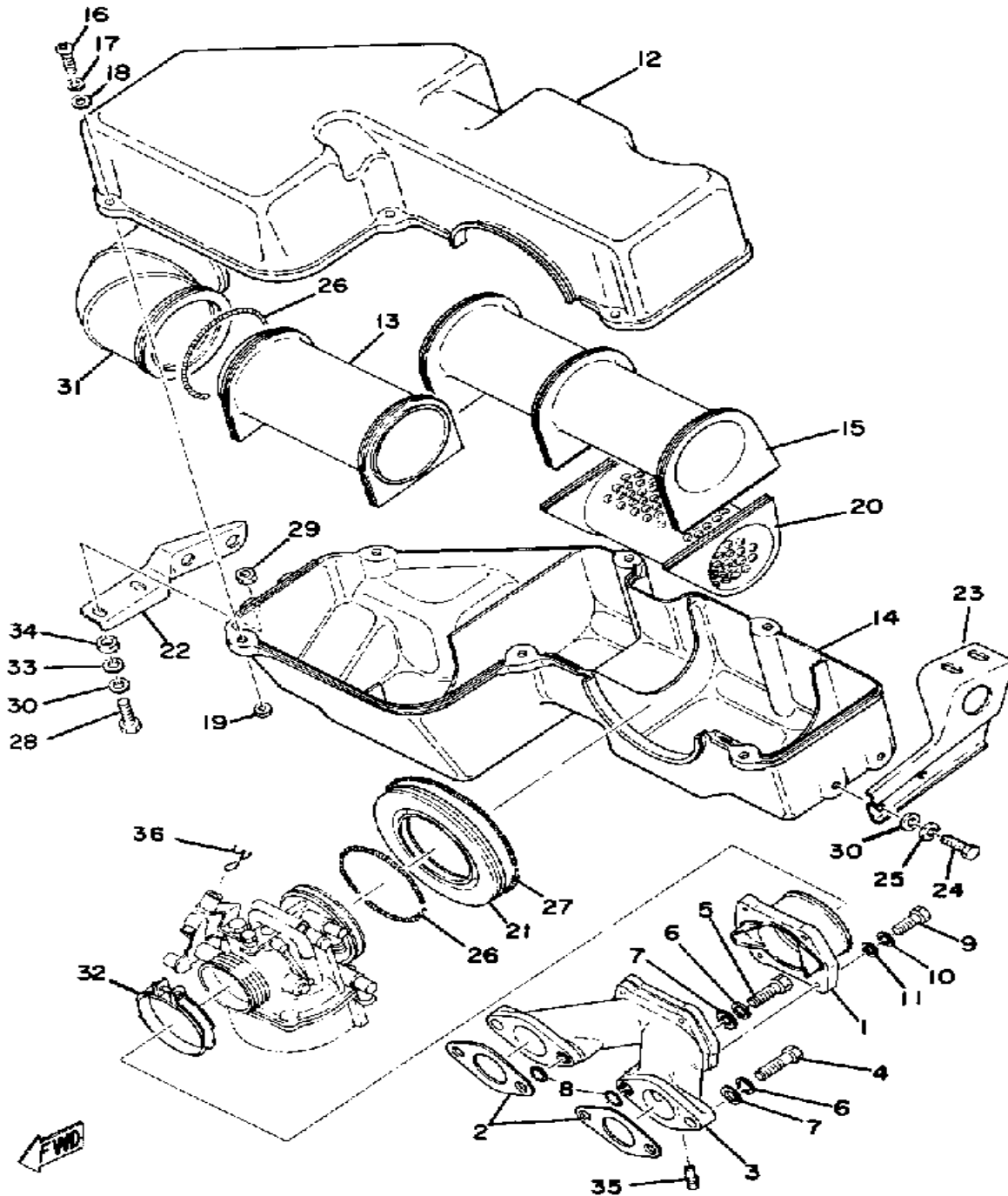
PUMP DRIVE GEAR



Ref. No.	Part Number	Description	Qty	Remarks
28	813-17841-00-00	GEAR, DRIVEN (10T)	1	
29	821-17843-00-00	BUSH, DRIVEN GEAR OUTER .	1	
30	93104-06033-00	OIL SEAL	1	
31	821-17818-02-00	GASKET	1	
32	821-17819-00-00	CAP, HOUSING	1	
33	98580-05010-00	SCREW, PAN HEAD	2	
34	90201-08624-00	WASHER, PLATE	1	

Property of www.SmallEngineDiscount.com - Not for Resale

AIR CLEANER (EX340B)

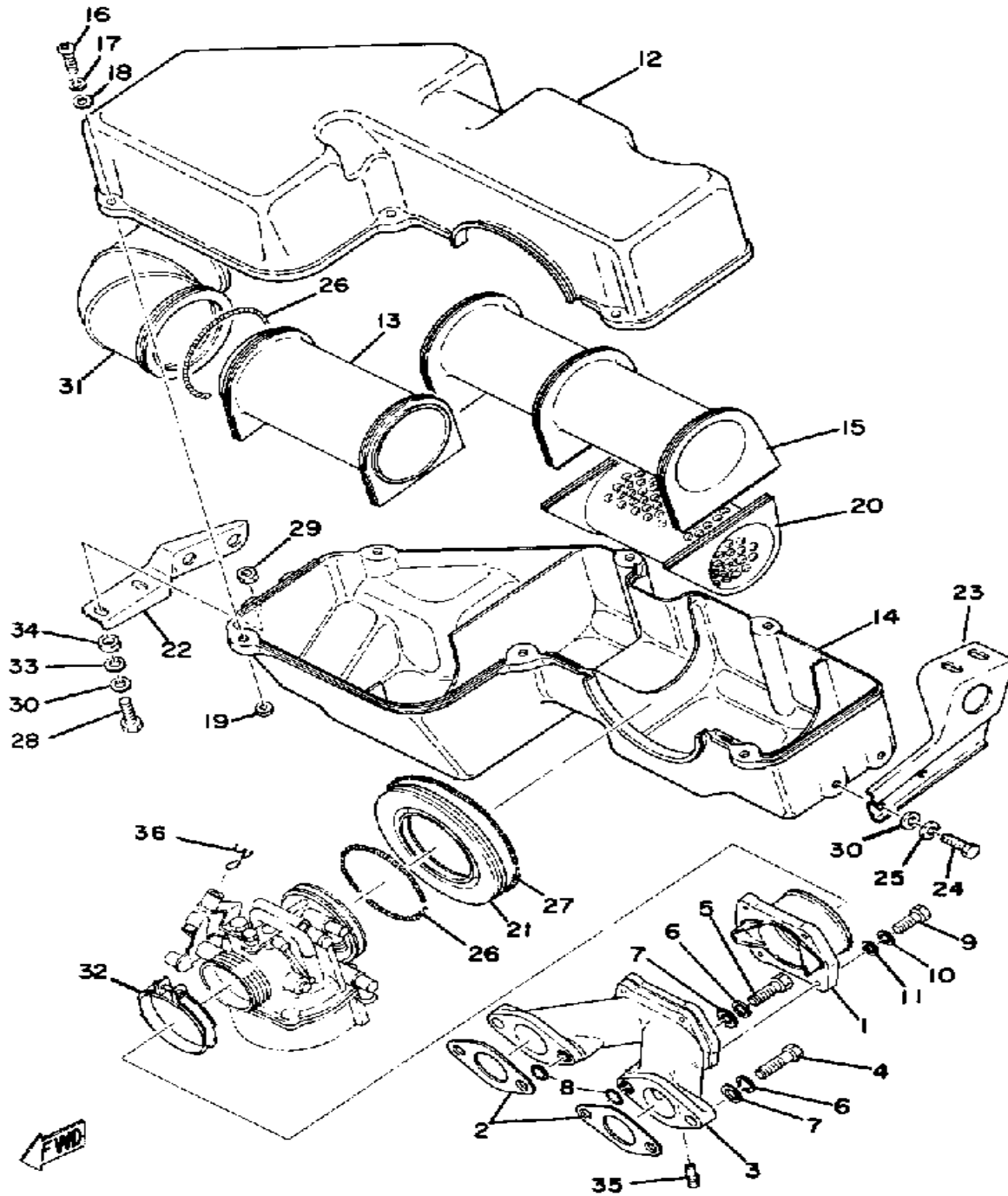


Ref. No.	Part Number	Description	Qty	Remarks
1	8G7-13555-00-00	MANIFOLD, INTAKE	1	
2	810-13563-00-00	GASKET	2	
3	(8G7-13565-00-00)	JOINT, CARBURETOR	1	
4	97313-08030-00	BOLT, HEXAGON	2	
5	91316-08025-00	BOLT, SOCKET HEAD	2	
6	92990-08100-00	WASHER	4	
7	92901-08600-00	WASHER	4	
8	93210-07540-00	O-RING	2	
9	97011-06025-00	BOLT (97001-06025)	4	
10	92995-06100-00	WASHER, SPRING	4	
11	92901-06600-00	WASHER	4	
12	8A5-14431-00-00	SILENCER, INTAKE 1	1	
13	8A5-14419-00-00	PIPE	1	
14	8A5-14441-00-00	SILENCER, INTAKE 2	1	
15	(8A5-14465-00-00)	PIPE	1	
16	98506-05018-00	SCREW, PAN HEAD	6	
17	92990-05100-00	WASHER, SPRING	6	
18	92901-05600-00	WASHER, PLATE	6	
19	95306-05600-00	NUT	6	
20	(8A6-14466-00-00)	PIPE	1	
21	8G6-14453-00-00	JOINT, AIR CLNR 1	1	
22	(8A5-14493-00-00)	STAY 1	1	
23	(8G6-14494-00-00)	STAY 2	1	
24	97013-06012-00	BOLT	4	
25	92995-06100-00	WASHER, SPRING	4	
26	90506-06083-00	SPRING, TENSION	2	
27	90506-06131-00	SPRING, TENSION	1	
28	90506-06131-00	SPRING, TENSION	1	EX340B
29	95601-06100-00	NUT, U	2	EX340B

CONTINUED ON NEXT FRAME ►

Property of www.SmallEngineDiscount.com - Not for Resale

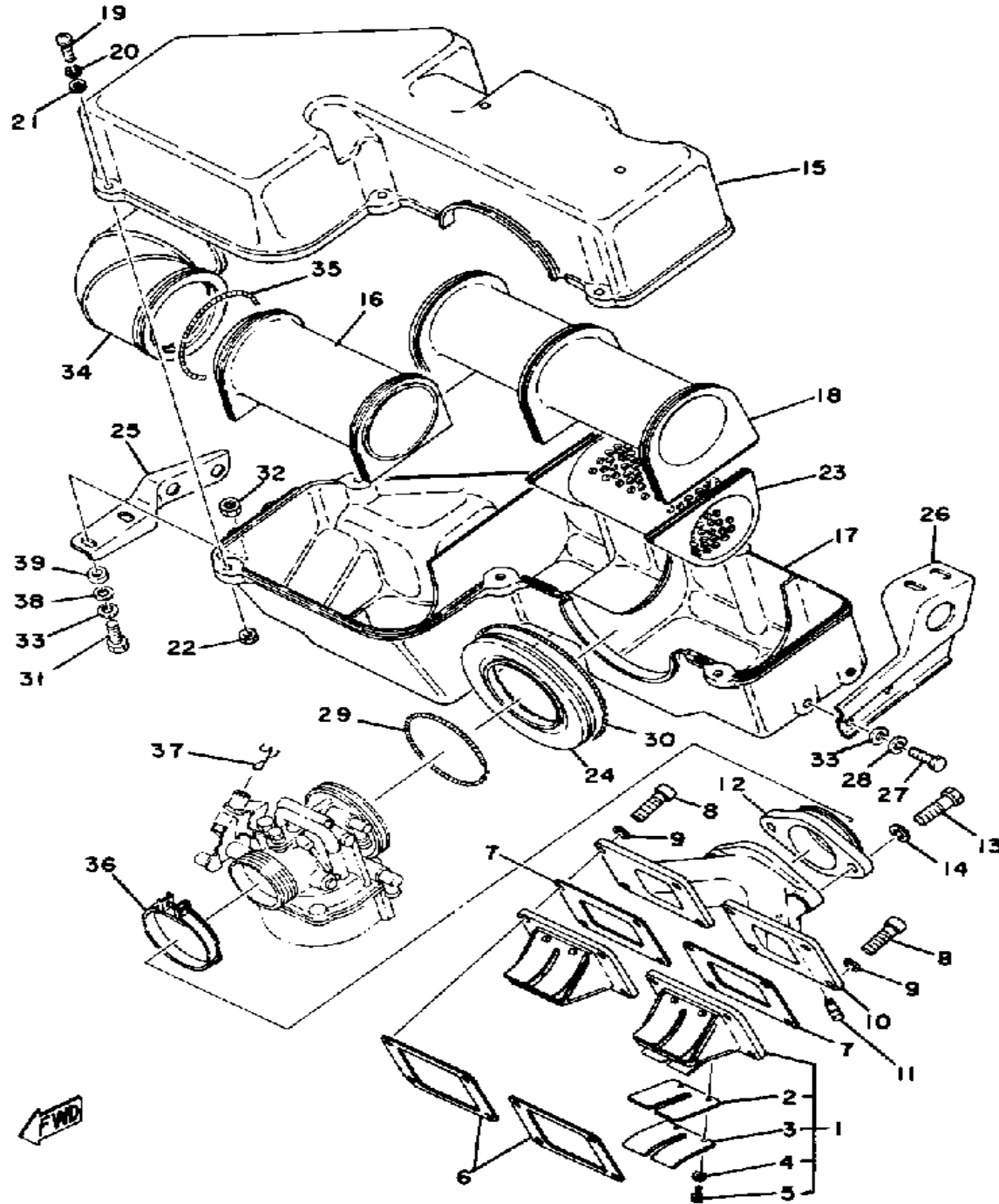
AIR CLEANER (EX340B)



Ref. No.	Part Number	Description	Qty	Remarks
30	92990-06200-00	WASHER	4	EX340B
31	8A5-14423-00-00	PIPE, SUCTION 1	1	EX340B
32	90460-60084-00	CLAMP, HOSE	1	EX340B
33	90201-065F3-00	WASHER, PLATE	2	EX340B
34	90387-064W1-00	COLLAR (90387-066J9)	2	EX340B
35	824-13552-00-00	NOZZLE	2	EX340B
36	830-41222-00-00	CLAMP, THROTTLE	1	EX340B

Property of www.SmallEngineDiscount.com - Not for Resale

AIR CLEANER (EX440B)

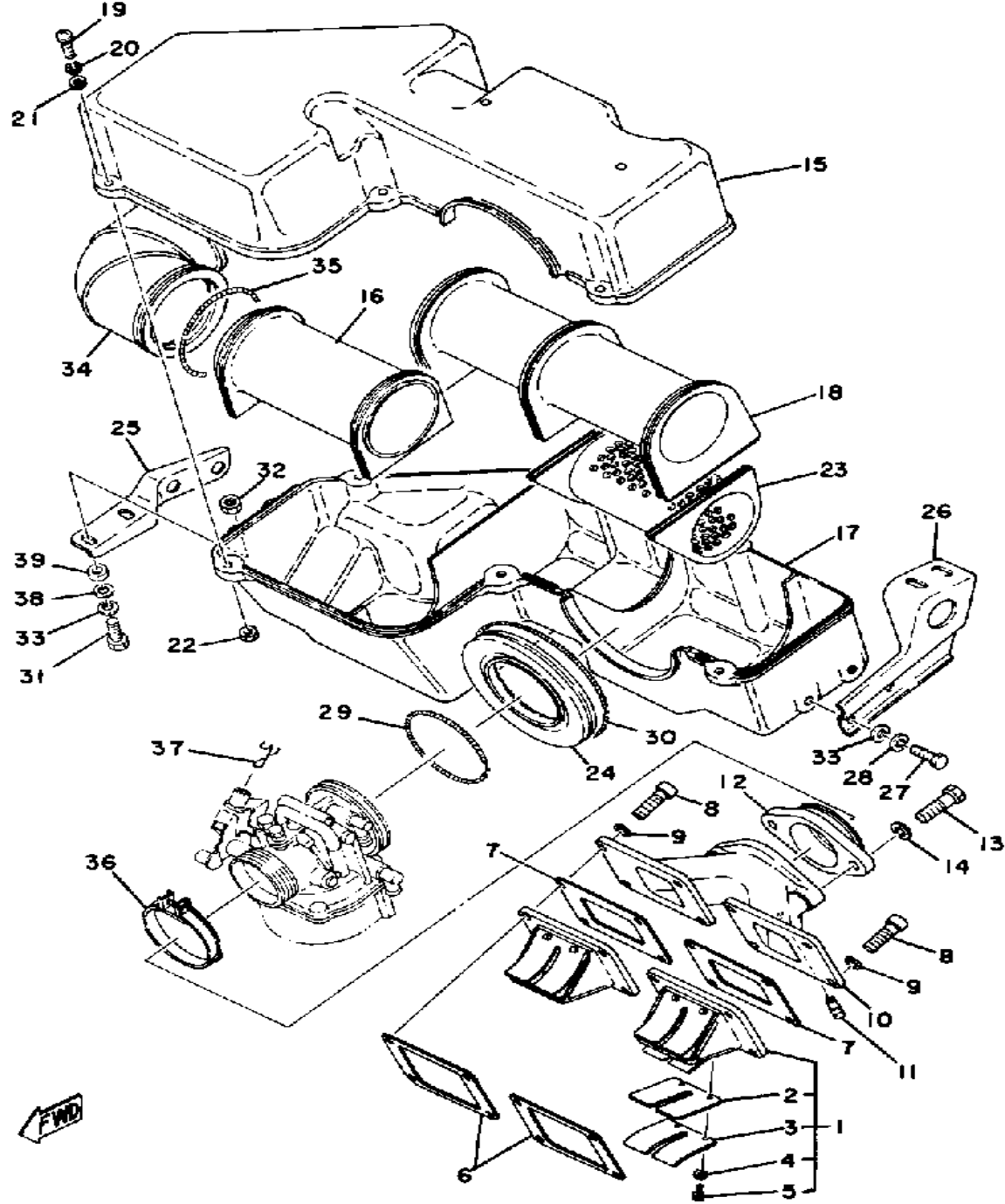


Ref. No.	Part Number	Description	Qty	Remarks
1	10V-13610-01-00	REED VALVE ASSEMBLY (885-13610-00)	2	
2	10V-13613-01-00	. REED, VALVE (1L8-13613-00)	4	
3	1UA-13616-00-00	. STOPPER REED VALVE VALVE (10V-13616-01)	4	
4	92990-03100-00	. WASHER, SPRING (92901-03100)	8	
5	98580-03008-00	. SCREW, PAN HEAD	8	
6	3TT-13621-00-00	GASKET, VALVE SEAT	2	
7	866-13563-00-00	GASKET	2	
8	91316-06025-00	BOLT	8	
9	92901-06600-00	WASHER	8	
10	(885-13565-00-00)	JOINT, CARBURETOR	1	
11	824-13552-00-00	NOZZLE	2	EX440B
12	8H8-13555-01-00	MANIFOLD, INTAKE	1	EX440B
13	97001-08025-00	BOLT (1NV)	2	EX440B
14	92990-08100-00	WASHER	2	EX440B
15	8A5-14431-00-00	SILENCER, INTAKE 1	1	EX440B
16	8A5-14419-00-00	PIPE	1	EX440B
17	8A5-14441-00-00	SILENCER, INTAKE 2	1	EX440B
18	(8A5-14465-00-00)	PIPE	1	EX440B
19	98506-05018-00	SCREW, PAN HEAD	6	EX440B
20	92990-05100-00	WASHER, SPRING	6	EX440B
21	92901-05600-00	WASHER, PLATE	6	
22	95306-05600-00	NUT	6	
23	(8A5-14466-01-00)	PIPE	1	
24	8G6-14453-00-00	JOINT, AIR CLNR 1	1	
25	(8A5-14493-00-00)	STAY 1	1	
26	8G6-14453-00-00	JOINT, AIR CLNR 1	1	
27	97013-06012-00	BOLT	4	

CONTINUED ON NEXT FRAME ►

Property of www.SmallEngineDiscount.com - Not for Resale

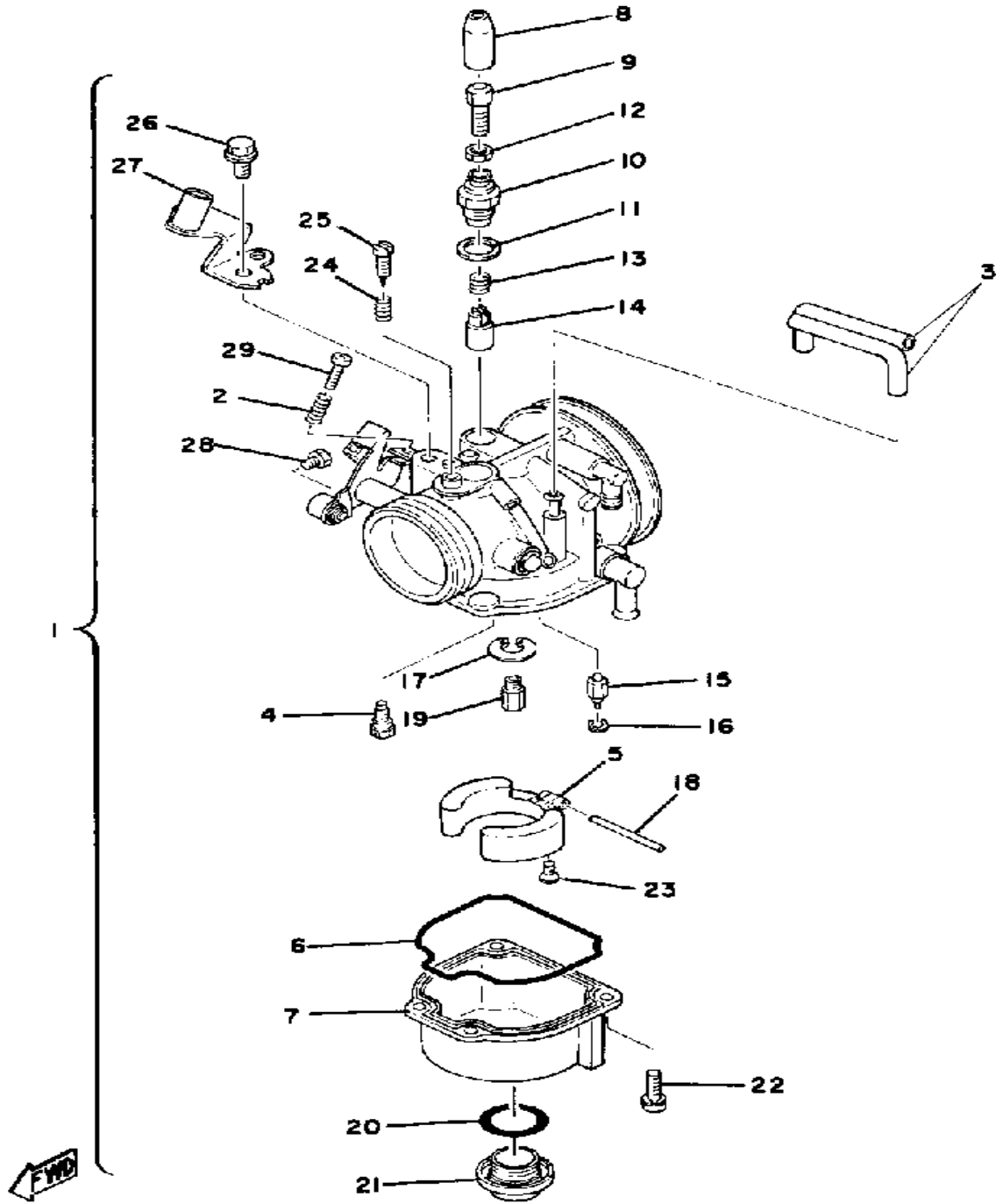
AIR CLEANER (EX440B)



Ref. No.	Part Number	Description	Qty	Remarks
28	92995-06100-00	WASHER, SPRING	4	
29	90506-06083-00	SPRING, TENSION	1	
30	90506-06131-00	SPRING, TENSION	1	
31	97011-06020-00	BOLT	2	
32	95601-06100-00	NUT, U	2	EX440B
33	92990-06200-00	WASHER	4	EX440B
34	8A5-14423-00-00	PIPE, SUCTION 1	1	EX440B
35	90506-06083-00	SPRING, TENSION	1	EX440B
36	90460-60084-00	CLAMP, HOSE	1	EX440B
37	830-41222-00-00	CLAMP, THROTTLE	1	EX440B
38	90201-065F3-00	WASHER, PLATE	2	EX440B
39	90387-064W1-00	COLLAR (90387-066J9)	2	EX440B

Property of www.SmallEngineDiscount.com - Not for Resale

CARBURETOR

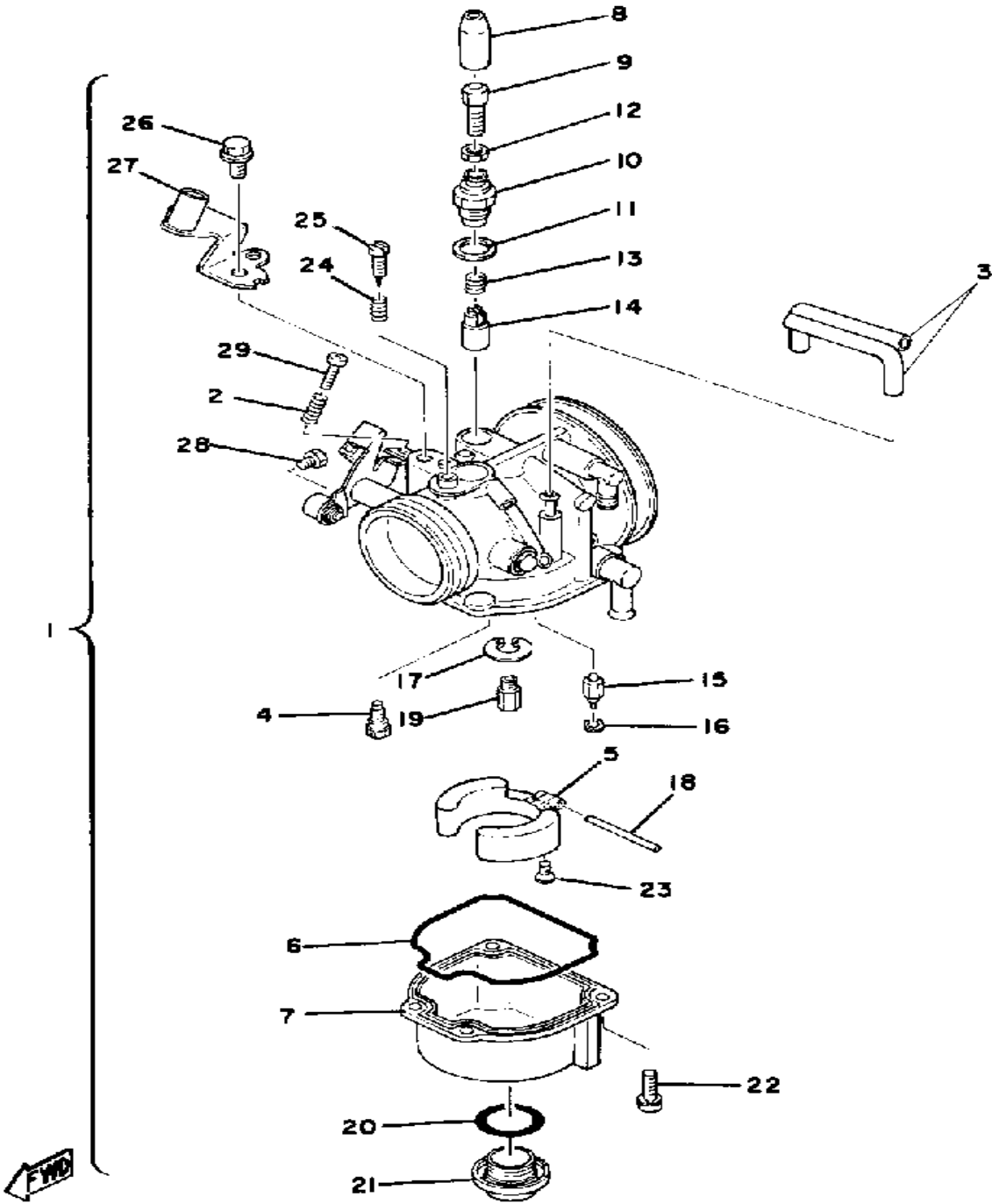


Ref. No.	Part Number	Description	Qty	Remarks
1	(8G7-14101-00-00)	CARBURETOR ASSEMBLY 1	1	
	8G6-14101-00-00	CARBURETOR ASSEMBLY 1	1	
2	90501-12229-00	. SPRING, COMPRESSION	1	
3	(8G6-14994-00-00)	NET, FILTER	2	
4	8G6-14948-20-00	. JET (#82)	1	
	8G6-14948-23-00	. JET # 0	1	
5	8G6-14985-01-00	. FLOAT	1	
6	8G6-14984-00-00	. GASKET, FLOAT CHAMBER	1	
7	(8G6-14980-00-00)	BODY, FLOAT CHAMBER	1	
8	(8A6-14967-00-00)	COVER	1	
9	8A6-14977-00-00	. SHAFT, STARTER LEVER	1	
10	8A6-14969-00-00	. CAP	1	
11	90201-12581-00	. WASHER, PLATE	1	
12	8E7-14161-00-00	. NUT, CABLE ADJUSTING	1	
13	90501-08443-00	. SPRING, COMPRESSION	1	
14	371-14993-60-00	. PLUNGER, STARTER	1	
15	8E7-14546-01-00	. VALVE, NEEDLE	1	
16	663-14159-00-00	. CLIP	1	
17	(8A5-14159-00-00)	CLIP	1	
18	663-14548-00-00	. PIN, FLOAT ARM	1	
19	(8A6-14516-48-00)	JET, MAIN #1 8	1	
	8A6-14516-25-00	. JET, MAIN #1 5	1	
	8A6-14516-30-00	. JET, MAIN #1 0	1	
	8A6-14516-35-00	. JET, MAIN #1 5	1	
	8A6-14516-38-00	. JET, MAIN #1 8	1	
	8A6-14516-42-00	. JET, MAIN #1 2	1	
	8A6-14516-62-00	. UNAVAILABLE IN PRICE BOOK	1	
20	93210-19309-00	. O-RING	1	

CONTINUED ON NEXT FRAME ►

Property of www.SmallEngineDiscount.com - Not for Resale

CARBURETOR

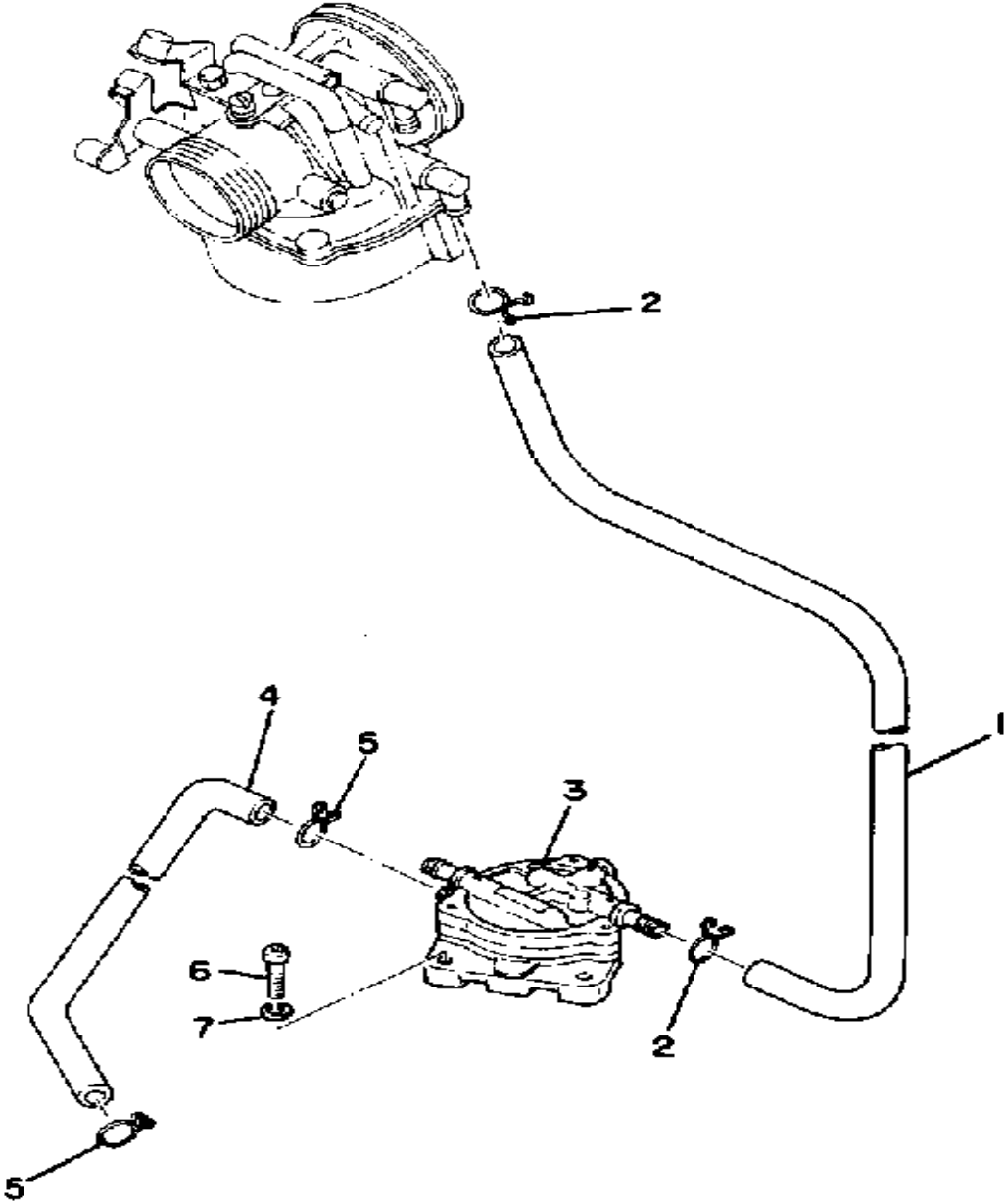


Ref. No.	Part Number	Description	Qty	Remarks
21	8M7-14992-00-00	. ROD	1	
22	97980-04114-00	. SCREW, WITH WASHER	4	
23	98701-04008-00	. SCREW, FLAT HEAD	1	
24	90501-08214-00	. SPRING, COMPRESSION	1	
25	8G6-14521-00-00	. SCREW, ADJUST	1	
26	8G6-14592-00-00	. SCREW	1	
27	8G6-14572-00-00	. PLATE, STAY	1	
28	(8F3-14591-00-00)	SCREW	1	
29	90157-04010-00	. SCREW, PAN HEAD	1	

Property of www.SmallEngineDiscount.com - Not for Resale

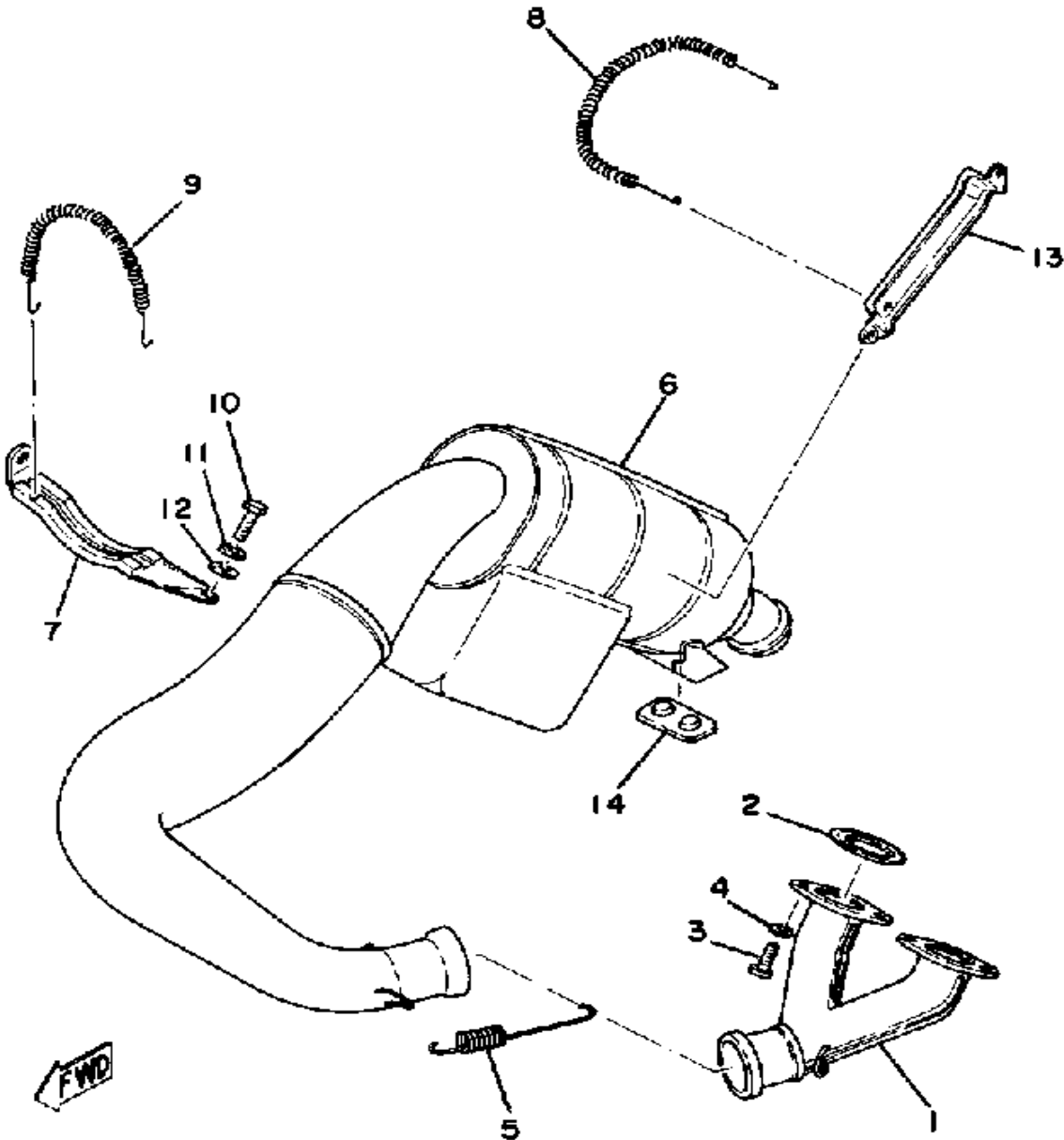
PIPING

Ref. No.	Part Number	Description	Qty	Remarks
1	90446-11290-00	HOSE	1	
2	90467-11009-00	CLIP	2	
3	8A5-24410-02-00	FUEL PUMP ASSEMBLY	1	
4	90445-10345-00	HOSE	1	
5	90467-09006-00	CLIP	2	
6	98580-06018-00	SCREW, PAN HEAD	2	
7	92995-06100-00	WASHER, SPRING	2	



Property of www.SmallEngineDiscount.com - Not for Resale

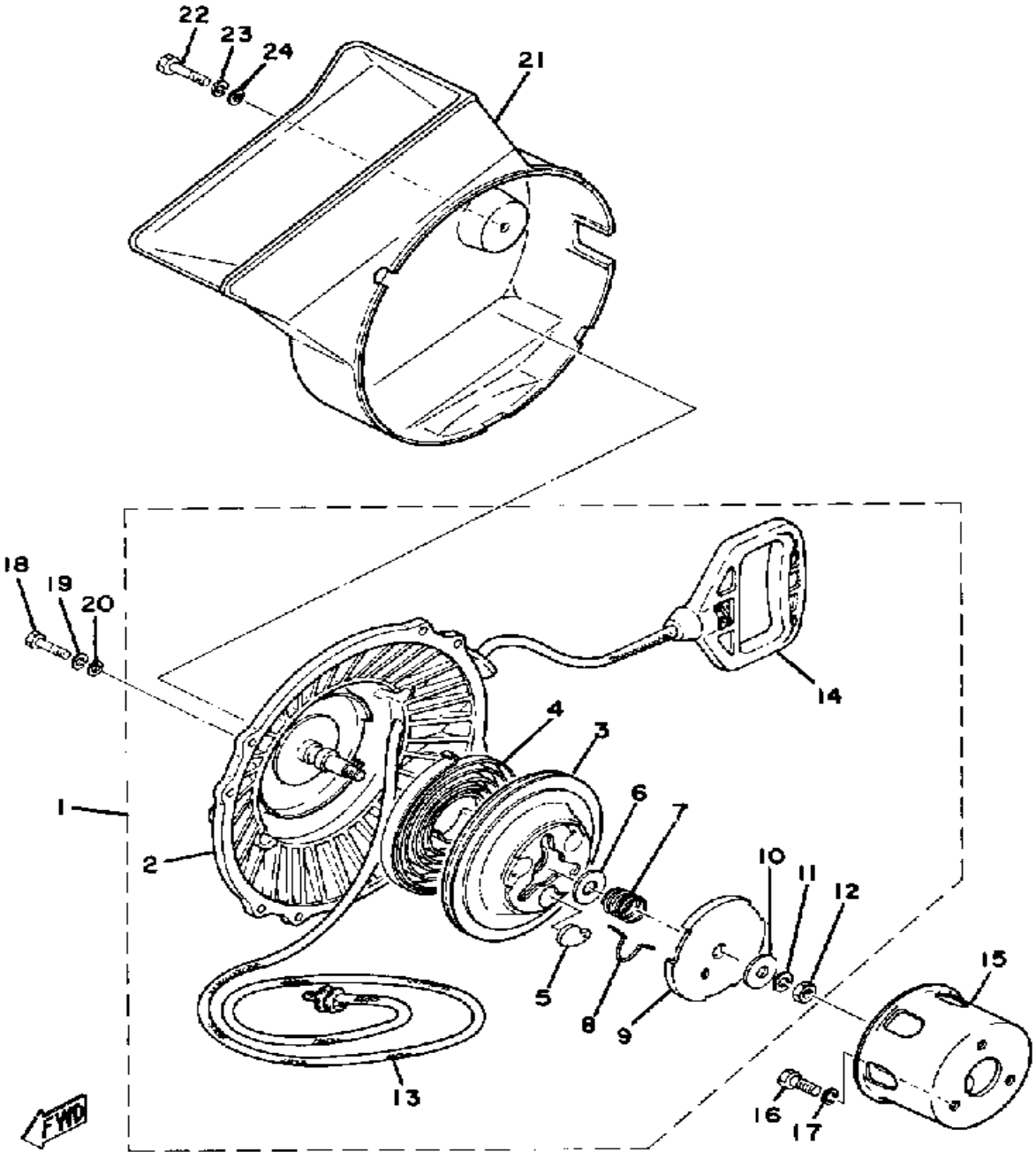
EXHAUST



Ref. No.	Part Number	Description	Qty	Remarks
1	8A5-14610-00-00	EXHAUST PIPE ASSEMBLY L .	1	
2	821-14613-01-00	GASKET, EXHAUST PIPE	2	
3	91316-08025-00	BOLT, SOCKET HEAD	4	
4	92990-08100-00	WASHER	4	
5	821-14773-00-00	SPRING, MUFFLER	2	
6	(8G7-14710-00-00) (8H6-14710-00-00)	MUFFLER ASSEMBLY L	1	
7	8A5-14771-00-00	STAY, MUFFLER 1	1	
8	90506-16130-00	SPRING, TENSION	1	
9	90506-16076-00	SPRING, TENSION	1	
10	97313-08018-00	BOLT, HEXAGON (97301-08016)	1	
11	92990-08100-00	WASHER	1	
12	92901-08600-00	WASHER	1	
13	(8A5-14772-01-00)	STAY, MUFFLER 2	1	
14	8A5-14728-02-00	PROTECTOR, MUFFLER 2	1	

Property of www.SmallEngineDiscount.com - Not for Resale

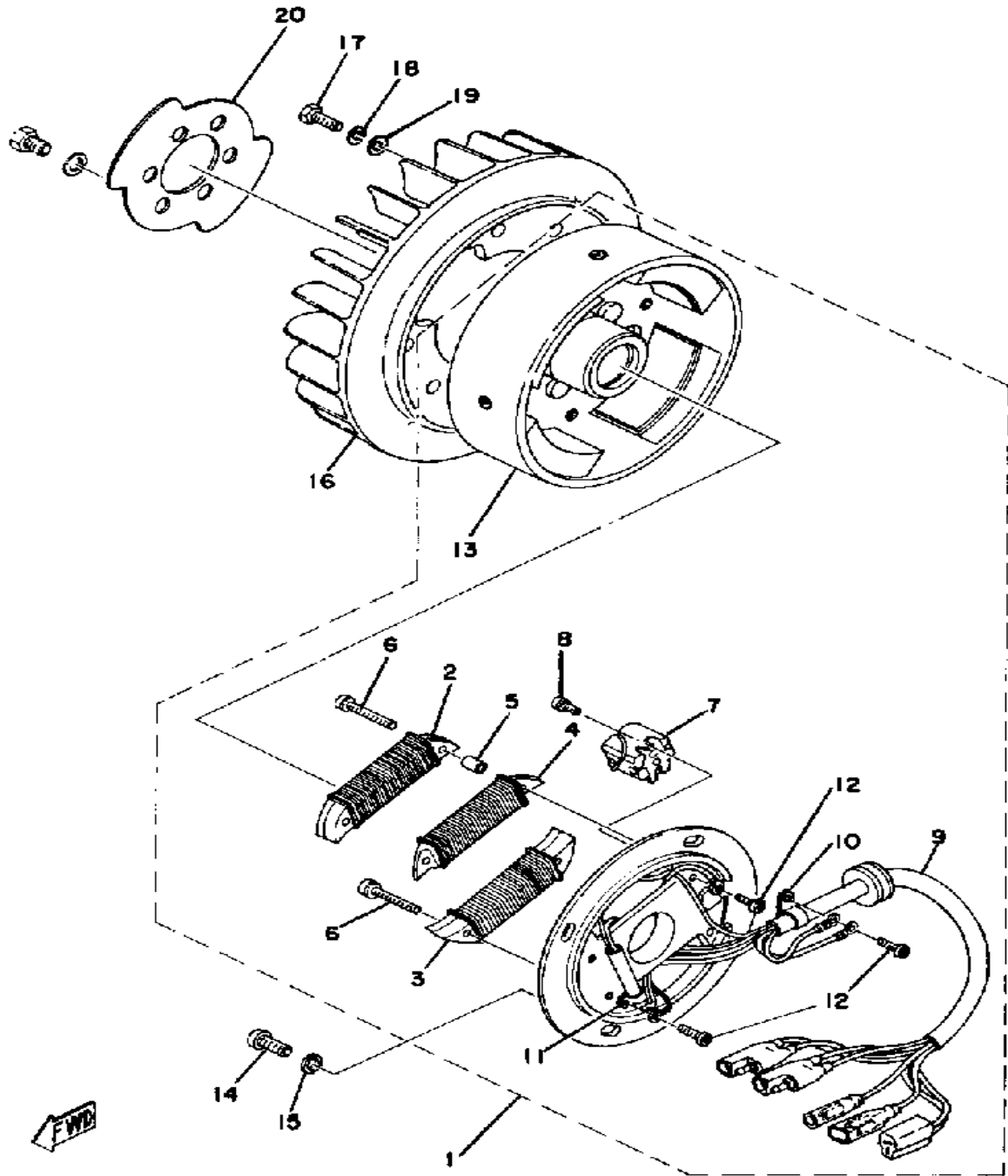
STARTER



Ref. No.	Part Number	Description	Qty	Remarks
1	8G6-15710-00-00	STARTER ASSEMBLY	1	
2	8A1-15711-00-00	. CASE, STARTER	1	
3	857-15714-00-00	. DRUM, SHEAVE	1	
4	8Y0-15713-00-00	. SPRING, STARTER	1	
5	616-15741-00-00	. UNAVAILABLE IN PRICE BOOK (811-15741-00)	3	
6	(802-15726-00-00)	WASHER, FLAT	1	
7	626-15715-01-00	. SPRING, DRIVE PLATE (807-15715-00)	1	
8	811-15784-00-00	. SPRING, RETURN	3	
9	811-15716-00-00	. PLATE, DRIVE	1	
10	807-15726-01-00	. WASHER, FLAT	1	
11	92990-08100-00	. WASHER	1	
12	95311-05700-00	. NUT	1	
13	857-15751-00-00	. WIRE, STARTER	1	
14	857-15751-00-00	. WIRE, STARTER	1	
15	8A1-15723-00-00	PULLEY, STARTER	1	
16	97313-08018-00	BOLT, HEXAGON (97301-08016)	3	
17	92990-08100-00	WASHER	3	
18	97016-06020-00	BOLT	4	
19	92906-06100-00	WASHER, SPRING	4	
20	92906-06600-00	WASHER	4	
21	8A5-15471-00-00	DUCT, AIR	1	
22	97026-06012-00	BOLT	2	
23	92995-06100-00	WASHER, SPRING	2	
24	90201-06067-00	WASHER, PLATE	2	

Property of www.SmallEngineDiscount.com - Not for Resale

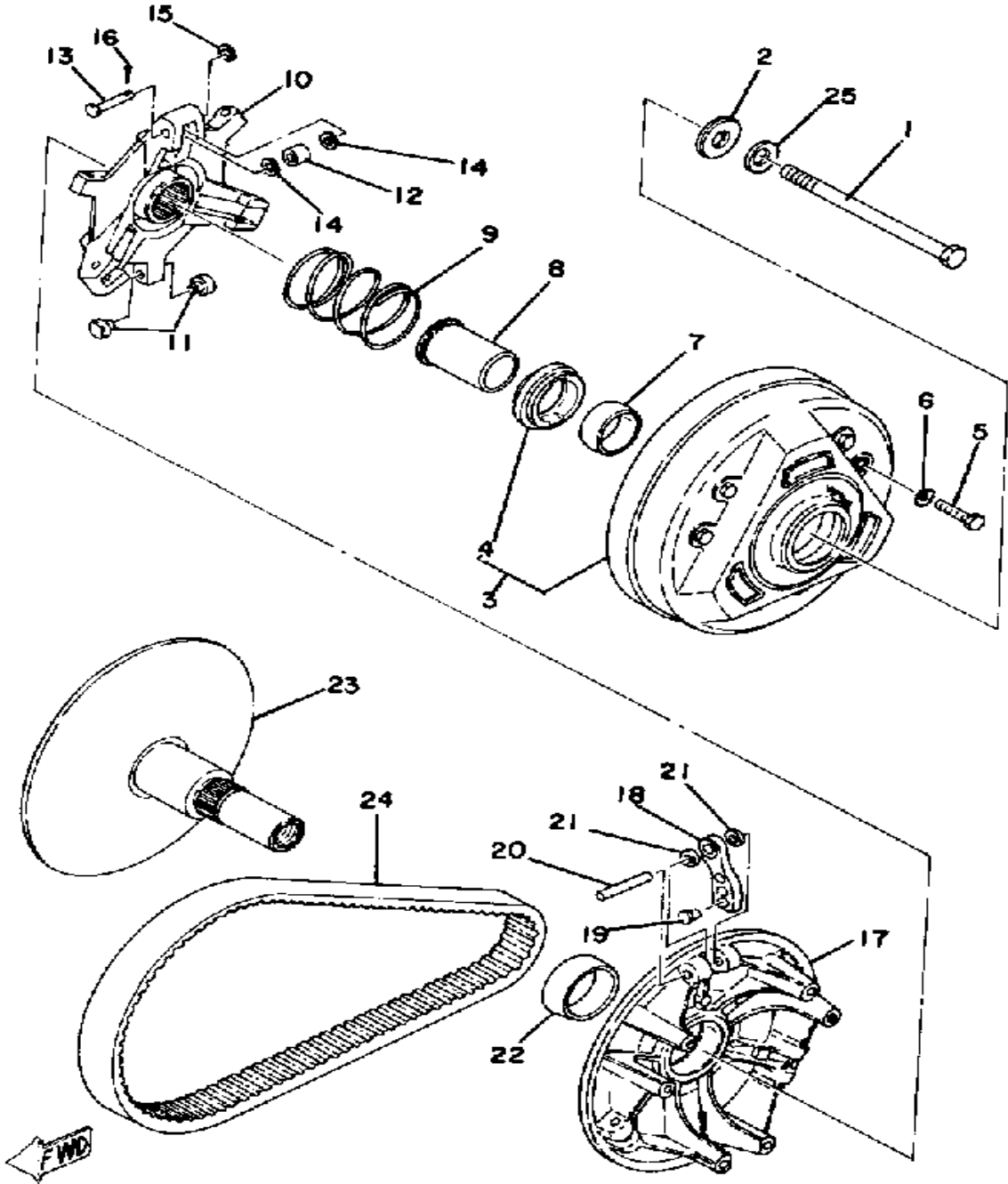
GENERATOR



Ref. No.	Part Number	Description	Qty	Remarks
1	(8E7-85500-10-00)	CDI MAGNETO ASSEMBLY	1	
2	8E7-85512-10-00	. COIL SOURCE 2	1	
3	8E7-85513-10-00	. COIL, LIGHTING 1	1	
4	8E7-85541-10-00	. COIL, CHARGE	1	
5	647-81318-10-00	. SPACER	2	
6	98501-05035-00	. SCREW, PAN HEAD	4	
7	(888-85543-10-00)	COIL PULSER	2	
8	110-81346-21-00	. SCREW, PAN HEAD	4	
9	(8E7-85515-10-00)	LEAD WIRE ASSEMBLY	1	
10	109-81328-11-00	. CLAMP	1	
11	(363-85528-10-00)	CLAMP, LEAD	2	
12	98580-04008-00	. SCREW, PAN HEAD	3	
13	8E7-85550-10-00	. ROTOR ASSEMBLY	1	
14	98503-06014-00	SCREW, PAN HEAD (92502-06016)	4	
15	92901-06600-00	WASHER	4	
16	838-12611-00-00	FAN	1	
17	97011-06016-00	BOLT	6	
18	92995-06100-00	WASHER, SPRING	6	
19	92901-06600-00	WASHER	6	
20	(8A5-81362-00-00)	COVER, HOLE	1	

Property of www.SmallEngineDiscount.com - Not for Resale

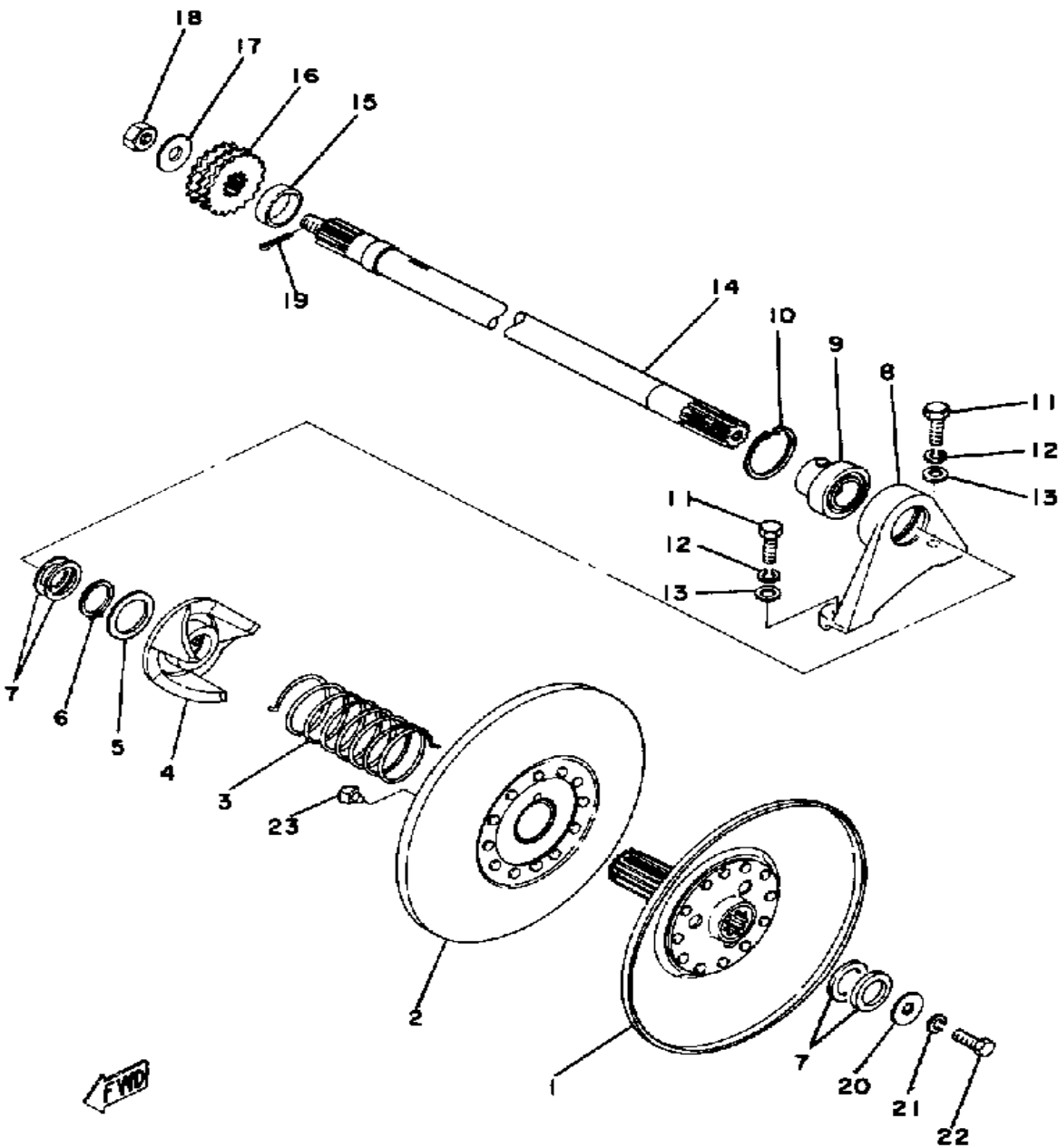
PRIMARY SHEAVE



Ref. No.	Part Number	Description	Qty	Remarks
1	90101-13406-00	BOLT	1	
2	8A7-17654-00-00	SPACER 1	1	
3	8E7-W1762-00-00	PRI. SHEAVE CAP	1	
4	8E7-17644-02-00	. SEAT, SPRING	1	
5	97313-06030-00	BOLT, HEXAGON	6	
6	92901-06400-00	WASHER, EX.TOOTH	6	
7	90389-34019-00	BUSH, SPEC"L SHAPE	1	
8	90387-28630-00	COLLAR	1	
9	(90501-50458-00)	SPRING, COMPRESSION	1	
	90501-50447-00	SPRING, COMPRESSION	1	
10	8J0-17627-00-00	SPIDER	1	
11	8F2-17653-00-00	SLIDER	6	
12	90387-06560-00	COLLAR	3	
13	90240-06062-00	PIN, CLEVIS	3	
14	90202-06113-00	WASHER, PLATE	6	
15	92990-06200-00	WASHER	3	
16	91401-25020-00	PIN, COTTER	3	
17	8E7-17621-01-00	SHEAVE, PRI SLIDING	1	
18	8E7-17632-00-00	WEIGHT, CLUTCH	3	
19	90261-06017-00	RIVET, COUNTERSUNK (ST11.3MM)	3	
	90261-06017-00	RIVET, COUNTERSUNK (ST11.3MM)	6	
20	93607-44120-00	PIN, DOWEL	3	
21	90201-07641-00	WASHER, PLATE	6	
22	90389-41018-00	BUSH, SPEC"L SHAPE	1	
23	8F2-17610-00-00	PRI FIXED SHEAVE	1	
24	8F2-17641-01-00	V-BELT	1	
25	90208-13023-00	WASHER, CONICAL SPR	1	

Property of www.SmallEngineDiscount.com - Not for Resale

SECONDARY SHEAVE

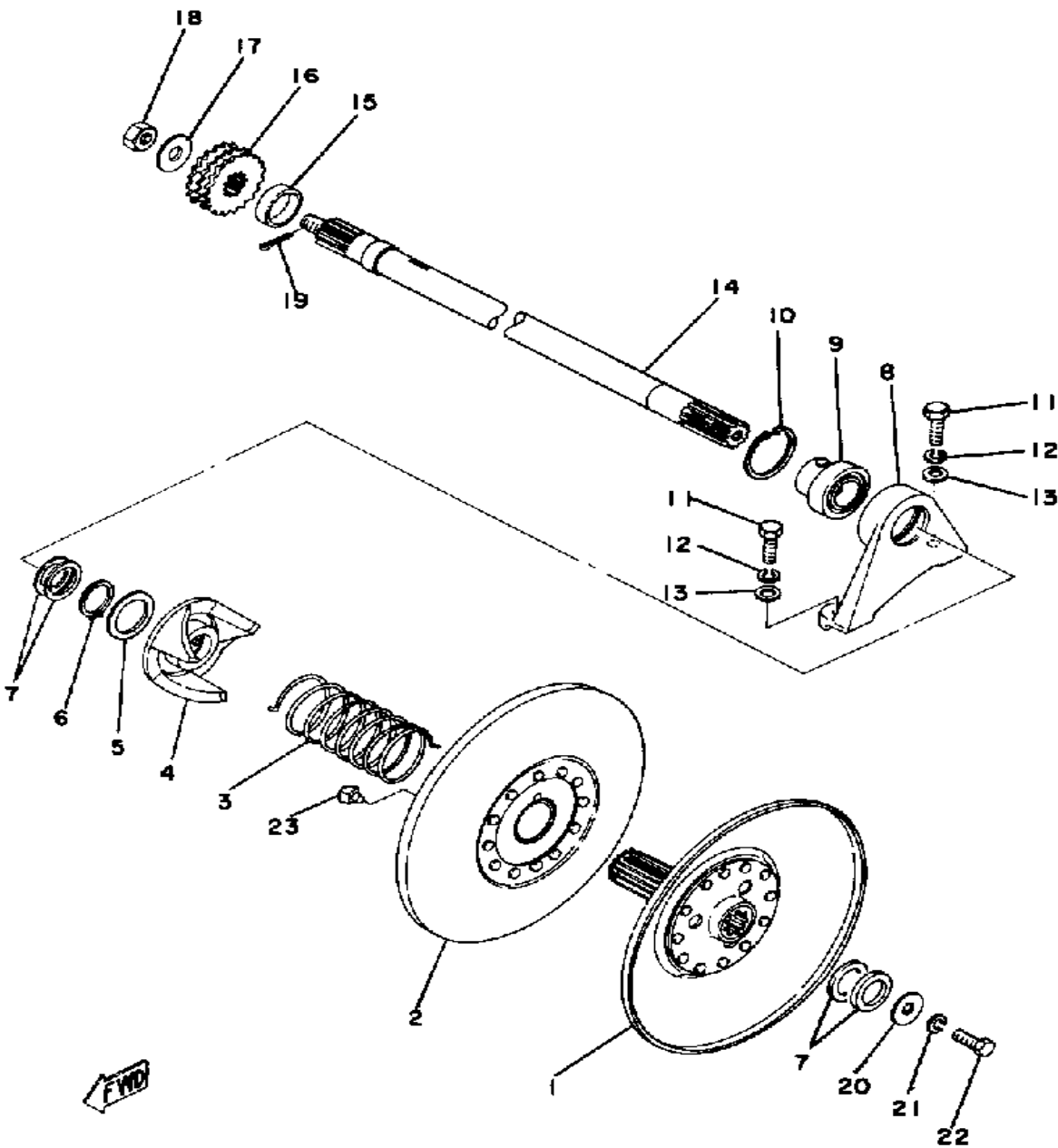


Ref. No.	Part Number	Description	Qty	Remarks
1	8A5-17660-01-00	SEC FXD SHVSHEAVE COMP.	1	
2	(8F2-17670-00-00)	SEC SLIDING SHEAVE	1	
3	90508-45286-00	SPRING, TORSION	1	
	90508-45287-00	SPRING, TORSION	1	
4	8A5-17684-01-00	SEAT, SEC SPRINGSRING ..	1	
	8A7-17684-00-00	SEAT, SEC SPRING	1	
5	90201-34684-00	WASHER, PLATE	1	
6	93440-34170-00	CIRCLIP	1	
7	90201-25526-00	. WASHER, PLATE (T2.0)	2	
	90201-25527-00	. WASHER, PLATE (T1.0)	1	
	99999-01011-00	SPACER (25-36-5.0)	1	
8	878-47631-00-00	HOUSING, BEARING	1	
9	888-17678-00-00	BEARING	1	
10	99009-52500-00	CIRCLIP	1	
11	97013-10030-00	BOLT (8J7) (97303-10030)	2	
12	92990-10100-00	WASHER, SPRING	2	
13	90201-10124-00	WASHER, PLATE	2	
14	(888-17680-00-00)	SHAFT, SECONDARY	1	
15	90387-25259-00	COLLAR	1	
16	829-17682-00-00	SPRKT, CHAIN DR 20T (20T) ..		UR
	829-17682-50-00	SPRKT, CHAIN DR 15T (878-17682-50) (15T)		
	829-17682-60-00	SPRKT, CHAIN DR 16T (16T) ..		
	829-17682-70-00	SPRKT, CHAIN DR 17T (17T) ..		
	829-17682-80-00	SPRKT, CHAIN DR 18T (18T) ..	1	UR STD
	829-17682-90-00	SPRKT, CHAIN DR 19T (878-17682-90) (19T)		
	8U9-17693-10-00	SPROCKET, CHAIN DR (878-17693-10) (21T)		
	8U9-17693-20-00	SPROCKET, CHAIN DR (878-17693-20) (22T)		UR

CONTINUED ON NEXT FRAME ➤

Property of www.SmallEngineDiscount.com - Not for Resale

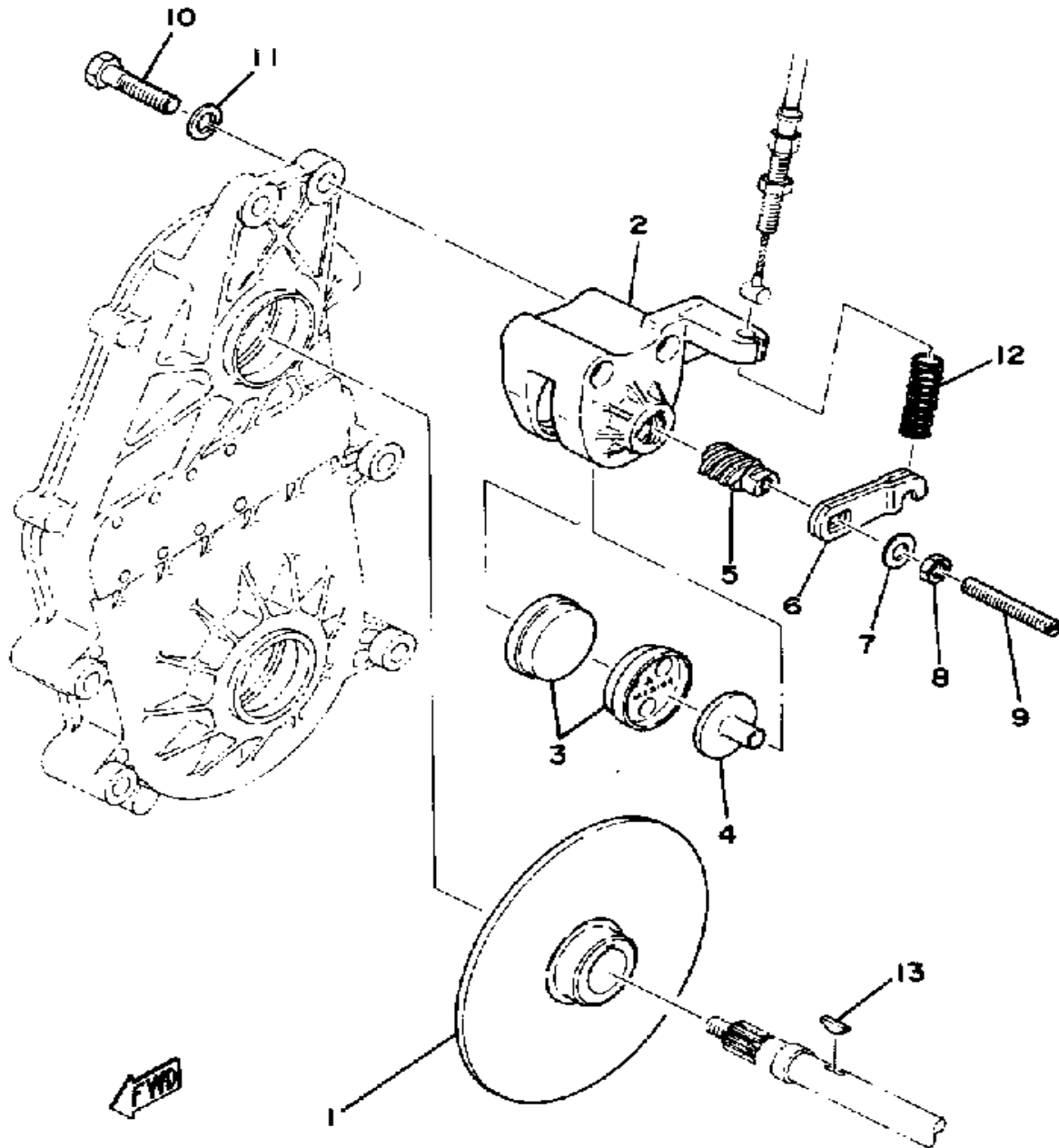
SECONDARY SHEAVE



Ref. No.	Part Number	Description	Qty	Remarks
17	90201-14319-00	WASHER, PLATE		
18	95312-14600-00	NUT		
19	91401-30030-00	PIN, COTTER		
20	90201-10321-00	WASHER, PLATE		
21	92990-10100-00	WASHER, SPRING		
22	97011-10025-00	BOLT		
23	8X6-17688-00-00	SHOE, RAMP		

Property of www.SmallEngineDiscount.com - Not for Resale

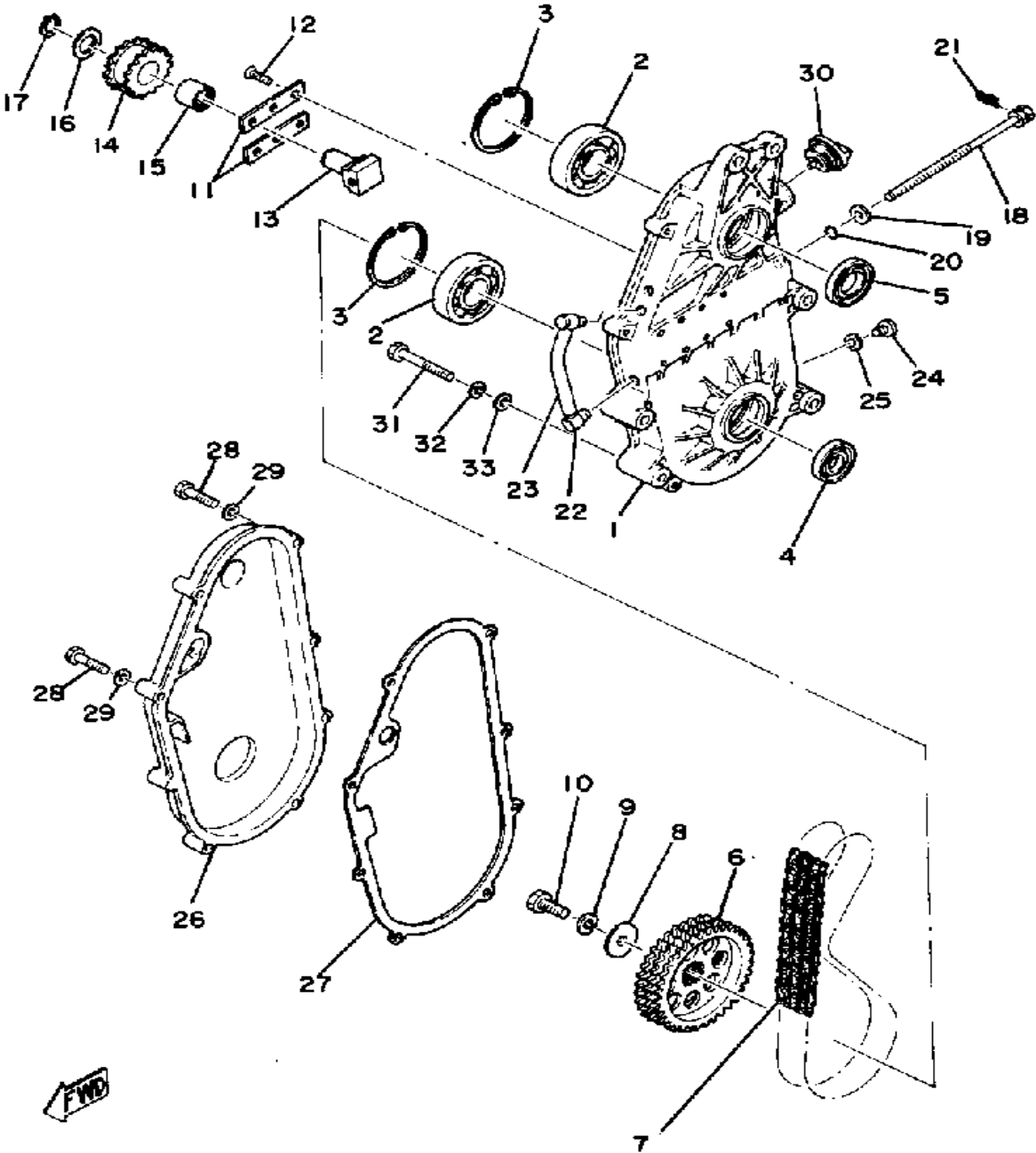
BRAKE



Ref. No.	Part Number	Description	Qty	Remarks
1	888-25831-00-00	DISC, BRAKE		
2	878-25731-00-00	BODY, CALIPER 1		
3	84X-85811-00-00	UNAVAILABLE IN PRICE BOOK	1	
4	878-25733-00-00	PLATE, BACK UP		
5	878-25728-00-00	CAM		
6	878-25726-00-00	LEVER, BRAKE		
7	92901-08600-00	WASHER		
8	95303-08700-00	NUT		
9	90149-08033-00	SCREW, SPEC'L SHAPE		
10	97013-10040-00	BOLT		
11	92990-10100-00	WASHER, SPRING		
12	90501-23337-00	SPRING, COMPRESSION		
13	8J7-25848-00-00	KEY		

Property of www.SmallEngineDiscount.com - Not for Resale

TRACK DRIVE

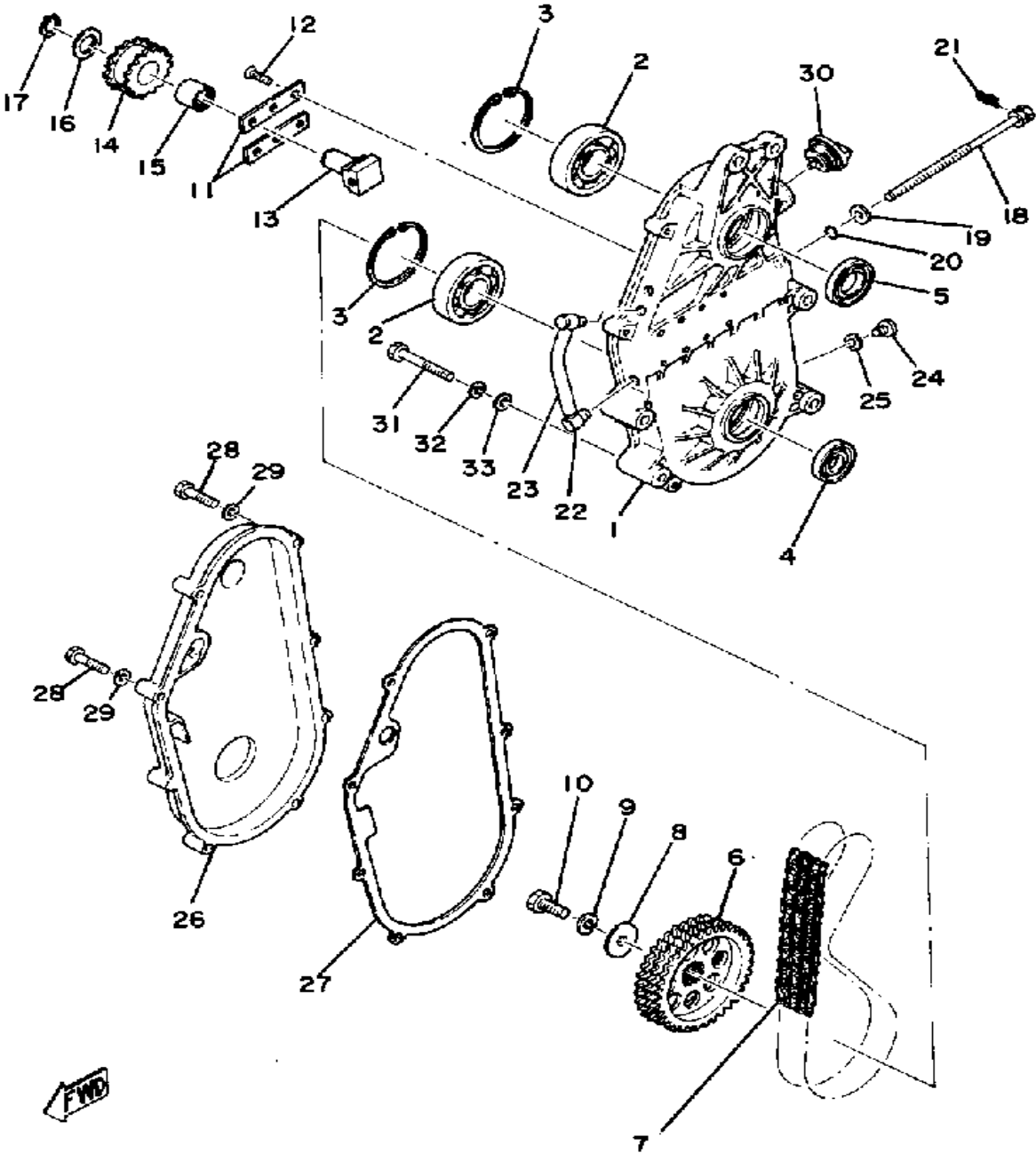


Ref. No.	Part Number	Description	Qty	Remarks
1	(888-47541-00-00)	HOUSING, CHAIN		
2	93306-30536-00	BEARING		
3	93420-62070-00	CIRCLIP 54G		
4	93102-25081-00	OIL SEAL		
5	93102-33140-00	OIL SEAL, SD-TYPE		
6	8U9-47587-00-00	SPROCKET, CHN DRVN (31T) .		
	8U9-47587-10-00	SPROCKET, CHN DRVN (888-47587-00) (33T)		
	8U9-47587-30-00	SPROCKET, CHN DRVN (878-47587-20) (35T)		
7	94850-35070-00	CHAIN 70 (RS35V-3 70L)		UR
	94850-35072-00	CHAIN 72 (RS35V-3 72L)		UR
	94850-35074-00	CHAIN 4		UR
8	90201-10321-00	WASHER, PLATE		
9	92990-10100-00	WASHER, SPRING		
10	97011-10025-00	BOLT		
11	8A7-47613-00-00	HOLDER		
12	98701-06014-00	SCREW, FLAT HEAD		
13	878-47611-00-00	TENSIONER		
14	878-47612-00-00	WHEEL		
15	93317-31701-00	BEARING		
16	90201-17406-00	WASHER, PLATE		
17	99009-17400-00	CIRCLIP		
18	90109-08357-00	BOLT		
19	90201-084M4-00	WASHER, PLATE (90201-08088-00)		
20	93210-08006-00	O-RING		
21	90468-16065-00	CLIP		
22	583-15371-00-00	BREATHER		
23	90445-09064-00	HOSE		

CONTINUED ON NEXT FRAME ➤

Property of www.SmallEngineDiscount.com - Not for Resale

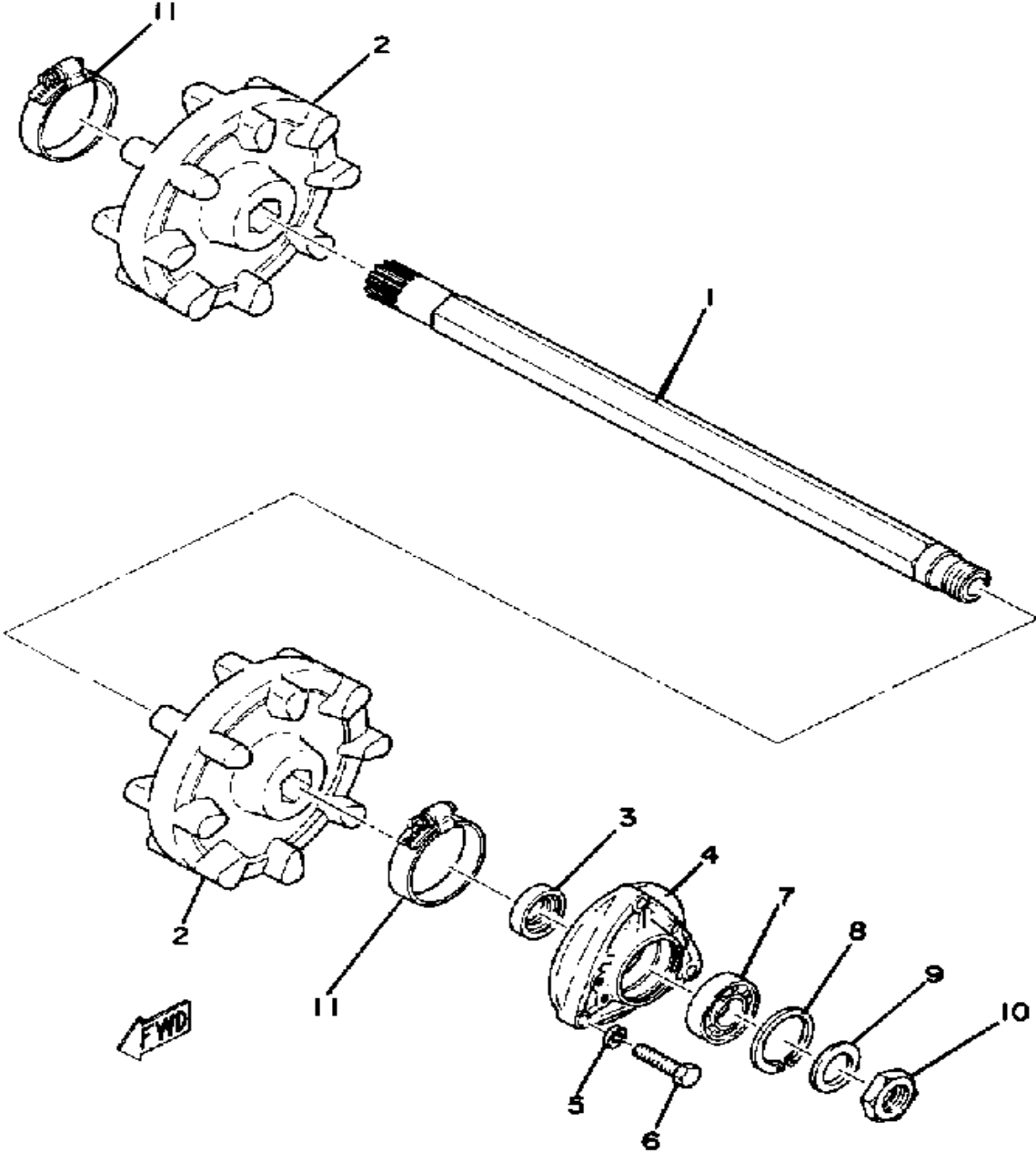
TRACK DRIVE



Ref. No.	Part Number	Description	Qty	Remarks
24	98580-06010-00	SCREW, PAN HEAD (92503-06010)	
25	90430-06016-00	GASKET	
26	888-47543-00-00	CAP, HOUSING	
27	878-47544-00-00	GASKET	
28	97013-06035-00	BOLT	
29	92901-06600-00	WASHER	
30	857-47559-00-00	CAP 2	
31	97321-08055-00	BOLT, HEXAGON	
32	92990-08100-00	WASHER	
33	92901-08600-00	WASHER	

Property of www.SmallEngineDiscount.com - Not for Resale

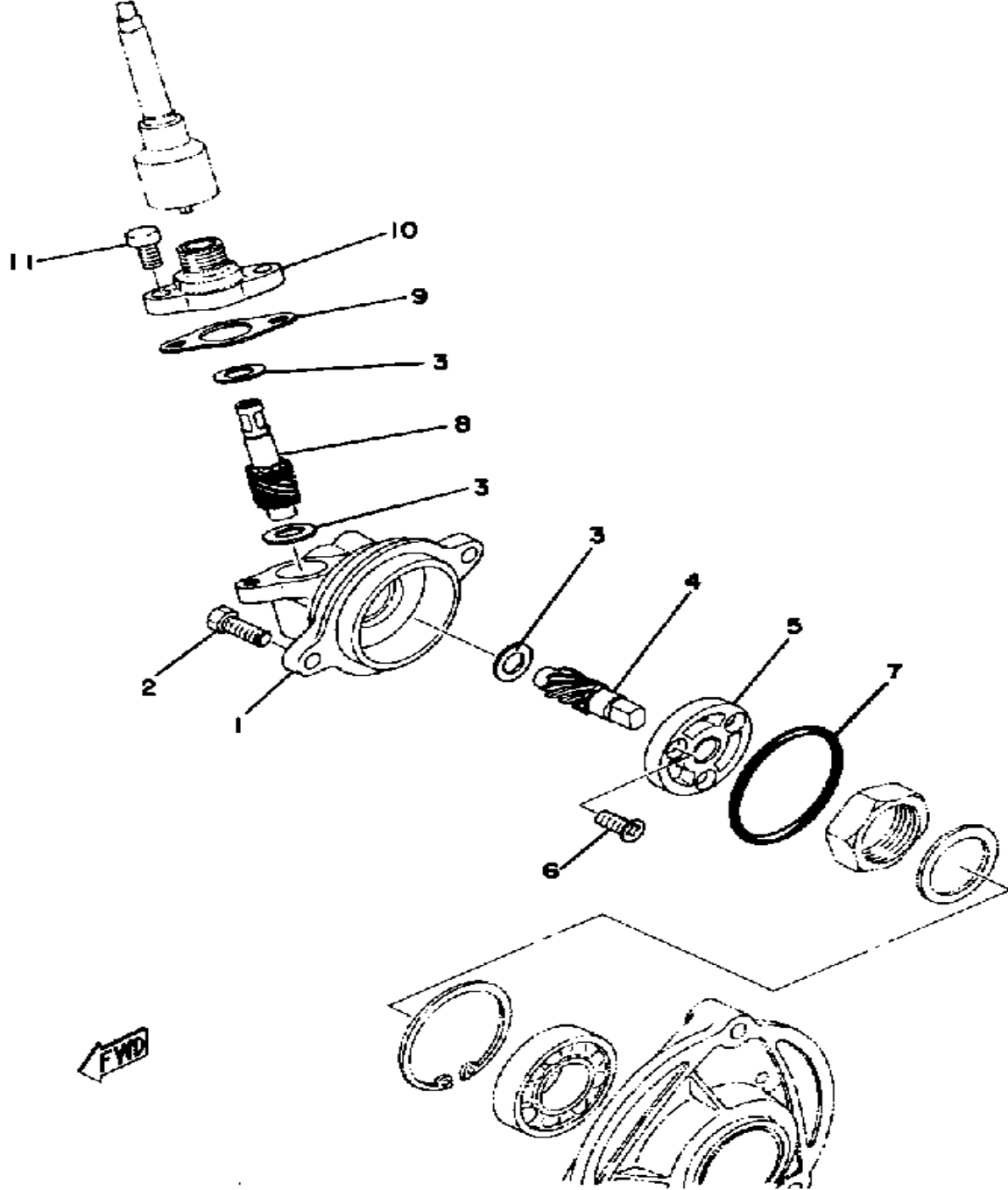
FRONT AXLE



Ref. No.	Part Number	Description	Qty	Remarks
1	8A5-W4751-00-00	AXLE, FRONT		
2	8J7-47531-01-00	WHEEL, SPROCKET 1		
3	93102-25084-00	OIL SEAL, SD-TYPE		
4	841-47551-00-00	HOUSING, FRONT AXLE		
5	92990-08100-00	WASHER		
6	97013-08025-00	BOLT		
7	93306-00412-00	BEARING		
8	93420-44029-00	CIRCLIP, R-TYPE		
9	90208-22001-00	WASHER, CONICAL SPRING ..		
10	90170-22094-00	NUT		
11	90460-50079-00	CLAMP, HOSE		

Property of www.SmallEngineDiscount.com - Not for Resale

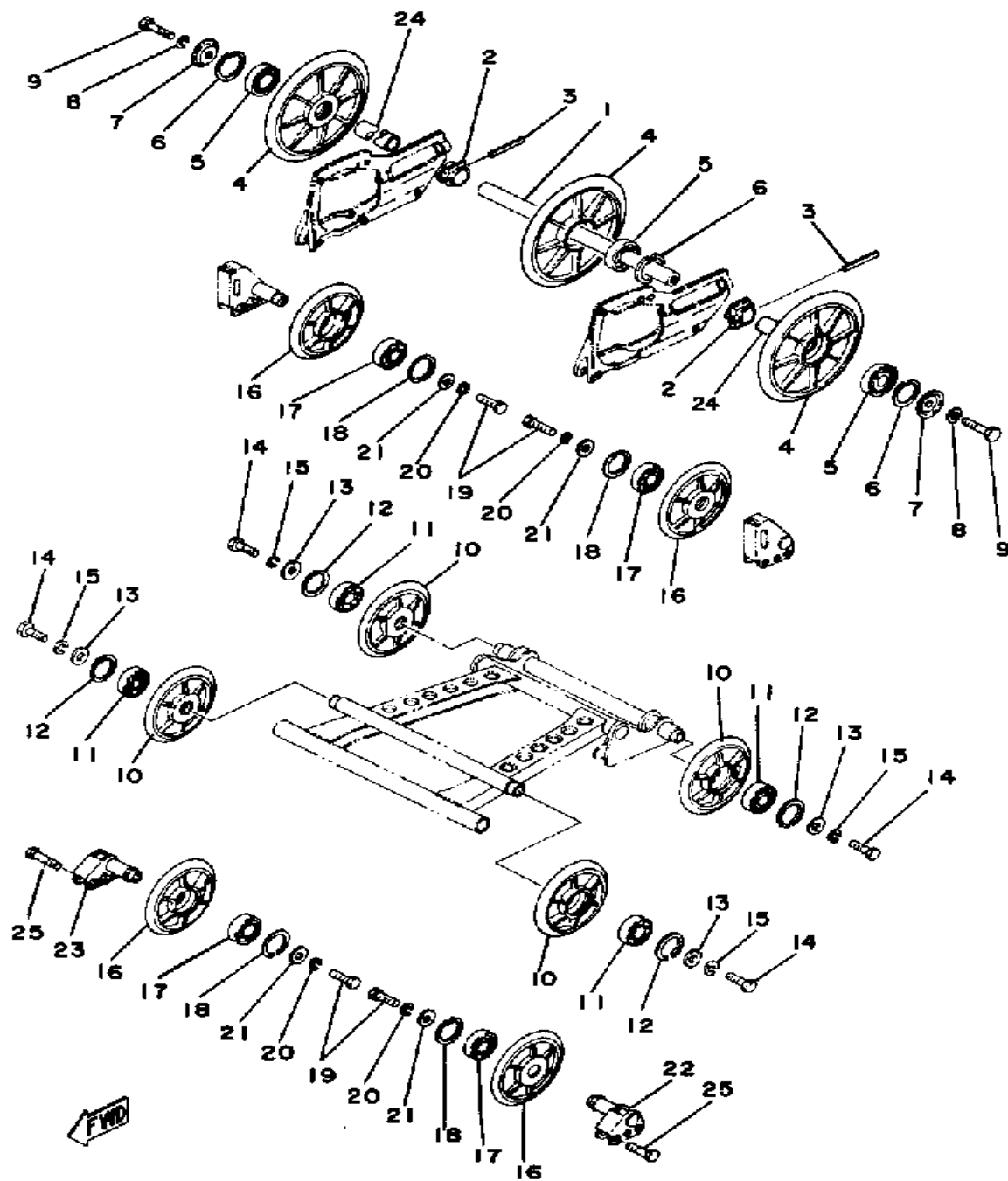
SPEEDOMETER GEAR UNIT



Ref. No.	Part Number	Description	Qty	Remarks
1	8E6-47711-10-00	HOUSING		
2	97313-06016-00	BOLT, HEXAGON		
3	810-47717-10-00	SHIM		
4	8A5-47731-00-00	GEAR, DRIVE		
5	853-47712-10-00	JOURNAL		
6	98701-04012-00	SCREW, FLAT HEAD		
7	93210-43141-00	O-RING		
8	8A5-47741-00-00	GEAR, DRIVEN		
9	810-47727-10-00	GASKET		
10	8E3-47721-10-00	COVER, HOUSING		
11	98580-05012-00	SCREW, PAN HEAD		

Property of www.SmallEngineDiscount.com - Not for Resale

REAR AXLE - WHEEL

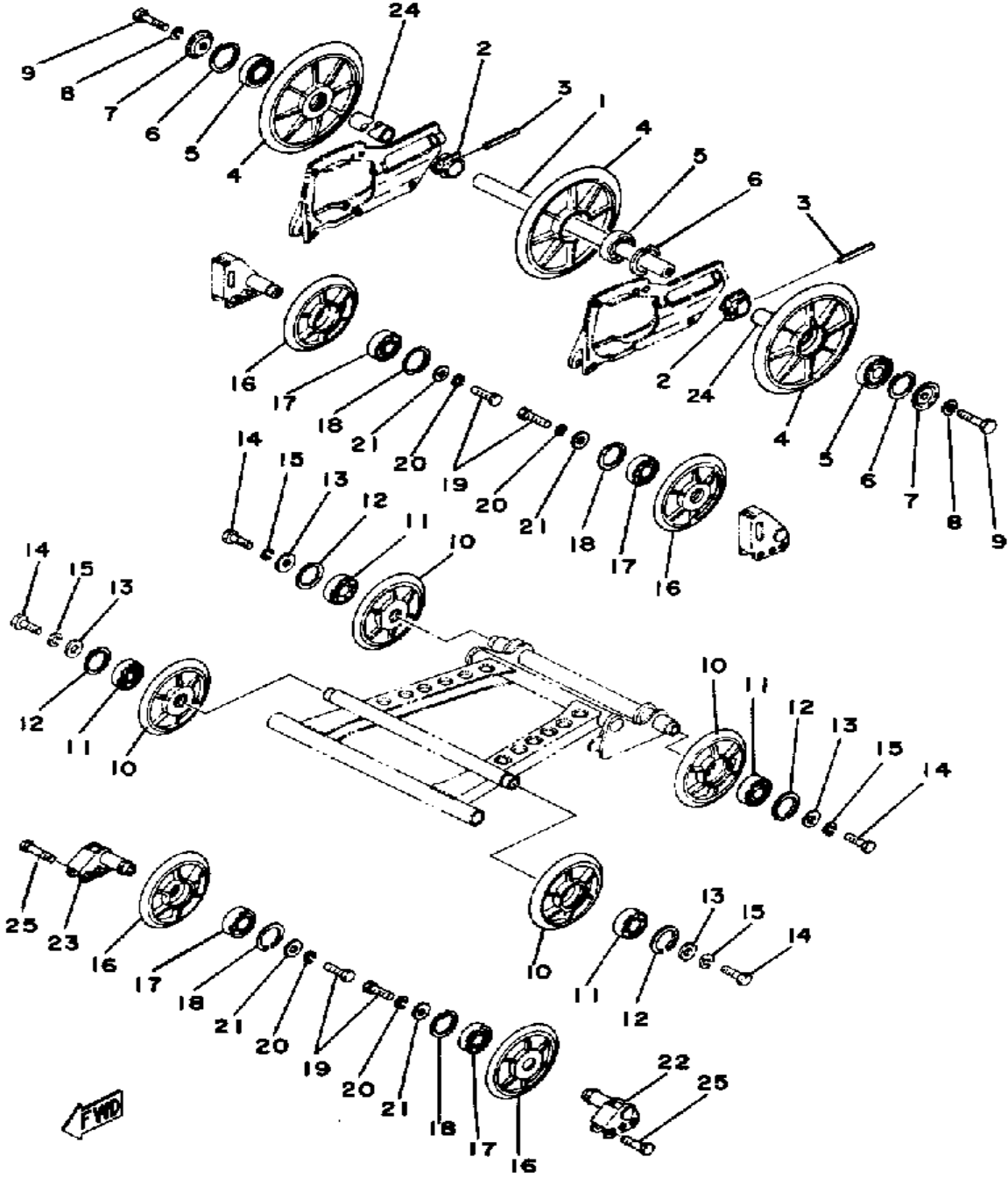


Ref. No.	Part Number	Description	Qty	Remarks
1	8A5-47521-00-00	AXLE, REAR		
2	885-47479-00-00	COLLAR 3		
3	91609-40040-00	PIN, SPRING		
4	8L4-47530-10-00	UNAVAILABLE IN PRICE BOOK	1	
5	93306-20417-00	BEARING (B62042RS)		
6	99009-47500-00	CIRCLIP		
7	90209-08124-00	WASHER, SPEC'L SHAP		
8	92990-08100-00	WASHER		
9	97013-08025-00	BOLT		
10	885-47320-01-00	SUSPENSION WHEEL COMP. .		
11	93306-00441-00	BEARING (89A) (B6004RS) ...		
12	99009-42500-00	CIRCLIP		
13	90209-06137-00	WASHER, SPEC'L SHAP		
14	90109-06464-00	BOLT		
15	92995-06100-00	WASHER, SPRING		
16	885-47320-01-00	SUSPENSION WHEEL COMP. .		
17	93306-00441-00	BEARING (89A) (B6004RS) ...		
18	99009-42500-00	CIRCLIP		
19	90109-06464-00	BOLT		
20	92995-06100-00	WASHER, SPRING		
21	90209-06137-00	WASHER, SPEC'L SHAP		
22	8L4-47418-00-00	BRACKET 4		
	90109-08559-00	BOLT		
	90201-08681-00	WASHER, PLATE		
	99999-02047-00	BRACKET 4 SET		
23	8L8-47419-00-00	BRACKET 7		
	90109-08559-00	BOLT		
	90201-08681-00	WASHER, PLATE		
	99009-42500-00	CIRCLIP		

CONTINUED ON NEXT FRAME ➤

Property of www.SmallEngineDiscount.com - Not for Resale

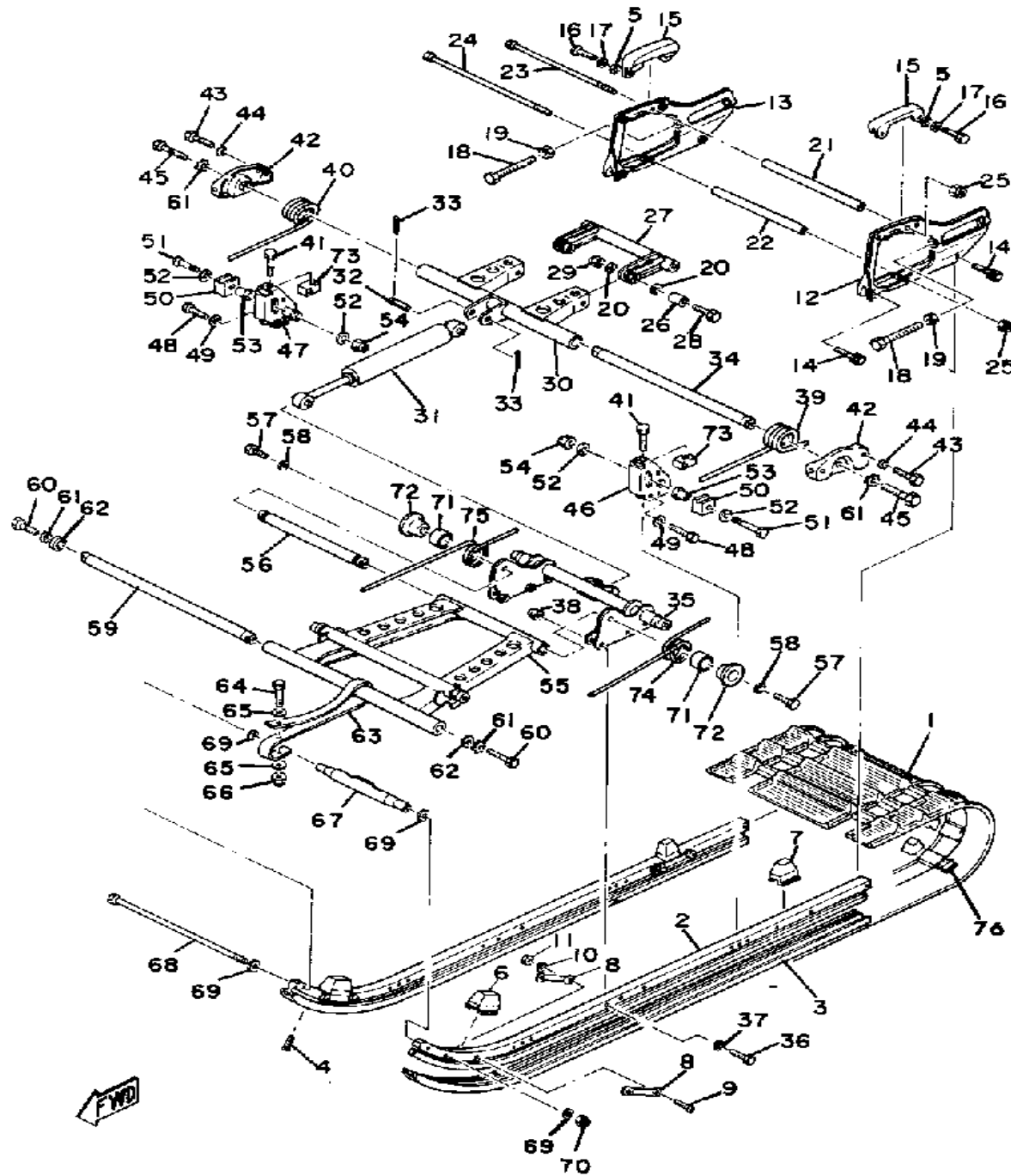
REAR AXLE - WHEEL



Ref. No.	Part Number	Description	Qty	Remarks
23	99999-02048-00	BRACKET 7 SET		
24	90387-20510-00	COLLAR		
25	90101-06348-00	BOLT		

Property of www.SmallEngineDiscount.com - Not for Resale

TRACK - SUSPENSION

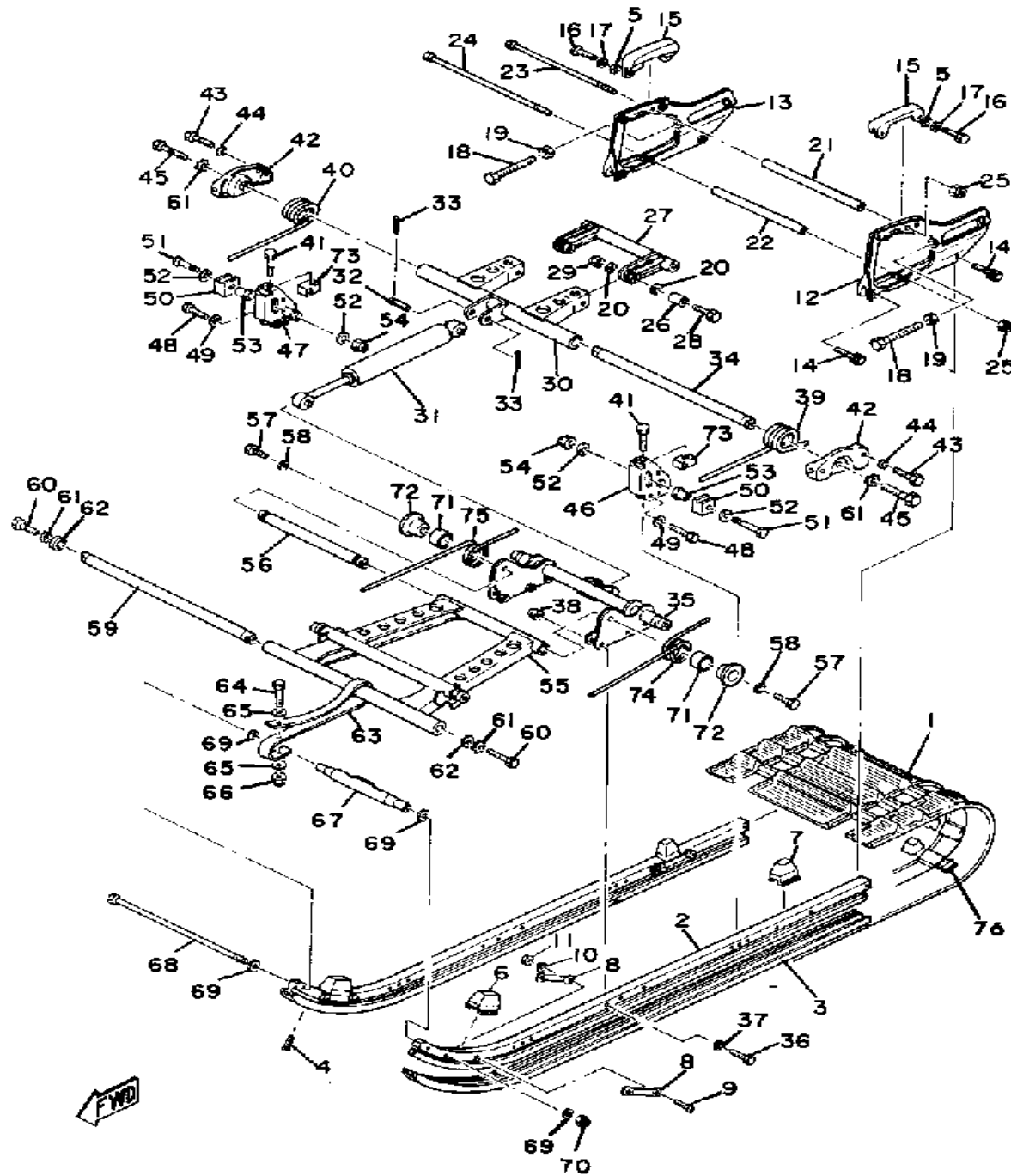


Ref. No.	Part Number	Description	Qty	Remarks
1	8A5-47110-01-00	TRACK ASSEMBLY		
2	8E7-47411-00-00	FRAME, SLIDING 1		
3	8N5-47421-00-XX	RUNNER, SLIDING 1 (8E7-47421-10)		
4	90151-06010-00	SCREW, COUNTERSUNK		
5	90201-065F3-00	WASHER, PLATE		
6	8E3-47457-00-00	DAMPER 2		
7	885-47457-00-00	DAMPER 2		
8	885-47458-01-00	PLATE, DAMPER		
9	98501-05030-00	SCREW, PAN HEAD		
10	92990-05100-00	WASHER, SPRING		
11	95380-05600-00	NUT		
12	8A5-47412-00-00	FRAME, SLIDING 2		
13	8A5-47413-00-00	FRAME, SLIDING 3		
14	90119-08008-00	BOLT, WITH WASHER		
15	8E3-47422-00-00	RUNNER, SLIDING 2		
16	97011-06025-00	BOLT (97001-06025)		
17	92995-06100-00	WASHER, SPRING		
18	90101-10293-00	BOLT		
19	95303-10700-00	NUT		
20	90201-08649-00	WASHER, PLATE		
21	90387-08497-00	COLLAR		
22	90387-08496-00	COLLAR		
23	97022-08250-00	BOLT		
24	90101-08374-00	BOLT		
25	95712-08300-00	NUT, LOCK		
26	90387-08508-00	COLLAR		
27	8A5-47417-00-00	BRACKET 3		
28	97313-08050-00	BOLT, HEXAGON (90101-08125)		

CONTINUED ON NEXT FRAME ►

Property of www.SmallEngineDiscount.com - Not for Resale

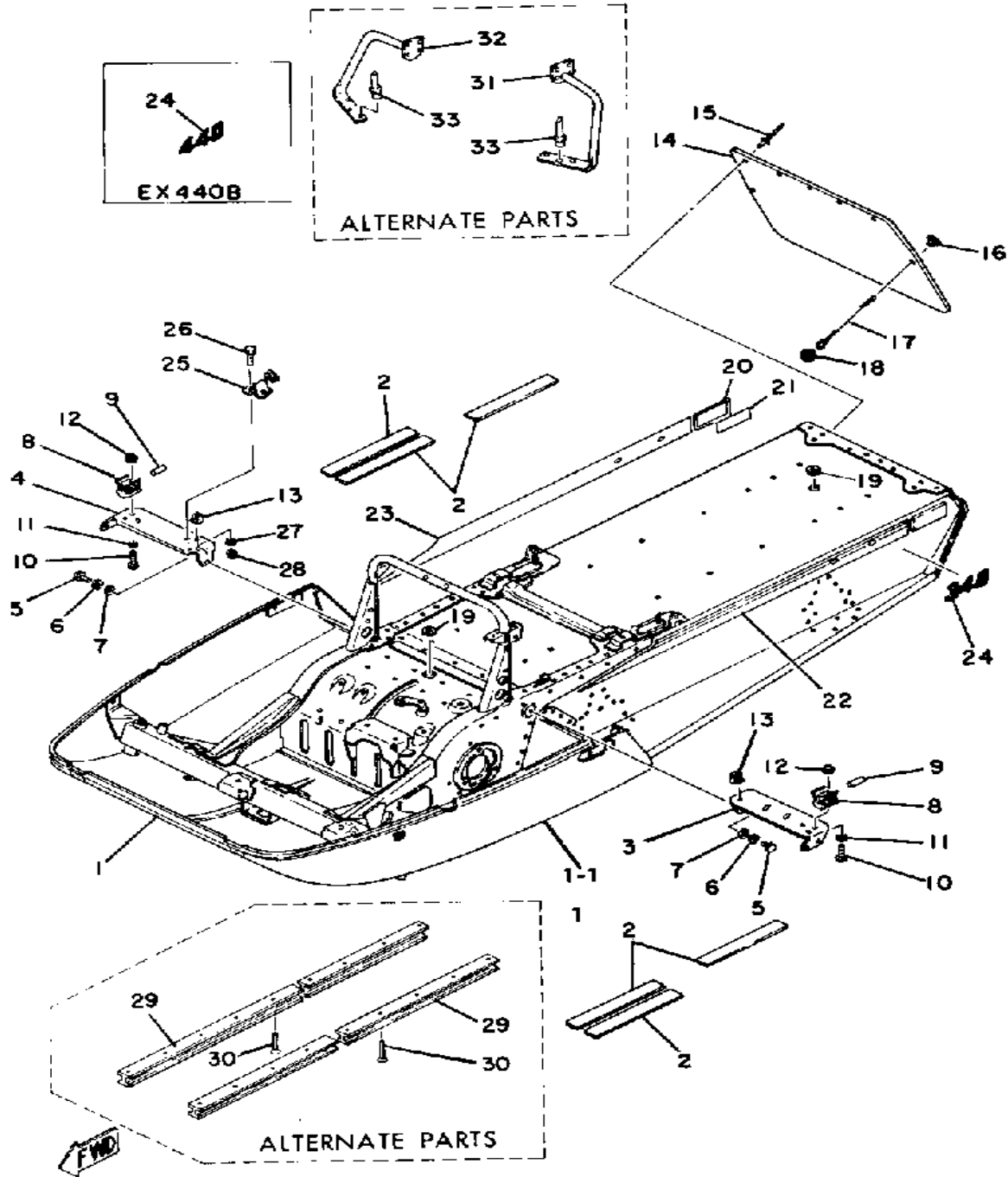
TRACK - SUSPENSION



Ref. No.	Part Number	Description	Qty	Remarks
29	95712-08300-00	NUT, LOCK		
30	8A5-47332-00-00	ARM, PIVOT 2		
31	8E7-47480-00-00	SHOCK ABSORBER		
32	90240-12115-00	PIN, CLEVIS		
33	91401-30030-00	PIN, COTTER		
34	8A5-47475-02-00	SHAFT 2		
35	8R0-47416-00-00	BRACKET 2 (8A5-47416-00)		
36	90101-06348-00	BOLT		
37	92995-06100-00	WASHER, SPRING		
38	95701-06300-00	NUT, NYLON		
59	8A5-47465-02-00	SHAFT 1		
60	97013-10030-00	BOLT (8J7) (97303-10030)		
61	92901-10400-00	WASHER, EX.TOOTH		
62	885-47341-00-00	SPACER		
63	8E3-47495-00-00	STOPPER 1		
64	97013-06035-00	BOLT		
65	90201-06407-00	WASHER, PLATE (90201-06747-00)		
66	95701-06300-00	NUT, NYLON		
67	899-47415-00-00	BRACKET 1	1	
68	899-47415-00-00	BRACKET 1	1	
69	92990-08200-00	WASHER, PLAIN	4	
70	95712-08300-00	NUT, LOCK	1	
71	90387-30570-00	COLLAR	2	
72	8E7-47446-00-00	HOOK 1	2	
73	8G6-47446-00-00	HOOK 1	2	
74	90508-65329-00	SPRING, TORSION	1	
75	90508-65330-00	SPRING, TORSION	1	
76	8A5-47115-00-00	METAL, SLIDE	1	

Property of www.SmallEngineDiscount.com - Not for Resale

FRAME

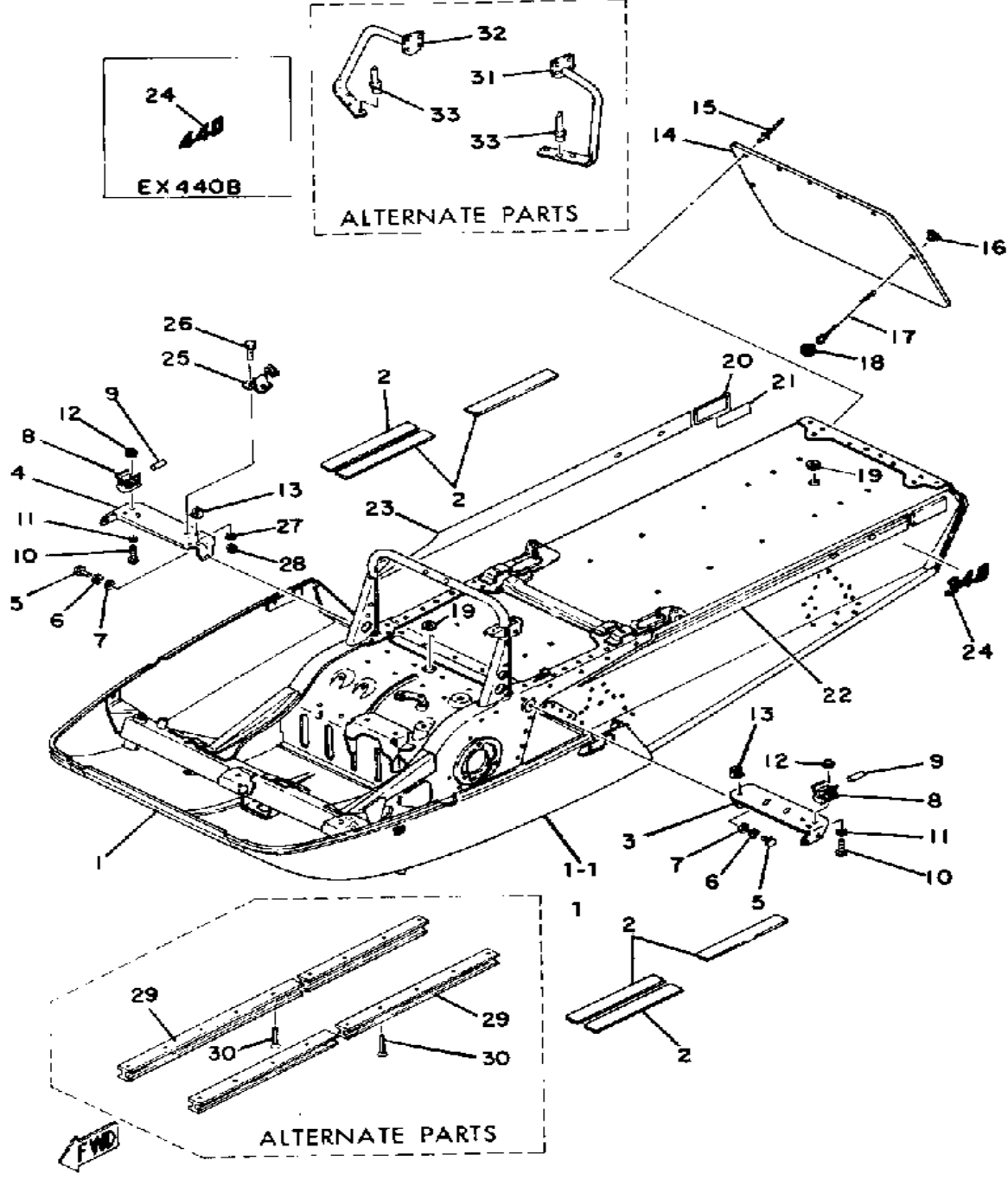


Ref. No.	Part Number	Description	Qty	Remarks
1	(8G6-21910-00-33)	FRAME	1	
2	8G6-27413-00-00	COVER, FOOTRESTOPTIONAL PARTS	6	
3	(878-23883-00-00)	BRACKET 3	1	
4	8A5-23884-00-00	BRACKET 4	2	
5	97313-08018-00	BOLT, HEXAGON (97301-08016)	2	
6	92990-08100-00	WASHER	2	
7	92901-08600-00	WASHER	2	
8	878-77137-01-00	CLAMP 3	2	
9	878-77188-00-00	STOPPER	2	
10	97001-06008-00	BOLT, HEXAGON	2	
11	90201-06407-00	WASHER, PLATE (90201-06747-00)	2	
12	95701-06300-00	NUT, NYLON	2	
13	90464-04010-00	CLAMP	2	
14	8V8-77595-00-00	FLAP	1	
15	90267-48086-00	RIVET, BLIND	5	
16	90338-10024-00	PLUG, SPEC'L SHAPE	2	
17	878-77596-00-00	STOPPER, FLAP	2	
18	(90468-16059-00)	CLIP	2	
19	810-77716-00-00	ORNAMENT, INSTRUMENT PANEL 2	2	
20	81G-85130-00-00	REAR REFLECTOR ASSEMBLY	2	
21	878-85133-00-00	TAPE, REFLECTOR	2	
22	(8G6-77351-00-00)	EMBLEM 1	1	
23	(8G6-77352-00-00)	EMBLEM 2	1	
24	(8G6-77353-00-00)	EMBLEM 3	2	
	(8G7-77353-00-00)	EMBLEM 3	2	
25	8A5-23874-00-00	HOLDER, WIRE	1	
26	97313-06016-00	BOLT, HEXAGON	2	

CONTINUED ON NEXT FRAME ➤

Property of www.SmallEngineDiscount.com - Not for Resale

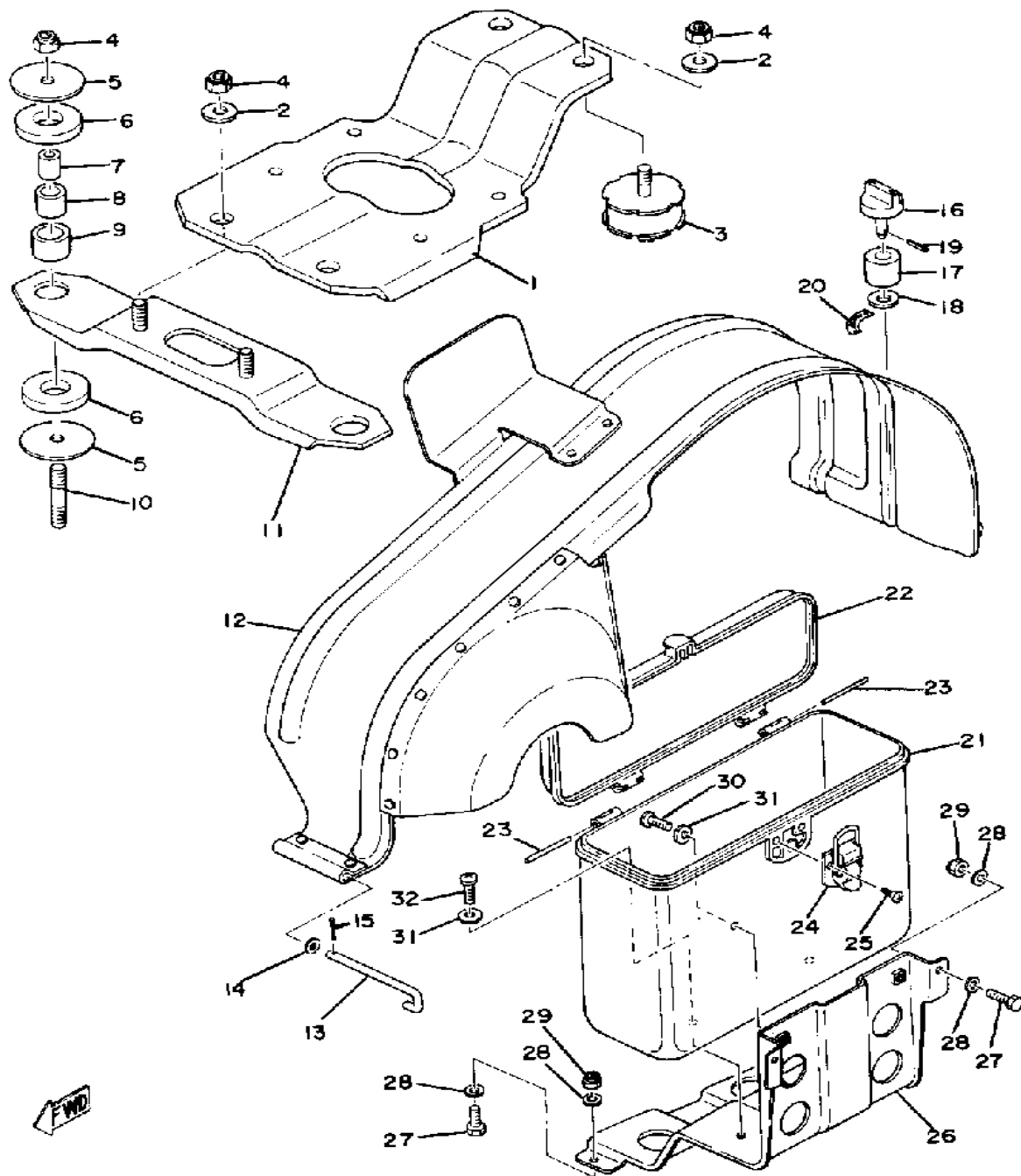
FRAME



Ref. No.	Part Number	Description	Qty	Remarks
27	92995-06100-00	WASHER, SPRING	2	
28	95701-06300-00	NUT, NYLON	2	
29	888-21978-00-00	PROTECTOR, FRAME	2	
30	99100-40114-00	RIVET, FLAT HEAD	22	
31	888-21926-00-00	RNFCMNT, FTRST 1FOOTREST 1	1	
32	888-21936-00-00	RNFCMNT, FTRST 2FOOTREST 2	1	
33	90267-48053-00	RIVET, BLIND	14	
1-1	878-21912-00-00	PANEL, SUB FRAME 1 (8E7-21912-00)	1	
1-2	90267-48053-00	RIVET, BLIND	39	
1-3	90201-04325-00	WASHER, PLATE	12	

Property of www.SmallEngineDiscount.com - Not for Resale

ENGINE BRACKET - LUGGAGE BOX

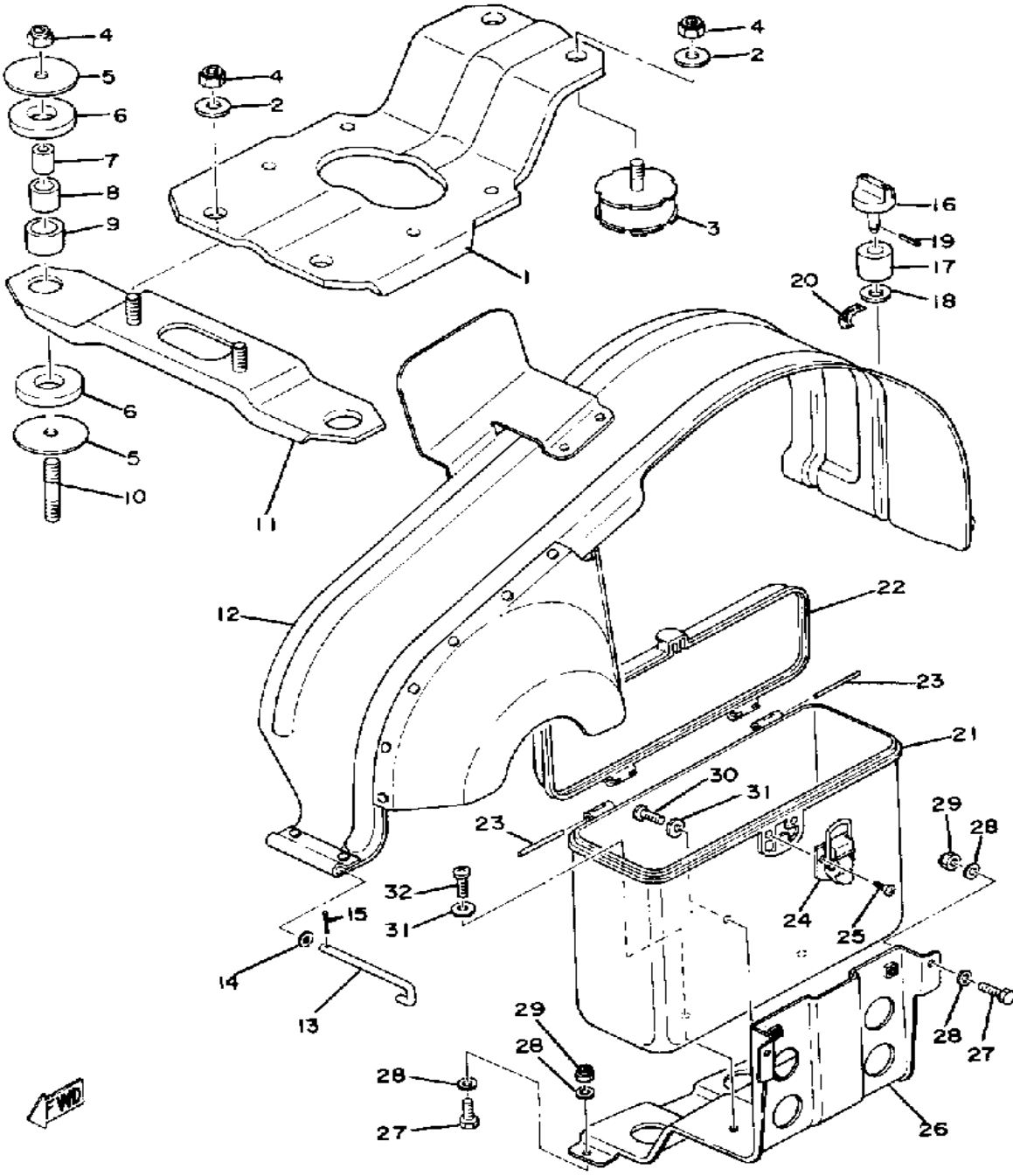


Ref. No.	Part Number	Description	Qty	Remarks
1	8A5-21411-00-00	BRACKET, ENGINE 1	1	
2	90201-10321-00	WASHER, PLATE	4	
3	857-21486-00-00	DAMPER 2	2	
4	90185-10017-00	NUT, SELF-LOCKING	6	
5	90201-10151-00	WASHER, PLATE	4	
6	8A5-21485-00-00	DAMPER, RUBBER 1	4	
7	90387-10514-00	COLLAR	2	
8	90385-15025-00	BUSH, SPEC'L RUBBER	2	
9	90387-21515-00	COLLAR	2	
10	95611-10345-00	BOLT, STUD	2	
11	8A5-21419-00-00	BRACKET, ENGINE 2	1	
12	8E7-77311-00-00	GUARD, DRIVE	1	
13	91701-06082-00	PIN, CLEVIS	1	
14	92901-06600-00	WASHER	1	
15	91490-20020-00	PIN, COTTER	1	
16	8A5-77324-00-00	KNOB	2	
17	90385-08009-00	BUSH, SPEC'L RUBBER	2	
18	90201-08104-00	WASHER, PLATE	2	
19	91609-40024-00	PIN, SPRING (91609-40025-00)	2	
20	ø82-97736-60-0-	UNAVAILABLE IN PRICE BOOK	2	
21	ø8E-77739-10-0-	UNAVAILABLE IN PRICE BOOK	1	
22	8E7-77392-00-00	COVER, LUGGAGE BOX	1	
23	90249-03021-00	PIN, SPEC'L SHAPE	2	
24	8E7-77340-00-00	LUGGE BOX LTCH ASSEMBLY	1	
25	98702-03008-00	SCREW, FLAT HEAD	3	
26	(8E7-77397-00-00)	STAY 1	1	
27	97313-06016-00	BOLT, HEXAGON	5	
28	92901-06600-00	WASHER	10	
29	95701-06300-00	NUT, NYLON	5	

CONTINUED ON NEXT FRAME ➤

Property of www.SmallEngineDiscount.com - Not for Resale

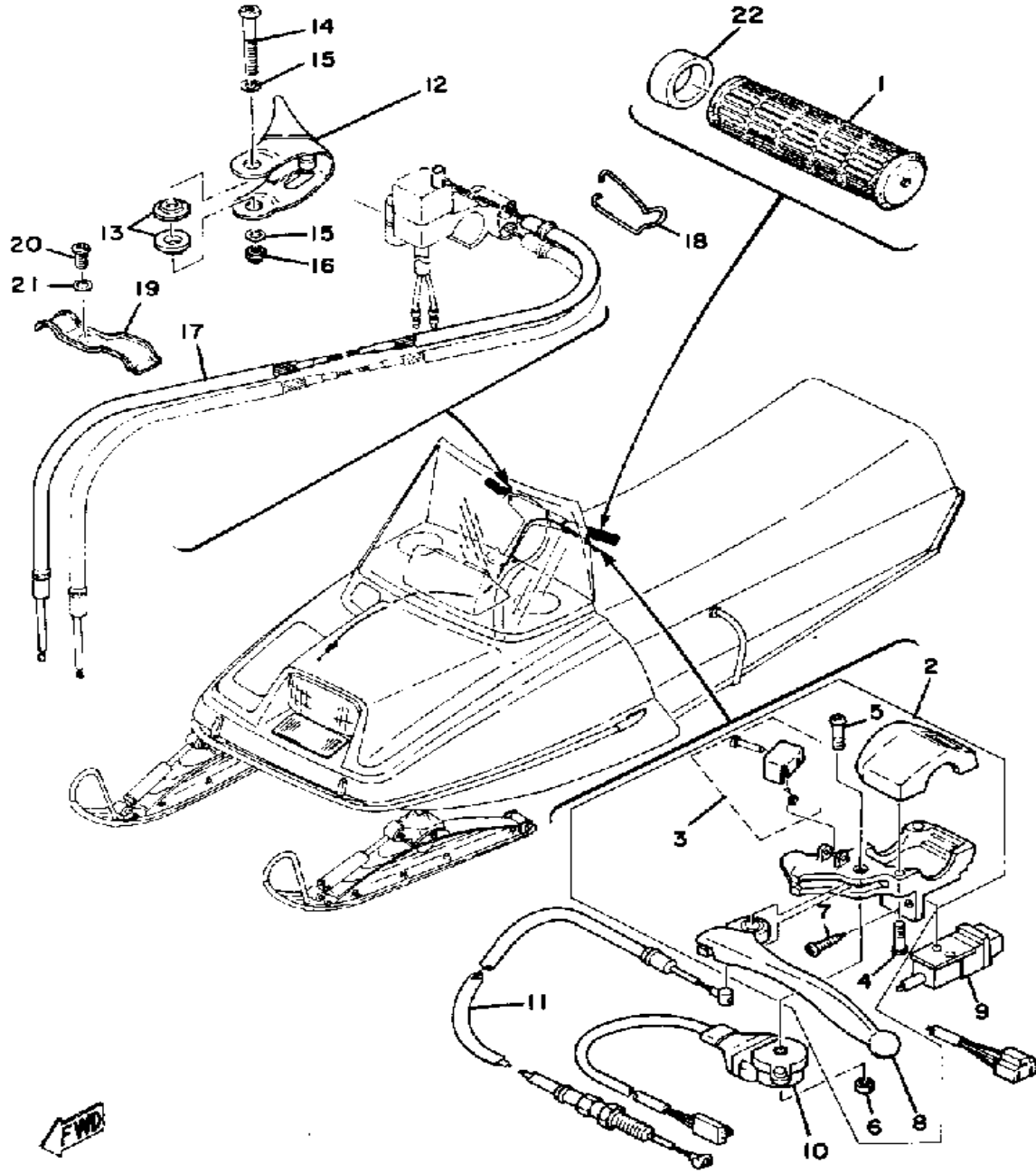
ENGINE BRACKET - LUGGAGE BOX



Ref. No.	Part Number	Description	Qty	Remarks
30	98903-06012-00	SCREW, BIND	2	
31	90201-06407-00	WASHER, PLATE (90201-06747-00)	4	
32	97313-06016-00	BOLT, HEXAGON	2	

Property of www.SmallEngineDiscount.com - Not for Resale

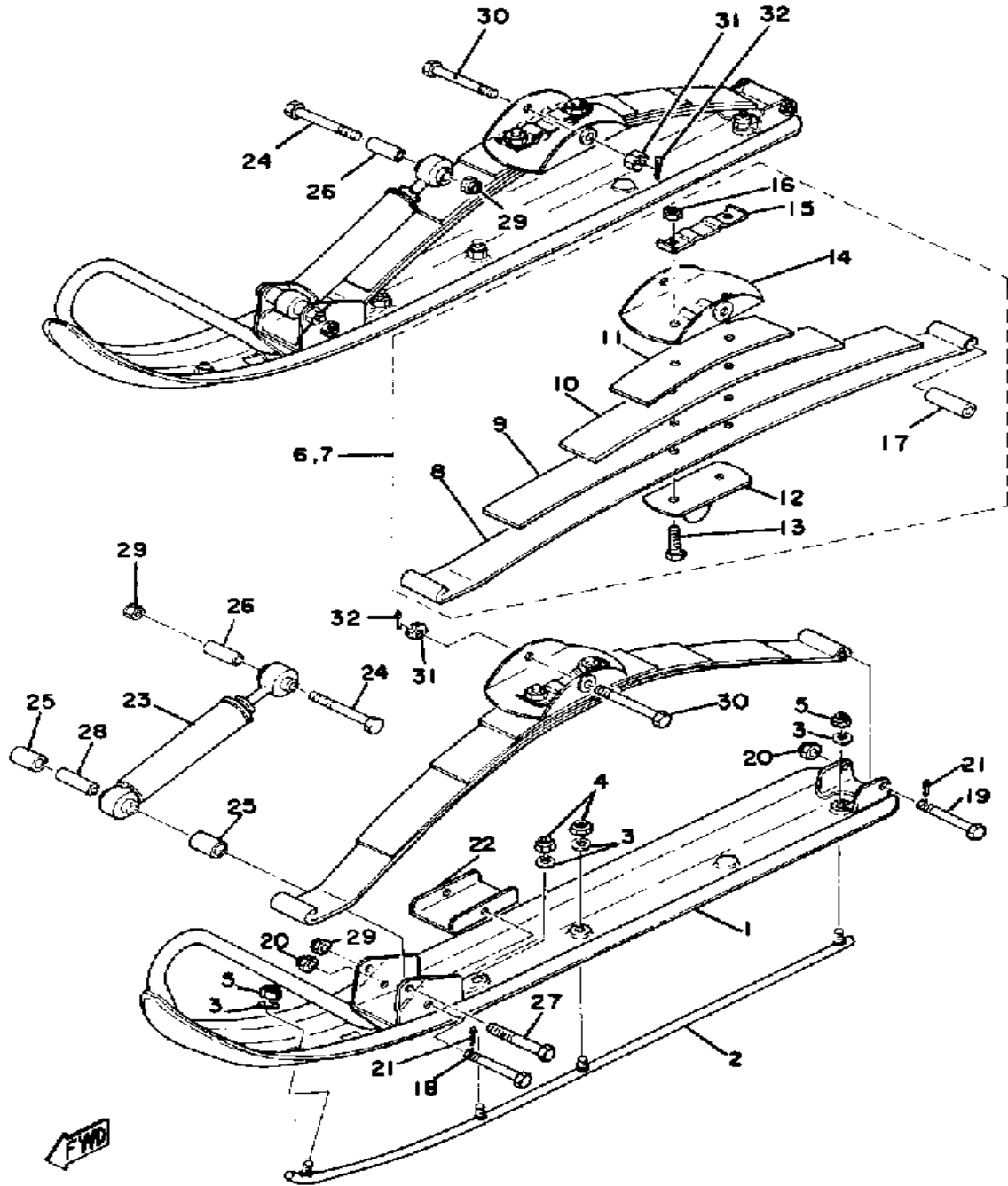
GRIP - WIRING



Ref. No.	Part Number	Description	Qty	Remarks
1	801-26241-01-00	GRIP	2	
2	8E3-W8291-01-00	LEVER HOLDER ASSEMBLY (LEFT)	1	
3	8E3-83930-00-00	. LEVER LOCK ASSEMBLY ...	1	
4	98501-05018-00	. SCREW, PAN HEAD	2	
5	98501-05035-00	. SCREW, PAN HEAD	1	
6	95701-05063-00	. UNAVAILABLE IN PRICE BOOK (90185-05063)	1	
7	97780-30312-00	. SCREW, tapping	1	
8	803-83912-00-38	. LEVER 1	1	
9	8H8-83950-01-00	BEAM SWITCH ASSEMBLY (8K4-83950-01-00)	1	
10	8R4-82530-00-00	STOP SWITCH ASSEMBLY ...	1	
11	(8G6-26340-00-00)	CABLE, BRAKE	1	
12	8G8-42138-00-00	. LEVER, THROTTLE	1	
	90387-06681-00	. COLLAR	2	
	98580-06550-00	. SCREW PAN HEAD (92503-06050)	1	
	99999-01028-00	THROTTLE LEVER	1	
13	90387-062M9-00	COLLAR	2	
14	98580-06545-00	SCREW PAN HEAD (92503-06045)	1	
15	92901-06600-00	WASHER	2	
16	95701-06300-00	NUT, NYLON	1	
17	8G6-26311-00-00	CABLE, THROTTLE 1	1	
18	90468-10017-00	CLIP (821-26391-00)	1	
19	8G6-26393-00-00	HOLDER	1	
20	98580-05010-00	SCREW, PAN HEAD	1	
21	92990-05100-00	WASHER, SPRING	1	
22	90387-22647-00	COLLAR	1	

Property of www.SmallEngineDiscount.com - Not for Resale

SKI

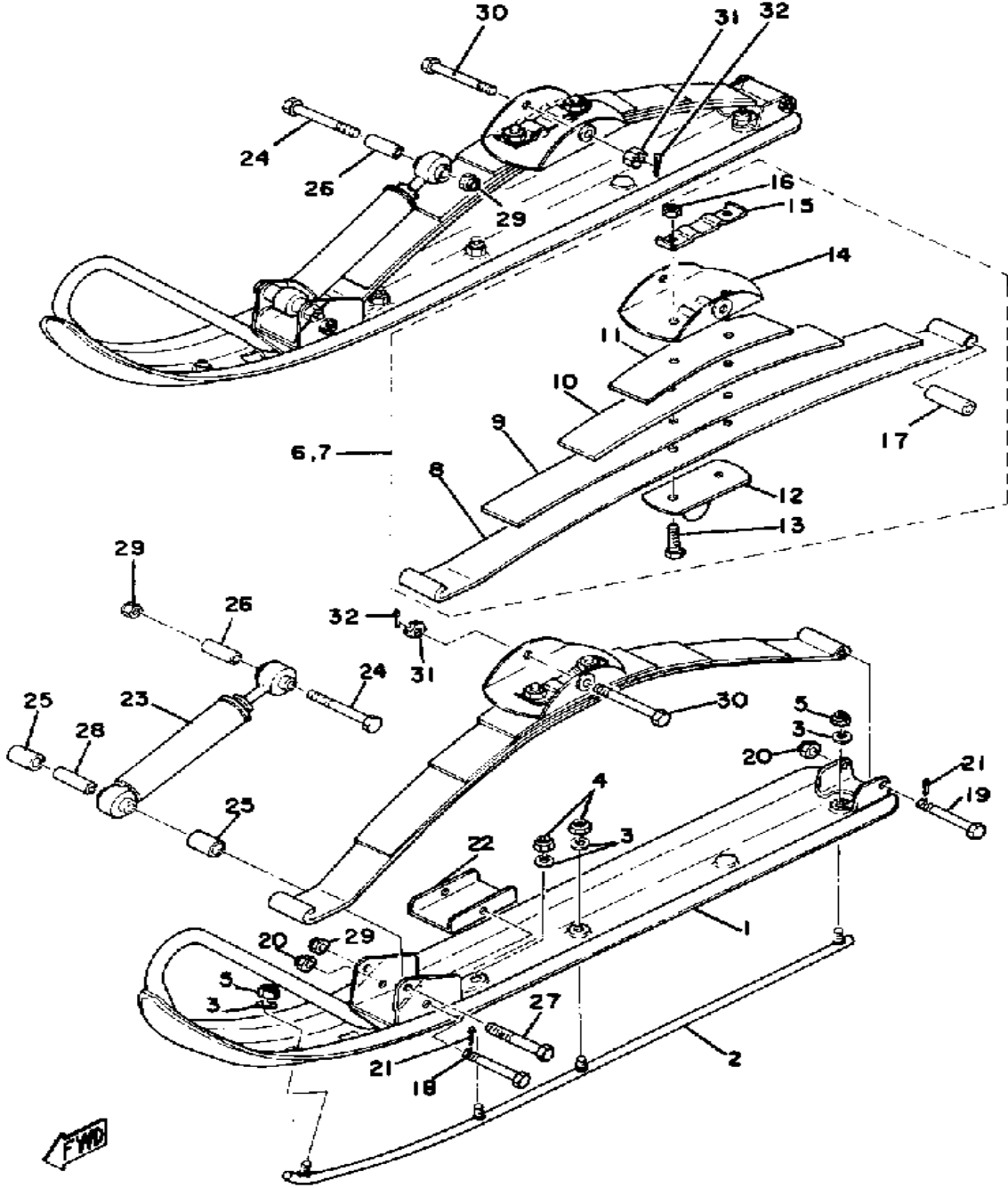


Ref. No.	Part Number	Description	Qty	Remarks
1	8E3-23710-09-00	SKI COMP. 1	2	
2	8E3-23731-00-XX	RUNNER 1 (8E3-23731-01-00)	2	
3	92901-08600-00	WASHER	8	
4	90185-08055-00	NUT, SELF-LOCKING	4	
5	95712-08300-00	NUT, LOCK	4	
6	8M8-23760-00-00	SPRING ASSEMBLY 1	1	
7	8M8-23770-00-00	SPRING ASSEMBLY 2	1	
8	888-23761-00-00	. LEAF 1	2	
9	865-23762-00-00	. LEAF 2	2	
10	888-23763-00-00	. LEAF 3	2	
11	865-23771-00-00	. LEAF 5	2	
12	878-23768-00-00	. SEAT, SPRING 1	2	
13	90101-105E1-00	. UNAVAILABLE IN PRICE BOOK (90101-10275)	4	
14	8G6-23766-00-00	. SADDLE 1	2	
15	90215-10155-00	. WASHER, LOCK	2	
16	95701-10500-00	. NUT, FLANGE (95702-10500)	4	
17	90387-08478-00	. COLLAR	2	
18	90102-08028-00	BOLT, WITH HOLE	2	
19	90102-08027-00	BOLT, WITH HOLE	2	
20	95712-08300-00	NUT, LOCK	4	
21	91490-20020-00	PIN, COTTER	4	
22	888-23735-00-00	PLATE, WEAR 1	2	
23	8A5-23350-01-00	SHOCK ABSORBER ASSEMBLY	2	
24	97313-08055-00	BOLT, HEXAGON	2	
25	90387-12484-00	COLLAR	4	
26	90387-08262-00	COLLAR	2	
27	97013-08075-00	BOLT	2	

CONTINUED ON NEXT FRAME ►

Property of www.SmallEngineDiscount.com - Not for Resale

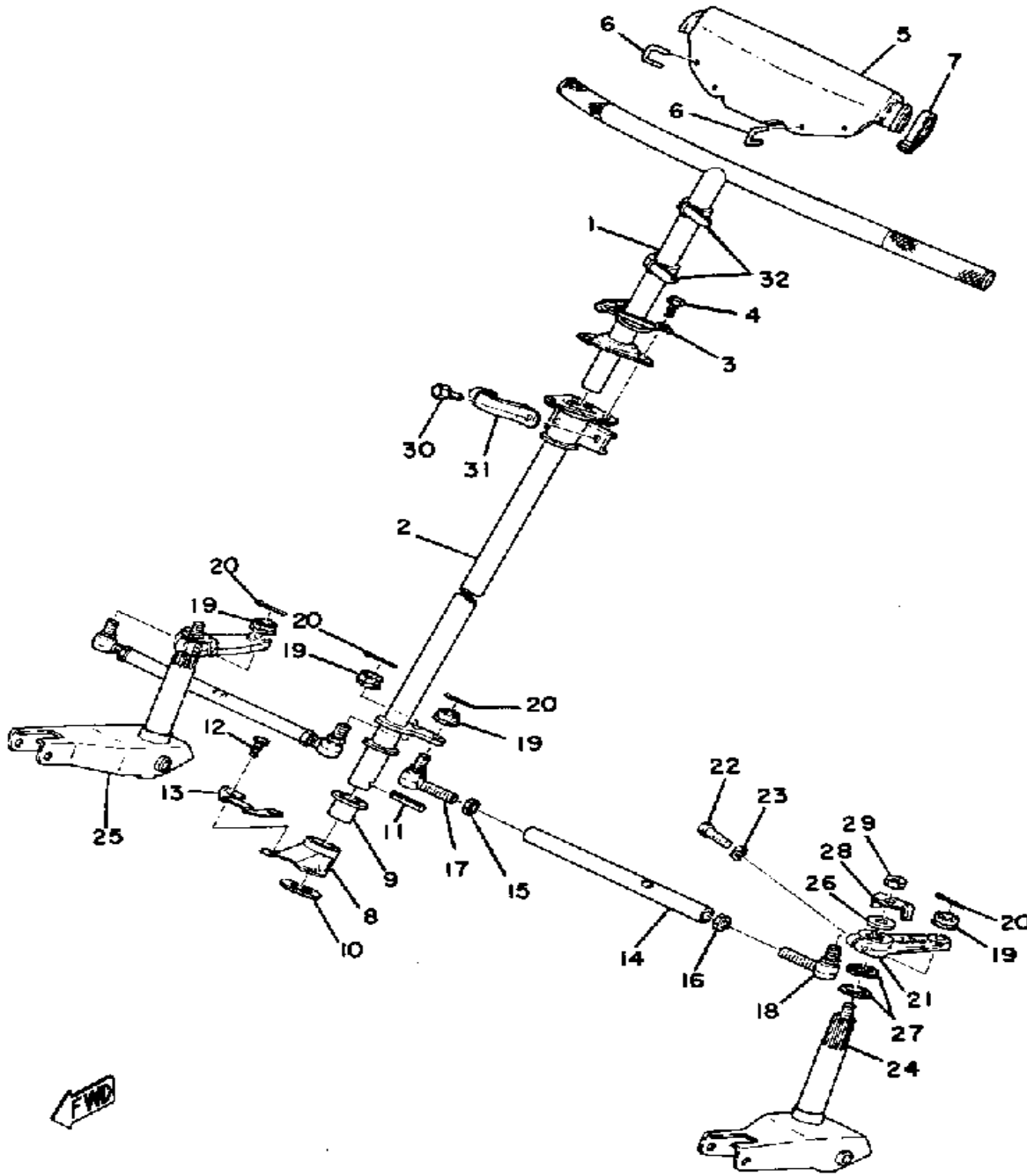
SKI



Ref. No.	Part Number	Description	Qty	Remarks
28	90387-08224-00	COLLAR	2	
29	95712-08300-00	NUT, LOCK	4	
30	90102-12030-00	BOLT, WITH HOLE	2	
31	90171-12040-00	NUT, CASTLE	2	
32	91401-30030-00	PIN, COTTER	2	

Property of www.SmallEngineDiscount.com - Not for Resale

STEERING

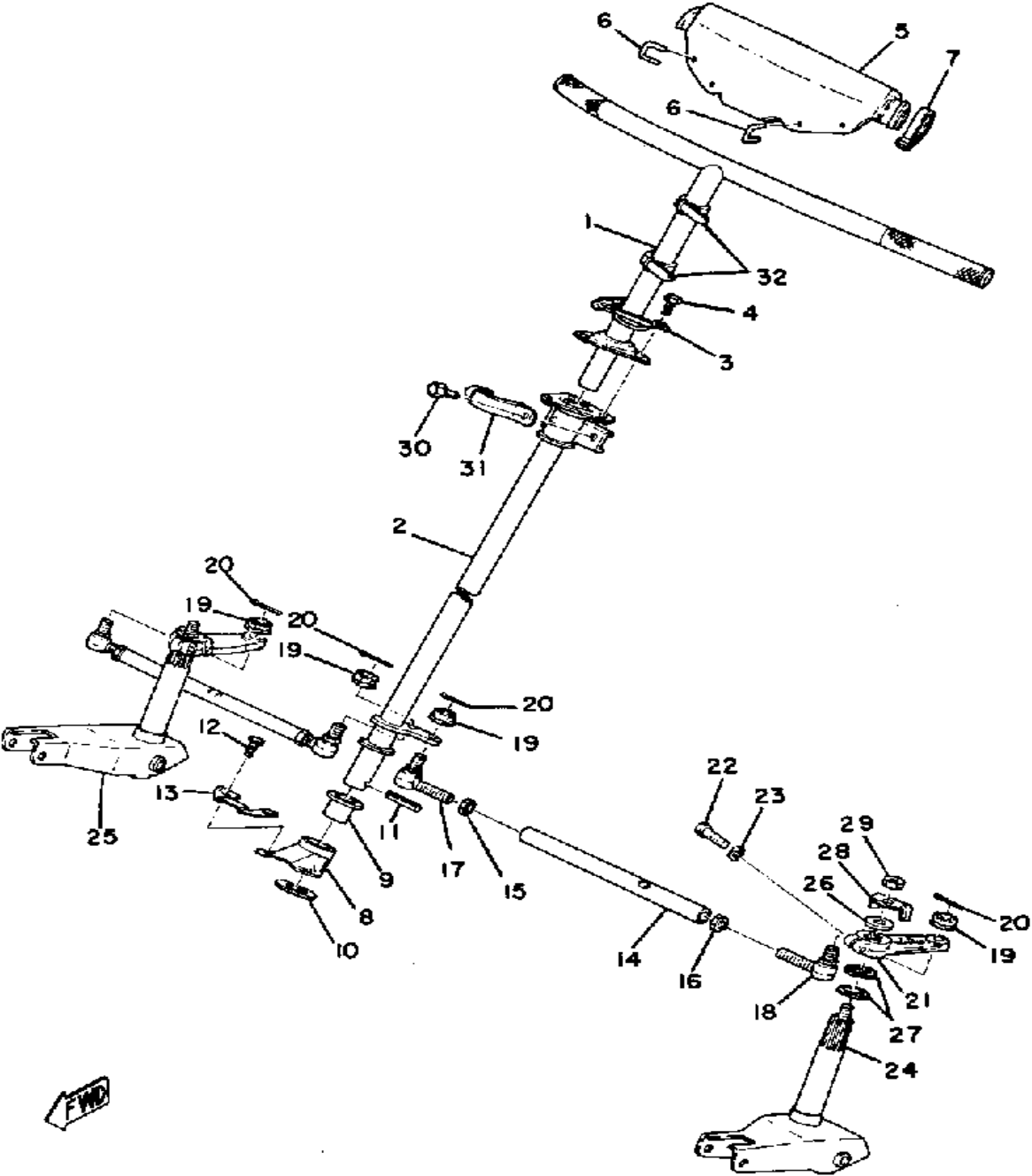


Ref. No.	Part Number	Description	Qty	Remarks
1	8E7-23811-00-00	COLUMN, STEERING	1	
2	8E7-23813-00-00	COLUMN, STEERING 2	1	
3	8A5-23894-00-00	WASHER, LOCK 1	1	
4	97011-06016-00	BOLT	3	
5	878-23815-01-00	PAD, STEERING (878-23815-00)	1	
6	(90465-05024-00)	CLAMP	4	
7	437-83936-01-00	BAND, SWITCH CORD	2	
8	8E7-23868-00-00	BRACKET, STRG LOWERLOWER	1	
9	8E7-23875-00-00	BEARING, STRG LOWERLOWER	1	
10	(856-23812-00-00)	BEARING, STEERING	1	
11	91609-60040-00	PIN, SPRING	1	
12	97313-08018-00	BOLT, HEXAGON (97301-08016)	2	
13	(8E7-23895-00-00)	WASHER, LOCK 2	1	
14	888-23821-00-00	ROD, STEERING RELAY	2	
15	95303-10700-00	NUT	2	
16	90170-10186-00	NUT	2	
17	888-23841-91-00	JOINT, UNIVERSAL 1	2	
18	888-23845-91-00	JOINT, UNIVERSAL 2	2	
19	90171-10018-00	NUT, CASTLE	4	
20	91401-25030-00	PIN, COTTER	4	
21	8G6-23851-00-00	ARM, OUTSIDE 1	2	
22	97313-08030-00	BOLT, HEXAGON	2	
23	92990-08100-00	WASHER	2	
24	8G6-23853-00-00	COLUMN, SKI 1	1	
25	8G6-23854-00-00	COLUMN, SKI 2	1	
26	90201-100A1-00	WASHER, PLATE	2	
27	90206-20037-00	WASHER, WAVE	4	

CONTINUED ON NEXT FRAME ►

Property of www.SmallEngineDiscount.com - Not for Resale

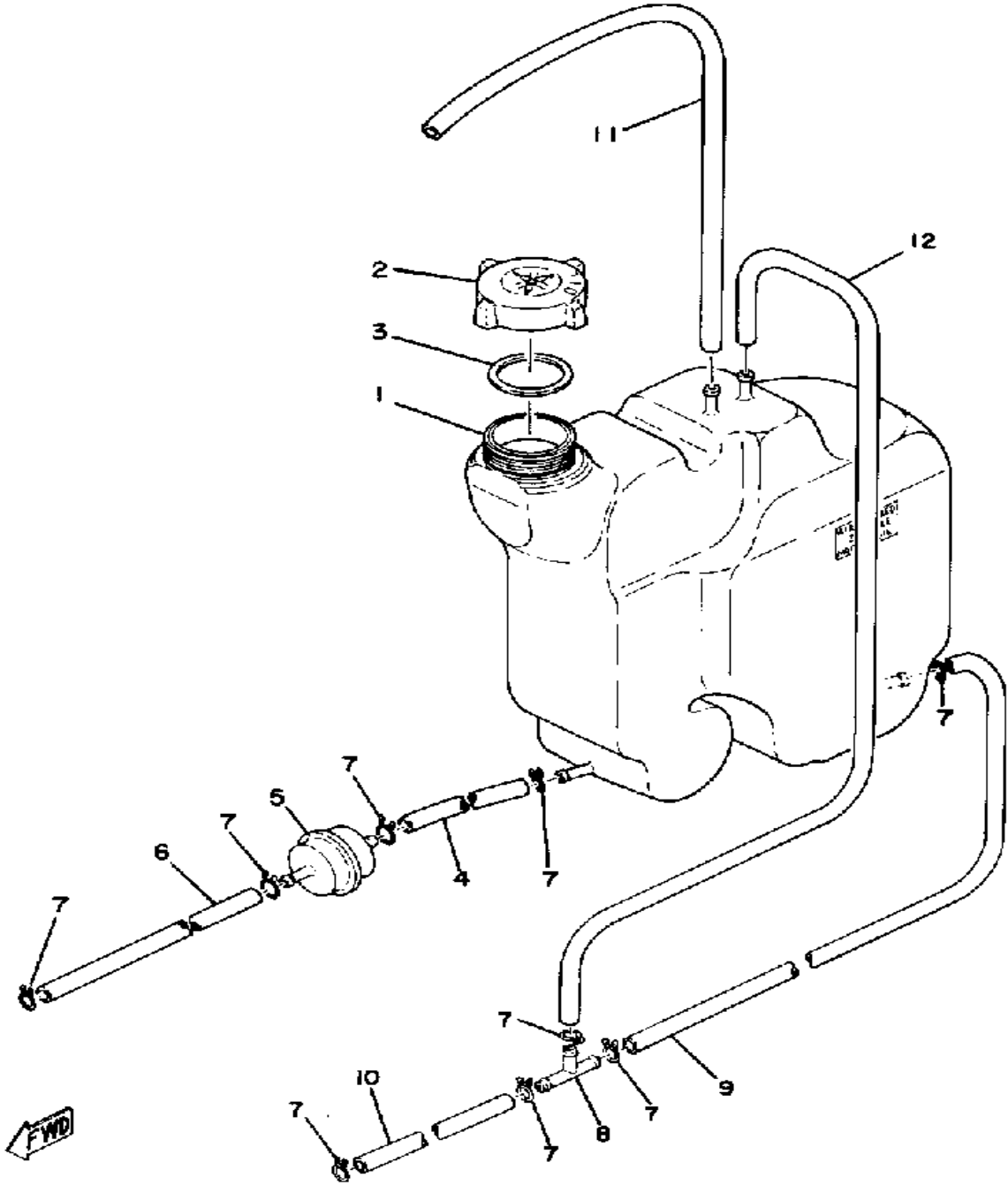
STEERING



Ref. No.	Part Number	Description	Qty	Remarks
28	90215-10096-00	WASHER, LOCK	2	
29	95303-10600-00	NUT (95301-10600)	2	
30	97011-06016-00	BOLT	2	
31	90215-06054-00	WASHER, LOCK	1	
32	341-26397-01-00	BAND	2	

Property of www.SmallEngineDiscount.com - Not for Resale

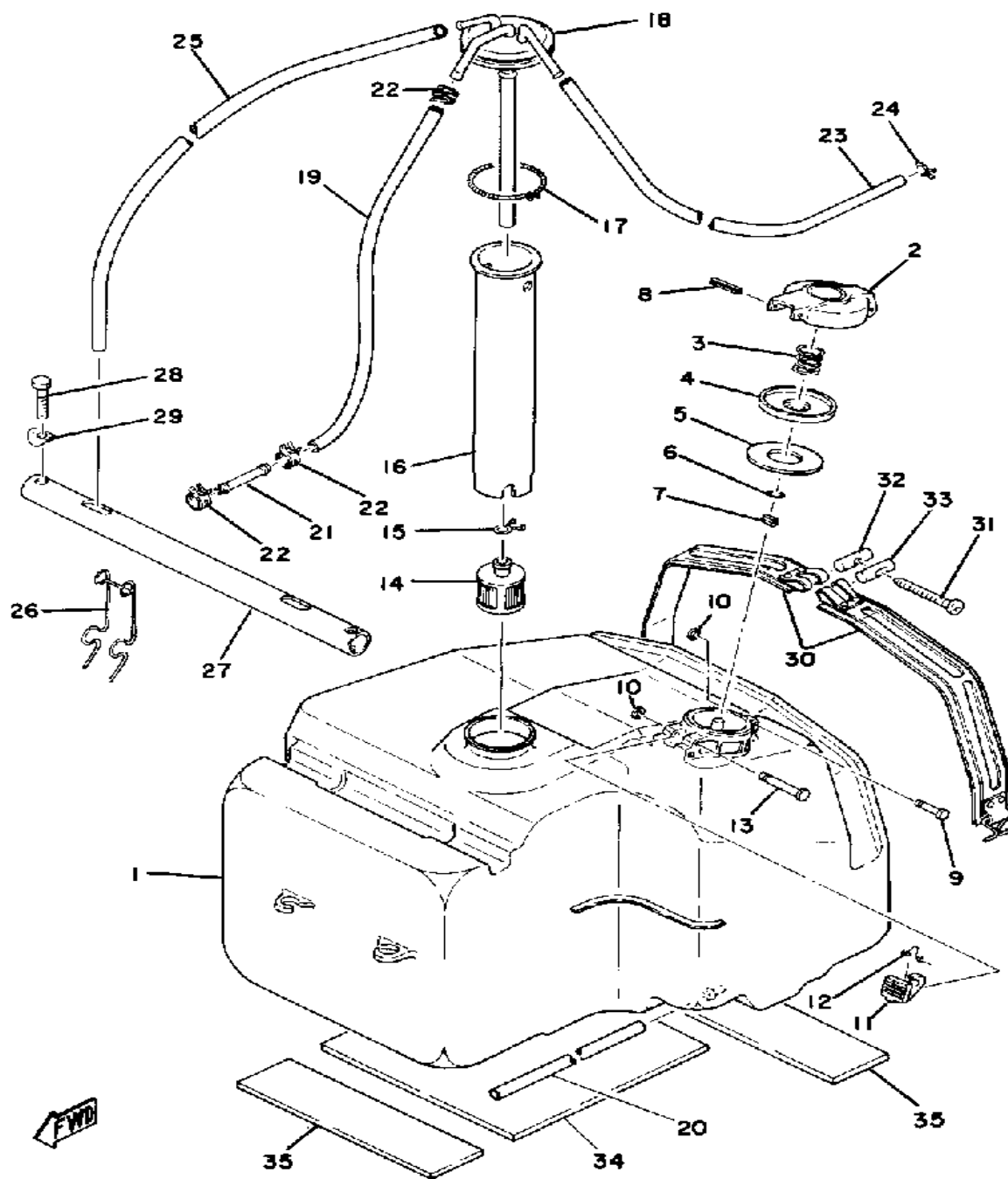
OIL TANK



Ref. No.	Part Number	Description	Qty	Remarks
1	878-21751-01-00	TANK, OIL	1	
2	863-21771-00-00	BODY, CAP	1	
3	90430-31003-00	GASKET	1	
4	90446-09067-00	HOSE	1	
5	J10-13410-00-00	STRAINER HSNG ASSEMBLY .	1	
6	90446-09065-00	HOSE	1	
7	90467-09005-00	CLIP, SCISSOR	9	
8	801-24376-00-00	PIPE, JOINT 1	1	
9	90446-09008-00	UNAVAILABLE IN PRICE BOOK	1	
10	90446-09062-00	HOSE	1	
11	91A20-05036-00	TUBE, FLEXIBLE	1	
12	90446-09060-00	HOSE	1	

Property of www.SmallEngineDiscount.com - Not for Resale

FUEL TANK

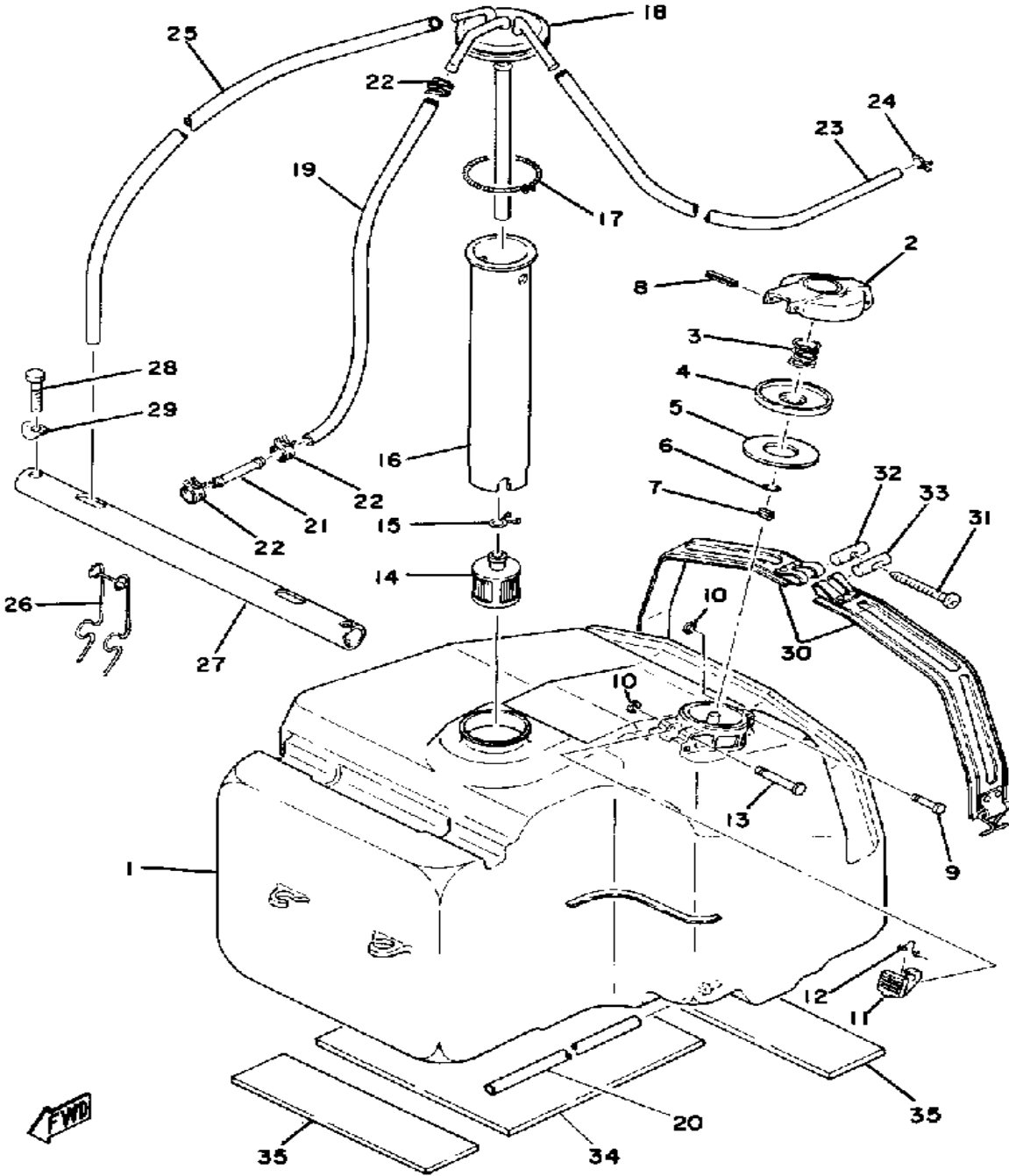


Ref. No.	Part Number	Description	Qty	Remarks
1	8G6-24111-01-00	FUEL TANK	1	
2	813-24611-01-00	BODY, CAP	1	
3	90501-20130-00	SPRING, COMPRESSION	1	
4	813-24613-01-00	DISC, CAP	1	
5	256-24612-00-00	GASKET, CAP	1	
6	93210-04122-00	O-RING	1	
7	91609-30016-00	PIN, SPRING	1	
8	91609-25032-00	PIN, SPRING	1	
9	90249-03016-00	PIN, SPEC'L SHAPE	1	
10	93430-02001-00	CIRCLIP	2	
11	83M-24628-00-00	HOOK	1	
12	90508-08003-00	SPRING, TORSION (813-24637-00)	1	
13	90249-03017-00	PIN	1	
14	8H5-24560-00-00	FILTER ASSEMBLY	1	
15	90467-11009-00	CLIP	2	
16	(8G6-24336-01-00)	PIPE, SUCTION 2	1	
17	90506-06065-00	SPRING, TENSION	1	
18	(8G6-24335-00-00)	PIPE, SUCTION 1	1	
19	90446-11020-00	HOSE	1	
20	91A20-07018-00	TUBE, FLEXIBLE VINYL	1	
21	878-24379-00-00	PIPE, JOINT 4	1	
22	90467-11028-00	CLIP	3	
23	90446-09013-00	HOSE (90446-09079)	1	
24	90467-09005-00	CLIP, SCISSOR	1	
25	90446-09051-00	HOSE (806-24319-00)	1	
26	90465-11044-00	CLAMP	1	
27	(878-24173-01-00)	BAND, TNK FITTING 1	1	
28	97313-06040-00	BOLT, HEXAGON	2	

CONTINUED ON NEXT FRAME ►

Property of www.SmallEngineDiscount.com - Not for Resale

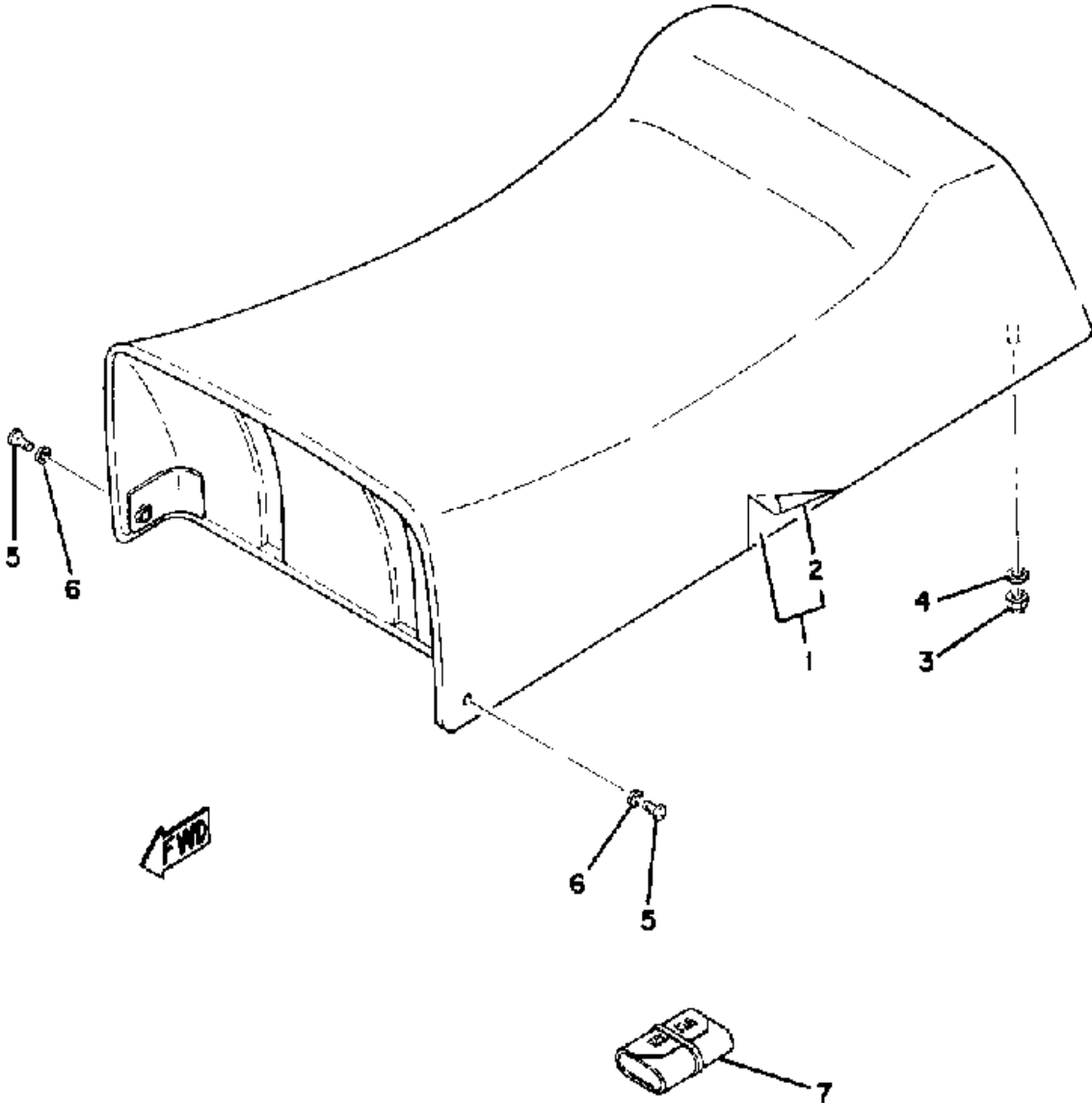
FUEL TANK



Ref. No.	Part Number	Description	Qty	Remarks
29	(90215-06048-00)	WASHER, LOCK	2	
30	8G6-24199-00-00	BAND, TNK FITTING 2	2	
31	90149-05006-00	SCREW, SPEC'L SHAPE (821-24176-00)	1	
32	90179-05030-00	NUT, SPEC'L SHAPE (806-24146-00)	1	
33	806-24135-00-00	CLAMP 1	1	
34	(8G6-24181-00-00)	DAMPER, LOCATING 1	1	
35	(8G6-24182-00-00)	DAMPER, LOCATING 2	2	

Property of www.SmallEngineDiscount.com - Not for Resale

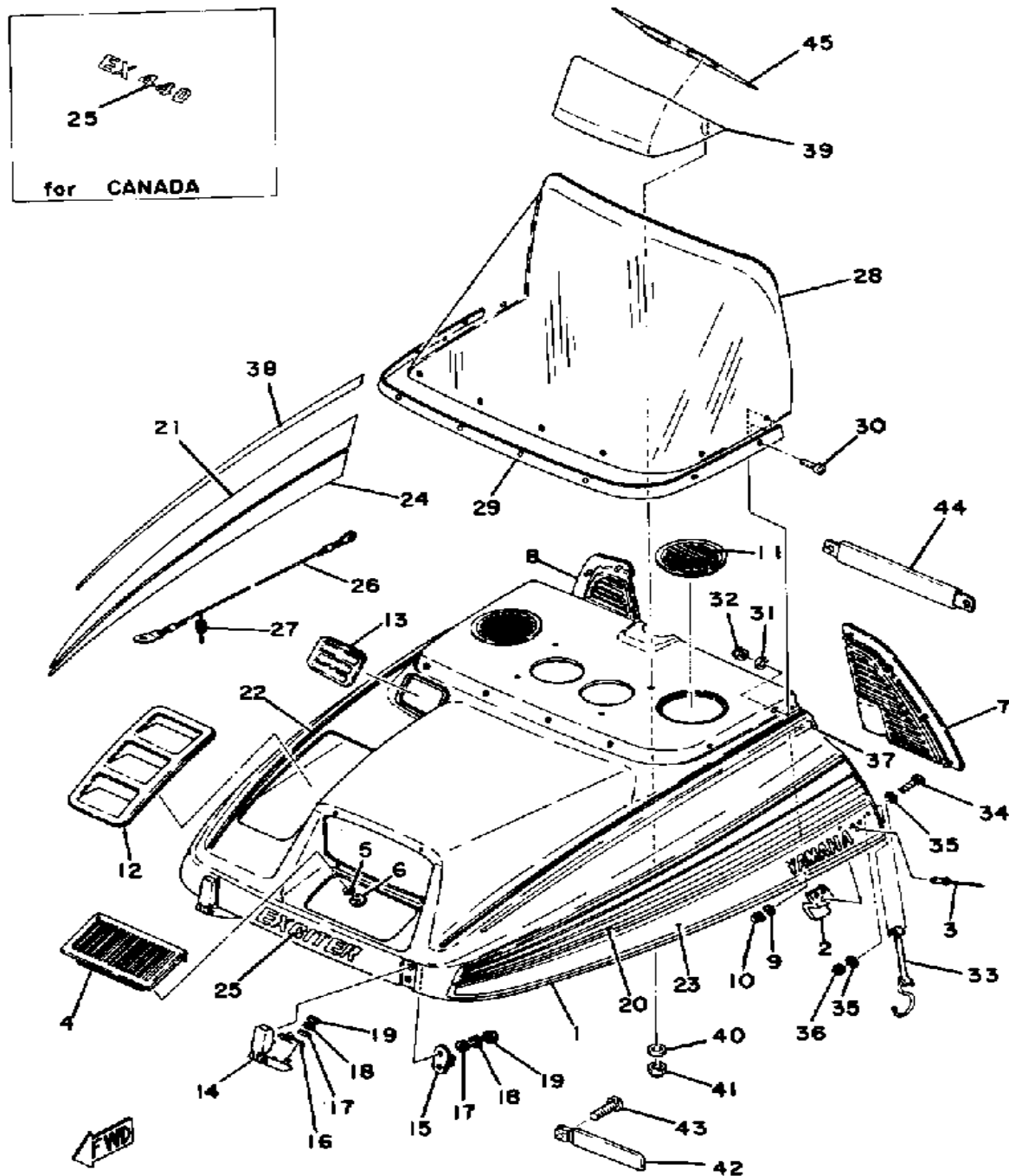
SEAT



Ref. No.	Part Number	Description	Qty	Remarks
1	8G6-24730-00-00	DOUBLE SEAT ASSEMBLY ...	1	
2	8G6-24371-00-00	. UNAVAILABLE IN PRICE BOOK	1	
3	95712-08300-00	NUT, LOCK	2	
4	90201-08107-00	WASHER, PLATE	2	
5	90154-06003-00	SCREW, BINDING	2	
6	90201-06059-00	WASHER, PLATE	2	
7	(8E7-28100-10-00)	TOOL KIT	1	
	8G6-28100-00-00	TOOL KIT (8G6-28100-10)	1	

Property of www.SmallEngineDiscount.com - Not for Resale

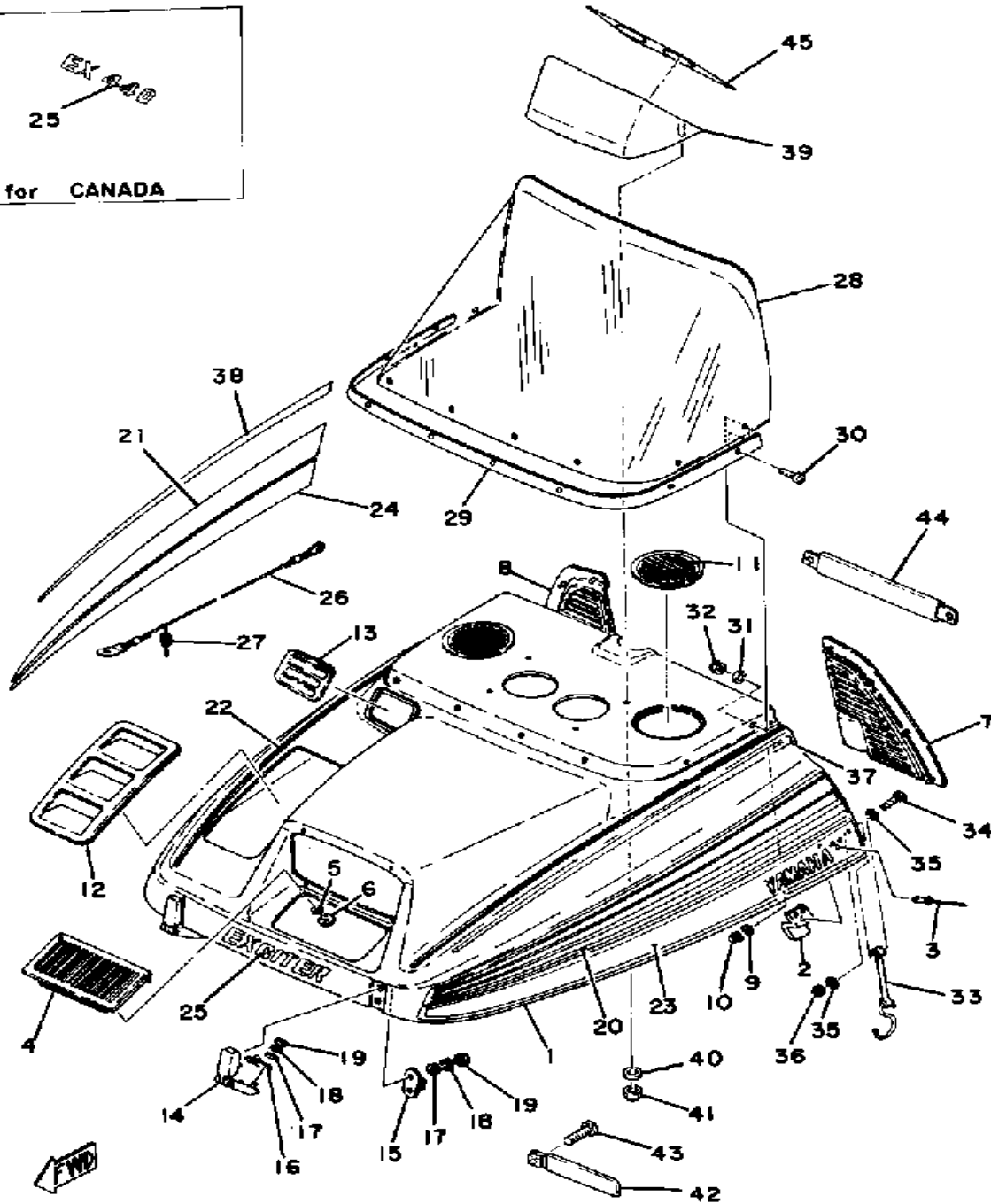
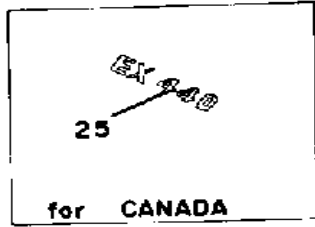
SHROUD



Ref. No.	Part Number	Description	Qty	Remarks
1	8G6-W7711-00-00	SHROUD ASSEMBLY (8G6-77110-00)	1	
2	8A5-77136-01-00	CLAMP 2	2	
3	90267-40M00-00	RIVET, BLIND	8	
4	8A5-77108-30-00	LOUVER 6	1	
5	90183-05003-00	NUT, SPRING	2	
6	838-77143-00-00	EMBLEM 3	2	
7	8A5-77131-01-00	LOUVER 1	1	
8	8A5-77132-01-00	LOUVER 2	1	
9	90201-05029-00	WASHER, PLATE	8	
10	95701-05300-00	NUT, NYLON	8	
11	8A7-77133-30-00	LOUVER 3	2	
12	8A5-77134-30-00	LOUVER 4	1	
13	8A5-77109-30-00	LOUVER 5	1	
14	878-77140-00-00	HINGE ASSEMBLY	2	
15	8G6-77153-00-00	PLATE, BACK UP 1	2	
16	878-77154-00-00	PLATE, BACK UP 2	2	
17	90201-06M08-00	WASHER, PLATE	2	
18	92995-06100-00	WASHER, SPRING	6	
19	95380-06600-00	NUT	6	
20	(8G6-77163-00-00)	ORNAMENT 1	1	
21	(8G6-77164-00-00)	ORNAMENT 2	1	
22	8G6-77169-00-00	ORNAMENT 3	2	
23	(8G6-77113-00-00)	ORNAMENT 4	1	
24	(8G6-77114-00-00)	ORNAMENT 5	1	
25	(8G6-77357-00-00)	EMBLEM 7	1	
26	8A5-77118-00-00	STOPPER, SHROUD	1	
27	838-77159-00-00	CLAMP, ROD	1	
28	8A5-77210-00-00	WINDSHIELD	1	

CONTINUED ON NEXT FRAME ►

Property of www.SmallEngineDiscount.com - Not for Resale

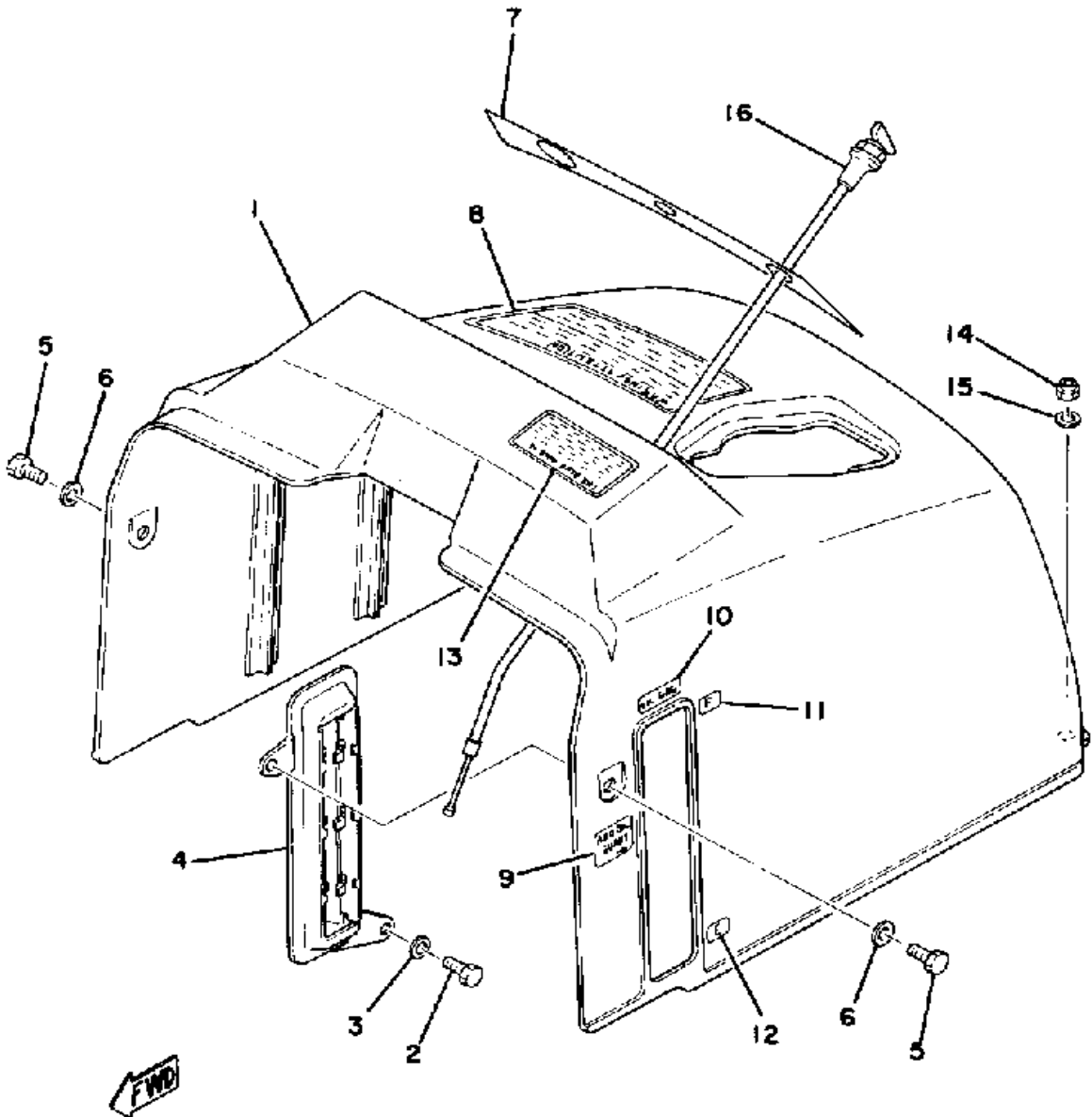


SHROUD

Ref. No.	Part Number	Description	Qty	Remarks
29	8G6-77214-00-00	TRIM, LOWER	1	
30	90154-05002-00	SCREW, BINDING	8	
31	90201-05029-00	WASHER, PLATE	7	
32	95701-05300-00	NUT, NYLON	8	
33	856-77170-00-00	LATCH ASSEMBLY	2	
34	98980-06030-00	SCREW, BIND	2	
35	90201-06067-00	WASHER, PLATE	4	
36	95701-06300-00	NUT, NYLON	2	
37	(8G6-7716E-00-00)	REFLECTOR 1	1	
38	(8G6-7716F-00-00)	REFLECTOR 2	1	
39	8G6-83611-00-00	PANEL, METER	1	
40	90201-05029-00	WASHER, PLATE	4	
41	95701-05300-00	NUT, NYLON	4	
42	90462-06037-00	CLAMP	1	
43	98906-06008-00	SCREW, BIND	1	
44	90465-05128-00	CLAMP	1	
45	8G6-83612-00-00	COVER, METER PANEL	1	

Property of www.SmallEngineDiscount.com - Not for Resale

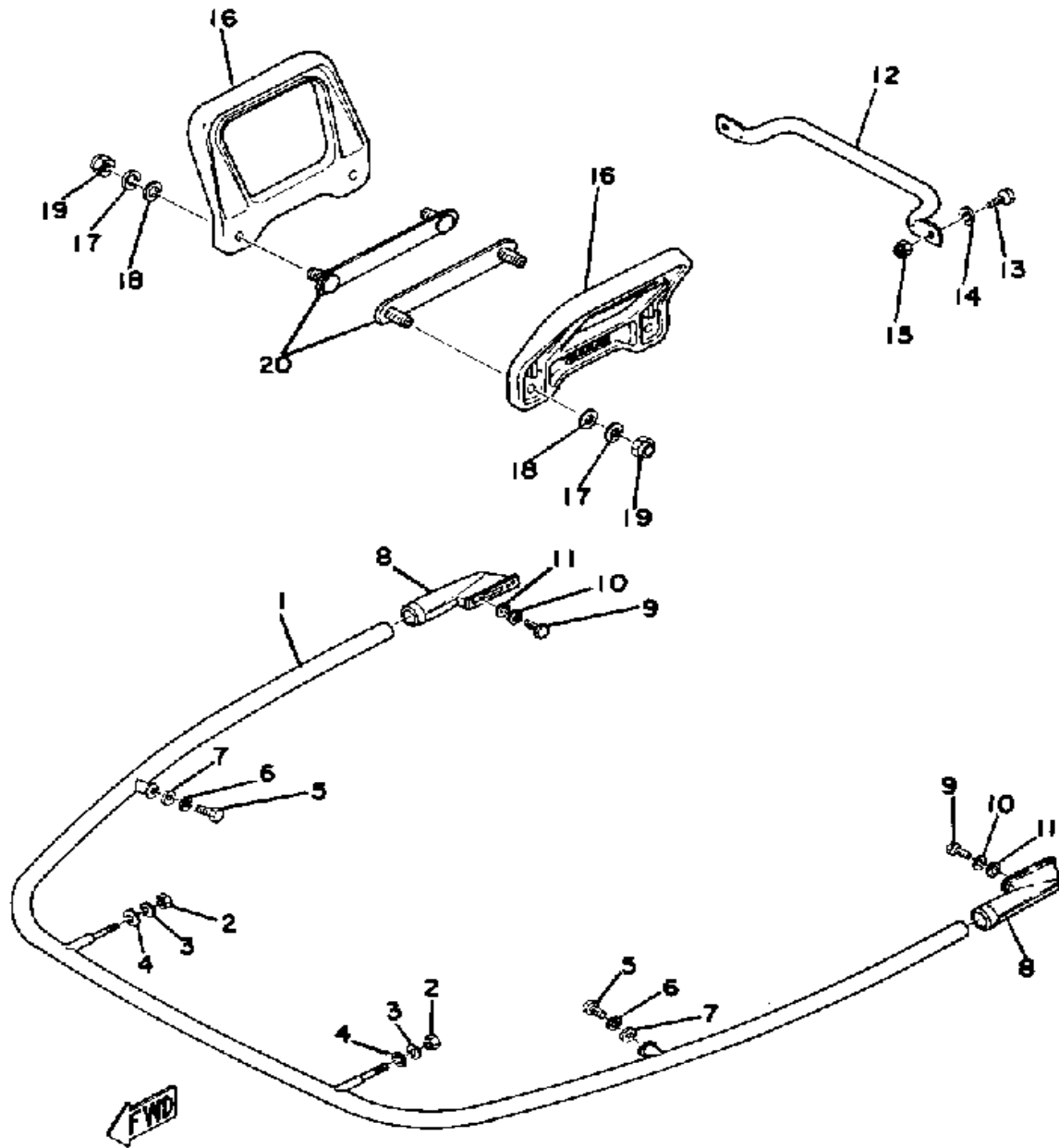
INSTRUMENT PANEL



Ref. No.	Part Number	Description	Qty	Remarks
1	(8G6-77711-00-00)	PANEL, INSTRUMENT	1	
2	97016-06016-00	BOLT	2	
3	92906-06600-00	WASHER	2	
4	878-21761-00-00	GAUGE, LEVEL	1	
5	97013-06012-00	BOLT	1	
6	92901-06600-00	WASHER	1	
7	(8G6-77715-00-00)	ORMNT, INSTR PNL 1	1	
8	8G6-77761-00-00	LABEL, WARNING 1	1	
9	8E7-77742-00-00	INDICATOR 2	1	
10	878-77743-00-00	INDICATOR 3	1	
11	878-77744-00-00	INDICATOR 4	1	
12	878-77745-00-00	INDICATOR 5	1	
13	(8G6-77765-00-00)	LABEL, WARNING 5	1	
14	95701-06300-00	NUT, NYLON	2	
15	90201-06059-00	WASHER, PLATE	2	
16	8G6-26331-00-00	CABLE, STARTER 1	1	

Property of www.SmallEngineDiscount.com - Not for Resale

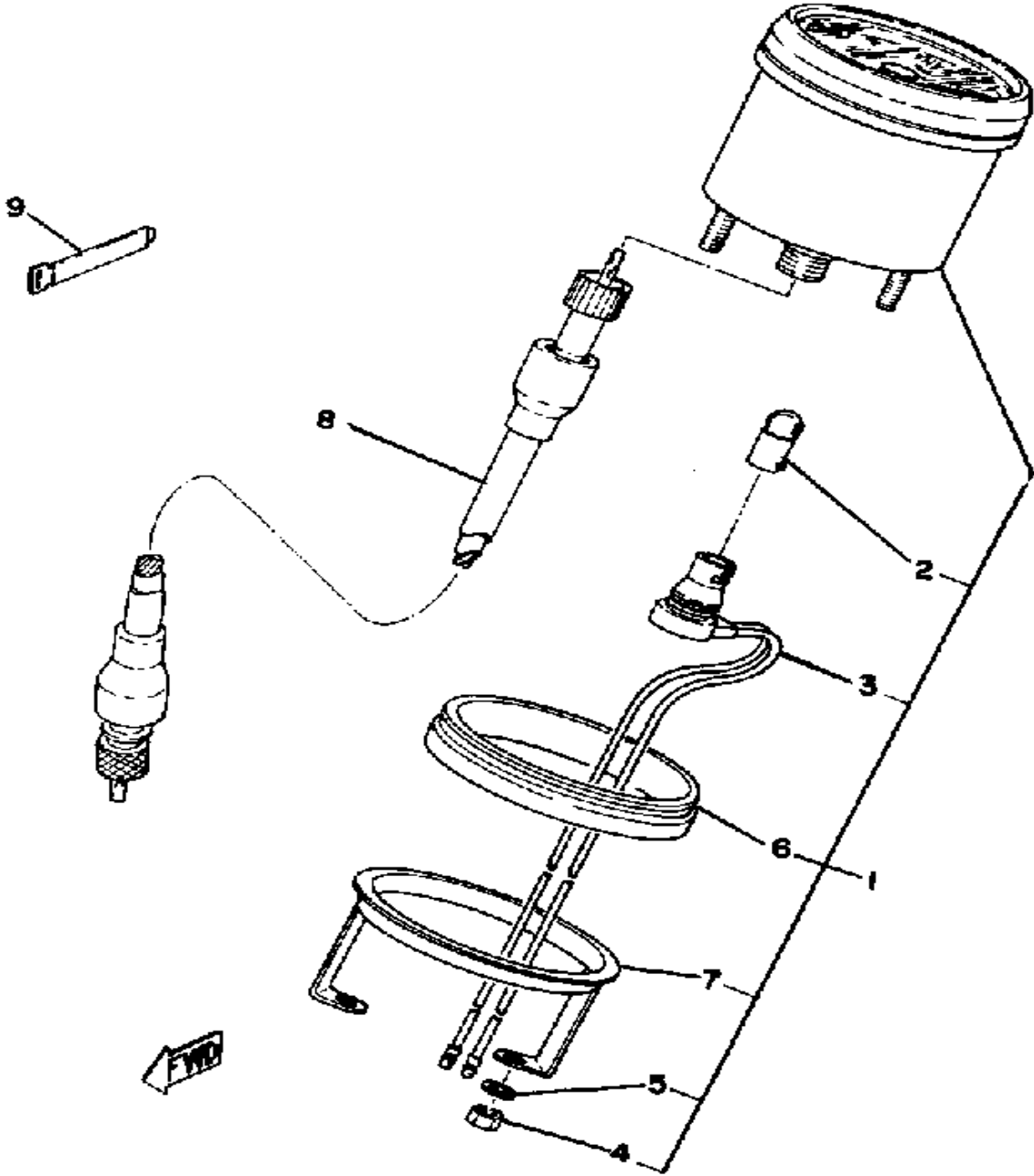
BUMPER



Ref. No.	Part Number	Description	Qty	Remarks
1	878-77510-00-00	FRONT BUMPER	1	
2	95333-08600-00	NUT	2	
3	92990-08100-00	WASHER	2	
4	92901-08600-00	WASHER	2	
5	97001-08025-00	BOLT (1NV)	2	
6	92990-08100-00	WASHER	2	
7	92901-08600-00	WASHER	2	
8	878-77523-01-00	END, BUMPER	2	
9	97001-05018-00	BOLT HEXAGON	4	
10	92990-05100-00	WASHER, SPRING	4	
11	92901-05600-00	WASHER, PLATE	4	
12	8E7-77541-00-00	BUMPER, REAR 1	1	
13	97313-08020-00	BOLT, HEXAGON	2	
14	92901-08600-00	WASHER	2	
15	95712-08300-00	NUT, LOCK	2	
16	FJ0-63771-30-00	GRIP, ASSIST	2	
17	92990-08100-00	WASHER	2	
18	90201-08107-00	WASHER, PLATE	4	
19	95303-08800-00	NUT (CROWN) (95301-08800) .	4	
20	898-77576-00-00	BRKT, ASSIST GRIP	2	

Property of www.SmallEngineDiscount.com - Not for Resale

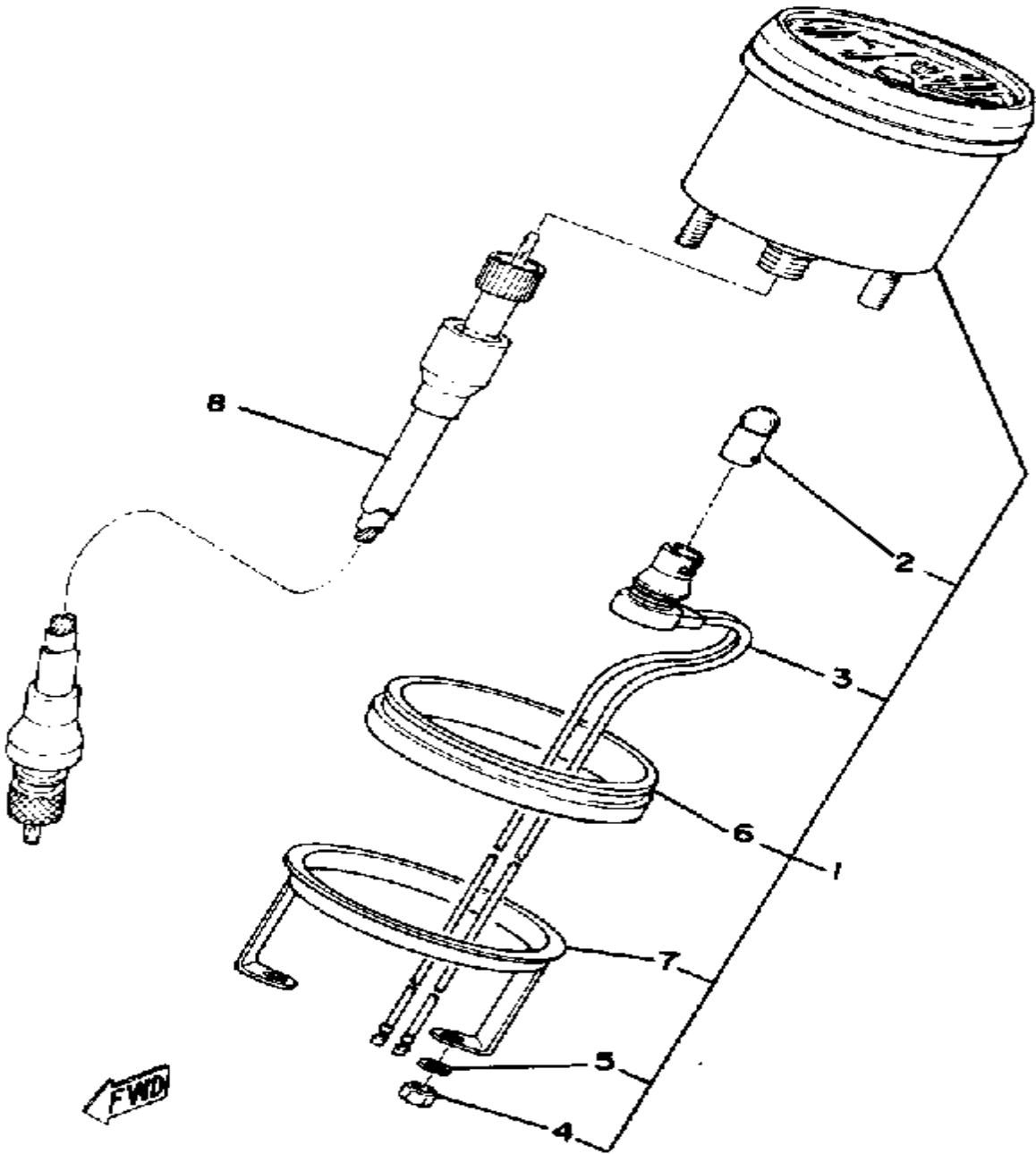
METER



Ref. No.	Part Number	Description	Qty	Remarks
1	8G6-83510-21-00	SPEEDOMETER ASSEMBLY ..	1	
2	123-83516-21-00	. BULB (12V-3.4W)	1	
3	(861-83536-40-00)	SOCKET, METER	1	
4	95380-05600-00	. NUT	2	
5	92990-05100-00	. WASHER, SPRING	2	
6	8G6-83523-00-00	. DAMPER	1	
7	8G6-83519-00-00	. BRACKET, METER	1	
8	8G6-83550-01-00	SPEEDOMETER CABLECABLE ASSEMBLY	1	
9	341-26397-01-00	BAND	1	

Property of www.SmallEngineDiscount.com - Not for Resale

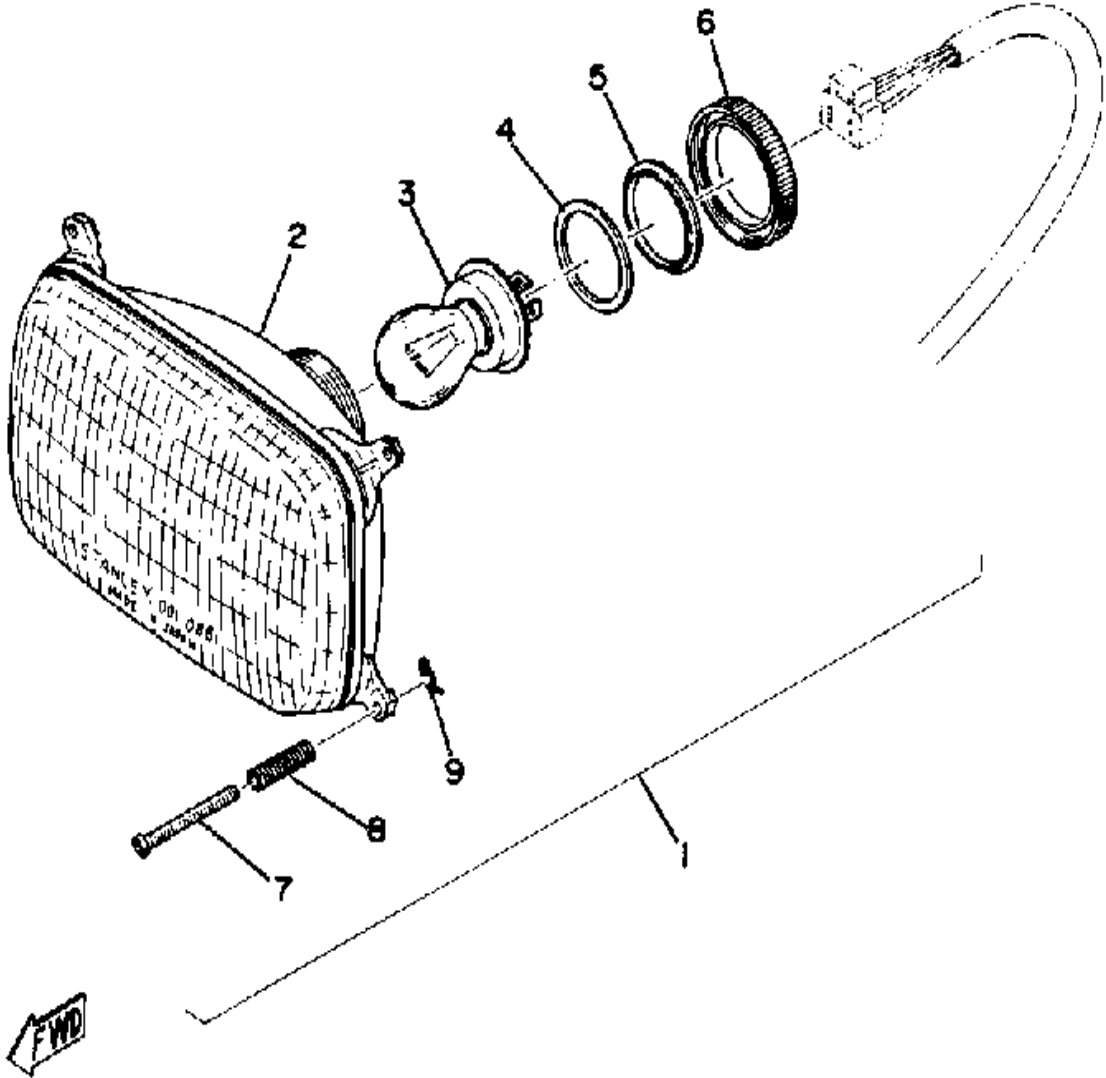
TACHOMETER



Ref. No.	Part Number	Description	Qty	Remarks
1	8R5-83540-00-00	TACHOMETER ASSEMBLY ...	1	
2	123-83516-21-00	. BULB (12V-3.4W)	1	
3	(861-83536-40-00)	SOCKET, METER	1	
4	95380-05600-00	. NUT	2	
5	92990-05100-00	. WASHER, SPRING	2	
6	8G6-83523-00-00	. DAMPER	1	
7	8G6-83519-00-00	. BRACKET, METER	1	
8	8G6-83560-01-00	TACHOMETER CABLE	1	

Property of www.SmallEngineDiscount.com - Not for Resale

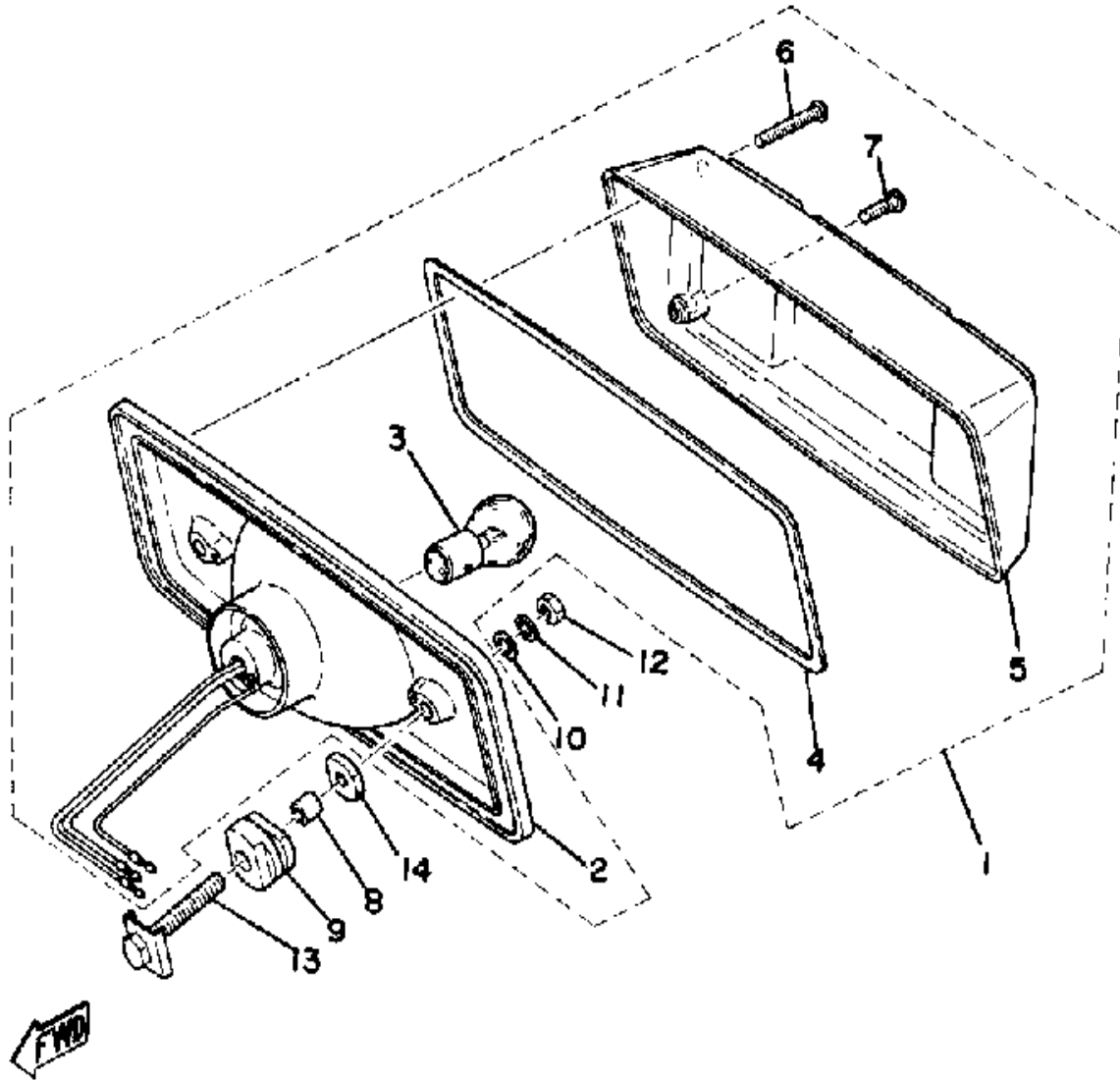
HEADLIGHT



Ref. No.	Part Number	Description	Qty	Remarks
1	(8A5-84310-80-00)	HEADLIGHT UNIT ASSEMBLY	1	
2	8A5-84320-00-00	. LENS ASSEMBLY	1	
3	838-84314-00-00	. BULB, HEADLIGHT	1	
4	838-84327-00-00	. WASHER, SPECIAL	1	
5	838-84328-00-00	. SPACER	1	
6	838-84317-00-00	. NUT	1	
7	8M6-84331-00-00	. SCREW, RIM ADJUSTING (8A5-84331-00-00)	4	
8	8A5-84332-00-00	. SPRING, SCREW	4	
9	8KA-84374-00-00	. UNAVAILABLE IN PRICE BOOK (807-84374-00)	4	

Property of www.SmallEngineDiscount.com - Not for Resale

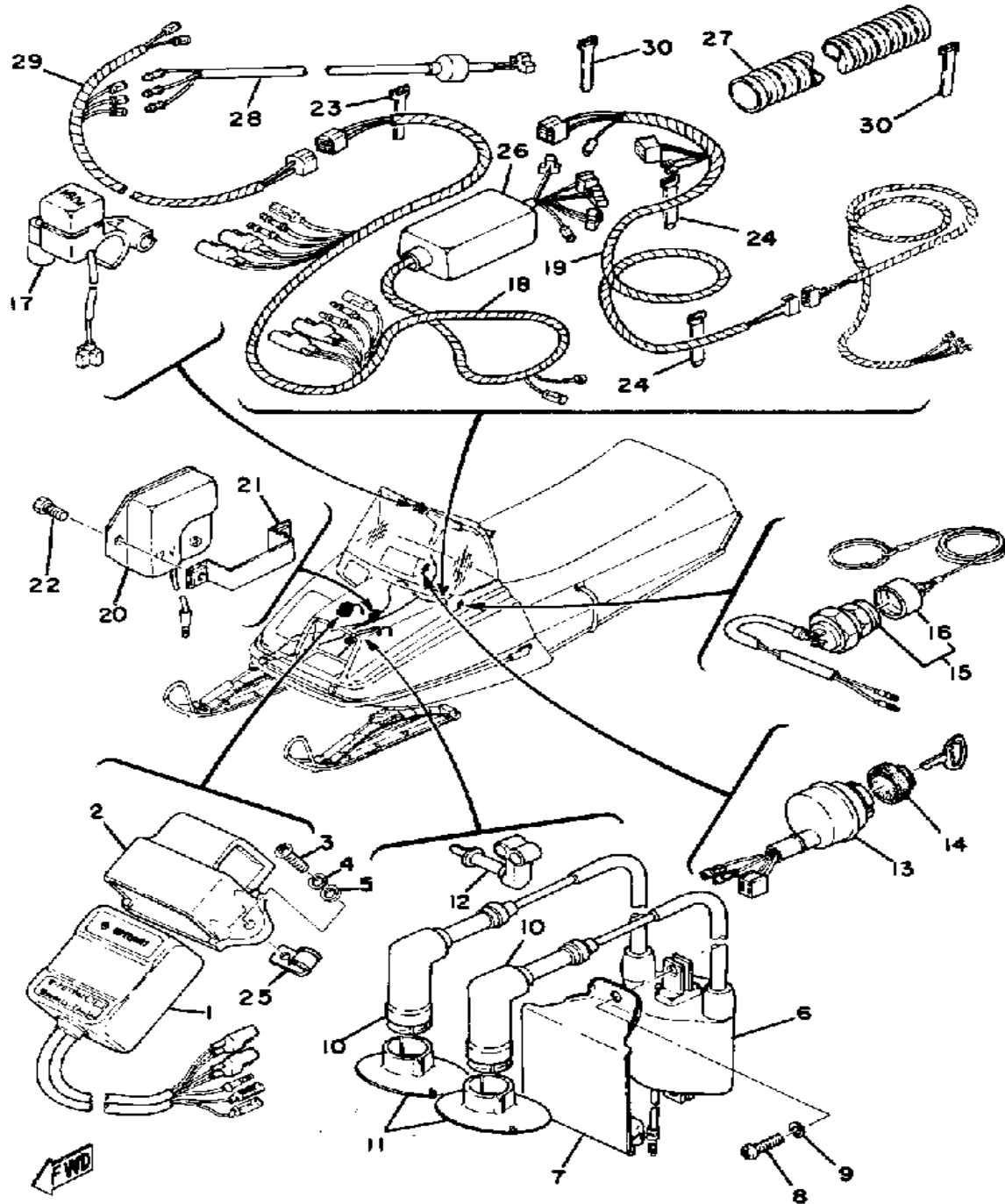
TAILLIGHT



Ref. No.	Part Number	Description	Qty	Remarks
1	8A1-84710-00-00	TAILLIGHT UNIT ASSEMBLY ..	1	
2	8A1-84710-00-00	. TAILLIGHT UNIT ASSEMBLY .	1	
3	137-84714-61-00	. BULB, TL 12V23/8W (J50-83311-00)	1	
4	821-84712-00-00	. SEAT, BASE	1	
5	821-84721-00-00	. LENS, TAILLIGHT	1	
6	98511-04030-00	. SCREW, PAN HEAD	2	
7	98503-04014-00	. SCREW, PAN HEAD	2	
8	90387-074W0-00	COLLAR	2	
9	90480-10187-00	GROMMET	2	
10	92901-06600-00	WASHER	2	
11	92995-06100-00	WASHER, SPRING	2	
12	95380-06600-00	NUT	2	
13	90109-06428-00	BOLT	2	
14	90179-06209-00	NUT, SPEC'L SHAPE	2	

Property of www.SmallEngineDiscount.com - Not for Resale

ELECTRICAL

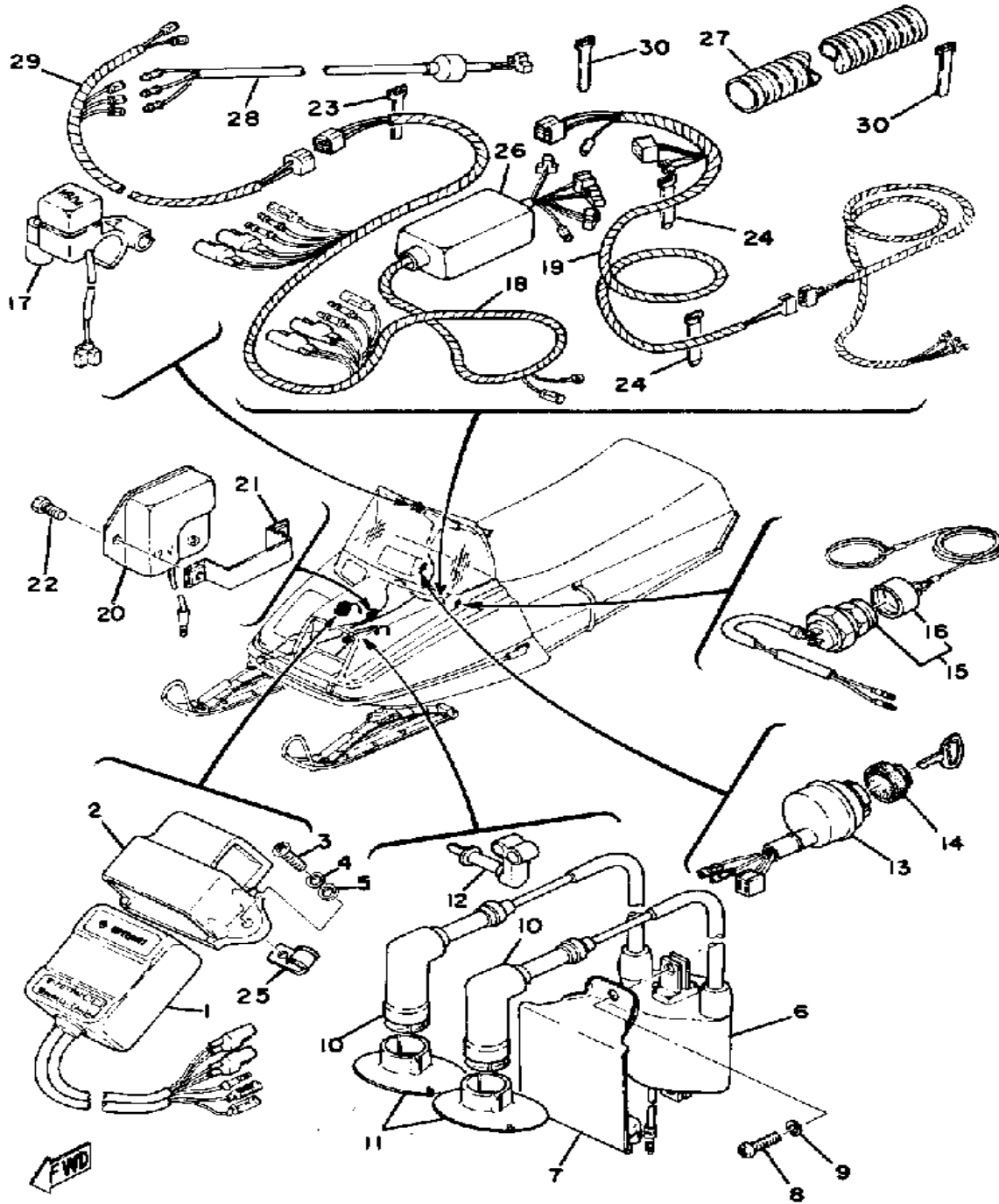


Ref. No.	Part Number	Description	Qty	Remarks
1	8E7-85540-10-00	CDI UNIT ASSEMBLY	1	
2	363-85546-00-00	BAND	1	
3	98502-06016-00	SCREW, PAN HEAD (98501-06014-00)	2	
4	92995-06100-00	WASHER, SPRING	2	
5	90201-06M08-00	WASHER, PLATE	2	
6	8E7-82310-11-00	IGNITION COIL ASSEMBLY	1	
7	(8E7-82314-00-00)	COVER, IGNITN COIL	1	
8	98580-06018-00	SCREW, PAN HEAD	2	
9	92995-06100-00	WASHER, SPRING	2	
10	8E7-82370-11-00	PLUG CAP ASSEMBLY	2	
11	8E7-82372-00-00	SEAL, PLUG CAP	2	
12	(8E7-82361-00-00)	CLAMP, CORD	1	
13	898-82508-20-00	MAIN SWITCH ASSEMBLY	1	
14	806-82516-00-00	COLLAR, MAIN SWITCH	1	
15	8J7-82550-01-00	STOP SWITCH ASSEMBLY	1	
16	8H8-82552-09-00	. CAP, SWITCH	1	
17	8E3-83976-01-00	SWITCH, HANDLE 1	1	
18	8G6-82590-20-00	WIRE HARNESS ASSEMBLY	1	
19	8G6-82580-20-00	WIRE HARNESS ASSEMBLY 2	1	
20	82F-81910-A0-00	VOLTAGE REGULATOR ASSEMBLY	1	
21	8G6-81915-00-00	PLATE, REG FITTING	1	
22	97313-06016-00	BOLT, HEXAGON	2	
23	J45-83936-00-00	BAND, SWITCH CORD	1	
24	341-26397-01-00	BAND	2	
25	90465-06013-00	CLAMP	1	
26	(878-82599-00-00)	COVER, CONNECTER	1	
27	(8G6-82589-00-00)	PROTC, WIRE HARNESS	1	

CONTINUED ON NEXT FRAME ►

Property of www.SmallEngineDiscount.com - Not for Resale

ELECTRICAL



Ref. No.	Part Number	Description	Qty	Remarks
28	8G6-84359-00-00	CORD, HEADLIGHT	1	
29	8G6-84348-00-00	WIRE, LEAD 1	1	
30	437-83936-01-00	BAND, SWITCH CORD	2	

Property of www.SmallEngineDiscount.com - Not for Resale

EX340B 1978 SERVICE DATA

SNOWMOBILE
S7-005

MODEL – IBM I.D. NUMBER	EX340B – 8G7
Starting Engine and Frame Number	SS338-005101 / 8G7-005101
ENGINE (type) (induction system)	2-stroke, 5-port, piston port, forced air cooled
Bore x Stroke x Cylinders Displacement	60mm x 59.6mm x 2 / 338cc
Compression Ratio/Compression Pressure	6.4:1 / NA
Piston Skirt Clearance (new/max)	.045 ~ .050mm / 0.1mm
Ring End Gap (top/2nd)	0.35 ~ 0.55mm / same
Ring Groove Clearance (top/2nd)	.03 ~ .08mm / same
CARBURETOR (mfr) (type) (I.D. number)	Keihin / BD44-38 / 8G7-00
Quantity/Venturi size (measured) (effective)	1 / 44mm / 38mm
Fuel Inlet Valve (size)/Float Level	1.6 / 15 ⁺² ₋₃ mm top of float to chamber surface
Jet Needle/Needle Jet/Cut Away	φ / φ / 150° throttle valve
Main Jet/Slow Jet/Air Screw (turns out)	140 / 100 / 1-1/8 turns
Idle Speed	2000 rpm
AUTOLUBE – Pump Color/Control Rod Adj.	Orange / φ
Pump Plunger Stroke (min) (max)	0.20 ~ 0.25mm / 1.65 ~ 1.87mm
Output @ 200 strokes (full throttle/idle)	4.7cc / 0.5cc
DRIVE (type)	V-belt Automatic
Primary Sheave Engagement RPM	3300 ~ 3700 rpm
Belt Length/Width/Wear Limit/IBM number	1099mm / 31.5mm / 26mm / 8A1
Primary Ratio(s)	3.5:1 ~ 1:1
Sheave Center to Center/Offset	270 ± 2mm / 5.5 ± 0.5mm
Primary Spring Color/Length/Rate	White / 76.6mm / 1.66 kg-mm
Secondary Spring Pre-load/Part Number/Color	150° / 90508-45287 / Blue
Secondary Drive Ratio/Chain Pitch-type/Freeplay	33-19 / No. 35-3 / 10mm
Track (width)/Tension	380mm / 25 ~ 30mm @ 10 kg
SLIDE SUSPENSION – Stopper Band/Rear Spring	φ / Middle Position
CAPACITIES – Chain Case (quantity) (type)	320cc / SAE75-80, API, GL-3
Fuel Tank (quantity) (grade)	7.9 gal. Regular Gasoline
Autolube Tank (quantity) (type)	3.0 qt. Yamalube 2
Torque Convertor (quantity) (type)	φ
ELECTRICAL – Charging System (mfr) (type)	Hitachi CDI
Lighting Output at Full Load	12V-100W
Headlight/Tailight/Instrument Ratings	12V60W-60W / 12V8-23W / φ
Lighting Coil Resistance	Yel-Blk / 0.21Ω ± 10%
Stoplight Coil Resistance	φ
Ignition Source Coil Resistance (charge coil)	Brn-Blk / 113Ω ± 10% // Blu-Blk / 29Ω ± 10%
Pulser Coil Resistance	Wht-Red~Blk / 85Ω ± 10% // Wht-Blk~Blk / 85Ω ± 10%
Coil Resistance (primary) (secondary)	0.15Ω ± 10% / 3.6KΩ ± 20%
Breaker Point Gap	φ
Spark Plug Type/Heat Range/Gap	NGK B9EV / 0.5 ~ 0.6mm
Timing (B.T.D.C.)*	1.6 ± 0.1mm BTDC

N/A = Information Not Available
φ = Does Not Apply To This Model

*After setting statically, check with timing light.

EX440B 1978 SERVICE DATA

SNOWMOBILE
S7-009

MODEL – IBM I.D. NUMBER	EX440B – 8G6
Starting Engine and Frame Number	SS433-012101 / 8G6-012101
ENGINE (type) (induction system)	2-stroke, 7-port, twin, forced air cooled, reed valve
Bore x Stroke x Cylinders Displacement	68mm x 59.6mm x 2 / 433cc
Compression Ratio/Compression Pressure	7:1 / NA
Piston Skirt Clearance (new/max)	.045 ~ .050mm / 0.1mm
Ring End Gap (top/2nd)	0.35 ~ 0.55mm / same
Ring Groove Clearance (top/2nd)	.02 ~ .06mm / same
CARBURETOR (mfr) (type) (I.D. number)	Keihin / BD44-38 / 8G6-00
Quantity/Venturi size (measured) (effective)	1 / 44mm / 38mm
Fuel Inlet Valve (size)/Float Level	1.6 / 15 ⁺² ₋₃ mm top of float to chamber surface
Jet Needle/Needle Jet/Cut Away	φ / φ / 150° throttle valve
Main Jet/Slow Jet/Air Screw (turns out)	152 / 90 / 1½ turns
Idle Speed	1500 rpm
AUTOLUBE – Pump Color/Control Rod Adj.	Dark Blue / φ
Pump Plunger Stroke (min) (max)	0.20 ~ 0.25mm / 1.65 ~ 1.87mm
Output @ 200 strokes (full throttle/idle)	8.9cc / .95cc
DRIVE (type)	V-belt Automatic
Primary Sheave Engagement RPM	3300 ~ 3700 rpm
Belt Length/Width/Wear Limit/IBM number	1099mm / 31.5mm / 26mm / 8A7
Primary Ratio(s)	3.5:1 ~ 1:1
Sheave Center to Center/Offset	270 ± 2mm / 5.5mm
Primary Spring Color/Length/Rate	Pink-White / 78.6mm / 1.76 kg-mm
Secondary Spring Pre-load/Part Number/Color	120° / 90508-45286 / Yellow
Secondary Drive Ratio/Chain Pitch-type/Freeplay	33-19 / No. 35 triplex / 10mm
Track (width)/Tension	380mm / 25 ~ 30mm @ 10 kg
SLIDE SUSPENSION – Stopper Band/Rear Spring	φ / Middle Position
CAPACITIES – Chain Case (quantity) (type)	320cc SAE75-80, API, GL-3
Fuel Tank (quantity) (grade)	7.9 gal. Regular Gasoline
Autolube Tank (quantity) (type)	3.0 qt. Yamalube 2
Torque Convertor (quantity) (type)	φ
ELECTRICAL – Charging System (mfr) (type)	Hitachi CDI
Lighting Output at Full Load	12V-100W
Headlight/Tailight/Instrument Ratings	12V60W/60W / 12V8-23W
Lighting Coil Resistance	Yel-Blk / 0.21Ω ± 10%
Stoplight Coil Resistance	φ
Ignition Source Coil Resistance (charge coil)	Brn-Blk / 113Ω ± 10% // Blu-Blk / 29Ω ± 10%
Pulser Coil Resistance	Wht-Red~Blk/85Ω±10%/Wht-Blk~Blk/85Ω±10%
Coil Resistance (primary) (secondary)	0.15Ω ± 10% / 3.6KΩ ± 20%
Breaker Point Gap	φ
Spark Plug Type/Heat Range/Gap	NGK B9EV / 0.5 ~ 0.6mm
Timing (B.T.D.C.)*	1.6 ± 0.1mm BTDC

N/A = Information Not Available
φ = Does Not Apply To This Model

*After setting statically, check with timing light.

Property of www.SmallEngineDiscount.com - Not for Resale

SNOWMOBILE
S7-009

EX440B
1978 SERVICE DATA

MODEL — IBM I.D. NUMBER	EX440B — 8G6
Starting Engine and Frame Number	SS433-012101 / 8G6-012101
ENGINE (type) (induction system)	2-stroke, 7-port, twin, forced air cooled, reed valve
Bore x Stroke x Cylinders Displacement	68mm x 59.6mm x 2 / 433cc
Compression Ratio/Compression Pressure	7:1 / NA
Piston Skirt Clearance (new/max)	.045 ~ .050mm / 0.1mm
Ring End Gap (top/2nd)	0.35 ~ 0.55mm / same
Ring Groove Clearance (top/2nd)	.02 ~ .06mm / same
CARBURETOR (mfr) (type) (I.D. number)	Keihin / BD44-38 / 8G6-00
Quantity/Venturi size (measured) (effective)	1 / 44mm / 38mm
Fuel Inlet Valve (size)/Float Level	1.6 / 15.3mm top of float to chamber surface
Jet Needle/Needle Jet/Cut Away	φ / φ / 150° throttle valve
Main Jet/Slow Jet/Air Screw (turns out)	152 / 90 / 1½ turns
Idle Speed	1500 rpm
AUTOLUBE — Pump Color/Control Rod Adj.	Dark Blue / φ
Pump Plunger Stroke (min) (max)	0.20 ~ 0.25mm / 1.65 ~ 1.87mm
Output @ 200 strokes (full throttle/idle)	8.9cc / .95cc
DRIVE (type)	V-belt Automatic
Primary Sheave Engagement RPM	3300 ~ 3700 rpm
Belt Length/Width/Wear Limit/IBM number	1099mm / 31.5mm / 26mm / 8A7
Primary Ratio(s)	3.5:1 ~ 1:1
Sheave Center to Center/Offset	270 ± 2mm / 5.5mm
Primary Spring Color/Length/Rate	Pink-White / 78.6mm / 1.76 kg-mm
Secondary Spring Pre-load/Part Number / Color	120° / 90508-45286 / Yellow
Secondary Drive Ratio/Chain Pitch-type/Freerplay	33-19 / No. 35 triplex / 10mm
Track (width)/Tension	380mm / 25 ~ 30mm @ 10 kg
SLIDE SUSPENSION — Stopper Band/Rear Spring	φ / Middle Position
CAPACITIES — Chain Case (quantity) (type)	320cc SAE75-80, API, GL-3
Fuel Tank (quantity) (grade)	7.9 gal. Regular Gasoline
Autolube Tank (quantity) (type)	3.0 qt. Yamalube 2
Torque Converter (quantity) (type)	φ
ELECTRICAL — Charging System (mfr) (type)	Hitachi CDI
Lighting Output at Full Load	12V-100W
Headlight/Tailight/Instrument Ratings	12V60W60W / 12V8-23W
Lighting Coil Resistance	Yel-Blk / 0.21Ω ± 10%
Stoplight Coil Resistance	φ
Ignition Source Coil Resistance (charge coil)	Brn-Blk / 113Ω ± 10% // Blu-Blk / 29Ω ± 10%
Pulser Coil Resistance	Wht-Red~Blk/85Ω±10%/Wht-Blk~Blk/85Ω±10%
Coil Resistance (primary) (secondary)	0.15Ω ± 10% / 3.6KΩ ± 20%
Breaker Point Gap	φ
Spark Plug Type/Heat Range/Gap	NGK B9EV / 0.5 ~ 0.6mm
Timing (B.T.D.C.)*	1.6 ± 0.1mm BTDC

N/A = Information Not Available
φ = Does Not Apply To This Model

* After setting statically, check with timing light.

Property of www.SmallEngineDiscount.com - Not for Resale