

YAMAHA

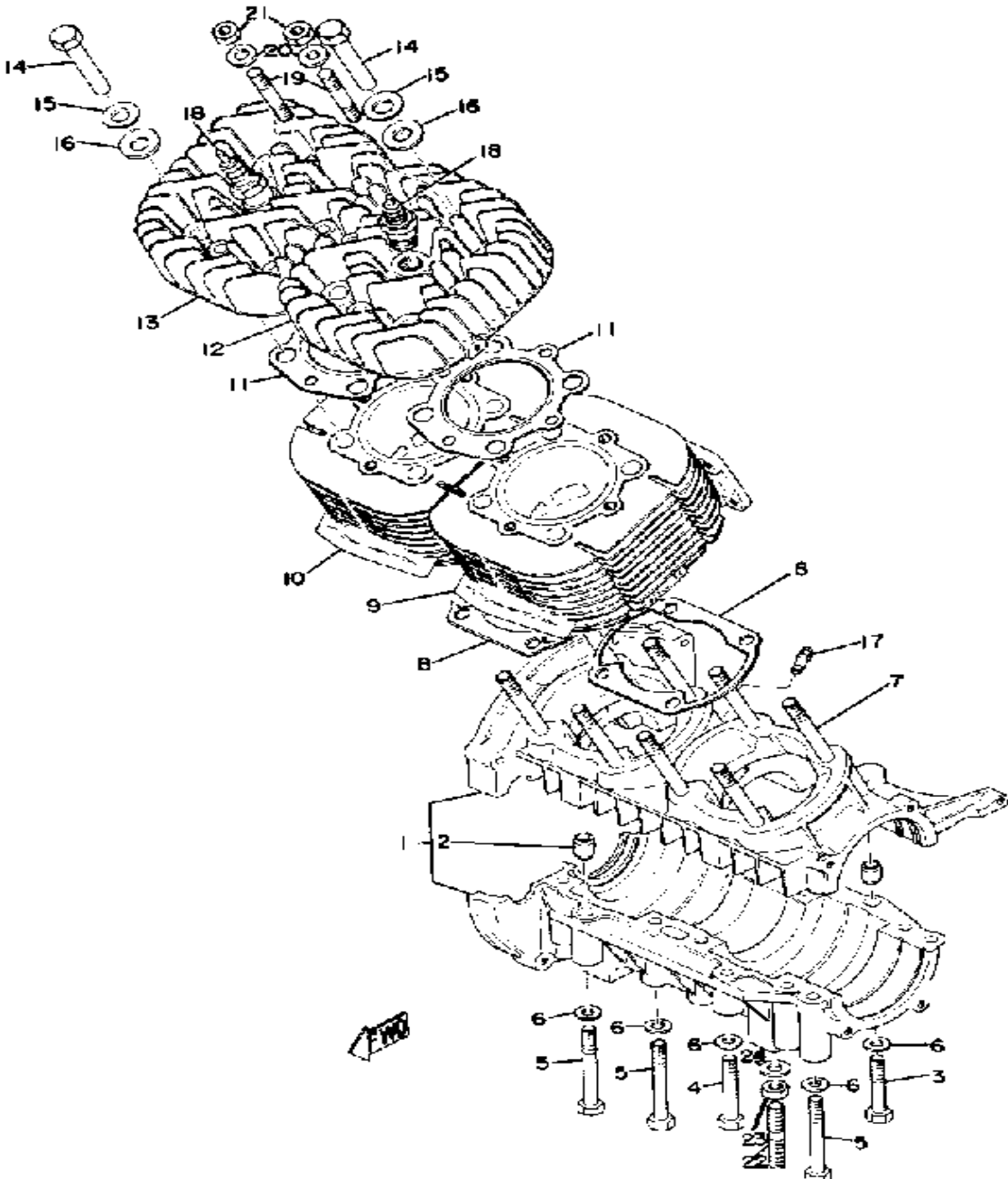
GENUINE

PARTS CATALOGUE

SNOWMOBILE

Property of www.SmallEngineDiscount.com - Not for Resale

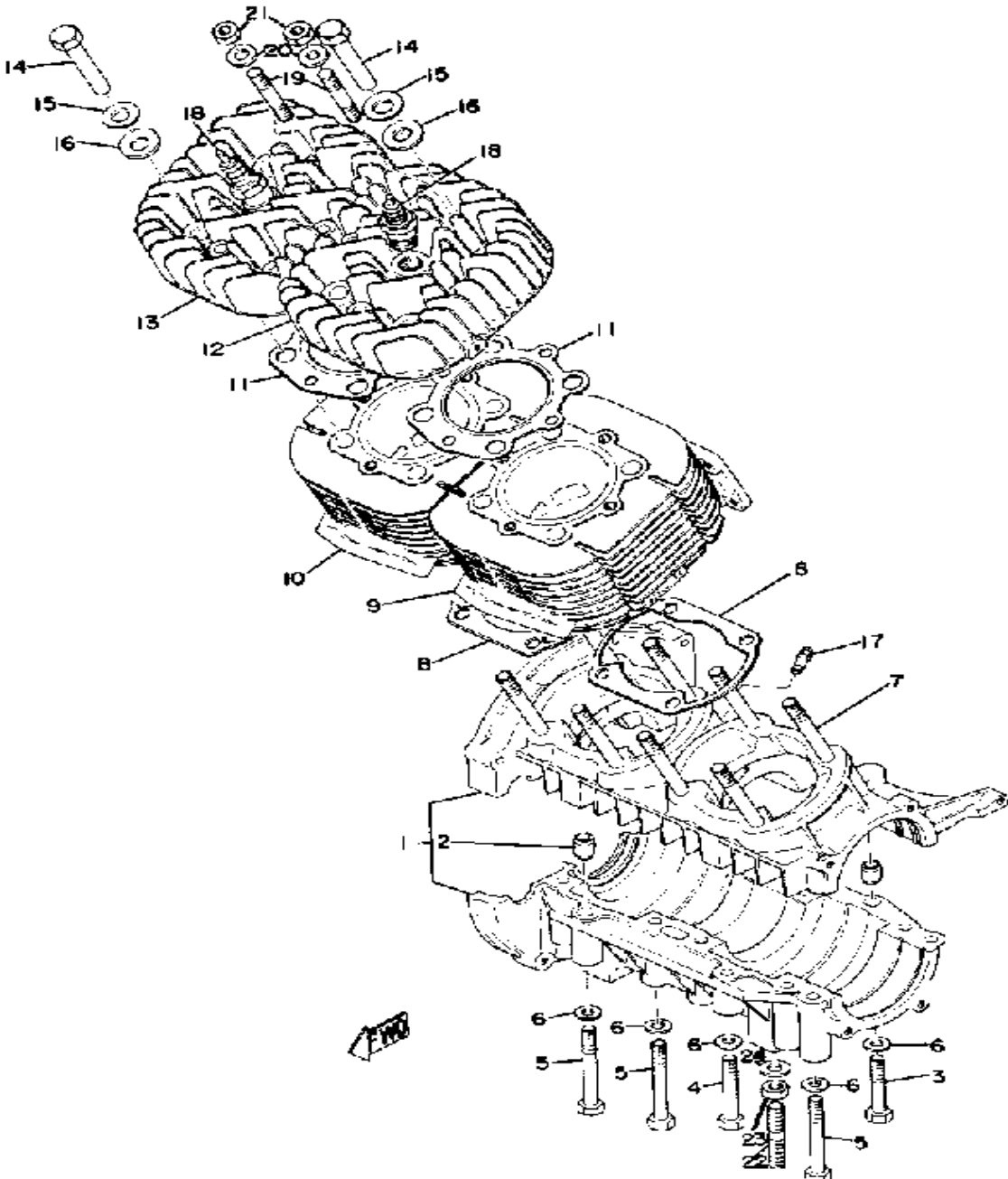
CRANKCASE-CYLINDER



Ref. No.	Part Number	Description	Qty	Remarks
1	(8A6-15100-00-00)	CRANKCASE ASSEMBLY	1	
2	99510-12016-00	. PIN, DOWEL	2	
3	97313-08050-00	BOLT, HEXAGON	2	
4	97321-08055-00	BOLT, HEXAGON	1	
5	97021-08070-00	BOLT	11	
6	92901-08600-00	WASHER	14	
7	90116-08064-00	BOLT, STUD	8	
8	846-11351-01-00	GASKET, CYLINDER	2	
9	8A6-11311-00-00	CYLINDER 1	1	
10	8A6-11321-00-00	CYLINDER 2	1	
11	8A6-11181-00-00	GASKET, CYLINDER HEAD 1	2	
12	(8A6-11111-00-00)	HEAD, CYLINDER 1	1	
13	(8A6-11121-00-00)	HEAD, CYLINDER 2	1	
14	90179-08090-00	NUT, SPEC'L SHAPE	8	
15	92990-12200-00	WASHER, PLAIN	8	
16	NGK-BR9EV-00-00	NGK BR9EV 4PK (94701-00114)	2	S5-018
17	8E4-24461-00-00	PIPE, JOINT	2	
18	90208-12015-00	WASHER, CONICAL SPR	8	
19	90116-10132-00	BOLT, STUD	4	
20	90185-10030-00	NUT, SELF-LOCKING	4	
21	90201-10322-00	WASHER, PLATE	4	
22	(8A6-11355-00-00)	SEAL, CYLINDER 1	1	

Property of www.SmallEngineDiscount.com - Not for Resale

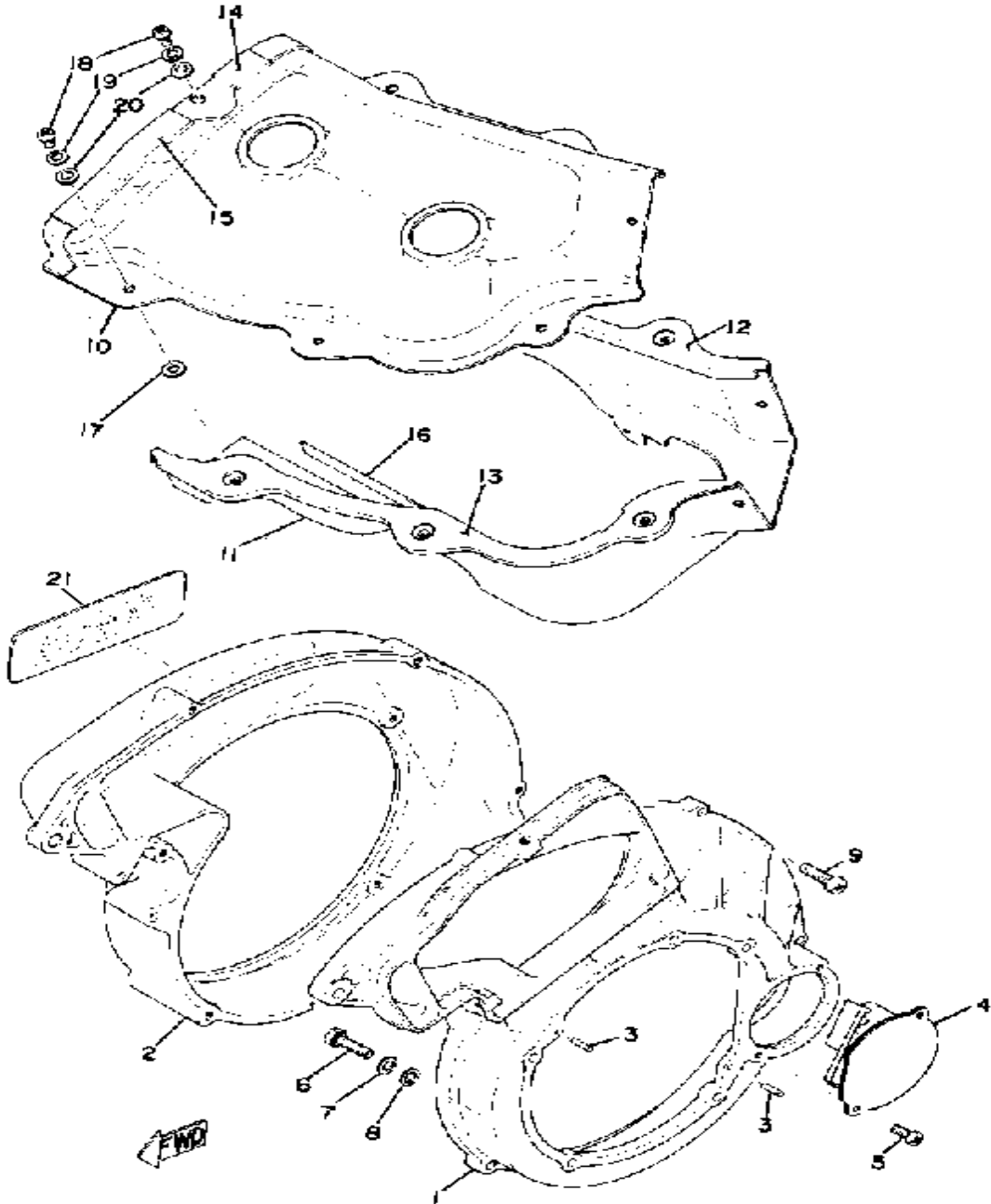
CRANKCASE-CYLINDER



Ref. No.	Part Number	Description	Qty	Remarks
1	(8A5-15100-00-00)	CRANKCASE ASSEMBLY	1	
2	99510-12016-00	. PIN, DOWEL	2	
3	97313-08050-00	BOLT, HEXAGON	2	
4	97321-08055-00	BOLT, HEXAGON	1	
5	97021-08070-00	BOLT	11	
6	92901-08600-00	WASHER	14	
7	90116-08064-00	BOLT, STUD	18	
8	857-11351-00-00	GASKET, CYLINDER	2	
9	8A5-11311-01-00	CYLINDER 1	1	
10	8A5-11321-01-00	CYLINDER 2	1	
11	828-11181-70-00	GASKET, CYLINDER HEAD 1	2	
12	8A5-11111-00-00	HEAD, CYLINDER 1	1	
13	8A5-11121-10-00	HEAD, CYLINDER 2	1	
14	90179-08090-00	NUT, SPEC'L SHAPE	8	
15	90208-12015-00	WASHER, CONICAL SPR	8	
16	92990-12200-00	WASHER, PLAIN	8	
17	8E4-24461-00-00	PIPE, JOINT	2	
18	NGK-BR9EV-00-00	NGK BR9EV 4PK (94701-00114)	2	
19	(95611-08650-00)	BOLT, STUD	8	
20	90201-08100-00	WASHER, PLATE	8	
21	95333-08600-00	NUT (6L2)	8	
22	90116-10132-00	BOLT, STUD	4	
23	90185-10030-00	NUT, SELF-LOCKING	4	
24	90201-10322-00	WASHER, PLATE	4	

Property of www.SmallEngineDiscount.com - Not for Resale

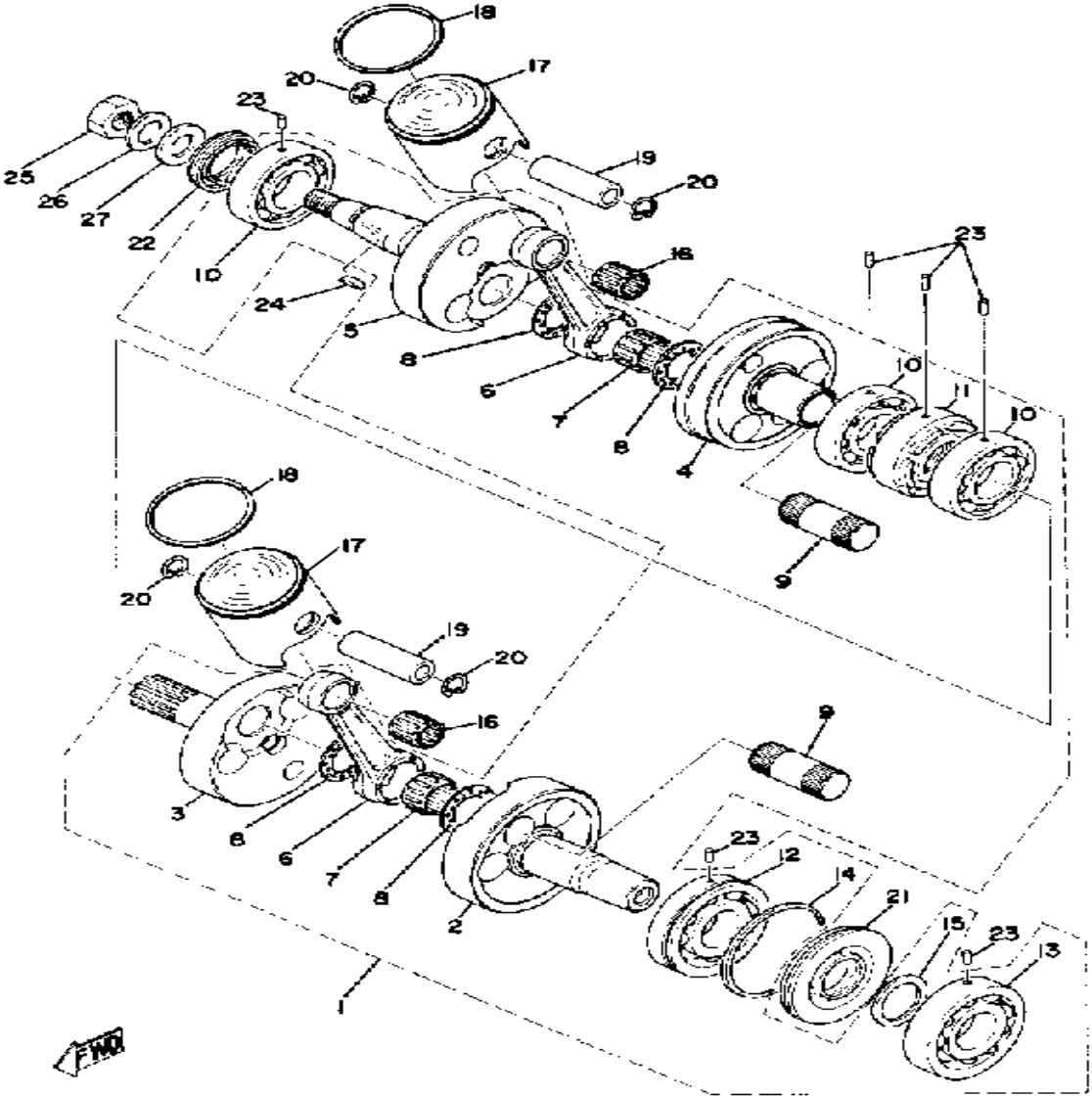
FAN CASE-AIR SHROUD



Ref. No.	Part Number	Description	Qty	Remarks
1	(838-12621-00-00)	CASE, FAN	1	
2	838-12622-00-00	CASE, FAN 2	1	
3	93604-12037-00	PIN, DOWEL	2	
4	(821-12633-00-00)	PLATE	1	
5	98580-05010-00	SCREW, PAN HEAD	2	
6	97011-06025-00	BOLT	5	
7	92995-06100-00	WASHER	5	
8	92901-06600-00	WASHER	5	
9	98506-06025-00	SCREW, PAN HEAD	6	
10	8A1-12651-00-00	AIR SHROUD, CYLINDER 1 ...	1	
11	(866-12652-01-00) (8A6-12652-00-00)	AIR SHROUD, CYLINDER 2 ...	1	
12	(8A1-12658-00-00)	DAMPER, AIR SHRD 1	1	
13	(8A1-12659-00-00)	DAMPER, AIR SHRD 2	1	
14	(8A1-12668-00-00)	DAMPER, AIR SHRD 3	1	
15	(8A1-12669-00-00)	DAMPER, AIR SHRD 4	1	
16	(8A1-12678-00-00)	DAMPER, SHROUD 5	1	
17	(90201-08568-00)	WASHER, PLATE	5	
18	98516-06012-00	SCREW, PAN HEAD	10	
19	92906-06100-00	WASHER, SPRING	10	
20	92906-06200-00	WASHER	10	
21	(838-12629-00-00)	EMBLEM	1	

Property of www.SmallEngineDiscount.com - Not for Resale

CRANK-PISTON



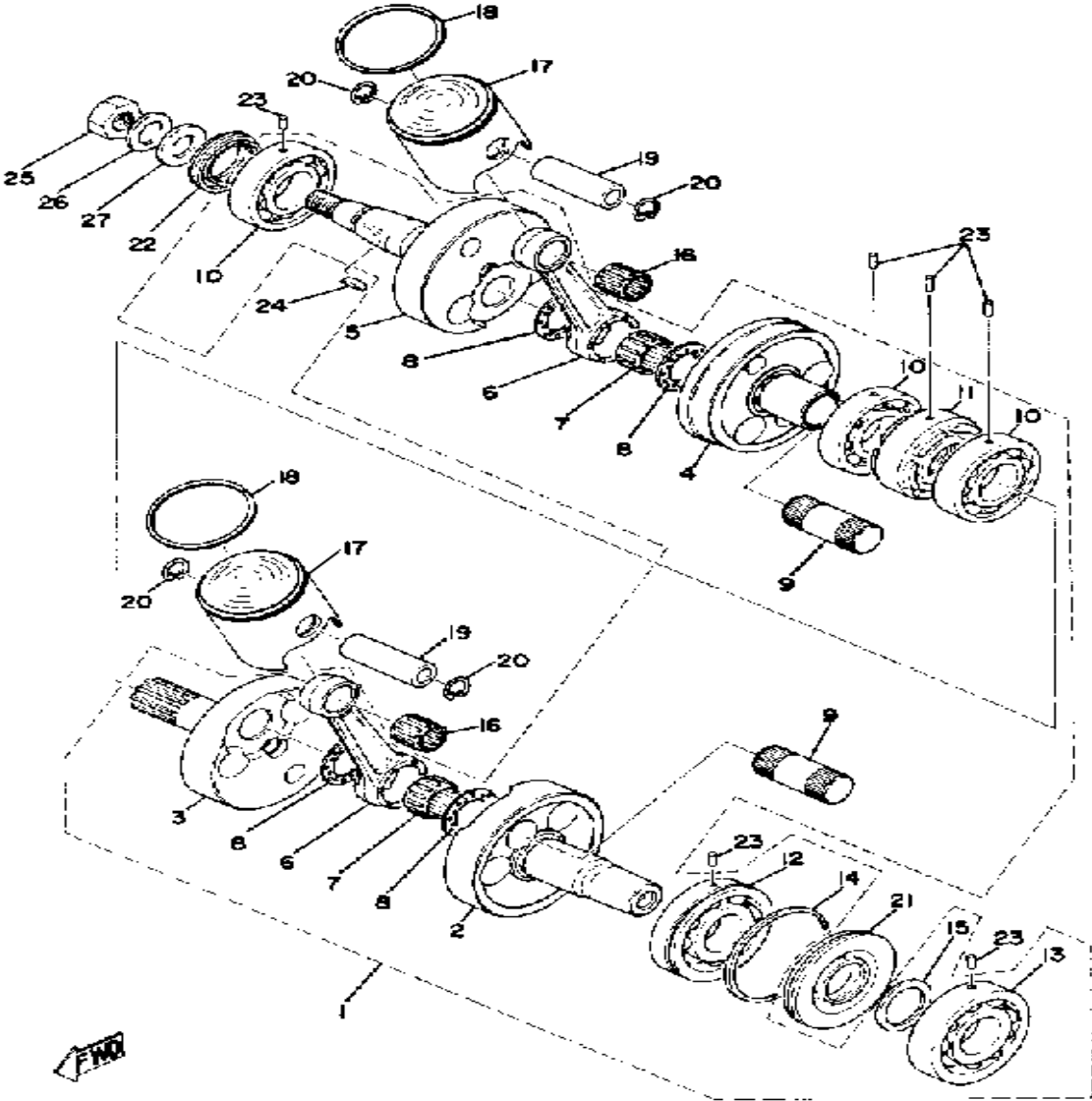
Ref. No.	Part Number	Description	Qty	Remarks
1	8A5-11400-00-00	CRANKSHAFT ASSEMBLY	1	
2	8A5-11412-00-00	. CRANK 1	1	
3	(821-11422-01-00)	CRANK 2	1	
4	(821-11432-01-00)	CRANK 3	1	
5	(821-11442-00-00)	CRANK 4	1	
6	8A7-11651-00-00	. ROD, CONNECTING (838-11651-00)	2	
7	93310-42497-00	. BEARING, CYLINDER.# 0	2	
8	90209-24073-00	. WASHER	4	
9	857-11681-00-00	. PIN, CRANK 1	2	
10	93306-20633-00	. BEARING	3	
11	8A5-11515-00-00	. SEAL, LABYRINTH 1	1	
12	93306-30612-00	. BEARING (B6306)	1	
13	93306-30625-00	. BEARING	1	
14	93440-78011-00	. CIRCLIP, OUTER	1	
15	90201-34683-00	. WASHER, PLATE (90201-33299-00)	1	
16	93310-218A6-00	BEARING	2	
17	(8A6-11636-01-00)	PISTON 2 O/S 0.0	2	ALTERNATE PART
	(8A6-11638-01-00)	PISTON 4 O/S 1.0	2	ALTERNATE PART
	8A5-11631-01-96	PISTON STD	2	
	8A5-11635-01-00	PISTON 1 O/S 0.25 (8A5-11635-00)	2	ALTERNATE PART
	8A5-11636-01-00	PISTON 2 O/S 0.50 (8A5-11636-00)	2	ALTERNATE PART
	8A5-11637-01-00	PISTON 3 O/S 0.75 (8A5-11637-00)	2	ALTERNATE PART
	8A5-11638-01-00	PISTON 4 O/S 1.0	2	ALTERNATE PART
	8A6-11631-01-96	PISTON STD	2	
	8A6-11635-01-00	PISTON 1 O/S 0.5	2	ALTERNATE PART

1	Deflection	0.05 mm (0.0019 in)
2	Deflection	0.05 mm (0.0019 in)
3	Width of assembled crankshaft measured value	5.6 ⁻⁰ _{-0.05} mm (2.205 ⁺⁰ _{-0.002} in)
4	Width of assembled crankshaft assembly measured value	174 ±0.1 mm (6.85 ±0.0039 in)

CONTINUED ON NEXT FRAME ➤

Property of www.SmallEngineDiscount.com - Not for Resale

CRANK-PISTON

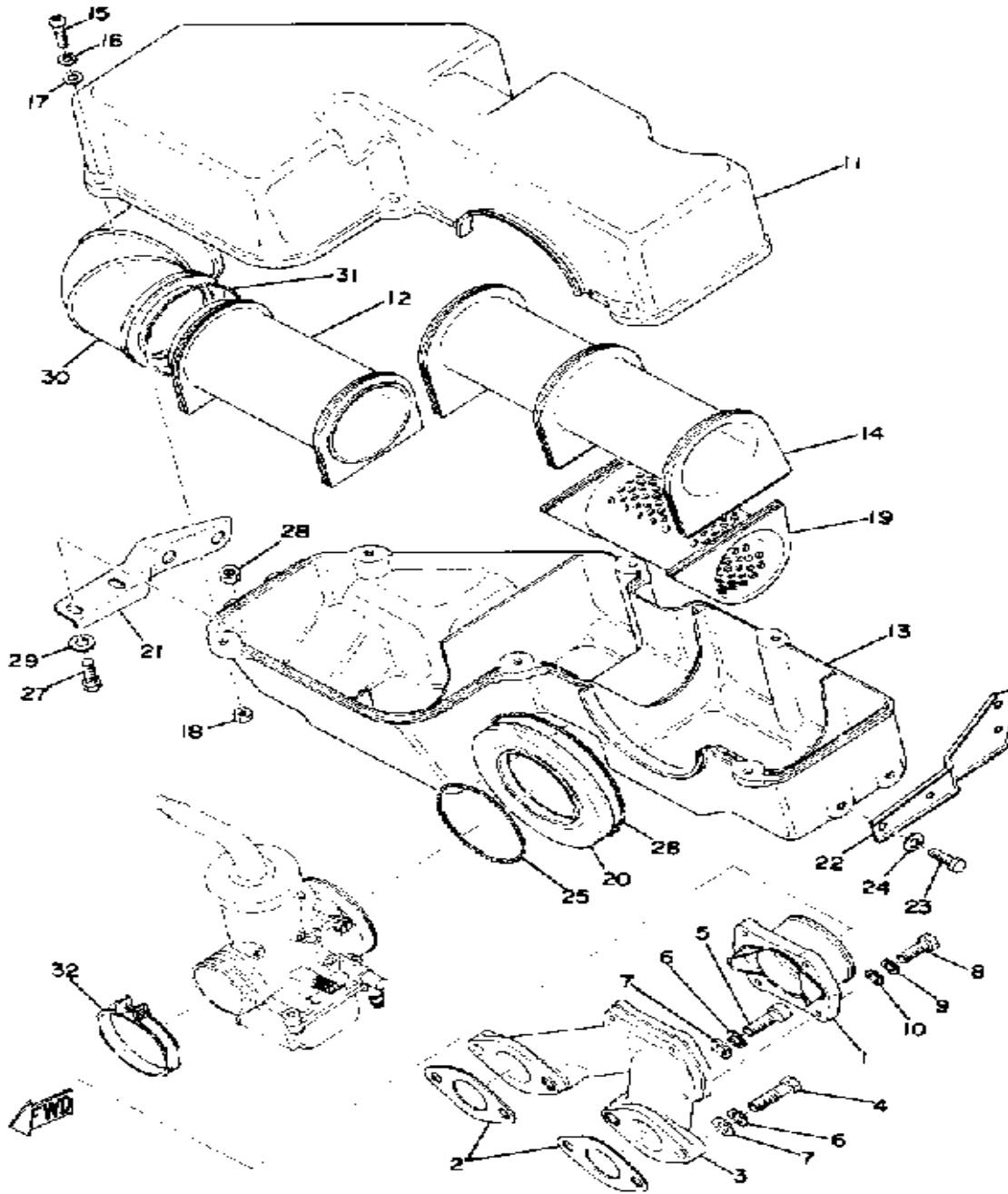


Ref. No.	Part Number	Description	Qty	Remarks
17	8A6-11637-01-00	PISTON 3 O/S 0.5	2	ALTERNATE PART
18	(846-11611-30-00)	RING, PISTON 3RD	2	ALTERNATE PART
	820-11611-00-00	RING, PISTON (STD)	2	
	820-11611-10-00	RING, PISTON (1ST O.S)	2	ALTERNATE PART
	820-11611-20-00	RING, PISTON (2ND O.S)	2	ALTERNATE PART
	820-11611-30-00	RING, PISTON 3RD	2	ALTERNATE PART
	820-11611-40-00	RING, PISTON 4TH	2	ALTERNATE PART
	846-11611-00-00	RING, PISTON	2	
	846-11611-10-00	RING, PISTON 1ST	2	ALTERNATE PART
	846-11611-20-00	RING, PISTON 2ND	2	ALTERNATE PART
	846-11611-40-00	RING, PISTON 4TH	2	ALTERNATE PART
19	168-11633-00-00	PIN, PISTON	2	
	818-11633-00-00	PIN, PISTON	2	
20	93450-20026-00	CIRCLIP	4	
21	93103-32095-00	OIL SEAL	1	
22	93103-32156-00	OIL SEAL	1	
23	93604-12037-00	PIN, DOWEL	4	
24	90280-05014-00	KEY, WOODRUFF	1	
25	90170-16182-00	NUT	1	
26	92901-16100-00	WASHER, SPRING	1	
27	90201-16247-00	WASHER, PLATE (807-11557-00)	1	

1	Deflection	0.05 mm (0.0019 in)
2	Deflection	0.05 mm (0.0019 in)
3	Width of assembled crankshaft measured value	5.6 ⁻⁰ _{-0.05} mm (2.205 ⁺⁰ _{-0.002} in)
4	Width of assembled crankshaft assembly measured value	174 ±0.1 mm (6.85 ±0.0039 in)

Property of www.SmallEngineDiscount.com - Not for Resale

INTAKE (EX340)

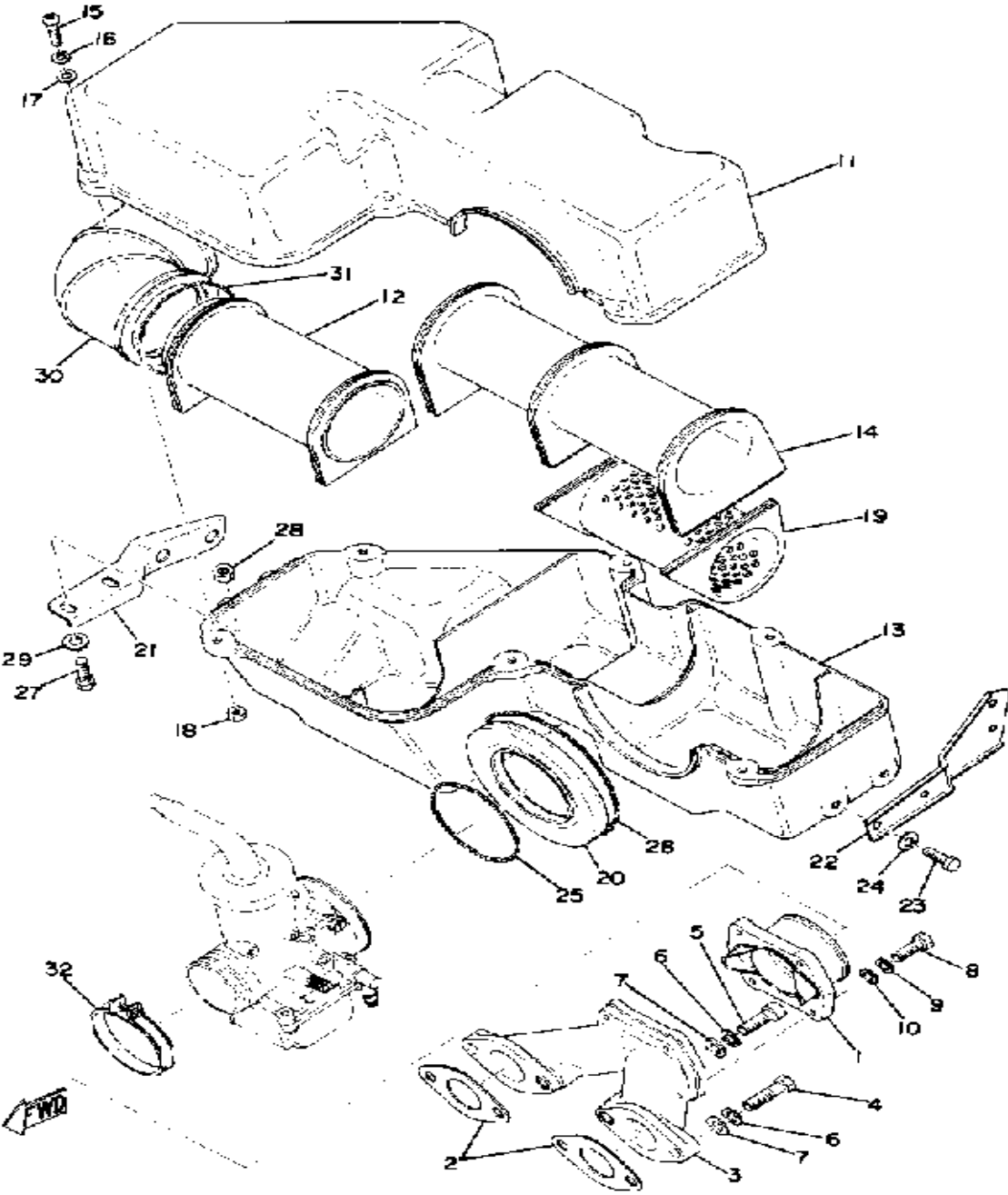


Ref. No.	Part Number	Description	Qty	Remarks
1	8A6-13555-00-00	MANIFOLD, INTAKE	1	
2	810-13563-00-00	GASKET	2	
3	(8A6-13565-00-00)	JOINT, CARBURETOR	1	
4	97313-08030-00	BOLT, HEXAGON	2	
5	91316-08025-00	BOLT, SOCKET HEAD	2	
6	92990-08100-00	WASHER, SPRING (92901-08100)	4	
7	92901-08600-00	WASHER	4	
8	97011-06025-00	BOLT	4	
9	92995-06100-00	WASHER	4	
10	92901-06600-00	WASHER	4	
11	8A5-14431-00-00	SILENCER, INTAKE 1	1	
12	8A5-14419-00-00	PIPE	1	
13	8A5-14441-00-00	SILENCER, INTAKE 2	1	
14	(8A5-14465-00-00)	PIPE	1	
15	98506-05020-00	SCREW, PAN HEAD	6	
16	92990-05100-00	WASHER, SPRING (92901-05100)	6	
17	92901-05600-00	WASHER	6	
18	95306-05600-00	NUT	6	
19	(8A6-14466-00-00)	PIPE	1	
20	8A5-14453-00-00	JOINT, AIR CLNR 1	1	
21	(8A5-14493-00-00)	STAY 1	1	
22	(8A5-14494-00-00)	STAY 2	1	
23	97013-06012-00	BOLT (661)	4	
24	92995-06100-00	WASHER	4	
25	90506-06083-00	SPRING, TENSION	1	
26	90506-06131-00	SPRING, TENSION	1	
27	97301-06014-00	BOLT, HEXAGON	2	

CONTINUED ON NEXT FRAME ►

Property of www.SmallEngineDiscount.com - Not for Resale

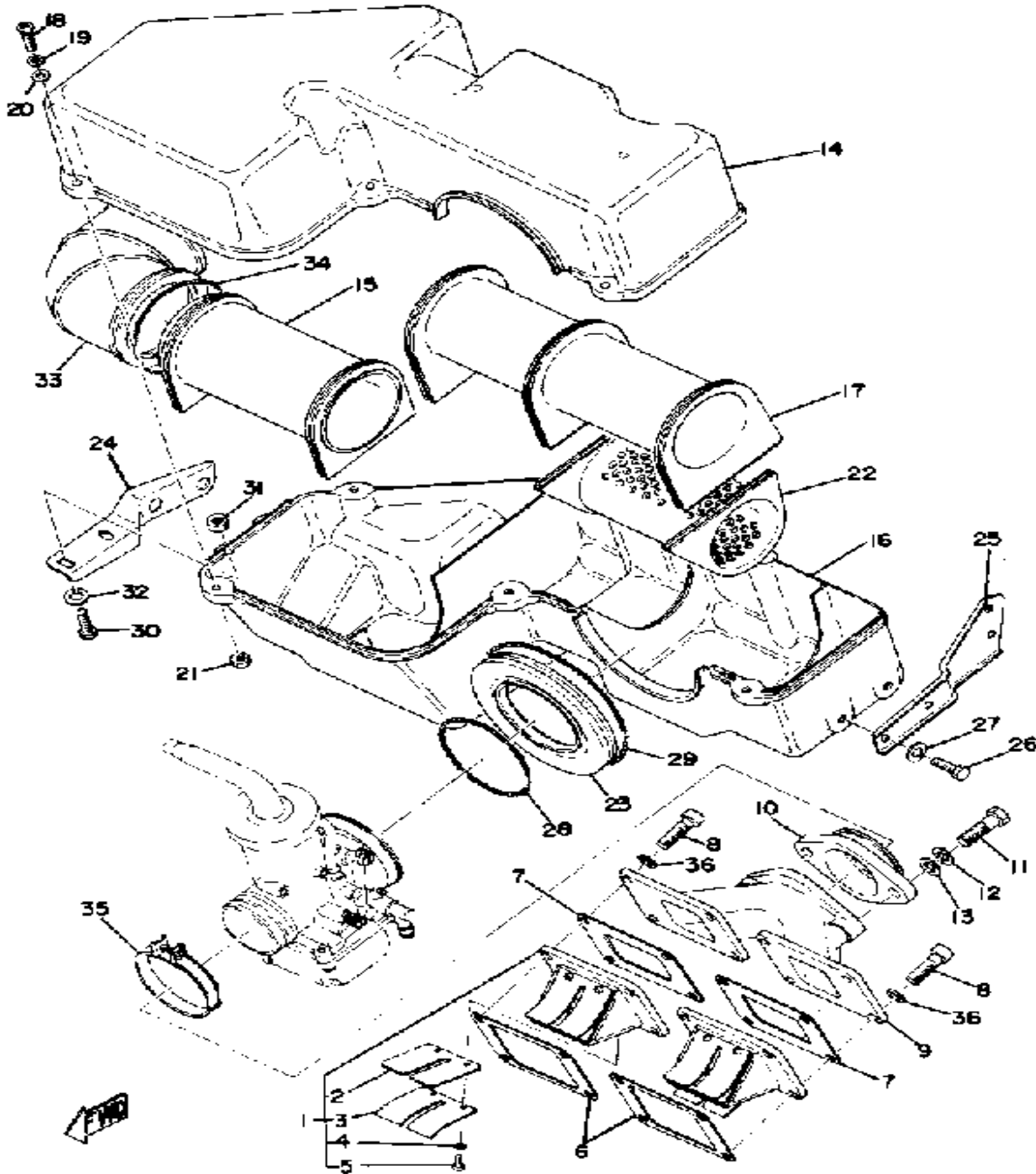
INTAKE (EX340)



Ref. No.	Part Number	Description	Qty	Remarks
28	95601-06100-00	NUT, U	2	
29	92990-06200-00	WASHER (92901-06200)	2	
30	8A5-14423-00-00	PIPE, SUCTION 1	1	
31	90506-06083-00	SPRING, TENSION	1	
32	86M-13575-00-00	BAND	1	

Property of www.SmallEngineDiscount.com - Not for Resale

INTAKE (EX440)

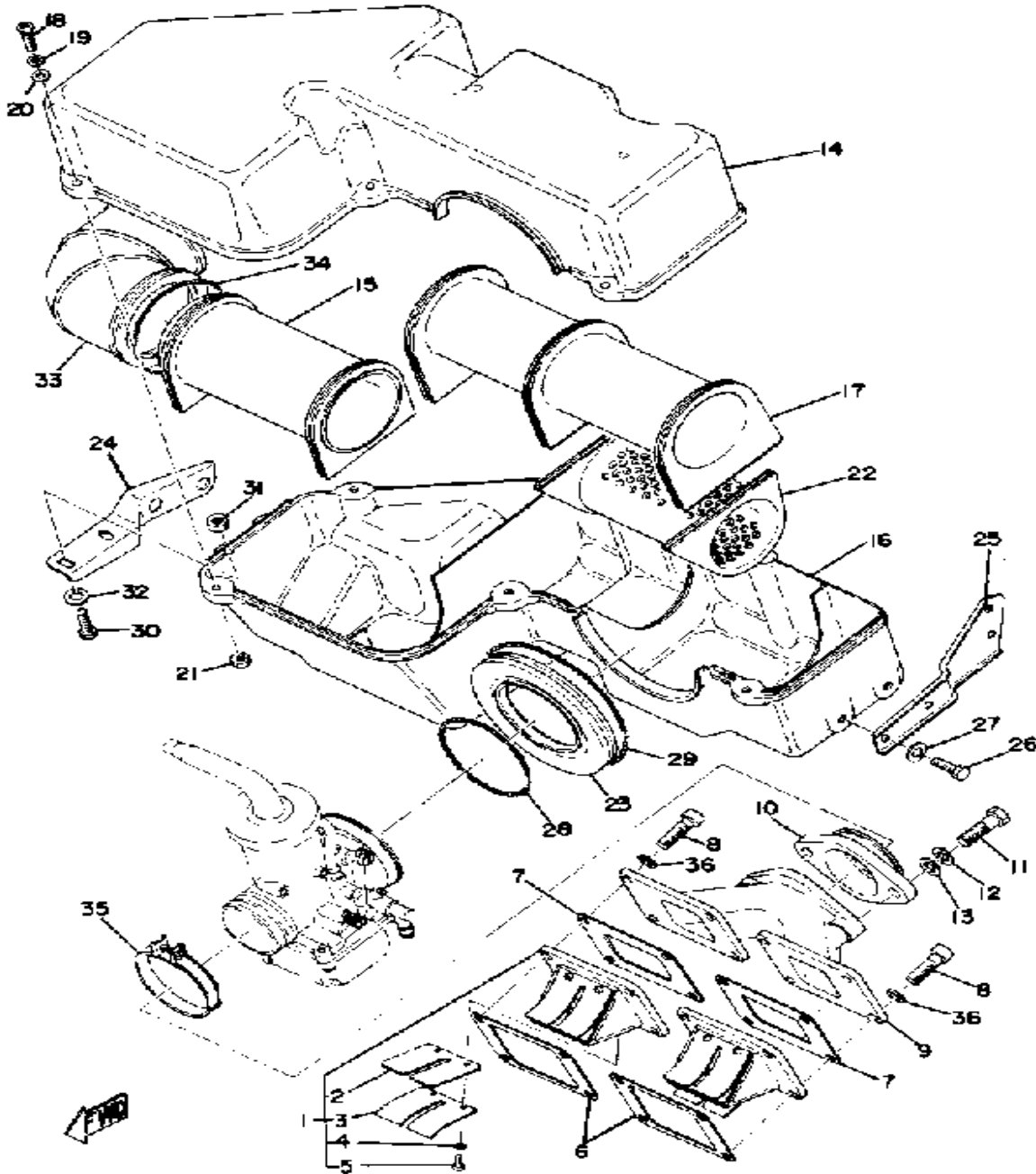


Ref. No.	Part Number	Description	Qty	Remarks
1	10V-13610-01-00	REED VALVE ASSEMBLY	2	
2	10V-13613-01-00	. REED, VALVE	4	
3	1UA-13616-00-00	. STOPPER REED VALVE	4	
4	92990-03100-00	. WASHER, SPRING	8	
5	98580-03008-00	. SCREW, PAN HEAD	8	
6	3TT-13621-00-00	GASKET, VALVE SEAT (311-13621-01)	2	
7	866-13563-00-00	GASKET	2	
8	91316-06025-00	BOLT	8	
9	(885-13565-09-00)	JOINT, CARBURETOR	1	
10	8A5-13555-00-00	MANIFOLD, INTAKE	1	
11	97001-08025-00	BOLT (1NV)	2	
12	92990-08100-00	WASHER, SPRING (92901-08100)	2	
13	92990-08200-00	WASHER (92901-08200)	2	
14	8A5-14431-00-00	SILENCER, INTAKE 1	1	
15	8A5-14419-00-00	PIPE	1	
16	8A5-14441-00-00	SILENCER, INTAKE 2	1	
17	(8A5-14465-00-00)	PIPE	1	
18	98506-05020-00	SCREW, PAN HEAD	6	
19	92990-05100-00	WASHER, SPRING (92901-05100)	6	
20	92901-05600-00	WASHER	6	
21	95306-05600-00	NUT	6	
22	(8A5-14466-01-00)	PIPE	1	S5-022
23	8A5-14453-00-00	JOINT, AIR CLNR 1	1	
24	(8A5-14493-00-00)	STAY 1	1	
25	(8A5-14494-00-00)	STAY 2	1	
26	97013-06012-00	BOLT (661)	4	
27	92995-06100-00	WASHER	4	

CONTINUED ON NEXT FRAME ➤

Property of www.SmallEngineDiscount.com - Not for Resale

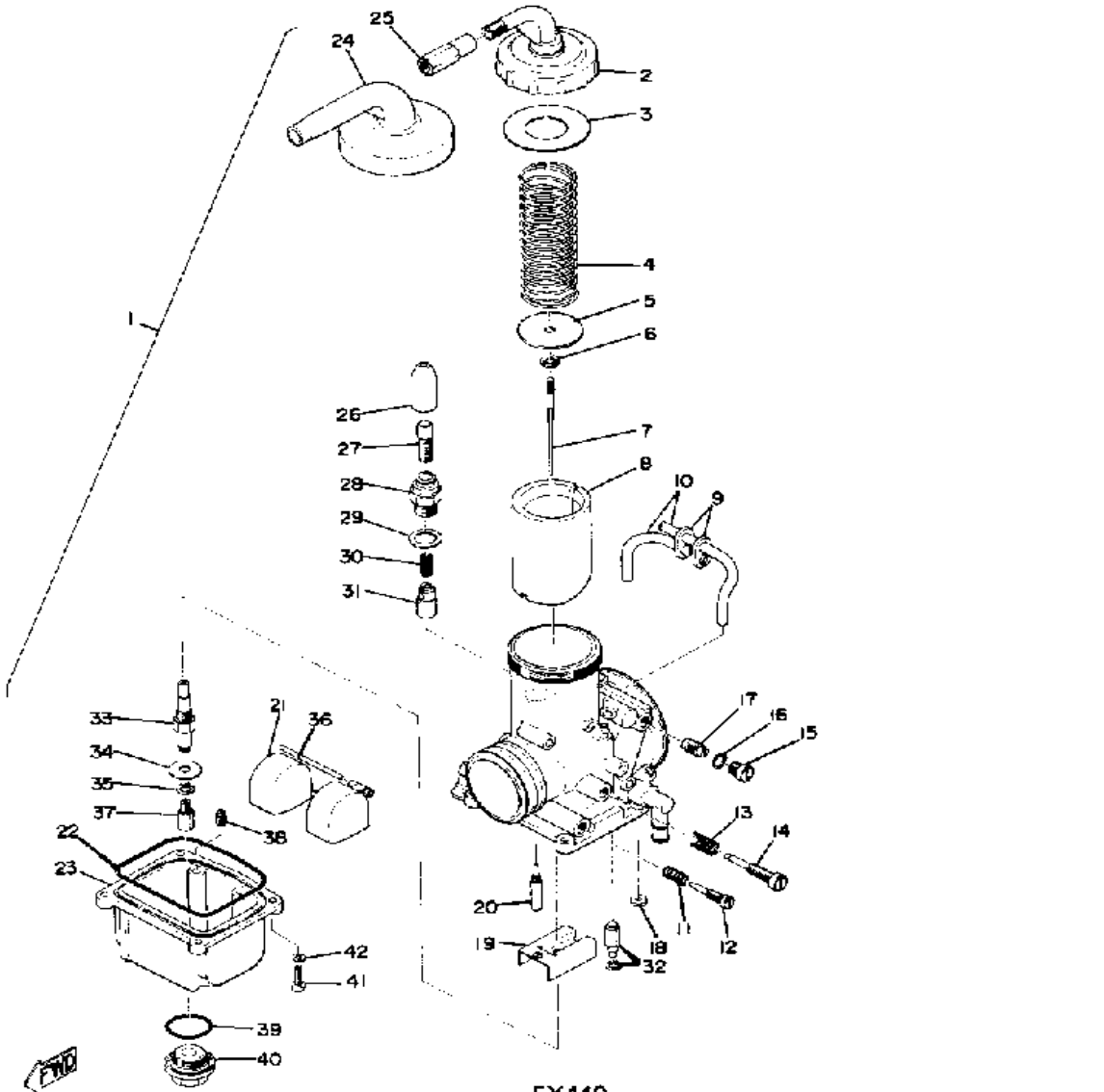
INTAKE (EX440)



Ref. No.	Part Number	Description	Qty	Remarks
28	90506-06083-00	SPRING, TENSION	1	
29	90506-06131-00	SPRING, TENSION	1	
30	97301-06014-00	BOLT, HEXAGON	2	
31	95601-06100-00	NUT, U	2	
32	92990-06200-00	WASHER (92901-06200)	2	
33	8A5-14423-00-00	PIPE, SUCTION 1	1	
34	90506-06083-00	SPRING, TENSION	1	
35	86M-13575-00-00	BAND	1	
36	92901-06600-00	WASHER	8	

Property of www.SmallEngineDiscount.com - Not for Resale

CARBURETOR



EX440

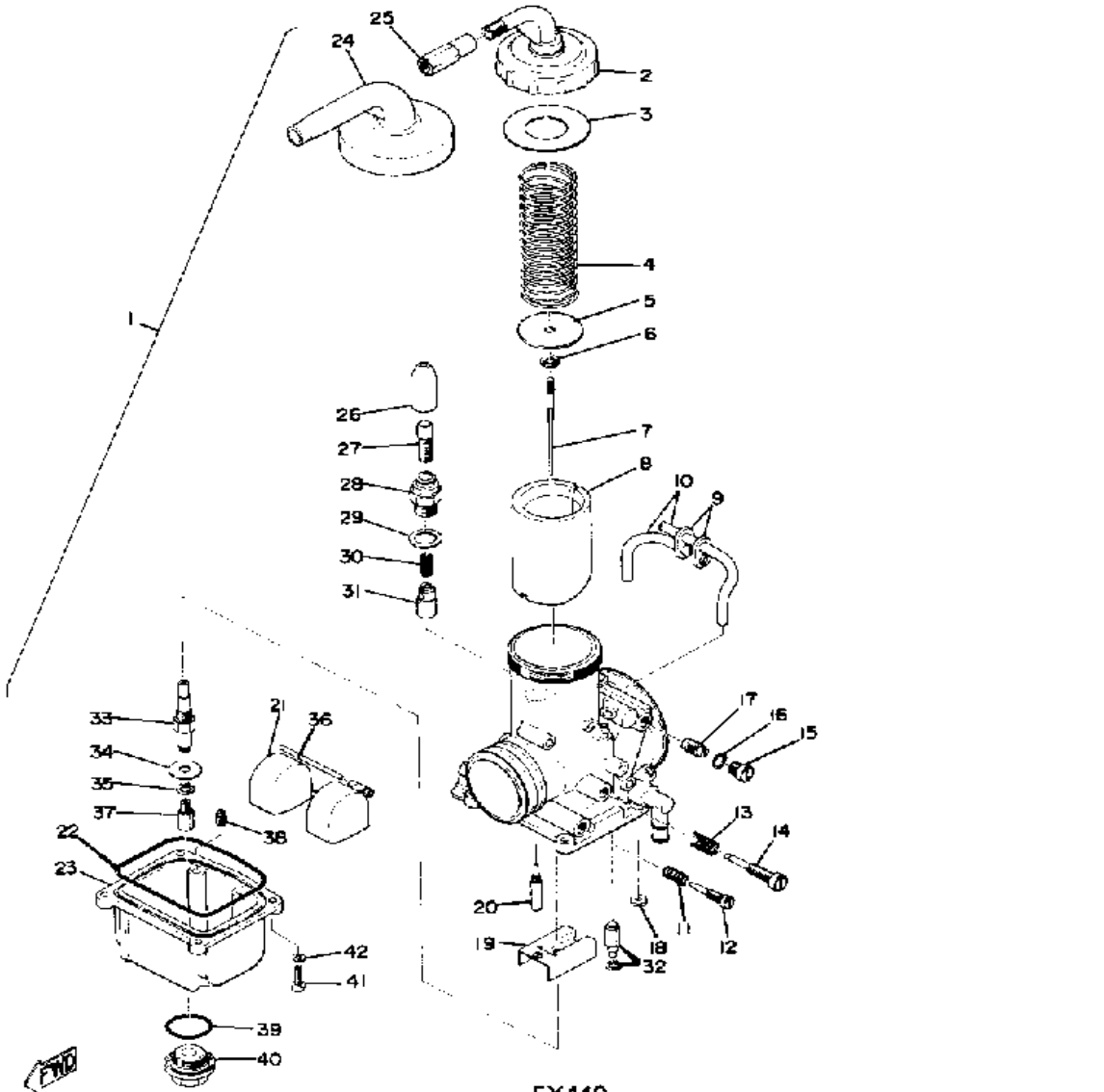
Jet Needle/Needle Jet/Cut Away	431102-4 / No. 6 / No. 2.5
Main Jet/Slow Jet/Air Screw (turns out)	No. 155 / ϕ / 1%
Idle Speed	1,500 rpm

Ref. No.	Part Number	Description	Qty	Remarks
1	(8A5-14101-00-00)	CARBURETOR ASSEMBLY 1	1	
	(8A6-14101-00-00)	CARBURETOR ASSEMBLY 1	1	
2	8A6-14158-00-00	. TOP, MIXING CHAMBER	1	
3	(8A6-14126-01-00)	GASKET	1	
4	(90501-16401-00)	SPRING, COMPRESSION	1	
5	(8A6-14146-00-00)	PLATE	1	
6	(371-14929-60-00)	CLIP BAR	1	
7	(8A6-14916-00-00)	NEEDLE	1	CLIP POSITION #3 GROOVE
	(8A6-14916-00-00)	NEEDLE	1	CLIP POSITION #4 GROOVE
8	8A6-14970-01-00	. VALVE, THROTTLE	1	
9	(8A6-14998-00-00)	BUSH	2	
10	(8A6-14994-01-00)	NET, FILTER	2	
11	90501-07398-00	. SPRING, COMPRESSION	1	
12	(8A6-14923-00-00)	SCREW, PILOT	1	
13	(90501-10399-00)	SPRING, COMPRESSION	1	
14	(8A6-14922-00-00)	SCREW, THROTTLE	1	
15	(845-14567-00-00)	SCREW	1	
16	838-14597-00-00	. WASHER	1	
17	(888-14516-00-00)	JET, MAIN #1 0	1	
	(888-14516-90-00)	JET, MAIN #1 0	1	
18	(8A6-14147-00-00)	O-RING	1	
19	(8A6-14919-01-00)	CLIP	1	
20	(8A6-14948-05-00)	JET	1	
	(8A6-14948-06-00)	JET	1	
	8A6-14948-07-00	. JET	1	
	8A6-14948-08-00	. JET	1	
	8A6-14948-09-00	. JET	1	

CONTINUED ON NEXT FRAME ►

Property of www.SmallEngineDiscount.com - Not for Resale

CARBURETOR



EX440

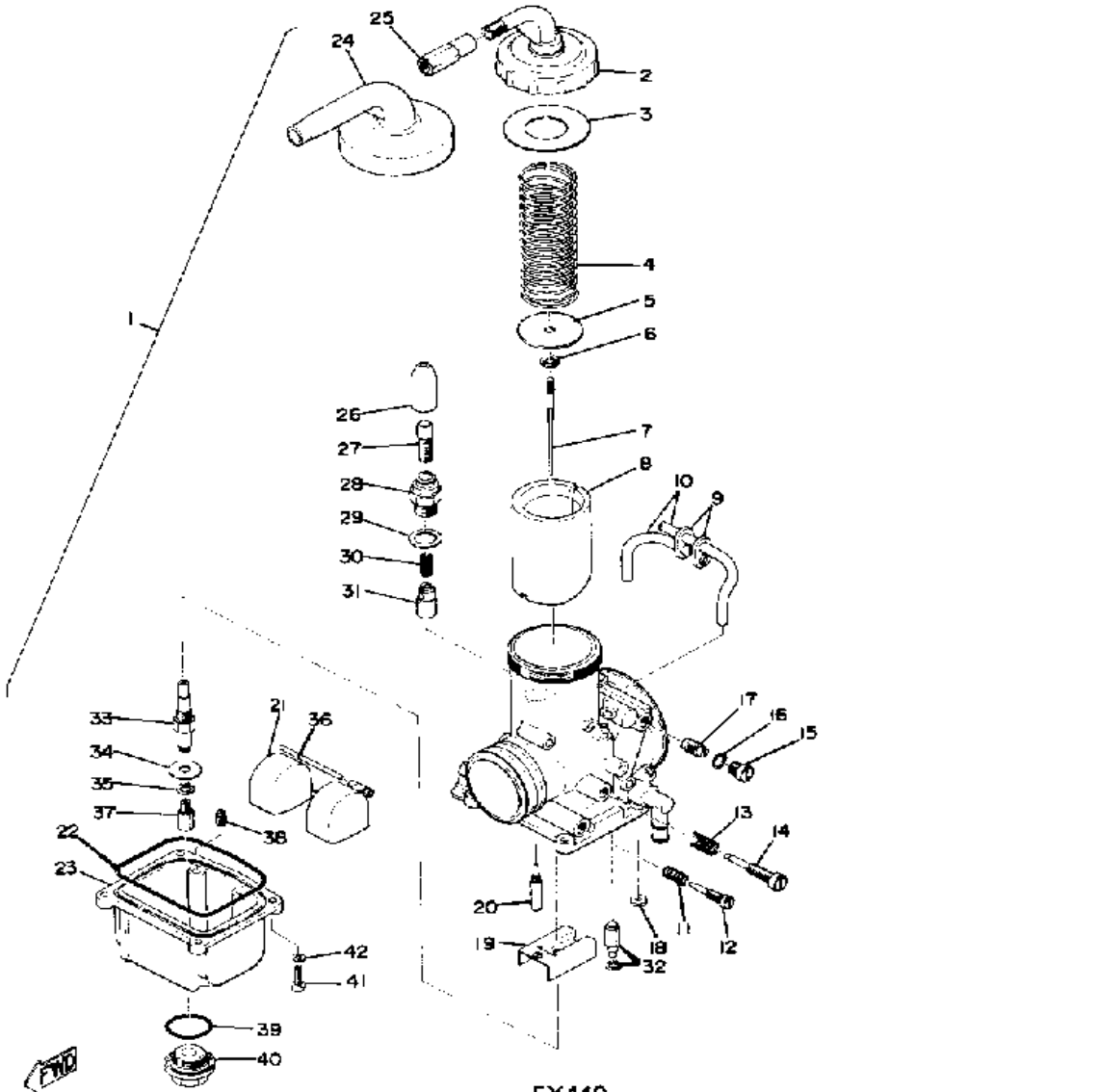
Jet Needle/Needle Jet/Cut Away	431102-4 / No. 6 / No. 2.5
Main Jet/Slow Jet/Air Screw (turns out)	No. 155 / φ / 1%
Idle Speed	1,500 rpm

Ref. No.	Part Number	Description	Qty	Remarks
21	(8A6-14985-00-00)	FLOAT	1	
22	93210-72310-00	. O-RING	1	
23	(8A6-14980-00-00)	BODY, FLOAT CHAMBER	1	
24	(8A6-14169-00-00)	CAP	1	
25	(8A6-14576-00-00)	ADJUSTER, CABLE	1	
26	(8A6-14967-00-00)	COVER	1	
27	8A6-14977-00-00	. SHAFT, STARTER LEVER ...	1	
28	8A6-14969-00-00	. CAP	1	
29	90201-12581-00	. WASHER, PLATE	1	
30	90501-07400-00	. SPRING, COMPRESSION	1	
31	371-14993-60-00	. PLUNGER, STARTER	1	
32	8E7-14546-01-00	. VALVE, NEEDLE	1	
33	(8A6-14947-01-00)	JET, NEEDLE	1	
34	(90201-07580-00)	WASHER, PLATE	1	
35	(8A6-14159-00-00)	CLIP	1	
36	(371-14548-60-00)	PIN, FLOAT ARM	1	
37	(8A6-14516-90-00)	JET, MAIN #1 0	1	S5-025
	(8A6-14516-95-00)	JET, MAIN #1 5	1	S5-025
	(8A6-14517-05-00)	JET, MAIN #2 5	1	S5-025
	(8A6-14517-10-00)	JET, MAIN #2 0	1	S5-025
	(8A6-14517-15-00)	JET, MAIN #2 5	1	S5-025
	(8A6-14517-20-00)	JET, MAIN #2 0	1	S5-025
	(8A6-14517-25-00)	JET, MAIN #2 5	1	S5-025
	8A6-14516-25-00	. JET, MAIN #1 5	1	S5-032
	8A6-14516-30-00	. JET, MAIN #1 0	1	
	8A6-14516-35-00	. JET, MAIN #1 5	1	
	8A6-14516-40-00	. JET, MAIN #1 0	1	
	8A6-14516-45-00	. JET, MAIN #1 5	1	
	8A6-14516-50-00	. JET, MAIN #1 0	1	

CONTINUED ON NEXT FRAME ➤

Property of www.SmallEngineDiscount.com - Not for Resale

CARBURETOR



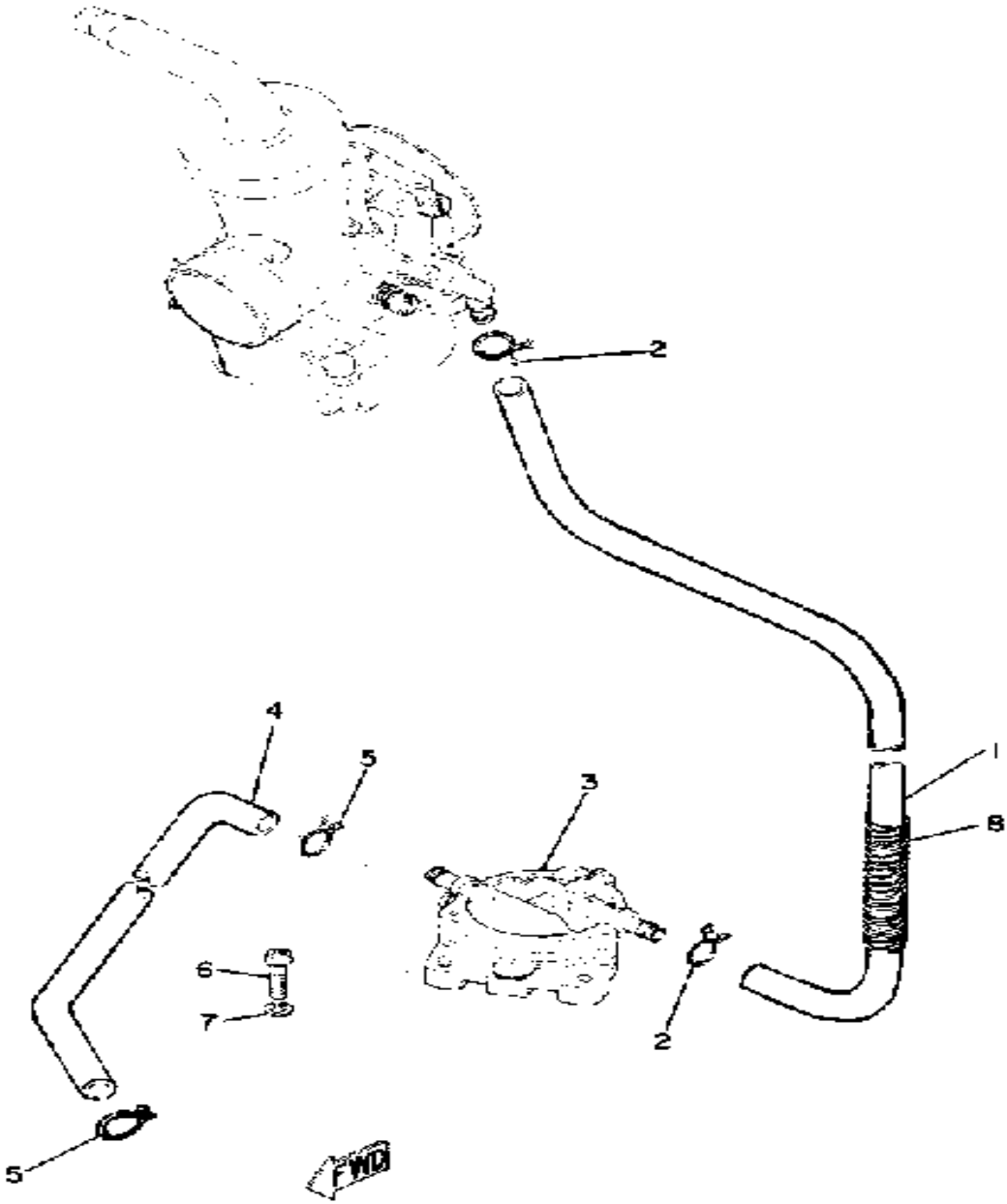
Ref. No.	Part Number	Description	Qty	Remarks
37	8A6-14516-55-00	. JET, MAIN #1 5	1	
	8A6-14516-60-00	. JET, MAIN #1 0	1	
	8A6-14516-65-00	. JET, MAIN #1 5	1	
	8A6-14516-70-00	. JET, MAIN #1 0	1	
	8A6-14516-75-00	. JET, MAIN #1 5	1	
	8A6-14516-80-00	. JET, MAIN #1 0	1	
	8A6-14516-85-00	. JET, MAIN #1 5	1	S5-025
	8A6-14517-00-00	. JET, MAIN #2 0	1	S5-025
	8A6-14517-30-00	. JET, MAIN #2 0	1	S5-025
38	8A6-14949-39-00	. JET, PILOT AIR	1	
39	93210-19309-00	. O-RING	1	
40	8M7-14992-00-00	. ROD	1	
41	98503-04014-00	. SCREW, PAN HEAD	4	
42	92901-04100-00	. WASHER, SPRING	4	

Jet Needle/Needle Jet/Cut Away	431102-4 / No. 6 / No. 2.5
Main Jet/Slow Jet/Air Screw (turns out)	No. 155 / ϕ / 1%
Idle Speed	1,500 rpm

Property of www.SmallEngineDiscount.com - Not for Resale

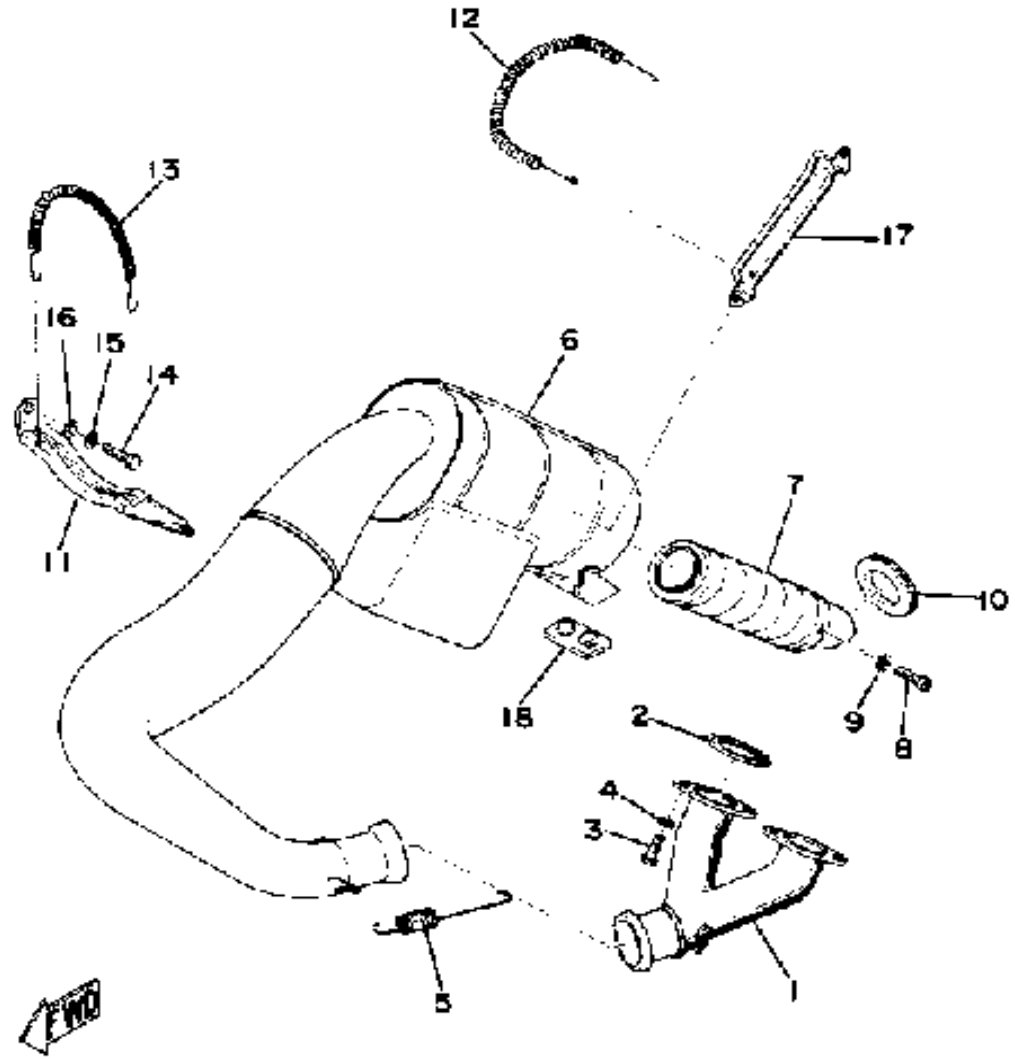
PIPING

Ref. No.	Part Number	Description	Qty	Remarks
1	90446-11290-00	HOSE	1	
2	90467-11009-00	CLIP	2	
3	8A5-24410-02-00	FUEL PUMP ASSEMBLY	1	
4	90445-10209-00	HOSE	1	
5	90467-09006-00	CLIP	2	
6	98580-06018-00	SCREW, PAN HEAD (N15)	2	
7	92995-06100-00	WASHER	2	
8	806-24328-00-00	PROTECTOR, PIPE	1	



Property of www.SmallEngineDiscount.com - Not for Resale

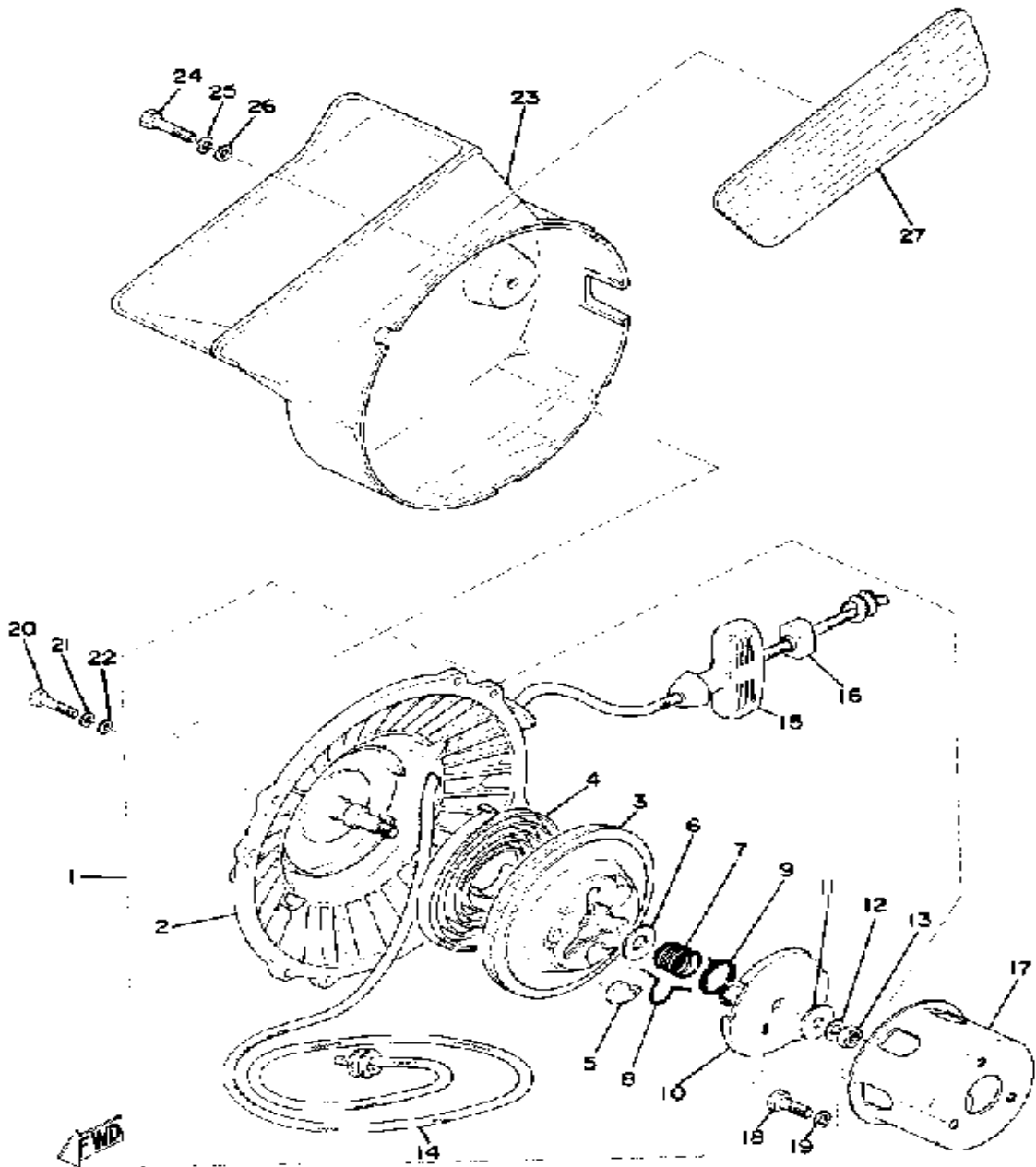
EXHAUST



Ref. No.	Part Number	Description	Qty	Remarks
1	8A5-14610-00-00	EXHAUST PIPE ASSEMBLY L	1	
2	821-14613-01-00	GASKET, EXHAUST PIPE	2	
3	97013-08025-00	BOLT	4	
4	92990-08100-00	WASHER, SPRING (92901-08100)	4	
5	821-14773-00-00	SPRING, MUFFLER	2	
6	(8G7-14710-00-00) (8H6-14710-00-00)	MUFFLER ASSEMBLY L	1	
7	8A5-14753-00-00	SILENCER, EXHAUST	1	
8	98580-05010-00	SCREW, PAN HEAD	1	
9	92990-05100-00	WASHER, SPRING (92901-05100)	1	
10	865-14718-01-00	PROTECTOR, MUFF 1 (865-14718-00)	1	
11	8A5-14771-00-00	STAY, MUFFLER 1	1	
12	90506-16130-00	SPRING, TENSION	1	
13	90506-16076-00	SPRING, TENSION	1	
14	97313-08018-00	BOLT, HEXAGON	1	
15	92990-08100-00	WASHER, SPRING (92901-08100)	1	
16	92901-08600-00	WASHER	1	
17	(8A5-14772-01-00)	STAY, MUFFLER 2	1	
18	8A5-14728-02-00	PROTECTOR, MUFFLER 2	1	

Property of www.SmallEngineDiscount.com - Not for Resale

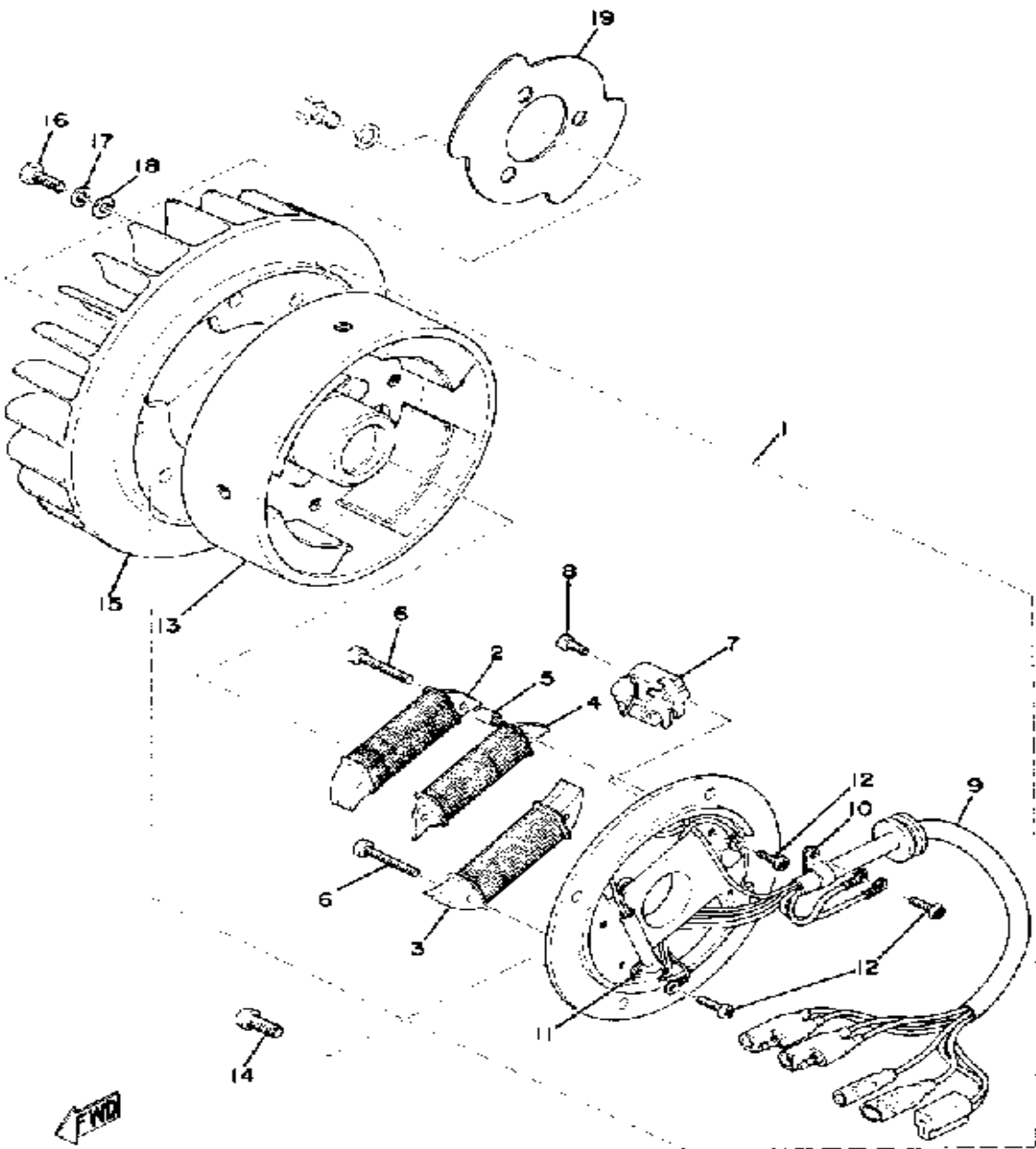
STARTER



Ref. No.	Part Number	Description	Qty	Remarks
1	(8A5-15710-00-00)	STARTER ASSEMBLY	1	
2	8A1-15711-00-00	. CASE, STARTER	1	
3	857-15714-00-00	. DRUM, SHEAVE	1	
4	8Y0-15713-00-00	. SPRING, STARTER	1	
5	616-15741-01-00	. PAWL, DRIVE	3	
6	(802-15726-00-00)	WASHER, FLAT	1	
7	626-15715-01-00	. SPRING, DRIVE PLATE (807-15715-00)	1	
8	811-15784-00-00	. SPRING, RETURN	3	
9	811-15734-00-00	. SPRING, RETURN	1	
10	811-15716-00-00	. PLATE, DRIVE	1	
11	807-15726-01-00	. WASHER, FLAT	1	
12	92990-08100-00	. WASHER, SPRING (92901-08100)	1	
13	95311-05700-00	. NUT	1	
14	857-15751-00-00	. WIRE, STARTER	1	
15	807-15755-00-00	. HANDLE, STARTER	1	
16	(8A1-15758-00-00)	GUIDE, ROPE	1	
17	8A1-15723-00-00	PULLEY, STARTER	1	
18	97313-08018-00	BOLT, HEXAGON	3	
19	92990-08100-00	WASHER, SPRING (92901-08100)	3	
20	97016-06020-00	BOLT	4	
21	92906-06100-00	WASHER, SPRING	4	
22	92906-06600-00	WASHER	4	
23	8A5-15471-00-00	DUCT, AIR	1	
24	97026-06012-00	BOLT	2	
25	92995-06100-00	WASHER	2	
26	90201-06067-00	WASHER, PLATE	2	
27	(8A5-15472-00-00)	SEAL, AIR DUCT	1	

Property of www.SmallEngineDiscount.com - Not for Resale

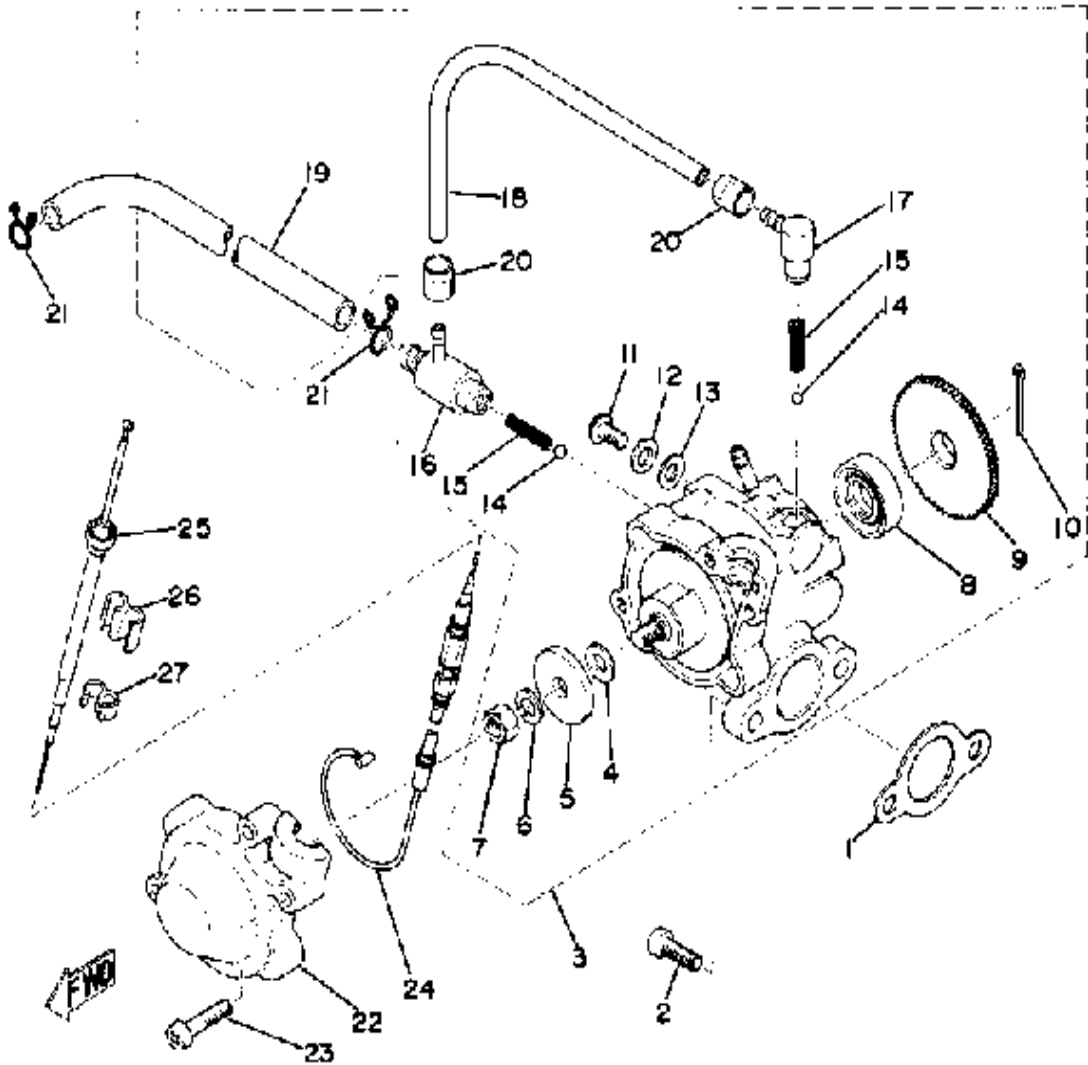
C - D - I - MAGNETO



Ref. No.	Part Number	Description	Qty	Remarks
1	(8A5-85500-10-00)	CDI MAGNETO ASSEMBLY ...	1	
2	(99999-00850-00)	CHARGE COIL	1	
3	(8A5-81313-10-00)	COIL, LIGHTING 1	1	
4	(8A5-81314-10-00)	COIL, LIGHTING 2	1	
5	647-81318-10-00	. SPACER	2	
6	98501-05035-00	. SCREW, PAN HEAD	4	
7	(888-85543-10-00)	COIL PULSER	2	
8	110-81346-21-00	. SCREW, PAN HEAD	4	
9	(8A5-85515-10-00)	LEAD WIRE ASSEMBLY	1	
10	109-81328-11-00	. CLAMP	1	
11	(363-85528-10-00)	CLAMP, LEAD	2	
12	98580-04008-00	. SCREW, PAN HEAD	3	
13	(8A5-85550-10-00)	ROTOR ASSEMBLY	1	
14	98503-06014-00	SCREW, PAN HEAD (92501-06015)	4	
15	838-12611-00-00	FAN	1	
16	90101-06127-00	BOLT	6	
17	92995-06100-00	WASHER	6	
18	90201-06M08-00	WASHER, PLATE	6	
19	(8A5-81362-00-00)	COVER, HOLE	1	
2-1	888-81318-10-00	.. SPACER	2	
2-2	888-85541-10-00	.. COIL, CHARGE	1	

Property of www.SmallEngineDiscount.com - Not for Resale

OIL PUMP

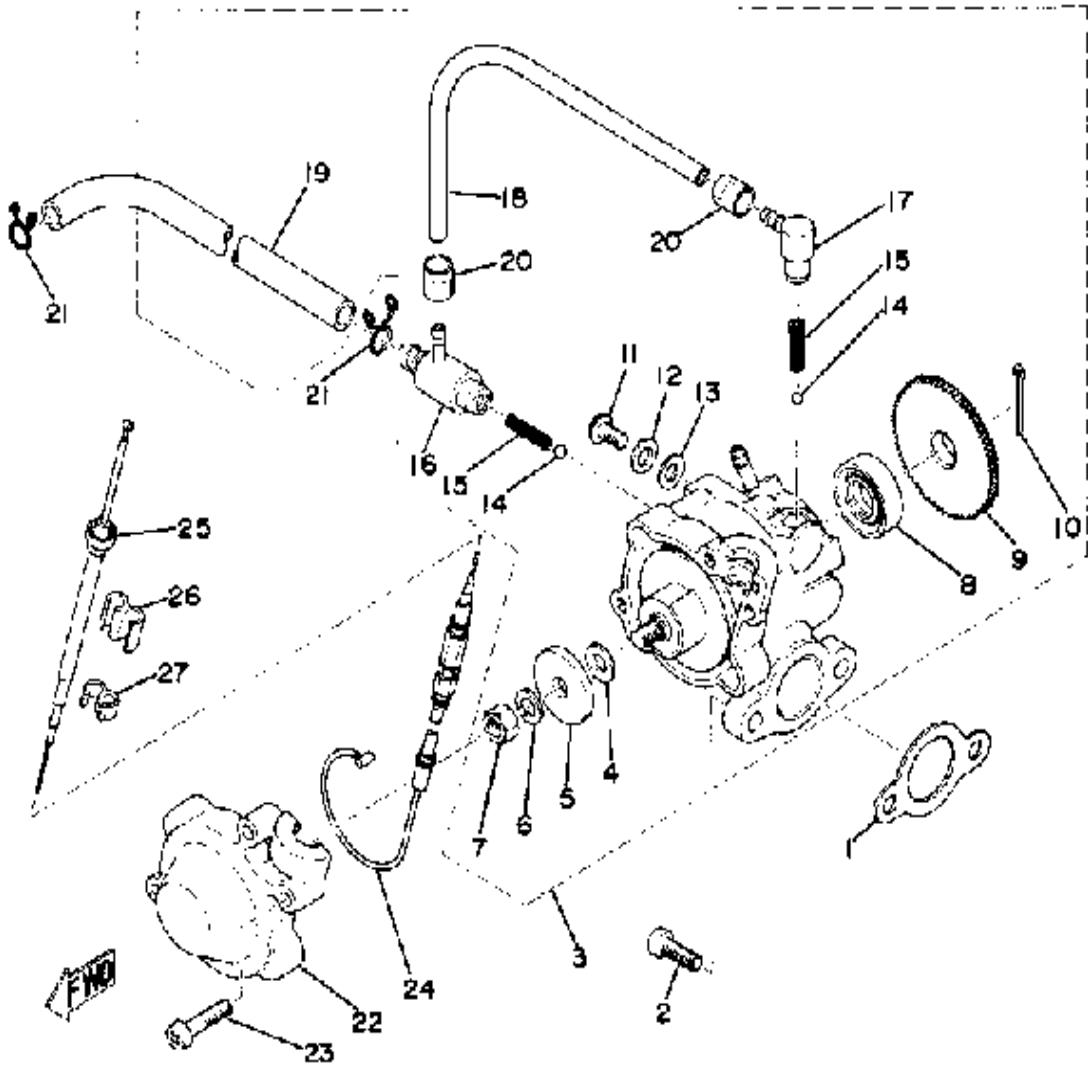


Ref. No.	Part Number	Description	Qty	Remarks
1	3MT-13116-00-00	GASKET, PUMP CASE	1	
2	98580-05016-00	SCREW, PAN HEAD	2	
3	(8E7-13101-01-00)	OIL PUMP ASSEMBLY	1	
	(8E8-13101-01-00)	OIL PUMP ASSEMBLY	1	
4	137-13137-00-03	. SHIM (0.3T)	1	
	137-13137-00-05	. SHIM (0.5T)	1	
	137-13137-00-10	. SHIM (1.0T)	1	
5	137-13138-01-00	. PLATE, ADJUSTING	1	
6	92990-05100-00	. WASHER, SPRING (92901-05100)	1	
7	95380-05600-00	. NUT	1	
8	(93102-10137-00)	OIL SEAL, SD-TYPE	1	
9	(137-13128-00-00)	PLATE, STARTER	1	
10	91401-12018-00	. PIN, COTTER	1	
11	90157-04009-00	. SCREW, PAN HEAD	1	
12	92901-04600-00	. WASHER	1	
13	90430-04004-00	. GASKET	1	
14	93505-32002-00	. BALL	2	
15	90501-02018-00	. SPRING, COMPRESSION	2	
16	(8A5-13552-00-00)	NOZZLE	1	
17	353-13552-01-00	. NOZZLE	1	
18	90445-05019-00	. HOSE	1	
19	(90445-09265-00)	HOSE	1	
20	90468-02033-00	. CLIP	2	
21	90467-09005-00	CLIP, SCISSOR	2	
22	8A5-13146-01-00	COVER, ADJUST PULLEY	1	
23	98506-04018-00	SCREW, PAN HEAD	3	
24	8A5-26320-02-00	PUMP CABLE ASSEMBLY (8GG6-26320-00)	1	

CONTINUED ON NEXT FRAME ►

Property of www.SmallEngineDiscount.com - Not for Resale

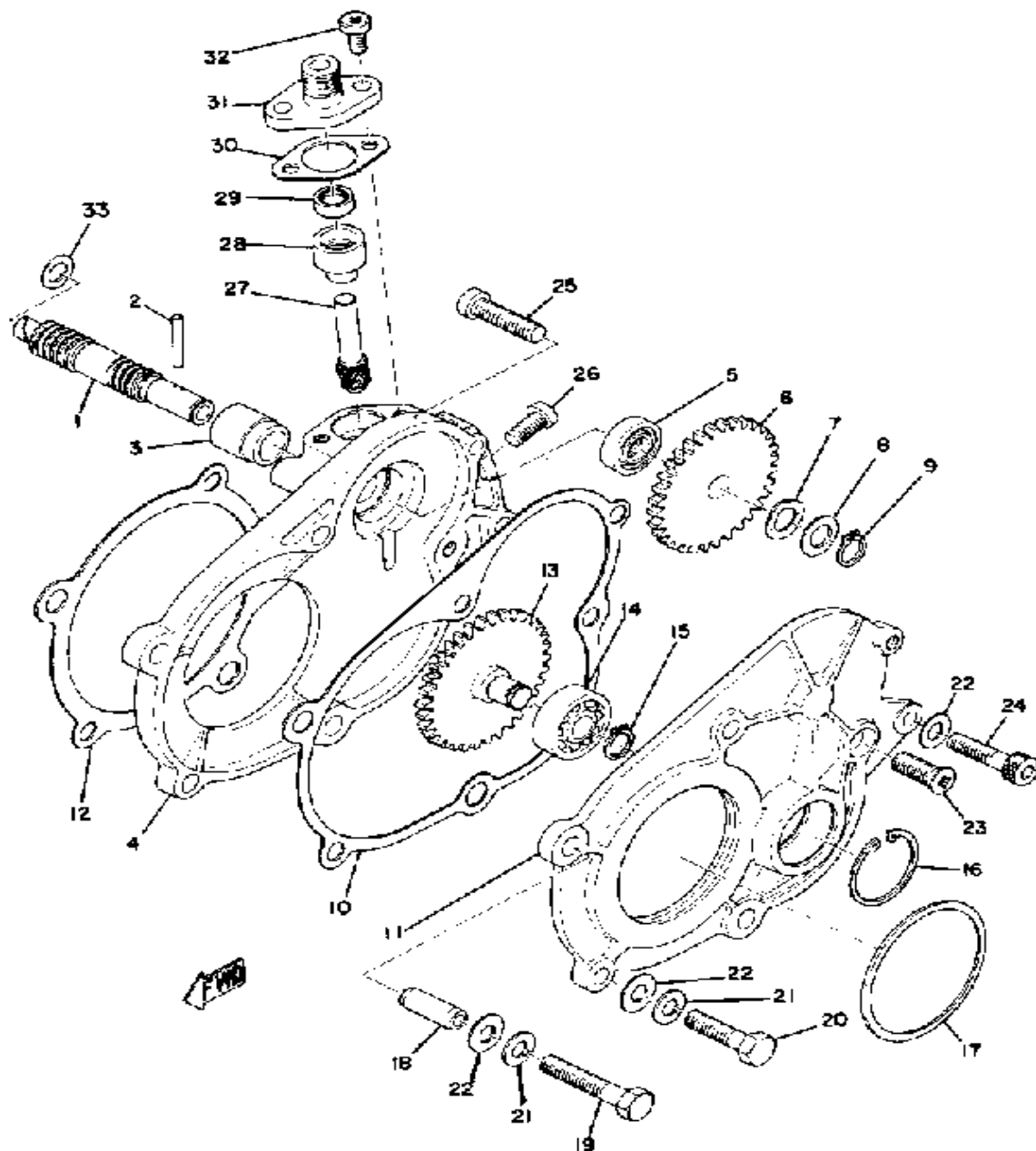
OIL PUMP



Ref. No.	Part Number	Description	Qty	Remarks
25	(8A5-26342-00-00)	BOOT, CABLE	1	
26	861-82361-00-00	CLAMP, CORD	2	
27	90468-15020-00	CLIP	1	

Property of www.SmallEngineDiscount.com - Not for Resale

PUMP DRIVE GEAR

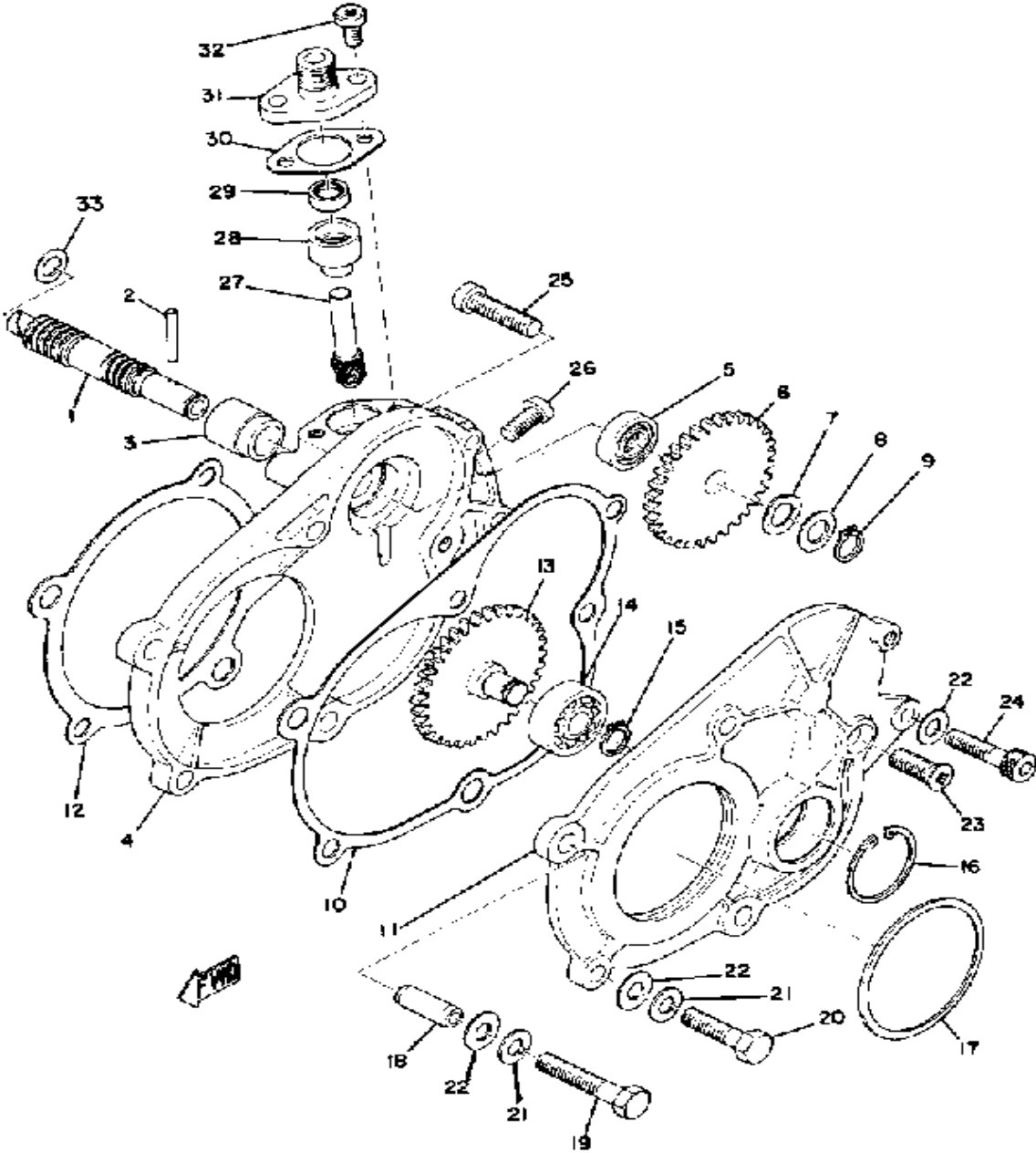


Ref. No.	Part Number	Description	Qty	Remarks
1	821-13175-00-00	SHAFT, WORM	1	
	866-13175-00-00	SHAFT, WORM	1	
2	93603-22028-00	PIN, DOWEL	1	
3	821-13176-00-00	METAL, WORM SHAFT OUTER	1	
4	(8A5-15416-00-00)	COVER, OIL PUMP	1	
5	93101-10090-00	OIL SEAL	1	
6	821-13188-00-00	GEAR, DRIVE (32T)	1	
7	90206-11016-00	WASHER, WAVE	1	
8	137-13148-00-00	PLATE, CAM THRUST	1	
9	99009-10400-00	CIRCLIP	1	
10	859-15466-00-00	GASKET 2	1	
11	838-15426-00-00	COVER, OIL PUMP R	1	
12	838-15456-00-00	GASKET, O/PMP CVR 1	1	
13	(821-13179-00-00)	GEAR, IDLE	1	
14	93306-00002-00	BEARING (B6000RS)	1	
15	99009-10400-00	CIRCLIP	1	
16	93420-26024-00	CIRCLIP, R-TYPE (R-26)	1	
17	(838-13119-00-00)	SEAL, GREASE	1	
18	91810-18022-00	PIN, DOWEL	2	
19	97013-06035-00	BOLT (1TL)	2	
20	97011-06025-00	BOLT	2	
21	92995-06100-00	WASHER	4	
22	92990-06600-00	WASHER	5	
23	98701-06014-00	SCREW, FLAT HEAD	1	
24	91316-06025-00	BOLT	1	
25	98511-06025-00	SCREW PAN HEAD	1	
26	98580-06012-00	SCREW, PAN HEAD (92501-06012)	1	
27	813-17841-00-00	GEAR, DRIVEN (10T)	1	

CONTINUED ON NEXT FRAME ►

Property of www.SmallEngineDiscount.com - Not for Resale

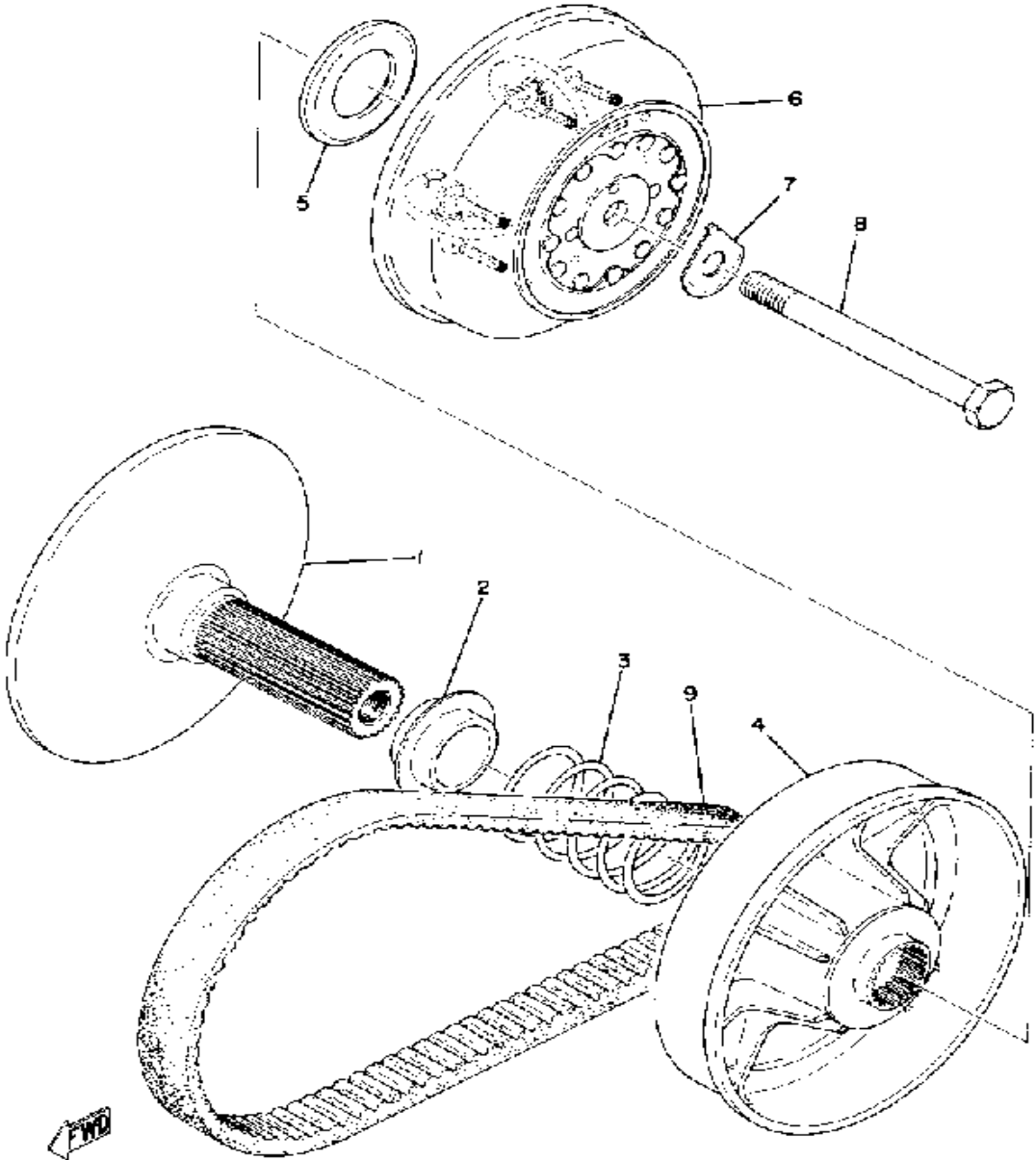
PUMP DRIVE GEAR



Ref. No.	Part Number	Description	Qty	Remarks
28	821-17843-00-00	BUSH, DRIVEN GEAR OUTER .	1	
29	93104-06033-00	OIL SEAL	1	
30	821-17818-02-00	GASKET	1	
31	821-17819-00-00	CAP, HOUSING	1	
32	98580-05010-00	SCREW, PAN HEAD	2	
33	90201-08624-00	WASHER, PLATE	1	

Property of www.SmallEngineDiscount.com - Not for Resale

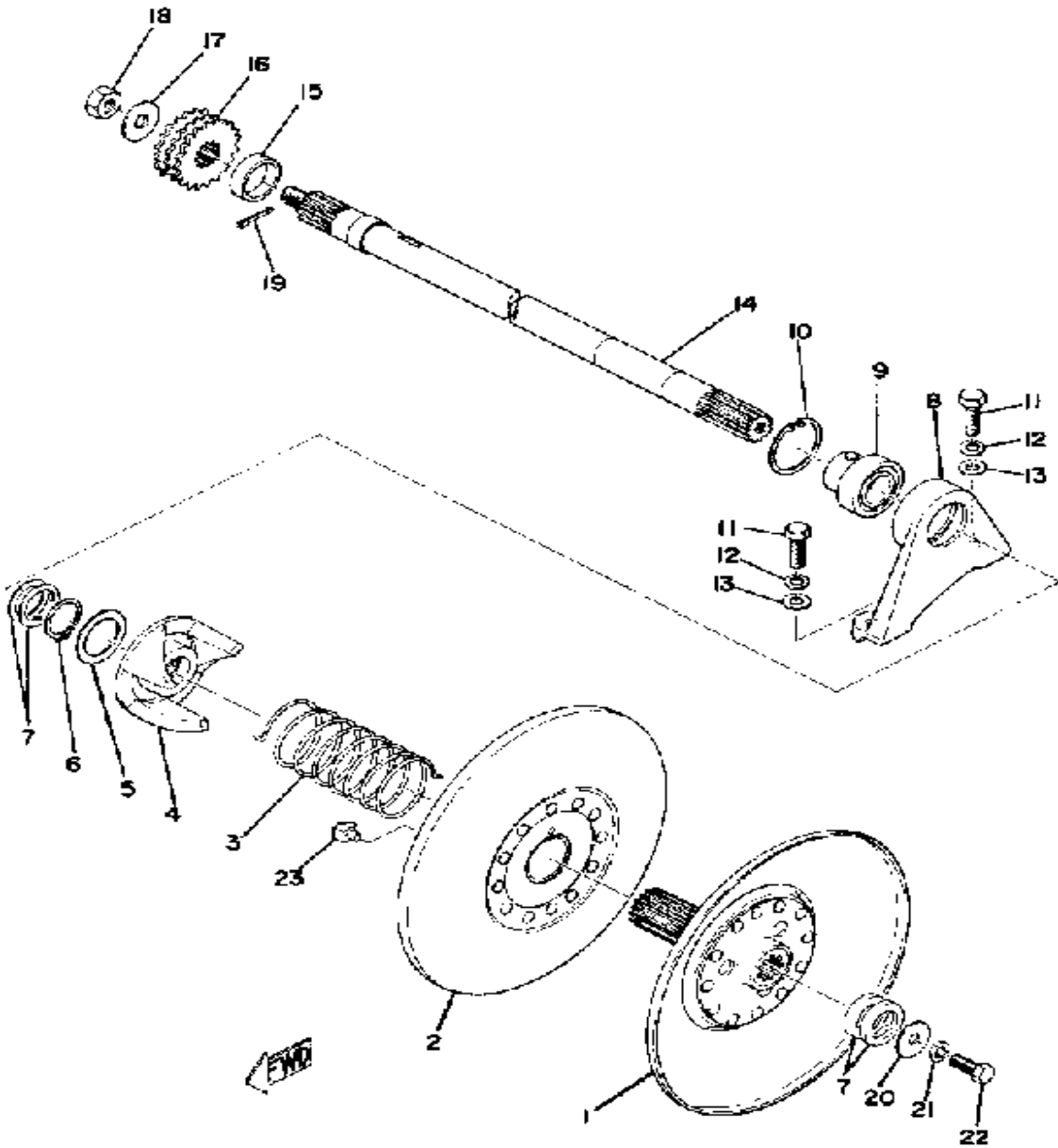
PRIMARY SHEAVE



Ref. No.	Part Number	Description	Qty	Remarks
1	(878-W1761-01-00)	PRI. FIXED SHEAVE	1	
2	(888-17644-00-00)	SEAT, SPRING	1	
3	(90501-55403-00)	SPRING, COMPRESSION	1	
	90501-55388-00	SPRING, COMPRESSION	1	
4	(888-17620-00-00)	PRI SLIDG SHEAVE	1	
5	(879-17623-00-00)	CAM	1	
	(8A6-17623-00-00)	CAM	1	
6	(878-W1762-01-00)	PRI. SHEAVE CAP	1	
7	90215-13047-00	WASHER, LOCK	1	
8	90101-13406-00	BOLT	1	
9	8F2-17641-01-00	V-BELT	1	

Property of www.SmallEngineDiscount.com - Not for Resale

SECONDARY SHEAVE

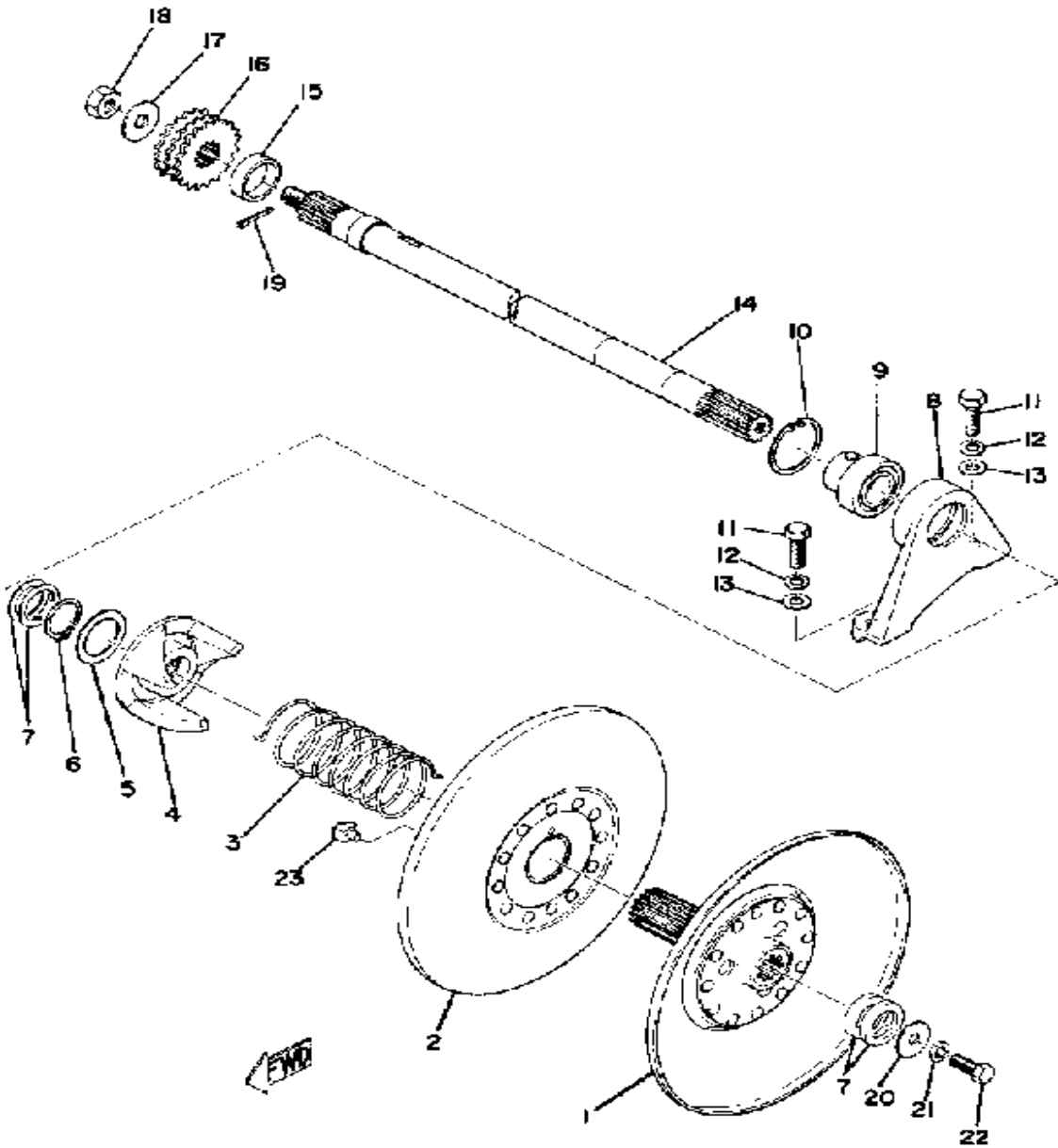


Ref. No.	Part Number	Description	Qty	Remarks
1	8A5-17660-01-00	SEC FXD SHVSHEAVE COMP.	1	
2	(8F2-17670-00-00)	SEC SLIDING SHEAVE	1	
3	90508-45287-00	SPRING, TORSION	1	
	90508-45301-00	SPRING, TORSION	1	
4	8A5-17684-01-00	SEAT, SEC SPRINGSRING ..	1	
5	90564-34003-00	SHIM (856-17687-00)	1	
6	93440-34170-00	CIRCLIP	1	
7	90201-25526-00	WASHER, PLATE (T2.0)	1	
	90201-25527-00	WASHER, PLATE (T1.0)	1	
	99999-01011-00	SPACER (25-36-5.0)	1	
8	878-47631-00-00	HOUSING, BEARING	1	
9	888-17678-00-00	BEARING	1	
10	99009-52500-00	CIRCLIP	1	
11	97013-10030-00	BOLT (8J7) (97303-10030)	2	
12	92990-10100-00	WASHER, SPRING	2	
13	90201-10124-00	WASHER, PLATE	1	
14	(888-17680-00-00)	SHAFT, SECONDARY	1	
15	90387-25259-00	COLLAR	1	
16	829-17682-00-00	SPRKT, CHAIN DR 20T (20T) ..	1	
	829-17682-50-00	SPRKT, CHAIN DR 15T (878-17682-50) (15T)	1	
	829-17682-60-00	SPRKT, CHAIN DR 16T (16T) ..	1	
	829-17682-70-00	SPRKT, CHAIN DR 17T (17T) ..	1	
	829-17682-80-00	SPRKT, CHAIN DR 18T (18T) ..	1	
	829-17682-90-00	SPRKT, CHAIN DR 19T (878-17682-90) (19T)	1	
	8U9-17693-10-00	SPROCKET, CHAIN DR (878-17693-10) (21T)	1	
	8U9-17693-20-00	SPROCKET, CHAIN DR (878-17693-20) (22T)	1	

CONTINUED ON NEXT FRAME ►

Property of www.SmallEngineDiscount.com - Not for Resale

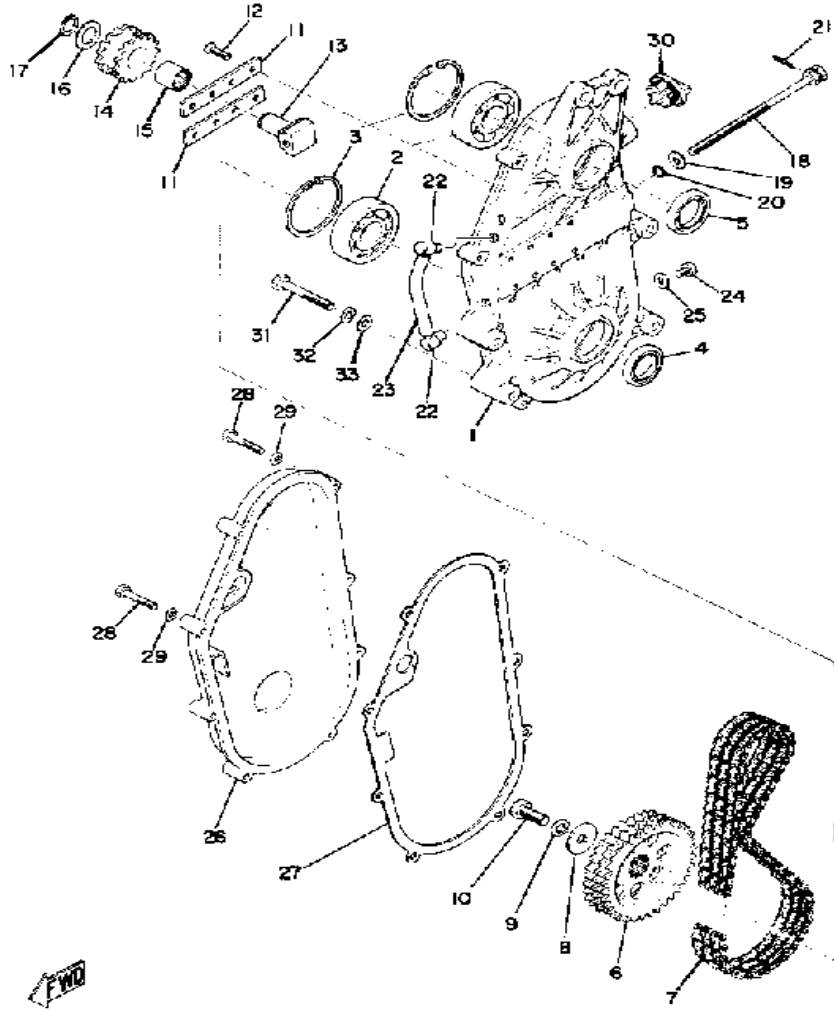
SECONDARY SHEAVE



Ref. No.	Part Number	Description	Qty	Remarks
17	90201-14319-00	WASHER, PLATE	1	
18	95312-14600-00	NUT	1	
19	91401-30030-00	PIN, COTTER	1	
20	90201-10321-00	WASHER, PLATE	1	
21	92990-10100-00	WASHER, SPRING	1	
22	97011-10025-00	BOLT	1	
23	8A5-17688-00-00	SHOE, RAMP	3	
	UNA-VAILA-BL-EI	0 1		

Property of www.SmallEngineDiscount.com - Not for Resale

TRACK DRIVE



Ref. No.	Part Number	Description	Qty	Remarks
1	(888-47541-00-00)	HOUSING, CHAIN	1	
2	93306-30536-00	BEARING	2	
3	93420-62070-00	CIRCLIP 54G	2	
4	93102-25081-00	OIL SEAL	1	
5	93102-33140-00	OIL SEAL, SD-TYPE	1	
6	8U9-47587-00-00	SPROCKET, CHN DRVN (31T)	1	U.R.
	8U9-47587-10-00	SPROCKET, CHN DRVN (888-47587-00) (33T)	1	STD
	8U9-47587-30-00	SPROCKET, CHN DRVN (878-47587-20) (35T)	1	U.R.
7	94850-35070-00	CHAIN 70 (RS35V-3 70L)	1	U.R.
	94850-35072-00	CHAIN 72 (RS35V-3 72L)	1	U.R. STD
	94850-35074-00	CHAIN 4	1	U.R.
8	90201-10321-00	WASHER, PLATE	1	
9	92990-10100-00	WASHER, SPRING	1	
10	97011-10025-00	BOLT	1	
11	(888-47613-00-00)	HOLDER	2	
12	98701-06014-00	SCREW, FLAT HEAD	8	
13	878-47611-00-00	TENSIONER	1	
14	878-47612-00-00	WHEEL	1	
15	93317-31701-00	BEARING	1	
16	90201-17406-00	WASHER, PLATE	1	
17	99009-17400-00	CIRCLIP	1	
18	90109-08357-00	BOLT	1	
19	90201-084M4-00	WASHER, PLATE (90201-08088-00)	1	
20	93210-08006-00	O-RING	1	
21	90468-16065-00	CLIP	1	
22	583-15371-00-00	BREATHER	2	
23	90445-09064-00	HOSE	1	

Gear reduction ratio

It is advisable to change the gear reduction ratio according to driving conditions. Refer to the following chart.

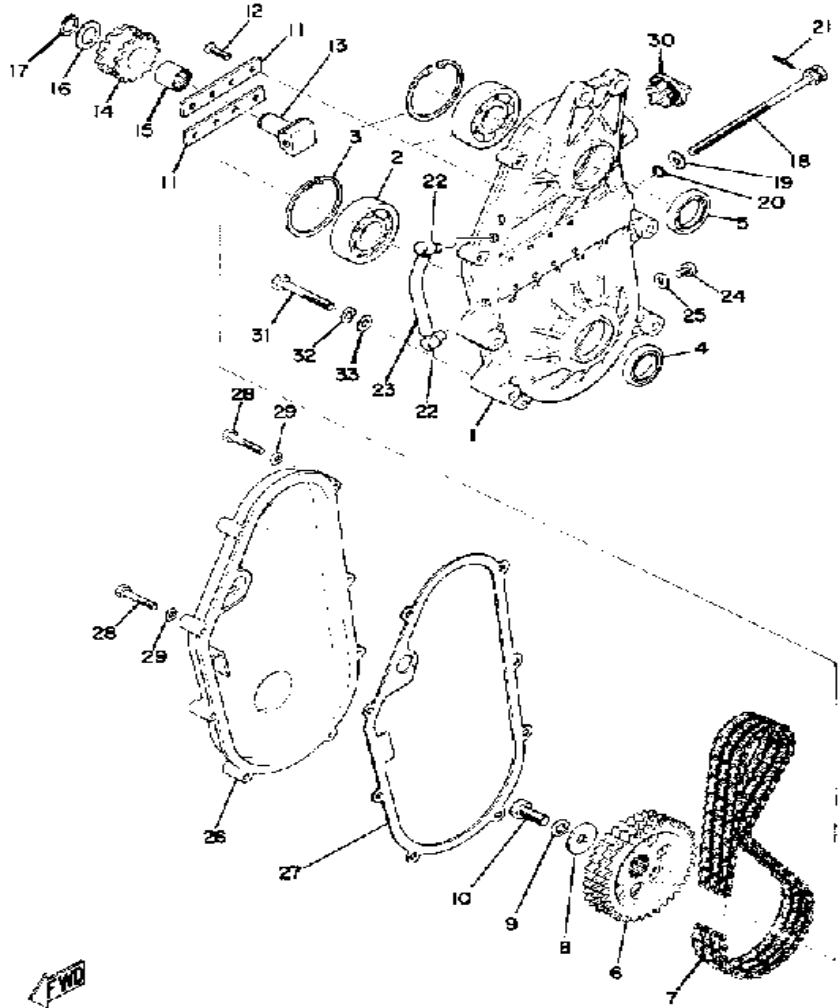
Std. drive sprocket: 19
 Std. driven sprocket: 33
 Std. No. of chain links: 72

	1/2-mile oval course		Trail and tour		Lake surface (line)	
	EX340	EX440	EX340	EX440	EX340	EX440
Drive sprocket	Std.	Std.	Std.	Std. or 20	Std. or 20	20 or 21
Driven sprocket	Std.	Std.	Std.	Std.	Std.	Std.
No. of chain links	Std.	Std.	Std.	Std.	Std.	Std. or 74

CONTINUED ON NEXT FRAME ➤

Property of www.SmallEngineDiscount.com - Not for Resale

TRACK DRIVE



Ref. No.	Part Number	Description	Qty	Remarks
24	98580-06010-00	SCREW, PAN HEAD	1	
25	90430-06016-00	GASKET	1	
26	888-47543-00-00	CAP, HOUSING	1	
27	878-47544-00-00	GASKET	1	
28	97013-06035-00	BOLT (1TL)	8	
29	92901-06600-00	WASHER	8	
30	857-47559-00-00	CAP 2	1	
31	97321-08055-00	BOLT, HEXAGON	4	
32	92990-08100-00	WASHER, SPRING (92901-08100)	4	
33	92901-08600-00	WASHER	4	

Gear reduction ratio

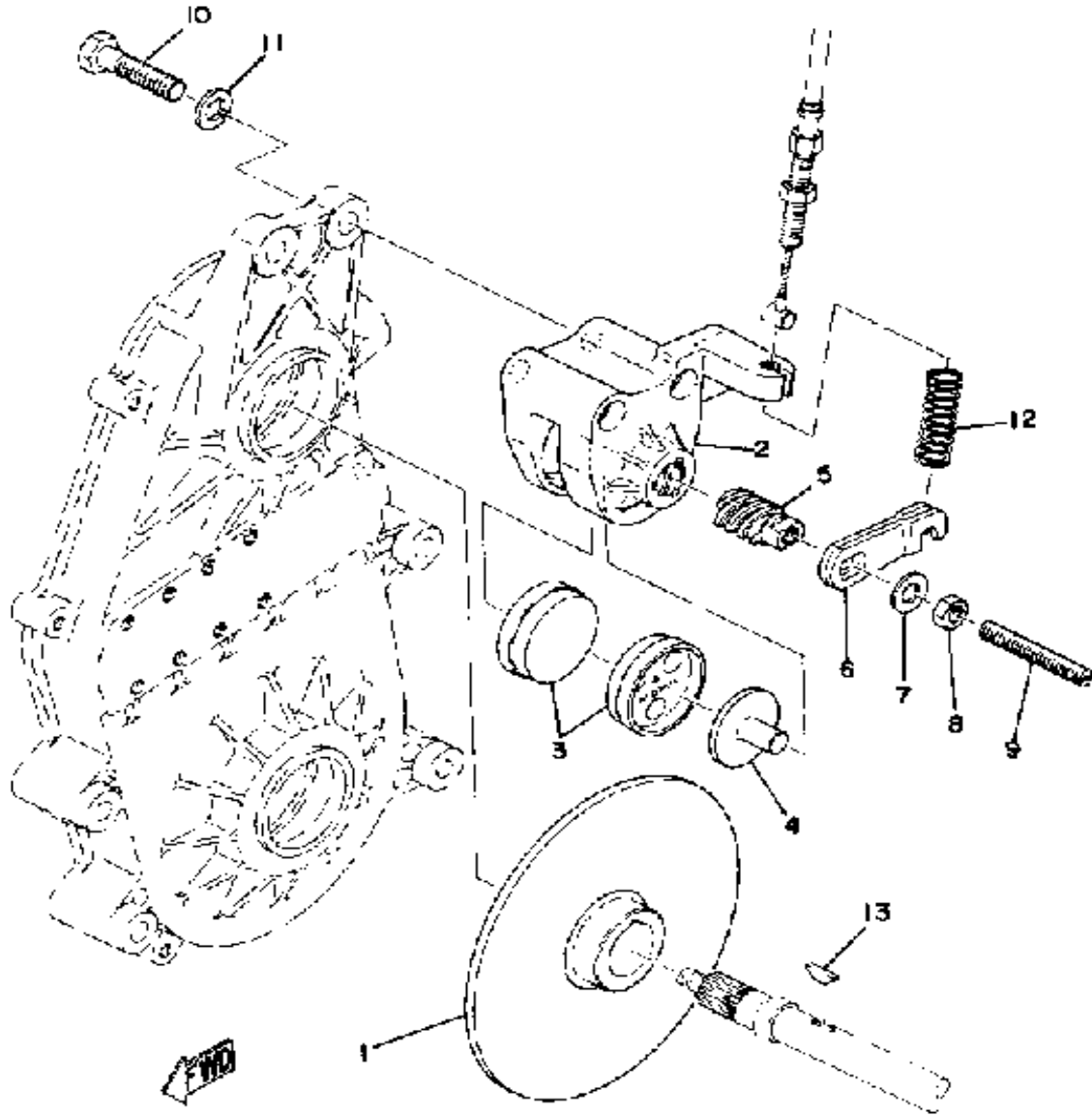
It is advisable to change the gear reduction ratio according to driving conditions. Refer to the following chart.

- Std. drive sprocket: 19
- Std. driven sprocket: 33
- Std. No. of chain links: 72

	1/2-mile oval course		Trail and tour		Lake surface (line)	
	EX340	EX440	EX340	EX440	EX340	EX440
Drive sprocket	Std.	Std.	Std.	Std. or 20	Std. or 20	20 or 21
Driven sprocket	Std.	Std.	Std.	Std.	Std.	Std.
No. of chain links	Std.	Std.	Std.	Std.	Std.	Std. or 74

Property of www.SmallEngineDiscount.com - Not for Resale

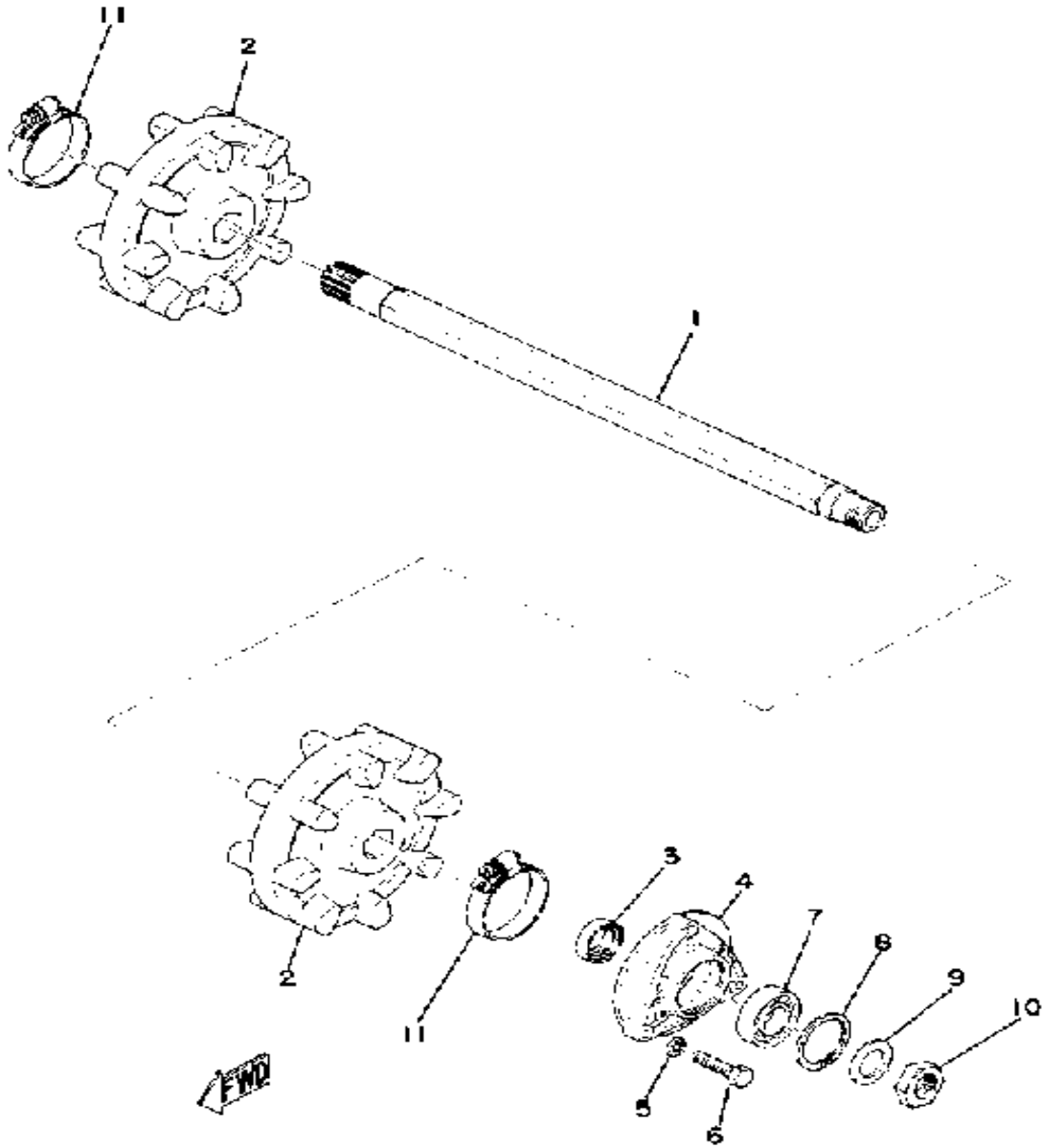
BRAKE



Ref. No.	Part Number	Description	Qty	Remarks
1	888-25831-00-00	DISC, BRAKE	1	
2	878-25731-00-00	BODY, CALIPER 1	1	
3	84X-25811-01-00	PAD, CALIPER 2	2	
4	878-25733-00-00	PLATE, BACK UP	1	
5	878-25728-00-00	CAM	1	
6	878-25726-00-00	LEVER, BRAKE	1	
7	92901-08600-00	WASHER	1	
8	95303-08700-00	NUT	1	
9	90149-08033-00	SCREW, SPEC'L SHAPE	1	
10	97013-10040-00	BOLT	2	
11	92990-10100-00	WASHER, SPRING	2	
12	90501-23337-00	SPRING, COMPRESSION	1	
13	8J7-25848-00-00	KEY	1	

Property of www.SmallEngineDiscount.com - Not for Resale

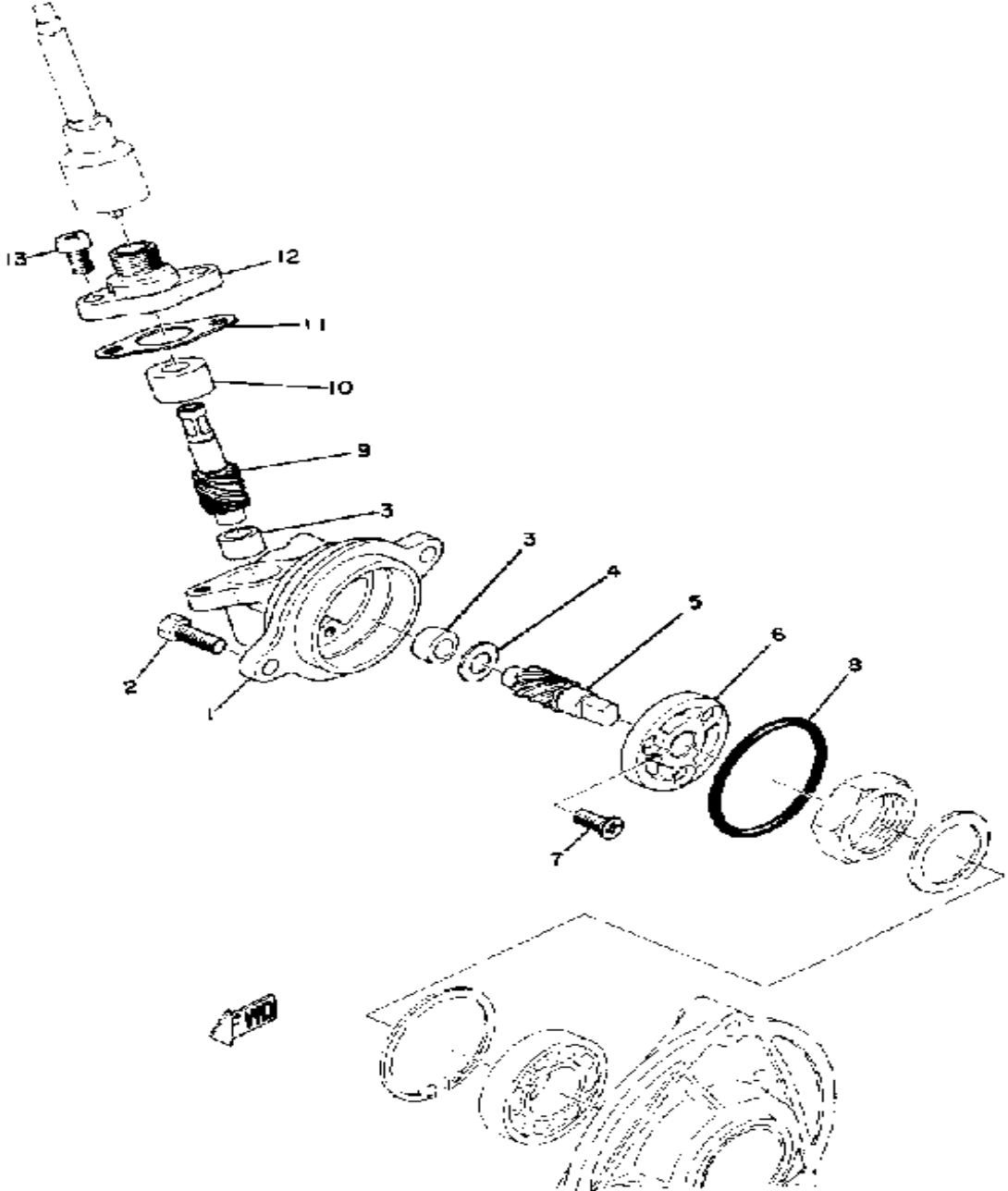
FRONT AXLE



Ref. No.	Part Number	Description	Qty	Remarks
1	8A5-W4751-00-00	AXLE, FRONT	1	
2	8J7-47531-01-00	WHEEL, SPROCKET 1	2	
3	93102-25084-00	OIL SEAL, SD-TYPE	1	
4	841-47551-00-00	HOUSING, FRONT AXLE	1	
5	92990-08100-00	WASHER, SPRING (92901-08100)	3	
6	97001-08025-00	BOLT (1NV)	3	
7	93306-00412-00	BEARING	1	
8	93420-44029-00	CIRCLIP, R-TYPE	1	
9	90208-22001-00	WASHER, CONICAL SPRING ..	1	
10	90170-22094-00	NUT	1	
11	90460-50079-00	CLAMP, HOSE	2	

Property of www.SmallEngineDiscount.com - Not for Resale

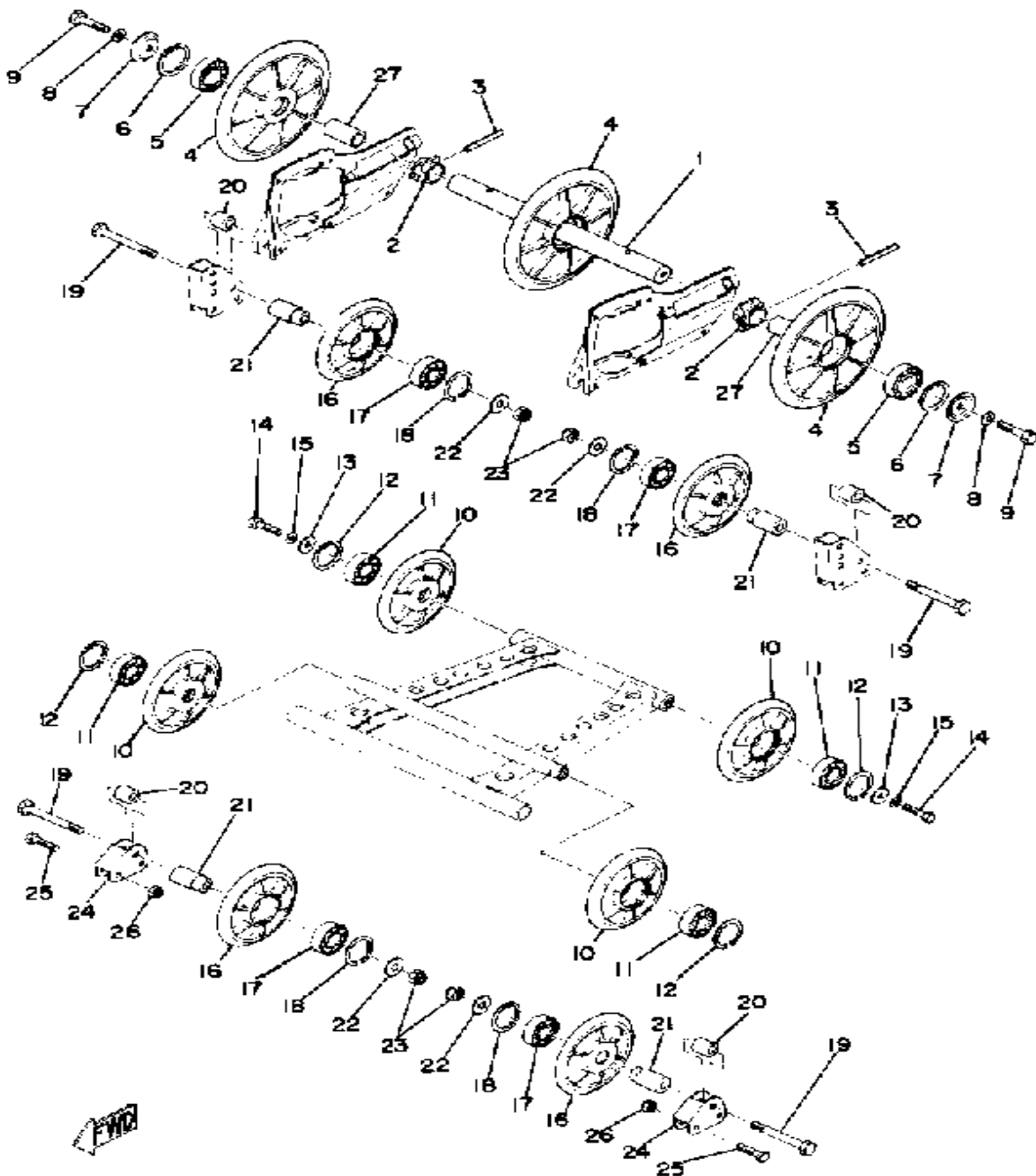
SPEEDOMETER GEAR UNIT



Ref. No.	Part Number	Description	Qty	Remarks
1	8E6-47711-10-00	HOUSING	1	
2	97313-06016-00	BOLT, HEXAGON	2	
3	(90380-08002-00)	BUSH, SOLID	2	
4	810-47717-10-00	SHIM	1	
5	8A5-47731-00-00	GEAR, DRIVE	1	
6	853-47712-10-00	JOURNAL	1	
7	98701-04012-00	SCREW, FLAT HEAD	3	
8	93210-43141-00	O-RING	1	
9	8A5-47741-00-00	GEAR, DRIVEN	1	
10	90380-08005-00	BUSH, SOLID	1	
11	810-47727-10-00	GASKET	1	
12	8E3-47721-10-00	COVER, HOUSING	1	
13	98580-05012-00	SCREW, PAN HEAD	2	

Property of www.SmallEngineDiscount.com - Not for Resale

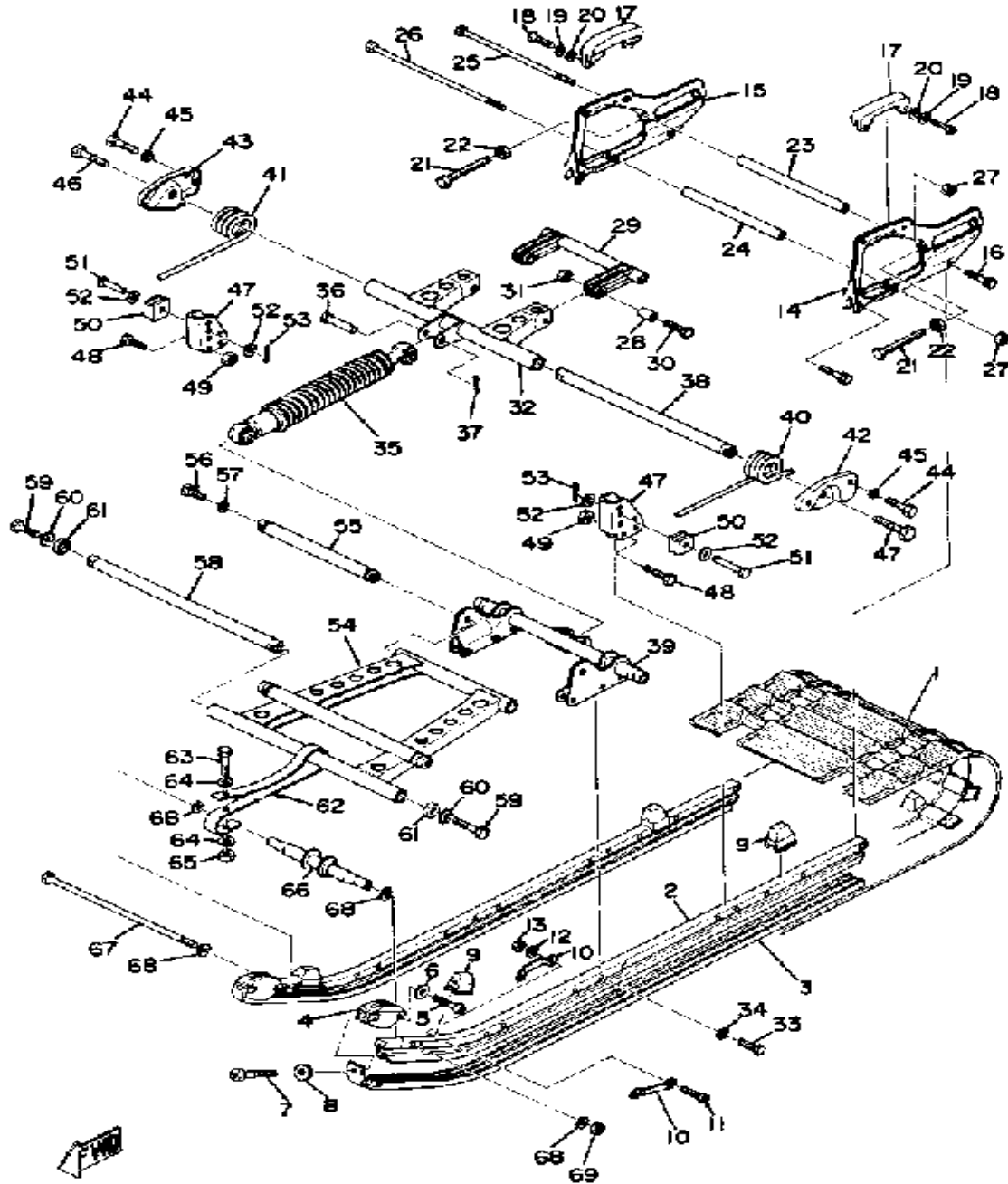
REAR AXLE-WHEEL



Ref. No.	Part Number	Description	Qty	Remarks
1	8A5-47521-00-00	AXLE, REAR	1	
2	885-47479-00-00	COLLAR 3	2	
3	91609-40040-00	PIN, SPRING	2	
4	8L4-47530-00-00	GUIDE WHEEL COMP.	3	
5	93306-20417-00	BEARING (B62042RS)	3	
6	99009-47500-00	CIRCLIP	3	
7	90209-08124-00	WASHER, SPEC'L SHAP	2	
8	92990-08100-00	WASHER, SPRING (92901-08100)	2	
9	97013-08025-00	BOLT	2	
10	885-47320-01-00	SUSPENSION WHEEL COMP.	4	S5-017
11	93306-00441-00	BEARING (89A) (B6004RS)	4	
12	99009-42500-00	CIRCLIP	4	
13	90209-06137-00	WASHER, SPEC'L SHAP	4	
14	97011-06020-00	BOLT	4	
15	92995-06100-00	WASHER	4	
16	885-47320-01-00	SUSPENSION WHEEL COMP.	4	S5-017
17	93306-00441-00	BEARING (89A) (B6004RS)	4	
18	99009-42500-00	CIRCLIP	4	
19	90101-12295-00	BOLT	4	S5-017
20	90387-12480-00	COLLAR	4	S5-017
21	90387-12519-00	COLLAR	4	S5-017
22	92990-12200-00	WASHER, PLAIN	4	S5-017
23	95611-12100-00	NUT, U	4	S5-017
24	(8A5-47418-00-00)	BRACKET 4	2	
25	97313-08035-00	BOLT, HEXAGON	4	
26	95611-08100-00	NUT, U	4	
27	90387-20510-00	COLLAR	2	

Property of www.SmallEngineDiscount.com - Not for Resale

TRACK-SUSPENSION

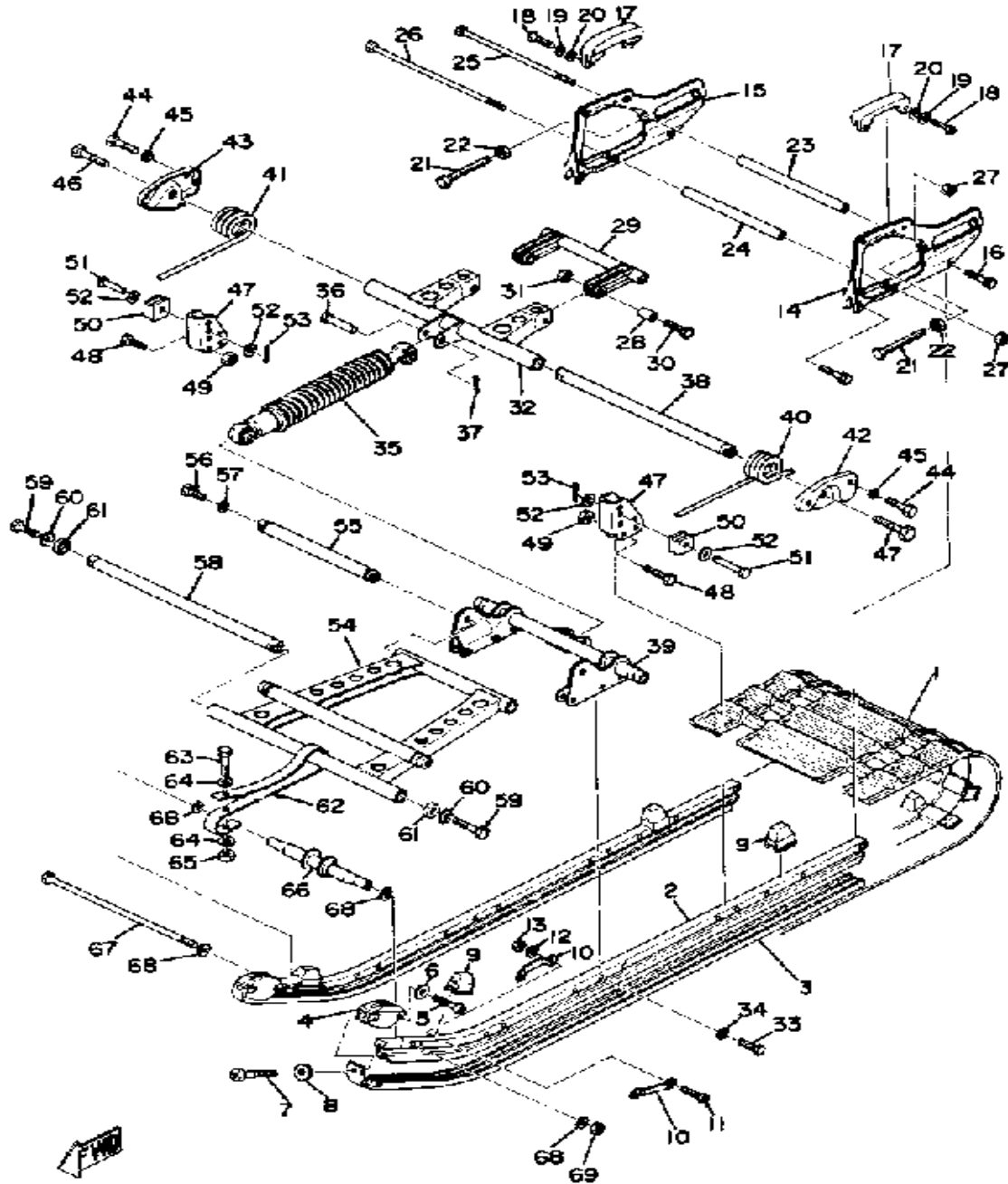


Ref. No.	Part Number	Description	Qty	Remarks
1	8A5-47110-01-00	TRACK ASSEMBLY	1	
2	8A5-47411-00-00	FRAME, SLIDING 1	2	
3	890-47421-90-XX	RUNNER, SLIDING 1 (890-47421-00)	2	
4	885-47423-00-00	RUNNER, SLIDING 3	2	
5	98511-06025-00	SCREW PAN HEAD	2	
6	90201-06067-00	WASHER, PLATE	2	
7	98580-06040-00	SCREW, PAN HEAD	2	
8	90201-06M02-00	WASHER, PLATE	2	
9	885-47457-00-00	DAMPER 2	4	
10	885-47458-01-00	PLATE, DAMPER	4	
11	98501-05030-00	SCREW, PAN HEAD	4	
12	92990-05100-00	WASHER, SPRING (92901-05100)	4	
13	95380-05600-00	NUT	4	
14	8A5-47412-00-00	FRAME, SLIDING 2	1	
15	8A5-47413-00-00	FRAME, SLIDING 3	1	
16	90119-08008-00	BOLT, WITH WASHER	4	
17	8E3-47422-00-00	RUNNER, SLIDING 2	2	
18	98580-06020-00	SCREW, PAN HEAD (92501-06020)	4	
19	92995-06100-00	WASHER	4	
20	92990-06200-00	WASHER (92901-06200)	4	
21	90101-10293-00	BOLT	2	
22	95303-10700-00	NUT	2	
23	90387-08497-00	COLLAR	1	
24	90387-08496-00	COLLAR	1	
25	97321-08245-00	BOLT, HEXAGON (97101-08245)	1	
26	90101-08374-00	BOLT	1	
27	95611-08100-00	NUT, U	2	

CONTINUED ON NEXT FRAME ►

Property of www.SmallEngineDiscount.com - Not for Resale

TRACK-SUSPENSION

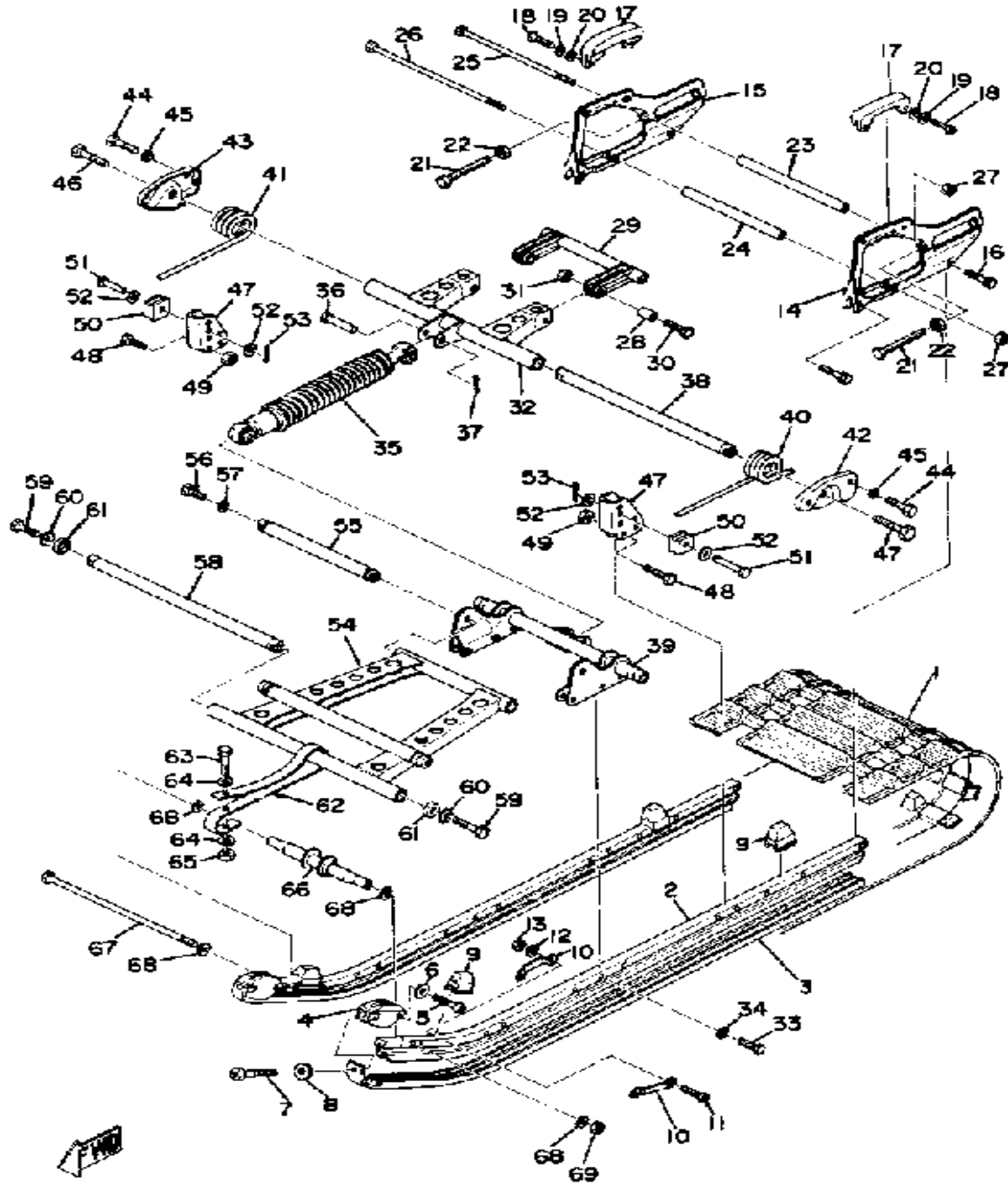


Ref. No.	Part Number	Description	Qty	Remarks
28	90387-08508-00	COLLAR	2	
29	8A5-47417-00-00	BRACKET 3	2	
30	97313-08045-00	BOLT	2	
31	95611-08100-00	NUT, U	2	
32	8A5-47332-00-00	ARM, PIVOT 2	1	
33	97011-10025-00	BOLT	2	
34	92990-10100-00	WASHER, SPRING	2	
35	(8A0-47480-00-00)	SHOCK ABSORBER	1	
36	90240-12115-00	PIN, CLEVIS	2	
37	91401-30030-00	PIN, COTTER	2	
38	8A5-47475-02-00	SHAFT 2	1	
39	8R0-47416-00-00	BRACKET 2 (8A5-47416-00)	1	
40	90508-95291-00	SPRING, TORSION	1	
41	90508-95292-00	SPRING, TORSION	1	
42	8A5-47425-00-00	BRACKET, REAR 2	1	
43	8A5-47426-00-00	BRACKET, REAR 1	1	
44	97313-08018-00	BOLT, HEXAGON	4	
45	92901-08400-00	WASHER, EX.TOOTH	4	
46	97013-10030-00	BOLT (8J7) (97303-10030)	2	
47	890-47463-00-00	BRACKET 5	2	
48	97313-08035-00	BOLT, HEXAGON	4	
49	95611-08100-00	NUT, U	4	
50	890-47447-00-00	HOOK 2	2	
51	90249-12113-00	PIN	2	
52	90201-122A7-00	WASHER, PLATE	4	
53	91401-30030-00	PIN, COTTER	2	
54	8A5-47331-01-00	ARM, PIVOT 1	1	
55	8A5-47485-02-00	SHAFT 3	1	
56	97013-06035-00	BOLT (1TL)	6	

CONTINUED ON NEXT FRAME ➤

Property of www.SmallEngineDiscount.com - Not for Resale

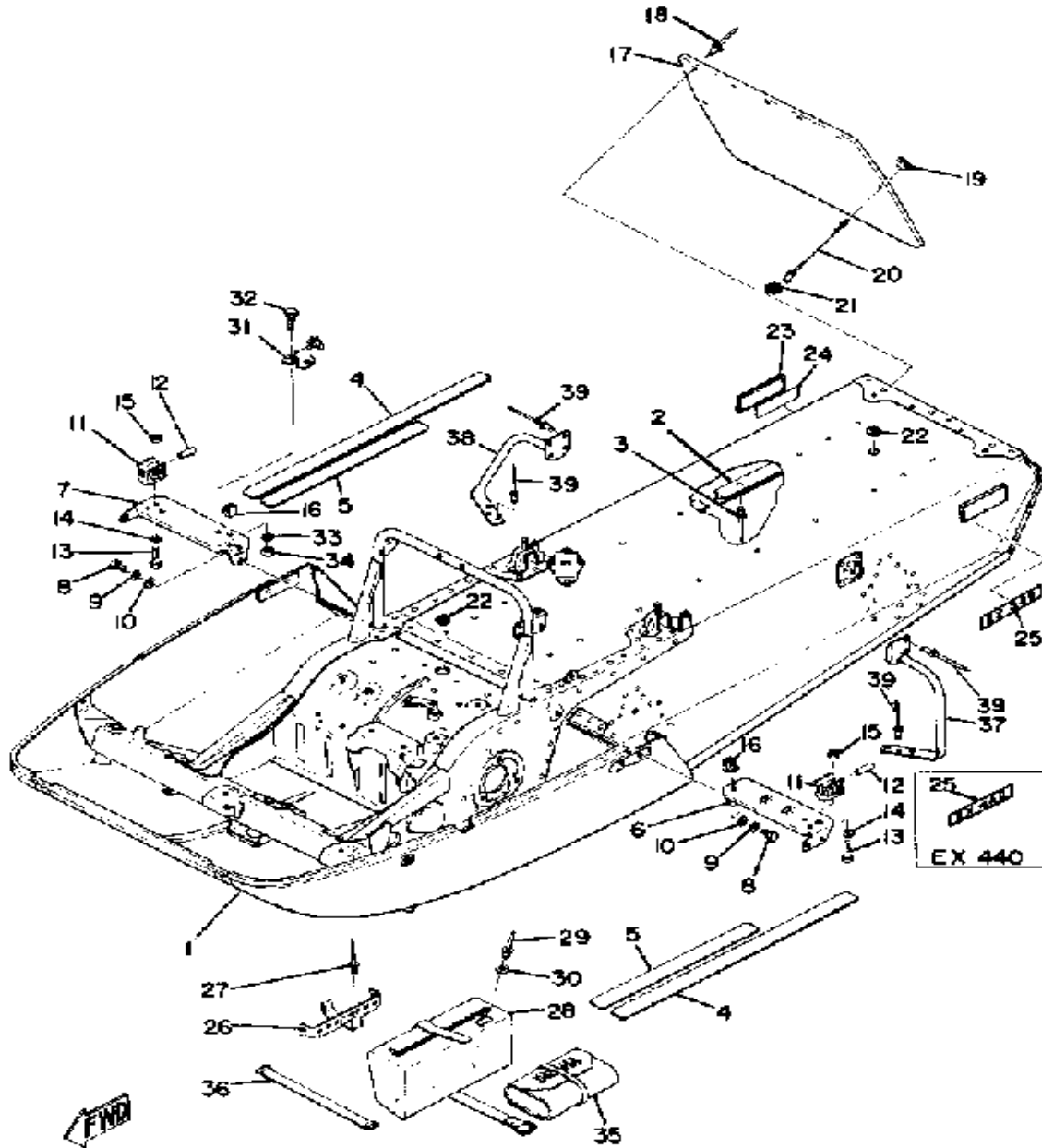
TRACK-SUSPENSION



Ref. No.	Part Number	Description	Qty	Remarks
57	92995-06100-00	WASHER	6	
58	8A5-47465-02-00	SHAFT 1	1	
59	97013-10030-00	BOLT (8J7) (97303-10030)	2	
60	92901-10400-00	WASHER, EX.TOOTH	4	
61	885-47341-00-00	SPACER	2	
62	888-47495-02-00	STOPPER 1	1	
63	97013-06035-00	BOLT (1TL)	1	
64	90201-06407-00	WASHER, PLATE	2	
65	95601-06100-00	NUT, U	1	
66	899-47415-00-00	BRACKET 1	1	
67	90101-08374-00	BOLT	1	
68	92901-08600-00	WASHER	4	
69	95611-08100-00	NUT, U	1	

Property of www.SmallEngineDiscount.com - Not for Resale

FRAME

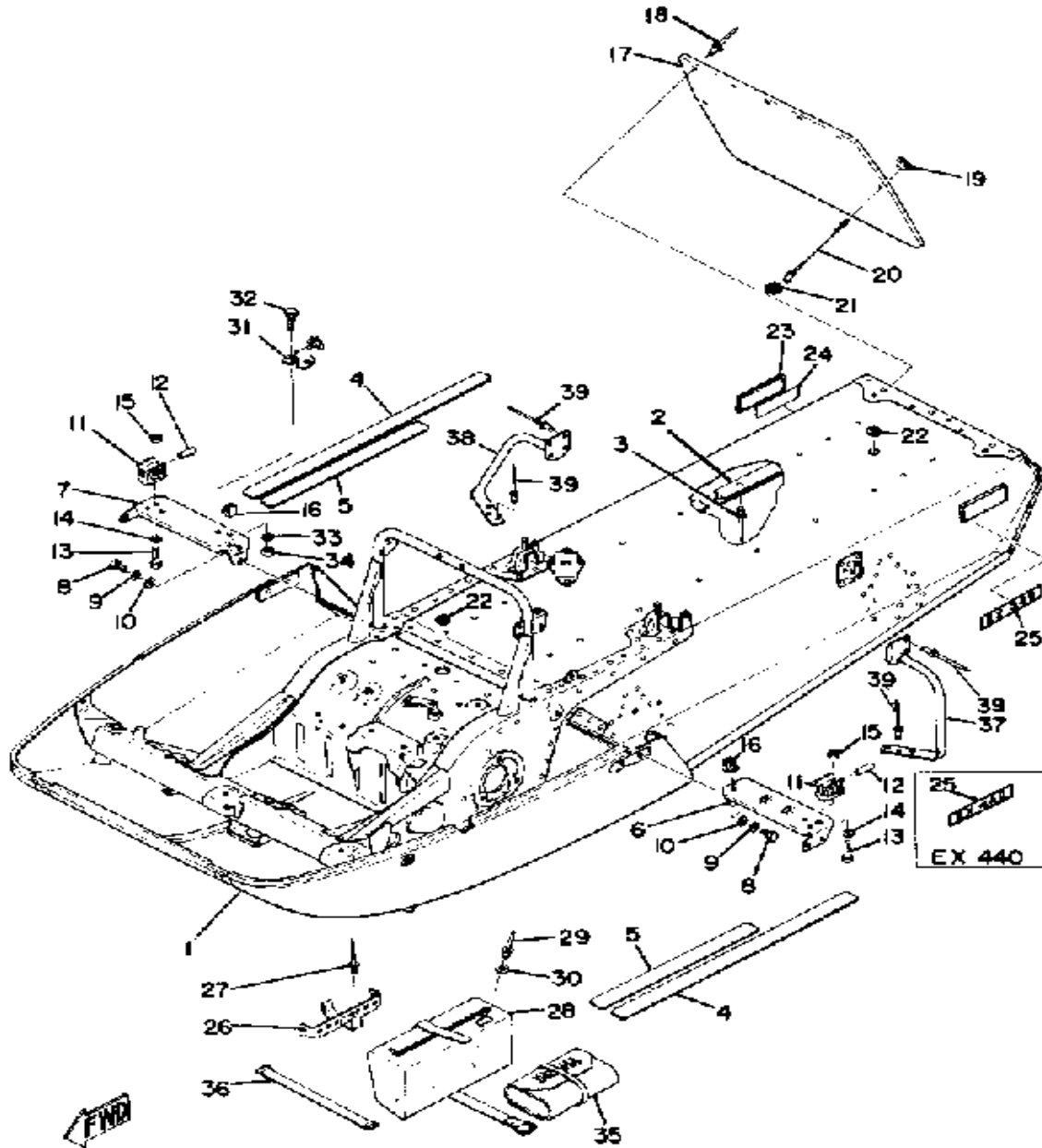


Ref. No.	Part Number	Description	Qty	Remarks
1	(8A5-21910-00-00)	FRAME	1	
2	888-21978-00-00	. PROTECTOR, FRAME	2	
3	99100-40114-00	. RIVET, FLAT HEAD	22	
4	878-27413-00-00	COVER, FOOTREST	2	
5	878-27423-00-00	COVER, FOOTREST	2	
6	(878-23883-00-00)	BRACKET 3	1	
7	8A5-23884-00-00	BRACKET 4	1	
8	97313-08018-00	BOLT, HEXAGON	2	
9	92990-08100-00	WASHER, SPRING (92901-08100)	2	
10	92901-08600-00	WASHER	2	
11	878-77137-01-00	CLAMP 3	2	
12	878-77188-00-00	STOPPER	2	
13	97001-06008-00	BOLT, HEXAGON	2	
14	90201-06407-00	WASHER, PLATE	2	
15	95601-06100-00	NUT, U	2	
16	90464-04010-00	CLAMP	2	
17	8V8-77595-00-00	FLAP	1	
18	90267-48086-00	RIVET, BLIND	5	
19	90338-10024-00	PLUG, SPEC'L SHAPE	2	
20	878-77596-00-00	STOPPER, FLAP	2	
21	(90468-16059-00)	CLIP	2	
22	810-77716-00-00	ORNAMENT, INSTRUMENT PANEL 2	2	
23	81G-85130-00-00	REAR REFLECTOR ASSEMBLY	2	
24	878-85133-00-00	TAPE, REFLECTOR	2	
25	(8A5-77354-00-00)	EMBLEM 4	2	
	(8A6-77354-00-00)	EMBLEM 4	2	
26	(8A5-77381-00-00)	BOX, TOOL	1	

CONTINUED ON NEXT FRAME ►

Property of www.SmallEngineDiscount.com - Not for Resale

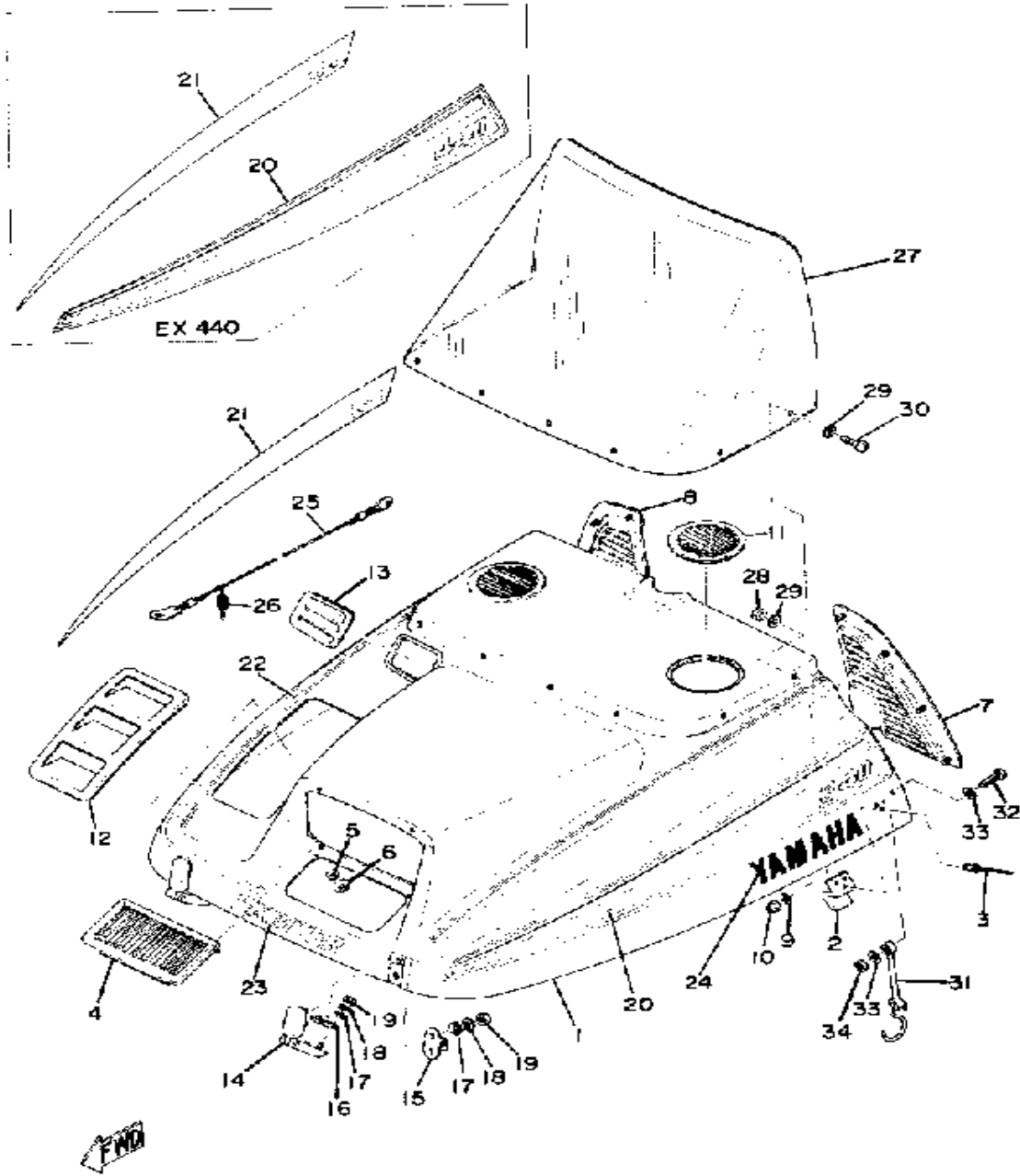
FRAME



Ref. No.	Part Number	Description	Qty	Remarks
27	90267-48053-00	RIVET, BLIND	2	
28	(8A5-77330-00-00)	SERVICE BAG ASSEMBLY	1	
29	90267-48053-00	RIVET, BLIND	3	
30	90201-04325-00	WASHER, PLATE	3	
31	8A5-23874-00-00	HOLDER, WIRE	1	
32	97313-06016-00	BOLT, HEXAGON	2	
33	92995-06100-00	WASHER	2	
34	95601-06100-00	NUT, U	2	
35	(8A5-28100-10-00)	TOOL KIT	1	
36	122-82131-00-00	BAND, BATTERY	1	
37	888-21926-00-00	RNFCMNT, FTRST 1FOOTREST 1	1	
38	888-21936-00-00	RNFCMNT, FTRST 2FOOTREST 2	1	
39	90267-48053-00	RIVET, BLIND	14	

Property of www.SmallEngineDiscount.com - Not for Resale

SHROUD

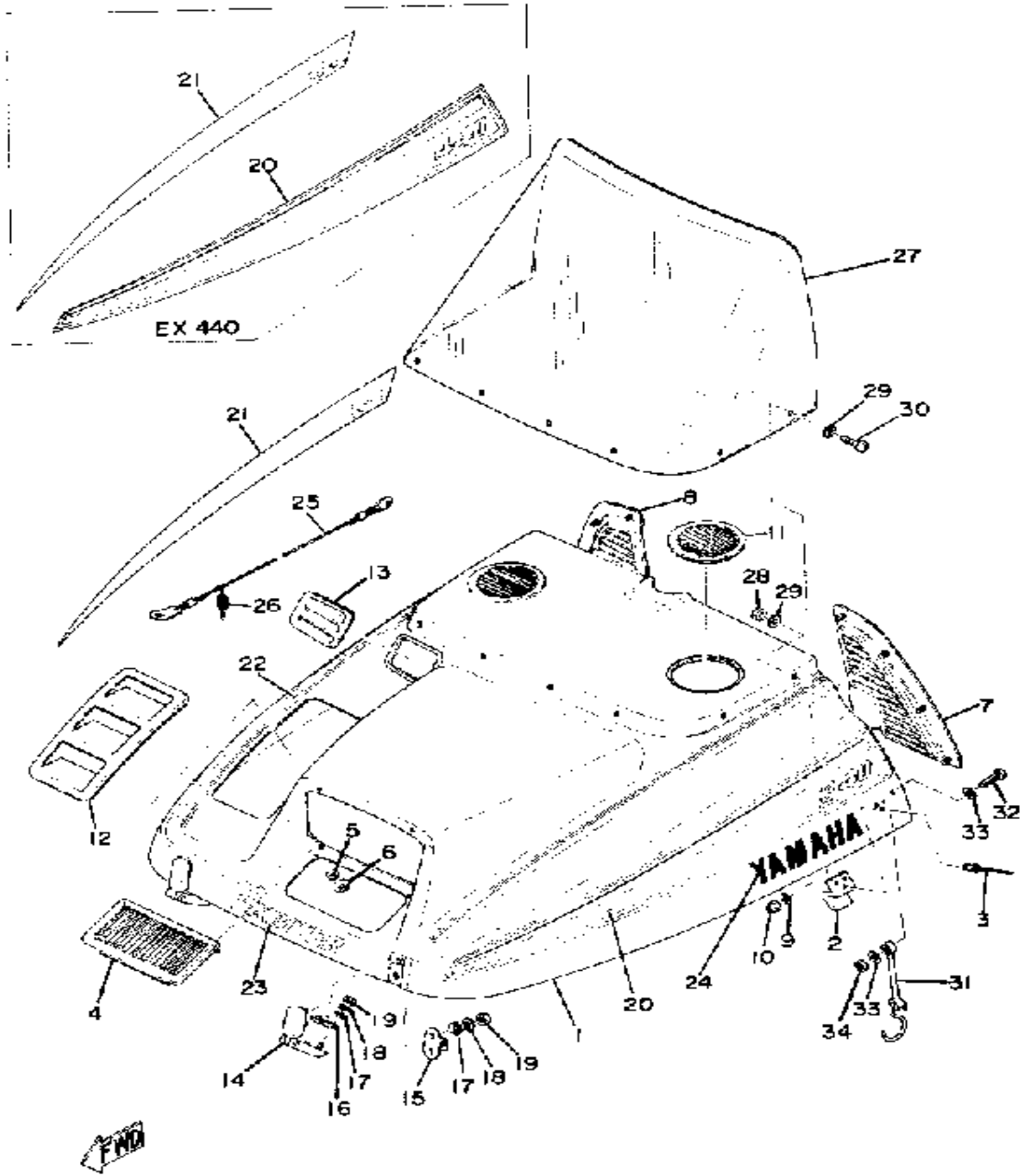


Ref. No.	Part Number	Description	Qty	Remarks
1	8E7-77110-00-00	SHROUD ASSEMBLY	1	
2	8A5-77136-01-00	CLAMP 2	1	
3	90267-40M00-00	RIVET, BLIND	6	
4	8A5-77108-30-00	LOUVER 6	1	
5	90183-05003-00	NUT, SPRING	2	
6	838-77143-00-00	EMBLEM 3	2	
7	8A5-77131-01-00	LOUVER 1	1	
8	8A5-77132-01-00	LOUVER 2	1	
9	90201-05029-00	WASHER, PLATE	8	
10	90185-05028-00	NUT, SELF-LOCKING	8	
11	8A7-77133-00-00	LOUVER 3	2	
12	8A5-77134-30-00	LOUVER 4	1	
13	8A5-77109-00-00	LOUVER 5	1	
14	878-77140-00-00	HINGE ASSEMBLY	2	
15	8G6-77153-00-00	PLATE, BACK UP 1	2	
16	878-77154-00-00	PLATE, BACK UP 2	2	
17	92901-06600-00	WASHER	6	
18	92995-06100-00	WASHER	6	
19	95380-06600-00	NUT	6	
20	(8A5-77163-00-00)	ORNAMENT 1	1	
	(8A6-77163-00-00)	ORNAMENT 1	1	
21	(8A5-77164-00-00)	ORNAMENT 2	1	
	(8A6-77164-00-00)	ORNAMENT 2	1	
22	(8A5-77169-00-00)	ORNAMENT 3	2	
23	(8A5-77356-00-00)	EMBLEM 6	1	
24	(8A2-77357-00-00)	EMBLEM 7	2	
25	8A5-77118-00-00	STOPPER, SHROUD	1	
26	838-77159-00-00	CLAMP, ROD	1	
27	8A5-77210-00-00	WINDSHIELD	1	

CONTINUED ON NEXT FRAME ➤

Property of www.SmallEngineDiscount.com - Not for Resale

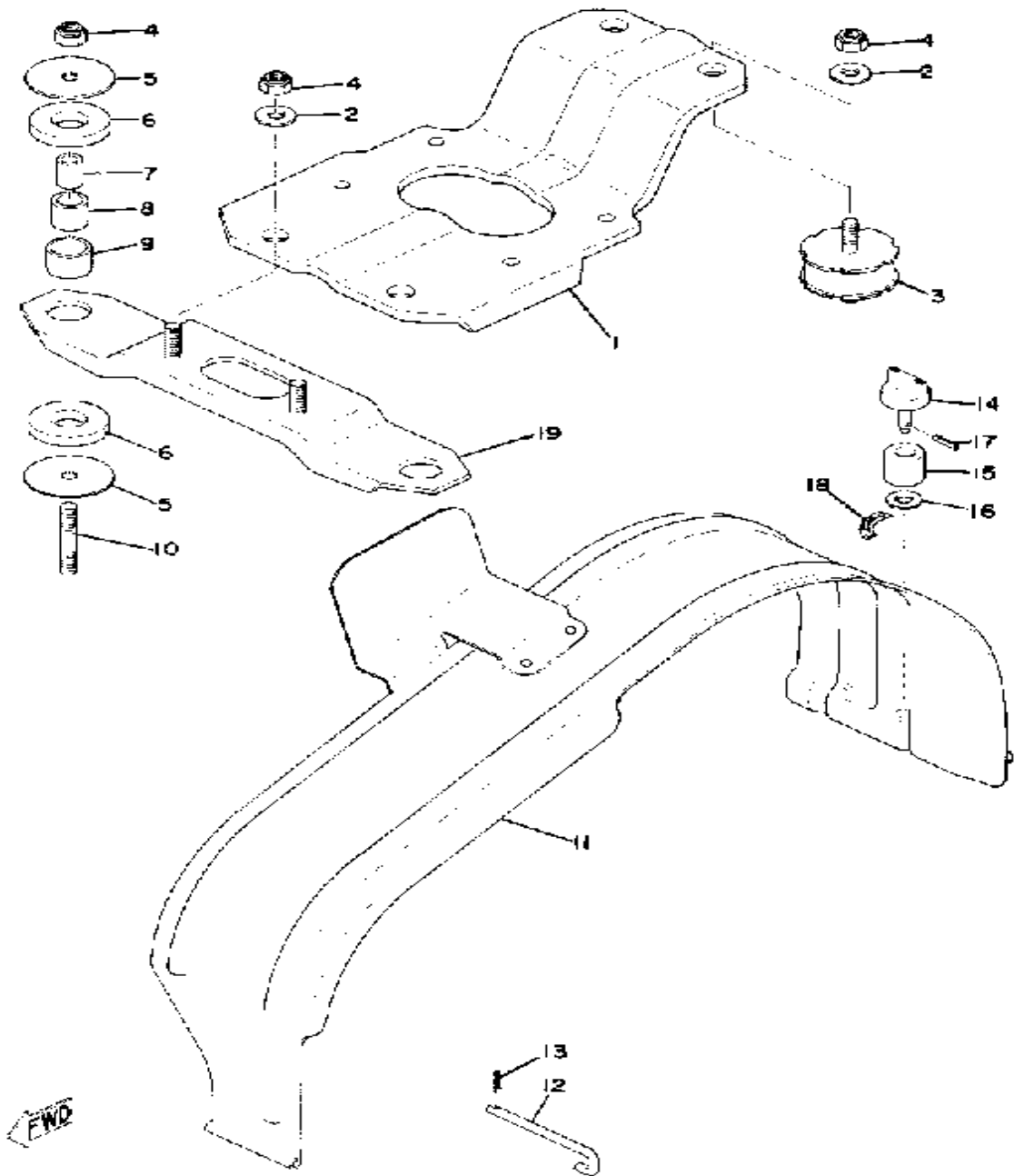
SHROUD



Ref. No.	Part Number	Description	Qty	Remarks
28	95601-05100-00	NUT, U	8	
29	90201-05029-00	WASHER, PLATE	7	
30	90154-05059-00	SCREW, BINDING	8	
31	856-77170-00-00	LATCH ASSEMBLY	2	
32	98980-06030-00	SCREW, BIND	2	
33	90201-06067-00	WASHER, PLATE	4	
34	95601-06100-00	NUT, U	2	

Property of www.SmallEngineDiscount.com - Not for Resale

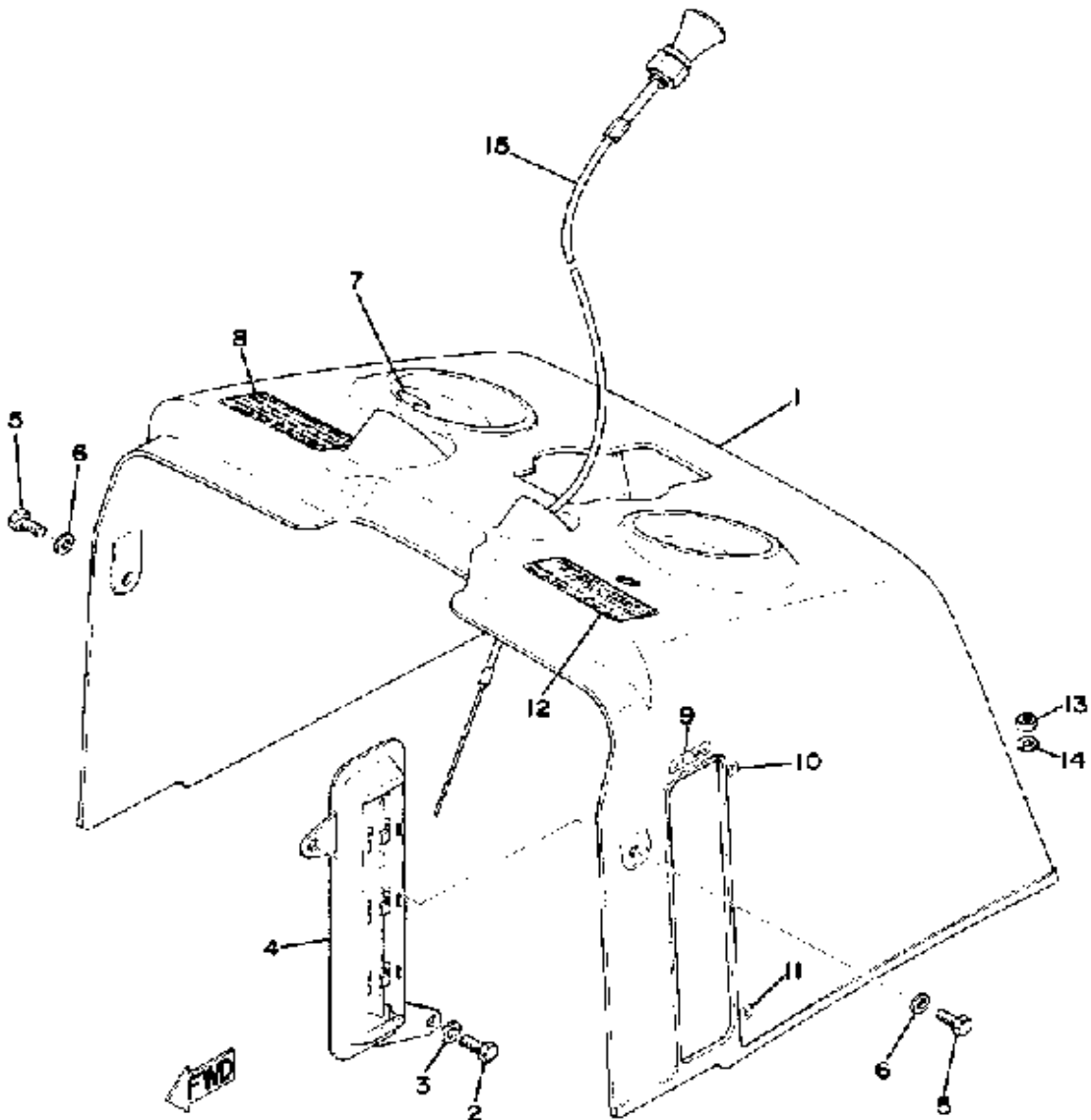
ENGINE BRACKET-DRIVE GUARD



Ref. No.	Part Number	Description	Qty	Remarks
1	8A5-21411-00-00	BRACKET, ENGINE 1	1	
2	90201-10321-00	WASHER, PLATE	4	
3	857-21486-00-00	DAMPER 2	2	
4	90185-10017-00	NUT, SELF-LOCKING	6	
5	90201-10151-00	WASHER, PLATE	4	
6	8A5-21485-00-00	DAMPER, RUBBER 1	4	
7	90387-10514-00	COLLAR	2	
8	90385-15025-00	BUSH, SPEC'L RUBBER	2	
9	90387-21515-00	COLLAR	2	
10	95611-10345-00	BOLT, STUD	2	
11	(8A5-77311-00-00)	GUARD, DRIVE	1	
12	90249-06027-00	PIN, SPEC'L SHAPE	1	
13	90468-10050-00	CLIP	1	
14	8A5-77324-00-00	KNOB	2	
15	90385-08009-00	BUSH, SPEC'L RUBBER	2	
16	90201-08104-00	WASHER, PLATE	2	
17	91609-40024-00	PIN, SPRING (91609-40025-00)	2	
18	(829-77366-00-00)	EMBLEM 1	2	
19	8A5-21419-00-00	BRACKET, ENGINE 2	1	

Property of www.SmallEngineDiscount.com - Not for Resale

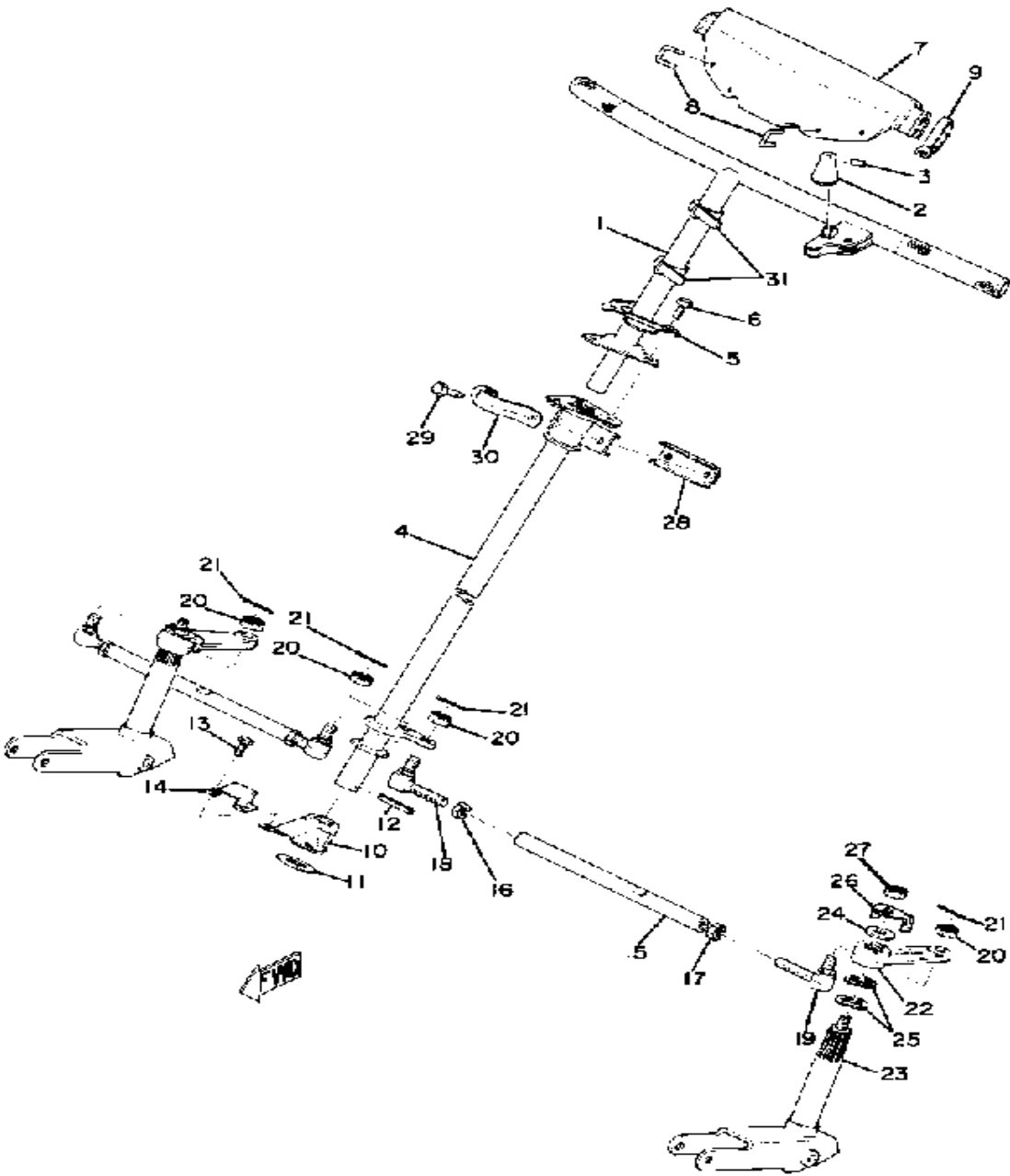
INSTRUMENT PANEL



Ref. No.	Part Number	Description	Qty	Remarks
1	(8A5-77711-00-00)	PANEL, INSTRUMENT	1	
2	97016-06016-00	BOLT	2	
3	92906-06600-00	WASHER	2	
4	878-21761-00-00	GAUGE, LEVEL	1	
5	97013-06012-00	BOLT (661)	1	
6	92901-06600-00	WASHER	1	
7	(878-77741-00-00)	INDICATOR 1	1	
8	(8A5-77763-00-00)	LABEL, WARNING 3	1	
9	878-77743-00-00	INDICATOR 3	1	
10	878-77744-00-00	INDICATOR 4	1	
11	878-77745-00-00	INDICATOR 5	1	
12	8A5-77764-00-00	LABEL, WARNING 4	1	
13	95611-08100-00	NUT, U	2	
14	90201-08104-00	WASHER, PLATE	2	
15	8A5-26331-00-00	CABLE, STARTER 1	1	

Property of www.SmallEngineDiscount.com - Not for Resale

STEERING

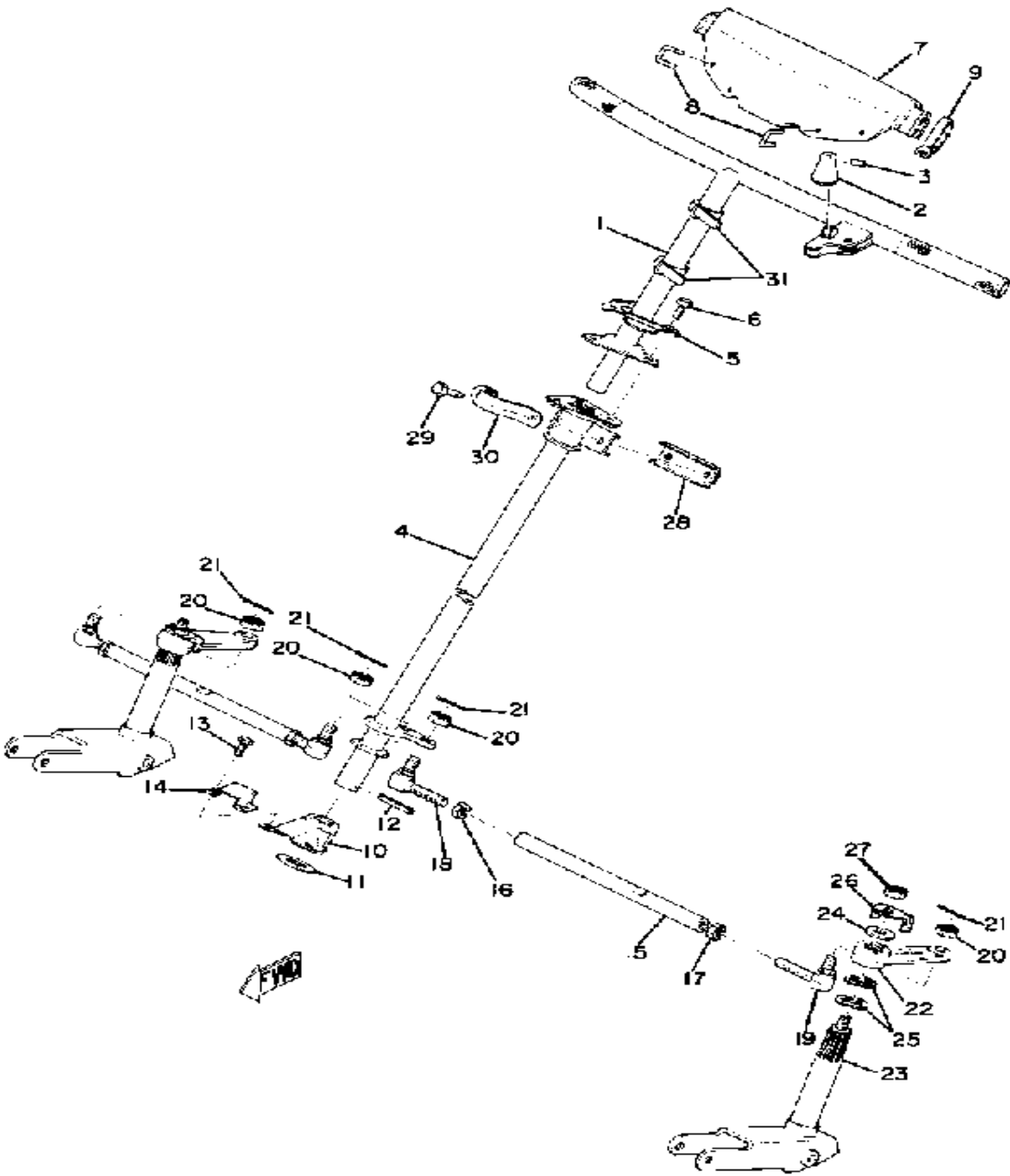


Ref. No.	Part Number	Description	Qty	Remarks
1	8A5-23810-00-00	STRG COLUMN ASSEMBLY ..	1	
2	(803-83965-00-00)	LEVER, LOCK	1	
3	(90249-04022-00)	PIN, SPEC'L SHAPE	1	
4	8A5-23813-00-00	COLUMN, STEERING 2	1	
5	8A5-23894-00-00	WASHER, LOCK 1	1	
6	97013-06012-00	BOLT (661)	3	
7	878-23815-01-00	PAD, STEERING (878-23815-00)	1	
8	(90465-05024-00)	CLAMP	4	
9	437-83936-01-00	BAND, SWITCH CORD	2	
10	(8E7-23895-00-00)	WASHER, LOCK 2	1	
	8E7-23868-00-00	BRACKET, STRG LOWERLOWER	1	
	8E7-23875-00-00	BEARING, STRG LOWERLOWER	1	
	99999-01162-00	BRACKET STEER LOWR	1	
11	(856-23812-00-00)	BEARING, STEERING	1	
12	91609-60040-00	PIN, SPRING	1	
13	97313-08018-00	BOLT, HEXAGON	2	
14	(8E7-23895-00-00)	WASHER, LOCK 2	1	
15	888-23821-00-00	ROD, STEERING RELAY	2	
16	90170-10082-00	NUT, HEXAGON (802-23833-00)	2	
17	(90170-10135-00)	NUT, HEXAGON	2	
18	888-23841-91-00	JOINT, UNIVERSAL 1	2	
19	888-23845-91-00	JOINT, UNIVERSAL 2	2	
20	95303-10900-00	NUT, SLOTTED	4	
21	91401-25030-00	PIN, COTTER	4	
22	888-23851-00-00	ARM, OUTSIDE 1	2	
23	888-23853-01-00	COLUMN, SKI 1	2	
24	90201-100A1-00	WASHER, PLATE	2	

CONTINUED ON NEXT FRAME ►

Property of www.SmallEngineDiscount.com - Not for Resale

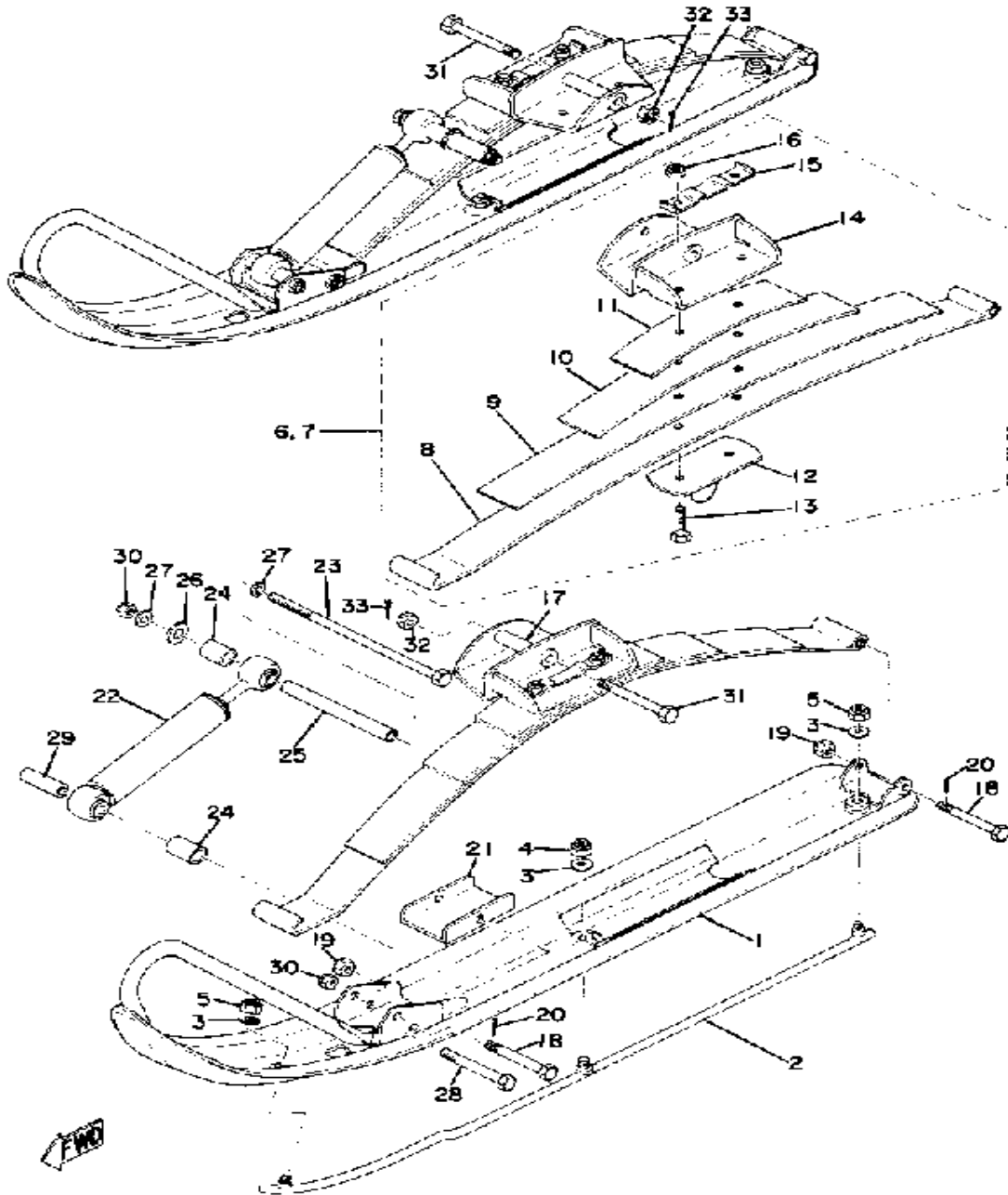
STEERING



Ref. No.	Part Number	Description	Qty	Remarks
25	90206-20037-00	WASHER, WAVE	4	
26	90215-10096-00	WASHER, LOCK	2	
27	95303-10600-00	NUT	2	
28	(878-23872-00-00)	HOLDER, BEARING	1	
29	97021-06030-00	BOLT	2	
30	90215-06054-00	WASHER, LOCK	1	
31	341-26397-01-00	BAND	2	

Property of www.SmallEngineDiscount.com - Not for Resale

SKI

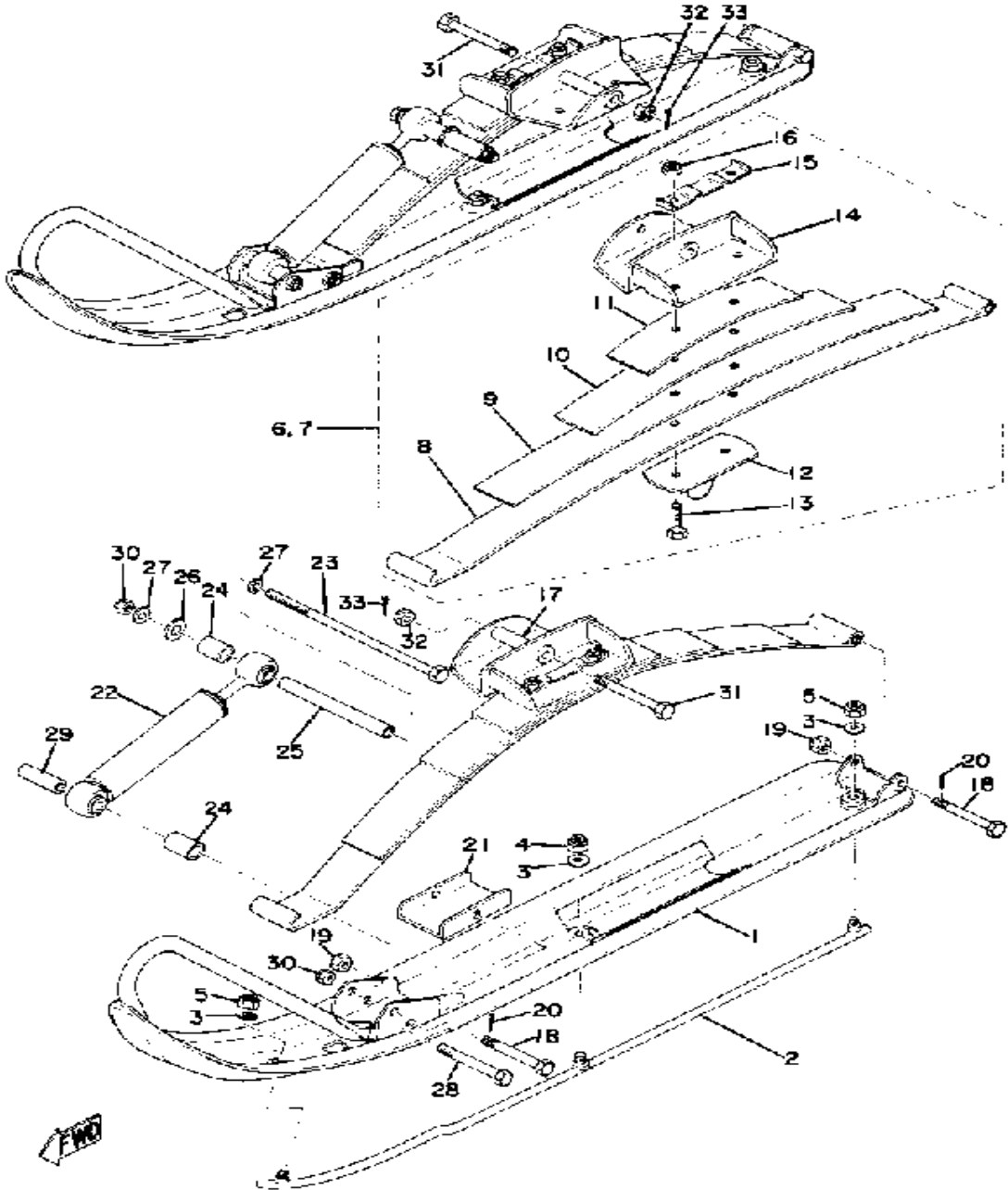


Ref. No.	Part Number	Description	Qty	Remarks
1	8E3-23710-09-00	SKI COMP. 1	2	
2	890-23731-01-00	RUNNER 1	2	
3	92901-08600-00	WASHER	6	
4	90185-08055-00	NUT, SELF-LOCKING	2	
5	95611-08100-00	NUT, U	4	
6	(888-23760-01-00)	SPRING ASSEMBLY 1	1	
7	(888-23770-01-00)	SPRING ASSEMBLY 2	1	
8	888-23761-00-00	. LEAF 1	2	
9	865-23762-00-00	. LEAF 2	2	
10	888-23763-00-00	. LEAF 3	2	
11	865-23771-00-00	. LEAF 5	2	
12	878-23768-00-00	. SEAT, SPRING 1	2	
13	90109-105E1-00	. BOLT	4	
14	(888-23766-00-33)	SADDLE 1	2	
15	90215-10155-00	. WASHER, LOCK	2	
16	95701-10500-00	. NUT, FLANGE	4	
17	90387-08478-00	. COLLAR	2	
18	90102-08025-00	BOLT, WITH HOLE	4	
19	95301-08900-00	NUT, SLOTTED (98801-08500)	4	
20	91490-20020-00	PIN, COTTER	4	
21	888-23735-00-00	PLATE, WEAR 1	2	
22	8A5-23350-01-00	SHOCK ABSORBER ASSEMBLY	2	
23	90109-08386-00	BOLT	2	
24	90387-12106-00	COLLAR (808-83326-00)	4	
25	90387-08485-00	COLLAR	2	
26	92990-12600-00	WASHER, PLATE (92902-12600)	2	
27	90201-08326-00	WASHER, PLATE	4	
28	97021-08070-00	BOLT	2	

CONTINUED ON NEXT FRAME ►

Property of www.SmallEngineDiscount.com - Not for Resale

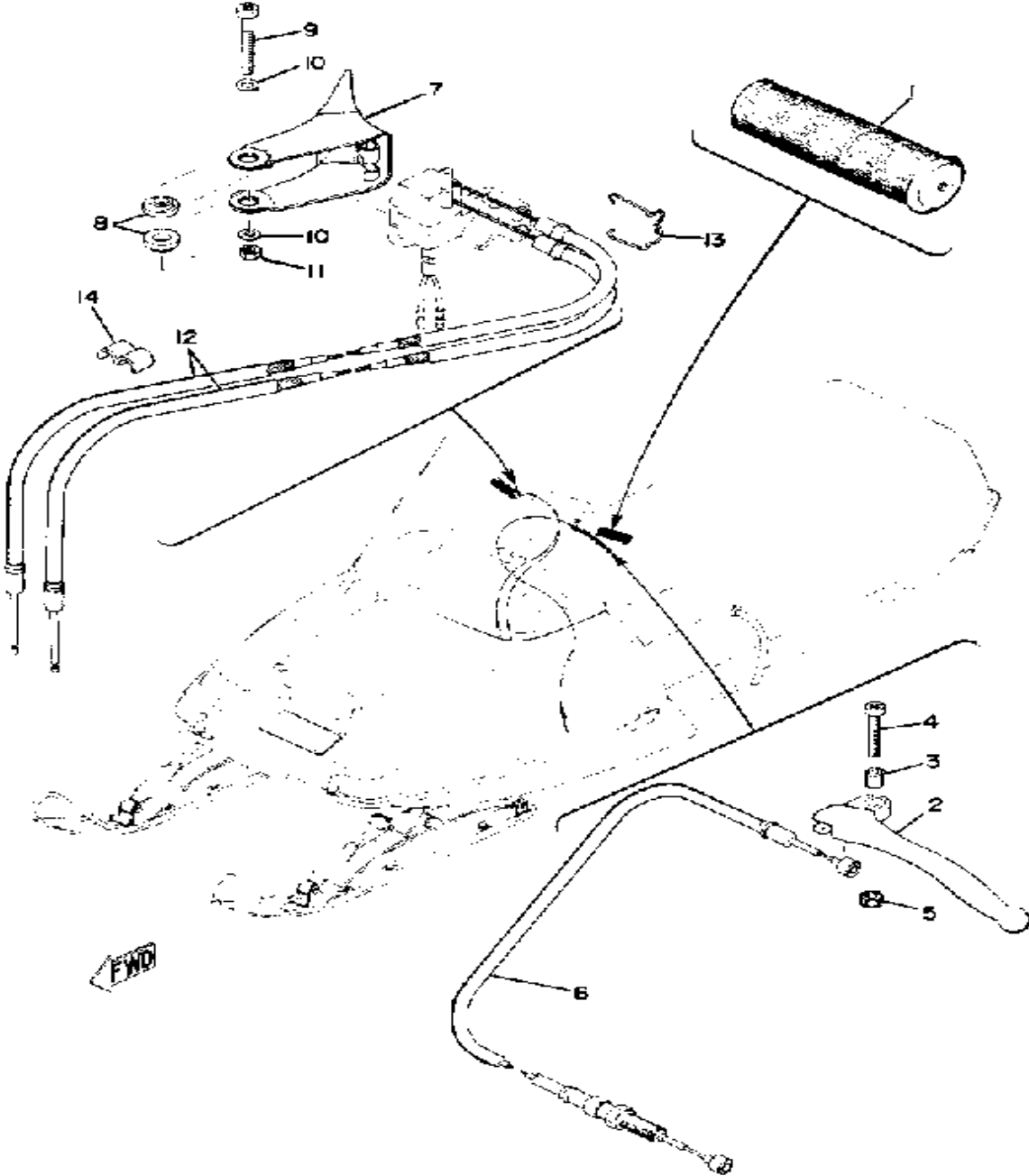
SKI



Ref. No.	Part Number	Description	Qty	Remarks
29	90387-08224-00	COLLAR	2	
30	95611-08100-00	NUT, U	4	
31	90102-12022-00	BOLT, WITH HOLE	2	
32	90171-12040-00	NUT, CASTLE	2	
33	91401-30030-00	PIN, COTTER	2	

Property of www.SmallEngineDiscount.com - Not for Resale

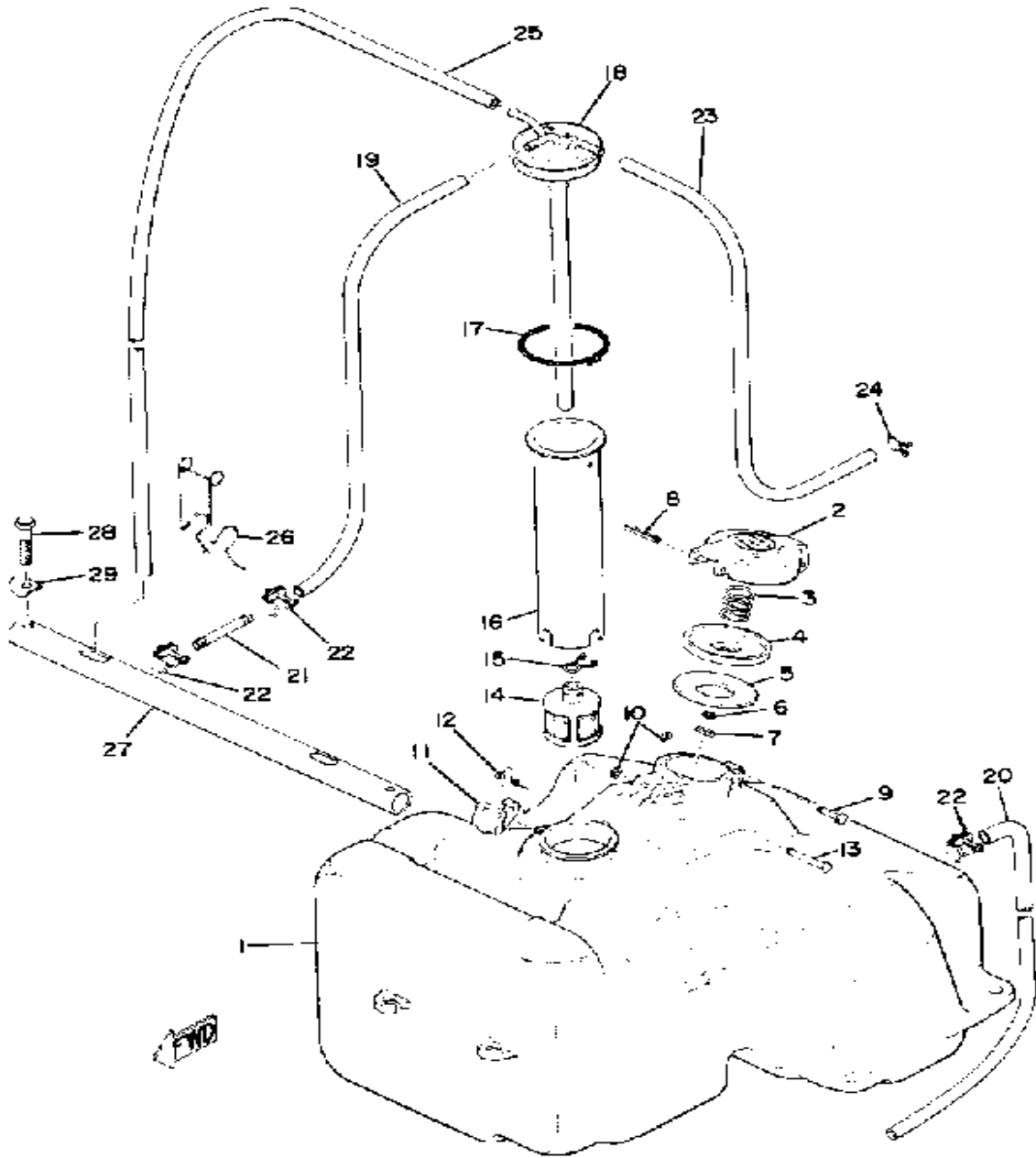
GRIP-WIRING



Ref. No.	Part Number	Description	Qty	Remarks
1	801-26241-01-00	GRIP LH (L.H.)	2	
2	803-83912-00-38	LEVER L	1	
3	802-83913-00-00	COLLAR, LEVER 1	1	
4	(849-83915-00-00)	SCREW, LVR FITTING	1	
5	95601-05100-00	NUT, U	1	
6	8A5-26340-00-00	CABLE, BRAKE	1	
7	(8H0-42138-00-00)	LEVER, THROTTLE	1	
8	90387-062M9-00	COLLAR	2	
9	90157-06004-00	SCREW, PAN HEAD (810-83925-00)	1	
10	92901-06600-00	WASHER	2	
11	95601-06100-00	NUT, U	1	
12	8A5-26311-00-00	CABLE, THROTTLE 1	1	
13	(878-26391-00-00)	CLIP, CABLE	1	
14	861-82361-00-00	CLAMP, CORD	2	

Property of www.SmallEngineDiscount.com - Not for Resale

FUEL TANK

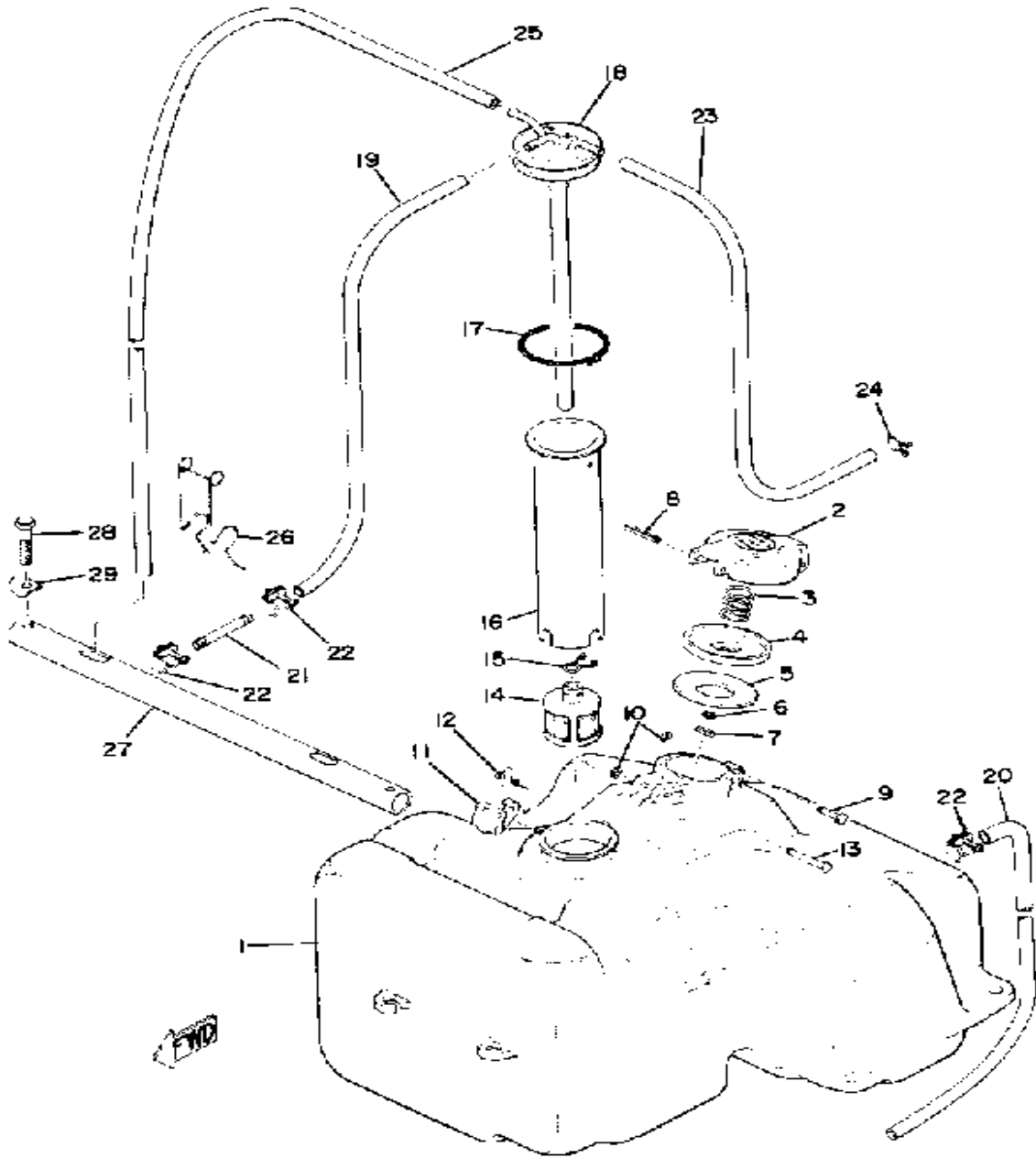


Ref. No.	Part Number	Description	Qty	Remarks
1	8A5-24111-00-00	FUEL TANK	1	
2	813-24611-01-00	BODY, CAP	1	
3	90501-20130-00	SPRING, COMPRESSION	1	
4	813-24613-01-00	DISC, CAP	1	
5	256-24612-00-00	GASKET, CAP	1	
6	93210-04122-00	O-RING	1	
7	91609-30016-00	PIN, SPRING	1	
8	91609-25032-00	PIN, SPRING	1	
9	90249-03016-00	PIN, SPEC'L SHAPE	1	
10	93430-02001-00	CIRCLIP	2	
11	83M-24628-00-00	HOOK	1	
12	90508-08003-00	SPRING, TORSION (813-24637-00)	1	
13	90249-03017-00	PIN	1	
14	8H5-24560-00-00	FILTER ASSEMBLY	1	
15	90467-11009-00	CLIP	2	
16	838-24336-00-00	PIPE, SUCTION 2	1	
17	90506-06065-00	SPRING, TENSION	1	
18	(878-24335-00-00)	PIPE, SUCTION 1	1	
19	(90446-11082-00)	HOSE	1	
20	91A20-07018-00	TUBE, FLEXIBLE VINYL	1	
21	878-24379-00-00	PIPE, JOINT 4	1	
22	90460-11002-00	CLAMP, HOSE	3	
23	90446-09013-00	HOSE (90446-09079)	1	
24	90467-09005-00	CLIP, SCISSOR	1	
25	90446-09051-00	HOSE (806-24319-00)	1	
26	90465-11044-00	CLAMP	1	
27	(878-24173-01-00)	BAND, TNK FITTING 1	1	
28	97313-06040-00	BOLT, HEXAGON	2	

CONTINUED ON NEXT FRAME ➤

Property of www.SmallEngineDiscount.com - Not for Resale

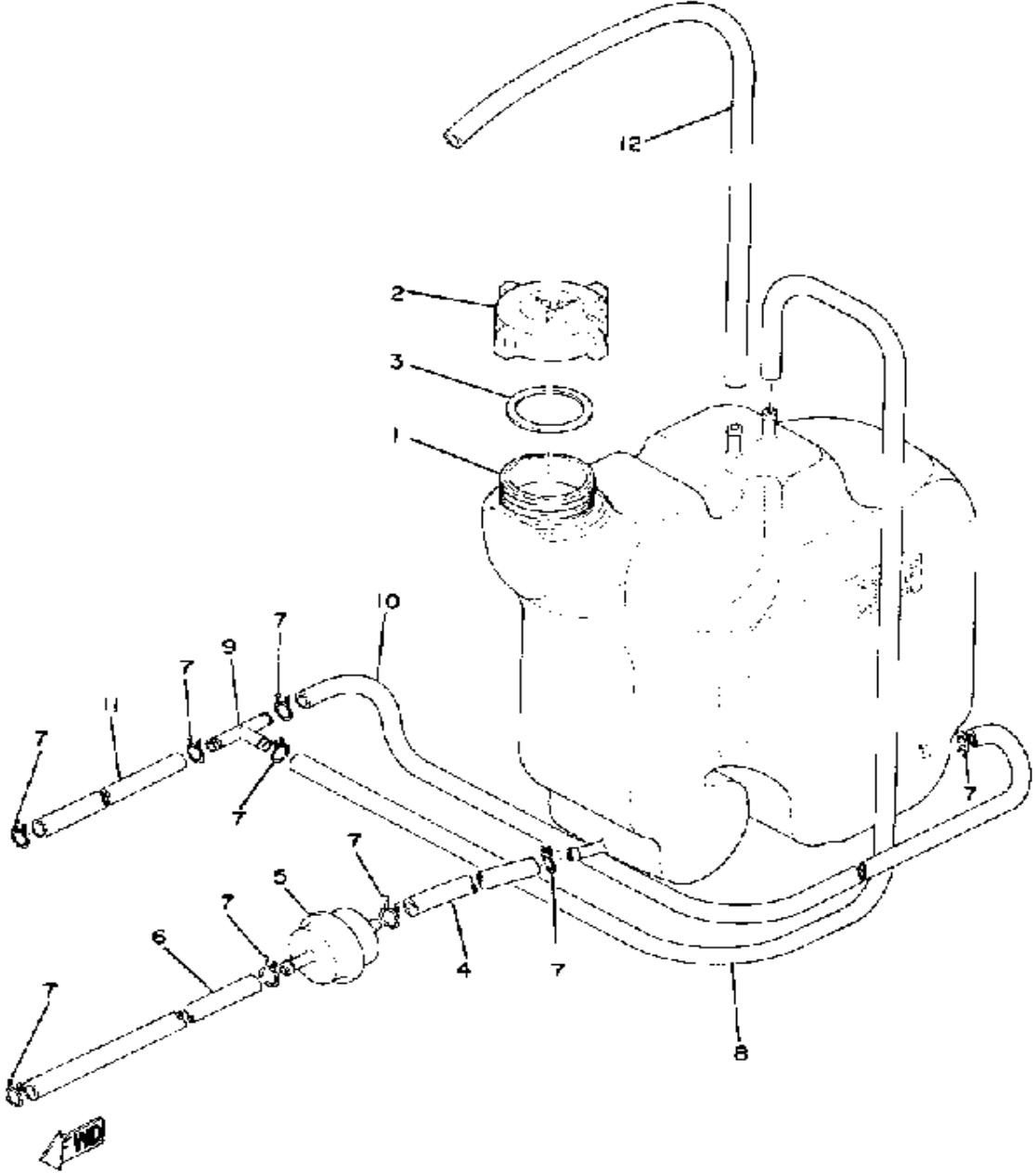
FUEL TANK



Ref. No.	Part Number	Description	Qty	Remarks
29	(90215-06048-00)	WASHER, LOCK	2	

Property of www.SmallEngineDiscount.com - Not for Resale

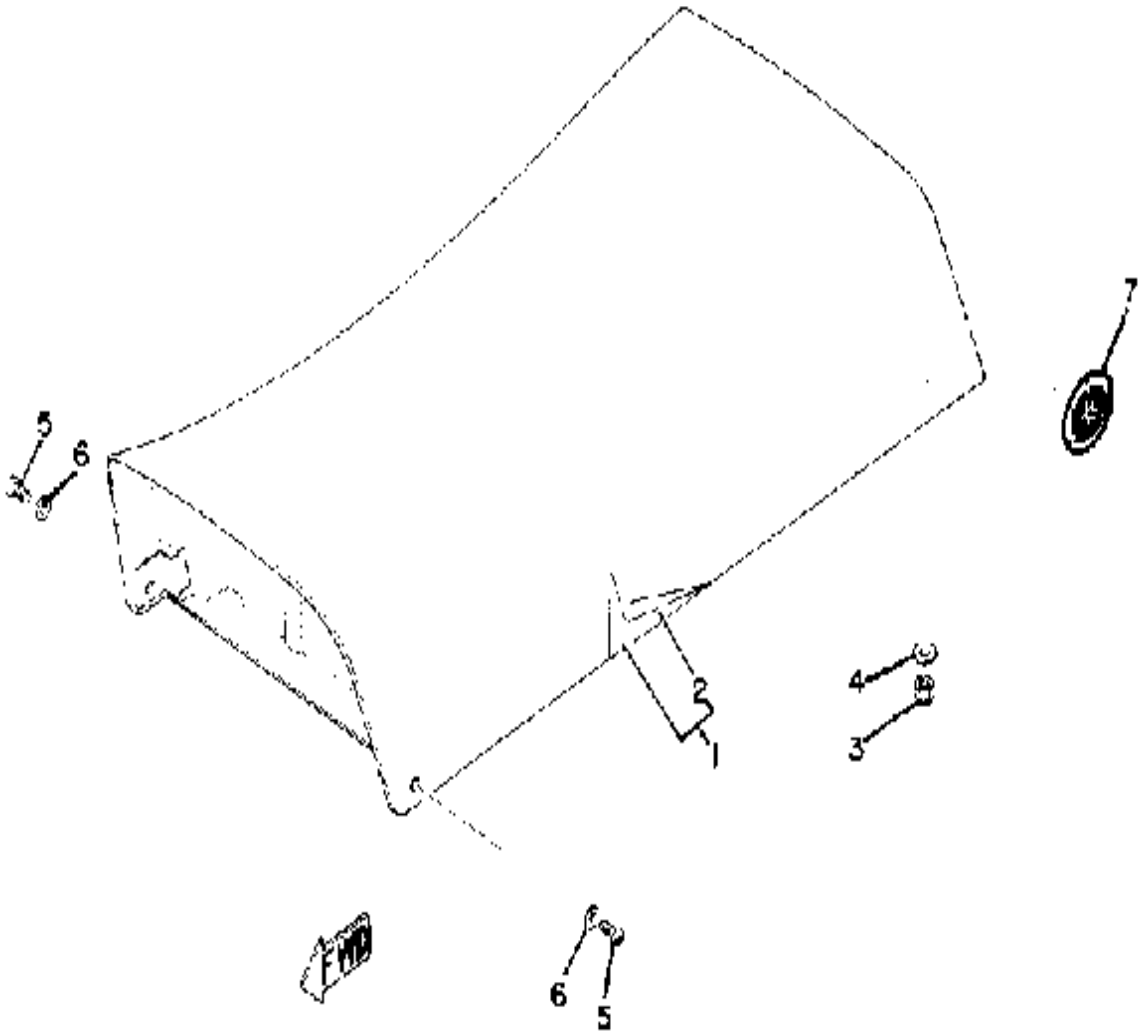
OIL TANK



Ref. No.	Part Number	Description	Qty	Remarks
1	878-21751-01-00	TANK, OIL	1	
2	863-21771-00-00	BODY, CAP	1	
3	90430-31003-00	GASKET	1	
4	90446-09067-00	HOSE	1	
5	J10-13410-00-00	STRAINER HSNG ASSEMBLY .	1	
6	90446-09065-00	HOSE	1	
7	90467-09005-00	CLIP, SCISSOR	9	
8	90446-09060-00	HOSE	1	
9	801-24376-00-00	PIPE, JOINT 1	1	
10	90446-09088-00	HOSE	1	
11	90446-09062-00	HOSE	1	
12	91A20-05036-00	TUBE, FLEXIBLE	1	

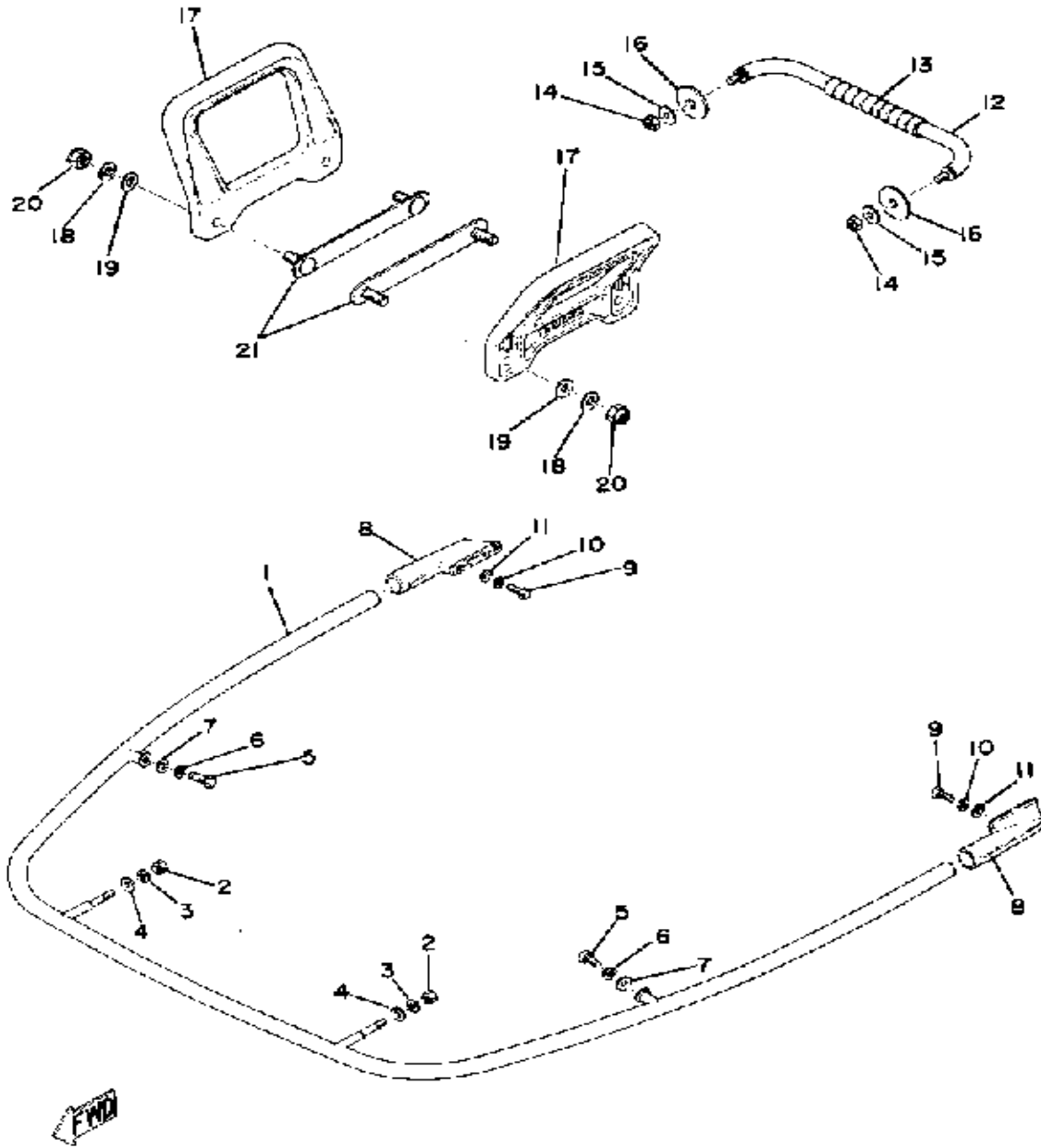
Property of www.SmallEngineDiscount.com - Not for Resale

SEAT



Ref. No.	Part Number	Description	Qty	Remarks
1	(8E7-24730-00-00)	DOUBLE SEAT ASSEMBLY ...	1	
2	8A5-24731-00-00	. COVER, DOUBLE SEAT	1	
3	95611-08100-00	NUT, U	2	
4	92990-08200-00	WASHER (92901-08200)	2	
5	98906-06016-00	SCREW, BIND	2	
6	90201-06059-00	WASHER, PLATE	2	
7	821-77352-00-00	EMBLEM 2	2	

Property of www.SmallEngineDiscount.com - Not for Resale

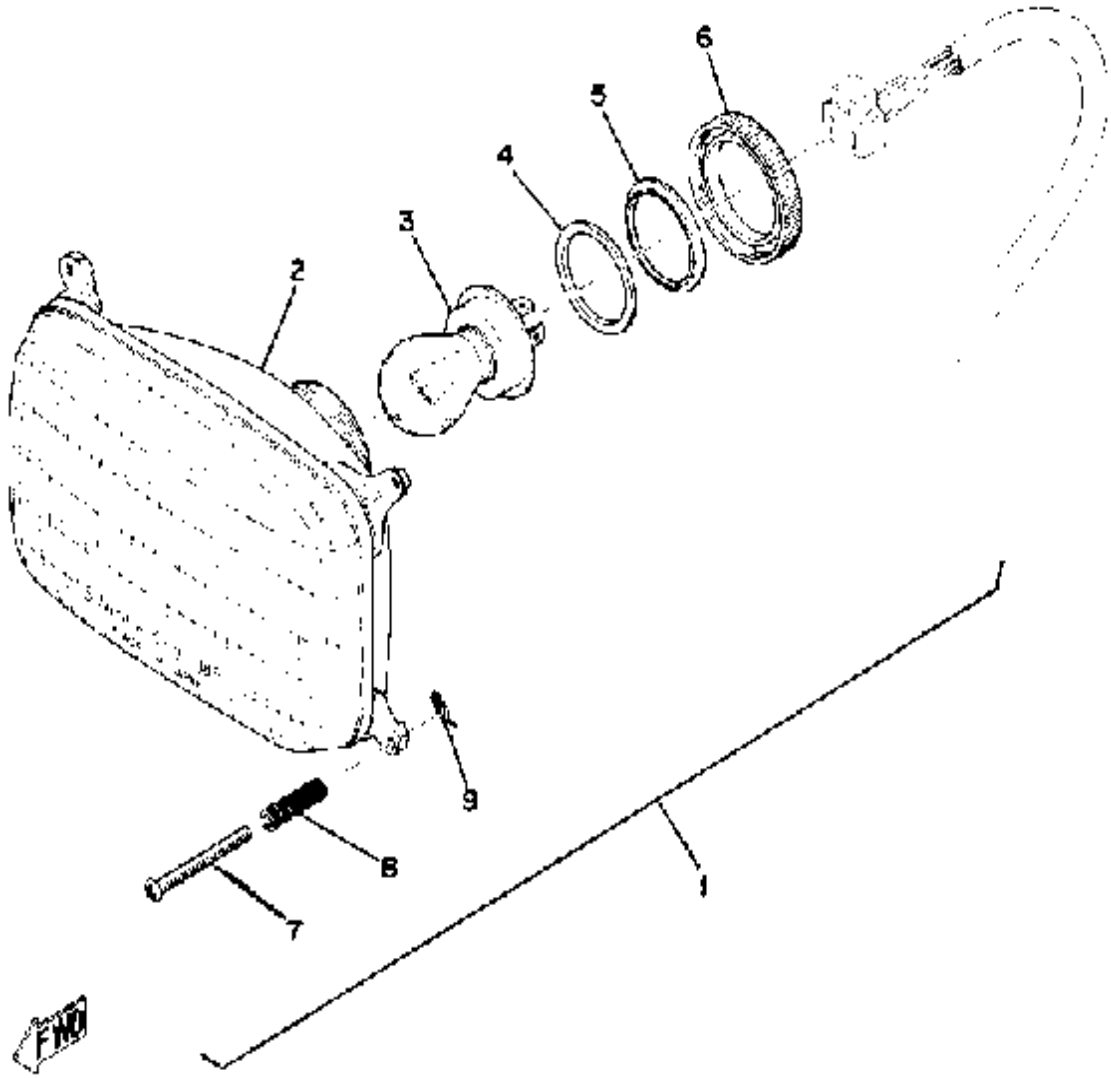


BUMPER

Ref. No.	Part Number	Description	Qty	Remarks
1	878-77510-00-00	FRONT BUMPER	1	
2	95333-08600-00	NUT (6L2)	2	
3	92990-08100-00	WASHER, SPRING (92901-08100)	2	
4	92901-08600-00	WASHER	2	
5	97001-08025-00	BOLT (1NV)	2	
6	92990-08100-00	WASHER, SPRING (92901-08100)	2	
7	92901-08600-00	WASHER	2	
8	878-77523-01-00	END, BUMPER	2	
9	97001-05018-00	BOLT HEXAGON	4	
10	92990-05100-00	WASHER, SPRING (92901-05100)	4	
11	92901-05600-00	WASHER	4	
12	878-77541-00-00	BUMPER, REAR 1	1	
13	838-77575-00-00	COVER, ASSIST GRIP	1	
14	95611-08100-00	NUT, U	2	
15	92901-08600-00	WASHER	2	
16	90201-81140-0	UNAVAILABLE IN PRICE BOOK	2	
17	FJ0-63771-30-00	GRIP, ASSIST	2	
18	92990-08100-00	WASHER, SPRING (92901-08100)	4	
19	90201-08107-00	WASHER, PLATE	4	
20	95303-08800-00	NUT (CROWN)	4	
21	898-77576-00-00	BRKT, ASSIST GRIP	2	

Property of www.SmallEngineDiscount.com - Not for Resale

HEAD LAMP

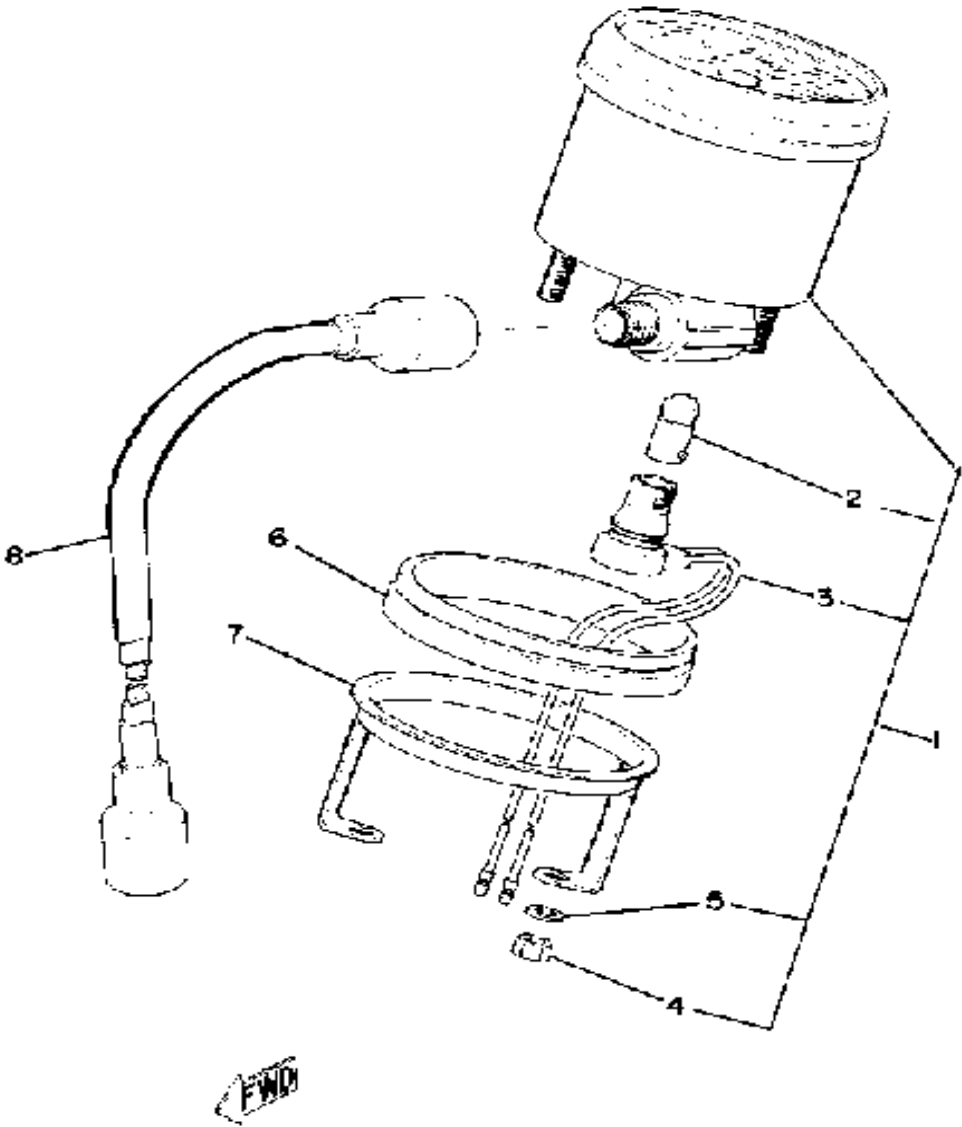


Ref. No.	Part Number	Description	Qty	Remarks
1	(8A5-84310-80-00)	HEADLIGHT UNIT ASSEMBLY .	1	
2	8A5-84320-00-00	. LENS ASSEMBLY	1	
3	838-84314-00-00	. BULB, HEADLIGHT	1	
4	838-84327-00-00	. WASHER, SPECIAL	1	
5	838-84328-00-00	. SPACER	1	
6	838-84317-00-00	. NUT	1	
7	8M6-84331-00-00	. SCREW, RIM ADJUSTING . . .	1	
8	8A5-84332-00-00	. SPRING, SCREW	1	
9	(807-84351-00-00)	CLAMP, CORD	1	

Property of www.SmallEngineDiscount.com - Not for Resale

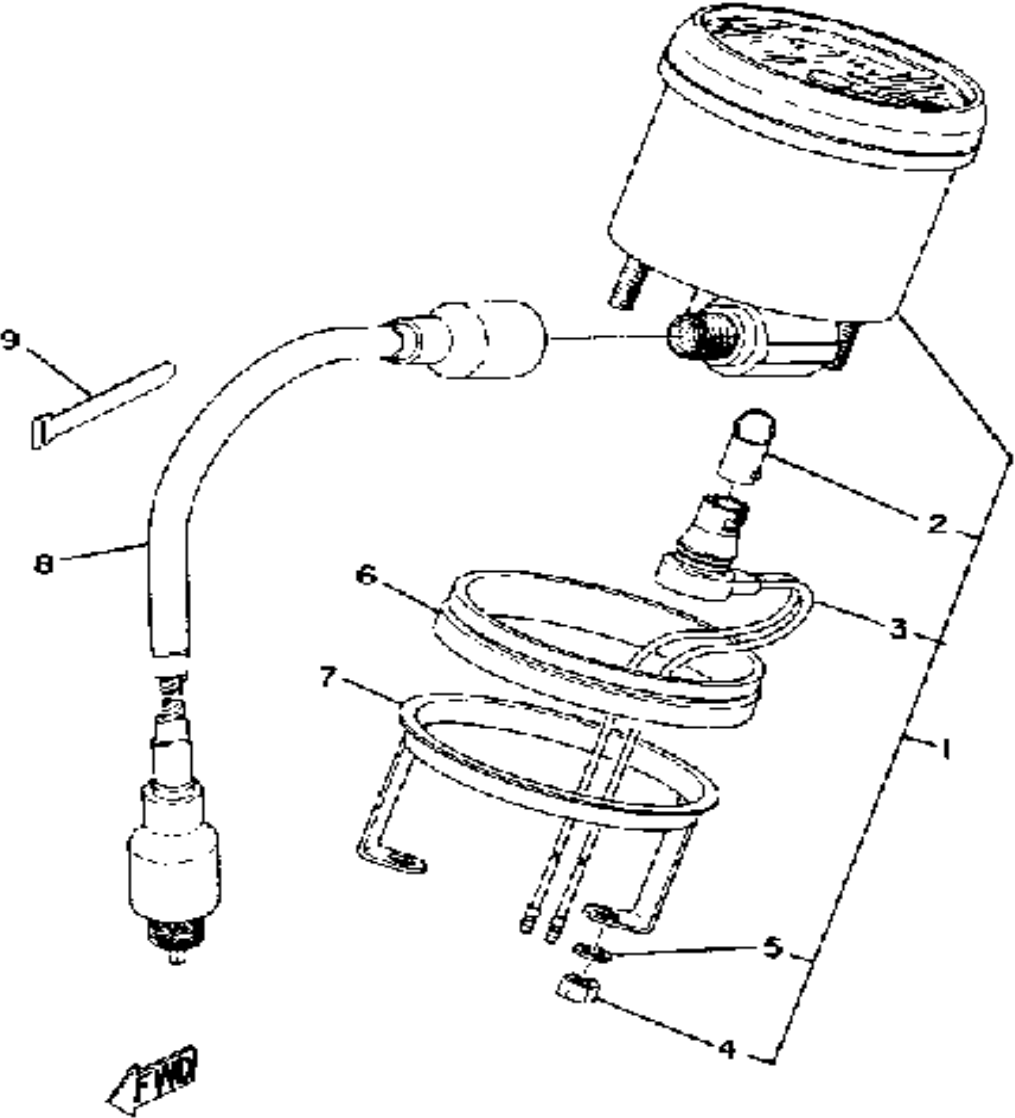
SPEEDOMETER

Ref. No.	Part Number	Description	Qty	Remarks
1	(888-83510-41-00)	SPEEDOMETER ASSEMBLY ..	1	MPH
2	123-83516-21-00	. BULB (12V-3.4W)	1	
3	(861-83536-40-00)	SOCKET, METER	1	
4	95380-05600-00	. NUT	2	
5	92990-05100-00	. WASHER, SPRING (92901-05100)	2	
6	861-83523-40-00	DAMPER	1	
7	861-83514-40-00	PLATE, FITTING	1	
8	839-83550-01-00	SPEEDOMETER CABLE	1	



Property of www.SmallEngineDiscount.com - Not for Resale

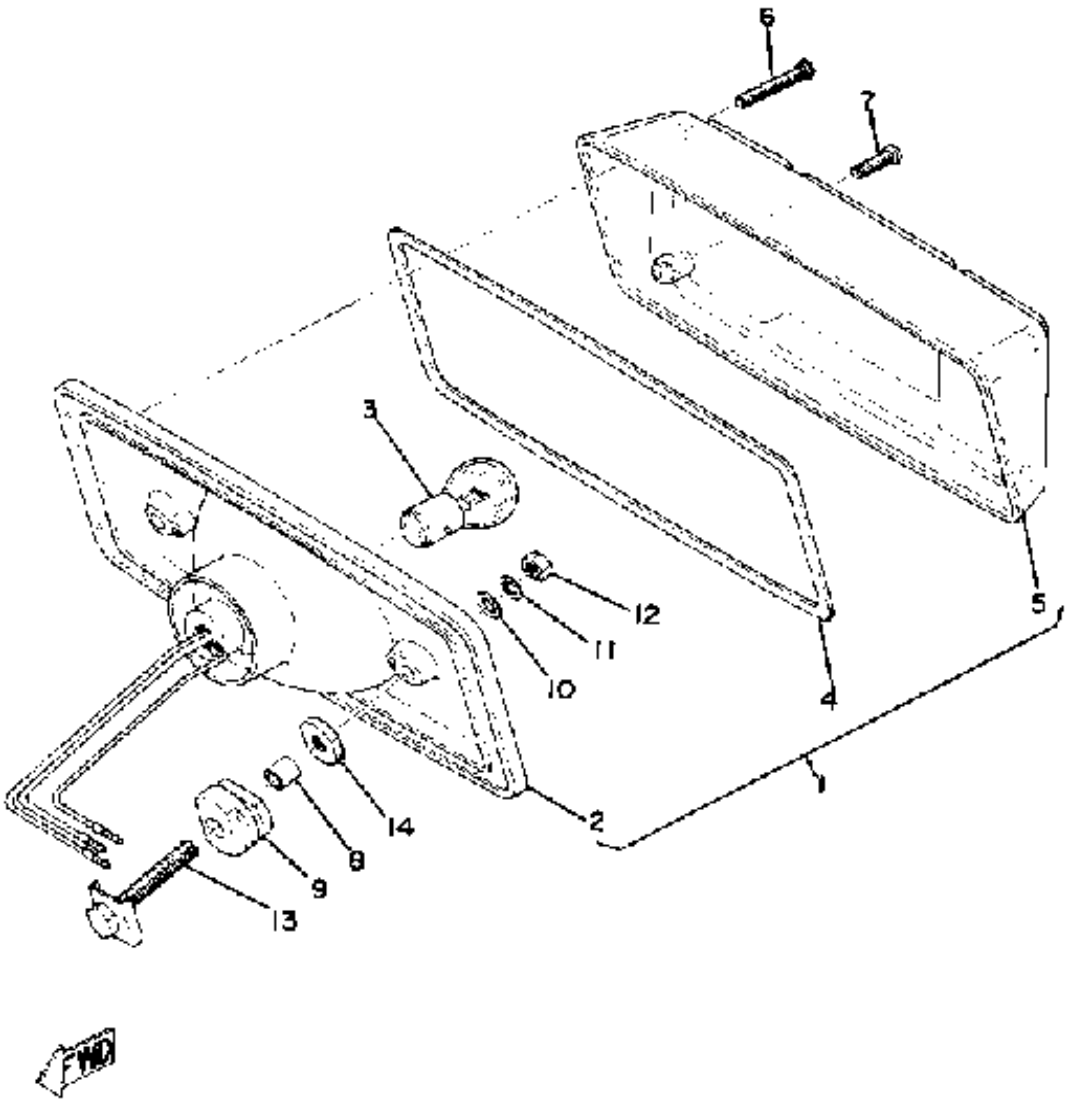
TACHOMETER



Ref. No.	Part Number	Description	Qty	Remarks
1	(878-83540-01-00)	TACHOMETER ASSEMBLY ...	1	
2	123-83516-21-00	. BULB (12V-3.4W)	1	
3	(861-83536-40-00)	SOCKET, METER	1	
4	95380-05600-00	. NUT	2	
5	92990-05100-00	. WASHER, SPRING (92901-05100)	2	
6	861-83523-40-00	DAMPER	1	
7	861-83514-40-00	PLATE, FITTING	1	
8	819-83560-01-00	TACHOMETER CABLE	1	
9	437-83936-11-00	BAND, SWITCH CORD	1	

Property of www.SmallEngineDiscount.com - Not for Resale

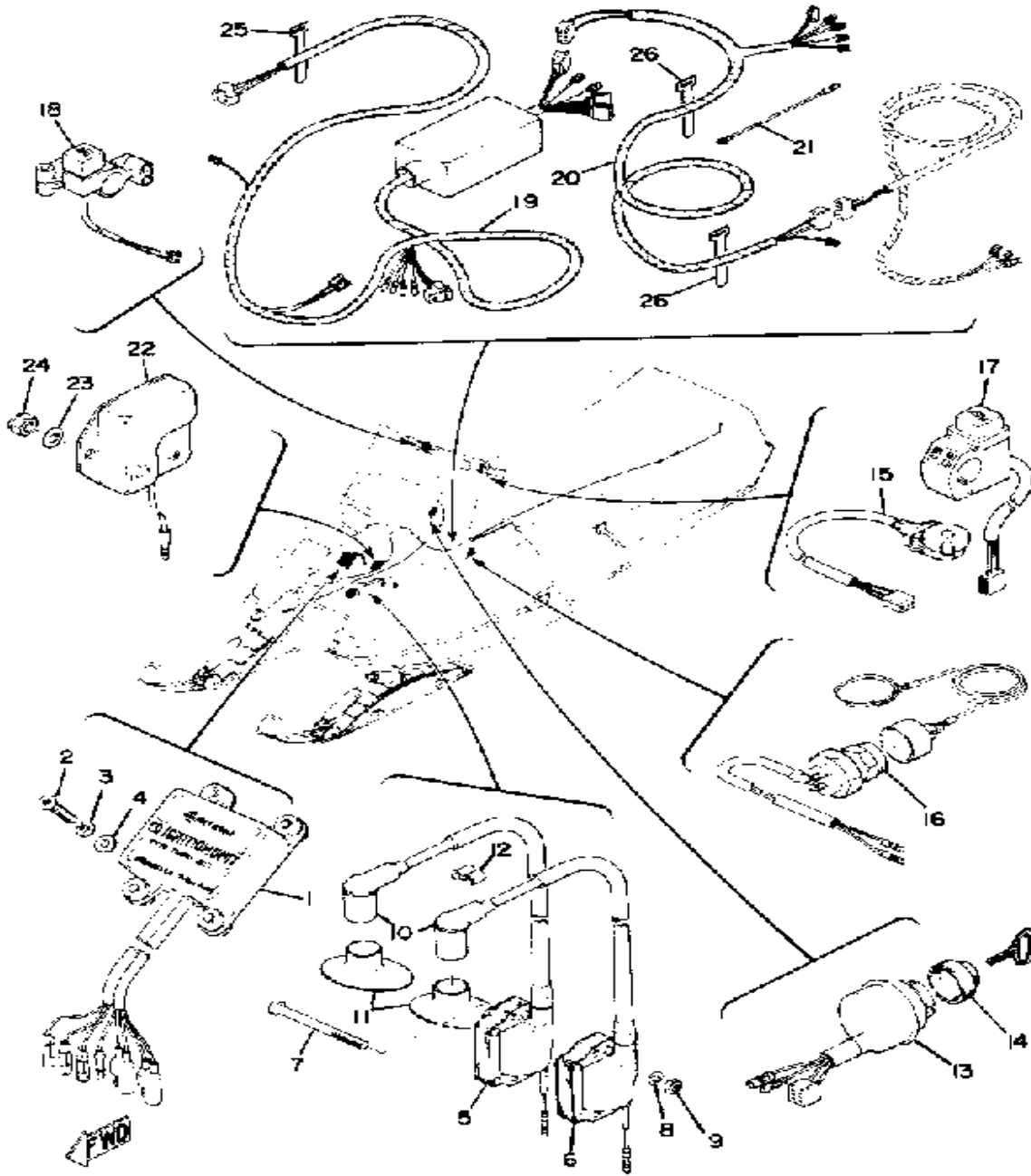
TAIL LAMP



Ref. No.	Part Number	Description	Qty	Remarks
1	8A1-84710-00-00	TAILLIGHT UNIT ASSEMBLY ..	1	
2	8A1-84710-00-00	. TAILLIGHT UNIT ASSEMBLY .	1	
3	137-84714-61-00	. BULB, TL 12V23/8W (J50-83311-00)	1	
4	821-84712-00-00	. SEAT, BASE	1	
5	821-84721-00-00	. LENS, TAILLIGHT	1	
6	98511-04030-00	. SCREW, PAN HEAD	2	
7	98503-04014-00	. SCREW, PAN HEAD	2	
8	90387-074W0-00	COLLAR	2	
9	90480-10187-00	GROMMET	2	
10	92901-06600-00	WASHER	2	
11	92995-06100-00	WASHER	2	
12	95380-06600-00	NUT	2	
13	90109-06428-00	BOLT	2	
14	90179-06209-00	NUT, SPEC'L SHAPE	2	

Property of www.SmallEngineDiscount.com - Not for Resale

ELECTRICAL



Ref. No.	Part Number	Description	Qty	Remarks
1	888-85540-10-00	CDI UNIT ASSEMBLY	1	
2	98503-05025-00	SCREW, PAN HEAD	4	
3	92990-05100-00	WASHER, SPRING (92901-05100)	4	
4	92990-05200-00	WASHER (92902-05200)	4	
5	8A5-82310-30-00	IGNITION COIL ASSEMBLY ...	1	
6	(8A5-82320-30-00)	IGNITION COIL ASSEMBLY ...	1	
7	98506-06070-00	SCREW, PAN HEAD	2	
8	92906-06100-00	WASHER, SPRING	2	
9	95316-06600-00	NUT	2	
10	8A5-82370-20-00	PLUG CAP ASSEMBLY	2	
11	(8A1-82372-00-00)	SEAL, PLUG CAP	2	
12	90464-60067-00	CLAMP	1	
13	898-82508-20-00	MAIN SWITCH ASSEMBLY ...	1	
14	806-82516-00-00	COLLAR, MAIN SWITCH	1	
15	878-82530-00-00	STOP SWITCH ASSEMBLY ...	1	
16	8J7-82550-01-00	STOP SWITCH ASSEMBLY ...	1	
17	878-83950-00-00	BEAM SWITCH ASSEMBLY ...	1	
18	(8A5-83976-00-00)	SWITCH, HANDLE 1	1	
19	(8A5-82590-21-00)	WIRE HARNESS ASSEMBLY ..	1	
20	(8A5-82580-20-00)	WIRE HARNESS ASSEMBLY 2	1	
21	(838-82519-00-00)	WIRE, EARTH LEAD	1	
22	82F-81910-A0-00	VOLTAGE REGULATOR ASSEMBLY	1	
23	92901-06600-00	WASHER	2	
24	95601-06100-00	NUT, U	2	
25	J45-83936-00-00	BAND, SWITCH CORD	1	
26	437-83936-11-00	BAND, SWITCH CORD	2	

CONTINUED ON NEXT FRAME ►

Property of www.SmallEngineDiscount.com - Not for Resale

EX340

1976 SERVICE DATA

SNOWMOBILE
S5-015

MODEL – IBM I.D. NUMBER	EX340	8A6
Starting Engine and Frame Number	SS338-000101	8A6-000101
ENGINE (type) (induction system)	2-stroke, 5-port, Twin, Forced Air-cooled	
Bore x Stroke x Cylinders	60 x 59.6mm x 2	338cc
Displacement		
Compression Ratio/Compression Pressure	6.4:1	N/A
Piston Skirt Clearance (new/max)	.045 ~ .050mm (.0018 ~ .0020")/0.1mm (.004")	
Ring End Gap (top/2nd)	0.35 ~ 0.55mm (.014 ~ .022") / ϕ	
Ring Groove Clearance (top/2nd)	.03 ~ .07mm (.0012 ~ .0028") / ϕ	
CARBURETOR (mfr) (type) (I.D. number)	Keihin	PW42-38 8A600
Quantity/Venturi size (measured) (effective)	1 / 42mm / 38mm	
Fuel Inlet Valve (size)/Float Level	1.6mm / 20mm	
Jet Needle/Needle Jet/Cut Away	431302-3 / No. 6 / No. 2.5	
Main Jet/Slow Jet/Air Screw (turns out)	No. 155 / No. 50 / 1.0	
Idle Speed	2,000 rpm	
AUTOLUBE – Pump Color/Control Rod Adj.	Black	At Idle
Pump Plunger Stroke (min) (max)	0.20~0.25mm(.008~.010")/2.05~2.27mm(.081~.09")	
Output @ 200 strokes (full throttle/idle)	5.15 ~ 5.71cc / 0.50 ~ 0.63cc	
DRIVE (type)	V-belt, Automatic	
Primary Sheave Engagement RPM	3,600 ~ 3,800 rpm	
Belt Length/Width/Wear Limit/IBM number	1,099mm(43.27")/31.5mm(1.24")/26mm(1.02")/8A1	
Primary Ratio(s)	1:1 ~ 1:3.5	
Sheave Center to Center/Offset	270 \pm $\frac{0}{3}$ mm(10.63 \pm $\frac{0}{.080}$ ")/5.5 \pm $\frac{0}{.5}$ mm(0.22 \pm $\frac{0}{.020}$ ")	
Primary Spring Color/Length/Rate	Blue-White / 78.2mm (3.079") / 2.4kg/mm	
Secondary Spring Pre-load/Part Number	210 ⁰ / 90508-45287-00	
Secondary Drive Ratio/Chain Pitch-type/Freeplay	33/19 / No. 35-Triplex / 10mm	
Track (width)/Tension	15" / 25mm (1") deflection w/22 lbs. pull	
SLIDE SUSPENSION – Stopper Band/Rear Spring	5th hole Std. / Center Position Std.	
CAPACITIES – Chain Case (quantity) (type)	320cc (10.9 oz.) SAE 10W/30 Oil	
Fuel Tank (quantity) (grade)	6.0 gals. Regular Gas	
Autolube Tank (quantity) (type)	3.0 qts. Yamalube 2-stroke	
Torque Converter (quantity) (type)	ϕ	
ELECTRICAL – Charging System (mfr) (type)	Hitachi	Flywheel Magneto (CDI)
Lighting Output at Full Load	N/A	
Headlight/Tailight/Instrument Ratings	12V60W/60W / 12V8W / 12V3.4W	
Lighting Coil Resistance	(Yellow) 0.195 Ω \pm 10%	
Stoplight Coil Resistance	(Green) 1.20 Ω \pm 10%	
Ignition Source Coil Resistance (charge coil)	100 Ω \pm 10%	
Pulser Coil Resistance	85 Ω \pm 10%	
Coil Resistance (primary) (secondary)	0.61 Ω \pm 10% / 6.0K Ω \pm 20%	
Breaker Point Gap	ϕ	
Spark Plug Type/Heat Range/Gap	NGK	BR-9EV 0.6mm
Timing (B.T.D.C.)*	1.6 \pm 0.1mm B.T.D.C.	

N/A = Information Not Available
 ϕ = Does Not Apply To This Model

*After setting statically, check with timing light.

EX440

1976 SERVICE DATA

SNOWMOBILE
S5-014

MODEL – IBM I.D. NUMBER	EX440	8A5
Starting Engine and Frame Number	SS433-000101	8A5-000101
ENGINE (type) (induction system)	2-stroke, 7-port, Twin, Forced Air-cooled	
Bore x Stroke x Cylinders	68 x 59.6mm x 2	433cc
Displacement		
Compression Ratio/Compression Pressure	7.0:1	N/A
Piston Skirt Clearance (new/max)	.045 ~ .050mm (.0018 ~ .0020")/0.1mm (.004")	
Ring End Gap (top/2nd)	0.35 ~ 0.55mm (.014 ~ .022") / ϕ	
Ring Groove Clearance (top/2nd)	.03 ~ .07mm (.0012 ~ .0028") / ϕ	
CARBURETOR (mfr) (type) (I.D. number)	Keihin	PW42-38 8A500
Quantity/Venturi size (measured) (effective)	1 / 42mm / 38mm	
Fuel Inlet Valve (size)/Float Level	1.6mm / 20mm	
Jet Needle/Needle Jet/Cut Away	431102-4 / No. 6 / No. 2.5	
Main Jet/Slow Jet/Air Screw (turns out)	No. 155 / ϕ / 1 1/4	
Idle Speed	1,500 rpm	
AUTOLUBE – Pump Color/Control Rod Adj.	Red	At Idle
Pump Plunger Stroke (min) (max)	0.20~0.25mm(.008~.010")/2.05~2.27mm(.081~.09")	
Output @ 200 strokes (full throttle/idle)	0.95 ~ 1.19cc	
DRIVE (type)	V-belt, Automatic	
Primary Sheave Engagement RPM	3,400 ~ 3,600 rpm	
Belt Length/Width/Wear Limit/IBM number	1,099mm (43.27")/31.5mm (1.24")/26mm(1.02")/8A1	
Primary Ratio(s)	1:1 ~ 1:3.5	
Sheave Center to Center/Offset	270 \pm $\frac{0}{3}$ mm (10.63 \pm $\frac{0}{.080}$ ")/5.5 \pm $\frac{0}{.5}$ mm (0.22 \pm $\frac{0}{.020}$ ")	
Primary Spring Color/Length/Rate	Yellow-White / 84.4mm (3.32") / 1.75kg/mm	
Secondary Spring Pre-load/Part Number	150 ⁰ / 90508-45301-00	
Secondary Drive Ratio/Chain Pitch-type/Freeplay	N/A / No. 35-Triplex / 10mm	
Track (width)/Tension	15" / 25mm (1") deflection w/22 lbs. pull	
SLIDE SUSPENSION – Stopper Band/Rear Spring	5th hole Std. / Center Position Std.	
CAPACITIES – Chain Case (quantity) (type)	320cc (10.82 oz.) SAE 10W/30 Oil	
Fuel Tank (quantity) (grade)	6.0 gals. Regular Gas	
Autolube Tank (quantity) (type)	3.0 qts. Yamalube 2-stroke	
Torque Converter (quantity) (type)	ϕ	
ELECTRICAL – Charging System (mfr) (type)	Hitachi	Flywheel Magneto (CDI)
Lighting Output at Full Load	N/A	
Headlight/Tailight/Instrument Ratings	12V60W/60W / 12W8W / 12V3.4W	
Lighting Coil Resistance	(Yellow) 0.195 Ω \pm 10%	
Stoplight Coil Resistance	(Green) 1.20 Ω \pm 10%	
Ignition Source Coil Resistance (charge coil)	100 Ω \pm 10%	
Pulser Coil Resistance	85 Ω \pm 10%	
Coil Resistance (primary) (secondary)	0.61 Ω \pm 10% / 6.0K Ω \pm 20%	
Breaker Point Gap	ϕ	
Spark Plug Type/Heat Range/Gap	NGK	BR-9EV 0.6mm
Timing (B.T.D.C.)*	1.6 \pm 0.1mm B.T.D.C.	

N/A = Information Not Available
 ϕ = Does Not Apply To This Model

*After setting statically, check with timing light.

Property of www.SmallEngineDiscount.com - Not for Resale

EX440

SNOWMOBILE
S5-014

1976 SERVICE DATA

MODEL - IBM I.D. NUMBER	EX440	8A5
Starting Engine and Frame Number	SS433-000101	8A5-000101
ENGINE (type) (induction system)	2-stroke, 7-port, Twin, Forced Air-cooled	
Bore x Stroke x Cylinders	68 x 59.6mm x 2	433cc
Displacement	433cc	
Compression Ratio/Compression Pressure	7.0:1	N/A
Piston Skirt Clearance (new/max)	.045 ~ .050mm (.0018 ~ .0020")/0.1mm (.004")	
Ring End Gap (top/2nd)	0.35 ~ 0.55mm (.014 ~ .022") / ϕ	
Ring Groove Clearance (top/2nd)	.03 ~ .07mm (.0012 ~ .0028") / ϕ	
CARBURETOR (mfr) (type) (I.D. number)	Keihin	PW42-38 8A500
Quantity/Venturi size (measured) (effective)	1 / 42mm / 38mm	
Fuel Inlet Valve (size)/Float Level	1.6mm / 20mm	
Jet Needle/Needle Jet/Cut Away	431102-4 / No. 6 / No. 2.5	
Main Jet/Slow Jet/Air Screw (turns out)	No. 155 / ϕ / 1 1/4	
Idle Speed	1,500 rpm	
AUTOLUBE - Pump Color/Control Rod Adj.	Red	At Idle
Pump Plunger Stroke (min) (max)	0.20~0.25mm(.008~.010")/2.05~2.27mm(.081~.09")	
Output @ 200 strokes (full throttle/idle)	0.95 ~ 1.19cc	
DRIVE (type)	V-belt, Automatic	
Primary Sheave Engagement RPM	3,400 ~ 3,600 rpm	
Belt Length/Width/Wear Limit/IBM number	1,099mm (43.27")/31.5mm (1.24")/26mm(1.02")/8A1	
Primary Ratio(s)	1:1 ~ 1:3.5	
Sheave Center to Center/Offset	270 \pm 3mm (10.63 \pm 0.080")/5.5 \pm 0.5mm (0.22 \pm 0.020")	
Primary Spring Color/Length/Rate	Yellow-White / 84.4mm (3.32") / 1.75kg/mm	
Secondary Spring Pre-load/Part Number	150 ^o / 90508-45301-00	
Secondary Drive Ratio/Chain Pitch-type/Freeplay	N/A / No. 35-Triplex / 10mm	
Track (width)/Tension	15" / 25mm (1") deflection w/22 lbs. pull	
SLIDE SUSPENSION - Stopper Band/Rear Spring	5th hole Std. / Center Position Std.	
CAPACITIES - Chain Case (quantity) (type)	320cc (10.82 oz.) SAE 10W/30 Oil	
Fuel Tank (quantity) (grade)	6.0 gals. Regular Gas	
Autolube Tank (quantity) (type)	3.0 qts. Yamalube 2-stroke	
Torque Converter (quantity) (type)	ϕ	
ELECTRICAL - Charging System (mfr) (type)	Hitachi	Flywheel Magneto (CDI)
Lighting Output at Full Load	N/A	
Headlight/Tailight/Instrument Ratings	12V60W/60W / 12W8W / 12V3.4W	
Lighting Coil Resistance	(Yellow) 0.195 Ω \pm 10%	
Stoplight Coil Resistance	(Green) 1.20 Ω \pm 10%	
Ignition Source Coil Resistance (charge coil)	100 Ω \pm 10%	
Pulser Coil Resistance	85 Ω \pm 10%	
Coil Resistance (primary) (secondary)	0.61 Ω \pm 10% / 6.0K Ω \pm 20%	
Breaker Point Gap	ϕ	
Spark Plug Type/Heat Range/Gap	NGK	BR-9EV 0.6mm
Timing (B.T.D.C.) *	1.6 \pm 0.1mm B.T.D.C.	

N/A = Information Not Available

* After setting statically, check with timing light.

 ϕ = Does Not Apply To This Model

Property of www.SmallEngineDiscount.com - Not for Resale