



**YAMAHA**

**GENUINE**

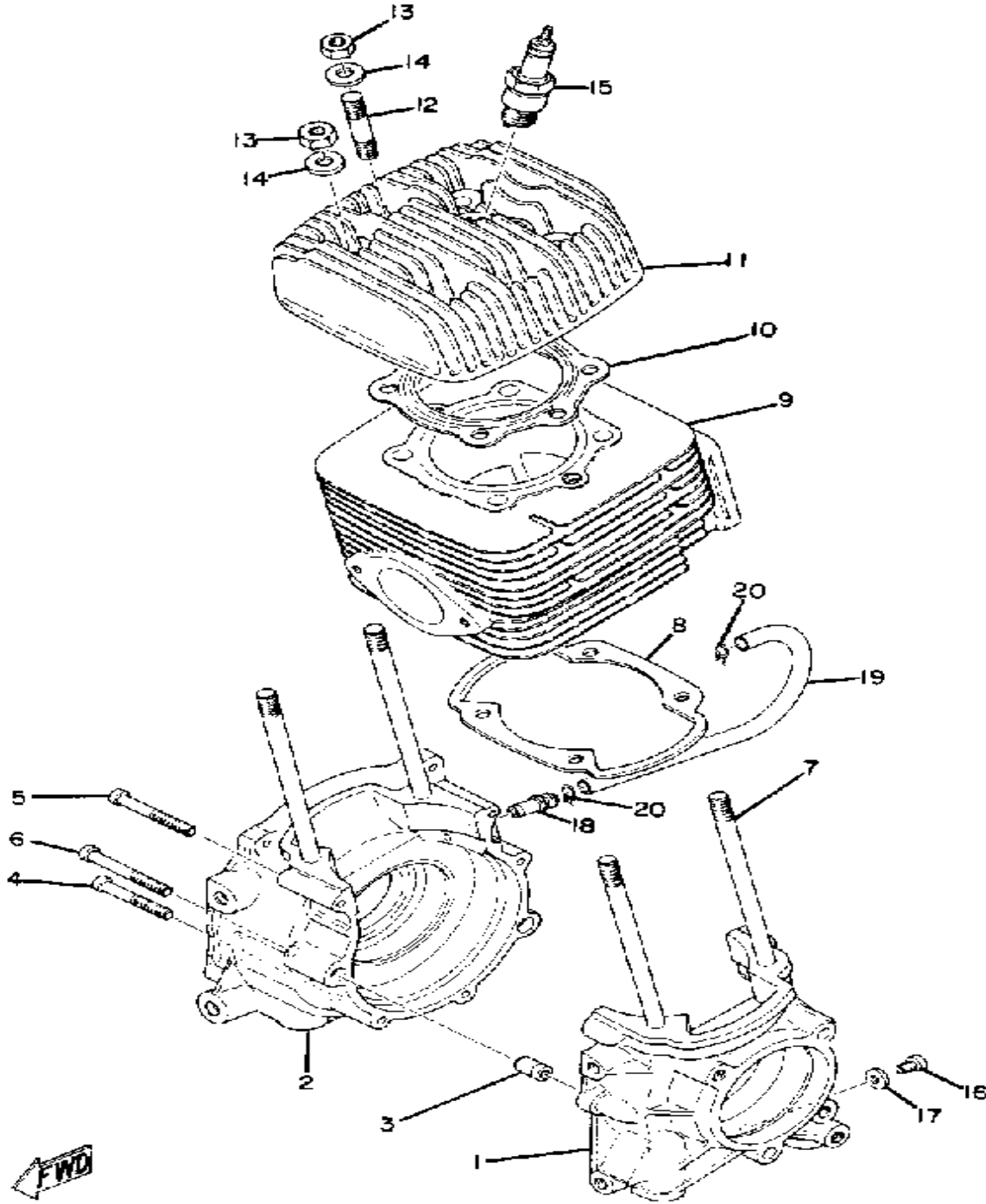
**PARTS CATALOGUE**

**SNOWMOBILE**

Property of [www.SmallEngineDiscount.com](http://www.SmallEngineDiscount.com) - Not for Resale

A1

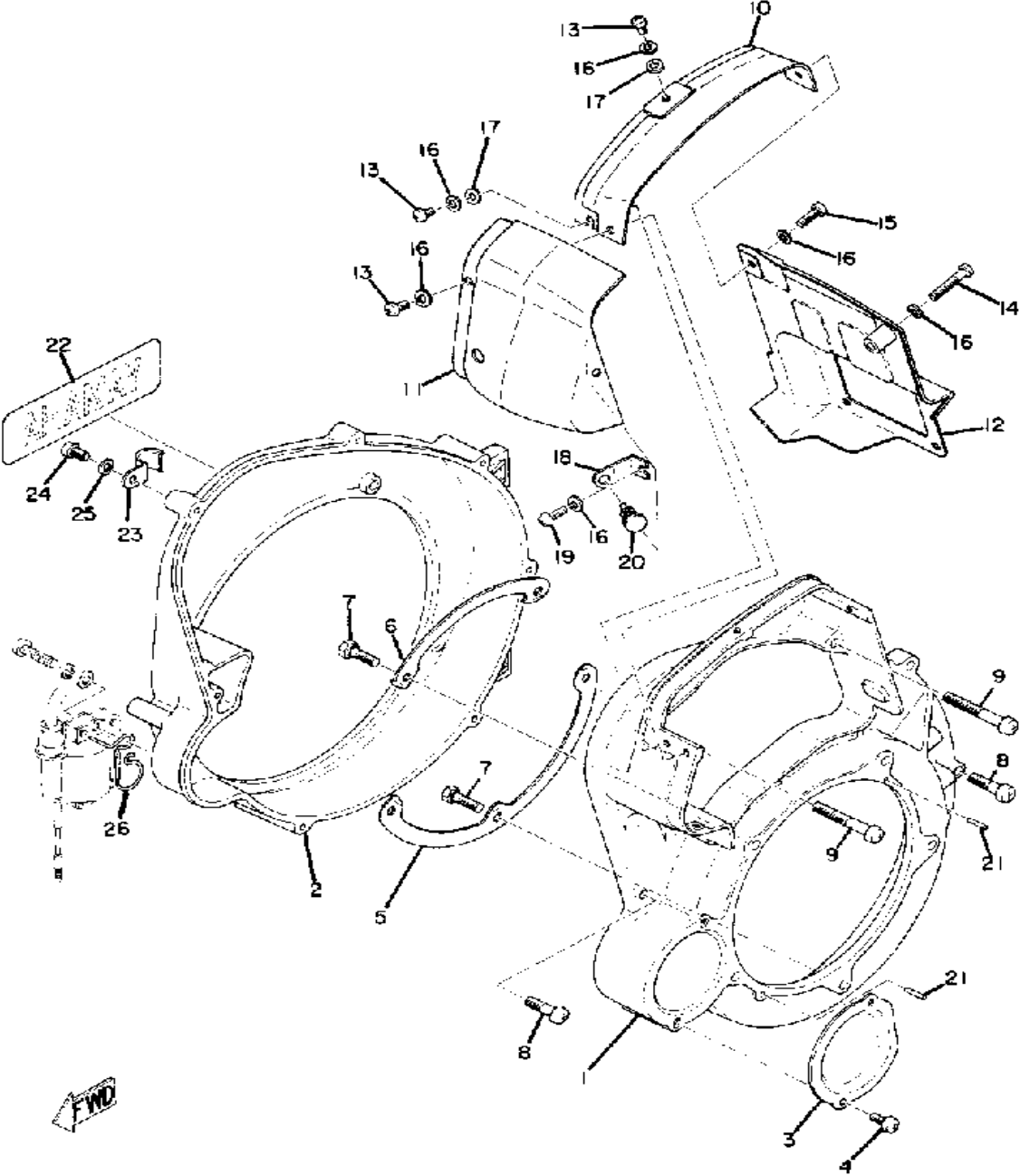
# CRANKCASE - CYLINDER



Ref. No.	Part Number	Description	Qty	Remarks
3	99530-10014-00	PIN, DOWEL .....	2	
4	98580-06545-00	SCREW PAN HEAD (92503-06045) .....	3	
5	98580-06550-00	SCREW PAN HEAD (92503-06050) .....	2	
6	98580-06055-00	SCREW, pan head (92501-06065-00) .....	2	
7	(90116-08083-00)	BOLT, STUD .....	4	
8	812-11351-00-00	GASKET, CYLINDER .....	1	
9	(864-11311-00-00)	CYLINDER 1 .....	1	
10	812-11181-00-00	GASKET, CYLINDER HEAD 1 .	1	
11	(845-11111-00-00)	HEAD, CYLINDER 1 .....	1	
12	90116-08057-00	BOLT, STUD .....	2	
13	812-11171-00-00	NUT, HOLDING (812-11171-00)	6	
14	90201-08100-00	WASHER, PLATE .....	6	
15	(CMP-N2G00-00-00)	CHAMPION N2G 10PK .....	1	CHAMPION
16	98580-06010-00	SCREW, PAN HEAD (92503-06010) .....	1	
17	90430-06016-00	GASKET .....	1	
18	J38-11116-00-00	JOINT, BREATHER .....	1	
19	90445-10132-00	HOSE (6-120) (813-24316-00) ..	1	
20	90467-09006-00	CLIP .....	2	
-1	839-15100-00-00	CRANKCASE ASSEMBLY ....	1	

Property of [www.SmallEngineDiscount.com](http://www.SmallEngineDiscount.com) - Not for Resale

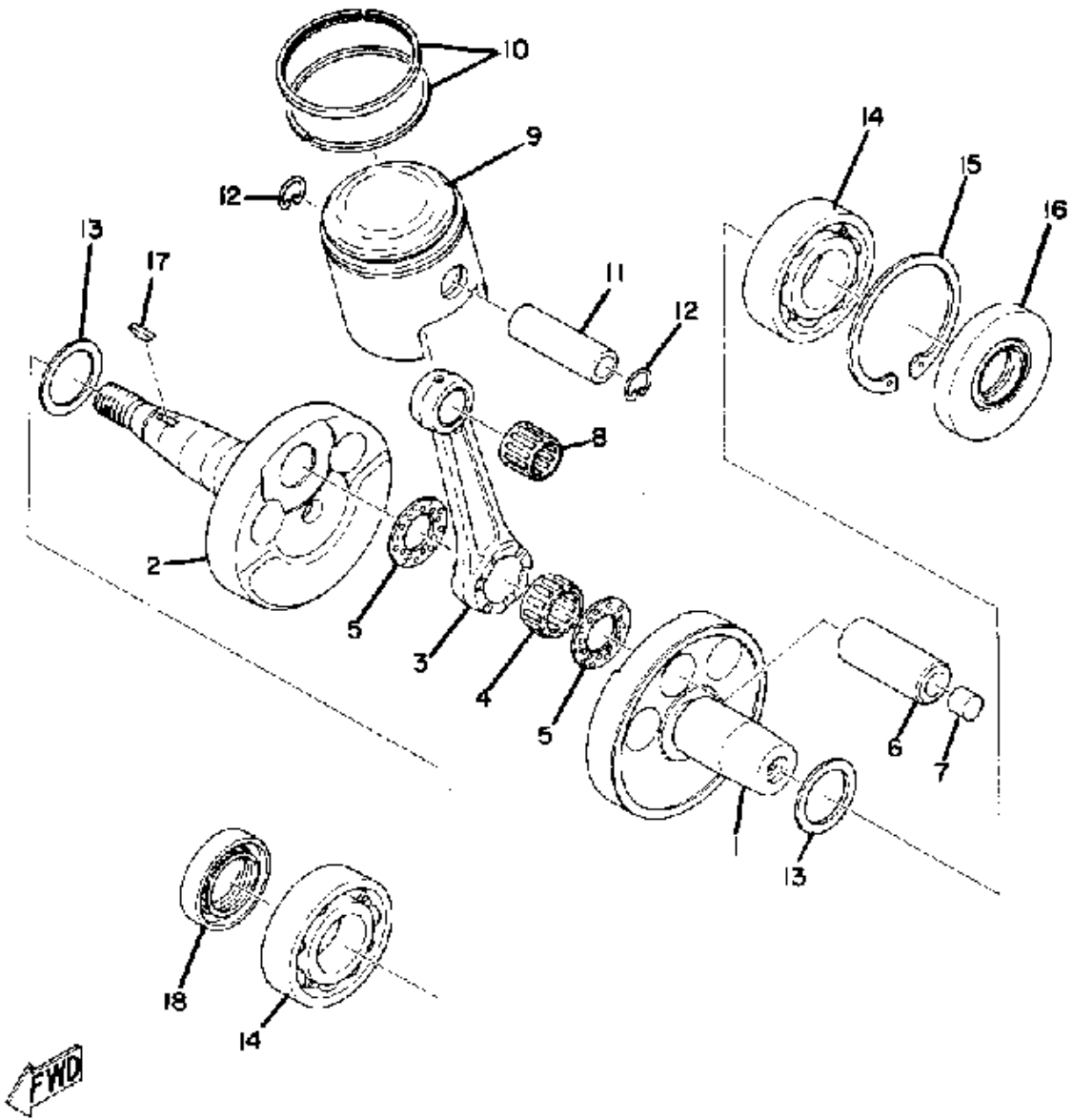
# FAN CASE - AIR SHROUD



Ref. No.	Part Number	Description	Qty	Remarks
1	839-12621-00-00	CASE, FAN .....	1	
2	(864-12622-00-00)	CASE, FAN 2 .....	1	
3	(812-12633-00-00)	PLATE .....	1	
4	98580-05010-00	SCREW, PAN HEAD .....	2	
5	(812-12624-00-00)	WASHER, LOCK 1 .....	1	
6	(812-12625-00-00)	WASHER, LOCK 2 .....	1	
7	(90105-06001-00)	BOLT, WASHER BASED .....	5	
8	98506-06025-00	SCREW, PAN HEAD .....	5	
9	98506-06050-00	SCREW, PAN HEAD .....	2	
10	(839-12651-00-00)	AIR SHROUD, CYLINDER 1 ...	1	
11	(822-12652-00-00)	AIR SHROUD, CYLINDER 2 ...	1	
12	(864-12653-00-00)	AIR SHROUD, CYLINDER 3 ...	1	
13	98906-05012-00	SCREW, BIND .....	4	
14	(98906-05030-00)	SCREW, BIND .....	1	
15	98906-05012-00	SCREW, BIND .....	2	
16	92906-05100-00	WASHER, SPRING .....	8	
17	92906-05200-00	WASHER, PLAIN .....	3	
18	(822-12655-00-00)	STAY, CLAMP 1 .....	1	
19	98906-05010-00	SCREW, BIND .....	1	
20	(812-12658-00-00)	DAMPER, AIR SHRD 1 .....	1	
21	93604-14012-00	PIN, DOWEL .....	2	
22	838-12622-00-00	CASE, FAN 2 .....	1	
23	(822-82361-00-00)	CLAMP, CORD .....	1	
24	98506-06010-00	SCREW, PAN HEAD .....	1	
25	92906-06100-00	WASHER, SPRING .....	1	
26	(822-24369-01-00)	CLAMP, OIL PIPE .....	1	

Property of [www.SmallEngineDiscount.com](http://www.SmallEngineDiscount.com) - Not for Resale

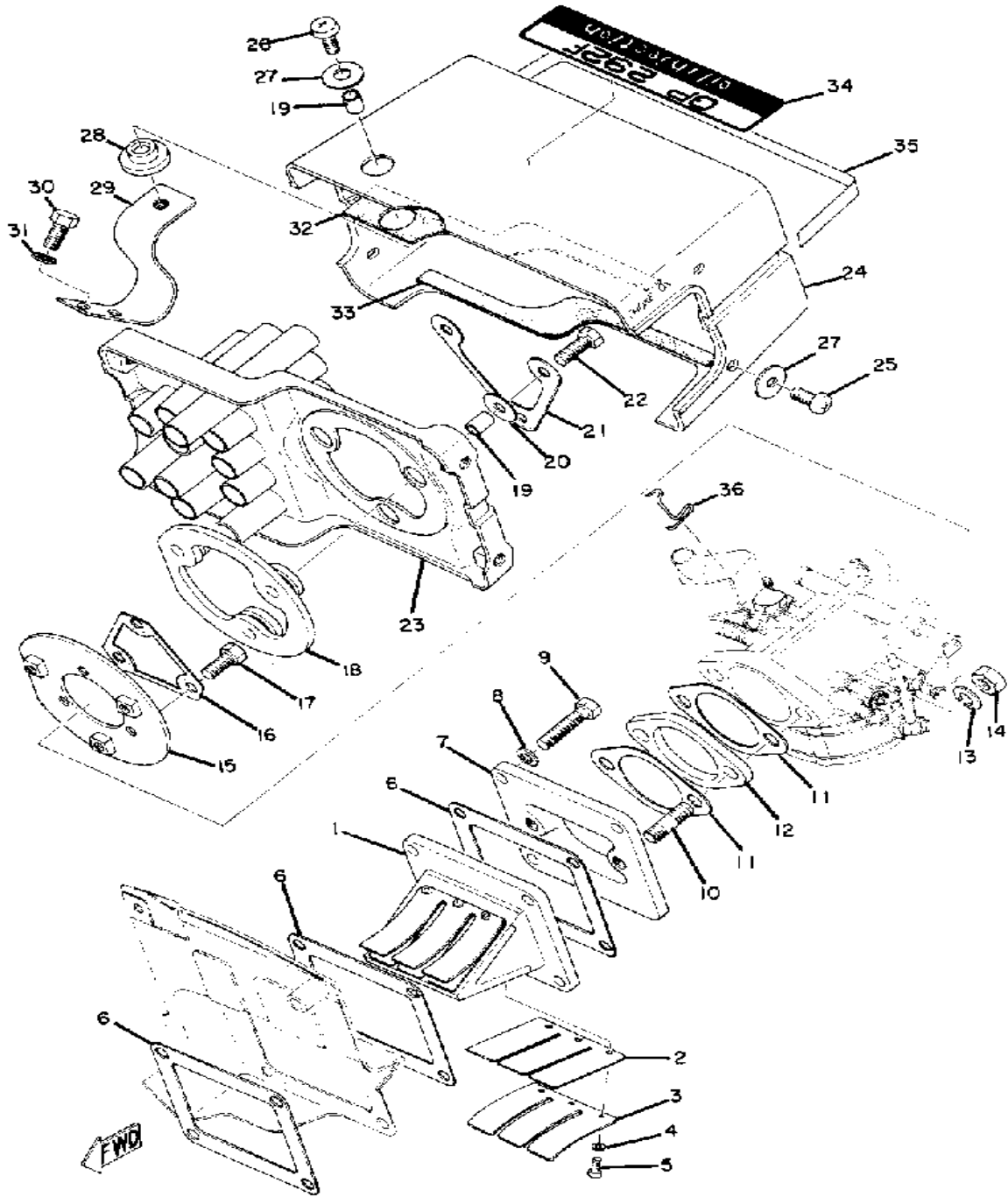
# CRANK - PISTON



Ref. No.	Part Number	Description	Qty	Remarks
1	(860-11412-02-00)	CRANK 1 .....	1	
2	(860-11422-00-00)	CRANK 2 .....	1	
3	839-11651-00-00	. ROD, CONNECTING .....	1	
4	93310-42497-00	. BEARING, CYLINDER.# 0 ...	1	
5	90209-24073-00	. WASHER .....	2	
6	(822-11681-00-00)	PIN, CRANK 1 .....	1	
7	(822-11682-00-00)	BUSH, CRANK PIN .....	2	
8	93310-218A6-00	BEARING .....	1	
9	(864-11635-00-00)	PISTON 1 O/S 0.5 .....	1	ALTERNATE PART
	(864-11636-00-00)	PISTON 2 O/S 0.0 .....	1	ALTERNATE PART
	864-11631-00-96	PISTON STD .....	1	
10	(864-11610-10-00)	PISTON RINGSET 1ST .....	1	ALTERNATE PART
	864-11610-00-00	PISTON RINGSET STD .....	1	
	864-11610-20-00	PISTON RINGSET 2ND .....	1	ALTERNATE PART
11	818-11633-00-00	PIN, PISTON .....	1	
12	93450-20026-00	CIRCLIP .....	2	
13	(812-11561-00-02)	SHIM, CRANK 1 .....	1	U.R.
	(812-11561-00-03)	SHIM, CRANK 1 .....	1	U.R.
14	93306-30605-00	BEARING .....	2	
15	(93420-72023-00)	CIRCLIP, R-TYPE .....	1	
16	93103-32060-00	OIL SEAL, SW-TYPE .....	1	
17	90280-16053-00	KEY, WOODRUFF .....	1	
18	93103-32061-00	OIL SEAL, SW-TYPE .....	1	
-1	(860-11400-00-00)	CRANKSHAFT ASSEMBLY ...	1	

Property of [www.SmallEngineDiscount.com](http://www.SmallEngineDiscount.com) - Not for Resale

# INTAKE

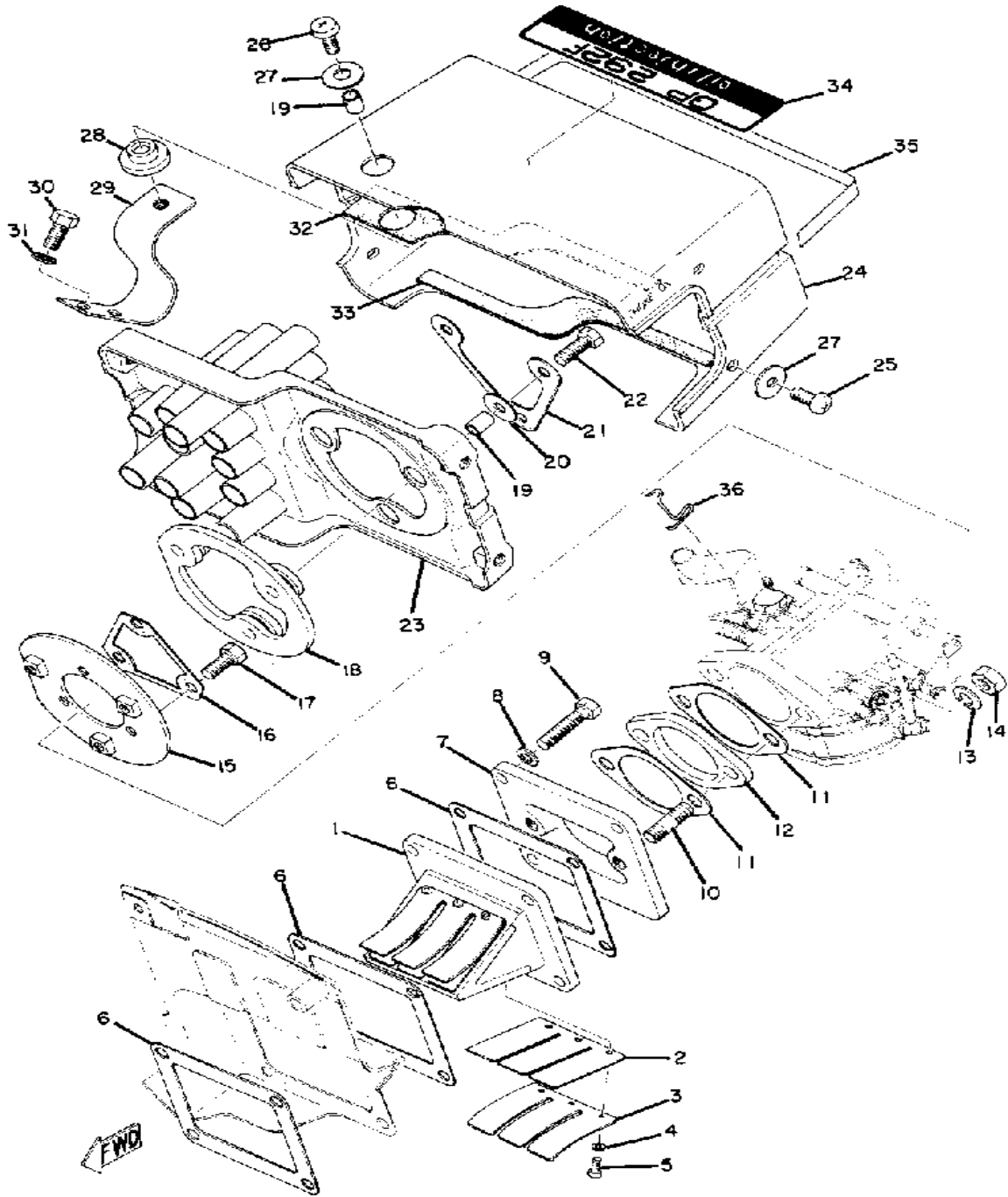


Ref. No.	Part Number	Description	Qty	Remarks
1	(363-13610-00-00)	REED VALVE ASSEMBLY	1	
2	363-13613-00-00	. REED, VALVE	2	
3	363-13616-00-00	. STOPPER, REED VALVE	2	
4	92990-03100-00	. WASHER, SPRING (92901-03100)	6	
5	98580-03008-00	. SCREW, PAN HEAD	6	
6	363-13621-00-00	GASKET, VALVE SEAT	3	
7	(864-13565-01-00)	JOINT, CARBURETOR	1	
8	92995-06100-00	WASHER, SPRING	4	
9	97021-06030-00	BOLT	4	
10	(90116-08162-00)	BOLT, STUD	2	
11	881-13556-00-00	GASKET, MANIFOLD	2	
12	(864-13555-00-00)	MANIFOLD, INTAKE	1	
13	92990-08100-00	WASHER	2	
14	95303-08700-00	NUT	2	
15	864-14477-01-00	PLATE	1	
16	8F3-14598-00-00	WASHER	1	
17	97313-06016-00	BOLT, HEXAGON	3	
18	(864-14435-00-00)	GROMMET	1	
19	(90387-06244-00)	COLLAR	4	
20	90201-05029-00	WASHER, PLATE	2	
21	(864-14599-00-00)	WASHER, LOCK	1	
22	97011-06020-00	BOLT	1	
23	(864-14431-00-00)	SILENCER, INTAKE 1	1	
24	(867-14441-00-00)	SILENCER, INTAKE 2	1	
25	98906-06016-00	SCREW, BIND	4	
26	(91906-06018-00)	SCREW, BIND	1	
27	90201-06059-00	WASHER, PLATE	5	
28	90480-15060-00	GROMMET	1	

CONTINUED ON NEXT FRAME ►

Property of [www.SmallEngineDiscount.com](http://www.SmallEngineDiscount.com) - Not for Resale

# INTAKE

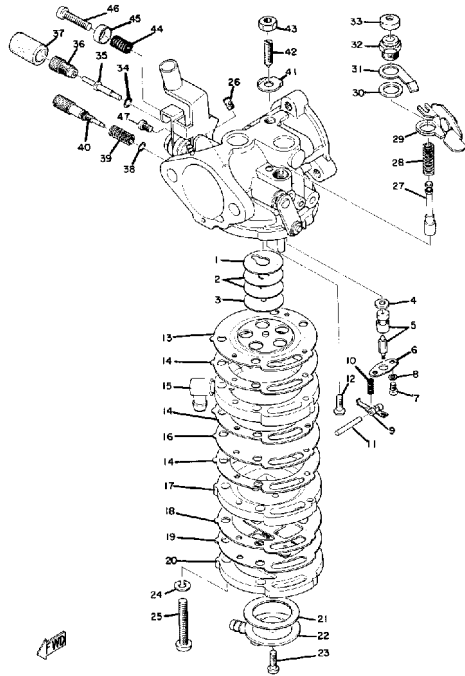


Ref. No.	Part Number	Description	Qty	Remarks
29	(864-14493-00-00)	STAY 1 .....	1	
30	97016-06016-00	BOLT .....	2	
31	92906-06100-00	WASHER, SPRING .....	2	
32	(864-14457-00-00)	SEAL .....	1	
33	(864-14467-00-00)	SEAL .....	1	
34	(864-77451-00-00)	EMBLEM 1 .....	1	
35	853-77452-00-00	EMBLEM 2 .....	1	
36	822-41222-00-00	CLAMP, THROTTLE .....	1	

Property of [www.SmallEngineDiscount.com](http://www.SmallEngineDiscount.com) - Not for Resale



# CARBURETOR



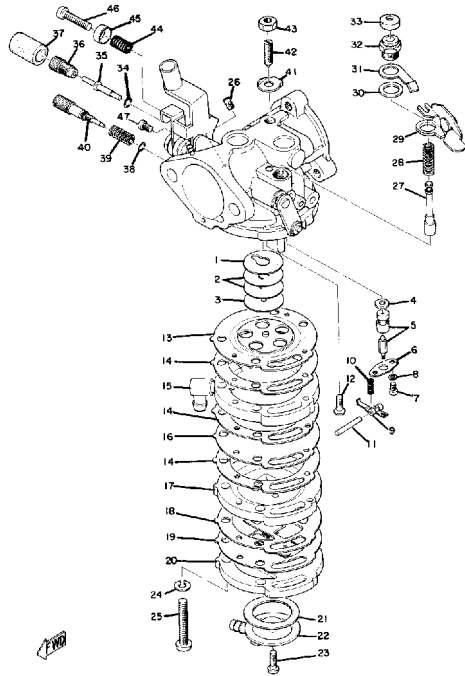
CARBURETOR (MFG) (TYPE) (I.D. NUMBER)	Mikuni	BN 28-34SH	86400
QUANTITY (VENTURI SIZE) (MEASURED) (EFFECTIVE)	1	34mm	32mm

Ref. No.	Part Number	Description	Qty	Remarks
1	(864-24468-00-00)	GASKET .....	1	
2	864-14272-00-00	VALVE, CHECK SEAT .....	2	
3	(864-14946-00-00)	PLATE, NEEDLE FTNG .....	1	
4	(849-14195-00-00)	WASHER, NEEDLE VLV .....	1	
5	864-14190-15-00	NEEDLE VALVE ASSEMBLY ..	1	
6	849-14143-24-00	JET, MAIN #1 0 .....	1	
7	98580-03008-00	SCREW, PAN HEAD .....	2	
8	92990-03100-00	WASHER, SPRING (92901-03100) .....	2	
9	(864-14387-00-00)	ARM, DIAPHRAGM .....	1	
10	(812-24423-00-00)	SPRING, DIAPHRAGM .....	1	
11	439-14186-00-00	PIN, FLOAT .....	1	
12	98702-03008-00	SCREW, FLAT HEAD .....	1	
13	849-24471-00-00	DIAPHRGM .....	1	
14	849-24434-00-00	GASKET, BODY .....	3	
15	(849-24412-00-00)	BODY 1 .....	1	
16	849-24411-00-00	DIAPHRAGM .....	1	
17	(849-24413-00-00)	BODY 2 .....	1	
18	849-24435-00-00	GASKET, BODY 2 .....	1	
19	849-24421-00-00	VALVE, CHECK .....	1	
20	(849-24414-00-00)	BODY 3 .....	1	
21	812-24468-00-00	GASKET .....	1	
22	812-24452-00-00	COVER .....	1	
23	812-24453-00-00	SCREW .....	1	
24	98501-05035-00	SCREW, PAN HEAD .....	4	
25	92990-05100-00	WASHER, SPRING .....	4	
26	620-14142-72-00	JET, PILOT (#72.5) .....	1	
27	849-14171-00-00	PLUNGER, STARTER .....	1	
28	156-14135-00-00	SPRING, PLUNGER .....	1	

CONTINUED ON NEXT FRAME ►

Property of [www.SmallEngineDiscount.com](http://www.SmallEngineDiscount.com) - Not for Resale

# CARBURETOR



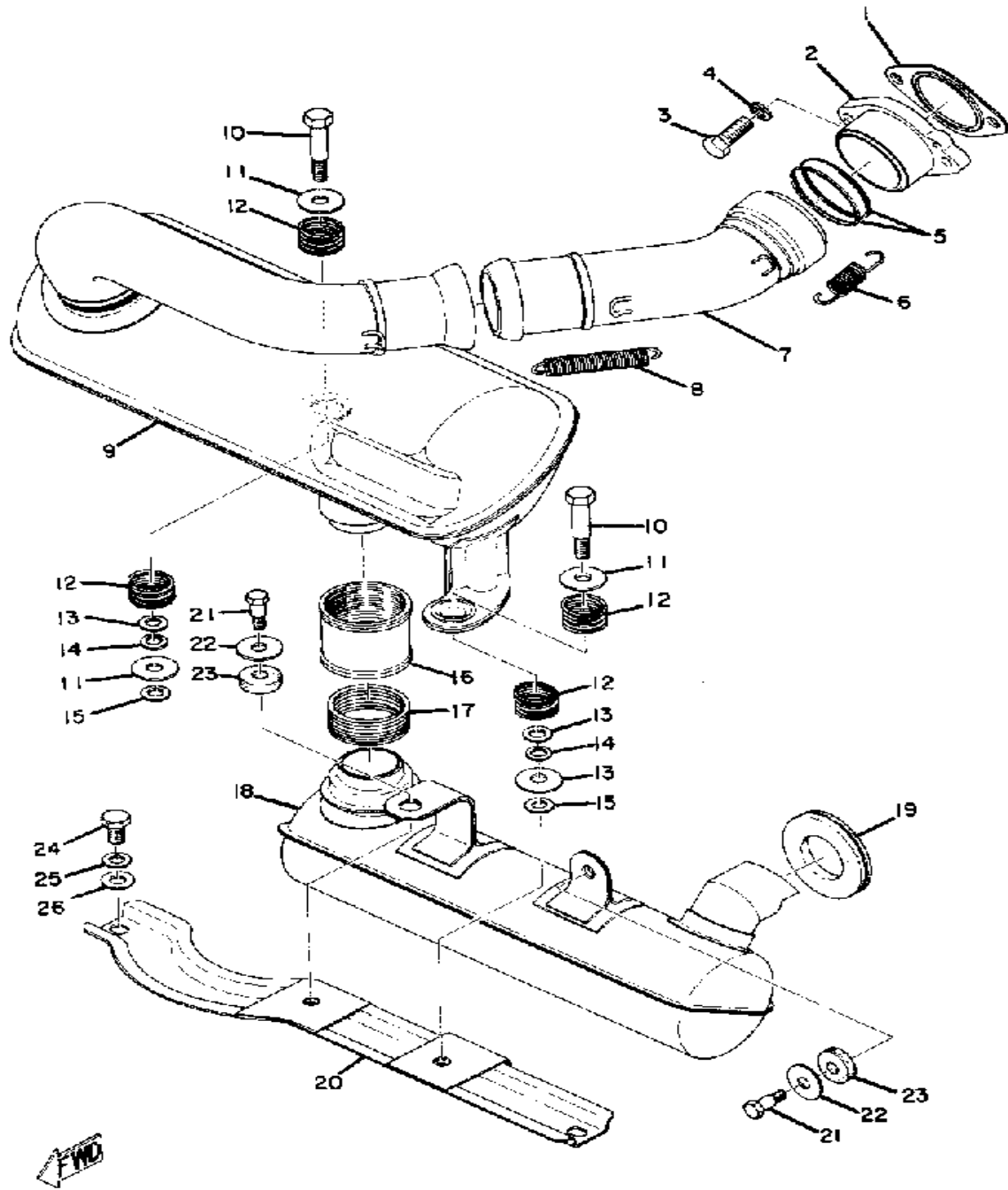
CARBURETOR (MFG) (TYPE) (I.D. NUMBER)	Mikuni	BN 28-34SH	86400
QUANTITY (VENTURI SIZE) (MEASURED) (EFFECTIVE)	1	34mm	32mm

Ref. No.	Part Number	Description	Qty	Remarks
29	(849-14175-00-00)	LEVER, STARTER 1	1	
30	(132-14179-00-00)	WASHER, STARTER LVR	1	
31	(849-14178-00-00)	PLATE, STARTER LVR	1	
32	802-14174-00-00	CAP, PLUNGER	1	
33	(849-14173-00-00)	COVER, PLUNGER CAP	1	
34	93210-03119-00	O-RING	1	
35	(849-14143-25-00)	JET, MAIN #1 5	1	U.R.
	(849-14143-26-00)	JET, MAIN #1 0	1	U.R.
	(849-14143-27-00)	JET, MAIN #1 5	1	U.R.
	(849-14143-28-00)	JET, MAIN #1 0	1	U.R.STD
	(849-14143-29-00)	JET, MAIN #1 5	1	U.R.
	(849-14143-30-00)	JET, MAIN #1 0	1	U.R.
36	(849-14245-00-00)	SCREW, GUIDE	1	
37	(849-14169-00-00)	CAP	1	
38	(849-14147-00-00)	O-RING	1	
39	(849-14212-00-00)	SPRING, PILOT ADJUSTING	1	
40	(849-14123-00-00)	SCREW, AIR ADJUSTING	1	
41	(849-14596-00-00)	WASHER	1	
42	(849-24453-00-00)	SCREW	1	
43	(849-14595-00-00)	NUT	1	
44	(849-14134-00-00)	SPRING, AIR ADJUSTING	1	
45	(864-14118-00-00)	CAP		1
46	(864-14922-00-00)	SCREW, THROTTLE		1
47	(864-24453-00-00)	SCREW		1
-1	(864-14101-00-00)	CARBURETOR ASSEMBLY 1	1	

Property of [www.SmallEngineDiscount.com](http://www.SmallEngineDiscount.com) - Not for Resale



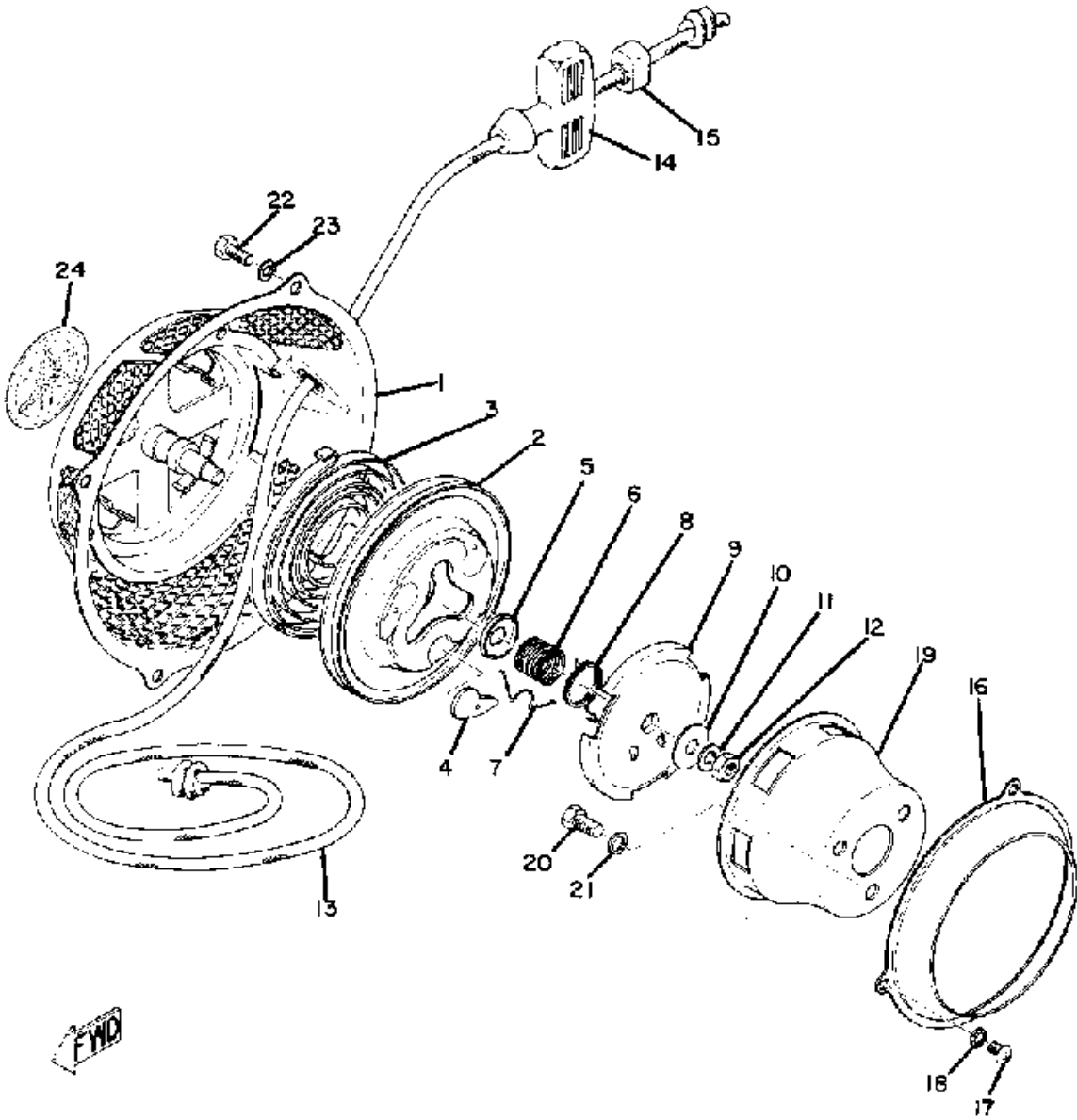
# EXHAUST



Ref. No.	Part Number	Description	Qty	Remarks
1	834-14613-00-00	GASKET, EXST PIPE .....	1	N/A
2	(853-14612-00-00)	NUT, RING .....	1	
3	806-14651-00-00	BOLT .....	2	
4	92990-08100-00	WASHER .....	2	
5	(812-14623-00-00)	GASKET, EXST PIPE .....	2	
6	90506-20074-00	SPRING, TENSION .....		2
7	860-14610-02-00	EXHAUST PIPE ASSEMBLY L .	1	
8	821-14773-00-00	SPRING, MUFFLER .....	1	
9	864-14710-00-00	MUFFLER ASSEMBLY L .....	1	
10	90109-08293-00	BOLT .....	2	
11	90201-10437-00	WASHER, PLATE .....	4	
12	853-14773-02-00	SPRING, MUFFLER .....	4	
13	90560-08066-00	SPACER .....	2	
14	92990-08100-00	WASHER .....	2	
15	(90201-07080-00)	WASHER, PLATE .....	2	
16	841-14714-00-00	GASKET, MUFFLER .....	1	
17	(90504-30004-00)	SPRING, COMPRESSION .....	1	
18	(860-14720-01-00)	MUFFLER ASSEMBLY R .....	1	
19	841-14718-00-00	PROTECTOR, MUFF 1 .....	1	
20	(860-14771-01-00)	STAY, MUFFLER 1 .....	1	
21	90109-06018-00	BOLT .....	2	
22	90201-085E6-00	WASHER PLATE .....	2	
23	90202-08085-00	WASHER, PLATE .....	2	
24	97313-08012-00	BOLT .....	2	
25	92990-08100-00	WASHER .....	2	
26	92990-08200-00	WASHER, PLAIN .....	2	
1-1	214-14613-00-00	GASKET, EXST PIPE .....	1	

Property of [www.SmallEngineDiscount.com](http://www.SmallEngineDiscount.com) - Not for Resale

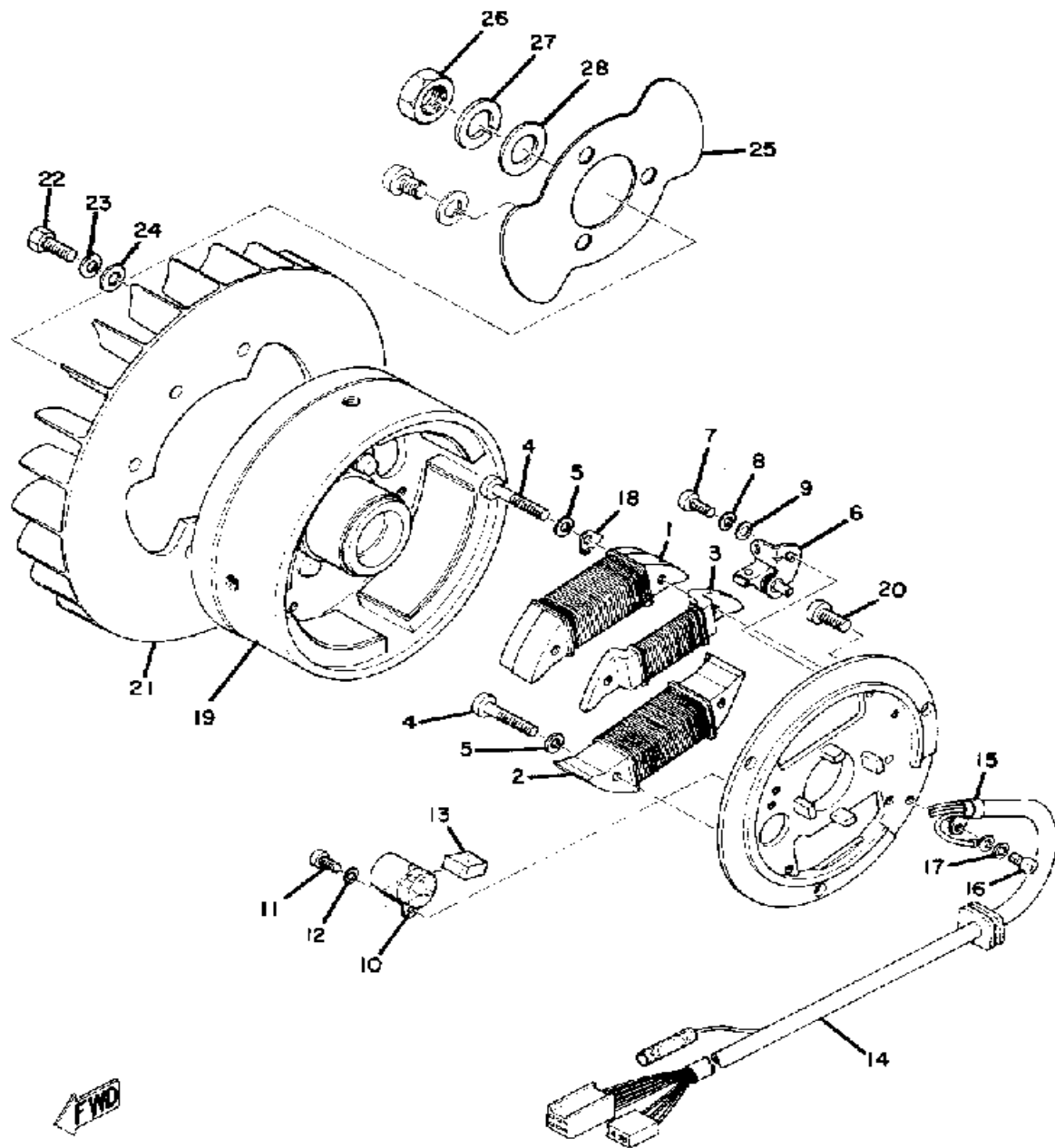
# STARTER



Ref. No.	Part Number	Description	Qty	Remarks
1	(860-15711-00-00)	CASE, STARTER .....	1	
2	812-15714-00-00	. DRUM, SHEAVE .....	1	
3	802-15713-00-00	. SPRING, STARTER .....	1	
4	812-15741-00-00	. PAWL, DRIVE .....	3	
5	626-15719-00-00	. WASHER, THRUST (802-15719-00) .....	1	
6	626-15715-01-00	. SPRING, DRIVE PLATE (807-15715-00) .....	1	
7	812-15784-00-00	. SPRING, RETURN .....	3	
8	811-15734-00-00	. SPRING, RETURN .....	1	
9	812-15716-00-00	. PLATE, DRIVE .....	1	
10	807-15726-01-00	. WASHER, FLAT .....	1	
11	92990-08100-00	. WASHER .....	1	
12	95303-08700-00	. NUT .....	1	
13	812-15751-00-00	. ROPE, STARTER .....	1	
14	807-15755-00-00	. HANDLE, STARTER .....	1	
15	619-15756-00-00	. CONNECTOR 1 .....	1	
16	(812-15782-00-00)	COVER, SHEAVE .....	1	
17	98580-05006-00	. SCREW, PAN HEAD .....	3	
18	92990-05100-00	. WASHER, SPRING .....	3	
19	(812-15723-00-00)	PULLEY, STARTER .....	1	
20	97313-08016-00	BOLT, HEXAGON .....	3	
21	92990-08100-00	WASHER .....	3	
22	97016-06016-00	BOLT .....	4	
23	92906-06100-00	WASHER, SPRING .....	4	
24	(838-15791-00-00)	EMBLEM .....	1	
-1	(860-15710-00-00)	STARTER ASSEMBLY .....	1	

Property of [www.SmallEngineDiscount.com](http://www.SmallEngineDiscount.com) - Not for Resale

# FLYWHEEL MAGNETO

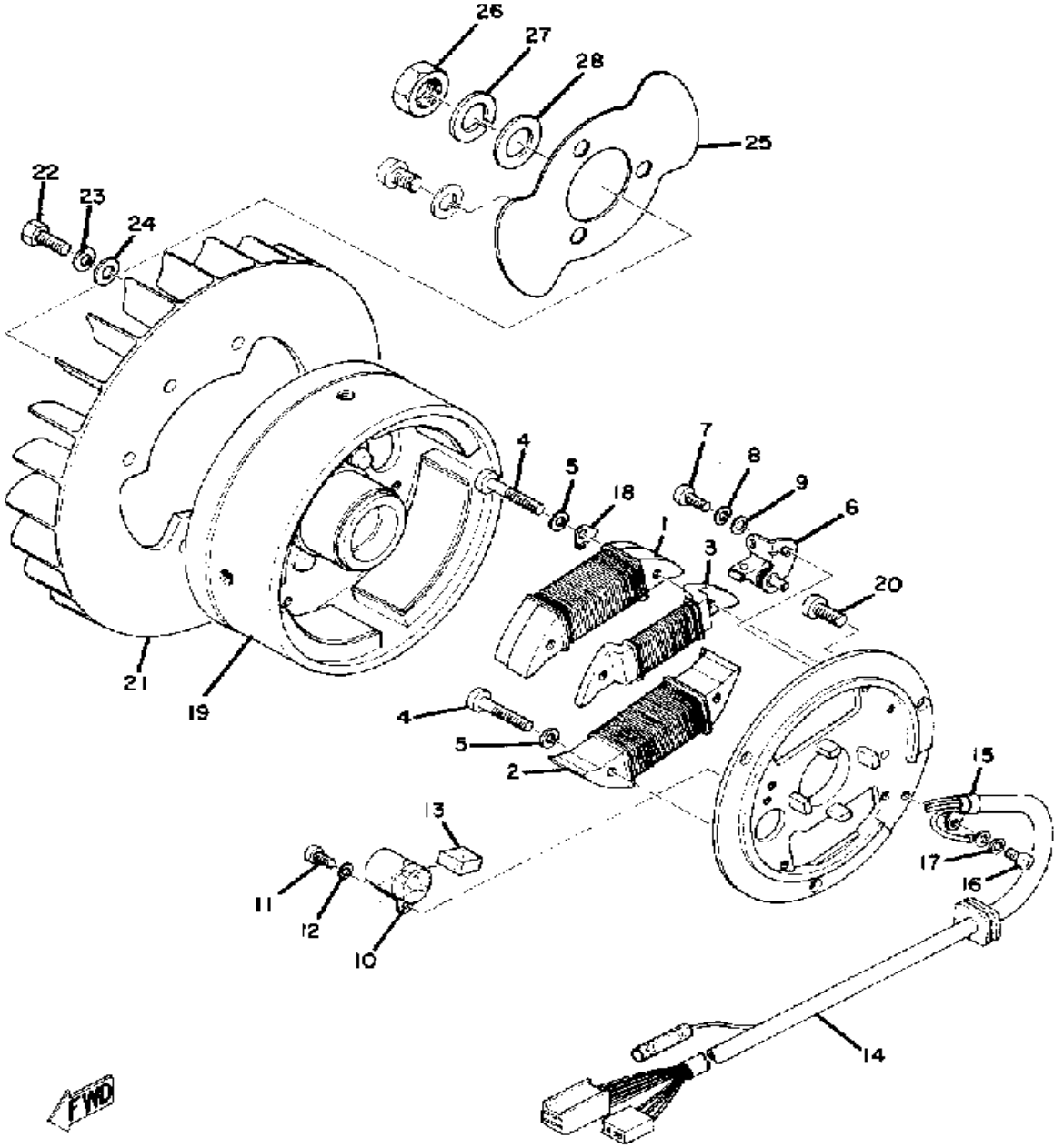


Ref. No.	Part Number	Description	Qty	Remarks
1	839-81312-20-00	. COIL, SOURCE .....	1	
2	(839-81313-20-00)	COIL, LIGHTING 1 .....	1	
3	(839-81314-20-00)	COIL, LIGHTING 2 .....	1	
4	802-81345-20-00	. SCREW, PAN HEAD .....	4	
5	92990-05100-00	. WASHER, SPRING .....	4	
6	806-81321-20-00	. CONTACT BRKR ASSEMBLY	1	
7	110-81346-21-00	. SCREW, PAN HEAD .....	1	
8	92901-04100-00	. WASHER, SPRING .....	1	
9	92990-04200-00	. WASHER, PLAIN .....	1	
10	802-81325-90-00	. CONDENSER 1 .....	1	
11	110-81346-21-00	. SCREW, PAN HEAD .....	1	
12	92901-04100-00	. WASHER, SPRING .....	1	
13	116-81331-20-00	. LUBRICATOR .....	1	
14	(839-81315-21-00)	LEAD WIRE ASSEMBLY .....	1	
15	104-81328-20-00	. CLAMP .....	1	
16	98580-04008-00	. SCREW, PAN HEAD .....	1	
17	92901-04100-00	. WASHER, SPRING .....	1	
18	(812-81332-20-00)	PLATE, TIMING .....	1	
19	(860-81350-20-00)	ROTOR ASSEMBLY .....	1	
20	98503-06014-00	SCREW, PAN HEAD (92502-06016) .....	3	
21	(812-12611-00-00)	FAN .....	1	
22	90101-06127-00	BOLT .....	6	
23	92995-06100-00	WASHER, SPRING .....	6	
24	90201-06M08-00	WASHER, PLATE .....	6	
25	(812-81362-00-00)	COVER, HOLE .....	1	
26	90170-16182-00	NUT .....	1	
27	92901-16100-00	WASHER, SPRING .....	1	
28	90201-16247-00	WASHER, PLATE (807-11557-00) .....	1	

CONTINUED ON NEXT FRAME ➤

Property of [www.SmallEngineDiscount.com](http://www.SmallEngineDiscount.com) - Not for Resale

# FLYWHEEL MAGNETO

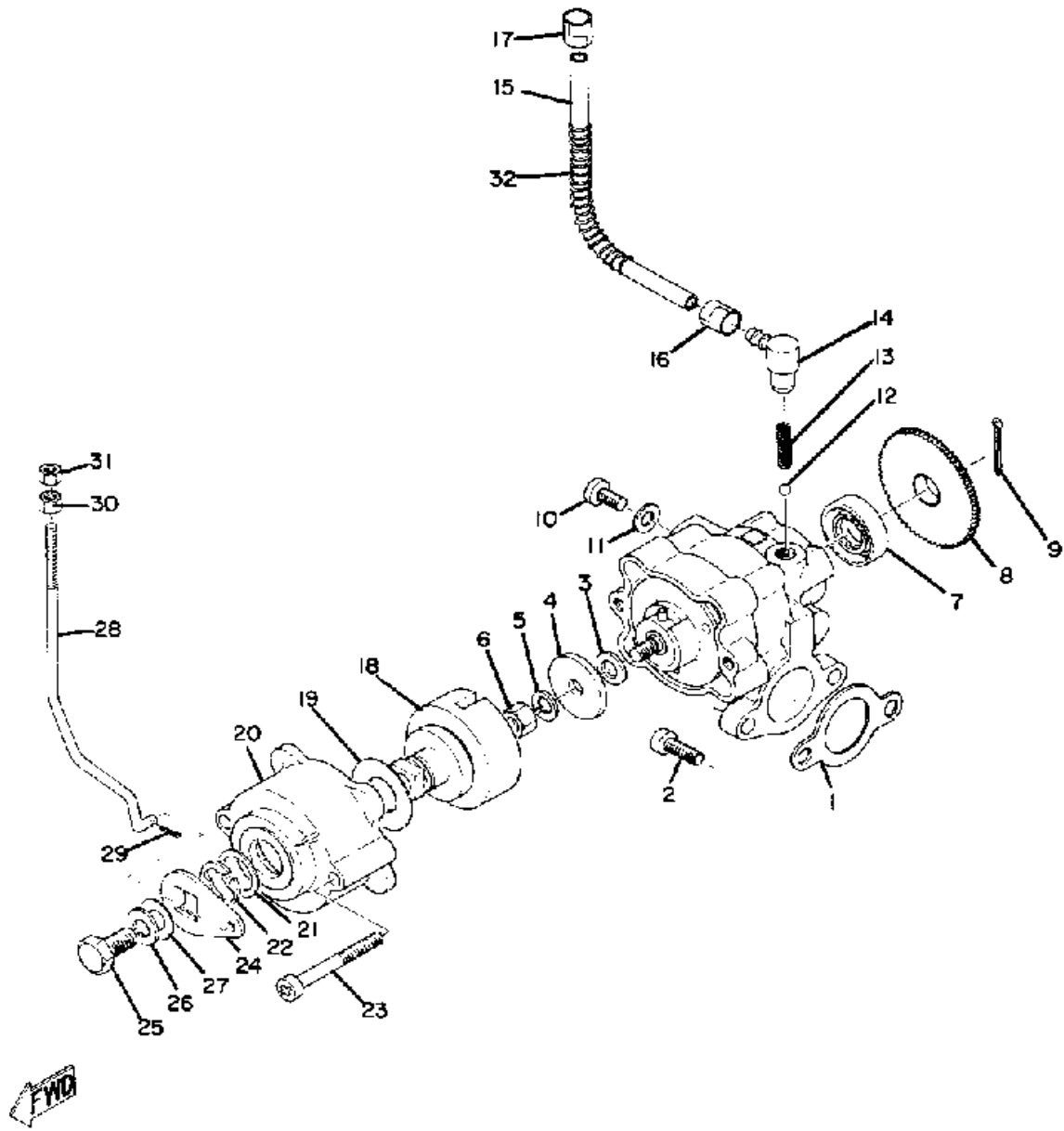


Ref. No.	Part Number	Description	Qty	Remarks
-1	(860-81300-20-00)	FLYWHL MAGNETO ASSEMBLY .....	1	

Property of [www.SmallEngineDiscount.com](http://www.SmallEngineDiscount.com) - Not for Resale

A12

# OIL PUMP

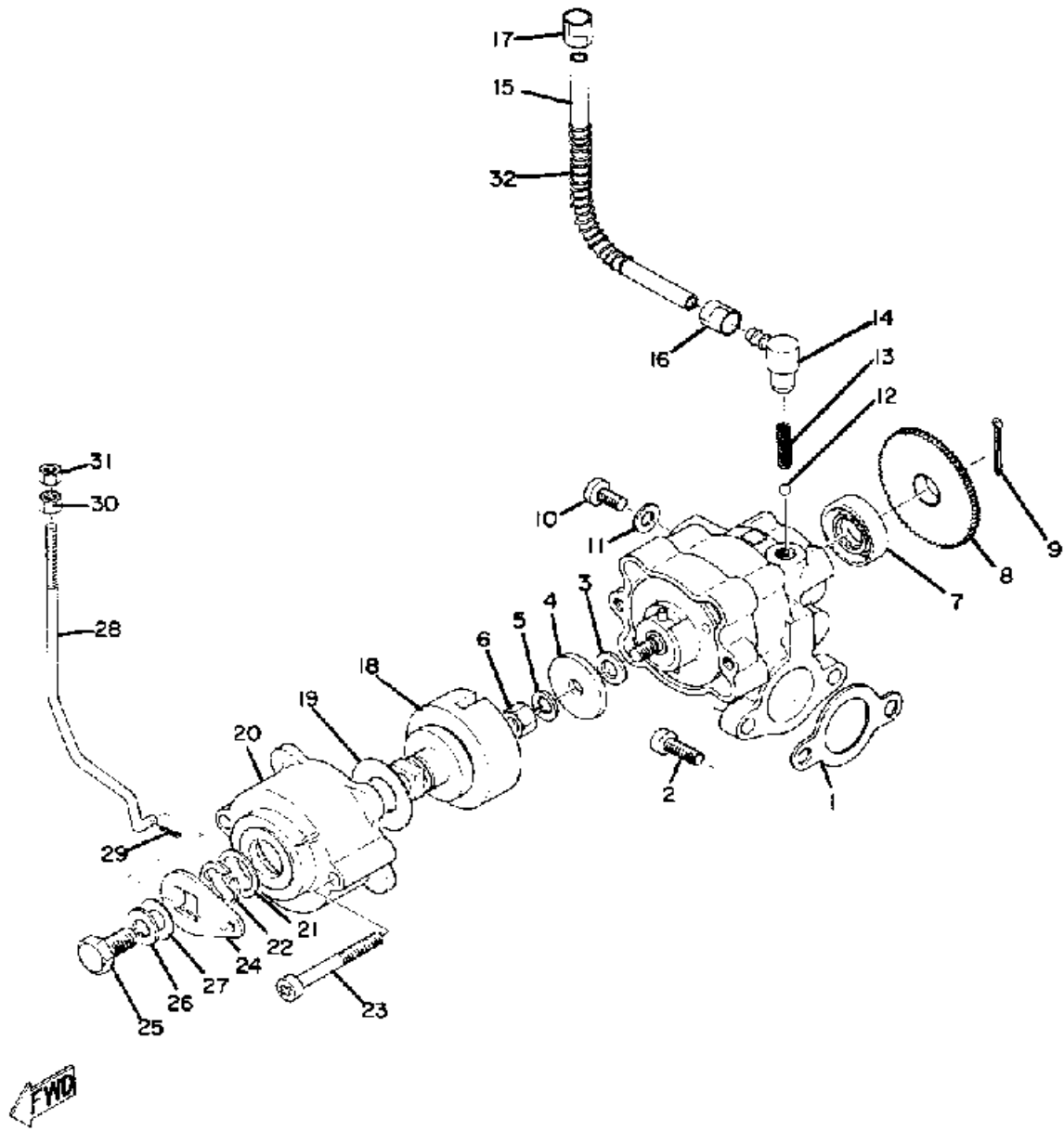


Ref. No.	Part Number	Description	Qty	Remarks
1	3MT-13116-00-00	GASKET, PUMP CASE (8Y0-13116-00)	1	
2	98580-05016-00	SCREW, PAN HEAD	2	
3	(137-13137-00-30)	SHIM, PLUNGER	1	U.R.
	137-13137-00-10	. SHIM (1.0T)	1	U.R.
4	137-13138-01-00	. PLATE, ADJUSTING	1	
5	92990-05100-00	. WASHER, SPRING	1	
6	95380-05600-00	. NUT	1	
7	93101-10090-00	OIL SEAL	1	
8	(137-13128-00-00)	PLATE, STARTER	1	
9	91401-12018-00	. PIN, COTTER	1	
10	(90109-04178-00)	BOLT	1	
11	90430-04004-00	. GASKET	1	
12	93505-32002-00	. BALL	1	
13	90501-02018-00	. SPRING, COMPRESSION	1	
14	353-13552-01-00	. NOZZLE	1	
15	90445-05301-00	. HOSE (214-13161-01)	1	
16	90468-02033-00	. CLIP	1	
17	90468-02033-00	CLIP	1	
18	860-13153-00-00	SHAFT, PUMP CONTROL	1	
19	860-13119-00-00	SEAL, GREASE	1	
20	(812-13146-00-00)	COVER, AJST PULLEY	1	
21	(812-13147-00-00)	SHIM	1	
22	99001-09600-00	CIRCLIP	1	
23	98511-04030-00	SCREW, PAN HEAD	2	
24	(812-13156-00-00)	LEVER, PUMP CONTROL	1	
25	97013-06012-00	BOLT	1	
26	92995-06100-00	WASHER, SPRING	1	
27	92990-06200-00	WASHER	1	

CONTINUED ON NEXT FRAME ►

Property of [www.SmallEngineDiscount.com](http://www.SmallEngineDiscount.com) - Not for Resale

# OIL PUMP

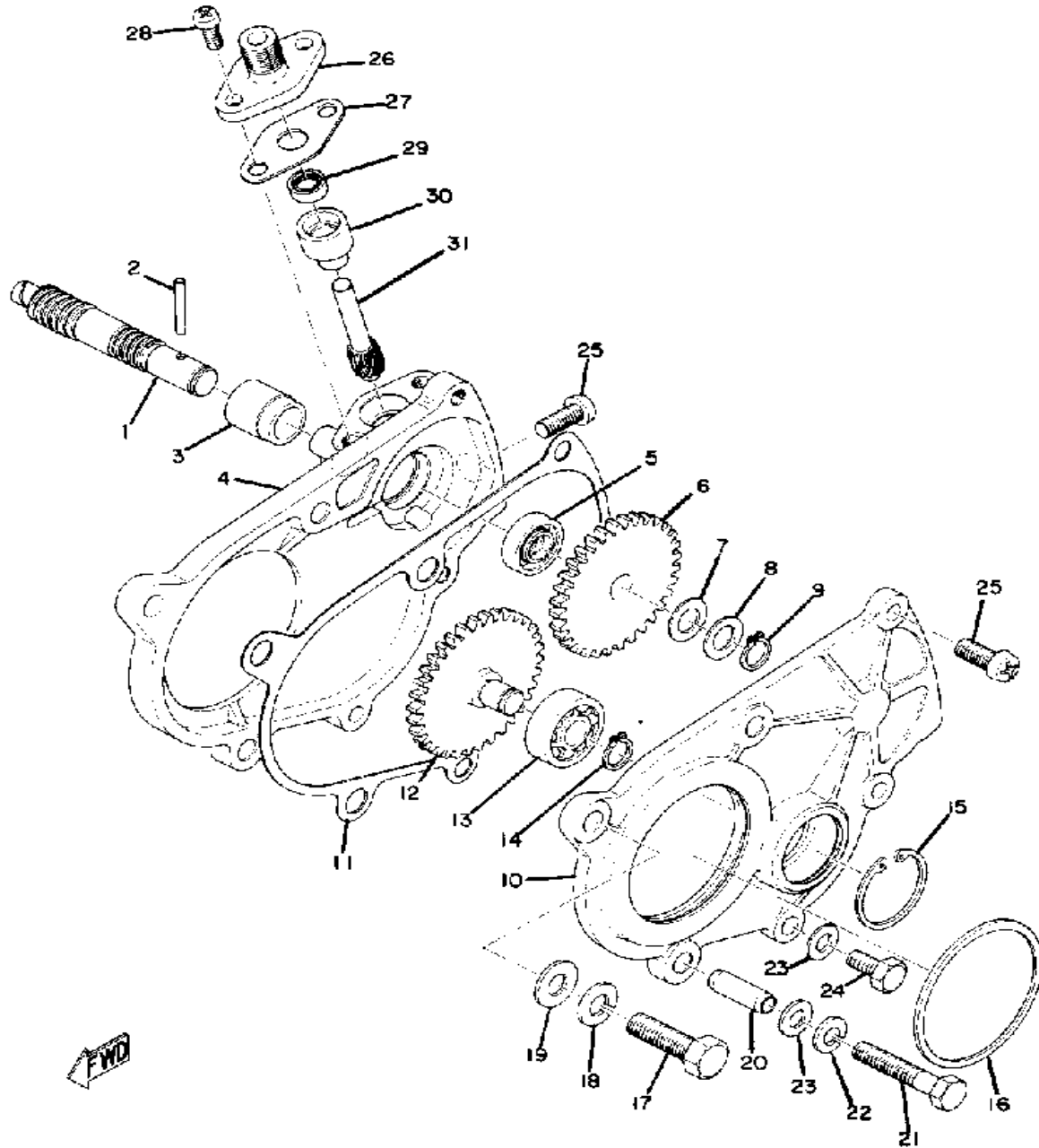


Ref. No.	Part Number	Description	Qty	Remarks
28	864-13157-00-00	ROD, PUMP CONTROL .....	1	
29	91490-12012-00	PIN, COTTER .....	1	
30	90170-03008-00	NUT, HEXAGON (807-13139-00)	1	
31	(90501-04019-00)	SPRING, COMPRESSION .....	1	
32	(90501-04019-00)	SPRING, COMPRESSION .....	1	
-1	(864-13101-00-00)	OIL PUMP ASSEMBLY .....	1	

Property of [www.SmallEngineDiscount.com](http://www.SmallEngineDiscount.com) - Not for Resale



# PUMP DRIVE GEAR

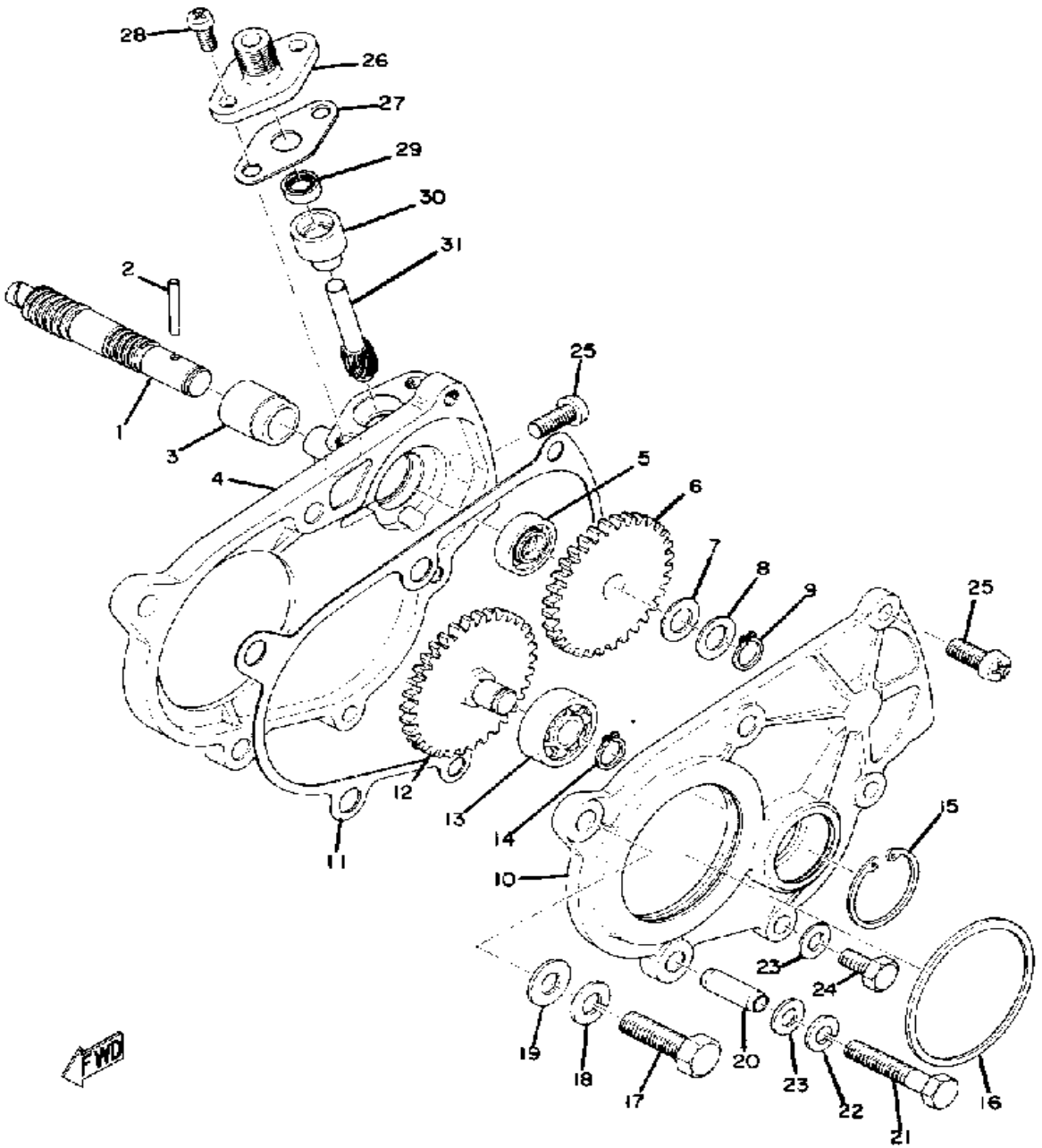


Ref. No.	Part Number	Description	Qty	Remarks
1	860-13175-00-00	SHAFT, WORM .....	1	
2	93603-22028-00	PIN, DOWEL .....	1	
3	821-13176-00-00	METAL, WORM SHAFT OUTER	1	
4	(839-15416-00-00)	COVER, OIL PUMP .....	1	
5	93101-10090-00	OIL SEAL .....	1	
6	821-13188-00-00	GEAR, DRIVE (32T) .....	1	
7	90206-11016-00	WASHER, WAVE .....	1	
8	137-13148-00-00	PLATE, CAM THRUST .....	1	
9	99009-10400-00	CIRCLIP .....	1	
10	839-15426-00-00	COVER, OIL PUMP R .....	1	
11	860-15466-00-00	GASKET 2 .....	1	
12	(821-13179-00-00)	GEAR, IDLE .....	1	
13	93306-00002-00	BEARING (B6000RS) .....	1	
14	99009-10400-00	CIRCLIP .....	1	
15	93420-26024-00	CIRCLIP, R-TYPE (R-26) .....	1	
16	(838-13119-00-00)	SEAL, GREASE .....	1	
17	97313-08030-00	BOLT, HEXAGON .....	1	
18	92990-08100-00	WASHER .....	1	
19	92990-08200-00	WASHER, PLAIN .....	1	
20	91810-18022-00	PIN, DOWEL .....	2	
21	97013-06035-00	BOLT .....	2	
22	92995-06100-00	WASHER, SPRING .....	2	
23	92990-06200-00	WASHER .....	3	
24	97011-06025-00	BOLT (97001-06025) .....	1	
25	98503-06014-00	SCREW, PAN HEAD (92502-06016) .....	3	
26	821-17819-00-00	CAP, HOUSING .....	1	
27	821-17818-02-00	GASKET .....	1	
28	98580-05010-00	SCREW, PAN HEAD .....	2	

CONTINUED ON NEXT FRAME ►

Property of [www.SmallEngineDiscount.com](http://www.SmallEngineDiscount.com) - Not for Resale

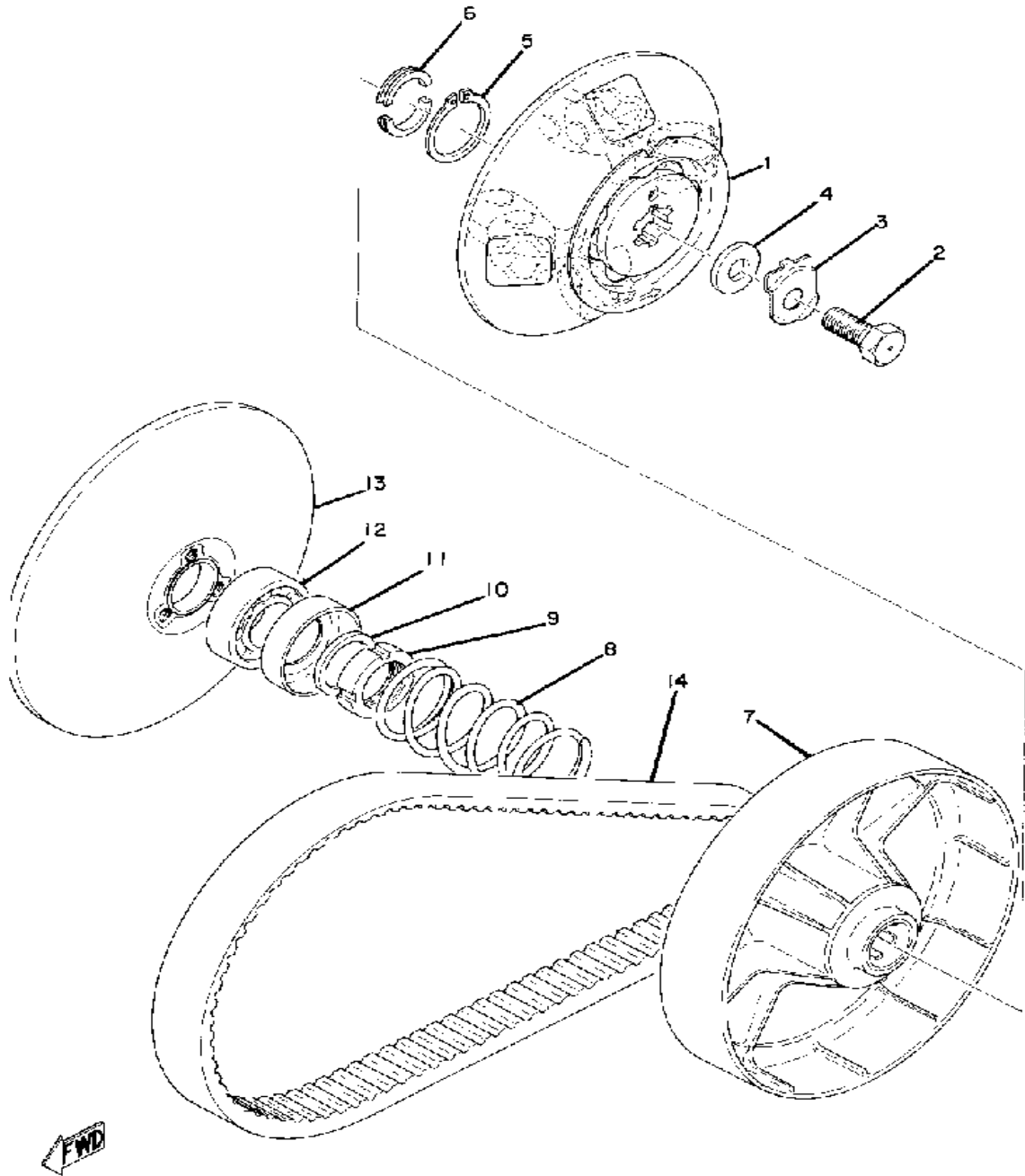
# PUMP DRIVE GEAR



Ref. No.	Part Number	Description	Qty	Remarks
29	813-27841-00-00	UNAVAILABLE IN PRICE BOOK	1	
30	821-17843-00-00	BUSH, DRIVEN GEAR OUTER	1	
31	93104-06033-00	OIL SEAL	1	

Property of [www.SmallEngineDiscount.com](http://www.SmallEngineDiscount.com) - Not for Resale

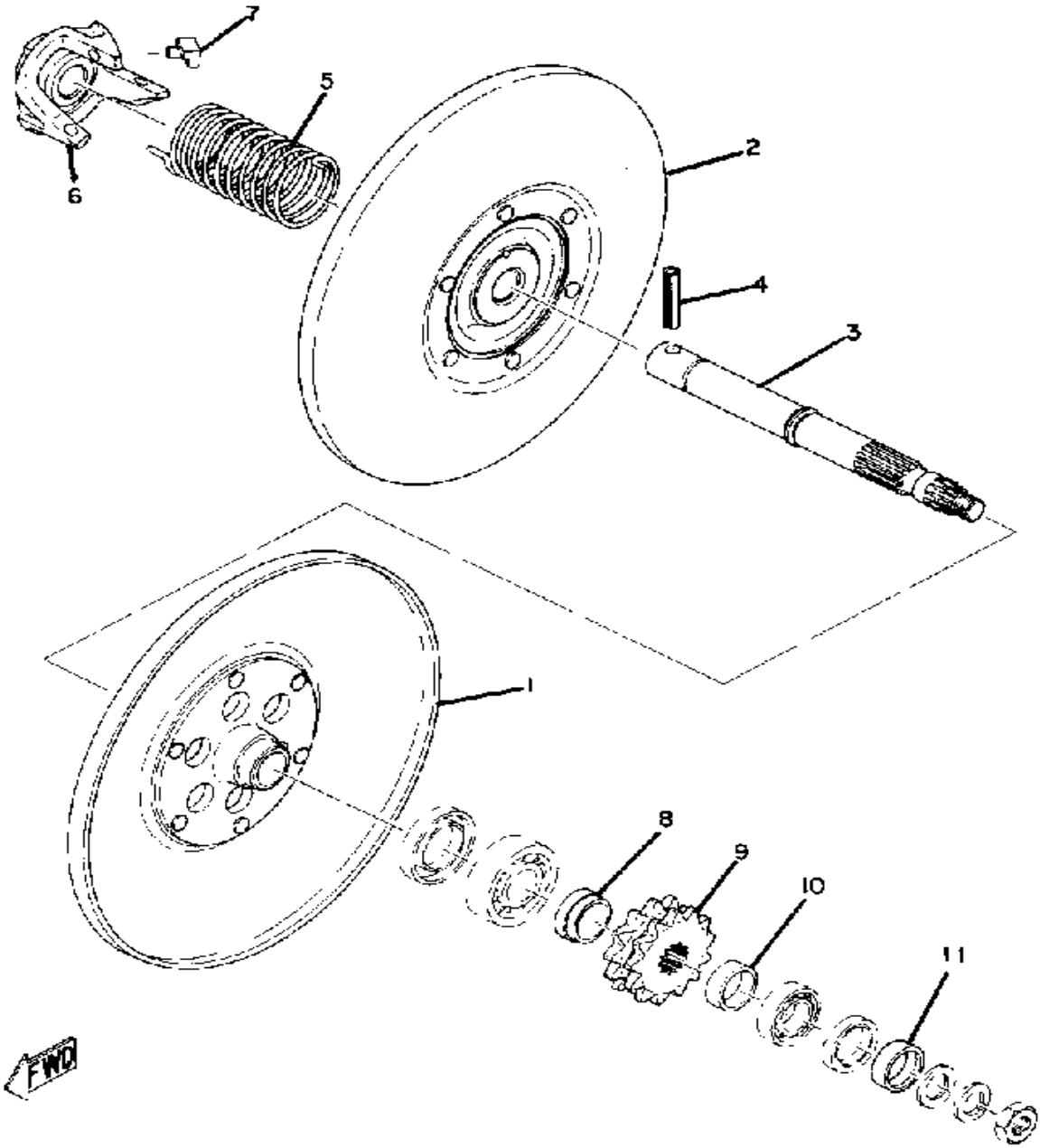
# PRIMARY SHEAVE



Ref. No.	Part Number	Description	Qty	Remarks
1	8F8-W1762-00-00	PRI. SHEAVE CAP (864-17630-01)	1	
2	(838-17647-01-00)	BOLT	1	
3	90215-12084-00	WASHER, LOCK	1	
4	90201-12191-00	WASHER, PLATE	1	
5	99009-30400-00	CIRCLIP	1	
6	806-17645-00-00	COLLAR	2	
7	864-17620-00-00	PRI SLIDG SHEAVECOMP.	1	
8	90501-50202-00	SPRING, COMPRESSION	1	
9	(810-17642-00-00)	NUT, BEARING	1	
10	90208-28003-00	WASHER, CONICAL SPR	1	
11	806-17644-00-00	SEAT, SPRING	1	
12	93306-20567-00	BEARING	1	
13	(864-W1761-00-00)	PRI. FIXED SHEAVE	1	
14	820-17641-00-00	V-BELT	1	

Property of [www.SmallEngineDiscount.com](http://www.SmallEngineDiscount.com) - Not for Resale

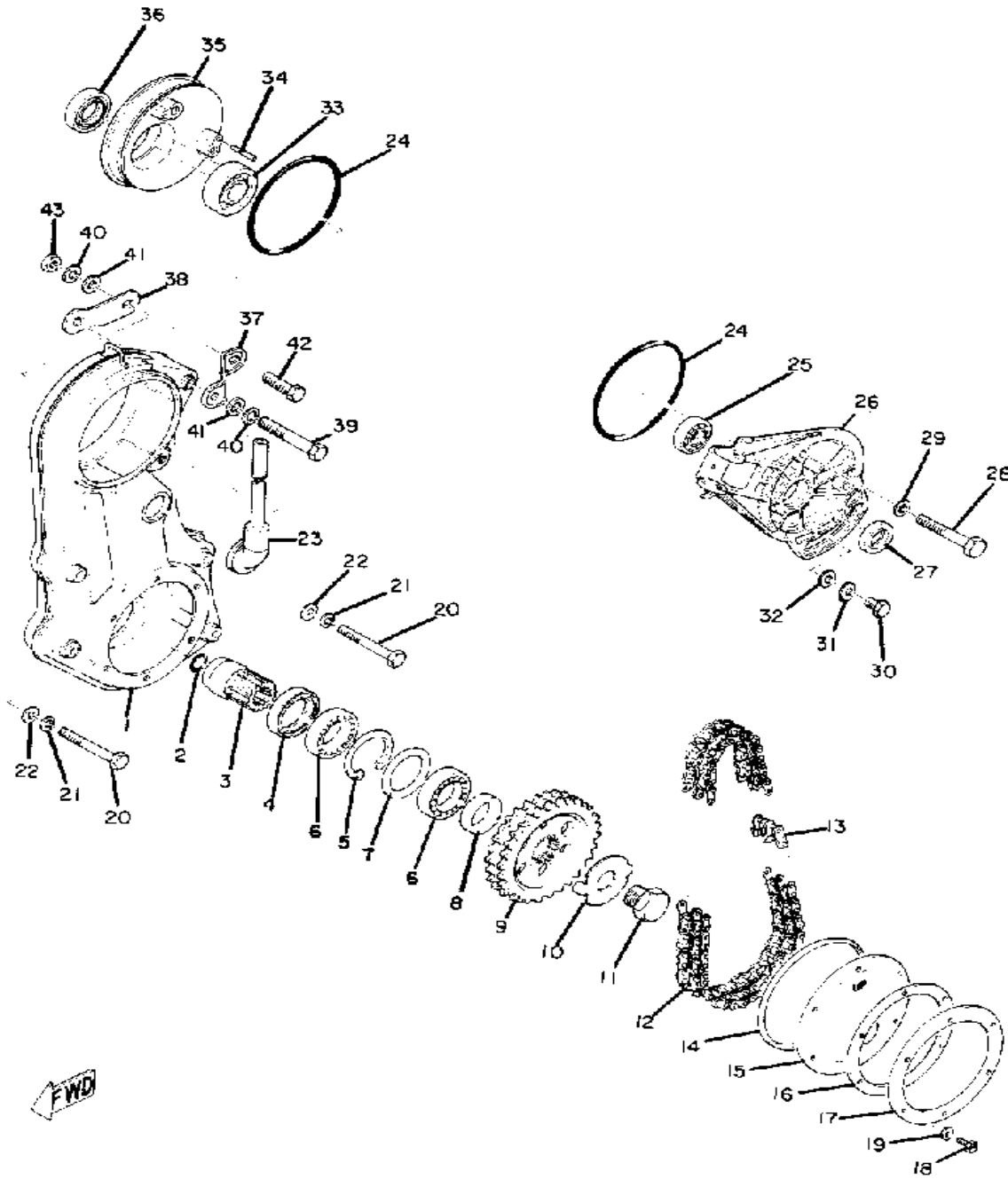
# SECONDARY SHEAVE



Ref. No.	Part Number	Description	Qty	Remarks
1	865-17660-00-00	SEC FXD SHVCOMP. ....	1	
2	(865-17670-00-00)	SEC SLIDING SHEAVE .....	1	
3	(810-17681-00-00)	SHAFT, SECONDARY .....	1	
4	91609-80040-00	PIN, SPRING .....	1	
5	805-17683-00-00	SPRING, SECONDARY (805-17683-00) .....	1	
6	810-17684-01-00	SEAT, SEC SPRINGSPRING ..	1	
7	801-17688-10-00	SHOE, RAMP .....	3	
8	90387-19149-00	COLLAR (812-17685-00) .....	1	
9	(810-17682-50-00)	SPRKT, CHAIN DR 15T .....	1	U.R.
	802-17682-40-00	SPRKT, CHAIN DR 13TCHAIN DRIVE (13T) (806-17682-30-0) .	1	U.R.
	806-17682-20-00	SPROCKET, CHAIN DRIVE (12T) .....	1	U.R.STD
	806-17682-40-00	SPROCKET, CHAIN DRIVE (14T) .....	1	U.R.
10	90387-17133-00	COLLAR .....	1	
11	90387-17130-00	COLLAR (818-17686-00) .....	1	

Property of [www.SmallEngineDiscount.com](http://www.SmallEngineDiscount.com) - Not for Resale

# TRACK DRIVE

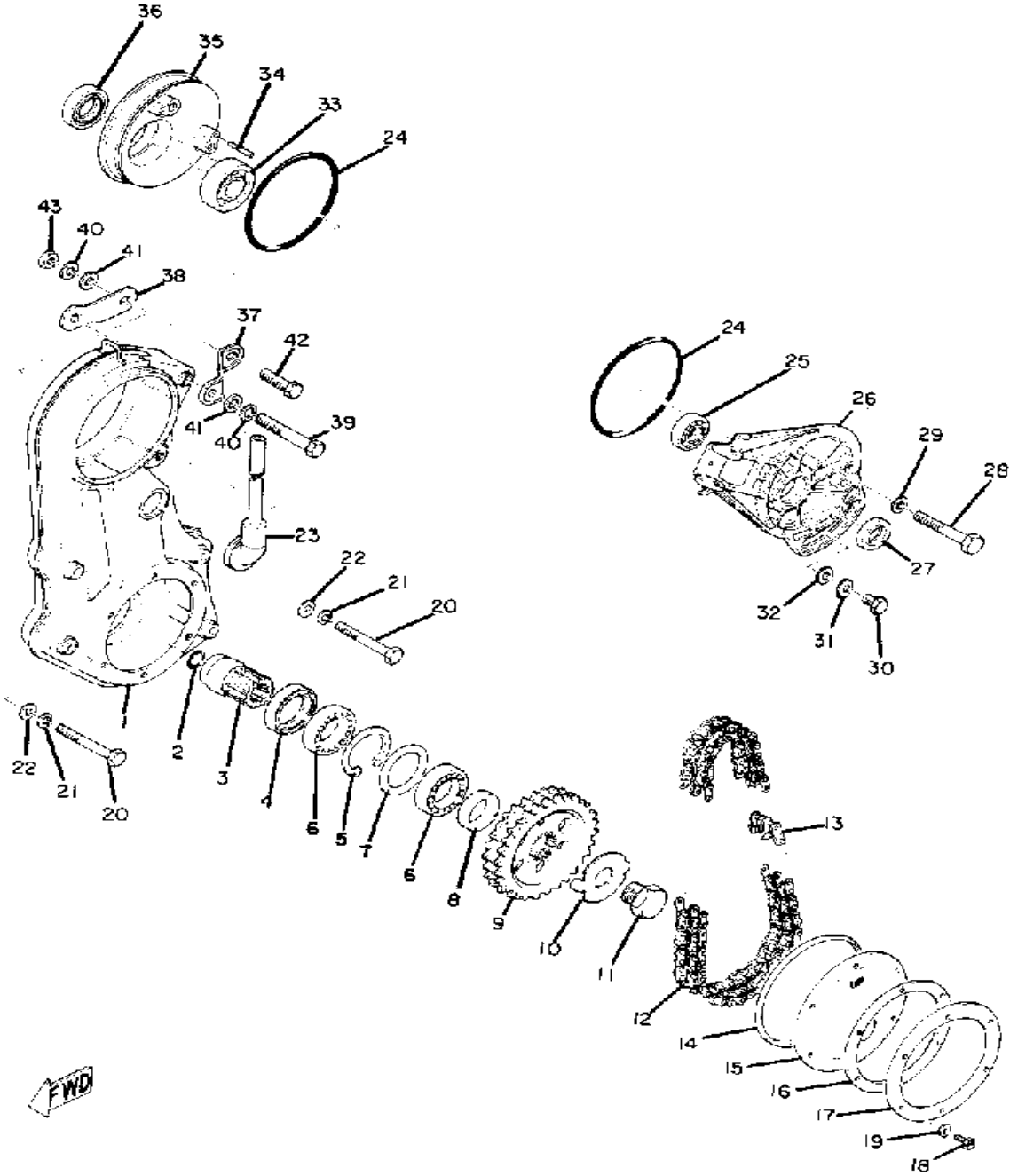


Ref. No.	Part Number	Description	Qty	Remarks
1	(844-47541-00-00)	HOUSING, CHAIN	1	
2	93210-25070-00	O-RING	1	
3	(841-47571-00-00)	JOURNAL 1	1	
4	93102-40080-00	OIL SEAL, SD-TYPE	1	
5	93420-55028-00	CIRCLIP, R-TYPE	1	
6	93306-90702-00	BEARING	2	
7	90560-35050-00	SPACER	1	
8	90387-35206-00	COLLAR	1	
9	(802-47548-40-00)	SPROCKET, CHN DRVN	1	U.R.
	(802-47548-60-00)	SPROCKET, CHN DRVN	1	U.R.STD
10	90215-24029-00	WASHER, LOCK	1	
11	90109-24203-00	BOLT	1	
12	94804-25068-00	CHAIN	1	
13	94904-25001-00	. JOINT CHAIN	1	
14	(806-47558-00-00)	RING, HOUSING	1	
15	(821-47543-00-00)	CAP, HOUSING	1	
16	821-47544-00-00	GASKET	1	
17	(821-47591-00-00)	PLATE	1	
18	90143-05004-00	SCREW, HEXAGON	6	
19	90210-05005-00	WASHER, SEAL	6	
20	97021-08070-00	BOLT	4	
21	92990-08100-00	WASHER	4	
22	92990-08200-00	WASHER, PLAIN	4	
23	(861-47559-00-00)	CAP 2	1	
24	93211-13109-00	O-RING	2	
25	93306-20310-00	BEARING	1	
26	845-47561-01-00	HOUSING, SEC SHAFT	1	
27	93102-22087-00	OIL SEAL	1	
28	97013-08060-00	BOLT (663)	2	

CONTINUED ON NEXT FRAME ➤

Property of [www.SmallEngineDiscount.com](http://www.SmallEngineDiscount.com) - Not for Resale

# TRACK DRIVE

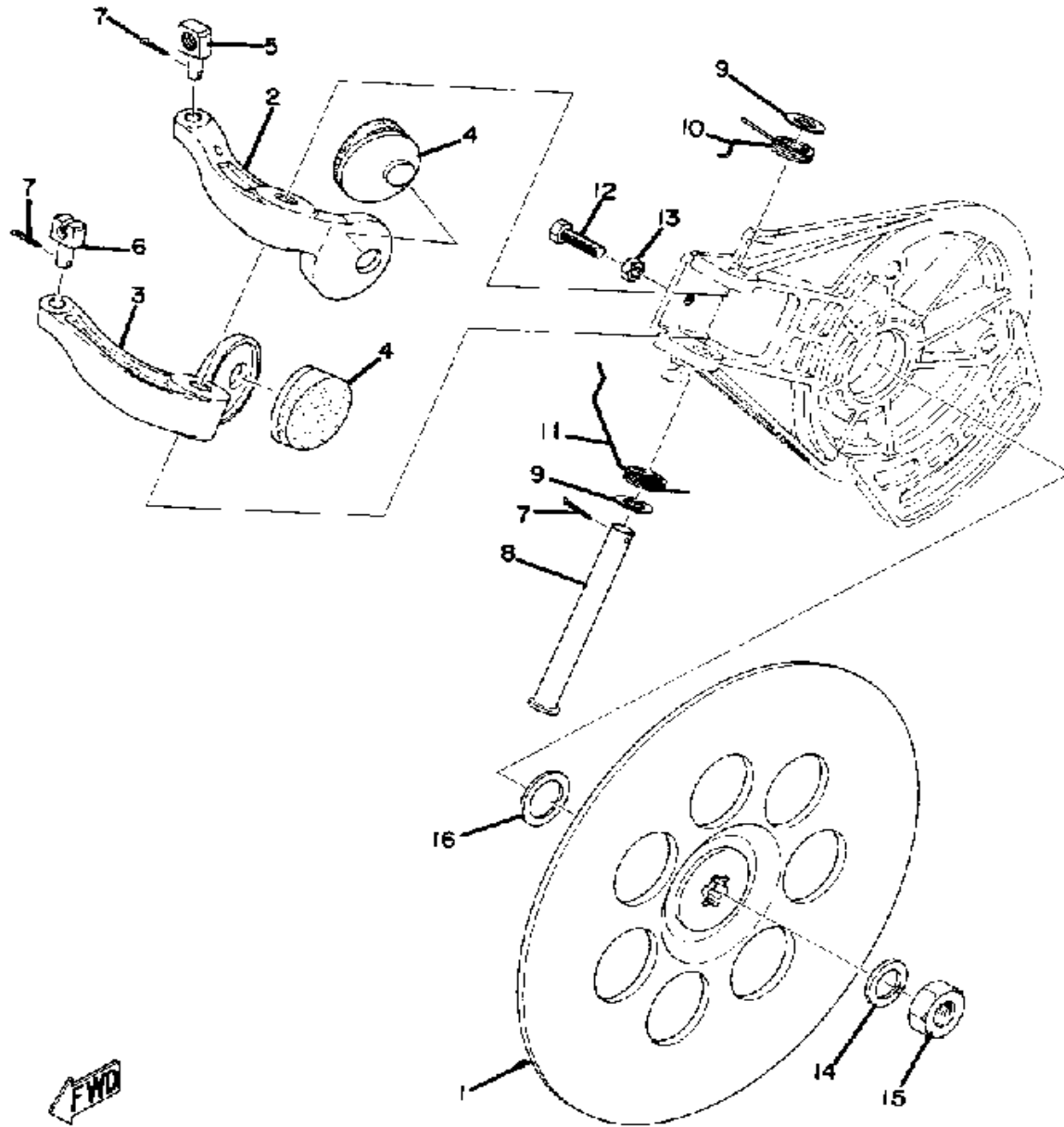


Ref. No.	Part Number	Description	Qty	Remarks
29	90210-08002-00	WASHER, SEAL .....	2	
30	97313-08016-00	BOLT, HEXAGON .....	1	
31	(90215-08027-00)	WASHER, LOCK .....	1	
32	92990-08200-00	WASHER, PLAIN .....	1	
33	93306-30407-00	BEARING (B6304C3) .....	1	
34	93604-18058-00	PIN, DOWEL .....	2	
35	810-47562-00-00	HOUSING, SEC SHAFT .....	1	
36	93102-30083-00	SEAL, OIL .....	1	
37	(841-47565-00-00)	STAY 1 .....	1	
38	(841-47566-00-00)	STAY 2 .....	1	
39	97021-08070-00	BOLT .....	1	
40	92990-08100-00	WASHER .....	2	
41	92990-08200-00	WASHER, PLAIN .....	2	
42	97313-08035-00	BOLT, HEXAGON .....	1	
43	95333-08600-00	NUT .....	1	

Property of [www.SmallEngineDiscount.com](http://www.SmallEngineDiscount.com) - Not for Resale



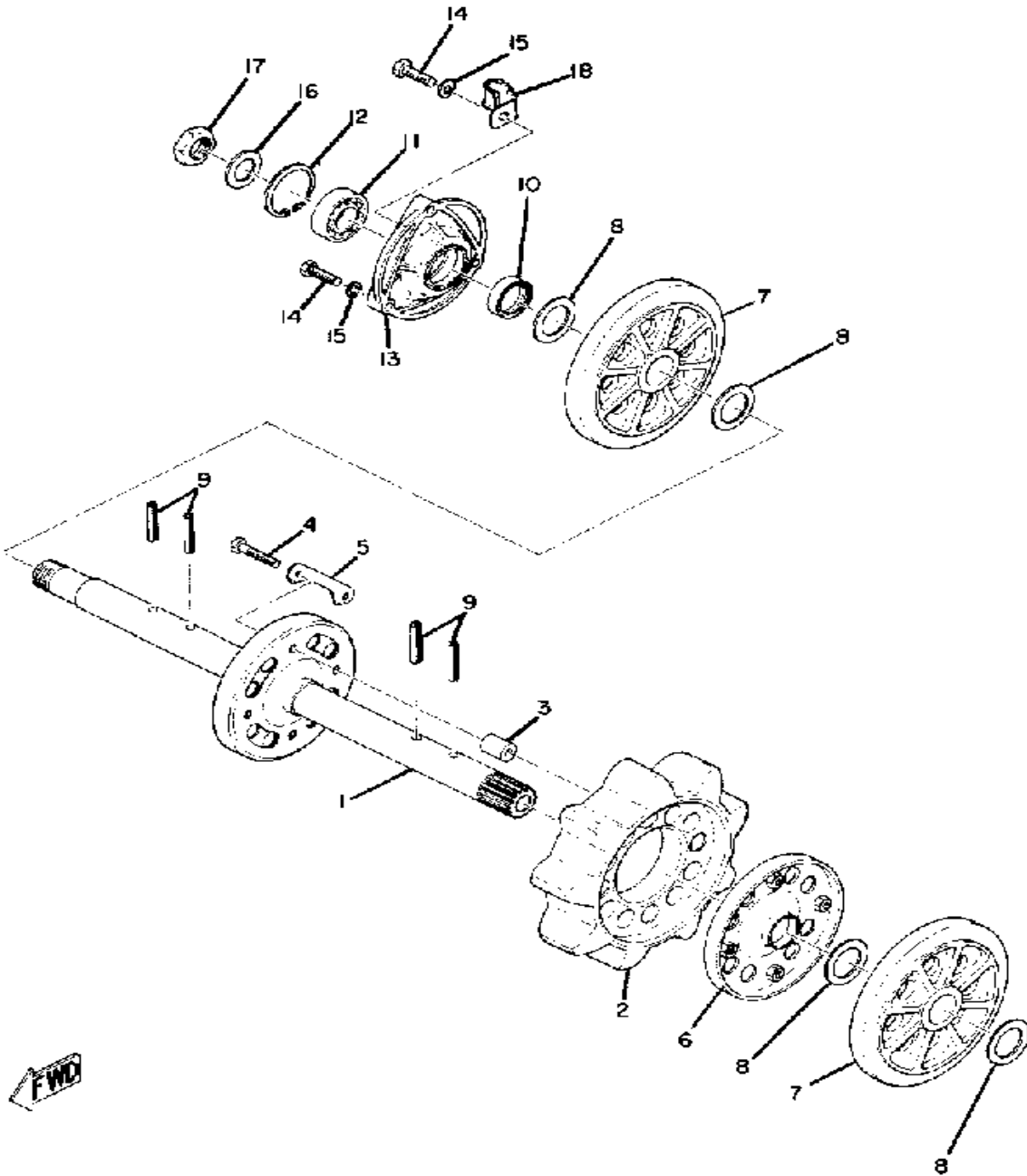
# BRAKE



Ref. No.	Part Number	Description	Qty	Remarks
1	845-25711-00-00	DISC, BRAKE	1	
2	838-25740-00-00	PAD, CALIPER (R.H.)	1	
3	838-25731-00-00	BODY, CALIPER 1	1	
4	(826-25732-09-00)	PAD, CALIPER	2	
5	90249-06012-00	PIN	1	
6	90249-06009-00	PIN	1	
7	91490-20020-00	PIN, COTTER	3	
8	90240-08023-00	PIN, CLEVIS	1	
9	92990-08200-00	WASHER, PLAIN	2	
10	(90508-29045-00)	SPRING, TORSION	1	
11	(90508-29046-00)	SPRING, TORSION	1	
12	97001-05018-00	BOLT HEXAGON	1	
13	95311-05700-00	NUT	1	
14	92901-12100-00	WASHER, SPRING	1	
15	95301-12700-00	NUT (95302-12700)	1	
16	(150-17417-00-03)	SHIM 1	1	
	150-17417-00-02	SHIM 1	1	

Property of [www.SmallEngineDiscount.com](http://www.SmallEngineDiscount.com) - Not for Resale

# FRONT AXLE

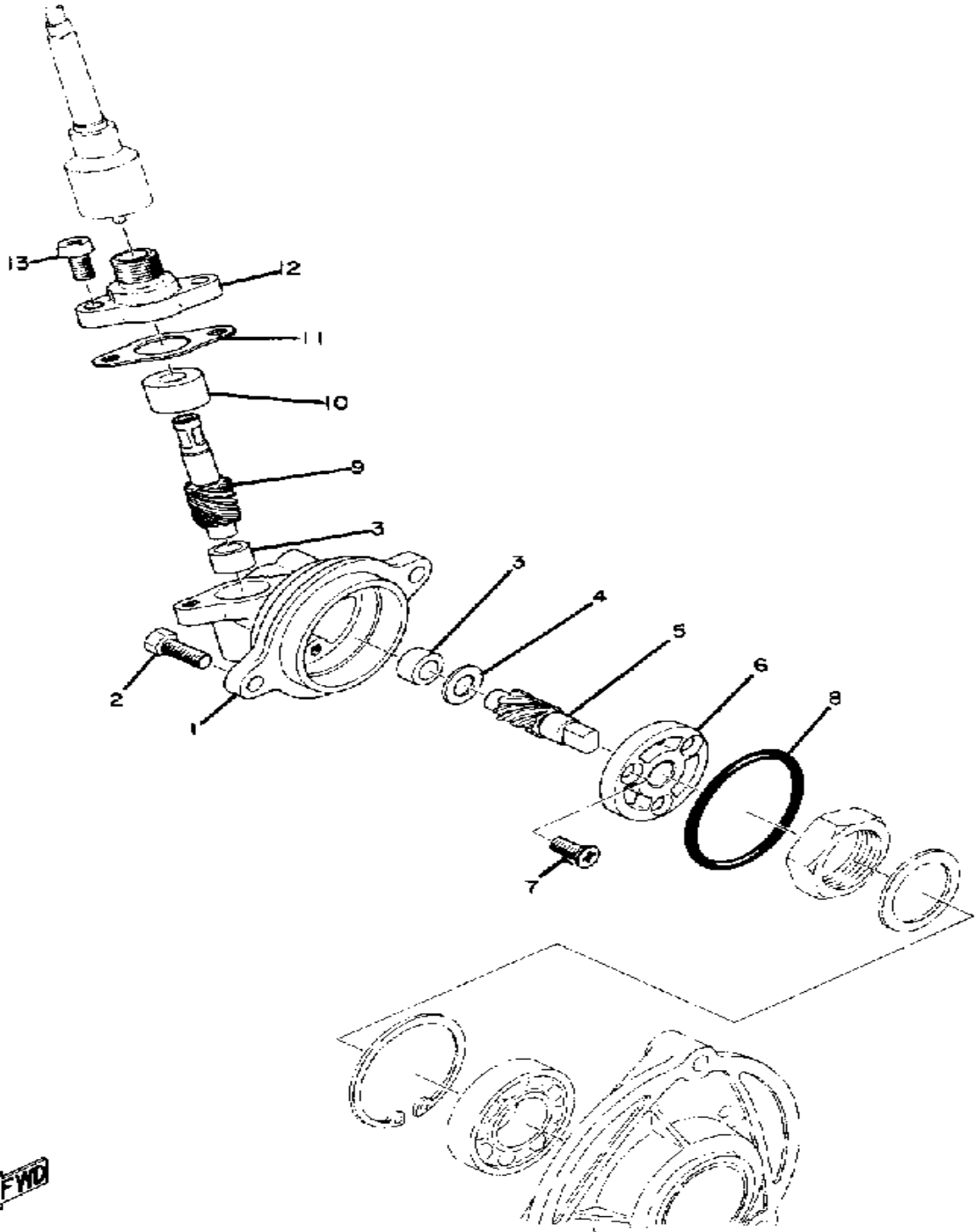


Ref. No.	Part Number	Description	Qty	Remarks
1	821-47510-00-00	FRONT AXLE .....	1	
2	810-47532-00-00	WHEEL, SPROCKET 2 .....	1	
3	(90387-06021-00)	COLLAR .....	4	
4	97013-06035-00	BOLT .....	4	
5	90215-06100-00	WASHER, LOCK .....	2	
6	(810-47522-00-00)	RIM, SPROCKET WHL 2 .....	1	
7	810-47530-00-00	GUIDE WHEEL .....	2	
8	90201-25499-00	WASHER, PLATE .....	4	
9	91609-60036-00	PIN, SPRING .....	4	
10	93102-25084-00	OIL SEAL, SD-TYPE .....	1	
11	93102-25084-00	OIL SEAL, SD-TYPE .....	1	
12	93420-44029-00	CIRCLIP, R-TYPE .....	1	
13	841-47551-00-00	HOUSING, FRONT AXLE .....	1	
14	97013-08025-00	BOLT .....	3	
15	92990-08100-00	WASHER .....	3	
16	90208-22001-00	WASHER, CONICAL SPRING ..	1	
17	90170-22094-00	NUT .....	1	
18	90465-06100-00	CLAMP .....	1	

Property of [www.SmallEngineDiscount.com](http://www.SmallEngineDiscount.com) - Not for Resale

**B10**

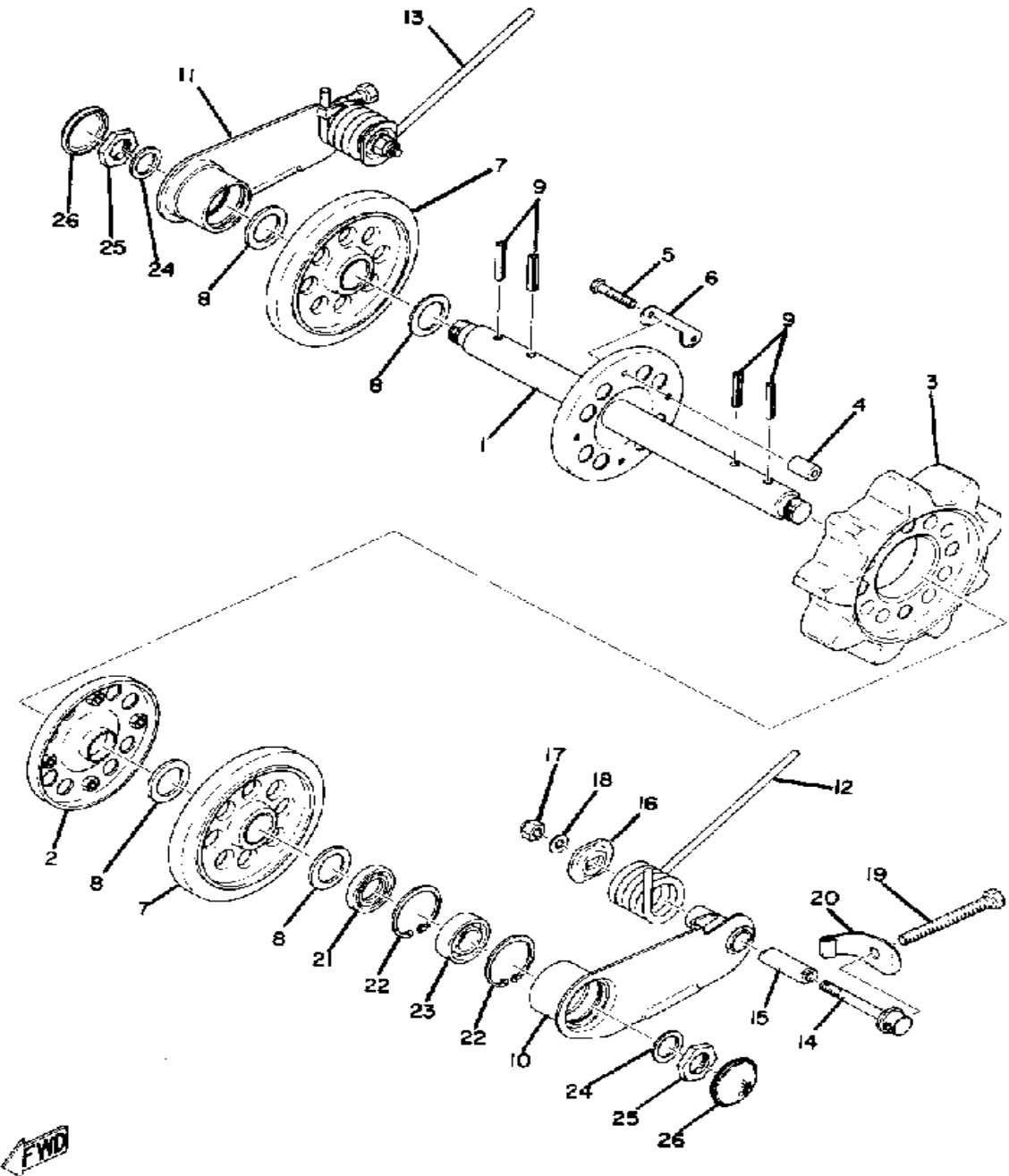
# SPEEDOMETER GEAR UNIT



Ref. No.	Part Number	Description	Qty	Remarks
1	8E6-47711-10-00	HOUSING	1	
2	97313-06016-00	BOLT, HEXAGON	2	
3	(90380-08002-00)	BUSH, SOLID	2	
4	810-47717-10-00	SHIM	1	
5	810-47731-11-00	GEAR, DRIVE	1	
6	853-47712-10-00	JOURNAL	1	
7	98701-04012-00	SCREW, FLAT HEAD	3	
8	93210-43141-00	O-RING	1	
9	810-47741-11-00	GEAR, DRIVEN (810-47741-10)	1	
10	90380-08005-00	BUSH, SOLID	1	
11	810-47727-10-00	GASKET	1	
12	8E3-47721-10-00	COVER, HOUSING	1	
13	98580-05012-00	SCREW, PAN HEAD	2	

Property of [www.SmallEngineDiscount.com](http://www.SmallEngineDiscount.com) - Not for Resale

# REAR AXLE

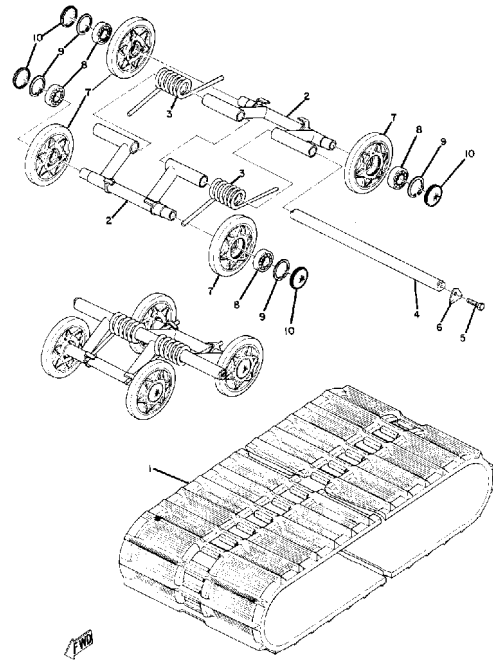


Ref. No.	Part Number	Description	Qty	Remarks
1	853-47520-01-00	REAR AXLE	1	
2	853-47522-00-00	RIM, SPROCKET WHL 2	1	
3	810-47532-00-00	WHEEL, SPROCKET 2	1	
4	90387-062M9-00	COLLAR	4	
5	97013-06035-00	BOLT	4	
6	90215-06100-00	WASHER, LOCK	2	
7	810-47530-00-00	GUIDE WHEEL	2	
8	90201-25499-00	WASHER, PLATE	4	
9	91609-60036-00	PIN, SPRING	4	
10	853-47361-00-00	ARM, REAR PIVOT 1	1	
11	(853-47362-00-00)	ARM, REAR PIVOT 2	1	
12	90508-72114-00	SPRING, TORSION	1	
13	90508-72084-00	SPRING, TORSION (812-47364-00)	1	
14	90149-08021-00	SCREW, SPEC'L SHAPE (853-47367-01)	2	
15	853-47369-00-00	COLLAR	2	
16	90209-22027-00	WASHER, SPEC'L SHAP	2	
17	90185-08089-00	NUT, SELF-LOCKING	2	
18	90201-08326-00	WASHER, PLATE	2	
19	90106-08050-00	BOLT, DOME HEAD (841-47373-00)	2	
20	90215-08069-00	WASHER, LOCK	2	
21	93102-25110-00	OIL SEAL, SD-TYPE	2	
22	93450-42020-00	CIRCLIP, INNER	4	
23	93306-00426-00	BEARING	2	
24	90208-20008-00	WASHER, CONICAL SPRING	2	
25	90170-20102-00	NUT, HEXAGON	2	
26	818-47317-01-00	CAP, WHEEL	2	

Property of [www.SmallEngineDiscount.com](http://www.SmallEngineDiscount.com) - Not for Resale

B12

# TRACK - SUSPENSION WHEEL



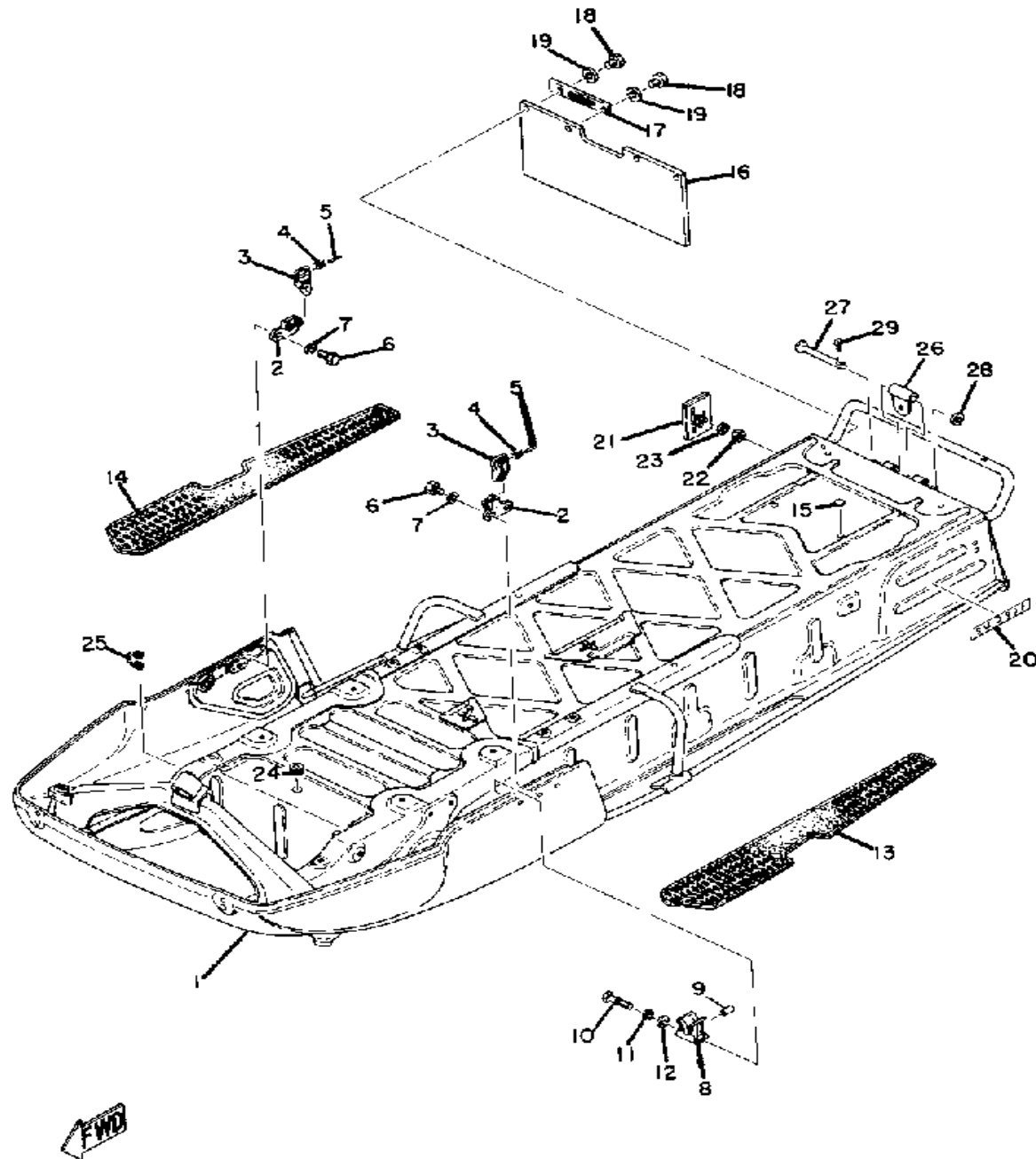
TRACK (WIDTH)/TENSION | 16 inches | 1 inch @ 22 lb. Pull

Ref. No.	Part Number	Description	Qty	Remarks
1	(861-47110-00-00)	TRACK ASSEMBLY .....	1	
2	(806-47331-01-00)	ARM, PIVOT 1 .....	6	
3	90508-65089-00	SPRING, TORSION .....	2	
	90508-70100-00	SPRING, TORSION .....	4	
4	(802-47337-00-00)	SHAFT, PIVOT .....	3	
5	97313-08030-00	BOLT, HEXAGON .....	6	
6	(806-47347-00-00)	WASHER, LOCK .....	6	
7	885-47320-01-00	SUSPENSION WHEEL COMP. .	12	
8	93306-00441-00	BEARING (89A) (B6004RS) ...	12	
9	99009-42500-00	CIRCLIP .....	12	
10	818-47317-01-00	CAP, WHEEL .....	12	

Property of [www.SmallEngineDiscount.com](http://www.SmallEngineDiscount.com) - Not for Resale

C1

# FRAME



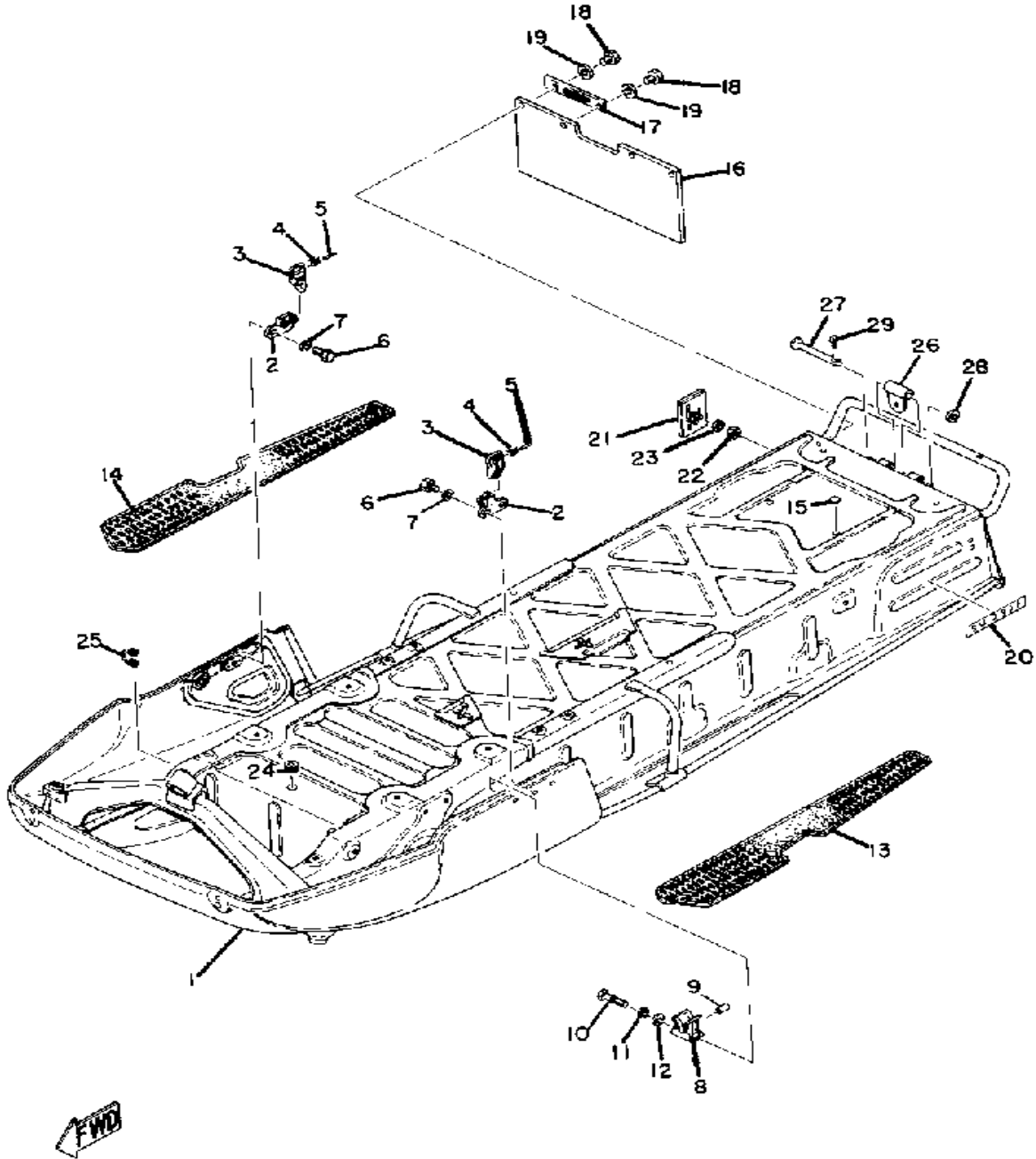
Ref. No.	Part Number	Description	Qty	Remarks
1	(864-21910-00-00)	FRAME .....	1	
2	(806-77172-00-00)	BODY, LATCH 2 .....	2	
3	(806-77137-00-00)	CLAMP 3 .....	2	
4	90508-10012-00	. SPRING, TORSION .....	2	
5	90249-04068-00	. PIN, SPECL SHAPE .....	2	
6	97313-05016-00	BOLT, HEXAGON .....	4	
7	92990-05100-00	WASHER, SPRING .....	4	
8	90464-09006-00	CLAMP .....	2	
9	821-77188-01-00	STOPPER .....	2	
10	97026-06045-00	BOLT .....	2	
11	92906-06100-00	WASHER, SPRING .....	2	
12	92906-06200-00	WASHER .....	2	
13	878-27413-00-00	COVER, FOOTREST .....	1	
14	878-27423-00-00	COVER, FOOTREST .....	1	
15	(867-21969-00-00)	COVER, NUT .....	2	
16	(802-77595-02-00)	FLAP .....	1	
17	(802-77593-00-00)	PLATE, FLAP 1 .....	1	
18	97013-06012-00	BOLT .....	4	
19	92995-06100-00	WASHER, SPRING .....	4	
20	(864-77354-00-00)	EMBLEM 4 .....	2	
21	(821-85131-00-00)	REFLECTOR, REAR 1 .....	2	
22	90185-06040-00	NUT, SELF-LOCKING .....	2	
23	92990-06200-00	WASHER .....	2	
24	810-77716-00-00	ORNAMENT, INSTRUMENT PANEL 2 .....	1	
25	(841-82591-00-00)	BAND .....	1	
26	802-77591-00-00	BRACKET, HITCH 1 .....	1	
27	(91701-08102-00)	PIN, CLEVIS .....	1	
28	92990-08200-00	WASHER, PLAIN .....	1	

CONTINUED ON NEXT FRAME ►

Property of [www.SmallEngineDiscount.com](http://www.SmallEngineDiscount.com) - Not for Resale



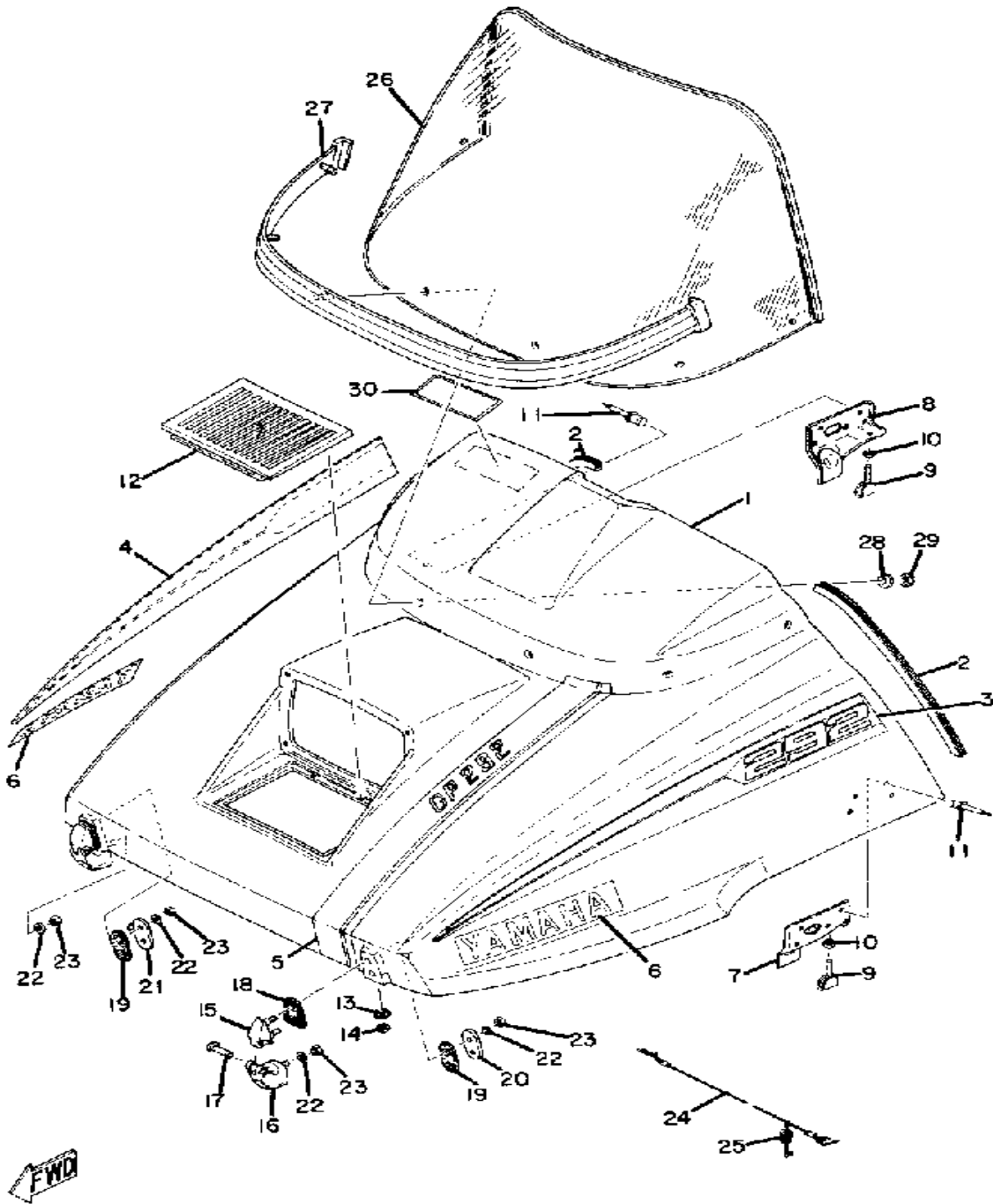
# FRAME



Ref. No.	Part Number	Description	Qty	Remarks
29	91401-25020-00	PIN, COTTER .....	1	
-1	806-77170-00-00	LATCH ASSEMBLY .....	2	

Property of [www.SmallEngineDiscount.com](http://www.SmallEngineDiscount.com) - Not for Resale

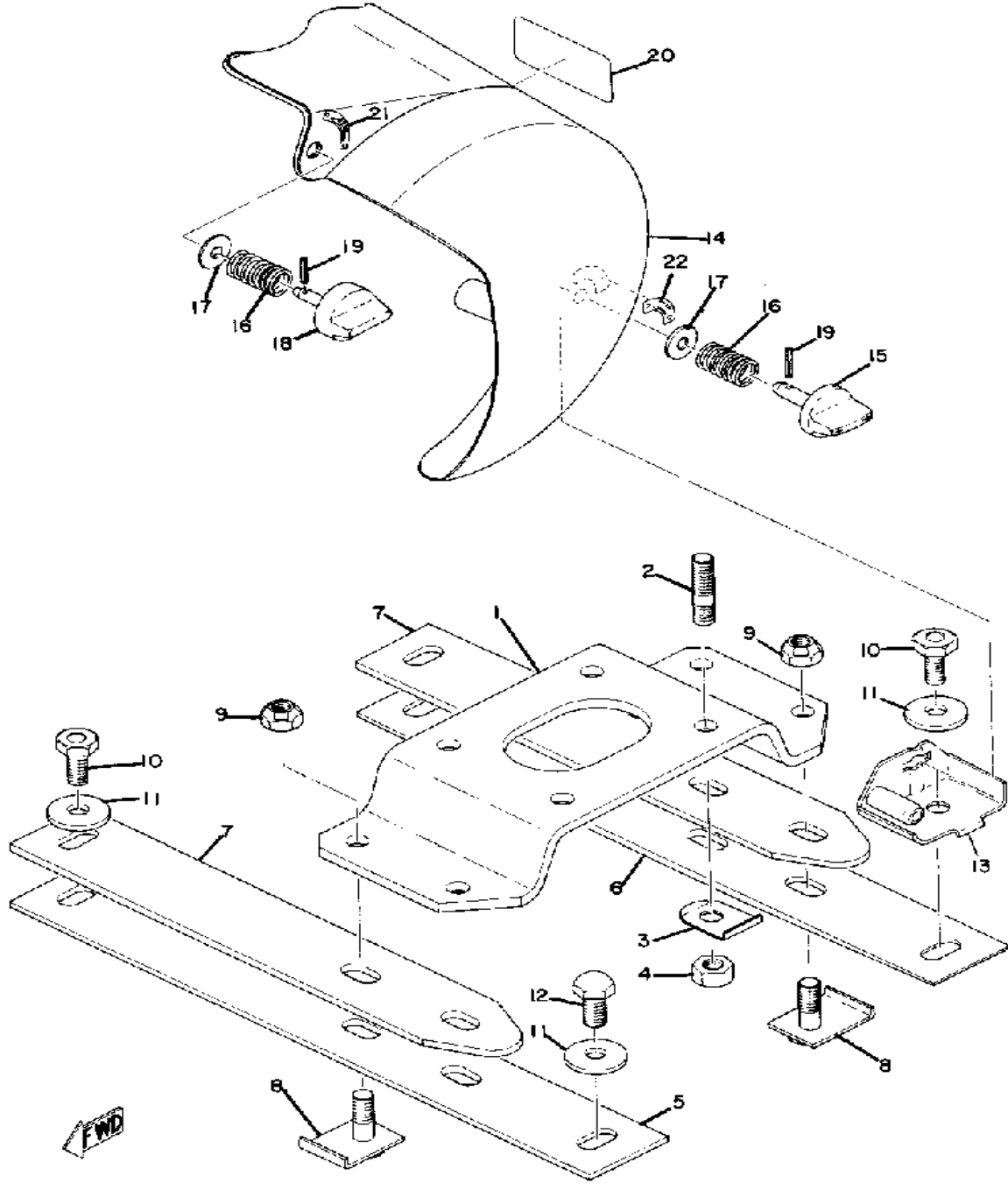
# SHROUD



Ref. No.	Part Number	Description	Qty	Remarks
1	(853-77111-00-00)	SHROUD .....	1	
2	(853-77166-00-00)	TRIM 2 .....	2	
3	(867-77163-00-00)	ORNAMENT 1 .....	1	
4	867-77164-00-00	ORNAMENT 2 .....	1	
5	(864-77169-01-00)	ORNAMENT 3 .....	1	
6	(863-77357-00-00)	EMBLEM 7 .....	2	
7	(841-77136-00-00)	CLAMP 2 .....	1	
8	(841-77138-00-00)	CLAMP 4 .....	1	
9	(841-77171-01-00)	BODY, LATCH 1 .....	2	
10	95380-06600-00	NUT .....	2	
11	90267-40M00-00	RIVET, BLIND .....	8	
12	853-77131-00-00	LOUVER 1 .....	1	
13	838-77143-00-00	EMBLEM 3 .....	2	
14	90183-05003-00	NUT, SPRING .....	2	
15	(841-77140-00-00)	HINGEASSEMBLY .....	2	
16	(841-77147-00-00)	HINGE 3 .....	2	
17	90243-05003-00	PIN .....	2	
18	841-77199-00-00	DAMPER 2 .....	2	
19	(841-77198-00-00)	DAMPER 1 .....	2	
20	(841-77153-00-00)	PLATE, BACK UP 1 .....	1	
21	(841-77154-00-00)	PLATE, BACK UP 2 .....	1	
22	92995-06100-00	WASHER, SPRING .....	6	
23	95380-06600-00	NUT .....	6	
24	8E4-77118-00-00	STOPPER, SHROUD .....	1	
26	853-77210-00-00	WINDSHIELD .....	1	
27	(853-77220-00-00)	TRIM LOWER ASSEMBLY .....	1	
28	90201-05036-00	WASHER, PLATE .....	6	
29	90185-05028-00	NUT, SELF-LOCKING .....	6	
30	288-21659-00-00	LABEL, SAFETY .....	1	

Property of [www.SmallEngineDiscount.com](http://www.SmallEngineDiscount.com) - Not for Resale

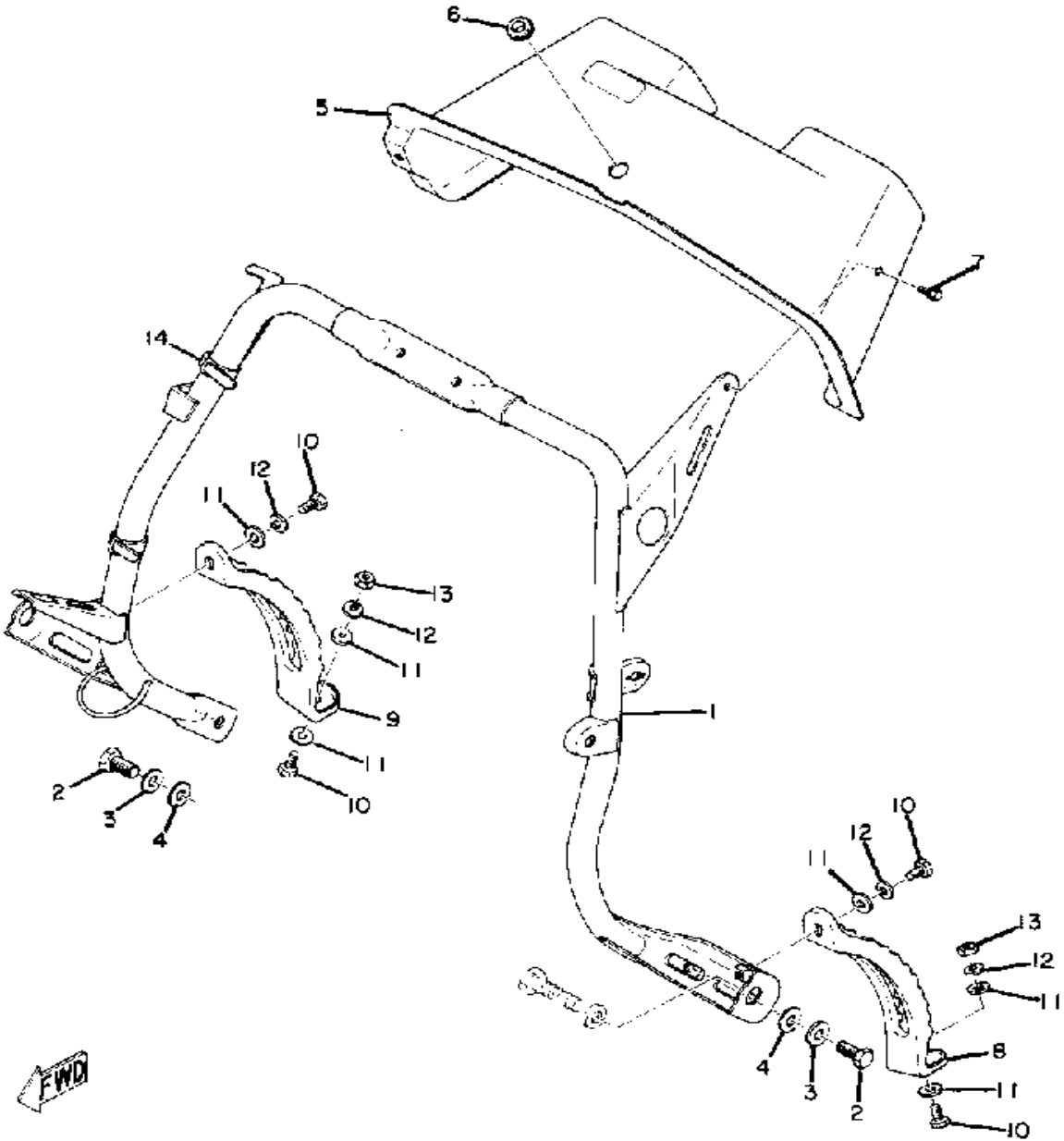
# ENGINE BRACKET



Ref. No.	Part Number	Description	Qty	Remarks
1	(839-21411-01-00)	BRACKET, ENGINE 1	1	
2	(90116-10084-00)	BOLT, STUD	4	
3	(839-21493-00-00)	WASHER, LOCK	4	
4	95311-10600-00	NUT	4	
5	(839-21419-01-00)	BRACKET, ENGINE 2	1	
6	839-21429-01-00	BRACKET, ENGINE 3	1	
7	(839-21482-00-00)	BOLT, ENG MNTNG 2	2	
8	(839-21482-00-00)	BOLT, ENG MNTNG 2	4	
9	90185-10030-00	NUT, SELF-LOCKING	4	
10	(90101-10057-00)	BOLT	3	
11	90208-10013-00	WASHER, CONICAL SPR	4	
12	(90106-10015-00)	BOLT, DOME HEAD	1	
13	844-77315-00-00	BRACKET 1	1	
14	(844-77311-00-00)	GUARD, DRIVE	1	
15	844-77324-00-00	KNOB	1	
16	90501-16103-00	SPRING, COMPRESSION	2	
17	90201-08104-00	WASHER, PLATE	2	
18	(829-77324-00-00)	KNOB	1	
19	91609-40018-00	PIN, SPRING	2	
20	(829-77365-00-00)	EMBLEM 0	1	
21	(829-77366-00-00)	EMBLEM 1	1	
22	(829-77367-00-00)	EMBLEM 2	1	

Property of [www.SmallEngineDiscount.com](http://www.SmallEngineDiscount.com) - Not for Resale

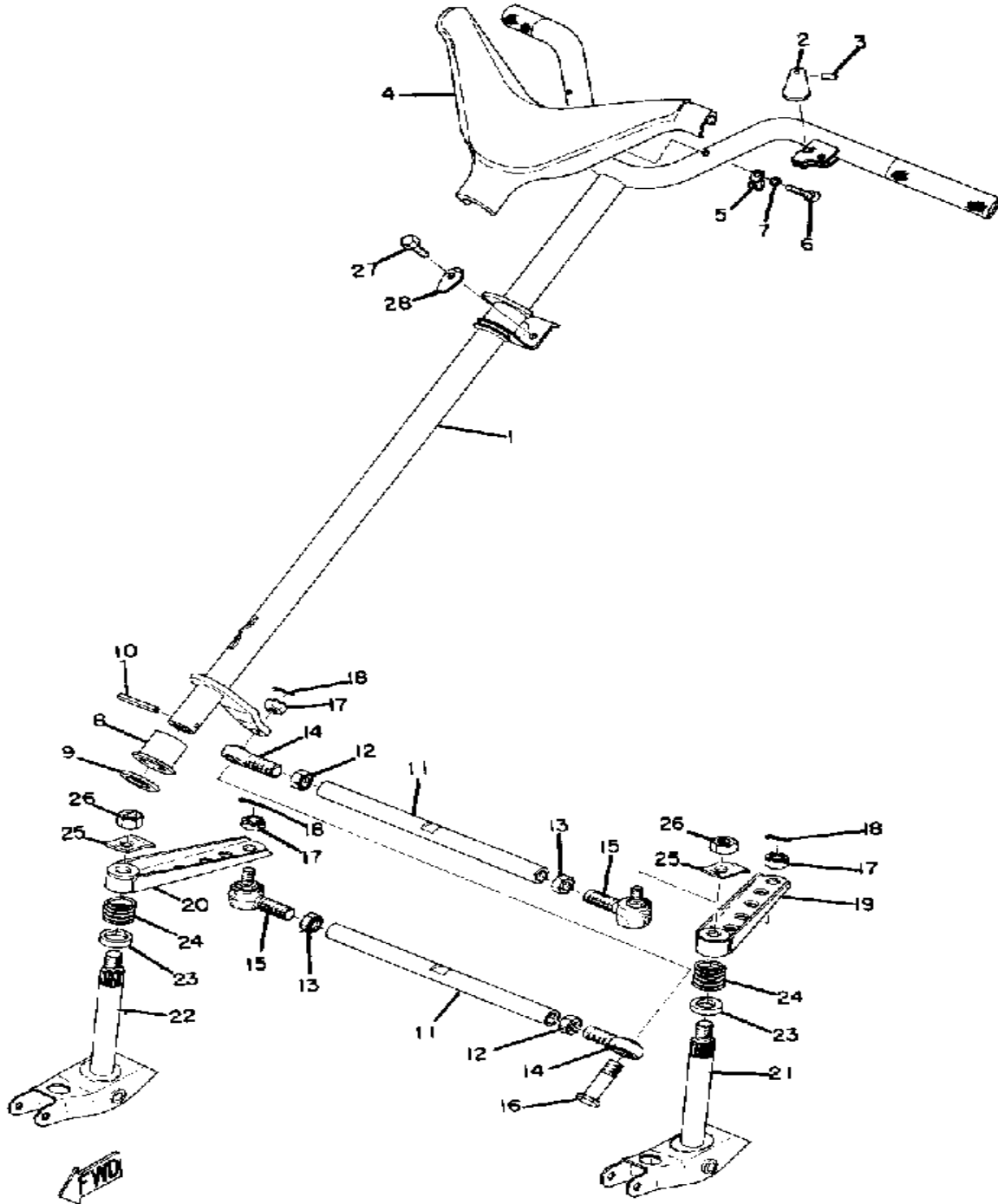
# STEERING GATE



Ref. No.	Part Number	Description	Qty	Remarks
1	(867-23870-01-00)	STEERING GATE .....	1	
2	97026-08018-00	BOLT .....	2	
3	90201-08624-00	WASHER, PLATE .....	2	
4	(861-23895-00-00)	WASHER, LOCK 2 .....	2	
5	(864-77711-00-00)	PANEL, INSTRUMENT .....	1	
6	90480-13018-00	GROMMET .....	1	
7	(97306-05012-00)	BOLT, HEXAGON .....	2	
8	(841-27411-00-00)	FOOTREST 1 .....	1	
9	(841-27421-00-00)	FOOTREST 2 .....	1	
10	97313-06016-00	BOLT, HEXAGON .....	4	
11	92990-06200-00	WASHER .....	6	
12	92995-06100-00	WASHER, SPRING .....	4	
13	95380-06600-00	NUT .....	2	
14	437-83936-11-00	BAND, SWITCH CORD .....		
7-1	92906-05100-00	WASHER, SPRING .....	2	
7-2	92906-05200-00	WASHER, PLAIN .....	2	

Property of [www.SmallEngineDiscount.com](http://www.SmallEngineDiscount.com) - Not for Resale

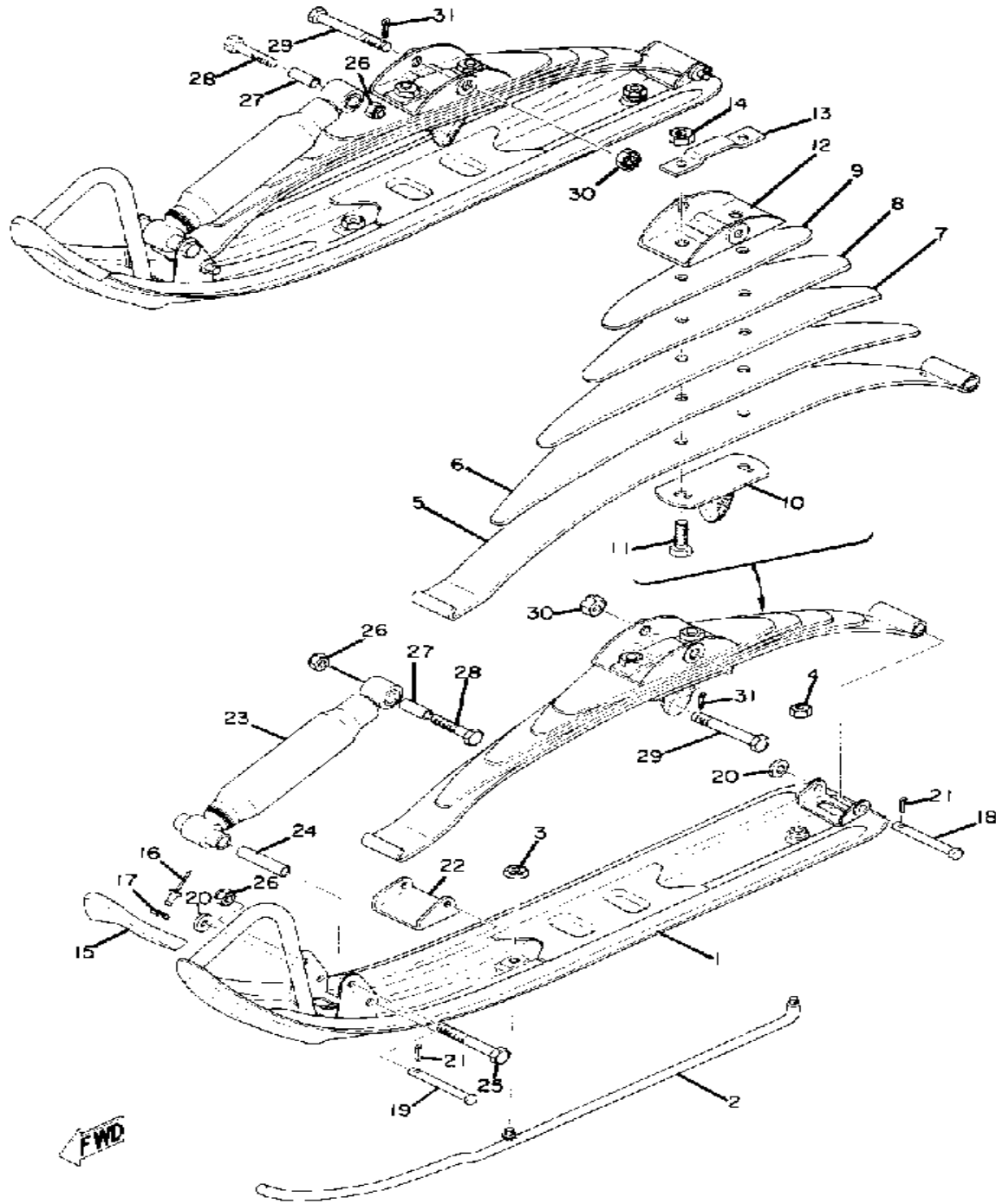
# STEERING



Ref. No.	Part Number	Description	Qty	Remarks
1	867-23810-00-00	STRG COLUMN ASSEMBLY ..	1	
2	(803-83965-00-00)	LEVER, LOCK .....	1	
3	(90249-04022-00)	PIN, SPEC'L SHAPE .....	1	
4	(863-23815-01-00)	PAD, STEERING .....	1	
5	(90462-08003-00)	CLAMP .....	2	
6	98501-05035-00	SCREW, PAN HEAD .....	2	
7	92990-05100-00	WASHER, SPRING .....	2	
8	(853-23875-00-00)	BEARING, STRG LOWER .....	1	
9	(841-23812-01-00)	BEARING, STEERING .....	1	
10	91609-60045-00	PIN, SPRING .....	1	
11	(826-23821-00-00)	ROD, STEERING RELAY .....	2	
12	90170-12055-00	NUT .....	2	
13	90170-12054-00	NUT .....	2	
14	861-23841-00-00	JOINT, UNIVERSAL 1 .....	2	
15	(821-23845-90-00)	JOINT, UNIVERSAL 2 .....	2	
16	(90109-10222-00)	BOLT .....	1	
17	95306-10900-00	NUT, SLOTTED .....	3	
18	91401-25030-00	PIN, COTTER .....	3	
19	(841-23851-01-00)	ARM, OUTSIDE 1 .....	1	
20	841-23852-01-00	ARM, OUTSIDE 2 .....	1	
21	(864-23853-01-00)	COLUMN, SKI 1 .....	1	
22	(864-23854-01-00)	COLUMN, SKI 2 .....	1	
23	90560-20037-00	SPACER .....	2	
24	90501-35154-00	SPRING, COMPRESSION .....	2	
25	90215-12037-00	WASHER, LOCK .....	2	
26	95303-12600-00	NUT .....	2	
27	97023-06020-00	BOLT (3XF) .....	2	
28	(90215-06038-00)	WASHER, LOCK .....	2	

Property of [www.SmallEngineDiscount.com](http://www.SmallEngineDiscount.com) - Not for Resale

# SKI



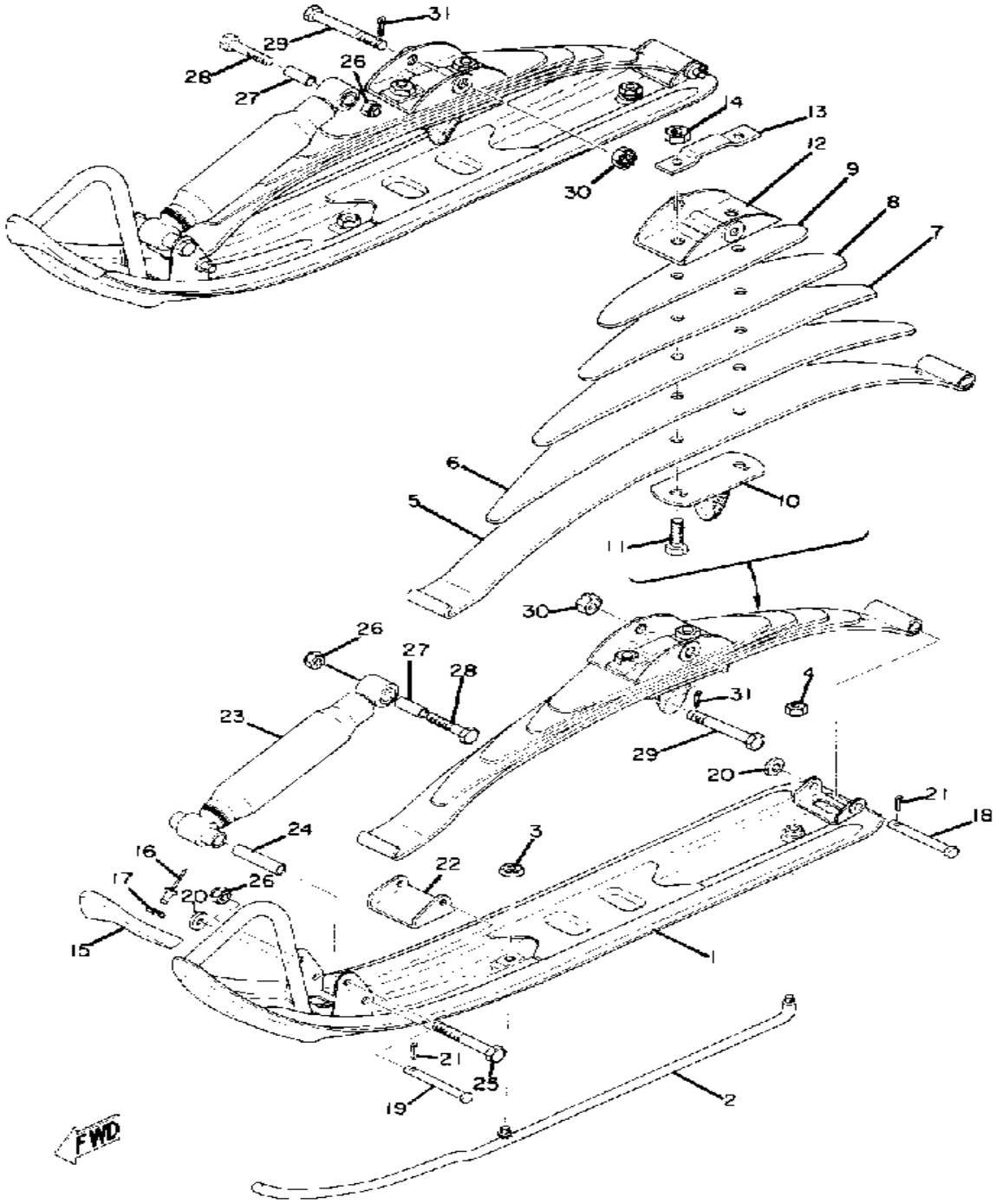
Ref. No.	Part Number	Description	Qty	Remarks
1	864-23710-02-00	SKI 1	2	
2	853-23731-00-XX	SKI RUNNER, (SV80)	2	
3	90185-08089-00	NUT, SELF-LOCKING	2	
4	90185-08055-00	NUT, SELF-LOCKING	2	
5	(865-23761-00-00)	LEAF 1	2	
6	865-23762-00-00	. LEAF 2	2	
7	865-23763-00-00	. LEAF 3	2	
8	(865-23764-00-00)	LEAF 4	2	
9	865-23771-00-00	. LEAF 5	2	
10	878-23768-00-00	. SEAT, SPRING 1	2	
11	90101-10060-00	. BOLT	4	
12	806-23766-00-00	. SADDLE 1	2	
13	(90209-10037-00)	WASHER, SPEC'L SHAP	2	
14	95336-10600-00	. NUT	4	
15	867-23747-00-00	PROTECTOR, SKI	2	
16	90267-40029-00	RIVET, BLIND	4	
17	90201-04023-00	WASHER, PLATE	4	
18	90240-08018-00	PIN, CLEVIS	2	
19	90240-08019-00	PIN, CLEVIS	2	
20	92906-08200-00	WASHER	4	
21	91401-30020-00	PIN, COTTER	4	
22	853-23735-00-00	PLATE, WEAR 1	2	
23	8F7-23350-00-00	SHOCK ABSORBER ASSEMBLY	2	
24	90387-08224-00	COLLAR	2	
25	97306-08070-00	BOLT, HEXAGON (ISO) (97206-08070)	2	
26	90185-08089-00	NUT, SELF-LOCKING	4	
27	90387-08223-00	COLLAR	2	

CONTINUED ON NEXT FRAME ►

Property of [www.SmallEngineDiscount.com](http://www.SmallEngineDiscount.com) - Not for Resale



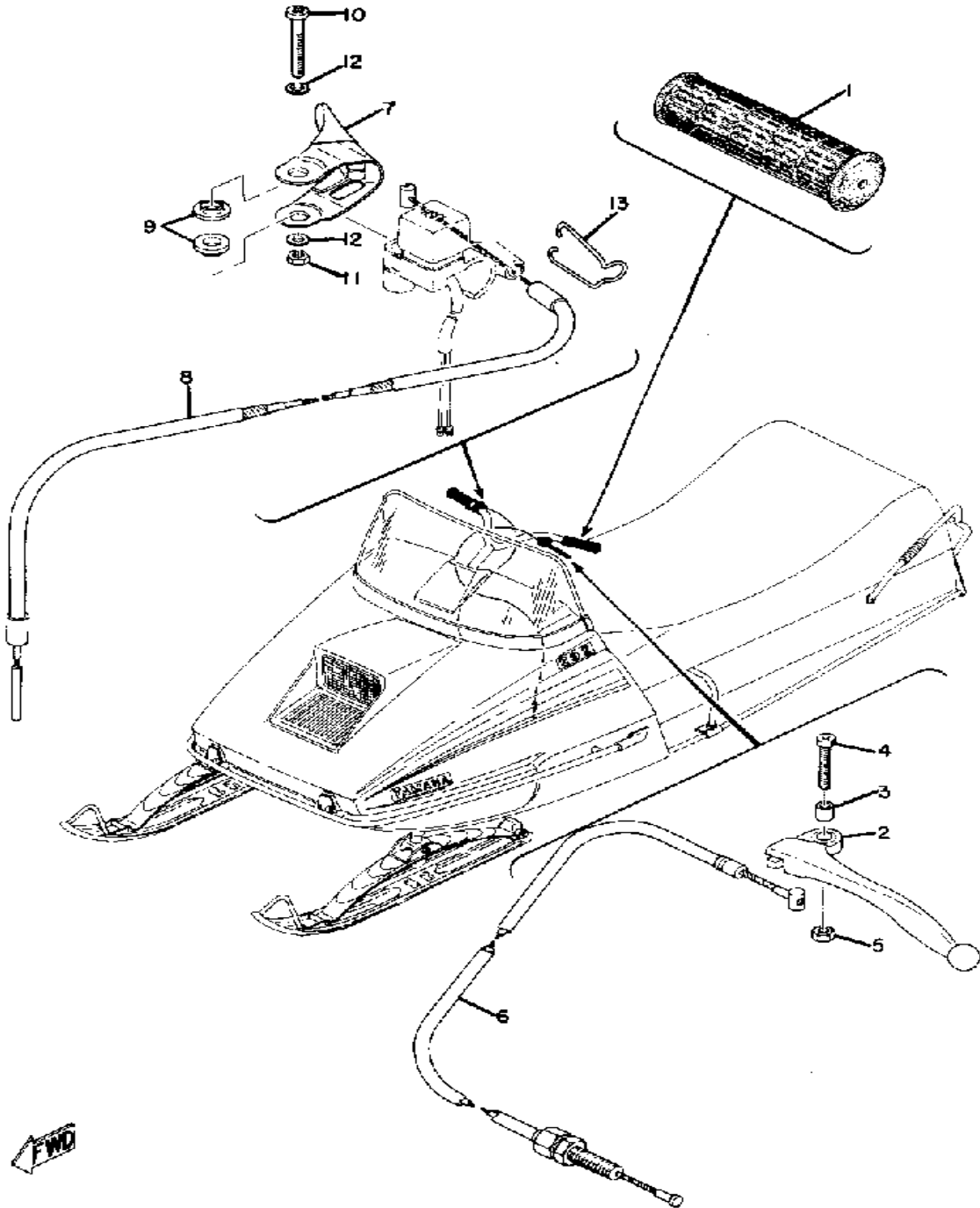
# SKI



Ref. No.	Part Number	Description	Qty	Remarks
28	97026-08045-00	BOLT, HEXAGON .....	2	
29	90102-10023-00	BOLT, WITH HOLE .....	2	
30	95306-10900-00	NUT, SLOTTED .....	2	
31	91490-20025-00	PIN, SPLIT .....	2	
-1	(864-23760-00-00)	SPRING ASSEMBLY 1 .....	1	
-2	(864-23770-00-00)	SPRING ASSEMBLY 2 .....	1	

Property of [www.SmallEngineDiscount.com](http://www.SmallEngineDiscount.com) - Not for Resale

# GRIP - WIRING

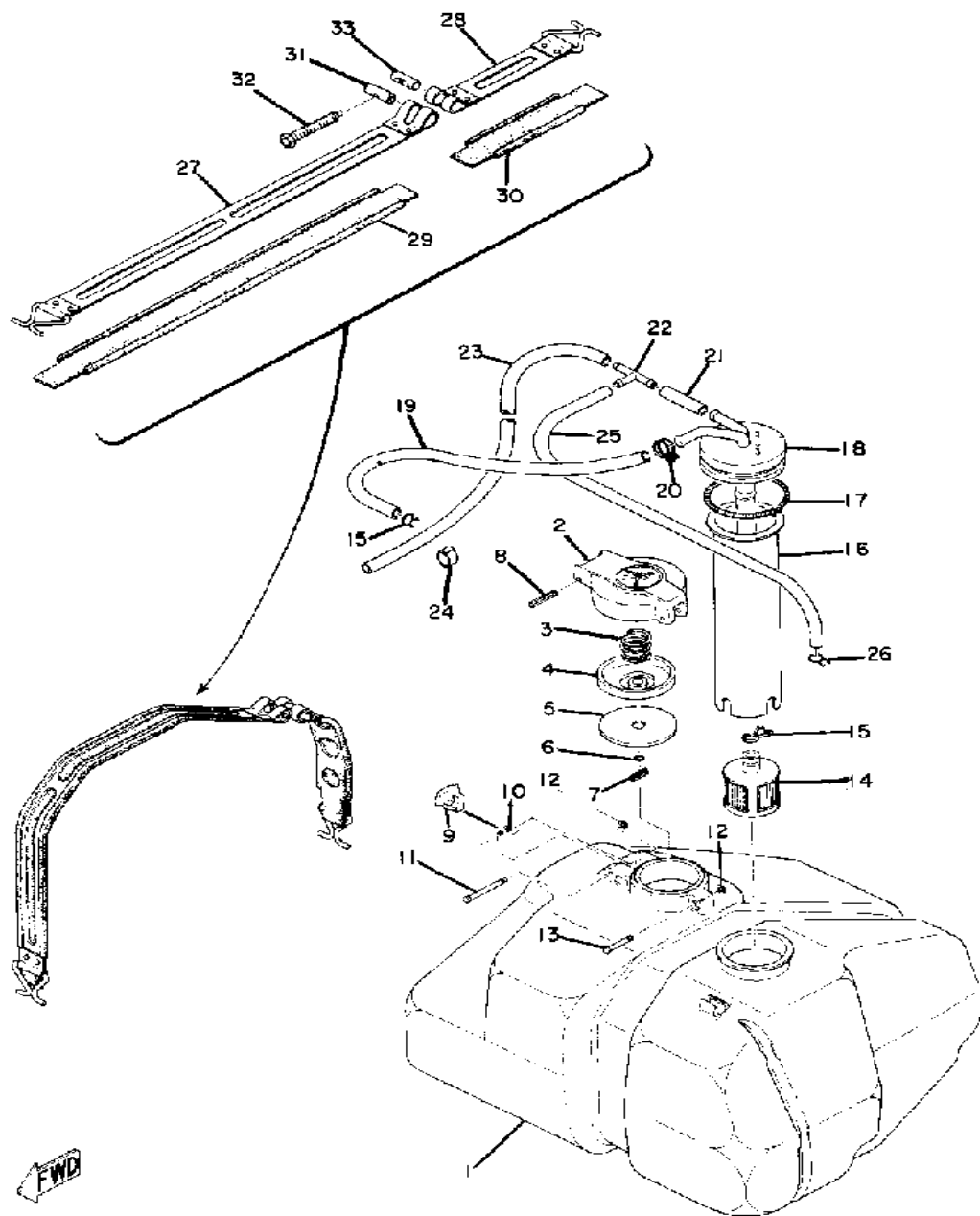


Ref. No.	Part Number	Description	Qty	Remarks
1	801-26241-01-00	GRIP .....	2	
2	802-83912-00-38	UNAVAILABLE IN PRICE BOOK	1	
3	802-83913-00-00	COLLAR, LEVER 1 .....	1	
4	90157-05006-00	SCREW, PAN HEAD (803-83915-00) .....	1	
5	95311-05700-00	NUT .....	1	
6	861-26340-02-00	CABLE, BRAKE .....	1	
7	99999-01028-00	THROTTLE LEVER .....	1	
8	863-26311-03-00	CABLE THROTTLE 1 .....	1	
9	90387-062M9-00	COLLAR .....	2	
10	90157-06004-00	SCREW, PAN HEAD (810-83925-00) .....	1	
11	95380-06700-00	NUT .....	1	
12	92990-06200-00	WASHER .....	2	
13	90468-10017-00	CLIP (821-26391-00) .....	1	

Property of [www.SmallEngineDiscount.com](http://www.SmallEngineDiscount.com) - Not for Resale

C10

# FUEL TANK



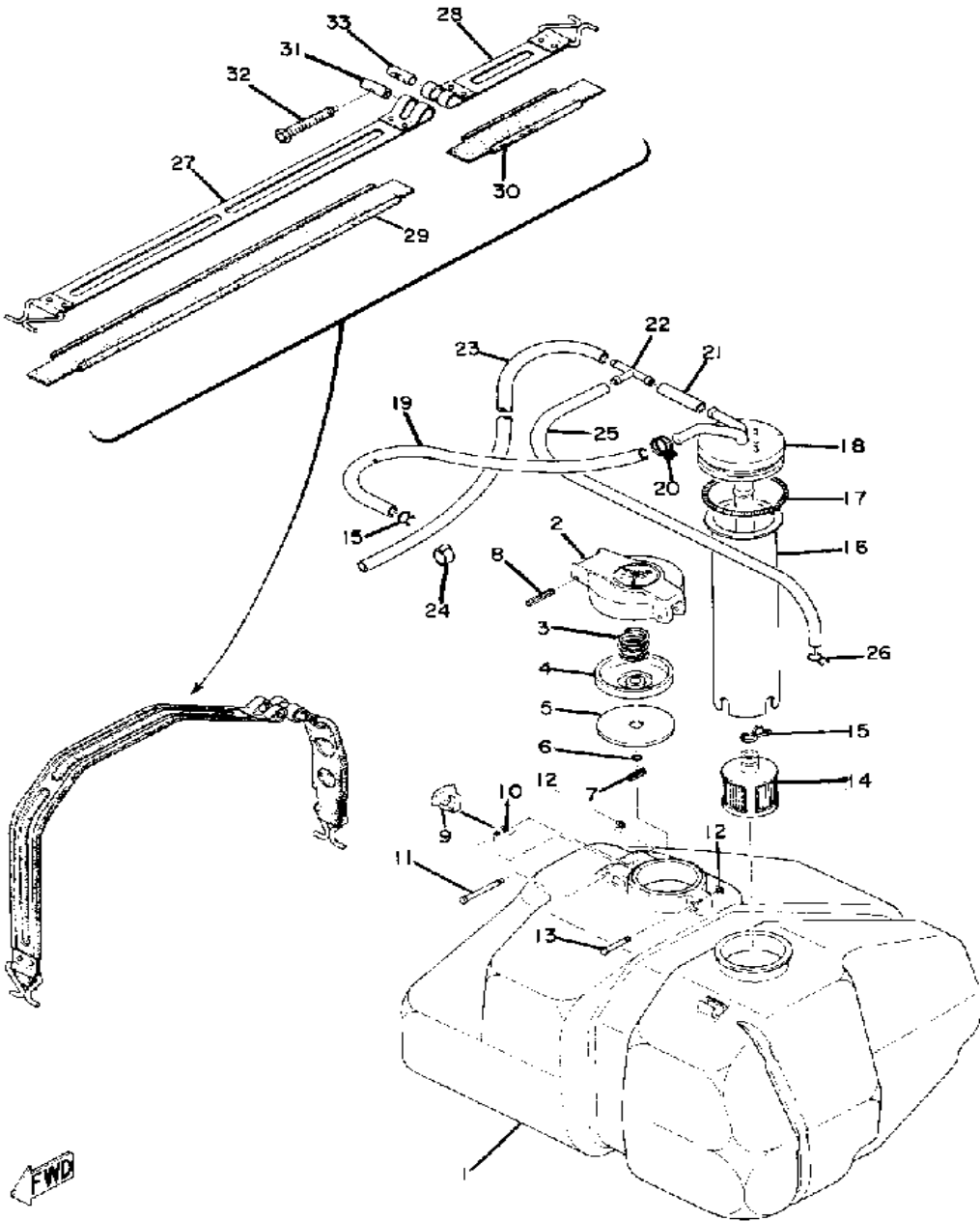
Ref. No.	Part Number	Description	Qty	Remarks
1	(897-24111-00-00)	FUEL TANK .....	1	
2	813-24611-01-00	BODY, CAP .....	1	
3	90501-20130-00	SPRING, COMPRESSION .....	1	
4	813-24613-01-00	DISC, CAP .....	1	
5	256-24612-00-00	GASKET, CAP .....	1	
6	93210-04122-00	O-RING .....	1	
7	91609-30016-00	PIN, SPRING .....	1	
8	91609-25032-00	PIN, SPRING .....	1	
9	83M-24628-00-00	HOOK .....	1	
10	90508-08003-00	SPRING, TORSION (813-24637-00) .....	1	
11	90249-03017-00	PIN .....	1	
12	93430-02001-00	CIRCLIP .....	2	
13	90249-03016-00	PIN, SPEC'L SHAPE .....	1	
14	8H5-24560-00-00	FILTER ASSEMBLY .....	1	
15	90467-11009-00	CLIP .....	2	
16	(829-24336-00-00)	PIPE, SUCTION 2 .....	1	
17	90506-06065-00	SPRING, TENSION .....	1	
18	853-24335-00-00	PIPE, SUCTION 1 .....	1	
19	(90446-11026-00)	HOSE .....	1	
20	90460-11002-00	CLAMP, HOSE .....	1	
21	90446-09052-00	HOSE .....	1	
22	867-24461-00-00	PIPE, JOINT .....	1	
23	(90446-09054-00)	HOSE .....	1	
24	90468-15020-00	CLIP .....	2	
25	90446-09052-00	HOSE .....	1	
26	90460-09001-00	CLAMP, HOSE .....	1	
27	853-24173-00-00	BAND, TNK FITTING 1 .....	1	
28	853-24199-00-00	BAND, TNK FITTING 2 .....	1	

FUEL TANK (QTY) (TYPE) (MIN. OCTANE) | 4 gal. Premium

CONTINUED ON NEXT FRAME ►

Property of [www.SmallEngineDiscount.com](http://www.SmallEngineDiscount.com) - Not for Resale

# FUEL TANK



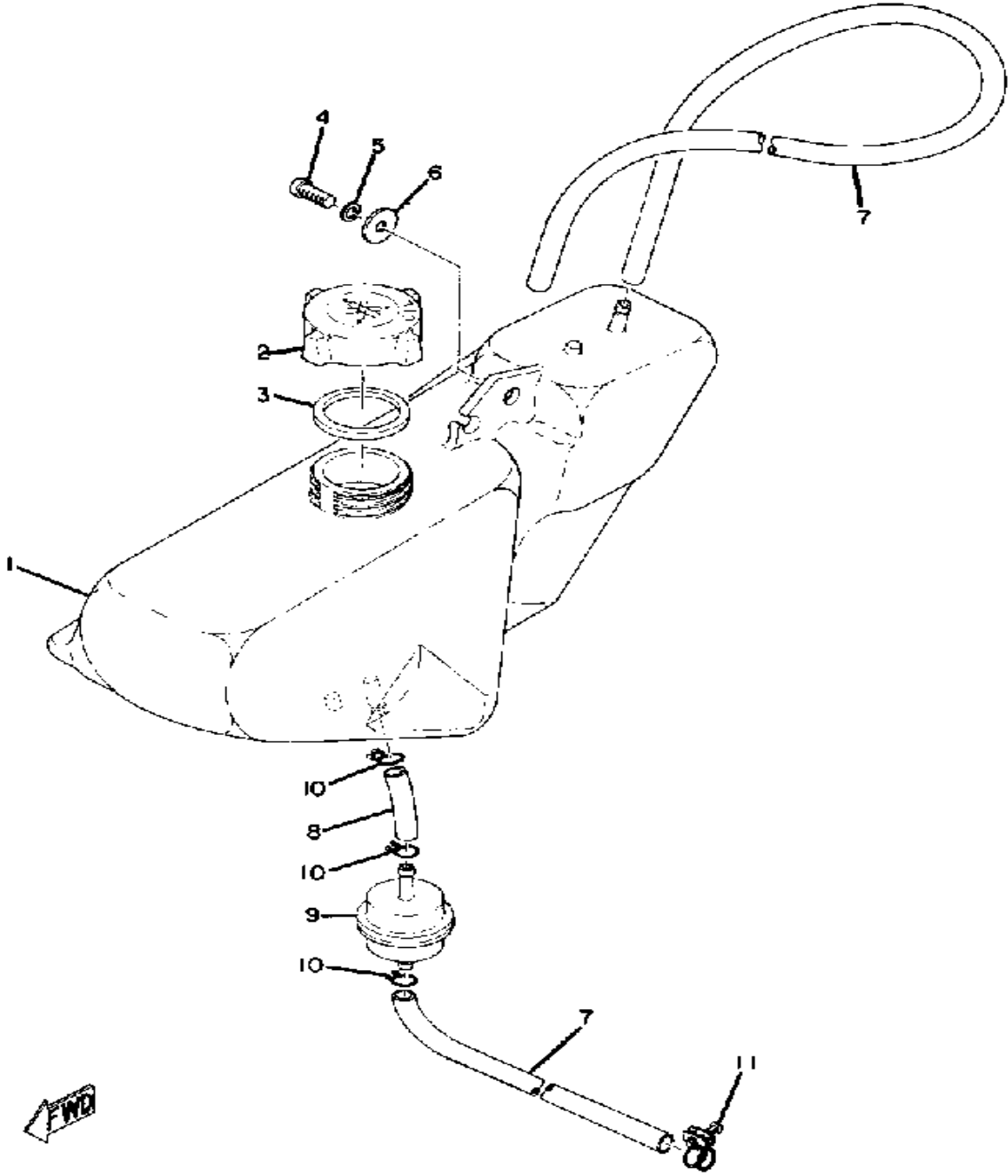
Ref. No.	Part Number	Description	Qty	Remarks
29	(853-24183-00-00)	DAMPER, LOCATING 3	1	
30	(853-24184-00-00)	DAMPER, LOCATING 4	1	
31	806-24135-00-00	CLAMP 1	1	
32	90149-05006-00	SCREW, SPEC'L SHAPE (821-24176-00)	1	
33	90179-05030-00	NUT, SPEC'L SHAPE (806-24146-00)	1	

FUEL TANK (QTY) (TYPE) (MIN. OCTANE) | 4 gal. Premium

Property of [www.SmallEngineDiscount.com](http://www.SmallEngineDiscount.com) - Not for Resale

C12

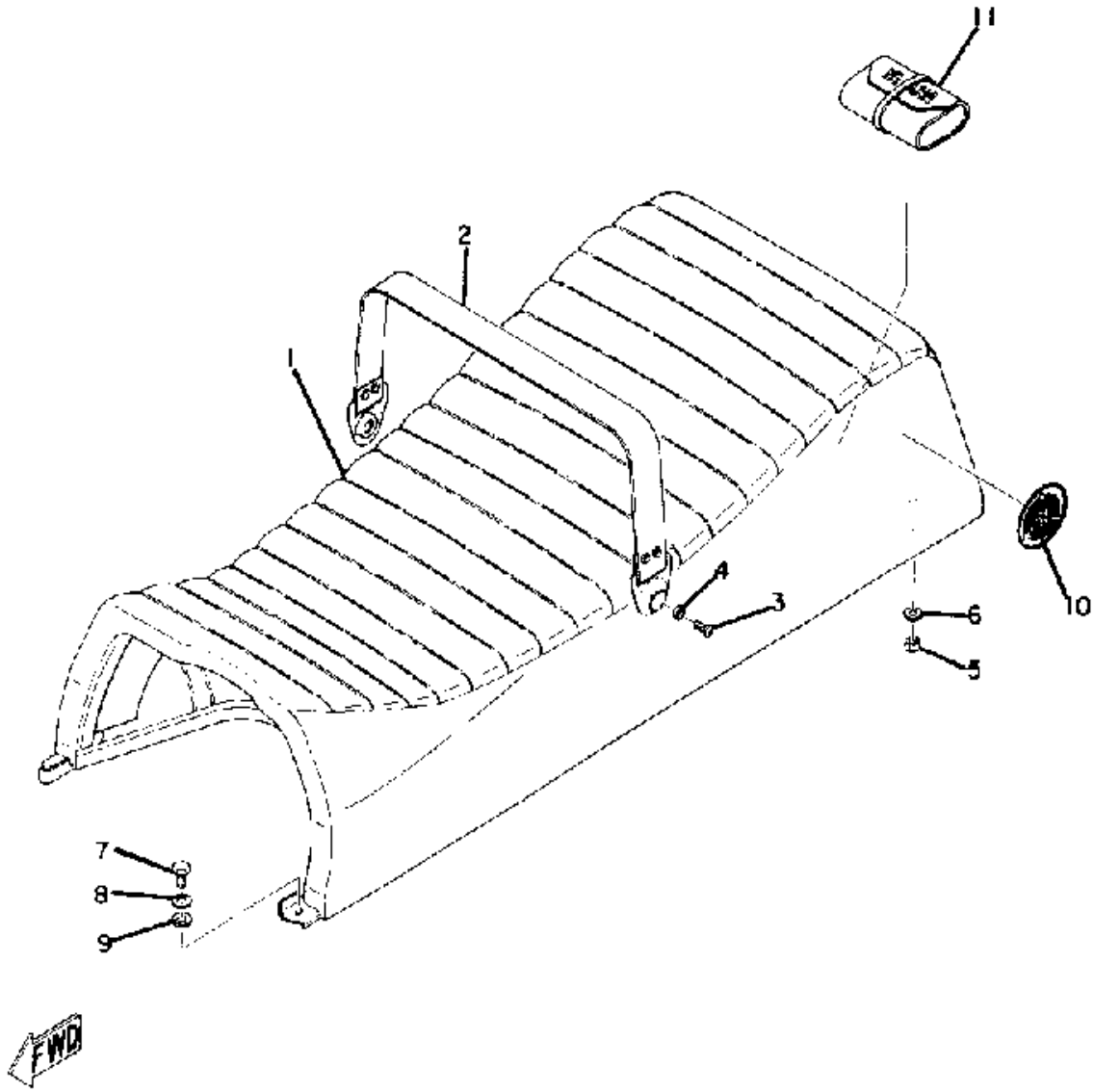
# OIL TANK



Ref. No.	Part Number	Description	Qty	Remarks
1	867-21751-00-00	TANK, OIL .....	1	
2	863-21771-00-00	BODY, CAP .....	1	
3	90430-31003-00	GASKET .....	1	
4	98580-05016-00	SCREW, PAN HEAD .....	1	
5	92990-05100-00	WASHER, SPRING .....	1	
6	90201-05036-00	WASHER, PLATE .....	1	
7	90446-09051-00	HOSE (806-24319-00) .....	2	
8	90446-09052-00	HOSE .....	1	
9	J10-13410-00-00	STRAINER HSNB ASSEMBLY .	1	
10	90467-09005-00	CLIP, SCISSOR .....	3	
11	90460-09001-00	CLAMP, HOSE .....	1	

Property of [www.SmallEngineDiscount.com](http://www.SmallEngineDiscount.com) - Not for Resale

# SEAT



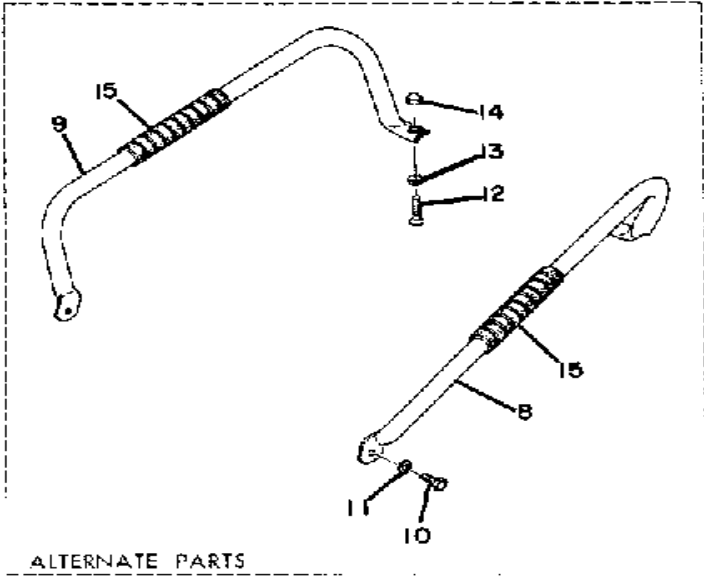
Ref. No.	Part Number	Description	Qty	Remarks
1	(898-24730-00-00)	DOUBLE SEAT ASSEMBLY ...	1	SEE NOTE
2	867-24734-00-00	BAND, SEAT .....	1	
3	98903-08012-00	SCREW, BIND .....	2	
4	700-48183-10-00	COLLAR 3 .....	2	
5	90185-08089-00	NUT, SELF-LOCKING .....	2	
6	92906-08200-00	WASHER .....	2	
7	97026-06012-00	BOLT .....	2	
8	92906-06100-00	WASHER, SPRING .....	2	
9	90201-06059-00	WASHER, PLATE .....	2	
10	821-77352-00-00	EMBLEM 2 .....	2	
11	(821-28100-10-00)	TOOL KIT .....	1	
1-1	(867-24731-00-00)	COVER, DOUBLE SEAT .....	1	SEE NOTE

Property of [www.SmallEngineDiscount.com](http://www.SmallEngineDiscount.com) - Not for Resale

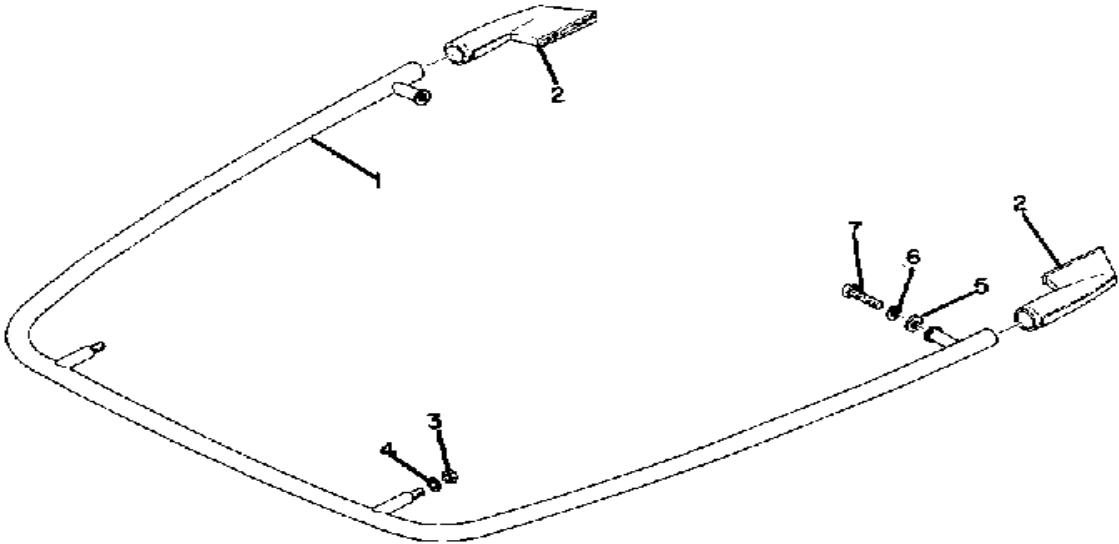
D2



# BUMPER



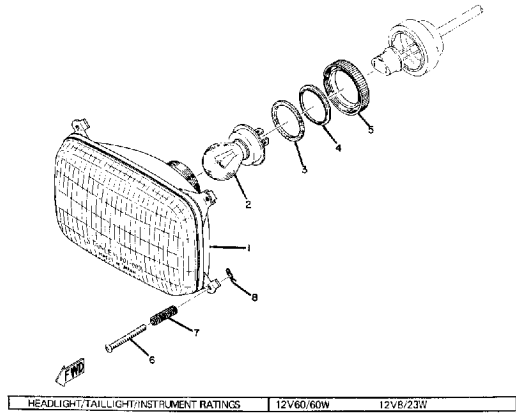
ALTERNATE PARTS



Ref. No.	Part Number	Description	Qty	Remarks
1	838-77575-00-00	COVER, ASSIST GRIP	2	
	853-77510-00-00	FRONT BUMPER	1	
2	838-77523-00-00	END, BUMPER	2	
3	95333-08600-00	NUT	2	
4	92990-08100-00	WASHER	2	
5	(90201-08456-00)	WASHER, PLATE	2	
6	92906-08100-00	WASHER, SPRING	2	
7	97306-08040-00	BOLT, HEXAGON	2	
8	(853-77571-00-00)	GRIP, ASSIST 1	1	
9	(853-77572-00-00)	GRIP, ASSIST 2	1	
10	97013-06012-00	BOLT	2	
11	92995-06100-00	WASHER, SPRING	2	
12	98780-06030-00	SCREW, FLAT HEAD	2	
13	92990-06500-00	WASHER	2	
14	95303-06800-00	NUT (CROWN)	2	

Property of [www.SmallEngineDiscount.com](http://www.SmallEngineDiscount.com) - Not for Resale

D3



HEADLIGHT/TAILLIGHT/INSTRUMENT RATINGS | 12V/8/60W | 12V/8/23W

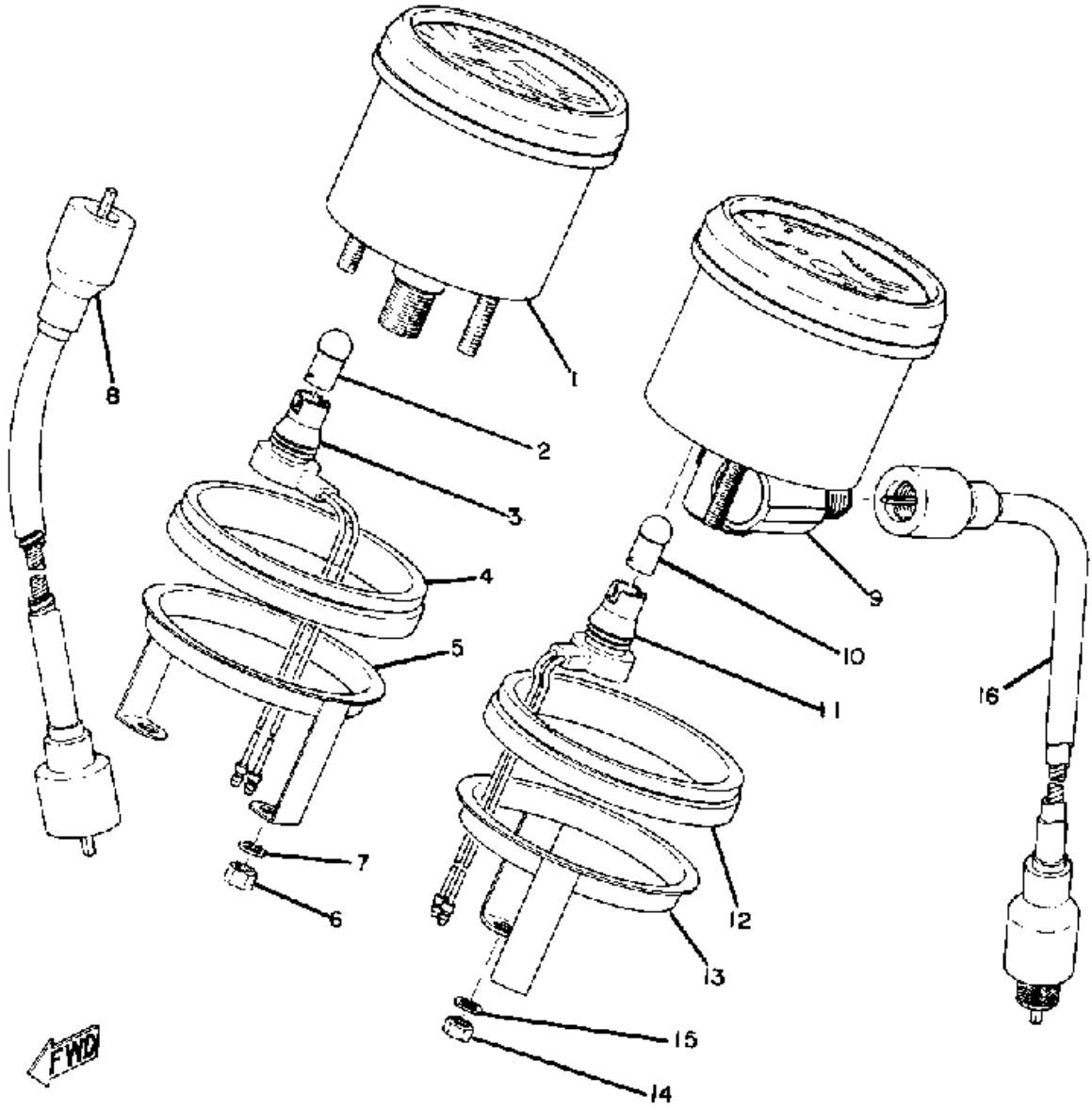
# HEAD LAMP

Ref. No.	Part Number	Description	Qty	Remarks
1	(838-84320-01-00)	LENS ASSEMBLY .....	1	
2	838-84314-00-00	. BULB, HEADLIGHT .....	1	
3	838-84327-00-00	WASHER, SPECIAL .....	1	
4	838-84328-00-00	. SPACER .....	1	
5	838-84317-00-00	. NUT .....	1	
6	(853-84331-00-00)	SCREW, RIM ADJUSTING ....	4	
7	(853-84332-00-00)	SPRING, SCREW .....	4	
8	(807-84351-00-00)	CLAMP, CORD .....	4	
-1	(853-84310-00-00)	HEADLIGHT UNIT ASSEMBLY .	1	

Property of [www.SmallEngineDiscount.com](http://www.SmallEngineDiscount.com) - Not for Resale

D4

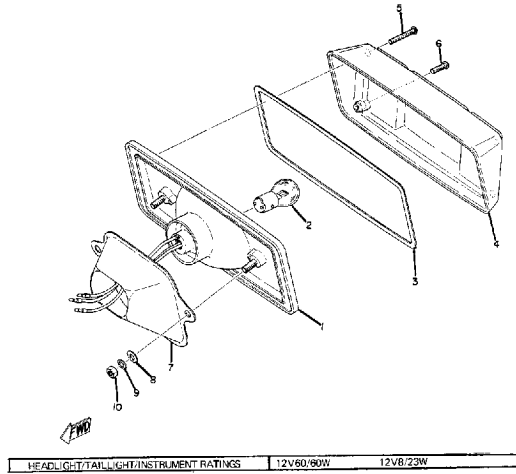
# SPEEDOMETER - TACHOMETER



Ref. No.	Part Number	Description	Qty	Remarks
1	(863-83510-41-00)	SPEEDOMETER ASSEMBLY ..	1	
2	123-83516-21-00	. BULB (12V-3.4W) .....	1	
3	(861-83536-40-00)	SOCKET, METER .....	1	
4	861-83523-40-00	DAMPER .....	1	
5	863-83514-40-00	PLATE, FITTING .....	1	
6	95380-05600-00	NUT .....	2	
7	92990-05100-00	WASHER, SPRING .....	2	
8	839-83550-01-00	SPEEDOMETER CABLE .....	1	
9	(ACC-01200-42-74)	TACHOMETER KIT .....	1	
10	123-83516-21-00	. BULB (12V-3.4W) .....	1	
11	(861-83536-40-00)	SOCKET, METER .....	1	
12	861-83523-40-00	DAMPER .....	1	
13	861-83514-40-00	PLATE, FITTING .....	1	
14	95380-05600-00	NUT .....	2	
15	92990-05100-00	WASHER, SPRING .....	2	
16	839-83560-00-00	TACHOMETER CABLE .....	1	

Property of [www.SmallEngineDiscount.com](http://www.SmallEngineDiscount.com) - Not for Resale

# TAIL LAMP

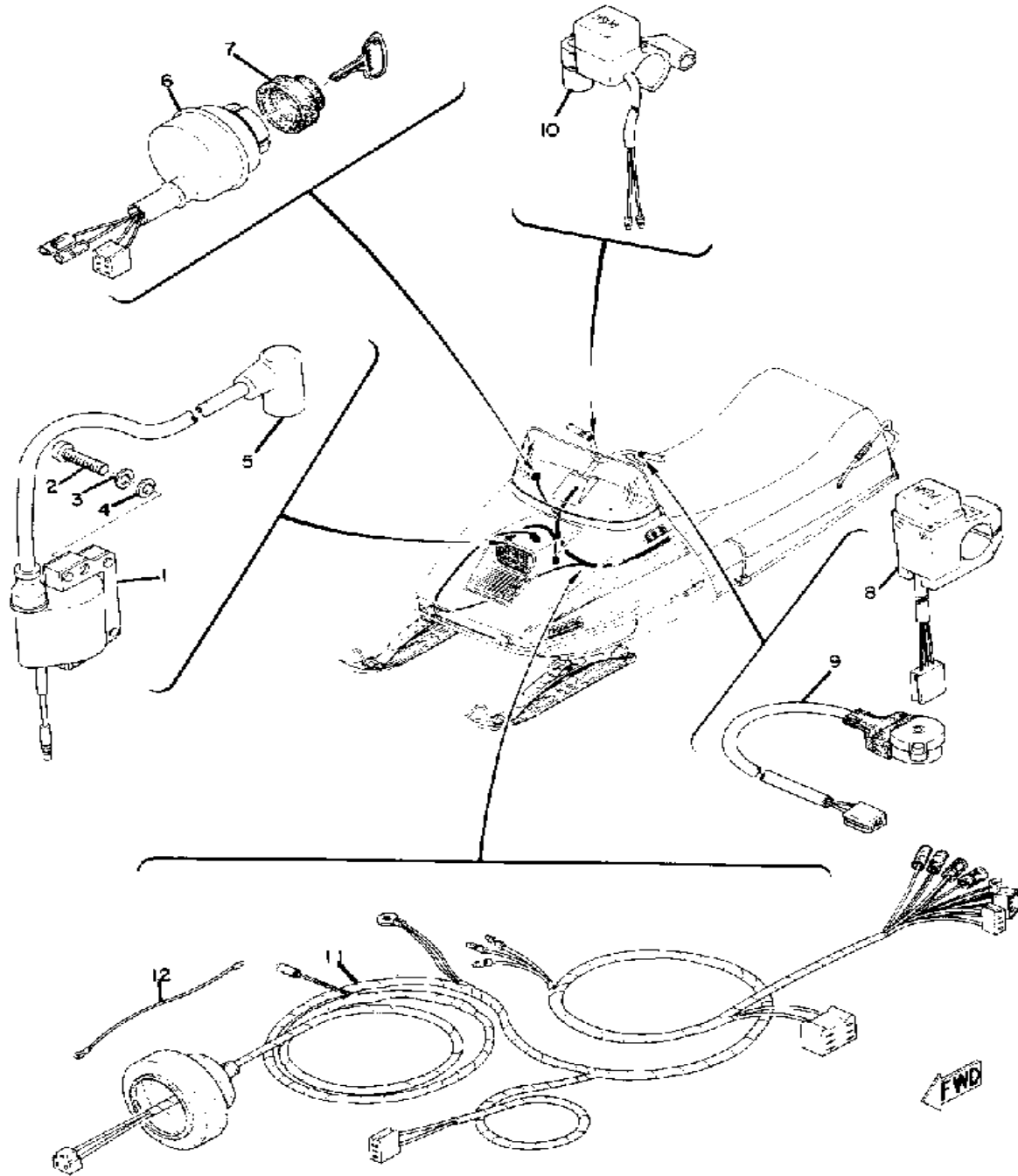


Ref. No.	Part Number	Description	Qty	Remarks
1	853-84710-00-00	. TAILLIGHT UNIT ASSEMBLY .	1	
2	137-84714-61-00	. BULB, TL 12V23/8W (J50-83311-00) .....	1	
3	821-84712-00-00	. SEAT, BASE .....	1	
4	821-84721-00-00	. LENS, TAILLIGHT .....	1	
5	98511-04030-00	. SCREW, PAN HEAD .....	2	
6	98503-04014-00	. SCREW, PAN HEAD .....	2	
7	(853-24796-00-00)	COVER .....	1	
8	92990-06200-00	WASHER .....	2	
9	92995-06100-00	WASHER, SPRING .....	2	
10	95380-06600-00	NUT .....	2	
-1	853-84710-00-00	TAILLIGHT UNIT ASSEMBLY ..	1	

Property of [www.SmallEngineDiscount.com](http://www.SmallEngineDiscount.com) - Not for Resale

D6

# ELECTRICAL



Ref. No.	Part Number	Description	Qty	Remarks
1	860-82310-40-00	IGNITION COIL ASSEMBLY ...	1	
2	98506-06025-00	SCREW, PAN HEAD .....	2	
3	92906-06100-00	WASHER, SPRING .....	2	
4	92906-06200-00	WASHER .....	1	
5	663-82370-01-00	PLUG CAP ASSEMBLY .....	1	
6	898-82508-20-00	MAIN SWITCH ASSEMBLY ...	1	
7	806-82516-00-00	COLLAR, MAIN SWITCH .....	1	
8	861-83950-01-00	BEAM SWITCH ASSEMBLY ...	1	
9	822-82530-00-00	STOP SWITCH ASSEMBLY ...	1	
10	883-83976-02-00	UNAVAILABLE IN PRICE BOOK (861-83976-02) .....	1	
11	867-82590-20-00	WIRE HARNESS ASSEMBLY ..	1	
12	(838-82519-00-00)	WIRE, EARTH LEAD .....	1	

Property of [www.SmallEngineDiscount.com](http://www.SmallEngineDiscount.com) - Not for Resale