

YAMAHA

GENUINE

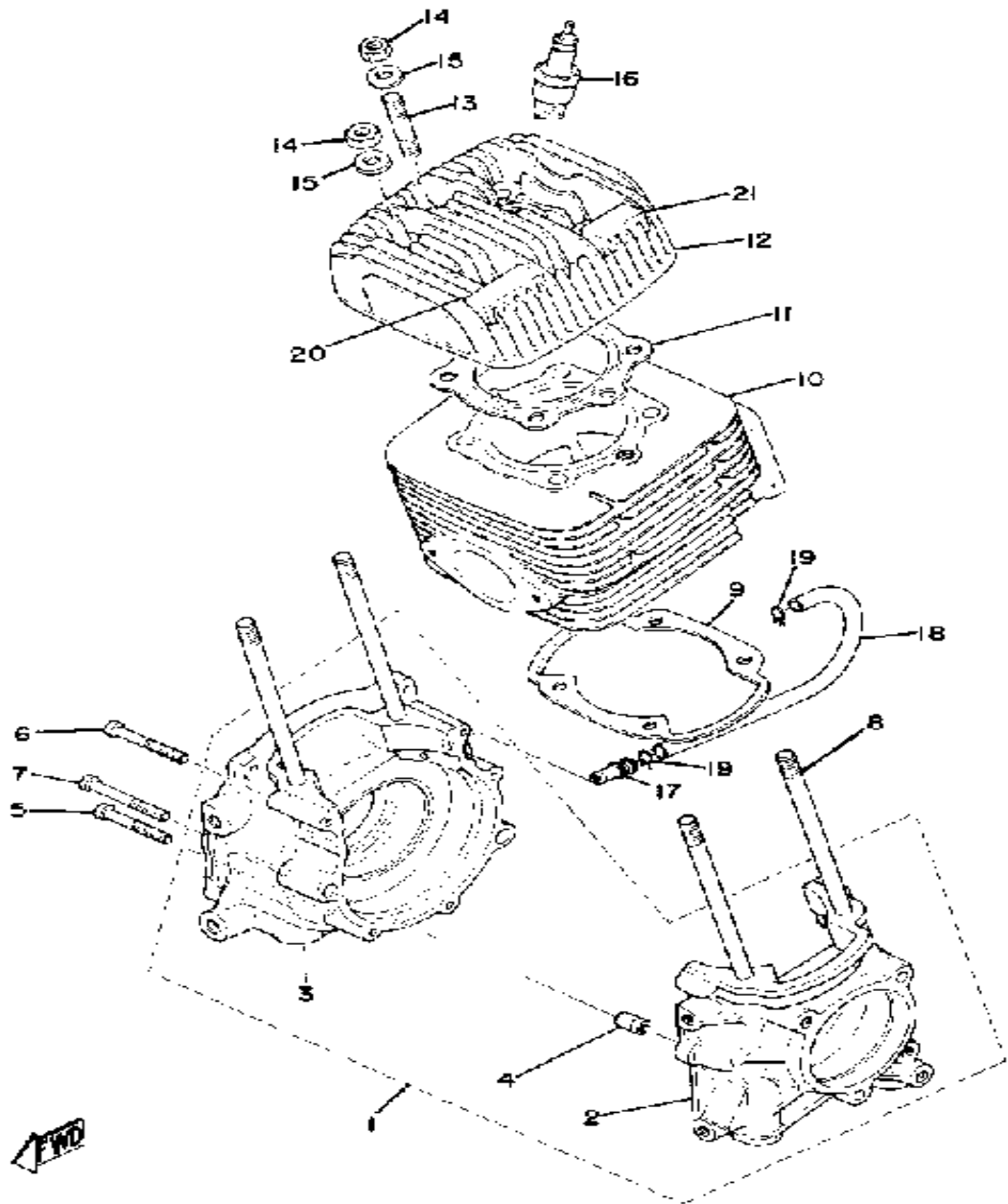
PARTS CATALOGUE

SNOWMOBILE

Property of www.SmallEngineDiscount.com - Not for Resale

A1

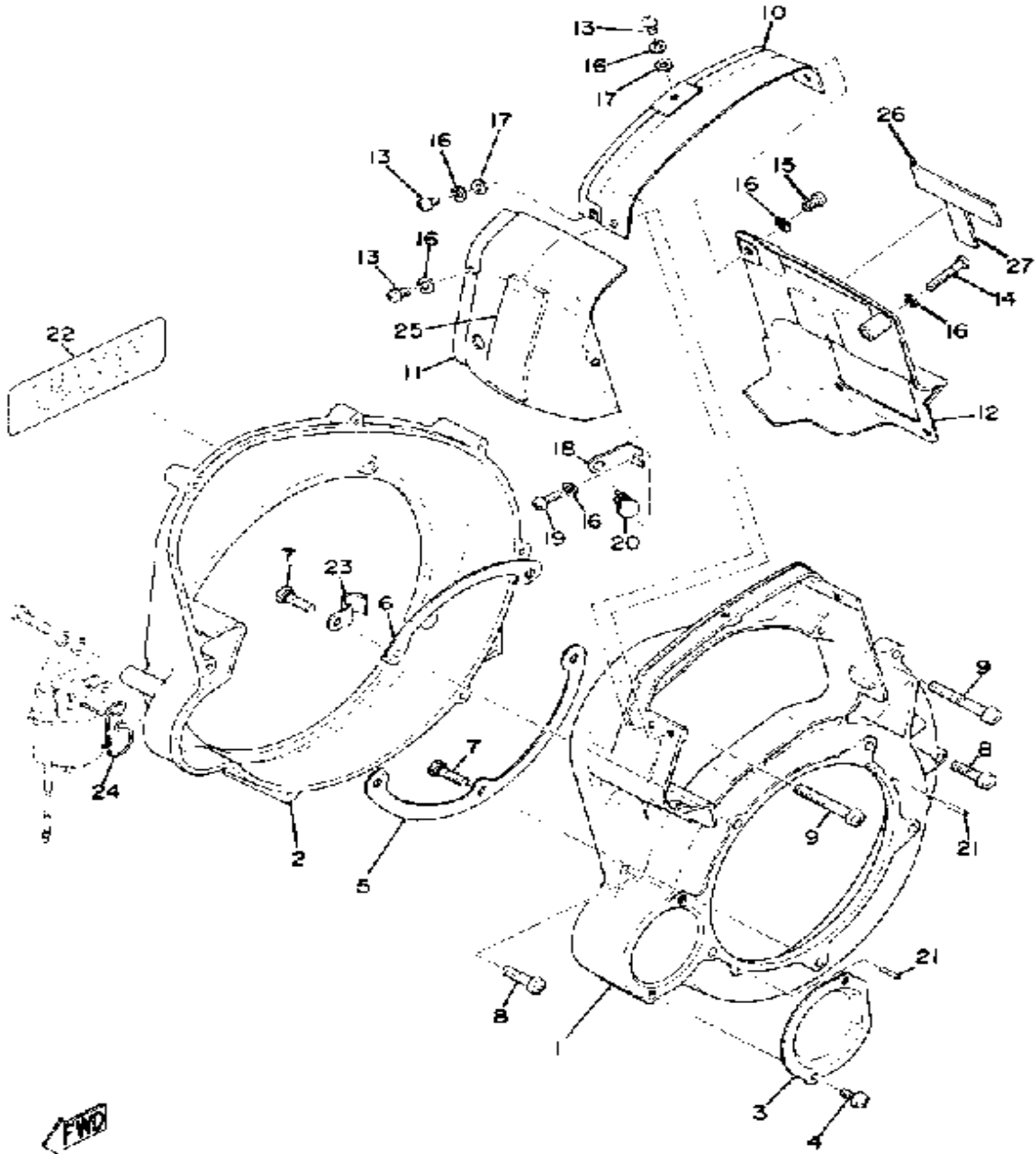
CRANKCASE-CYLINDER



Ref. No.	Part Number	Description	Qty	Remarks
1	839-15100-00-00	CRANKCASE ASSEMBLY	1	
4	99530-10014-00	. PIN, DOWEL	2	
5	98580-06545-00	SCREW PAN HEAD (92503-06045)	3	
6	98580-06550-00	SCREW PAN HEAD (92503-06050)	2	
7	98580-06055-00	SCREW, pan head (92501-06065-00)	2	
8	(90116-08083-00)	BOLT, STUD	4	
9	812-11351-00-00	GASKET, CYLINDER	1	
10	(864-11311-00-00)	CYLINDER 1	1	
11	812-11181-00-00	GASKET, CYLINDER HEAD 1	1	
12	(845-11111-00-00)	HEAD, CYLINDER 1	1	
13	90116-08057-00	BOLT, STUD	2	
14	812-11171-00-00	NUT, HOLDING (812-11171-00)	6	
15	90201-08100-00	WASHER, PLATE	6	
16	NGK-BR8EV-00-00	NGK BR8EV 4PK	1	S5-018
17	J38-11116-00-00	JOINT, BREATHER	1	
18	90445-10132-00	HOSE (6-120) (813-24316-00)	1	
19	90467-09006-00	CLIP	2	
20	(899-11161-00-00)	ABSORBER 1	1	
21	(899-11162-00-00)	ABSORBER 2	1	

Property of www.SmallEngineDiscount.com - Not for Resale

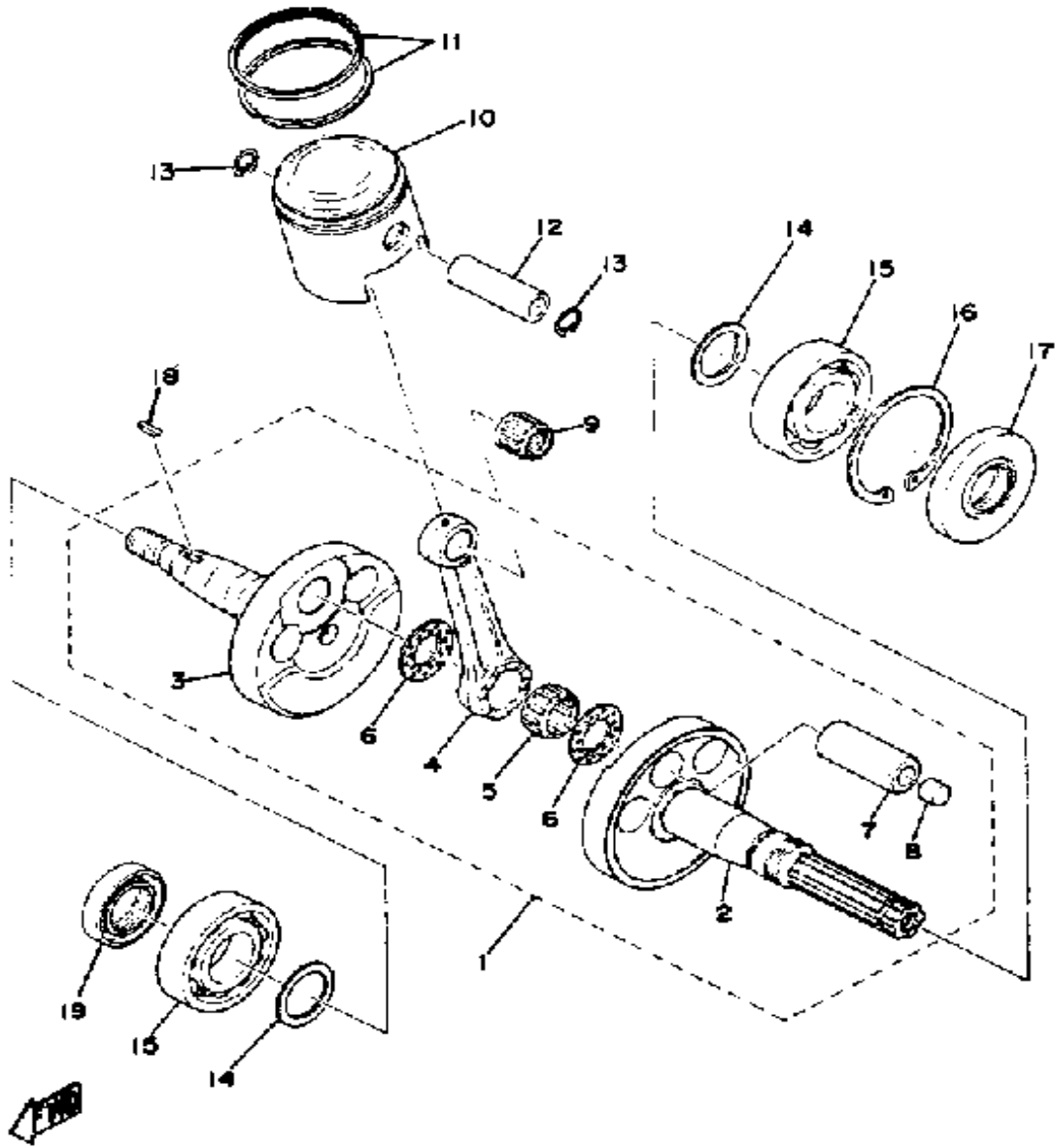
FAN CASE-AIR SHROUD



Ref. No.	Part Number	Description	Qty	Remarks
1	839-12621-00-00	CASE, FAN	1	
2	867-12622-00-00	CASE, FAN 2	1	
3	(812-12633-00-00)	PLATE	1	
4	98580-05010-00	SCREW, PAN HEAD	2	
5	(812-12624-00-00)	WASHER, LOCK 1	1	
6	(812-12625-00-00)	WASHER, LOCK 2	1	
7	(90105-06001-00)	BOLT, WASHER BASED	5	
8	98506-06025-00	SCREW, PAN HEAD	5	
9	98506-06050-00	SCREW, PAN HEAD	2	
10	(839-12651-00-00)	AIR SHROUD, CYLINDER 1	1	
11	(822-12652-00-00)	AIR SHROUD, CYLINDER 2	1	
12	(864-12653-00-00)	AIR SHROUD, CYLINDER 3	1	
13	98906-05012-00	SCREW, BIND	4	
14	(98906-05030-00)	SCREW, BIND	1	
15	98906-05012-00	SCREW, BIND	2	
16	92906-05100-00	WASHER, SPRING	8	
17	92906-05600-00	WASHER, PLATE	5	
18	(822-12655-00-00)	STAY, CLAMP 1	1	
19	98906-05012-00	SCREW, BIND	1	
20	(812-12658-00-00)	DAMPER, AIR SHRD 1	1	
21	93604-14012-00	PIN, DOWEL	2	
22	(838-12629-00-00)	EMBLEM	1	
23	(822-82361-00-00)	CLAMP, CORD	1	
24	(822-24369-01-00)	CLAMP, OIL PIPE	1	
25	(899-12658-00-00)	DAMPER, AIR SHRD 1	1	
26	(899-12659-00-00)	DAMPER, AIR SHRD 2	1	
27	(899-12668-00-00)	DAMPER, AIR SHRD 3	1	

Property of www.SmallEngineDiscount.com - Not for Resale

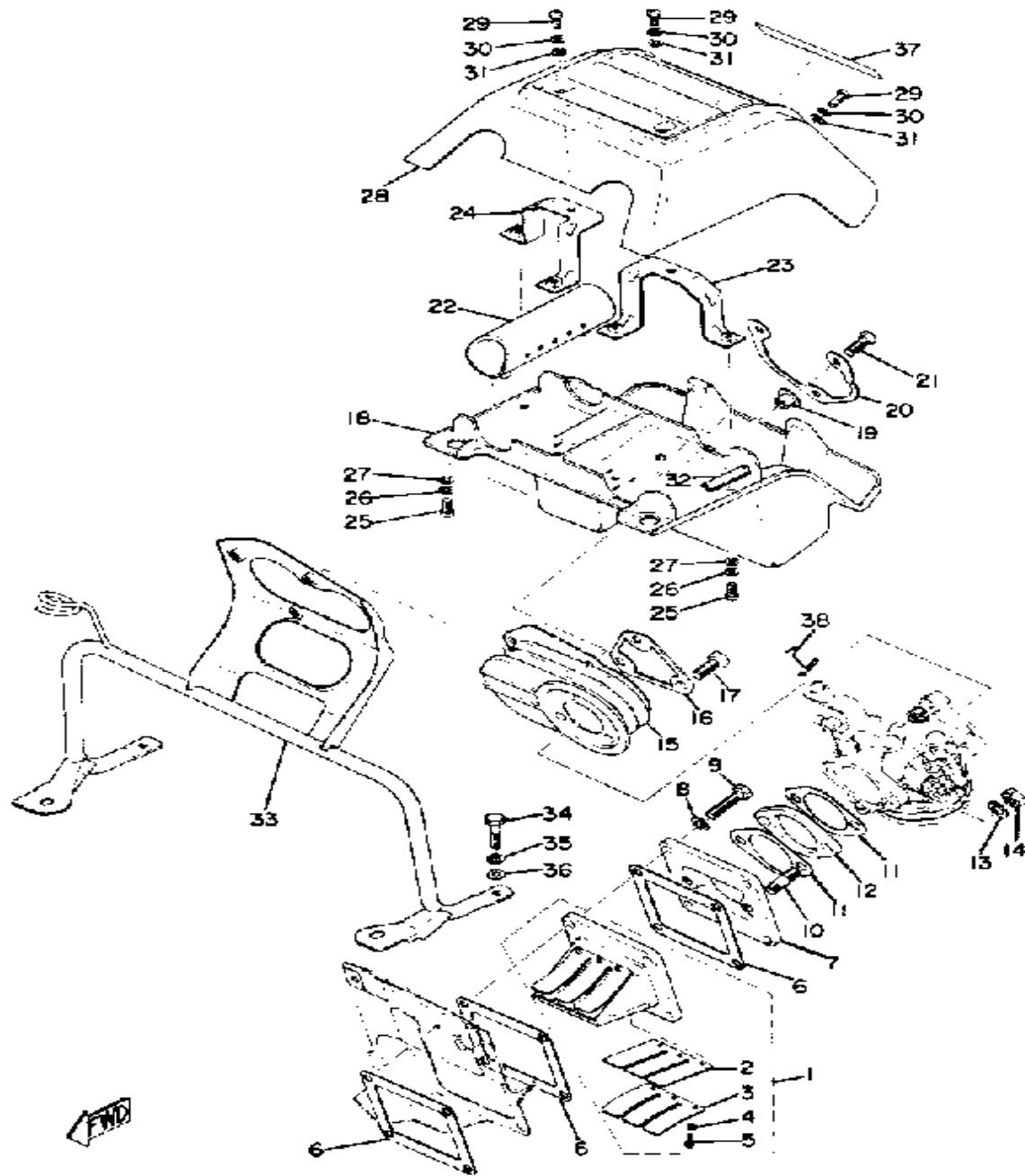
CRANK-PISTON



Ref. No.	Part Number	Description	Qty	Remarks
1	(860-11400-00-00)	CRANKSHAFT ASSEMBLY	1	
2	(860-11412-02-00)	CRANK 1	1	
3	(860-11422-00-00)	CRANK 2	1	
4	839-11651-00-00	. ROD, CONNECTING	1	
5	93310-42497-00	. BEARING, CYLINDER.# 0	1	
6	90209-24073-00	. WASHER	2	
7	(822-11681-00-00)	PIN, CRANK 1	1	
8	(822-11682-00-00)	BUSH, CRANK PIN	2	
9	93310-218A6-00	BEARING	1	
10	(864-11635-00-00)	PISTON 1 O/S 0.5	1	ALTERNATE PART
	(864-11636-00-00)	PISTON 2 O/S 0.0	1	ALTERNATE PART
	(864-11637-00-00)	PISTON 3 O/S 0.5	1	ALTERNATE PART
	(864-11638-00-00)	PISTON 4 O/S 1.0	1	ALTERNATE PART
	864-11631-00-96	PISTON STD	1	
11	(864-11610-10-00)	PISTON RINGSET 1ST	1	ALTERNATE PART
	(864-11610-30-00)	PISTON RINGSET 3RD	1	ALTERNATE PART
	(864-11610-40-00)	PISTON RINGSET 4TH	1	ALTERNATE PART
	864-11610-00-00	PISTON RINGSET STD	1	
	864-11610-20-00	PISTON RINGSET 2ND	1	ALTERNATE PART
12	818-11633-00-00	PIN, PISTON	1	
13	93450-20026-00	CIRCLIP	2	
14	(812-11561-00-03)	SHIM, CRANK 1	1	
15	93306-30605-00	BEARING	2	
16	(93420-72023-00)	CIRCLIP, R-TYPE	1	
17	93103-32060-00	OIL SEAL, SW-TYPE	1	
18	90280-16053-00	KEY, WOODRUFF	1	
19	93103-32061-00	OIL SEAL, SW-TYPE	1	

Property of www.SmallEngineDiscount.com - Not for Resale

INTAKE

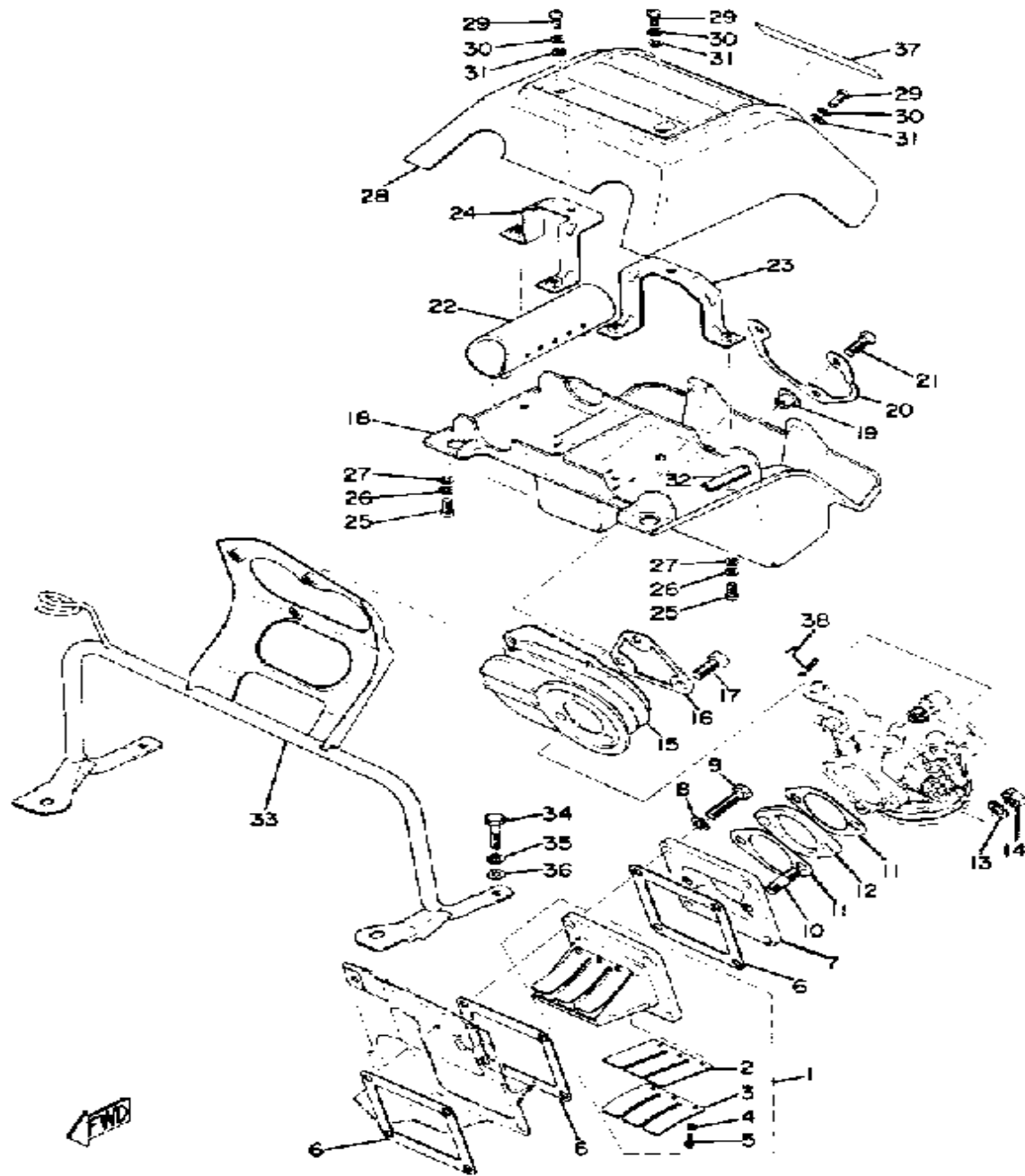


Ref. No.	Part Number	Description	Qty	Remarks
1	(363-13610-00-00)	REED VALVE ASSEMBLY	1	
2	363-13613-00-00	. REED, VALVE	2	
3	363-13616-00-00	. STOPPER, REED VALVE	2	
4	92990-03100-00	. WASHER, SPRING (92901-03100)	6	
5	98580-03008-00	. SCREW, PAN HEAD	6	
6	363-13621-00-00	GASKET, VALVE SEAT	3	
7	(864-13565-01-00)	JOINT, CARBURETOR	1	
8	92995-06100-00	WASHER, SPRING	4	
9	97313-06030-00	BOLT, HEXAGON	4	
10	(90116-08162-00)	BOLT, STUD	2	
11	881-13556-00-00	GASKET, MANIFOLD	2	
12	(864-13555-00-00)	MANIFOLD, INTAKE	1	
13	92903-09100-00	UNAVAILABLE IN PRICE BOOK	2	
14	95303-08700-00	NUT	2	
15	(899-14477-00-00)	PLATE	1	
16	8F3-14598-00-00	WASHER	1	
17	97013-06012-00	BOLT	3	
18	(865-14431-01-00)	SILENCER, INTAKE 1	1	
19	90387-06500-00	COLLAR	3	
20	(866-14475-01-00)	WASHER	1	
21	97013-06012-00	BOLT	3	
22	(865-14419-00-00)	PIPE	2	
23	96514-49801-00	UNAVAILABLE IN PRICE BOOK	1	
24	(866-14498-01-00)	STAY 1	1	
25	98580-05012-00	SCREW, PAN HEAD	4	
26	92990-05100-00	WASHER, SPRING	4	
27	92901-05600-00	WASHER, PLATE	4	
28	(865-14441-00-00)	SILENCER, INTAKE 2	1	

CONTINUED ON NEXT FRAME ►

Property of www.SmallEngineDiscount.com - Not for Resale

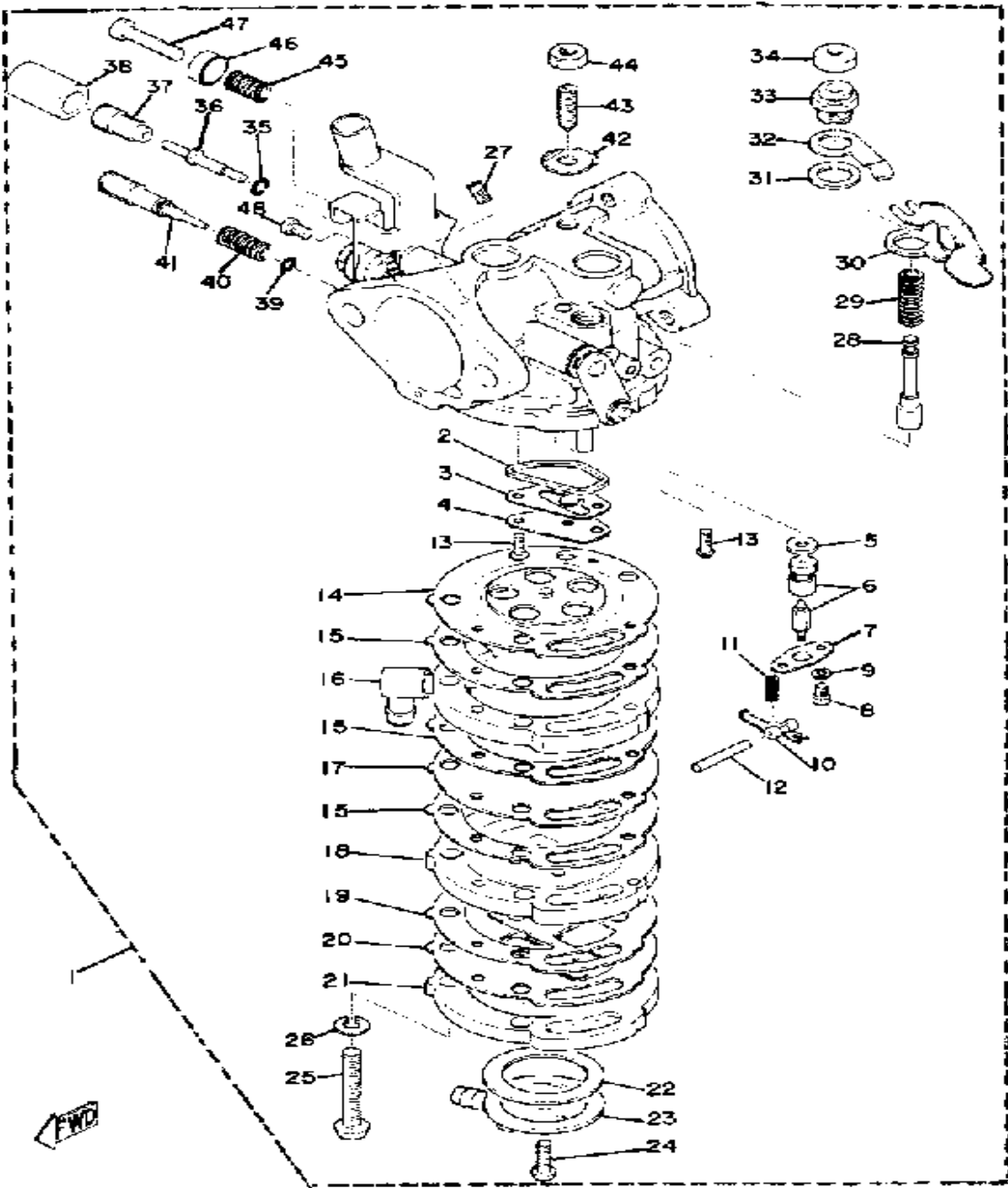
INTAKE



Ref. No.	Part Number	Description	Qty	Remarks
29	98906-05010-00	SCREW, BIND	4	
30	92906-05100-00	WASHER, SPRING	4	
31	92906-05200-00	WASHER, PLAIN	4	
33	(899-14493-00-00)	STAY 1	1	
34	97313-06016-00	BOLT, HEXAGON	2	
35	92995-06100-00	WASHER, SPRING	2	
36	92901-06600-00	WASHER	2	
37	(899-77351-00-00)	EMBLEM 1	1	
38	822-41222-00-00	CLAMP, THROTTLE	1	

Property of www.SmallEngineDiscount.com - Not for Resale

CARBURETOR

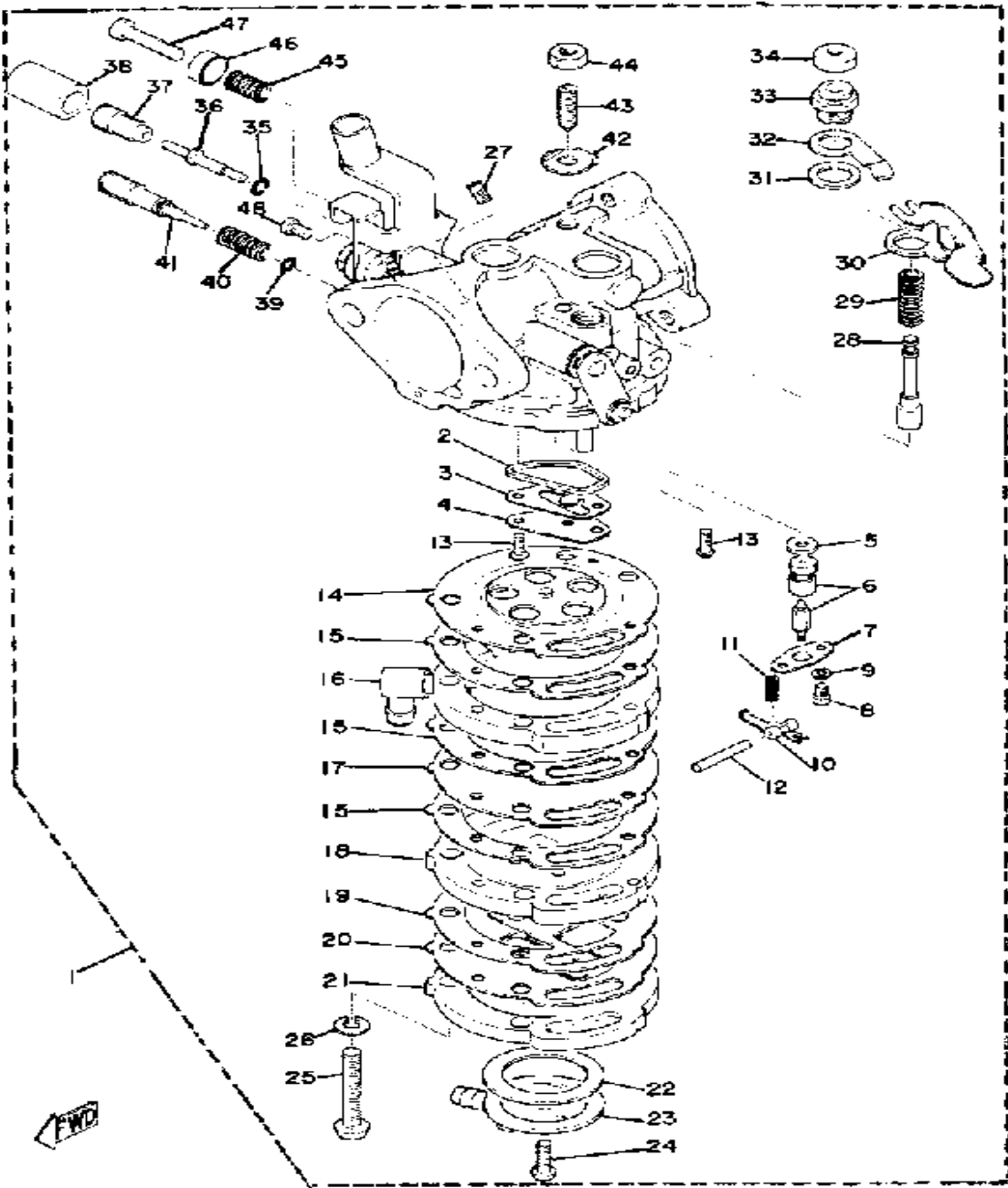


Ref. No.	Part Number	Description	Qty	Remarks
1	(899-14101-00-00)	CARBURETOR ASSEMBLY 1	1	
2	(878-24468-00-00)	GASKET	1	
3	(878-14272-00-00)	VALVE, CHECK SEAT	1	
4	(878-14946-00-00)	PLATE, NEEDLE FTNG	1	
5	(849-14195-00-00)	WASHER, NEEDLE VLV	1	
6	864-14190-15-00	. NEEDLE VALVE ASSEMBLY	1	
7	(849-14146-00-00)	PLATE	1	
8	98580-03008-00	. SCREW, PAN HEAD	2	
9	92990-03100-00	. WASHER, SPRING (92901-03100)	2	
10	(864-14387-00-00)	ARM, DIAPHRAGM	1	
11	(812-24423-00-00)	SPRING, DIAPHRAGM	1	
12	439-14186-00-00	. PIN, FLOAT	1	
13	98702-03008-00	. SCREW, FLAT HEAD	3	
14	849-24471-00-00	. DIAPHRGM	1	
15	849-24434-00-00	. GASKET, BODY	3	
16	(849-24412-00-00)	BODY 1	1	
17	849-24411-00-00	. DIAPHRAGM	1	
18	(849-24413-00-00)	BODY 2	1	
19	849-24435-00-00	. GASKET, BODY 2	1	
20	849-24421-00-00	. VALVE, CHECK	1	
21	(849-24414-00-00)	BODY 3	1	
22	812-24468-00-00	. GASKET	1	
23	812-24452-00-00	. COVER	1	
24	812-24453-00-00	. SCREW	1	
25	98501-05035-00	. SCREW, PAN HEAD	4	
26	92990-05100-00	. WASHER, SPRING	4	
27	620-14142-72-00	. JET, PILOT (#72.5)	1	
28	849-14171-00-00	. PLUNGER, STARTER	1	

CONTINUED ON NEXT FRAME ►

Property of www.SmallEngineDiscount.com - Not for Resale

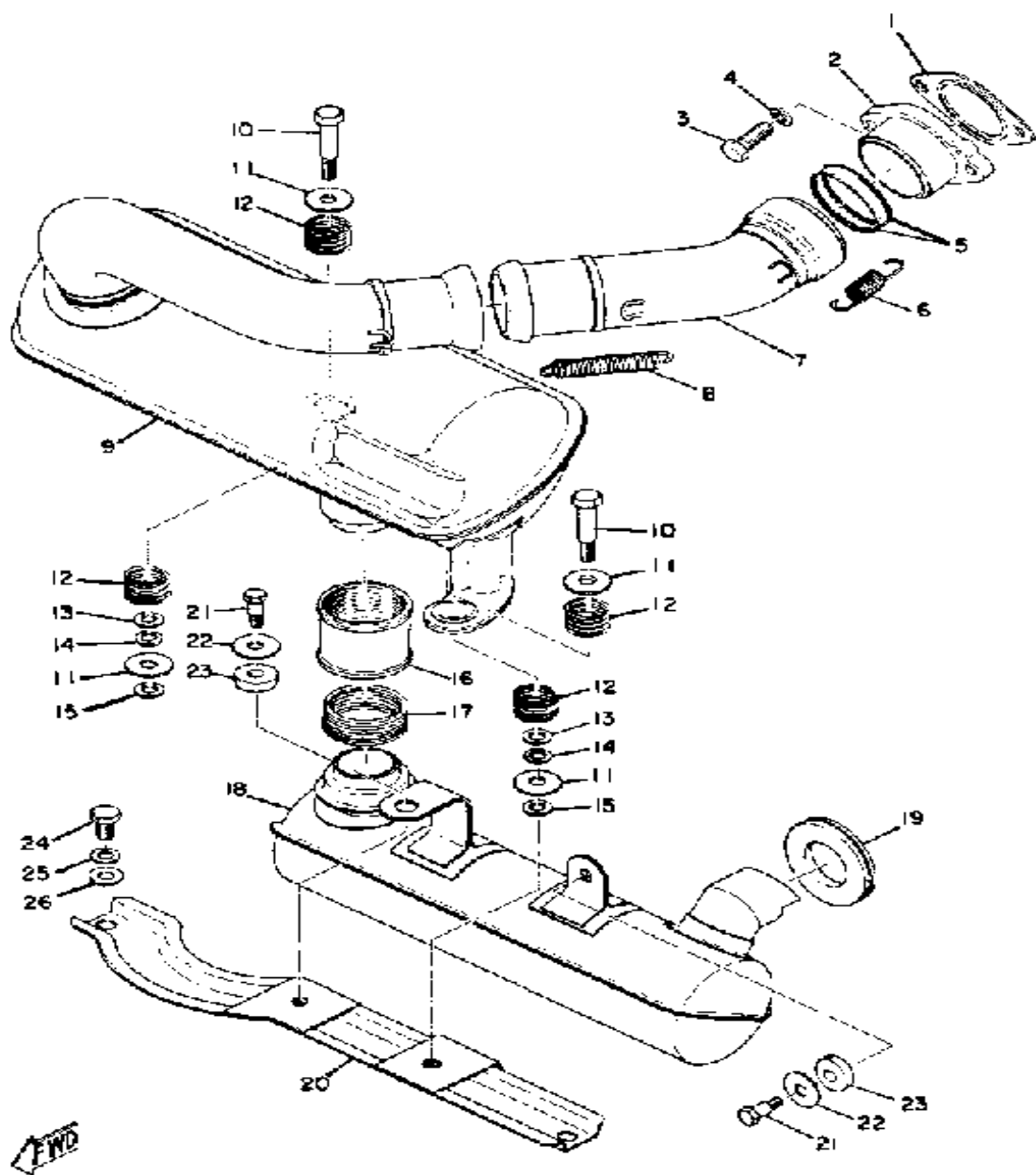
CARBURETOR



Ref. No.	Part Number	Description	Qty	Remarks
29	156-14135-00-00	. SPRING, PLUNGER	1	
30	(849-14175-00-00)	LEVER, STARTER 1	1	
31	(132-14179-00-00)	WASHER, STARTER LVR	1	
32	(849-14178-00-00)	PLATE, STARTER LVR	1	
33	802-14174-00-00	. CAP, PLUNGER	1	
34	(849-14173-00-00)	COVER, PLUNGER CAP	1	
35	(849-14143-26-00)	JET, MAIN #1 0	1	U.R.
	(849-14143-27-00)	JET, MAIN #1 5	1	U.R.
	93210-03119-00	. O-RING	1	
36	(849-14143-28-00)	JET, MAIN #1 0	1	U.R. STD
	(849-14143-29-00)	JET, MAIN #1 5	1	U.R.
37	(849-14245-00-00)	SCREW, GUIDE	1	
38	(849-14169-00-00)	CAP	1	
39	(849-14147-00-00)	O-RING	1	
40	(849-14212-00-00)	SPRING, PILOT ADJUSTING	1	
41	(849-14123-00-00)	SCREW, AIR ADJUSTING	1	
42	(849-14596-00-00)	WASHER	1	
43	(849-24453-00-00)	SCREW	1	
44	(849-14595-00-00)	NUT	1	
45	(849-14134-00-00)	SPRING, AIR ADJUSTING	1	
46	(864-14118-00-00)	CAP	1	
47	(864-14922-00-00)	SCREW, THROTTLE	1	
48	(864-24453-00-00)	SCREW	1	

Property of www.SmallEngineDiscount.com - Not for Resale

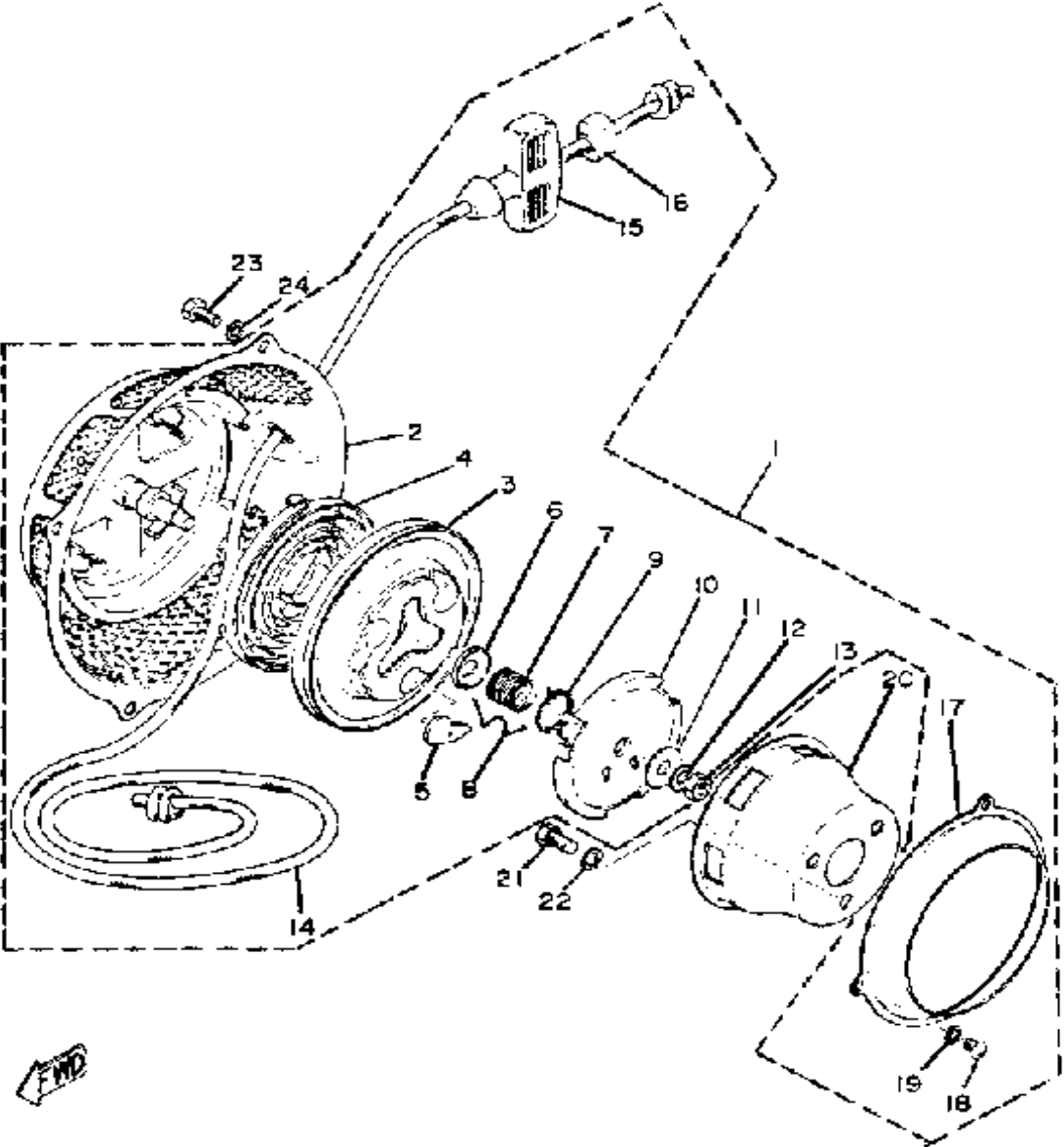
EXHAUST



Ref. No.	Part Number	Description	Qty	Remarks
1	834-14613-00-00	GASKET, EXST PIPE	1	
2	(853-14612-00-00)	NUT, RING	1	
3	97013-08025-00	BOLT	2	
4	92990-08100-00	WASHER	2	
5	(812-14623-00-00)	GASKET, EXST PIPE	2	
6	90506-20074-00	SPRING, TENSION	2	
7	860-14610-02-00	EXHAUST PIPE ASSEMBLY L .	1	
8	821-14773-00-00	SPRING, MUFFLER	2	
9	864-14710-00-00	MUFFLER ASSEMBLY L	1	
10	90109-08293-00	BOLT	2	
11	90201-10437-00	WASHER, PLATE	4	
12	853-14773-02-00	SPRING, MUFFLER	4	
13	(90560-08065-00)	SPACER	2	
14	92990-08100-00	WASHER	2	
15	(90201-07080-00)	WASHER, PLATE	2	
16	841-14714-00-00	GASKET, MUFFLER	1	
17	(90504-30004-00)	SPRING, COMPRESSION	1	
18	(860-14720-01-00)	MUFFLER ASSEMBLY R	1	
19	841-14718-00-00	PROTECTOR, MUFF 1	1	
20	(860-14771-01-00)	STAY, MUFFLER 1	1	
21	90109-06018-00	BOLT	2	
22	90201-085E6-00	WASHER PLATE	2	
23	90202-08085-00	WASHER, PLATE	2	
24	97313-08018-00	BOLT, HEXAGON (97301-08016)	2	
25	92990-08100-00	WASHER	2	
26	92901-08600-00	WASHER	2	

Property of www.SmallEngineDiscount.com - Not for Resale

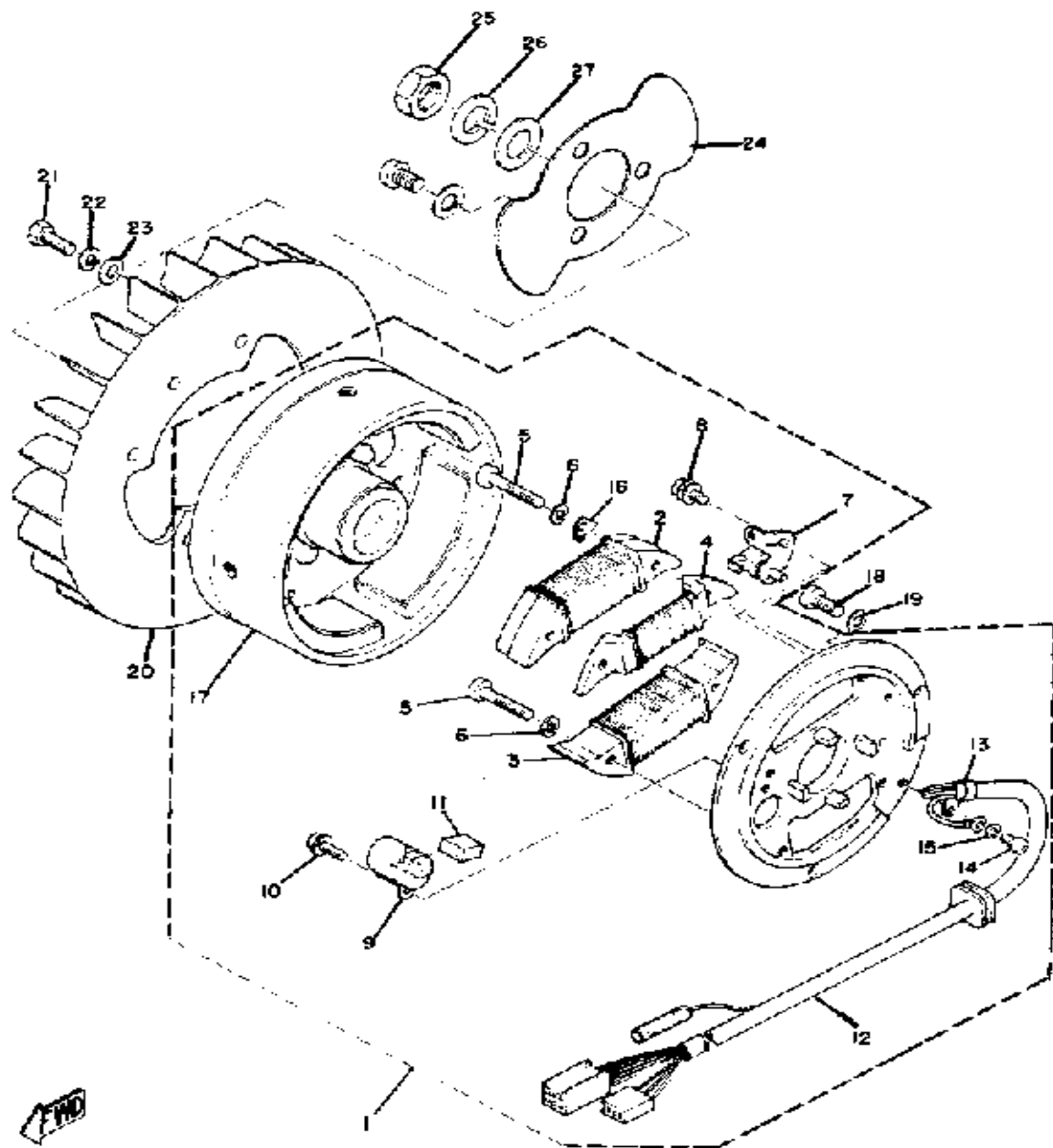
STARTER



Ref. No.	Part Number	Description	Qty	Remarks
1	(860-15710-00-00)	STARTER ASSEMBLY	1	
2	(860-15711-00-00)	CASE, STARTER	1	
3	812-15714-00-00	. DRUM, SHEAVE	1	
4	802-15713-00-00	. SPRING, STARTER	1	
5	812-15741-00-00	. PAWL, DRIVE	3	
6	626-15719-00-00	. WASHER, THRUST (802-15719-00)	1	
7	626-15715-01-00	. SPRING, DRIVE PLATE (807-15715-00)	1	
8	812-15784-00-00	. SPRING, RETURN	3	
9	811-15734-00-00	. SPRING, RETURN	1	
10	812-15716-00-00	. PLATE, DRIVE	1	
11	807-15726-01-00	. WASHER, FLAT	1	
12	92990-08100-00	. WASHER	1	
13	95303-08700-00	. NUT	1	
14	812-15751-00-00	. ROPE, STARTER	1	
15	807-15755-00-00	. HANDLE, STARTER	1	
16	619-15756-00-00	. CONNECTOR 1	1	
17	(812-15782-00-00)	COVER, SHEAVE	1	
18	98580-05006-00	. SCREW, PAN HEAD	3	
19	92990-05100-00	. WASHER, SPRING	3	
20	(812-15723-00-00)	PULLEY, STARTER	1	
21	97313-08016-00	BOLT, HEXAGON	3	
22	92990-08100-00	WASHER	3	
23	97016-06016-00	BOLT	4	
24	92906-06100-00	WASHER, SPRING	4	

Property of www.SmallEngineDiscount.com - Not for Resale

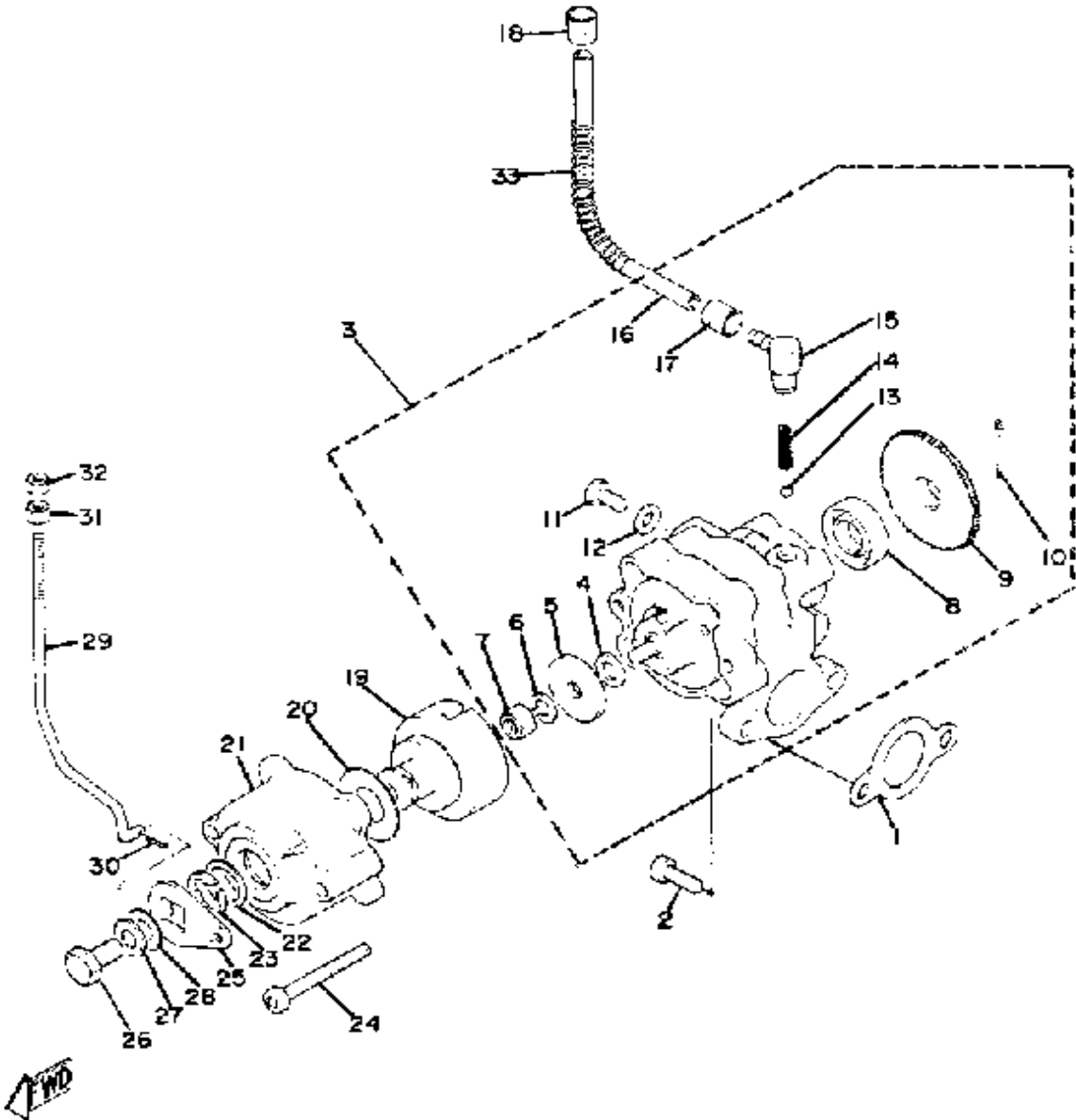
FLYWHEEL MAGNETO



Ref. No.	Part Number	Description	Qty	Remarks
1	(898-81300-20-00)	FLYWHL MAGNETO ASSEMBLY	1	
2	839-81312-20-00	. COIL, SOURCE	1	
3	898-81313-20-00	. COIL, LIGHTING 1	1	
4	898-81314-20-00	. COIL, LIGHTING 2	1	
5	802-81345-20-00	. SCREW, PAN HEAD		4
6	92990-05100-00	. WASHER, SPRING	4	
7	806-81321-20-00	. CONTACT BRKR ASSEMBLY	1	
8	110-81346-21-00	. SCREW, PAN HEAD	1	
9	802-81325-90-00	. CONDENSER 1	1	
10	110-81346-21-00	. SCREW, PAN HEAD	1	
11	116-81331-20-00	. LUBRICATOR	1	
12	(898-81315-20-00)	LEAD WIRE ASSEMBLY	1	
13	104-81328-20-00	. CLAMP	1	
14	98580-04008-00	. SCREW, PAN HEAD	1	
15	92901-04100-00	. WASHER, SPRING	1	
16	(812-81332-20-00)	PLATE, TIMING	1	
17	(860-81350-20-00)	ROTOR ASSEMBLY	1	
18	98503-06014-00	SCREW, PAN HEAD (92502-06016)	3	
19	92990-06200-00	WASHER	3	
20	(812-12611-00-00)	FAN	1	
21	90101-06127-00	BOLT	6	
22	92995-06100-00	WASHER, SPRING	6	
23	90201-06M08-00	WASHER, PLATE	6	
24	(812-81362-00-00)	COVER, HOLE	1	
25	90170-16182-00	NUT	1	
26	92901-16100-00	WASHER, SPRING	1	
27	90201-16247-00	WASHER, PLATE (807-11557-00)	1	

Property of www.SmallEngineDiscount.com - Not for Resale

OIL PUMP

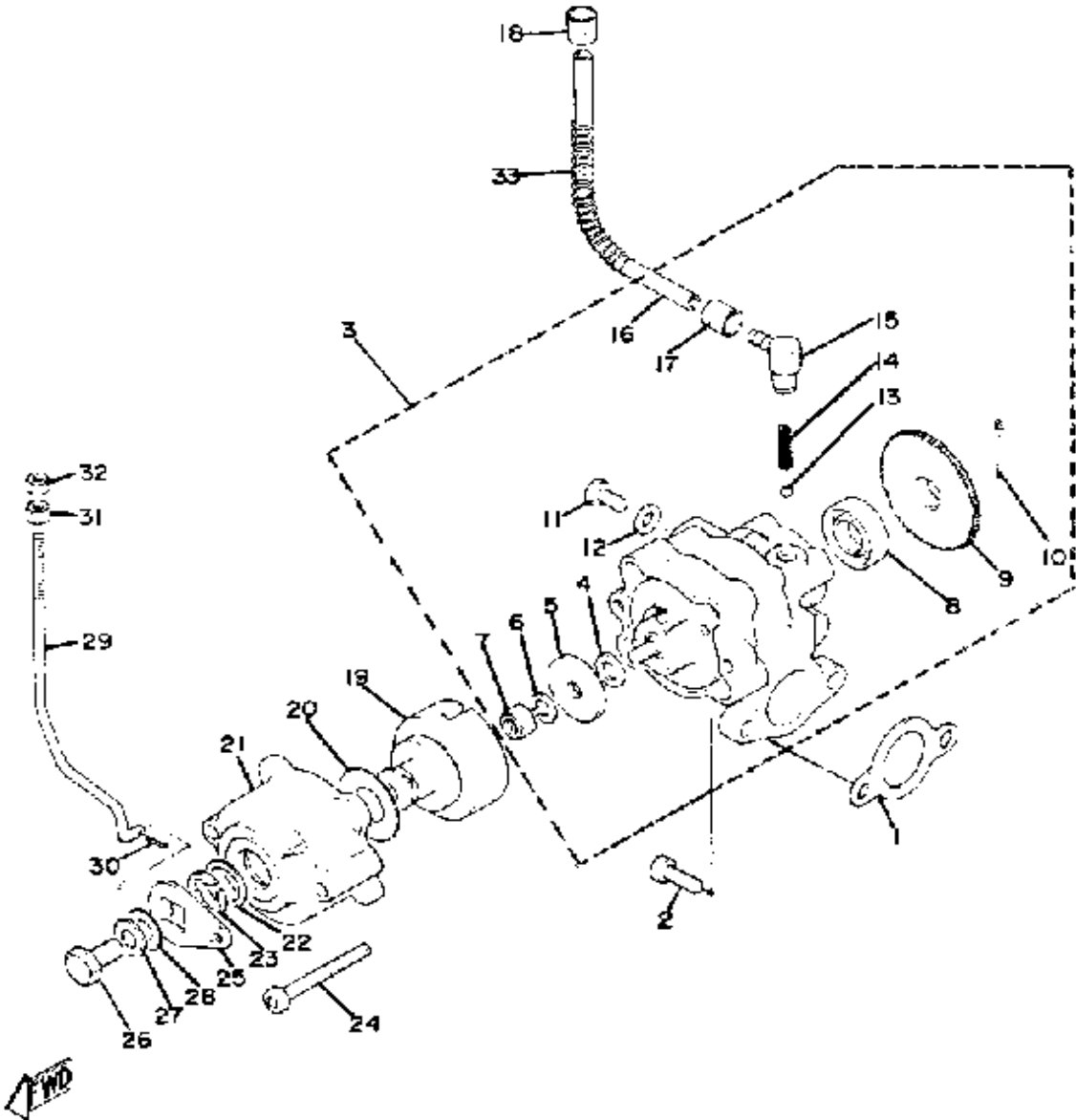


Ref. No.	Part Number	Description	Qty	Remarks
1	3MT-13116-00-00	GASKET, PUMP CASE (8Y0-13116-00)	1	
2	98580-05016-00	SCREW, PAN HEAD	2	
3	(899-13101-00-00)	OIL PUMP ASSEMBLY	1	
4	(137-13137-00-30)	SHIM, PLUNGER	1	U.R.
	137-13137-00-10	. SHIM (1.0T)	1	U.R.
5	137-13138-01-00	. PLATE, ADJUSTING	1	
6	92990-05100-00	. WASHER, SPRING	1	
7	95380-05600-00	. NUT	1	
8	93101-10090-00	. OIL SEAL	1	
9	(137-13128-00-00)	PLATE, STARTER	1	
10	91490-16020-00	. PIN, COTTER	1	
11	(90109-04178-00)	BOLT	1	N/A
12	90430-04004-00	. GASKET	1	
13	93505-32002-00	. BALL	1	
14	90501-02018-00	. SPRING, COMPRESSION	1	
15	353-13552-01-00	. NOZZLE	1	
16	90445-05301-00	. HOSE (214-13161-01)	1	
17	90468-02033-00	. CLIP	1	
18	90468-02033-00	CLIP	1	
19	860-13153-00-00	SHAFT, PUMP CONTROL	1	
20	860-13119-00-00	SEAL, GREASE	1	
21	(812-13146-00-00)	COVER, AJST PULLEY	1	
22	(812-13147-00-00)	SHIM	1	
23	99001-09600-00	CIRCLIP	1	
24	98511-04030-00	SCREW, PAN HEAD	2	
25	(812-13156-00-00)	LEVER, PUMP CONTROL	1	
26	97013-06012-00	BOLT	1	
27	92995-06100-00	WASHER, SPRING	1	

CONTINUED ON NEXT FRAME ►

Property of www.SmallEngineDiscount.com - Not for Resale

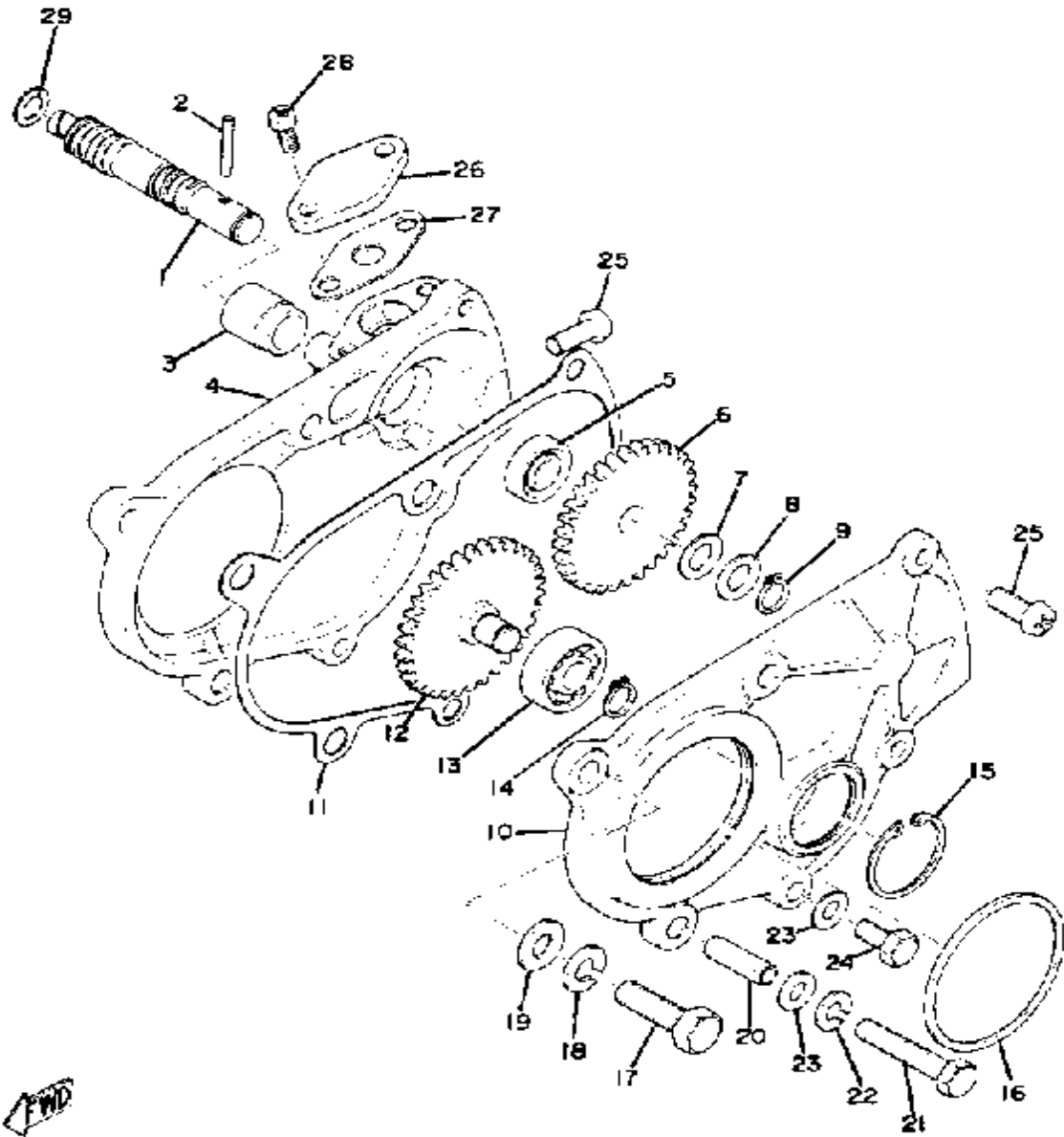
OIL PUMP



Ref. No.	Part Number	Description	Qty	Remarks
28	92901-06600-00	WASHER	1	
29	864-13157-00-00	ROD, PUMP CONTROL	1	
30	91490-12012-00	PIN, COTTER	1	
31	90170-03008-00	NUT, HEXAGON (807-13139-00)	1	
32	90185-03007-00	NUT, SELF-LOCKING (838-13139-00)	1	
33	(90501-04019-00)	SPRING, COMPRESSION	1	

Property of www.SmallEngineDiscount.com - Not for Resale

PUMP DRIVE-GEAR

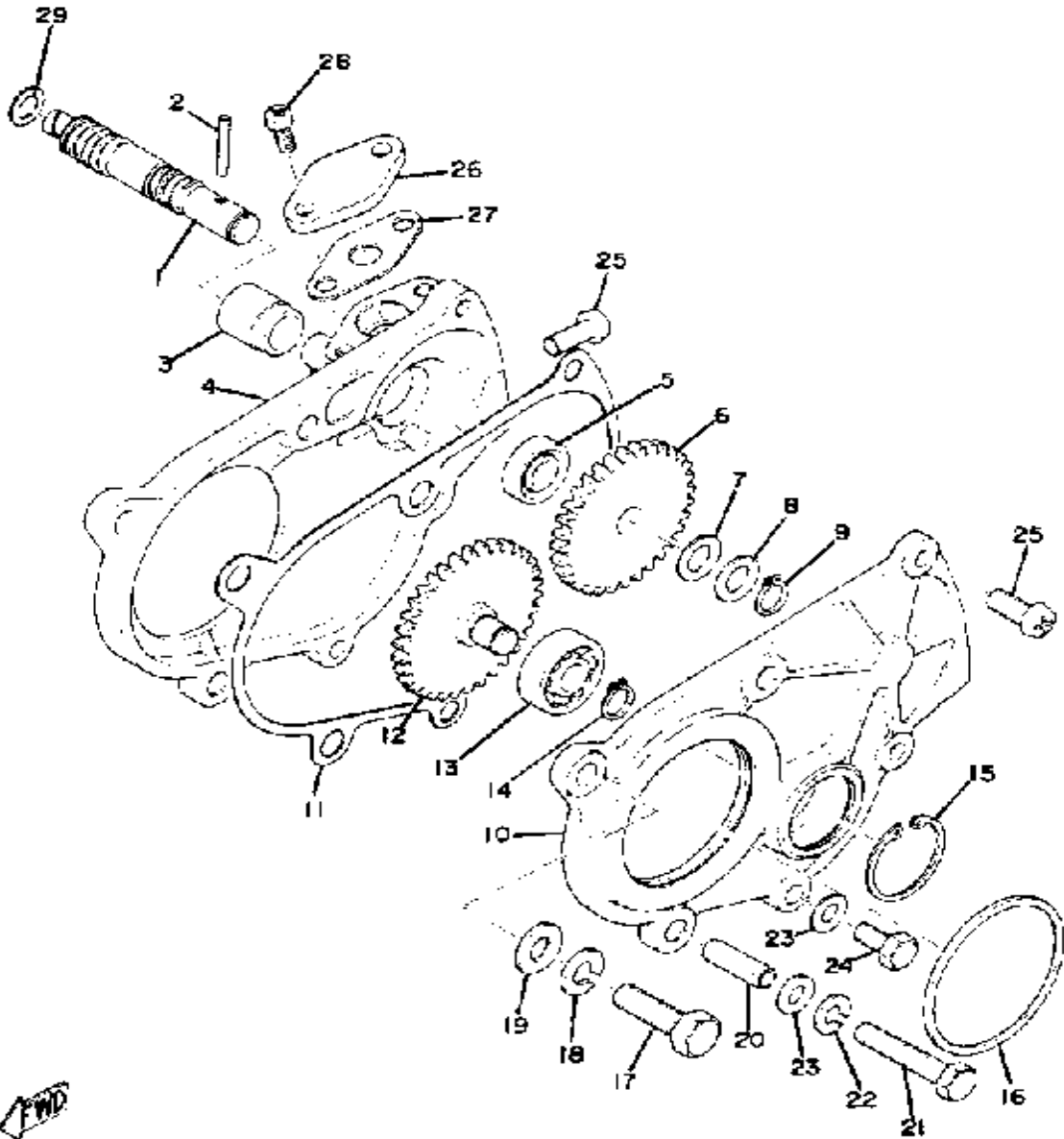


Ref. No.	Part Number	Description	Qty	Remarks
1	860-13175-00-00	SHAFT, WORM	1	
2	93603-22028-00	PIN, DOWEL	1	
3	821-13176-00-00	METAL, WORM SHAFT OUTER	1	
4	(839-15416-00-00)	COVER, OIL PUMP	1	
5	93101-10090-00	OIL SEAL	1	
6	821-13188-00-00	GEAR, DRIVE (32T)	1	
7	90206-11016-00	WASHER, WAVE	1	
8	137-13148-00-00	PLATE, CAM THRUST	1	
9	99009-10400-00	CIRCLIP	1	
10	839-15426-00-00	COVER, OIL PUMP R	1	
11	860-15466-00-00	GASKET 2	1	
12	(821-13179-00-00)	GEAR, IDLE	1	
13	93306-00002-00	BEARING (B6000RS)	1	
14	99009-10400-00	CIRCLIP	1	
15	93420-26024-00	CIRCLIP, R-TYPE (R-26)	1	
16	(838-13119-00-00)	SEAL, GREASE	1	
17	97313-08030-00	BOLT, HEXAGON	1	
18	92990-08100-00	WASHER	1	
19	92901-08600-00	WASHER	1	
20	91810-18022-00	PIN, DOWEL	2	
21	97013-06035-00	BOLT	2	
22	92995-06100-00	WASHER, SPRING	2	
23	92901-06600-00	WASHER	3	
24	97011-06025-00	BOLT (97001-06025)	1	
25	98503-06014-00	SCREW, PAN HEAD (92502-06016)	3	
26	824-17819-00-00	CAP, HOUSING	1	
27	821-17818-02-00	GASKET	1	
28	98580-05010-00	SCREW, PAN HEAD	2	

CONTINUED ON NEXT FRAME ➤

Property of www.SmallEngineDiscount.com - Not for Resale

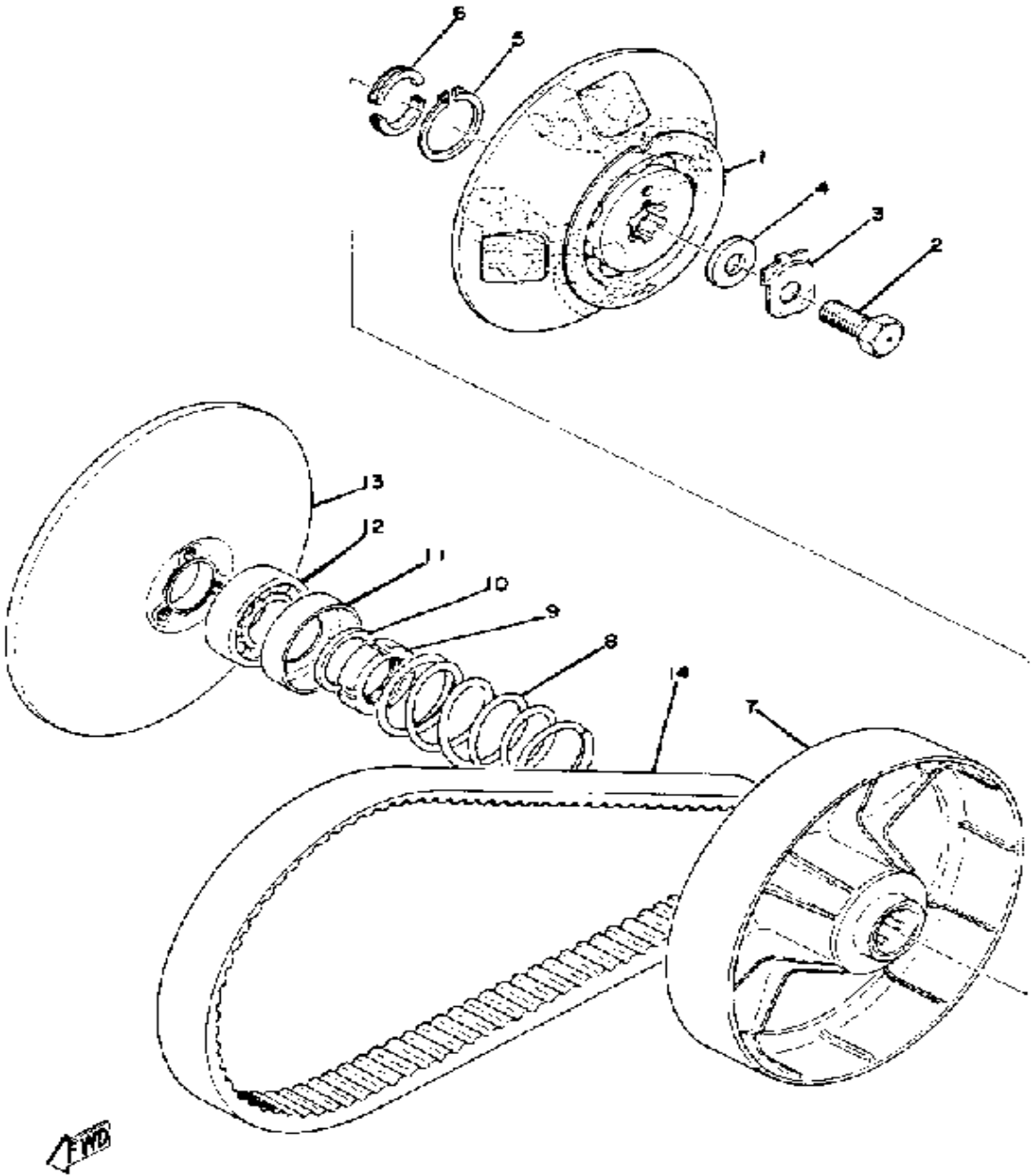
PUMP DRIVE-GEAR



Ref. No.	Part Number	Description	Qty	Remarks
29	90201-08624-00	WASHER, PLATE	1	

Property of www.SmallEngineDiscount.com - Not for Resale

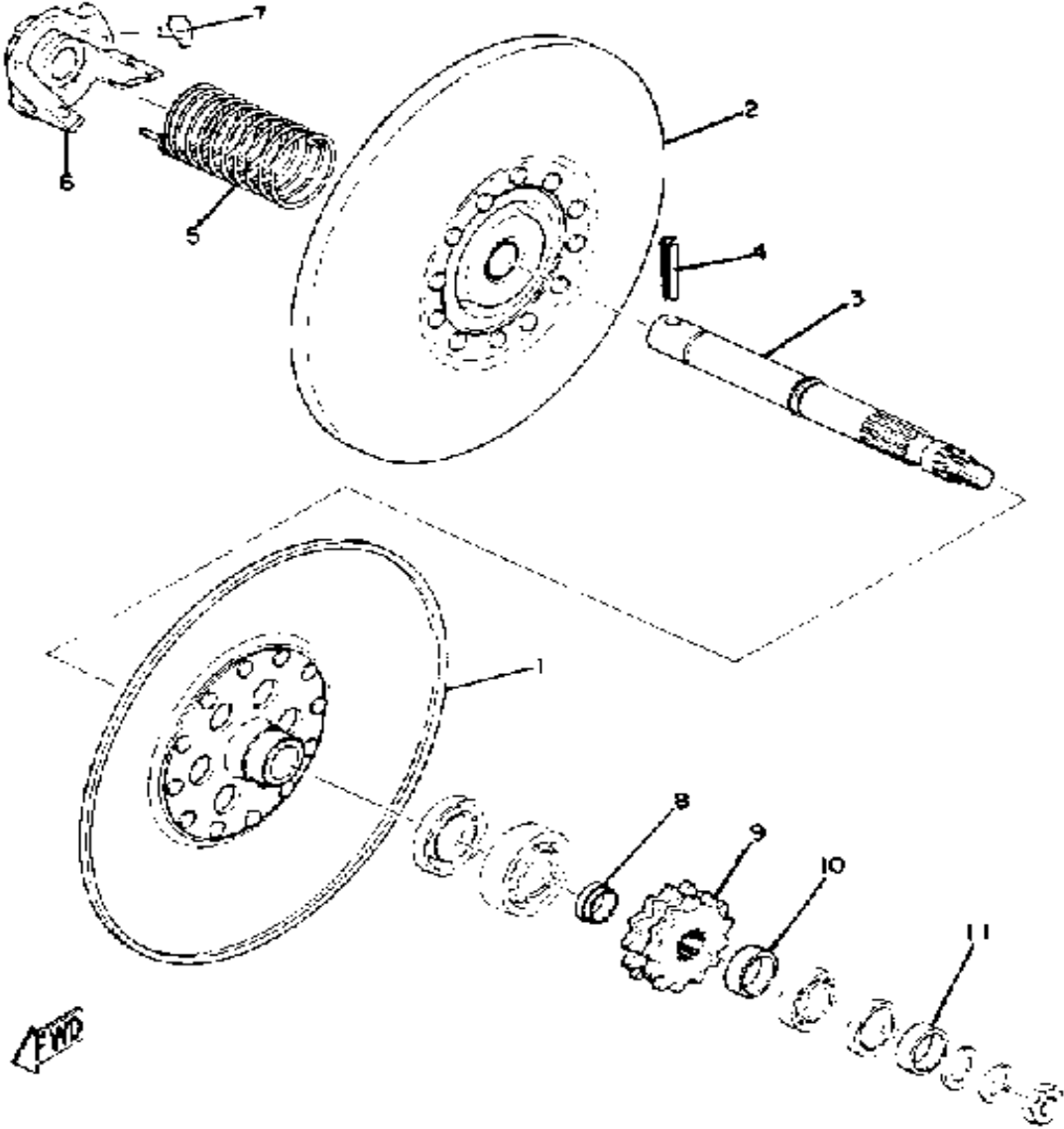
PRIMARY SHEAVE



Ref. No.	Part Number	Description	Qty	Remarks
1	8F8-W1762-00-00	PRI. SHEAVE CAP (864-17630-01)	1	
2	(838-17647-01-00)	BOLT	1	
3	90215-12084-00	WASHER, LOCK	1	
4	90201-12191-00	WASHER, PLATE	1	
5	99009-30400-00	CIRCLIP	1	
6	806-17645-00-00	COLLAR	2	
7	864-17620-00-00	PRI SLIDG SHEAVECOMP.	1	
8	90501-50202-00	SPRING, COMPRESSION	1	PAINTED BLU/RED
9	(810-17642-00-00)	NUT, BEARING	1	
10	90208-28003-00	WASHER, CONICAL SPR	1	
11	806-17644-00-00	SEAT, SPRING	1	
12	93306-20567-00	BEARING	1	
13	(864-W1761-00-00)	PRI. FIXED SHEAVE	1	
14	820-17614-00-00	UNAVAILABLE IN PRICE BOOK	1	

Property of www.SmallEngineDiscount.com - Not for Resale

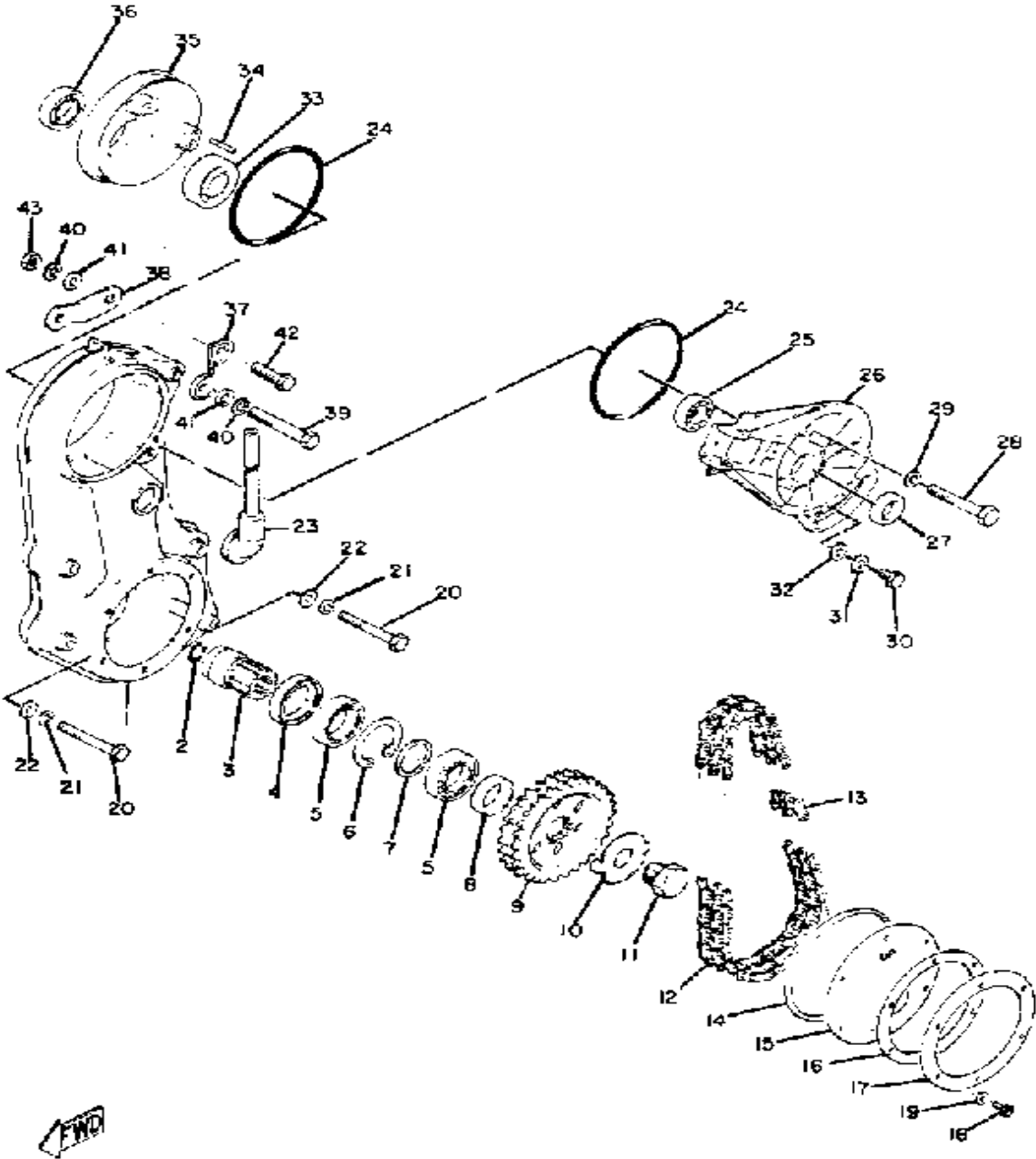
SECONDARY SHEAVE



Ref. No.	Part Number	Description	Qty	Remarks
1	(899-17660-00-00)	SEC FXD SHV	1	
2	(899-17670-00-00)	SEC SLIDING SHEAVE	1	
3	(810-17681-00-00)	SHAFT, SECONDARY	1	
4	91609-80040-00	PIN, SPRING	1	
5	805-17683-00-00	SPRING, SECONDARY (805-17683-00)	1	NO PAINT
6	810-17684-01-00	SEAT, SEC SPRINGSRING ..	1	
7	801-17688-10-00	SHOE, RAMP	3	
8	90387-19149-00	COLLAR (812-17685-00)	1	
9	(810-17682-50-00)	SPRKT, CHAIN DR 15T	1	U.R.
	802-17682-10-00	SPROCKET, CHAIN DRIVE (10T)	1	U.R.
	802-17682-20-00	SPROCKET, CHAIN DRIVE (11T)	1	U.R.
	802-17682-40-00	SPRKT, CHAIN DR 13TCHAIN DRIVE (13T) (806-17682-30-0) .	1	U.R.
	806-17682-20-00	SPROCKET, CHAIN DRIVE (12T)	1	U.R. STD
	806-17682-40-00	SPROCKET, CHAIN DRIVE (14T)	1	U.R.
10	90387-17133-00	COLLAR	1	
11	90387-17130-00	COLLAR (818-17686-00)	1	

Property of www.SmallEngineDiscount.com - Not for Resale

TRACK DRIVE

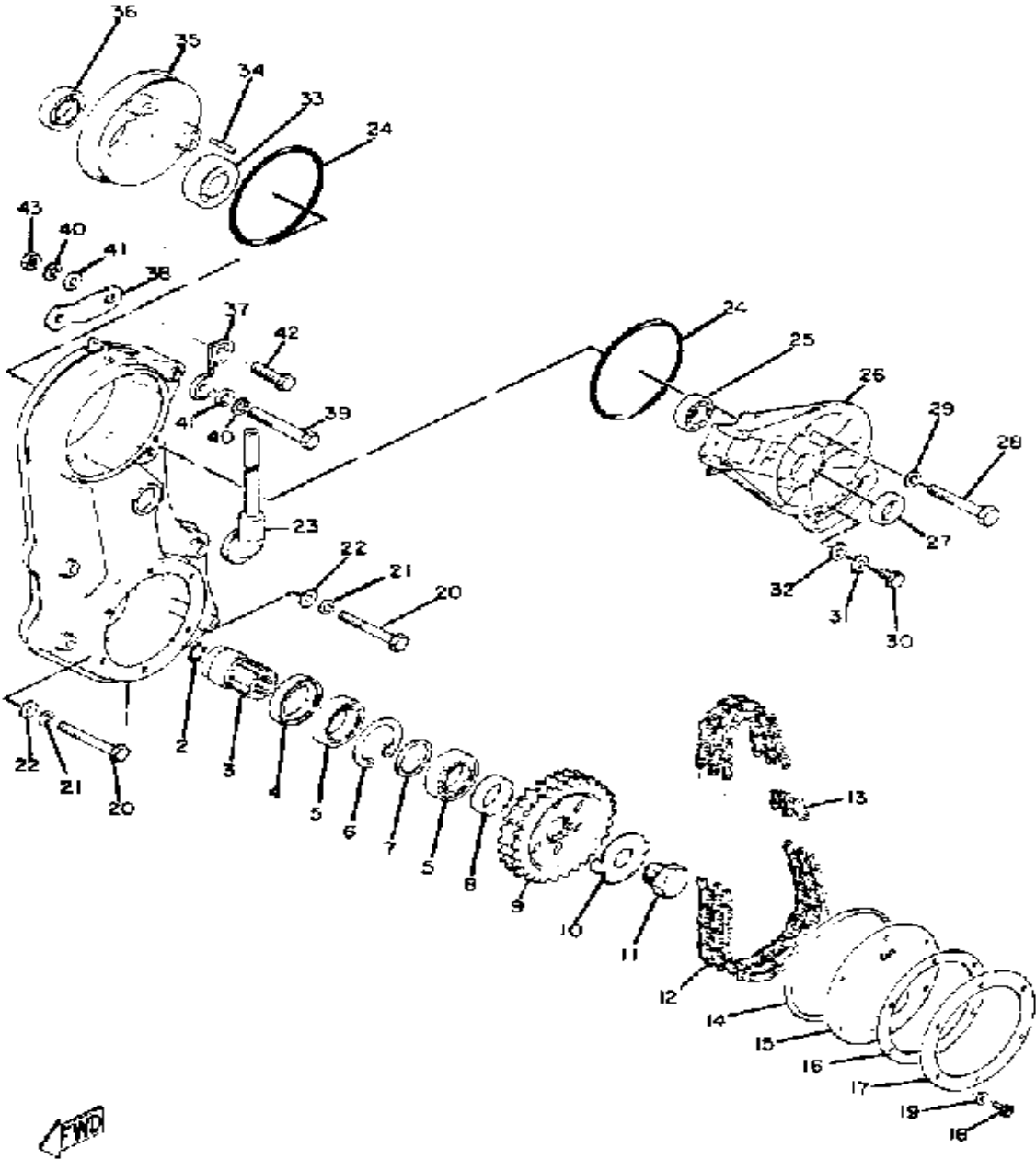


Ref. No.	Part Number	Description	Qty	Remarks
1	(844-47541-00-00)	HOUSING, CHAIN	1	
2	93210-25070-00	O-RING	1	
3	(841-47571-00-00)	JOURNAL 1	1	
4	93102-40080-00	OIL SEAL, SD-TYPE	1	
5	93306-90702-00	BEARING	2	
6	93420-55028-00	CIRCLIP, R-TYPE	1	
7	90560-35050-00	SPACER	1	
8	(802-47548-40-00)	SPROCKET, CHN DRVN	1	U.R.
	(802-47548-60-00)	SPROCKET, CHN DRVN	1	U.R.
	802-47548-50-00	SPROCKET, CHN DRVN	1	U.R.
	90387-35206-00	COLLAR	1	
9	(835-47548-20-00)	SPROCKET, CHN DRVN	1	U.R. STD
10	90215-24029-00	WASHER, LOCK	1	
11	90109-24203-00	BOLT	1	
12	94804-25068-00	CHAIN	1	U.R. STD
13	94901-25001-00	. UNAVAILABLE IN PRICE BOOK	1	
14	(806-47558-00-00)	RING, HOUSING	1	
15	(821-47543-00-00)	CAP, HOUSING	1	
16	821-47544-00-00	GASKET	1	
17	(821-47591-00-00)	PLATE	1	
18	90143-05004-00	SCREW, HEXAGON	6	
19	90210-05005-00	WASHER, SEAL	1	
20	97021-08070-00	BOLT	4	
21	92990-08100-00	WASHER	4	
22	92901-08600-00	WASHER	4	
23	(861-47559-00-00)	CAP 2	1	
24	93211-13109-00	O-RING	2	
25	93306-20310-00	BEARING	1	

CONTINUED ON NEXT FRAME ►

Property of www.SmallEngineDiscount.com - Not for Resale

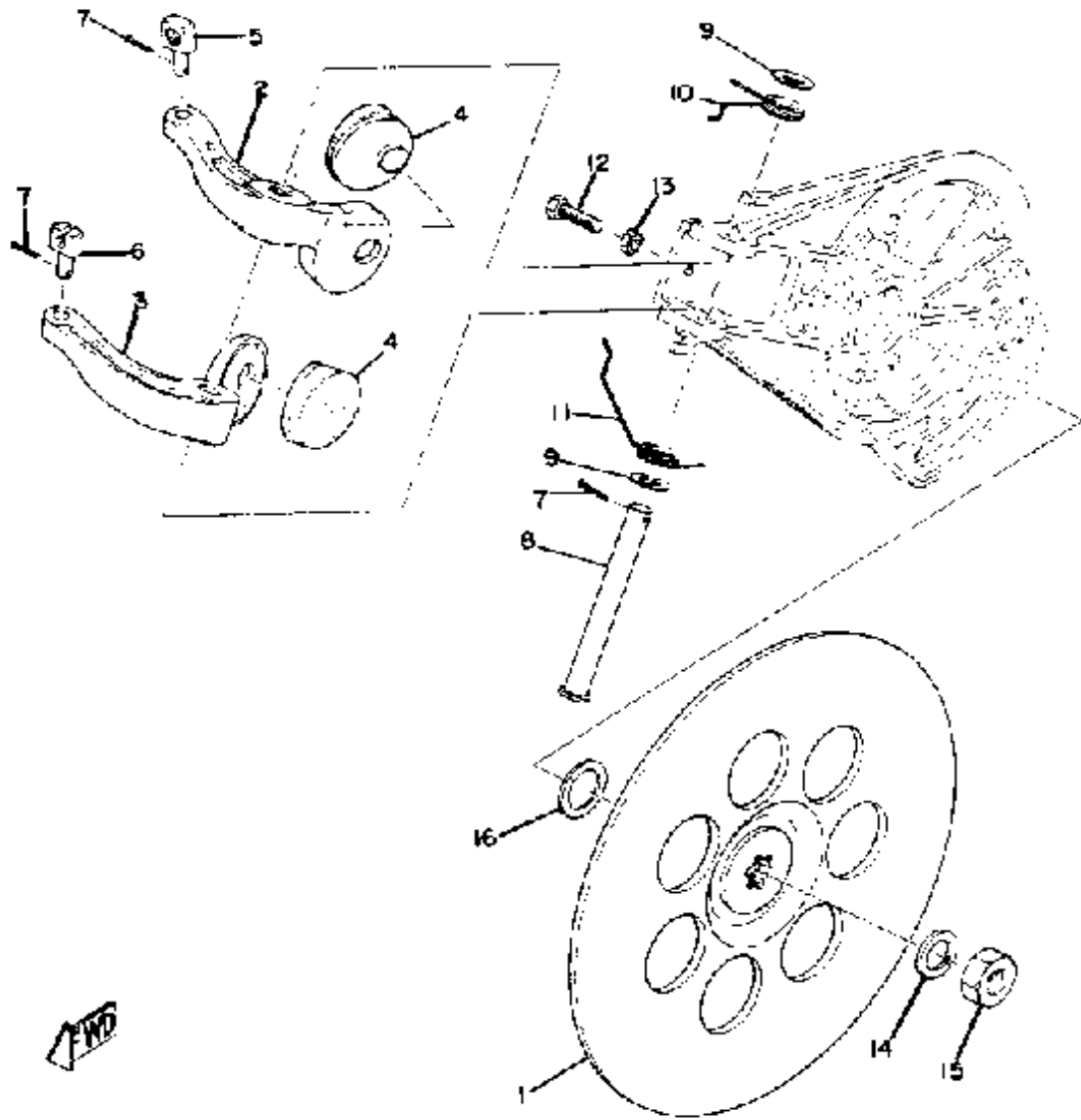
TRACK DRIVE



Ref. No.	Part Number	Description	Qty	Remarks
26	845-47561-01-00	HOUSING, SEC SHAFT	1	
27	93102-22087-00	OIL SEAL	1	
28	97013-08060-00	BOLT (663)	2	
29	90210-08002-00	WASHER, SEAL	2	
30	97313-08018-00	BOLT, HEXAGON (97301-08016)	1	
31	(90215-08027-00)	WASHER, LOCK	1	
32	92901-08600-00	WASHER	1	
33	93306-30407-00	BEARING (B6304C3)	1	
34	93604-18058-00	PIN, DOWEL	2	
35	810-47562-00-00	HOUSING, SEC SHAFT	1	
36	93102-30083-00	SEAL, OIL	1	
37	(841-47565-00-00)	STAY 1	1	
38	(841-47566-00-00)	STAY 2	1	
39	97021-08070-00	BOLT	1	
40	92990-08100-00	WASHER	2	
41	92901-08600-00	WASHER	2	
42	97313-08035-00	BOLT, HEXAGON	1	
43	95333-08600-00	NUT	1	

Property of www.SmallEngineDiscount.com - Not for Resale

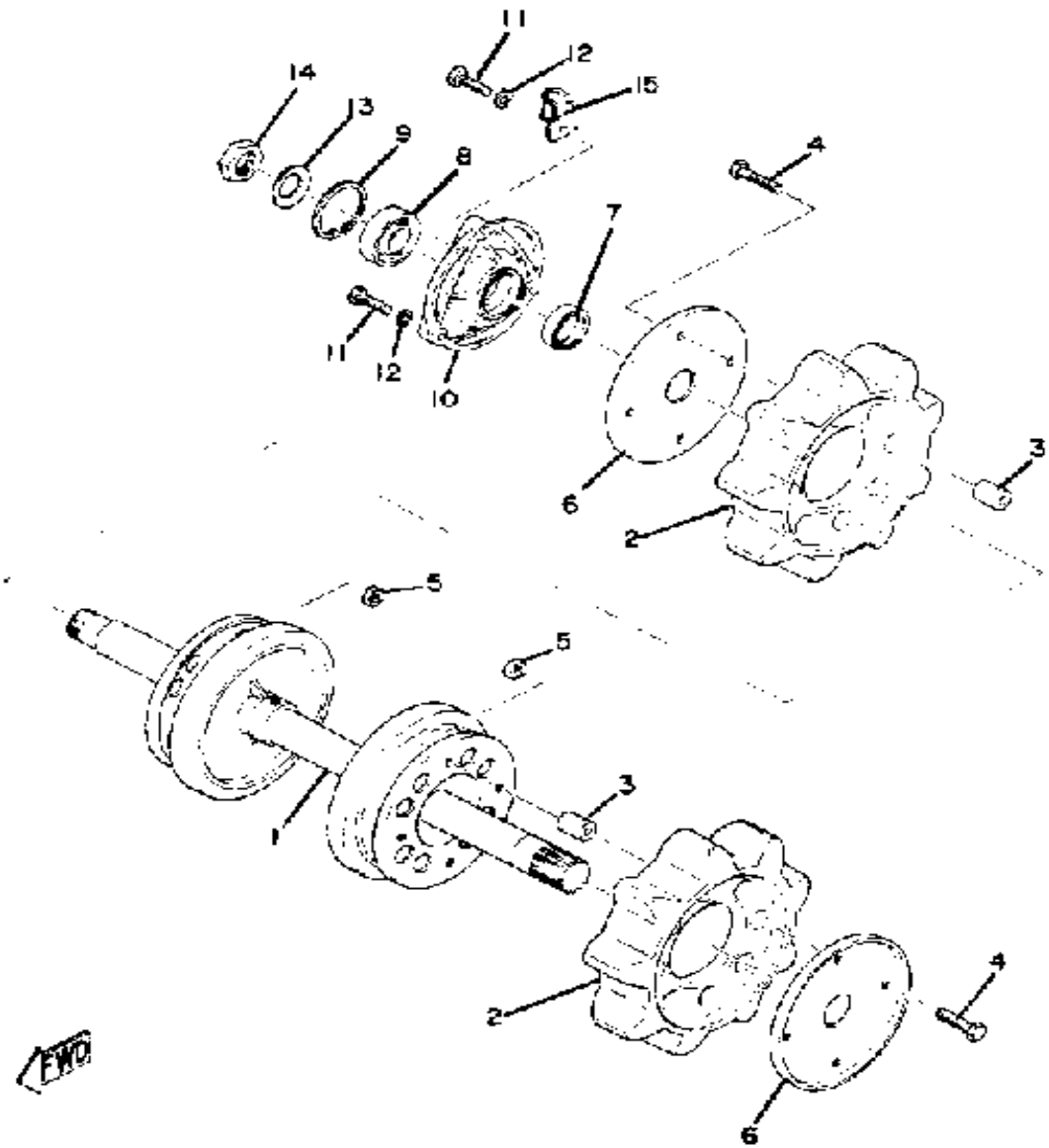
BRAKE



Ref. No.	Part Number	Description	Qty	Remarks
1	845-25711-00-00	DISC, BRAKE	1	
2	838-25740-00-00	PAD, CALIPER (R.H.)	1	
3	838-25731-00-00	BODY, CALIPER 1	1	
4	(826-25732-09-00)	PAD, CALIPER	2	
5	90249-06012-00	PIN	1	
6	90249-06009-00	PIN	1	
7	91490-20020-00	PIN, COTTER	3	
8	90240-08023-00	PIN, CLEVIS	1	
9	92901-08600-00	WASHER	1	
10	(90508-29045-00)	SPRING, TORSION	1	
11	(90508-29046-00)	SPRING, TORSION	1	
12	97313-05020-00	BOLT, HEXAGON	1	
13	95311-05700-00	NUT	1	
14	92901-12100-00	WASHER, SPRING	1	
15	95301-12700-00	NUT (95302-12700)	1	
16	(150-17417-00-03)	SHIM 1	1	
	150-17417-00-02	SHIM 1	1	

Property of www.SmallEngineDiscount.com - Not for Resale

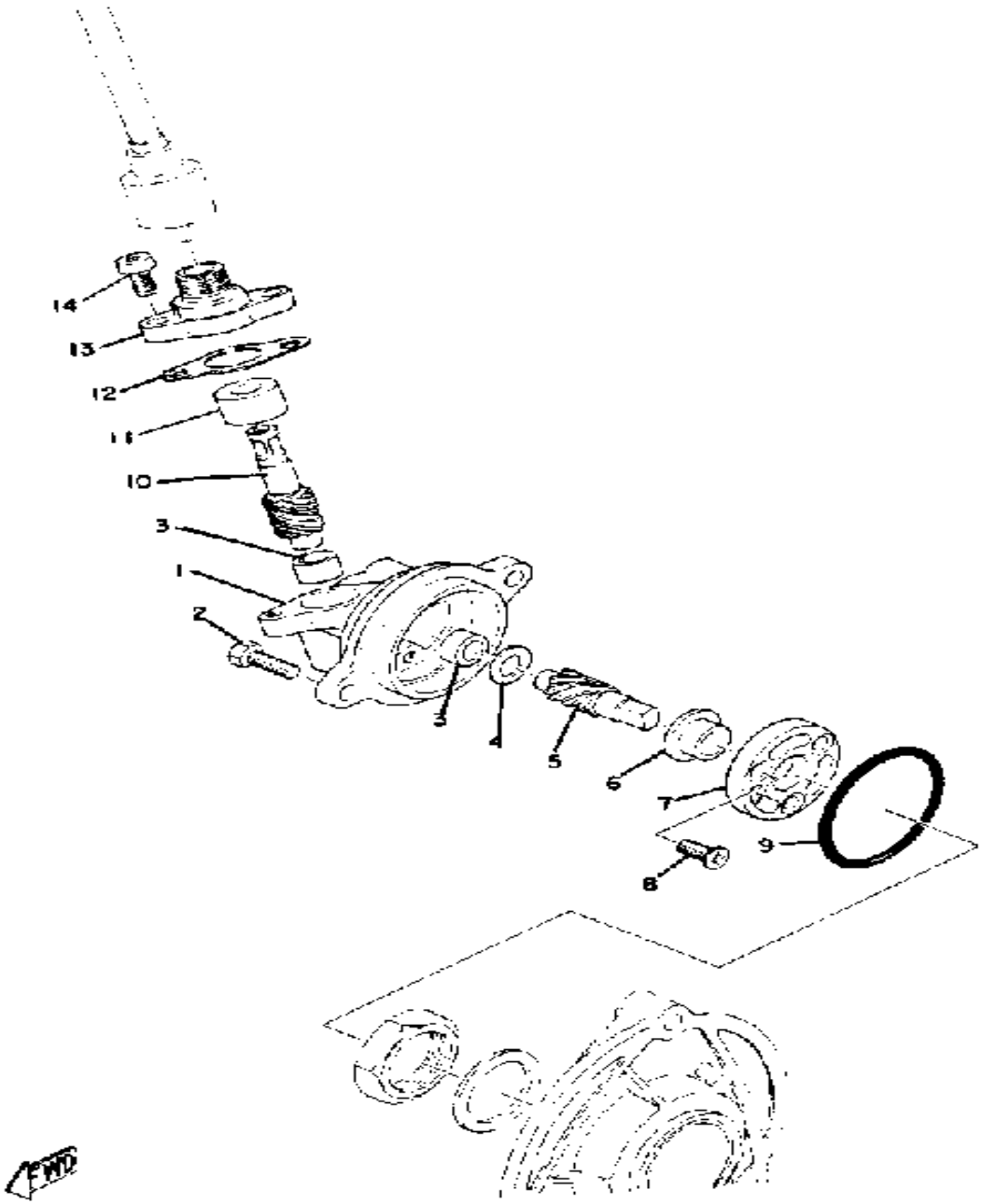
FRONT AXLE



Ref. No.	Part Number	Description	Qty	Remarks
1	890-47510-00-00	FRONT AXLE	1	
2	890-47531-00-00	WHEEL, SPROCKET 1	2	
3	(90387-06476-00)	COLLAR	8	
4	97011-06025-00	BOLT (97001-06025)	8	
5	95601-06100-00	NUT, U	8	
6	(890-47522-00-00)	RIM, SPROCKET WHL 2	2	
7	93102-25084-00	OIL SEAL, SD-TYPE	1	
8	93306-00412-00	BEARING	1	
9	93420-44029-00	CIRCLIP, R-TYPE	1	
10	841-47551-00-00	HOUSING, FRONT AXLE	1	
11	97013-08025-00	BOLT	3	
12	92990-08100-00	WASHER	3	
13	90208-22001-00	WASHER, CONICAL SPRING ..	1	
14	90170-22094-00	NUT	1	
15	90465-06100-00	CLAMP	1	

Property of www.SmallEngineDiscount.com - Not for Resale

SPEEDOMETER-GEAR UNIT

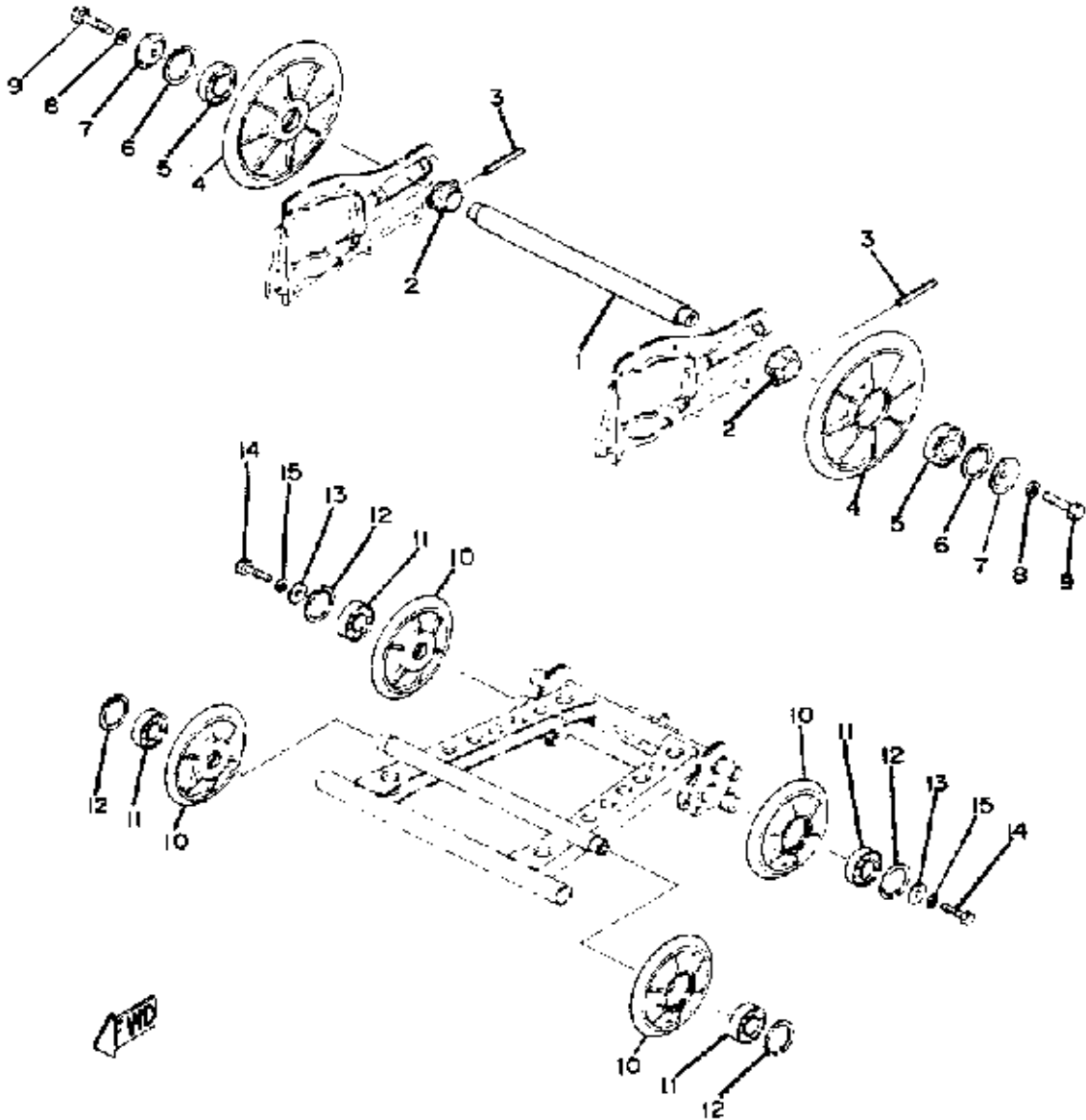


Ref. No.	Part Number	Description	Qty	Remarks
1	8E6-47711-10-00	HOUSING	1	
2	97313-06016-00	BOLT, HEXAGON	2	
3	(90380-08002-00)	BUSH, SOLID	2	
4	810-47717-10-00	SHIM	1	
5	810-47731-11-00	GEAR, DRIVE	1	
6	90381-10003-00	BUSH, SOLID	1	
7	853-47712-10-00	JOURNAL	1	
8	98701-04012-00	SCREW, FLAT HEAD	3	
9	93210-43141-00	O-RING	1	
10	810-47741-11-00	GEAR, DRIVEN (810-47741-10)	1	
11	90380-08005-00	BUSH, SOLID	1	
12	810-47727-10-00	GASKET	1	
13	8E3-47721-10-00	COVER, HOUSING	1	
14	98580-05012-00	SCREW, PAN HEAD	2	

Property of www.SmallEngineDiscount.com - Not for Resale

B10

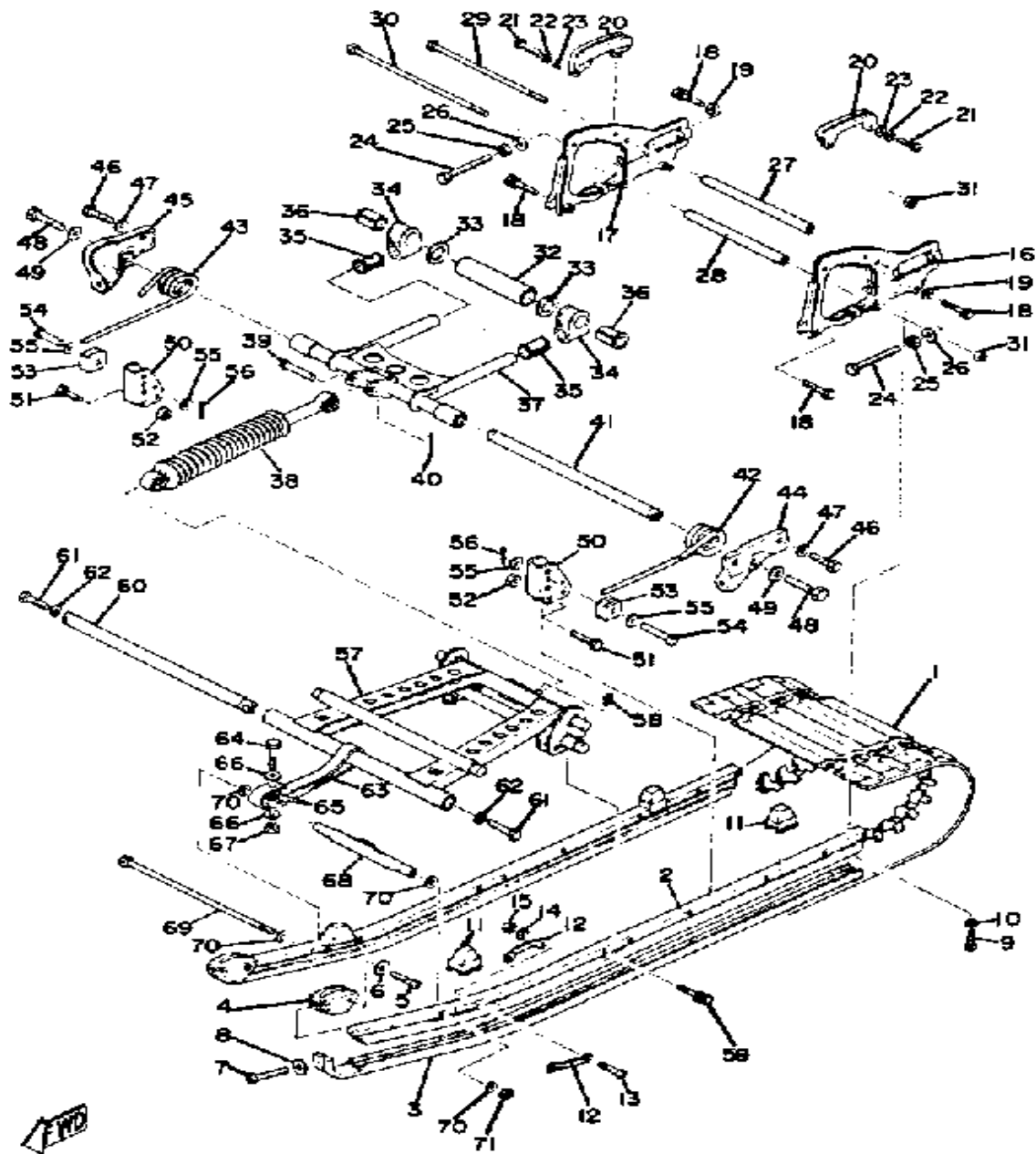
REAR AXLE-WHEEL



Ref. No.	Part Number	Description	Qty	Remarks
1	(885-47521-01-00)	AXLE, REAR	1	
2	885-47479-00-00	COLLAR 3	2	
3	91609-40040-00	PIN, SPRING	2	
4	8L4-47530-00-00	GUIDE WHEEL COMP.	2	
5	93306-20417-00	BEARING (B62042RS)	2	
6	99009-47500-00	CIRCLIP	2	
7	90209-08124-00	WASHER, SPEC'L SHAP	2	
8	92990-08100-00	WASHER	2	
9	97013-08025-00	BOLT	2	
10	885-47320-01-00	SUSPENSION WHEEL COMP.	4	
11	93306-00441-00	BEARING (89A) (B6004RS)	4	
12	99009-42500-00	CIRCLIP	4	
13	90209-06137-00	WASHER, SPEC'L SHAP	4	
14	97011-06020-00	BOLT	4	
15	92995-06100-00	WASHER, SPRING	4	

Property of www.SmallEngineDiscount.com - Not for Resale

TRACK SUSPENSION

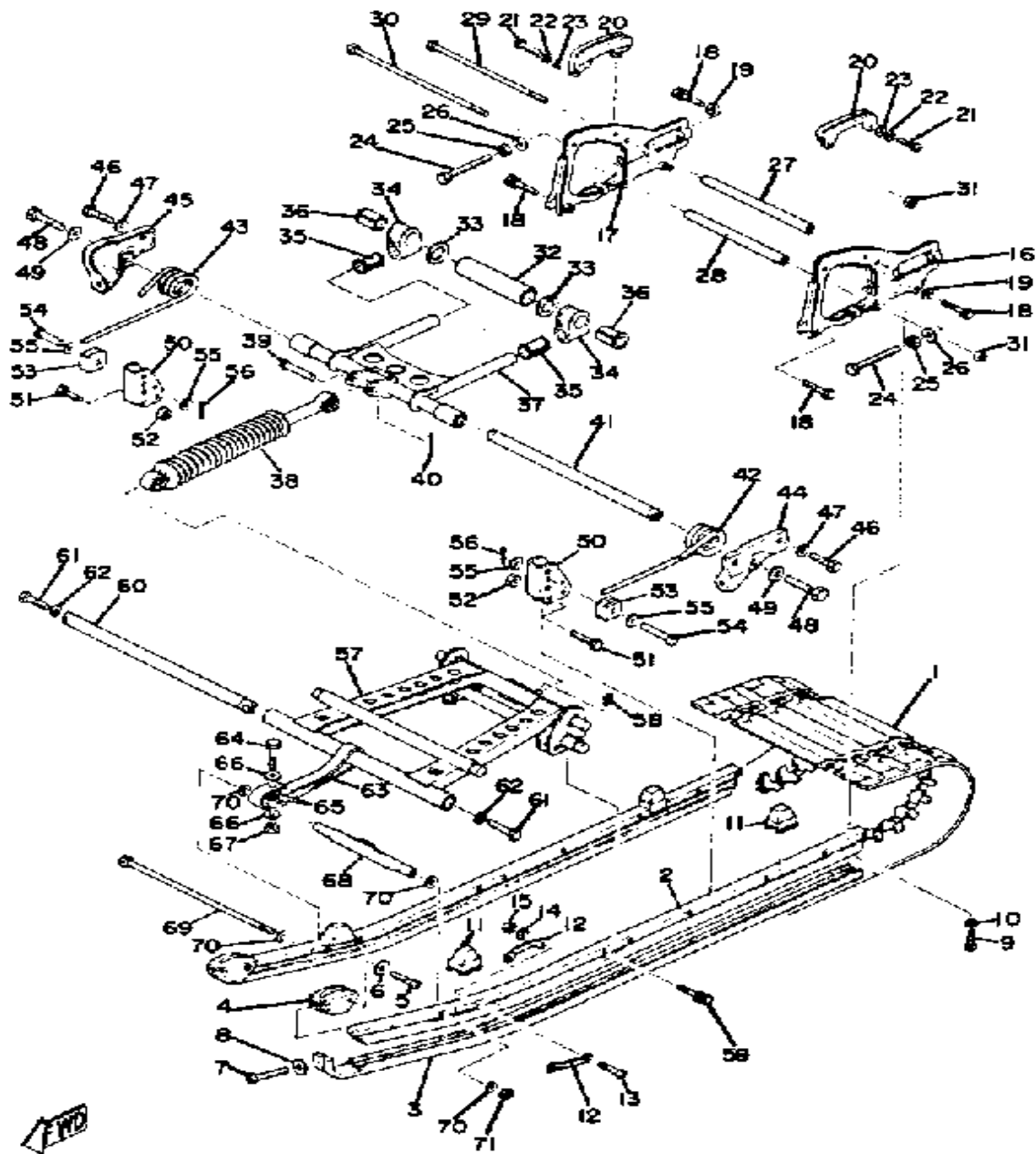


Ref. No.	Part Number	Description	Qty	Remarks
1	(890-47110-00-00)	TRACK ASSEMBLY	1	
2	890-47411-00-00	FRAME, SLIDING 1	2	
3	890-47421-90-XX	RUNNER, SLIDING 1 (890-47421-00)	2	
4	885-47423-00-00	RUNNER, SLIDING 3	2	
5	98511-06025-00	SCREW PAN HEAD (92501-06025)	2	
6	90201-06057-00	WASHER, PLATE	2	
7	98580-06040-00	SCREW, pan head (92501-06040-00)	2	
8	90201-06M02-00	WASHER, PLATE	2	
9	91316-06010-00	BOLT, SOCKET HEAD	2	
10	92995-06100-00	WASHER, SPRING	2	
11	885-47457-00-00	DAMPER 2	4	
12	885-47458-01-00	PLATE, DAMPER	4	
13	98501-05030-00	SCREW, PAN HEAD	4	
14	92990-05100-00	WASHER, SPRING	4	
15	95380-05600-00	NUT	4	
16	(885-47412-00-00)	FRAME, SLIDING 2	1	
17	(885-47413-00-00)	FRAME, SLIDING 3	1	
18	90119-08008-00	BOLT, WITH WASHER	4	
19	90201-08020-00	WASHER, PLATE	2	
20	8E3-47422-00-00	RUNNER, SLIDING 2	2	
21	98580-06020-00	SCREW	4	
22	92995-06100-00	WASHER, SPRING	4	
23	92901-06600-00	WASHER	4	
24	90101-10293-00	BOLT	2	
25	95303-10700-00	NUT	2	
26	92990-10600-00	WASHER, PLATE	2	
27	90387-08497-00	COLLAR	1	

CONTINUED ON NEXT FRAME ►

Property of www.SmallEngineDiscount.com - Not for Resale

TRACK SUSPENSION

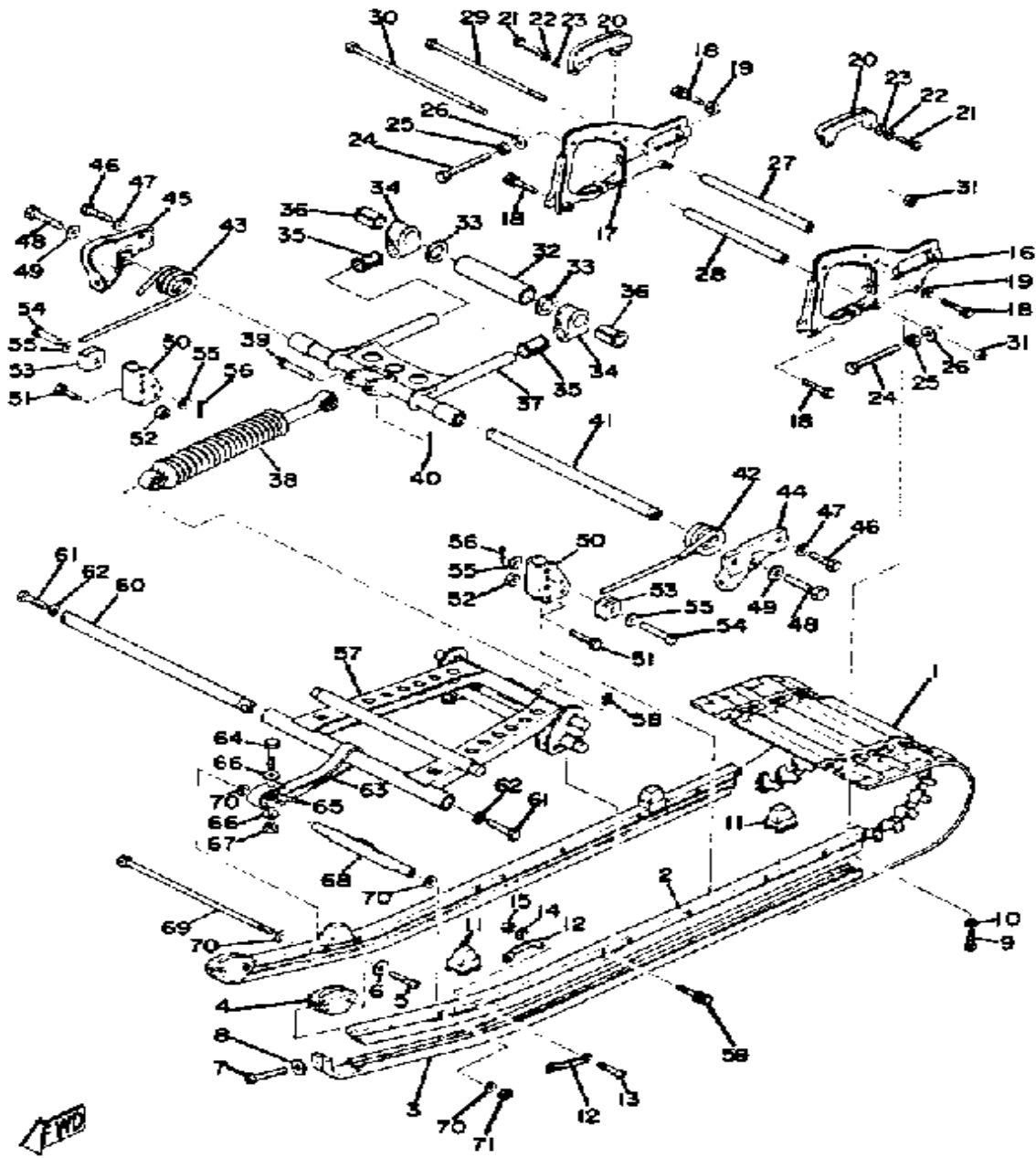


Ref. No.	Part Number	Description	Qty	Remarks
28	90387-08496-00	COLLAR	1	
29	97321-08245-00	BOLT, HEXAGON (97101-08245)	1	
30	90101-08374-00	BOLT	1	
31	95611-08100-00	NUT, U	2	
32	(90387-25471-00)	COLLAR	1	
33	90201-25499-00	WASHER, PLATE	2	
34	885-47441-00-00	SLIDER 1	2	
35	90386-19081-00	BUSH, SPEC"L NYLON	2	
36	(90386-25082-00)	BUSH, SPEC"L NYLON	2	
37	(890-47332-00-00)	ARM, PIVOT 2	1	
38	8E7-47480-00-00	SHOCK ABSORBER	1	
39	90240-12115-00	PIN, CLEVIS	2	
40	91401-30030-00	PIN, COTTER	2	
41	(899-47475-00-00)	SHAFT 2	1	
42	90508-95256-00	SPRING, TORSION	1	
43	90508-95257-00	SPRING, TORSION	1	
44	(890-47426-00-00)	BRACKET, REAR 1	1	
45	(890-47425-00-00)	BRACKET, REAR 2	1	
46	97313-08018-00	BOLT, HEXAGON (97301-08016)	4	
47	90208-08011-00	WASHER, CONICAL SPRING ..	4	
48	97013-10030-00	BOLT (8J7) (97303-10030)	2	
49	90208-10012-00	WASHER, CONICAL SPRING ..	2	
50	890-47463-00-00	BRACKET 5	2	
51	97313-08035-00	BOLT, HEXAGON	4	
52	95611-08100-00	NUT, U	4	
53	890-47447-00-00	HOOK 2	2	
54	90249-12113-00	PIN	2	
55	90201-122A7-00	WASHER, PLATE	4	
56	91401-30030-00	PIN, COTTER	2	

CONTINUED ON NEXT FRAME ➤

Property of www.SmallEngineDiscount.com - Not for Resale

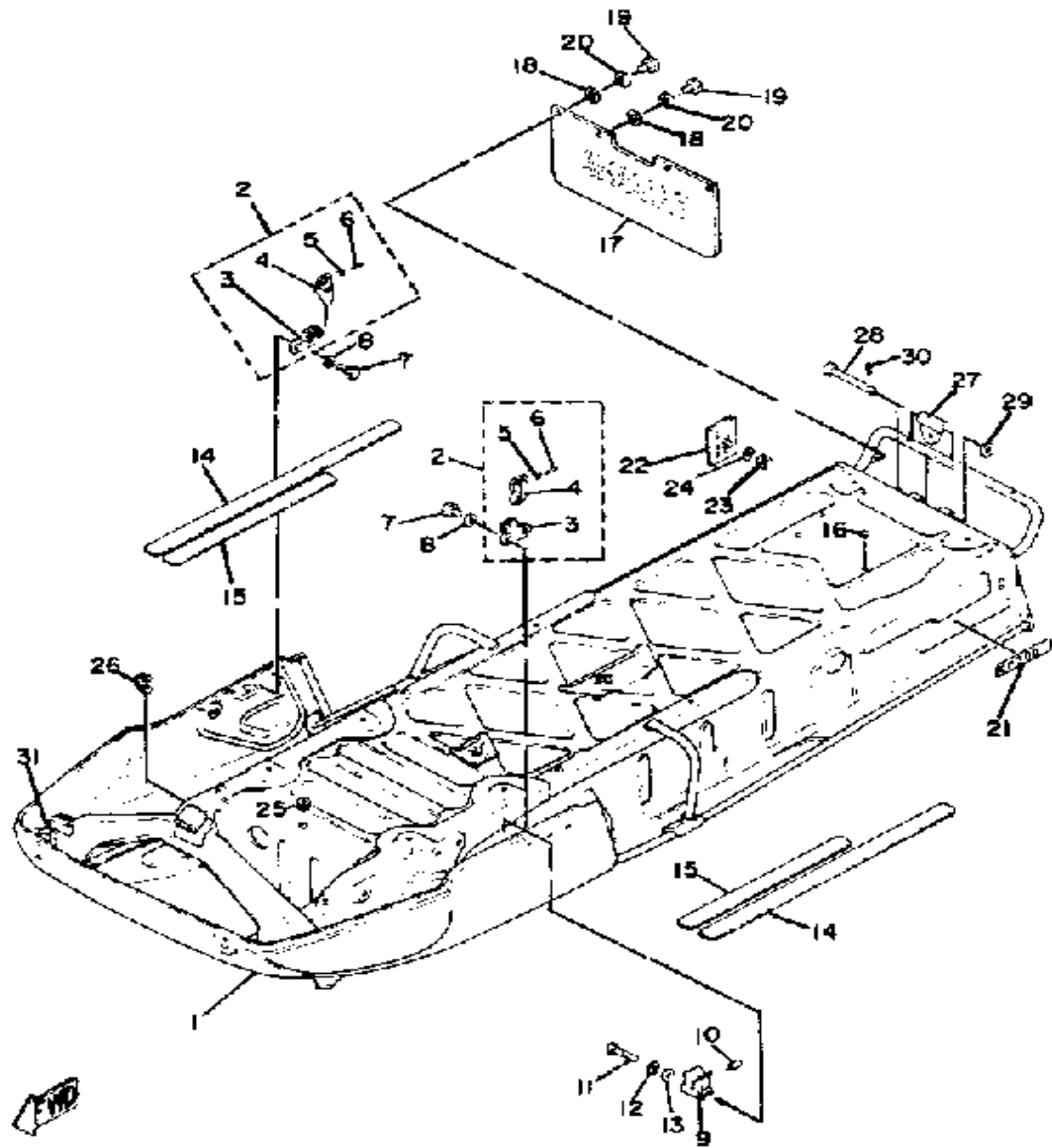
TRACK SUSPENSION



Ref. No.	Part Number	Description	Qty	Remarks
57	(890-47331-10-00)	ARM, PIVOT 1	1	
58	93700-06M03-00	NIPPLE, GREASE	1	
59	90119-08008-00	BOLT, WITH WASHER	4	
60	899-47465-00-00	SHAFT 1	1	
61	97013-10030-00	BOLT (8J7) (97303-10030)	2	
62	90208-10012-00	WASHER, CONICAL SPRING	2	
63	890-47495-01-00	STOPPER 1	1	
64	97021-06030-00	BOLT	1	
65	90201-06407-00	WASHER, PLATE (90201-06747-00)	2	
66	90201-06072-00	WASHER, PLATE	2	
67	95601-06100-00	NUT, U	1	
68	899-47415-00-00	BRACKET 1	1	
69	90101-08374-00	BOLT	1	
70	92901-08600-00	WASHER	4	
71	95611-08100-00	NUT, U	1	

Property of www.SmallEngineDiscount.com - Not for Resale

FRAME

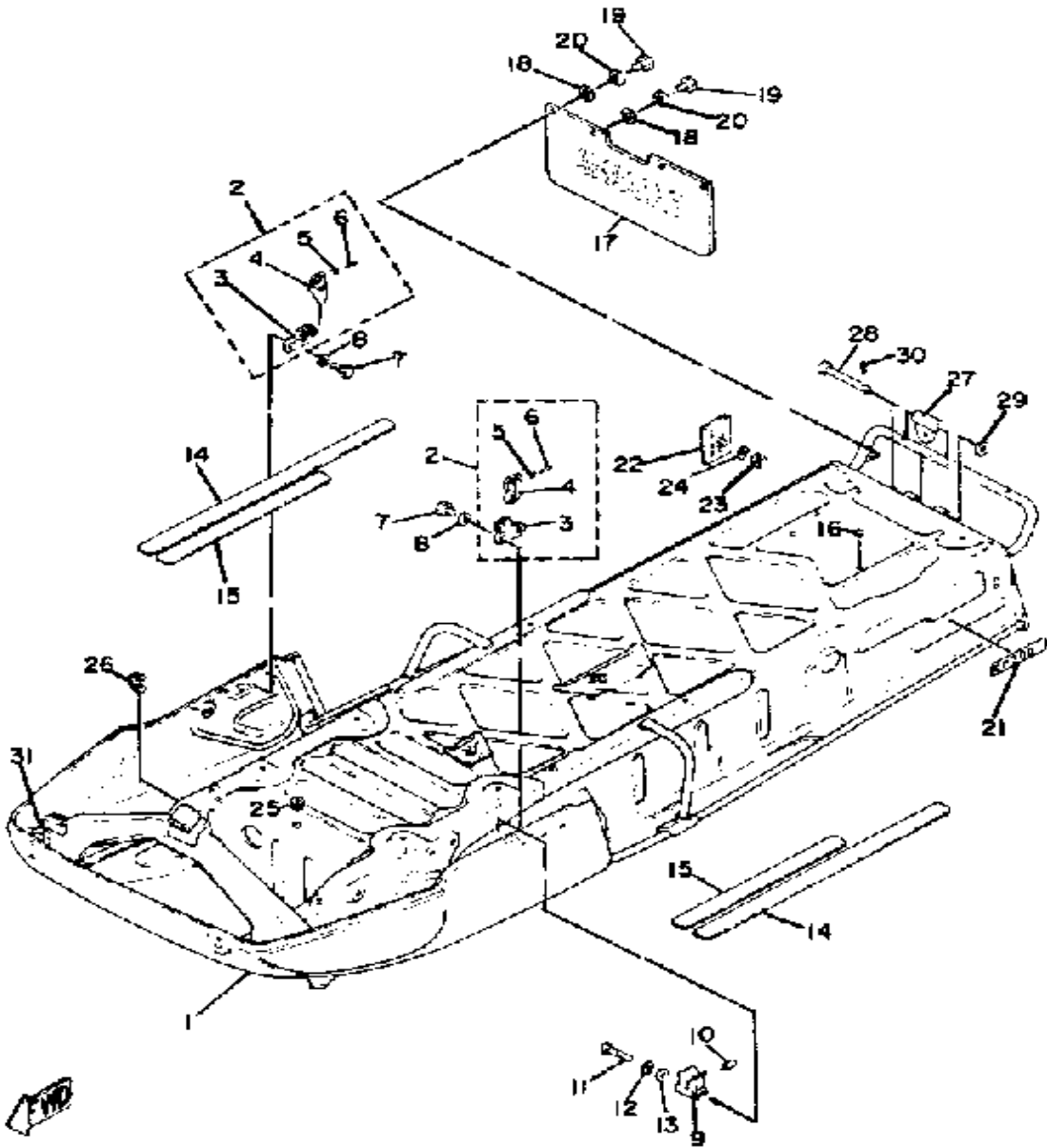


Ref. No.	Part Number	Description	Qty	Remarks
1	(899-21910-00-00)	FRAME	1	
2	806-77170-00-00	LATCH ASSEMBLY	2	
3	(806-77172-00-00)	BODY, LATCH 2	2	
4	806-77173-00-00	. LEVER, LATCH 1	2	
5	90508-10012-00	. SPRING, TORSION	2	
6	90249-04068-00	. PIN, SPECL SHAPE	2	
7	97313-06016-00	BOLT, HEXAGON	4	
8	92990-05100-00	WASHER, SPRING	4	
9	90464-09006-00	CLAMP	2	
10	821-77188-01-00	STOPPER	2	
11	97026-06045-00	BOLT	2	
12	92906-06100-00	WASHER, SPRING	2	
13	92906-06600-00	WASHER	2	
14	878-27413-00-00	COVER, FOOTREST	2	
15	878-27423-00-00	COVER, FOOTREST	2	
16	(867-21969-00-00)	COVER, NUT	2	
17	865-77595-00-00	FLAP	1	
18	90201-06697-00	WASHER, PLATE	4	
19	97313-06016-00	BOLT, HEXAGON	4	
20	92995-06100-00	WASHER, SPRING	4	
21	(899-77354-00-00)	EMBLEM 4	2	
22	(821-85131-00-00)	REFLECTOR, REAR 1	2	
23	90185-06040-00	NUT, SELF-LOCKING	2	
24	92990-06200-00	WASHER	2	
25	810-77716-00-00	ORNAMENT, INSTRUMENT PANEL 2	1	
26	(841-82591-00-00)	BAND	1	
27	802-77591-00-00	BRACKET, HITCH 1	1	
28	(91701-08102-00)	PIN, CLEVIS	1	

CONTINUED ON NEXT FRAME ►

Property of www.SmallEngineDiscount.com - Not for Resale

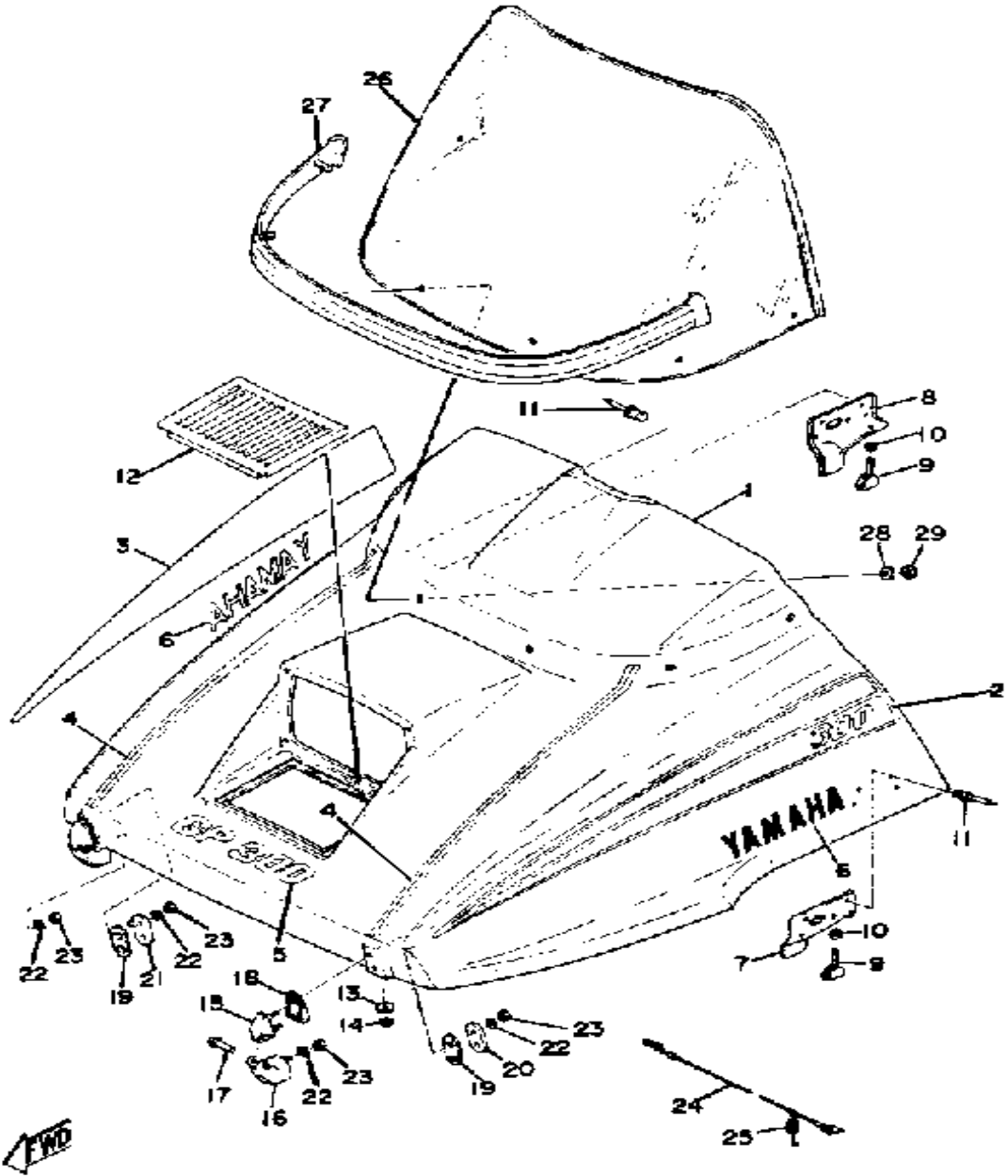
FRAME



Ref. No.	Part Number	Description	Qty	Remarks
29	92901-08600-00	WASHER	1	
30	91401-25020-00	PIN, COTTER	1	
31	25G-83936-01-00	BAND, SWITCH CORD	1	

Property of www.SmallEngineDiscount.com - Not for Resale

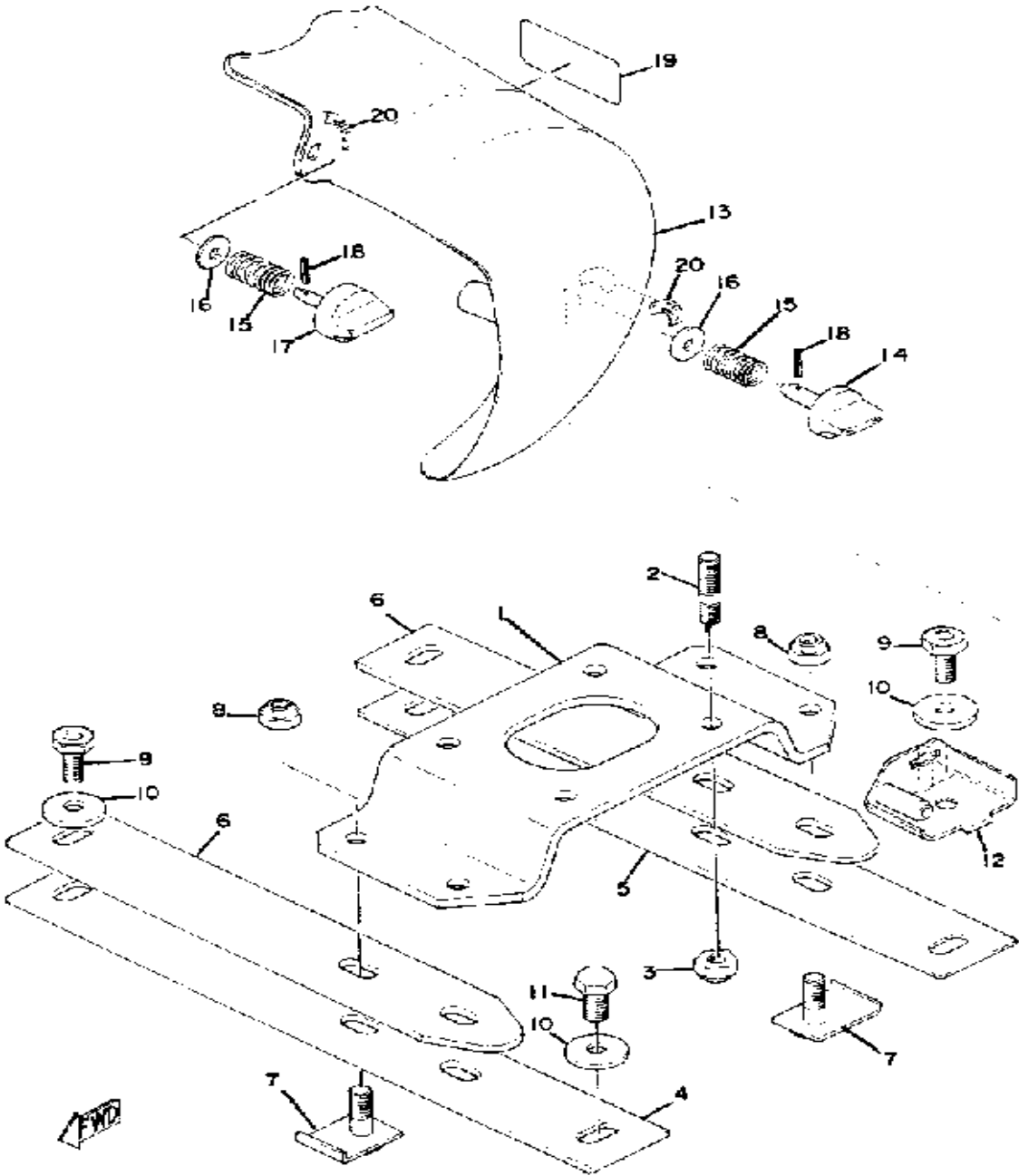
SHROUD



Ref. No.	Part Number	Description	Qty	Remarks
1	(864-77110-00-98)	SHROUD ASSEMBLY	1	
2	(899-77163-00-00)	ORNAMENT 1	1	
3	899-77164-00-00	ORNAMENT 2	1	
4	899-77169-00-00	ORNAMENT 3	2	
5	(899-77356-00-00)	EMBLEM 6	1	
6	(838-77357-00-00)	EMBLEM 7	2	
7	(841-77136-00-00)	CLAMP 2	1	
8	(841-77138-00-00)	CLAMP 4	1	
9	(878-77171-00-00)	BODY, LATCH 1	2	
10	95380-06600-00	NUT	2	
11	90267-40M00-00	RIVET, BLIND	8	
12	853-77131-00-00	LOUVER 1	1	
13	838-77143-00-00	EMBLEM 3	2	
14	90183-05003-00	NUT, SPRING	2	
15	(841-77140-00-00)	HINGE ASSEMBLY	2	
16	(841-77147-00-00)	HINGE 3	2	
17	90243-05003-00	PIN	2	
18	841-77199-00-00	DAMPER 2	2	
19	(841-77198-00-00)	DAMPER 1	2	
20	(841-77153-00-00)	PLATE, BACK UP 1	1	
21	(841-77154-00-00)	PLATE, BACK UP 2	1	
22	92995-06100-00	WASHER, SPRING	6	
23	95380-06600-00	NUT	6	
24	8E4-77118-00-00	STOPPER, SHROUD	1	
25	838-77159-00-00	CLAMP, ROD	1	
26	(898-77210-00-00)	WINDSHIELD	1	
27	(898-77220-00-00)	TRIM LOWER ASSEMBLY	1	
28	90201-05036-00	WASHER, PLATE	5	
29	95601-05100-00	NUT, U	6	

Property of www.SmallEngineDiscount.com - Not for Resale

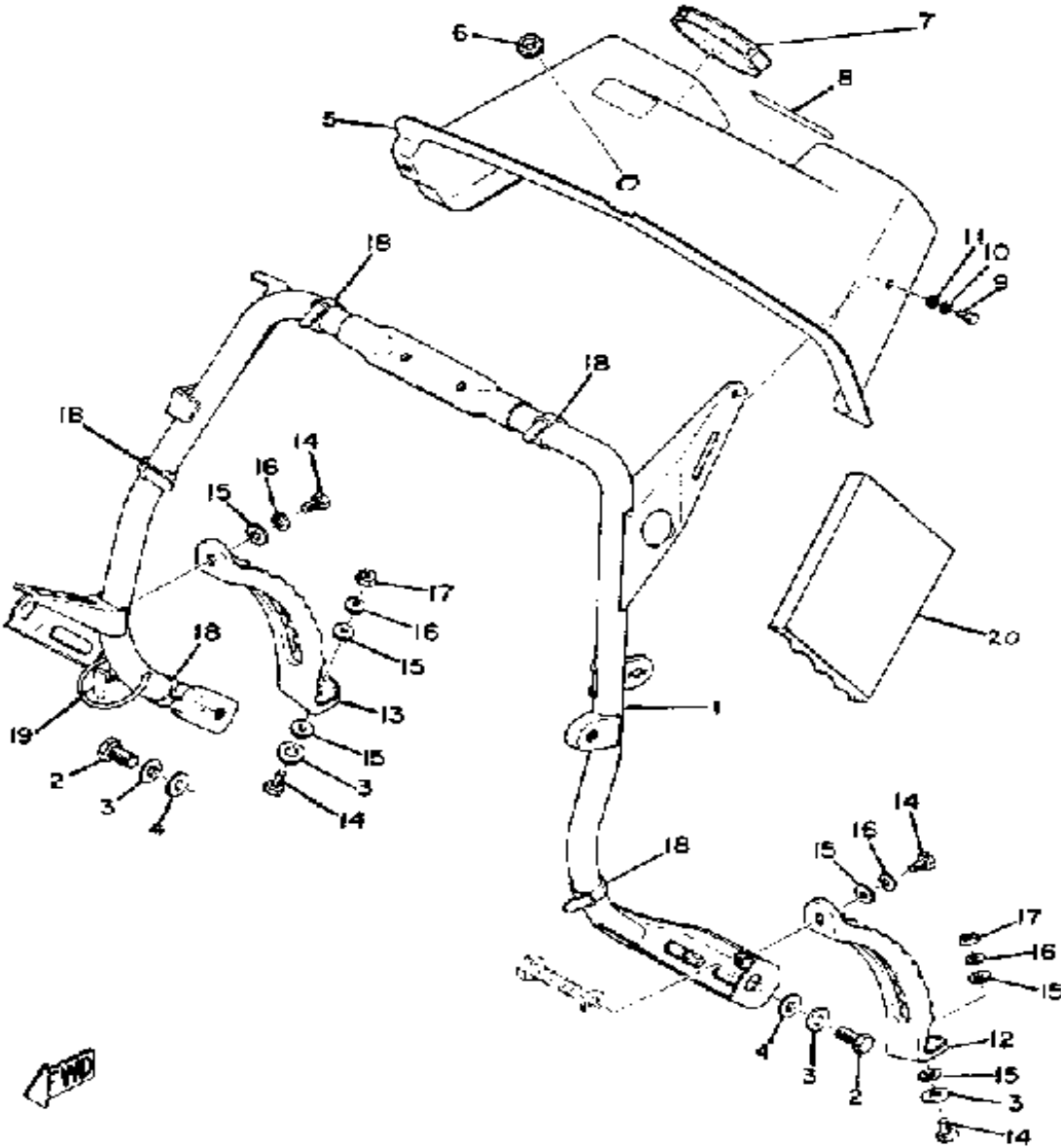
ENGINE BRACKET



Ref. No.	Part Number	Description	Qty	Remarks
1	(839-21411-01-00)	BRACKET, ENGINE 1	1	
2	(90116-10084-00)	BOLT, STUD	4	
3	90185-10030-00	NUT, SELF-LOCKING	4	
4	(839-21419-01-00)	BRACKET, ENGINE 2	1	
5	839-21429-01-00	BRACKET, ENGINE 3	1	
6	(839-21489-00-00)	BRACKET, ENG LOWER	2	
7	(839-21482-00-00)	BOLT, ENG MNTNG 2	4	
8	90185-10030-00	NUT, SELF-LOCKING	4	
9	(90101-10057-00)	BOLT	3	
10	90208-10013-00	WASHER, CONICAL SPR	4	
11	(90106-10015-00)	BOLT, DOME HEAD	1	
12	844-77315-00-00	BRACKET 1	1	
13	(844-77311-00-00)	GUARD, DRIVE	1	
14	844-77324-00-00	KNOB	1	
15	90501-16103-00	SPRING, COMPRESSION	2	
16	90201-08104-00	WASHER, PLATE	2	
17	(829-77324-00-00)	KNOB	1	
18	91609-40018-00	PIN, SPRING	2	
19	(829-77365-00-00)	EMBLEM 0	1	
20	(829-77367-00-00)	EMBLEM 2	2	

Property of www.SmallEngineDiscount.com - Not for Resale

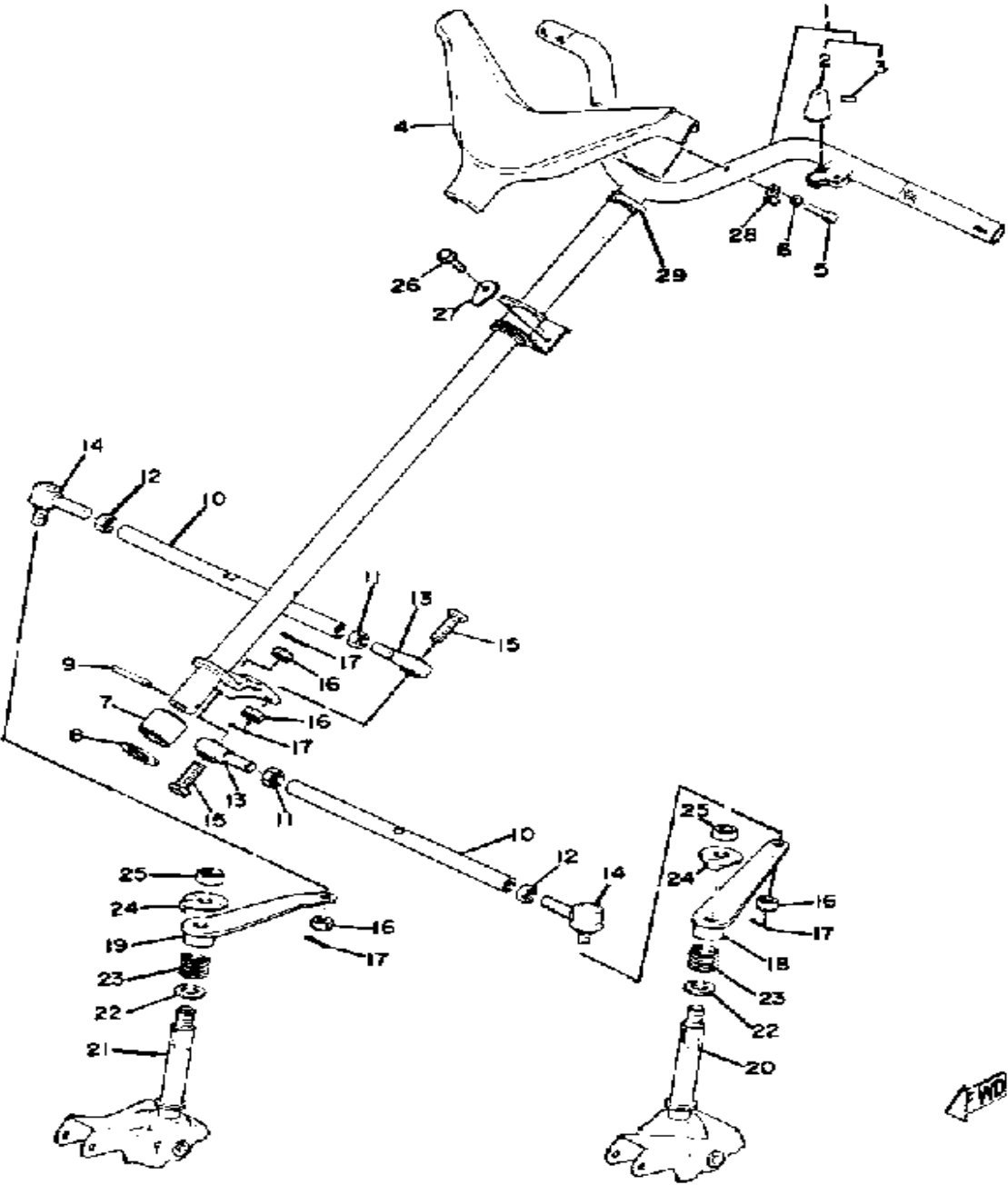
STEERING GATE



Ref. No.	Part Number	Description	Qty	Remarks
1	(867-23870-01-00)	STEERING GATE	1	
2	97306-08018-00	BOLT, HEXAGON (97206-08018)	2	
3	90201-08624-00	WASHER, PLATE	4	
4	(861-23895-00-00)	WASHER, LOCK 2	2	
5	(897-77711-00-00)	PANEL, INSTRUMENT	1	
6	90480-13018-00	GROMMET	1	
7	(861-77715-00-00)	ORMNT, INSTR PNL 1	1	
8	888-77744-00-00	INDICATOR 4	1	
9	(97306-05012-00)	BOLT, HEXAGON	2	
10	92906-05100-00	WASHER, SPRING	2	
11	92906-05600-00	WASHER, PLATE	2	
12	(841-27411-00-00)	FOOTREST 1	1	
13	(841-27421-00-00)	FOOTREST 2	1	
14	97313-06016-00	BOLT, HEXAGON	4	
15	92901-06600-00	WASHER	6	
16	92995-06100-00	WASHER, SPRING	4	
17	95380-06600-00	NUT	2	
18	437-83936-11-00	BAND, SWITCH CORD	5	
19	J45-83936-00-00	BAND, SWITCH CORD	1	
20	(899-77275-00-00)	DAMPER, NOISE 5	1	

Property of www.SmallEngineDiscount.com - Not for Resale

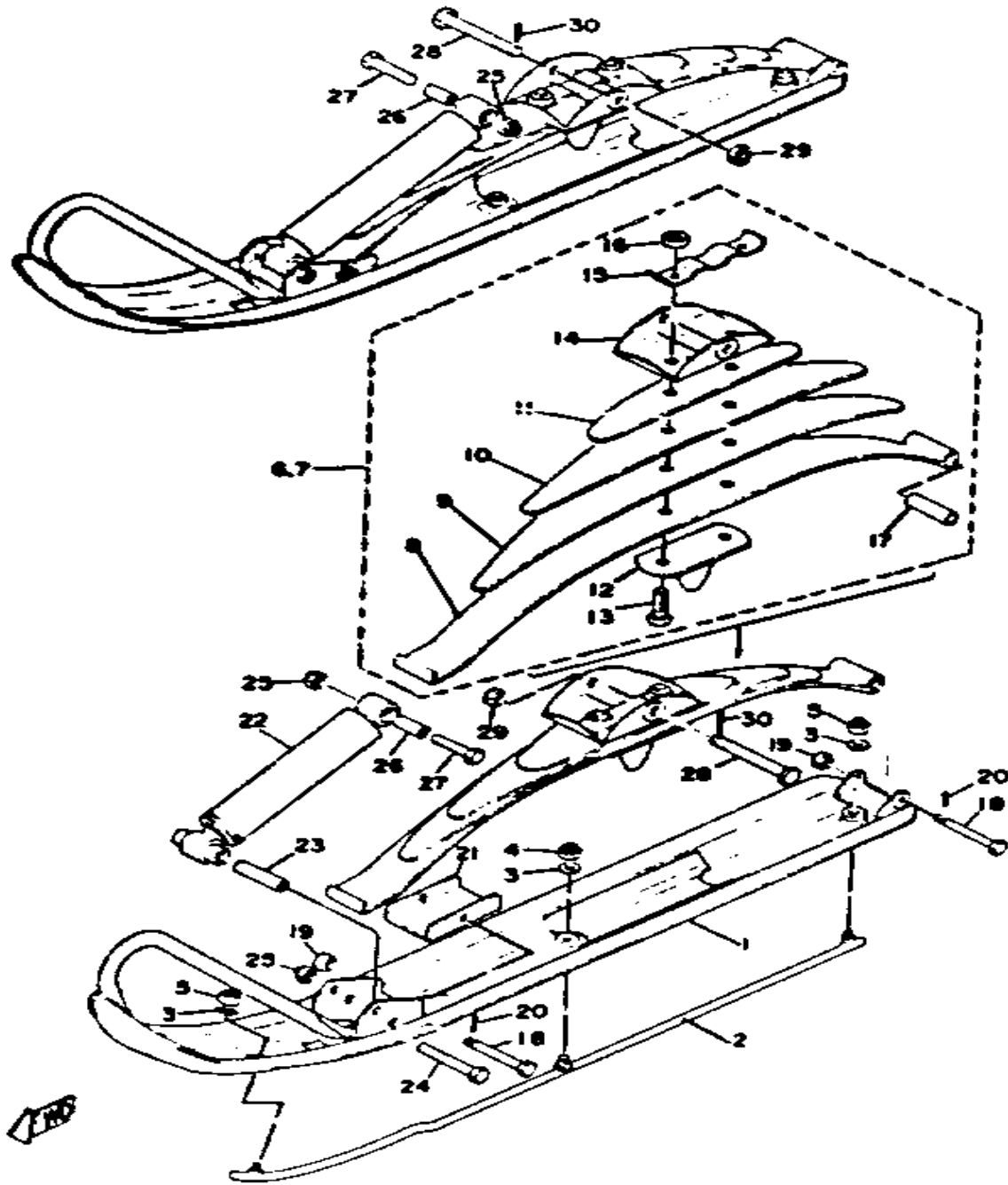
STEERING



Ref. No.	Part Number	Description	Qty	Remarks
1	(861-23810-01-00)	STRG COLUMN ASSEMBLY ..	1	
2	(803-83965-00-00)	LEVER, LOCK	1	
3	(90249-04022-00)	PIN, SPEC'L SHAPE	1	
4	(863-23815-01-00)	PAD, STEERING	1	
5	98501-05035-00	SCREW, PAN HEAD	2	
6	92990-05100-00	WASHER, SPRING	2	
7	(806-23875-00-00)	BEARING, STRG LOWER	1	
8	(841-23812-01-00)	BEARING, STEERING	1	
9	91609-60045-00	PIN, SPRING	1	
10	(861-23821-00-00)	ROD, STEERING RELAY	2	
11	90170-12055-00	NUT	2	
12	90170-12054-00	NUT	2	
13	861-23841-00-00	JOINT, UNIVERSAL 1	2	
14	(821-23845-90-00)	JOINT, UNIVERSAL 2	2	
15	90109-10409-00	BOLT	2	
16	95303-10900-00	NUT, SLOTTED	4	
17	91401-25020-00	PIN, COTTER	4	
18	861-23851-01-00	ARM, OUTSIDE 1	1	
19	861-23852-01-00	ARM, OUTSIDE 2	1	
20	(899-23853-00-00)	COLUMN, SKI 1	1	
21	(899-23854-00-00)	COLUMN, SKI 2	1	
22	90560-20037-00	SPACER	2	
23	90501-35154-00	SPRING, COMPRESSION	2	
24	90215-12031-00	WASHER, LOCK (810-23857-00)	2	
25	95303-12600-00	NUT	2	
26	97011-06020-00	BOLT	2	
27	(90215-06038-00)	WASHER, LOCK	2	
28	(90462-08003-00)	CLAMP	2	
29	J45-83936-00-00	BAND, SWITCH CORD	1	

Property of www.SmallEngineDiscount.com - Not for Resale

SKI

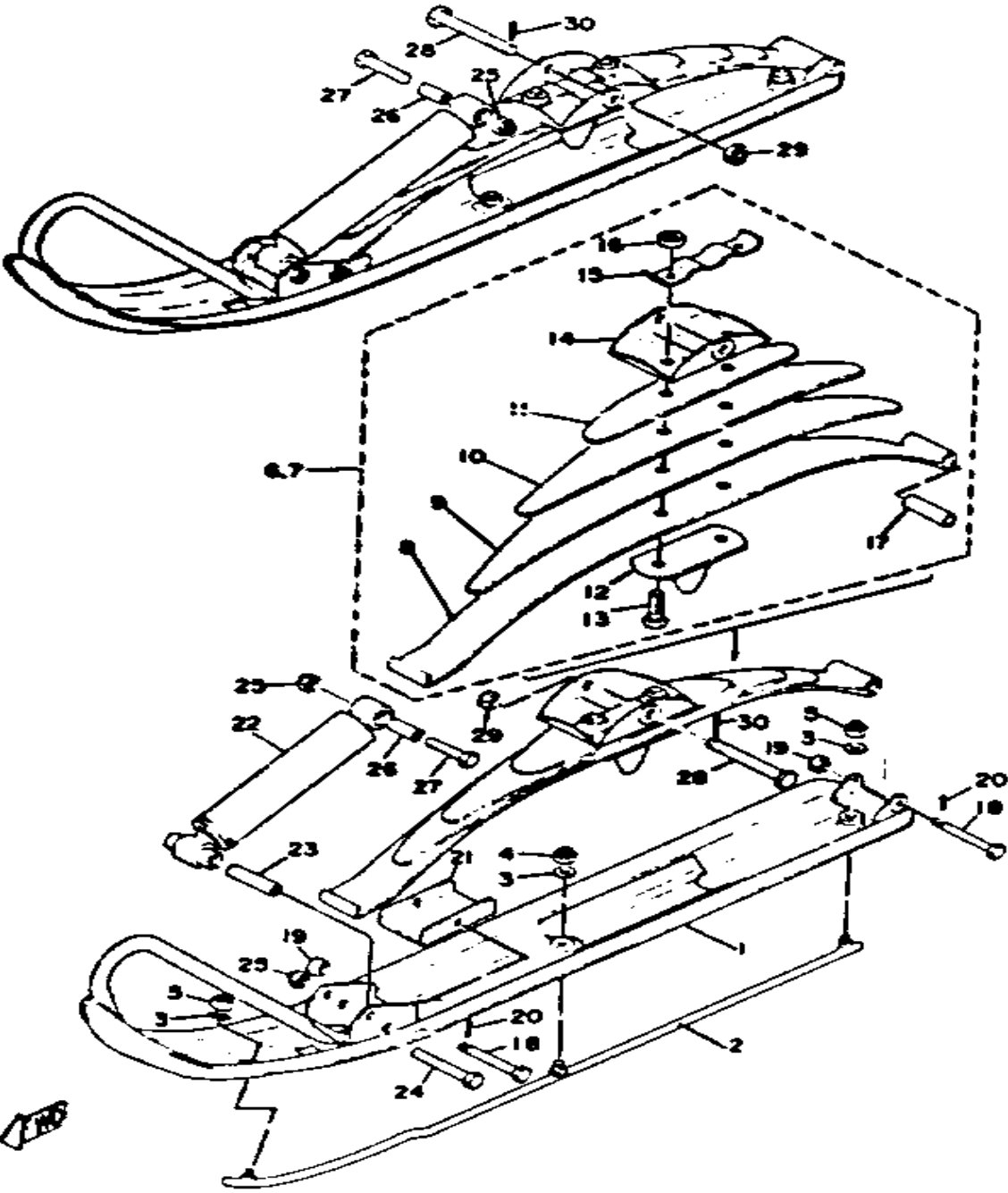


Ref. No.	Part Number	Description	Qty	Remarks
1	8E3-23710-09-00	SKI COMP. 1	2	
2	(899-23770-00-00)	SPRING ASSEMBLY 2	1	
	890-23731-01-00	RUNNER 1	2	
3	92901-08600-00	WASHER	6	
4	90185-08055-00	NUT, SELF-LOCKING	2	
5	95611-08100-00	NUT, U	4	
6	899-23760-00-00	SPRING ASSEMBLY 1	1	
8	888-23761-00-00	. LEAF 1	2	
9	865-23762-00-00	. LEAF 2	2	
10	899-23763-00-00	. LEAF 3	2	
11	899-23764-00-00	. LEAF 4	2	
12	878-23768-00-00	. SEAT, SPRING 1	2	
13	90109-105E7-00	. BOLT	4	
14	(841-23766-00-00)	SADDLE 1	2	
15	90215-10155-00	. WASHER, LOCK	2	
16	95701-10500-00	. NUT, FLANGE (95702-10500)	4	
17	90387-08478-00	. COLLAR	2	
18	90102-08025-00	BOLT, WITH HOLE	4	
19	95301-08900-00	NUT, SLOTTED (98801-08500)	4	
20	91490-20020-00	PIN, COTTER	4	
21	888-23735-00-00	PLATE, WEAR 1	2	
22	8F7-23350-00-00	SHOCK ABSORBER ASSEMBLY	2	
23	90387-08224-00	COLLAR	2	
24	97021-08070-00	BOLT	2	
25	90185-08055-00	NUT, SELF-LOCKING	4	
26	90387-08223-00	COLLAR	2	
27	97313-08045-00	BOLT	2	
28	90102-10024-00	BOLT, WITH HOLE	2	

CONTINUED ON NEXT FRAME ►

Property of www.SmallEngineDiscount.com - Not for Resale

SKI

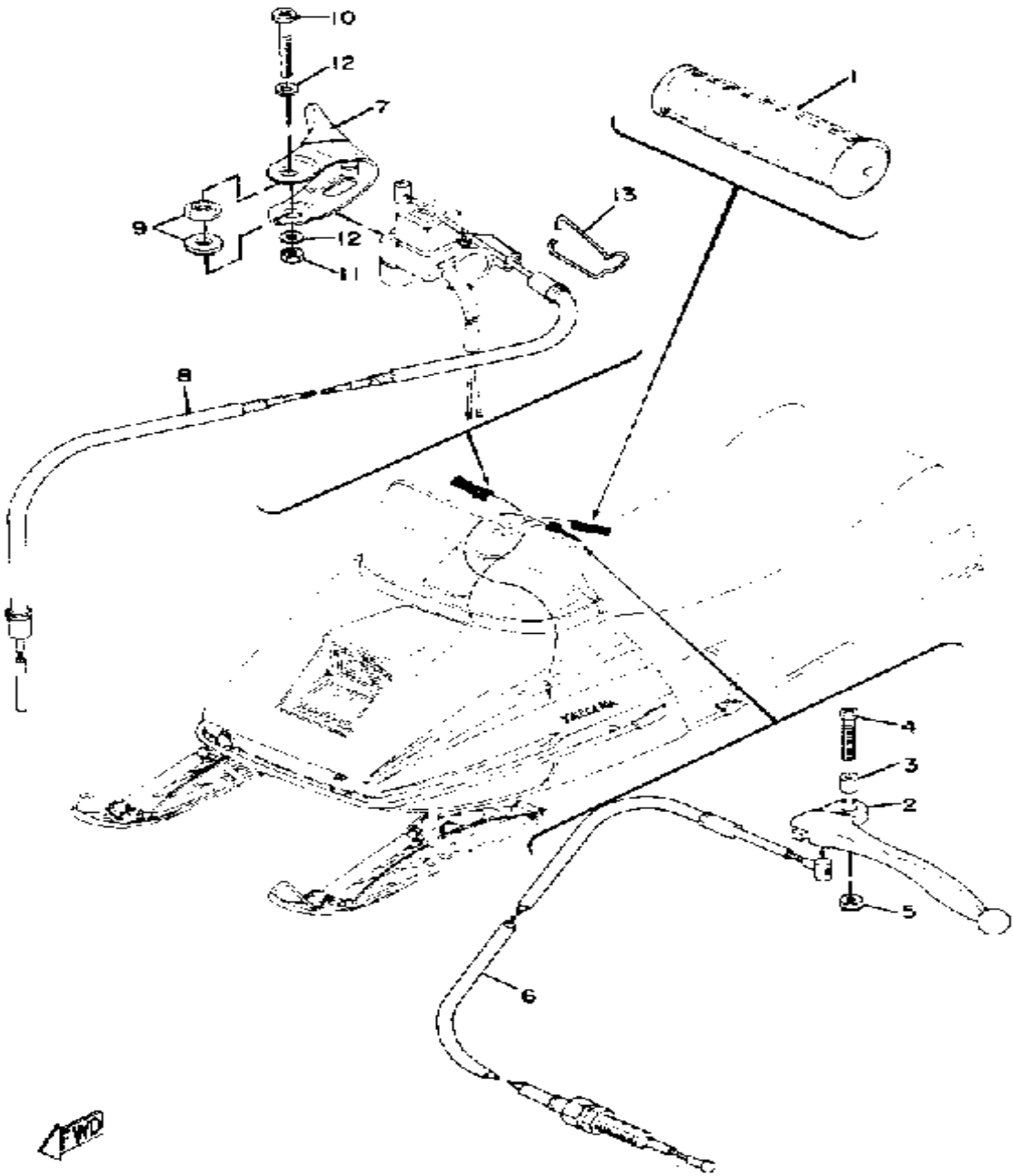


Ref. No.	Part Number	Description	Qty	Remarks
29	95306-10900-00	NUT, SLOTTED	2	
30	91401-25020-00	PIN, COTTER	2	

Property of www.SmallEngineDiscount.com - Not for Resale

C10

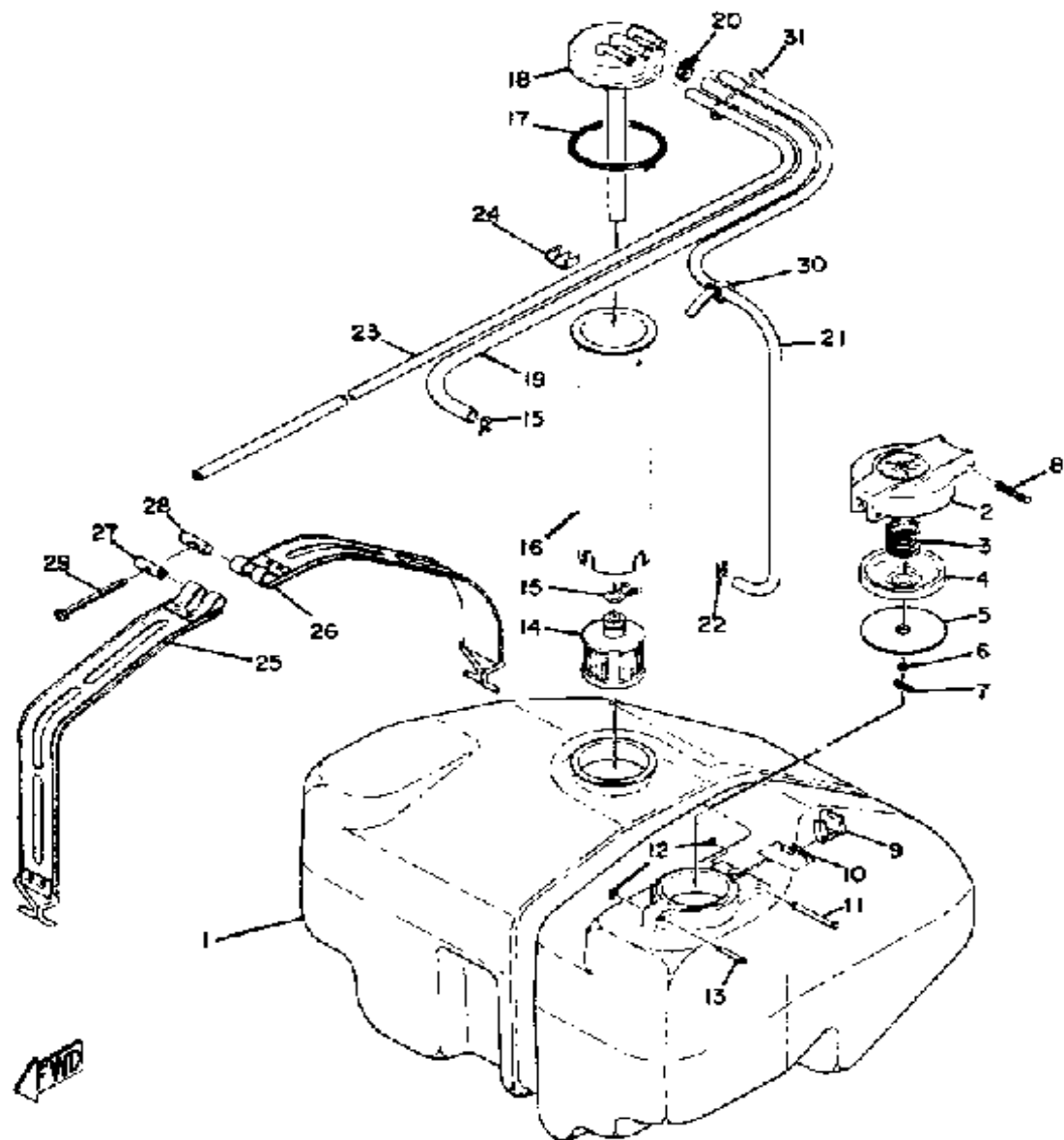
GRIP WIRING



Ref. No.	Part Number	Description	Qty	Remarks
1	801-26241-01-00	GRIP	2	
2	803-83912-00-38	LEVER 1	1	
3	802-83913-00-00	COLLAR, LEVER 1	1	
4	(849-83915-00-00)	SCREW, LVR FITTING	1	
5	95601-05100-00	NUT, U	1	
6	861-26340-02-00	CABLE, BRAKE	1	
7	8G8-42138-00-00	. LEVER, THROTTLE	1	
	90387-06681-00	. COLLAR	2	
	98580-06550-00	. SCREW PAN HEAD (92503-06050)	1	
	99999-01028-00	THROTTLE LEVER	1	
8	863-26311-03-00	CABLE THROTTLE 1	1	
9	90387-062M9-00	COLLAR	2	
10	90157-06004-00	SCREW, PAN HEAD (810-83925-00)	1	
11	95601-06100-00	NUT, U	1	
12	92901-06600-00	WASHER	2	
13	90468-10017-00	CLIP (821-26391-00)	1	

Property of www.SmallEngineDiscount.com - Not for Resale

FUEL TANK



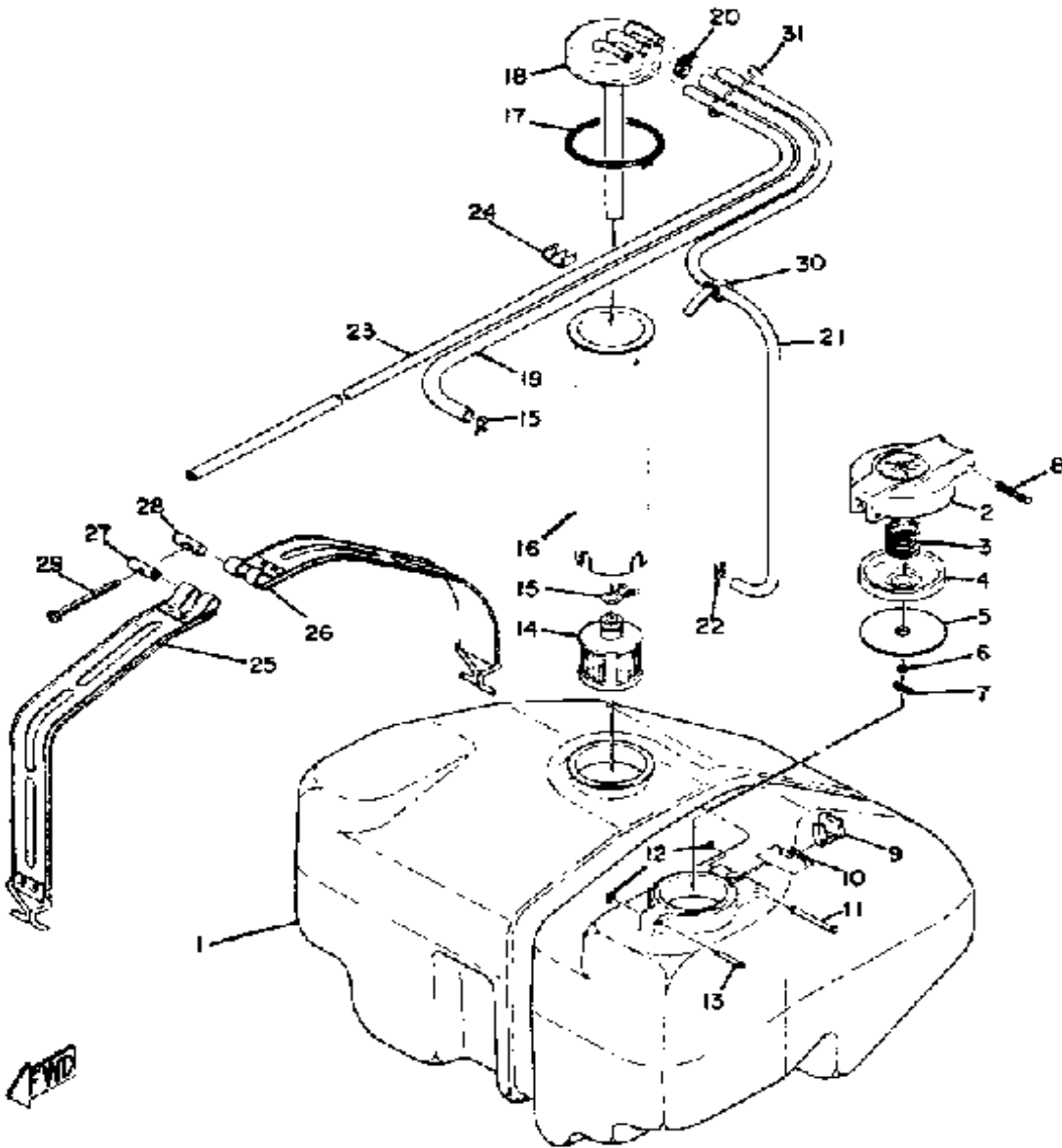
Ref. No.	Part Number	Description	Qty	Remarks
1	865-24111-00-00	FUEL TANK	1	
2	813-24611-01-00	BODY, CAP	1	
3	90501-20130-00	SPRING, COMPRESSION	1	
4	813-24613-01-00	DISC, CAP	1	
5	256-24612-00-00	GASKET, CAP	1	
6	93210-04122-00	O-RING	1	
7	91609-30016-00	PIN, SPRING	1	
8	91609-25032-00	PIN, SPRING	1	
9	83M-24628-00-00	HOOK	1	
10	90508-08003-00	SPRING, TORSION (813-24637-00)	1	
11	90249-03016-00	PIN, SPEC'L SHAPE	1	
12	93430-02001-00	CIRCLIP	2	
13	90249-03017-00	PIN	1	
14	8H5-24560-00-00	FILTER ASSEMBLY	1	
15	90467-11009-00	CLIP	2	
16	865-24336-00-00	PIPE, SUCTION 2	1	
17	90506-06065-00	SPRING, TENSION	1	
18	(865-24335-00-00)	PIPE, SUCTION 1	1	
19	(90446-11035-00)	HOSE	1	
20	90460-11002-00	CLAMP, HOSE	1	
21	90446-09051-00	HOSE (806-24319-00)	1	
22	90460-09001-00	CLAMP, HOSE	1	
23	90446-09057-00	HOSE	1	
24	90468-15020-00	CLIP	2	
25	96524-17300-00	UNAVAILABLE IN PRICE BOOK	1	
26	(865-24199-00-00)	BAND, TNK FITTING 2	1	
27	806-24135-00-00	CLAMP 1	1	
28	90179-05030-00	NUT, SPEC'L SHAPE (806-24146-00)	1	

CONTINUED ON NEXT FRAME ➤

Property of www.SmallEngineDiscount.com - Not for Resale

C12

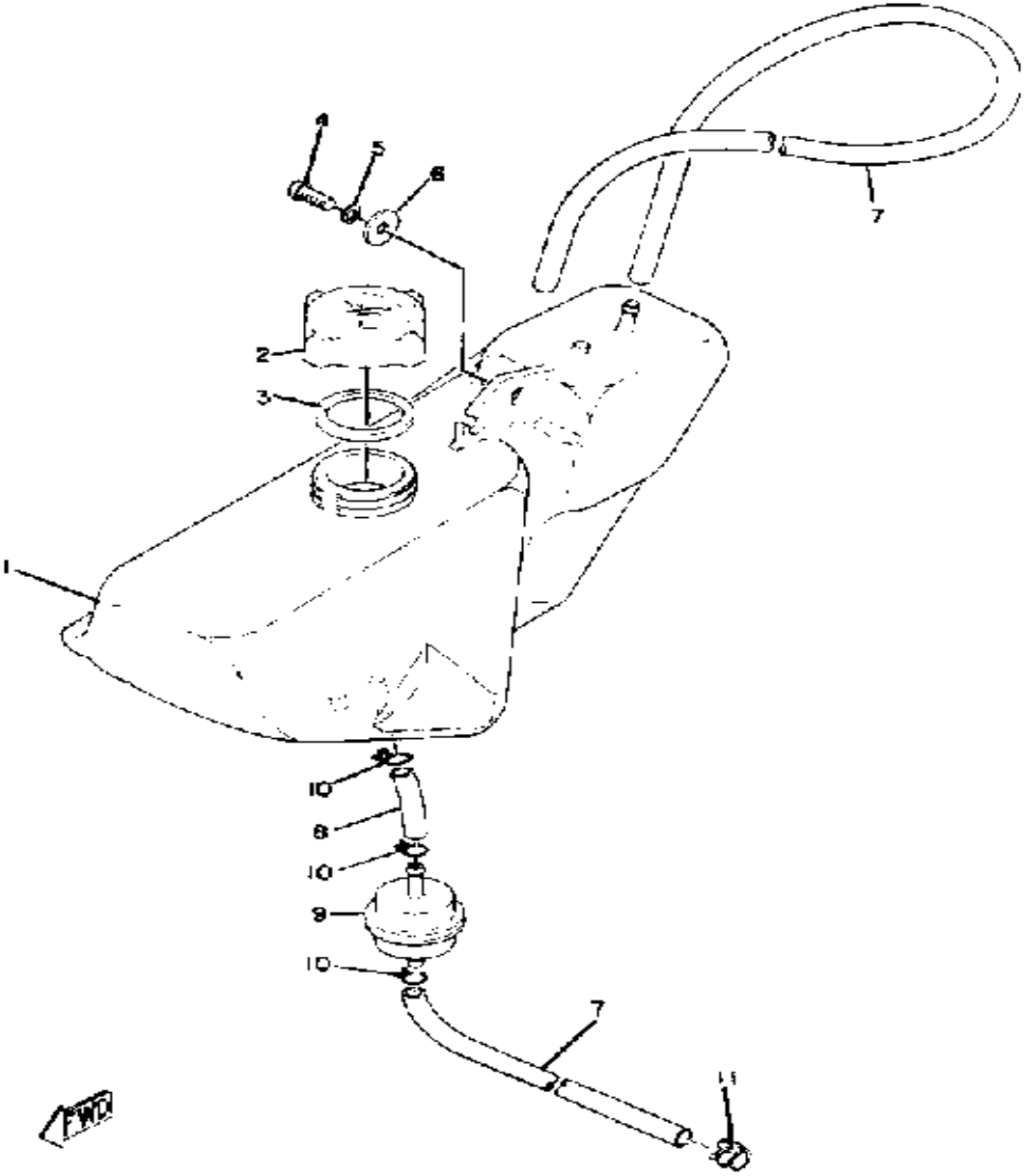
FUEL TANK



Ref. No.	Part Number	Description	Qty	Remarks
29	90149-05006-00	SCREW, SPEC'L SHAPE (821-24176-00)	1	
30	J45-83936-00-00	BAND, SWITCH CORD	1	
31	(90465-11025-00)	CLAMP	1	

Property of www.SmallEngineDiscount.com - Not for Resale

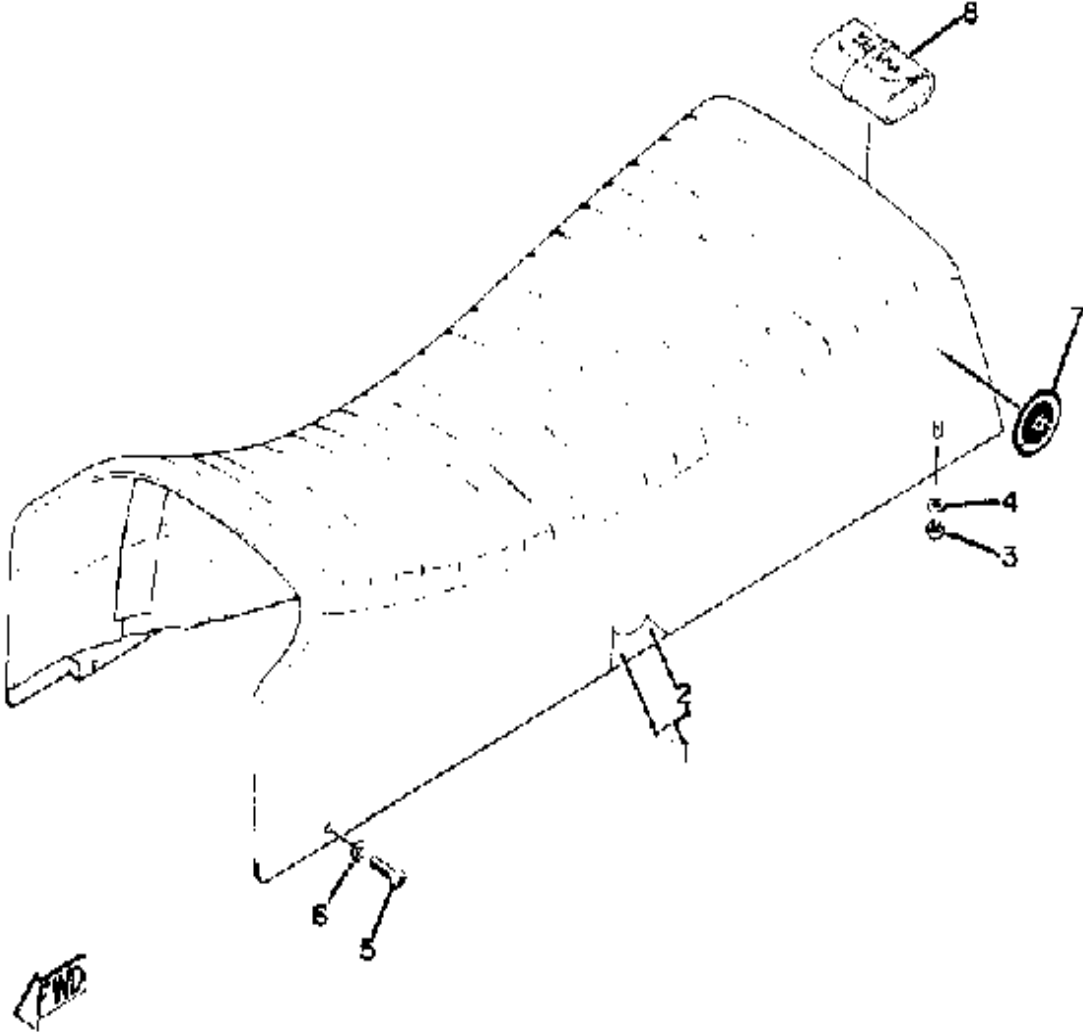
OIL TANK



Ref. No.	Part Number	Description	Qty	Remarks
1	867-21751-00-00	TANK, OIL	1	
2	863-21771-00-00	BODY, CAP	1	
3	90430-31003-00	GASKET	1	
4	98580-05016-00	SCREW, PAN HEAD	1	
5	92990-05100-00	WASHER, SPRING	1	
6	90201-05036-00	WASHER, PLATE	1	
7	90446-08014-00	UNAVAILABLE IN PRICE BOOK	2	
8	90446-09052-00	HOSE	1	
9	J10-13410-00-00	STRAINER HSNG ASSEMBLY .	1	
10	90467-09005-00	CLIP, SCISSOR	3	
11	90460-09001-00	CLAMP, HOSE	1	

Property of www.SmallEngineDiscount.com - Not for Resale

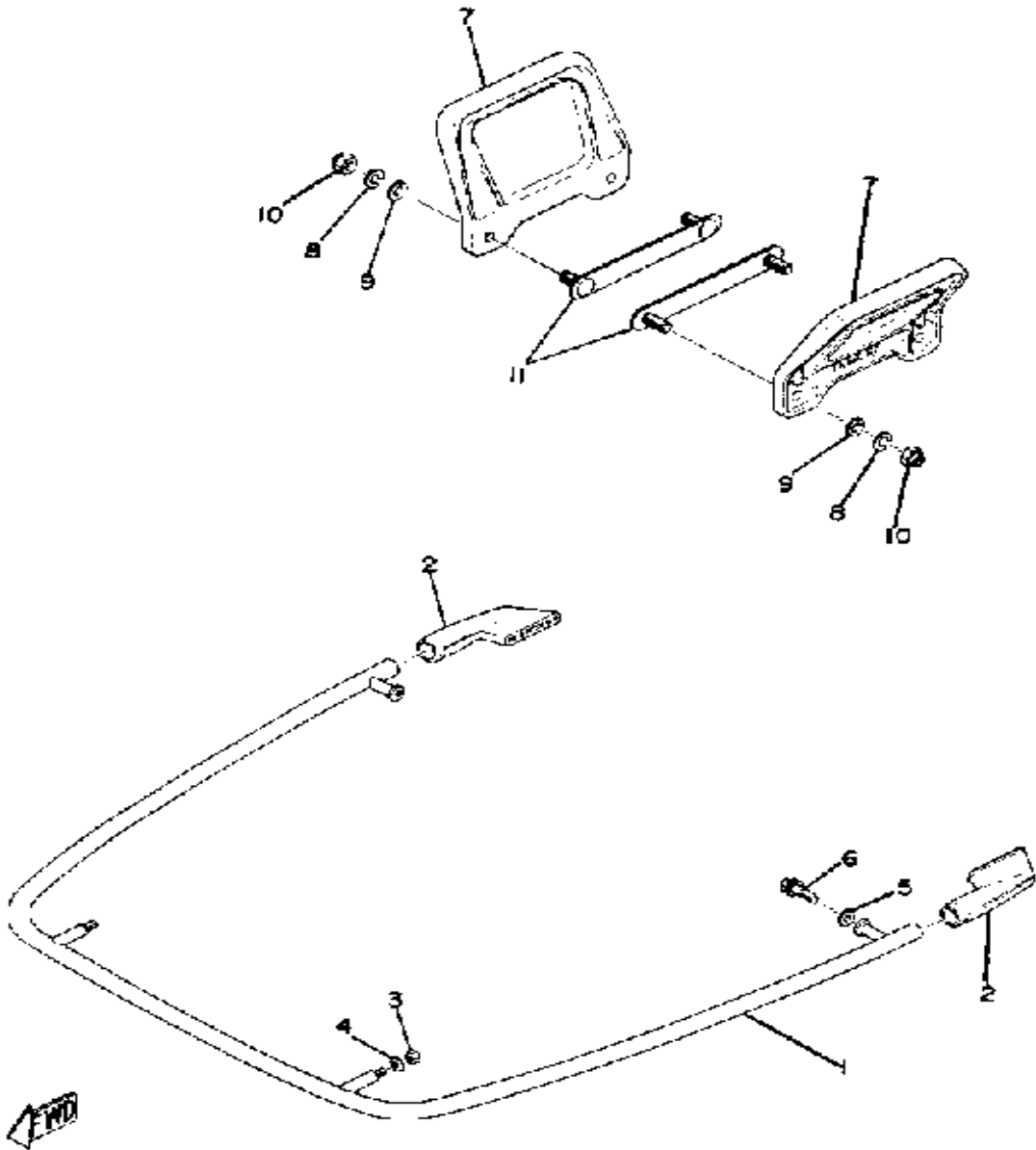
SEAT



Ref. No.	Part Number	Description	Qty	Remarks
1	(899-24730-00-00)	DOUBLE SEAT ASSEMBLY ...	1	
2	(899-24731-00-00)	COVER, DOUBLE SEAT	1	
3	95611-08100-00	NUT, U	2	
4	92901-08600-00	WASHER	2	
5	90159-06015-00	SCREW, WITH WASHER	2	
6	90201-06059-00	WASHER, PLATE	2	
7	821-77352-00-00	EMBLEM 2	2	
8	(898-28100-10-00)	TOOL KIT	1	

Property of www.SmallEngineDiscount.com - Not for Resale

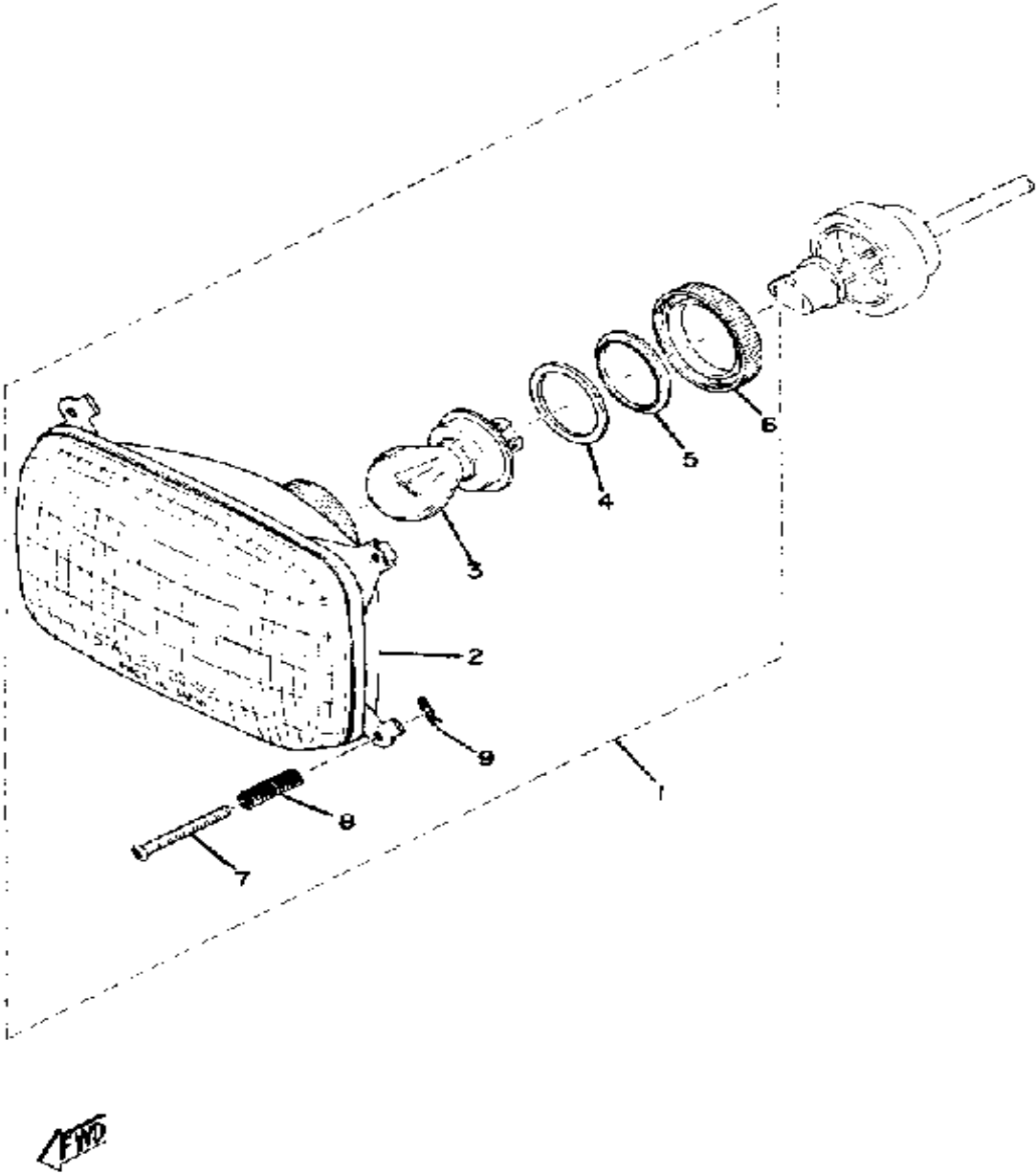
BUMPER



Ref. No.	Part Number	Description	Qty	Remarks
1	853-77510-00-00	FRONT BUMPER	1	
2	838-77523-00-00	END, BUMPER	2	
3	95333-08600-00	NUT	2	
4	92990-08100-00	WASHER	2	
5	(90201-08456-00)	WASHER, PLATE	2	
6	97306-08040-00	BOLT, HEXAGON	2	
7	FJ0-63771-30-00	GRIP, ASSIST	2	
8	92990-08100-00	WASHER	4	
9	90201-08107-00	WASHER, PLATE	4	
10	95303-08800-00	NUT (CROWN) (95301-08800) .	4	
11	898-77476-00-00	UNAVAILABLE IN PRICE BOOK	2	

Property of www.SmallEngineDiscount.com - Not for Resale

HEAD LAMP

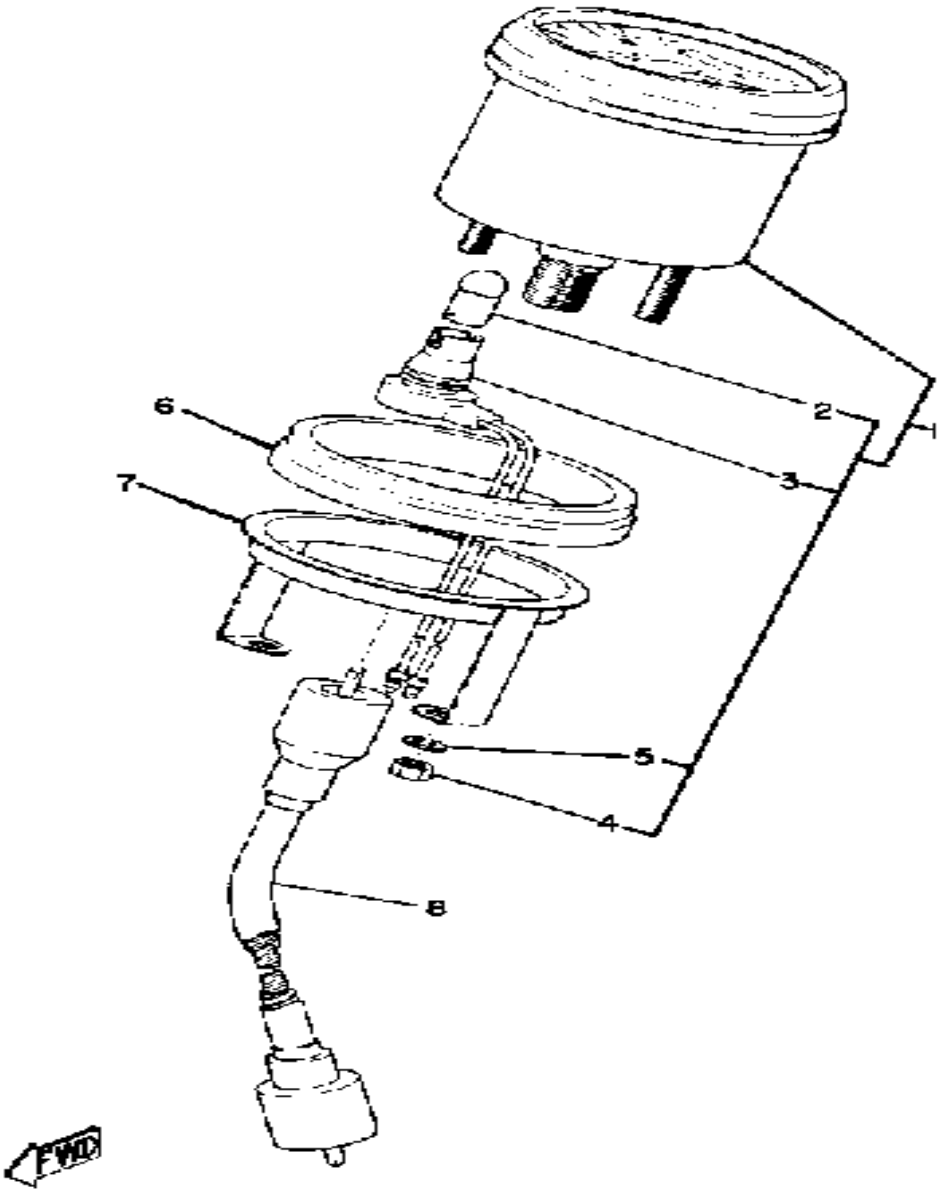


Ref. No.	Part Number	Description	Qty	Remarks
1	(853-84310-00-00)	HEADLIGHT UNIT ASSEMBLY .	1	
2	(838-84320-01-00)	LENS ASSEMBLY	1	
3	838-84314-00-00	. BULB, HEADLIGHT	1	
4	838-84327-00-00	. WASHER, SPECIAL	1	
5	838-84328-00-00	. SPACER	1	
6	838-84317-00-00	. NUT	1	
7	(853-84331-00-00)	SCREW, RIM ADJUSTING	4	
8	(853-84332-00-00)	SPRING, SCREW	4	
9	(807-84351-00-00)	CLAMP, CORD	4	

Property of www.SmallEngineDiscount.com - Not for Resale

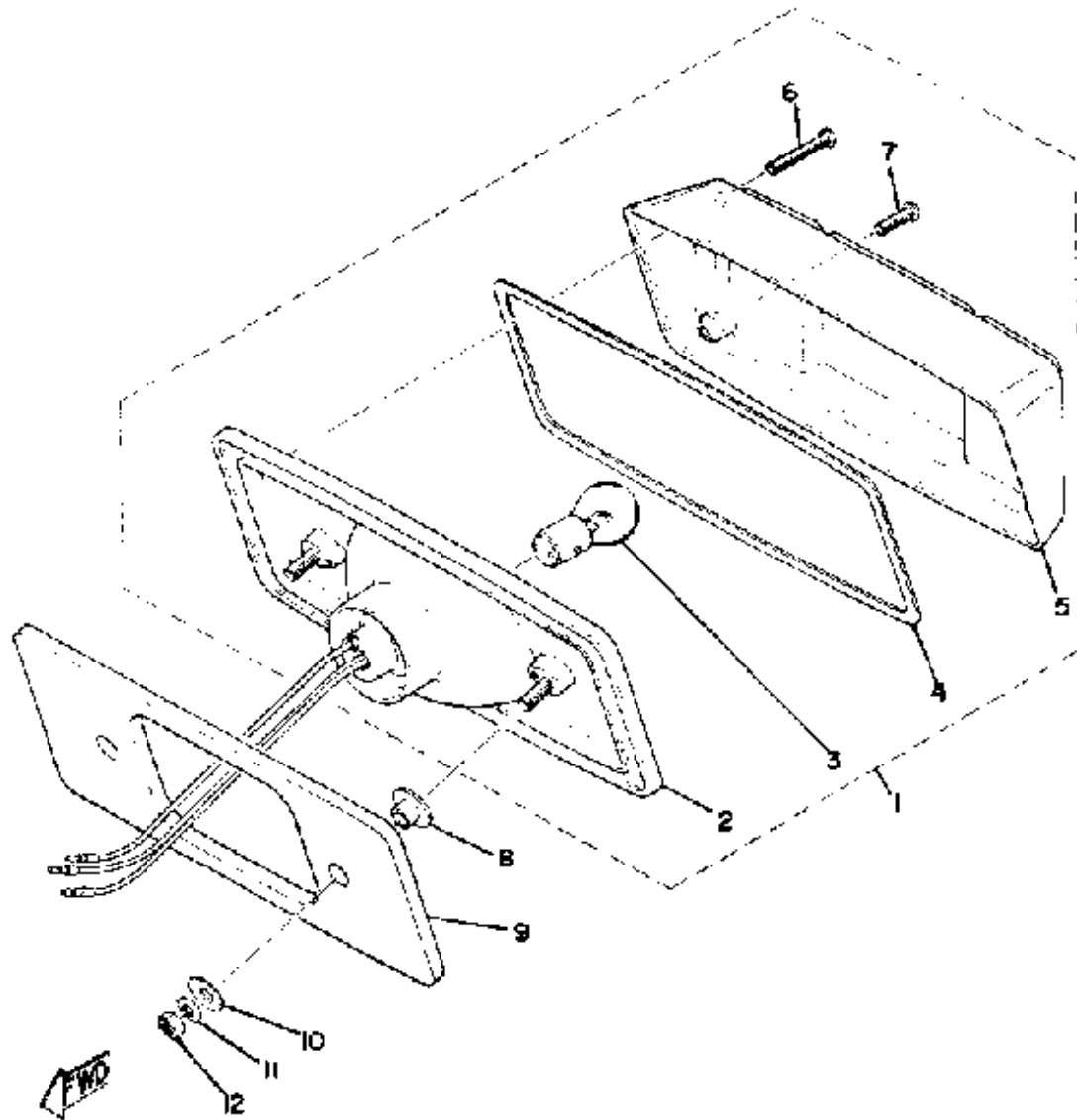
SPEEDOMETER

Ref. No.	Part Number	Description	Qty	Remarks
1	(863-83510-41-00)	SPEEDOMETER ASSEMBLY ..	1	MPH
2	123-83516-21-00	. BULB (12V-3.4W)	1	
3	(861-83536-40-00)	SOCKET, METER	1	
4	95380-05600-00	. NUT	2	
5	92990-05100-00	. WASHER, SPRING	2	
6	861-83523-40-00	DAMPER	1	
7	861-83514-40-00	PLATE, FITTING	1	
8	839-83550-01-00	SPEEDOMETER CABLE	1	



Property of www.SmallEngineDiscount.com - Not for Resale

TAIL LAMP

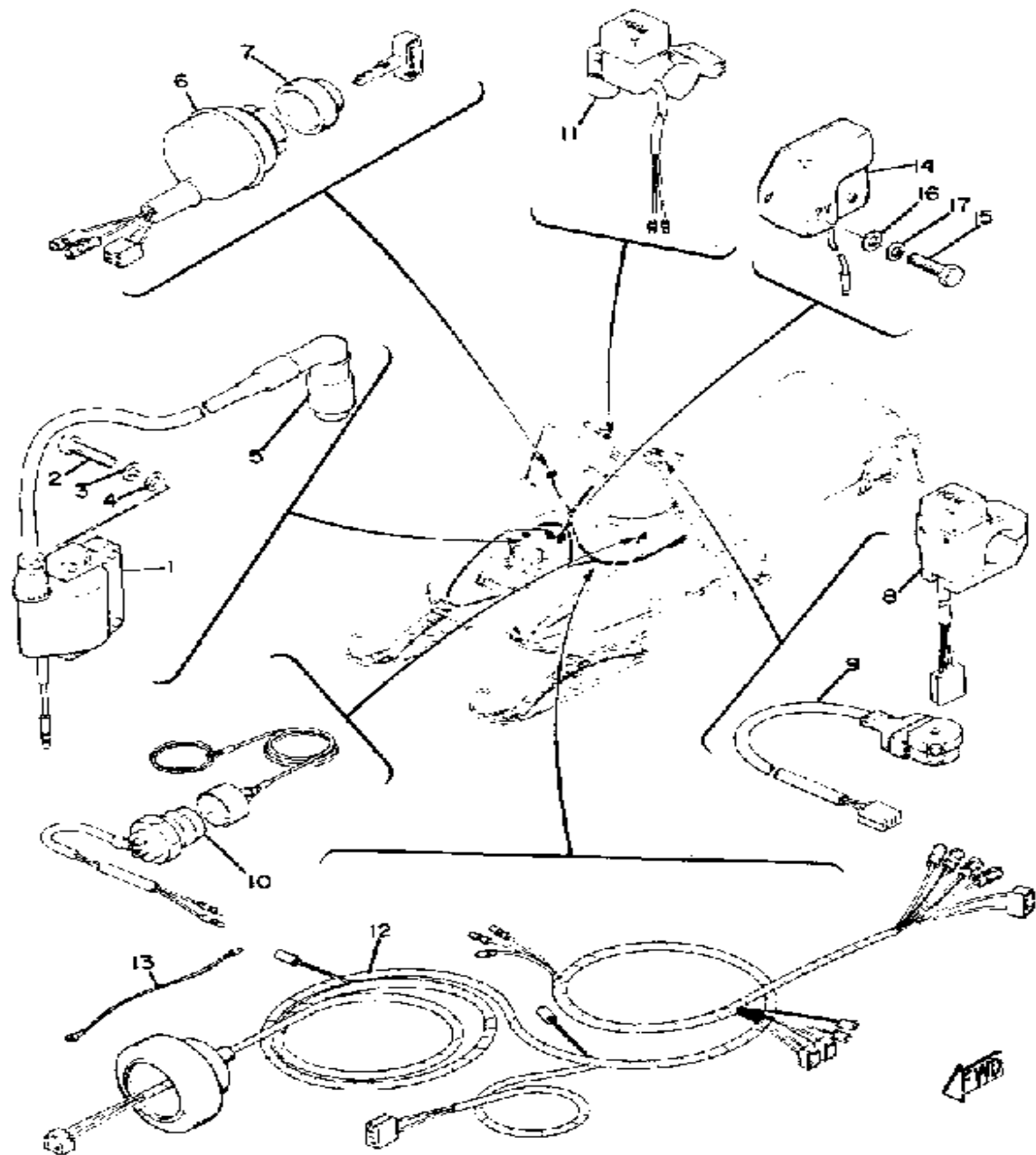


Ref. No.	Part Number	Description	Qty	Remarks
1	853-84710-00-00	TAILLIGHT UNIT ASSEMBLY ..	1	
2	853-84710-00-00	. TAILLIGHT UNIT ASSEMBLY .	1	
3	137-84714-61-00	. BULB, TL 12V23/8W (J50-83311-00)	1	
4	821-84712-00-00	. SEAT, BASE	1	
5	821-84721-00-00	. LENS, TAILLIGHT	1	
6	98511-04030-00	. SCREW, PAN HEAD	2	
7	98503-04014-00	. SCREW, PAN HEAD	2	
8	90387-06024-00	COLLAR	2	
9	878-84753-00-00	DAMPER	1	
10	90201-06057-00	WASHER, PLATE	2	
11	92995-06100-00	WASHER, SPRING	2	
12	95380-06600-00	NUT	2	

Property of www.SmallEngineDiscount.com - Not for Resale

D7

ELECTRICAL

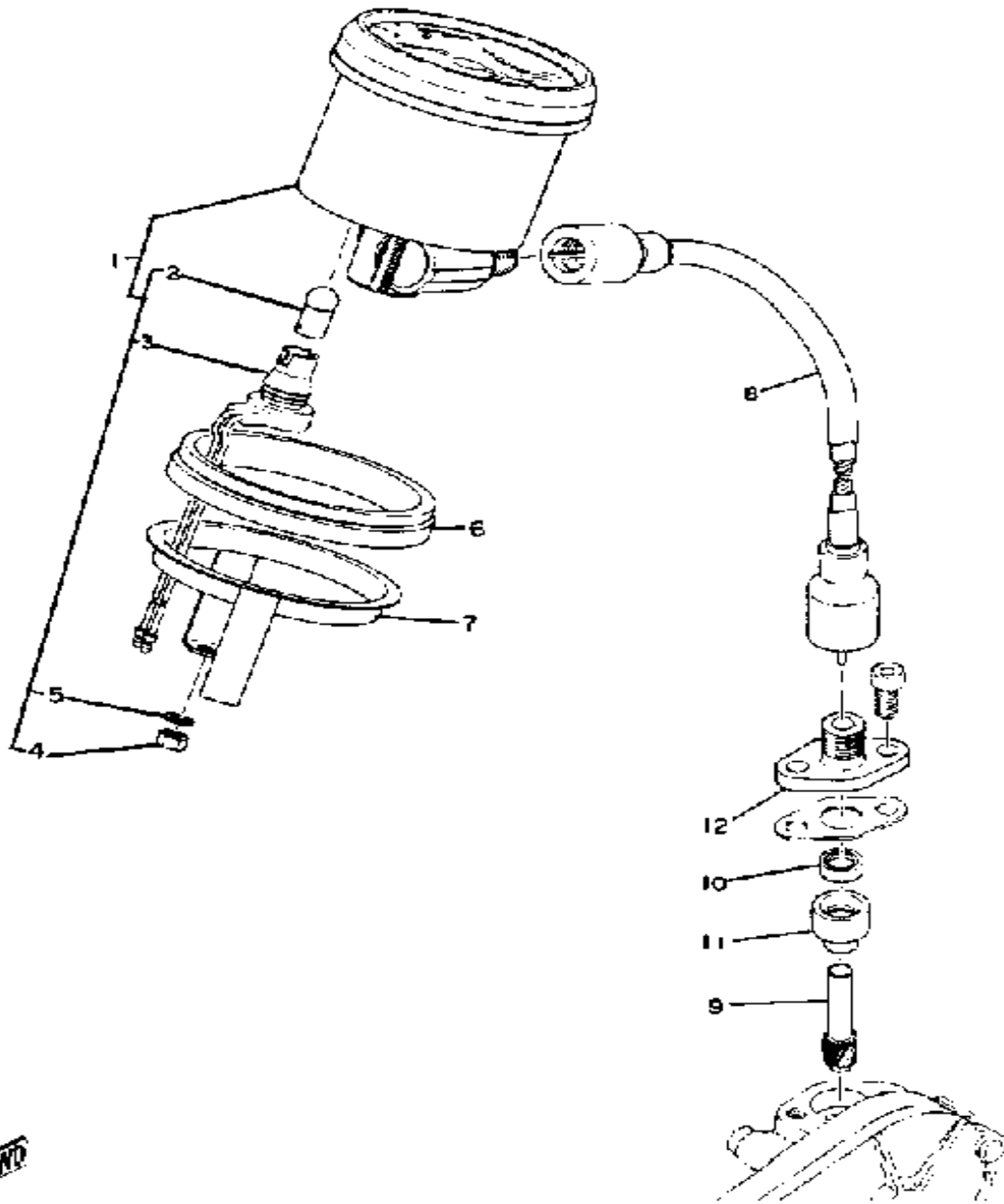


Ref. No.	Part Number	Description	Qty	Remarks
1	860-82310-40-00	IGNITION COIL ASSEMBLY ...	1	
2	98506-06025-00	SCREW, PAN HEAD	2	
3	92906-06100-00	WASHER, SPRING	2	
4	92906-06600-00	WASHER	1	
5	899-82370-20-00	PLUG CAP ASSEMBLY	1	
6	898-82508-20-00	MAIN SWITCH ASSEMBLY ...	1	
7	806-82516-00-00	COLLAR, MAIN SWITCH	1	
8	861-83950-01-00	BEAM SWITCH ASSEMBLY ...	1	
9	822-82530-00-00	STOP SWITCH ASSEMBLY ...	1	
10	8J7-82550-01-00	STOP SWITCH ASSEMBLY ...	1	
11	883-83976-00-00	SWITCH, HANDLE 1	1	
12	(898-82590-21-00)	WIRE HARNESS ASSEMBLY ..	1	
13	(838-82519-00-00)	WIRE, EARTH LEAD	1	
14	82F-81910-A0-00	VOLTAGE REGULATOR ASSEMBLY	1	
15	97013-06012-00	BOLT	2	
16	92901-06600-00	WASHER	2	
17	92995-06100-00	WASHER, SPRING	2	

Property of www.SmallEngineDiscount.com - Not for Resale

TACHOMETER UNIT

Ref. No.	Part Number	Description	Qty	Remarks
1	(ACC-01200-42-74)	TACHOMETER KIT	1	
2	123-83516-21-00	. BULB (12V-3.4W)	1	
3	(861-83536-40-00)	SOCKET, METER	1	
4	95380-05600-00	. NUT	2	
5	92990-05100-00	. WASHER, SPRING	2	
6	861-83523-40-00	DAMPER	1	
7	861-83514-40-00	PLATE, FITTING	1	
8	839-83560-00-00	TACHOMETER CABLE	1	
9	813-17841-00-00	GEAR, DRIVEN (10T)	1	
10	821-17843-00-00	BUSH, DRIVEN GEAR OUTER	1	
11	93104-06033-00	OIL SEAL	1	
12	821-17819-00-00	CAP, HOUSING	1	



Property of www.SmallEngineDiscount.com - Not for Resale

GP300

1976 SERVICE DATA

SNOWMOBILE
S5-012

MODEL – IBM I.D. NUMBER	GP300	899
Starting Engine and Frame Number	S292-026101	899-026101
ENGINE (type) (induction system)	2-stroke, Single, Forced Air-cooled	
Bore x Stroke x Cylinders Displacement	73 x 70mm x 1	292cc
Compression Ratio/Compression Pressure	7.0:1	9.0kg/cm ² (128 psi)
Piston Skirt Clearance (new/max)	.045 ~ .050mm (.0018 ~ .0020")/0.1mm (.004")	
Ring End Gap (top/2nd)	0.3 ~ 0.5mm (.012 ~ .020")/0.3 ~ 0.5mm (.012 ~ .020")	
Ring Groove Clearance (top/2nd)	.03~.07mm(.0012~.0028")/.03~.07mm(.0012~.0028")	
CARBURETOR (mfr) (type) (I.D. number)	Mikuni	BN38-34SH 89900
Quantity/Venturi size (measured) (effective)	1 / 38mm / 34mm	
Fuel Inlet Valve (size)/Fuel Level	1.5mm / ϕ	
Slow Speed Screw Setting (turns out)	(Pilot Screw) 1-3/8	
Main Jet/Partial Jet/Slow Jet	Main Jet No. 140 / Pilot Jet No. 72.5	
Idle Speed	1,300 rpm	
AUTOLUBE – Pump Color/Control Rod Adj.	White	Full Throttle
Pump Plunger Stroke (min) (max)	0.20~0.25mm(.008~.010")/1.85~2.05mm(.073~.081")	
Output @ 200 strokes (full throttle/idle)	8.79 ~ 9.74cc / 0.95 ~ 1.19cc	
DRIVE (type)	V-belt, Automatic	
Primary Sheave Engagement RPM	3,400 ~ 3,600 rpm	
Belt Length/Width/Wear Limit/IBM number	1,101mm(43.35")/31.6mm(1.24")/26mm(1.02")/820	
Primary Ratio(s)	3.5 ~ 1:1	
Sheave Center to Center/Offset	270 \pm 2mm (10.63 \pm .079") / 6 \pm 0.5mm (23 \pm .02")	
Primary Spring Color/Length/Rate	Blue-Red / 96.5mm (3.80") / 1.43kg/mm (20.34 lb/in.)	
Secondary Spring Pre-load/Part Number	180° / 90508-35289-00	
Secondary Drive Ratio/Chain Pitch-type/Freewheel	22/12 / No. 425-Duplex / 10mm	
Track (width)/Tension	15" / 25mm (1") deflection w/22 lbs. pull	
SLIDE SUSPENSION – Stopper Band/Rear Spring	No adjustment / Center Position Std.	
CAPACITIES – Chain Case (quantity) (type)	430cc (14.5 oz.) SAE 10W/30 Oil	
Fuel Tank (quantity) (grade)	4.6 gals. Regular Gas	
Autolube Tank (quantity) (type)	2.4 qts. Yamalube 2-stroke	
Torque Converter (quantity) (type)	ϕ	
ELECTRICAL – Charging System (mfr) (type)	Mitsubishi	Flywheel Magneto
Lighting Output at Full Load	74W (Main circuit)	23W (Stoplight circuit)
Headlight/Tailight/Instrument Ratings	12V60W/60W / 12V8W / 12V3.4W	
Lighting Coil Resistance	(Yellow) 0.23 Ω \pm 15%	
Stoplight Coil Resistance	(Green) 0.48 Ω \pm 15%	
Ignition Source Coil Resistance (charge coil)	1.75 Ω \pm 10%	
Pulser Coil Resistance	ϕ	
Coil Resistance (primary) (secondary)	0.94 Ω \pm 10%	5.6K Ω \pm 20%
Breaker Point Gap	0.35 \pm 0.05 mm	
Spark Plug Type/Heat Range/Gap	NGK	BR-8EV 0.4mm
Timing (B.T.D.C.)*	2.3 \pm 0.1mm B.T.D.C.	

N/A = Information Not Available
 ϕ = Does Not Apply To This Model

*After setting statically, check with timing light.

D-20

GP300

1976 SERVICE DATA

SNOWMOBILE
S5-012

MODEL – IBM I.D. NUMBER	GP300	899
Starting Engine and Frame Number	S292-026101	899-026101
ENGINE (type) (induction system)	2-stroke, Single, Forced Air-cooled	
Bore x Stroke x Cylinders Displacement	73 x 70mm x 1	292cc
Compression Ratio/Compression Pressure	7.0:1	9.0kg/cm ² (128 psi)
Piston Skirt Clearance (new/max)	.045 ~ .050mm (.0018 ~ .0020")/0.1mm (.004")	
Ring End Gap (top/2nd)	0.3 ~ 0.5mm (.012 ~ .020")/0.3 ~ 0.5mm (.012 ~ .020")	
Ring Groove Clearance (top/2nd)	.03~.07mm(.0012~.0028")/.03~.07mm(.0012~.0028")	
CARBURETOR (mfr) (type) (I.D. number)	Mikuni	BN38-34SH 89900
Quantity/Venturi size (measured) (effective)	1 / 38mm / 34mm	
Fuel Inlet Valve (size)/Fuel Level	1.5mm / ϕ	
Slow Speed Screw Setting (turns out)	(Pilot Screw) 1-3/8	
Main Jet/Partial Jet/Slow Jet	Main Jet No. 140 / Pilot Jet No. 72.5	
Idle Speed	1,300 rpm	
AUTOLUBE – Pump Color/Control Rod Adj.	White	Full Throttle
Pump Plunger Stroke (min) (max)	0.20~0.25mm(.008~.010")/1.85~2.05mm(.073~.081")	
Output @ 200 strokes (full throttle/idle)	8.79 ~ 9.74cc / 0.95 ~ 1.19cc	
DRIVE (type)	V-belt, Automatic	
Primary Sheave Engagement RPM	3,400 ~ 3,600 rpm	
Belt Length/Width/Wear Limit/IBM number	1,101mm(43.35")/31.6mm(1.24")/26mm(1.02")/820	
Primary Ratio(s)	3.5 ~ 1:1	
Sheave Center to Center/Offset	270 \pm 2mm (10.63 \pm .079") / 6 \pm 0.5mm (23 \pm .02")	
Primary Spring Color/Length/Rate	Blue-Red / 96.5mm (3.80") / 1.43kg/mm (20.34 lb/in.)	
Secondary Spring Pre-load/Part Number	180° / 90508-35289-00	
Secondary Drive Ratio/Chain Pitch-type/Freewheel	22/12 / No. 425-Duplex / 10mm	
Track (width)/Tension	15" / 25mm (1") deflection w/22 lbs. pull	
SLIDE SUSPENSION – Stopper Band/Rear Spring	No adjustment / Center Position Std.	
CAPACITIES – Chain Case (quantity) (type)	430cc (14.5 oz.) SAE 10W/30 Oil	
Fuel Tank (quantity) (grade)	4.6 gals. Regular Gas	
Autolube Tank (quantity) (type)	2.4 qts. Yamalube 2-stroke	
Torque Converter (quantity) (type)	ϕ	
ELECTRICAL – Charging System (mfr) (type)	Mitsubishi	Flywheel Magneto
Lighting Output at Full Load	74W (Main circuit)	23W (Stoplight circuit)
Headlight/Tailight/Instrument Ratings	12V60W/60W / 12V8W / 12V3.4W	
Lighting Coil Resistance	(Yellow) 0.23 Ω \pm 15%	
Stoplight Coil Resistance	(Green) 0.48 Ω \pm 15%	
Ignition Source Coil Resistance (charge coil)	1.75 Ω \pm 10%	
Pulser Coil Resistance	ϕ	
Coil Resistance (primary) (secondary)	0.94 Ω \pm 10%	5.6K Ω \pm 20%
Breaker Point Gap	0.35 \pm 0.05 mm	
Spark Plug Type/Heat Range/Gap	NGK	BR-8EV 0.4mm
Timing (B.T.D.C.)*	2.3 \pm 0.1mm B.T.D.C.	

N/A = Information Not Available
 ϕ = Does Not Apply To This Model

*After setting statically, check with timing light.

Property of www.SmallEngineDiscount.com - Not for Resale

K1