



**YAMAHA**

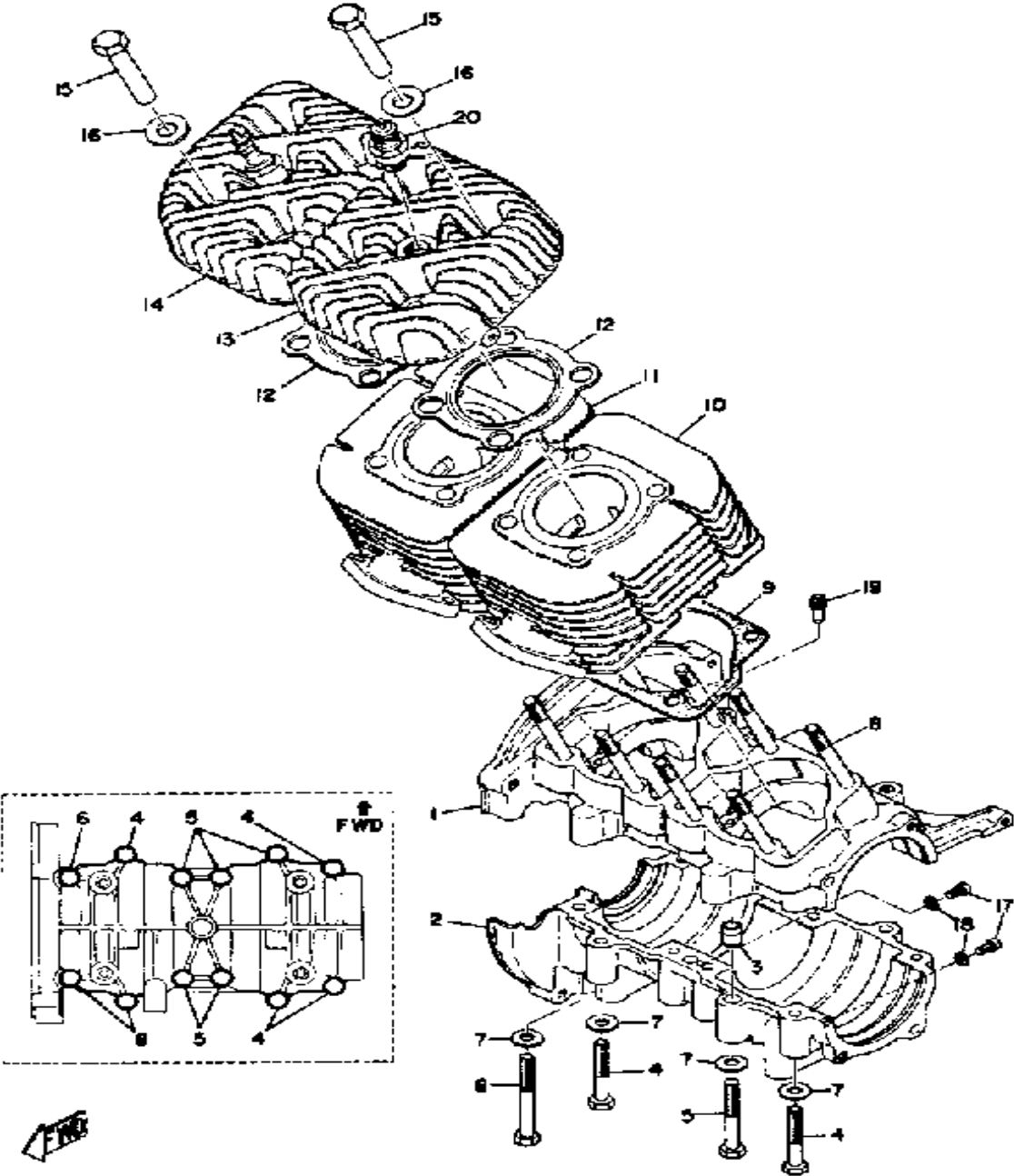
**GENUINE**

**PARTS CATALOGUE**

**SNOWMOBILE**

Property of [www.SmallEngineDiscount.com](http://www.SmallEngineDiscount.com) - Not for Resale

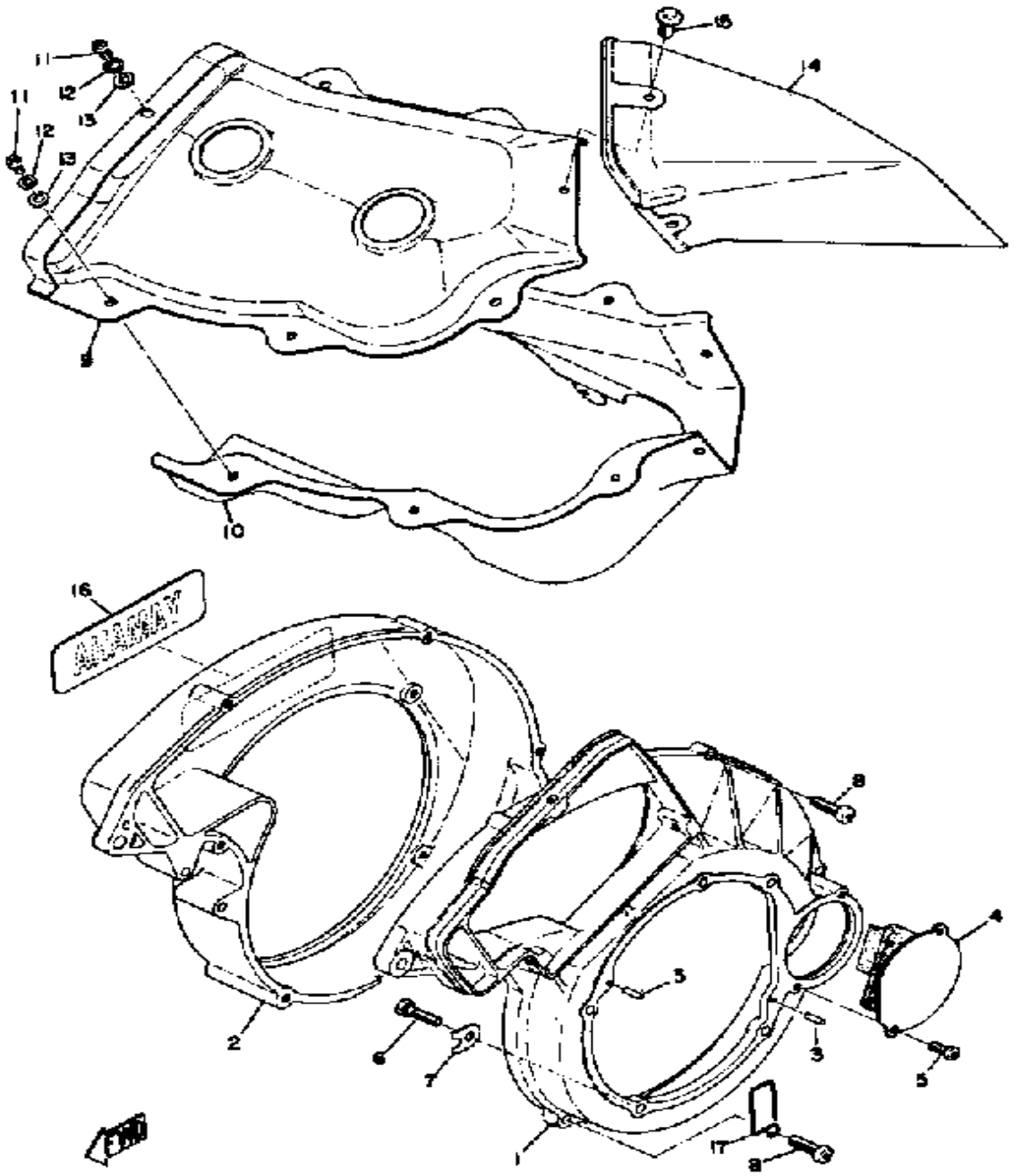
# CRANKCASE-CYLINDER



Ref. No.	Part Number	Description	Qty	Remarks
3	99510-12016-00	PIN, DOWEL .....	2	
4	97313-08050-00	BOLT, HEXAGON (90101-08125)	4	
5	97013-08060-00	BOLT (663) .....	5	
6	97021-08070-00	BOLT .....	3	
7	92990-08200-00	WASHER, PLAIN .....	12	
8	90116-08064-00	BOLT, STUD .....	8	
9	846-11351-01-00	GASKET, CYLINDER .....	2	
10	846-11311-01-00	CYLINDER 1 .....	1	
11	(846-11321-01-00)	CYLINDER 2 .....	1	
12	806-11181-00-00	GASKET, CYLINDER HEAD 1 .	2	
13	(846-11111-00-00)	HEAD, CYLINDER 1 .....	1	
14	(846-11121-00-00)	HEAD, CYLINDER 2 .....	1	
15	90179-08090-00	NUT, SPEC'L SHAPE .....	8	
16	92990-12200-00	WASHER, PLAIN .....	8	
17	98580-06010-00	SCREW, PAN HEAD (92503-06010) .....	2	
18	90430-06016-00	GASKET .....	2	
19	J38-11116-00-00	JOINT, BREATHER .....	1	
20	(CMP-N2G00-00-00)	CHAMPION N2G 10PK .....	2	
-1	(846-15100-00-00)	CRANKCASE ASSEMBLY .....	1	

Property of [www.SmallEngineDiscount.com](http://www.SmallEngineDiscount.com) - Not for Resale

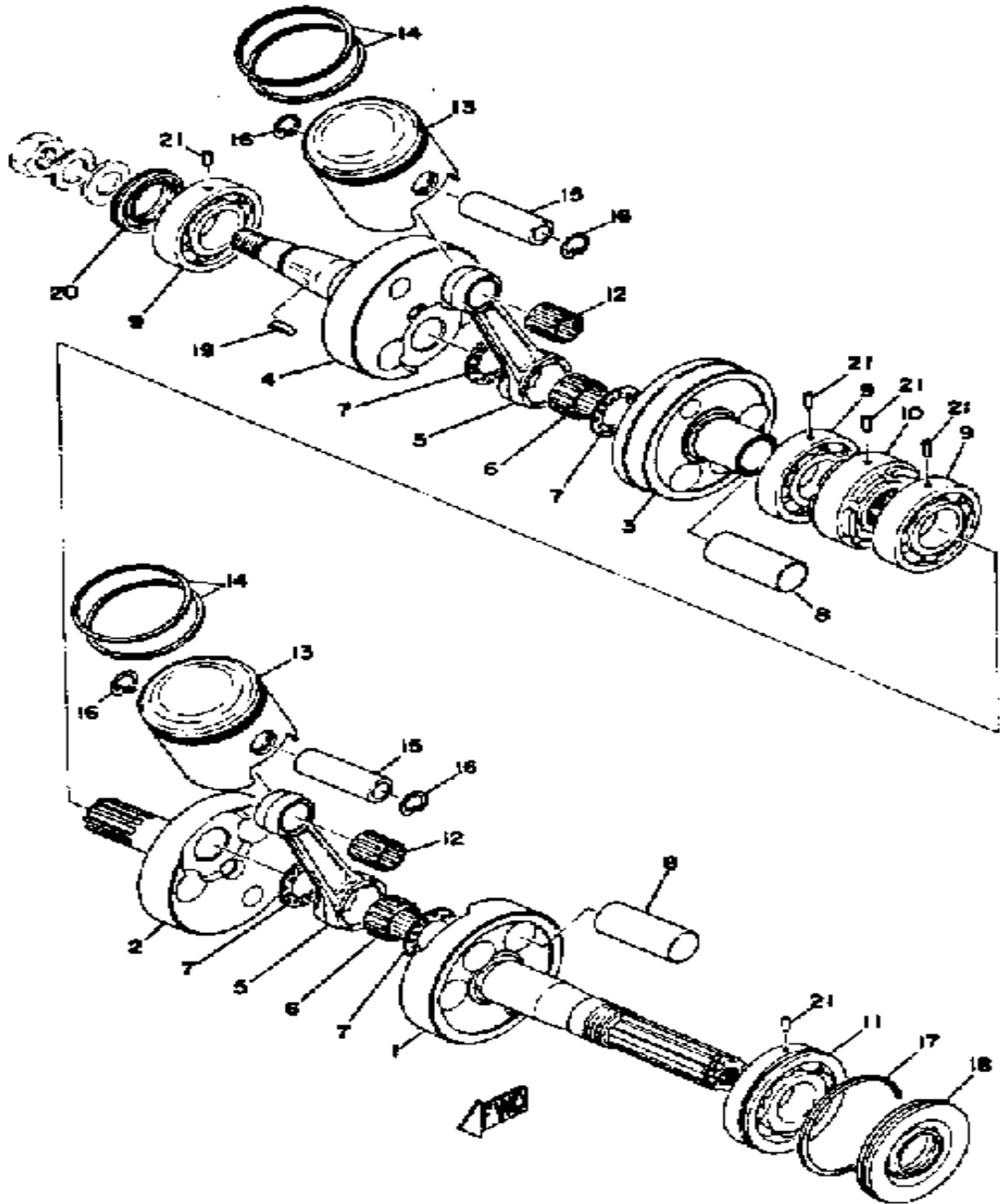
# FAN CASE-AIR SHROUD



Ref. No.	Part Number	Description	Qty	Remarks
1	(838-12621-00-00)	CASE, FAN .....	1	
2	838-12622-00-00	CASE, FAN 2 .....	1	
3	93604-14012-00	PIN, DOWEL .....	2	
4	(821-12633-00-00)	PLATE .....	1	
5	98580-05010-00	SCREW, PAN HEAD .....	2	
6	(807-12623-00-00)	BOLT .....	5	
7	(838-12624-00-00)	WASHER, LOCK 1 .....	5	
8	98506-06025-00	SCREW, PAN HEAD .....	6	
9	(8A0-12651-00-00)	AIR SHROUD, CYLINDER 1 ...	1	
10	(840-12652-00-00)	AIR SHROUD, CYLINDER 2 ...	1	
11	98516-06012-00	SCREW, PAN HEAD .....	10	
12	92906-06100-00	WASHER, SPRING .....	10	
13	92906-06200-00	WASHER .....	10	
14	(841-12661-00-00)	DUCT .....	1	
15	(838-12666-00-00)	FASTENER .....	3	
16	(838-12629-00-00)	EMBLEM .....	1	
17	(841-24369-00-00)	CLAMP, OIL PIPE .....	1	

Property of [www.SmallEngineDiscount.com](http://www.SmallEngineDiscount.com) - Not for Resale

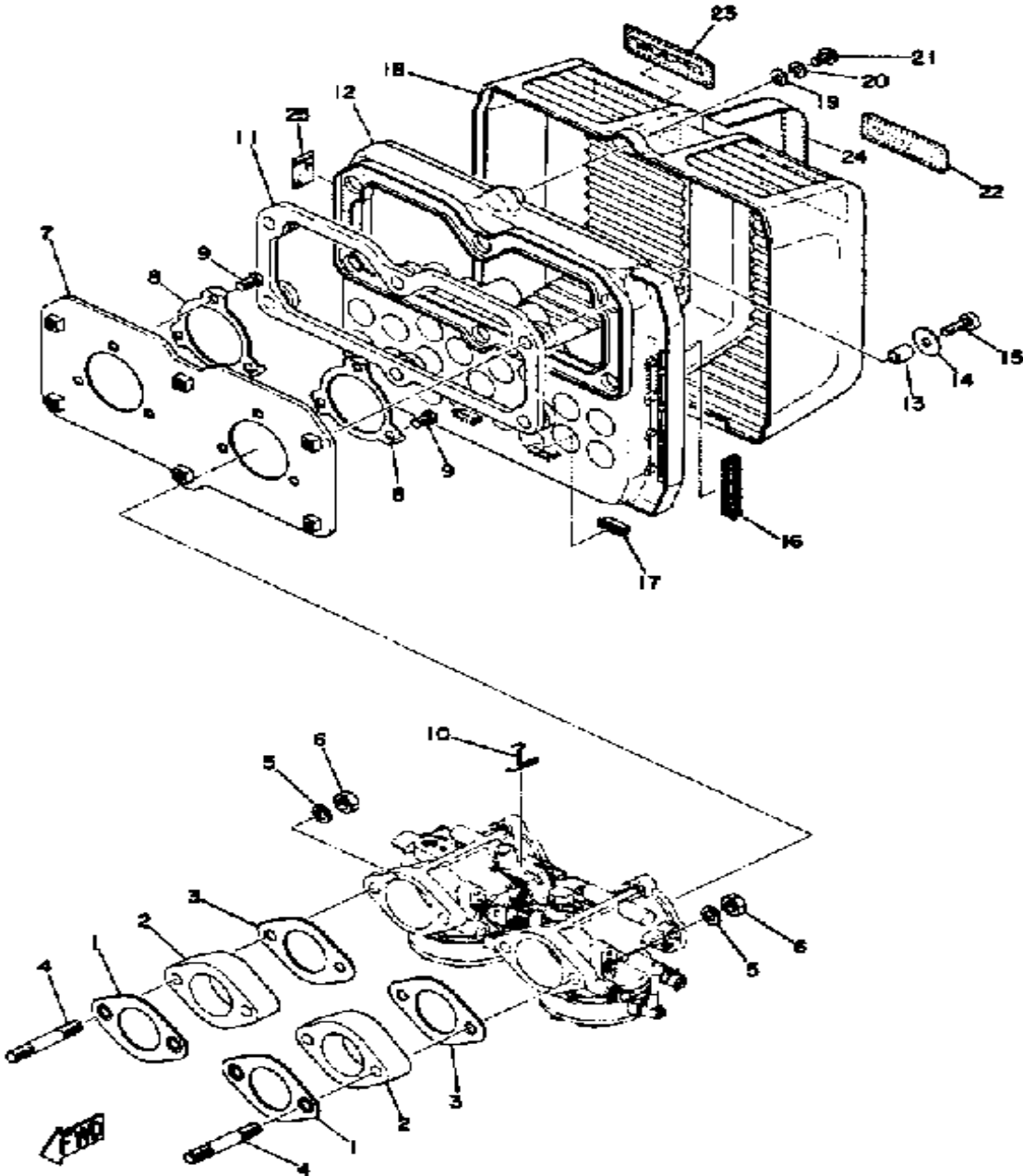
# CRANK-PISTON



Ref. No.	Part Number	Description	Qty	Remarks
1	(838-11412-00-00)	CRANK 1 .....	1	
2	(824-11422-01-00)	CRANK 2 .....	1	
3	(821-11432-01-00)	CRANK 3 .....	1	
4	(821-11442-00-00)	CRANK 4 .....	1	
5	8A7-11651-00-00	. ROD, CONNECTING (838-11651-00) .....	1	
6	93310-42497-00	. BEARING, CYLINDER.# 0 ...	2	
7	90209-24073-00	. WASHER .....	4	
8	857-11681-00-00	. PIN, CRANK 1 .....	2	
9	93306-20633-00	. BEARING .....	3	
10	(168-11515-00-00)	SEAL, LABYRINTH 1 .....	1	
11	93306-30603-00	. BEARING .....	1	
12	93310-218A6-00	BEARING .....	2	
13	(846-11636-00-00)	PISTON 2 O/S 0.0 .....	2	ALTERNATE PART
	846-11631-00-96	PISTON STD .....	2	
	846-11635-00-00	PISTON 1 O/S 0.5 .....	2	ALTERNATE PART
14	(846-11610-20-00)	PISTON RINGSET 2ND .....	2	
	846-11610-00-00	PISTON RINGSET STD .....	2	
	846-11610-10-00	PISTON RINGSET 1ST .....	2	ALTERNATE PART
15	168-11633-00-00	PIN, PISTON .....	2	
16	93450-20026-00	CIRCLIP .....	4	
17	93440-78011-00	CIRCLIP, OUTER .....	1	
18	93103-32054-00	OIL SEAL, SW-TYPE .....	1	
19	90280-05014-00	KEY, WOODRUFF .....	1	
20	93103-32156-00	OIL SEAL .....	1	
21	93604-12037-00	PIN, DOWEL .....	5	
-1	840-11400-00-00	CRANKSHAFT ASSEMBLY ...	1	

Property of [www.SmallEngineDiscount.com](http://www.SmallEngineDiscount.com) - Not for Resale

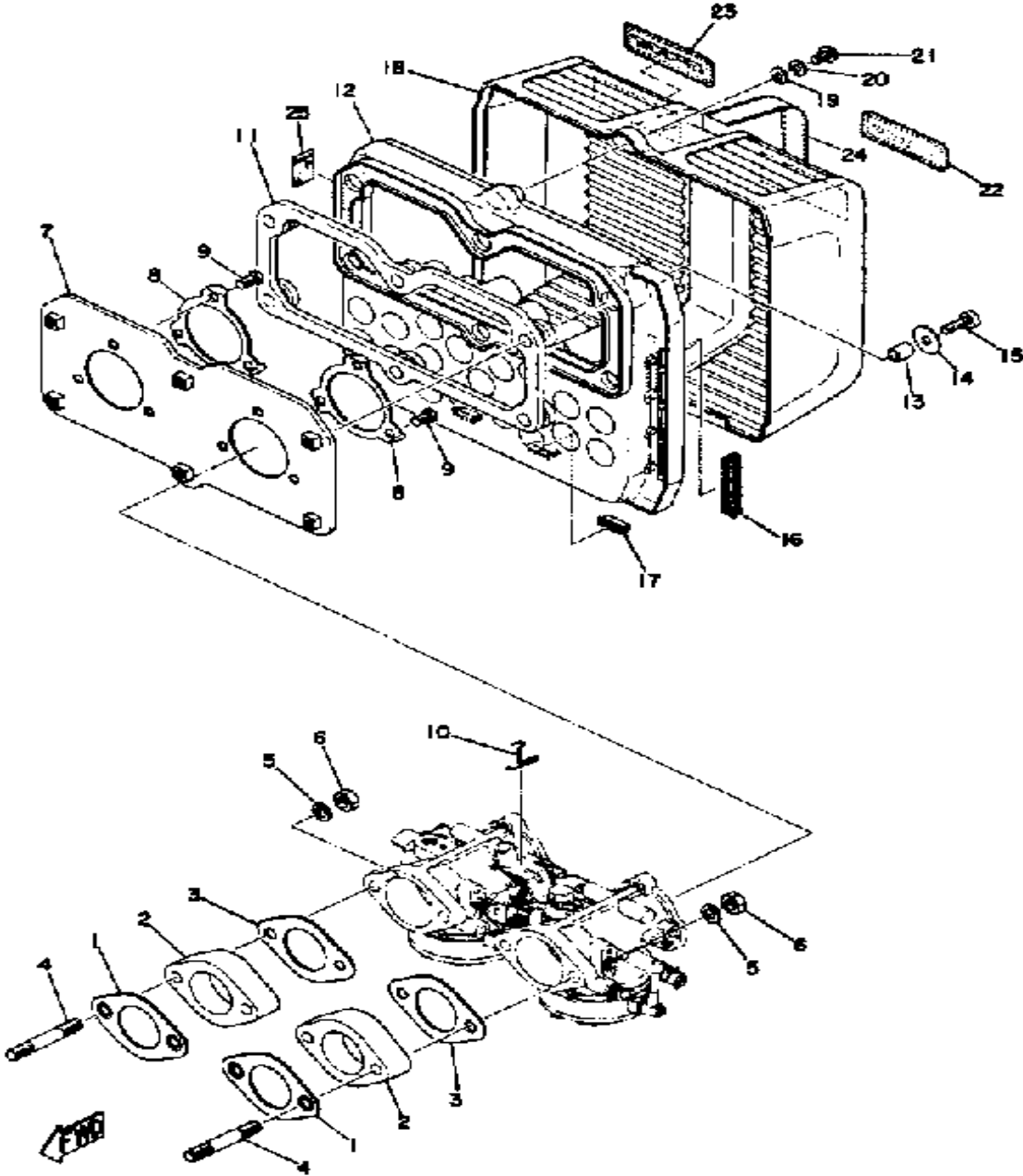
# INTAKE



Ref. No.	Part Number	Description	Qty	Remarks
1	810-13556-00-00	GASKET, MANIFOLD	2	FOR SINGLE CARB
2	807-13555-01-00	MANIFOLD, INTAKE	2	FOR SINGLE CARB
3	810-13563-00-00	GASKET	2	FOR SINGLE CARB
4	(824-13565-00-00)	JOINT, CARBURETOR	1	FOR SINGLE CARB
5	93210-07540-00	O-RING	2	FOR SINGLE CARB
6	824-13552-00-00	NOZZLE	2	FOR SINGLE CARB
7	91316-08030-00	BOLT, SOCKET HEAD	2	FOR SINGLE CARB
8	97313-08035-00	BOLT, HEXAGON	2	FOR SINGLE CARB
9	92990-08100-00	WASHER	4	FOR SINGLE CARB
10	92990-08200-00	WASHER, PLAIN	4	FOR SINGLE CARB
11	(90116-08051-00)	BOLT, STUD	2	FOR SINGLE CARB
12	810-13566-00-00	GASKET	2	FOR SINGLE CARB
13	(812-13555-70-00)	MANIFOLD, INTAKE	1	FOR SINGLE CARB
14	(810-13576-00-00)	SPACER	2	FOR SINGLE CARB
15	95303-08700-00	NUT	2	FOR SINGLE CARB
16	92990-08100-00	WASHER	2	FOR SINGLE CARB

Property of [www.SmallEngineDiscount.com](http://www.SmallEngineDiscount.com) - Not for Resale

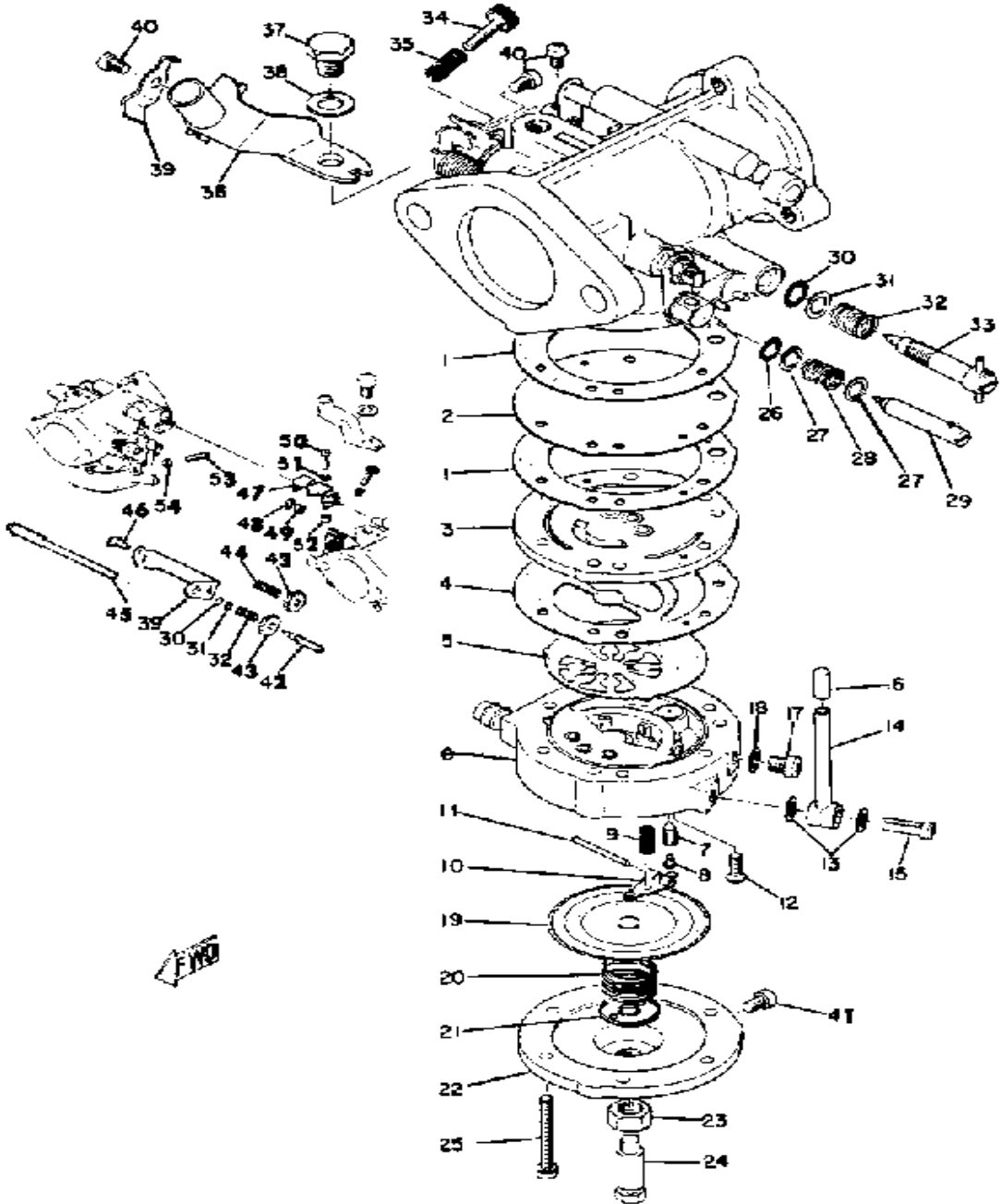
# INTAKE



Ref. No.	Part Number	Description	Qty	Remarks
1	828-13556-00-00	GASKET	2	
2	(846-13555-00-00)	MANIFOLD, INTAKE	2	
3	(846-13556-00-00)	GASKET, MANIFOLD	2	
4	90116-08057-00	BOLT, STUD	4	
5	92990-08100-00	WASHER	4	
6	95303-08700-00	NUT	4	
7	(846-14477-00-00)	PLATE	1	
8	846-14477-60-00	PLATE	1	FOR SINGLE CARB
	90209-43074-00	WASHER, SPEC'L SHAP (844-14475-00)	2	
	90209-45075-00	WASHER, SPEC'L SHAP (847-14475-00)	1	FOR SINGLE CARB
9	97013-06012-00	BOLT	6	
10	822-41222-00-00	CLAMP, THROTTLE	1	
11	(844-14492-00-00)	DAMPER	1	
12	(846-14431-00-00)	SILENCER, INTAKE 1	1	
13	90387-065L7-00	COLLAR (51L) (214-21633-00)	6	
14	90201-06697-00	WASHER, PLATE	6	
15	98580-06020-00	SCREW	6	
16	(844-14425-00-00)	DAMPER 1	6	
17	(844-14426-00-00)	DAMPER 2	2	
18	(844-14441-00-00)	SILENCER, INTAKE 2	1	
19	92906-06200-00	WASHER	1	
20	92906-06100-00	WASHER, SPRING	1	
21	98906-06010-00	SCREW, BIND	1	
22	(844-77351-00-00)	EMBLEM 1	1	
23	(846-77451-00-00)	EMBLEM 1	1	
24	(844-77359-00-00)	EMBLEM 9	1	
25	(844-77455-00-00)	INDICATOR, CHOKE	1	

Property of [www.SmallEngineDiscount.com](http://www.SmallEngineDiscount.com) - Not for Resale

# CARBURETOR

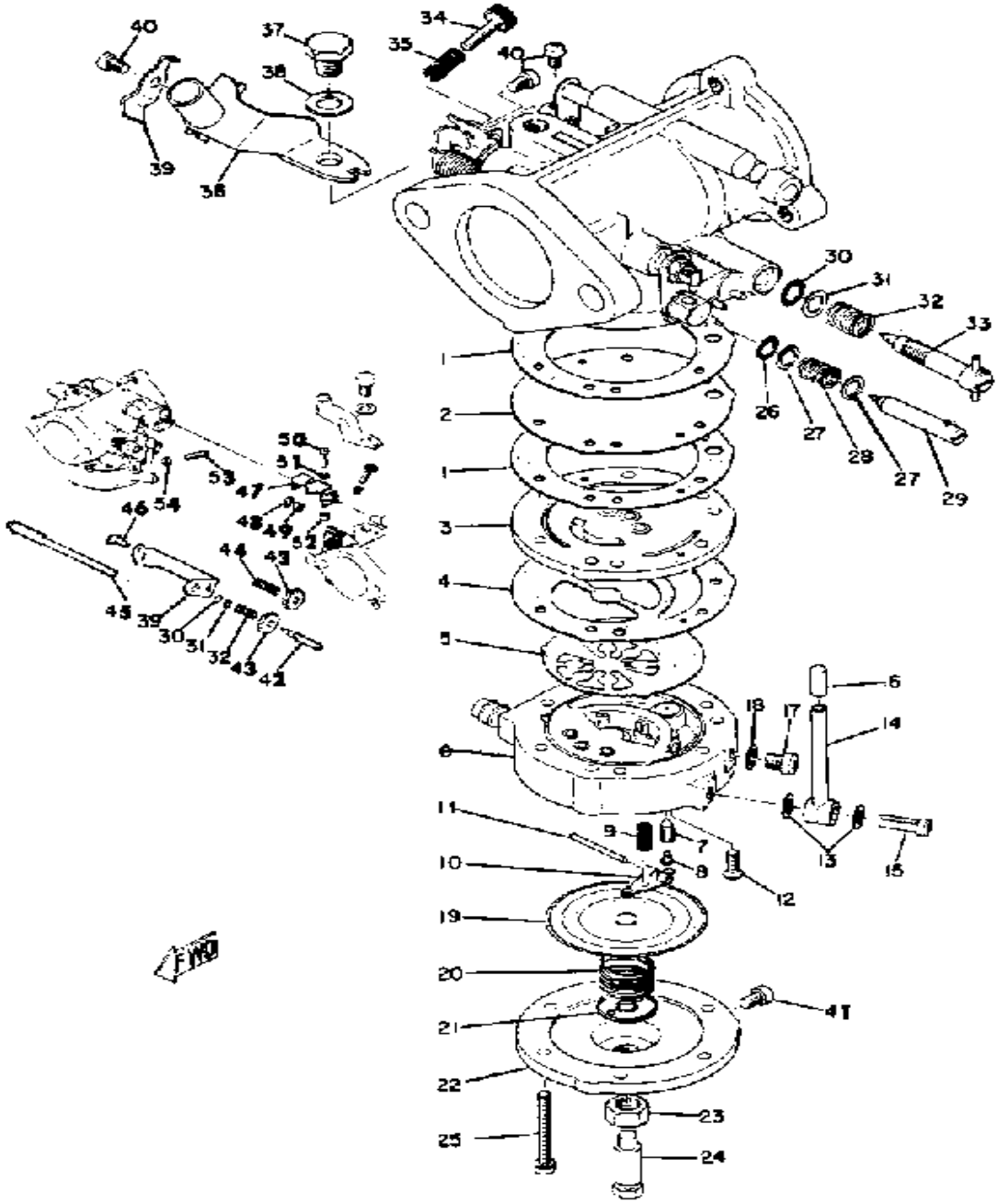


Ref. No.	Part Number	Description	Qty	Remarks
1	838-14536-00-00	. GASKET .....	4	
2	834-14541-00-00	. DIAPHRAGM, PUMP .....	2	
3	(838-14542-00-00)	BODY, PUMP 1 .....	2	
4	834-14553-00-00	. GASKET .....	2	
5	806-14552-01-00	. VALVE, CHECK .....	2	
6	(844-14543-00-00)	BODY, PUMP 2 .....	2	
7	838-14546-00-00	. VALVE, NEEDLE .....	2	
8	676-14186-00-00	. PIN, FLOAT .....	2	
9	810-14556-00-00	. SPRING .....	2	
10	(810-14547-00-00)	ARM, FLOAT .....	2	
11	(806-14548-00-00)	PIN, FLOAT ARM .....	2	
12	98702-03008-00	. SCREW, FLAT HEAD .....	2	
13	806-14559-00-00	. WASHER .....	4	
14	810-14197-02-00	. PIPE, AIRVENT .....	2	
15	8A1-14592-00-00	. SCREW .....	2	
16	810-24462-01-00	. CAP, BLIND .....	2	
17	(806-14567-01-00)	SCREW .....	2	
18	810-14597-00-00	. WASHER .....	2	
19	810-14545-00-00	. DIAPHRAGM .....	2	
20	(810-14555-00-00)	SPRING .....	2	
21	(810-14136-00-00)	SEAT, SPRING .....	2	
22	(810-14544-00-00)	BODY, PUMP 3 .....	2	
23	95303-08700-00	. NUT .....	2	
24	824-14565-00-00	. SCREW, STOP .....	2	
25	(824-14567-00-00)	SCREW .....	12	
26	824-14563-00-00	. O-RING .....	2	
27	838-14596-00-00	. WASHER .....	5	
28	(824-14531-00-00)	SPRING, AJST SCREW .....	2	
29	(838-14522-00-00)	SCREW, ADJUST .....	2	

CONTINUED ON NEXT FRAME ➤

Property of [www.SmallEngineDiscount.com](http://www.SmallEngineDiscount.com) - Not for Resale

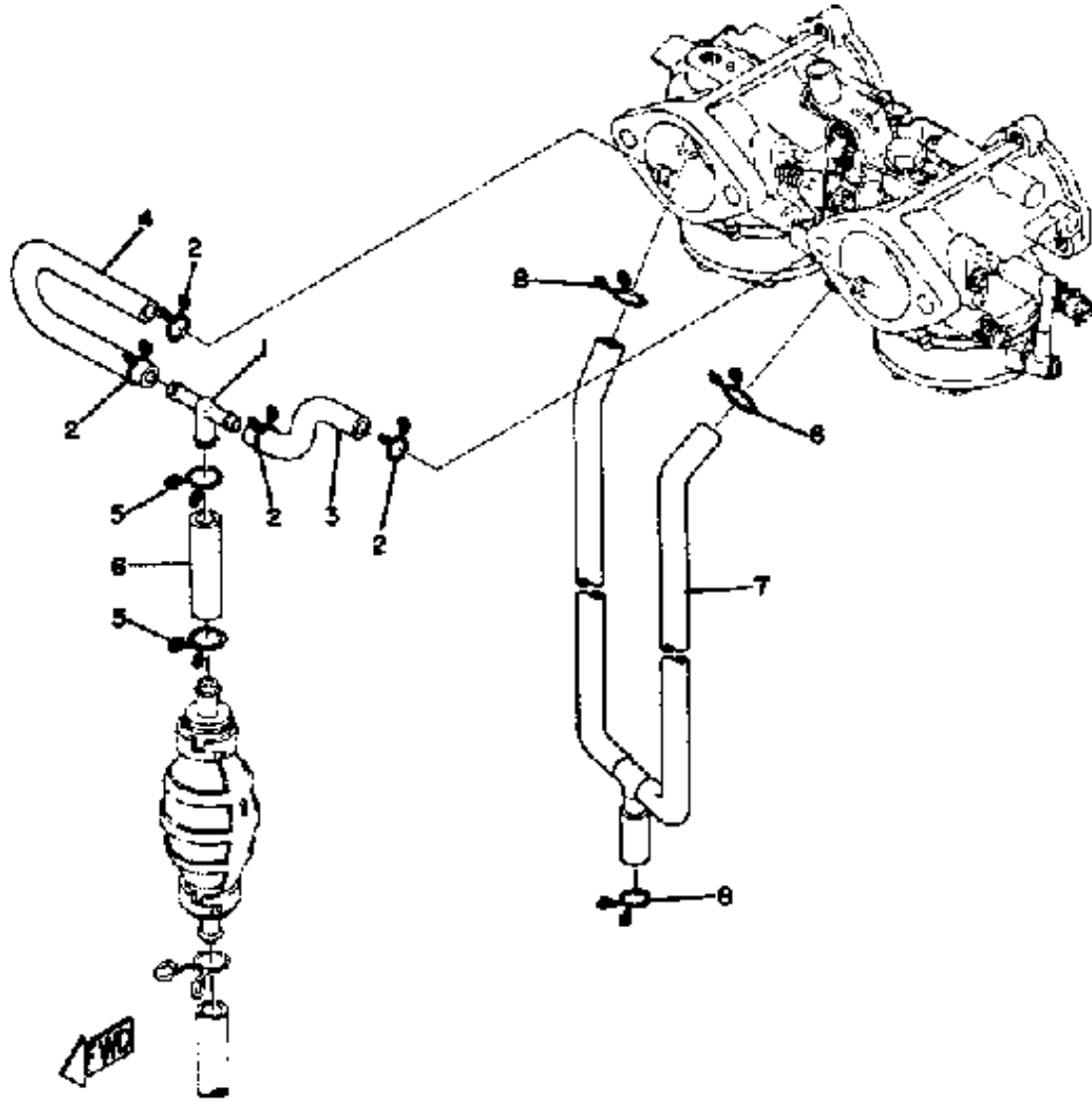
# CARBURETOR



Ref. No.	Part Number	Description	Qty	Remarks
30	824-14564-00-00	. O-RING	2	
31	838-14597-00-00	. WASHER	2	
32	(824-14533-00-00)	SPRING, AJST SCREW	2	
33	(844-14521-00-00)	SCREW, ADJUST	1	
34	(810-14523-00-00)	SCREW, STOP	1	
35	(806-14533-00-00)	SPRING, AJST SCREW	1	
36	828-14571-00-00	. BRACKET, THROTTLE	1	
37	97313-08012-00	. BOLT	1	
38	92990-08100-00	. WASHER	1	
39	(844-14527-00-00)	PLATE	1	
40	98511-04006-00	. SCREW, PAN HEAD (98501-04005)	1	
41	98511-04006-00	. SCREW, PAN HEAD (98501-04005)	1	ALTERNATE PART
42	(844-14521-00-00)	SCREW, ADJUST	1	
43	(844-42152-00-00)	GEAR	2	
44	(844-14533-00-00)	SPRING, AJST SCREW	1	
45	(844-41258-00-00)	SHAFT, LINK	1	
46	(844-14567-00-00)	SCREW	1	
47	(844-14588-00-00)	CONNECTOR	1	
48	(806-14598-00-00)	WASHER	1	
49	95380-05600-00	NUT	1	
50	(844-14566-00-00)	SCREW, STOP	1	
51	92990-04200-00	WASHER, PLAIN	1	
52	95301-04600-00	NUT	1	
53	(813-14591-00-00)	SCREW	1	
54	(806-14594-00-00)	NUT	1	
-1	(846-14502-00-00)	CARBURETOR ASSEMBLY 2	1	
	846-14501-00-00	CARBURETOR ASSEMBLY 1	1	

Property of [www.SmallEngineDiscount.com](http://www.SmallEngineDiscount.com) - Not for Resale



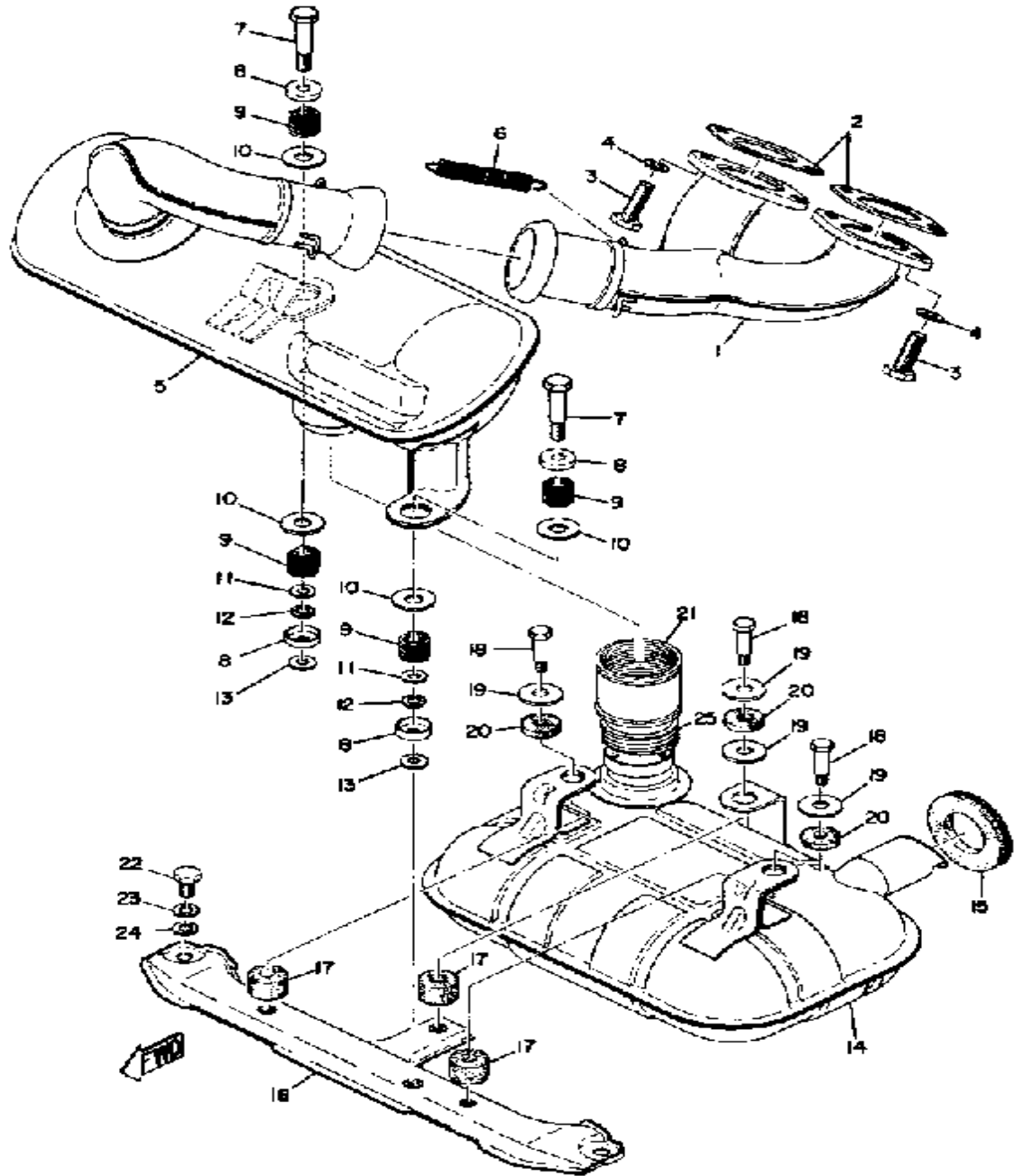


# PIPING

Ref. No.	Part Number	Description	Qty	Remarks
1	807-24376-00-00	PIPE, JOINT 1 .....	1	
2	810-24356-00-00	CLIP, PIPE 1 .....	4	
3	(807-24313-00-00)	PIPE 3 .....	1	
4	807-24317-00-00	PIPE 7 .....	1	
5	90467-11009-00	CLIP .....	2	
6	90446-11018-00	HOSE .....	1	
7	(844-24315-00-00)	PIPE 5 .....	1	
8	90467-09006-00	CLIP .....	3	

Property of [www.SmallEngineDiscount.com](http://www.SmallEngineDiscount.com) - Not for Resale

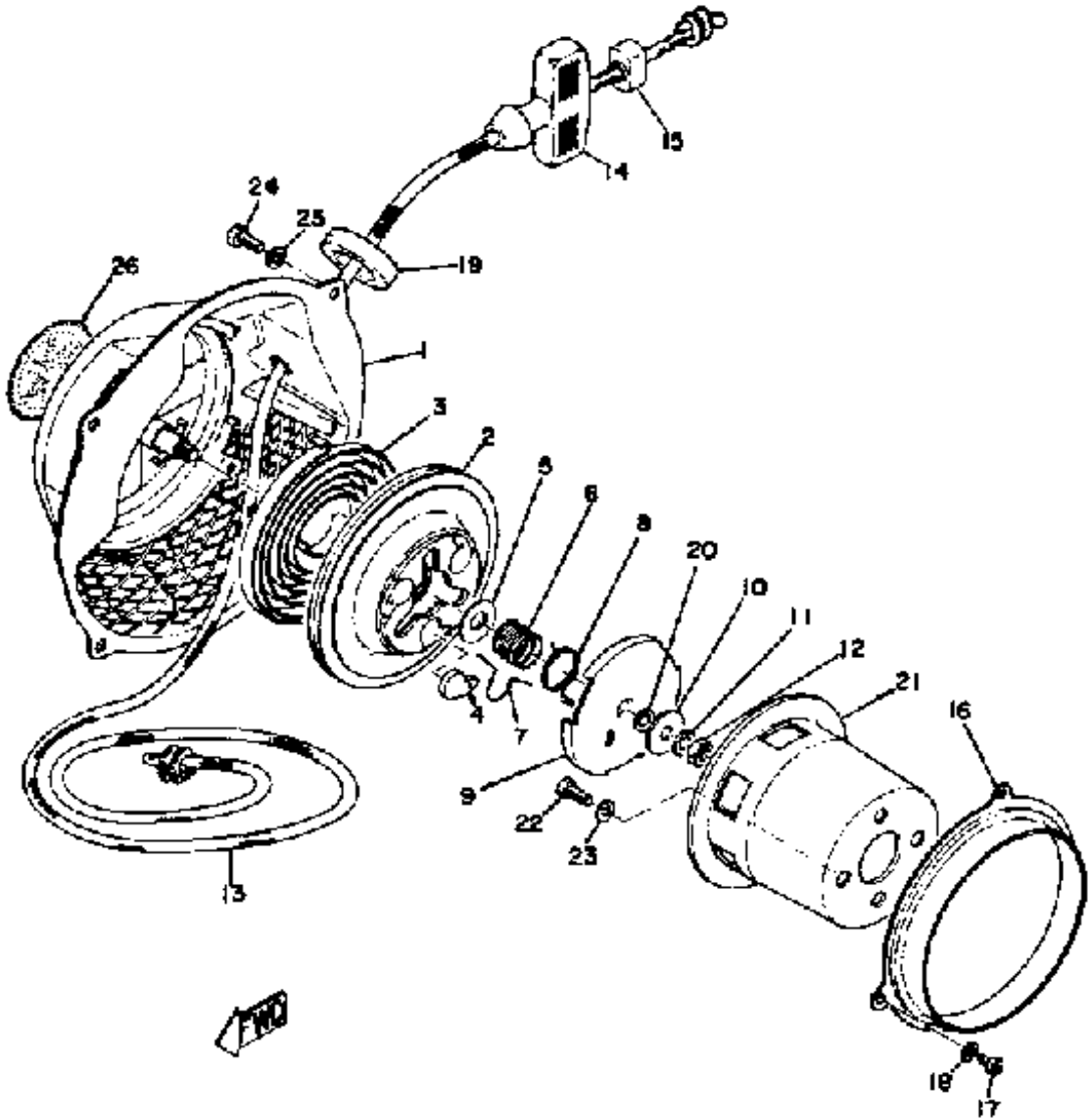
# EXHAUST



Ref. No.	Part Number	Description	Qty	Remarks
1	(846-14610-00-00)	EXHAUST PIPE ASSEMBLY L	1	
2	821-14613-01-00	GASKET, EXHAUST PIPE	2	
3	(806-14561-00-00)	O-RING	4	
4	92990-08100-00	WASHER	4	
5	(846-14710-00-00)	MUFFLER ASSEMBLY L	1	
6	821-14773-00-00	SPRING, MUFFLER	2	
7	90109-08293-00	BOLT	2	
8	(812-14793-00-00)	PLATE, MUFFLER	4	
9	90501-18114-00	SPRING, COMPRESSION	4	
10	90201-10437-00	WASHER, PLATE	4	
11	(90560-08065-00)	SPACER	2	
12	92990-08100-00	WASHER	2	
13	(90201-07080-00)	WASHER, PLATE	2	
14	841-14720-01-00	MUFFLER ASSEMBLY R	1	
15	841-14718-00-00	PROTECTOR, MUFF 1	1	
16	(841-14771-02-00)	STAY, MUFFLER 1	1	
17	(841-14747-01-00)	DAMPER, MUFFLER	3	
18	90109-06023-00	BOLT	3	
19	90201-085E6-00	WASHER PLATE	4	
20	(841-14757-00-00)	DAMPER, MUFFLER 2	3	
21	841-14714-00-00	GASKET, MUFFLER	1	
22	97313-08016-00	BOLT, HEXAGON	2	
23	92990-08100-00	WASHER	2	
24	92990-08200-00	WASHER, PLAIN	2	
25	(90504-30004-00)	SPRING, COMPRESSION	1	

Property of [www.SmallEngineDiscount.com](http://www.SmallEngineDiscount.com) - Not for Resale

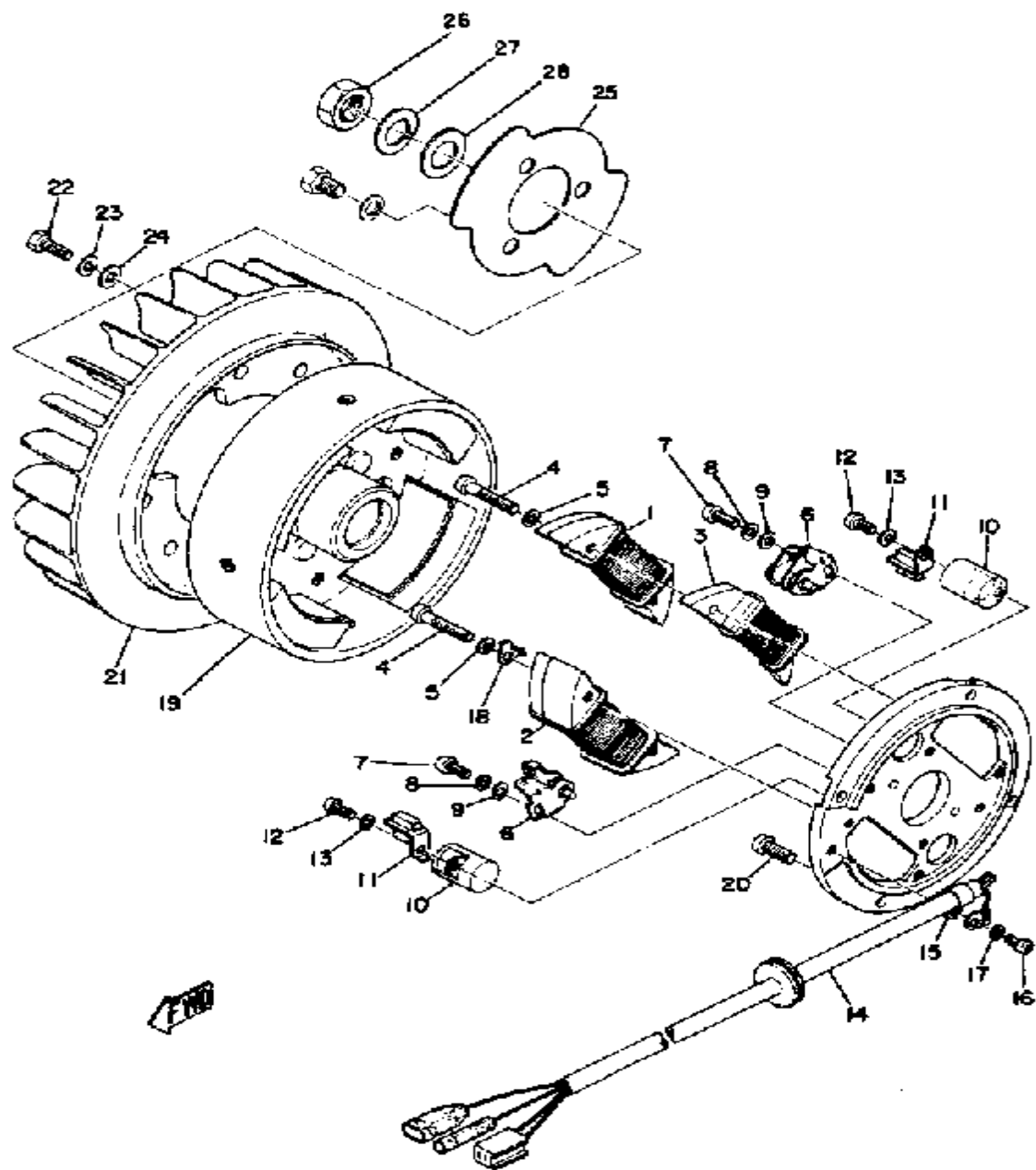
# STARTER



Ref. No.	Part Number	Description	Qty	Remarks
1	(821-15711-00-00)	CASE, STARTER	1	
2	811-15714-00-00	. DRUM, SHEAVE	1	
3	8Y0-15713-00-00	. SPRING, STARTER	1	
4	616-15741-01-00	. PAWL, DRIVE	3	
5	(802-15726-00-00)	WASHER, FLAT	1	
6	626-15715-01-00	. SPRING, DRIVE PLATE (807-15715-00)	1	
7	811-15784-00-00	. SPRING, RETURN	3	
8	811-15734-00-00	. SPRING, RETURN	1	
9	811-15716-00-00	. PLATE, DRIVE	1	
10	807-15726-01-00	. WASHER, FLAT	1	
11	92990-08100-00	. WASHER	1	
12	95303-08700-00	. NUT	1	
13	(807-15751-00-00)	ROPE, STARTER	1	
14	807-15755-00-00	. HANDLE, STARTER	1	
15	619-15756-00-00	. CONNECTOR 1	1	
16	(811-15782-00-00)	COVER, SHEAVE	1	
17	98580-05010-00	. SCREW, PAN HEAD	3	
18	92990-05100-00	. WASHER, SPRING	3	
19	(811-15775-00-00)	KNOB, STOPPER RING	1	
20	(811-15722-00-00)	SHIM	1	
21	(811-15723-00-00)	PULLEY, STARTER	1	
22	97313-08016-00	BOLT, HEXAGON	3	
23	92990-08100-00	WASHER	3	
24	97016-06016-00	BOLT	4	
25	92906-06100-00	WASHER, SPRING	4	
26	(838-15791-00-00)	EMBLEM	1	
-1	(821-15710-00-00)	STARTER ASSEMBLY	1	

Property of [www.SmallEngineDiscount.com](http://www.SmallEngineDiscount.com) - Not for Resale

# FLYWHEEL MAGNETO

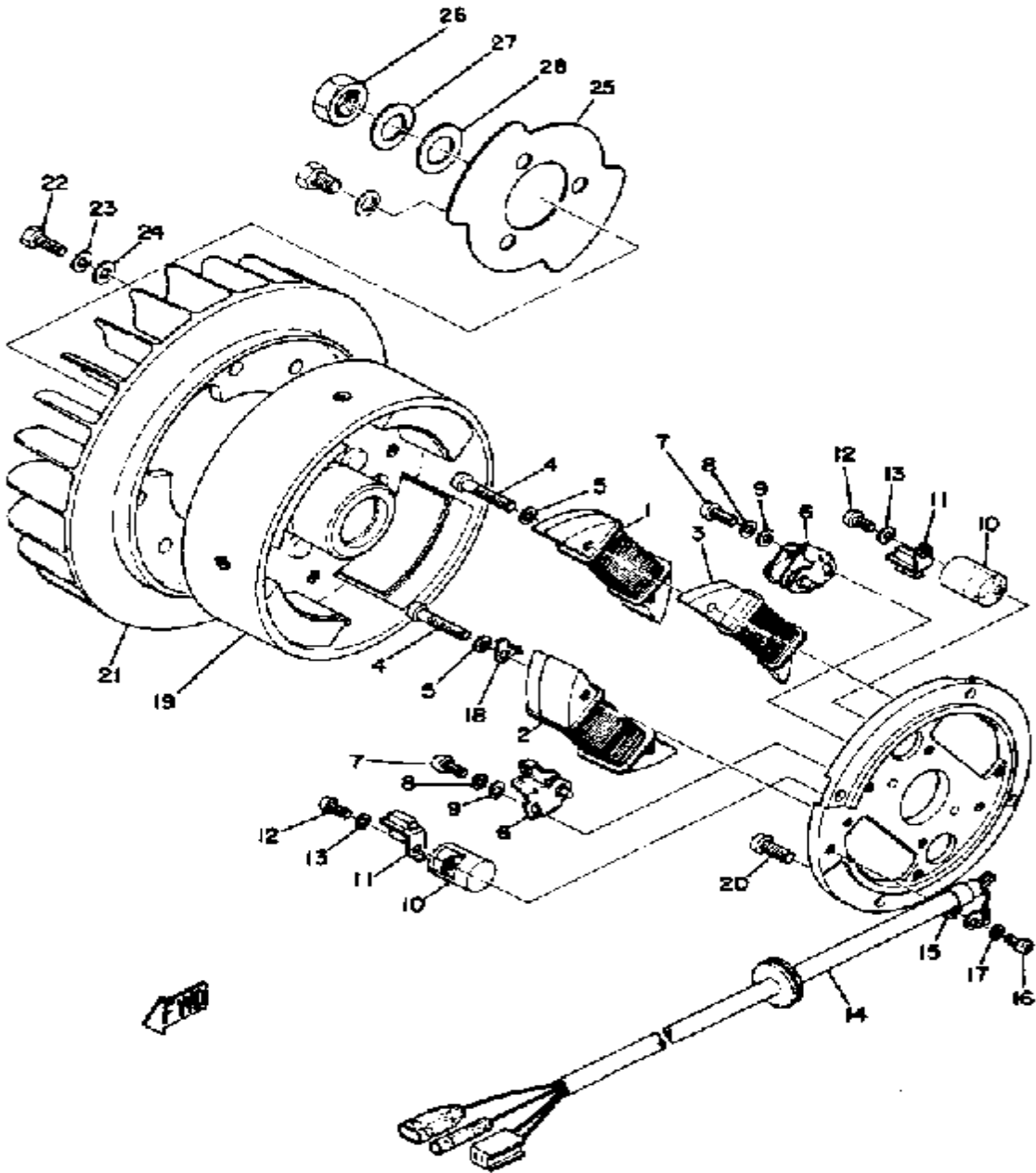


Ref. No.	Part Number	Description	Qty	Remarks
1	8A0-81312-20-00	. COIL, SOURCE .....	1	
2	(838-81313-20-00)	COIL, LIGHTING 1 .....	1	
3	(838-81314-20-00)	COIL, LIGHTING 2 .....	1	
4	802-81345-20-00	. SCREW, PAN HEAD .....	4	
5	92990-05100-00	. WASHER, SPRING .....	4	
6	806-81321-20-00	. CONTACT BRKR ASSEMBLY	2	
7	110-81346-21-00	. SCREW, PAN HEAD .....	2	
8	92901-04100-00	. WASHER, SPRING .....	2	
9	92990-04200-00	. WASHER, PLAIN .....	2	
10	802-81325-90-00	. CONDENSER 1 .....	2	
11	(834-81331-20-00)	LUBRICATOR .....	2	
12	110-81346-21-00	. SCREW, PAN HEAD .....	2	
13	92901-04100-00	. WASHER, SPRING .....	2	
14	(838-81315-21-00)	LEAD WIRE ASSEMBLY .....	1	
15	104-81328-20-00	. CLAMP .....	1	
16	98580-04008-00	. SCREW, PAN HEAD .....	1	
17	92901-04100-00	. WASHER, SPRING .....	1	
18	(812-81332-20-00)	PLATE, TIMING .....	1	
19	(838-81350-20-00)	ROTOR ASSEMBLY .....	1	
20	98503-06014-00	SCREW, PAN HEAD (92502-06016) .....	4	
21	838-12611-00-00	FAN .....	1	
22	(90101-06004-00)	BOLT .....	6	
23	92995-06100-00	WASHER, SPRING .....	6	
24	90201-06M08-00	WASHER, PLATE .....	6	
25	(812-81362-00-00)	COVER, HOLE .....	1	
26	90170-16182-00	NUT .....	1	
27	92901-16100-00	WASHER, SPRING .....	1	
28	(92901-16247-00)	WASHER .....	1	

CONTINUED ON NEXT FRAME ►

Property of [www.SmallEngineDiscount.com](http://www.SmallEngineDiscount.com) - Not for Resale

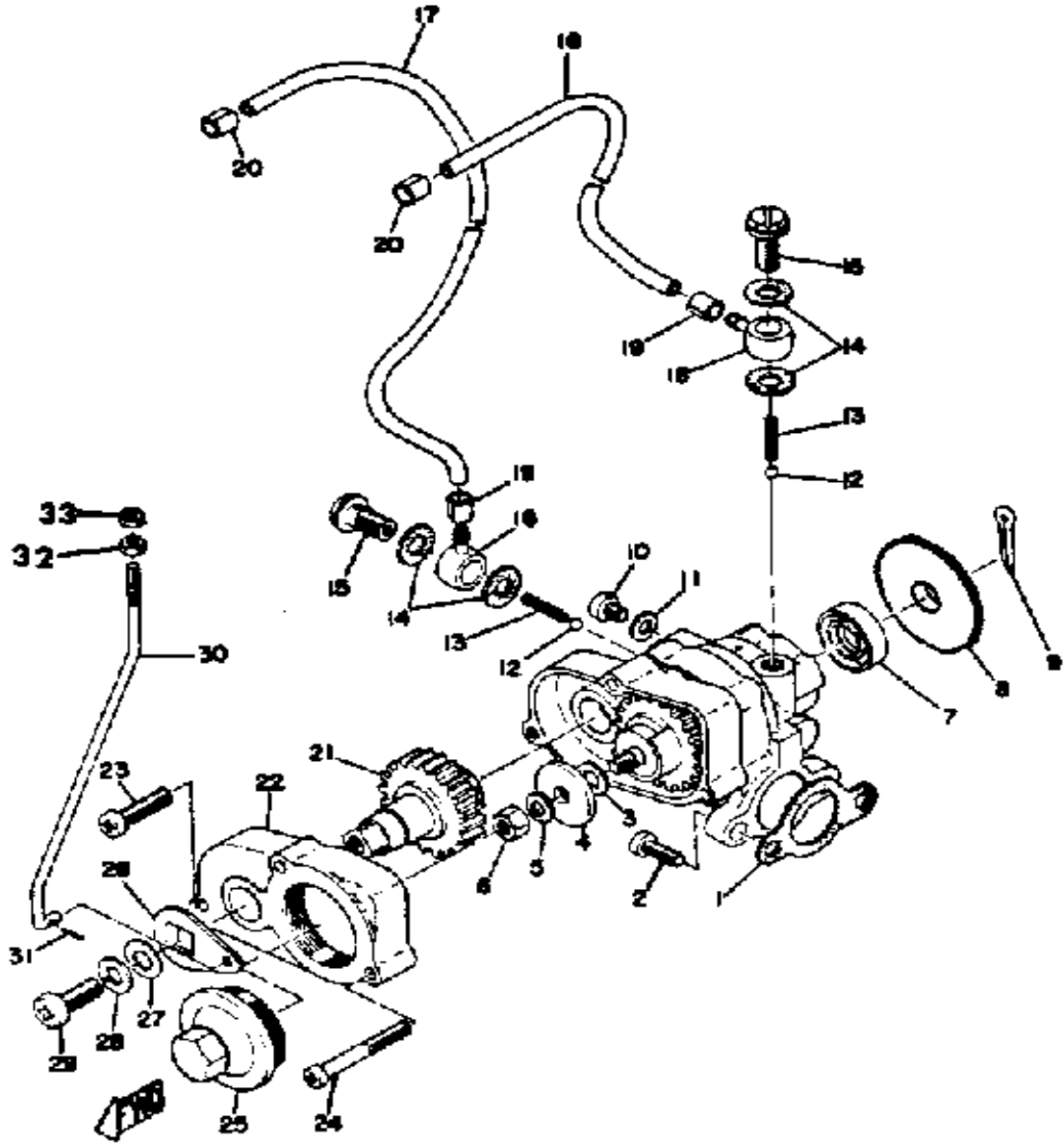
# FLYWHEEL MAGNETO



Ref. No.	Part Number	Description	Qty	Remarks
-1	(861-81300-20-00)	FLYWHL MAGNETO ASSEMBLY .....	1	SEE NOTE

Property of [www.SmallEngineDiscount.com](http://www.SmallEngineDiscount.com) - Not for Resale

# OIL PUMP

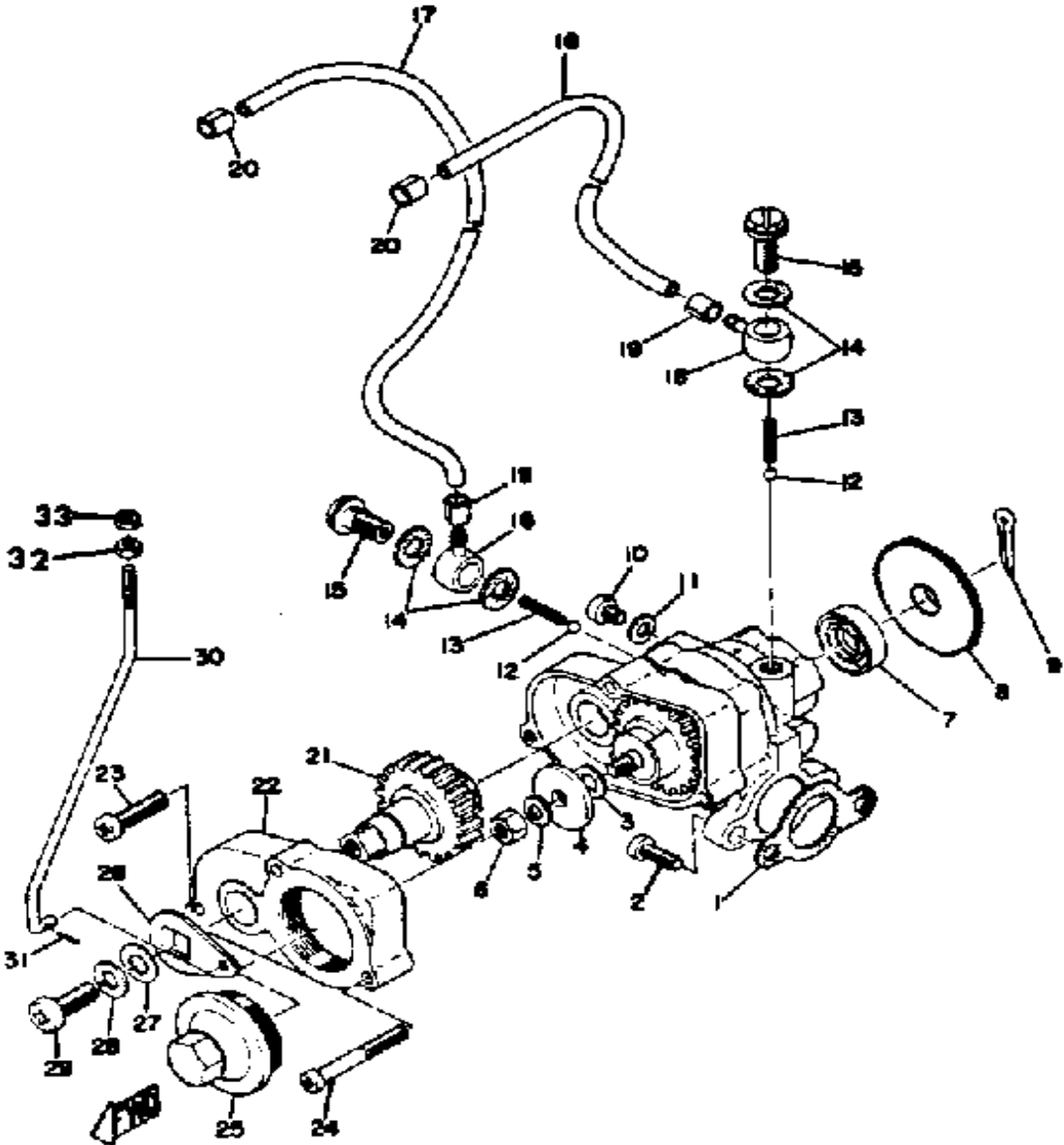


Ref. No.	Part Number	Description	Qty	Remarks
1	3MT-13116-00-00	GASKET, PUMP CASE (8Y0-13116-00)	1	
2	98580-05016-00	SCREW, PAN HEAD	2	
3	(137-13137-00-30)	SHIM, PLUNGER	1	
	137-13137-00-10	. SHIM (1.0T)	1	
4	137-13138-01-00	. PLATE, ADJUSTING	1	
5	92990-05100-00	. WASHER, SPRING	1	
6	95380-05600-00	. NUT	1	
7	93101-10090-00	. OIL SEAL	1	
8	(137-13128-00-00)	PLATE, STARTER	1	
9	91401-12018-00	. PIN, COTTER	1	
10	98901-04008-00	. SCREW, BIND	1	
11	90430-04004-00	. GASKET	1	
12	93505-32002-00	. BALL	2	
13	(90501-02017-00)	SPRING, COMPRESSION	2	
14	90430-06011-00	. GASKET	4	
15	90401-06001-00	. BOLT, UNION	2	
16	90445-05020-00	. HOSE (3-90) (807-13161-01)	1	FOR TWIN CARB
17	90445-05029-00	. HOSE (807-13171-00)	1	FOR SINGLE CARB
	90445-05189-00	. HOSE (807-13171-01)	1	FOR TWIN CARB
18	214-13162-01-00	. BANJO, DLVRY PIPE	2	
19	90468-02033-00	. CLIP	2	
20	90468-02033-00	CLIP	2	
21	(838-13154-01-00)	GEAR, PUMP CONTROL	1	
22	(821-13146-00-00)	COVER, AJST PULLEY	1	
23	98511-04020-00	SCREW, PAN HEAD	1	
24	98501-04035-00	SCREW, PAN HEAD	2	
25	(807-13143-00-00)	CAP, PUMP CASE	1	
26	(846-13156-00-00)	LEVER, PUMP CONTROL	1	

CONTINUED ON NEXT FRAME ➤

Property of [www.SmallEngineDiscount.com](http://www.SmallEngineDiscount.com) - Not for Resale

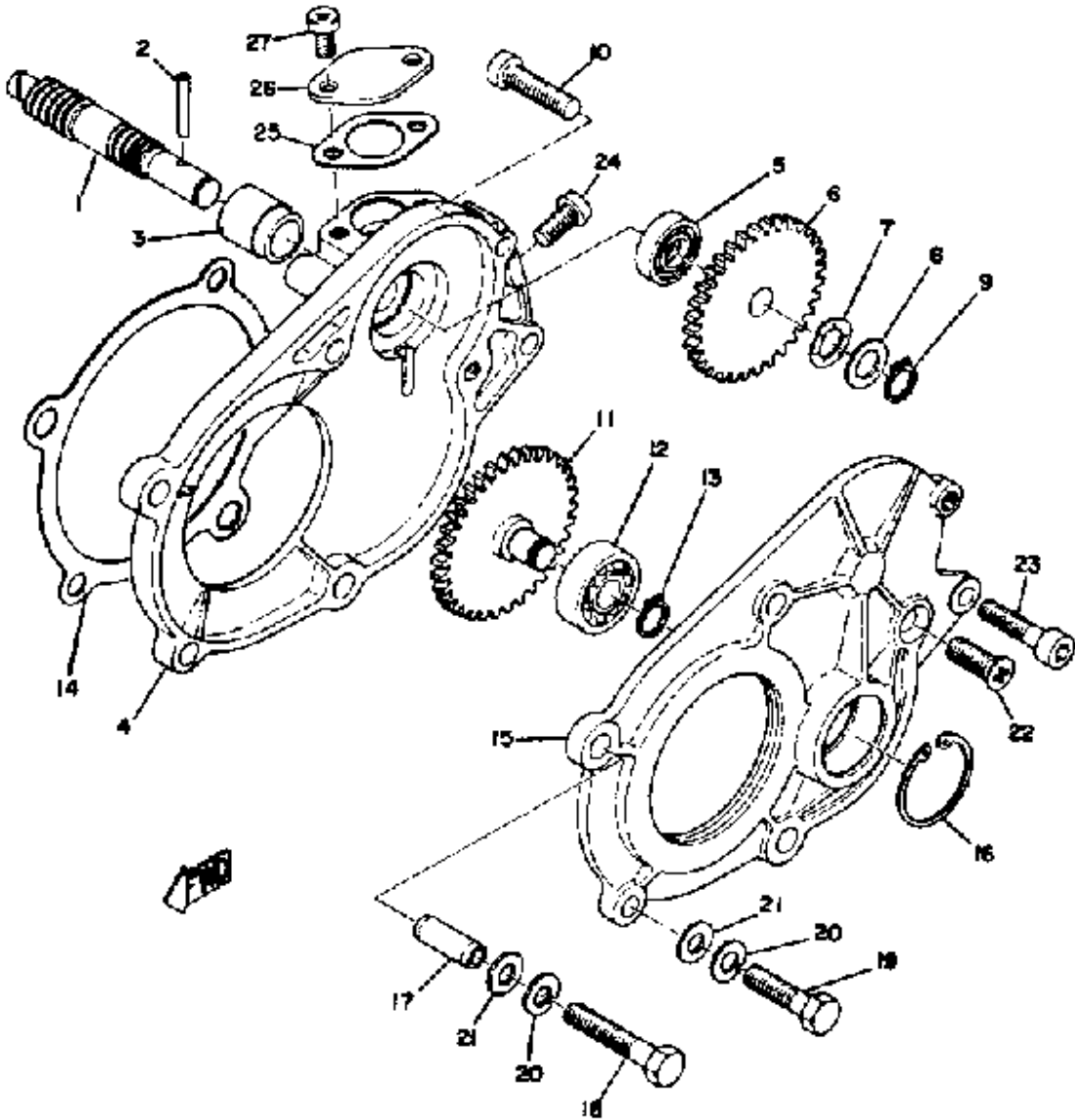
# OIL PUMP



Ref. No.	Part Number	Description	Qty	Remarks
27	92990-06200-00	WASHER .....	1	
28	98501-06100-00	SCREW, PAN HEAD .....	1	
29	98503-06014-00	SCREW, PAN HEAD (92502-06016) .....	1	
30	(846-13157-00-00)	ROD, PUMP CONTROL .....	1	
	824-13157-00-00	ROD, PUMP CONTROL .....	1	FOR SINGLE CARB
31	91490-12012-00	PIN, COTTER .....	1	
32	90170-03008-00	NUT, HEXAGON (807-13139-00) .....	1	
33	90185-03007-00	NUT, SELF-LOCKING (838-13139-00) .....	1	
-1	(846-13101-00-00)	OIL PUMP ASSEMBLY .....	1	

Property of [www.SmallEngineDiscount.com](http://www.SmallEngineDiscount.com) - Not for Resale

# PUMP DRIVE GEAR

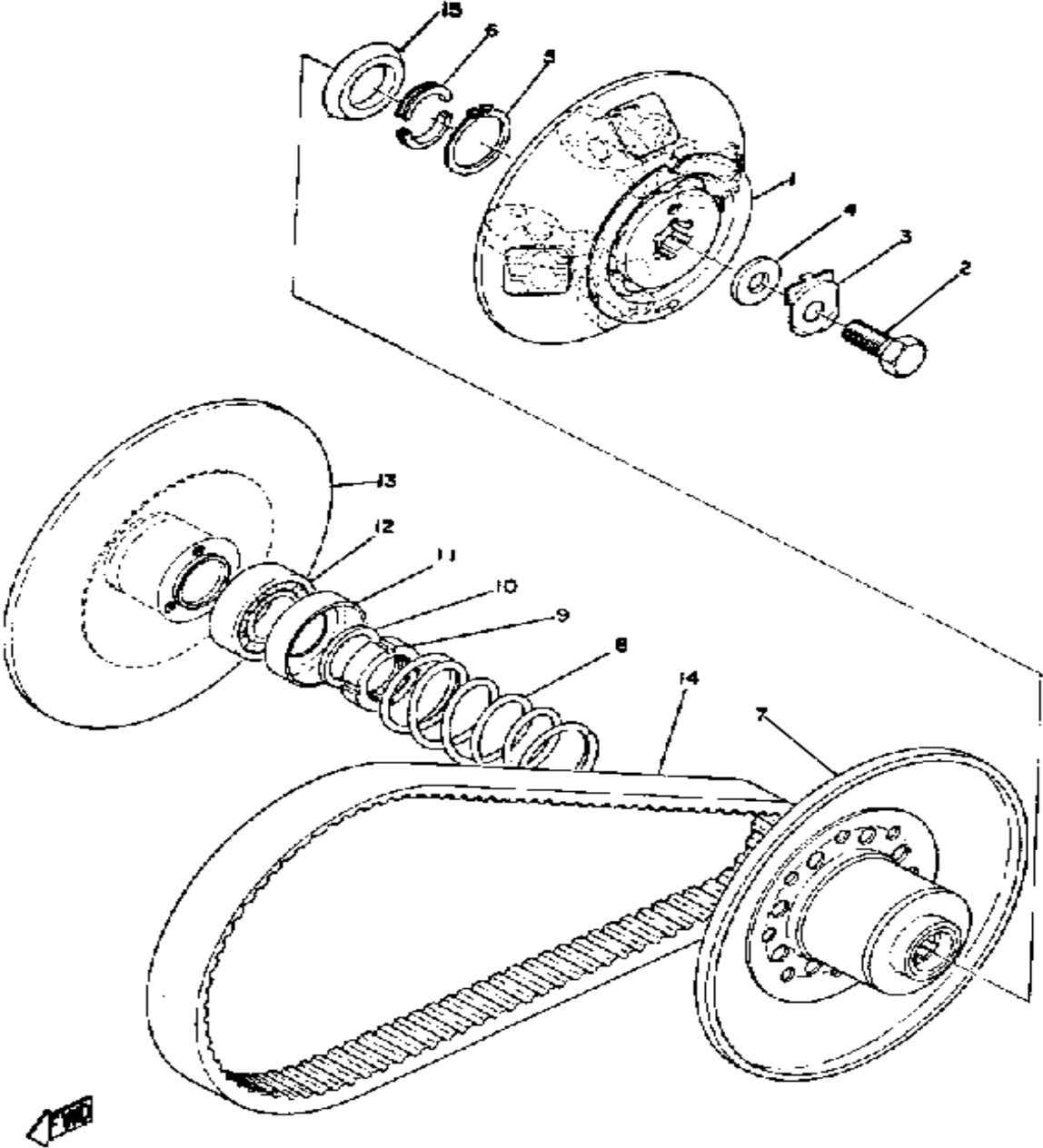


Ref. No.	Part Number	Description	Qty	Remarks
1	821-13175-00-00	SHAFT, WORM	1	
2	93603-22028-00	PIN, DOWEL	1	
3	821-13176-00-00	METAL, WORM SHAFT OUTER	1	
4	(8E3-15416-00-00)	COVER, OIL PUMP	1	
5	93101-10090-00	OIL SEAL	1	
6	821-13188-00-00	GEAR, DRIVE (32T)	1	
7	90206-11016-00	WASHER, WAVE	1	
8	137-13148-00-00	PLATE, CAM THRUST	1	
9	99009-10400-00	CIRCLIP	1	
10	98511-06025-00	SCREW PAN HEAD (92501-06025)	1	
11	(821-13179-00-00)	GEAR, IDLE	1	
12	93306-00002-00	BEARING (B6000RS)	1	
13	99009-10400-00	CIRCLIP	1	
14	838-15456-00-00	GASKET, O/PMP CVR 1	1	
15	838-15426-00-00	COVER, OIL PUMP R	1	
16	93420-26024-00	CIRCLIP, R-TYPE (R-26)	1	
17	91810-18022-00	PIN, DOWEL	2	
18	97013-06035-00	BOLT	2	
19	97011-06025-00	BOLT (97001-06025)	2	
20	92995-06100-00	WASHER, SPRING	4	
21	92990-06200-00	WASHER	5	
22	98701-06014-00	SCREW, FLAT HEAD	1	
23	91316-06025-00	BOLT	1	
24	98580-06012-00	SCREW, PAN HEAD	1	
25	821-17818-02-00	GASKET	1	
26	824-17819-00-00	CAP, HOUSING	1	
27	98580-05010-00	SCREW, PAN HEAD	2	

Property of [www.SmallEngineDiscount.com](http://www.SmallEngineDiscount.com) - Not for Resale



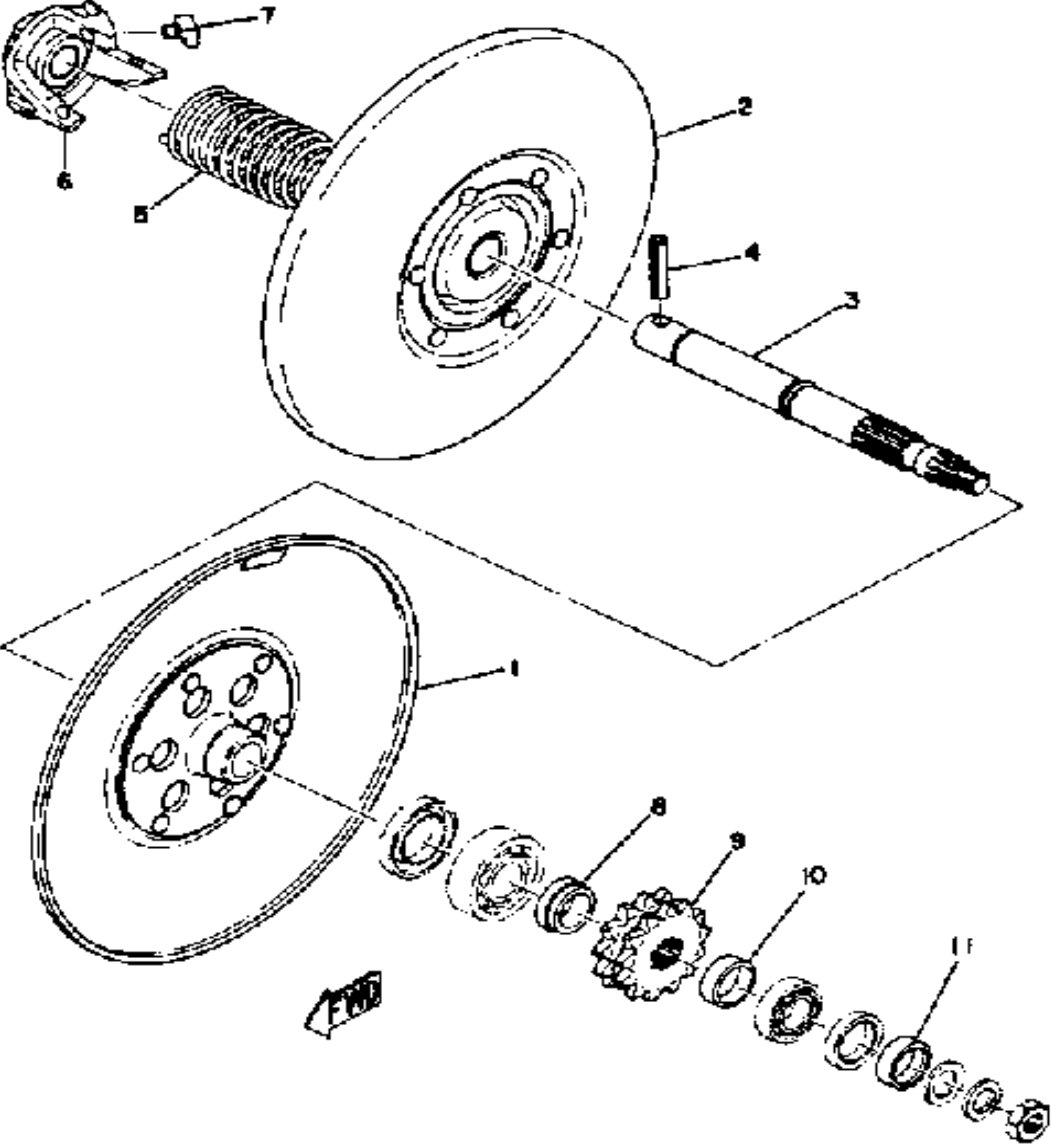
# PRIMARY SHEAVE



Ref. No.	Part Number	Description	Qty	Remarks
1	(823-W1762-00-00)	PRI. SHEAVE CAP	1	
2	(838-17647-01-00)	BOLT	1	
3	90215-12084-00	WASHER, LOCK	1	
4	90201-12191-00	WASHER, PLATE	1	
5	99009-30400-00	CIRCLIP	1	
6	806-17645-00-00	COLLAR	2	
7	(810-17620-01-00)	PRI SLIDG SHEAVE	1	
8	(846-17643-00-00)	SPRING, PRIMARY 0 1	1	1~ SNB 61
	(90501-45162-00)	SPRING, COMPRESSION	1	
	90501-45160-00	SPRING, COMPRESSION	1	
9	(810-17642-00-00)	NUT, BEARING	1	
10	90208-28003-00	WASHER, CONICAL SPR	1	
11	806-17644-00-00	SEAT, SPRING	1	
12	93306-20567-00	BEARING	1	
13	(821-W1761-00-00)	PRI. FIXED SHEAVE	1	
14	820-17641-00-00	V-BELT	1	
15	(809-17623-00-00)	CAM	1	
	(809-17623-00-00)	CAM	1	SNB 61A
	(846-17000-01-00)	CLUTCH WEIGHT KIT	1	SNB 61A
	(90215-08027-00)	WASHER, LOCK	1	SNB 61A
	802-17682-40-00	SPRKT, CHAIN DR 13TCHAIN DRIVE (13T) (806-17682-30-0)	1	SNB 61A
	90215-12084-00	WASHER, LOCK	1	SNB 61A
	95380-06600-00	NUT	2	SNB 61A
	97313-06016-00	BOLT, HEXAGON	2	SNB 61A
	UNA-VAILA-BL-EI	0 0		

Property of [www.SmallEngineDiscount.com](http://www.SmallEngineDiscount.com) - Not for Resale

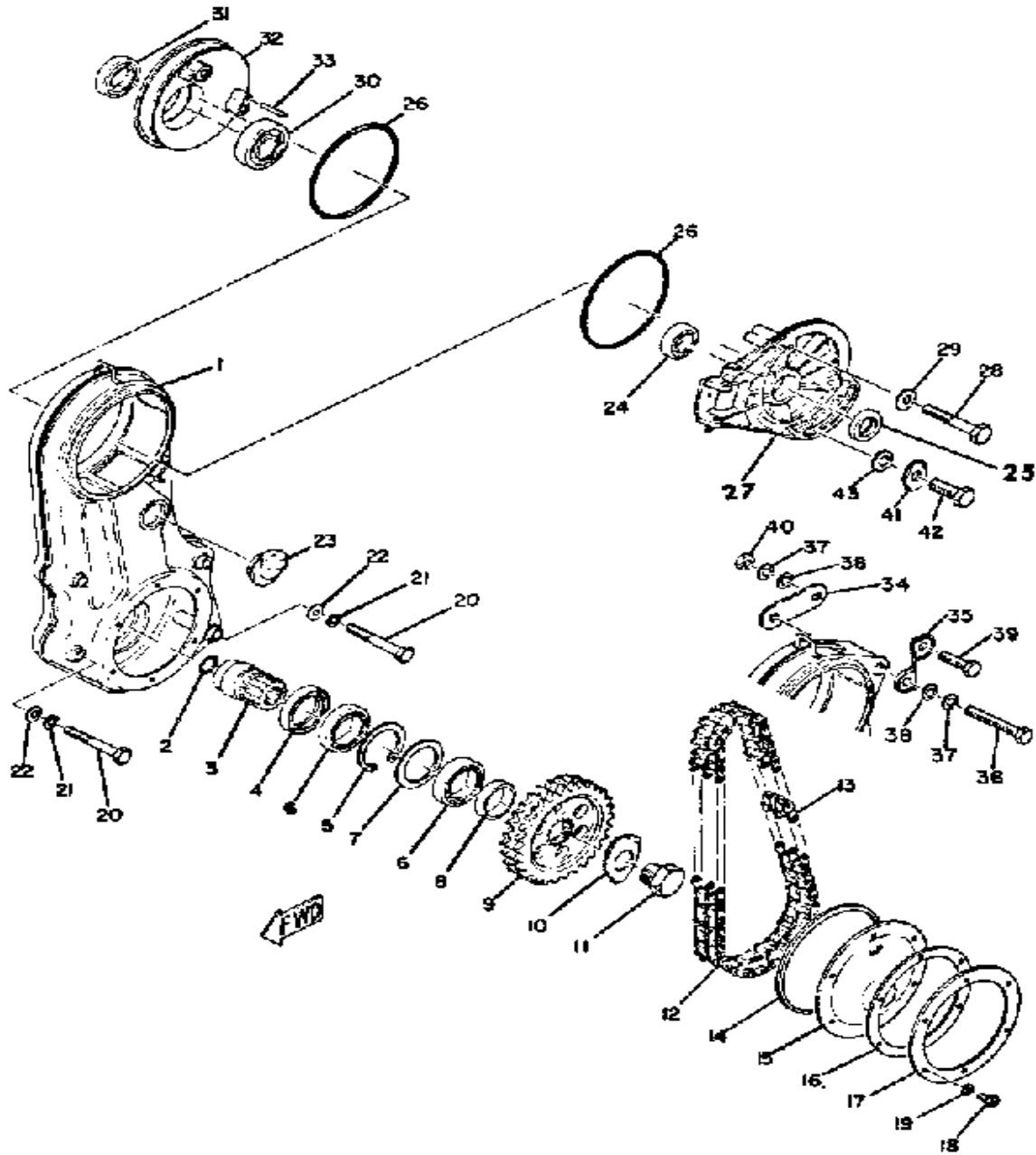
# SECONDARY SHEAVE



Ref. No.	Part Number	Description	Qty	Remarks
1	(810-17660-00-00)	SEC FXD SHV .....	1	
2	(810-17670-00-00)	SEC SLIDING SHEAVE .....	1	
3	(810-17681-00-00)	SHAFT, SECONDARY .....	1	
4	91609-80040-00	PIN, SPRING .....	1	
5	805-17683-00-00	SPRING, SECONDARY (805-17683-00) .....	1	
6	810-17684-01-00	SEAT, SEC SPRINGSRING ..	1	
7	801-17688-10-00	SHOE, RAMP .....	3	
8	90387-19149-00	COLLAR (812-17685-00) .....	1	
9	(810-17682-50-00)	SPRKT, CHAIN DR 15T .....	1	U.R.
	802-17682-20-00	SPROCKET, CHAIN DRIVE (11T) .....	1	U.R.
	802-17682-40-00	SPRKT, CHAIN DR 13TCHAIN DRIVE (13T) (806-17682-30-0) .	1	U.R. STD
	806-17682-20-00	SPROCKET, CHAIN DRIVE (12T) .....	1	U.R.
	806-17682-40-00	SPROCKET, CHAIN DRIVE (14T) .....	1	U.R.
10	90387-17133-00	COLLAR .....	1	
11	90387-17130-00	COLLAR (818-17686-00) .....	1	

Property of [www.SmallEngineDiscount.com](http://www.SmallEngineDiscount.com) - Not for Resale

# TRACK DRIVE

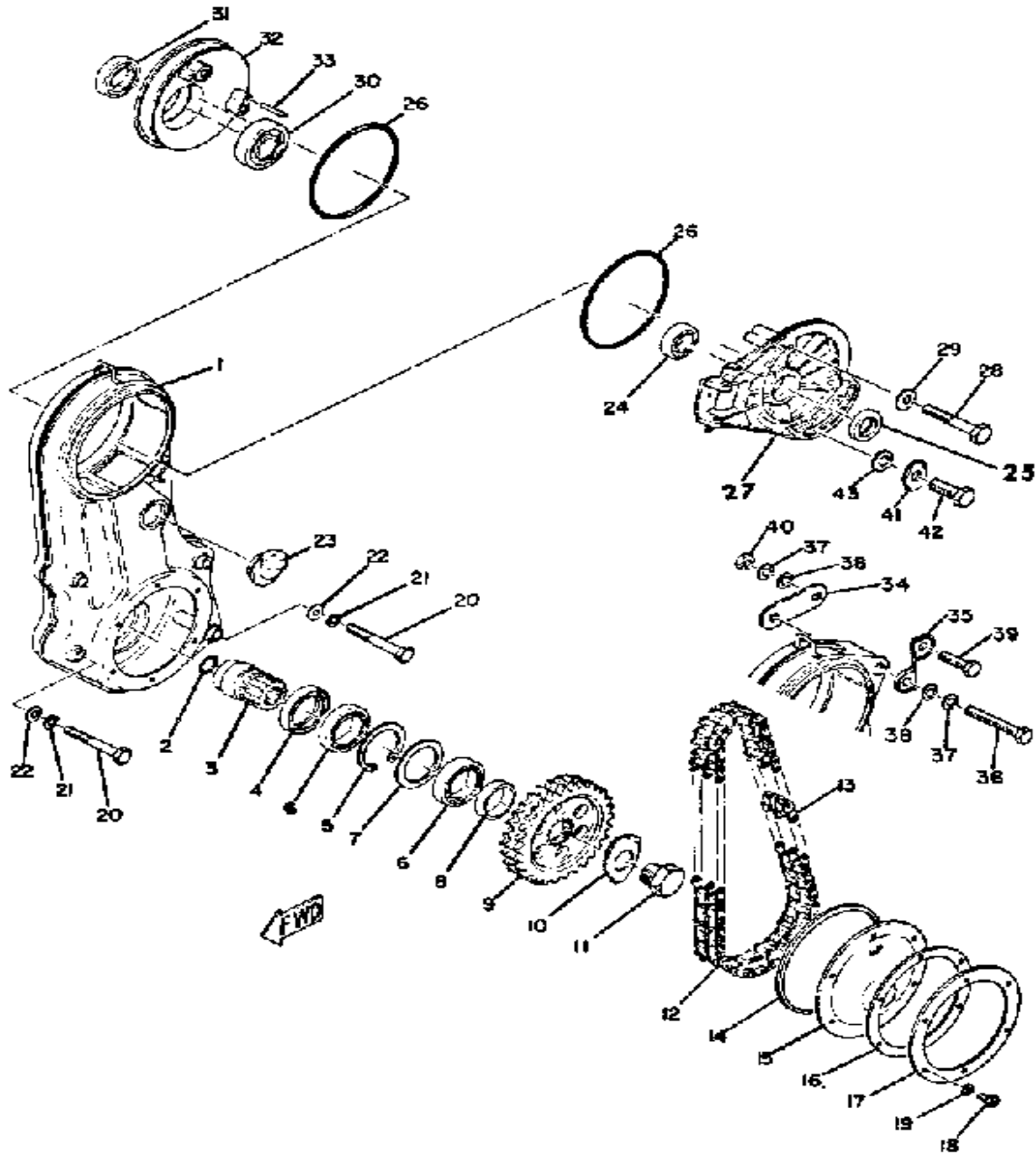


Ref. No.	Part Number	Description	Qty	Remarks
1	(844-47541-00-00)	HOUSING, CHAIN	1	
2	93210-25070-00	O-RING	1	
3	(841-47571-00-00)	JOURNAL 1	1	
4	93102-40080-00	OIL SEAL, SD-TYPE	1	
5	93420-55028-00	CIRCLIP, R-TYPE	1	
6	93306-90702-00	BEARING	2	
7	90560-35050-00	SPACER	1	
8	90387-35206-00	COLLAR	1	
9	(802-47548-40-00)	SPROCKET, CHN DRVN	1	U.R. STD
	(802-47548-60-00)	SPROCKET, CHN DRVN	1	U.R.
	802-47548-50-00	SPROCKET, CHN DRVN	1	U.R.
10	90215-24029-00	WASHER, LOCK	1	
11	90109-24203-00	BOLT	1	
12	94804-25068-00	CHAIN	1	
13	94904-25001-00	. JOINT CHAIN	1	
14	(806-47558-00-00)	RING, HOUSING	1	
15	(821-47543-00-00)	CAP, HOUSING	1	
16	821-47544-00-00	GASKET	1	
17	(821-47591-00-00)	PLATE	1	
18	90143-05004-00	SCREW, HEXAGON	6	
19	90210-05005-00	WASHER, SEAL	6	
20	97021-08070-00	BOLT	4	
21	92990-08100-00	WASHER	4	
22	92990-08200-00	WASHER, PLAIN	4	
23	(861-47559-00-00)	CAP 2	1	
24	93306-20310-00	BEARING	1	
25	93102-22087-00	OIL SEAL	1	
26	93211-13109-00	O-RING	2	
27	845-47561-01-00	HOUSING, SEC SHAFT	1	

CONTINUED ON NEXT FRAME ➤

Property of [www.SmallEngineDiscount.com](http://www.SmallEngineDiscount.com) - Not for Resale

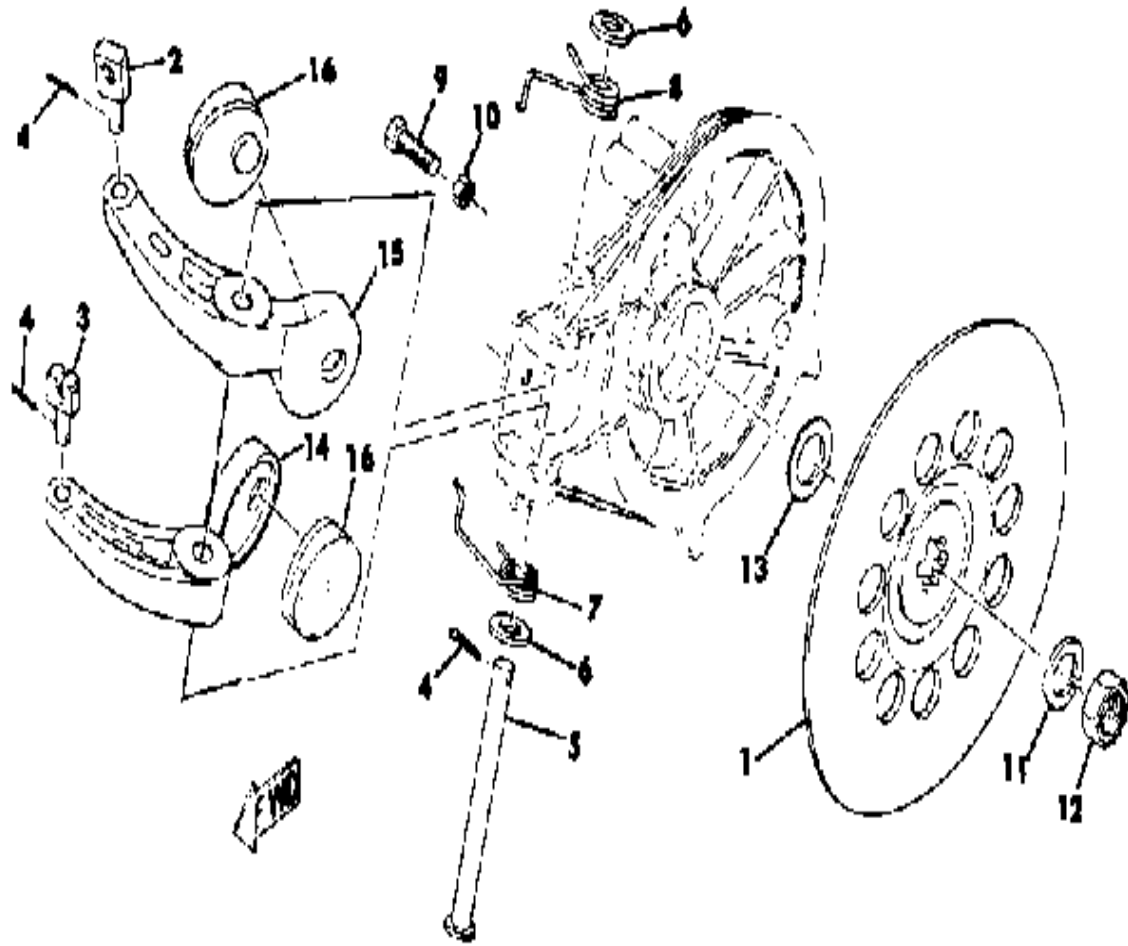
# TRACK DRIVE



Ref. No.	Part Number	Description	Qty	Remarks
28	97013-08060-00	BOLT (663)	2	
29	90210-08002-00	WASHER, SEAL	2	
30	93306-30407-00	BEARING (B6304C3)	1	
31	93102-30083-00	SEAL, OIL	1	
32	810-47562-00-00	HOUSING, SEC SHAFT	1	
33	93604-18058-00	PIN, DOWEL	2	
34	(844-47565-00-00)	STAY 1	1	
35	(844-47566-00-00)	STAY 2	1	
36	97021-08070-00	BOLT	1	
37	92990-08100-00	WASHER	2	
38	92990-08200-00	WASHER, PLAIN	2	
39	97313-08035-00	BOLT, HEXAGON	1	
40	95333-08600-00	NUT	1	
41	(90215-08027-00)	WASHER, LOCK	1	
42	97313-08016-00	BOLT, HEXAGON	1	
43	92990-08200-00	WASHER, PLAIN	1	

Property of [www.SmallEngineDiscount.com](http://www.SmallEngineDiscount.com) - Not for Resale

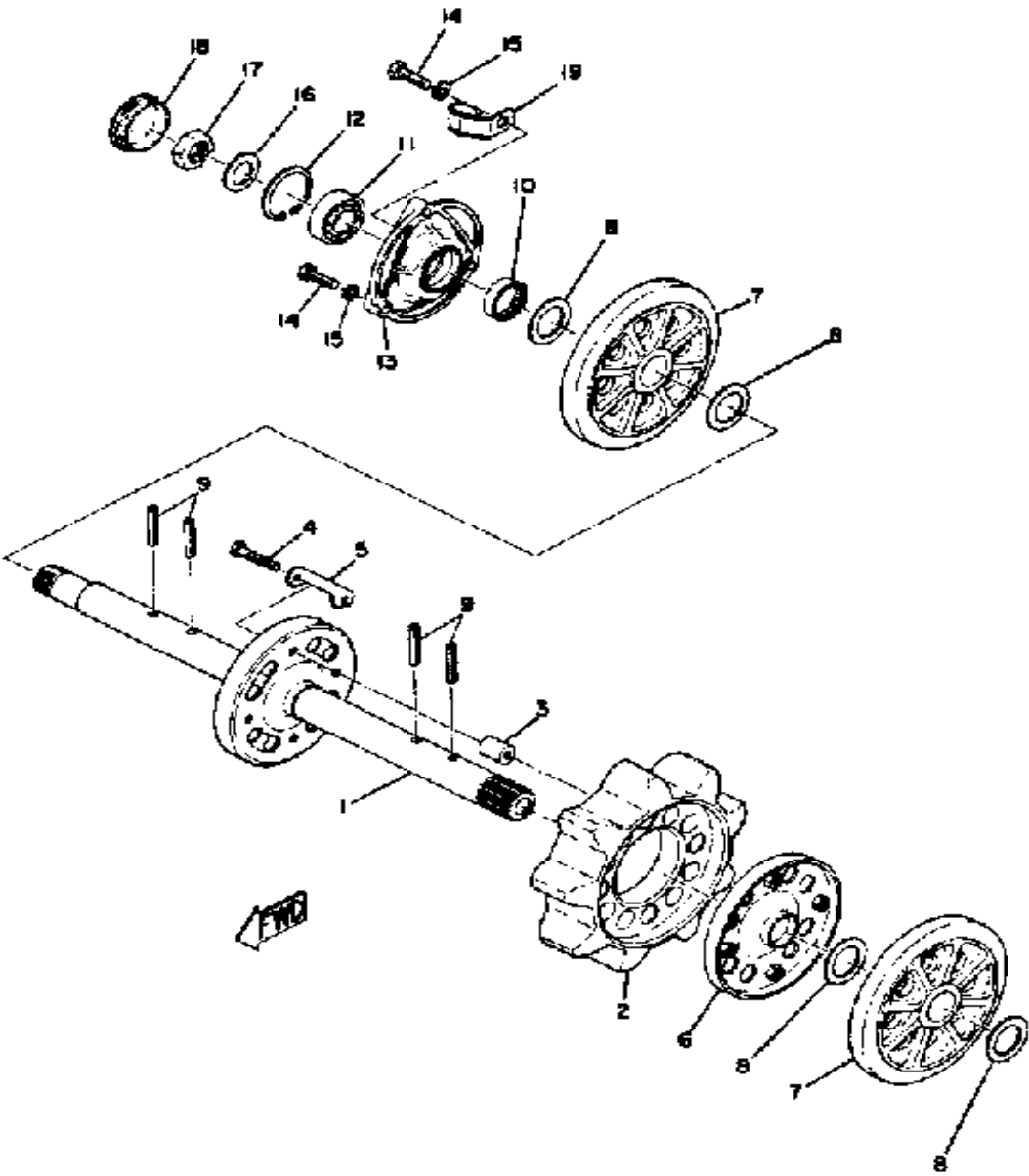
# BRAKE



Ref. No.	Part Number	Description	Qty	Remarks
1	845-25711-00-00	DISC, BRAKE	1	
2	90249-06012-00	PIN	1	
3	90249-06009-00	PIN	1	
4	91490-20020-00	PIN, COTTER	3	
5	90240-08023-00	PIN, CLEVIS	1	
6	92990-08200-00	WASHER, PLAIN	2	
7	(90508-29046-00)	SPRING, TORSION	1	
8	(90508-29045-00)	SPRING, TORSION	1	
9	97001-05018-00	BOLT HEXAGON	1	
10	95311-05700-00	NUT	1	
11	92901-12100-00	WASHER, SPRING	1	
12	95301-12700-00	NUT (95302-12700)	1	
13	(150-17417-00-03)	SHIM 1	1	
	150-17417-00-02	SHIM 1	1	
14	838-25731-00-00	BODY, CALIPER 1	1	
15	838-25740-00-00	PAD, CALIPER (R.H.)	1	
16	(826-25732-09-00)	PAD, CALIPER	2	

Property of [www.SmallEngineDiscount.com](http://www.SmallEngineDiscount.com) - Not for Resale

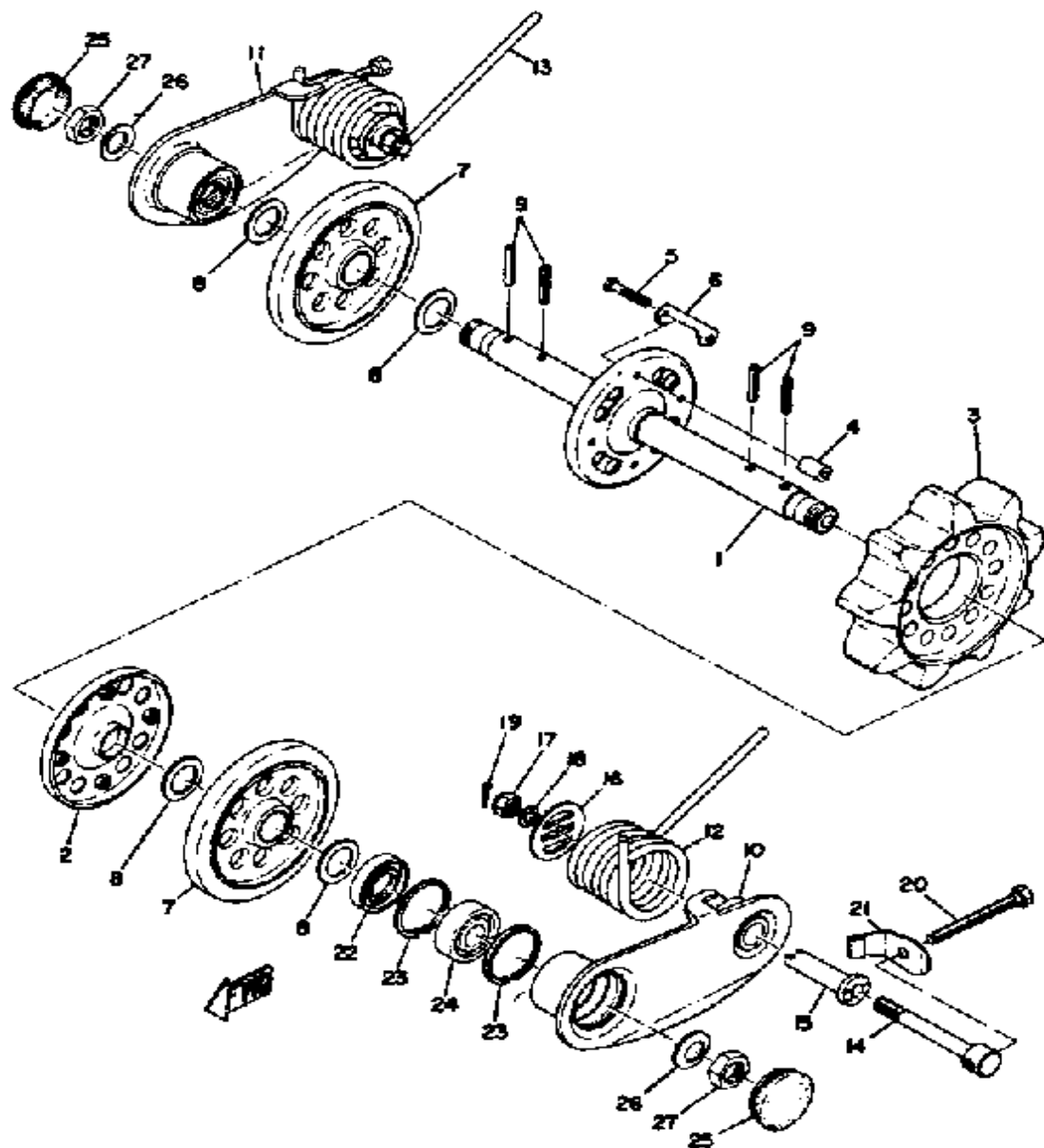
# FRONT AXLE



Ref. No.	Part Number	Description	Qty	Remarks
1	821-47510-00-00	FRONT AXLE .....	1	
2	810-47532-00-00	WHEEL, SPROCKET 2 .....	1	
3	(90387-06021-00)	COLLAR .....	4	
4	97013-06035-00	BOLT .....	4	
5	90215-06100-00	WASHER, LOCK .....	2	
6	(810-47522-00-00)	RIM, SPROCKET WHL 2 .....	1	
7	810-47530-00-00	GUIDE WHEEL .....	2	
8	90201-25499-00	WASHER, PLATE .....	4	
9	91609-60036-00	PIN, SPRING .....	4	
10	93102-25084-00	OIL SEAL, SD-TYPE .....	1	
11	93306-00412-00	BEARING .....	1	
12	93420-44029-00	CIRCLIP, R-TYPE .....	1	
13	841-47551-00-00	HOUSING, FRONT AXLE .....	1	
14	97013-08025-00	BOLT .....	3	
15	92990-08100-00	WASHER .....	3	
16	90208-22001-00	WASHER, CONICAL SPRING ..	1	
17	90170-22094-00	NUT .....	1	
18	810-47552-00-00	CAP .....	1	
19	90465-06100-00	CLAMP .....	1	

Property of [www.SmallEngineDiscount.com](http://www.SmallEngineDiscount.com) - Not for Resale

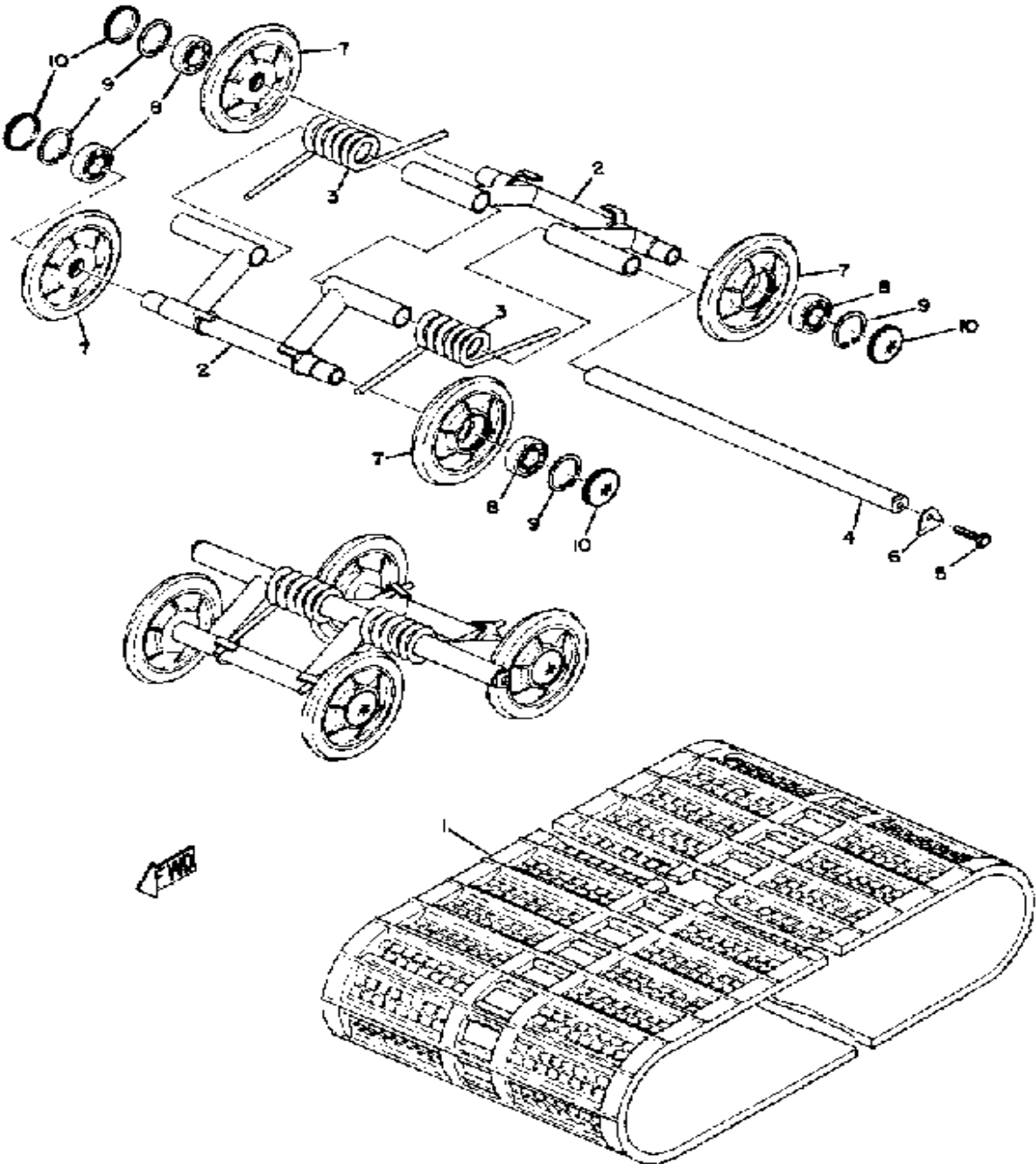
# REAR AXLE



Ref. No.	Part Number	Description	Qty	Remarks
1	821-47520-00-00	REAR AXLE .....	1	
2	(810-47522-00-00)	RIM, SPROCKET WHL 2 .....	1	
3	810-47532-00-00	WHEEL, SPROCKET 2 .....	1	
4	(90387-06021-00)	COLLAR .....	4	
5	97013-06035-00	BOLT .....	4	
6	90215-06100-00	WASHER, LOCK .....	2	
7	810-47530-00-00	GUIDE WHEEL .....	2	
8	90201-25499-00	WASHER, PLATE .....	4	
9	91609-60036-00	PIN, SPRING .....	4	
10	(810-47361-00-00)	ARM, REAR PIVOT 1 .....	1	
11	810-47362-00-00	ARM, REAR PIVOT 2 .....	1	
12	(90508-75086-00)	SPRING, TORSION .....	4	
13	90508-75116-00	SPRING, TORSION .....	1	
14	90149-08022-00	SCREW, SPEC'L SHAPE .....	2	
15	810-47369-00-00	COLLAR .....	2	
16	90209-08067-00	WASHER, SPEC'L SHAP .....	2	
17	90185-08089-00	NUT, SELF-LOCKING .....	2	
18	92990-08200-00	WASHER, PLAIN .....	2	
19	91401-30030-00	PIN, COTTER .....	2	
20	90106-08050-00	BOLT, DOME HEAD (841-47373-00) .....	2	
21	90215-08069-00	WASHER, LOCK .....	2	
22	93102-25081-00	OIL SEAL .....	2	
23	93420-44029-00	CIRCLIP, R-TYPE .....	4	
24	93306-00412-00	BEARING .....	2	
25	810-47552-00-00	CAP .....	2	
26	90208-22001-00	WASHER, CONICAL SPRING ..	2	
27	90170-22094-00	NUT .....	2	

Property of [www.SmallEngineDiscount.com](http://www.SmallEngineDiscount.com) - Not for Resale

# TRACK-SUSPENSION WHEEL

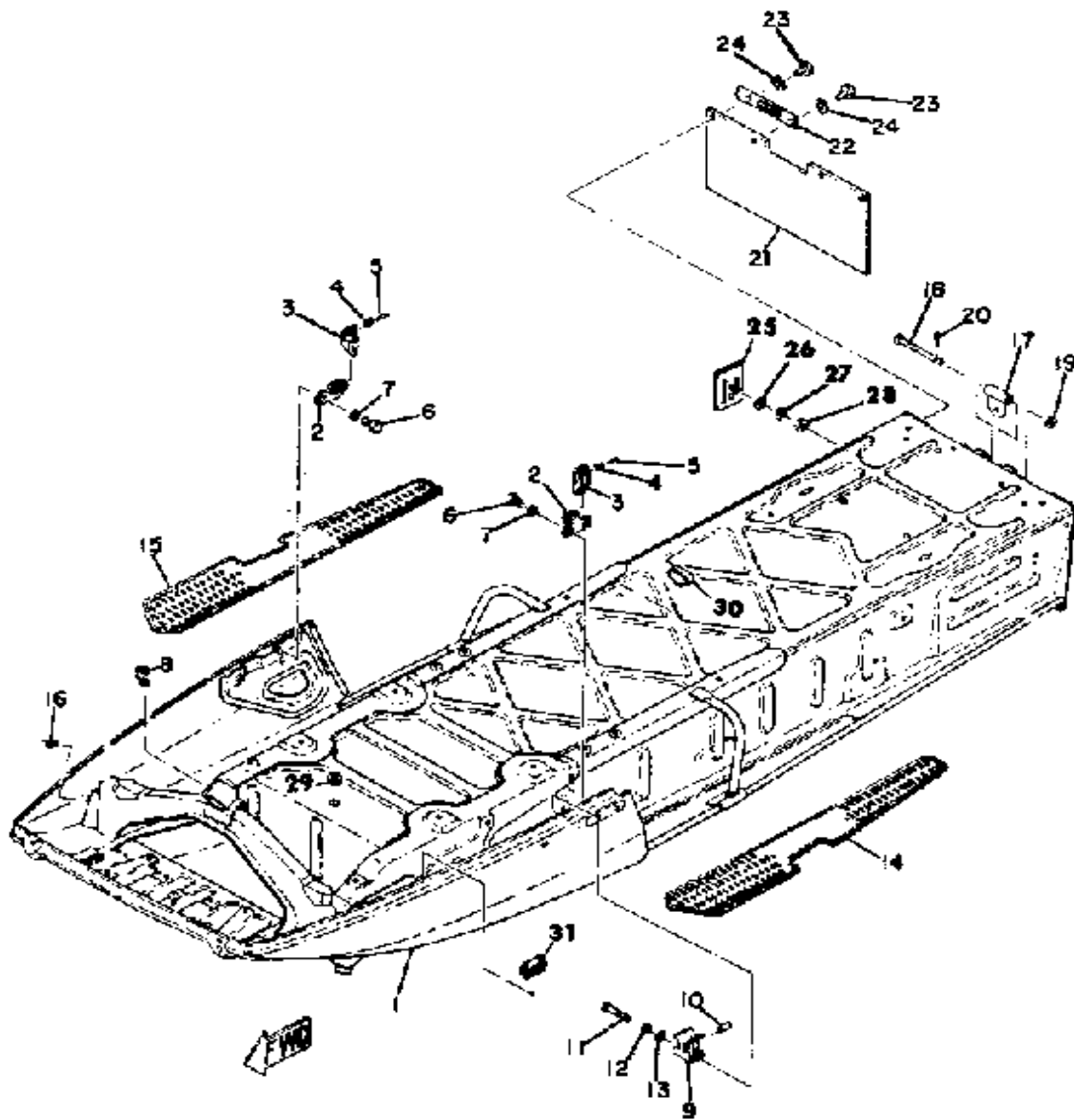


Ref. No.	Part Number	Description	Qty	Remarks
1	(861-47110-00-00)	TRACK ASSEMBLY	1	
2	(806-47331-01-00)	ARM, PIVOT 1	6	
3	90508-70099-00	SPRING, TORSION	4	CENTER/REAR
	90508-70100-00	SPRING, TORSION	2	FRONT
4	(802-47337-00-00)	SHAFT, PIVOT	3	
5	97313-08030-00	BOLT, HEXAGON	6	
6	(806-47347-00-00)	WASHER, LOCK	6	
7	885-47320-01-00	SUSPENSION WHEEL COMP.	12	
8	93306-00441-00	BEARING (89A) (B6004RS)	12	
9	99009-42500-00	CIRCLIP	12	
10	818-47317-01-00	CAP, WHEEL	12	

Property of [www.SmallEngineDiscount.com](http://www.SmallEngineDiscount.com) - Not for Resale



# FRAME

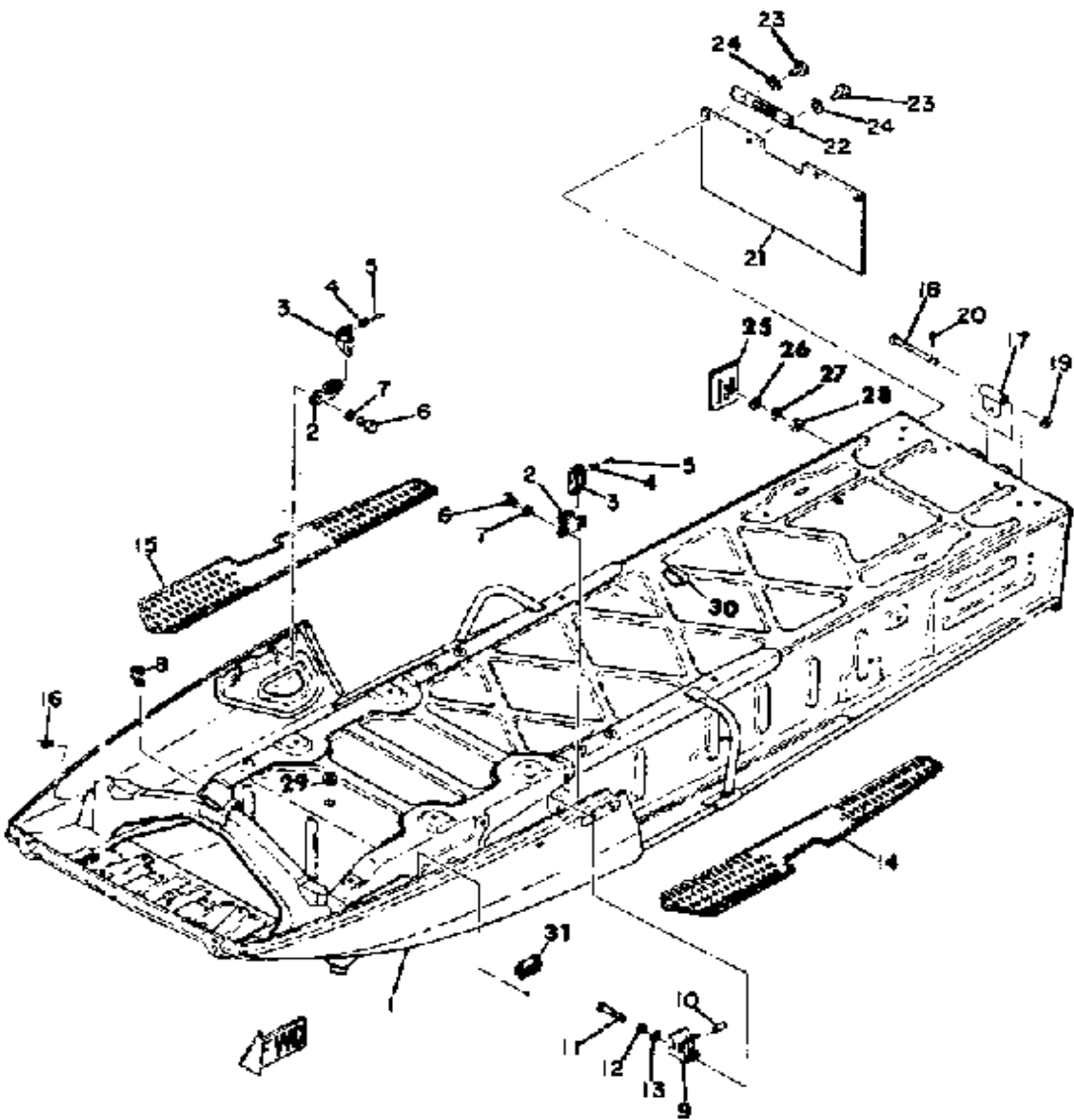


Ref. No.	Part Number	Description	Qty	Remarks
1	(841-21910-00-00)	FRAME .....	1	
2	(806-77172-00-00)	BODY, LATCH 2 .....	2	
3	806-77173-00-00	. LEVER, LATCH 1 .....	2	
4	90508-10012-00	. SPRING, TORSION .....	2	
5	90249-04068-00	. PIN, SPECL SHAPE .....	2	
6	97313-05016-00	BOLT, HEXAGON .....	4	
7	92990-05100-00	WASHER, SPRING .....	4	
8	(841-82591-00-00)	BAND .....	1	
9	90464-09006-00	CLAMP .....	2	
10	821-77188-01-00	STOPPER .....	2	
11	97026-06045-00	BOLT .....	2	
12	92906-06100-00	WASHER, SPRING .....	2	
13	92906-06200-00	WASHER .....	2	
14	878-27413-00-00	COVER, FOOTREST .....	1	
15	878-27423-00-00	COVER, FOOTREST .....	1	
16	93700-06M03-00	NIPPLE, GREASE .....	2	
17	802-77591-00-00	BRACKET, HITCH 1 .....	1	
18	(91701-08102-00)	PIN, CLEVIS .....	1	
19	92990-08200-00	WASHER, PLAIN .....	1	
20	91401-25020-00	PIN, COTTER .....	1	
21	(802-77595-02-00)	FLAP .....	1	
22	(802-77593-00-00)	PLATE, FLAP 1 .....	2	
23	97013-06012-00	BOLT .....	4	
24	92995-06100-00	WASHER, SPRING .....	4	
25	(821-85131-00-00)	REFLECTOR, REAR 1 .....	2	
26	92990-06200-00	WASHER .....	2	
27	92995-06100-00	WASHER, SPRING .....	2	
28	95701-06300-00	NUT, NYLON .....	2	
29	810-77716-00-00	ORNAMENT, INSTRUMENT PANEL 2 .....	1	

CONTINUED ON NEXT FRAME ➤

Property of [www.SmallEngineDiscount.com](http://www.SmallEngineDiscount.com) - Not for Resale

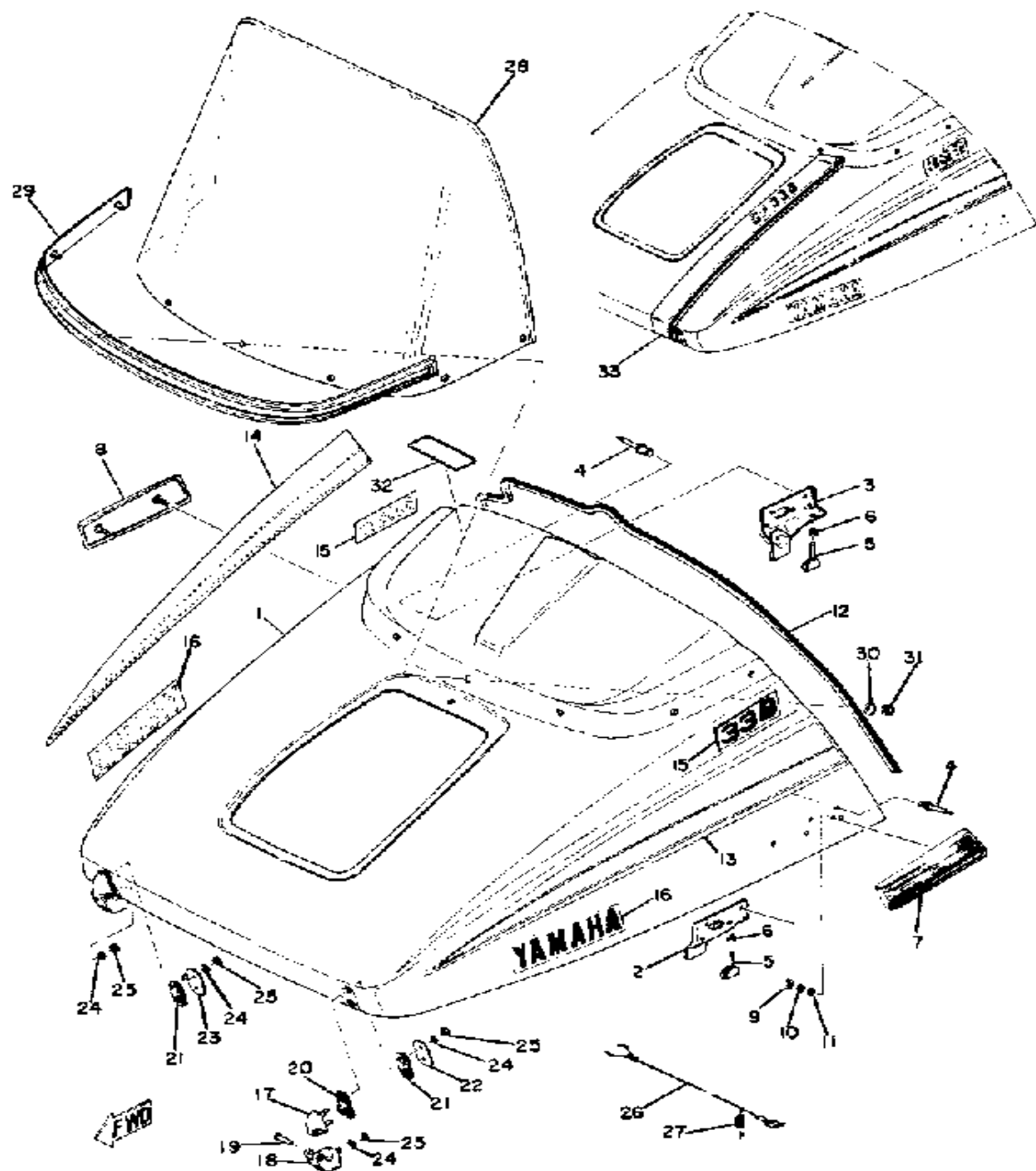
# FRAME



Ref. No.	Part Number	Description	Qty	Remarks
30	(90464-13008-00)	CLAMP .....	3	
31	(841-77161-00-00)	STRIP, WEATHER 1 .....	2	
-1	806-77170-00-00	LATCH ASSEMBLY .....	2	

Property of [www.SmallEngineDiscount.com](http://www.SmallEngineDiscount.com) - Not for Resale

# SHROUD

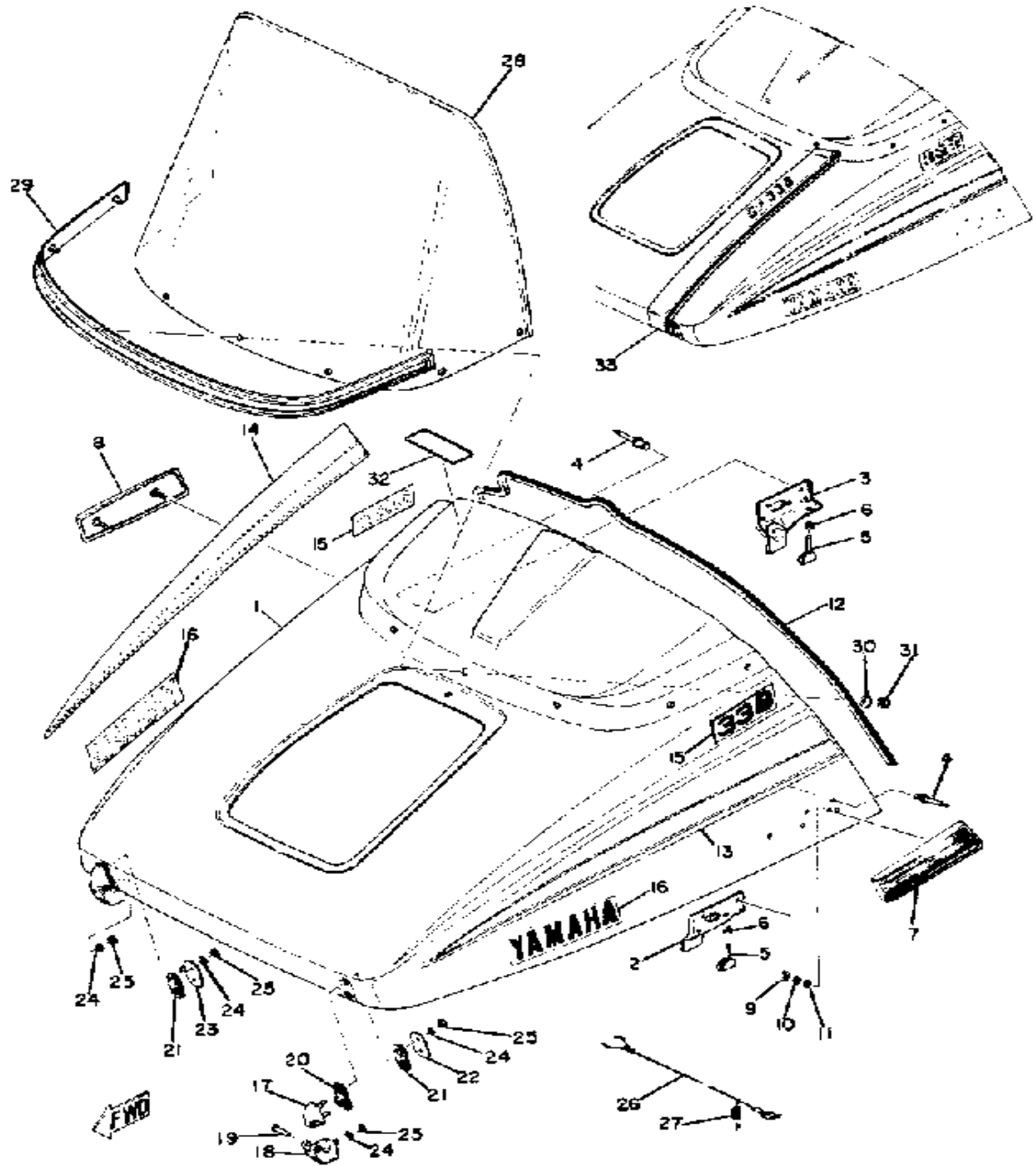


Ref. No.	Part Number	Description	Qty	Remarks
1	841-77111-00-00	SHROUD .....	1	
2	(841-77136-00-00)	CLAMP 2 .....	1	
3	(841-77138-00-00)	CLAMP 4 .....	1	
4	90267-40M00-00	RIVET, BLIND .....	8	
5	(841-77171-01-00)	BODY, LATCH 1 .....	2	
6	95380-06600-00	NUT .....	2	
7	(838-77131-00-00)	LOUVER 1 .....	1	
8	838-77132-00-00	LOUVER 2 .....	1	
9	95380-06600-00	NUT .....	4	
10	92990-05100-00	WASHER, SPRING .....	4	
11	92990-05200-00	WASHER, PLAIN .....	4	
12	(841-77166-00-00)	TRIM 2 .....	1	
13	841-77163-00-00	ORNAMENT 1 .....	1	
14	(841-77164-00-00)	ORNAMENT 2 .....	1	
15	(840-77356-00-00)	EMBLEM 6 .....	2	
16	(838-77357-00-00)	EMBLEM 7 .....	2	
17	(841-77140-00-00)	HINGEASSEMBLY .....	2	
18	(841-77147-00-00)	HINGE 3 .....	2	
19	90243-05003-00	PIN .....	2	
20	(841-77198-00-00)	DAMPER 1 .....	2	
21	841-77199-00-00	DAMPER 2 .....	2	
22	(841-77153-00-00)	PLATE, BACK UP 1 .....	1	
23	(841-77154-00-00)	PLATE, BACK UP 2 .....	1	
24	92995-06100-00	WASHER, SPRING .....	6	
25	95380-06600-00	NUT .....	6	
26	841-77118-00-00	STOPPER, SHROUD .....	1	
27	838-77159-00-00	. CLAMP, ROD .....	1	
28	(844-77210-01-00)	WINDSHIELD .....	1	
29	841-77220-00-00	TRIM LOWER ASSEMBLY .....	1	

CONTINUED ON NEXT FRAME ►

Property of [www.SmallEngineDiscount.com](http://www.SmallEngineDiscount.com) - Not for Resale

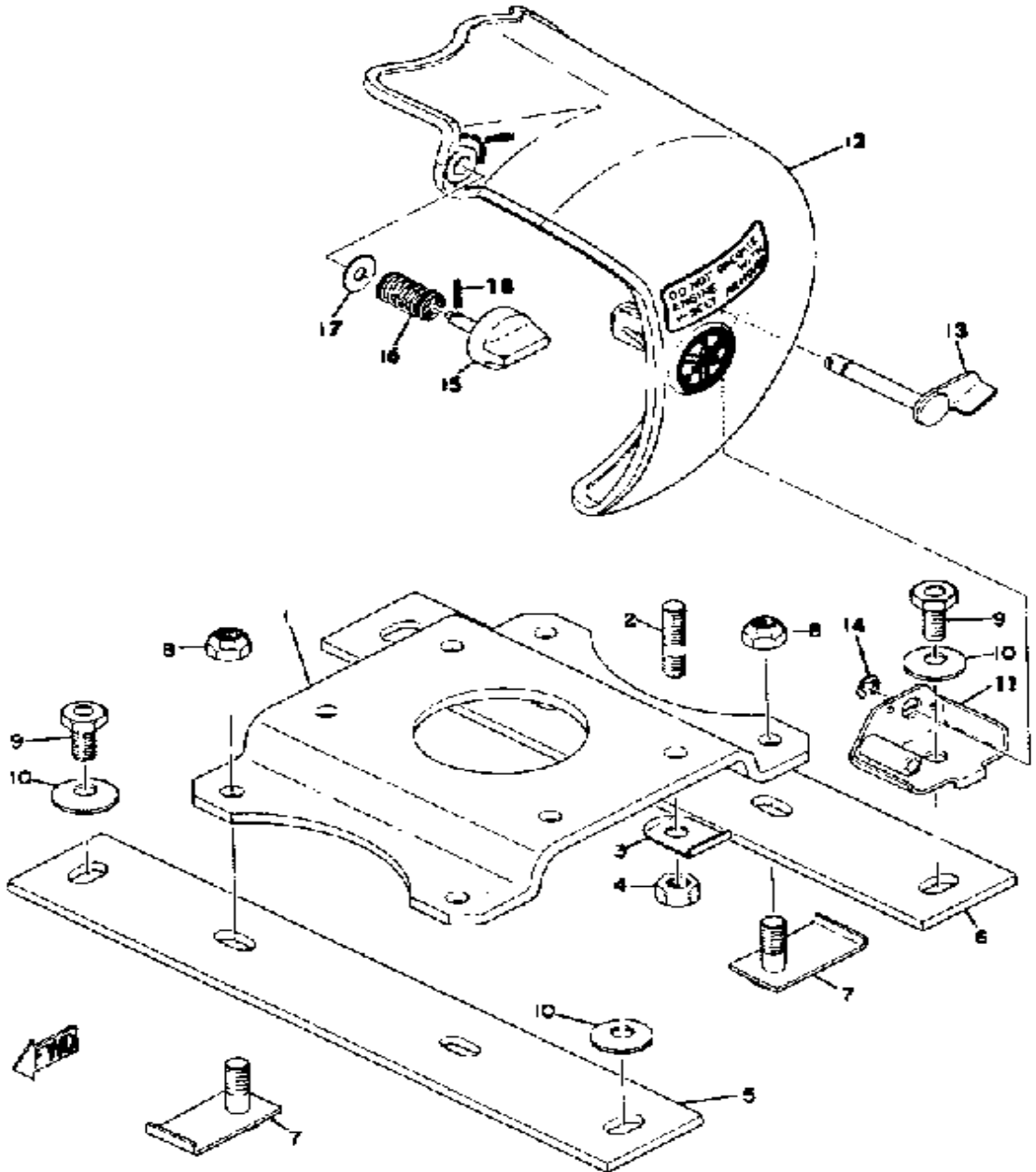
# SHROUD



Ref. No.	Part Number	Description	Qty	Remarks
30	90201-05036-00	WASHER, PLATE .....	7	
31	95701-05300-00	NUT, NYLON .....	7	
32	288-21659-00-00	LABEL, SAFETY .....	1	
33	(846-77169-00-00)	ORNAMENT 3 .....	1	

Property of [www.SmallEngineDiscount.com](http://www.SmallEngineDiscount.com) - Not for Resale

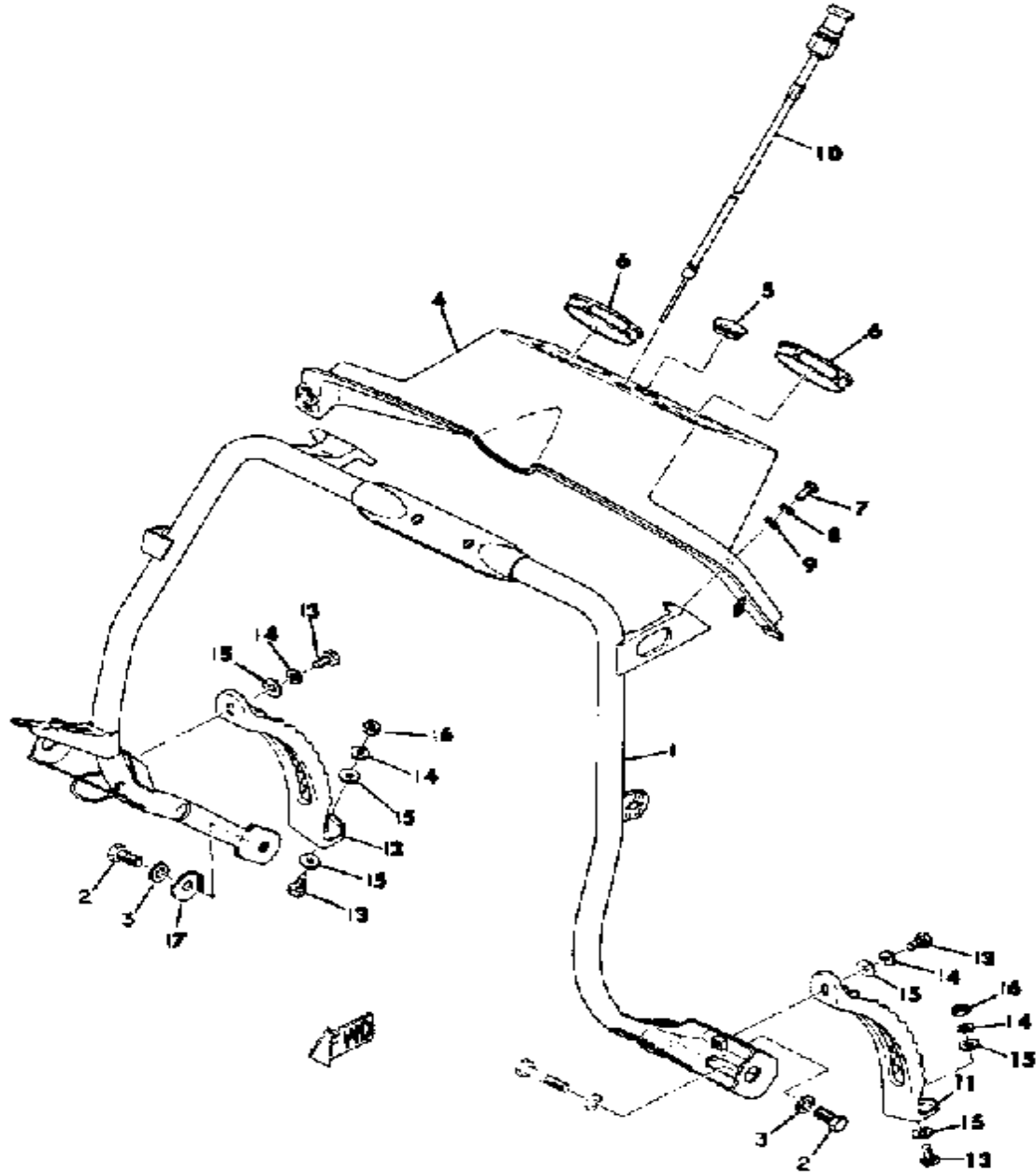
# ENGINE BRACKET



Ref. No.	Part Number	Description	Qty	Remarks
1	(838-21411-01-00)	BRACKET, ENGINE 1	1	
2	(90116-10084-00)	BOLT, STUD	4	
3	(90215-10076-00)	WASHER, LOCK	4	
4	95311-10600-00	NUT	4	
5	(841-21419-00-00)	BRACKET, ENGINE 2	1	
6	(829-21419-00-00)	BRACKET, ENGINE 2	1	
7	(829-21482-00-00)	BOLT, ENG MNTNG 2	4	
8	90185-10030-00	NUT, SELF-LOCKING	4	
9	90101-10055-00	BOLT	3	
10	90208-10013-00	WASHER, CONICAL SPR	4	
11	844-77315-00-00	BRACKET 1	1	
12	(844-77311-00-00)	GUARD, DRIVE	1	
13	806-77314-00-00	ARM, FITTING	1	
14	99009-06600-00	CIRCLIP	1	
15	844-77324-00-00	KNOB	1	
16	90501-16103-00	SPRING, COMPRESSION	1	
17	90201-06063-00	WASHER, PLATE	1	
18	91609-40018-00	PIN, SPRING	1	

Property of [www.SmallEngineDiscount.com](http://www.SmallEngineDiscount.com) - Not for Resale

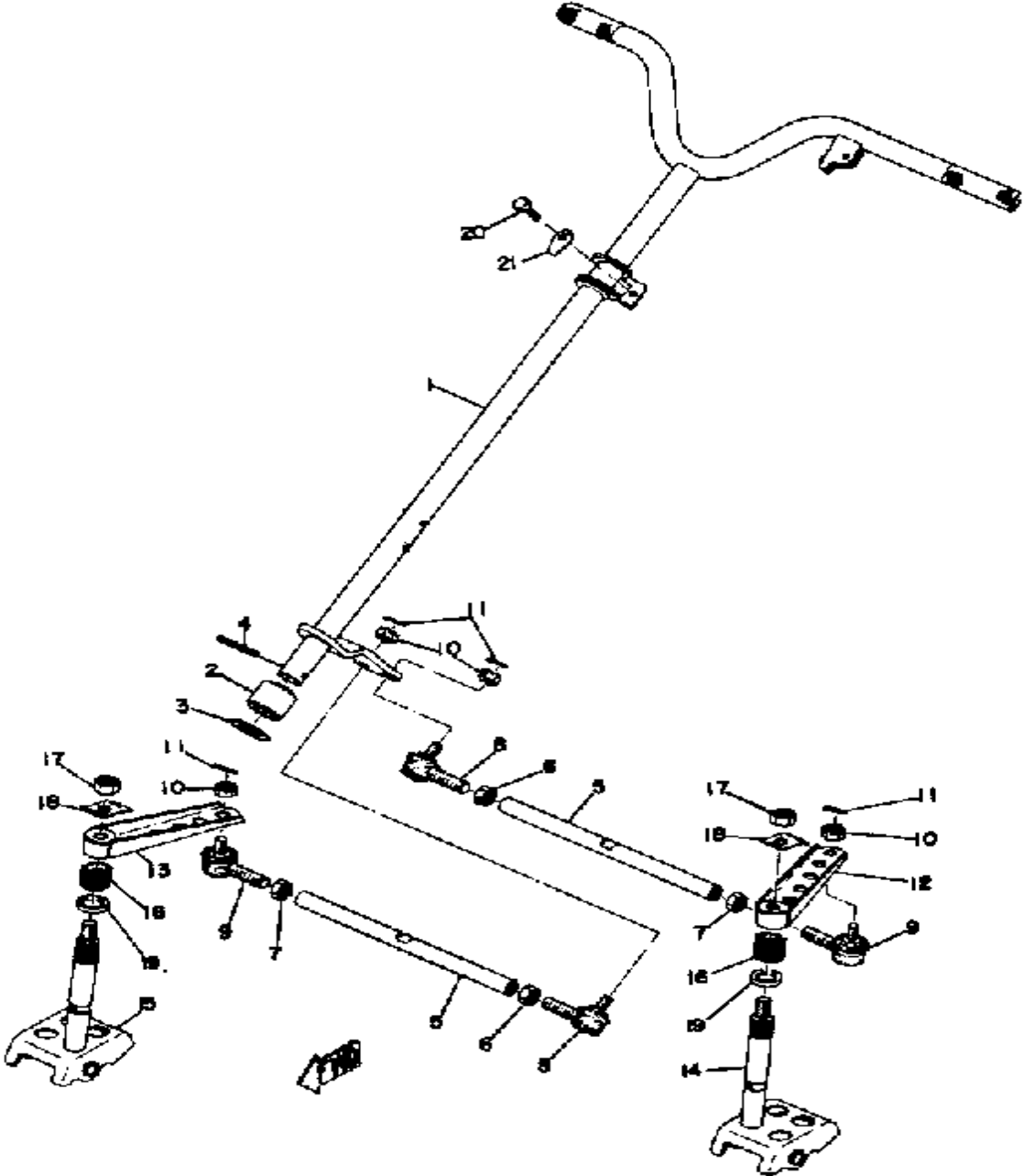
# STEERING GATE



Ref. No.	Part Number	Description	Qty	Remarks
1	(841-23870-00-00)	STEERING GATE .....	1	
2	97026-08018-00	BOLT .....	2	
3	90201-08624-00	WASHER, PLATE .....	2	
4	(844-77711-00-00)	PANEL, INSTRUMENT .....	1	
5	(841-77746-00-00)	GROMMET .....	1	
6	841-77715-00-00	ORMNT, INSTR PNL 1 .....	2	
7	(97306-05012-00)	BOLT, HEXAGON .....	1	
8	92906-05100-00	WASHER, SPRING .....	1	
9	92906-05200-00	WASHER, PLAIN .....	1	
10	841-26331-00-00	CABLE, STARTER 1 .....	1	
11	(841-27411-00-00)	FOOTREST 1 .....	1	
12	(841-27421-00-00)	FOOTREST 2 .....	1	
13	97013-06012-00	BOLT .....	4	
14	92995-06100-00	WASHER, SPRING .....	4	
15	92990-06200-00	WASHER .....	6	
16	95380-06600-00	NUT .....	2	
17	(90215-08066-00)	WASHER, LOCK .....	2	

Property of [www.SmallEngineDiscount.com](http://www.SmallEngineDiscount.com) - Not for Resale

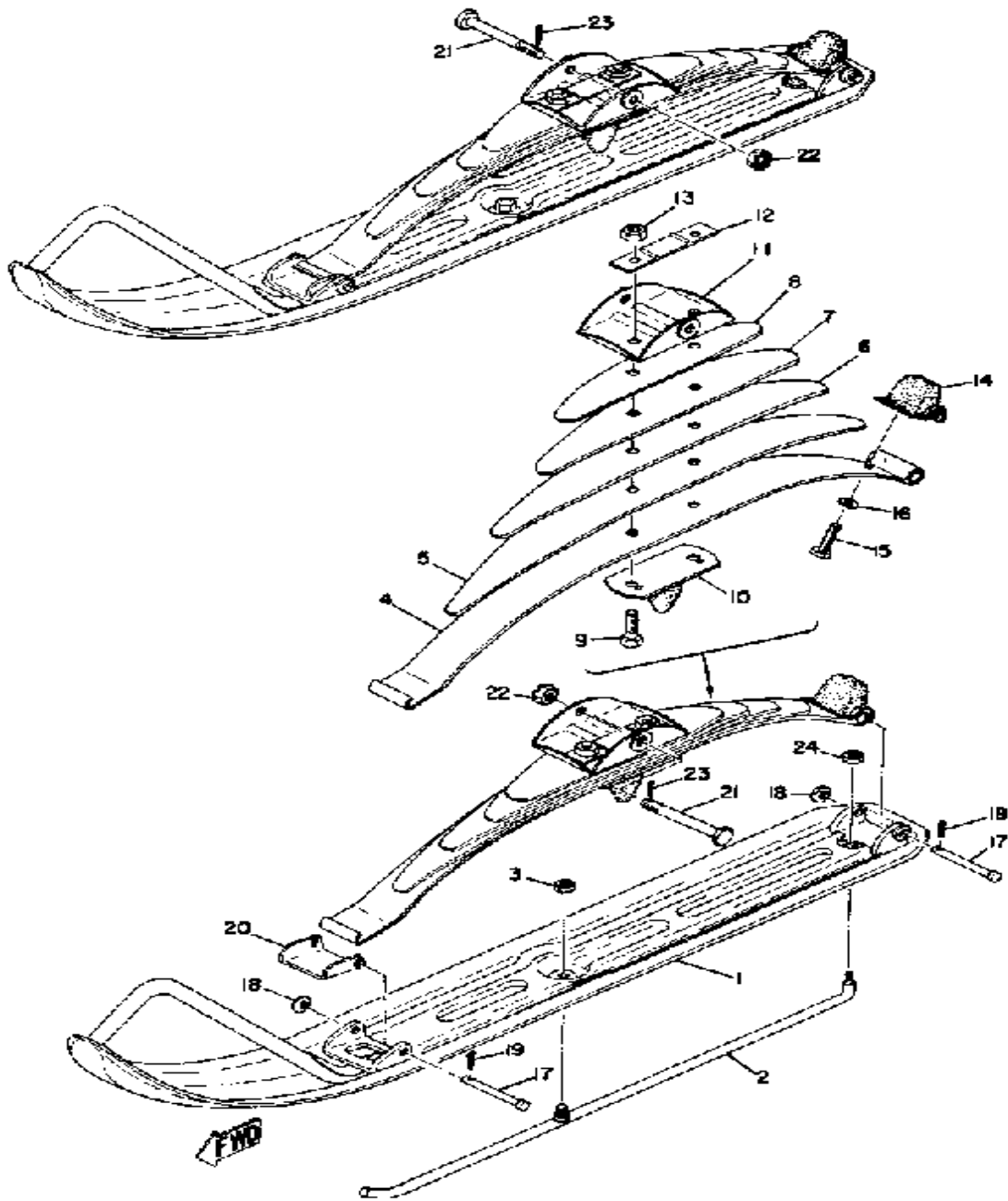
# STEERING



Ref. No.	Part Number	Description	Qty	Remarks
1	(841-23811-01-00)	COLUMN, STEERING	1	
2	(806-23875-00-00)	BEARING, STRG LOWER	1	
3	(841-23812-01-00)	BEARING, STEERING	1	
4	91609-60045-00	PIN, SPRING	1	
5	(821-23821-00-00)	ROD, STEERING RELAY	2	
6	90170-12055-00	NUT	2	
7	90170-12054-00	NUT	2	
8	(821-23841-90-00)	JOINT, UNIVERSAL 1	2	
9	(821-23845-90-00)	JOINT, UNIVERSAL 2	2	
10	90171-10002-00	NUT, CASTLE	4	
11	91401-25030-00	PIN, COTTER	4	
12	(841-23851-01-00)	ARM, OUTSIDE 1	1	
13	841-23852-01-00	ARM, OUTSIDE 2	1	
14	844-23853-01-00	COLUMN, SKI 1	1	
15	844-23854-01-00	COLUMN, SKI 2	1	
16	90501-35154-00	SPRING, COMPRESSION	2	
17	95306-12600-00	NUT	2	
18	90215-12037-00	WASHER, LOCK	2	
19	90560-20037-00	SPACER	2	
20	97313-06020-00	BOLT, HEXAGON	2	
21	(90215-06038-00)	WASHER, LOCK	1	

Property of [www.SmallEngineDiscount.com](http://www.SmallEngineDiscount.com) - Not for Resale

# SKI

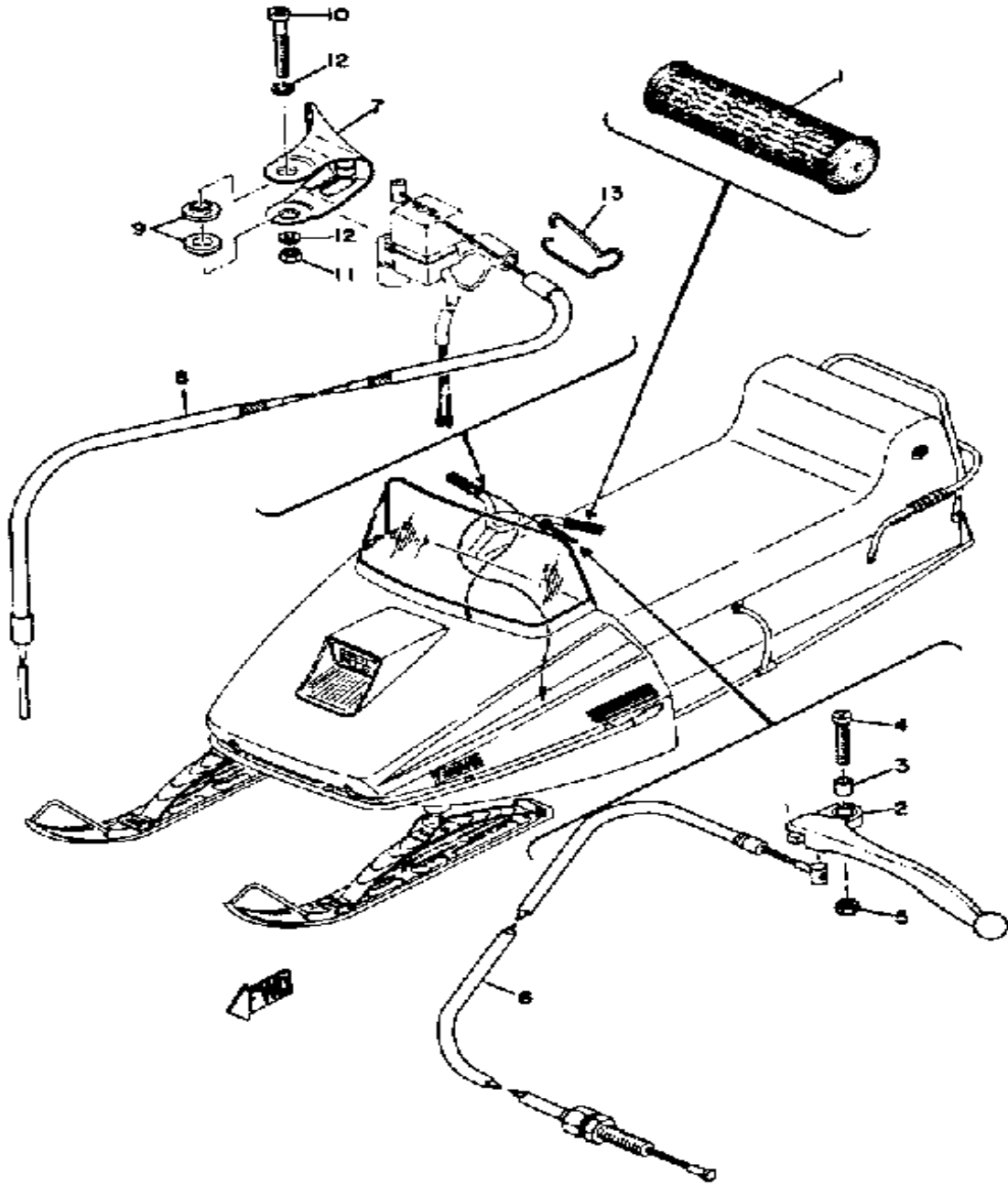


Ref. No.	Part Number	Description	Qty	Remarks
1	(838-23710-01-00)	SKI 1	2	
2	838-23731-03-00	RUNNER 1	2	
3	95336-08600-00	NUT	2	
4	(841-23762-02-00)	LEAF 2	2	
	(846-23761-00-00)	LEAF 1	2	
6	(841-23763-01-00)	LEAF 3	2	
7	841-23764-01-00	. LEAF 4	2	
8	841-23771-01-00	. LEAF 5	2	
9	90101-10060-00	. BOLT	4	
10	878-23768-00-00	. SEAT, SPRING 1	2	
11	(841-23766-00-00)	SADDLE 1	2	
12	90209-10069-00	. WASHER, SPEC'L SHAP	2	
13	95336-10600-00	. NUT	4	
14	(841-23743-01-00)	STOPPER 1	2	
15	90101-06576-00	. BOLT	2	
16	92995-06100-00	. WASHER, SPRING	2	
17	90240-08035-00	PIN, CLEVIS (801-23733-00)	4	
18	92906-08200-00	WASHER	4	
19	91401-30020-00	PIN, COTTER	4	
20	802-23735-00-00	PLATE, WEAR 1	2	
21	90102-10009-00	BOLT, WITH HOLE	2	
22	95306-10900-00	NUT, SLOTTED	2	
23	91490-20025-00	PIN, SPLIT	2	
24	95316-08700-00	NUT (2GV)	2	
-1	(846-23760-00-00)	SPRING ASSEMBLY 1	1	
-2	(846-23770-00-00)	SPRING ASSEMBLY 2	1	

Property of [www.SmallEngineDiscount.com](http://www.SmallEngineDiscount.com) - Not for Resale



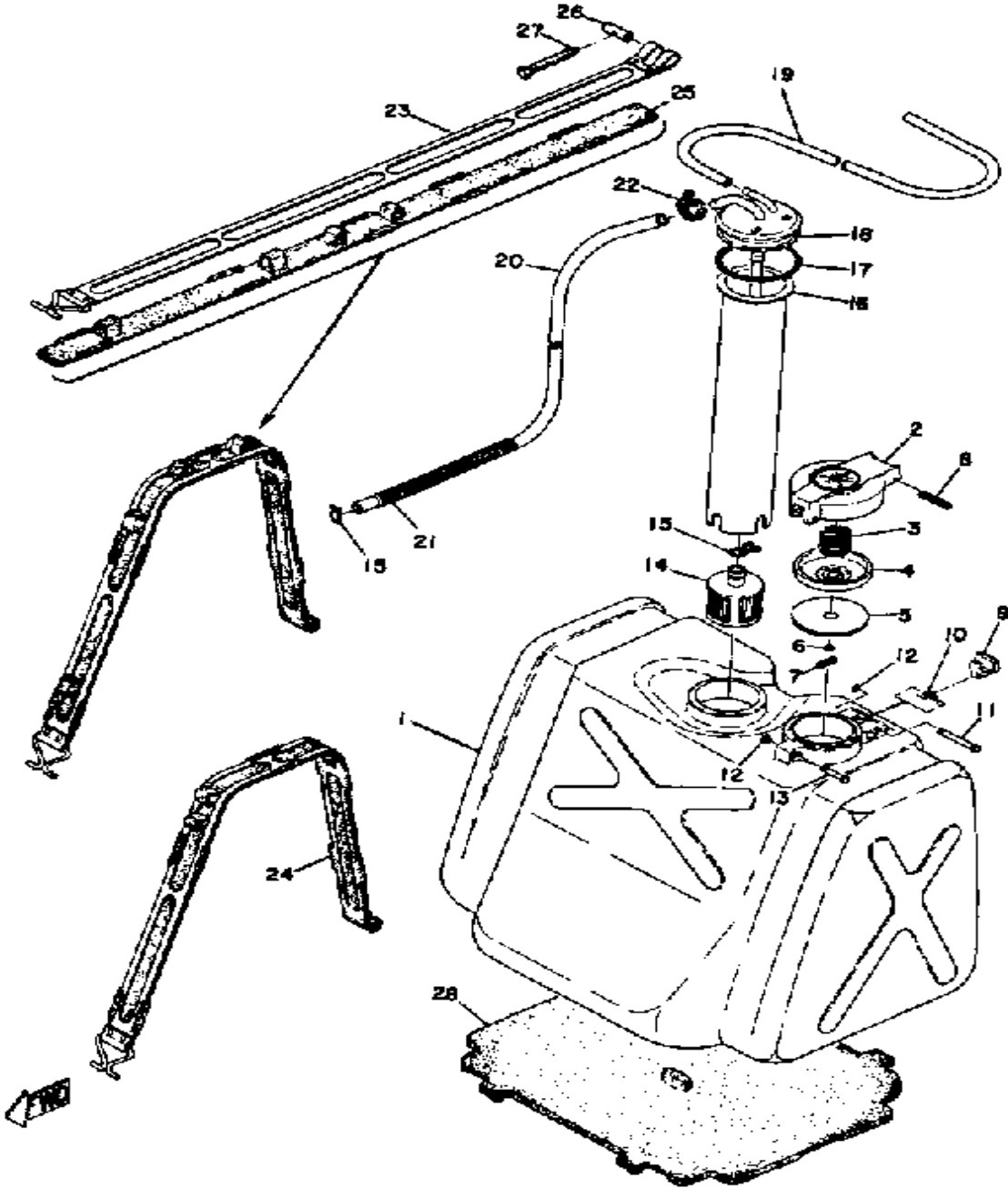
# GRIP-WIRING



Ref. No.	Part Number	Description	Qty	Remarks
1	801-26241-01-00	GRIP .....	2	
2	803-83912-00-38	LEVER 1 .....	1	
3	802-83913-00-00	COLLAR, LEVER 1 .....	1	
4	90157-05006-00	SCREW, PAN HEAD (803-83915-00) .....	1	
5	95303-05700-00	NUT .....	1	
6	(807-26340-00-00)	CABLE, BRAKE .....	1	
7	8G8-42138-00-00	LEVER, THROTTLE .....	1	
	90387-06681-00	COLLAR .....	2	
	98580-06550-00	SCREW PAN HEAD (92503-06050) .....	1	
	99999-01028-00	THROTTLE LEVER .....	1	
8	841-26311-00-00	CABLE, THROTTLE 1 .....	1	
9	90387-062M9-00	COLLAR .....	2	
10	90157-06004-00	SCREW, PAN HEAD (810-83925-00) .....	1	
11	95380-06700-00	NUT .....	1	
12	92990-06200-00	WASHER .....	2	
13	90468-10017-00	CLIP (821-26391-00) .....	1	

Property of [www.SmallEngineDiscount.com](http://www.SmallEngineDiscount.com) - Not for Resale

# FUEL TANK

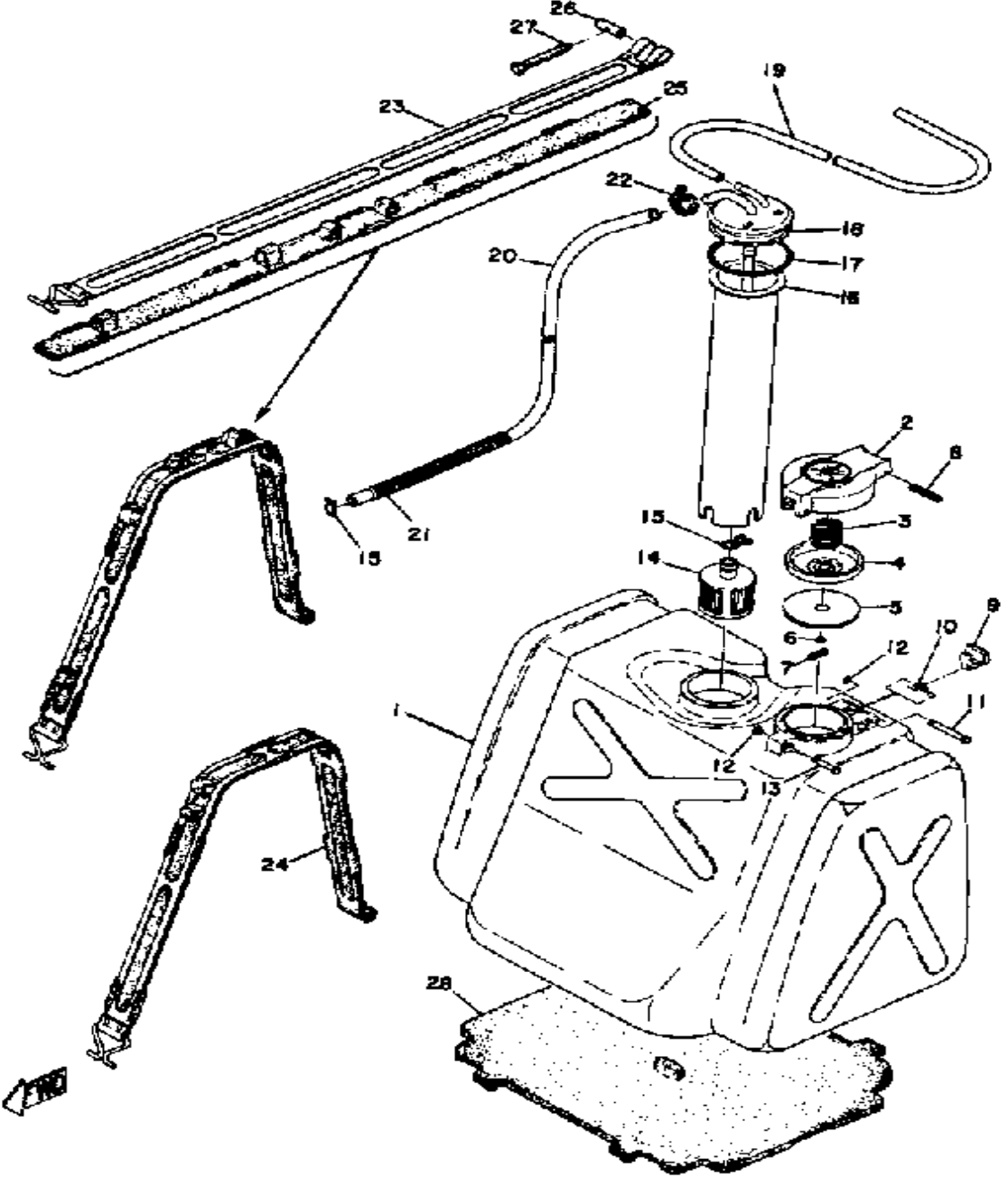


Ref. No.	Part Number	Description	Qty	Remarks
1	841-24111-01-00	FUEL TANK .....	1	
2	813-24611-01-00	BODY, CAP .....	1	
3	90501-20130-00	SPRING, COMPRESSION .....	1	
4	813-24613-01-00	DISC, CAP .....	1	
5	256-24612-00-00	GASKET, CAP .....	1	
6	93210-04122-00	O-RING .....	1	
7	91609-30016-00	PIN, SPRING .....	1	
8	91609-25032-00	PIN, SPRING .....	1	
9	83M-24628-00-00	HOOK .....	1	
10	90508-08003-00	SPRING, TORSION (813-24637-00) .....	1	
11	90249-03017-00	PIN .....	1	
12	93430-02001-00	CIRCLIP .....	2	
13	90249-03016-00	PIN, SPEC"L SHAPE .....	1	
14	8H5-24560-00-00	FILTER ASSEMBLY .....	1	
15	90467-11009-00	CLIP .....	2	
16	838-24336-00-00	PIPE, SUCTION 2 .....	1	
17	90506-06065-00	SPRING, TENSION .....	1	
18	838-24335-00-00	PIPE, SUCTION 1 .....	1	
19	90446-09013-00	HOSE (90446-09079) .....	1	
20	90446-11040-00	HOSE .....	1	
21	806-24328-00-00	PROTECTOR, PIPE .....	1	
22	90460-11002-00	CLAMP, HOSE .....	1	
23	838-24173-00-00	BAND, TNK FITTING 1 .....	2	
24	(838-24183-00-00)	DAMPER, LOCATING 3 .....	1	
25	(838-24184-00-00)	DAMPER, LOCATING 4 .....	1	
26	806-24135-00-00	CLAMP 1 .....	2	
27	90149-05006-00	SCREW, SPEC"L SHAPE (821-24176-00) .....	2	

CONTINUED ON NEXT FRAME ►

Property of [www.SmallEngineDiscount.com](http://www.SmallEngineDiscount.com) - Not for Resale

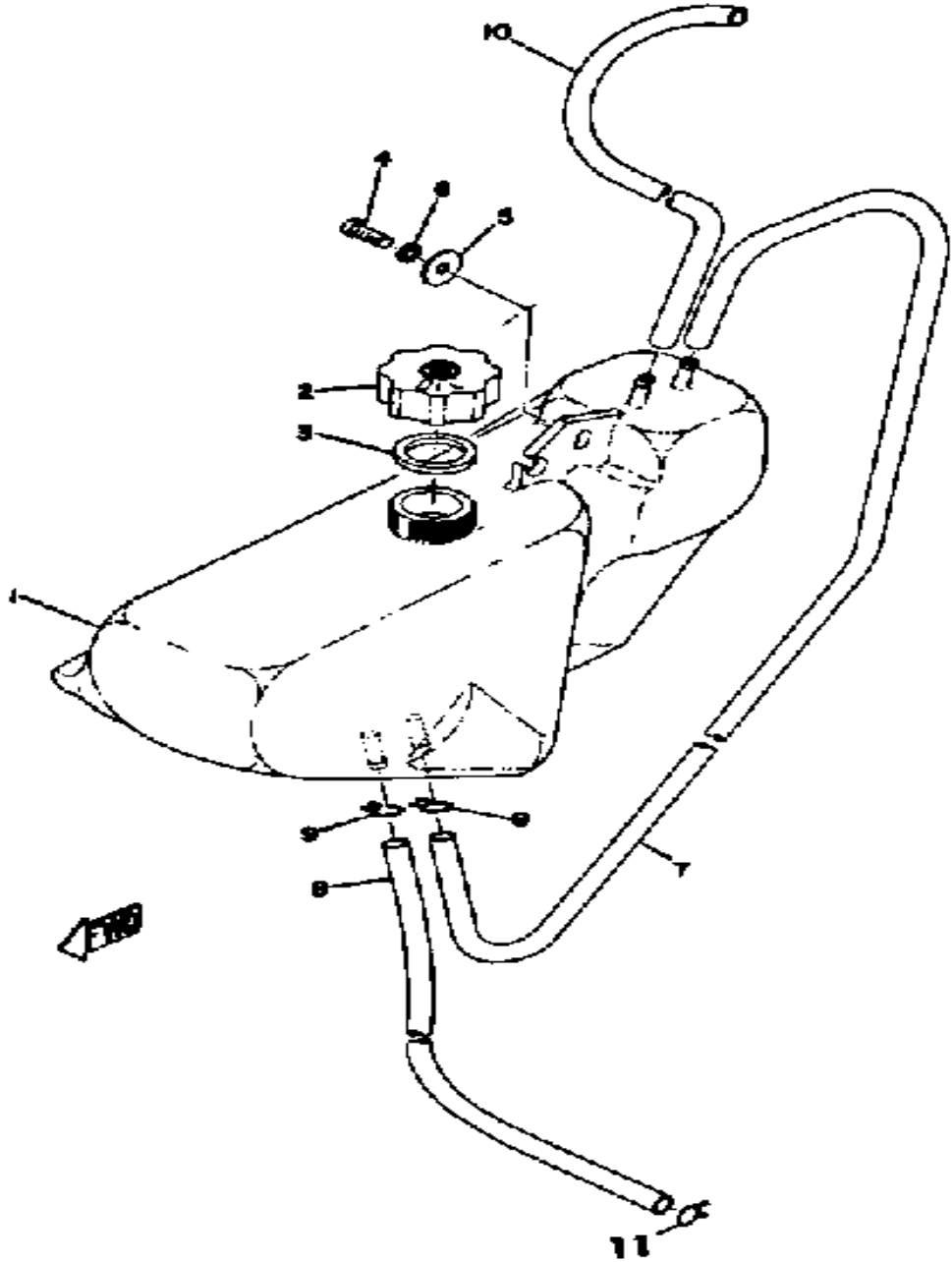
# FUEL TANK



Ref. No.	Part Number	Description	Qty	Remarks
28	(841-24181-00-00)	DAMPER, LOCATING 1	..... 1	

Property of [www.SmallEngineDiscount.com](http://www.SmallEngineDiscount.com) - Not for Resale

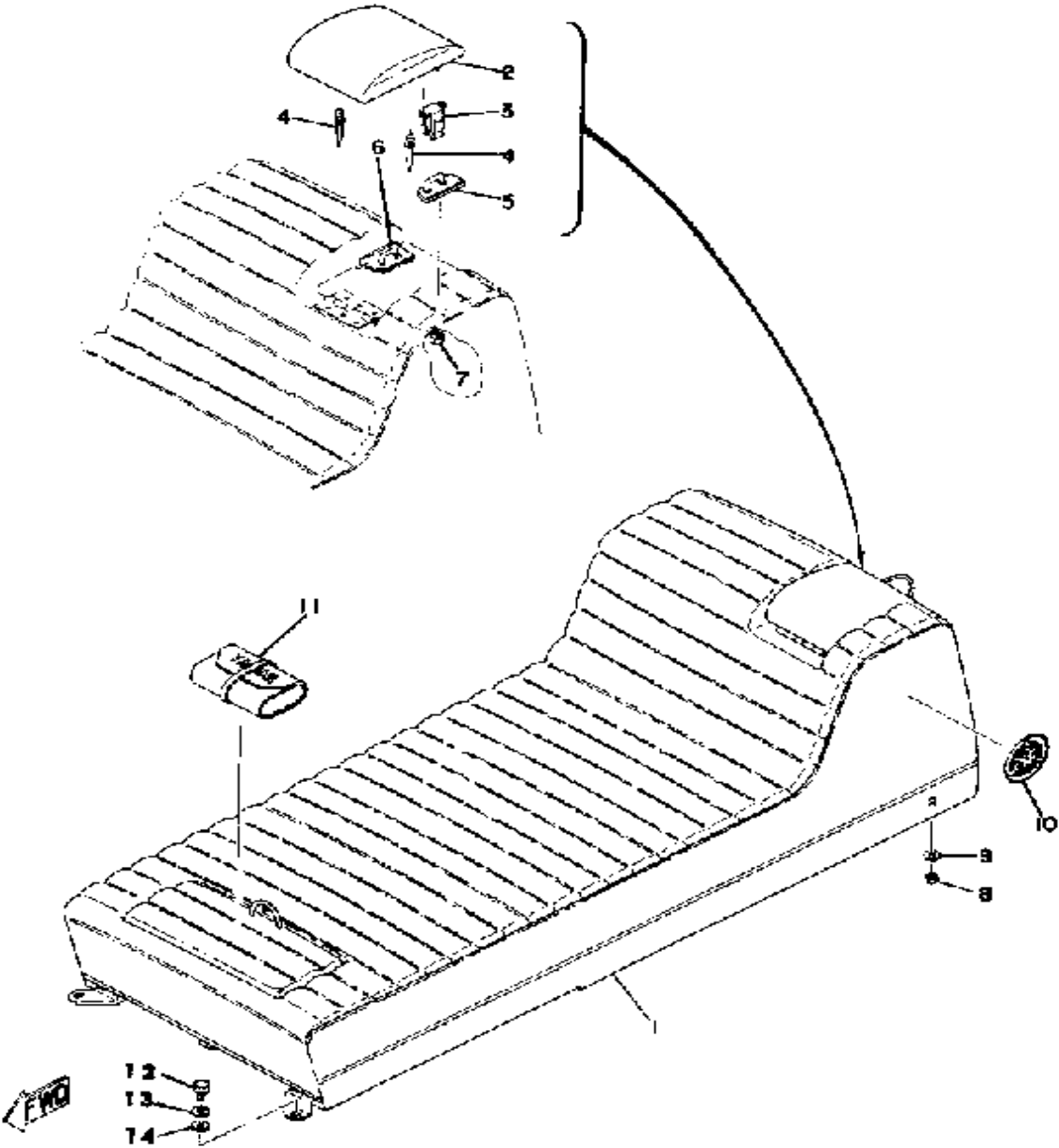
# OIL TANK



Ref. No.	Part Number	Description	Qty	Remarks
1	841-21751-00-00	TANK, OIL .....	1	
2	296-21771-62-00	BODY, CAP .....	1	
3	296-21772-00-00	GASKET, CAP .....	1	
4	98580-05016-00	SCREW, PAN HEAD .....	1	
5	90201-05036-00	WASHER, PLATE .....	1	
6	92990-05100-00	WASHER, SPRING .....	1	
7	(844-21792-00-00)	GAUGE, OIL .....	1	
8	90446-09014-00	HOSE .....	1	
9	(844-21755-00-00)	CLAMP, DAMPER .....	2	
10	90446-09092-00	HOSE .....	1	
11	90460-09001-00	CLAMP, HOSE .....	1	

Property of [www.SmallEngineDiscount.com](http://www.SmallEngineDiscount.com) - Not for Resale

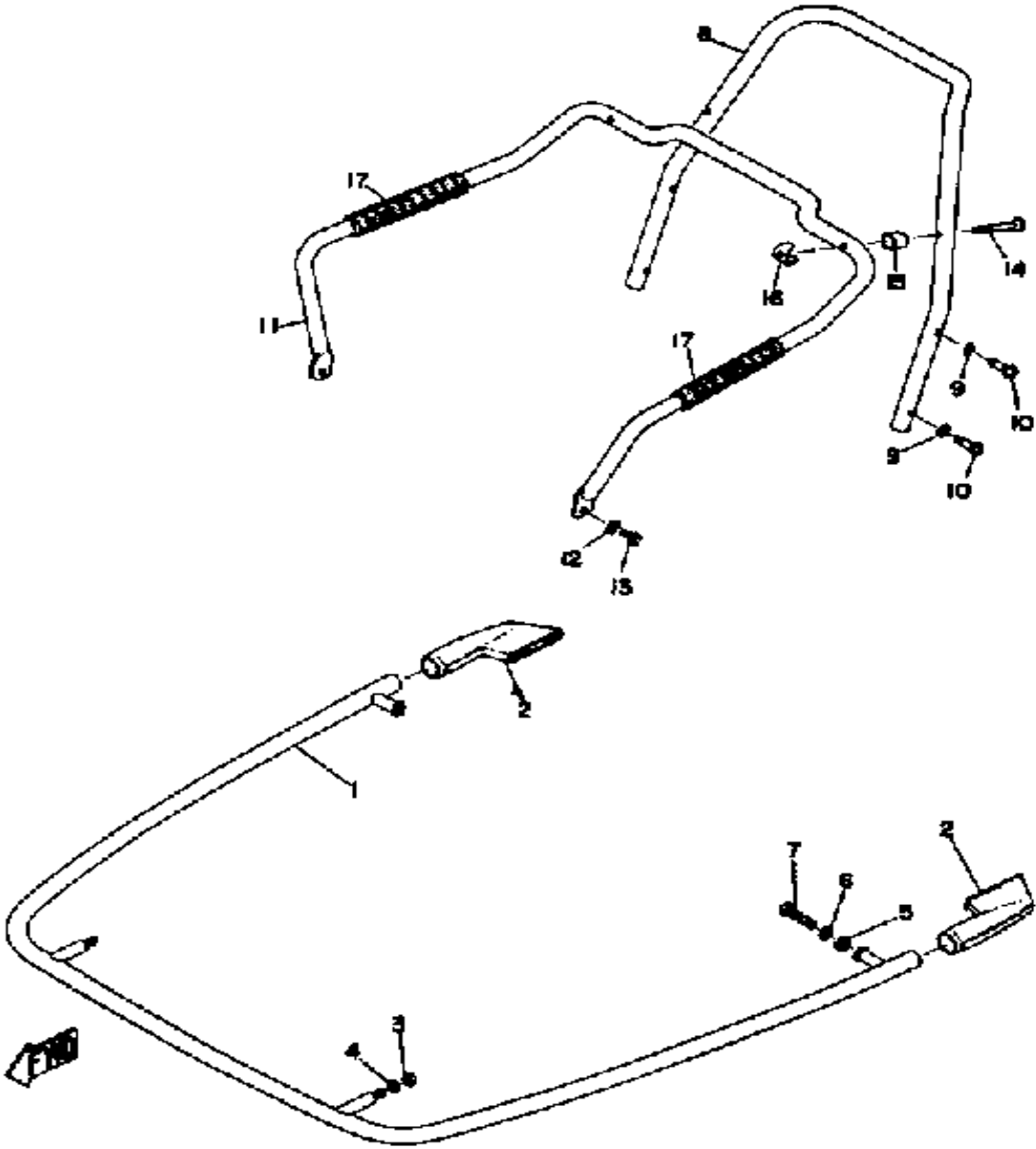
# SEAT



Ref. No.	Part Number	Description	Qty	Remarks
1	844-24730-00-00	DOUBLE SEAT ASSEMBLY ...	1	
2	838-24765-00-00	. LID, DOUBLE SEAT .....	1	
3	(821-24794-00-00)	SPRING, SEAT BACK .....	2	
4	(90267-32017-00)	RIVET, BLIND .....	7	
5	(838-24793-00-00)	PIN .....	1	
6	(838-24784-00-00)	PIN .....	1	
7	95380-06700-00	. NUT .....	4	
8	90185-08089-00	NUT, SELF-LOCKING .....	2	
9	90208-08011-00	WASHER, CONICAL SPRING ..	2	
10	821-77352-00-00	EMBLEM 2 .....	2	
11	(821-28100-10-00)	TOOL KIT .....	1	
12	97016-06016-00	BOLT .....	2	
13	92906-06100-00	WASHER, SPRING .....	2	
14	90201-06059-00	WASHER, PLATE .....	2	
1-1	(841-24731-00-00)	COVER, DOUBLE SEAT .....	1	

Property of [www.SmallEngineDiscount.com](http://www.SmallEngineDiscount.com) - Not for Resale

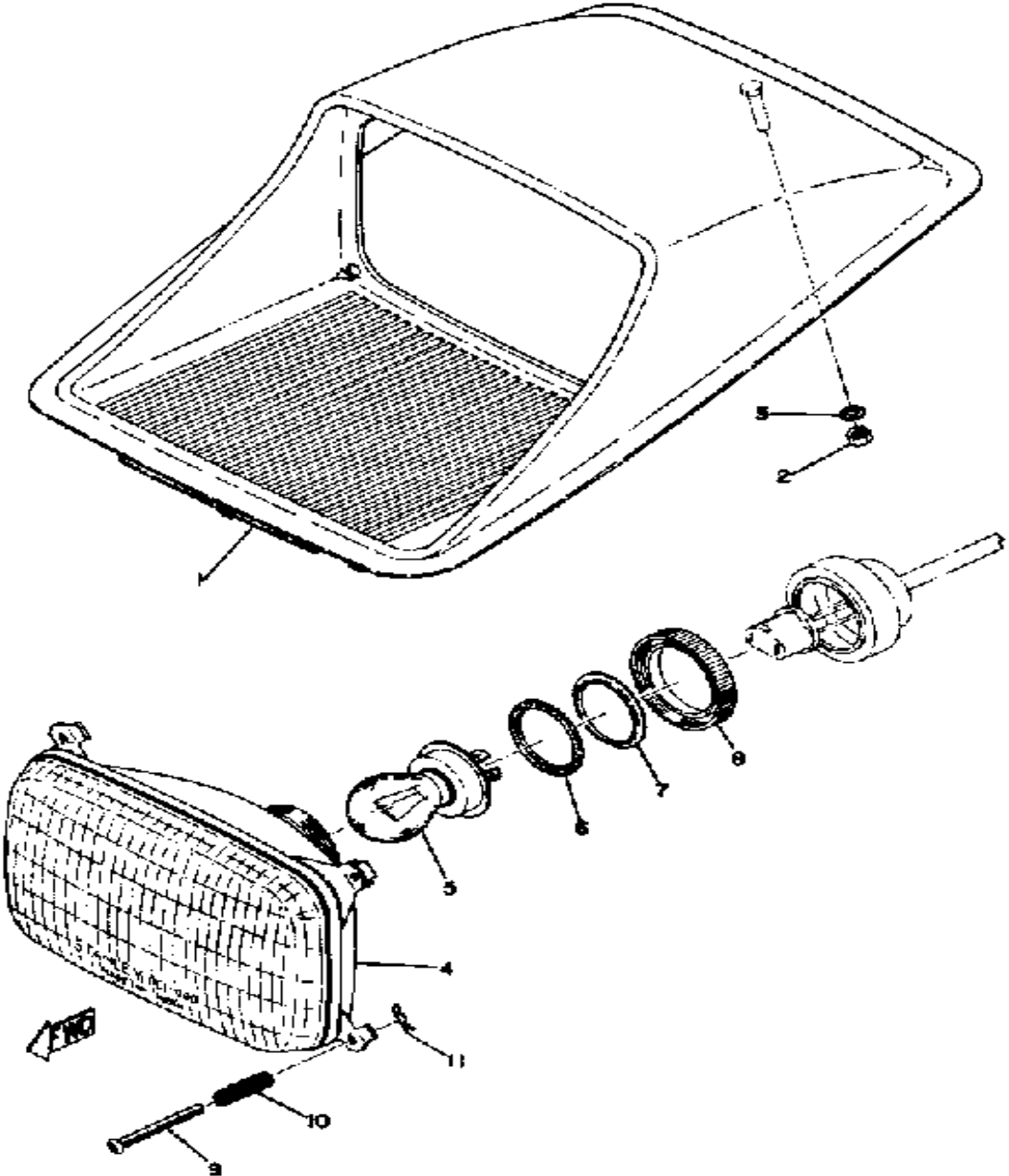
# BUMPER



Ref. No.	Part Number	Description	Qty	Remarks
1	841-77510-00-00	FRONT BUMPER .....	1	
2	838-77523-00-00	END, BUMPER .....	2	
3	95333-08600-00	NUT .....	2	
4	92990-08100-00	WASHER .....	2	
5	(90201-08456-00)	WASHER, PLATE .....	2	
6	92906-08100-00	WASHER, SPRING .....	2	
7	97306-08040-00	BOLT, HEXAGON .....	2	
8	(841-77541-00-00)	BUMPER, REAR 1 .....	1	
9	92990-06500-00	WASHER .....	4	
10	90152-06003-00	SCREW, COUNTERSUNK ....	4	
11	841-77571-00-00	GRIP, ASSIST 1 .....	1	
12	92995-06100-00	WASHER, SPRING .....	2	
13	97013-06012-00	BOLT .....	2	
14	90149-06054-00	SCREW, SPEC'L SHAPE ....	2	
15	(806-77515-00-00)	BUSH, RUBBER 1 .....	2	
16	806-77573-00-00	NUT, SPECIAL .....	2	
17	838-77575-00-00	COVER, ASSIST GRIP .....	2	

Property of [www.SmallEngineDiscount.com](http://www.SmallEngineDiscount.com) - Not for Resale

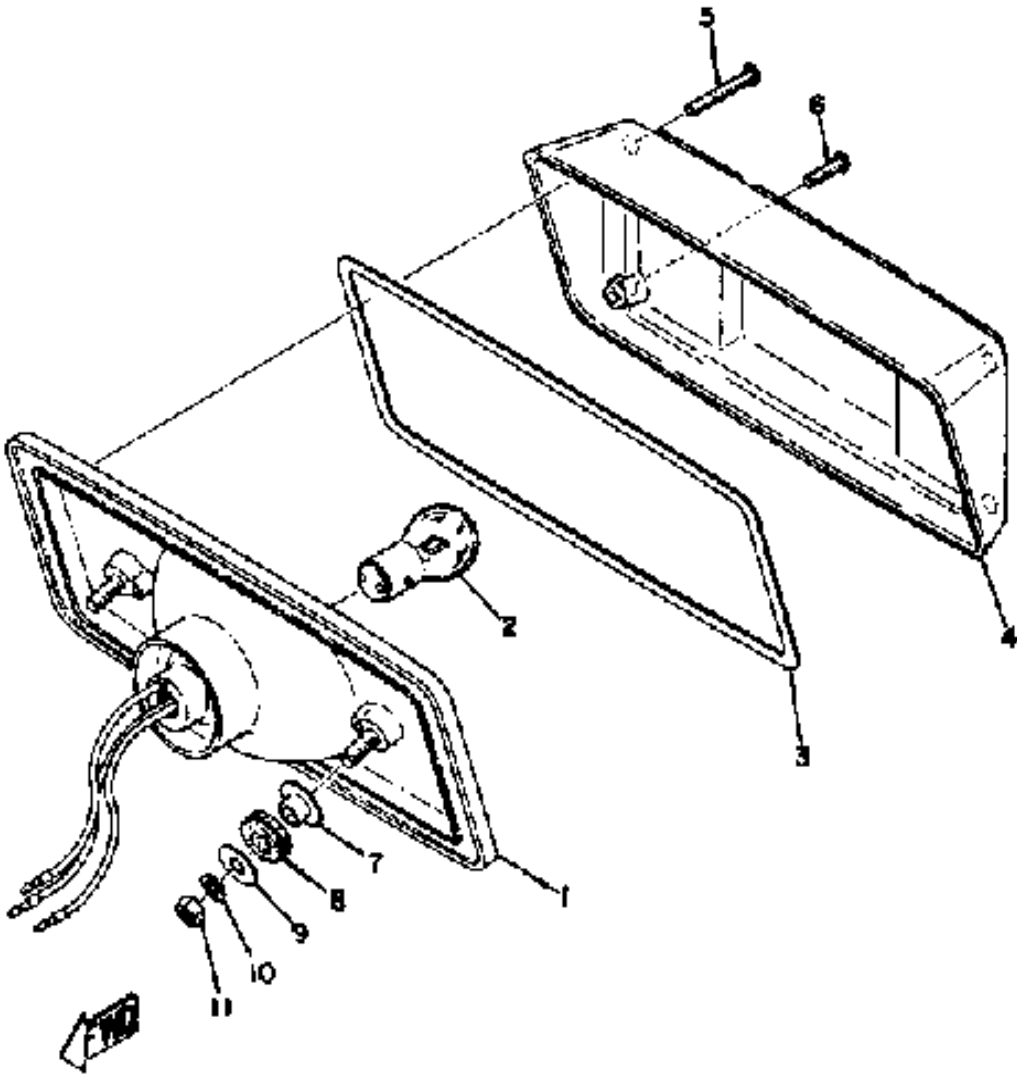
# HEAD LAMP



Ref. No.	Part Number	Description	Qty	Remarks
1	(841-84311-00-00)	BODY, HEADLIGHT .....	1	
2	95306-05600-00	NUT .....	1	
3	92906-05100-00	WASHER, SPRING .....	1	
4	(838-84320-01-00)	LENS ASSEMBLY .....	1	
5	838-84314-00-00	. BULB, HEADLIGHT .....	1	
6	838-84327-00-00	. WASHER, SPECIAL .....	1	
7	838-84328-00-00	. SPACER .....	1	
8	838-84317-00-00	. NUT .....	1	
9	8M6-84331-00-00	. SCREW, RIM ADJUSTING (8A5-84331-00-00) .....	4	
10	8A5-84332-00-00	. SPRING, SCREW .....	4	
11	(807-84351-00-00)	CLAMP, CORD .....	4	
-1	UNA-VAILA-BL-EI	0 0 .....		

Property of [www.SmallEngineDiscount.com](http://www.SmallEngineDiscount.com) - Not for Resale

# TAIL LAMP

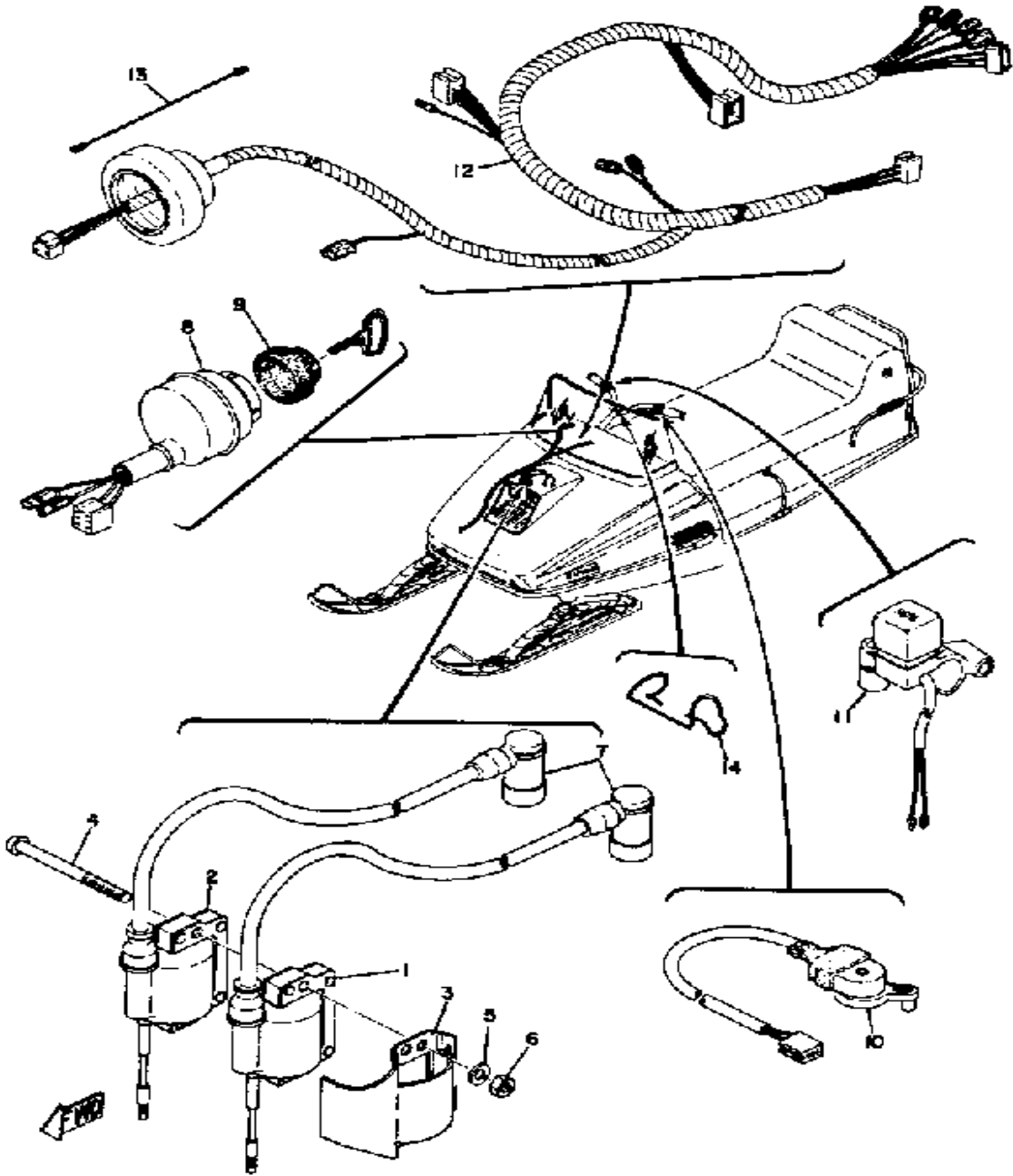


Ref. No.	Part Number	Description	Qty	Remarks
1	853-84710-00-00	. TAILLIGHT UNIT ASSEMBLY .	1	
2	137-84714-61-00	. BULB, TL 12V23/8W (J50-83311-00) . . . . .	1	
3	821-84712-00-00	. SEAT, BASE . . . . .	1	
4	821-84721-00-00	. LENS, TAILLIGHT . . . . .	1	
5	98511-04030-00	. SCREW, PAN HEAD . . . . .	2	
6	98503-04014-00	. SCREW, PAN HEAD . . . . .	2	
7	90387-06024-00	COLLAR . . . . .	2	
8	(90480-14075-00)	GROMMET . . . . .	2	
9	90201-06057-00	WASHER, PLATE . . . . .	2	
10	92995-06100-00	WASHER, SPRING . . . . .	2	
11	95380-06600-00	NUT . . . . .	2	
-1	853-84710-00-00	TAILLIGHT UNIT ASSEMBLY . .	1	

Property of [www.SmallEngineDiscount.com](http://www.SmallEngineDiscount.com) - Not for Resale



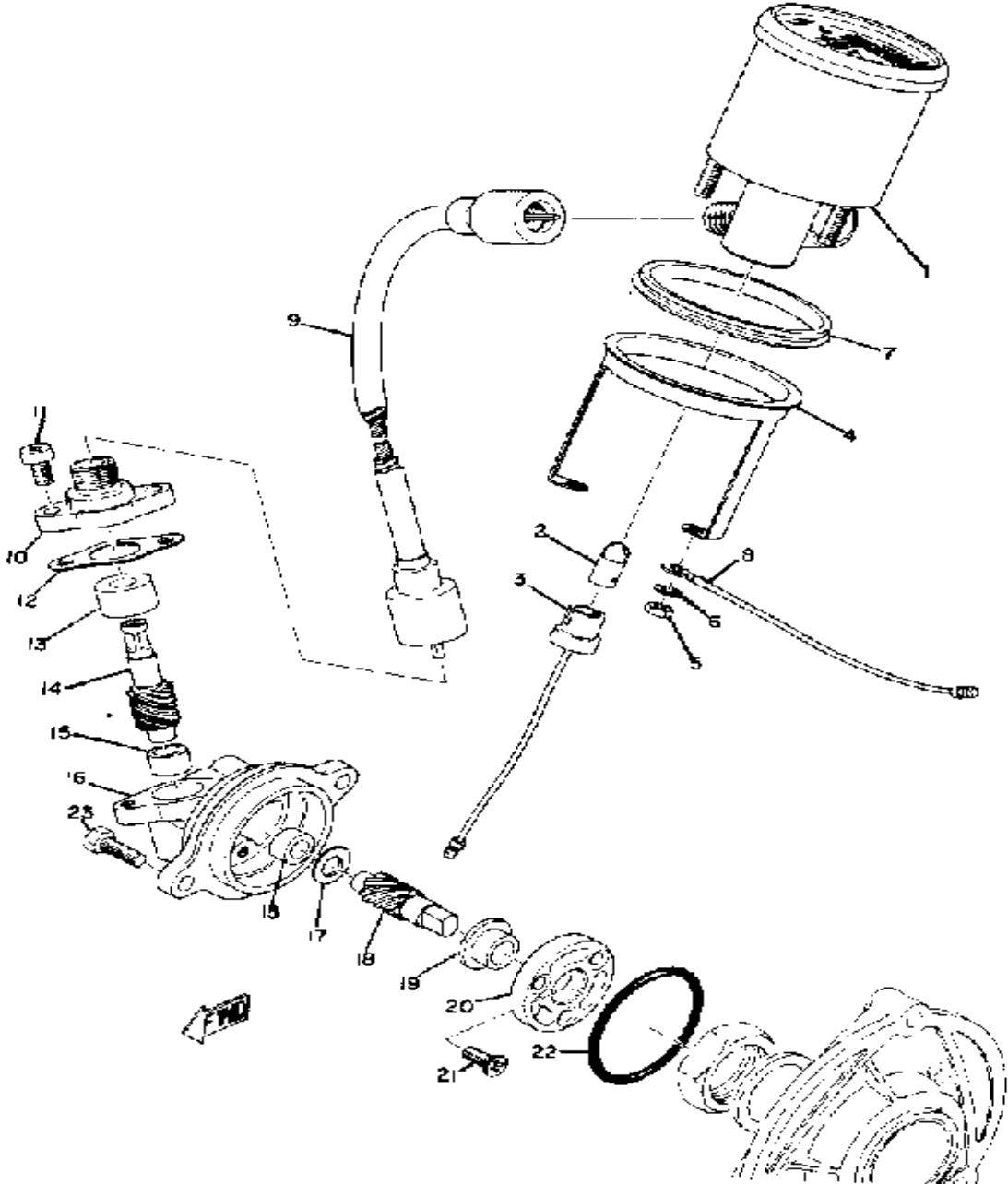
# ELECTRICAL



Ref. No.	Part Number	Description	Qty	Remarks
1	838-82310-40-00	IGNITION COIL ASSEMBLY ...	1	
2	(839-82310-40-00)	IGNITION COIL ASSEMBLY ...	1	
3	(838-82314-00-00)	COVER, IGNITN COIL .....	1	
4	98506-06070-00	SCREW, PAN HEAD .....	2	
5	92906-06100-00	WASHER, SPRING .....	2	
6	95316-06600-00	NUT .....	2	
7	663-82370-01-00	PLUG CAP ASSEMBLY .....	2	
8	(838-82508-20-00)	MAIN SWITCH ASSEMBLY ...	1	
9	806-82516-00-00	COLLAR, MAIN SWITCH .....	1	
10	822-82530-00-00	STOP SWITCH ASSEMBLY ...	1	
11	883-83976-00-00	SWITCH, HANDLE 1 .....	1	
12	(841-82590-21-00)	WIRE HARNESS ASSEMBLY ..	1	
13	(838-82519-00-00)	WIRE, EARTH LEAD .....	1	
14	(841-82594-00-00)	CLAMP .....	1	

Property of [www.SmallEngineDiscount.com](http://www.SmallEngineDiscount.com) - Not for Resale

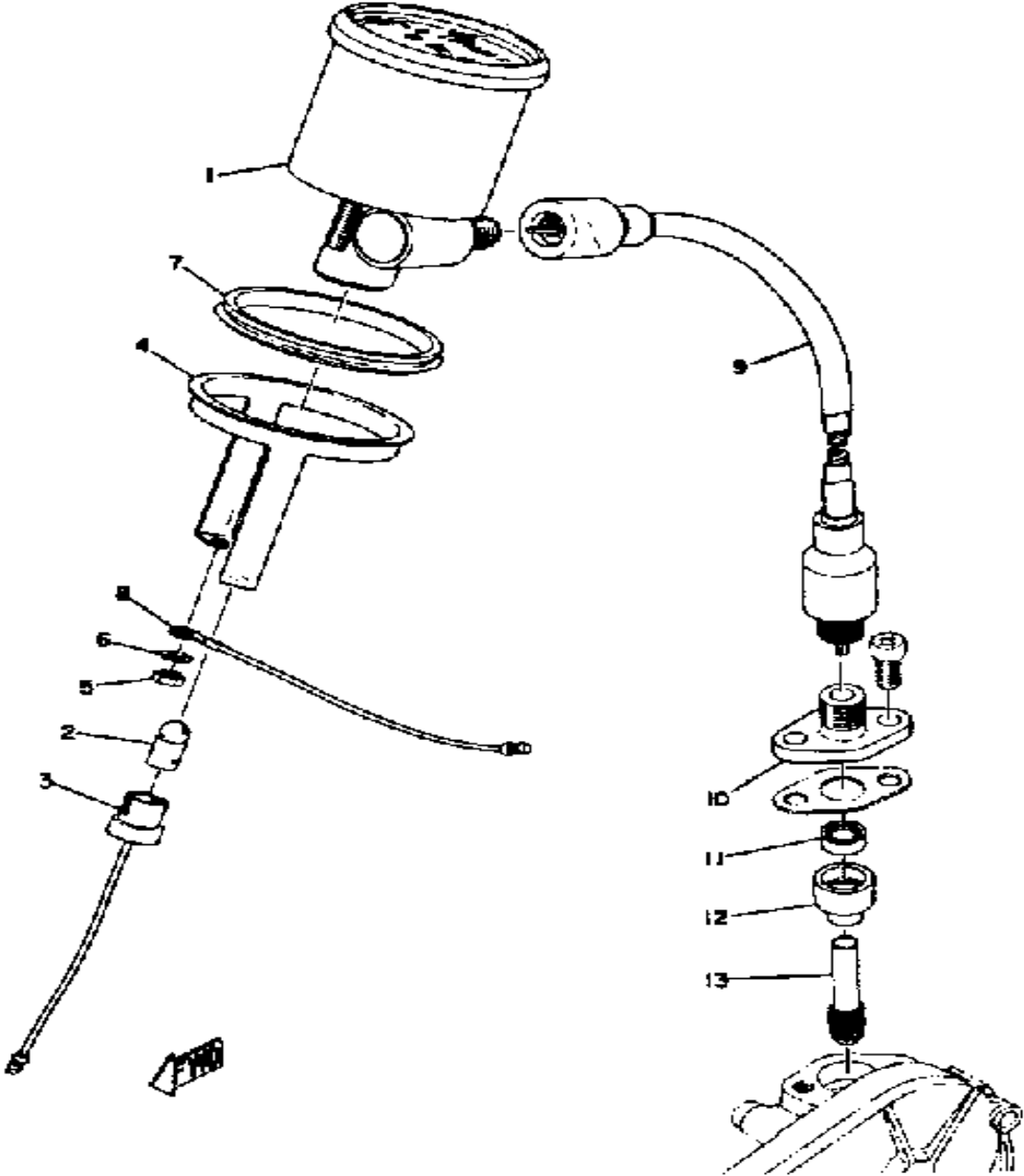
# SPEEDOMETER UNIT



Ref. No.	Part Number	Description	Qty	Remarks
1	(839-83510-40-00)	SPEEDOMETER ASSEMBLY ..	1	
2	256-84347-00-00	. BULB .....	1	
3	(839-83536-40-00)	SOCKET, METER .....	1	
4	(839-83514-40-00)	PLATE, FITTING .....	1	
5	95380-05600-00	. NUT .....	2	
6	92990-05100-00	. WASHER, SPRING .....	2	
7	(90480-58085-00)	GROMMET .....	2	
8	(842-83571-00-00)	CASE, SPD MTR UPPER .....	1	
9	839-83550-01-00	SPEEDOMETER CABLE .....	1	
10	8E3-47721-10-00	COVER, HOUSING .....	1	
11	98580-05012-00	SCREW, PAN HEAD .....	2	
12	810-47727-10-00	GASKET .....	1	
13	90380-08005-00	BUSH, SOLID .....	1	
14	810-47741-11-00	GEAR, DRIVEN (810-47741-10)	1	
15	(90380-08002-00)	BUSH, SOLID .....	2	
16	8E6-47711-10-00	HOUSING .....	1	
17	810-47717-10-00	SHIM .....	1	
18	810-47731-11-00	GEAR, DRIVE .....	1	
19	90381-10003-00	BUSH, SOLID .....	1	
20	853-47712-10-00	JOURNAL .....	1	
21	98701-04012-00	SCREW, FLAT HEAD .....	3	
22	93210-43141-00	O-RING .....	1	
23	97313-06016-00	BOLT, HEXAGON .....	2	

Property of [www.SmallEngineDiscount.com](http://www.SmallEngineDiscount.com) - Not for Resale

# TACHOMETER UNIT



Ref. No.	Part Number	Description	Qty	Remarks
1	(839-83540-00-00)	TACHOMETER ASSEMBLY ...	1	
2	256-84347-00-00	. BULB .....	1	
3	(839-83536-40-00)	SOCKET, METER .....	1	
4	(839-83514-40-00)	PLATE, FITTING .....	1	
5	95380-05600-00	. NUT .....	2	
6	92990-05100-00	. WASHER, SPRING .....	2	
7	(90480-58085-00)	GROMMET .....	1	
8	(842-83571-00-00)	CASE, SPDMTR UPPER .....	1	
9	843-83560-01-00	TACHOMETER CABLE (843-83560-00) .....	1	
10	821-17819-00-00	CAP, HOUSING .....	1	
11	93104-06033-00	OIL SEAL .....	1	
12	821-17843-00-00	BUSH, DRIVEN GEAR OUTER .	1	
13	813-17841-00-00	GEAR, DRIVEN (10T) .....	1	

Property of [www.SmallEngineDiscount.com](http://www.SmallEngineDiscount.com) - Not for Resale