



YAMAHA

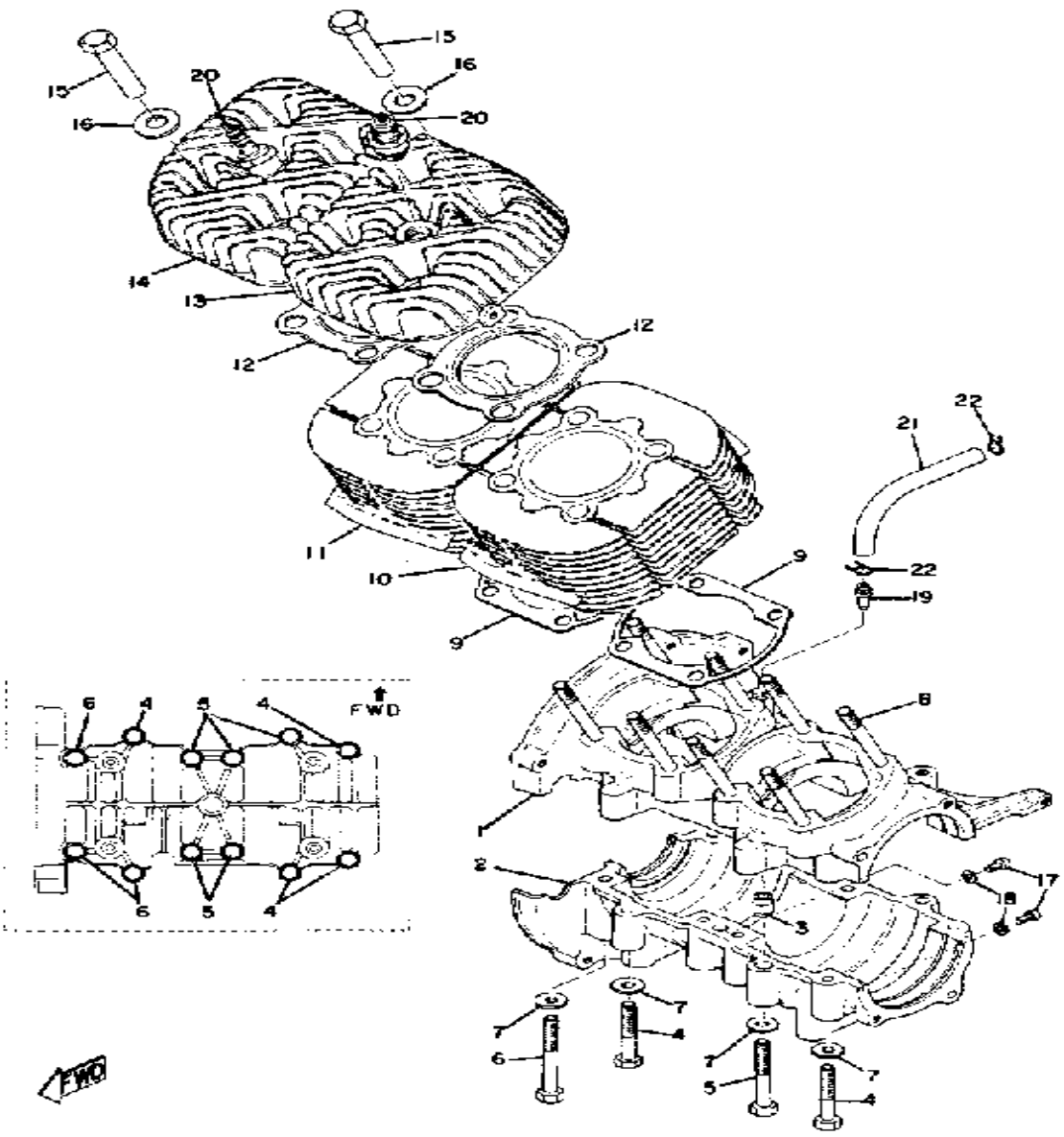
GENUINE

PARTS CATALOGUE

SNOWMOBILE

Property of www.SmallEngineDiscount.com - Not for Resale

CRANKCASE - CYLINDER

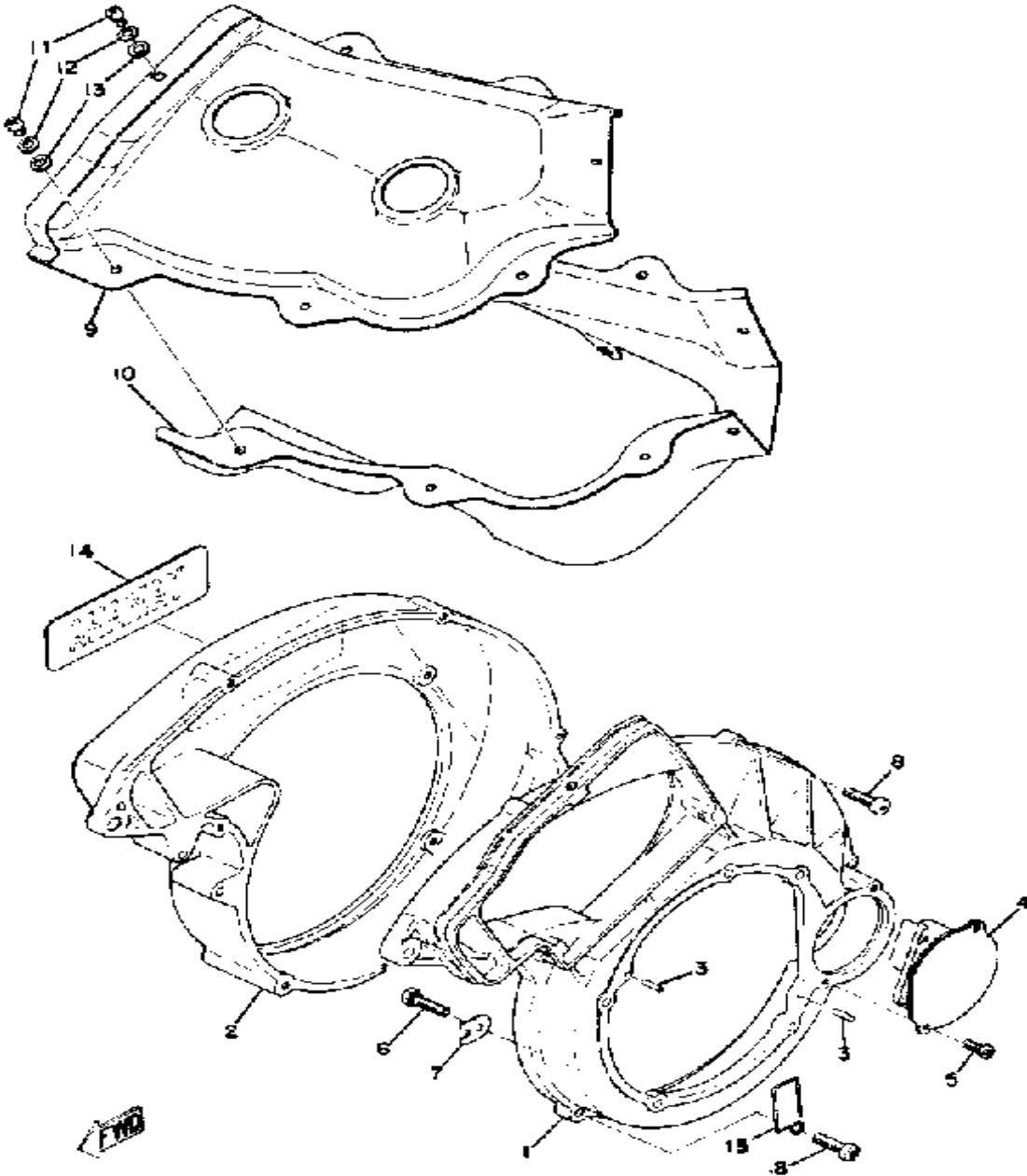


Ref. No.	Part Number	Description	Qty	Remarks
3	99510-12016-00	. PIN, DOWEL	2	
4	97313-08050-00	BOLT, HEXAGON (90101-08125)	4	
5	97013-08060-00	BOLT (663)	5	
6	92990-08200-00	WASHER, PLAIN	12	
	97021-08070-00	BOLT	3	
8	90116-08064-00	BOLT, STUD	8	
9	846-11351-01-00	GASKET, CYLINDER	2	
10	(865-11311-00-00)	CYLINDER 1	1	
11	(865-11321-00-00)	CYLINDER 2	1	
12	806-11181-00-00	GASKET, CYLINDER HEAD 1	2	
13	(865-11111-00-00)	HEAD, CYLINDER 1	1	
14	865-11121-00-00	HEAD, CYLINDER 2	1	
15	90179-08090-00	NUT, SPEC'L SHAPE	8	
16	92990-12200-00	WASHER, PLAIN	8	
17	98580-06010-00	SCREW, PAN HEAD (92503-06010)	2	
18	90430-06016-00	GASKET	2	
19	J38-11116-00-00	JOINT, BREATHER	1	
20	NGK-B8EV0-00-00	NGK B8EV 4PK (824-24315-00)	1	
21	90445-10133-00	HOSE	2	
22	90460-11002-00	CLAMP, HOSE	2	
-1	(846-15100-00-00)	CRANKCASE ASSEMBLY	1	

	Standard		Wear Limit	
	GP338F	GP433F	GP338F	GP433F
Cylinder Bore ins. (mm.)	2.36 (60.00)	2.677 (68.00)	2.366 (60.10)	2.683 (68.10)
Cylinder Taper in. (mm.)	0.0007 (0.005)	0.0002 (0.005)	0.020 (0.5)	0.020 (0.5)

Property of www.SmallEngineDiscount.com - Not for Resale

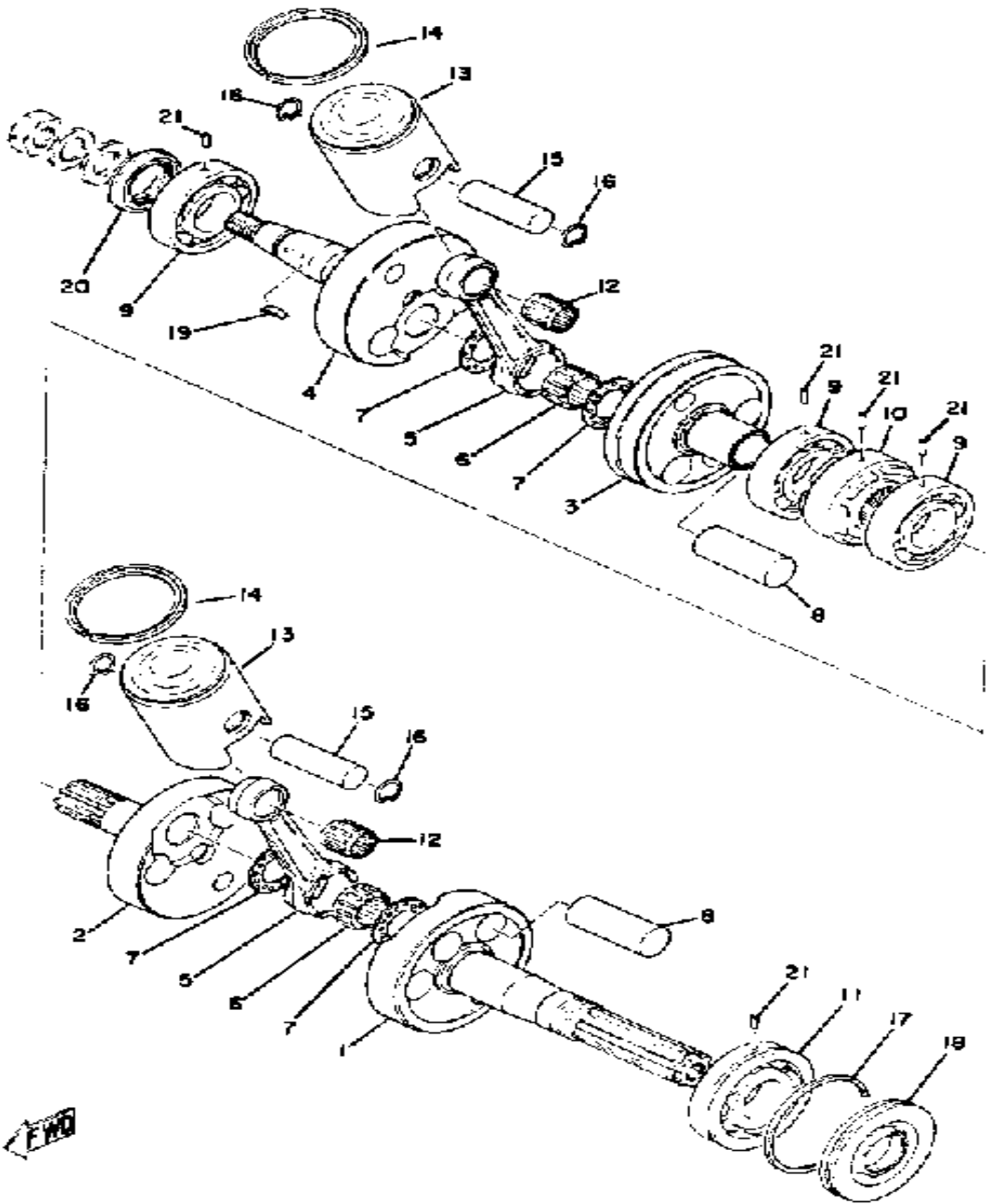
FAN CASE - AIR SHROUD



Ref. No.	Part Number	Description	Qty	Remarks
1	(838-12621-00-00)	CASE, FAN	1	
2	838-12622-00-00	CASE, FAN 2	1	
3	93604-12037-00	PIN, DOWEL	2	
4	(821-12633-00-00)	PLATE	1	
5	98580-05010-00	SCREW, PAN HEAD	2	
6	(807-12633-00-00)	PLATE	5	
7	(838-12624-00-00)	WASHER, LOCK 1	5	
8	98506-06025-00	SCREW, PAN HEAD	6	
9	(8A0-12651-00-00)	AIR SHROUD, CYLINDER 1 ...	1	
10	(840-12652-00-00)	AIR SHROUD, CYLINDER 2 ...	1	
11	98516-06012-00	SCREW, PAN HEAD	10	
12	92906-06100-00	WASHER, SPRING	10	
13	92906-06200-00	WASHER	10	
14	(838-12629-00-00)	EMBLEM	1	
15	(841-24369-00-00)	CLAMP, OIL PIPE	1	

Property of www.SmallEngineDiscount.com - Not for Resale

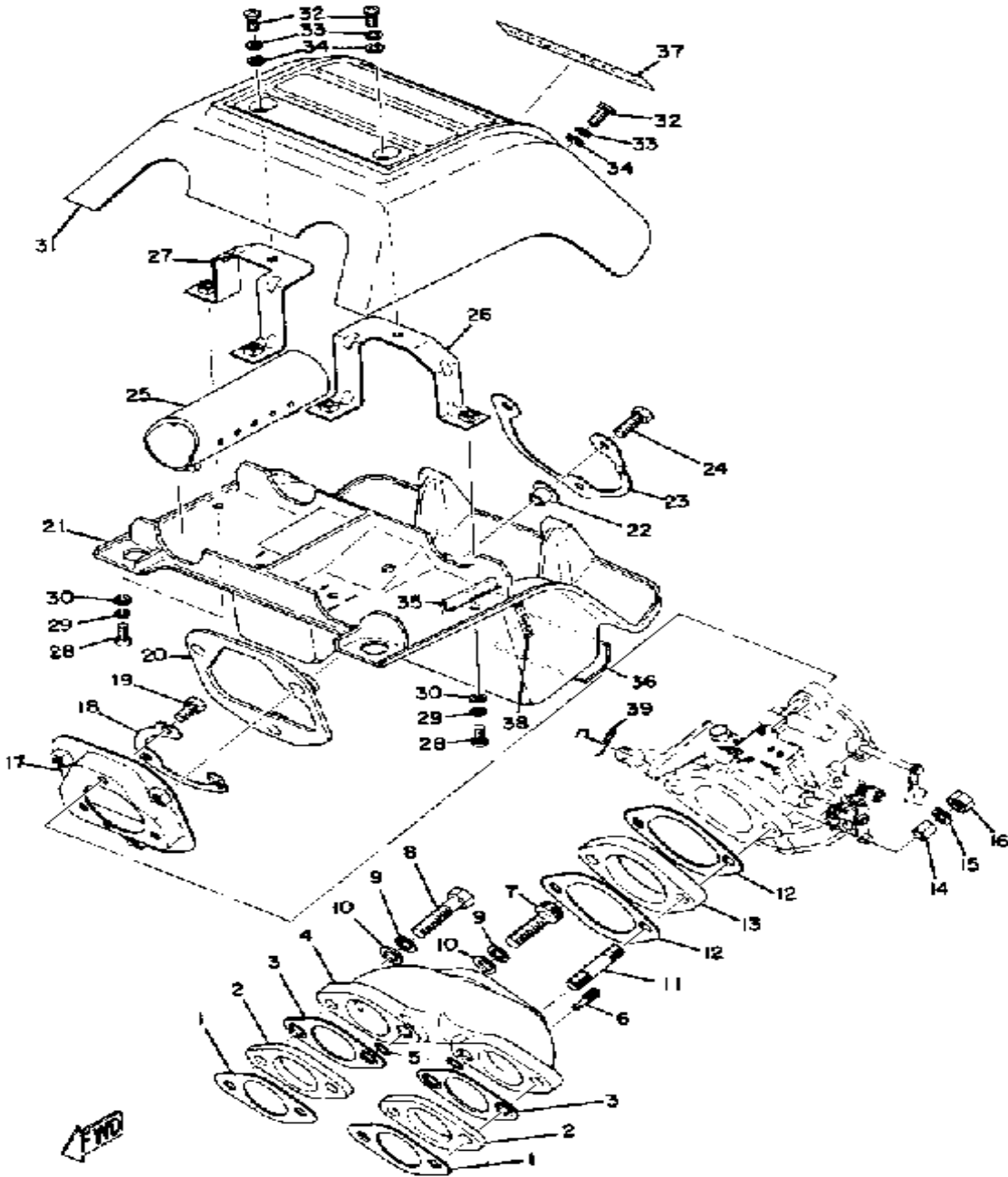
CRANK - PISTON



Ref. No.	Part Number	Description	Qty	Remarks
1	(838-11412-00-00)	CRANK 1	1	
2	(821-11422-01-00)	CRANK 2	1	
3	(821-11432-01-00)	CRANK 3	1	
4	(821-11442-00-00)	CRANK 4	1	
5	8A7-11651-00-00	. ROD, CONNECTING (838-11651-00)	2	
6	93310-42497-00	. BEARING, CYLINDER.# 0 ...	2	
7	90209-24073-00	. WASHER	4	
8	857-11681-00-00	. PIN, CRANK 1	2	
9	93306-20633-00	. BEARING	3	
10	(168-11515-00-00)	SEAL, LABYRINTH 1	1	
11	93306-30603-00	BEARING	1	
12	93310-218A6-00	BEARING	2	
13	(865-11631-00-96)	PISTON STD	2	
	(865-11636-00-00)	PISTON 2 O/S 0.0	2	ALTERNATE PART
	865-11635-00-00	PISTON 1 O/S 0.5	2	ALTERNATE PART
14	846-11611-00-00	RING, PISTON	2	
	846-11611-10-00	RING, PISTON 1ST	2	ALTERNATE PART
	846-11611-20-00	RING, PISTON 2ND	2	ALTERNATE PART
15	168-11633-00-00	PIN, PISTON	2	
16	93450-20026-00	CIRCLIP	2	
17	93440-78011-00	CIRCLIP, OUTER	1	
18	93103-32054-00	OIL SEAL, SW-TYPE	1	
19	90280-05014-00	KEY, WOODRUFF	1	
20	93103-32156-00	OIL SEAL	1	
21	93604-12037-00	PIN, DOWEL	5	
-1	840-11400-00-00	CRANKSHAFT ASSEMBLY ...	1	

Property of www.SmallEngineDiscount.com - Not for Resale

INTAKE

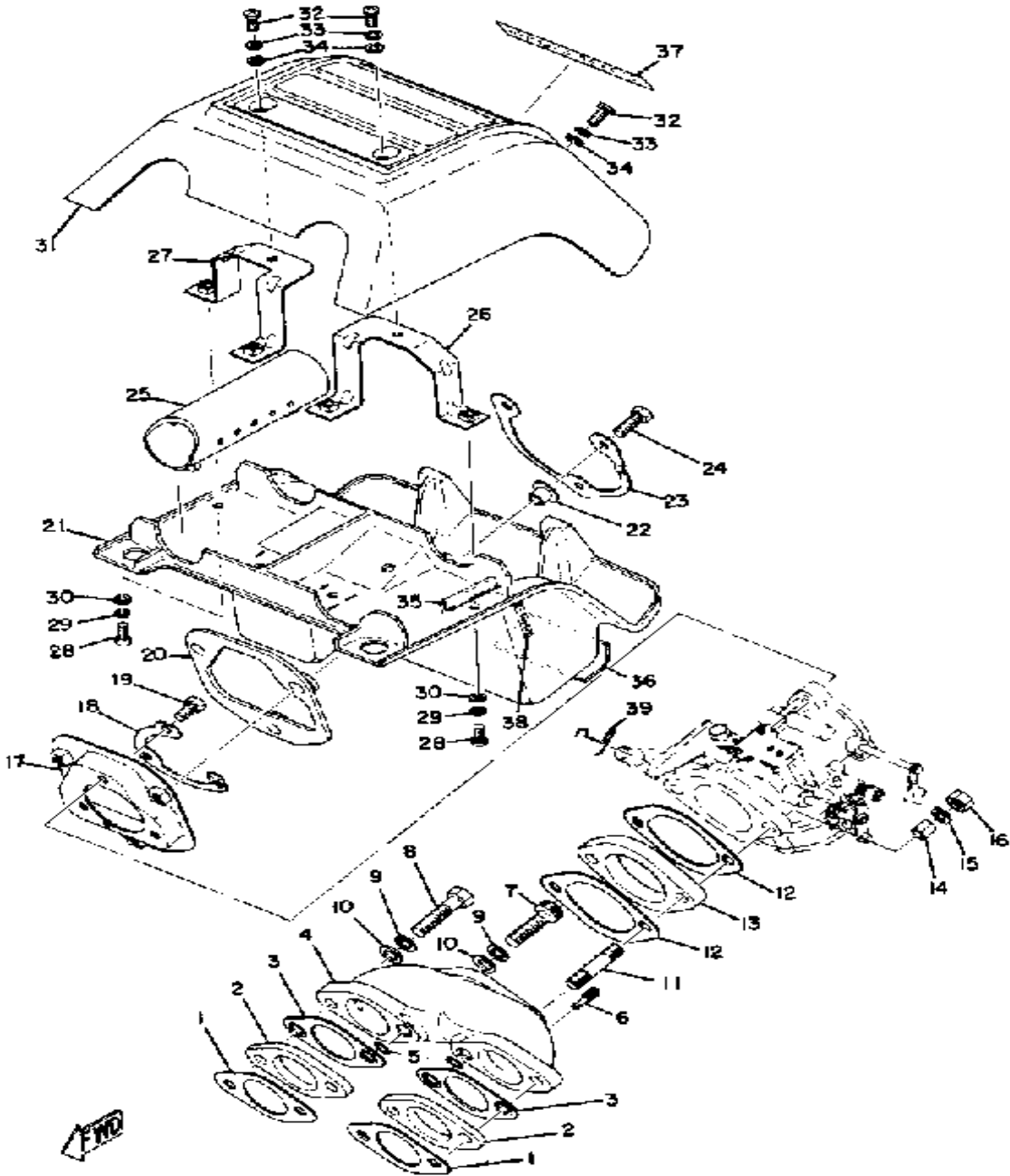


Ref. No.	Part Number	Description	Qty	Remarks
1	810-13556-00-00	GASKET, MANIFOLD	2	
2	807-13555-01-00	MANIFOLD, INTAKE	2	
3	810-13563-00-00	GASKET	2	
4	97313-08035-00	BOLT, HEXAGON	1	
5	93210-07540-00	O-RING	2	
6	824-13552-00-00	NOZZLE	2	
7	91316-08030-00	BOLT, SOCKET HEAD	2	
8	97313-08035-00	BOLT, HEXAGON	2	
9	92990-08100-00	WASHER	4	
10	92990-08200-00	WASHER, PLAIN	4	
11	(90116-08051-00)	BOLT, STUD	2	
12	810-13566-00-00	GASKET	2	
13	(812-13555-70-00)	MANIFOLD, INTAKE	1	
14	(810-13576-00-00)	SPACER	2	
15	92990-08100-00	WASHER	2	
16	95303-08700-00	NUT	2	
17	(865-14477-01-00)	PLATE	1	
18	865-14475-01-00	WASHER	1	
19	97013-06012-00	BOLT	3	
20	(865-14492-01-00)	DAMPER	1	
21	(865-14431-01-00)	SILENCER, INTAKE 1	1	
22	90387-06024-00	COLLAR	3	
23	(866-14475-01-00)	WASHER	1	
24	97023-06020-00	BOLT (3XF)	3	
25	(865-14419-00-00)	PIPE	2	
26	(865-14498-01-00)	STAY 1	1	
27	(866-14498-01-00)	STAY 1	1	
28	98580-05012-00	SCREW, PAN HEAD	4	
29	92990-05100-00	WASHER, SPRING	4	

CONTINUED ON NEXT FRAME ➤

Property of www.SmallEngineDiscount.com - Not for Resale

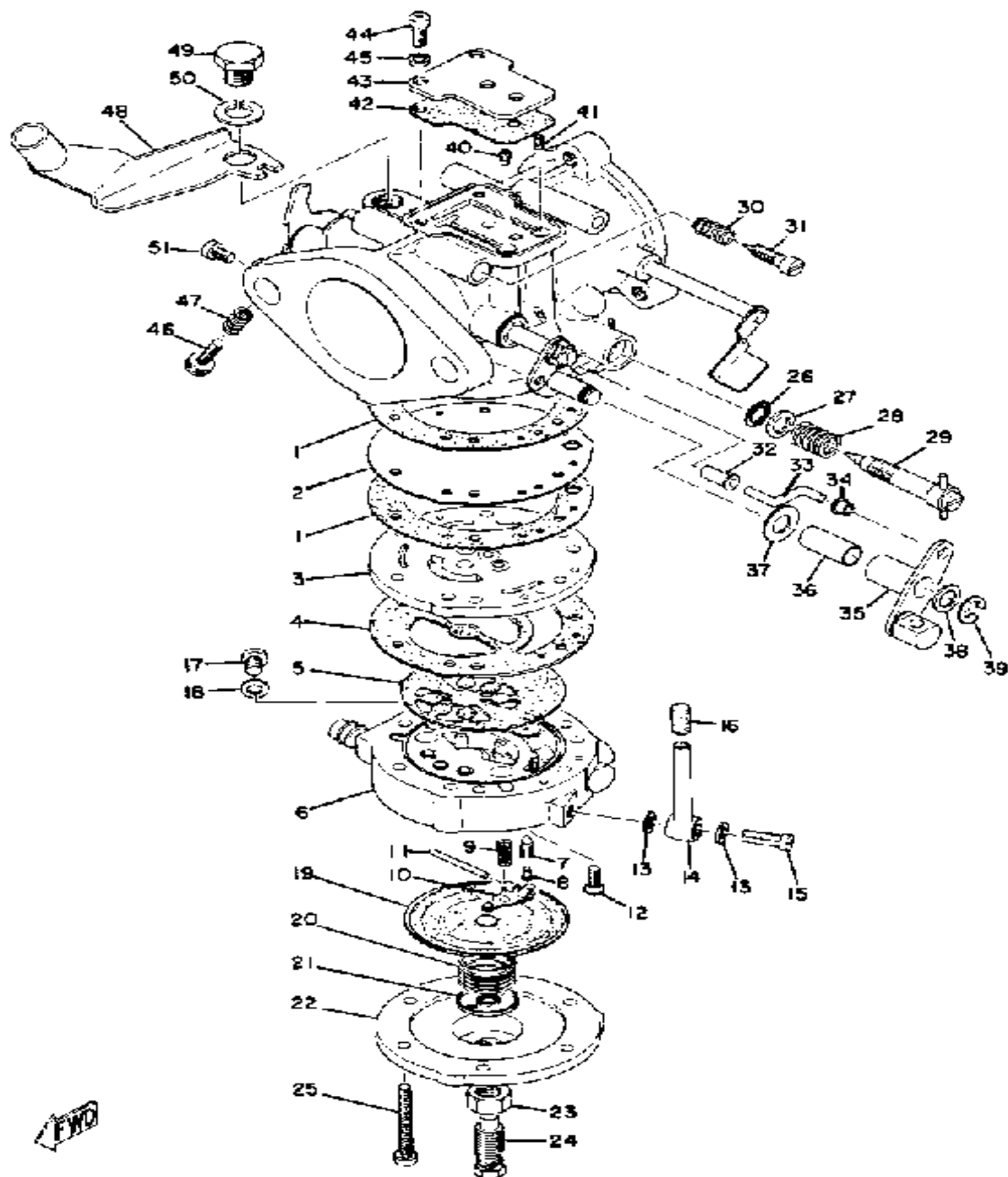
INTAKE



Ref. No.	Part Number	Description	Qty	Remarks
30	92990-05200-00	WASHER, PLAIN	4	
31	(865-14441-00-00)	SILENCER, INTAKE 2	1	
32	98906-05012-00	SCREW, BIND	4	
33	92906-05100-00	WASHER, SPRING	4	
34	92906-05200-00	WASHER, PLAIN	4	
35	(865-14425-00-00)	DAMPER 1	2	
36	865-14458-00-00	GUIDE, ELEMENT	1	
37	(865-77351-00-00)	EMBLEM 1	1	
38	(847-77455-00-00)	INDICATOR, CHOKE	1	
39	822-41222-00-00	CLAMP, THROTTLE	1	

Property of www.SmallEngineDiscount.com - Not for Resale

CARBURETOR

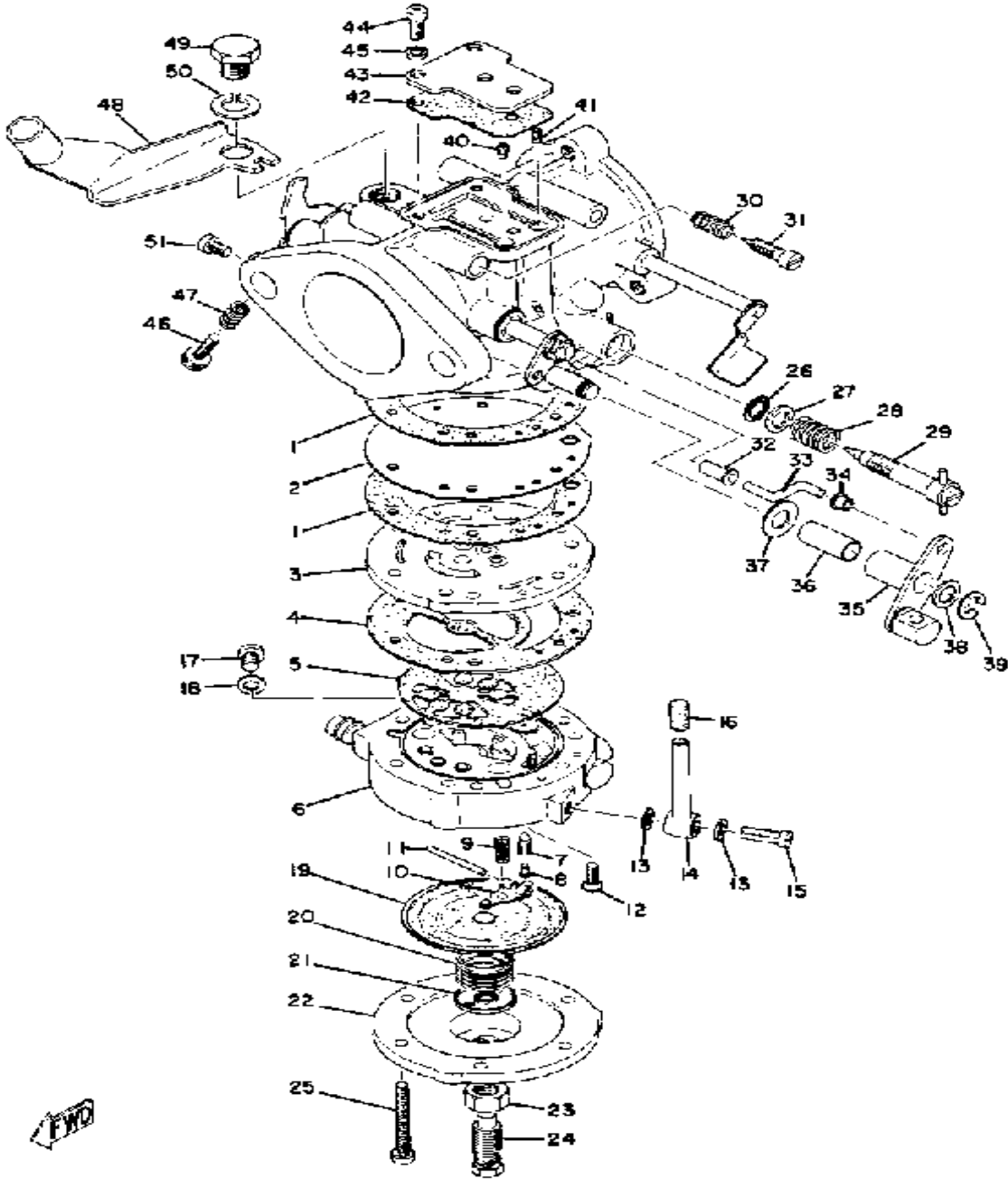


Ref. No.	Part Number	Description	Qty	Remarks
1	(865-14536-00-00)	GASKET	2	
2	865-14541-00-00	. DIAPHRAGM, PUMP	1	
3	(865-14542-01-00)	BODY, PUMP 1	1	
4	865-14553-01-00	. GASKET	1	
5	806-14552-01-00	. VALVE, CHECK	1	
6	(865-14543-00-00)	BODY, PUMP 2	1	
7	838-14546-00-00	. VALVE, NEEDLE	1	
8	676-14186-00-00	. PIN, FLOAT	1	
9	810-14556-00-00	. SPRING	1	
10	(810-14547-00-00)	ARM, FLOAT	1	
11	(806-14548-00-00)	PIN, FLOAT ARM	1	
12	98702-03008-00	. SCREW, FLAT HEAD	1	
13	806-14559-00-00	. WASHER	2	
14	810-14197-02-00	. PIPE, AIRVENT	1	
15	8A1-14592-00-00	. SCREW	1	
16	810-24462-01-00	. CAP, BLIND	1	
17	(806-14567-01-00)	SCREW	1	
18	810-14597-00-00	. WASHER	1	
19	810-14545-00-00	. DIAPHRAGM	1	
20	90501-06213-00	. SPRING, COMPRESSION	1	
21	(810-14136-00-00)	SEAT, SPRING	1	
22	810-14544-00-00	. NO LONGER AVAILABLE	1	
23	95303-08700-00	. NUT	1	
24	824-14565-00-00	. SCREW, STOP	1	
25	(824-14567-00-00)	SCREW		
26	824-14564-00-00	. O-RING	1	
27	838-14597-00-00	. WASHER	2	
28	(824-14533-00-00)	SPRING, AJST SCREW	1	
29	838-14521-00-00	. SCREW, ADJUST	1	

CONTINUED ON NEXT FRAME ►

Property of www.SmallEngineDiscount.com - Not for Resale

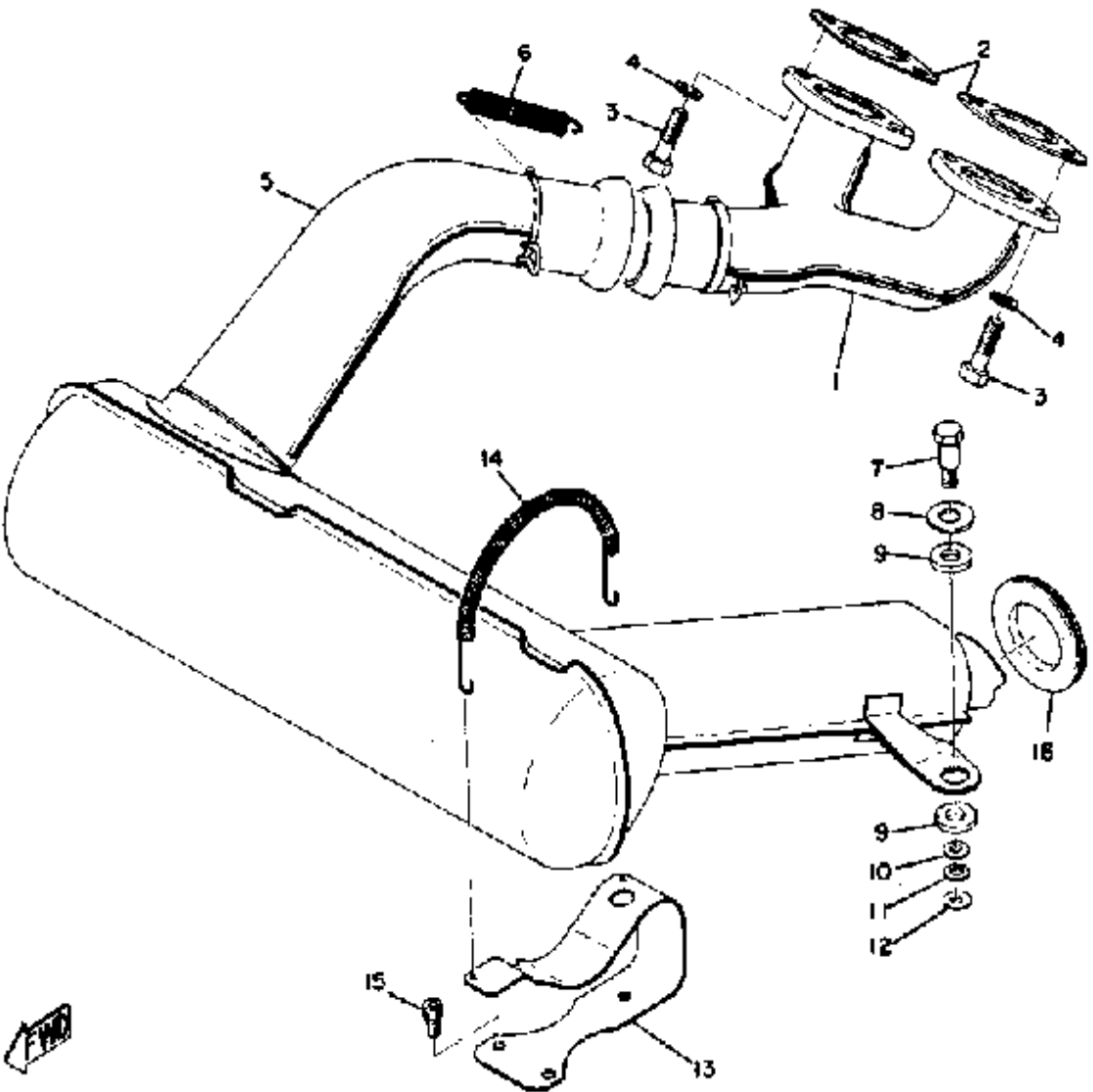
CARBURETOR



Ref. No.	Part Number	Description	Qty	Remarks
30	90501-08214-00	. SPRING, COMPRESSION	1	
31	(865-14522-00-00)	SCREW, ADJUST	1	
32	(865-14535-00-00)	COLLAR	1	
33	(865-14577-00-00)	ROD	1	
34	865-14534-00-00	. COLLAR	1	
35	865-14573-00-00	. LEVER	1	
36	(806-14534-00-00)	COLLAR	1	
37	90202-07055-00	. WASHER, PLATE	1	
38	90202-06056-00	. WASHER, PLATE	1	
39	99080-05600-00	. CIRCLIP	1	
40	865-14515-52-00	. JET #52 (#52)	1	
41	865-14515-68-00	. JET # 8	1	
42	(865-14537-00-00)	GASKET	1	
43	(865-14527-00-00)	PLATE	1	
44	98580-04010-00	. SCREW, PAN HEAD	3	
45	92901-04100-00	. WASHER, SPRING	3	
46	(810-14523-00-00)	SCREW, STOP	1	
47	(806-14533-00-00)	SPRING, AJST SCREW	1	
48	865-14571-01-00	. BRACKET, THROTTLE	1	
49	97313-08012-00	. BOLT	1	
50	92990-08100-00	. WASHER	1	
51	98511-04006-00	. SCREW, PAN HEAD (98501-04005)	1	
-1	(865-14501-00-00)	CARBURETOR ASSEMBLY 1	1	

Property of www.SmallEngineDiscount.com - Not for Resale

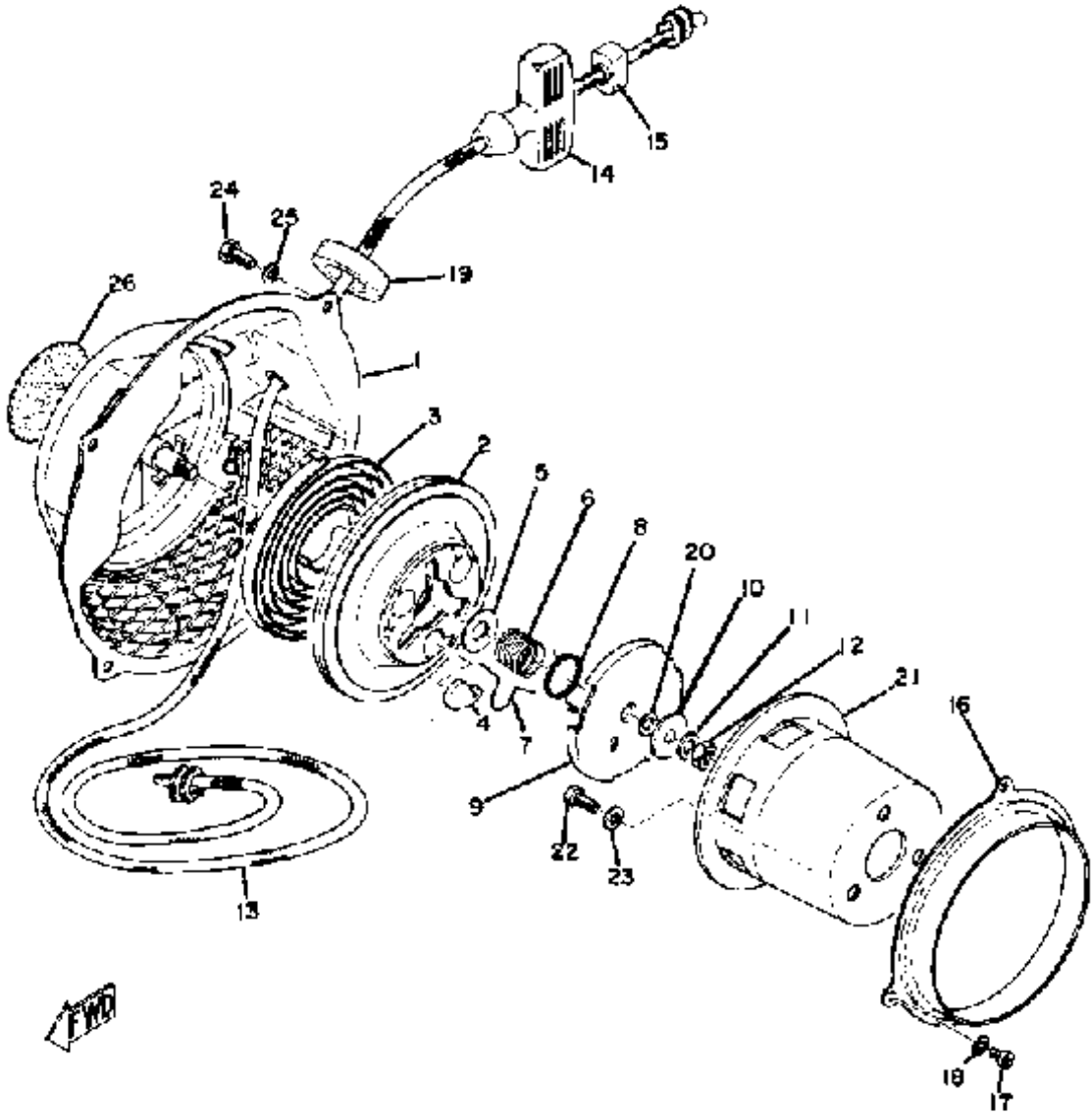
EXHAUST



Ref. No.	Part Number	Description	Qty	Remarks
1	(846-14610-00-00)	EXHAUST PIPE ASSEMBLY L . .	1	
2	821-14613-01-00	GASKET, EXHAUST PIPE	2	
3	806-14651-00-00	BOLT	4	
4	92990-08100-00	WASHER	4	
5	(865-14710-00-00)	MUFFLER ASSEMBLY L	1	
6	821-14773-00-00	SPRING, MUFFLER	2	
7	(90109-08403-00)	BOLT	1	
8	90201-12190-00	WASHER, PLATE	1	
9	865-14757-00-00	DAMPER, MUFFLER 2	2	
10	(90560-08065-00)	SPACER	1	
11	92990-08100-00	WASHER	1	
12	(90201-07080-00)	WASHER, PLATE	1	
13	(865-14771-00-00)	STAY, MUFFLER 1	2	
14	90506-16076-00	SPRING, TENSION	2	
15	90110-06145-00	BOLT, HEX.SOCKET	4	
16	865-14718-01-00 (865-14718-00)	PROTECTOR, MUFF 1	1	

Property of www.SmallEngineDiscount.com - Not for Resale

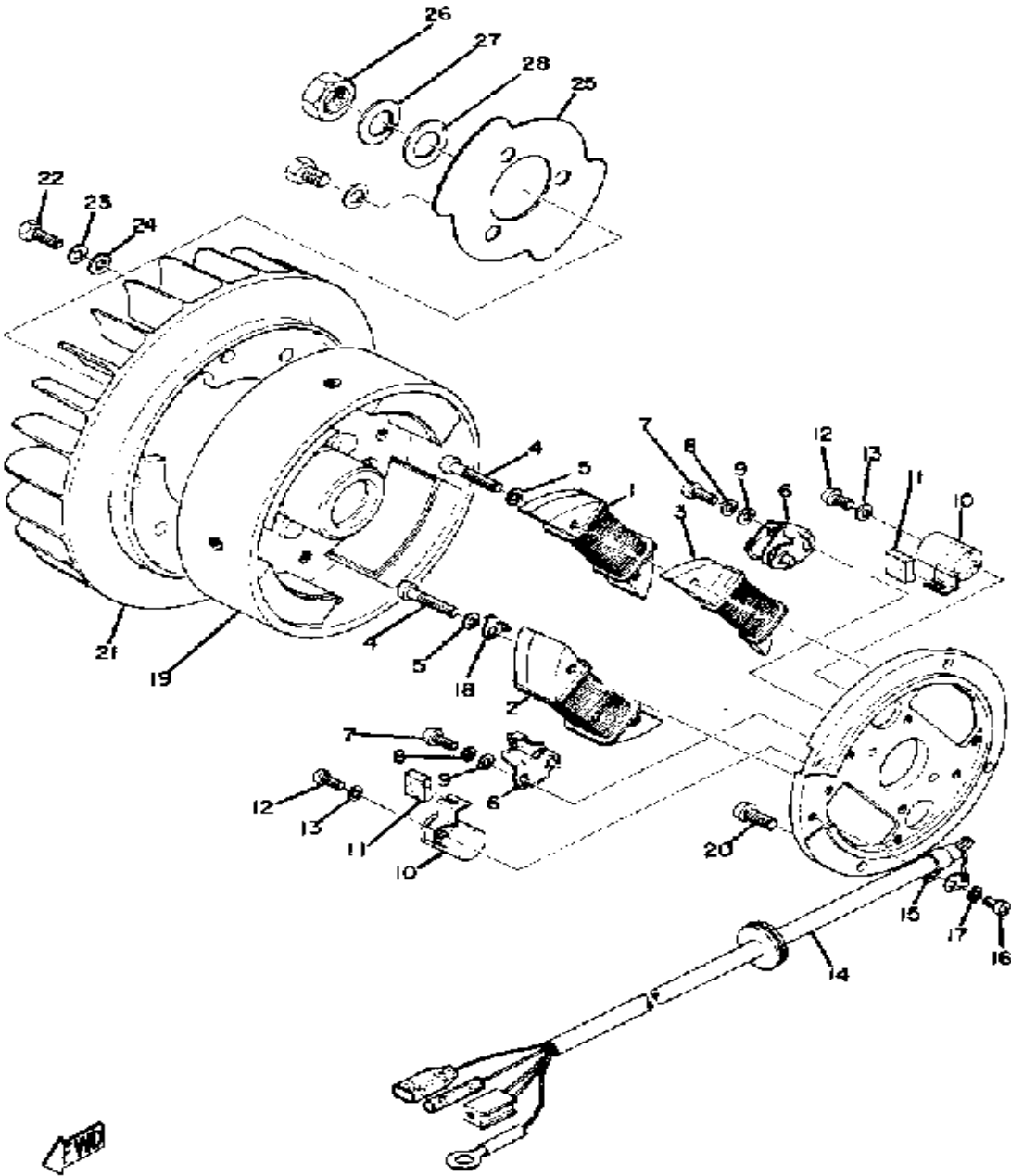
STARTER



Ref. No.	Part Number	Description	Qty	Remarks
1	(821-15711-00-00)	CASE, STARTER	1	
2	811-15714-00-00	. DRUM, SHEAVE	1	
3	8Y0-15713-00-00	. SPRING, STARTER	1	
4	616-15741-01-00	. PAWL, DRIVE	3	
5	(802-15726-00-00)	WASHER, FLAT	1	
6	626-15715-01-00	. SPRING, DRIVE PLATE (807-15715-00)	1	
7	811-15784-00-00	. SPRING, RETURN	3	
8	811-15734-00-00	. SPRING, RETURN	1	
9	811-15716-00-00	. PLATE, DRIVE	1	
10	807-15726-01-00	. WASHER, FLAT	1	
11	92990-08100-00	. WASHER	1	
12	95303-08700-00	. NUT	1	
13	(807-15751-00-00)	ROPE, STARTER	1	
14	807-15755-00-00	. HANDLE, STARTER	1	
15	619-15756-00-00	. CONNECTOR 1	1	
16	(811-15782-00-00)	COVER, SHEAVE	1	
17	98580-05010-00	. SCREW, PAN HEAD	3	
18	92990-05100-00	. WASHER, SPRING	3	
19	(811-15775-00-00)	KNOB, STOPPER RING	1	
20	(811-15722-00-00)	SHIM	1	
21	(811-15723-00-00)	PULLEY, STARTER	1	
22	97313-08016-00	BOLT, HEXAGON	3	
23	92990-08100-00	WASHER	3	
24	97016-06016-00	BOLT	4	
25	92906-06100-00	WASHER, SPRING	4	
26	(838-15791-00-00)	EMBLEM	1	
-1	(821-15710-00-00)	STARTER ASSEMBLY	1	

Property of www.SmallEngineDiscount.com - Not for Resale

FLYWHEEL MAGNETO

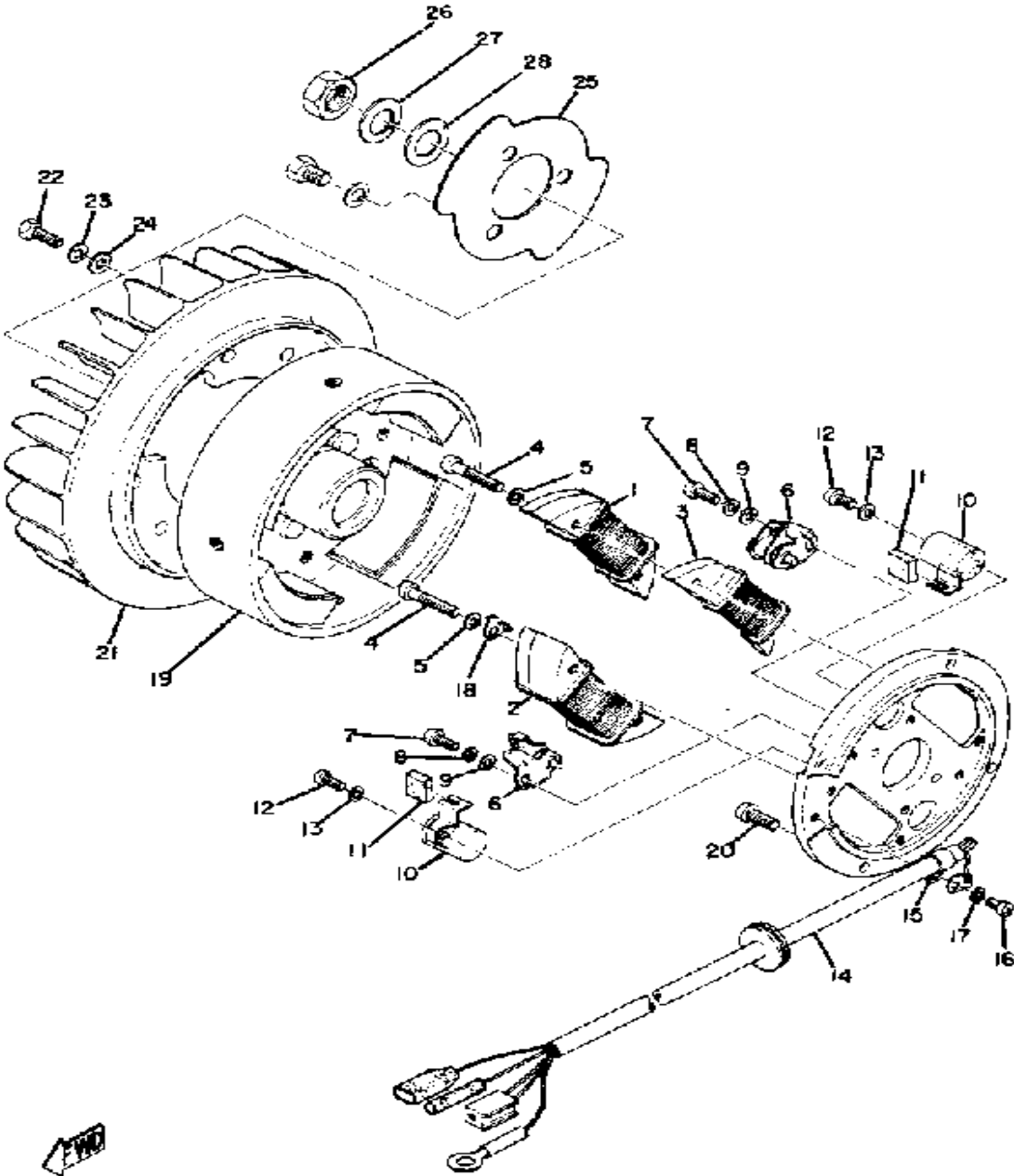


Ref. No.	Part Number	Description	Qty	Remarks
1	8A0-81312-20-00	. COIL, SOURCE	1	
2	(838-81313-20-00)	COIL, LIGHTING 1	1	
3	(838-81314-20-00)	COIL, LIGHTING 2	1	
	802-81345-20-00	. SCREW, PAN HEAD	4	
5	92990-05100-00	. WASHER, SPRING	4	
6	806-81321-20-00	. CONTACT BRKR ASSEMBLY	2	
7	110-81346-21-00	. SCREW, PAN HEAD	2	
8	92901-04100-00	. WASHER, SPRING	2	
9	92990-04200-00	. WASHER, PLAIN	2	
10	802-81325-90-00	. CONDENSER 1	2	
11	116-81331-20-00	. LUBRICATOR	2	
12	110-81346-21-00	. SCREW, PAN HEAD	2	
13	92901-04100-00	. WASHER, SPRING	2	
14	(838-81315-21-00)	LEAD WIRE ASSEMBLY	1	
15	104-81328-20-00	. CLAMP	1	
16	98580-04008-00	. SCREW, PAN HEAD	1	
17	92901-04100-00	. WASHER, SPRING	1	
18	(812-81332-20-00)	PLATE, TIMING	1	
19	(838-81350-20-00)	ROTOR ASSEMBLY	1	
20	98503-06014-00	SCREW, PAN HEAD (92502-06016)	4	
21	838-12611-00-00	FAN	1	
22	90101-06127-00	BOLT	6	
23	92995-06100-00	WASHER, SPRING	6	
24	90201-06M08-00	WASHER, PLATE	6	
25	(812-81362-00-00)	COVER, HOLE	1	
26	90170-16182-00	NUT	1	
27	92901-16100-00	WASHER, SPRING	1	
28	(92901-16247-00)	WASHER	1	

CONTINUED ON NEXT FRAME ►

Property of www.SmallEngineDiscount.com - Not for Resale

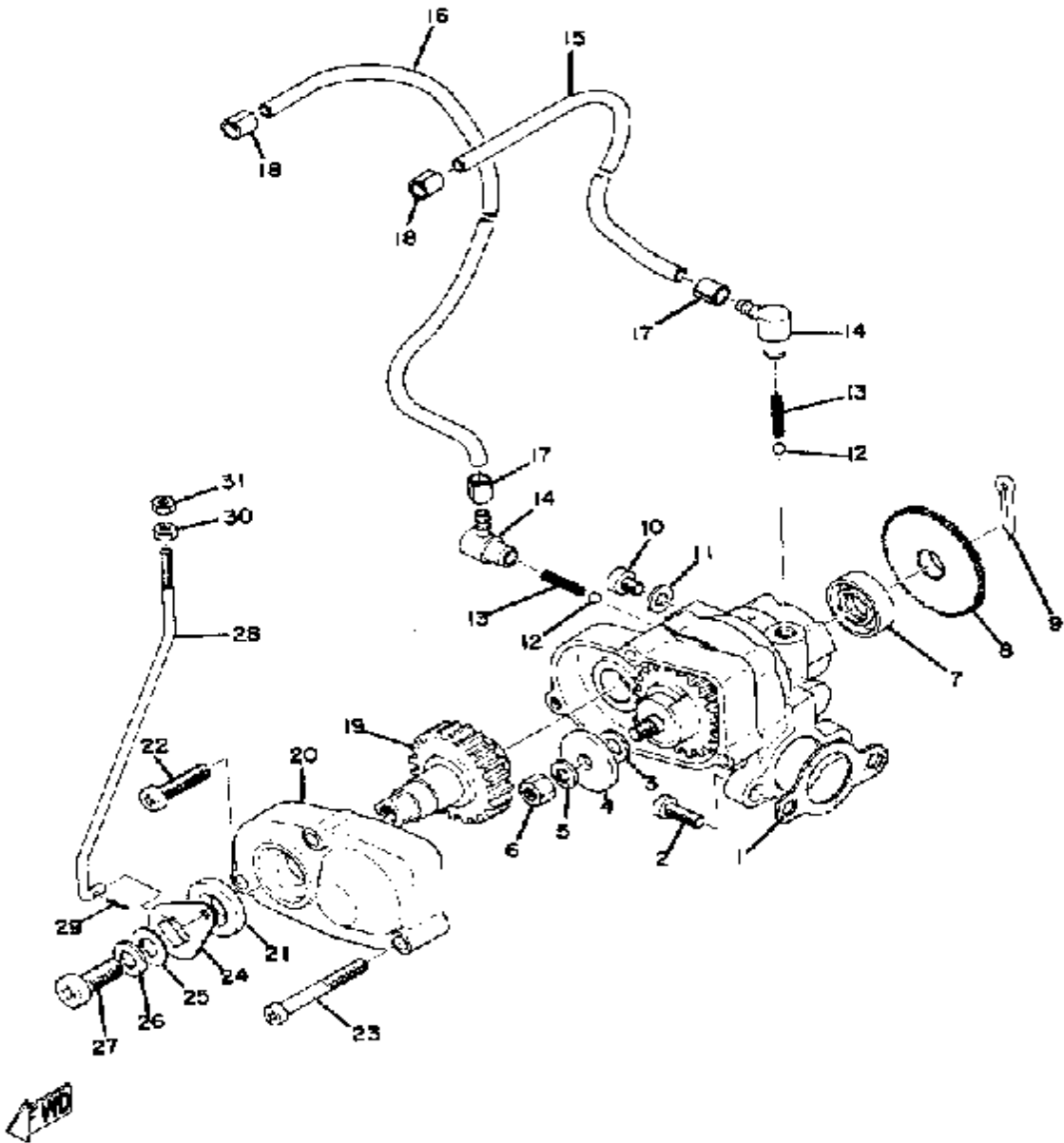
FLYWHEEL MAGNETO



Ref. No.	Part Number	Description	Qty	Remarks
-1	(861-81300-20-00)	FLYWHL MAGNETO ASSEMBLY	1	

Property of www.SmallEngineDiscount.com - Not for Resale

OIL PUMP

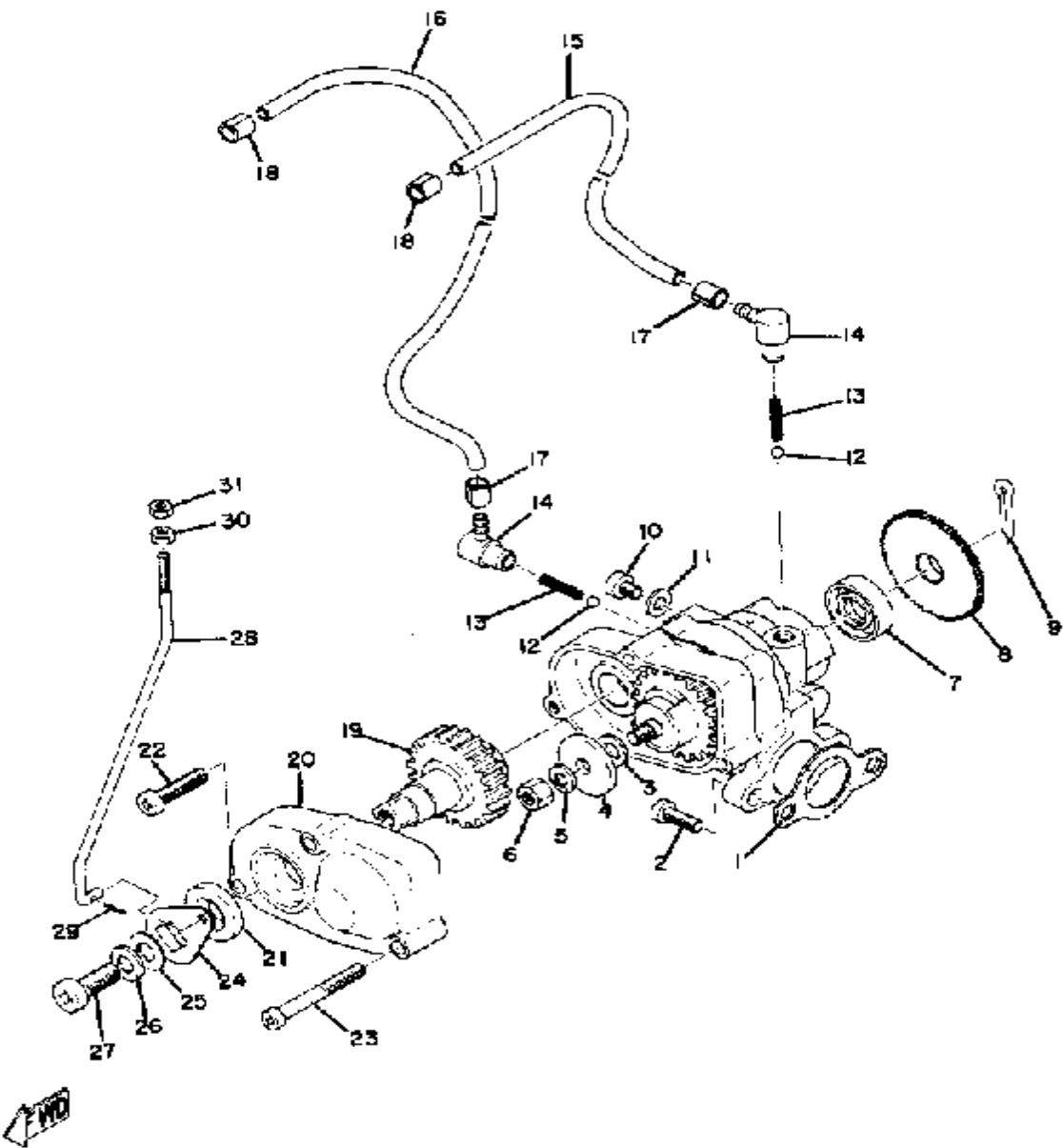


Ref. No.	Part Number	Description	Qty	Remarks
1	3MT-13116-00-00	GASKET, PUMP CASE (8Y0-13116-00)	1	
2	98580-05016-00	SCREW, PAN HEAD	2	
3	137-13137-00-03	. SHIM (0.3T)	1	U.R.
	137-13137-00-05	. SHIM (0.5T)	1	U.R.
	137-13137-00-10	. SHIM (1.0T)	1	U.R.
4	137-13138-01-00	. PLATE, ADJUSTING	1	
5	92990-05100-00	. WASHER, SPRING	1	
6	95380-05600-00	. NUT	1	
7	93101-10090-00	. OIL SEAL	1	
8	(137-13128-00-00)	PLATE, STARTER	1	
9	91401-12018-00	. PIN, COTTER	1	
10	98901-04008-00	. SCREW, BIND	1	
11	90430-04004-00	. GASKET	1	
12	93505-32002-00	. BALL	2	
13	90501-02018-00	. SPRING, COMPRESSION	2	
14	353-13552-01-00	. NOZZLE	2	
15	90445-05022-00	. HOSE	1	
16	90445-05029-00	. HOSE (807-13171-00)	1	
17	90468-02033-00	. CLIP	2	
18	90468-02033-00	CLIP	1	
19	(838-13154-01-00)	GEAR, PUMP CONTROL	1	
20	(859-13146-00-00)	COVER, AJST PULLEY	1	
21	93104-12043-00	OIL SEAL, SO-TYPE (SO-12-20-4)	1	
22	98511-04020-00	SCREW, PAN HEAD	1	
23	98501-04035-00	SCREW, PAN HEAD	2	
24	(846-13156-00-00)	LEVER, PUMP CONTROL	1	
25	92990-06200-00	WASHER	1	

CONTINUED ON NEXT FRAME ►

Property of www.SmallEngineDiscount.com - Not for Resale

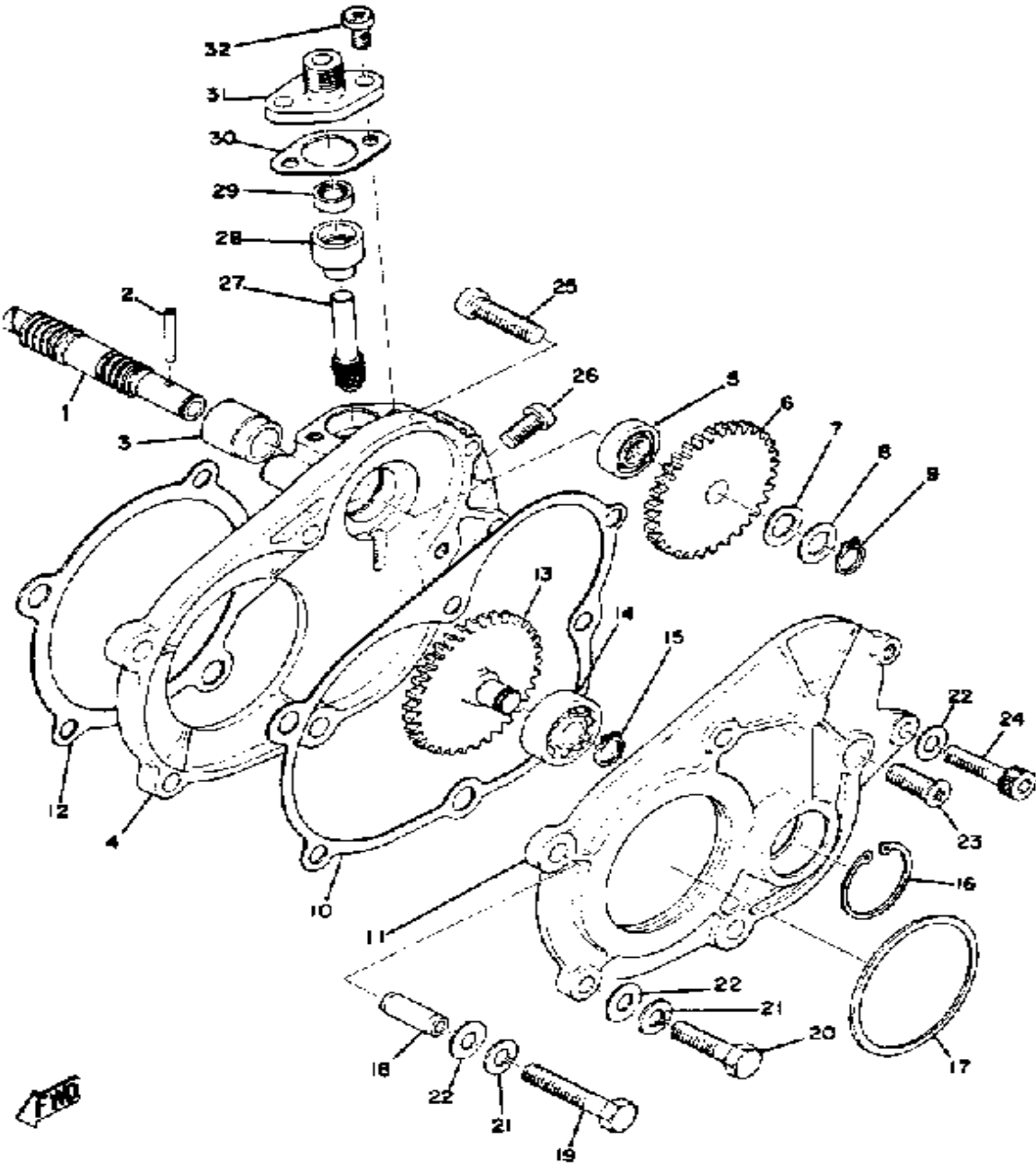
OIL PUMP



Ref. No.	Part Number	Description	Qty	Remarks
26	92995-06100-00	WASHER, SPRING	1	
27	98503-06014-00	SCREW, PAN HEAD (92502-06016)	1	
28	(865-13157-00-00)	ROD, PUMP CONTROL	1	
29	91490-12012-00	PIN, COTTER	1	
30	90170-03008-00	NUT, HEXAGON (807-13139-00)	1	
31	90185-03007-00	NUT, SELF-LOCKING (838-13139-00)	1	
-1	3MT-13116-00-00	GASKET, PUMP CASE (8Y0-13116-00)	1	

Property of www.SmallEngineDiscount.com - Not for Resale

PUMP DRIVE-GEAR

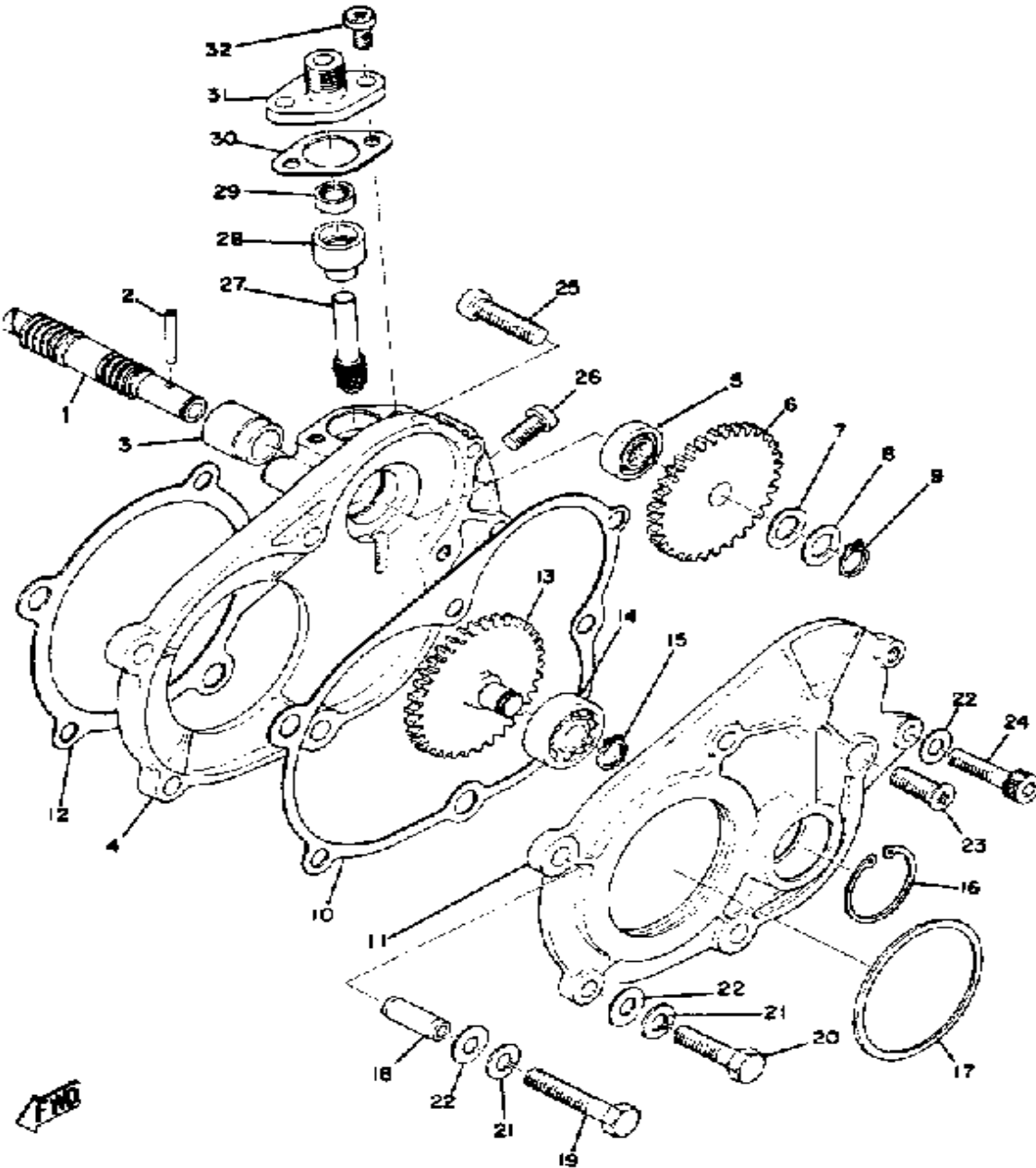


Ref. No.	Part Number	Description	Qty	Remarks
1	826-13175-00-00	SHAFT, WORM	1	
2	93603-22028-00	PIN, DOWEL	1	
3	821-13176-00-00	METAL, WORM SHAFT OUTER	1	
4	(8E3-15416-00-00)	COVER, OIL PUMP	1	
5	93101-10090-00	OIL SEAL	1	
6	821-13188-00-00	GEAR, DRIVE (32T)	1	
7	90206-11016-00	WASHER, WAVE	1	
8	137-13148-00-00	PLATE, CAM THRUST	1	
9	99009-10400-00	CIRCLIP	1	
10	859-15466-00-00	GASKET 2	1	
11	838-15426-00-00	COVER, OIL PUMP R	1	
12	838-15456-00-00	GASKET, O/PMP CVR 1	1	
13	(821-13179-00-00)	GEAR, IDLE	1	
14	93306-00002-00	BEARING (B6000RS)	1	
15	99009-10400-00	CIRCLIP	1	
16	93420-26024-00	CIRCLIP, R-TYPE (R-26)	1	
17	(838-13119-00-00)	SEAL, GREASE	1	
18	91810-18022-00	PIN, DOWEL	2	
19	97013-06035-00	BOLT	2	
20	97011-06025-00	BOLT (97001-06025)	2	
21	92995-06100-00	WASHER, SPRING	4	
22	92990-06200-00	WASHER	5	
23	98701-06014-00	SCREW, FLAT HEAD	1	
24	91316-06025-00	BOLT	1	
25	98511-06025-00	SCREW PAN HEAD (92501-06025)	1	
26	98580-06012-00	SCREW, PAN HEAD	1	
27	813-17841-00-00	GEAR, DRIVEN (10T)	1	
28	821-17843-00-00	BUSH, DRIVEN GEAR OUTER	1	

CONTINUED ON NEXT FRAME ►

Property of www.SmallEngineDiscount.com - Not for Resale

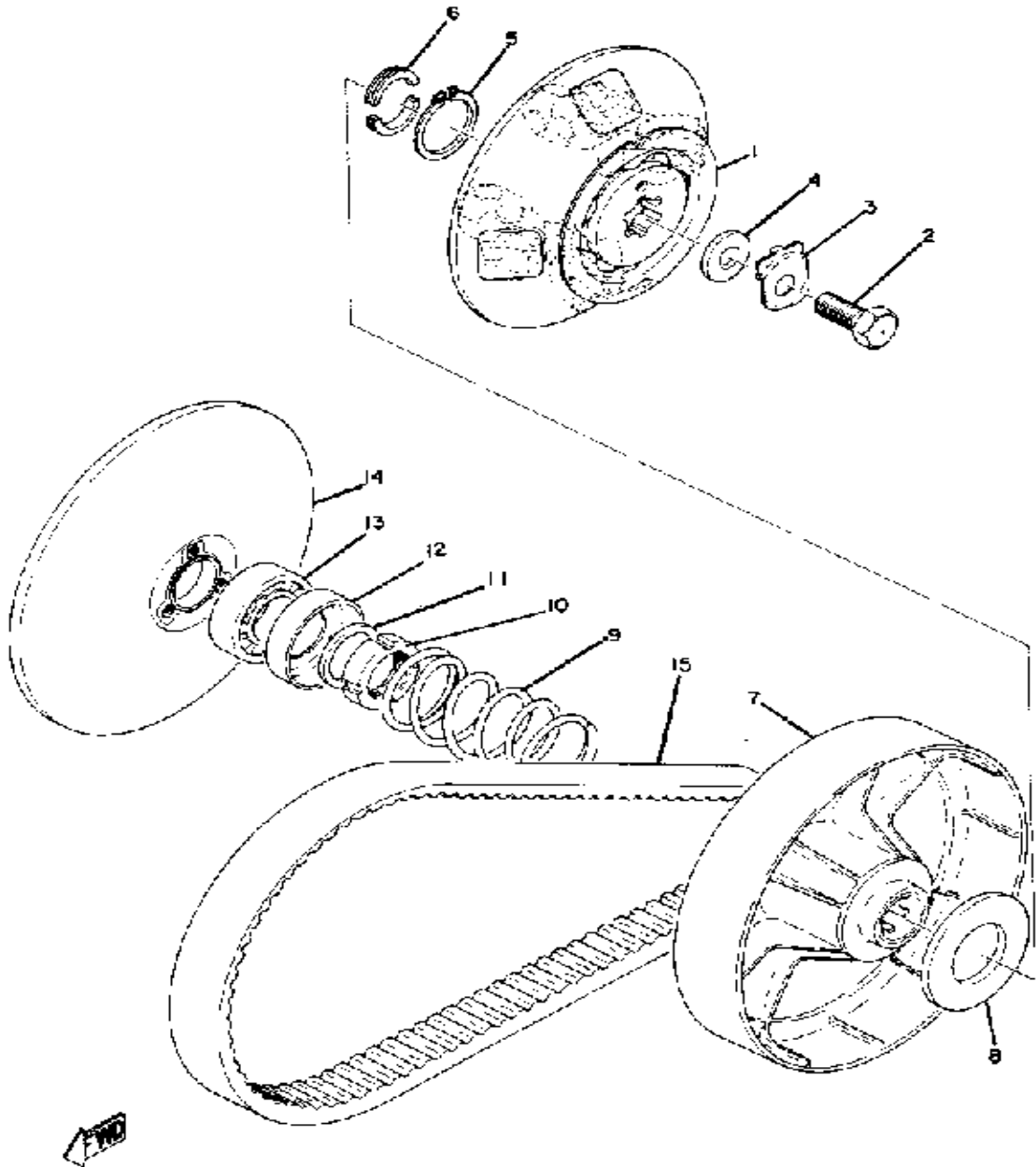
PUMP DRIVE-GEAR



Ref. No.	Part Number	Description	Qty	Remarks
29	93104-06033-00	OIL SEAL	1	
30	821-17818-02-00	GASKET	1	
31	821-17819-00-00	CAP, HOUSING	1	
32	98580-05010-00	SCREW, PAN HEAD	1	

Property of www.SmallEngineDiscount.com - Not for Resale

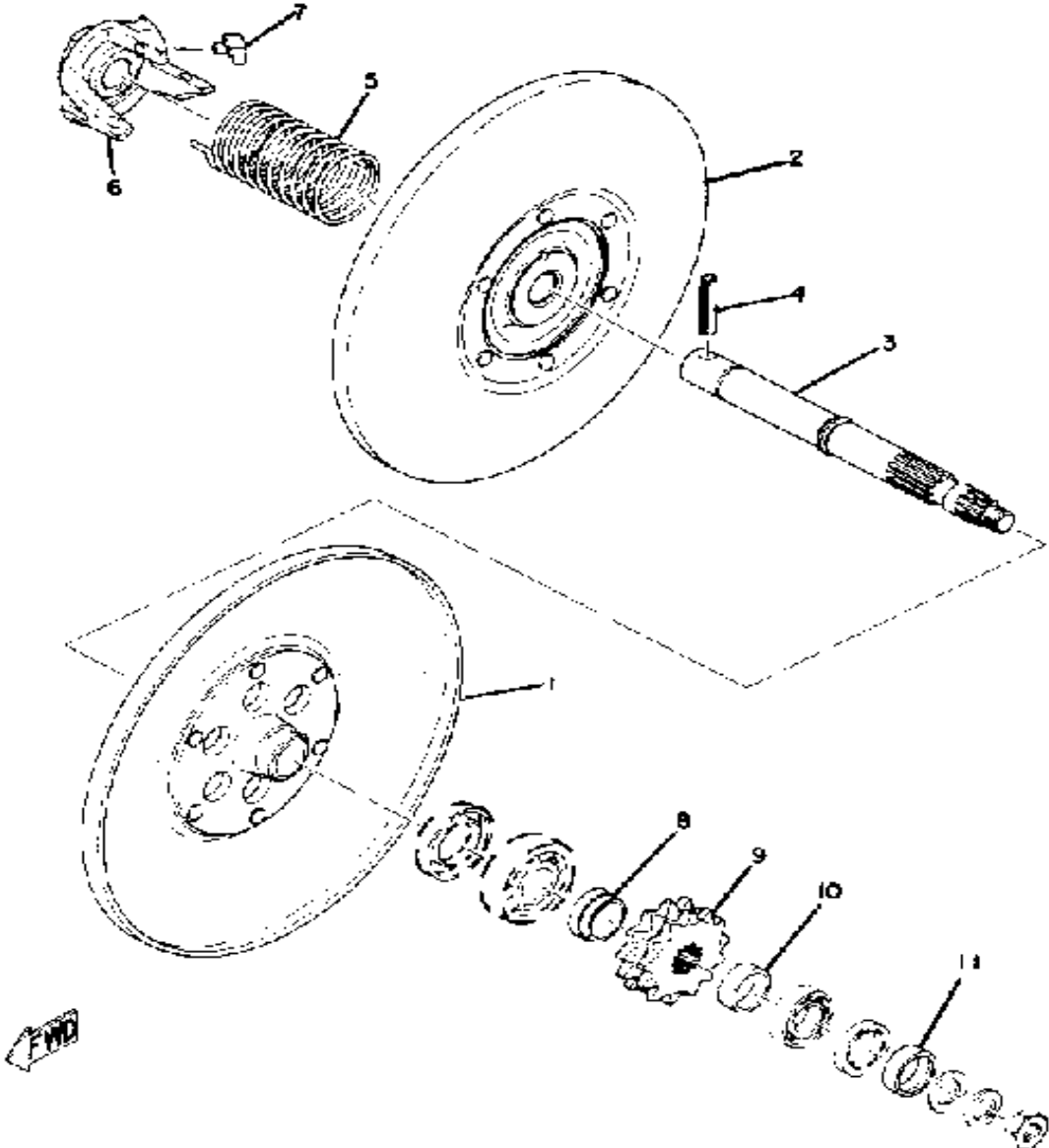
PRIMARY SHEAVE



Ref. No.	Part Number	Description	Qty	Remarks
1	8F8-W1762-00-00	PRI. SHEAVE CAP (864-17630-01)	1	
2	(838-17647-01-00)	BOLT	1	
3	90215-12084-00	WASHER, LOCK	1	
4	90201-12191-00	WASHER, PLATE	1	
5	99009-30400-00	CIRCLIP	1	
6	806-17645-00-00	COLLAR	2	
7	864-17620-00-00	PRI SLIDG SHEAVECOMP.	1	
8	823-17623-00-00	CAM	1	
9	90501-50207-00	SPRING, COMPRESSION	1	
10	(810-17642-00-00)	NUT, BEARING	1	
11	90208-28003-00	WASHER, CONICAL SPR	1	
12	806-17644-00-00	SEAT, SPRING	1	
13	93306-20567-00	BEARING	1	
14	(864-W1761-00-00)	PRI. FIXED SHEAVE	1	
15	820-17641-00-00	V-BELT	1	

Property of www.SmallEngineDiscount.com - Not for Resale

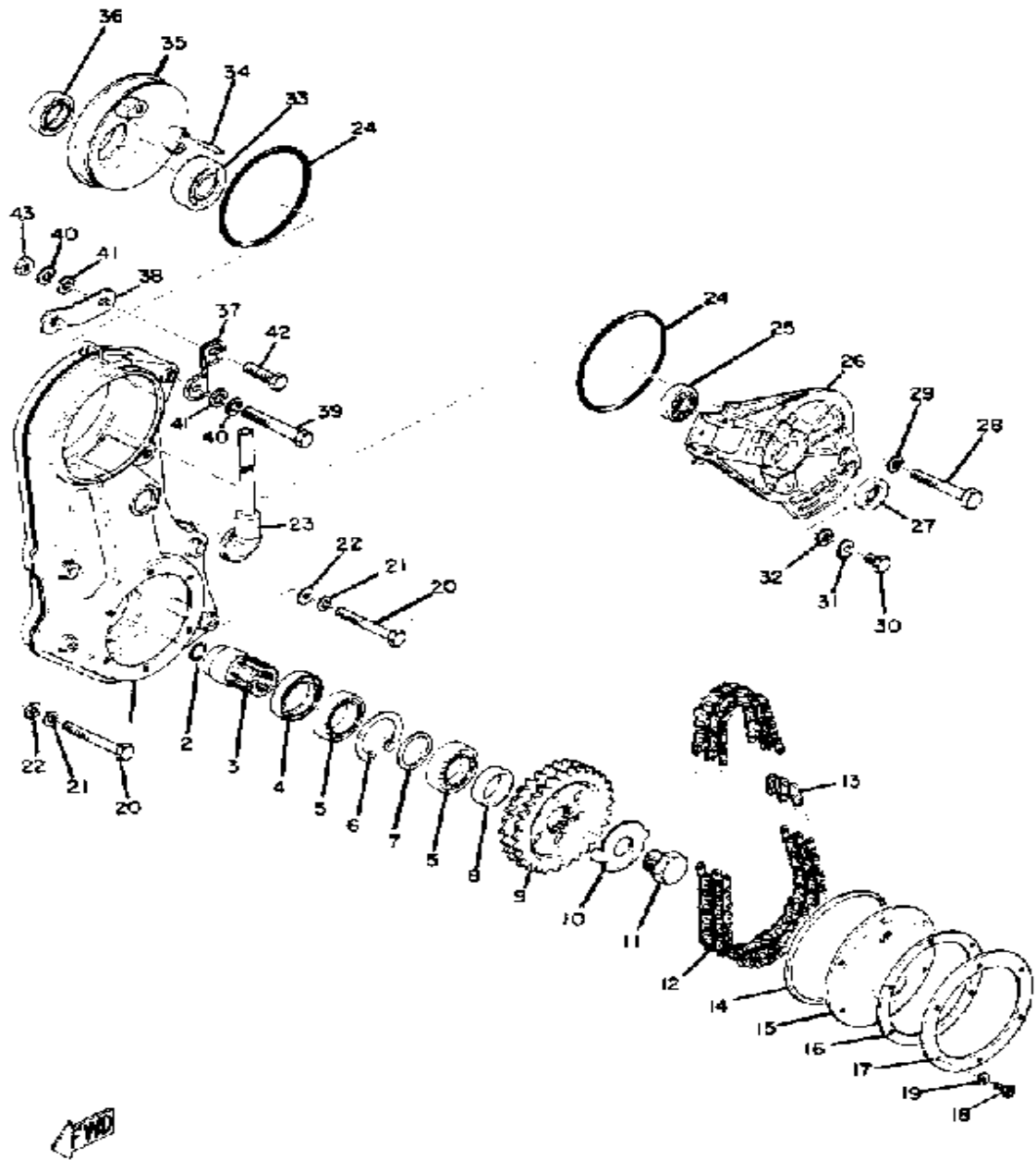
SECONDARY SHEAVE



Ref. No.	Part Number	Description	Qty	Remarks
1	865-17660-00-00	SEC FXD SHVCOMP.	1	
2	(865-17670-00-00)	SEC SLIDING SHEAVE	1	
3	(810-17681-00-00)	SHAFT, SECONDARY	1	
4	90254-08001-00	PIN, SPRING TYPE	1	
5	805-17683-00-00	SPRING, SECONDARY (805-17683-00)	1	
6	810-17684-01-00	SEAT, SEC SPRINGSRING ..	1	
7	801-17688-10-00	SHOE, RAMP	1	
8	90387-19149-00	COLLAR (812-17685-00)	1	
9	(810-17682-50-00)	SPRKT, CHAIN DR 15T	1	U.R.
	802-17682-20-00	SPROCKET, CHAIN DRIVE (11T)	1	U.R.
	802-17682-40-00	SPRKT, CHAIN DR 13TCHAIN DRIVE (13T) (806-17682-30-0) .	1	U.R.
	806-17682-20-00	SPROCKET, CHAIN DRIVE (12T)	1	U.R.
	806-17682-40-00	SPROCKET, CHAIN DRIVE (14T)	1	U.R.
10	90387-17133-00	COLLAR	1	
11	90387-17130-00	COLLAR (818-17686-00)	1	

Property of www.SmallEngineDiscount.com - Not for Resale

TRACK DRIVE

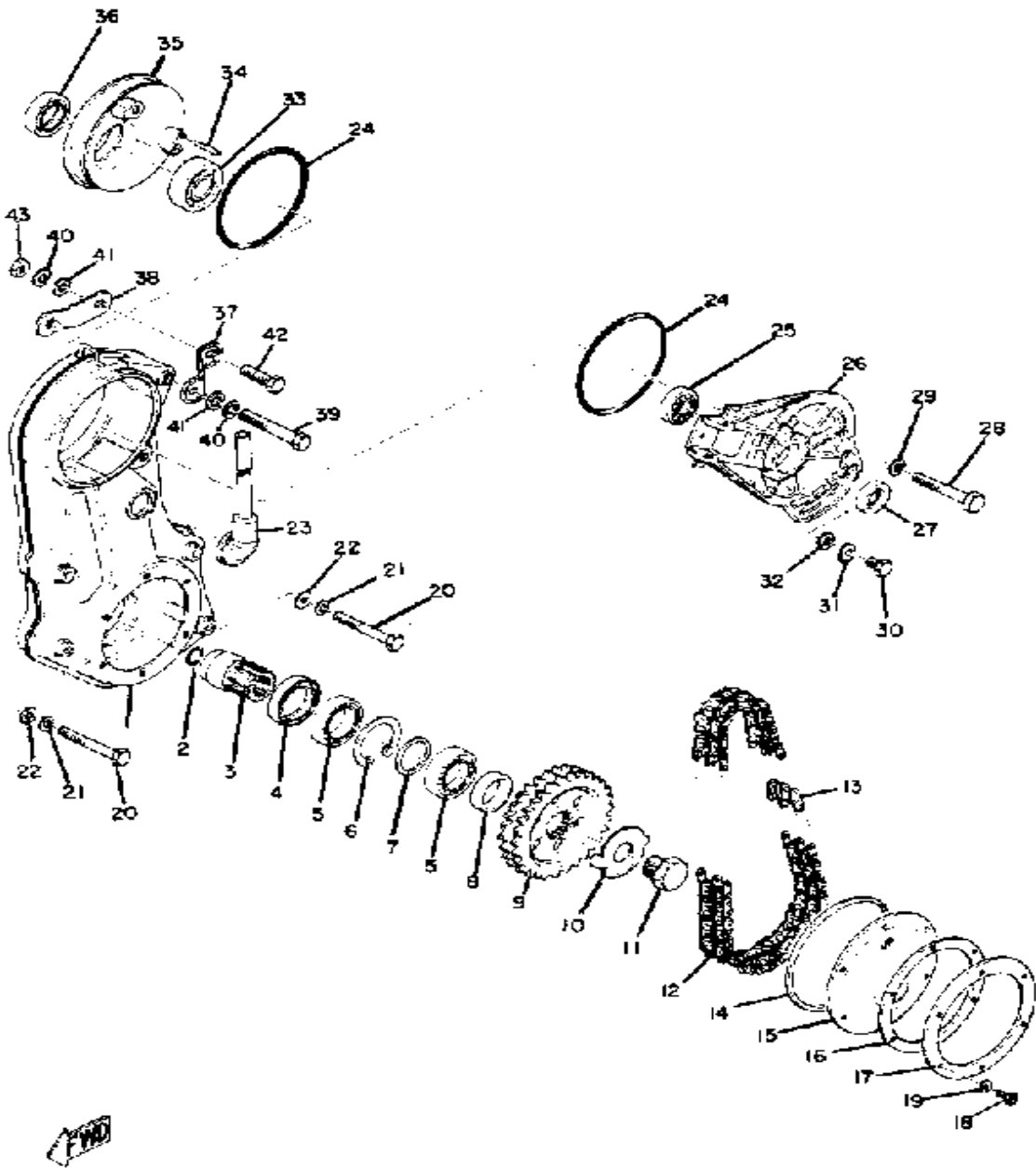


Ref. No.	Part Number	Description	Qty	Remarks
1	(844-47541-00-00)	HOUSING, CHAIN	1	
2	93210-25070-00	O-RING	1	
3	(841-47571-00-00)	JOURNAL 1	1	
4	93102-40080-00	OIL SEAL, SD-TYPE	1	
5	93306-90702-00	BEARING	2	
6	93420-55028-00	CIRCLIP, R-TYPE	1	
7	90560-35050-00	SPACER	1	
8	90387-35206-00	COLLAR	1	
9	(802-47548-40-00)	SPROCKET, CHN DRVN	1	U.R.
	(802-47548-60-00)	SPROCKET, CHN DRVN	1	U.R. STD
	802-47548-50-00	SPROCKET, CHN DRVN	1	U.R.
10	90215-24029-00	WASHER, LOCK	1	
11	90109-24203-00	BOLT	1	
12	94804-25068-00	CHAIN	1	
13	94904-25001-00	. JOINT CHAIN	1	
14	(806-47558-00-00)	RING, HOUSING	1	
15	(821-47543-00-00)	CAP, HOUSING	1	
16	821-47544-00-00	GASKET	1	
17	(821-47591-00-00)	PLATE	1	
18	90143-05004-00	SCREW, HEXAGON	6	
19	90210-05005-00	WASHER, SEAL	6	
20	97021-08070-00	BOLT	4	
21	92990-08100-00	WASHER	4	
22	92990-08200-00	WASHER, PLAIN	4	
23	(861-47559-00-00)	CAP 2	1	
24	93211-13109-00	O-RING	2	
25	93306-20310-00	BEARING	1	
26	845-47561-01-00	HOUSING, SEC SHAFT	1	
27	93102-22087-00	OIL SEAL	1	

CONTINUED ON NEXT FRAME ➤

Property of www.SmallEngineDiscount.com - Not for Resale

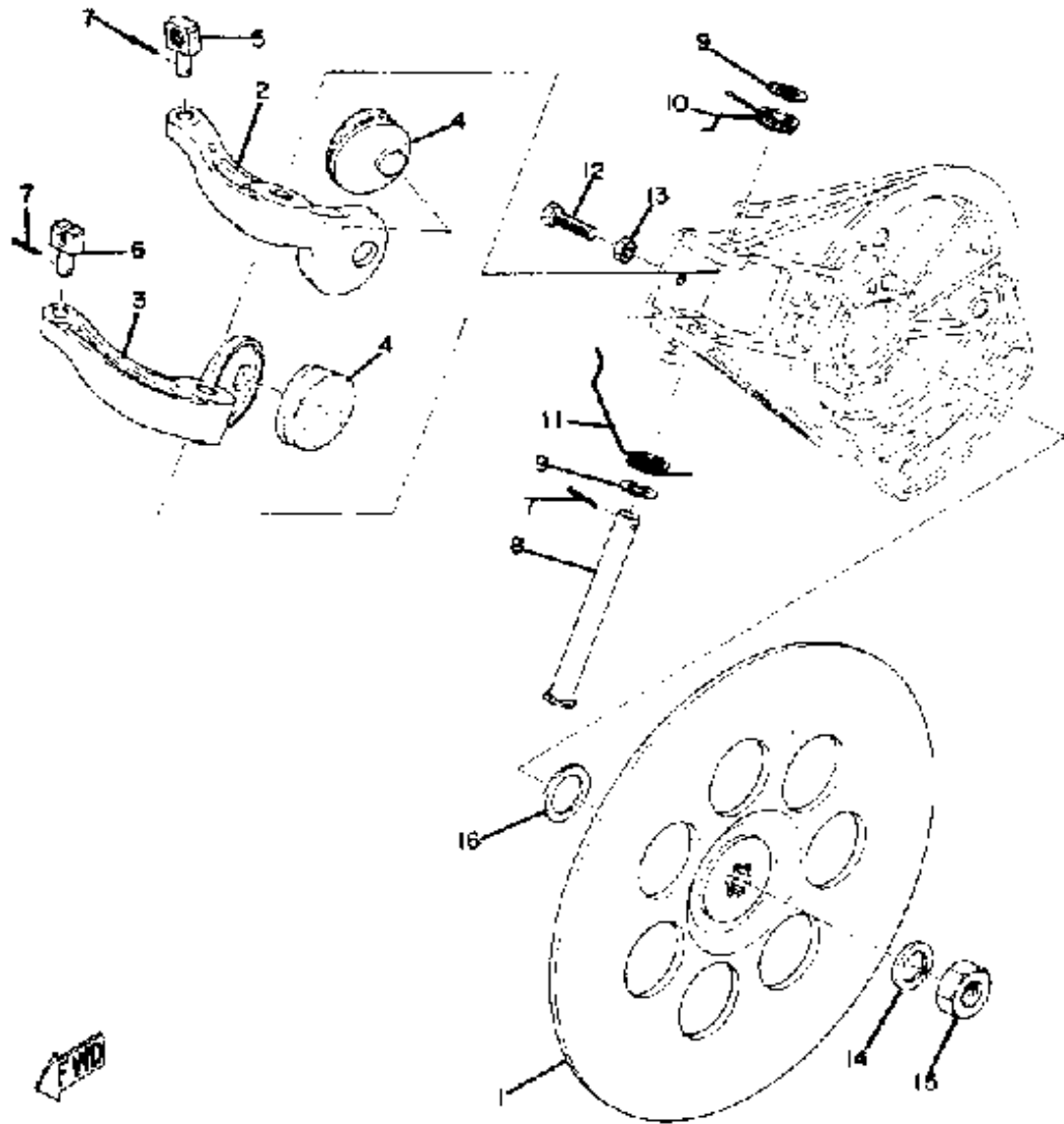
TRACK DRIVE



Ref. No.	Part Number	Description	Qty	Remarks
28	97013-08060-00	BOLT (663)	2	
29	90210-08002-00	WASHER, SEAL	2	
30	97313-08016-00	BOLT, HEXAGON	1	
31	(90215-08027-00)	WASHER, LOCK	1	
32	92990-08200-00	WASHER, PLAIN	1	
33	93306-30407-00	BEARING (B6304C3)	2	
34	93604-18058-00	PIN, DOWEL	2	
35	810-47562-00-00	HOUSING, SEC SHAFT	1	
36	93102-30083-00	SEAL, OIL	1	
37	841-47565-00-00	NO LONGER AVAILABLE	1	
38	841-47565-00-00	NO LONGER AVAILABLE	1	
39	97021-08070-00	BOLT	1	
40	92990-08100-00	WASHER	2	
41	92990-08200-00	WASHER, PLAIN	2	
42	97313-08035-00	BOLT, HEXAGON	1	
43	90170-08031-00	NUT, HEXAGON	1	

Property of www.SmallEngineDiscount.com - Not for Resale

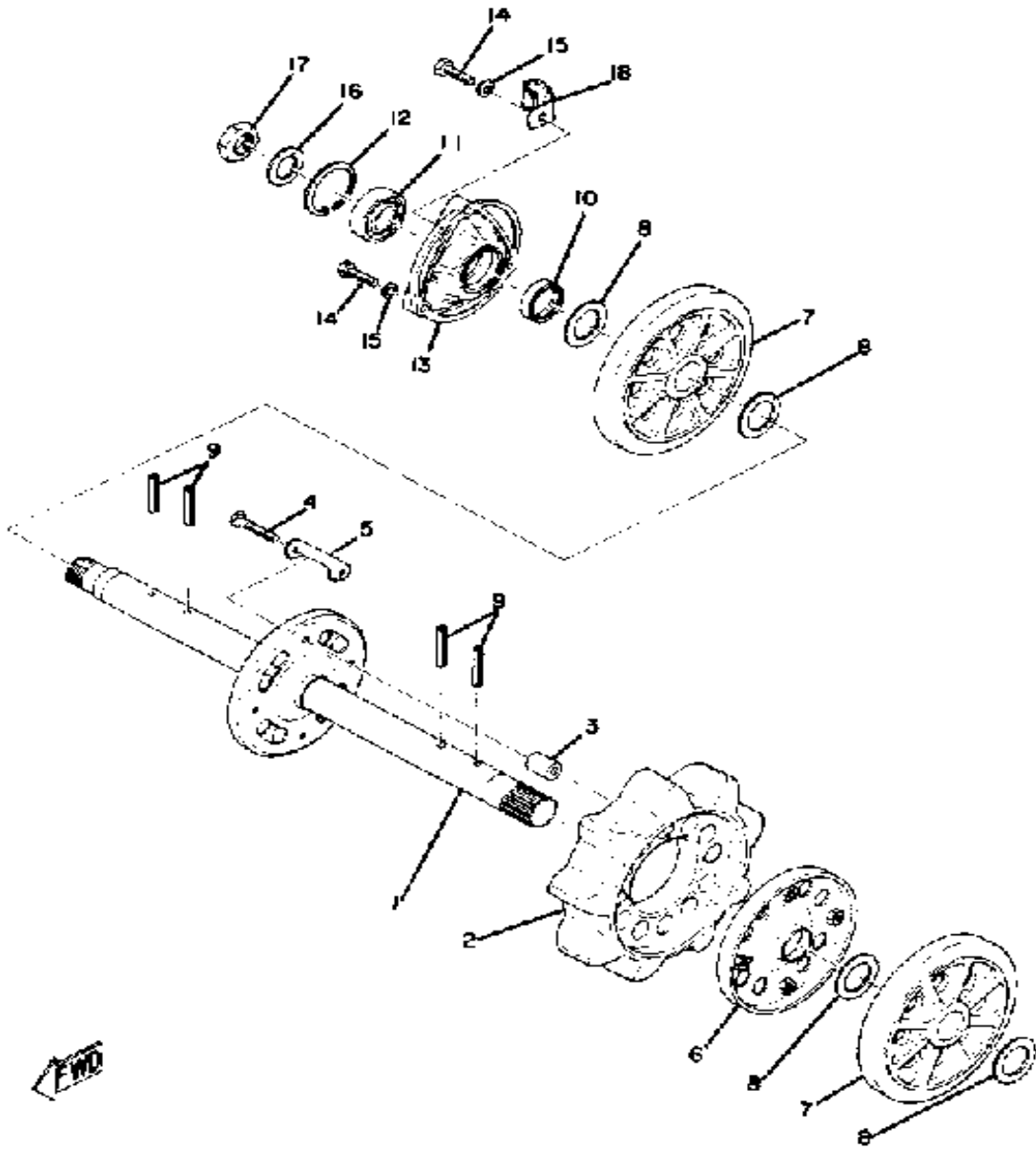
BRAKE



Ref. No.	Part Number	Description	Qty	Remarks
1	845-25711-00-00	DISC, BRAKE	1	
2	838-25740-00-00	PAD, CALIPER (R.H.)	1	
3	838-25731-00-00	BODY, CALIPER 1	1	
4	(826-25732-09-00)	PAD, CALIPER	2	
5	90249-06012-00	PIN	1	
6	90249-06009-00	PIN	1	
7	91490-20020-00	PIN, COTTER	3	
8	90240-08023-00	PIN, CLEVIS	1	
9	92990-08200-00	WASHER, PLAIN	2	
10	(90508-29045-00)	SPRING, TORSION	1	
11	(90508-29045-00)	SPRING, TORSION	1	
12	97001-05018-00	BOLT HEXAGON	1	
13	95311-05700-00	NUT	1	
14	92901-12100-00	WASHER, SPRING	1	
15	95301-12700-00	NUT (95302-12700)	1	
16	(150-17417-00-03)	SHIM 1	1	
	150-17417-00-02	SHIM 1	1	

Property of www.SmallEngineDiscount.com - Not for Resale

FRONT AXLE

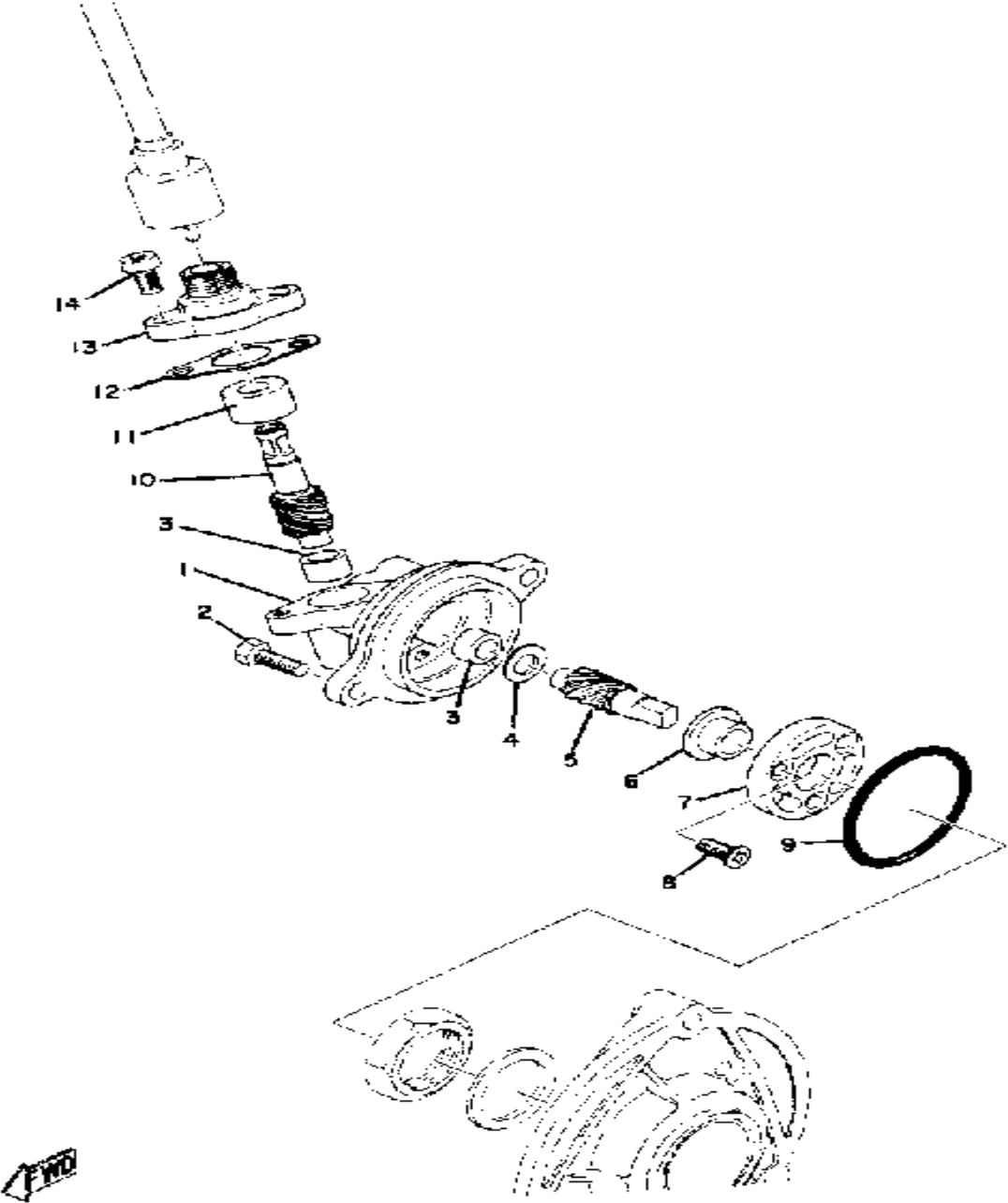


Ref. No.	Part Number	Description	Qty	Remarks
1	865-47510-00-00	FRONT AXLE	1	
2	810-47532-00-00	WHEEL, SPROCKET 2	1	
3	90387-06021-00	COLLAR (810-47526-00)	4	
4	97013-06035-00	BOLT	4	
5	90215-06100-00	WASHER, LOCK	2	
6	(810-47522-00-00)	RIM, SPROCKET WHL 2	1	
7	810-47530-00-00	GUIDE WHEEL	2	
8	90201-25499-00	WASHER, PLATE	2	
9	91609-60036-00	PIN, SPRING	4	
10	93102-25084-00	OIL SEAL, SD-TYPE	1	
11	93306-00412-00	BEARING	1	
12	93420-44029-00	CIRCLIP, R-TYPE	1	
13	841-47551-00-00	HOUSING, FRONT AXLE	1	
14	97013-08025-00	BOLT	3	
15	92990-08100-00	WASHER	3	
16	90208-22001-00	WASHER, CONICAL SPRING ..	1	
17	90170-22094-00	NUT	1	
18	90465-06100-00	CLAMP	1	

Property of www.SmallEngineDiscount.com - Not for Resale

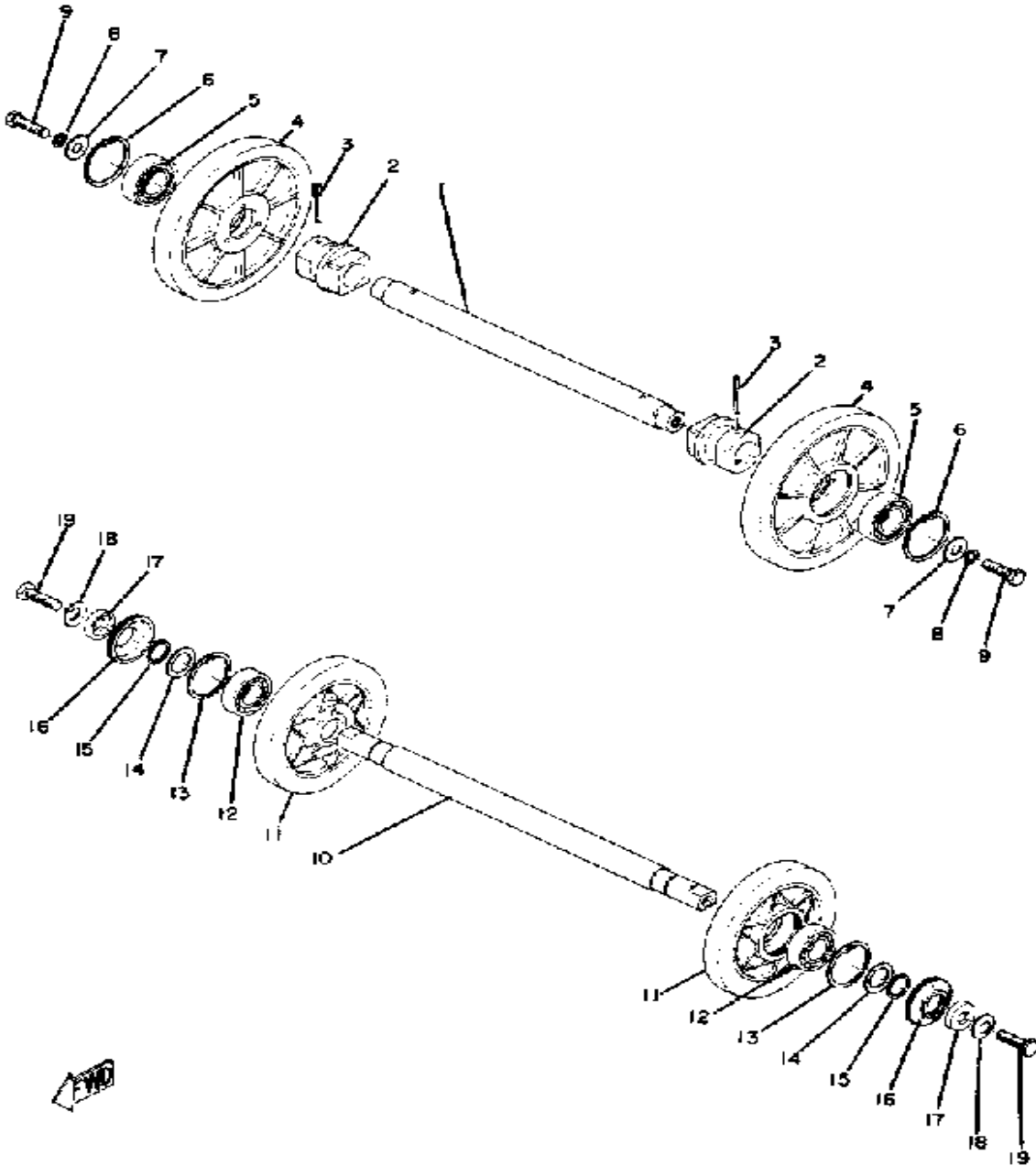
SPEEDOMETER GEAR UNIT

Ref. No.	Part Number	Description	Qty	Remarks
1	8E6-47711-10-00	HOUSING	1	
2	97313-06016-00	BOLT, HEXAGON	2	
3	(90380-08002-00)	BUSH, SOLID	2	
4	810-47717-10-00	SHIM	1	
5	810-47731-11-00	GEAR, DRIVE	1	
6	90381-10003-00	BUSH, SOLID	1	
7	853-47712-10-00	JOURNAL	1	
8	98701-04012-00	SCREW, FLAT HEAD	3	
9	93210-43141-00	O-RING	1	
10	810-47741-11-00	GEAR, DRIVEN (810-47741-10)	1	
11	90380-08005-00	BUSH, SOLID	1	
12	810-47727-10-00	GASKET	1	
13	8E3-47721-10-00	COVER, HOUSING	1	
14	98580-05012-00	SCREW, PAN HEAD	2	



Property of www.SmallEngineDiscount.com - Not for Resale

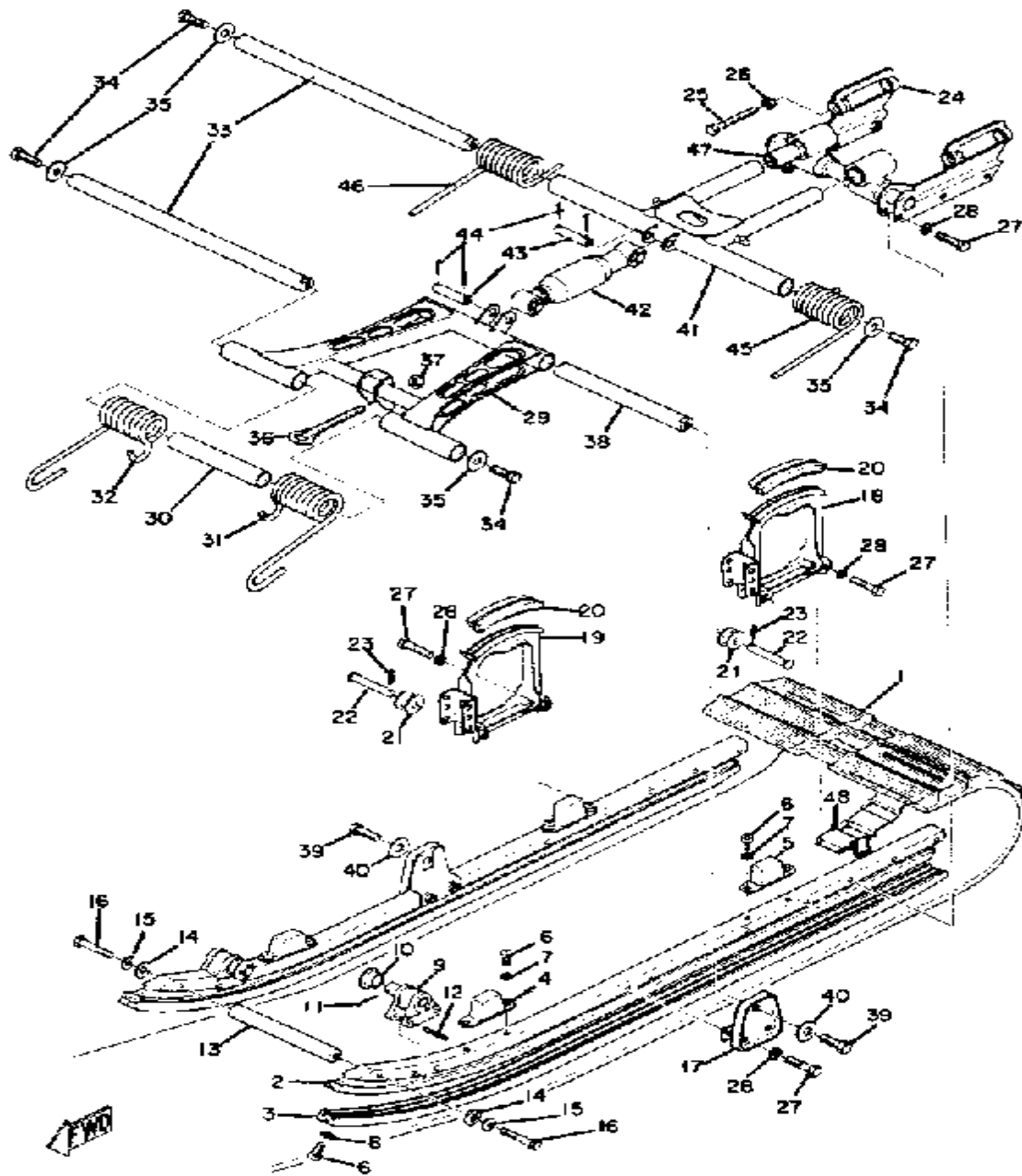
REAR AXLE - WHEEL



Ref. No.	Part Number	Description	Qty	Remarks
1	(865-47521-01-00)	AXLE, REAR	1	
2	(865-47479-03-00)	COLLAR 3	2	
3	91609-40040-00	PIN, SPRING	2	
4	(865-47535-00-00)	WHEEL, GUIDE 2	2	
5	93306-20417-00	BEARING (B62042RS)	2	
6	99009-47500-00	CIRCLIP	2	
7	90201-08772-00	WASHER, PLATE	2	
8	92990-08100-00	WASHER	2	
9	97313-08030-00	BOLT, HEXAGON	2	
10	(865-47485-00-00)	SHAFT 3	1	
11	885-47320-01-00	SUSPENSION WHEEL COMP.	2	
12	93306-00441-00	BEARING (89A) (B6004RS)	2	
13	99009-42500-00	CIRCLIP	2	
14	90201-20272-00	WASHER, PLATE	2	
15	99009-20400-00	CIRCLIP	2	
16	(829-47317-00-00)	CAP, WHEEL	2	
17	(865-47341-00-00)	SPACER	2	
18	(829-16119-00-00)	SPRING, BELLEVILLE	2	
19	(90101-08024-00)	BOLT	2	

Property of www.SmallEngineDiscount.com - Not for Resale

TRACK SUSPENSION

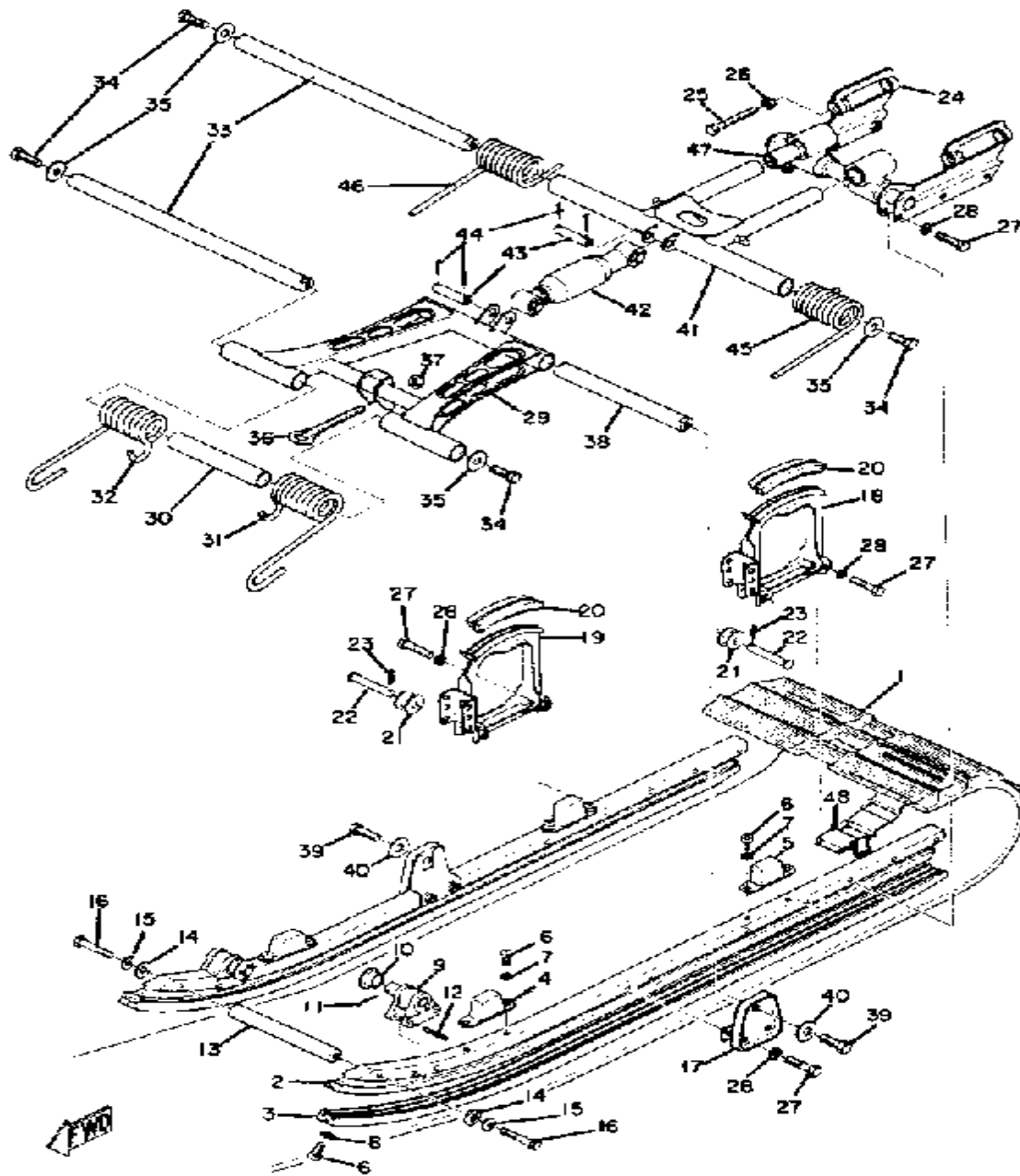


Ref. No.	Part Number	Description	Qty	Remarks
1	(865-47535-01-00)	WHEEL, GUIDE 2	2	
	865-47110-00-00	TRACK ASSEMBLY	1	
2	(865-47411-00-00)	FRAME, SLIDING 1	2	
	885-47320-01-00	. SUSPENSION WHEEL COMP.	2	
3	(865-47451-00-00)	BAR, SUSPENSION	1	
	865-47421-00-00	RUNNER, SLIDING 1	2	
4	(865-47456-01-00)	DAMPER 1	2	
	(865-47466-00-00)	SPACER	2	
5	(865-47417-00-00)	BRACKET 3	1	
	(865-47457-01-00)	DAMPER 2	2	
6	97311-10040-00	. BOLT, HEXAGON	2	
	98503-06014-00	SCREW, PAN HEAD (92502-06016)	10	
7	92995-06100-00	WASHER, SPRING	8	
	97313-08050-00	. BOLT, HEXAGON (90101-08125)	4	
8	90201-06057-00	WASHER, PLATE	2	
	97313-08030-00	. BOLT, HEXAGON	4	
9	(865-47446-00-00)	HOOK 1	2	
	90201-08772-00	. WASHER, PLATE	4	
10	865-47429-00-00	ROLLER	2	
	92990-08100-00	. WASHER	4	
11	91401-30030-00	PIN, COTTER	2	
12	91609-60036-00	PIN, SPRING	4	
13	865-47465-00-00	SHAFT 1	1	
14	90201-085E6-00	WASHER PLATE	2	
15	(829-16119-00-00)	SPRING, BELLEVILLE	2	
16	97313-08050-00	BOLT, HEXAGON (90101-08125)	2	
17	865-47415-01-00	BRACKET 1	2	

CONTINUED ON NEXT FRAME ►

Property of www.SmallEngineDiscount.com - Not for Resale

TRACK SUSPENSION

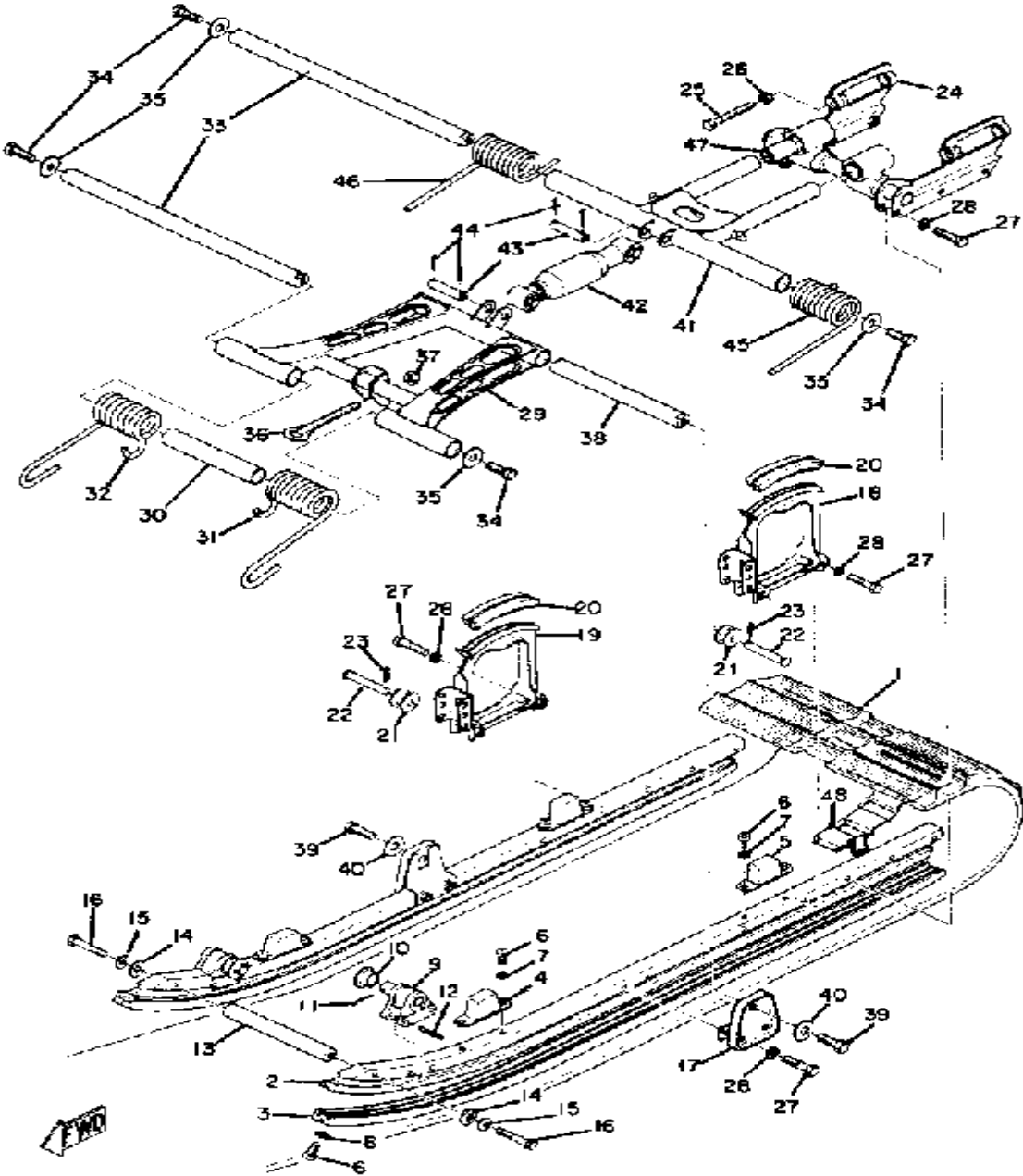


Ref. No.	Part Number	Description	Qty	Remarks
18	865-47495-00-00	STOPPER 1	1	
19	865-47496-00-00	STOPPER 2	1	
20	865-47422-00-00	RUNNER, SLIDING 2	2	
21	(865-47439-00-00)	ROLLER 2	2	
22	90240-10028-00	PIN, CLEVIS	2	
23	90468-18019-00	CLIP	2	
24	(865-47426-00-00)	BRACKET, REAR 1	1	
25	90101-10200-00	BOLT	2	
26	90185-10031-00	NUT, SELF-LOCKING	2	
27	97313-08040-00	BOLT, HEXAGON (97322-08040)	14	
28	92990-08100-00	WASHER	14	
29	(865-47331-01-00)	ARM, PIVOT 1	1	
30	90440-25001-00	TUBE, STRUCTURE	1	
31	90508-73149-00	SPRING, TORSION	1	
32	90508-73150-00	SPRING, TORSION	1	
33	(865-47337-00-00)	SHAFT, PIVOT	2	
34	97011-10025-00	BOLT	4	
35	90208-10012-00	WASHER, CONICAL SPRING	4	
36	865-47447-00-00	HOOK 2	1	
37	90185-10031-00	NUT, SELF-LOCKING	1	
38	865-47475-00-00	SHAFT 2	1	
39	97013-10030-00	BOLT (8J7) (97303-10030)	2	
40	90208-10012-00	WASHER, CONICAL SPRING	2	
41	865-47332-01-00	ARM, PIVOT 2 (865-47332-00)	1	
42	(865-47480-00-00)	SHOCK ABSORBER	1	
43	(865-47449-00-00)	PIN 1	2	
44	91401-30030-00	PIN, COTTER	4	
45	90508-75151-00	SPRING, TORSION	1	
46	(90508-75152-00)	SPRING, TORSION	1	

CONTINUED ON NEXT FRAME ➤

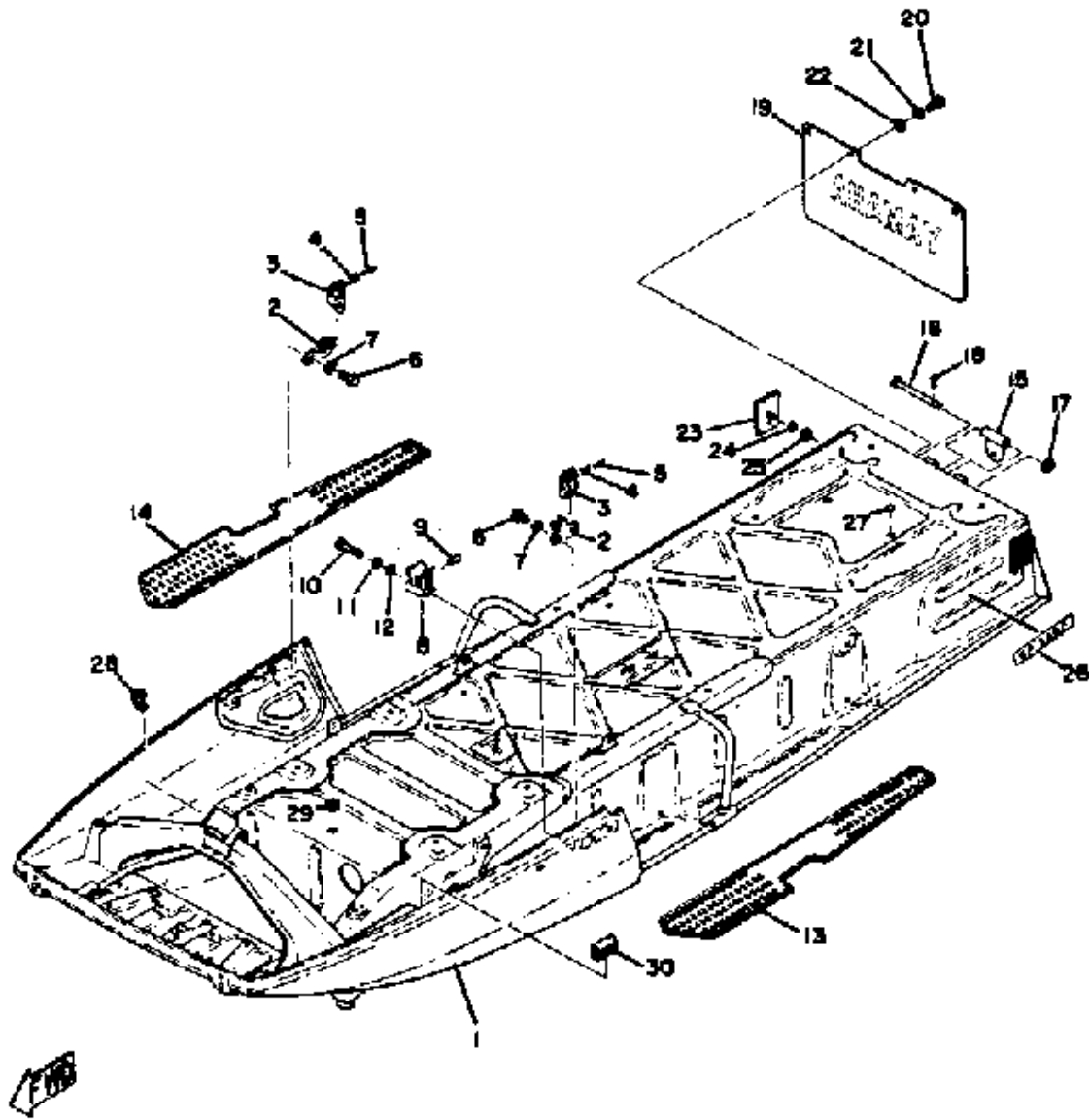
Property of www.SmallEngineDiscount.com - Not for Resale

TRACK SUSPENSION



Ref. No.	Part Number	Description	Qty	Remarks
47	(90386-22033-00)	BUSH, SPEC'L NYLON	2	
48	(8G5-47000-00-00)	IDLER WHEEL KIT	1	
	865-47115-09-00	METAL, SLIDE	1	S7-001

Property of www.SmallEngineDiscount.com - Not for Resale



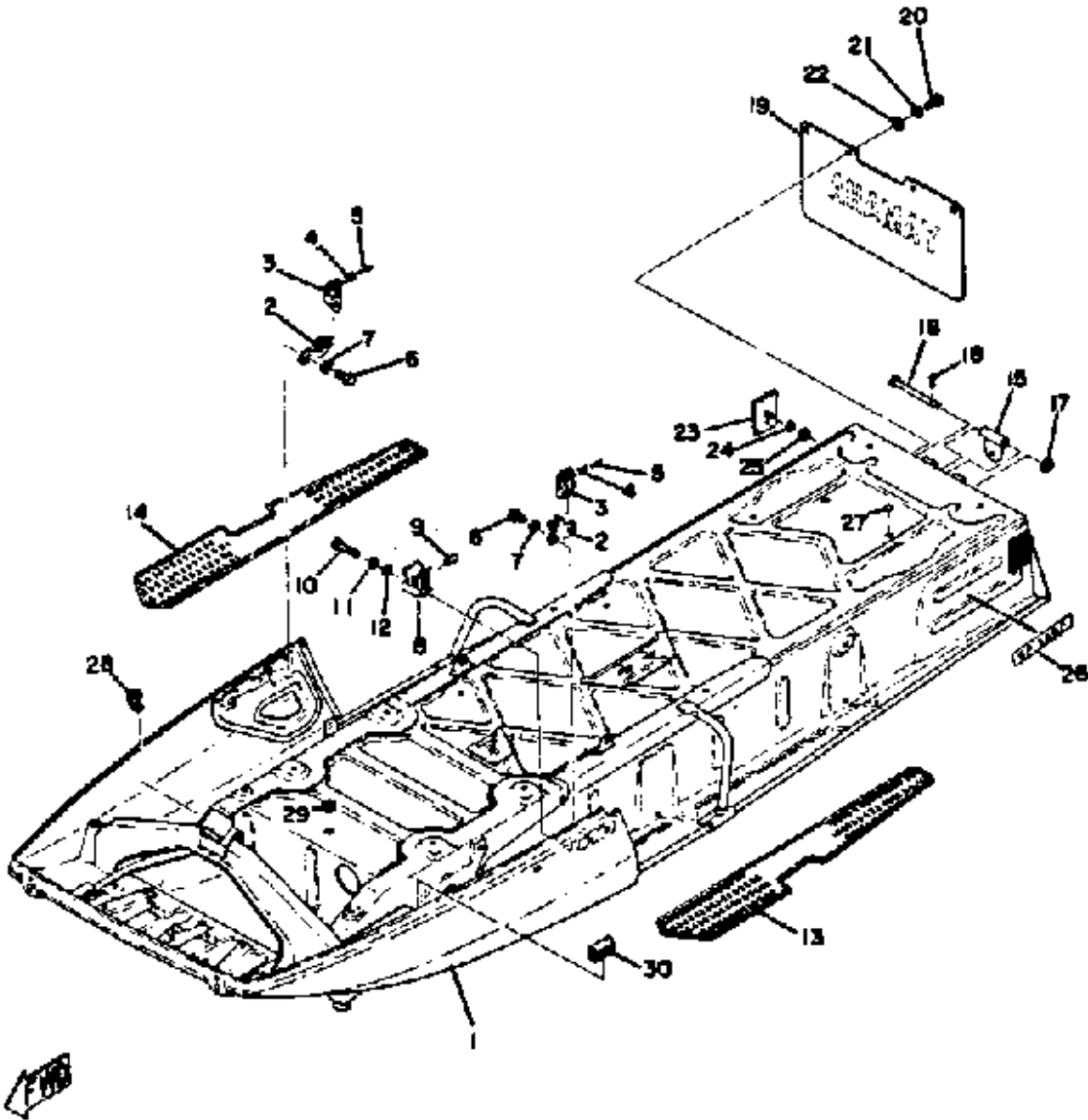
FRAME

Ref. No.	Part Number	Description	Qty	Remarks
1	(865-21910-00-00)	FRAME	1	
2	(806-77172-00-00)	BODY, LATCH 2	2	N/A
3	806-77173-00-00	. LEVER, LATCH 1	2	
4	90508-10012-00	. SPRING, TORSION	2	
5	90249-04068-00	. PIN, SPECL SHAPE	2	
6	97313-05016-00	BOLT, HEXAGON	4	
7	92990-05100-00	WASHER, SPRING	2	
8	90464-09006-00	CLAMP	2	
9	821-77188-01-00	STOPPER	2	
10	97026-06045-00	BOLT	2	
11	92906-06100-00	WASHER, SPRING	2	
12	92906-06200-00	WASHER	2	
13	878-27413-00-00	COVER, FOOTREST	1	
14	878-27423-00-00	COVER, FOOTREST	1	
15	802-77591-00-00	BRACKET, HITCH 1	1	
16	(91701-08102-00)	PIN, CLEVIS	1	
17	92990-08200-00	WASHER, PLAIN	1	
18	91401-25020-00	PIN, COTTER	1	
19	865-77595-00-00	FLAP	1	
20	98580-06018-00	SCREW, PAN HEAD	2	
21	92995-06100-00	WASHER, SPRING	2	
22	90201-06697-00	WASHER, PLATE	2	
23	(821-85131-00-00)	REFLECTOR, REAR 1	2	
24	92990-06200-00	WASHER	2	
25	90185-06040-00	NUT, SELF-LOCKING	2	
26	(865-77354-00-00)	EMBLEM 4	2	
27	(867-21969-00-00)	COVER, NUT	2	
28	(841-82591-00-00)	BAND	1	
29	810-77716-00-00	ORNAMENT, INSTRUMENT PANEL 2	1	

CONTINUED ON NEXT FRAME ➤

Property of www.SmallEngineDiscount.com - Not for Resale

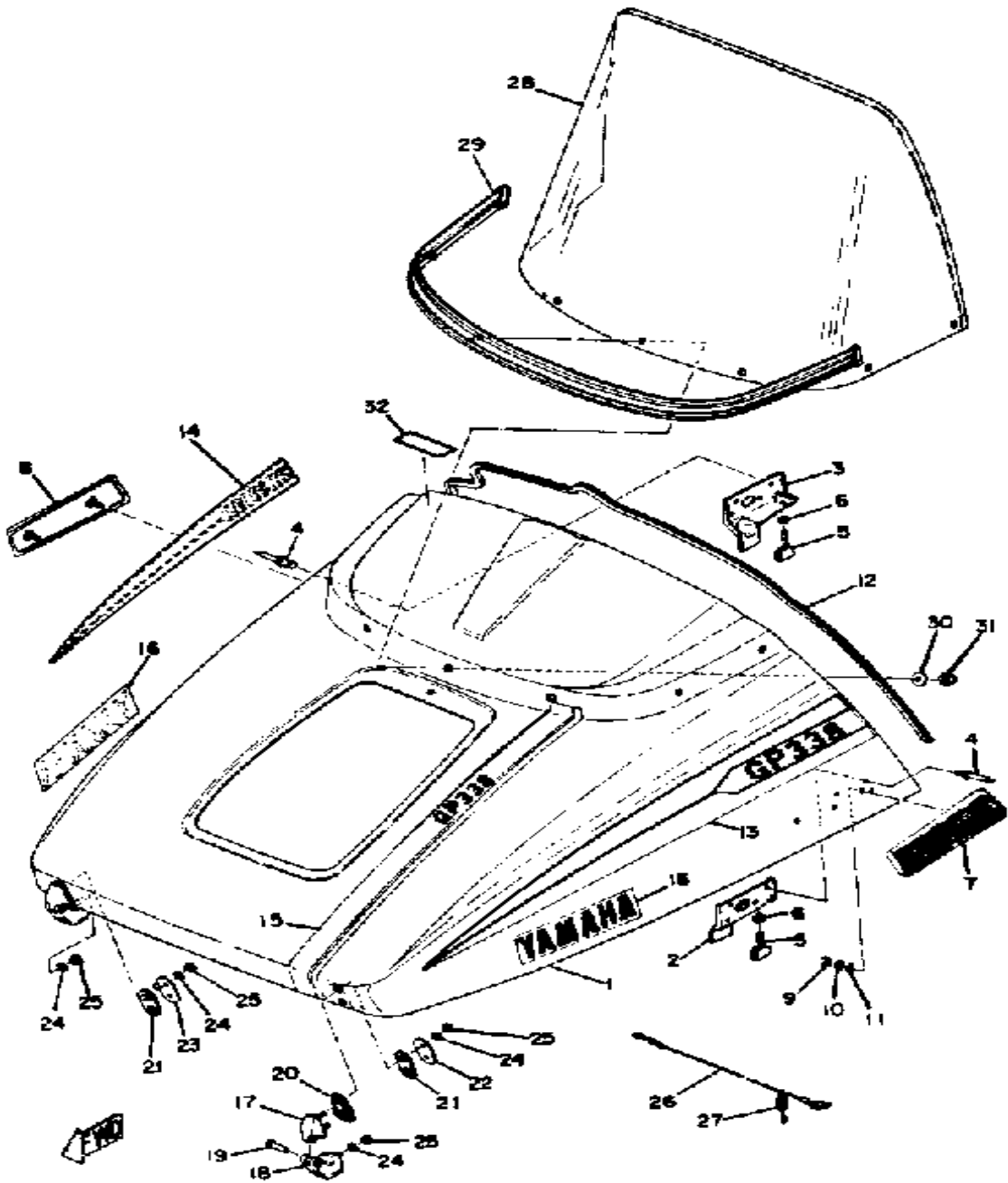
FRAME



Ref. No.	Part Number	Description	Qty	Remarks
30	(839-77161-00-00)	STRIP, WEATHER 1	4	
-1	806-77170-00-00	LATCH ASSEMBLY	2	

Property of www.SmallEngineDiscount.com - Not for Resale

SHROUD



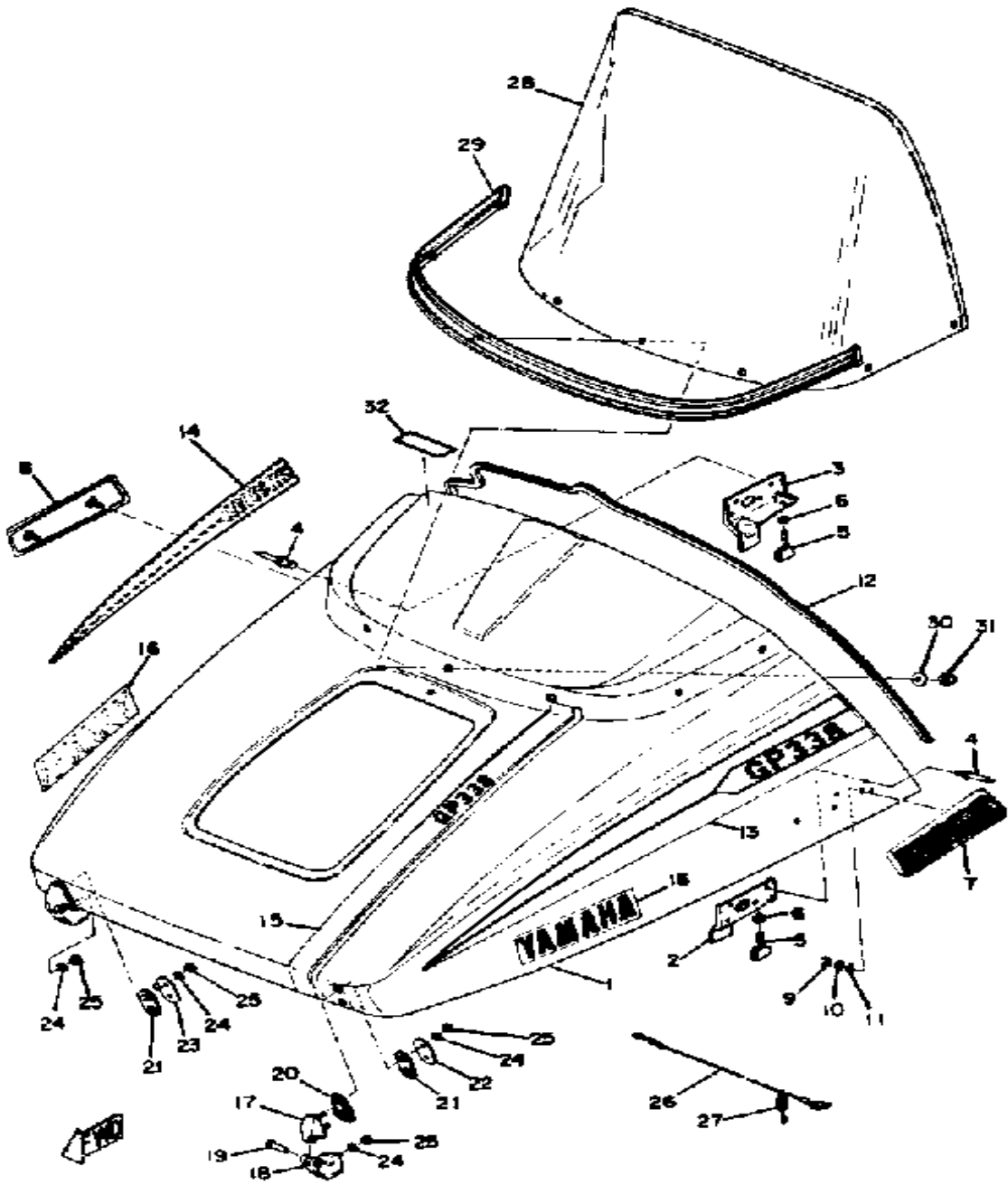
Ref. No.	Part Number	Description	Qty	Remarks
1	(865-77110-00-00)	SHROUD ASSEMBLY	1	
2	(841-77136-00-00)	CLAMP 2	1	
3	(841-77138-00-00)	CLAMP 4	1	
4	90267-40M00-00	RIVET, BLIND	8	
5	(841-77171-01-00)	BODY, LATCH 1	2	
6	95380-06600-00	NUT	2	
7	(838-77131-00-00)	LOUVER 1	1	
8	838-77132-00-00	LOUVER 2	1	
9	95380-05600-00	NUT	4	
10	92990-05100-00	WASHER, SPRING	4	
11	92990-05100-00	WASHER, SPRING	4	
12	(841-77166-00-00)	TRIM 2	1	
13	(859-77163-00-00)	ORNAMENT 1	1	
14	(859-77164-00-00)	ORNAMENT 2	1	
15	(865-77169-00-00)	ORNAMENT 3	1	
16	(863-77357-00-00)	EMBLEM 7	2	
17	(841-77140-00-00)	HINGEASSEMBLY	2	
18	(841-77147-00-00)	HINGE 3	2	
19	90243-05003-00	PIN	2	
20	(841-77198-00-00)	DAMPER 1	2	
21	841-77199-00-00	DAMPER 2	2	
22	(841-77153-00-00)	PLATE, BACK UP 1	1	
23	(841-77154-00-00)	PLATE, BACK UP 2	1	
24	92995-06100-00	WASHER, SPRING	6	
25	95380-06600-00	NUT	6	
26	8E4-77118-00-00	STOPPER, SHROUD	1	
27	838-77159-00-00	CLAMP, ROD	1	
28	8A1-77210-00-00	WINDSHIELD	1	
29	(8A1-77220-00-00)	TRIM LOWER ASSEMBLY	1	

CONTINUED ON NEXT FRAME ➤

Property of www.SmallEngineDiscount.com - Not for Resale

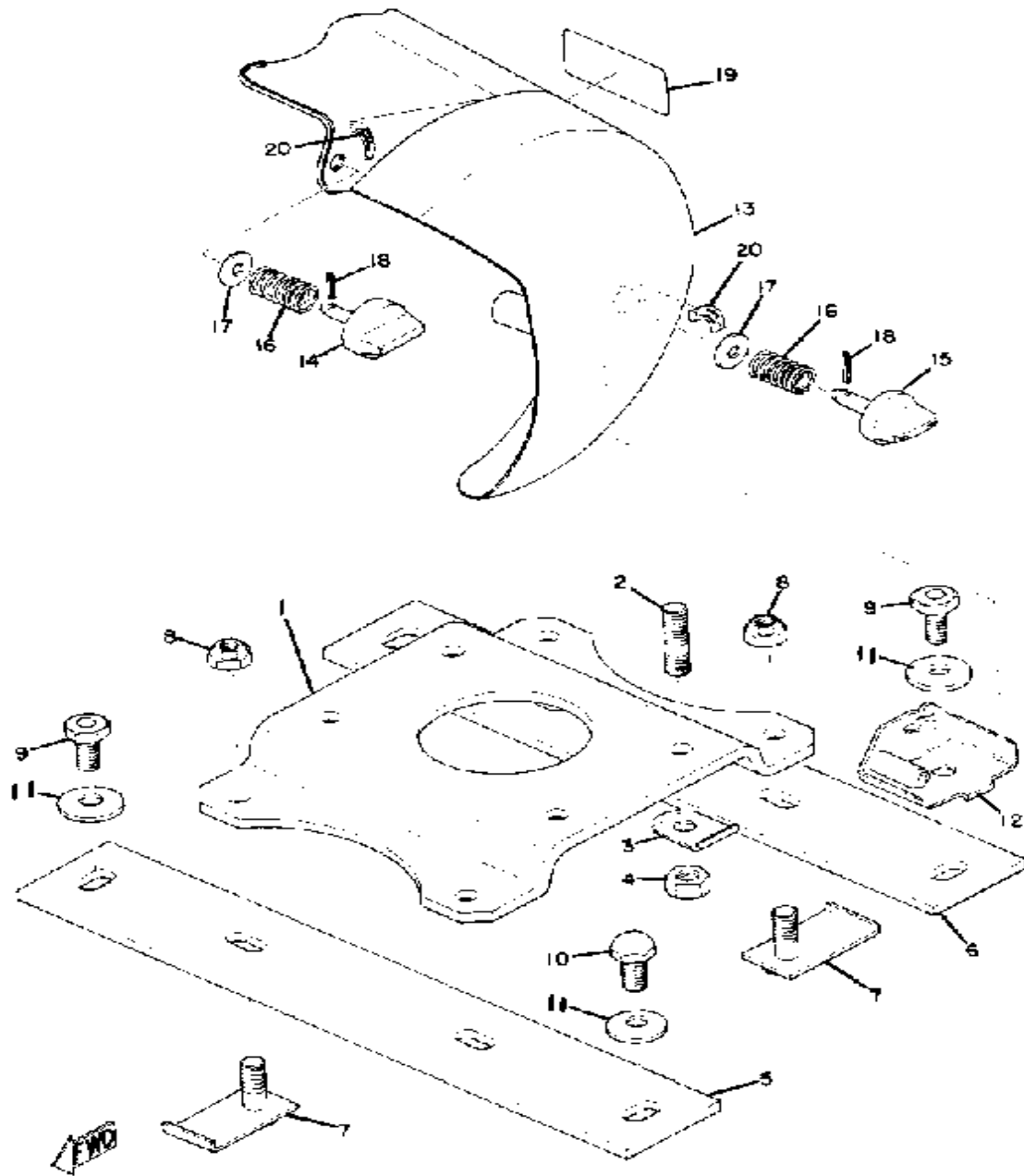
SHROUD

Ref. No.	Part Number	Description	Qty	Remarks
30	90201-05036-00	WASHER, PLATE	7	
31	90185-05028-00	NUT, SELF-LOCKING	7	
32	288-21659-00-00	LABEL, SAFETY	1	



Property of www.SmallEngineDiscount.com - Not for Resale

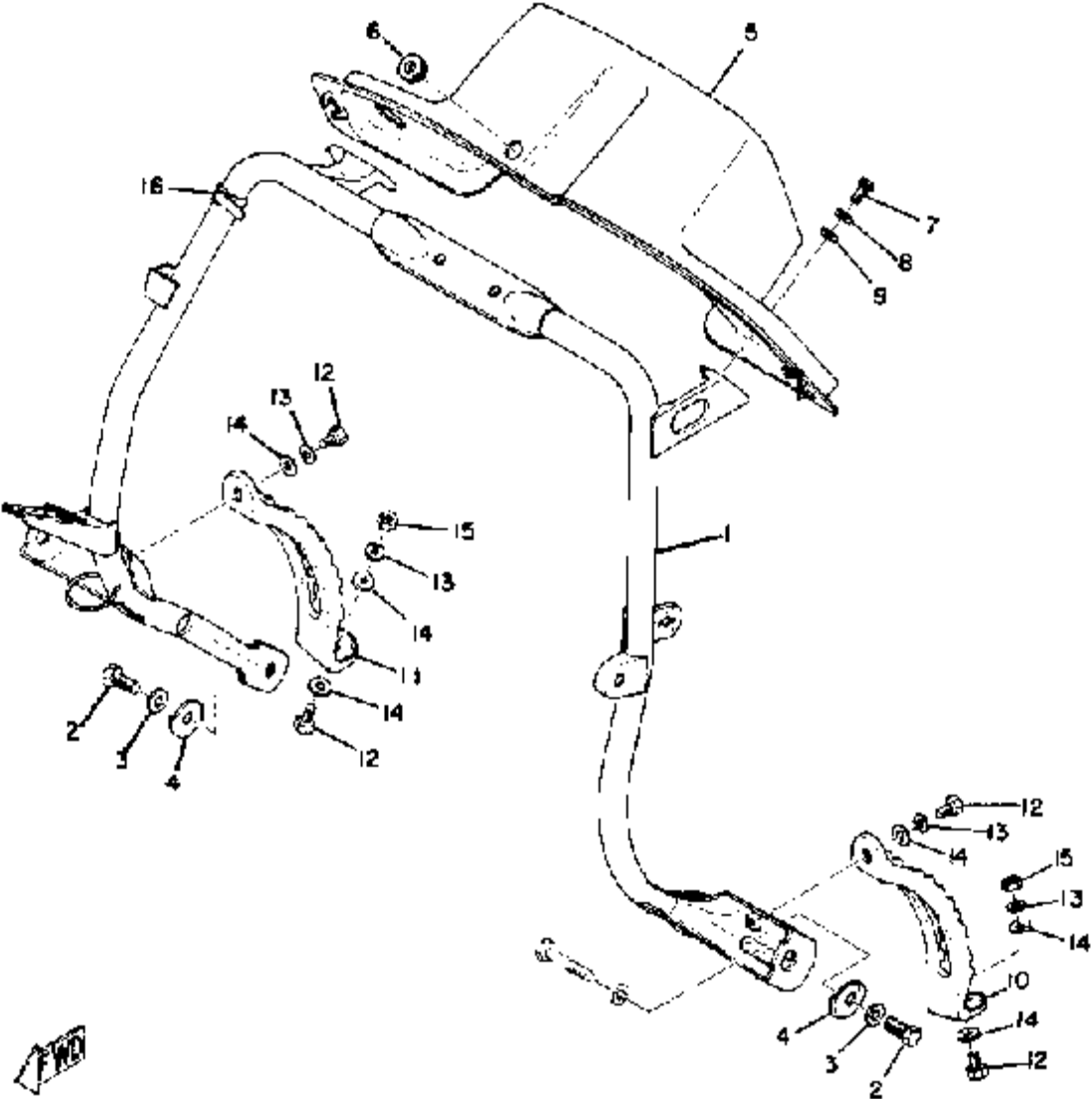
ENGINE BRACKET



Ref. No.	Part Number	Description	Qty	Remarks
1	(838-21411-01-00)	BRACKET, ENGINE 1	1	
2	(90116-10084-00)	BOLT, STUD	4	
3	(90215-10076-00)	WASHER, LOCK	4	
4	90185-10031-00	NUT, SELF-LOCKING	4	
5	(841-21419-00-00)	BRACKET, ENGINE 2	1	
6	(829-21419-00-00)	BRACKET, ENGINE 2	1	
7	(829-21482-00-00)	BOLT, ENG MNTNG 2	4	
8	90185-10030-00	NUT, SELF-LOCKING	4	
9	(90101-10057-00)	BOLT	3	
10	(90106-10015-00)	BOLT, DOME HEAD	1	
11	90208-10013-00	WASHER, CONICAL SPR	4	
12	844-77315-00-00	BRACKET 1	1	
13	(844-77311-00-00)	GUARD, DRIVE	1	
14	(829-77324-00-00)	KNOB	1	
15	844-77324-00-00	KNOB	1	
16	90501-16103-00	SPRING, COMPRESSION	2	
17	90201-08104-00	WASHER, PLATE	2	
18	91609-40018-00	PIN, SPRING	2	
19	(829-77365-00-00)	EMBLEM 0	1	
20	(829-77367-00-00)	EMBLEM 2	2	

Property of www.SmallEngineDiscount.com - Not for Resale

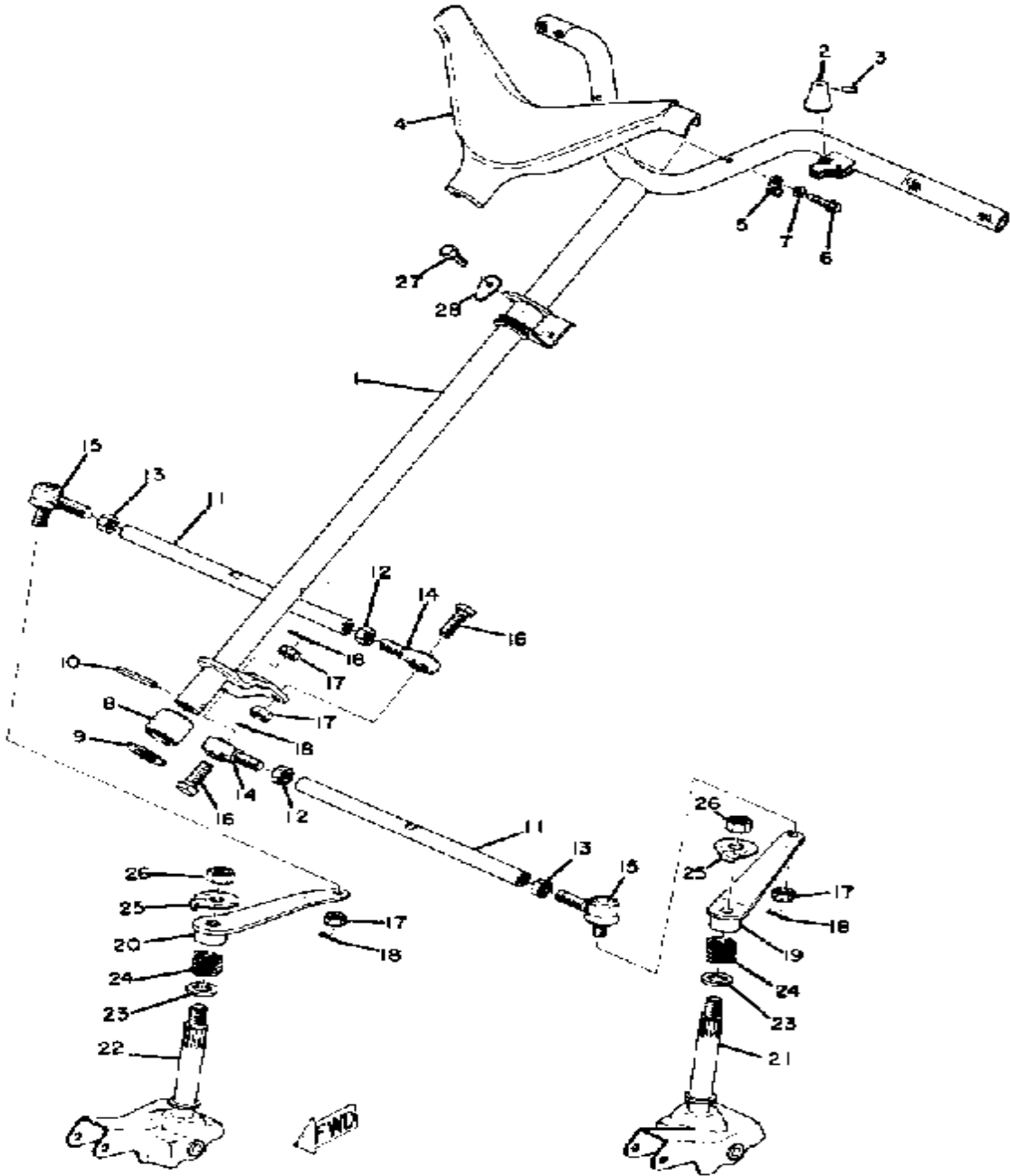
STEERING GATE



Ref. No.	Part Number	Description	Qty	Remarks
1	(861-23870-00-00)	STEERING GATE	1	
2	97026-08018-00	BOLT	2	
3	90201-08624-00	WASHER, PLATE	2	
4	(861-23895-00-00)	WASHER, LOCK 2	2	
5	(865-77711-00-00)	PANEL, INSTRUMENT	1	
6	90480-13018-00	GROMMET	1	
7	(97306-05012-00)	BOLT, HEXAGON	1	
8	92906-05100-00	WASHER, SPRING	1	
9	92906-05200-00	WASHER, PLAIN	1	
10	(841-27411-00-00)	FOOTREST 1	1	
11	(841-27421-00-00)	FOOTREST 2	1	
12	97313-06016-00	BOLT, HEXAGON	4	
13	92995-06100-00	WASHER, SPRING	4	
14	92990-06200-00	WASHER	6	
15	95380-06600-00	NUT	2	
16	437-83936-11-00	BAND, SWITCH CORD	2	

Property of www.SmallEngineDiscount.com - Not for Resale

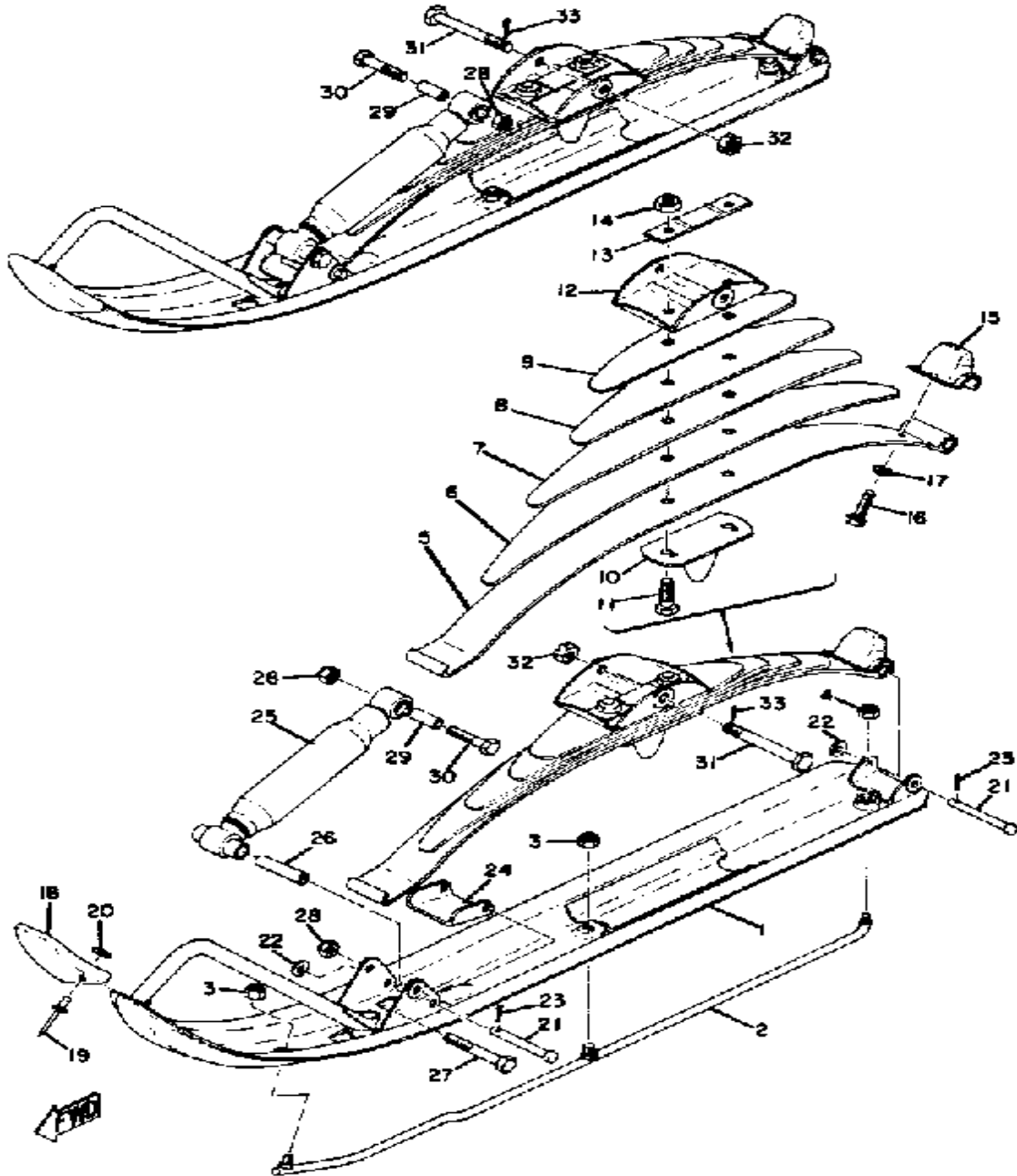
STEERING



Ref. No.	Part Number	Description	Qty	Remarks
1	(861-23810-01-00)	STRG COLUMN ASSEMBLY ..	1	
2	(803-83965-00-00)	LEVER, LOCK	1	
3	(90249-04022-00)	PIN, SPEC'L SHAPE	1	
4	(863-23815-01-00)	PAD, STEERING	1	
5	(90462-08003-00)	CLAMP	2	
6	98501-05035-00	SCREW, PAN HEAD	2	
7	92990-05100-00	WASHER, SPRING	2	
8	(806-23875-00-00)	BEARING, STRG LOWER	1	
9	(841-23812-01-00)	BEARING, STEERING	1	
10	91609-60045-00	PIN, SPRING	1	
11	(861-23821-00-00)	ROD, STEERING RELAY	2	
12	90170-12055-00	NUT	2	
13	90170-12054-00	NUT	2	
14	861-23841-00-00	JOINT, UNIVERSAL 1	2	
15	(821-23845-90-00)	JOINT, UNIVERSAL 2	2	
16	(90109-10170-00)	BOLT	2	
17	95306-10900-00	NUT, SLOTTED	4	
18	91401-25030-00	PIN, COTTER	4	
19	861-23851-01-00	ARM, OUTSIDE 1	1	
20	861-23852-01-00	ARM, OUTSIDE 2	1	
21	865-23853-00-00	COLUMN, SKI 1	1	
22	865-23854-00-00	COLUMN, SKI 2	1	
23	90560-20037-00	SPACER	2	
24	90501-35154-00	SPRING, COMPRESSION	2	
25	90215-12031-00	WASHER, LOCK (810-23857-00)	2	
26	95303-12600-00	NUT	2	
27	97011-06020-00	BOLT	2	
28	(90215-06038-00)	WASHER, LOCK	2	

Property of www.SmallEngineDiscount.com - Not for Resale

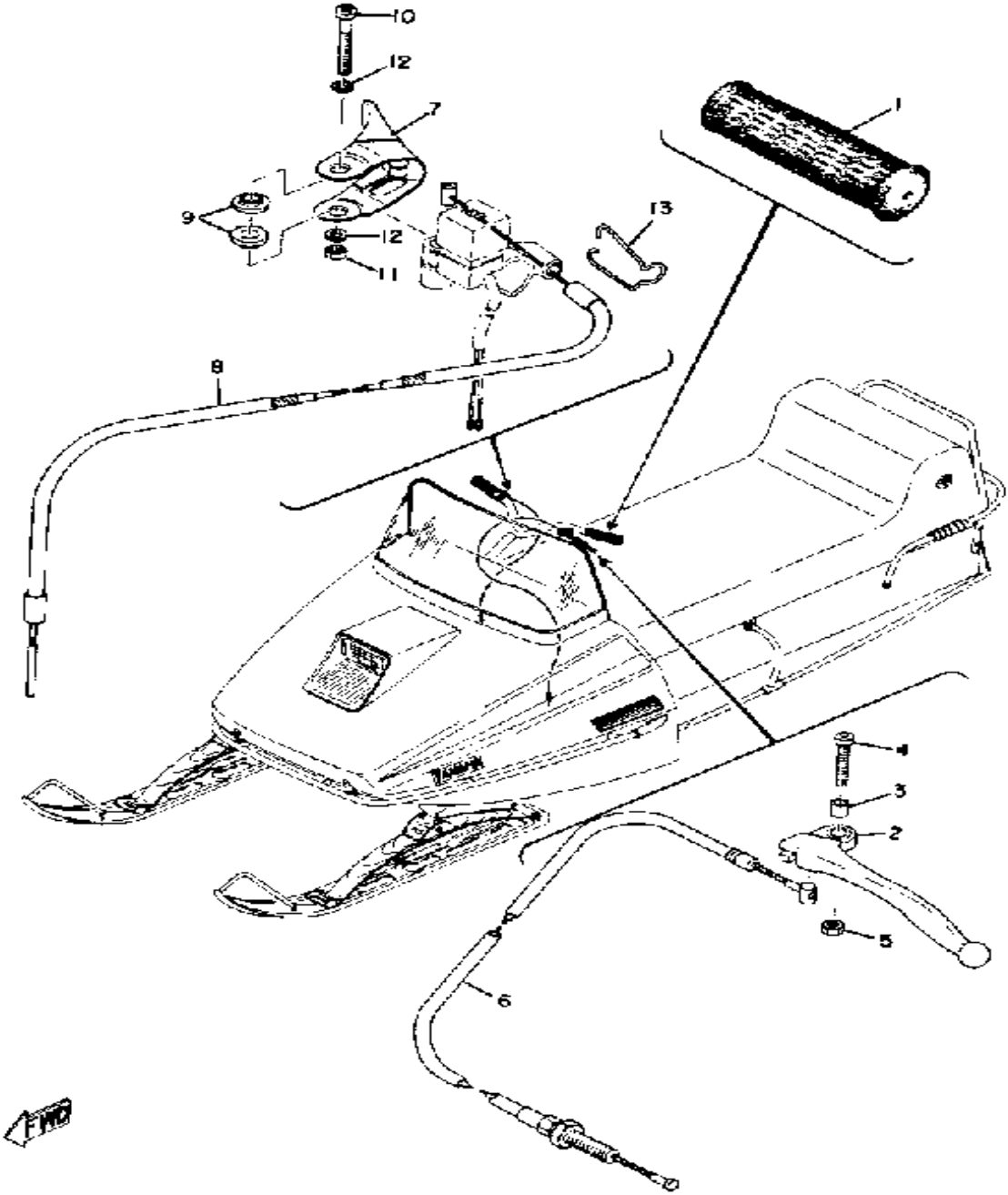
SKI



Ref. No.	Part Number	Description	Qty	Remarks
1	(865-23710-00-00)	SKI 1	2	
2	863-23731-02-00	RUNNER 1	2	
3	90185-08089-00	NUT, SELF-LOCKING	4	
4	90185-08055-00	NUT, SELF-LOCKING	2	
5	(865-23761-00-00)	LEAF 1	2	
6	865-23762-00-00	. LEAF 2	2	
7	865-23763-00-00	. LEAF 3	2	
8	(865-23764-00-00)	LEAF 4	2	
9	865-23771-00-00	. LEAF 5	2	
10	878-23768-00-00	. SEAT, SPRING 1	2	
11	90101-10060-00	. BOLT	4	
12	(841-23766-00-00)	SADDLE 1	2	
13	90209-10069-00	. WASHER, SPEC'L SHAP ...	2	
14	95336-10600-00	. NUT	4	
15	(841-23743-01-00)	STOPPER 1	2	
16	90101-06576-00	. BOLT	2	
17	92995-06100-00	. WASHER, SPRING	2	
-1	(865-23760-00-00)	SPRING ASSEMBLY 1	1	
-2	(865-23770-00-00)	SPRING ASSEMBLY 2	1	

Property of www.SmallEngineDiscount.com - Not for Resale

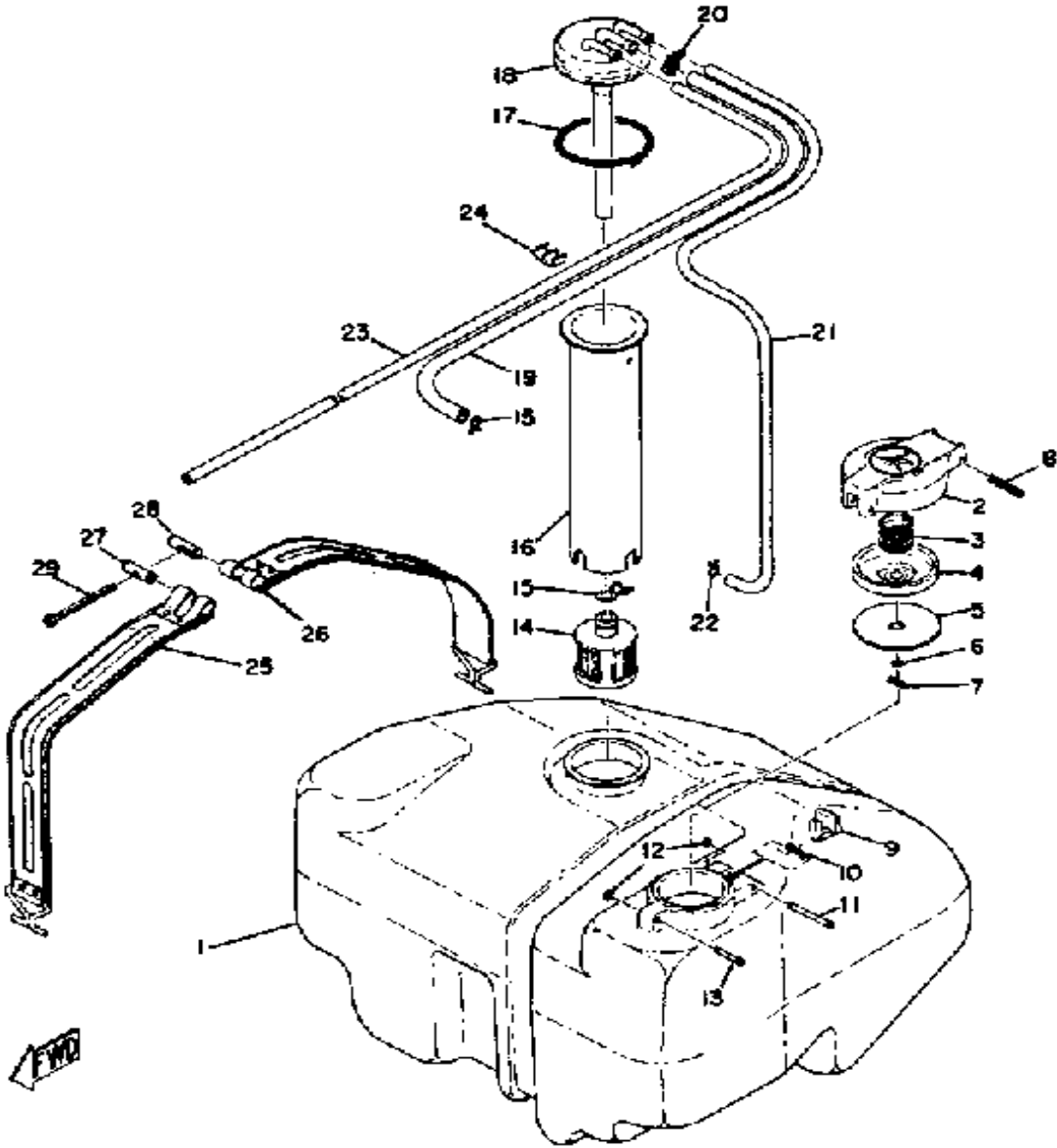
GRIP WIRING



Ref. No.	Part Number	Description	Qty	Remarks
1	801-26241-01-00	GRIP	2	
2	803-83912-00-38	LEVER 1	1	
3	802-83913-00-00	COLLAR, LEVER 1	1	
4	90157-05006-00	SCREW, PAN HEAD (803-83915-00)	1	
5	95311-05700-00	NUT	1	
6	861-26340-02-00	CABLE, BRAKE	1	
7	8G8-42138-00-00	. LEVER, THROTTLE	1	
	90387-06681-00	. COLLAR	2	
	98580-06550-00	. SCREW PAN HEAD (92503-06050)	1	
	99999-01028-00	THROTTLE LEVER	1	
8	863-26311-03-00	CABLE THROTTLE 1	1	
9	90387-062M9-00	COLLAR	2	
10	90157-06004-00	SCREW, PAN HEAD (810-83925-00)	1	
11	95380-06700-00	NUT	1	
12	92990-06200-00	WASHER	2	
13	90468-10017-00	CLIP (821-26391-00)	1	

Property of www.SmallEngineDiscount.com - Not for Resale

FUEL TANK

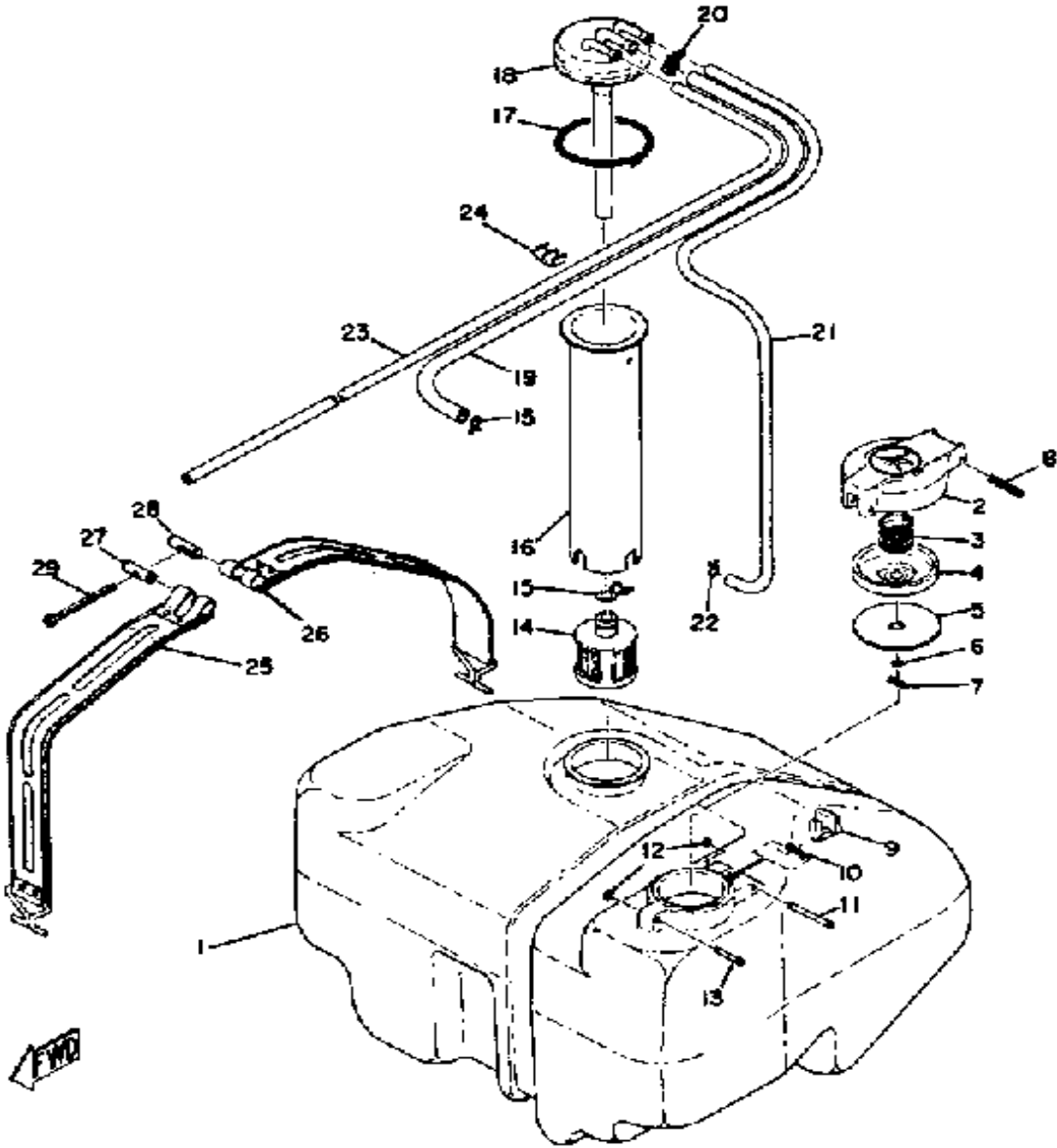


Ref. No.	Part Number	Description	Qty	Remarks
1	865-24111-00-00	FUEL TANK	1	
2	813-24611-01-00	BODY, CAP	1	
3	90501-20130-00	SPRING, COMPRESSION	1	
4	813-24613-01-00	DISC, CAP	1	
5	256-24612-00-00	GASKET, CAP	1	
6	93210-04122-00	O-RING	1	
7	91609-30016-00	PIN, SPRING	1	
8	91609-25032-00	PIN, SPRING	1	
9	83M-24628-00-00	HOOK	1	
10	90508-08003-00	SPRING, TORSION (813-24637-00)	1	
11	90249-03017-00	PIN	1	
12	93430-02001-00	CIRCLIP	2	
13	90249-03016-00	PIN, SPEC'L SHAPE	1	
14	8H5-24560-00-00	FILTER ASSEMBLY	1	
15	90467-11009-00	CLIP	2	
16	865-24336-00-00	PIPE, SUCTION 2	1	
17	90506-06065-00	SPRING, TENSION	1	
18	(865-24335-00-00)	PIPE, SUCTION 1	1	
19	807-24312-00-00	PIPE 2	1	
20	90460-11002-00	CLAMP, HOSE	1	
21	90446-09013-00	HOSE (90446-09079)	1	
22	90460-09001-00	CLAMP, HOSE	1	
23	90446-09057-00	HOSE	1	
24	90468-15020-00	CLIP	2	
25	865-24173-00-00	BAND, TNK FITTING 1	1	
26	(865-24199-00-00)	BAND, TNK FITTING 2	1	
27	806-24135-00-00	CLAMP 1	1	
28	90179-05030-00	NUT, SPEC'L SHAPE (806-24146-00)	1	

CONTINUED ON NEXT FRAME ➤

Property of www.SmallEngineDiscount.com - Not for Resale

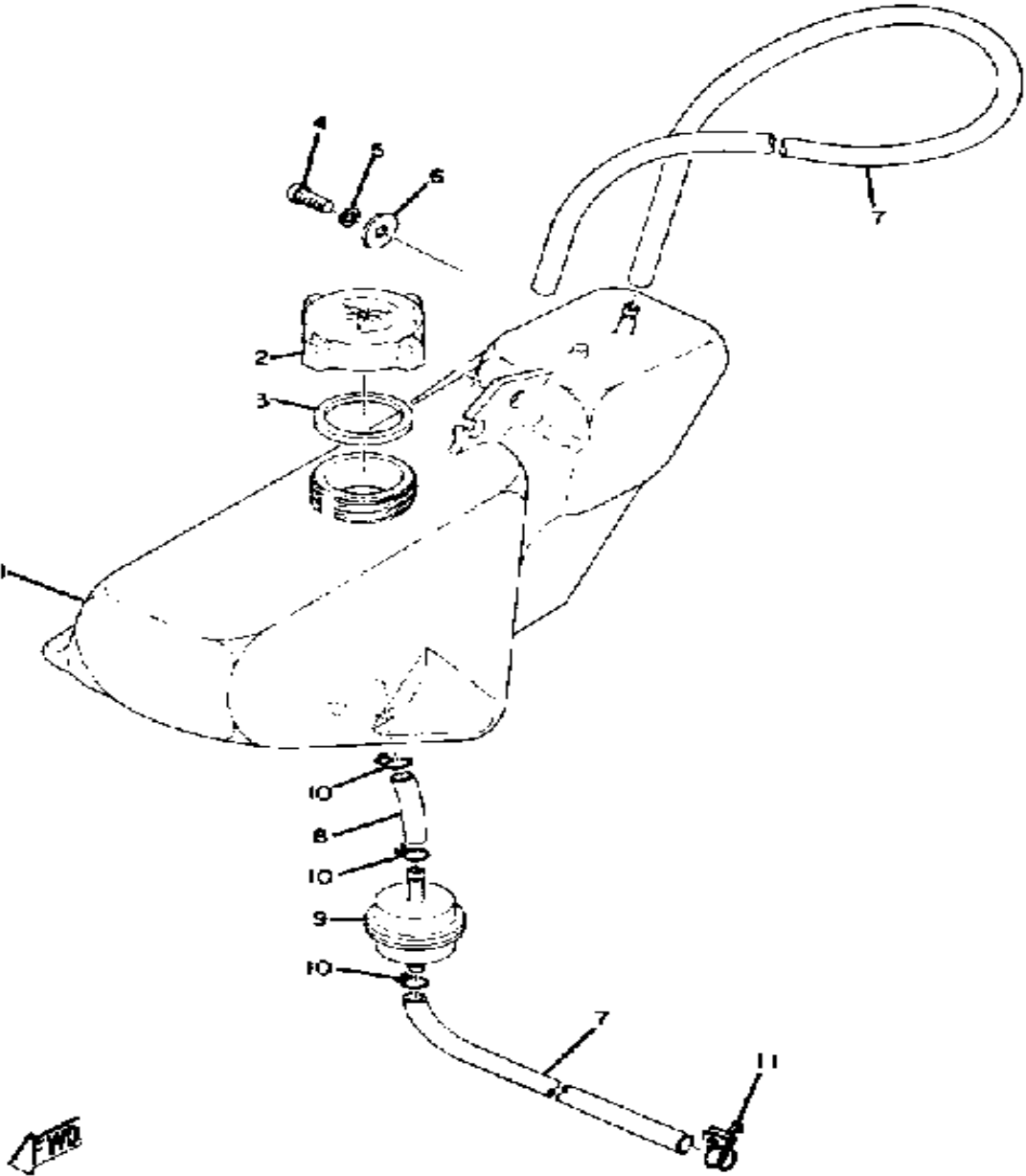
FUEL TANK



Ref. No.	Part Number	Description	Qty	Remarks
29	90149-05006-00	SCREW, SPEC'L SHAPE (821-24176-00)	1	

Property of www.SmallEngineDiscount.com - Not for Resale

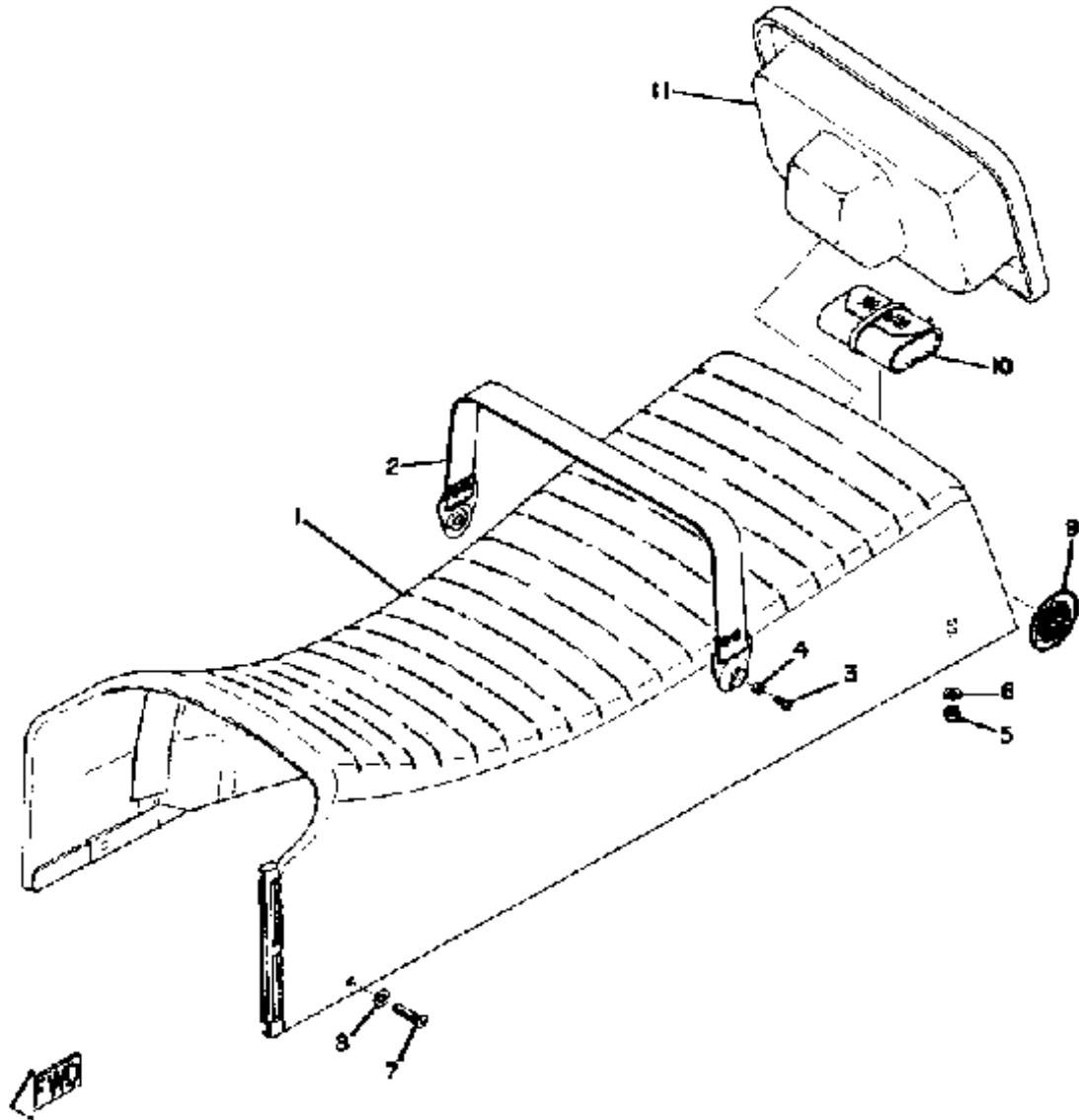
OIL TANK



Ref. No.	Part Number	Description	Qty	Remarks
1	867-21751-00-00	TANK, OIL	1	
2	863-21771-00-00	BODY, CAP	1	
3	90430-31003-00	GASKET	1	
4	98580-05016-00	SCREW, PAN HEAD	1	
5	92990-05100-00	WASHER, SPRING	1	
6	90201-05036-00	WASHER, PLATE	1	
7	90446-09051-00	HOSE (806-24319-00)	2	
8	90446-09052-00	HOSE	1	
9	J10-13410-00-00	STRAINER HSNG ASSEMBLY .	1	
10	90467-09005-00	CLIP, SCISSOR	3	
11	90460-09001-00	CLAMP, HOSE	1	

Property of www.SmallEngineDiscount.com - Not for Resale

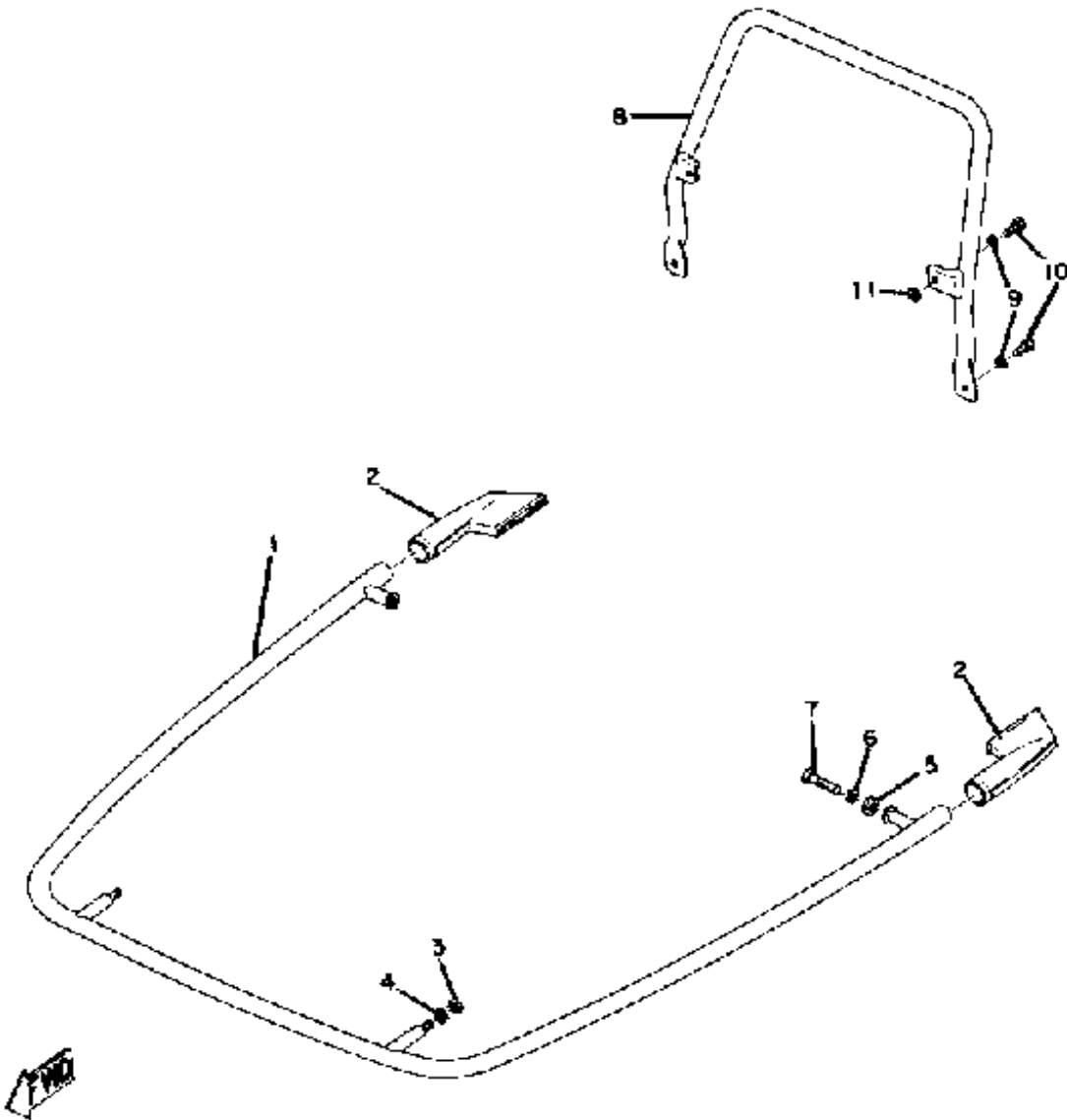
SEAT



Ref. No.	Part Number	Description	Qty	Remarks
1	(865-24730-00-00)	DOUBLE SEAT ASSEMBLY ...	1	
2	(865-24734-00-00)	BAND, SEAT	1	
3	98903-08012-00	SCREW, BIND	2	
4	700-48183-10-00	COLLAR 3	2	
5	90185-08089-00	NUT, SELF-LOCKING	2	
6	92906-08200-00	WASHER	2	
7	90159-06015-00	SCREW, WITH WASHER	2	
8	90201-06059-00	WASHER, PLATE	2	
9	821-77352-00-00	EMBLEM 2	2	
10	(865-28100-10-00)	TOOL KIT	1	
11	(865-77360-00-00)	TOOL BOX LID ASSEMBLY ...	1	
1-1	865-24731-00-00	. COVER, DOUBLE SEAT	1	

Property of www.SmallEngineDiscount.com - Not for Resale

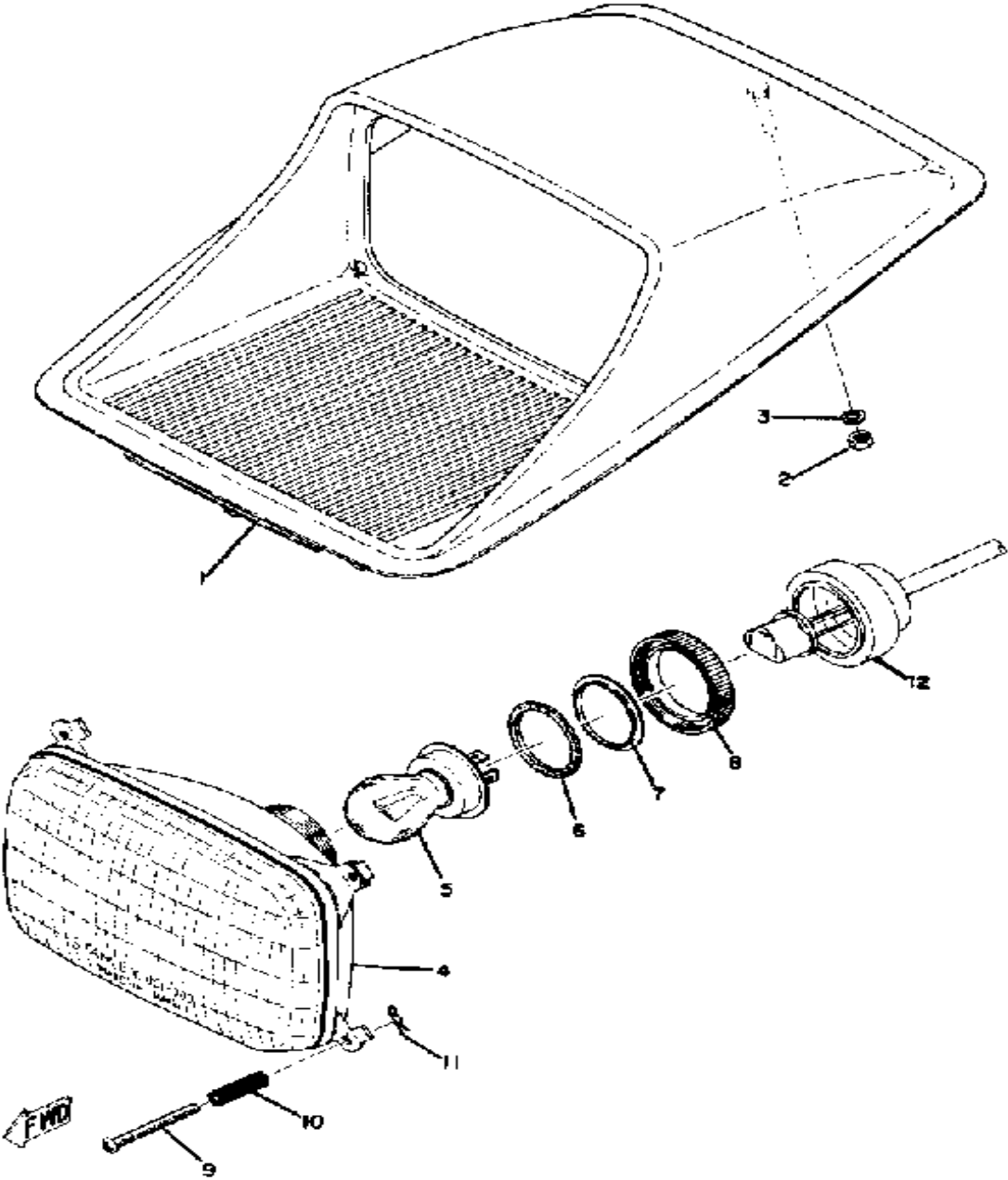
BUMPER



Ref. No.	Part Number	Description	Qty	Remarks
1	841-77510-00-00	FRONT BUMPER	1	
2	838-77523-00-00	END, BUMPER	2	
3	90170-08031-00	NUT, HEXAGON	2	
4	92990-08100-00	WASHER	2	
5	(90201-08456-00)	WASHER, PLATE	2	
6	92906-08100-00	WASHER, SPRING	2	
7	97306-08040-00	BOLT, HEXAGON	2	
8	(865-77541-00-00)	BUMPER, REAR 1	1	
9	92995-06100-00	WASHER, SPRING	4	
10	97023-06020-00	BOLT (3XF)	4	
11	90387-06022-00	COLLAR	2	

Property of www.SmallEngineDiscount.com - Not for Resale

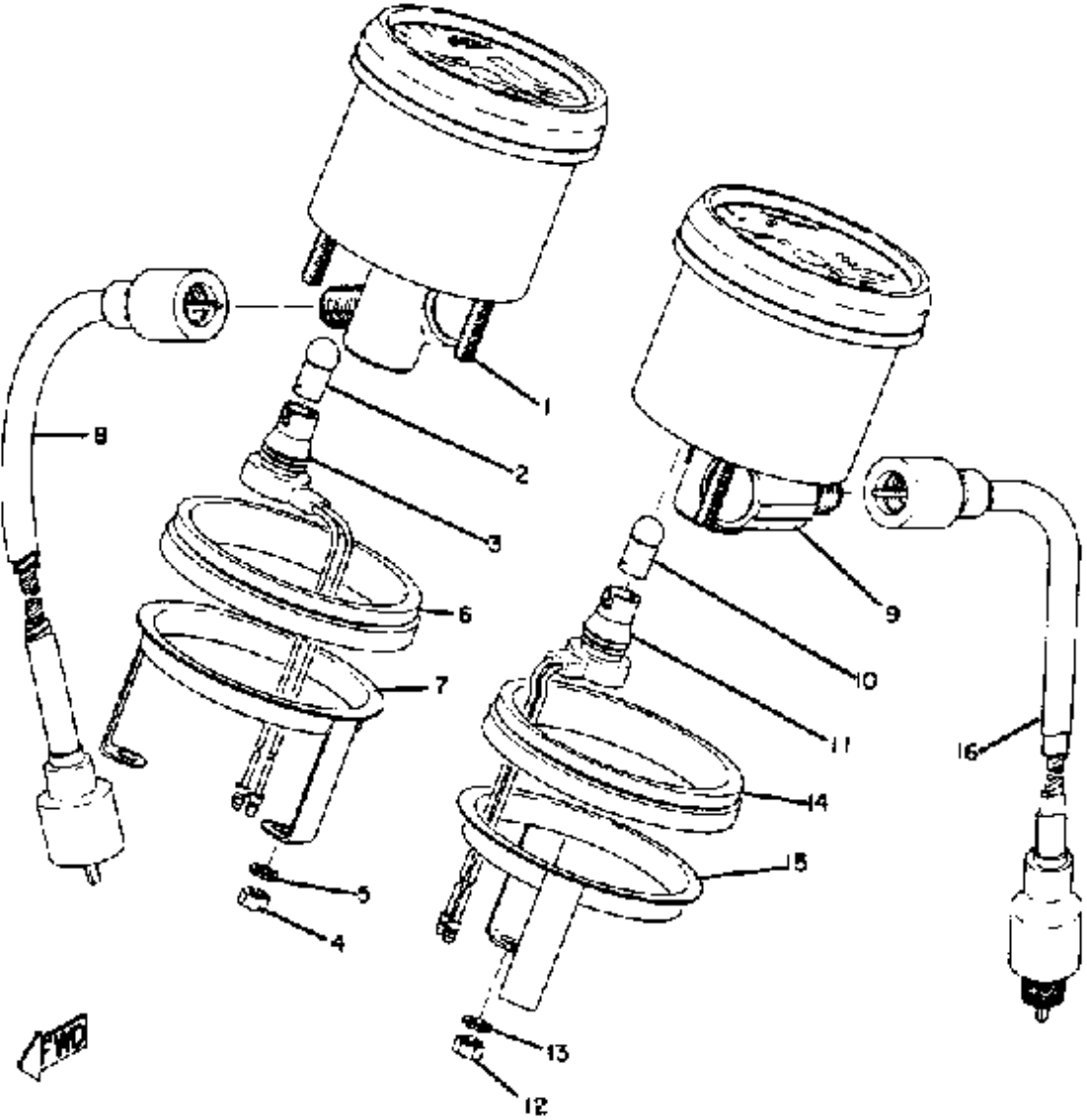
HEAD LAMP



Ref. No.	Part Number	Description	Qty	Remarks
1	(861-84311-00-00)	BODY, HEADLIGHT	1	
2	95306-05600-00	NUT	1	
3	92906-05100-00	WASHER, SPRING	1	
4	(838-84320-01-00)	LENS ASSEMBLY	1	
5	838-84314-00-00	BULB, HEADLIGHT	1	
6	838-84327-00-00	WASHER, SPECIAL	1	
7	838-84328-00-00	SPACER	1	
8	838-84317-00-00	NUT	1	
9	8M6-84331-00-00	SCREW, RIM ADJUSTING (8A5-84331-00-00)	3	
10	8A5-84332-00-00	SPRING, SCREW	4	
11	(807-84351-00-00)	CLAMP, CORD	4	
12	8E4-84359-00-00	CORD, HEADLIGHT (865-84359-00)	1	

Property of www.SmallEngineDiscount.com - Not for Resale

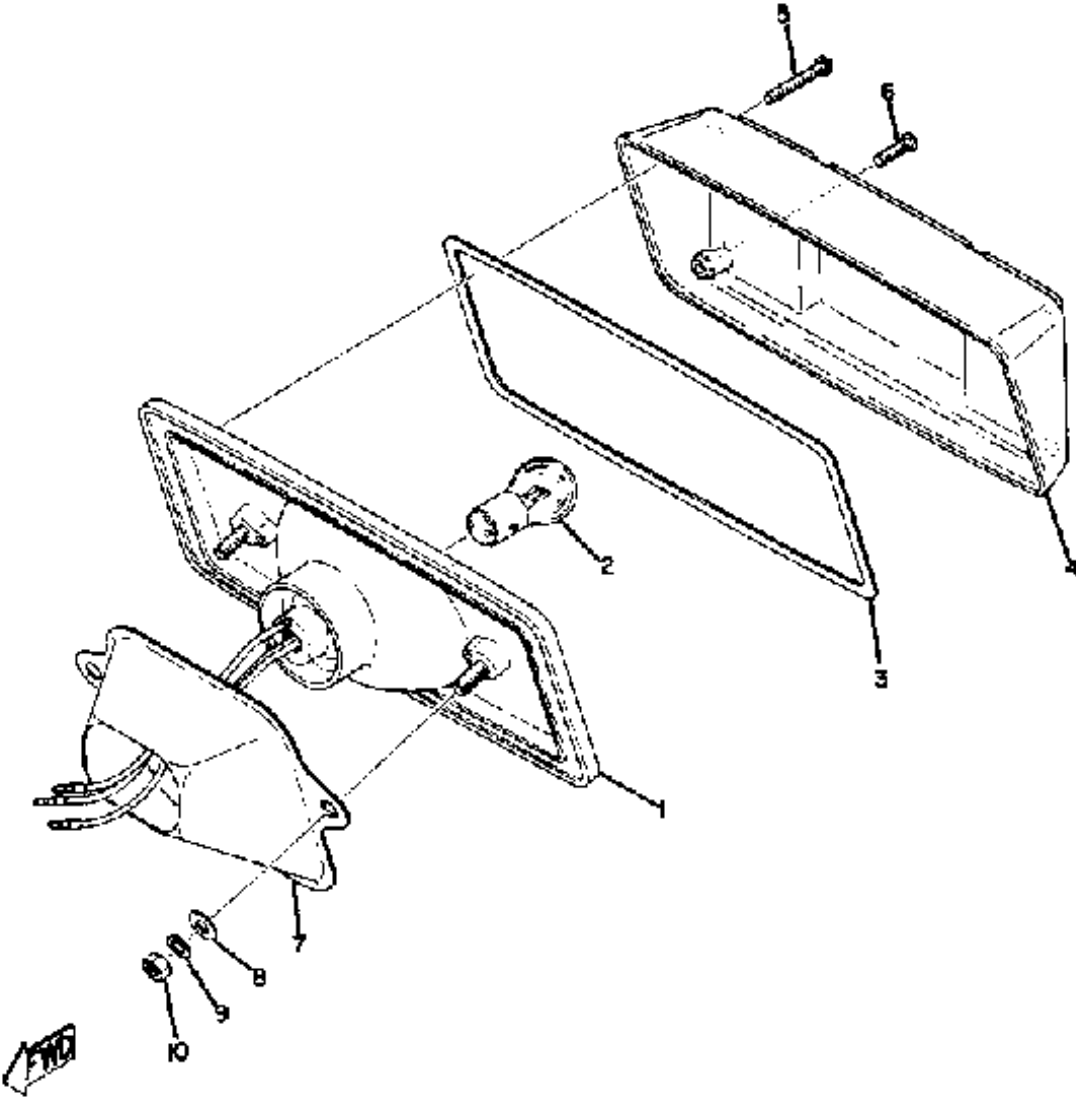
SPEEDOMETER - TACHOMETER



Ref. No.	Part Number	Description	Qty	Remarks
1	861-83510-41-00	SPEEDOMETER ASSEMBLY ..	1	
2	123-83516-21-00	. BULB (12V-3.4W)	1	
3	(861-83536-40-00)	SOCKET, METER	1	
4	95380-05600-00	. NUT	2	
5	92990-05100-00	. WASHER, SPRING	2	
6	861-83523-40-00	DAMPER	1	
7	861-83514-40-00	PLATE, FITTING	1	
8	839-83550-01-00	SPEEDOMETER CABLE	1	
9	(ACC-01200-42-74)	TACHOMETER KIT	1	
10	123-83516-21-00	. BULB (12V-3.4W)	1	
11	(861-83536-40-00)	SOCKET, METER	1	
12	95380-05600-00	. NUT	2	
13	92995-06100-00	. WASHER, SPRING	2	
14	861-83523-40-00	DAMPER	1	
15	861-83514-40-00	PLATE, FITTING	1	
16	843-83560-01-00	TACHOMETER CABLE (843-83560-00)	1	

Property of www.SmallEngineDiscount.com - Not for Resale

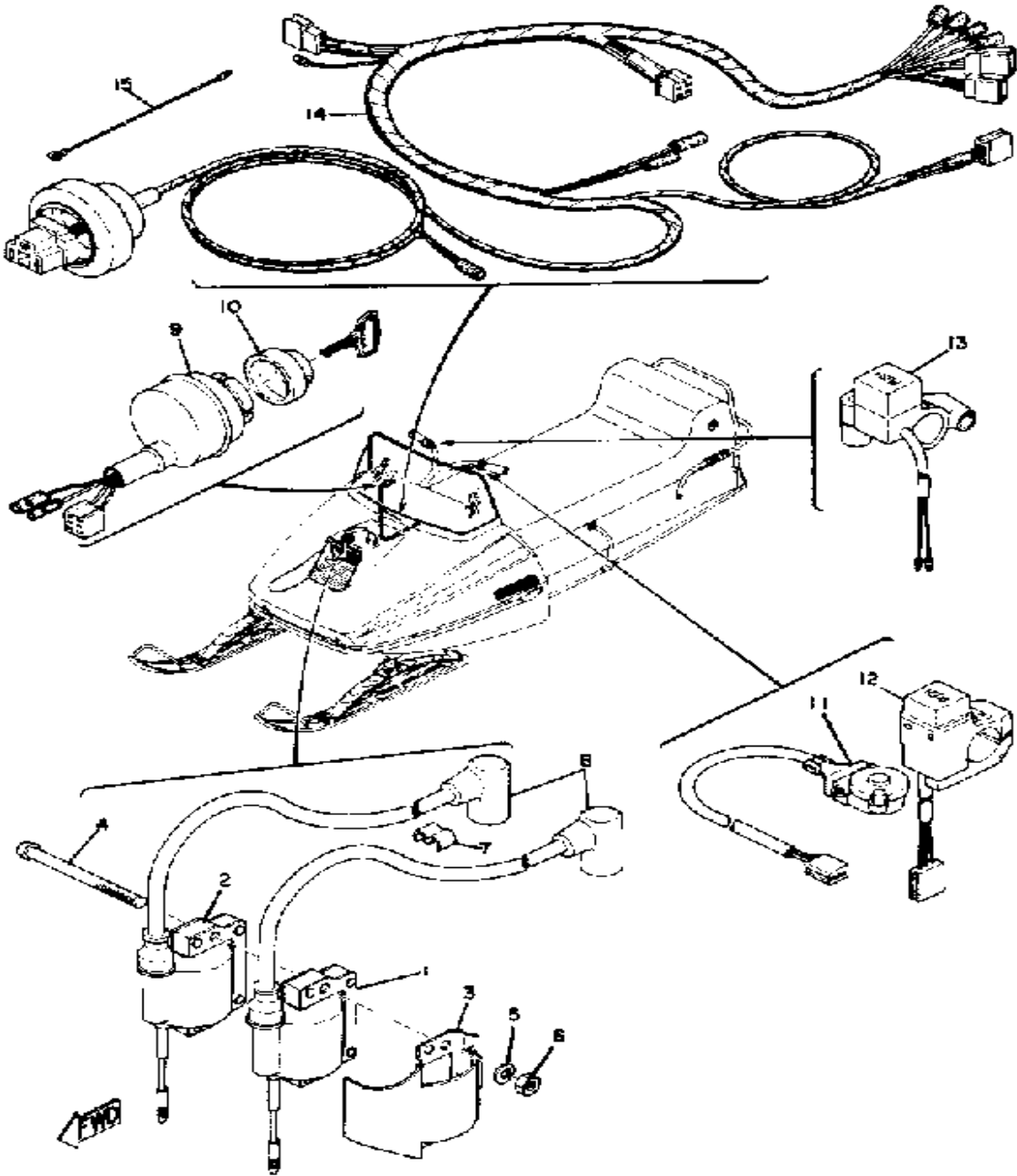
TAIL LAMP



Ref. No.	Part Number	Description	Qty	Remarks
1	853-84710-00-00	. TAILLIGHT UNIT ASSEMBLY .	1	
2	137-84714-61-00	. BULB, TL 12V23/8W (J50-83311-00)	1	
3	821-84712-00-00	. SEAT, BASE	1	
4	821-84721-00-00	. LENS, TAILLIGHT	1	
5	98511-04030-00	. SCREW, PAN HEAD	2	
6	98503-04014-00	. SCREW, PAN HEAD	2	
7	(853-24796-00-00)	COVER	1	
8	92990-06200-00	WASHER	2	
9	92995-06100-00	WASHER, SPRING	2	
10	95380-06600-00	NUT	2	
-1	853-84710-00-00	TAILLIGHT UNIT ASSEMBLY ..	1	

Property of www.SmallEngineDiscount.com - Not for Resale

ELECTRICAL



Ref. No.	Part Number	Description	Qty	Remarks
1	838-82310-40-00	IGNITION COIL ASSEMBLY ...	1	
2	(839-82310-40-00)	IGNITION COIL ASSEMBLY ...	1	
3	861-82361-00-00	CLAMP, CORD	1	
4	98506-06070-00	SCREW, PAN HEAD	2	
5	92906-06100-00	WASHER, SPRING	2	
6	95316-06600-00	NUT	2	
7	861-82361-00-00	CLAMP, CORD	1	
8	663-82370-01-00	PLUG CAP ASSEMBLY	2	
9	898-82508-20-00	MAIN SWITCH ASSEMBLY ...	1	
10	806-82516-00-00	COLLAR, MAIN SWITCH	1	
11	822-82530-00-00	STOP SWITCH ASSEMBLY ...	1	
12	861-83950-01-00	BEAM SWITCH ASSEMBLY ...	1	
13	883-83976-00-00	SWITCH, HANDLE 1	1	
14	(865-82590-21-00)	WIRE HARNESS ASSEMBLY ..	1	
15	(838-82519-00-00)	WIRE, EARTH LEAD	1	

Property of www.SmallEngineDiscount.com - Not for Resale