



YAMAHA

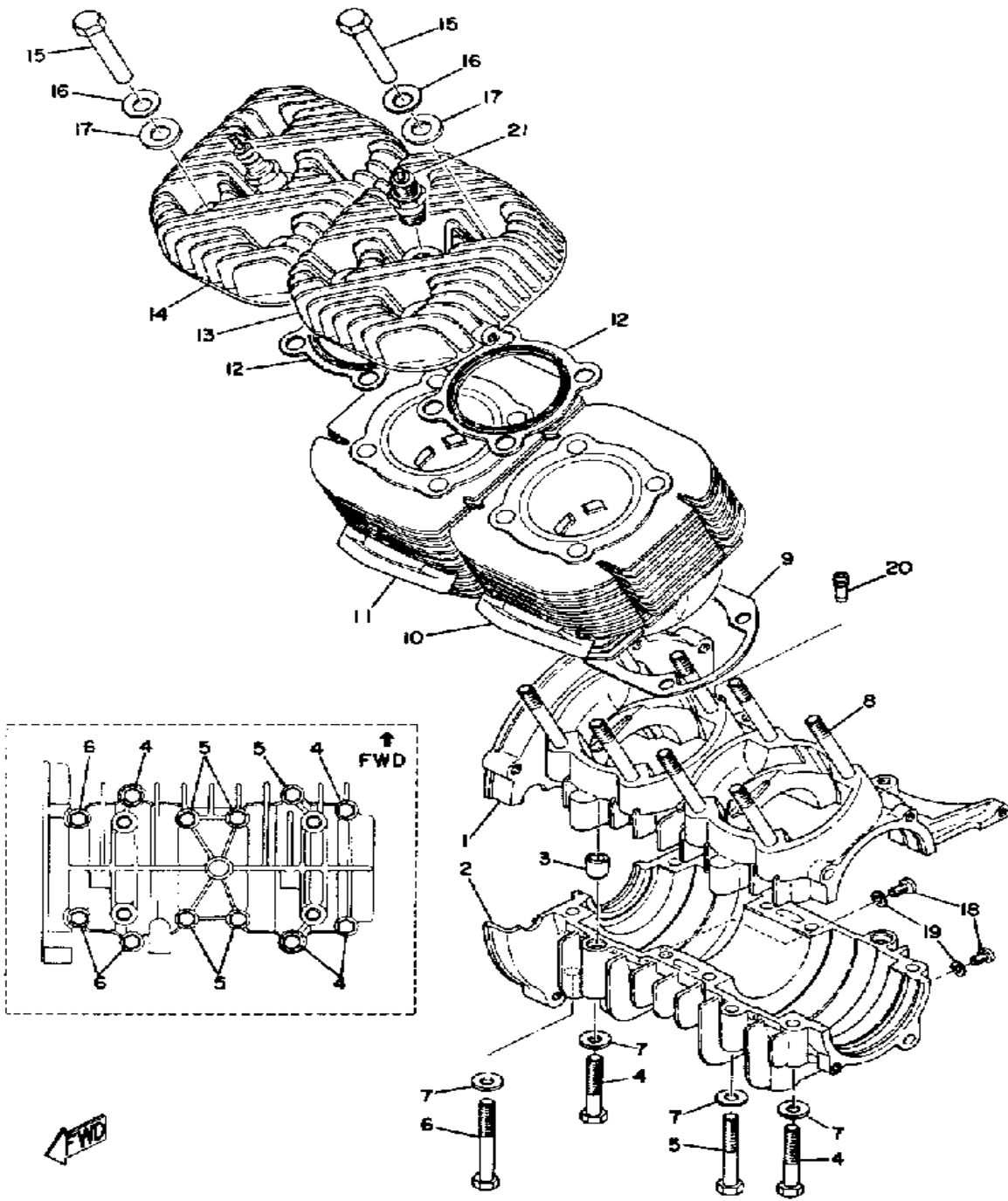
GENUINE

PARTS CATALOGUE

SNOWMOBILE

Property of www.SmallEngineDiscount.com - Not for Resale

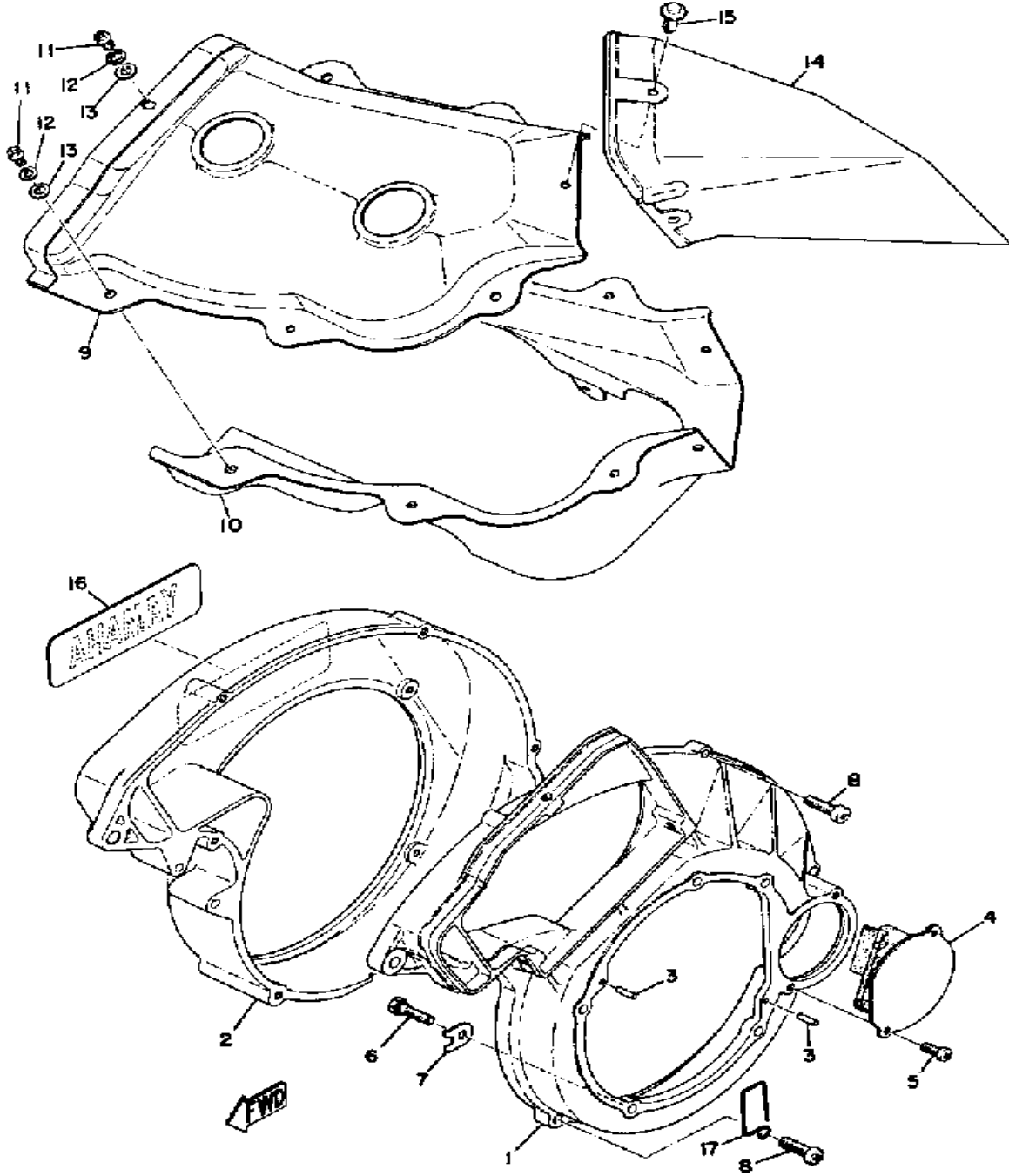
CRANKCASE - CYLINDER



Ref. No.	Part Number	Description	Qty	Remarks
3	99510-12016-00	. PIN, DOWEL	2	
4	97313-08050-00	BOLT, HEXAGON (90101-08125)	4	
5	97013-08060-00	BOLT (663)	5	
6	97021-08070-00	BOLT	3	
7	92990-08200-00	WASHER, PLAIN	12	
8	90116-08064-00	BOLT, STUD	8	
9	857-11351-00-00	GASKET, CYLINDER	2	
10	(828-11311-00-00)	CYLINDER, LEFT	1	
11	(828-11321-00-00)	CYLINDER, RIGHT	1	
12	818-11181-00-00	GASKET, CYLINDER HEAD 1 .	2	
13	(818-11111-00-00)	HEAD, CYLINDER 1	1	
14	818-11121-00-00	HEAD, CYLINDER 2	1	
15	90179-08090-00	NUT, SPEC'L SHAPE	8	
16	90208-12015-00	WASHER, CONICAL SPRING ..	8	
17	92990-12200-00	WASHER, PLAIN	8	
18	98580-06010-00	SCREW, PAN HEAD (92503-06010)	2	
19	90430-06016-00	GASKET	2	
20	J38-11116-00-00	JOINT, BREATHER	1	
21	(CMP-N3G00-00-00)	CHAMPION N3G 10PK	2	
-1	838-15100-01-00	CRANKCASE ASSEMBLY	1	

Property of www.SmallEngineDiscount.com - Not for Resale

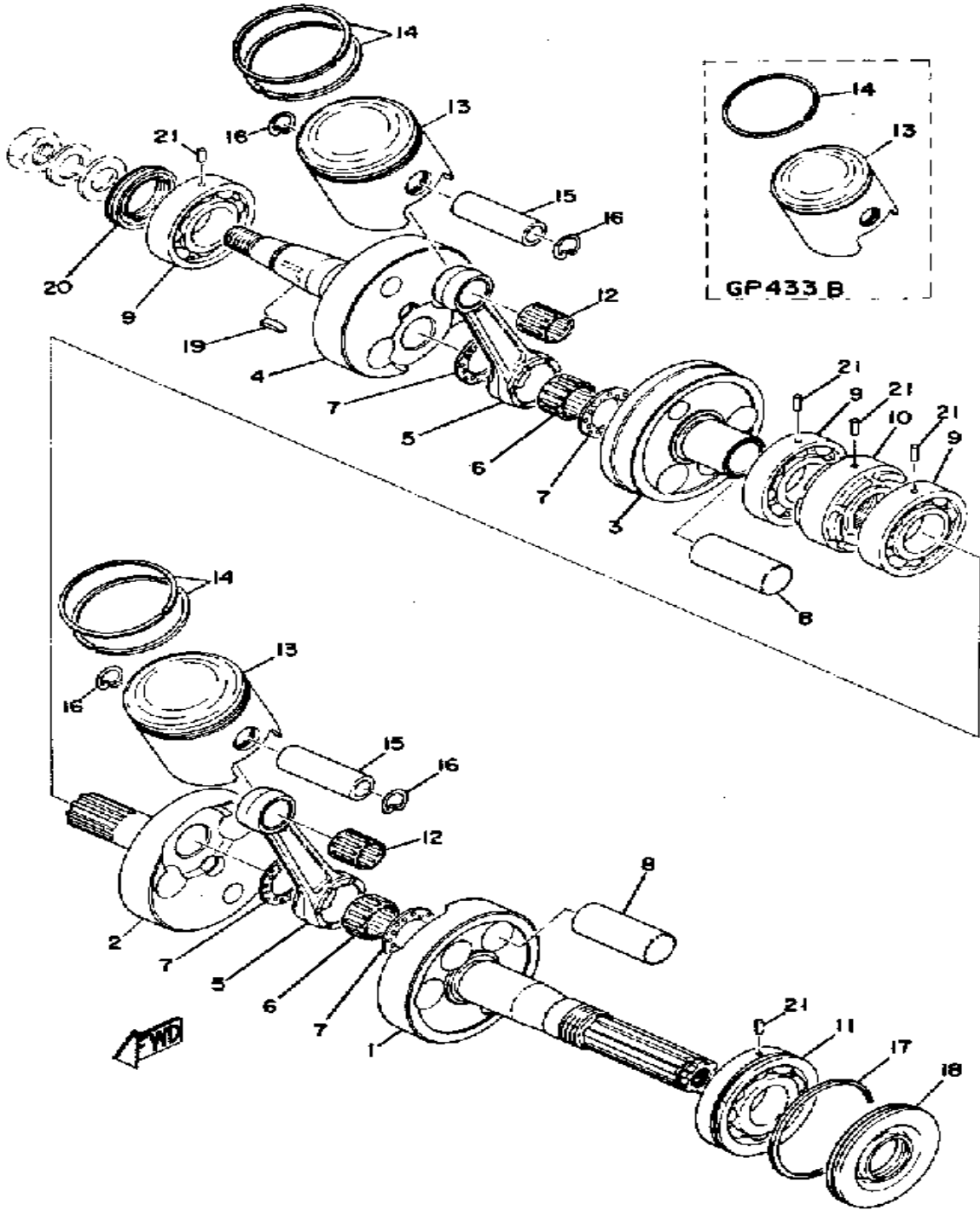
FAN CASE - AIR SHROUD



Ref. No.	Part Number	Description	Qty	Remarks
1	(838-12621-00-00)	CASE, FAN	1	
2	838-12622-00-00	CASE, FAN 2	1	
3	93604-14012-00	PIN, DOWEL	2	
4	(821-12633-00-00)	PLATE	1	
5	98580-05010-00	SCREW, PAN HEAD	2	
6	807-12623-00-00	NO LONGER AVAILABLE	5	
7	(838-12624-00-00)	WASHER, LOCK 1	5	
8	98506-06025-00	SCREW, PAN HEAD	6	
9	(821-12651-00-00)	AIR SHROUD, CYLINDER 1 ...	1	
10	(821-12652-00-00)	AIR SHROUD, CYLINDER 2 ...	1	
11	98516-06012-00	SCREW, PAN HEAD	10	
12	92906-06100-00	WASHER, SPRING	10	
13	92906-06200-00	WASHER	10	
14	(841-12661-00-00)	DUCT	1	
15	(838-12666-00-00)	FASTENER	3	
16	(838-12629-00-00)	EMBLEM	1	
17	(841-24369-00-00)	CLAMP, OIL PIPE	1	

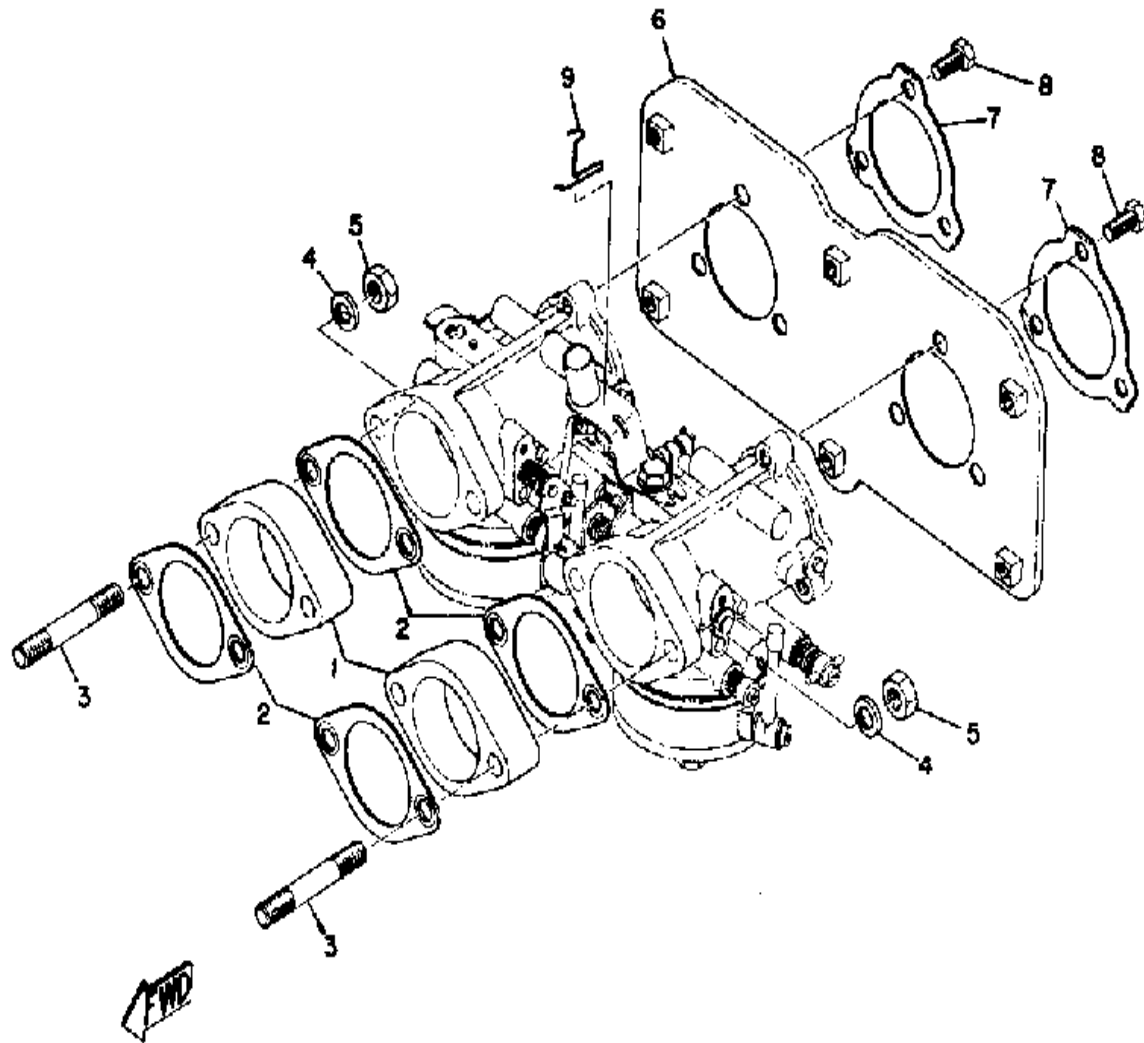
Property of www.SmallEngineDiscount.com - Not for Resale

CRANK - PISTON



Ref. No.	Part Number	Description	Qty	Remarks
1	(838-11412-00-00)	CRANK 1	1	
2	(821-11422-01-00)	CRANK 2	1	
3	(821-11432-01-00)	CRANK 3	1	
4	(821-11442-00-00)	CRANK 4	2	
5	8A7-11651-00-00	. ROD, CONNECTING (838-11651-00)	2	
6	93310-42497-00	. BEARING, CYLINDER.# 0 ...	2	
7	90209-24073-00	. WASHER	4	
8	857-11681-00-00	. PIN, CRANK 1	2	
9	93306-20633-00	. BEARING	3	
10	811-11515-00-00	. SEAL, LABYRINTH 1	1	
11	93306-30603-00	. BEARING	1	
12	93310-218A6-00	BEARING	2	
13	(820-11635-02-00)	PISTON 1 O/S 0.5	2	ALTERNATE PARTS
	820-11631-02-96	PISTON (.96 STD)	2	
	820-11636-02-00	PISTON (0.50 2ND O.S)	2	ALTERNATE PARTS
14	820-11611-00-00	RING, PISTON (STD)	2	
	820-11611-10-00	RING, PISTON (1ST O.S)	2	ALTERNATE PARTS
	820-11611-20-00	RING, PISTON (2ND O.S)	2	ALTERNATE PARTS
15	818-11633-00-00	PIN, PISTON	2	
16	93450-20026-00	CIRCLIP	4	
17	93440-78011-00	CIRCLIP, OUTER	1	
18	93103-32054-00	OIL SEAL, SW-TYPE	1	
19	90280-05014-00	KEY, WOODRUFF	1	
20	93103-32156-00	OIL SEAL	1	
21	93604-12037-00	PIN, DOWEL	5	
-1	838-11400-00-00	CRANKSHAFT ASSEMBLY ...	1	

Property of www.SmallEngineDiscount.com - Not for Resale

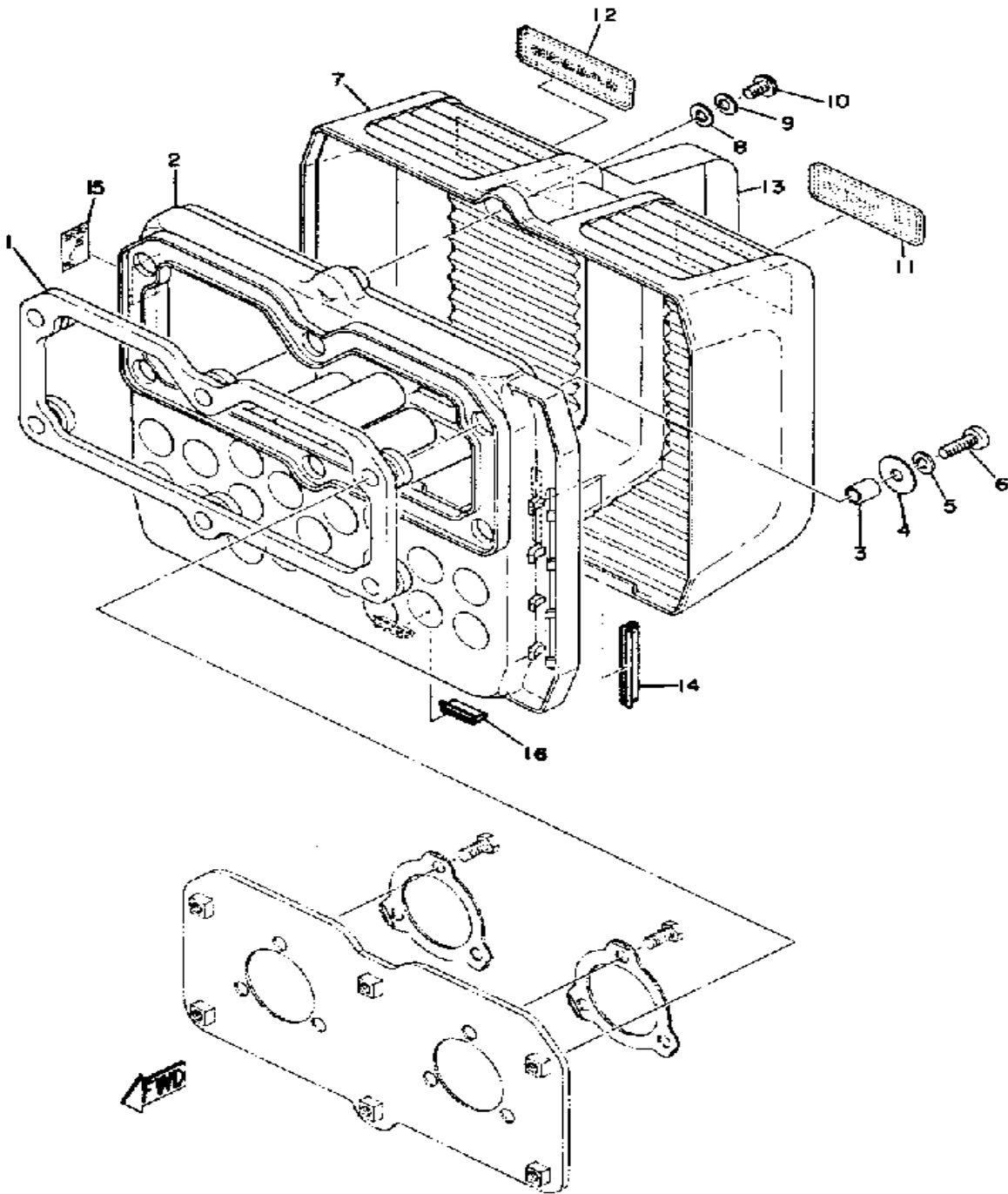


INTAKE 1

Ref. No.	Part Number	Description	Qty	Remarks
1	(820-13555-00-00)	MANIFOLD, INTAKE	2	
2	828-13556-00-00	GASKET	4	
3	90116-08057-00	BOLT, STUD	4	
4	92990-08100-00	WASHER	4	
5	95303-08700-00	NUT	4	
6	(844-14477-00-00)	PLATE	1	
7	90209-43074-00 (844-14475-00)	WASHER, SPEC'L SHAP	2	
8	97013-06012-00	BOLT	6	
9	822-41222-00-00	CLAMP, THROTTLE	1	

Property of www.SmallEngineDiscount.com - Not for Resale

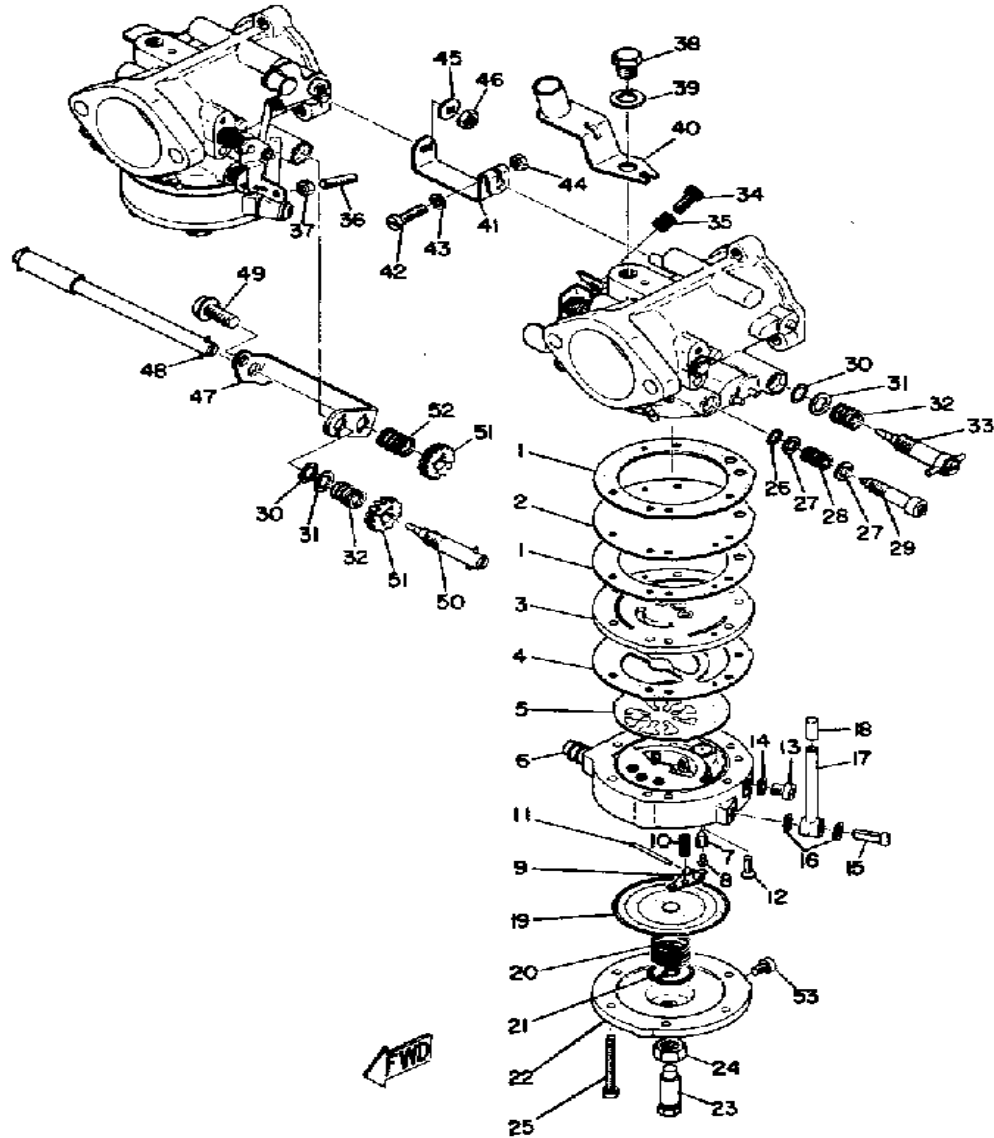
INTAKE 2



Ref. No.	Part Number	Description	Qty	Remarks
1	(844-14492-00-00)	DAMPER	1	
2	(844-14431-00-00)	SILENCER, INTAKE 1	1	
3	90387-065L7-00	COLLAR (51L) (214-21633-00) .	6	
4	90201-06067-00	WASHER, PLATE	6	
5	92995-06100-00	WASHER, SPRING	6	
6	98580-06020-00	SCREW	6	
7	(844-14441-00-00)	SILENCER, INTAKE 2	1	
8	92906-06200-00	WASHER	1	
9	92906-06100-00	WASHER, SPRING	1	
10	98906-06010-00	SCREW, BIND	1	
11	(844-77351-00-00)	EMBLEM 1	1	
12	(844-77451-00-00)	EMBLEM 1	1	
13	(844-77359-00-00)	EMBLEM 9	1	
14	(844-14425-00-00)	DAMPER 1	6	
15	(844-77455-00-00)	INDICATOR, CHOKE	1	
16	(844-14426-00-00)	DAMPER 2	2	

Property of www.SmallEngineDiscount.com - Not for Resale

CARBURETOR



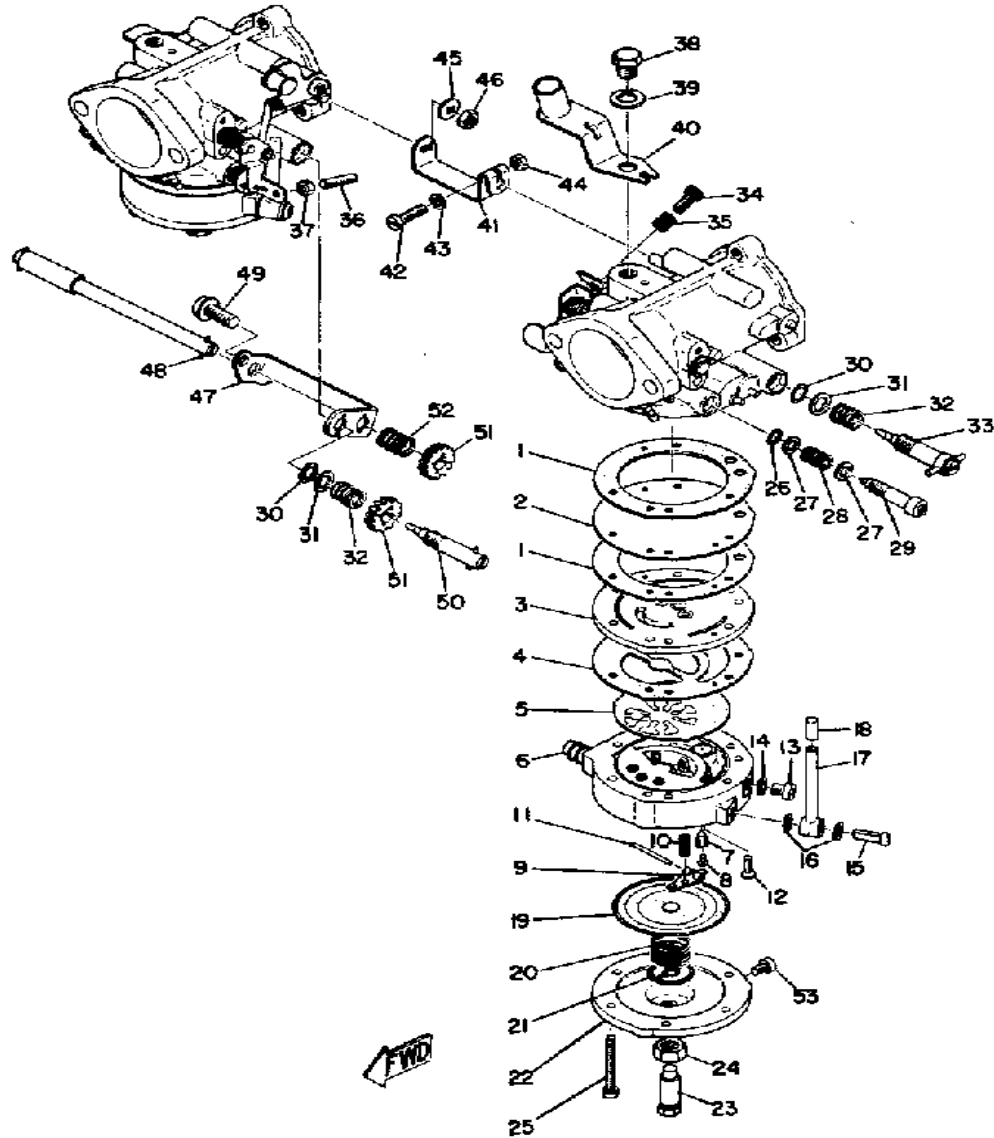
Ref. No.	Part Number	Description	Qty	Remarks
1	838-14536-00-00	. GASKET	4	
2	834-14541-00-00	. DIAPHRAGM, PUMP	2	
3	(838-14542-00-00)	BODY, PUMP 1	2	
4	834-14553-00-00	. GASKET	2	
5	806-14552-01-00	. VALVE, CHECK	2	
6	(844-14543-00-00)	BODY, PUMP 2	2	
7	838-14546-00-00	. VALVE, NEEDLE	2	
8	676-14186-00-00	. PIN, FLOAT	2	
9	(810-14547-00-00)	ARM, FLOAT	2	
10	810-14556-00-00	. SPRING	2	
11	(806-14548-00-00)	PIN, FLOAT ARM	2	
12	98702-03008-00	. SCREW, FLAT HEAD	2	
13	(806-14567-01-00)	SCREW	2	
14	810-14597-00-00	. WASHER	2	
15	8A1-14592-00-00	. SCREW	2	
16	806-14559-00-00	. WASHER	4	
17	810-14197-02-00	. PIPE, AIRVENT	2	
18	810-24462-01-00	. CAP, BLIND	2	
19	810-14545-00-00	. DIAPHRAGM	2	
20	(810-14555-00-00)	SPRING	2	
21	(810-14136-00-00)	SEAT, SPRING	2	
22	(810-14544-00-00)	BODY, PUMP 3	2	
23	824-14565-00-00	. SCREW, STOP	2	
24	95303-08700-00	. NUT	2	
25	(824-14567-00-00)	SCREW	2	
26	824-14563-00-00	. O-RING		
27	838-14596-00-00	. WASHER	4	
28	(824-14531-00-00)	SPRING, AJST SCREW	2	
29	(839-14522-00-00)	SCREW, ADJUST	2	

CARBURETOR (MFR) (TYPE) (I.D. NUMBER)	Keihin CD38-32	Diaphragm 844E1
QUANTITY/VENTURI SIZE (MEASURED) (EFFECTIVE)	2 34mm	32mm
FUEL INLET VALVE (SIZE)	1.9mm dia.	
SLOW SPEED SCREW SETTING (TURNS OUT)	L 1-3/4	R 1-3/4
HIGH SPEED SCREW SETTING (TURNS OUT)	L 1.0	R 1-1/4
IDLE SPEED	2200 RPM	
AVERAGE FUEL CONSUMPTION (IDEAL CONDITIONS)	10.2 MPG	

CONTINUED ON NEXT FRAME ➤

Property of www.SmallEngineDiscount.com - Not for Resale

CARBURETOR

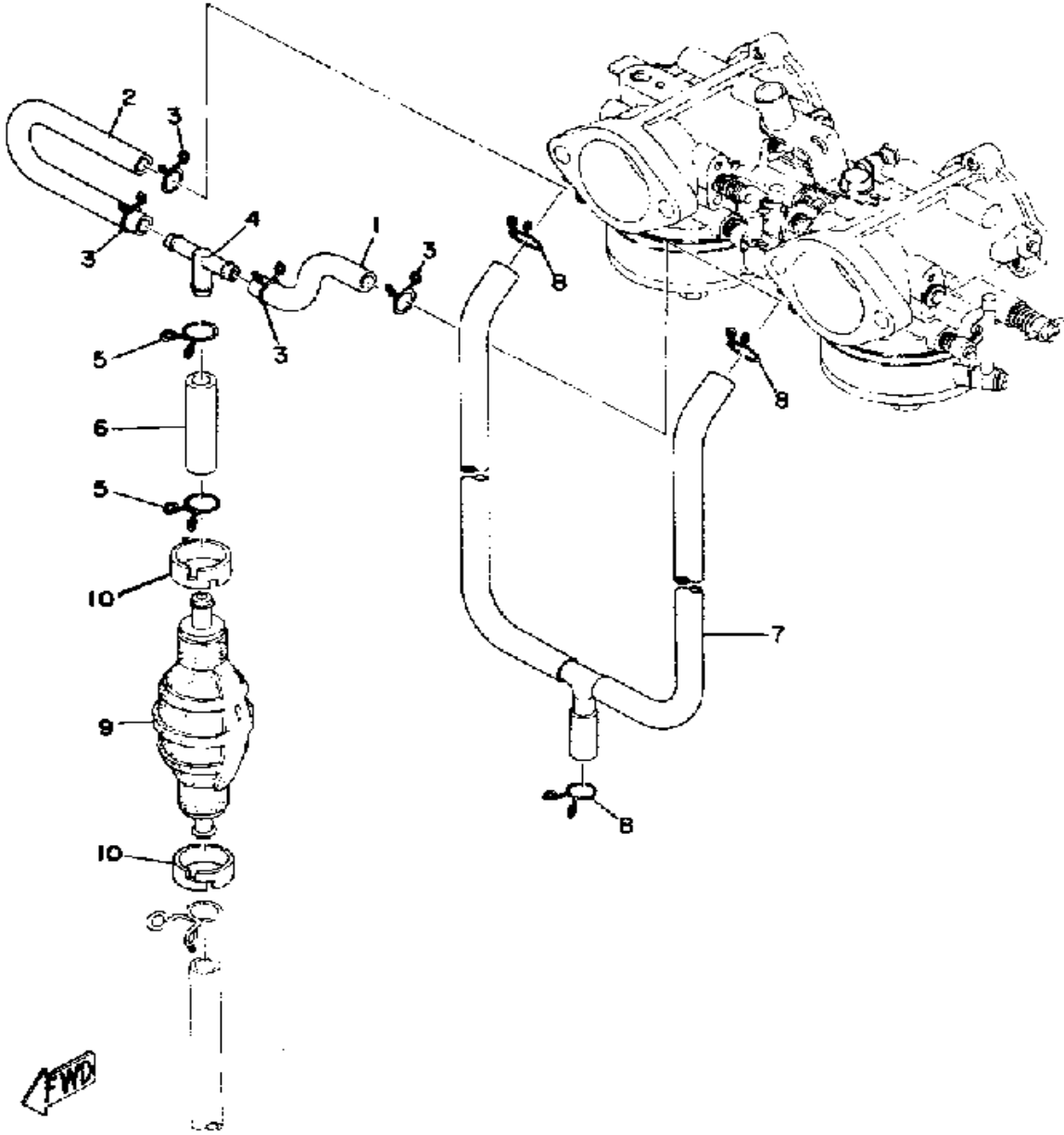


Ref. No.	Part Number	Description	Qty	Remarks
30	824-14564-00-00	. O-RING	2	
31	824-14597-00-00	. WASHER	2	
32	(824-14533-00-00)	SPRING, AJST SCREW	2	
33	(844-14521-00-00)	SCREW, ADJUST	1	
34	(806-14523-00-00)	SCREW, STOP	1	
35	(806-14533-00-00)	SPRING, AJST SCREW	1	
36	(813-14591-00-00)	SCREW	1	
37	(806-14594-00-00)	NUT	1	
38	97313-08012-00	. BOLT	1	
39	92990-08100-00	. WASHER	1	
40	828-14571-00-00	. BRACKET, THROTTLE	1	
41	(844-14588-00-00)	CONNECTOR	1	
42	(844-14566-00-00)	SCREW, STOP	1	
43	92990-04200-00	. WASHER, PLAIN	1	
44	(806-14595-00-00)	NUT	1	
45	(806-14598-00-00)	WASHER	1	
46	95380-05600-00	. NUT	1	
47	(844-14527-00-00)	PLATE	1	
48	(844-41258-00-00)	SHAFT, LINK	1	
49	(844-14567-00-00)	SCREW	1	
50	(844-14521-00-00)	SCREW, ADJUST	1	
51	(844-42152-00-00)	GEAR	2	
52	(844-14533-00-00)	SPRING, AJST SCREW	2	
53	98511-04006-00	. SCREW, PAN HEAD (98501-04005)	2	
-1	844-14501-00-00	CARBURETOR ASSEMBLY 1	1	SN60
	844-14502-00-00	CARBURETOR ASSEMBLY 2	1	SN60

CARBURETOR (MFR) (TYPE) (I.D. NUMBER)	Keihin CD38-32 Diaphragm 844E1
QUANTITY/VENTURI SIZE (MEASURED) (EFFECTIVE)	2 34mm 32mm
FUEL INLET VALVE (SIZE)	1.9mm dia.
SLOW SPEED SCREW SETTING (TURNS OUT)	L 1-3/4 R 1-3/4
HIGH SPEED SCREW SETTING (TURNS OUT)	L 1.0 R 1-1/4
IDLE SPEED	2200 RPM
AVERAGE FUEL CONSUMPTION (IDEAL CONDITIONS)	10.2 MPG

Property of www.SmallEngineDiscount.com - Not for Resale

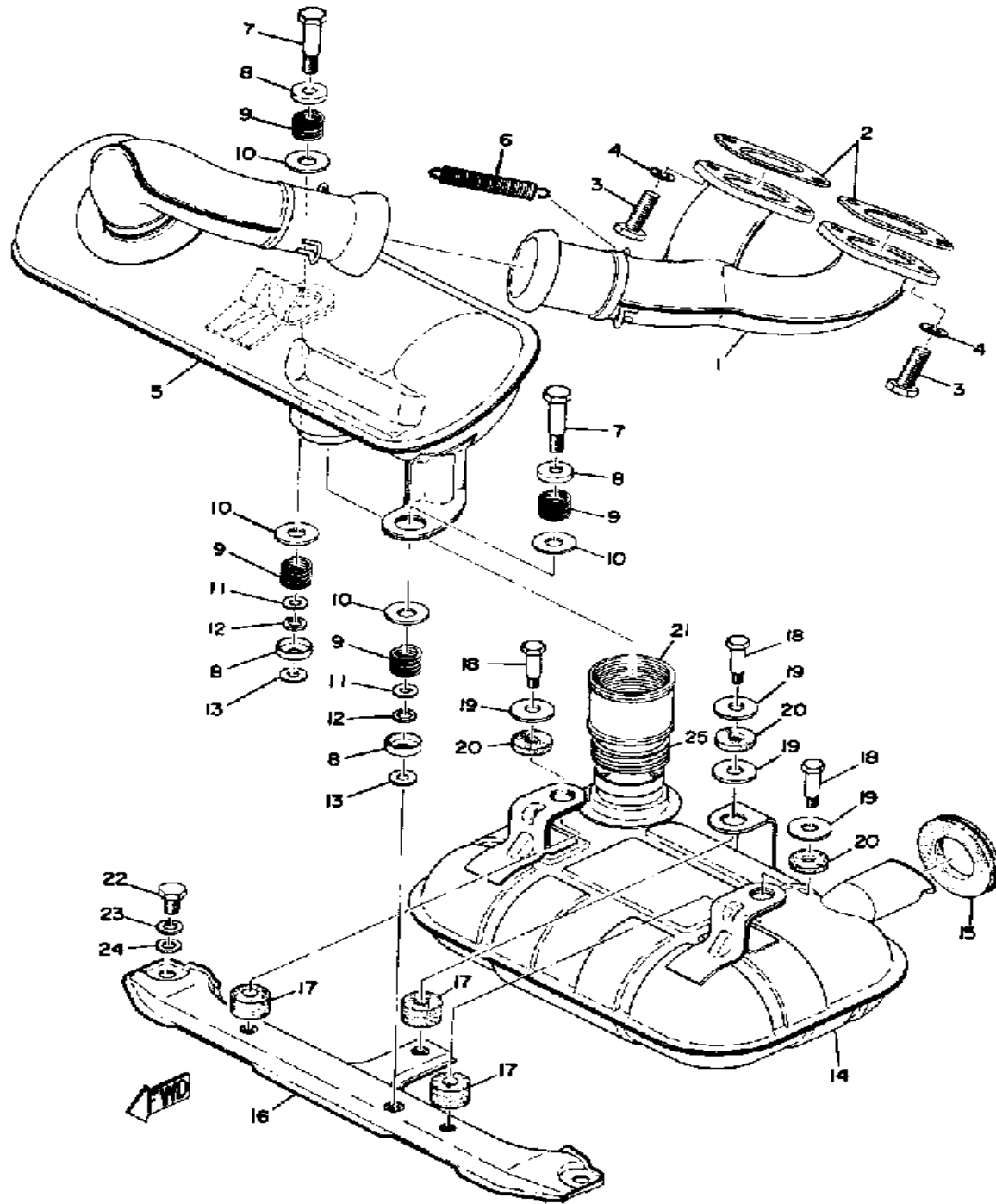
PIPING



Ref. No.	Part Number	Description	Qty	Remarks
1	(813-24313-00-00)	PIPE 3	1	
2	807-24317-00-00	PIPE 7	1	
3	90467-09005-00	CLIP, SCISSOR	4	
4	807-24376-00-00	PIPE, JOINT 1	1	
5	90467-11009-00	CLIP	2	
6	90446-11018-00	HOSE	1	
7	(844-24315-00-00)	PIPE 5	1	
8	90467-09006-00	CLIP	3	
9	810-24360-00-00	PRIMER PUMP ASSEMBLY ...	1	
10	(601-24353-00-00)	BAND	2	

Property of www.SmallEngineDiscount.com - Not for Resale

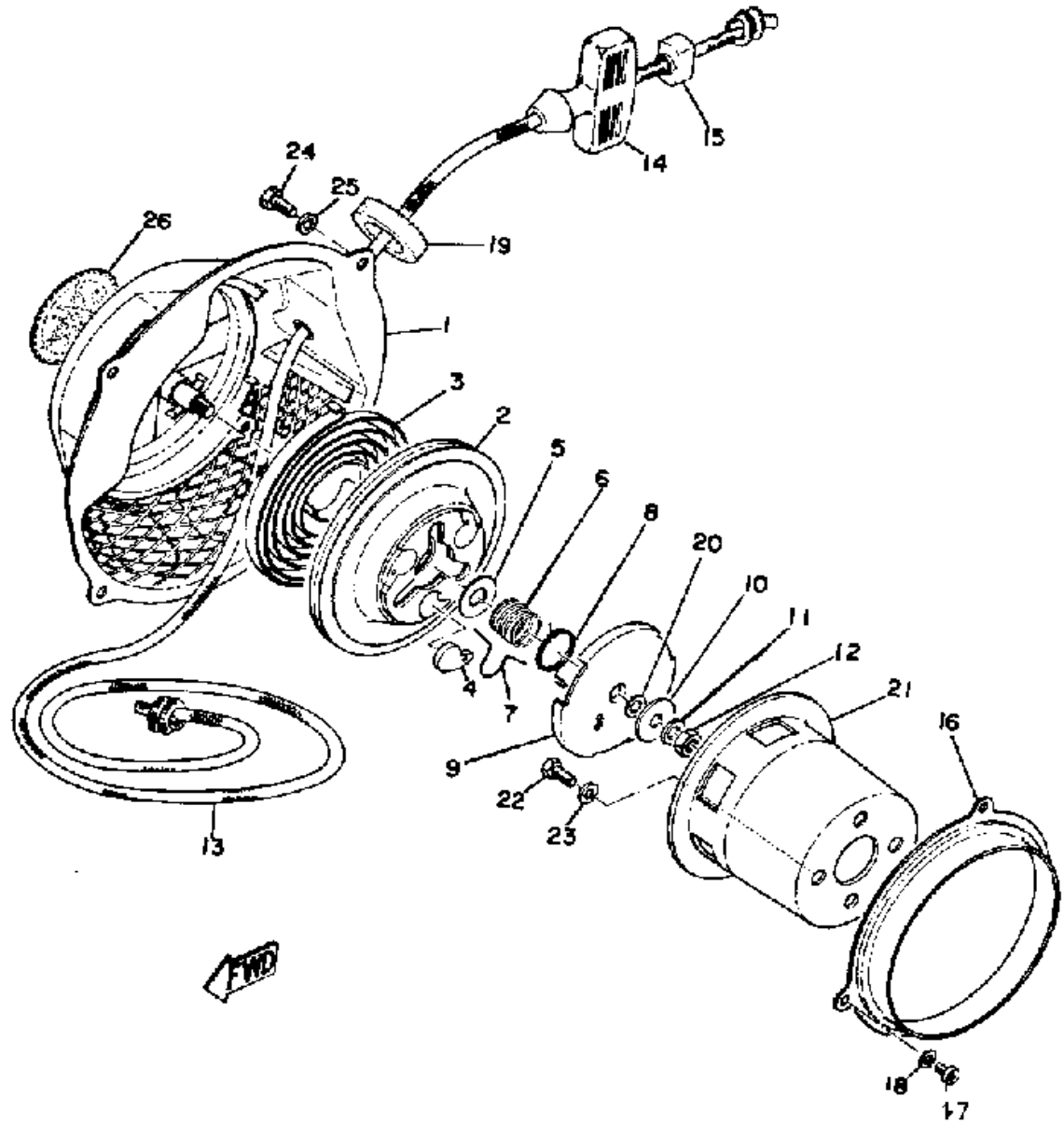
EXHAUST



Ref. No.	Part Number	Description	Qty	Remarks
1	841-14610-00-00	EXHAUST PIPE ASSEMBLY L	1	
2	821-14613-01-00	GASKET, EXHAUST PIPE	2	
3	806-14651-00-00	BOLT	4	
4	92990-08100-00	WASHER	4	
5	(844-14710-00-00)	MUFFLER ASSEMBLY L	1	
6	821-14773-00-00	SPRING, MUFFLER	2	
7	90109-08293-00	BOLT	2	
8	(812-14793-00-00)	PLATE, MUFFLER	4	
9	90501-18114-00	SPRING, COMPRESSION	4	
10	90201-10437-00	WASHER, PLATE	4	
11	(90560-08065-00)	SPACER	2	
12	92990-08100-00	WASHER	2	
13	(90201-07080-00)	WASHER, PLATE	2	
14	841-14720-01-00	MUFFLER ASSEMBLY R	1	
15	841-14718-00-00	PROTECTOR, MUFF 1	1	
16	(841-14771-02-00)	STAY, MUFFLER 1	2	
17	(841-14747-01-00)	DAMPER, MUFFLER	3	
18	90109-06023-00	BOLT	3	
19	90201-085E6-00	WASHER PLATE	4	
20	(841-14757-00-00)	DAMPER, MUFFLER 2	3	
21	841-14714-00-00	GASKET, MUFFLER	1	
22	97313-08016-00	BOLT, HEXAGON	2	
23	92990-08100-00	WASHER	2	
24	92990-08200-00	WASHER, PLAIN	2	
25	(90504-30004-00)	SPRING, COMPRESSION	1	

Property of www.SmallEngineDiscount.com - Not for Resale

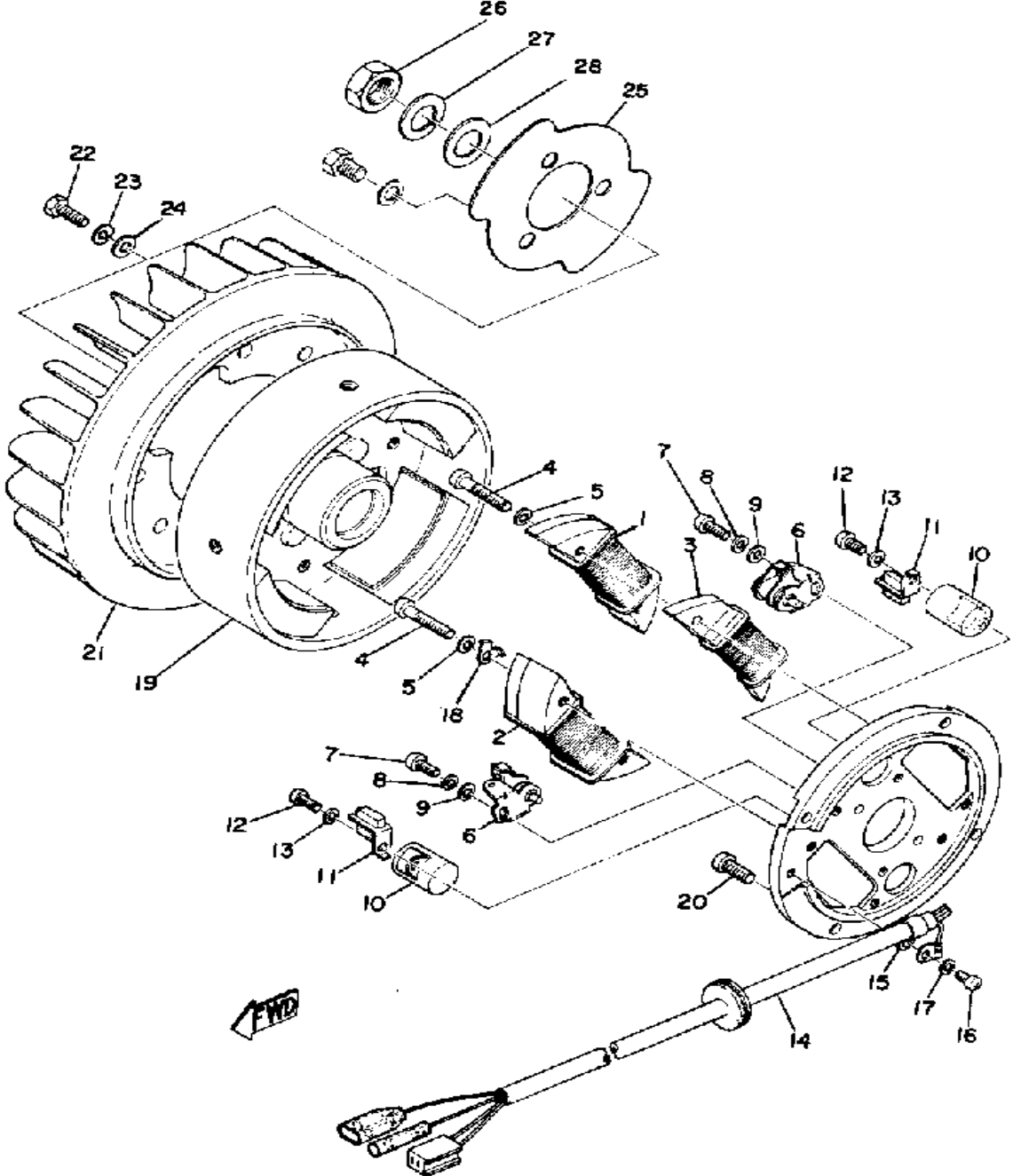
STARTER



Ref. No.	Part Number	Description	Qty	Remarks
1	(821-15711-00-00)	CASE, STARTER	1	
2	811-15714-00-00	. DRUM, SHEAVE	1	
3	8Y0-15713-00-00	. SPRING, STARTER	1	
4	616-15741-01-00	. PAWL, DRIVE	3	
5	(802-15726-00-00)	WASHER, FLAT	1	
6	626-15715-01-00	. SPRING, DRIVE PLATE (807-15715-00)	1	
7	811-15784-00-00	. SPRING, RETURN	3	
8	811-15734-00-00	. SPRING, RETURN	1	
9	811-15716-00-00	. PLATE, DRIVE	1	
10	807-15726-01-00	. WASHER, FLAT	1	
11	92990-08100-00	. WASHER	1	
12	95303-08700-00	. NUT	1	
13	(807-15751-00-00)	ROPE, STARTER	1	
14	807-15755-00-00	. HANDLE, STARTER	1	
15	619-15756-00-00	. CONNECTOR 1	1	
16	(811-15782-00-00)	COVER, SHEAVE	1	
17	98580-05010-00	. SCREW, PAN HEAD	3	
18	92990-05100-00	. WASHER, SPRING	3	
19	(811-15775-00-00)	KNOB, STOPPER RING	1	
20	(811-15722-00-00)	SHIM	1	
21	(811-15723-00-00)	PULLEY, STARTER	1	
22	97313-08018-00	BOLT, HEXAGON (97301-08016)	3	
23	92990-08100-00	WASHER	3	
24	97016-06016-00	BOLT	4	
25	92906-06100-00	WASHER, SPRING	4	
26	(838-15791-00-00)	EMBLEM	1	
-1	(821-15710-00-00)	STARTER ASSEMBLY	1	

Property of www.SmallEngineDiscount.com - Not for Resale

FLYWHEEL MAGNETO

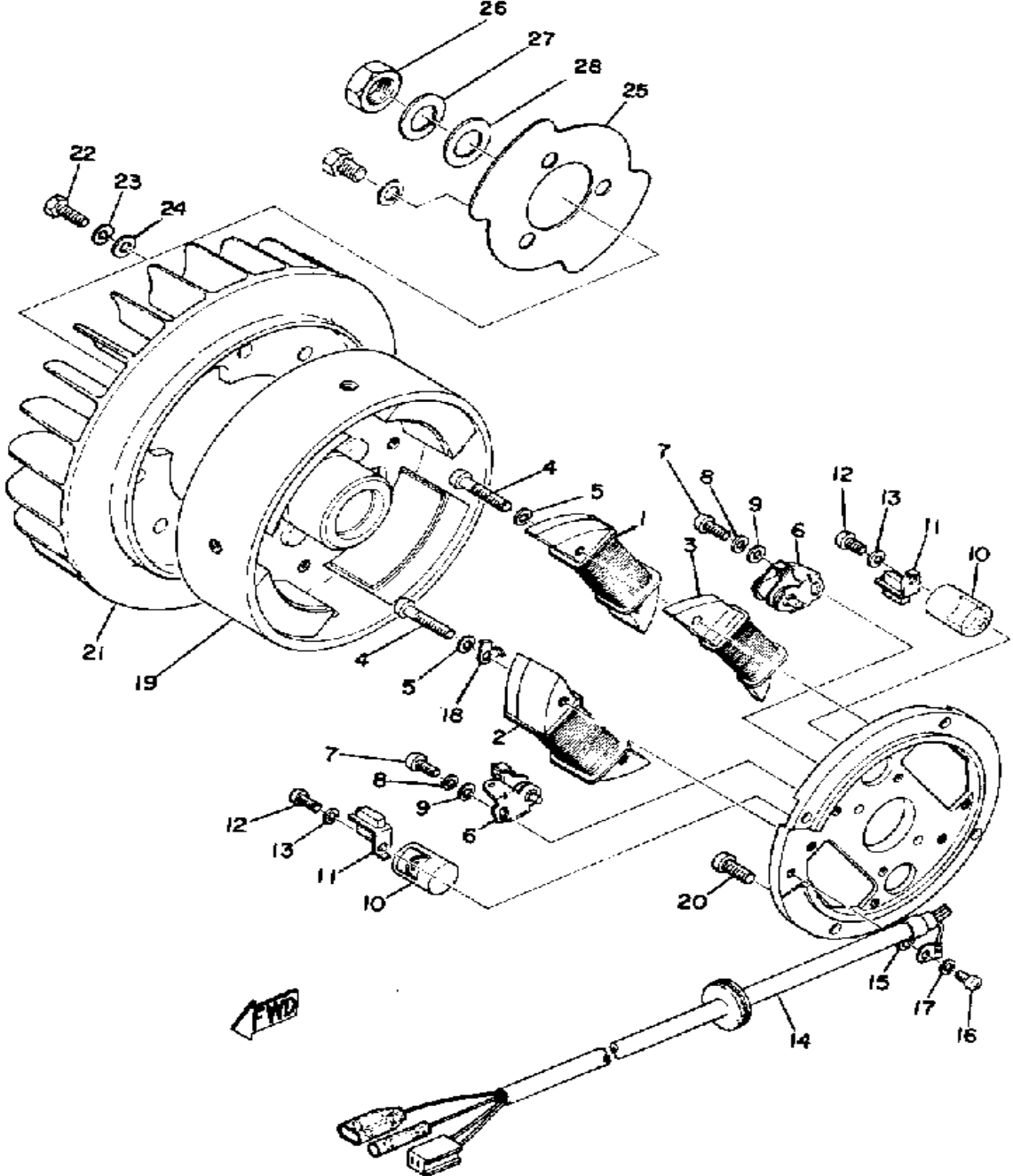


Ref. No.	Part Number	Description	Qty	Remarks
1	8A0-81312-20-00	. COIL, SOURCE	1	
2	(838-81313-20-00)	COIL, LIGHTING 1	1	
3	(838-81314-20-00)	COIL, LIGHTING 2	1	
4	802-81345-20-00	. SCREW, PAN HEAD	4	
5	92990-05100-00	. WASHER, SPRING	4	
6	806-81321-20-00	. CONTACT BRKR ASSEMBLY	2	
7	110-81346-21-00	. SCREW, PAN HEAD	2	
8	92901-04100-00	. WASHER, SPRING	2	
9	92990-04200-00	. WASHER, PLAIN	2	
10	802-81325-90-00	. CONDENSER 1	2	
11	(834-81331-20-00)	LUBRICATOR	2	
12	110-81346-21-00	. SCREW, PAN HEAD	2	
13	92901-04100-00	. WASHER, SPRING	2	
14	(838-81315-21-00)	LEAD WIRE ASSEMBLY	1	
15	104-81328-20-00	. CLAMP	1	
16	98580-04008-00	. SCREW, PAN HEAD	1	
17	92901-04100-00	. WASHER, SPRING	1	
18	(812-81332-20-00)	PLATE, TIMING	1	
19	(838-81350-20-00)	ROTOR ASSEMBLY	1	
20	98503-06014-00	SCREW, PAN HEAD (92502-06016)	4	
21	838-12611-00-00	FAN	1	
22	(90101-06004-00)	BOLT	6	
	90101-06127-00	BOLT	6	
23	92995-06100-00	WASHER, SPRING	6	
24	90201-06M08-00	WASHER, PLATE	6	
25	(812-81362-00-00)	COVER, HOLE	1	
26	90170-16182-00	NUT	1	
27	92901-16100-00	WASHER, SPRING	1	

CONTINUED ON NEXT FRAME ►

Property of www.SmallEngineDiscount.com - Not for Resale

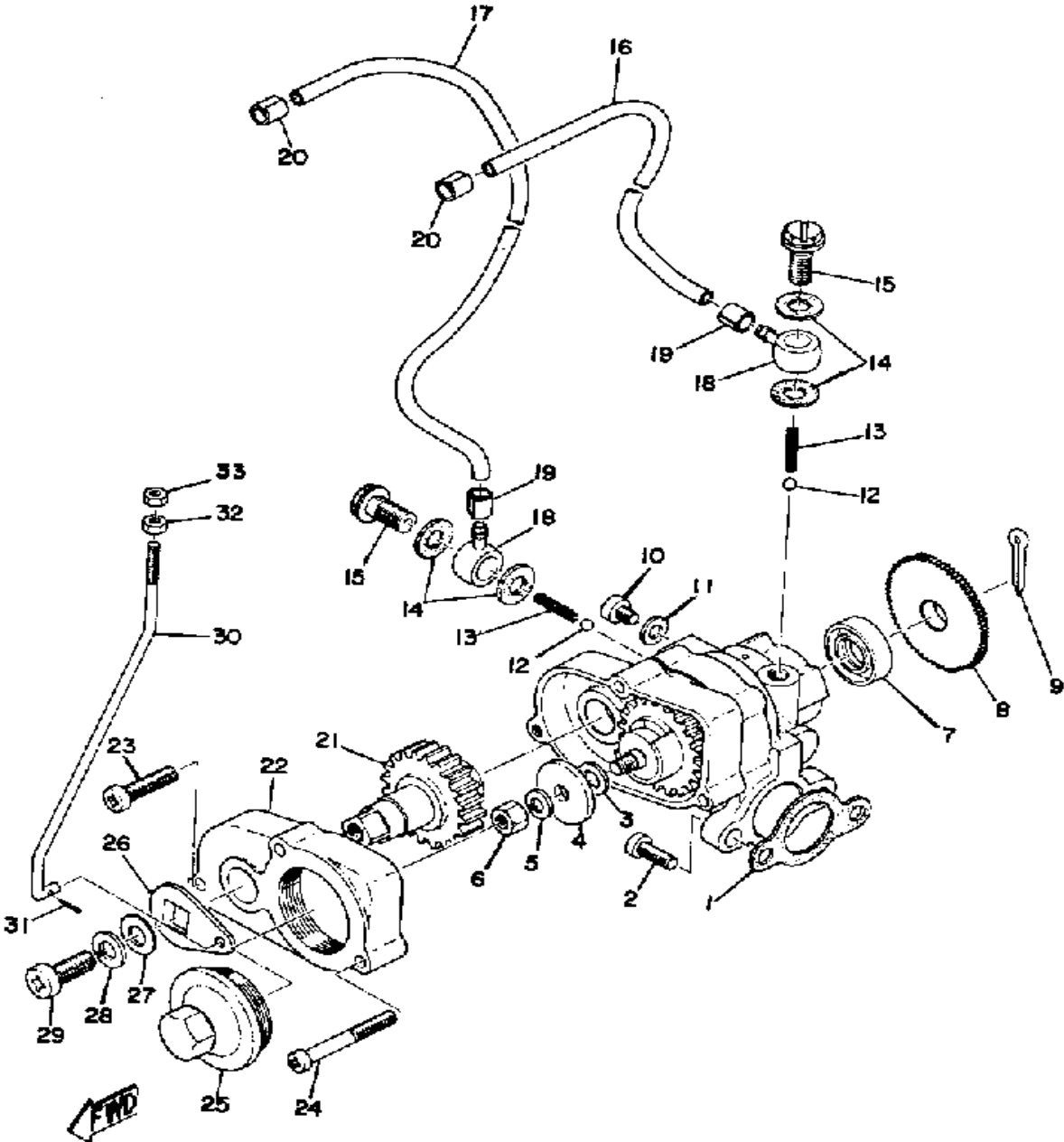
FLYWHEEL MAGNETO



Ref. No.	Part Number	Description	Qty	Remarks
28	90201-16247-00	WASHER, PLATE (807-11557-00)	1	
-1	(861-81300-20-00)	FLYWHL MAGNETO ASSEMBLY	1	

Property of www.SmallEngineDiscount.com - Not for Resale

OIL PUMP

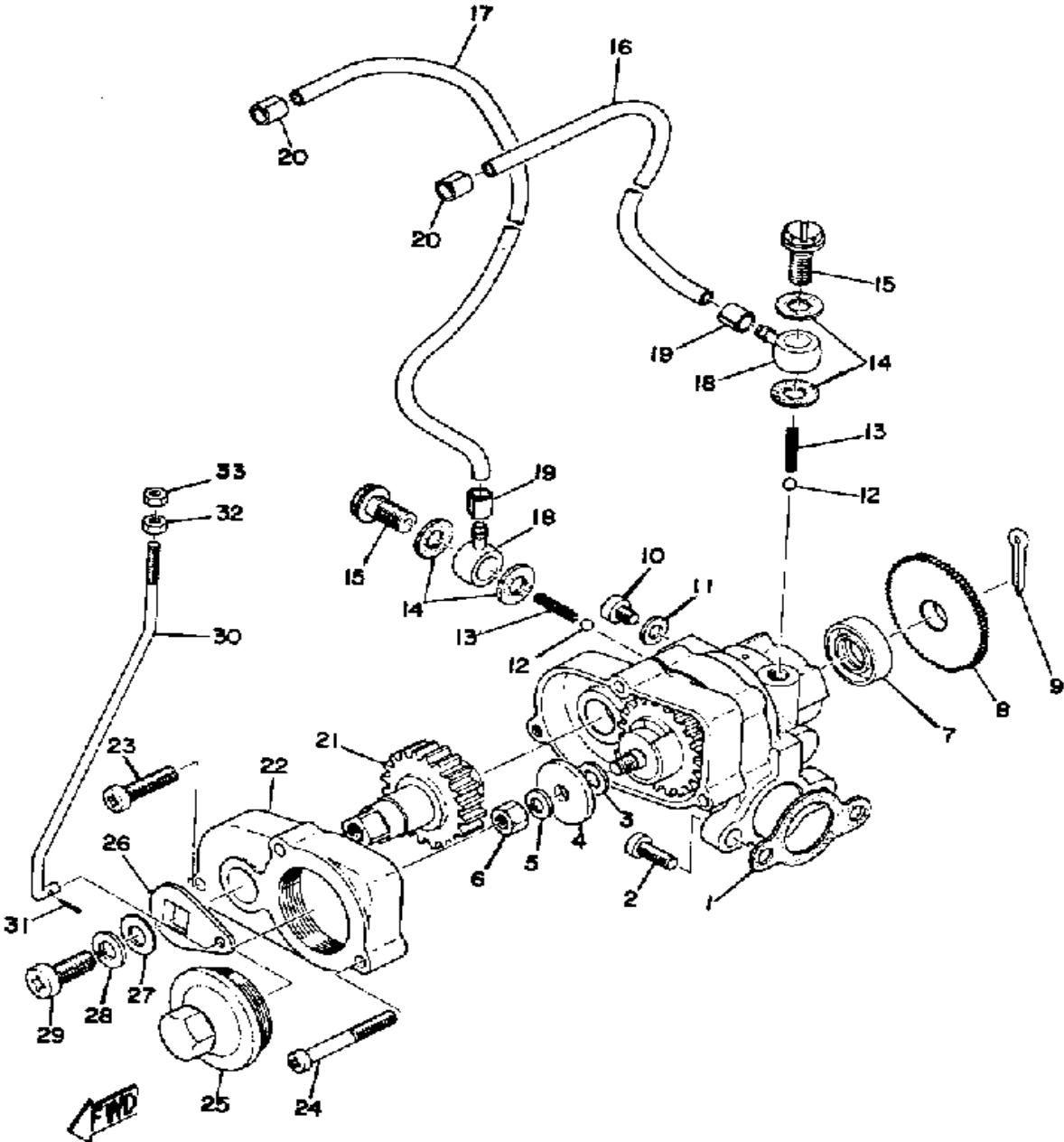


Ref. No.	Part Number	Description	Qty	Remarks
1	3MT-13116-00-00	GASKET, PUMP CASE (8Y0-13116-00)	1	
2	98580-05016-00	SCREW, PAN HEAD	2	
3	(137-13137-00-30)	SHIM, PLUNGER	1	
	137-13137-00-10	. SHIM (1.0T)	1	
4	137-13138-01-00	. PLATE, ADJUSTING	1	
5	92990-05100-00	. WASHER, SPRING	1	
6	95380-05600-00	. NUT	1	
7	93101-10090-00	. OIL SEAL	1	
8	(137-13128-00-00)	PLATE, STARTER	1	
9	91401-12018-00	. PIN, COTTER	1	
10	98901-04008-00	. SCREW, BIND	1	
11	90430-04004-00	. GASKET	1	
12	93505-32002-00	. BALL	2	
13	(90501-02017-00)	SPRING, COMPRESSION	2	
14	90430-06011-00	. GASKET	4	
15	90401-06001-00	. BOLT, UNION	2	
16	90445-05020-00	. HOSE (3-90) (807-13161-01)	1	
17	90445-05189-00	. HOSE (807-13171-01)	1	
18	214-13162-01-00	. BANJO, DLVRY PIPE	2	
19	90468-02033-00	. CLIP	2	
20	90468-02033-00	CLIP	2	
21	(838-13154-01-00)	GEAR, PUMP CONTROL	1	
22	(821-13146-00-00)	COVER, AJST PULLEY	1	
23	98511-04020-00	SCREW, PAN HEAD	1	
24	98501-04035-00	SCREW, PAN HEAD	2	
25	(807-13143-00-00)	CAP, PUMP CASE	1	
26	(812-13156-00-00)	LEVER, PUMP CONTROL	1	
27	92990-06200-00	WASHER	1	

CONTINUED ON NEXT FRAME ➤

Property of www.SmallEngineDiscount.com - Not for Resale

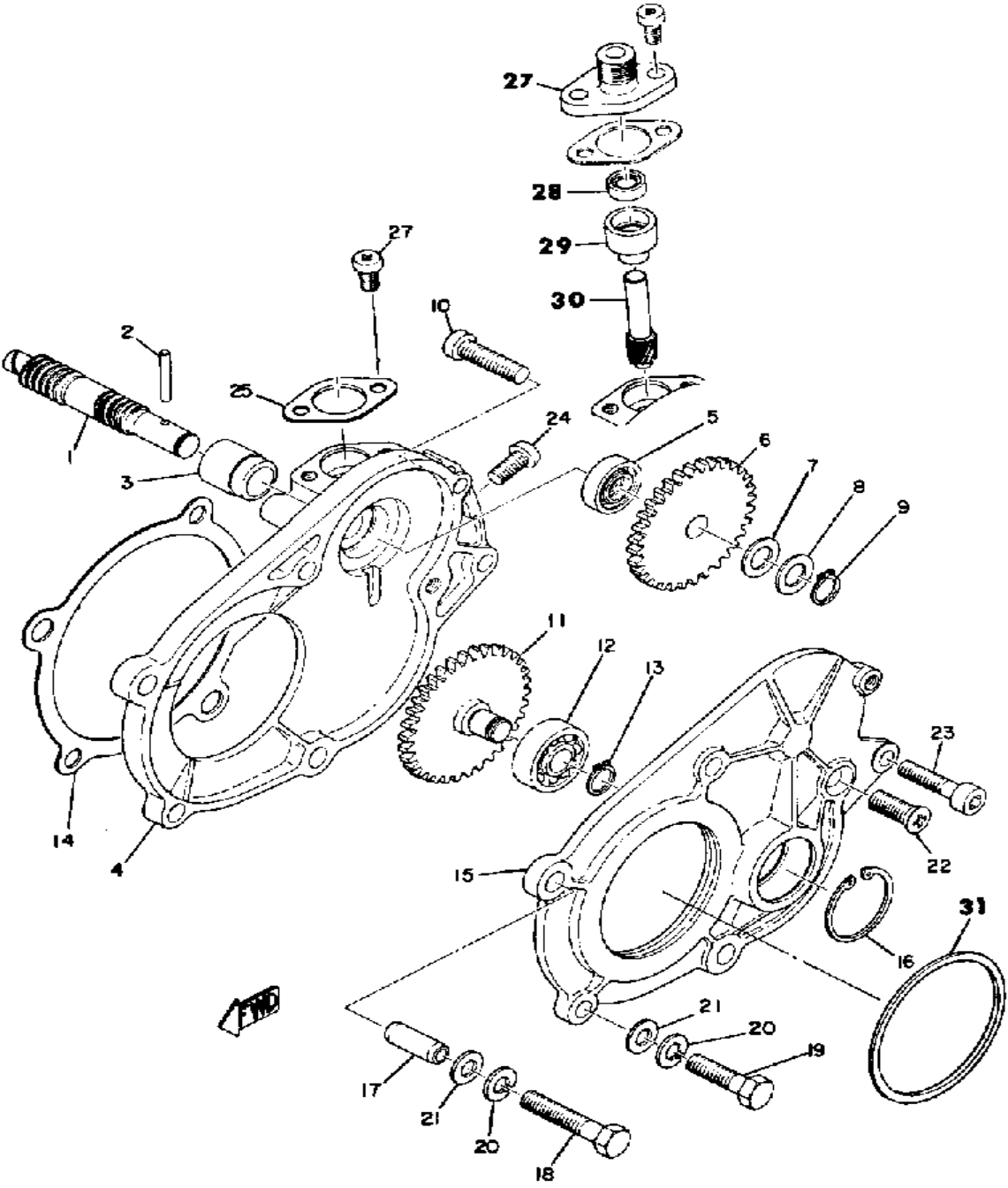
OIL PUMP



Ref. No.	Part Number	Description	Qty	Remarks
28	98501-06100-00	SCREW, PAN HEAD	1	
29	98503-06014-00	SCREW, PAN HEAD (92502-06016)	1	
30	(828-13157-00-00)	ROD, PUMP CONTROL	1	
31	91490-12012-00	PIN, COTTER	1	
32	90170-03008-00	NUT, HEXAGON (807-13139-00)	1	
33	90185-03007-00	NUT, SELF-LOCKING (838-13139-00)	1	
-1	(844-13101-00-00)	OIL PUMP ASSEMBLY	1	

Property of www.SmallEngineDiscount.com - Not for Resale

PUMP DRIVE GEAR

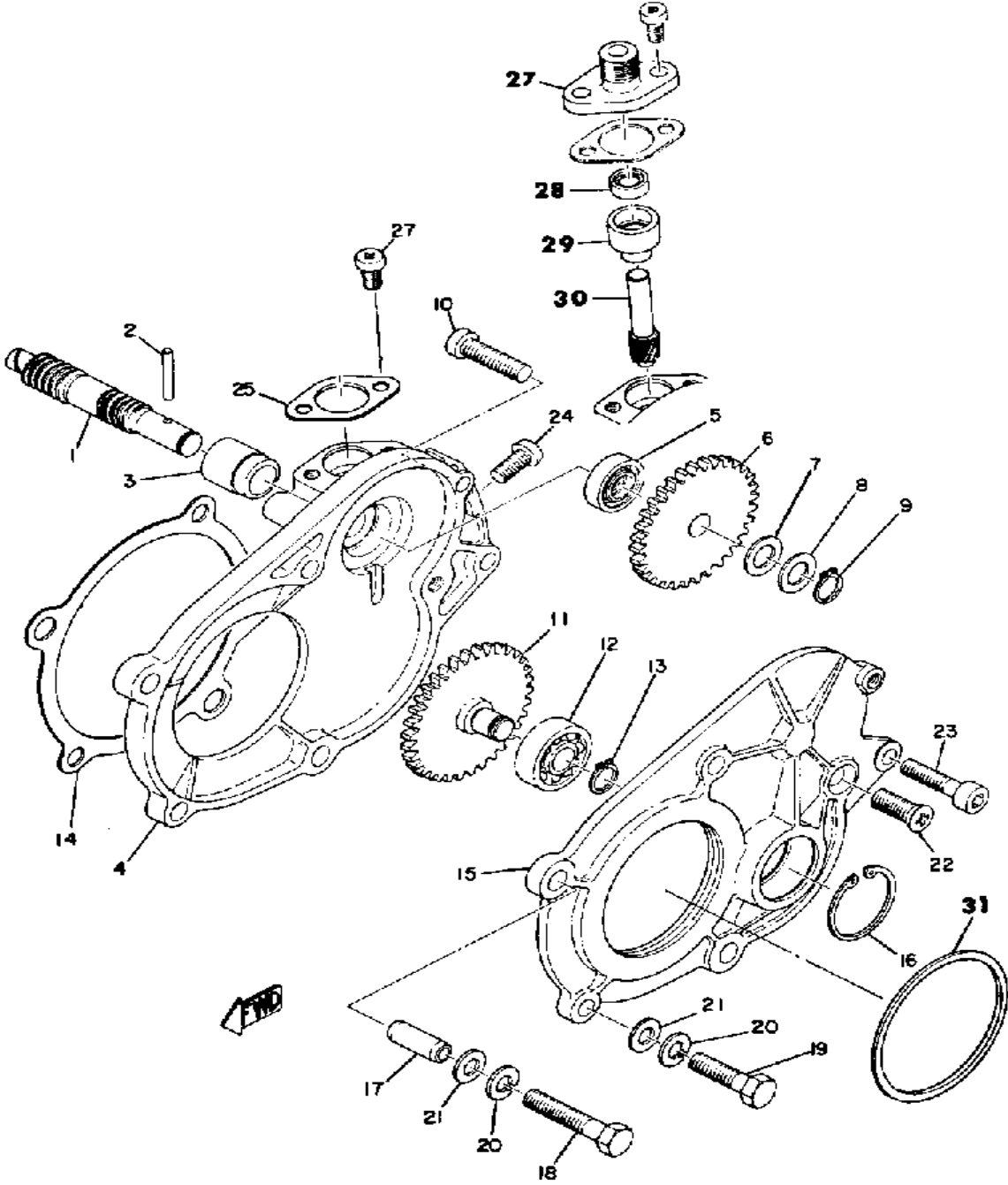


Ref. No.	Part Number	Description	Qty	Remarks
1	826-13175-00-00	SHAFT, WORM	1	
2	93603-22028-00	PIN, DOWEL	1	
3	821-13176-00-00	METAL, WORM SHAFT OUTER	1	
4	(8E3-15416-00-00)	COVER, OIL PUMP	1	
5	93101-10090-00	OIL SEAL	1	
6	821-13188-00-00	GEAR, DRIVE (32T)	1	
7	90206-11016-00	WASHER, WAVE	1	
8	137-13148-00-00	PLATE, CAM THRUST	1	
9	99009-10400-00	CIRCLIP	1	
10	98511-06025-00	SCREW PAN HEAD (92501-06025)	1	
11	(821-13179-00-00)	GEAR, IDLE	1	
12	93306-00002-00	BEARING (B6000RS)	1	
13	99009-10400-00	CIRCLIP	1	
14	838-15456-00-00	GASKET, O/PMP CVR 1	1	
15	838-15426-00-00	COVER, OIL PUMP R	1	
16	93420-26024-00	CIRCLIP, R-TYPE (R-26)	1	
17	91810-18022-00	PIN, DOWEL	2	
18	97013-06035-00	BOLT	2	
19	97011-06025-00	BOLT (97001-06025)	2	
20	92995-06100-00	WASHER, SPRING	4	
21	92990-06200-00	WASHER	5	
22	98701-06014-00	SCREW, FLAT HEAD	1	
23	91308-06025-00	BOLT, SOCKET HEAD	1	
24	98580-06012-00	SCREW, PAN HEAD	1	
25	821-17818-02-00	GASKET	1	
26	98580-05010-00	SCREW, PAN HEAD	2	
27	821-17819-00-00	CAP, HOUSING	1	
28	93104-06033-00	OIL SEAL	1	

CONTINUED ON NEXT FRAME ➤

Property of www.SmallEngineDiscount.com - Not for Resale

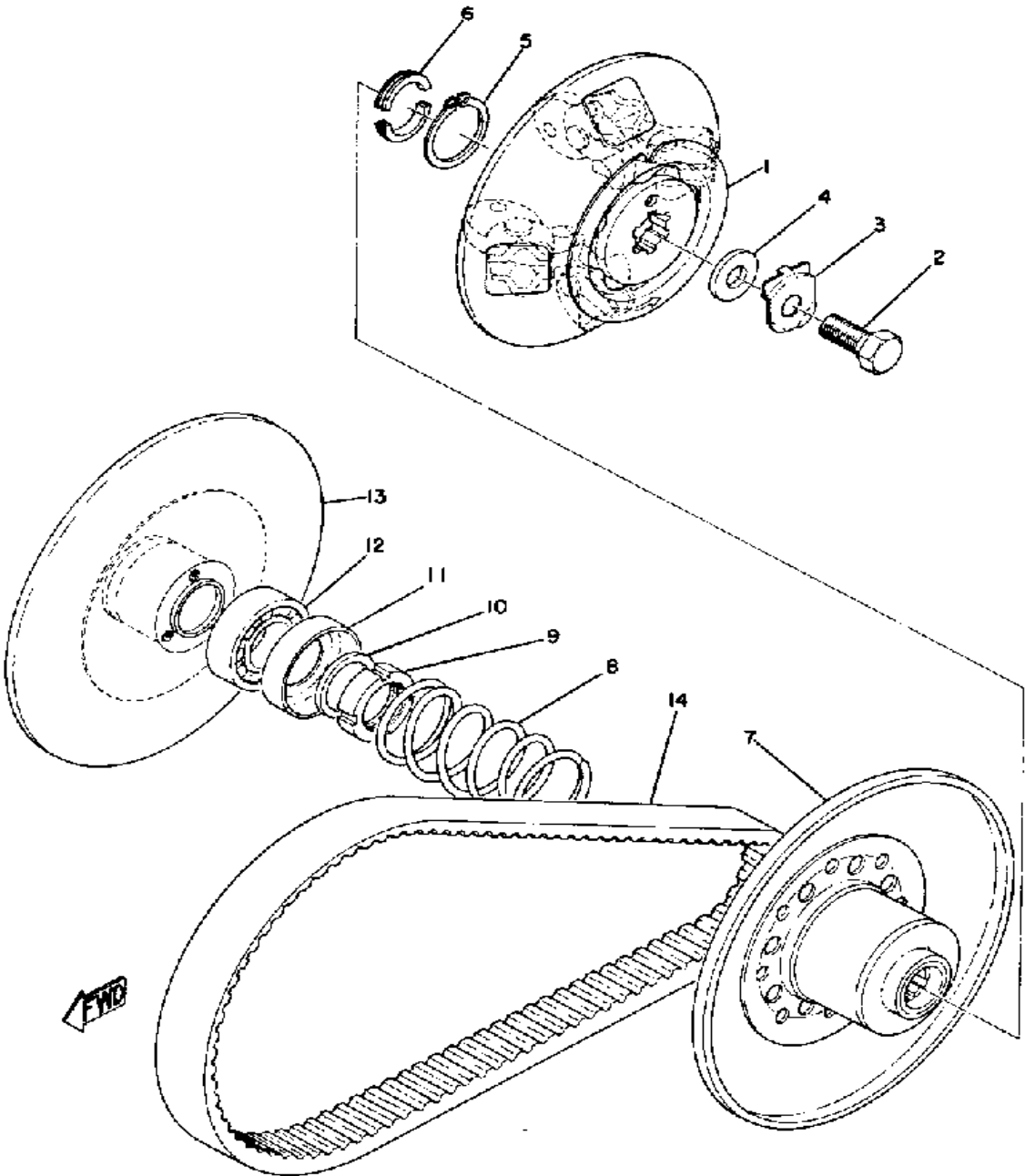
PUMP DRIVE GEAR



Ref. No.	Part Number	Description	Qty	Remarks
29	821-17843-00-00	BUSH, DRIVEN GEAR OUTER .	1	
30	813-17841-00-00	GEAR, DRIVEN (10T)	1	
31	(838-13119-00-00)	SEAL, GREASE	1	

Property of www.SmallEngineDiscount.com - Not for Resale

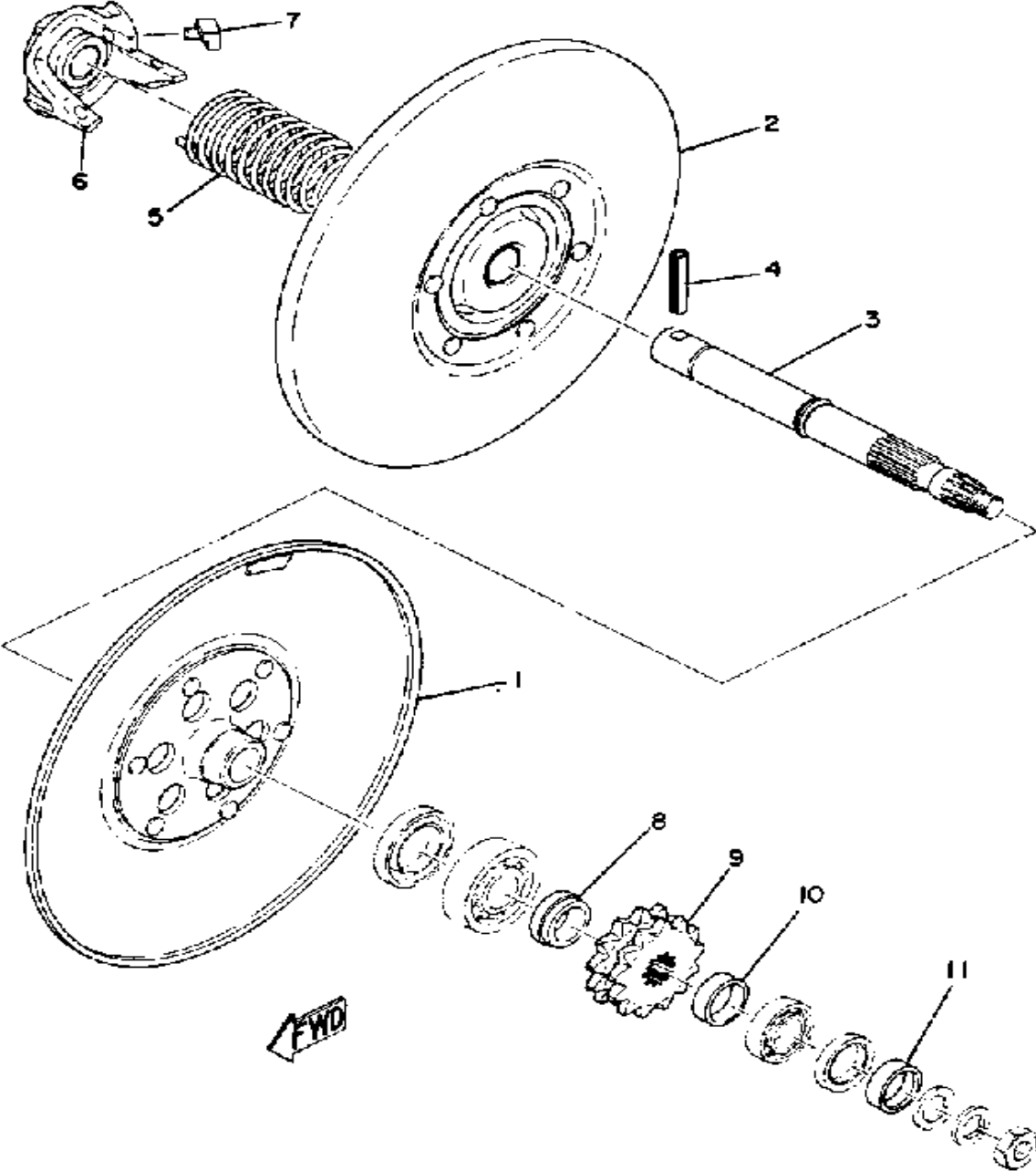
PRIMARY SHEAVE



Ref. No.	Part Number	Description	Qty	Remarks
1	810-W1760-00-00	UNAVAILABLE IN PRICE BOOK (810-17630-00)	1	
2	(838-17647-01-00)	BOLT	1	
3	90215-12084-00	WASHER, LOCK	1	
4	90201-12191-00	WASHER, PLATE	1	
5	99009-30400-00	CIRCLIP	1	
6	806-17645-00-00	COLLAR	2	
7	(810-17620-01-00)	PRI SLIDG SHEAVE	1	
8	90501-45161-00	SPRING, COMPRESSION (818-17643-00)	1	BLUE
9	90179-28088-00	NUT, BEARING (810-17642-00)	1	
10	90208-28003-00	WASHER, CONICAL SPR	1	
11	806-17644-00-00	SEAT, SPRING	1	
12	93306-20567-00	BEARING	1	
13	(821-W1761-00-00)	PRI. FIXED SHEAVE	1	
14	820-17641-00-00	V-BELT	1	

Property of www.SmallEngineDiscount.com - Not for Resale

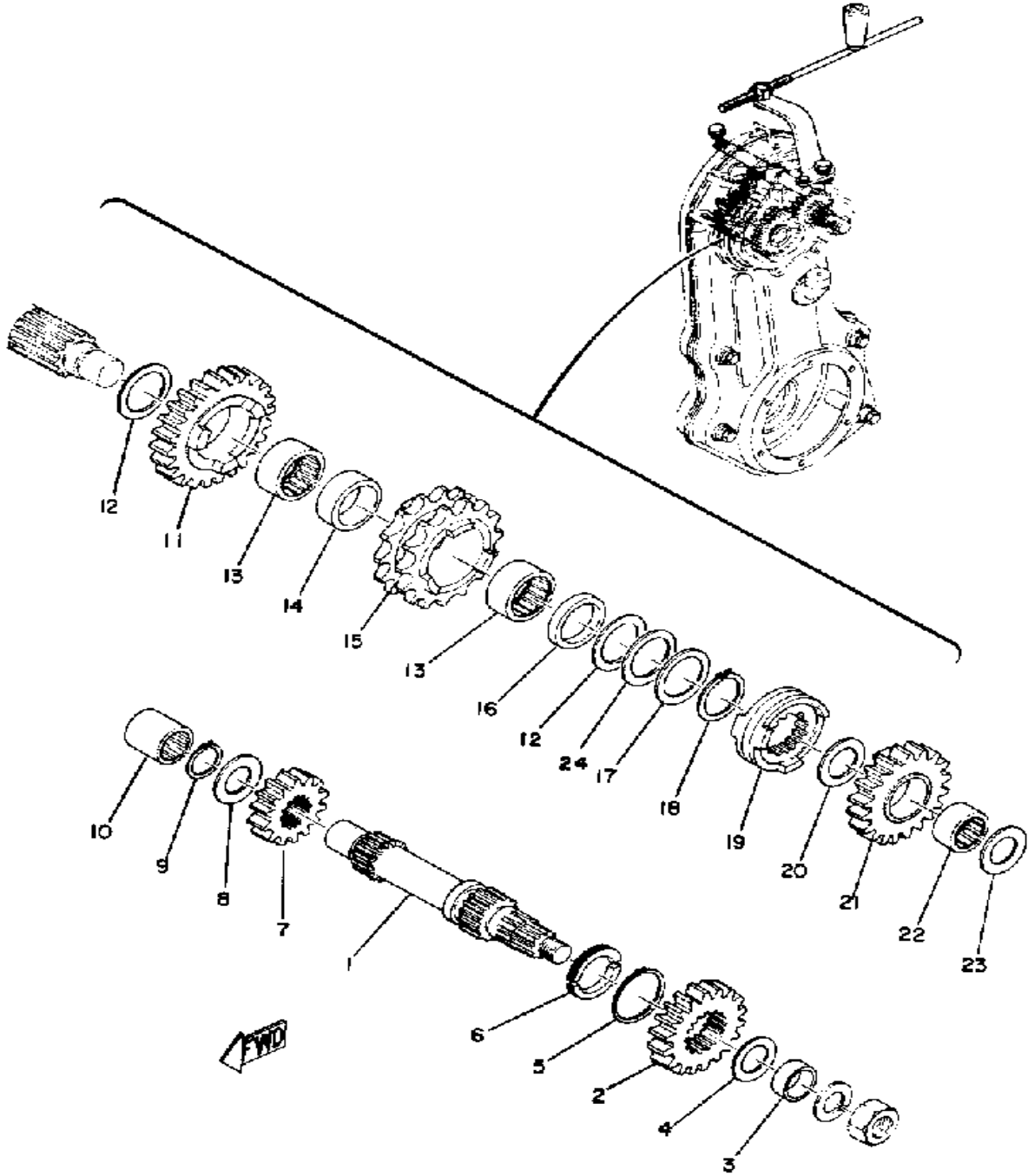
SECONDARY SHEAVE



Ref. No.	Part Number	Description	Qty	Remarks
1	(826-17660-00-00)	SEC FXD SHV	1	
2	(810-17670-00-00)	SEC SLIDING SHEAVE	1	
3	826-17681-00-00	SHAFT, SECONDARY	1	
4	90254-08001-00	PIN, SPRING TYPE	1	
5	805-17683-00-00	SPRING, SECONDARY (805-17683-00)	1	
6	810-17684-01-00	SEAT, SEC SPRINGSRING ..	1	
7	801-17688-10-00	SHOE, RAMP	3	
8	90387-19149-00	COLLAR (812-17685-00)	1	
9	(810-17682-50-00)	SPRKT, CHAIN DR 15T	1	
	802-17682-20-00	SPROCKET, CHAIN DRIVE (11T)	1	
	802-17682-40-00	SPRKT, CHAIN DR 13TCHAIN DRIVE (13T) (806-17682-30-0) .	1	
	806-17682-20-00	SPROCKET, CHAIN DRIVE (12T)	1	
	806-17682-40-00	SPROCKET, CHAIN DRIVE (14T)	1	STD
10	90387-17133-00	COLLAR	1	
11	90387-17130-00	COLLAR (818-17686-00)	1	

Property of www.SmallEngineDiscount.com - Not for Resale

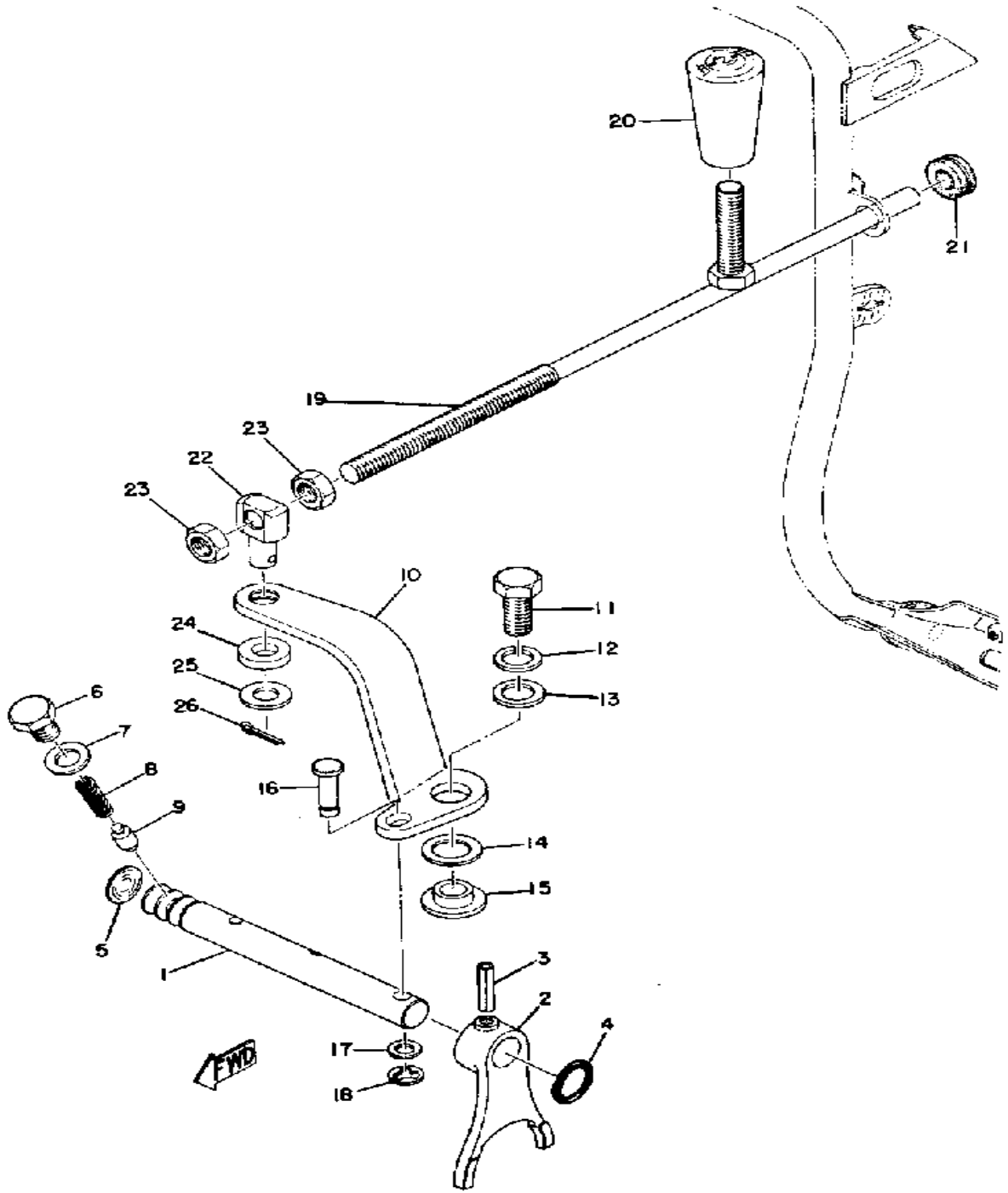
TRANSMISSION



Ref. No.	Part Number	Description	Qty	Remarks
1	838-17421-00-00	AXLE, DRIVE	1	
2	826-17221-00-00	GEAR, 2ND WHEEL	1	
3	90387-17134-00	COLLAR	1	
4	(150-17417-00-03)	SHIM 1	1	
	150-17417-00-02	SHIM 1	1	
5	99009-30400-00	CIRCLIP	1	
6	806-17645-00-00	COLLAR	2	
7	826-17231-00-00	GEAR, 3RD WHEEL	1	
8	826-17219-00-00	SHIM	1	
9	99009-15400-00	CIRCLIP	1	
10	93320-31501-00	BEARING, CYLINDER.# 0	1	
11	826-17131-00-00	GEAR, 3RD PINION	1	
12	826-17229-00-00	SHIM	2	
13	93315-22414-00	BEARING, CYLINDER.# 5	2	
14	90387-24183-00	COLLAR	1	
15	(826-17682-50-00)	SPRKT, CHAIN DR 15T	1	U.R.
	826-17682-40-00	SPRKT, CHAIN DR 14T	1	U.R.
16	(90387-24182-00)	COLLAR	1	
17	826-17238-00-00	SHIM 3	1	
18	99009-24400-00	CIRCLIP, S-TYPE	1	
19	826-17492-00-00	DOG, TRANS SHIFT	1	
20	90201-187E2-00	WASHER, PLATE	1	
21	826-17121-00-00	GEAR, 2ND PINION	1	
22	93315-21813-00	BEARING	1	
23	136-17417-00-10	SHIM 1	1	
24	626-45577-00-03	SHIM (T:0.30MM)	1	
	626-45577-00-05	SHIM (T:0.50MM)	1	

Property of www.SmallEngineDiscount.com - Not for Resale

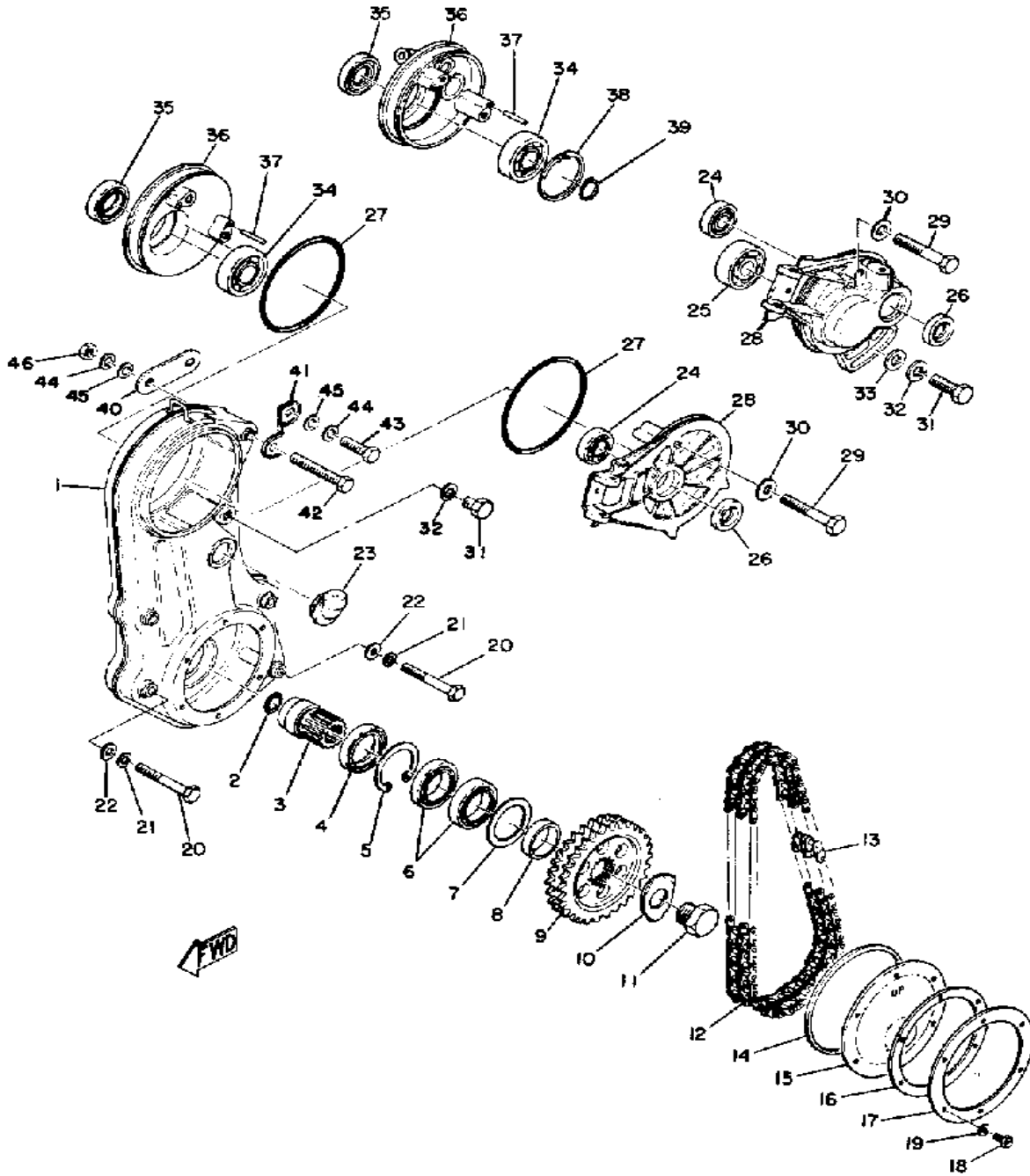
SHIFTER



Ref. No.	Part Number	Description	Qty	Remarks
1	(826-18531-00-00)	BAR, SHIF FRK GDE 1	1	
2	826-18511-01-00	FORK, SHIFT 1	1	
3	91609-40020-00	PIN, SPRING	1	
4	93210-12014-00	O-RING	1	
5	(90330-16002-00)	PLUG, EXPANSION	1	
6	97301-08010-00	BOLT, HEXAGON	1	
7	90430-08023-00	GASKET	1	
8	90501-10060-00	SPRING, COMPRESSION	1	
9	90249-07004-00	PIN, SPEC"L SHAPE	1	
10	(843-18198-00-00)	LEVER	1	
11	97313-08018-00	BOLT, HEXAGON (97301-08016)	1	
12	92990-08100-00	WASHER	1	
13	90206-12074-00	WASHER, WAVE	1	
14	(90560-08065-00)	SPACER	1	
15	90560-08067-00	SPACER	1	
16	(90249-06019-00)	PIN, SPEC"L SHAPE	1	
17	92990-06200-00	WASHER	1	
18	93430-05011-00	CIRCLIP	1	
19	(843-18115-00-00)	ROD, SHIFT	1	
20	(843-18199-00-00)	KNOB, CHANGE	1	
21	90480-12237-00	GROMMET	1	
22	90249-07011-00	PIN, SPEC"L SHAPE	1	
23	95303-08700-00	NUT	2	
24	(90202-08018-00)	WASHER, PLATE	1	
25	92990-08200-00	WASHER, PLAIN	1	
26	91401-25020-00	PIN, COTTER	1	

Property of www.SmallEngineDiscount.com - Not for Resale

TRACK DRIVE

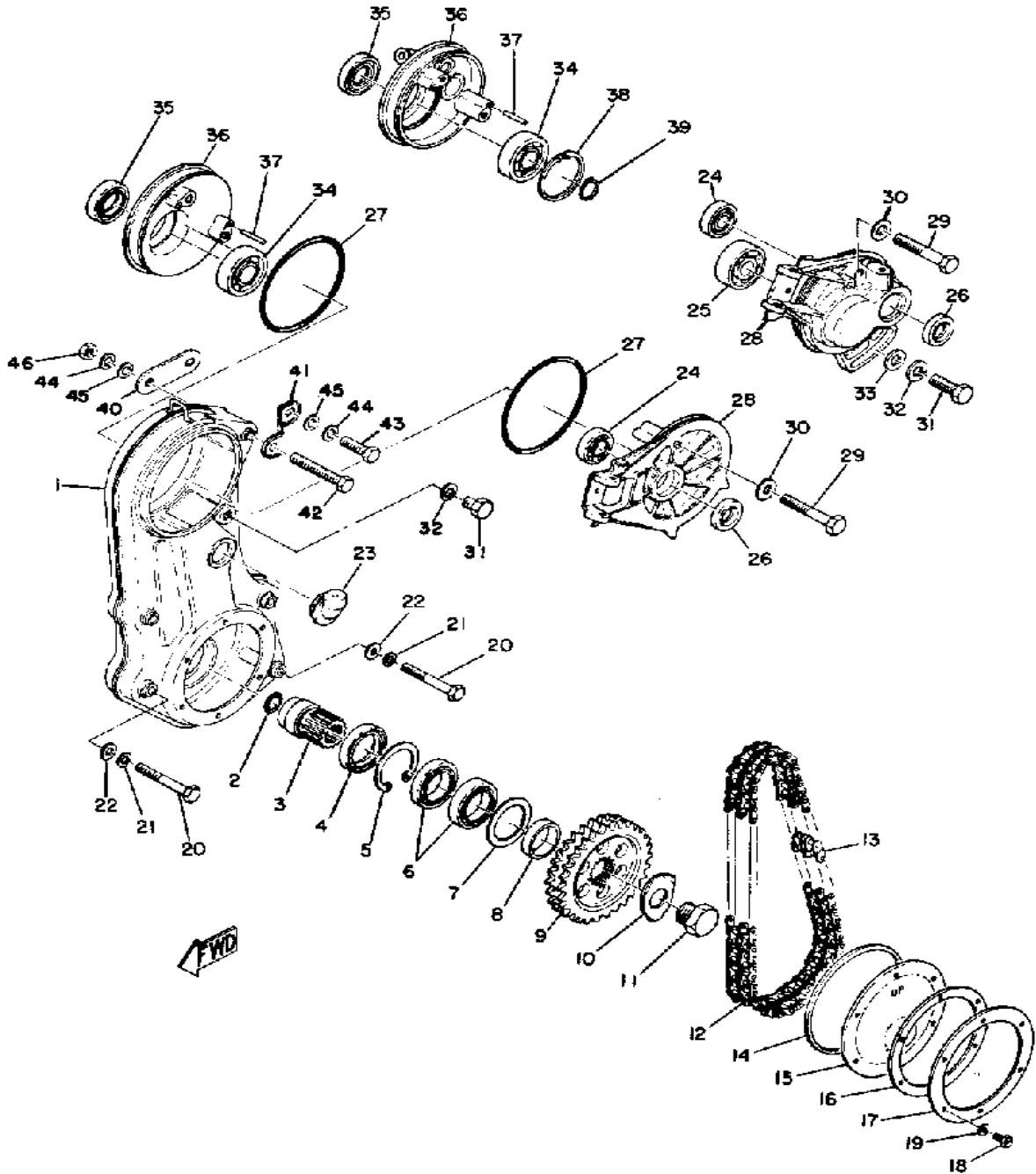


Ref. No.	Part Number	Description	Qty	Remarks
1	(844-47541-00-00)	HOUSING, CHAIN	1	
2	93210-25070-00	O-RING	1	
3	(841-47571-00-00)	JOURNAL 1	1	
4	93102-40080-00	OIL SEAL, SD-TYPE	1	
5	93420-55028-00	CIRCLIP, R-TYPE	1	
6	93306-90702-00	BEARING	2	
7	90560-35050-00	SPACER	1	
8	90387-35206-00	COLLAR	1	
9	(802-47548-40-00)	SPROCKET, CHN DRVN	1	
	(802-47548-60-00)	SPROCKET, CHN DRVN	1	STD
	802-47548-50-00	SPROCKET, CHN DRVN	1	
10	90215-24029-00	WASHER, LOCK	1	
11	90109-24203-00	BOLT	1	
12	94804-25068-00	CHAIN	1	
13	94904-25001-00	. JOINT CHAIN	1	
14	(806-47558-00-00)	RING, HOUSING	1	
15	(821-47543-00-00)	CAP, HOUSING	1	
16	821-47544-00-00	GASKET	1	
17	(821-47591-00-00)	PLATE	1	
18	90143-05004-00	SCREW, HEXAGON	6	
19	90210-05005-00	WASHER, SEAL	6	
20	97021-08070-00	BOLT	4	
21	92990-08100-00	WASHER	4	
22	92903-08200-00	WASHER, PLAIN	4	
23	(861-47559-00-00)	CAP 2	1	
24	93306-30302-00	BEARING	1	
25	93102-22087-00	OIL SEAL	1	
26	93211-13109-00	O-RING	2	
27	(8A4-47561-00-00)	HOUSING, SEC SHAFT	1	

CONTINUED ON NEXT FRAME ►

Property of www.SmallEngineDiscount.com - Not for Resale

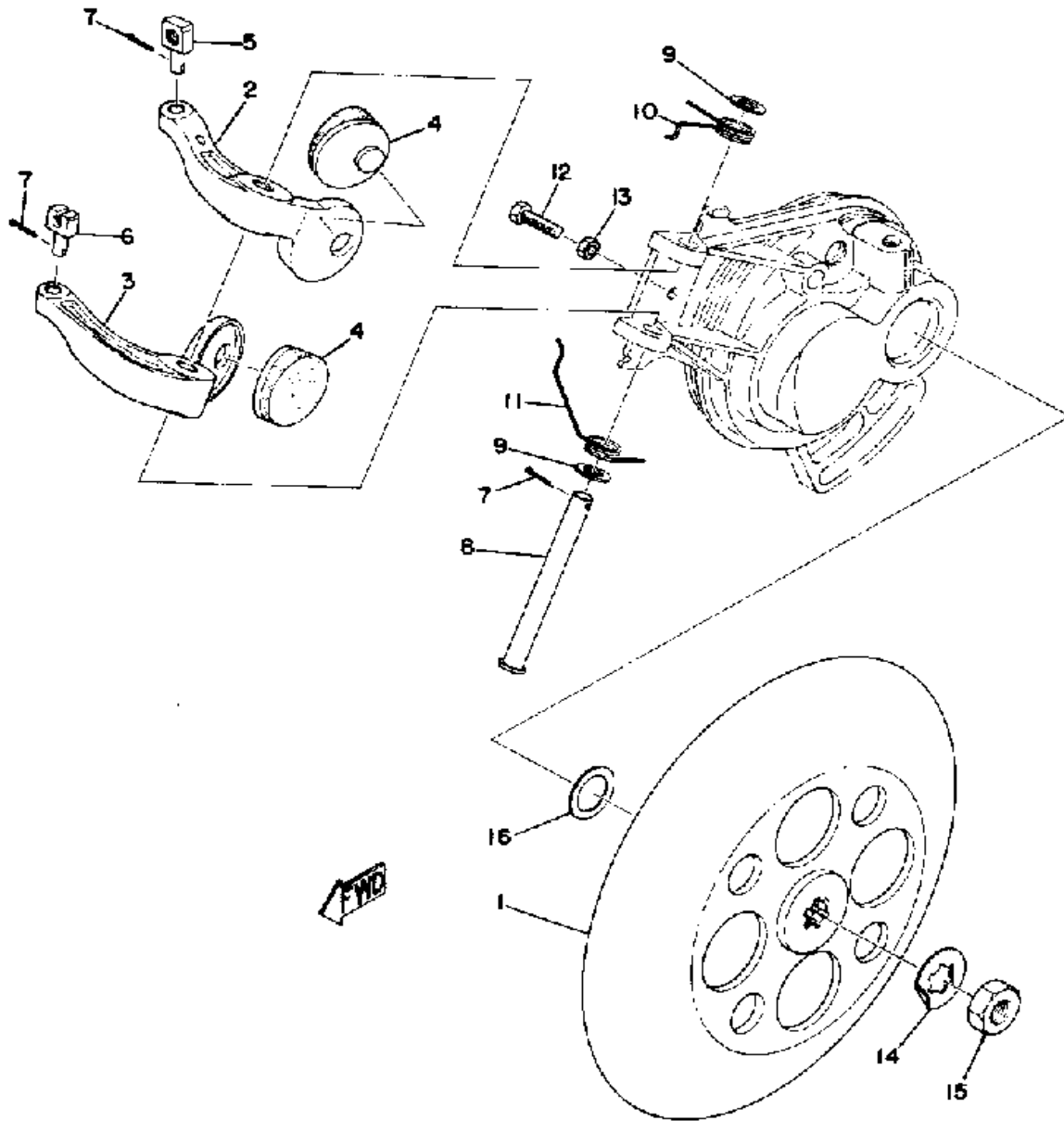
TRACK DRIVE



Ref. No.	Part Number	Description	Qty	Remarks
28	97013-08075-00	BOLT	2	
29	90210-08002-00	WASHER, SEAL	2	
30	97313-08020-00	BOLT, HEXAGON	1	
31	92990-08100-00	WASHER	1	
32	92990-08200-00	WASHER, PLAIN	1	
33	93306-20622-00	BEARING	1	
34	93102-35056-00	OIL SEAL, SD-TYPE	1	
35	838-47562-01-00	HOUSING, SEC SHAFT	1	
36	93604-18058-00	PIN, DOWEL	2	
37	93420-62070-00	CIRCLIP 54G	1	
38	99009-30400-00	CIRCLIP	1	
39	(841-47565-00-00)	STAY 1	1	
	(844-47565-00-00)	STAY 1	1	
40	(841-47566-00-00)	STAY 2	1	
	(861-47559-00-00)	CAP 2	1	
41	97021-08070-00	BOLT	1	
42	97313-08035-00	BOLT, HEXAGON	1	
43	92990-08100-00	WASHER	2	
44	92990-08200-00	WASHER, PLAIN	2	
45	95333-08600-00	NUT	1	

Property of www.SmallEngineDiscount.com - Not for Resale

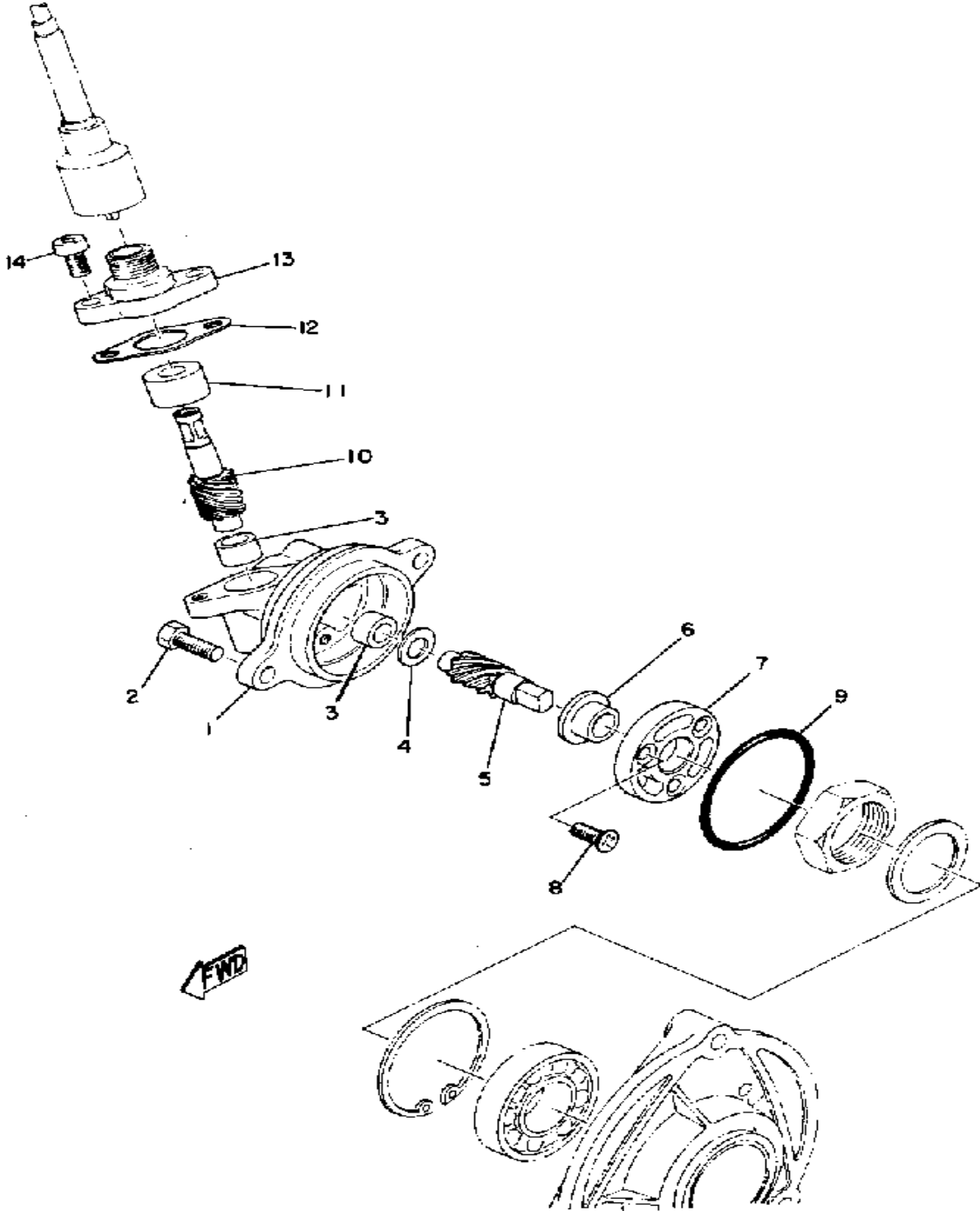
BRAKE



Ref. No.	Part Number	Description	Qty	Remarks
1	838-25711-00-00	DISC, BRAKE	1	
2	838-25740-00-00	PAD, CALIPER (R.H.)	1	
3	838-25731-00-00	BODY, CALIPER 1	1	
4	(826-25732-09-00)	PAD, CALIPER	2	
5	90249-06012-00	PIN	1	
6	90249-06009-00	PIN	1	
7	91490-20020-00	PIN, COTTER	3	
8	90240-08023-00	PIN, CLEVIS	1	
9	92990-08200-00	WASHER, PLAIN	2	
10	(90508-29045-00)	SPRING, TORSION	1	
11	(90508-29046-00)	SPRING, TORSION	1	
12	97021-05020-00	BOLT	1	
13	95311-05700-00	NUT	1	
14	90215-13018-00	WASHER, LOCK	1	
15	90179-12017-00	NUT, SPEC'L SHAPE	1	
16	(150-17417-00-03)	SHIM 1	1	
	150-17417-00-02	SHIM 1	1	

Property of www.SmallEngineDiscount.com - Not for Resale

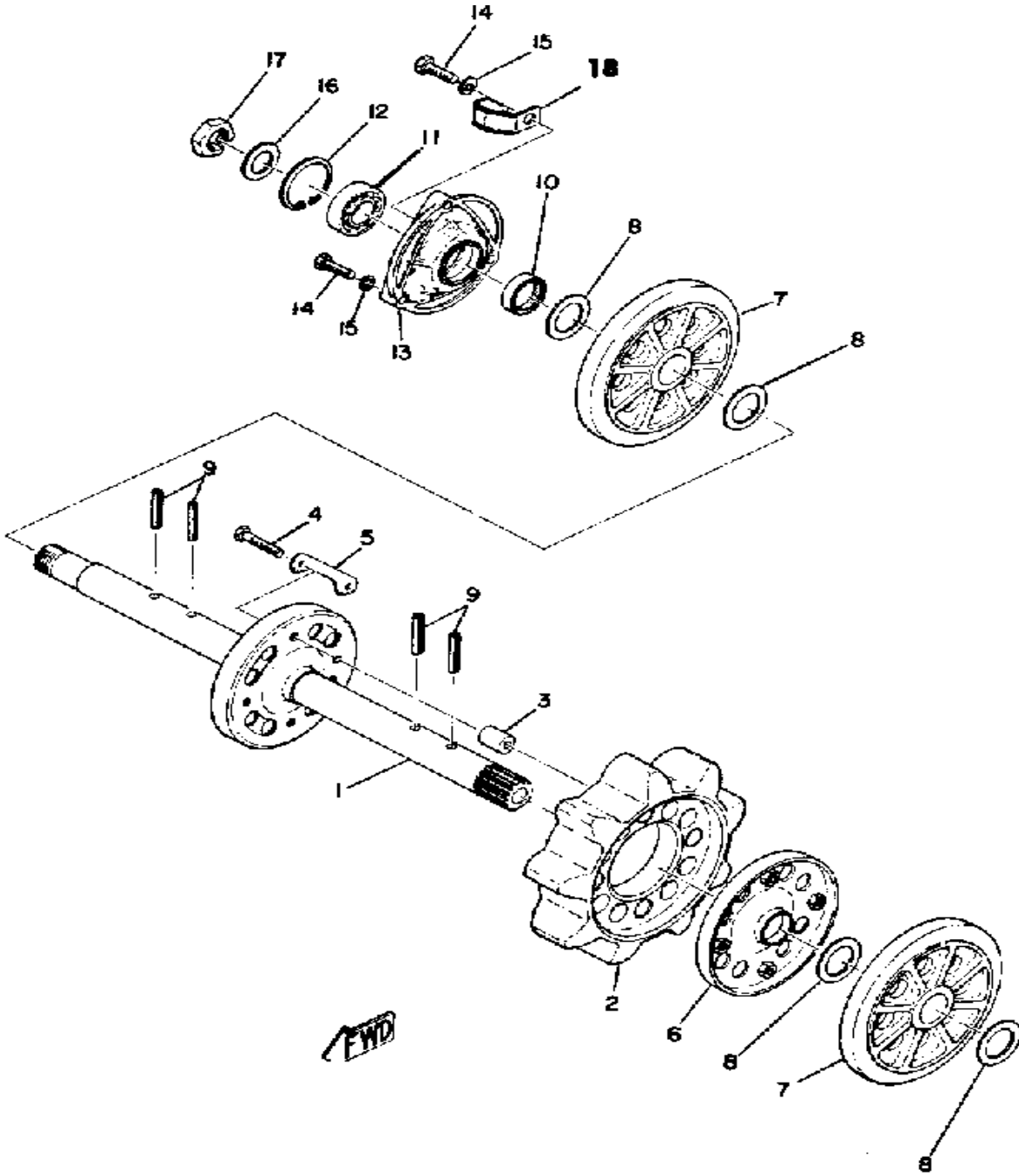
SPEEDOMETER GEAR UNIT



Ref. No.	Part Number	Description	Qty	Remarks
1	8E6-47711-10-00	HOUSING	1	
2	97313-06016-00	BOLT, HEXAGON	2	
3	(90380-08002-00)	BUSH, SOLID	2	
4	810-47717-10-00	SHIM	1	
5	810-47731-11-00	GEAR, DRIVE	1	
6	90381-10003-00	BUSH, SOLID	1	
7	853-47712-10-00	JOURNAL	1	
8	98701-04012-00	SCREW, FLAT HEAD	3	
9	93210-43141-00	O-RING	1	
10	810-47741-11-00	GEAR, DRIVEN (810-47741-10)	1	
11	90380-08005-00	BUSH, SOLID	1	
12	810-47727-10-00	GASKET	1	
13	8E3-47721-10-00	COVER, HOUSING	1	
14	98580-05012-00	SCREW, PAN HEAD	2	

Property of www.SmallEngineDiscount.com - Not for Resale

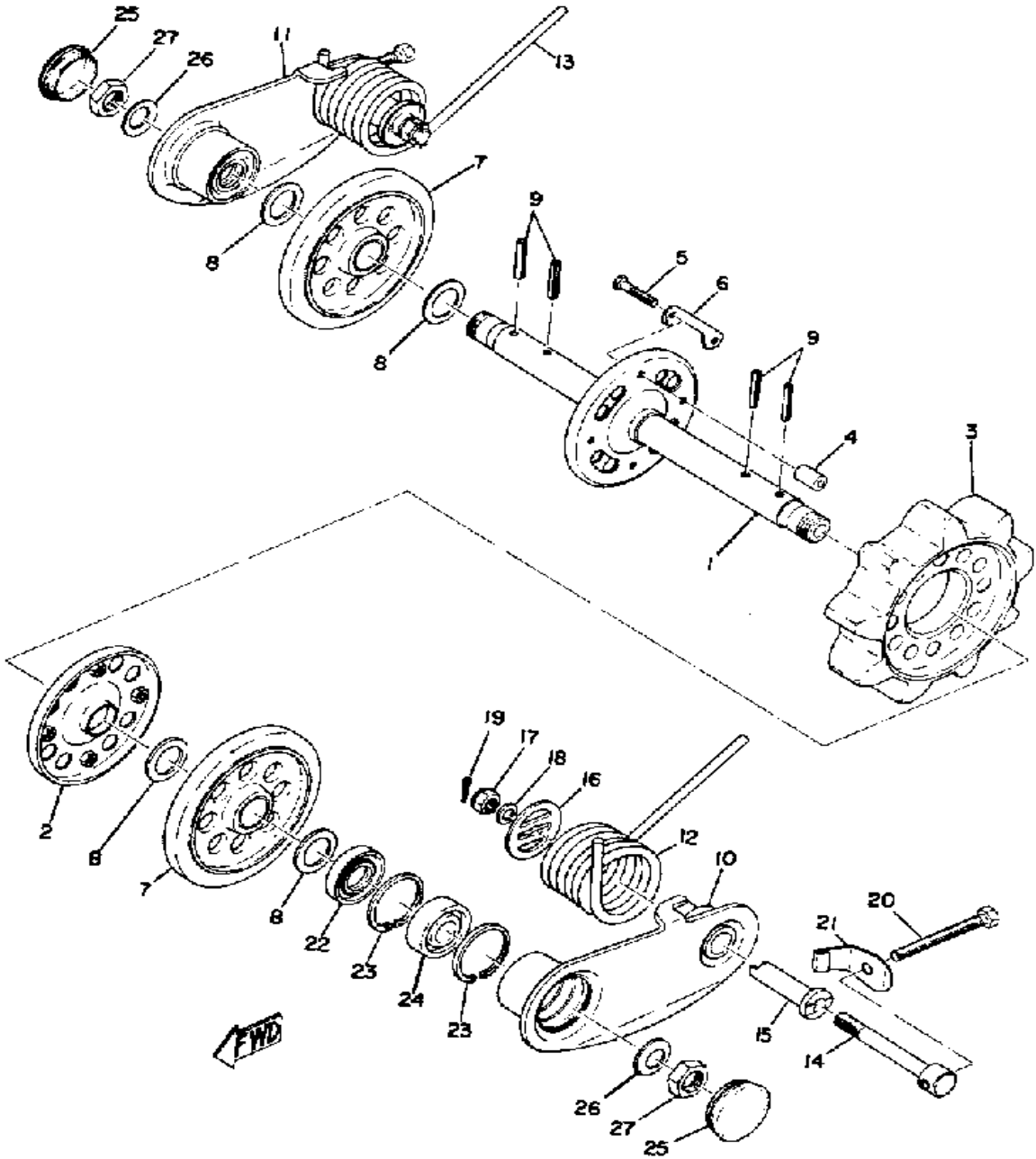
FRONT AXLE



Ref. No.	Part Number	Description	Qty	Remarks
1	821-47510-00-00	FRONT AXLE	1	
2	810-47532-00-00	WHEEL, SPROCKET 2	1	
3	(90387-06021-00)	COLLAR	4	
4	97013-06035-00	BOLT	4	
5	90215-06100-00	WASHER, LOCK	2	
6	(810-47522-00-00)	RIM, SPROCKET WHL 2	1	
7	810-47530-00-00	GUIDE WHEEL	2	
8	90201-25499-00	WASHER, PLATE	4	
9	91609-60036-00	PIN, SPRING	4	
10	93102-25084-00	OIL SEAL, SD-TYPE	1	
11	93306-00412-00	BEARING	1	
12	93420-44029-00	CIRCLIP, R-TYPE	1	
13	841-47551-00-00	HOUSING, FRONT AXLE	1	
14	97013-08025-00	BOLT	3	
15	92990-08100-00	WASHER	3	
16	90208-22001-00	WASHER, CONICAL SPRING ..	1	
17	90170-22094-00	NUT	1	
18	90465-06100-00	CLAMP	1	

Property of www.SmallEngineDiscount.com - Not for Resale

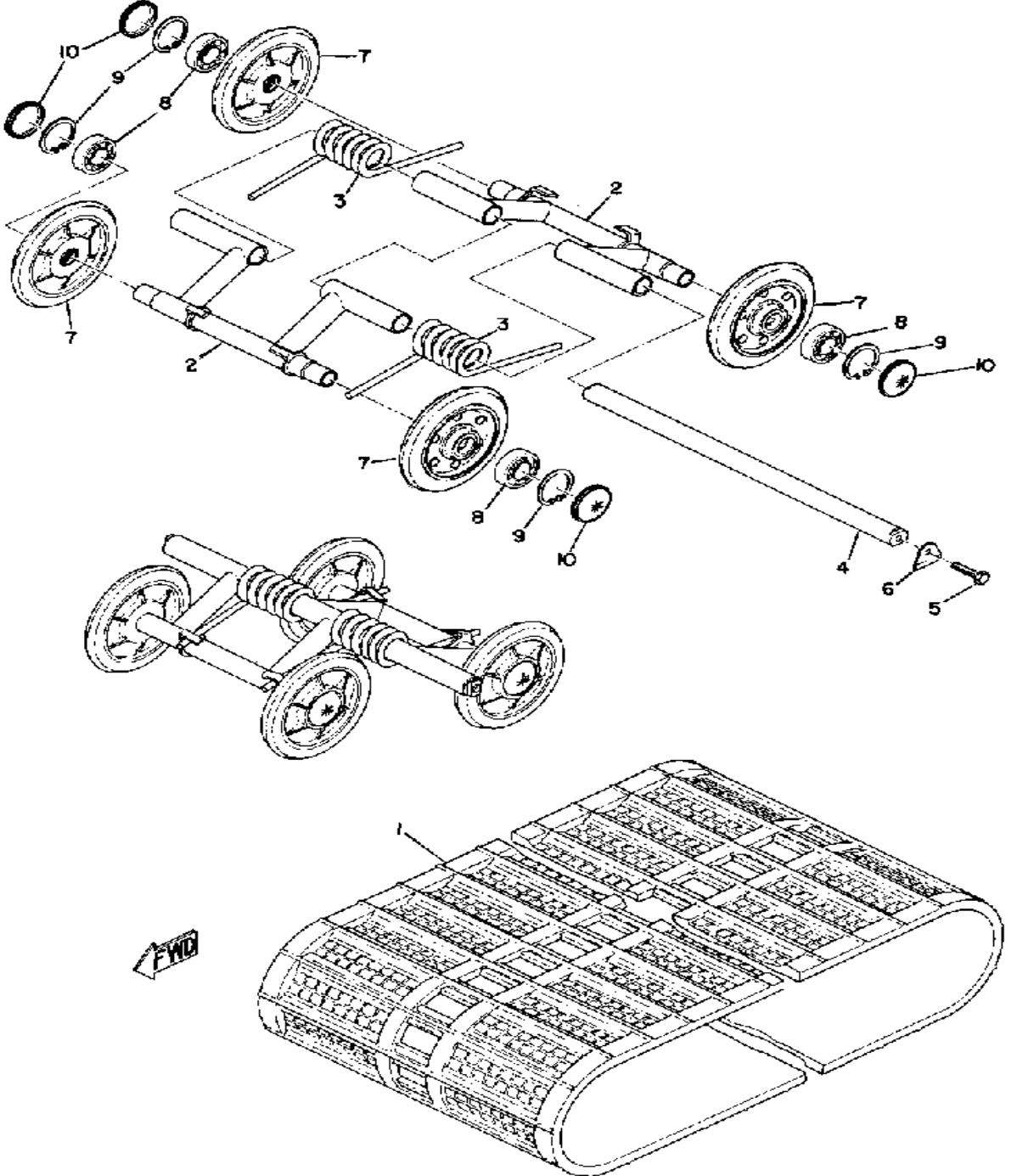
REAR AXLE



Ref. No.	Part Number	Description	Qty	Remarks
1	821-47520-00-00	REAR AXLE	1	
2	(810-47522-00-00)	RIM, SPROCKET WHL 2	1	
3	810-47532-00-00	WHEEL, SPROCKET 2	1	
4	(90387-06021-00)	COLLAR	4	
5	97013-06035-00	BOLT	4	
6	90215-06100-00	WASHER, LOCK	2	
7	810-47530-00-00	GUIDE WHEEL	2	
8	90201-25499-00	WASHER, PLATE	4	
9	91609-60036-00	PIN, SPRING	4	
10	(810-47361-00-00)	ARM, REAR PIVOT 1	1	
11	810-47362-00-00	ARM, REAR PIVOT 2	1	
12	(90508-75086-00)	SPRING, TORSION	1	
13	90508-75116-00	SPRING, TORSION	1	
14	90149-08022-00	SCREW, SPEC'L SHAPE	2	
15	810-47369-00-00	COLLAR	2	
16	90209-08067-00	WASHER, SPEC'L SHAP	2	
17	90185-08089-00	NUT, SELF-LOCKING	2	
18	92990-08200-00	WASHER, PLAIN	2	
19	91401-30030-00	PIN, COTTER	2	
20	90106-08050-00	BOLT, DOME HEAD (841-47373-00)	2	
21	90215-08069-00	WASHER, LOCK	2	
22	93102-25081-00	OIL SEAL	2	
23	93420-44029-00	CIRCLIP, R-TYPE	4	
24	93306-00412-00	BEARING	2	
25	810-47552-00-00	CAP	2	
26	90208-22001-00	WASHER, CONICAL SPRING ..	2	
27	90170-22094-00	NUT	2	

Property of www.SmallEngineDiscount.com - Not for Resale

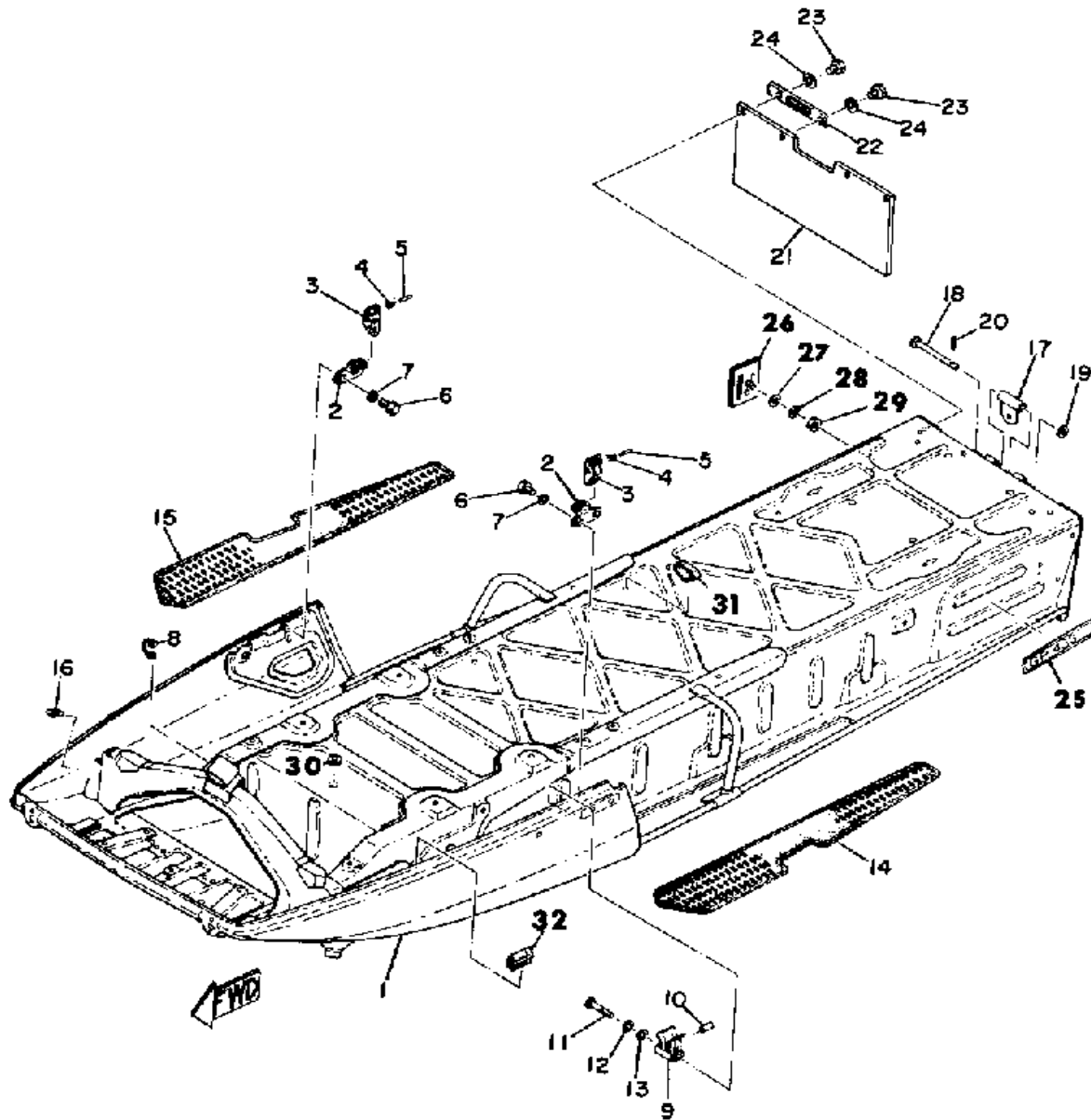
TRACK - SUSPENSION WHEEL



Ref. No.	Part Number	Description	Qty	Remarks
1	(861-47110-00-00)	TRACK ASSEMBLY	1	
2	(806-47331-01-00)	ARM, PIVOT 1	6	
3	90508-70099-00	SPRING, TORSION	4	CENTER/REAR
	90508-70100-00	SPRING, TORSION	2	FRONT
4	(802-47337-00-00)	SHAFT, PIVOT	3	
5	97313-08030-00	BOLT, HEXAGON	6	
6	(806-47347-00-00)	WASHER, LOCK	6	
7	885-47320-01-00	SUSPENSION WHEEL COMP.	12	
8	93306-00441-00	BEARING (89A) (B6004RS)	12	
9	99009-42500-00	CIRCLIP	12	
10	818-47317-01-00	CAP, WHEEL	12	

Property of www.SmallEngineDiscount.com - Not for Resale

FRAME

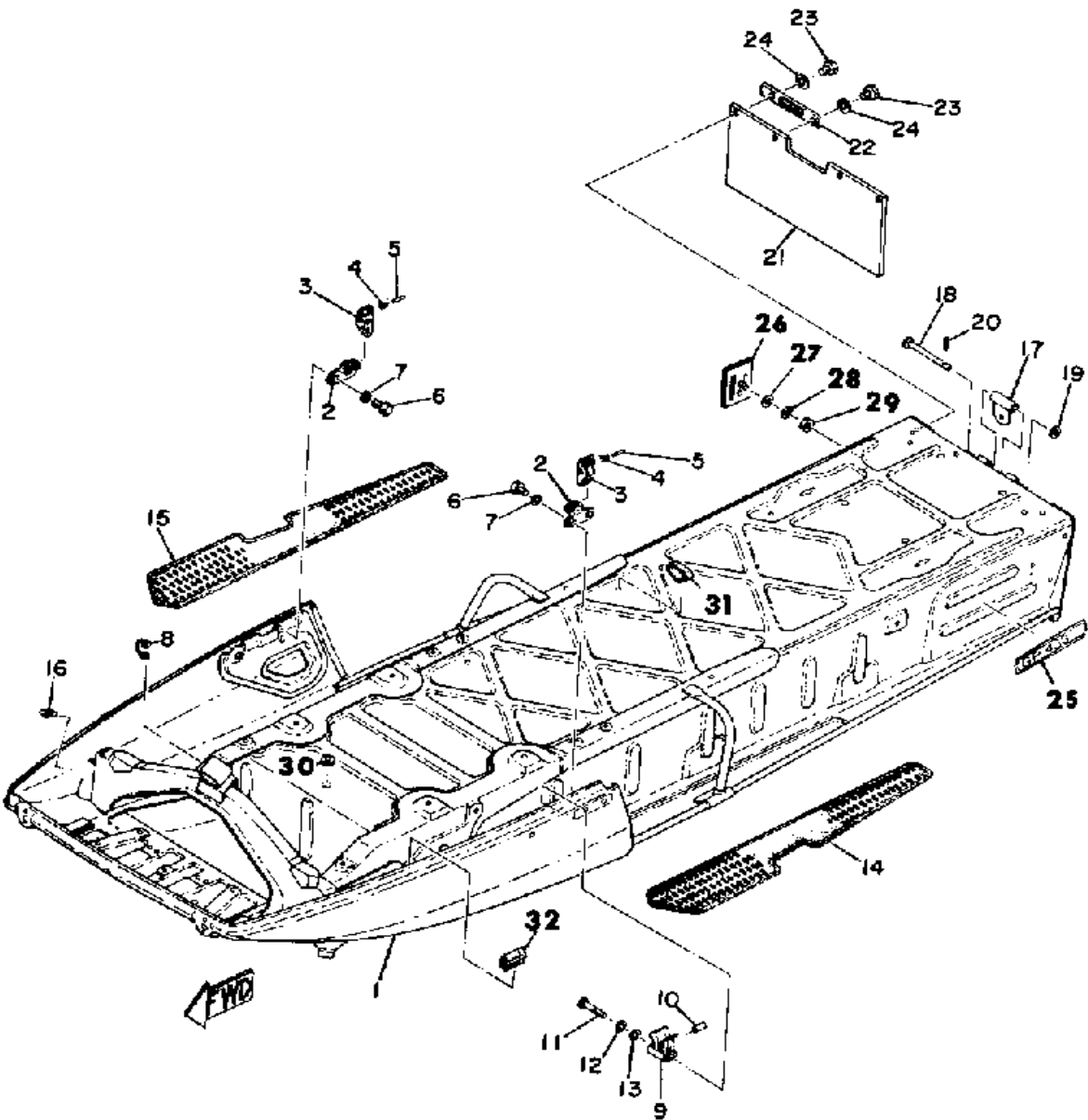


Ref. No.	Part Number	Description	Qty	Remarks
1	(841-21910-00-00)	FRAME	1	
2	(806-77172-00-00)	BODY, LATCH 2	2	
3	806-77173-00-00	. LEVER, LATCH 1	2	
4	90508-10012-00	. SPRING, TORSION	2	
5	90249-04068-00	. PIN, SPECL SHAPE	2	
6	97313-05016-00	BOLT, HEXAGON	4	
7	92990-05100-00	WASHER, SPRING	4	
8	(841-82591-00-00)	BAND	1	
9	90464-09006-00	CLAMP	2	
10	821-77188-01-00	STOPPER	2	
11	97026-06045-00	BOLT	2	
12	92906-06100-00	WASHER, SPRING	2	
13	92906-06200-00	WASHER	2	
14	878-27413-00-00	COVER, FOOTREST	1	
15	878-27423-00-00	COVER, FOOTREST	1	
16	93700-06M03-00	NIPPLE, GREASE	2	
17	802-77591-00-00	BRACKET, HITCH 1	1	
18	(91701-08102-00)	PIN, CLEVIS	1	
19	92990-08200-00	WASHER, PLAIN	1	
20	91401-25020-00	PIN, COTTER	1	
21	(802-77595-02-00)	FLAP	1	
22	(802-77593-00-00)	PLATE, FLAP 1	2	
23	97013-06012-00	BOLT	4	
24	92995-06100-00	WASHER, SPRING	4	
25	844-77354-00-00	EMBLEM 4	2	
26	(821-85131-00-00)	REFLECTOR, REAR 1	2	
27	92990-06200-00	WASHER	2	
28	92995-06100-00	WASHER, SPRING	2	
29	95701-06300-00	NUT, NYLON	2	

CONTINUED ON NEXT FRAME ➤

Property of www.SmallEngineDiscount.com - Not for Resale

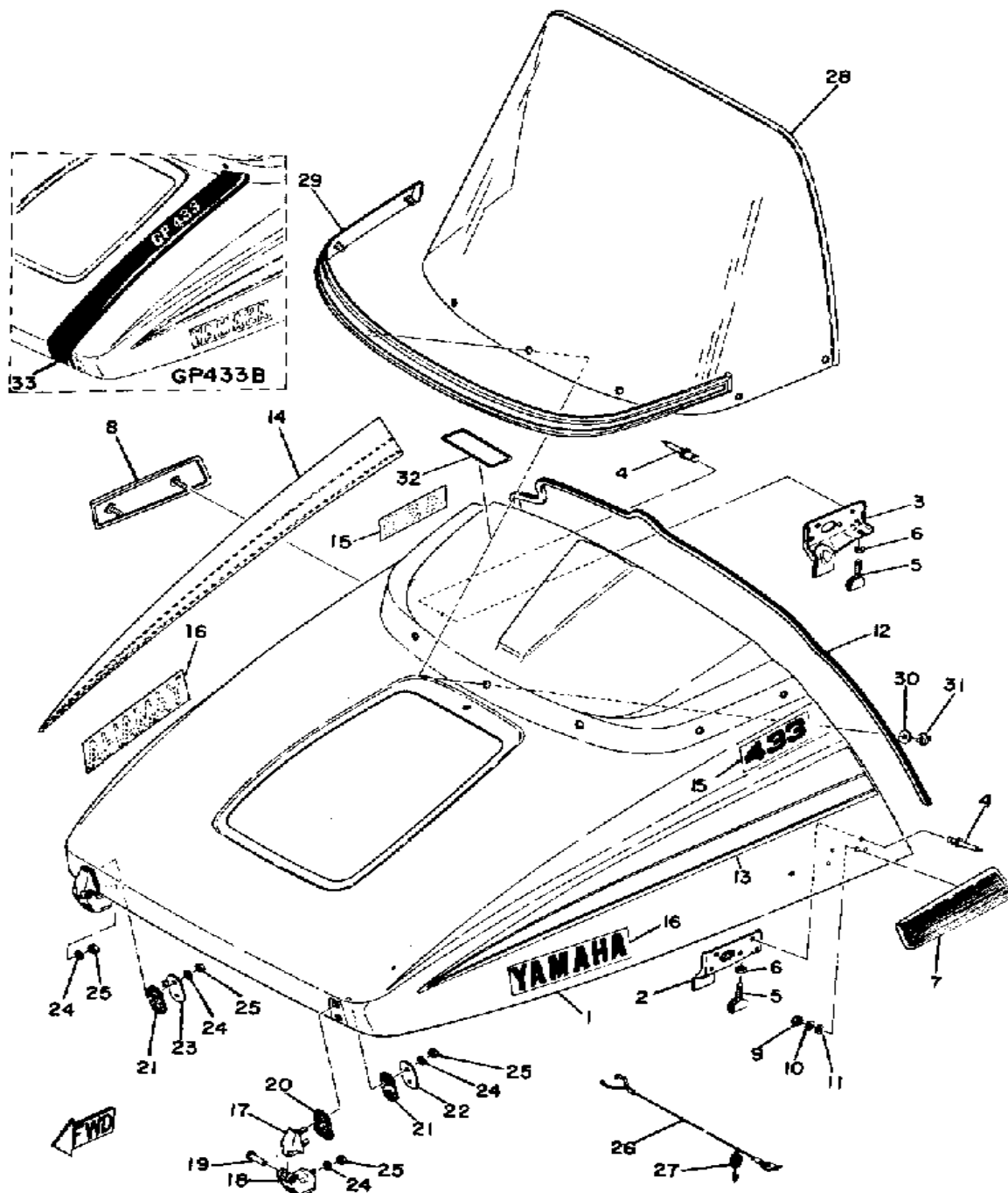
FRAME



Ref. No.	Part Number	Description	Qty	Remarks
30	810-77716-00-00	ORNAMENT, INSTRUMENT PANEL 2	1	
31	(90464-13008-00)	CLAMP	3	
32	(839-77161-00-00)	STRIP, WEATHER 1	4	SN57
-1	806-77170-00-00	LATCH ASSEMBLY	2	

Property of www.SmallEngineDiscount.com - Not for Resale

SHROUD

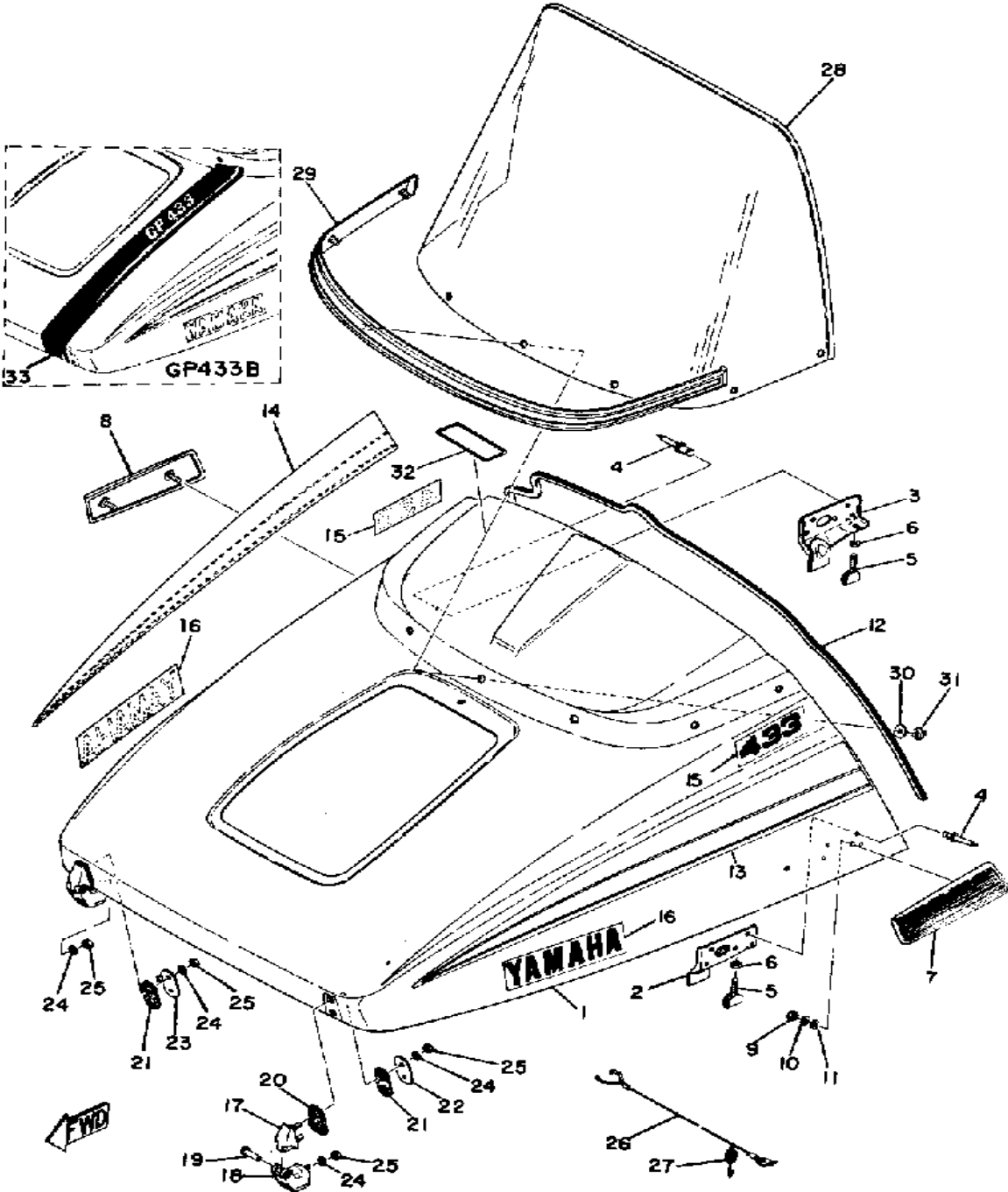


Ref. No.	Part Number	Description	Qty	Remarks
1	841-77111-00-00	SHROUD	1	
2	(841-77136-00-00)	CLAMP 2	1	
3	(841-77138-00-00)	CLAMP 4	1	
4	90267-40M00-00	RIVET, BLIND	8	
5	(841-77171-01-00)	BODY, LATCH 1	2	
6	95380-06600-00	NUT	2	
7	(838-77131-00-00)	LOUVER 1	1	
8	838-77132-00-00	LOUVER 2	1	
9	95380-05600-00	NUT	4	
10	92990-05100-00	WASHER, SPRING	4	
11	92990-05200-00	WASHER, PLAIN	4	
12	(841-77166-00-00)	TRIM 2	1	
13	841-77163-00-00	ORNAMENT 1	1	
14	(841-77164-00-00)	ORNAMENT 2	1	
15	(841-77356-00-00)	EMBLEM 6	2	
16	(838-77357-00-00)	EMBLEM 7	2	
17	(841-77140-00-00)	HINGEASSEMBLY	2	
18	(841-77147-00-00)	HINGE 3	2	
19	90243-05003-00	PIN	2	
20	(841-77198-00-00)	DAMPER 1	2	
21	841-77199-00-00	DAMPER 2	2	
22	(841-77153-00-00)	PLATE, BACK UP 1	1	
23	(841-77154-00-00)	PLATE, BACK UP 2	1	
24	92995-06100-00	WASHER, SPRING	6	
25	95380-06600-00	NUT	6	
26	841-77118-00-00	STOPPER, SHROUD	1	
27	838-77159-00-00	CLAMP, ROD	1	
28	(844-77210-01-00)	WINDSHIELD	1	
29	841-77220-00-00	TRIM LOWER ASSEMBLY	1	

CONTINUED ON NEXT FRAME ➤

Property of www.SmallEngineDiscount.com - Not for Resale

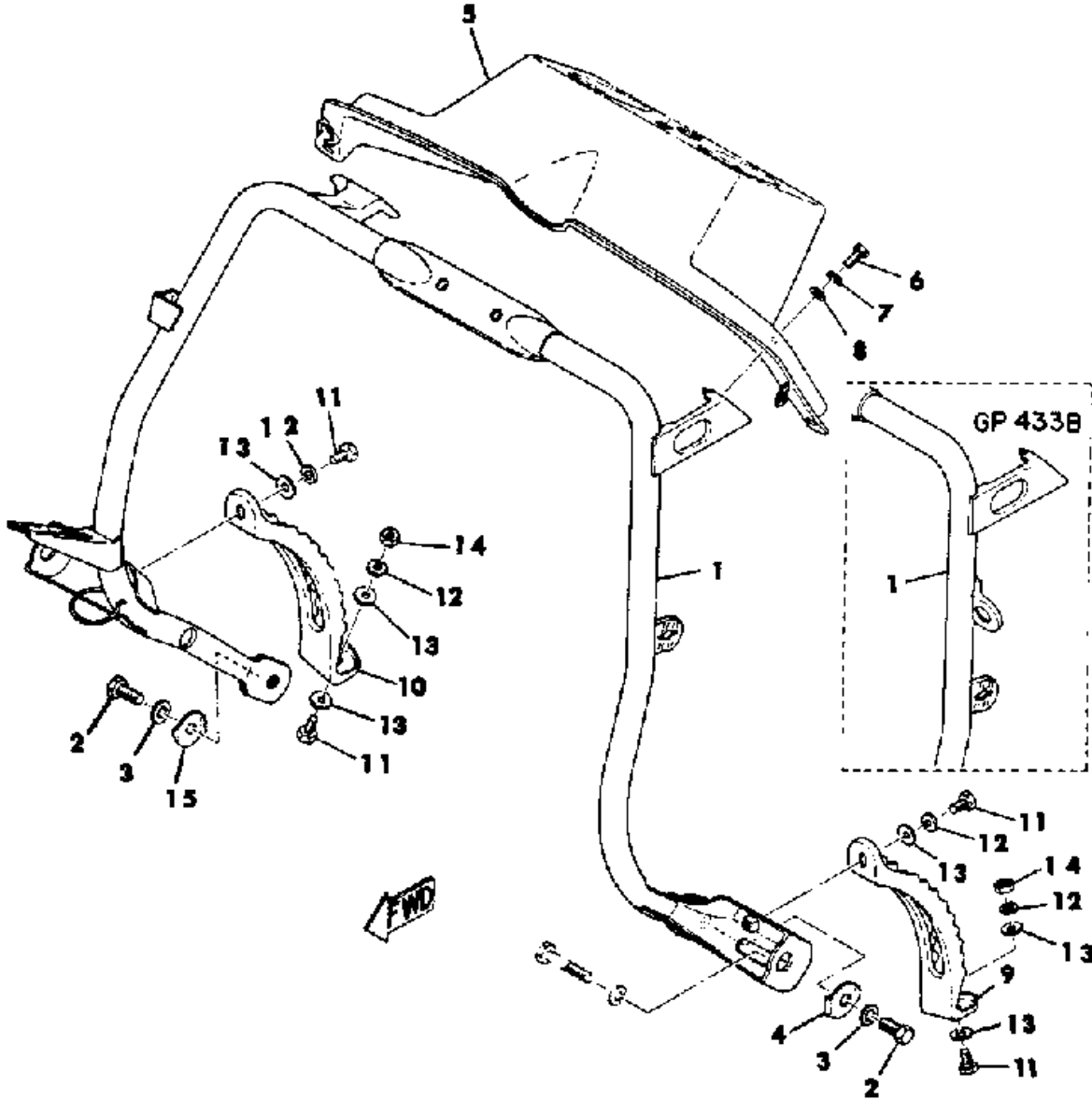
SHROUD



Ref. No.	Part Number	Description	Qty	Remarks
30	90201-05036-00	WASHER, PLATE	7	
31	95701-05300-00	NUT, NYLON	7	
32	288-21659-00-00	LABEL, SAFETY	1	
33	844-77169-00-00	ORNAMENT 3	1	

Property of www.SmallEngineDiscount.com - Not for Resale

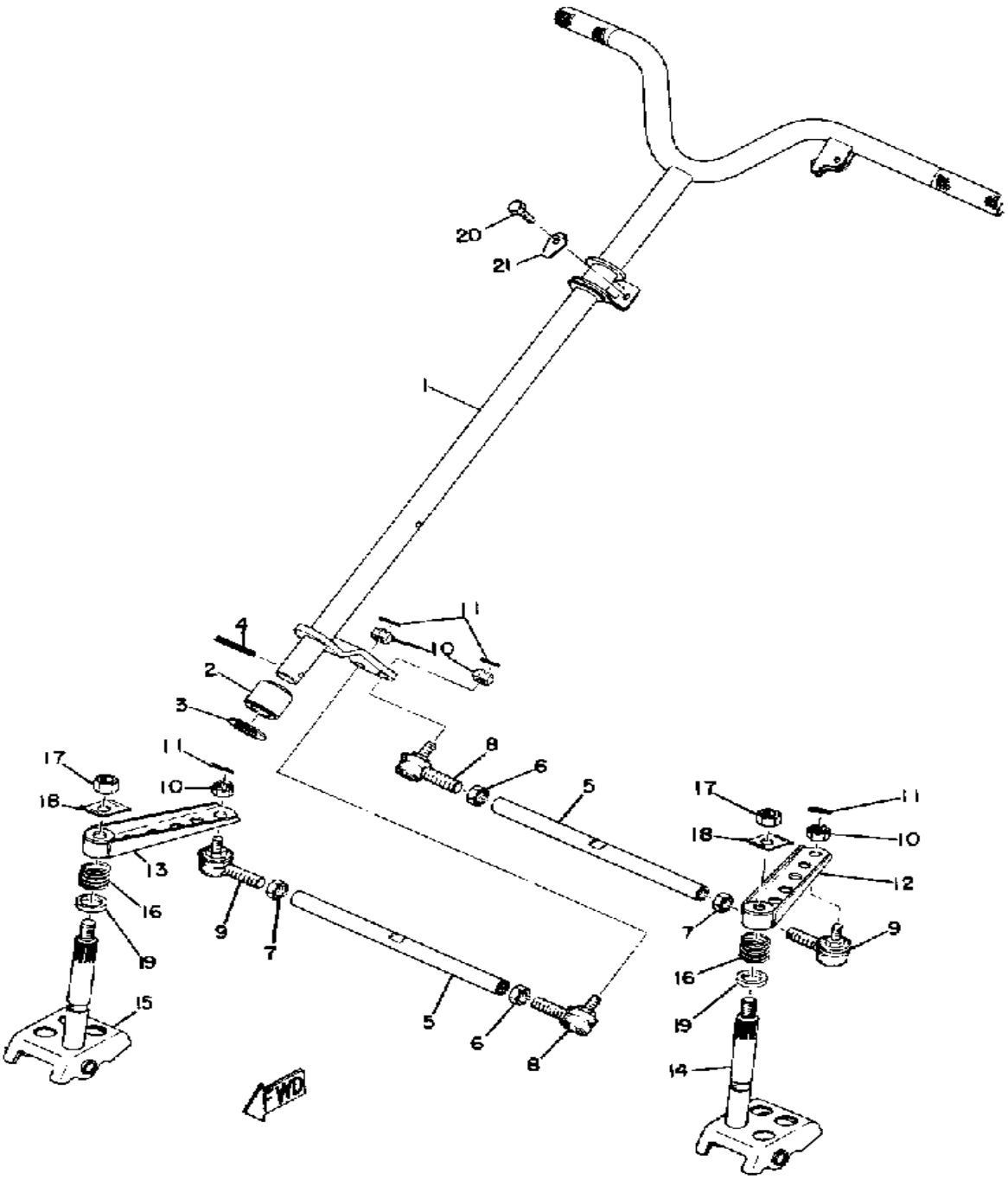
STEERING GATE



Ref. No.	Part Number	Description	Qty	Remarks
1	(843-23870-00-00)	STEERING GATE	1	
	(844-23870-00-00)	STEERING GATE	1	
2	97026-08018-00	BOLT	2	
3	90201-08624-00	WASHER, PLATE	2	
4	(861-23895-00-00)	WASHER, LOCK 2	1	
	(90215-08066-00)	WASHER, LOCK	1	
5	(844-77711-00-00)	PANEL, INSTRUMENT	1	
6	(97306-05012-00)	BOLT, HEXAGON	1	
7	92906-05100-00	WASHER, SPRING	1	
8	92906-05200-00	WASHER, PLAIN	1	
9	(841-27411-00-00)	FOOTREST 1	1	
10	(841-27421-00-00)	FOOTREST 2	1	
11	97013-06012-00	BOLT	4	
12	92995-06100-00	WASHER, SPRING	4	
13	92990-06200-00	WASHER	6	
14	95380-06600-00	NUT	2	
15	(90215-08066-00)	WASHER, LOCK	2	

Property of www.SmallEngineDiscount.com - Not for Resale

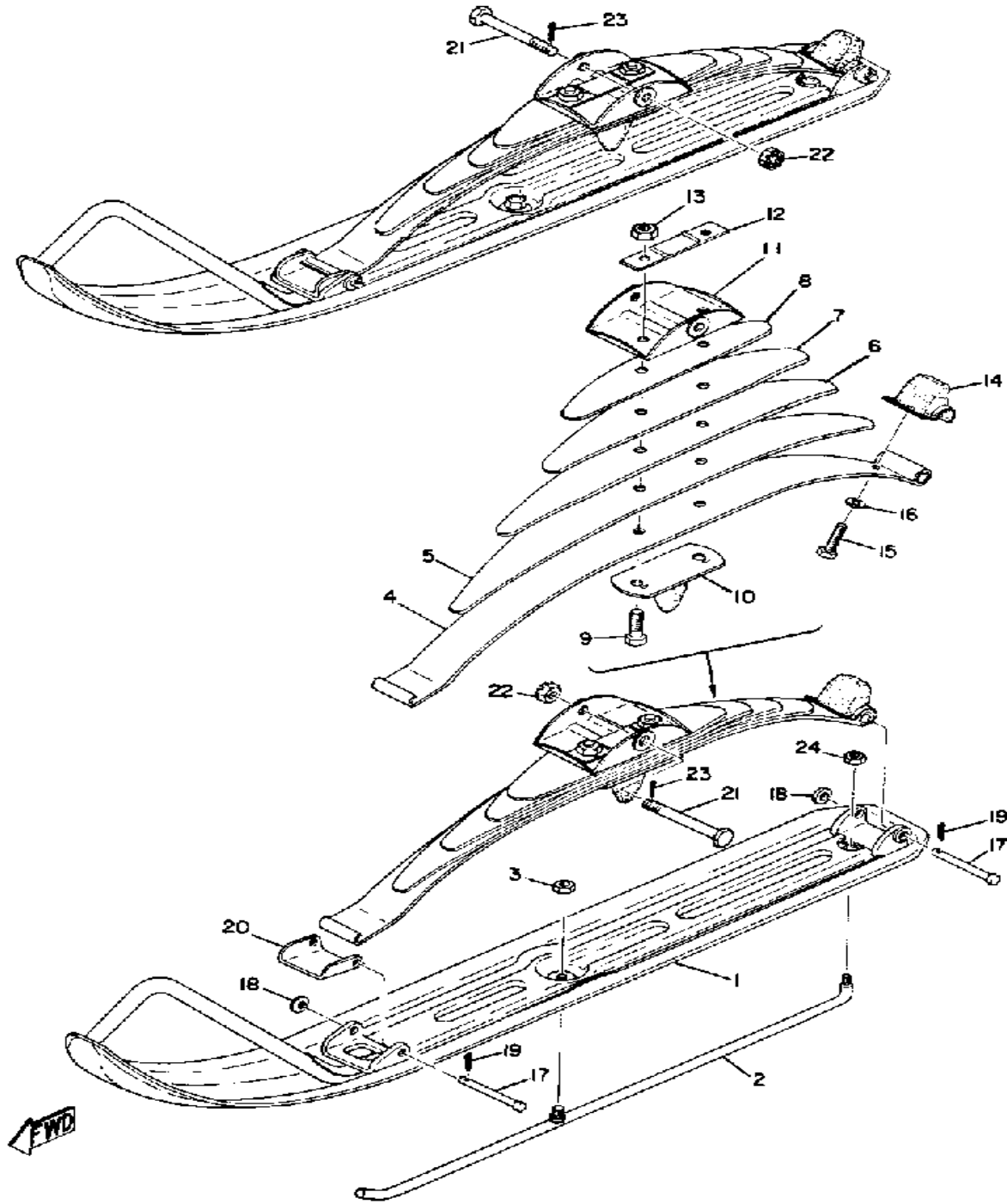
STEERING



Ref. No.	Part Number	Description	Qty	Remarks
1	(841-23811-01-00)	COLUMN, STEERING	1	
2	(806-23875-00-00)	BEARING, STRG LOWER	1	
3	(841-23812-01-00)	BEARING, STEERING	1	
4	91609-60045-00	PIN, SPRING	1	
5	(821-23821-00-00)	ROD, STEERING RELAY	2	
6	90170-12055-00	NUT	2	
7	90170-12054-00	NUT	2	
8	(821-23841-90-00)	JOINT, UNIVERSAL 1	2	
9	(821-23845-90-00)	JOINT, UNIVERSAL 2	2	
10	90171-10002-00	NUT, CASTLE	4	
11	91401-25030-00	PIN, COTTER	4	
12	(841-23851-01-00)	ARM, OUTSIDE 1	1	
13	841-23852-01-00	ARM, OUTSIDE 2	1	
14	844-23853-01-00	COLUMN, SKI 1	1	
15	844-23854-01-00	COLUMN, SKI 2	1	
16	90501-35154-00	SPRING, COMPRESSION	2	
17	95306-12600-00	NUT	2	
18	90215-12037-00	WASHER, LOCK	2	
19	90560-20037-00	SPACER	2	
20	97011-06020-00	BOLT	2	
21	(90215-06038-00)	WASHER, LOCK	2	

Property of www.SmallEngineDiscount.com - Not for Resale

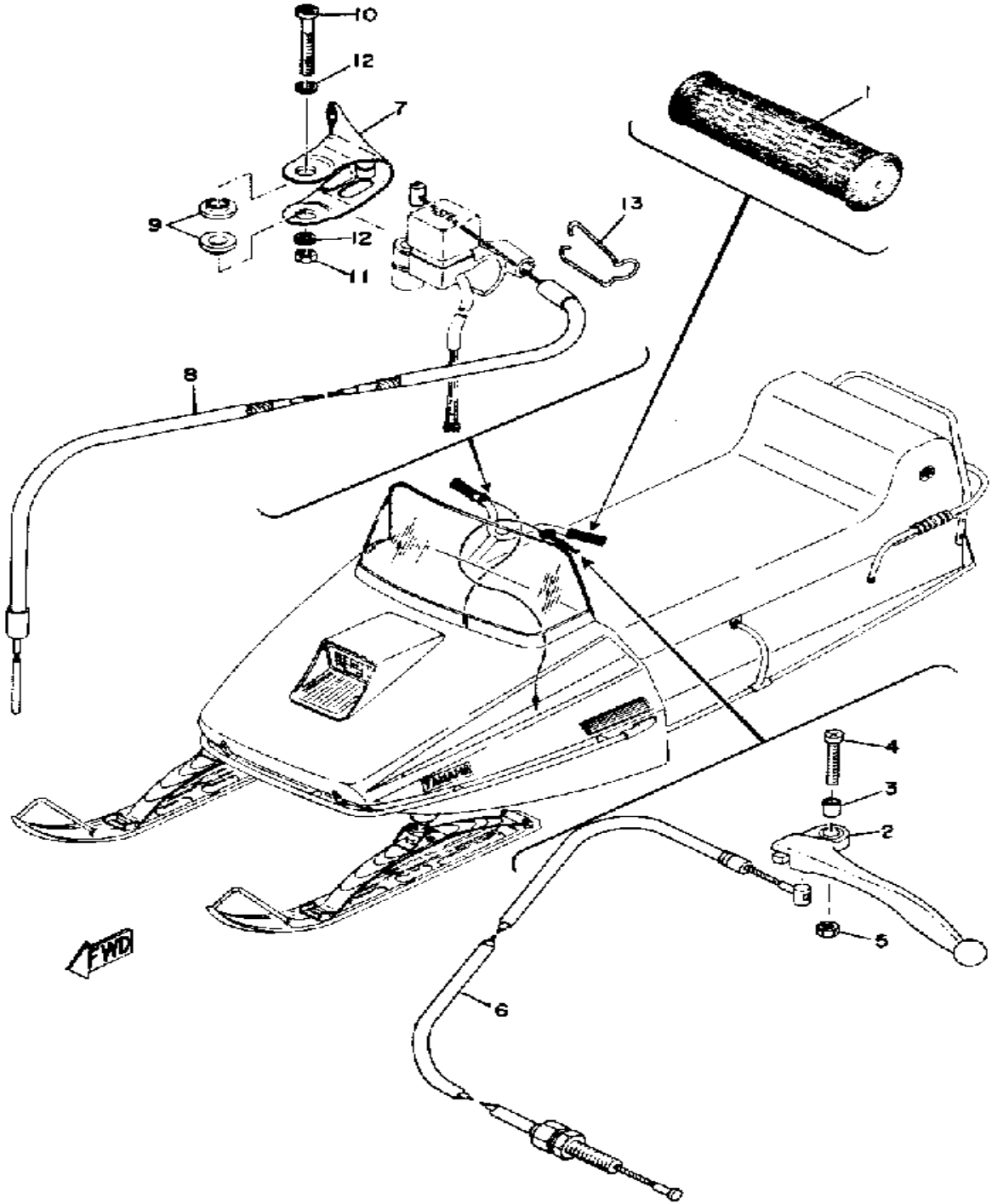
SKI



Ref. No.	Part Number	Description	Qty	Remarks
1	(838-23710-01-00)	SKI 1	2	
2	838-23731-03-00	RUNNER 1	2	
	841-23731-02-00	RUNNER 1	2	
3	95336-08600-00	NUT	2	
4	841-23761-02-00	LEAF 1	2	
5	(841-23762-02-00)	LEAF 2	2	
6	(841-23763-01-00)	LEAF 3	2	
7	841-23764-01-00	LEAF 4	2	
8	841-23771-01-00	LEAF 5	2	
9	90101-10060-00	BOLT	4	
10	878-23768-00-00	SEAT, SPRING 1	2	
11	(841-23766-00-00)	SADDLE 1	2	
12	90209-10069-00	WASHER, SPEC'L SHAP	2	
13	95336-10600-00	NUT	4	
14	(841-23743-01-00)	STOPPER 1	2	
15	90101-06576-00	BOLT	2	
16	92995-06100-00	WASHER, SPRING	2	
17	90240-08035-00	PIN, CLEVIS (801-23733-00)	4	
18	92906-08200-00	WASHER	4	
19	91401-30020-00	PIN, COTTER	4	
20	802-23735-00-00	PLATE, WEAR 1	2	
21	90102-10009-00	BOLT, WITH HOLE	2	
22	95306-10900-00	NUT, SLOTTED	2	
23	91490-20025-00	PIN, SPLIT	2	
24	95316-08700-00	NUT (2GV)	2	
-1	(841-23760-03-00)	SPRING ASSEMBLY 1	1	
-2	841-23770-03-00	SPRING ASSEMBLY 2	1	

Property of www.SmallEngineDiscount.com - Not for Resale

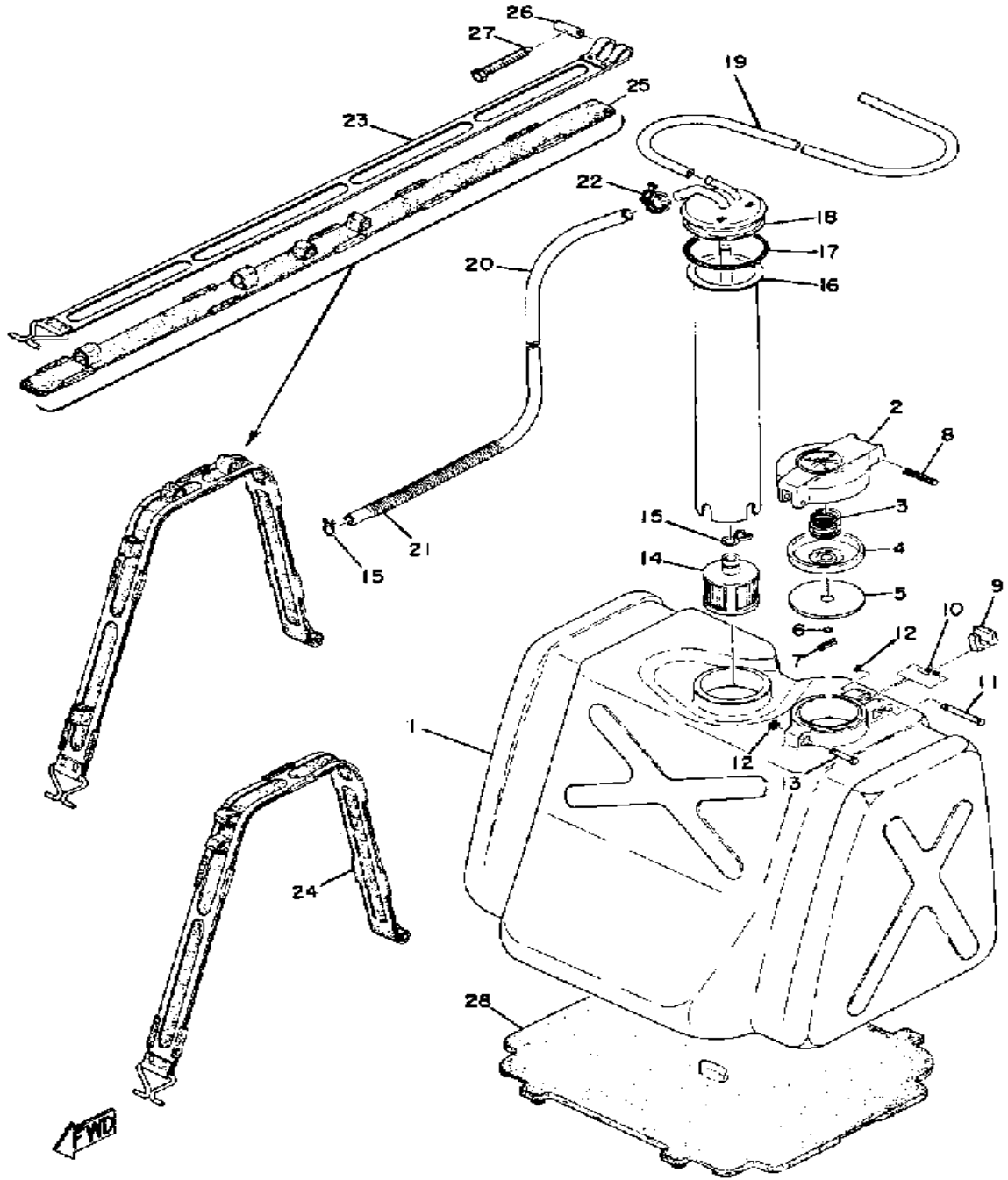
GRIP - WIRING



Ref. No.	Part Number	Description	Qty	Remarks
1	801-26241-01-00	GRIP	2	
2	803-83912-00-38	LEVER 1	1	
3	802-83913-00-00	COLLAR, LEVER 1	1	
4	90157-05006-00	SCREW, PAN HEAD (803-83915-00)	1	
5	95311-05700-00	NUT	1	
6	(807-26340-00-00)	CABLE, BRAKE	1	
7	99999-01028-00	THROTTLE LEVER	1	
8	841-26311-00-00	CABLE, THROTTLE 1	1	
9	90387-062M9-00	COLLAR	2	
10	90157-06004-00	SCREW, PAN HEAD (810-83925-00)	1	
11	95380-06700-00	NUT	1	
12	92990-06200-00	WASHER	2	
13	90468-10017-00	CLIP (821-26391-00)	1	

Property of www.SmallEngineDiscount.com - Not for Resale

FUEL TANK



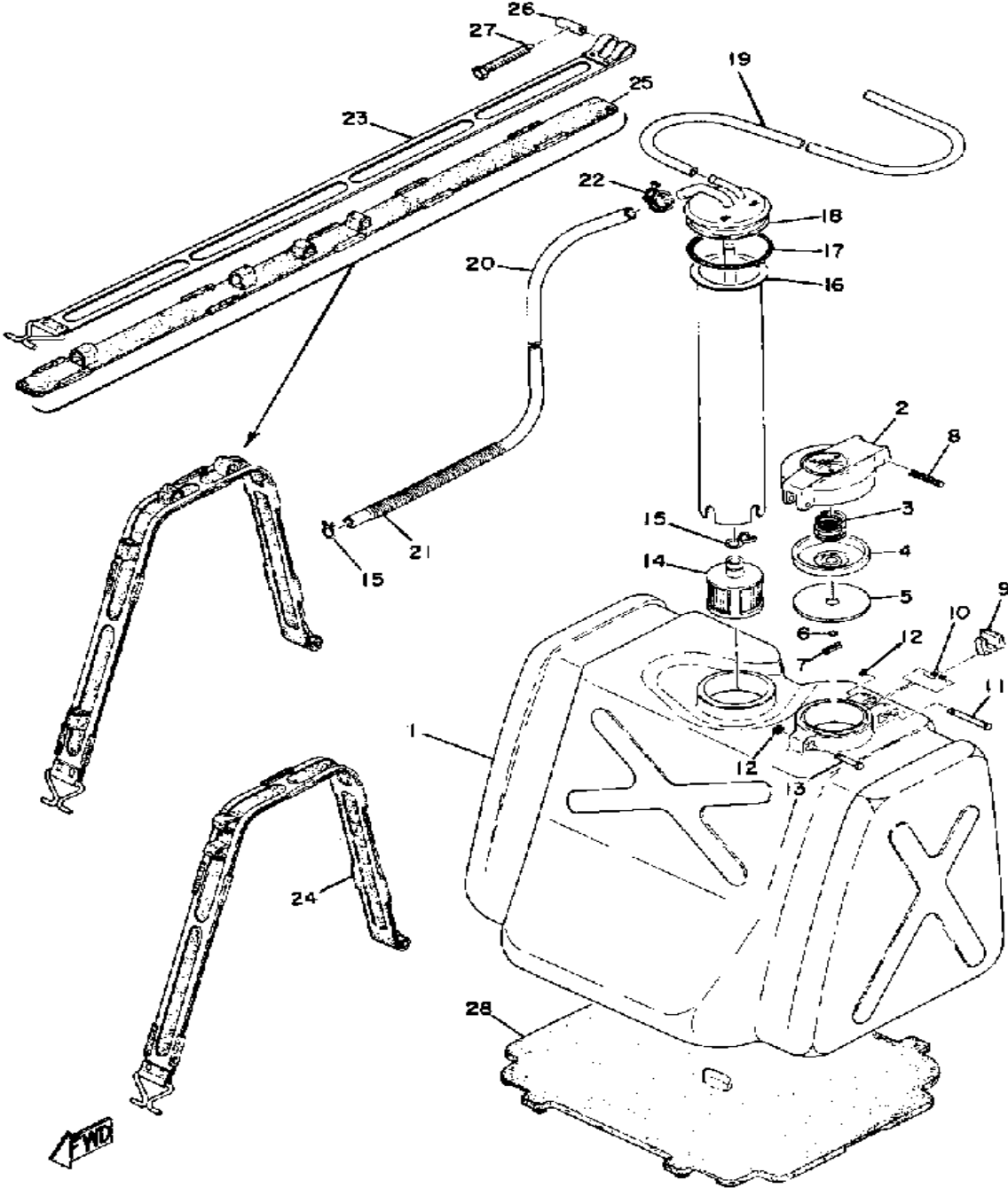
Ref. No.	Part Number	Description	Qty	Remarks
1	841-24111-01-00	FUEL TANK	1	
2	813-24611-01-00	BODY, CAP	1	
3	90501-20130-00	SPRING, COMPRESSION	1	
4	813-24613-01-00	DISC, CAP	1	
5	256-24612-00-00	GASKET, CAP	1	
6	93210-04122-00	O-RING	1	
7	91609-30016-00	PIN, SPRING	1	
8	91609-25032-00	PIN, SPRING	1	
9	83M-24628-00-00	HOOK	1	
10	90508-08003-00	SPRING, TORSION (813-24637-00)	1	
11	90249-03017-00	PIN	1	
12	93430-02001-00	CIRCLIP	2	
13	90249-03016-00	PIN, SPEC"L SHAPE	1	
14	8H5-24560-00-00	FILTER ASSEMBLY	1	
15	90467-11009-00	CLIP	2	
16	838-24336-00-00	PIPE, SUCTION 2	1	
17	90506-06065-00	SPRING, TENSION	1	
18	838-24335-00-00	PIPE, SUCTION 1	1	
19	90446-09013-00	HOSE (90446-09079)	1	
20	90446-11040-00	HOSE	1	
21	806-24328-00-00	PROTECTOR, PIPE	1	
22	90460-11002-00	CLAMP, HOSE	1	
23	838-24173-00-00	BAND, TNK FITTING 1	2	
24	(838-24183-00-00)	DAMPER, LOCATING 3	1	
25	(838-24184-00-00)	DAMPER, LOCATING 4	1	
26	806-24135-00-00	CLAMP 1	2	
27	90149-05006-00	SCREW, SPEC"L SHAPE (821-24176-00)	2	

FUEL TANK	(QUANTITY)	(TYPE)	(MINIMUM OCTANE)	5.0 US gal.	Regular/85
-----------	------------	--------	------------------	-------------	------------

CONTINUED ON NEXT FRAME ►

Property of www.SmallEngineDiscount.com - Not for Resale

FUEL TANK

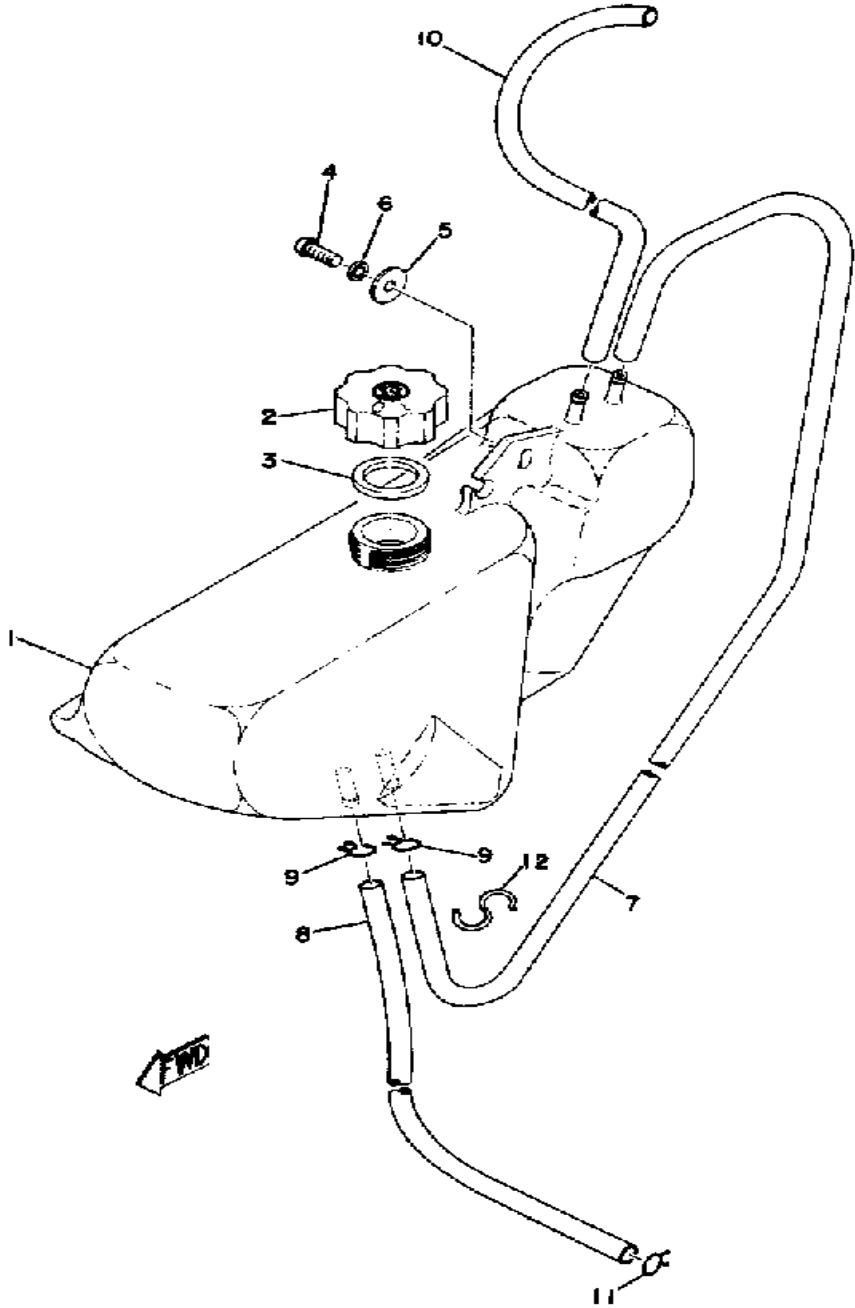


Ref. No.	Part Number	Description	Qty	Remarks
28	(841-24181-00-00)	DAMPER, LOCATING 1 1	

FUEL TANK	(QUANTITY)	(TYPE)	(MINIMUM OCTANE)	5.0 US gal.	Regular/85
-----------	------------	--------	------------------	-------------	------------

Property of www.SmallEngineDiscount.com - Not for Resale

OIL TANK

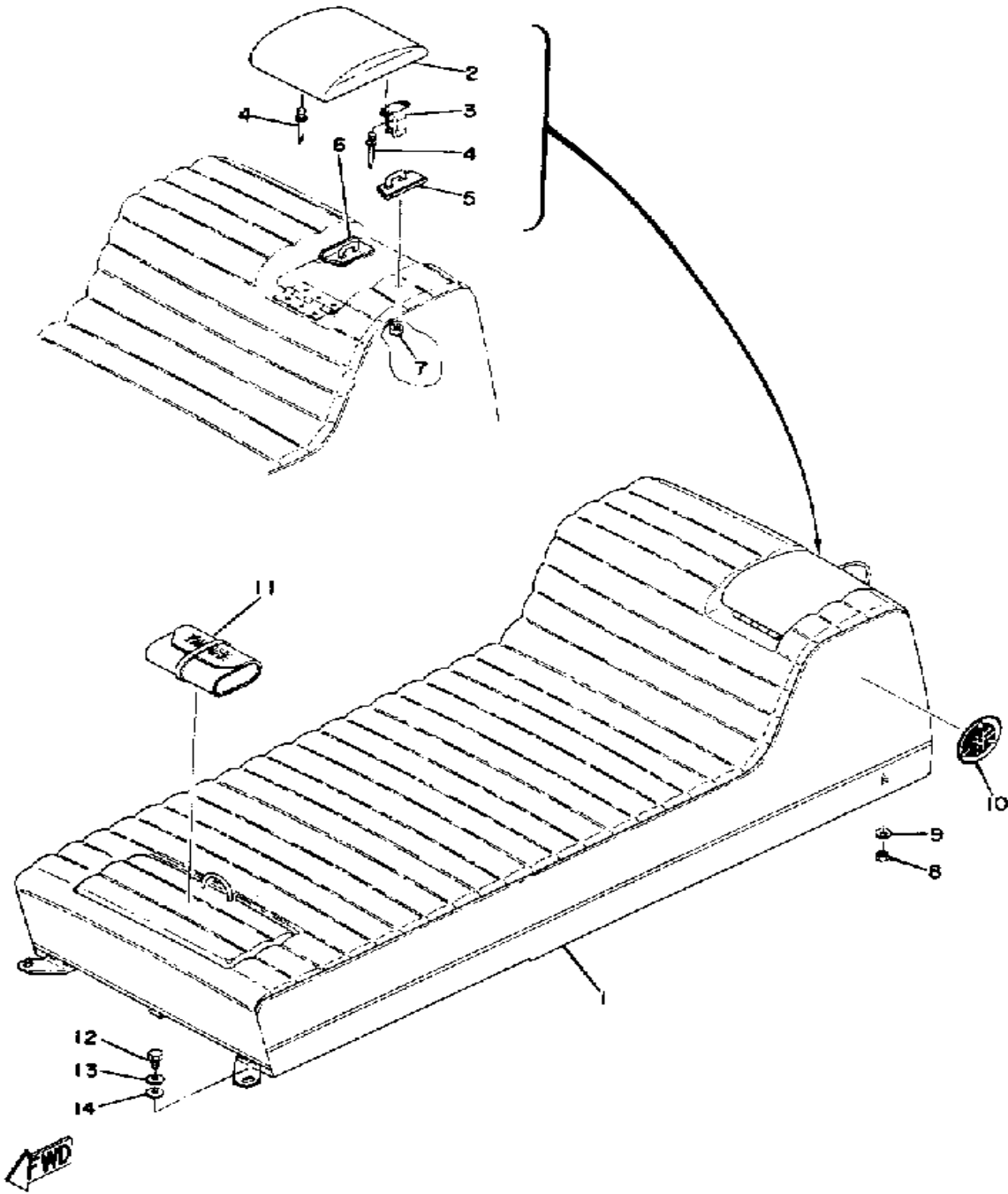


Ref. No.	Part Number	Description	Qty	Remarks
1	841-21751-00-00	TANK, OIL	1	
2	296-21771-62-00	BODY, CAP	1	
3	296-21772-00-00	GASKET, CAP	1	
4	98580-05016-00	SCREW, PAN HEAD	1	
5	90201-05036-00	WASHER, PLATE	1	
6	92990-05100-00	WASHER, SPRING	1	
7	(844-21792-00-00)	GAUGE, OIL	1	
8	90446-09014-00	HOSE	1	
9	90467-09005-00	CLIP, SCISSOR	2	
10	90446-09092-00	HOSE	1	
11	90460-09001-00	CLAMP, HOSE	1	
12	(844-21755-00-00)	CLAMP, DAMPER	1	

OIL TANK	(QUANTITY) (TYPE)	2.1 qts.	Yamalube "BIA TC-W"
----------	-------------------	----------	---------------------

Property of www.SmallEngineDiscount.com - Not for Resale

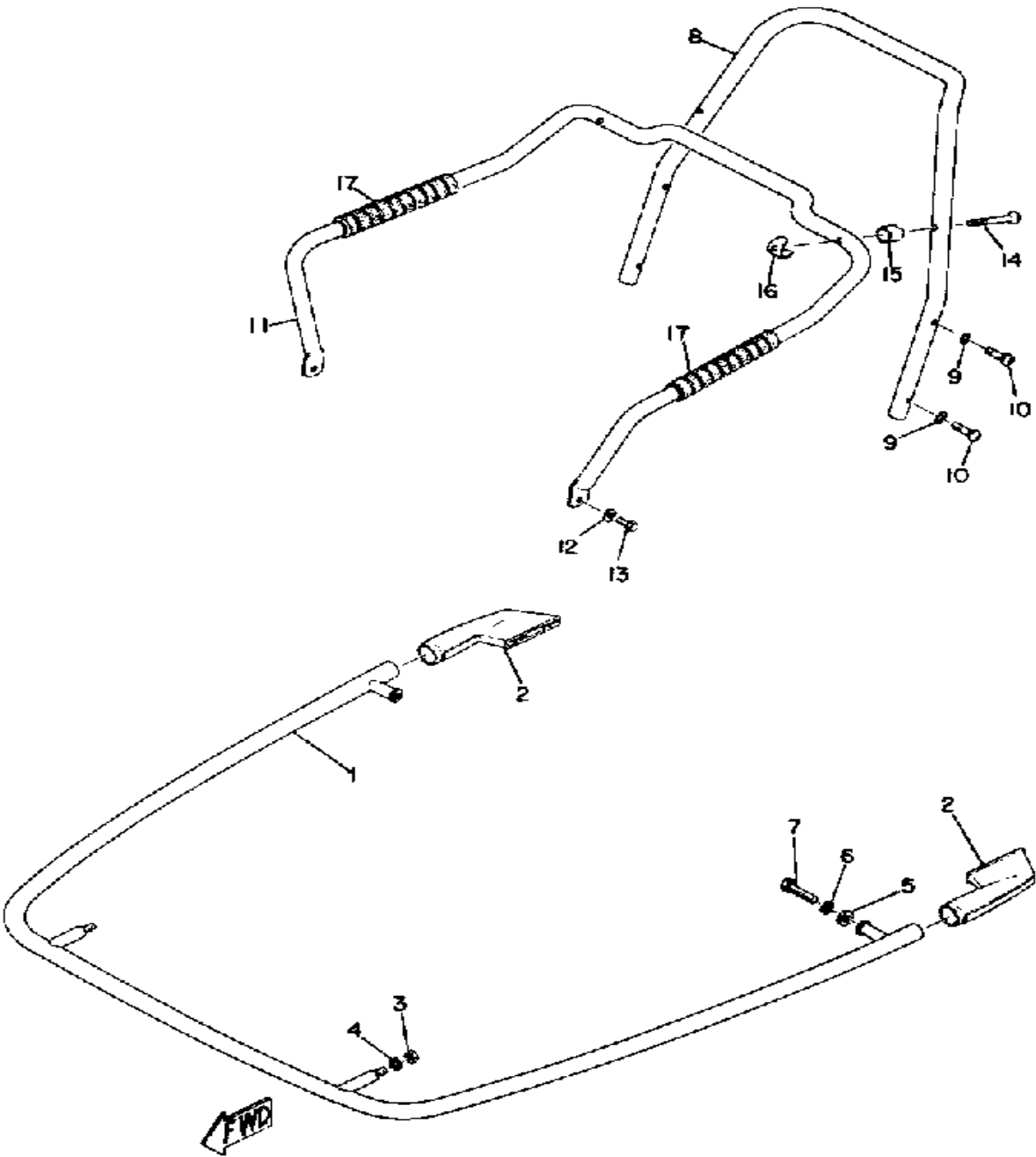
SEAT



Ref. No.	Part Number	Description	Qty	Remarks
1	844-24730-00-00	DOUBLE SEAT ASSEMBLY ...	1	
2	838-24765-00-00	. LID, DOUBLE SEAT	1	
3	(821-24794-00-00)	SPRING, SEAT BACK	2	
4	(90267-32017-00)	RIVET, BLIND	7	
5	(838-24793-00-00)	PIN	1	
6	(838-24784-00-00)	PIN	1	
7	95380-06700-00	. NUT	4	
8	90185-08089-00	NUT, SELF-LOCKING	2	
9	90208-08011-00	WASHER, CONICAL SPRING ..	2	
10	821-77352-00-00	EMBLEM 2	2	
11	(821-28100-10-00)	TOOL KIT	1	
12	97016-06016-00	BOLT	2	
13	92906-06100-00	WASHER, SPRING	2	
14	90201-06059-00	WASHER, PLATE	2	
1-1	(844-24731-00-00)	COVER, DOUBLE SEAT	1	

Property of www.SmallEngineDiscount.com - Not for Resale

BUMPER

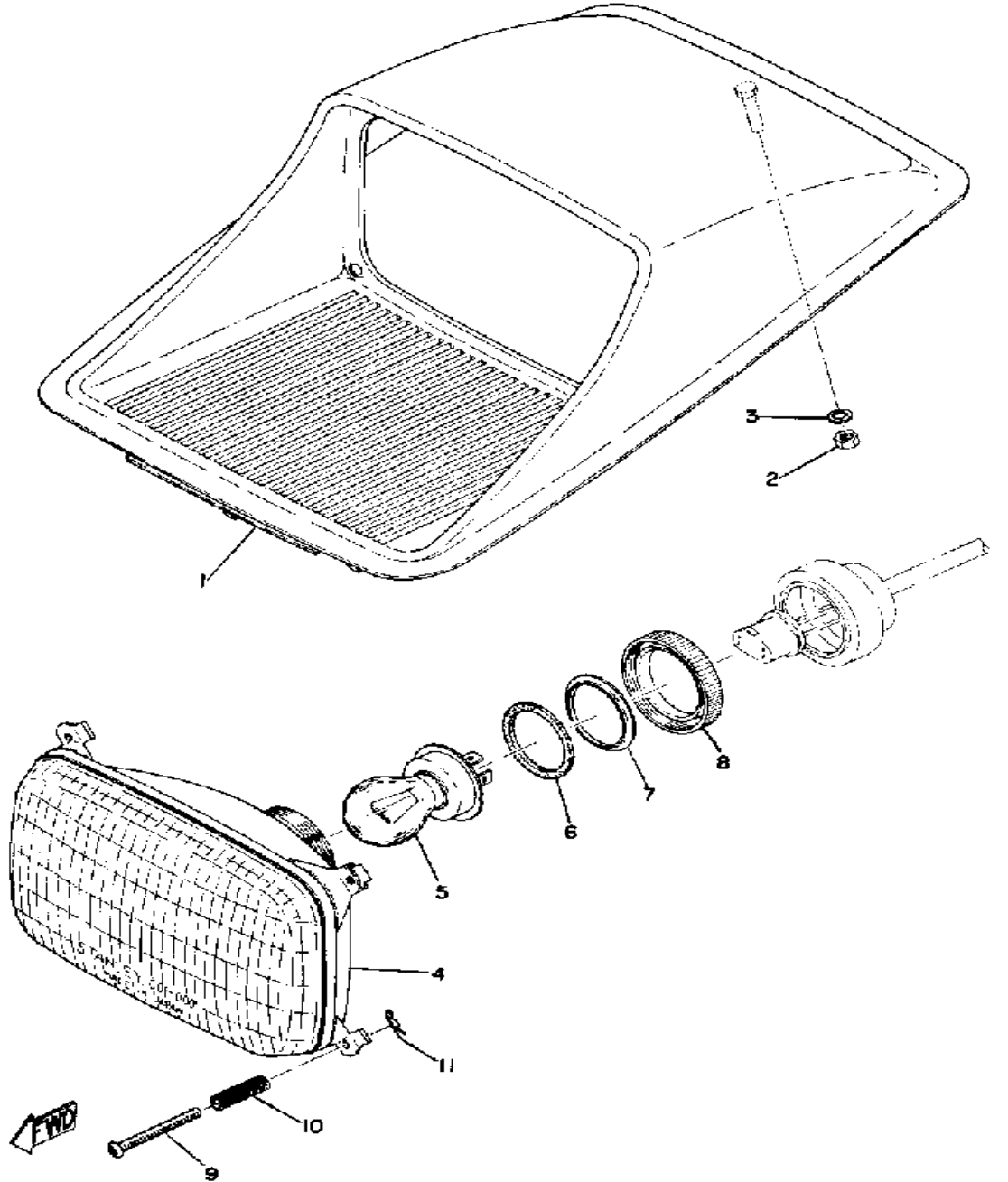


Ref. No.	Part Number	Description	Qty	Remarks
1	841-77510-00-00	FRONT BUMPER	1	
2	838-77523-00-00	END, BUMPER	2	
3	95333-08600-00	NUT	2	
4	92990-08100-00	WASHER	2	
5	(90201-08456-00)	WASHER, PLATE	2	
6	92906-08100-00	WASHER, SPRING	2	
7	97306-08040-00	BOLT, HEXAGON	2	
8	(841-77541-00-00)	BUMPER, REAR 1	1	
9	92990-06500-00	WASHER	4	
10	90152-06003-00	SCREW, COUNTERSUNK	4	
11	841-77571-00-00	GRIP, ASSIST 1	1	
12	92995-06100-00	WASHER, SPRING	2	
13	97013-06012-00	BOLT	2	
14	90149-06054-00	SCREW, SPEC'L SHAPE	2	
	92601-06050-00	SCREW, OVAL HEAD	2	
15	(806-77515-00-00)	BUSH, RUBBER 1	2	
16	806-77573-00-00	NUT, SPECIAL	2	
17	838-77575-00-00	COVER, ASSIST GRIP	2	

Property of www.SmallEngineDiscount.com - Not for Resale

HEAD LAMP

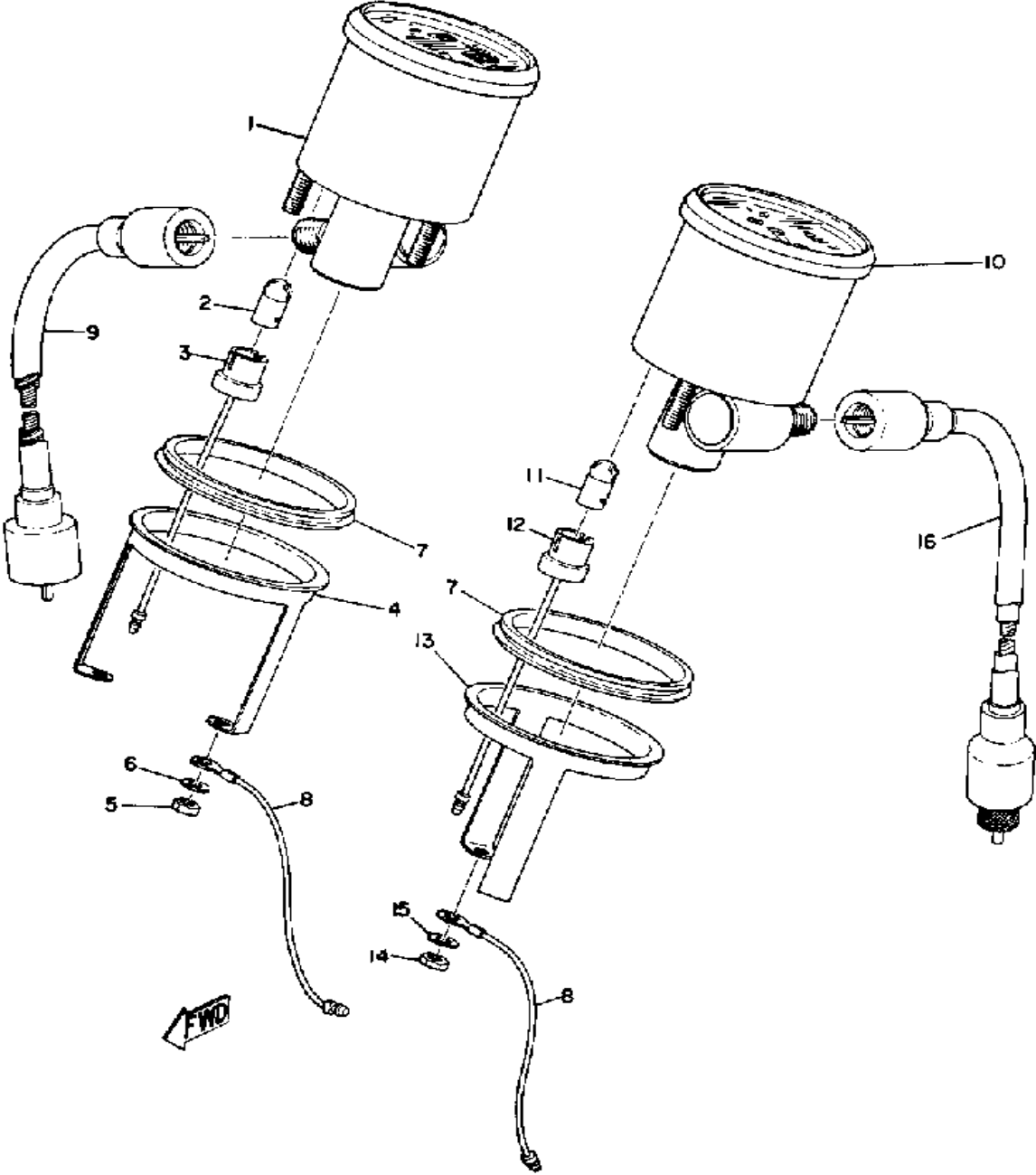
Ref. No.	Part Number	Description	Qty	Remarks
1	(841-84311-00-00)	BODY, HEADLIGHT	1	
2	95306-05600-00	NUT	1	
3	92906-05100-00	WASHER, SPRING	1	
4	(838-84320-01-00)	LENS ASSEMBLY	1	
5	838-84314-00-00	BULB, HEADLIGHT	1	
6	838-84327-00-00	WASHER, SPECIAL	1	
7	838-84328-00-00	SPACER	1	
8	838-84317-00-00	NUT	1	
9	8M6-84331-00-00	SCREW, RIM ADJUSTING (8A5-84331-00-00)	4	
10	8A5-84332-00-00	SPRING, SCREW	4	
11	(807-84351-00-00)	CLAMP, CORD	4	



HEADLIGHT/TAILLIGHT RATINGS	12V 60/60W	12V 8W/23W
-----------------------------	------------	------------

Property of www.SmallEngineDiscount.com - Not for Resale

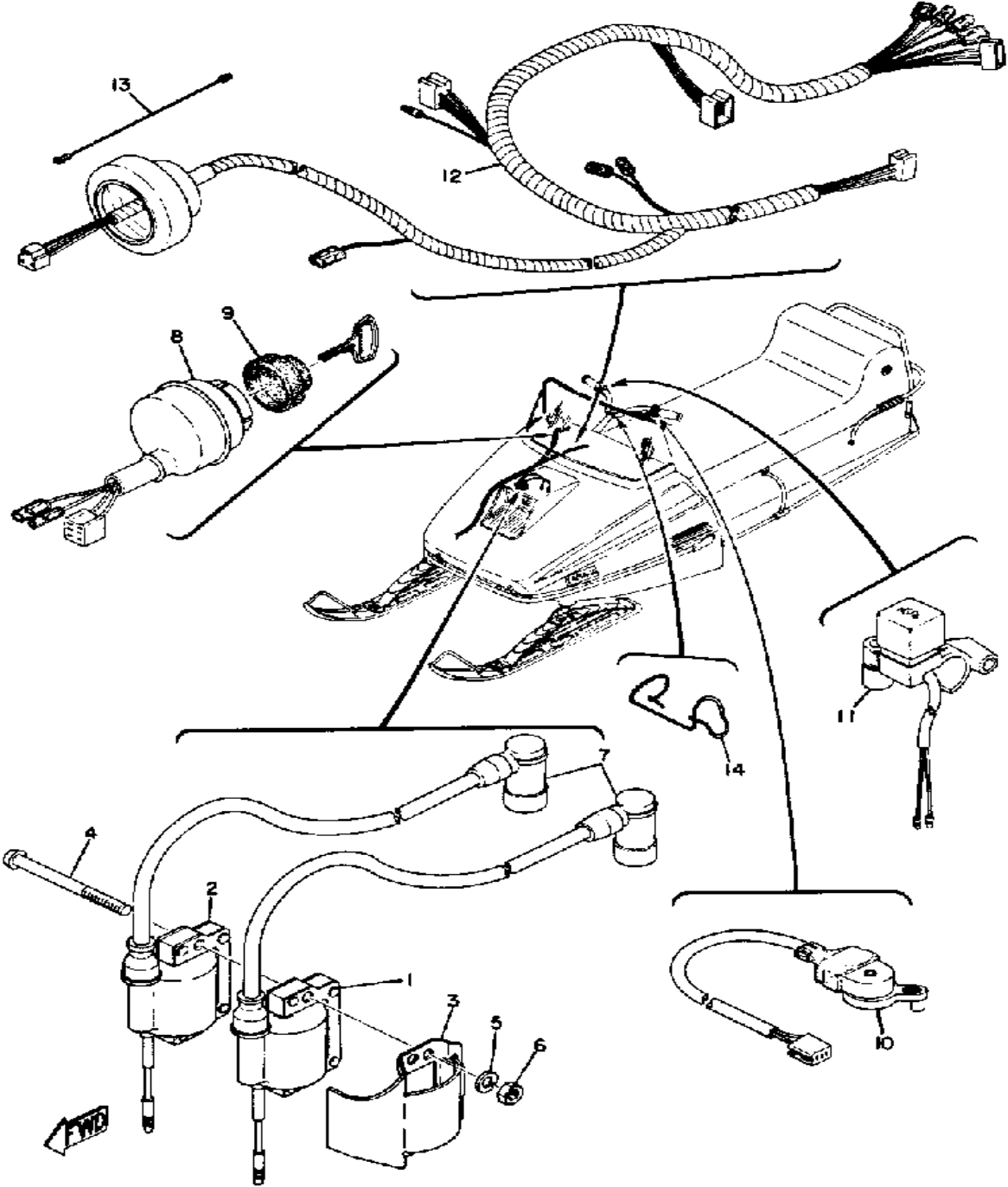
SPEEDOMETER - TACHOMETER



Ref. No.	Part Number	Description	Qty	Remarks
1	(839-83510-40-00)	SPEEDOMETER ASSEMBLY ..	1	
2	256-84347-00-00	. BULB	1	
3	(839-83536-40-00)	SOCKET, METER	1	
4	(839-83514-40-00)	PLATE, FITTING	1	
5	95380-05600-00	. NUT	2	
6	92990-05100-00	. WASHER, SPRING	2	
7	(90480-58085-00)	GROMMET	2	
8	(842-83571-00-00)	CASE, SPDMTR UPPER	2	
9	839-83550-01-00	SPEEDOMETER CABLE	1	
10	(839-83540-00-00)	TACHOMETER ASSEMBLY ...	1	
11	256-84347-00-00	BULB	1	
12	(839-83536-40-00)	SOCKET, METER	1	
13	(839-83514-40-00)	PLATE, FITTING	1	
14	95380-05600-00	NUT	2	
15	92990-05100-00	WASHER, SPRING	2	
16	843-83560-01-00	TACHOMETER CABLE (843-83560-00)	1	

Property of www.SmallEngineDiscount.com - Not for Resale

ELECTRICAL



Ref. No.	Part Number	Description	Qty	Remarks
1	838-82310-40-00	IGNITION COIL ASSEMBLY ...	1	
2	(839-82310-40-00)	IGNITION COIL ASSEMBLY ...	1	
3	(838-82314-00-00)	COVER, IGNITN COIL	1	
4	98506-06070-00	SCREW, PAN HEAD	2	
5	92906-06100-00	WASHER, SPRING	2	
6	95316-06600-00	NUT	2	
7	663-82370-01-00	PLUG CAP ASSEMBLY	2	
8	(838-82508-20-00)	MAIN SWITCH ASSEMBLY ...	1	
9	806-82516-00-00	COLLAR, MAIN SWITCH	1	
10	822-82530-00-00	STOP SWITCH ASSEMBLY ...	1	
11	883-83976-00-00	SWITCH, HANDLE 1	1	
12	(841-82590-21-00)	WIRE HARNESS ASSEMBLY ..	1	
13	(838-82519-00-00)	WIRE, EARTH LEAD	1	
14	(841-82594-00-00)	CLAMP	1	

Property of www.SmallEngineDiscount.com - Not for Resale