



YAMAHA

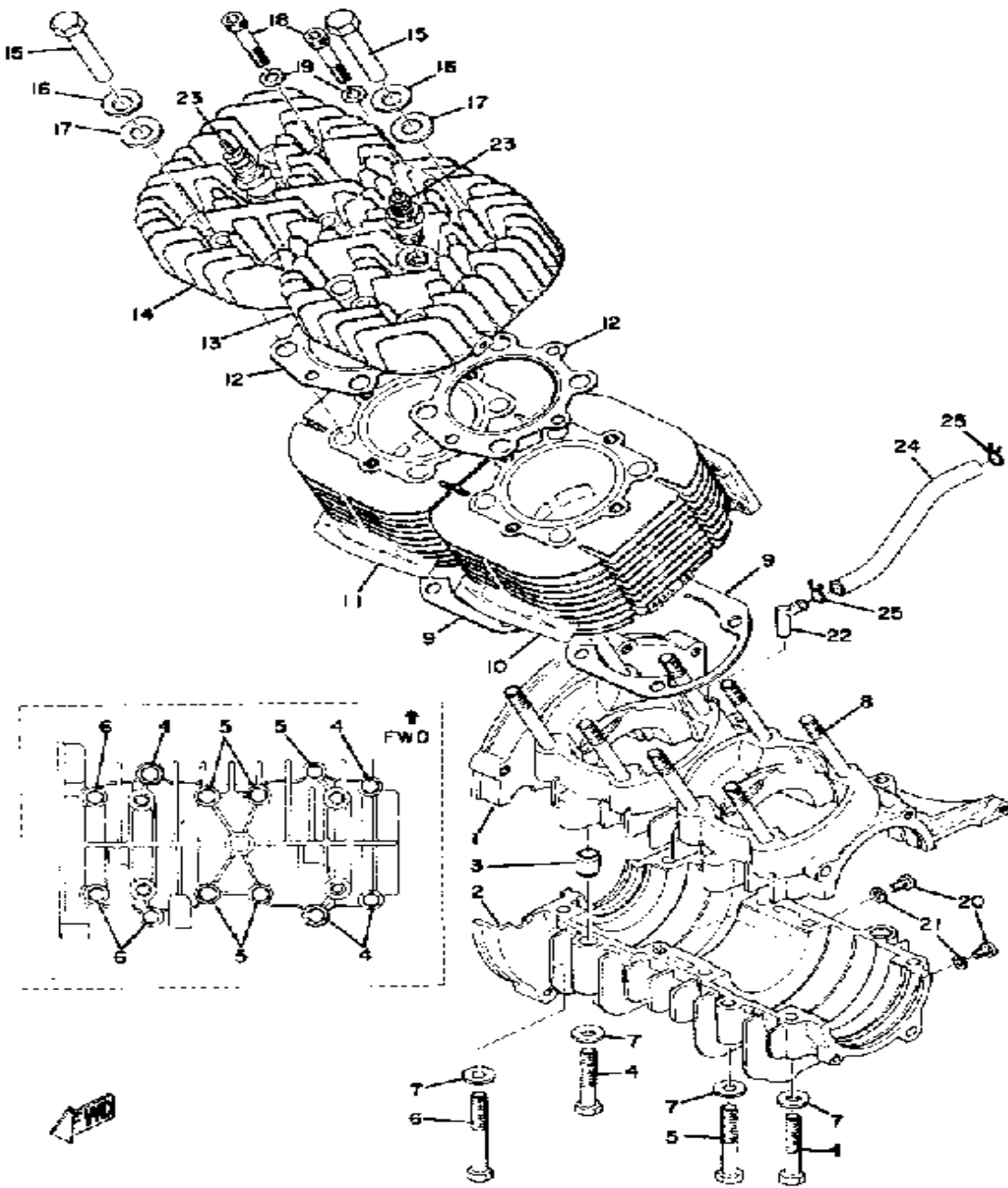
GENUINE

PARTS CATALOGUE

SNOWMOBILE

Property of www.SmallEngineDiscount.com - Not for Resale

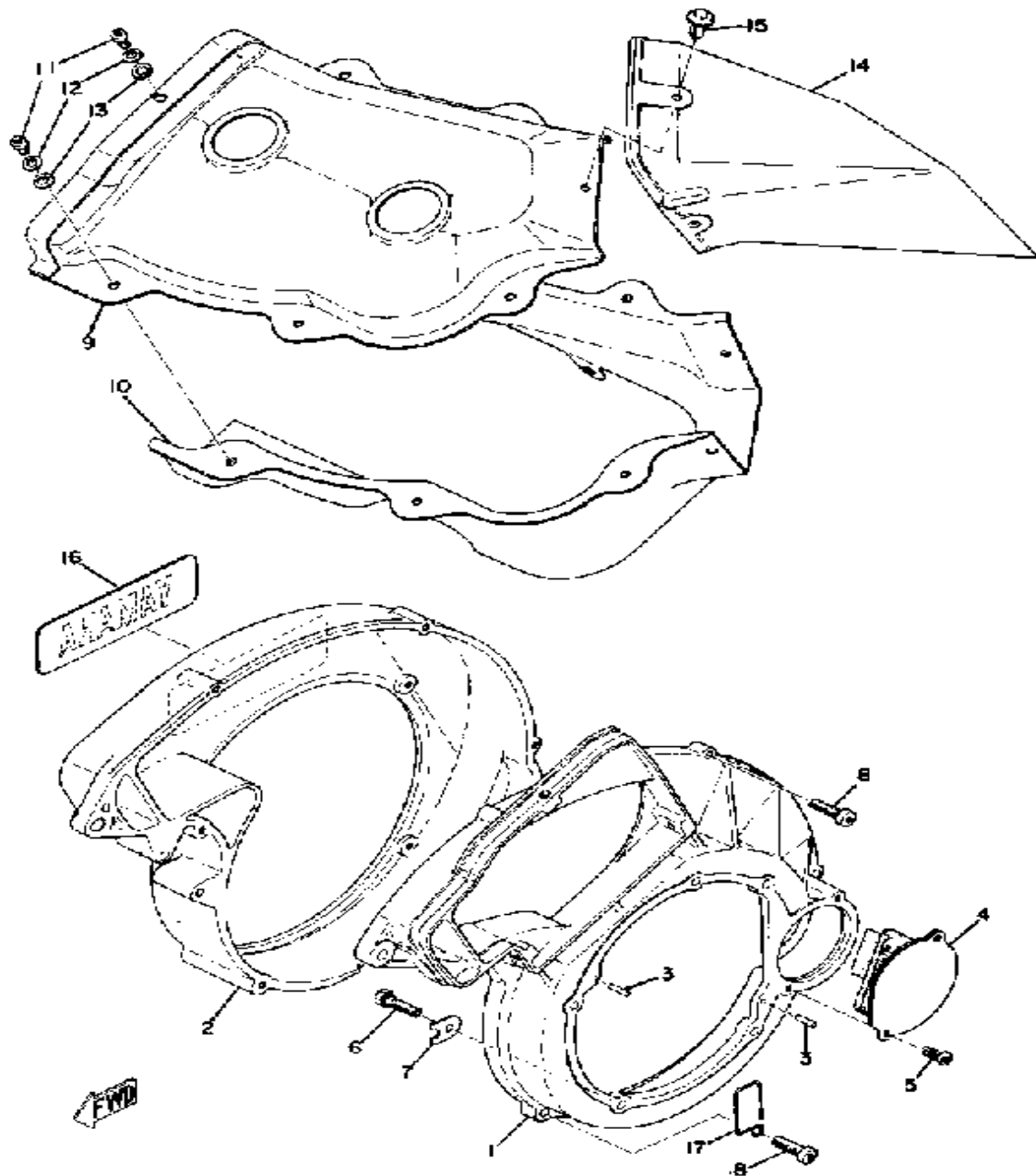
CRANKCASE - CYLINDER



Ref. No.	Part Number	Description	Qty	Remarks
3	99510-12016-00	. PIN, DOWEL	2	
4	97313-08050-00	BOLT, HEXAGON (90101-08125)	4	
5	97013-08060-00	BOLT (663)	5	
6	97021-08070-00	BOLT	3	
7	92990-08200-00	WASHER, PLAIN	12	
8	90116-08064-00	BOLT, STUD	8	
9	857-11351-00-00	GASKET, CYLINDER	2	
10	(866-11311-00-00)	CYLINDER 1	1	
11	866-11321-00-00	CYLINDER 2	1	
12	828-11181-70-00	GASKET, CYLINDER HEAD 1 .	2	
13	(866-11111-00-00)	HEAD, CYLINDER 1	1	
14	(866-11121-00-00)	HEAD, CYLINDER 2	1	
15	90179-08090-00	NUT, SPEC'L SHAPE	8	
16	90208-12015-00	WASHER, CONICAL SPRING ..	8	
17	92990-12200-00	WASHER, PLAIN	8	
18	91316-08050-00	BOLT	8	
19	92990-08200-00	WASHER, PLAIN	8	
20	98580-06010-00	SCREW, PAN HEAD (92503-06010)	2	
21	90430-06016-00	GASKET	2	
22	8E4-24461-00-00	PIPE, JOINT	1	
23	(CMP-N3G00-00-00)	CHAMPION N3G 10PK	2	CHAMPION
24	90445-10133-00	HOSE	1	
25	90460-11002-00	CLAMP, HOSE	2	
-1	838-15100-01-00	CRANKCASE ASSEMBLY	1	

Property of www.SmallEngineDiscount.com - Not for Resale

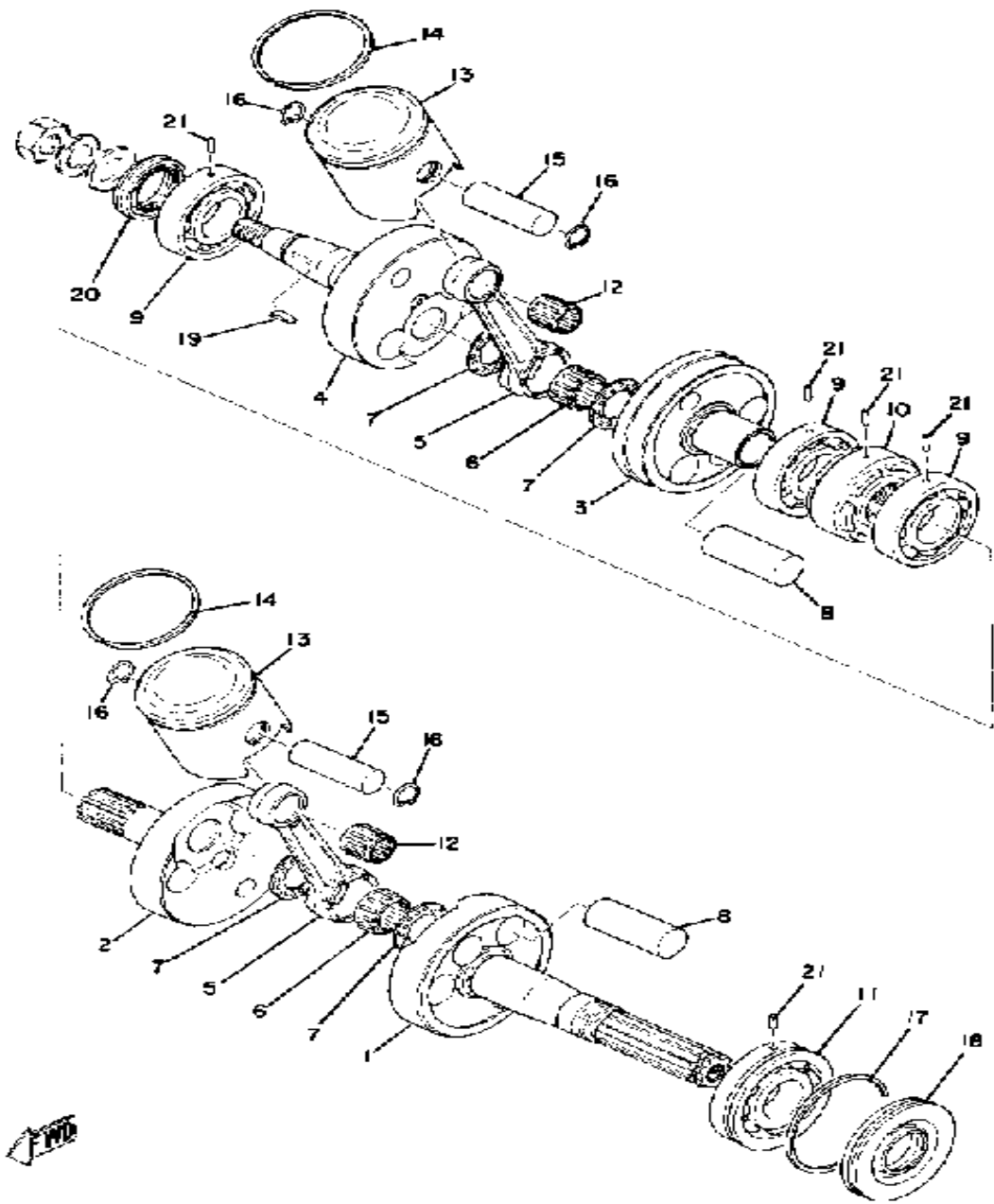
FAN CASE - AIR SHROUD



Ref. No.	Part Number	Description	Qty	Remarks
1	(838-12621-00-00)	CASE, FAN	1	
2	838-12622-00-00	CASE, FAN 2	1	
3	93604-12037-00	PIN, DOWEL	2	
4	(821-12633-00-00)	PLATE	1	
5	98580-05010-00	SCREW, PAN HEAD	2	
6	(807-12633-00-00)	PLATE	5	
7	(838-12624-00-00)	WASHER, LOCK 1	5	
8	98506-06025-00	SCREW, PAN HEAD	6	
9	8A1-12651-00-00	AIR SHROUD, CYLINDER 1 ...	1	
10	(866-12652-01-00)	AIR SHROUD, CYLINDER 2 ...	1	
11	98516-06012-00	SCREW, PAN HEAD	10	
12	92906-06100-00	WASHER, SPRING	10	
13	92906-06200-00	WASHER	10	
14	(841-12661-00-00)	DUCT	1	
15	(838-12666-00-00)	FASTENER	3	
16	(838-12629-00-00)	EMBLEM	1	
17	(841-24369-00-00)	CLAMP, OIL PIPE	1	

Property of www.SmallEngineDiscount.com - Not for Resale

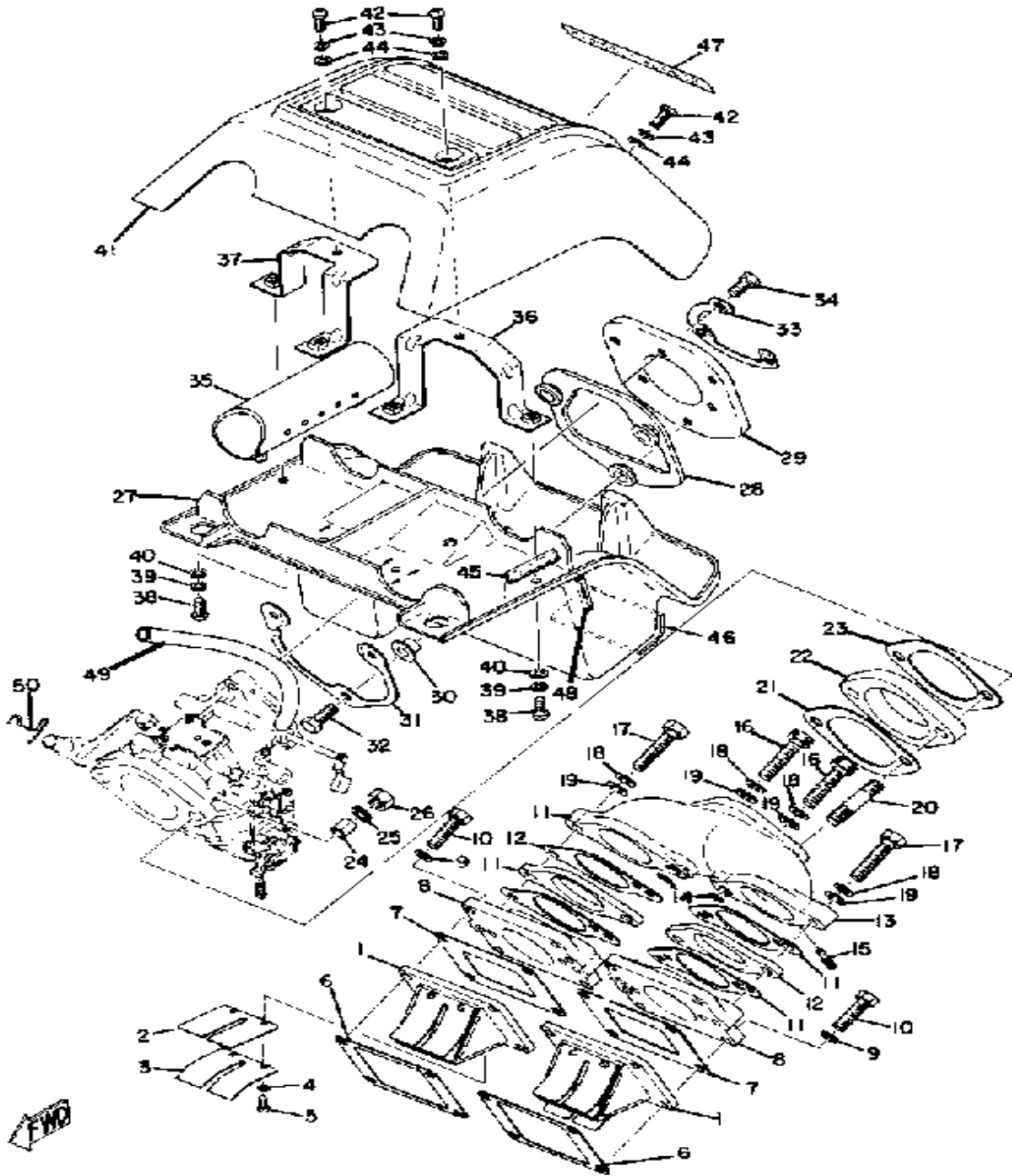
CRANK - PISTON



Ref. No.	Part Number	Description	Qty	Remarks
1	(838-11412-00-00)	CRANK 1	1	
2	(821-11422-01-00)	CRANK 2	1	
3	(821-11432-01-00)	CRANK 3	1	
4	(821-11442-00-00)	CRANK 4	1	
5	8A7-11651-00-00	. ROD, CONNECTING (838-11651-00)	2	
6	93310-42497-00	. BEARING, CYLINDER.# 0 ...	2	
7	90209-24073-00	. WASHER	4	
8	857-11681-00-00	. PIN, CRANK 1	2	
9	93306-20633-00	. BEARING	3	
10	(168-11515-00-00)	SEAL, LABYRINTH 1	1	
11	93306-30603-00	. BEARING	1	
12	93310-218A6-00	BEARING	2	
13	(866-11631-00-96)	PISTON STD	2	
	(866-11635-00-00)	PISTON 1 O/S 0.5	2	ALTERNATE PART
	(866-11636-00-00)	PISTON 2 O/S 0.0	2	ALTERNATE PART
14	820-11611-00-00	RING, PISTON (STD)	2	
	820-11611-10-00	RING, PISTON (1ST O.S)	2	ALTERNATE PART
	820-11611-20-00	RING, PISTON (2ND O.S)	2	ALTERNATE PART
15	818-11633-00-00	PIN, PISTON	2	
16	93450-20026-00	CIRCLIP	2	
17	93440-78011-00	CIRCLIP, OUTER	1	
18	93103-32054-00	OIL SEAL, SW-TYPE	1	
19	90280-05014-00	KEY, WOODRUFF	1	
20	93103-32156-00	OIL SEAL	1	
21	93604-12037-00	PIN, DOWEL	5	
-1	838-11400-00-00	CRANKSHAFT ASSEMBLY ...	1	

Property of www.SmallEngineDiscount.com - Not for Resale

INTAKE

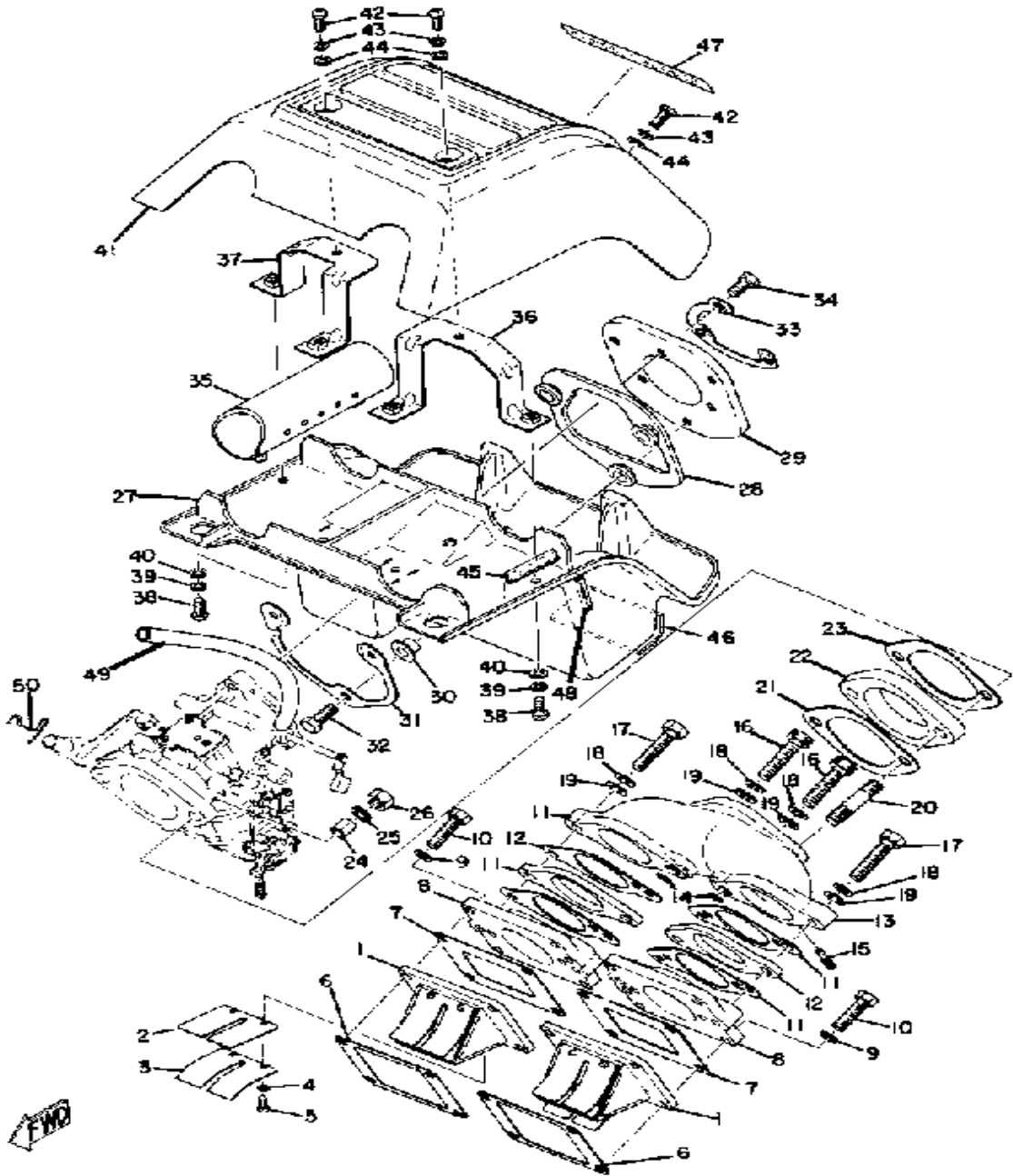


Ref. No.	Part Number	Description	Qty	Remarks
1	10V-13610-01-00	REED VALVE ASSEMBLY (885-13610-00)	2	
2	10V-13613-01-00	. REED, VALVE (1L8-13613-00)	4	
3	1UA-13616-00-00	. STOPPER REED VALVE VALVE (10V-13616-01)	4	
4	92990-03100-00	. WASHER, SPRING (92901-03100)	8	
5	98580-03008-00	. SCREW, PAN HEAD	8	
6	3TT-13621-00-00	GASKET, VALVE SEAT	2	
7	866-13563-00-00	GASKET	2	
8	(866-13585-00-00)	JOINT, CARBURETOR	2	
9	92995-06100-00	WASHER, SPRING	8	
10	97011-06025-00	BOLT (97001-06025)	8	
11	866-13566-00-00	GASKET	4	
12	(866-13555-00-00)	MANIFOLD, INTAKE	2	
13	866-13565-00-00	JOINT, CARBURETOR	1	
14	93210-07540-00	O-RING	2	
15	824-13552-00-00	NOZZLE	2	
16	91316-08025-00	BOLT, SOCKET HEAD	2	
17	97313-08035-00	BOLT, HEXAGON	2	
18	92990-08100-00	WASHER	4	
19	92990-08200-00	WASHER, PLAIN	4	
20	(90116-08051-00)	BOLT, STUD	2	
21	(834-13556-00-00)	GASKET, MANIFOLD	1	
22	866-13595-00-00	JOINT, CARBURETOR	1	
23	810-13566-00-00	GASKET	1	
24	(810-13576-00-00)	SPACER	2	
25	92990-08100-00	WASHER	2	
26	95303-08700-00	NUT	2	
27	(865-14431-01-00)	SILENCER, INTAKE 1	1	

CONTINUED ON NEXT FRAME ►

Property of www.SmallEngineDiscount.com - Not for Resale

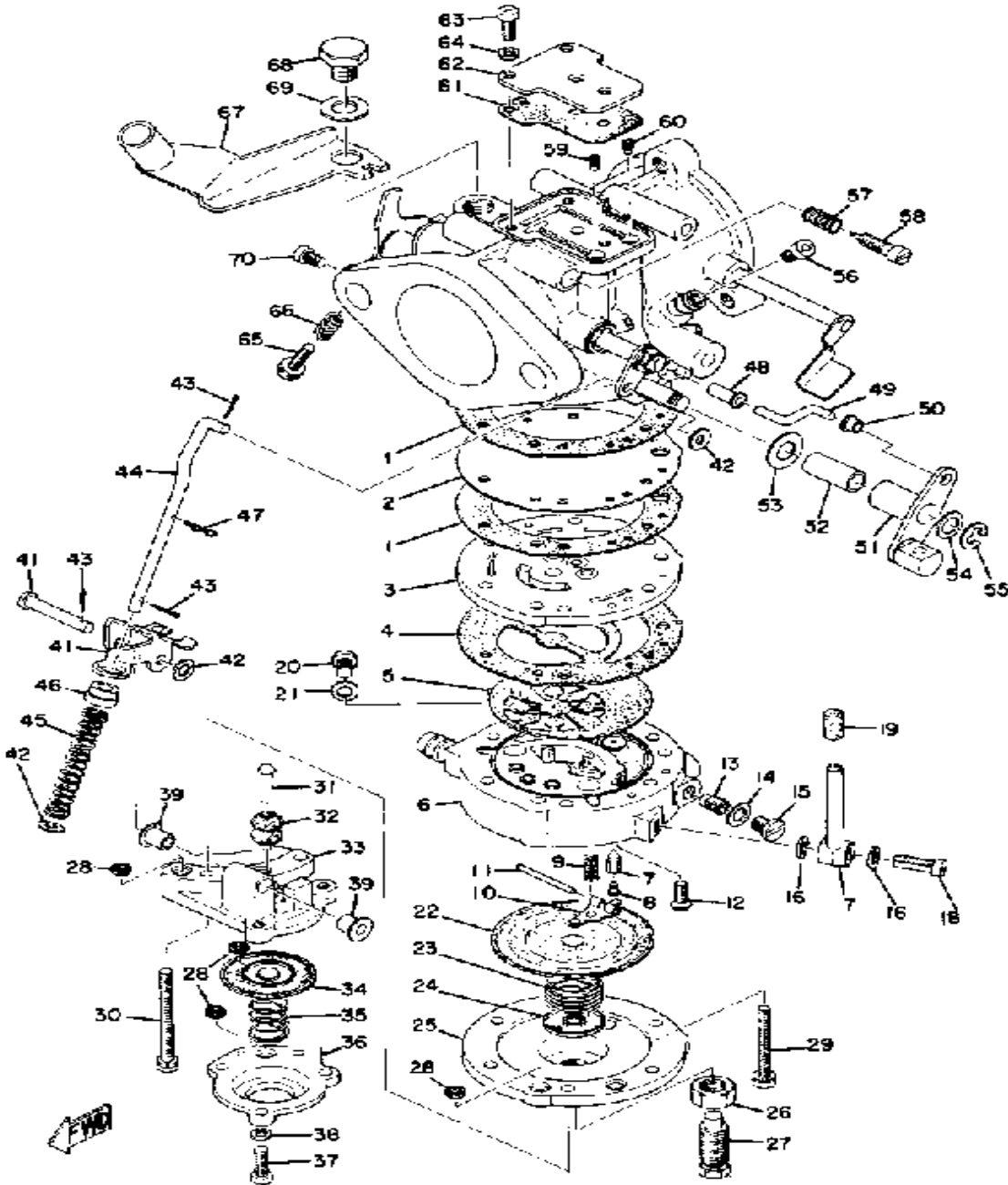
INTAKE



Ref. No.	Part Number	Description	Qty	Remarks
28	(865-14492-01-00)	DAMPER	1	
29	(866-14477-01-00)	PLATE	1	
30	90387-06024-00	COLLAR	3	
31	(866-14475-01-00)	WASHER	1	
32	97023-06020-00	BOLT (3XF)	3	
33	865-14475-01-00	WASHER	1	
34	97013-06012-00	BOLT	3	
35	(865-14419-00-00)	PIPE	2	
36	(865-14498-01-00)	STAY 1	1	
37	(866-14498-01-00)	STAY 1	1	
38	98580-05012-00	SCREW, PAN HEAD	4	
39	92990-05100-00	WASHER, SPRING	4	
40	92990-05200-00	WASHER, PLAIN	4	
41	(865-14441-00-00)	SILENCER, INTAKE 2	1	
42	98906-05012-00	SCREW, BIND	4	
43	92906-05100-00	WASHER, SPRING	4	
44	92906-05200-00	WASHER, PLAIN	4	
45	(865-14425-00-00)	DAMPER 1	2	
46	865-14458-00-00	GUIDE, ELEMENT	1	
47	(866-77351-00-00)	EMBLEM 1	1	
48	(847-77455-00-00)	INDICATOR, CHOKE	1	
49	90446-09078-00	HOSE	1	
50	822-41222-00-00	CLAMP, THROTTLE	1	

Property of www.SmallEngineDiscount.com - Not for Resale

CARBURETOR

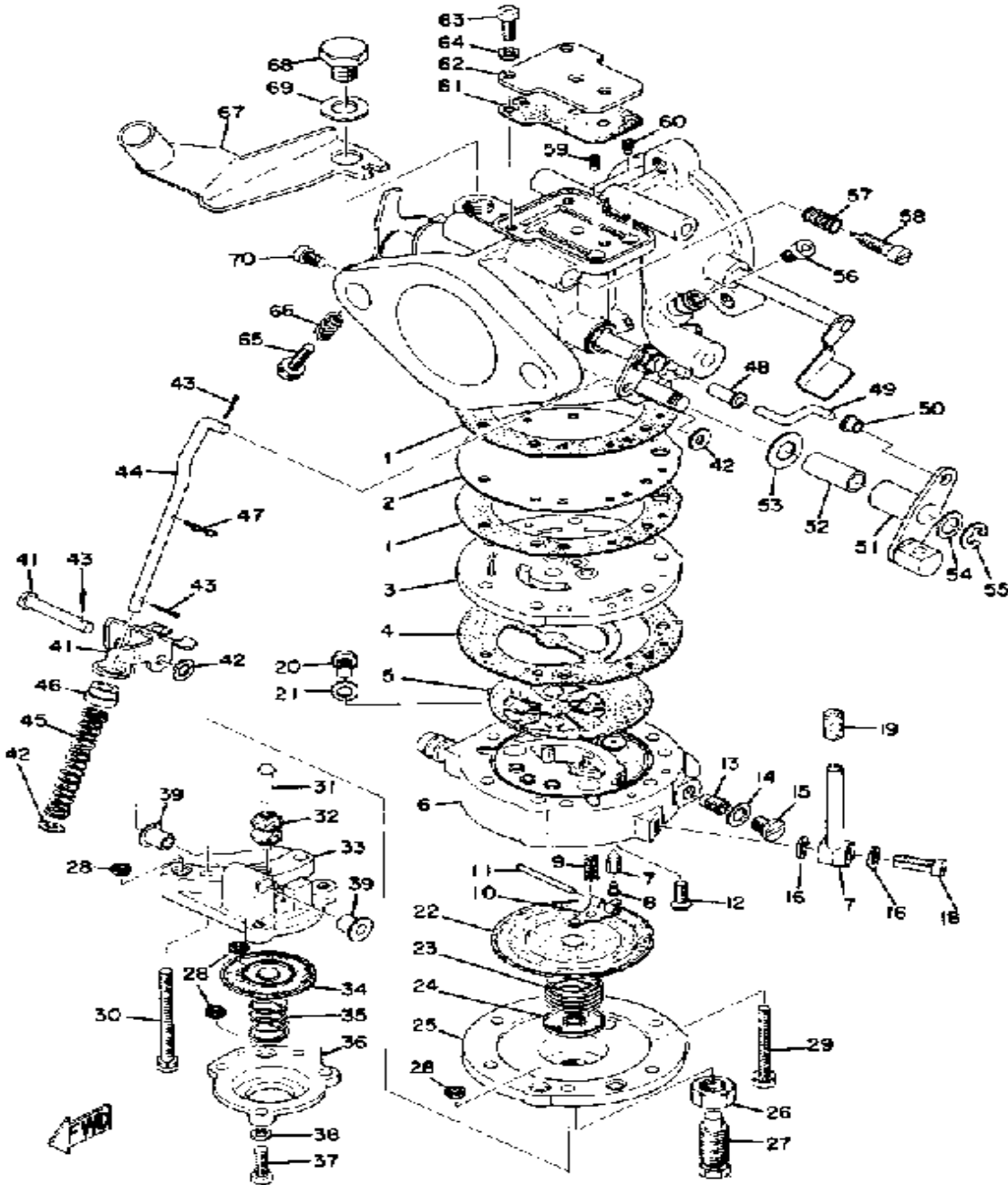


Ref. No.	Part Number	Description	Qty	Remarks
1	(865-14536-00-00)	GASKET	2	
2	865-14541-00-00	. DIAPHRAGM, PUMP	1	
3	(866-14542-00-00)	BODY, PUMP 1	1	
4	865-14553-01-00	. GASKET	1	
5	806-14552-01-00	. VALVE, CHECK	1	
6	866-14543-00-00	. BODY, PUMP 2	1	
7	838-14546-00-00	. VALVE, NEEDLE	1	
8	676-14186-00-00	. PIN, FLOAT	1	
9	810-14556-00-00	. SPRING	1	
10	(810-14547-00-00)	ARM, FLOAT	1	
11	(806-14548-00-00)	PIN, FLOAT ARM	1	
12	98702-03008-00	. SCREW, FLAT HEAD	1	
13	866-14517-00-00	. JET, MAIN #2 0	1	
14	(90201-06378-00)	WASHER, PLATE	1	
15	(371-14991-60-00)	SCREW	1	
16	806-14559-00-00	. WASHER	2	
17	810-14197-02-00	. PIPE, AIRVENT	1	
18	8A1-14592-00-00	. SCREW	1	
19	810-24462-01-00	. CAP, BLIND	1	
20	(806-14567-01-00)	SCREW	1	
21	810-14597-00-00	. WASHER	1	
22	810-14545-00-00	. DIAPHRAGM	1	
23	90501-06213-00	. SPRING, COMPRESSION	1	
24	(810-14136-00-00)	SEAT, SPRING	1	
25	(866-14544-00-00)	BODY, PUMP 3	1	
26	95303-08700-00	. NUT	1	
27	824-14565-00-00	. SCREW, STOP	1	
28	866-14561-00-00	. O-RING	6	
29	(824-14567-00-00)	SCREW	4	

CONTINUED ON NEXT FRAME ➤

Property of www.SmallEngineDiscount.com - Not for Resale

CARBURETOR

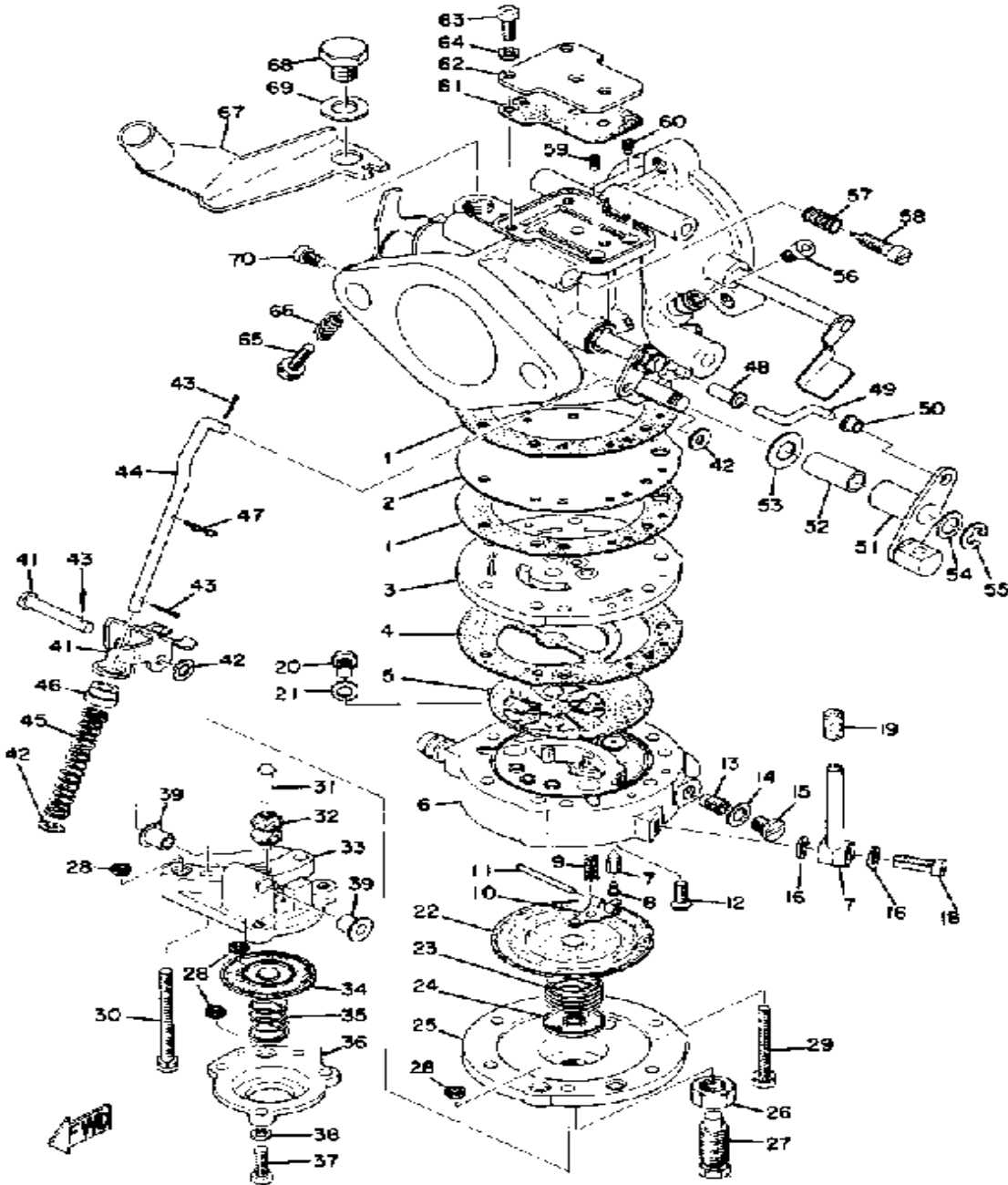


Ref. No.	Part Number	Description	Qty	Remarks
30	(858-14567-00-00)	SCREW	2	
31	866-14548-00-00	. PIN, FLOAT ARM	1	
32	(866-14967-00-00)	COVER	1	
33	(866-14551-00-00)	BODY, PUMP 4	1	
34	(866-14545-00-00)	DIAPHRAGM	1	
35	90501-08212-00	. UNAVAILABLE IN PRICE BOOK	1	
36	(866-14540-00-00)	COVER, FUEL	1	
37	98511-04012-00	. SCREW, PAN HEAD	4	
38	92901-04100-00	. WASHER, SPRING	4	
39	(866-14578-00-00)	COLLAR	2	
40	(866-14528-00-00)	ARM	1	
41	(866-14554-00-00)	PIN, LEVER	1	
42	90201-08410-00	. WASHER, PLATE	3	
43	91490-12012-00	. PIN, COTTER	3	
44	866-14577-00-00	. ROD	1	
45	(866-14589-00-00)	SPRING	1	
46	(866-14535-00-00)	COLLAR	1	
47	(866-14579-00-00)	SPRING	1	
48	(865-14535-00-00)	COLLAR	1	
49	(865-14577-00-00)	ROD	1	
50	865-14534-00-00	. COLLAR	1	
51	865-14573-00-00	. LEVER	1	
52	(806-14534-00-00)	COLLAR	1	
53	90202-07055-00	. WASHER, PLATE	1	
54	90202-06056-00	. WASHER, PLATE	1	
55	99080-05600-00	. CIRCLIP	1	
56	(866-14516-85-00)	JET, MAIN #1 5	1	U.R.
	(866-14516-90-00)	JET, MAIN #1 0	1	U.R.

CONTINUED ON NEXT FRAME ►

Property of www.SmallEngineDiscount.com - Not for Resale

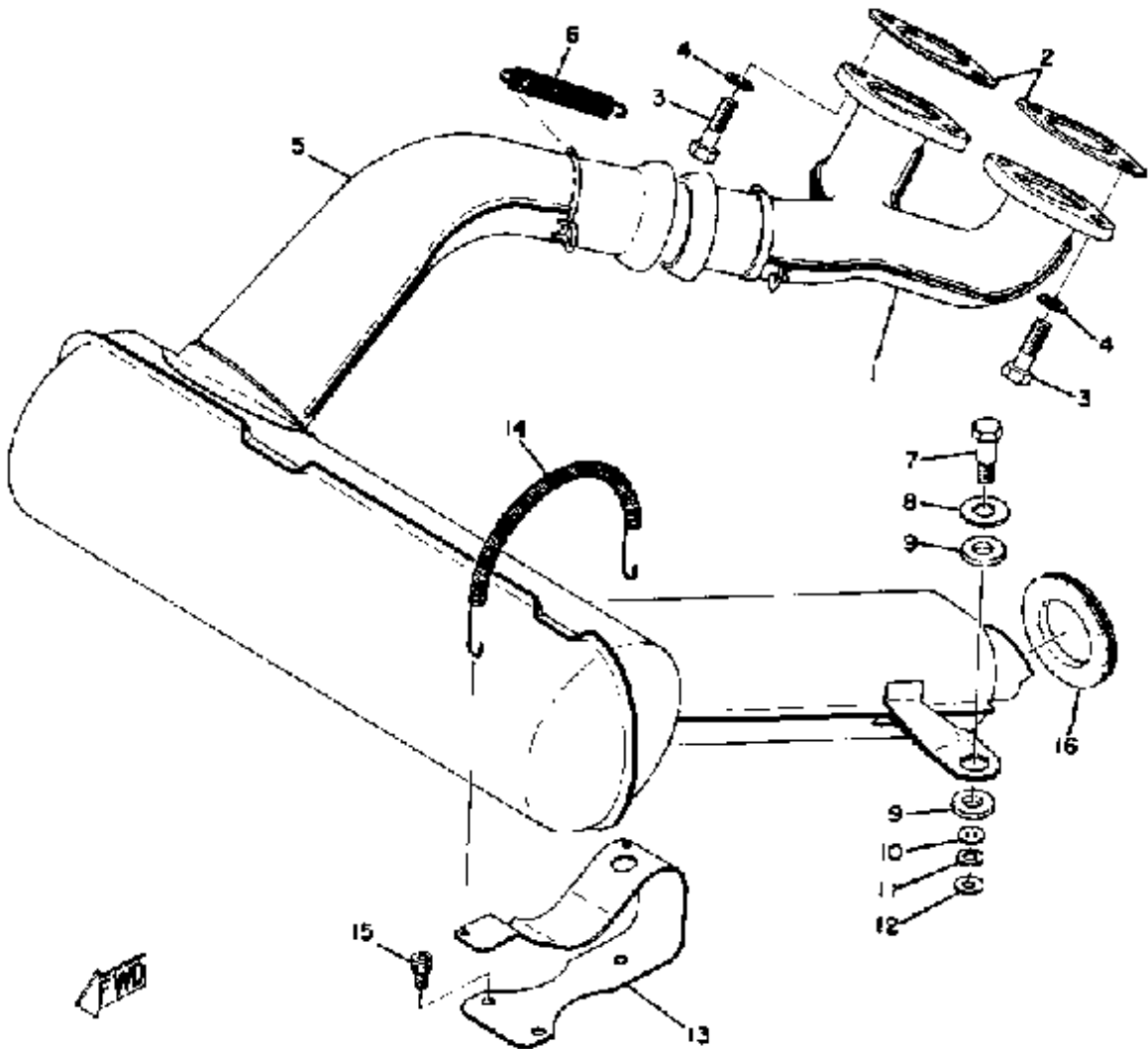
CARBURETOR



Ref. No.	Part Number	Description	Qty	Remarks
56	(866-14516-95-00)	JET, MAIN #1 5	1	U.R.
	(866-14517-10-00)	JET, MAIN #2 0	1	U.R.
	866-14517-00-00	. JET, MAIN #2 0	1	U.R. STD
57	90501-08214-00	. SPRING, COMPRESSION	1	
58	(865-14522-00-00)	SCREW, ADJUST	1	
59	865-14515-50-00	. JET #50 (#50)	1	
60	865-14515-62-00	. JET #62 (#62)	1	
61	(865-14537-00-00)	GASKET	1	
62	(865-14527-00-00)	PLATE	1	
63	98580-04010-00	. SCREW, PAN HEAD	3	
64	92901-04100-00	. WASHER, SPRING	3	
65	(810-14523-00-00)	SCREW, STOP	1	
66	(806-14533-00-00)	SPRING, AJST SCREW	1	
67	865-14571-01-00	. BRACKET, THROTTLE	1	
68	97313-08012-00	. BOLT	1	
69	92990-08100-00	. WASHER	1	
70	98511-04006-00	. SCREW, PAN HEAD (98501-04005)	1	
-1	(866-14501-00-00)	CARBURETOR ASSEMBLY 1	1	

Property of www.SmallEngineDiscount.com - Not for Resale

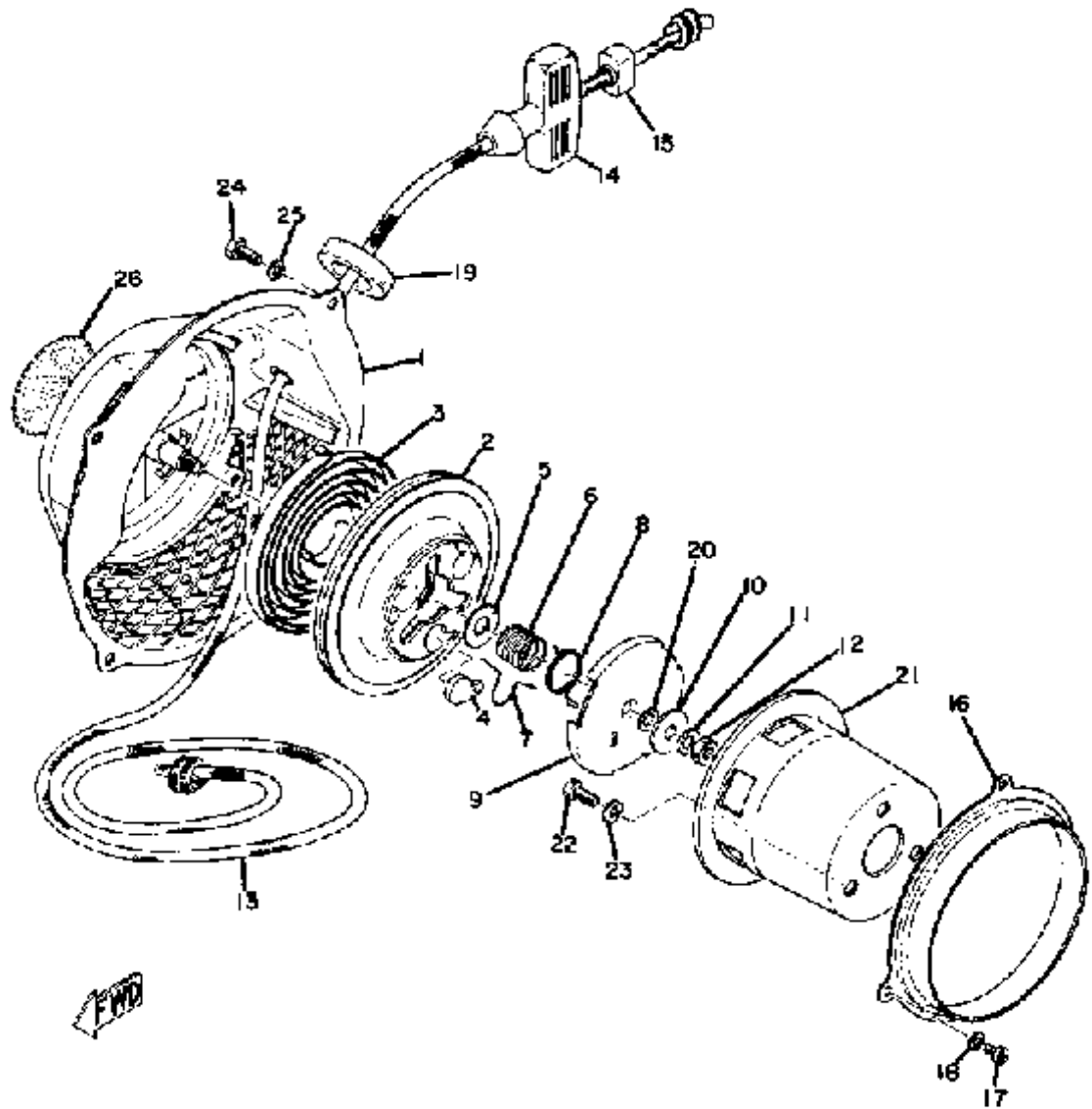
EXHAUST



Ref. No.	Part Number	Description	Qty	Remarks
1	(828-14610-00-00)	EXHAUST PIPE ASSEMBLY L .	1	
2	821-14613-01-00	GASKET, EXHAUST PIPE	2	
3	806-14651-00-00	BOLT	4	
4	92990-08100-00	WASHER	4	
5	(866-14710-00-00)	MUFFLER ASSEMBLY L	1	
6	821-14773-00-00	SPRING, MUFFLER	2	
7	(90109-08403-00)	BOLT	1	
8	90201-12190-00	WASHER, PLATE	1	
9	865-14757-00-00	DAMPER, MUFFLER 2	2	
10	(90560-08065-00)	SPACER	1	
11	92990-08100-00	WASHER	1	
12	(90201-07080-00)	WASHER, PLATE	1	
13	(865-14771-00-00)	STAY, MUFFLER 1	2	
14	90506-16076-00	SPRING, TENSION	2	
15	90110-06145-00	BOLT, HEX.SOCKET	4	
16	865-14718-01-00 (865-14718-00)	PROTECTOR, MUFF 1	1	

Property of www.SmallEngineDiscount.com - Not for Resale

STARTER

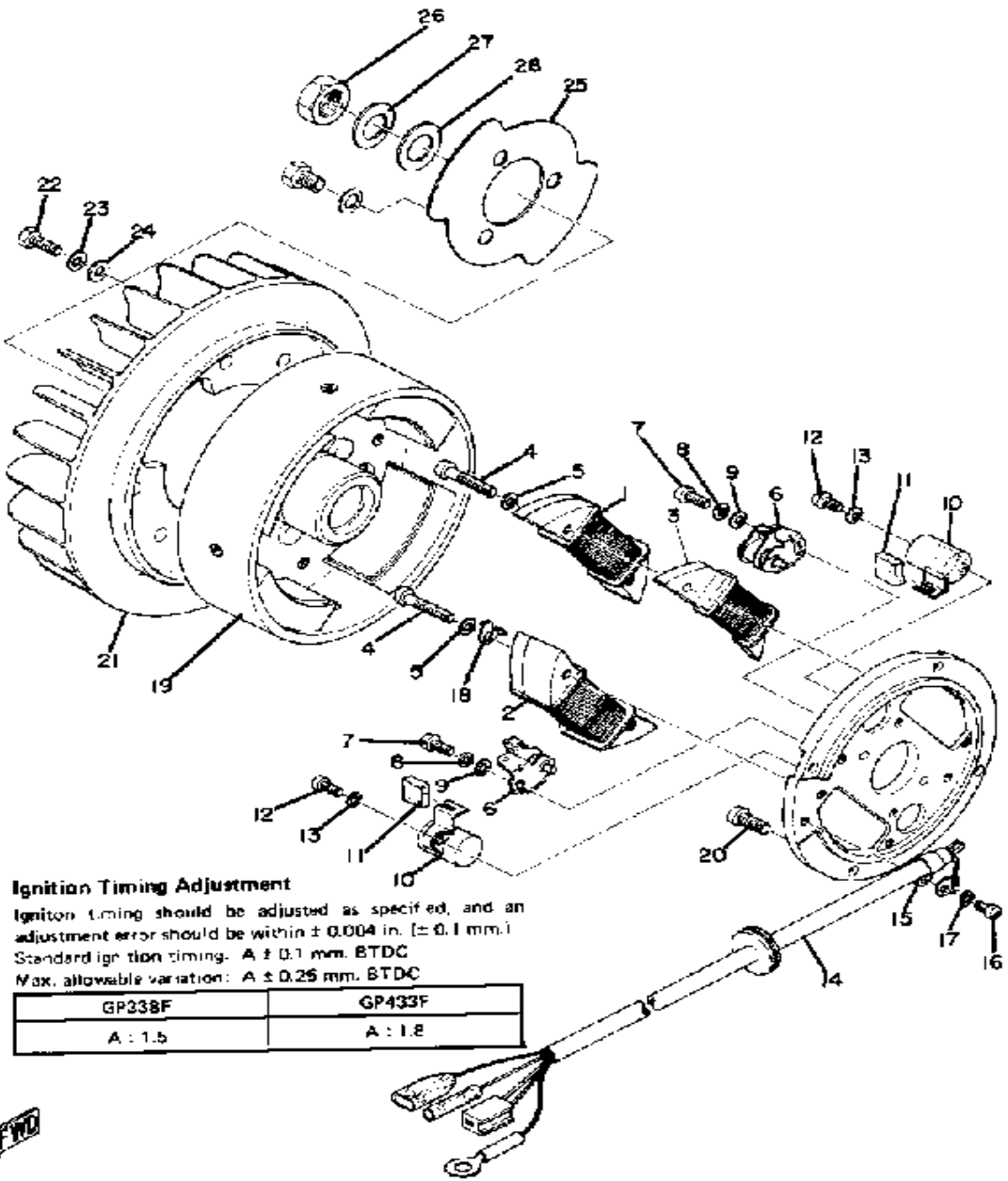


Ref. No.	Part Number	Description	Qty	Remarks
1	(821-15711-00-00)	CASE, STARTER	1	
2	811-15714-00-00	. DRUM, SHEAVE	1	
3	8Y0-15713-00-00	. SPRING, STARTER	1	
4	616-15741-01-00	. PAWL, DRIVE	3	
5	(802-15726-00-00)	WASHER, FLAT	1	
6	626-15715-01-00	. SPRING, DRIVE PLATE (807-15715-00)	1	
7	811-15784-00-00	. SPRING, RETURN	3	
8	811-15734-00-00	. SPRING, RETURN	1	
9	811-15716-00-00	. PLATE, DRIVE	1	
10	807-15726-01-00	. WASHER, FLAT	1	
11	92990-08100-00	. WASHER	1	
12	95303-08700-00	. NUT	1	
13	(807-15751-00-00)	ROPE, STARTER	1	
14	807-15755-00-00	. HANDLE, STARTER	1	
15	619-15756-00-00	. CONNECTOR 1	1	
16	(811-15782-00-00)	COVER, SHEAVE	1	
17	98580-05010-00	. SCREW, PAN HEAD	3	
18	92990-05100-00	. WASHER, SPRING	3	
19	(811-15775-00-00)	KNOB, STOPPER RING	1	
20	(811-15722-00-00)	SHIM	1	
21	(811-15723-00-00)	PULLEY, STARTER	1	
22	97313-08016-00	BOLT, HEXAGON	3	
23	92990-08100-00	WASHER	3	
24	97016-06016-00	BOLT	4	
25	92906-06100-00	WASHER, SPRING	4	
26	(838-15791-00-00)	EMBLEM	1	
-1	(821-15710-00-00)	STARTER ASSEMBLY	1	

Property of www.SmallEngineDiscount.com - Not for Resale

FLYWHEEL MAGNETO

Ref. No.	Part Number	Description	Qty	Remarks
1	8A0-81312-20-00	. COIL, SOURCE	1	
2	(838-81313-20-00)	COIL, LIGHTING 1	1	
3	(838-81314-20-00)	COIL, LIGHTING 2	1	
4	802-81345-20-00	. SCREW, PAN HEAD	4	
5	92990-05100-00	. WASHER, SPRING	4	
6	806-81321-20-00	. CONTACT BRKR ASSEMBLY	2	
7	110-81346-21-00	. SCREW, PAN HEAD	2	
8	92901-04100-00	. WASHER, SPRING	2	
9	92990-04200-00	. WASHER, PLAIN	2	
10	802-81325-90-00	. CONDENSER 1	2	
11	116-81331-20-00	. LUBRICATOR	2	
12	110-81346-21-00	. SCREW, PAN HEAD	2	
13	92901-04100-00	. WASHER, SPRING	2	
14	(838-81315-21-00)	LEAD WIRE ASSEMBLY	1	
15	104-81328-20-00	. CLAMP	1	
16	98580-04008-00	. SCREW, PAN HEAD	1	
17	92901-04100-00	. WASHER, SPRING	1	
18	(812-81332-20-00)	PLATE, TIMING	1	
19	(838-81350-20-00)	ROTOR ASSEMBLY	1	
20	98503-06014-00	SCREW, PAN HEAD (92502-06016)	4	
21	838-12611-00-00	FAN	1	
22	90101-06127-00	BOLT	6	
23	92995-06100-00	WASHER, SPRING	6	
24	90201-06M08-00	WASHER, PLATE	6	
25	(812-81362-00-00)	COVER, HOLE		
	(812-81362-00-00)	COVER, HOLE	1	
26	90170-16182-00	NUT	1	
27	92901-16100-00	WASHER, SPRING	1	

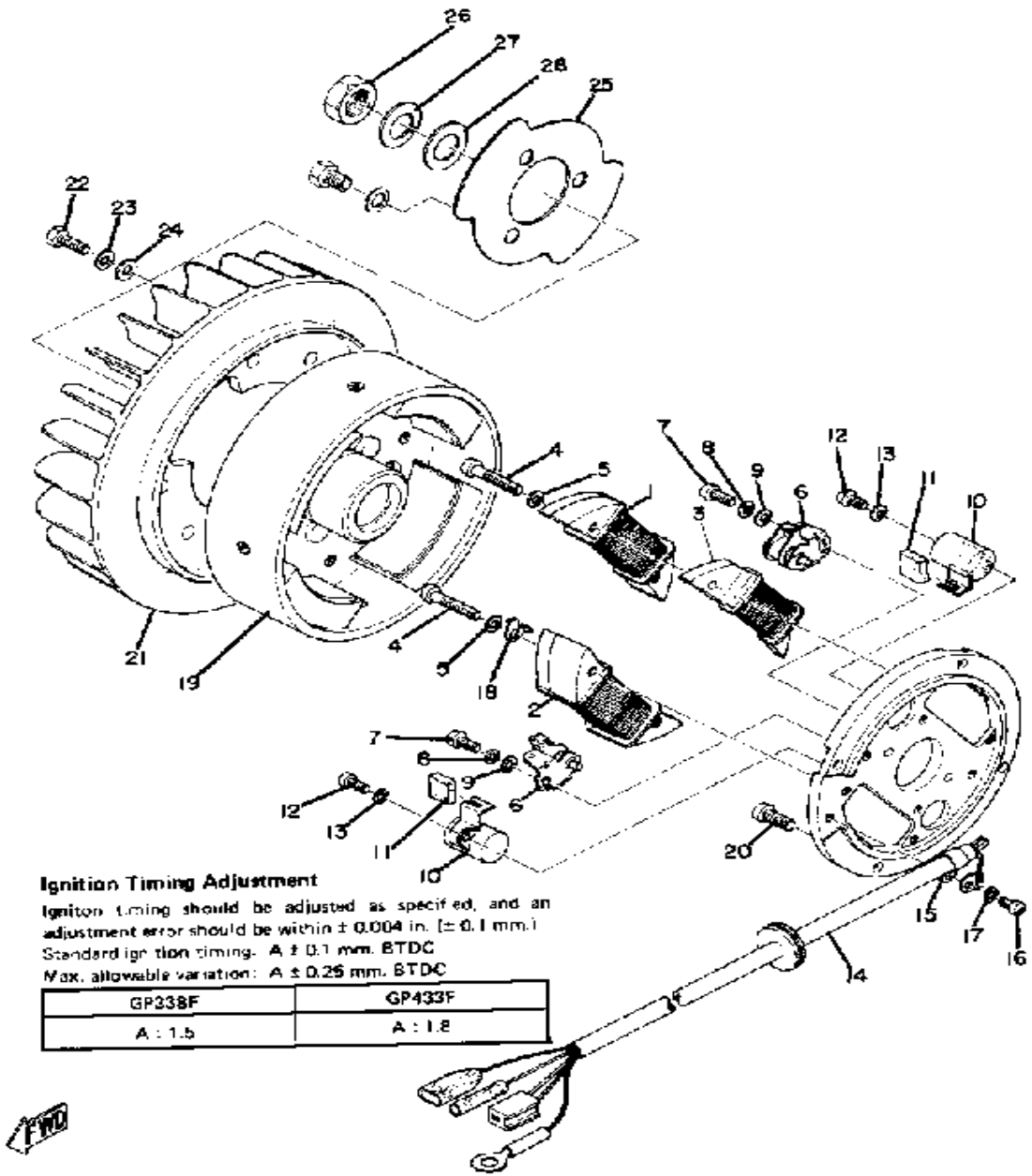


CONTINUED ON NEXT FRAME ►

Property of www.SmallEngineDiscount.com - Not for Resale

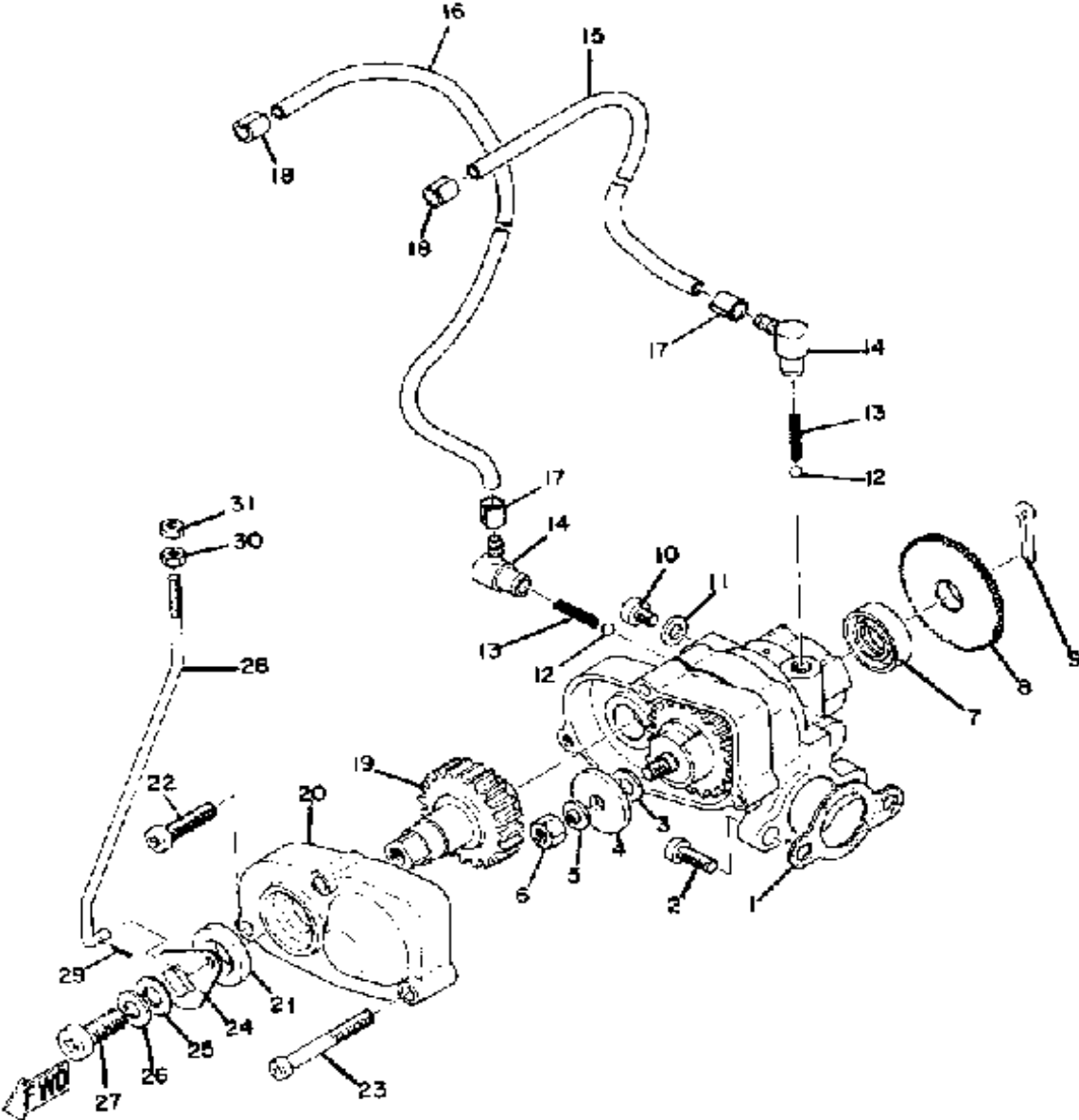
FLYWHEEL MAGNETO

Ref. No.	Part Number	Description	Qty	Remarks
28	(92901-16247-00)	WASHER	1	
-1	(861-81300-20-00)	FLYWHL MAGNETO ASSEMBLY	1	



Property of www.SmallEngineDiscount.com - Not for Resale

OIL PUMP

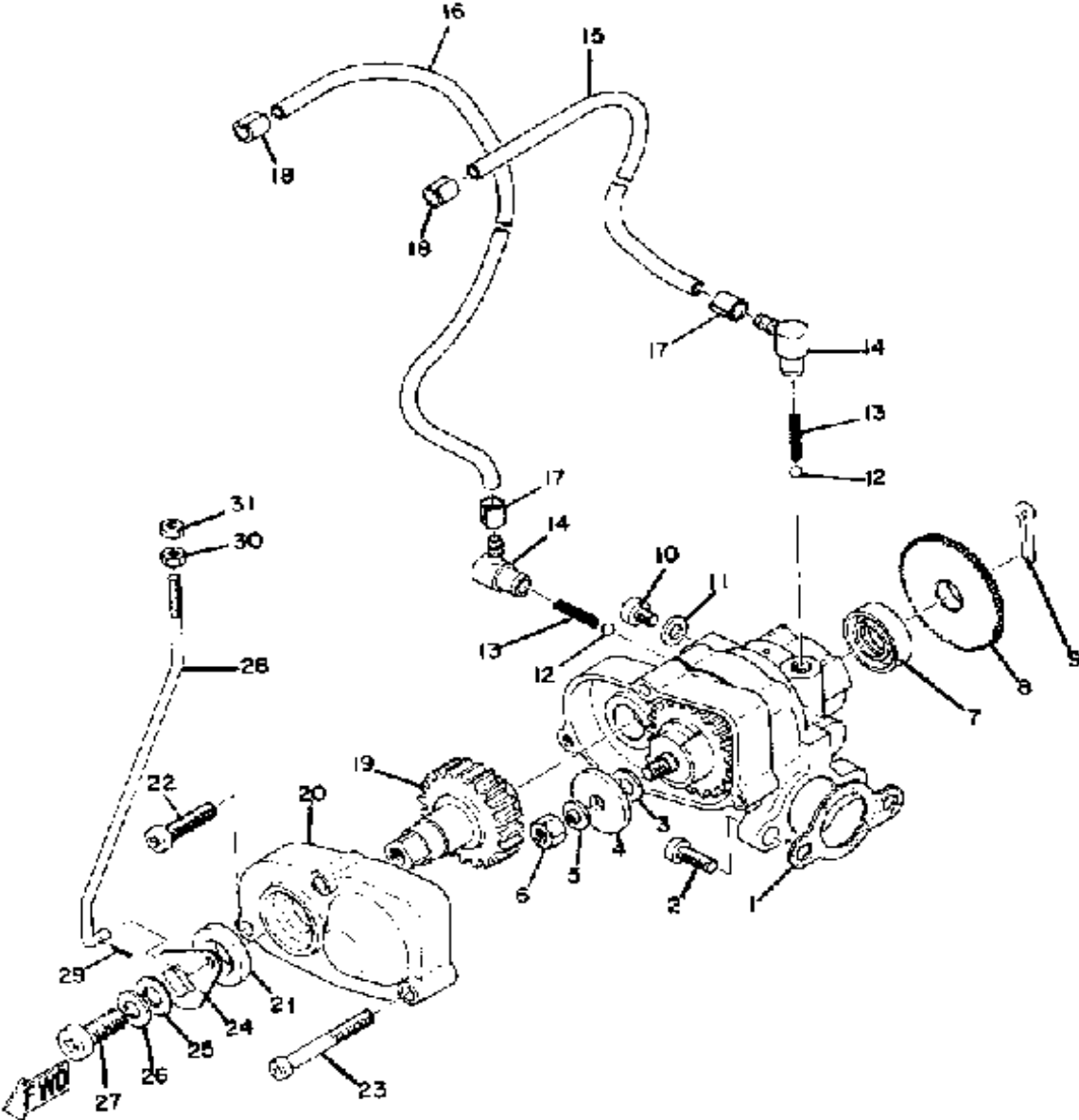


Ref. No.	Part Number	Description	Qty	Remarks
1	3MT-13116-00-00	GASKET, PUMP CASE (8Y0-13116-00)	1	
2	98580-05016-00	SCREW, PAN HEAD	2	
3	137-13137-00-03	. SHIM (0.3T)	1	
	137-13137-00-05	. SHIM (0.5T)	1	
	137-13137-00-10	. SHIM (1.0T)	1	
4	137-13138-01-00	. PLATE, ADJUSTING	1	
5	92990-05100-00	. WASHER, SPRING	1	
6	95380-05600-00	. NUT	1	
7	93101-10090-00	. OIL SEAL	1	
8	(137-13128-00-00)	PLATE, STARTER	1	
9	91401-12018-00	. PIN, COTTER	1	
10	98901-04008-00	. SCREW, BIND	1	
11	90430-04004-00	. GASKET	1	
12	93505-32002-00	. BALL	2	
13	90501-02018-00	. SPRING, COMPRESSION	2	
14	353-13552-01-00	. NOZZLE	2	
15	90445-05022-00	. HOSE	1	
16	90445-05029-00	. HOSE (807-13171-00)	1	
17	90468-02033-00	. CLIP	2	
18	90468-02033-00	CLIP	1	
19	(838-13154-01-00)	GEAR, PUMP CONTROL	1	
20	(859-13146-00-00)	COVER, AJST PULLEY	1	
21	93104-12043-00	OIL SEAL, SO-TYPE (SO-12-20-4)	1	
22	98511-04020-00	SCREW, PAN HEAD	1	
23	98501-04035-00	SCREW, PAN HEAD	2	
24	(812-13156-00-00)	LEVER, PUMP CONTROL	1	
25	92990-06200-00	WASHER	1	

CONTINUED ON NEXT FRAME ►

Property of www.SmallEngineDiscount.com - Not for Resale

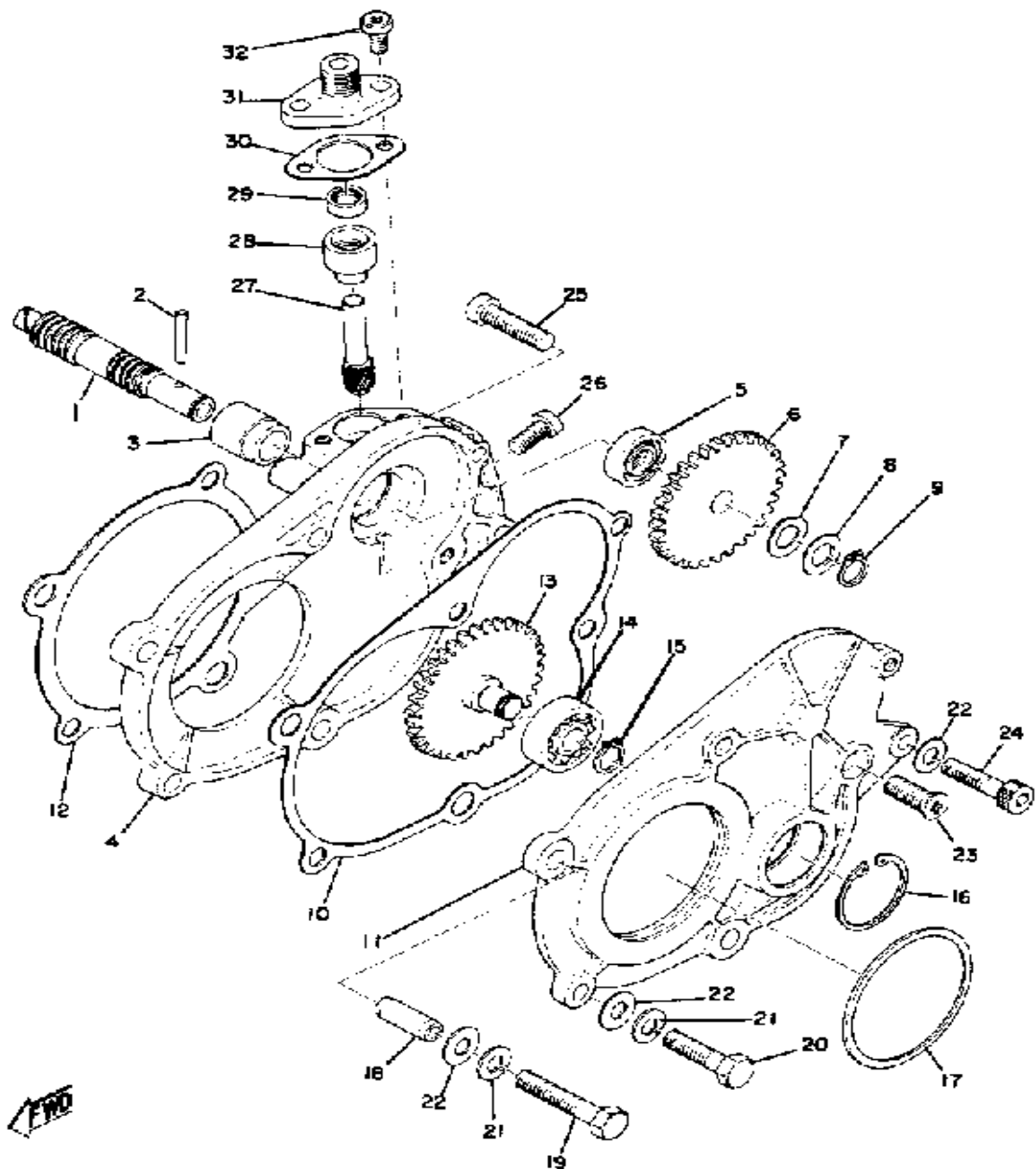
OIL PUMP



Ref. No.	Part Number	Description	Qty	Remarks
26	92995-06100-00	WASHER, SPRING	1	
27	98503-06014-00	SCREW, PAN HEAD (92502-06016)	1	
28	866-13157-01-00	ROD, PUMP CONTROL	1	
29	91490-12012-00	PIN, COTTER	1	
30	90170-03008-00	NUT, HEXAGON (807-13139-00)	1	
31	90185-03007-00	NUT, SELF-LOCKING (838-13139-00)	1	
-1	(866-13101-00-00)	OIL PUMP ASSEMBLY	1	

Property of www.SmallEngineDiscount.com - Not for Resale

PUMP DRIVE - GEAR

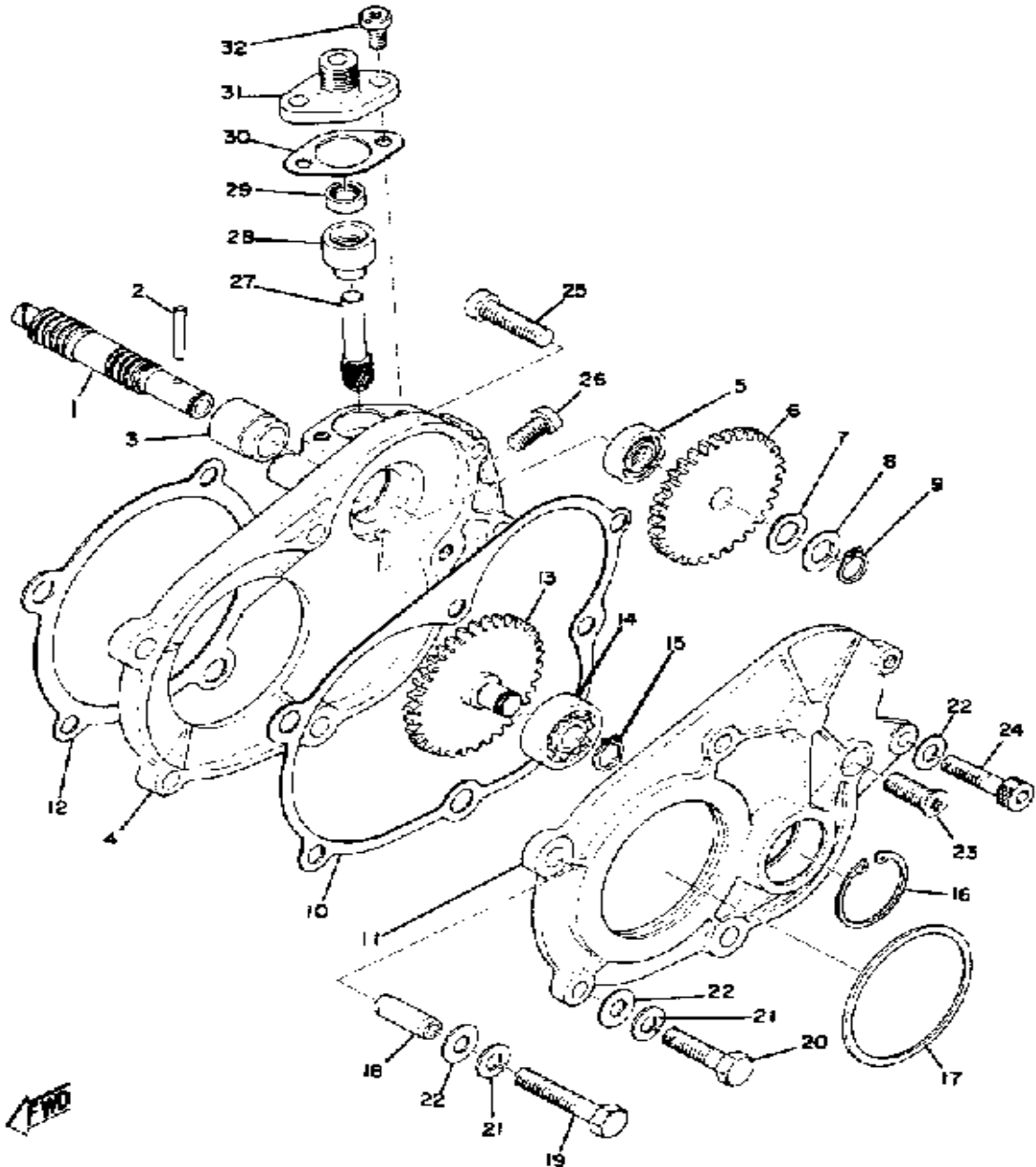


Ref. No.	Part Number	Description	Qty	Remarks
1	866-13175-00-00	SHAFT, WORM	1	
2	93603-22028-00	PIN, DOWEL	1	
3	821-13176-00-00	METAL, WORM SHAFT OUTER	1	
4	(8E3-15416-00-00)	COVER, OIL PUMP	1	
5	93101-10090-00	OIL SEAL	1	
6	821-13188-00-00	GEAR, DRIVE (32T)	1	
7	90206-11016-00	WASHER, WAVE	1	
8	137-13148-00-00	PLATE, CAM THRUST	1	
9	99009-10400-00	CIRCLIP	1	
10	859-15466-00-00	GASKET 2	1	
11	838-15426-00-00	COVER, OIL PUMP R	1	
12	838-15456-00-00	GASKET, O/PMP CVR 1	1	
13	(821-13179-00-00)	GEAR, IDLE	1	
14	93306-00002-00	BEARING (B6000RS)	1	
15	99009-10400-00	CIRCLIP	1	
16	93420-26024-00	CIRCLIP, R-TYPE (R-26)	1	
17	(838-13119-00-00)	SEAL, GREASE	1	
18	91810-18022-00	PIN, DOWEL	2	
19	97013-06035-00	BOLT	2	
20	97011-06025-00	BOLT (97001-06025)	2	
21	92995-06100-00	WASHER, SPRING	4	
22	92990-06200-00	WASHER	5	
23	98701-06014-00	SCREW, FLAT HEAD	1	
24	91316-06025-00	BOLT	1	
25	98511-06025-00	SCREW PAN HEAD (92501-06025)	1	
26	98580-06012-00	SCREW, PAN HEAD	1	
27	813-17841-00-00	GEAR, DRIVEN (10T)	1	
28	821-17843-00-00	BUSH, DRIVEN GEAR OUTER	1	

CONTINUED ON NEXT FRAME ►

Property of www.SmallEngineDiscount.com - Not for Resale

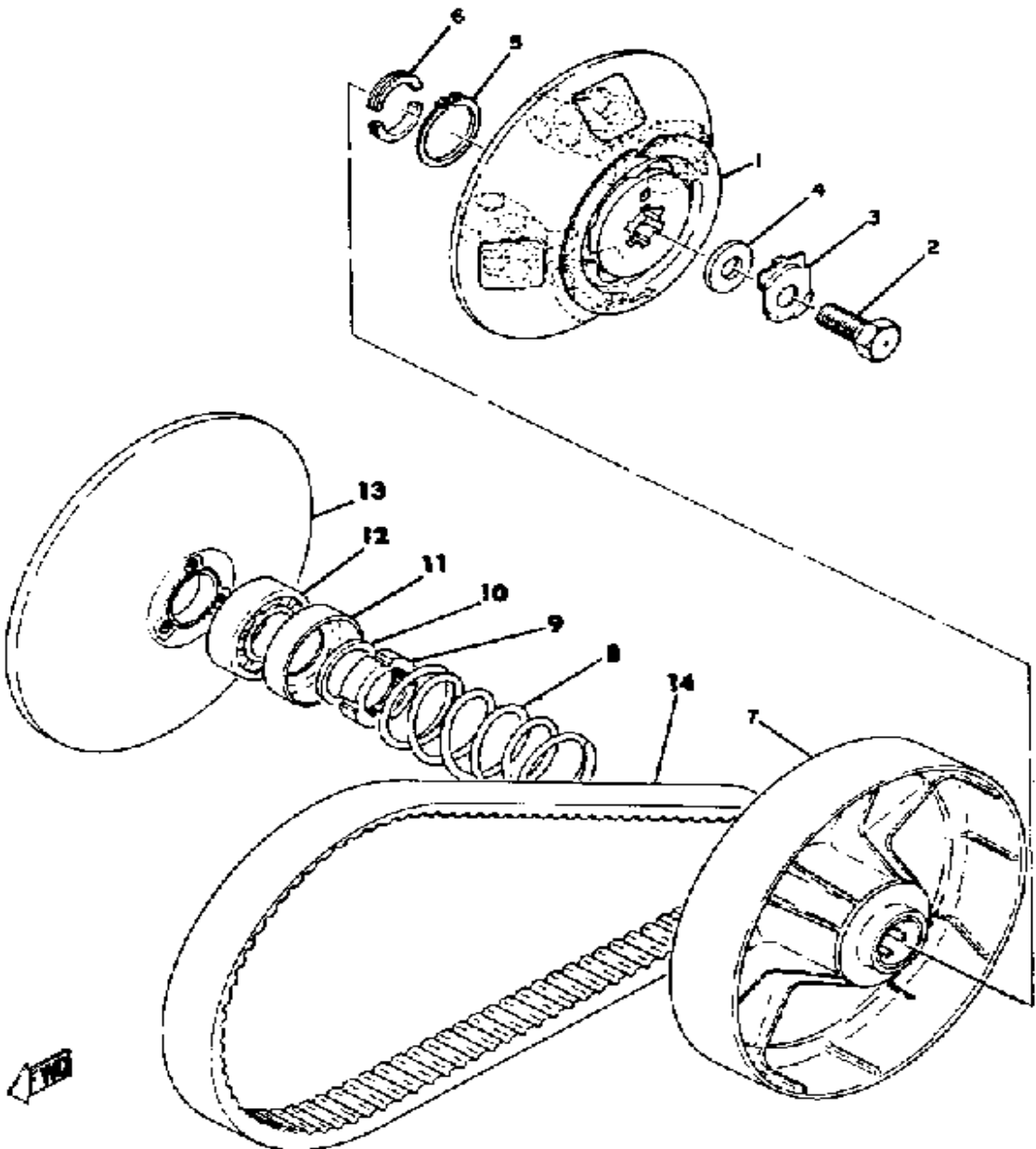
PUMP DRIVE - GEAR



Ref. No.	Part Number	Description	Qty	Remarks
29	93104-06033-00	OIL SEAL	1	
30	821-17818-02-00	GASKET	1	
31	821-17819-00-00	CAP, HOUSING	1	
32	98580-05010-00	SCREW, PAN HEAD	1	

Property of www.SmallEngineDiscount.com - Not for Resale

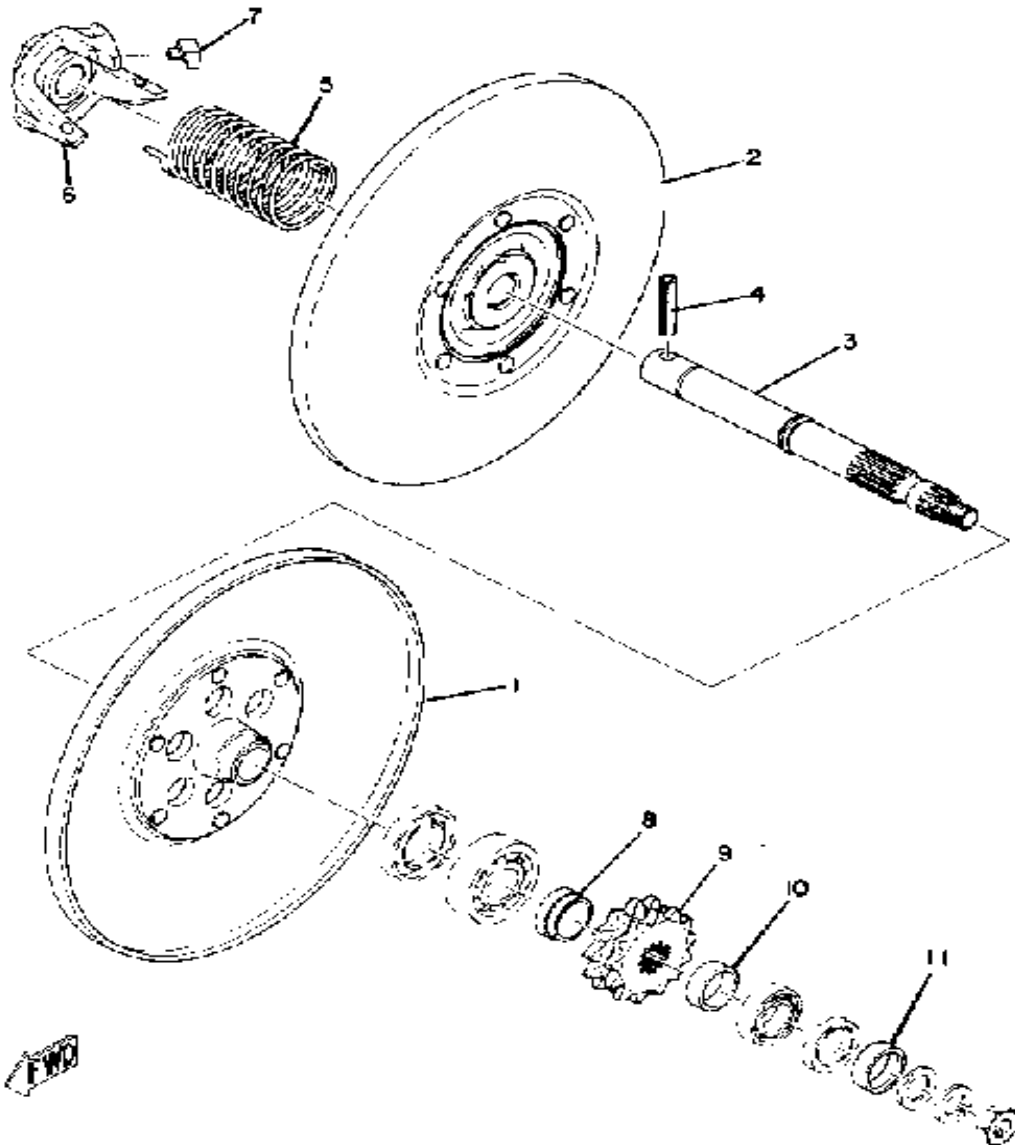
PRIMARY SHEAVE



Ref. No.	Part Number	Description	Qty	Remarks
1	8F8-W1762-00-00	PRI. SHEAVE CAP (864-17630-01)	1	
2	(838-17647-01-00)	BOLT	1	
3	90215-12084-00	WASHER, LOCK	1	
4	90201-12191-00	WASHER, PLATE	1	
5	99009-30400-00	CIRCLIP	1	
6	806-17645-00-00	COLLAR	2	
7	864-17620-00-00	PRI SLIDG SHEAVECOMP.	1	
8	(90501-50208-00)	SPRING, COMPRESSION	1	
9	(810-17642-00-00)	NUT, BEARING	1	
10	90208-28003-00	WASHER, CONICAL SPR	1	
11	806-17644-00-00	SEAT, SPRING	1	
12	93306-20567-00	BEARING	1	
13	(864-W1761-00-00)	PRI. FIXED SHEAVE	1	
14	820-17641-00-00	V-BELT	1	

Property of www.SmallEngineDiscount.com - Not for Resale

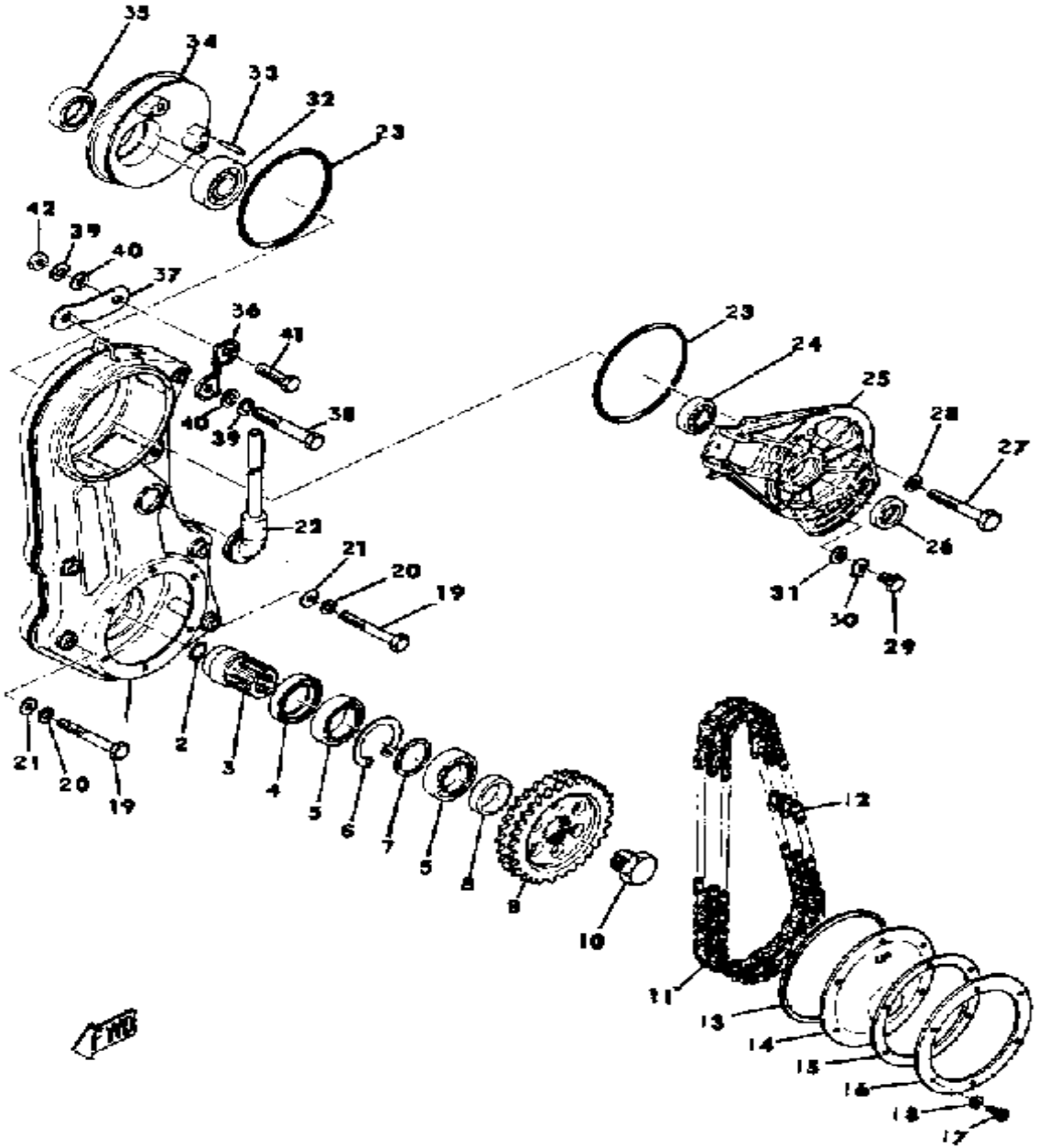
SECONDARY SHEAVE



Ref. No.	Part Number	Description	Qty	Remarks
1	865-17660-00-00	SEC FXD SHVCOMP.	1	
2	(865-17670-00-00)	SEC SLIDING SHEAVE	1	
3	(810-17681-00-00)	SHAFT, SECONDARY	1	
4	90254-08001-00	PIN, SPRING TYPE	1	
5	805-17683-00-00	SPRING, SECONDARY (805-17683-00)	1	
	90508-38144-00	SPRING, TORSION	1	
6	810-17684-01-00	SEAT, SEC SPRINGSRING ..	1	
7	801-17688-10-00	SHOE, RAMP	1	
8	90387-19149-00	COLLAR (812-17685-00)	1	
9	(810-17682-50-00)	SPRKT, CHAIN DR 15T	1	U.R.
	802-17682-20-00	SPROCKET, CHAIN DRIVE (11T)	1	U.R.
	802-17682-40-00	SPRKT, CHAIN DR 13TCHAIN DRIVE (13T) (806-17682-30-0) .	1	U.R.
	806-17682-20-00	SPROCKET, CHAIN DRIVE (12T)	1	U.R.
	806-17682-40-00	SPROCKET, CHAIN DRIVE (14T)	1	U.R.
10	90387-17133-00	COLLAR	1	
11	90387-17130-00	COLLAR (818-17686-00)	1	

Property of www.SmallEngineDiscount.com - Not for Resale

TRACK DRIVE

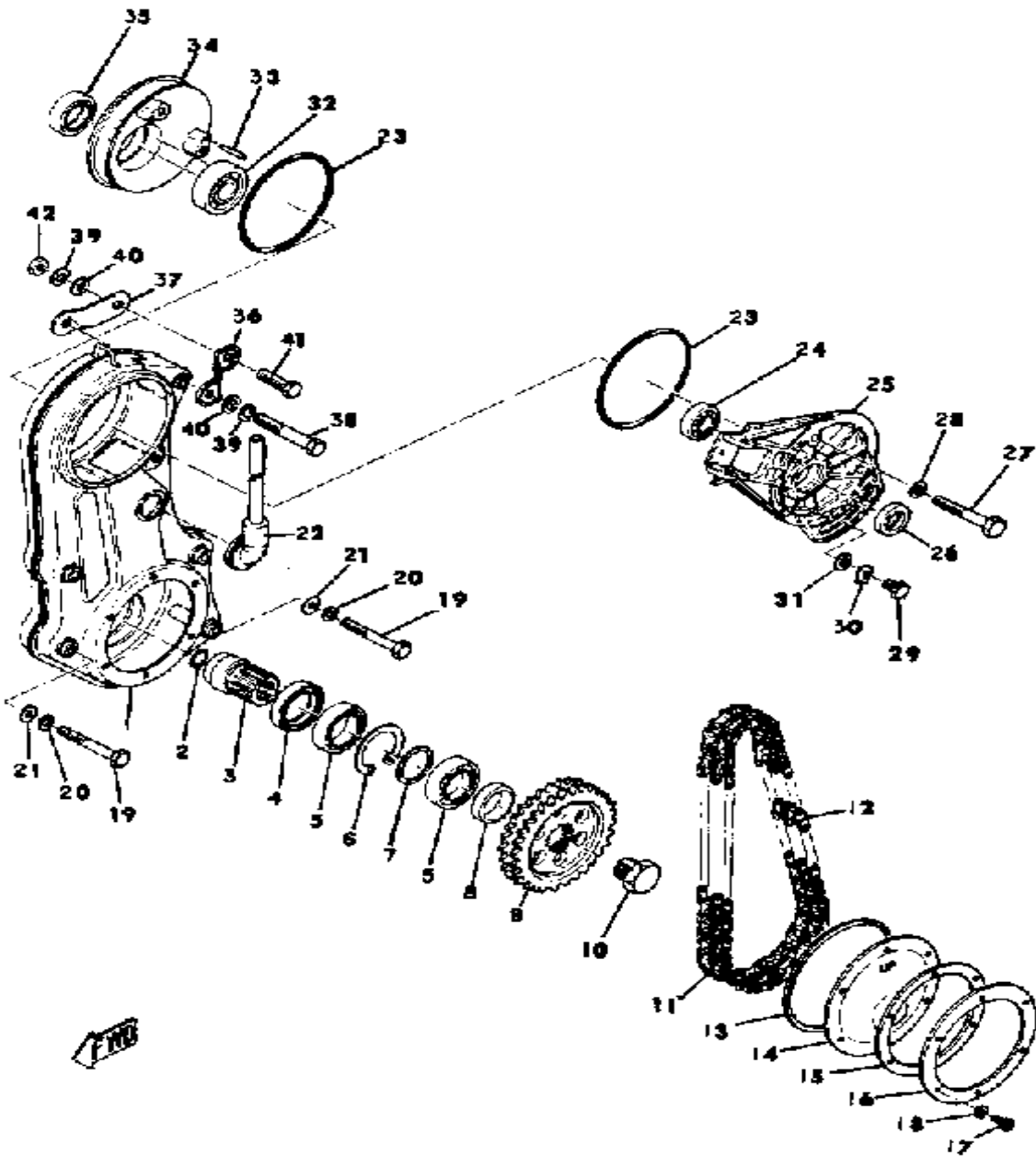


Ref. No.	Part Number	Description	Qty	Remarks
1	(844-47541-00-00)	HOUSING, CHAIN	1	
2	93210-25070-00	O-RING	1	
3	(841-47541-00-35)	HOUSING, CHAIN	1	
4	93102-40080-00	OIL SEAL, SD-TYPE	1	
5	93306-90702-00	BEARING	2	
6	93420-55028-00	CIRCLIP, R-TYPE	1	
7	90560-35050-00	SPACER	1	
8	90387-35206-00	COLLAR	1	
9	(802-47548-40-00)	SPROCKET, CHN DRVN	1	U.R.
	(802-47548-60-00)	SPROCKET, CHN DRVN	1	U.R. STD
	802-47548-50-00	SPROCKET, CHN DRVN	1	U.R.
10	90109-24203-00	BOLT	1	
11	94804-25068-00	CHAIN	1	
12	94904-25001-00	JOINT CHAIN	1	
13	(806-47558-00-00)	RING, HOUSING	1	
14	(821-47543-00-00)	CAP, HOUSING	1	
15	821-47544-00-00	GASKET	1	
16	(821-47591-00-00)	PLATE	1	
17	90143-05004-00	SCREW, HEXAGON	6	
18	90210-05005-00	WASHER, SEAL	6	
19	97021-08070-00	BOLT	4	
20	92990-08100-00	WASHER	4	
21	92990-08200-00	WASHER, PLAIN	4	
22	(861-47559-00-00)	CAP 2	1	
23	93211-13109-00	O-RING	2	
24	93306-20310-00	BEARING	1	
25	845-47561-01-00	HOUSING, SEC SHAFT	1	
26	93102-22087-00	OIL SEAL	1	
27	97013-08060-00	BOLT (663)	2	

CONTINUED ON NEXT FRAME ➤

Property of www.SmallEngineDiscount.com - Not for Resale

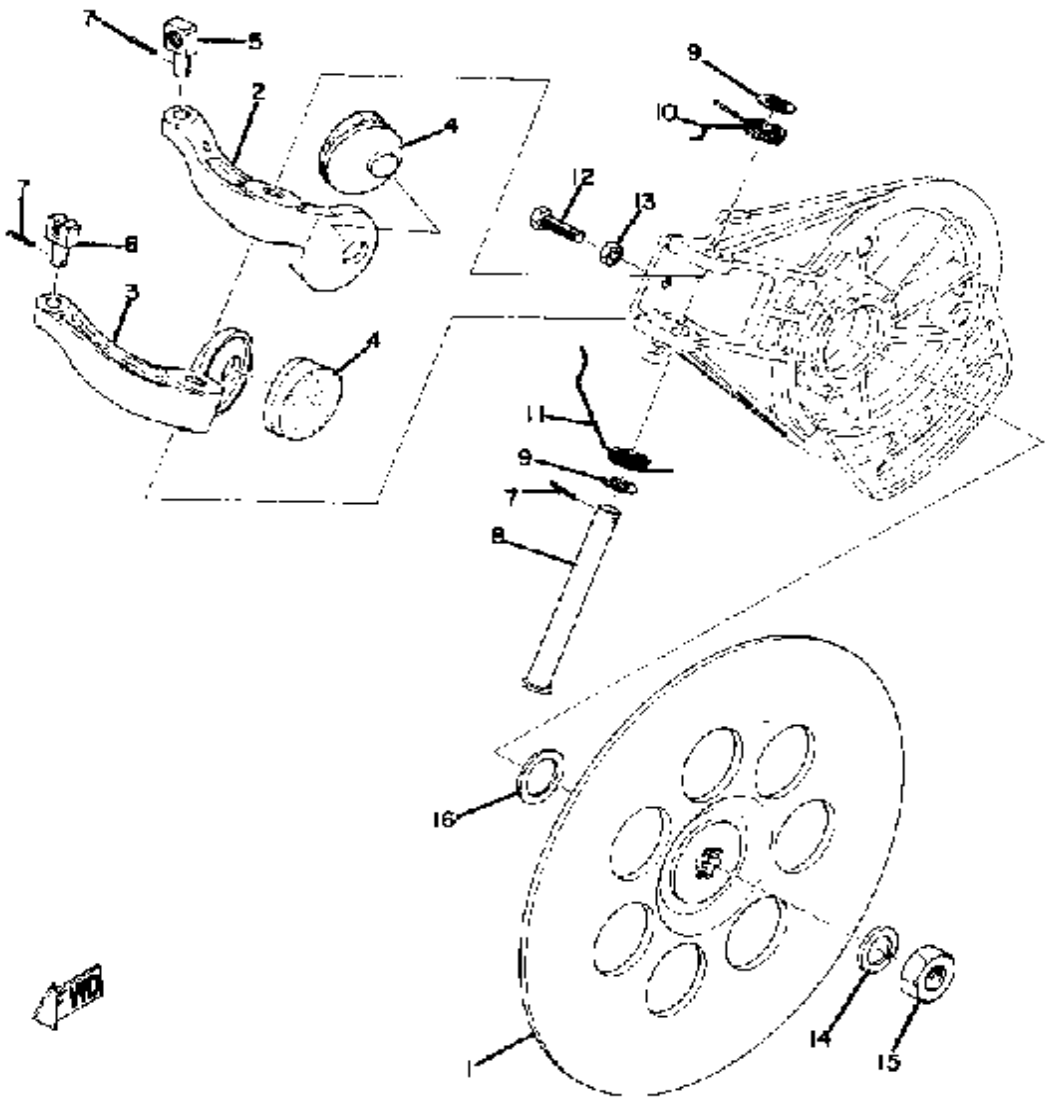
TRACK DRIVE



Ref. No.	Part Number	Description	Qty	Remarks
28	90210-08002-00	WASHER, SEAL	2	
29	97313-08016-00	BOLT, HEXAGON	1	
30	(90215-08027-00)	WASHER, LOCK	1	
31	92990-08200-00	WASHER, PLAIN	1	
32	93306-30407-00	BEARING (B6304C3)	1	
33	93604-18058-00	PIN, DOWEL	2	
34	810-47562-00-00	HOUSING, SEC SHAFT	1	
35	93102-30083-00	SEAL, OIL	1	
36	(841-47565-00-00)	STAY 1	1	
37	(841-47566-00-00)	STAY 2	1	
38	97021-08070-00	BOLT	1	
39	92990-08100-00	WASHER	2	
40	92990-08200-00	WASHER, PLAIN	2	
41	97313-08035-00	BOLT, HEXAGON	1	
42	90170-08031-00	NUT, HEXAGON	1	

Property of www.SmallEngineDiscount.com - Not for Resale

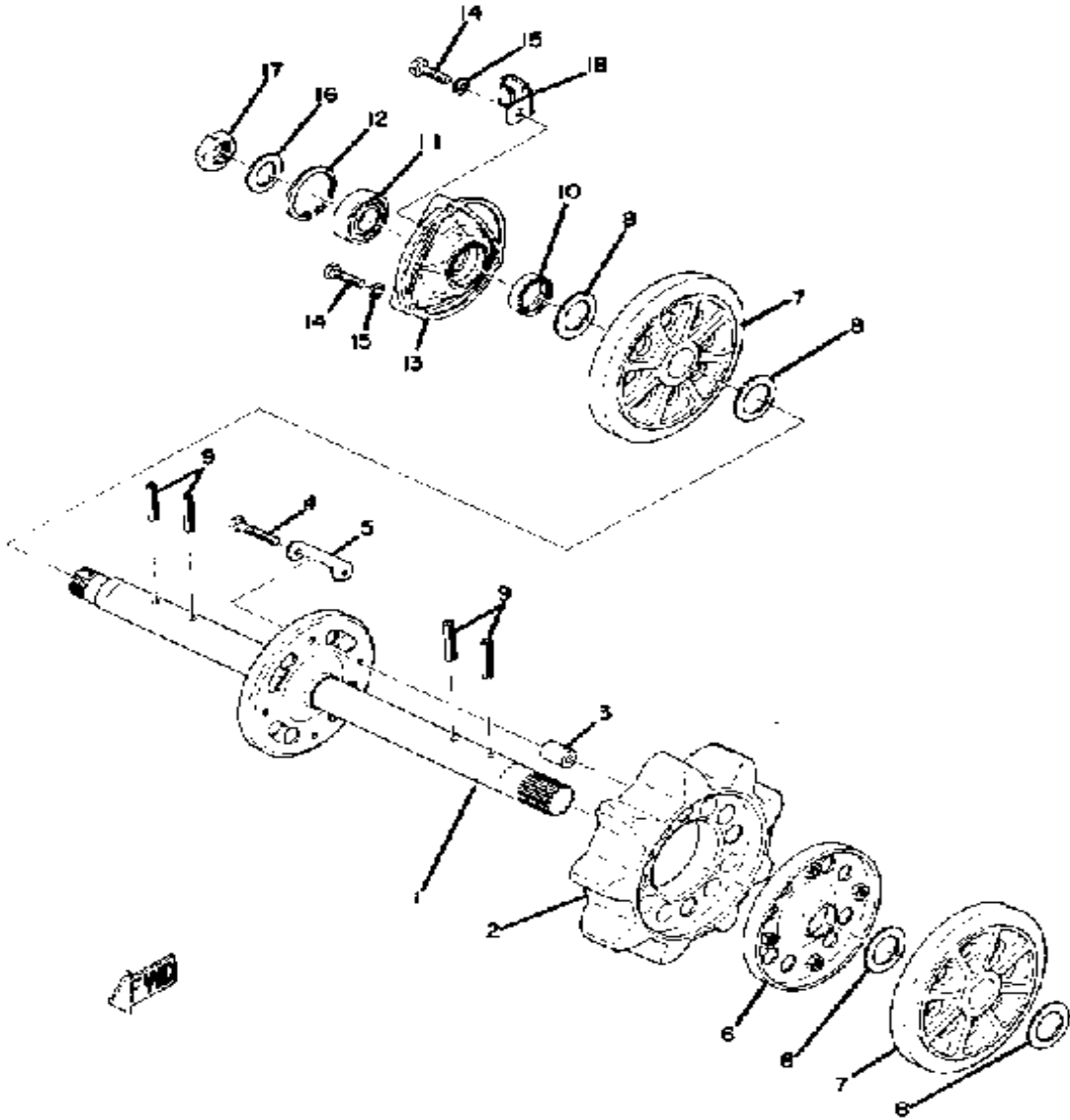
BRAKE



Ref. No.	Part Number	Description	Qty	Remarks
1	845-25711-00-00	DISC, BRAKE	1	
2	838-25740-00-00	PAD, CALIPER (R.H.)	1	
3	838-25731-00-00	BODY, CALIPER 1	1	
4	(826-25732-09-00)	PAD, CALIPER	2	
5	90249-06012-00	PIN	1	
6	90249-06009-00	PIN	1	
7	91490-20020-00	PIN, COTTER	3	
8	90240-08023-00	PIN, CLEVIS	1	
9	92990-08200-00	WASHER, PLAIN	2	
10	(90508-29045-00)	SPRING, TORSION	1	
11	(90508-29046-00)	SPRING, TORSION	1	
12	97001-05018-00	BOLT HEXAGON	1	
13	95311-05700-00	NUT	1	
14	92901-12100-00	WASHER, SPRING	1	
15	95301-12700-00	NUT (95302-12700)	1	
16	(150-17417-00-03)	SHIM 1	1	
	150-17417-00-02	SHIM 1	1	

Property of www.SmallEngineDiscount.com - Not for Resale

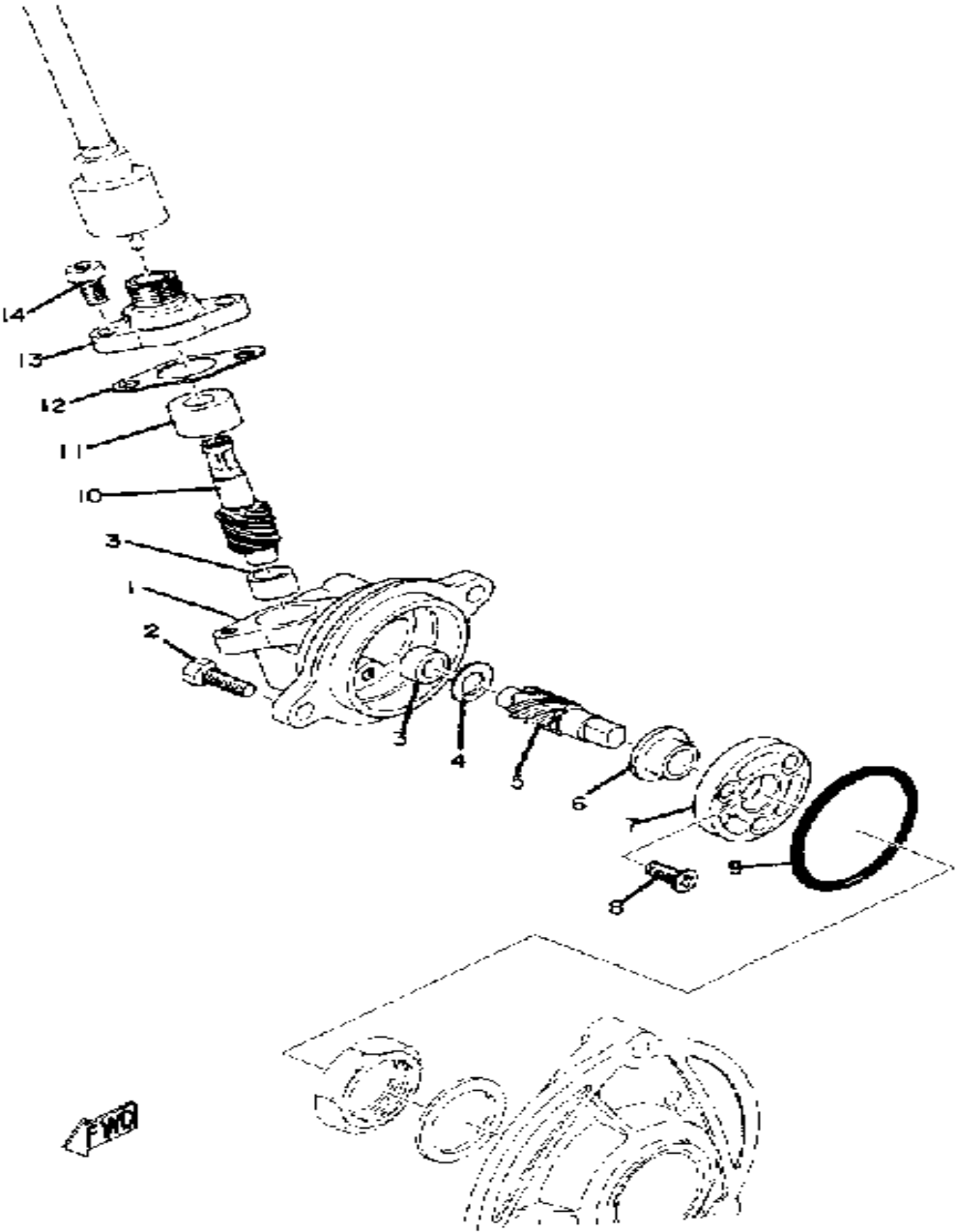
FRONT AXLE



Ref. No.	Part Number	Description	Qty	Remarks
1	865-47510-00-00	FRONT AXLE	1	
2	810-47532-00-00	WHEEL, SPROCKET 2	1	
3	(90387-06021-00)	COLLAR	4	
4	97013-06035-00	BOLT	4	
5	90215-06100-00	WASHER, LOCK	2	
6	(810-47522-00-00)	RIM, SPROCKET WHL 2	1	
7	810-47530-00-00	GUIDE WHEEL	2	
8	90201-25499-00	WASHER, PLATE	2	
9	91609-60036-00	PIN, SPRING	4	
10	93102-25084-00	OIL SEAL, SD-TYPE	1	
11	93306-00412-00	BEARING	1	
12	93420-44029-00	CIRCLIP, R-TYPE	1	
13	841-47551-00-00	HOUSING, FRONT AXLE	1	
14	97013-08025-00	BOLT	3	
15	92990-08100-00	WASHER	3	
16	90208-22001-00	WASHER, CONICAL SPRING ..	1	
17	90170-22094-00	NUT	1	
18	90465-06100-00	CLAMP	1	

Property of www.SmallEngineDiscount.com - Not for Resale

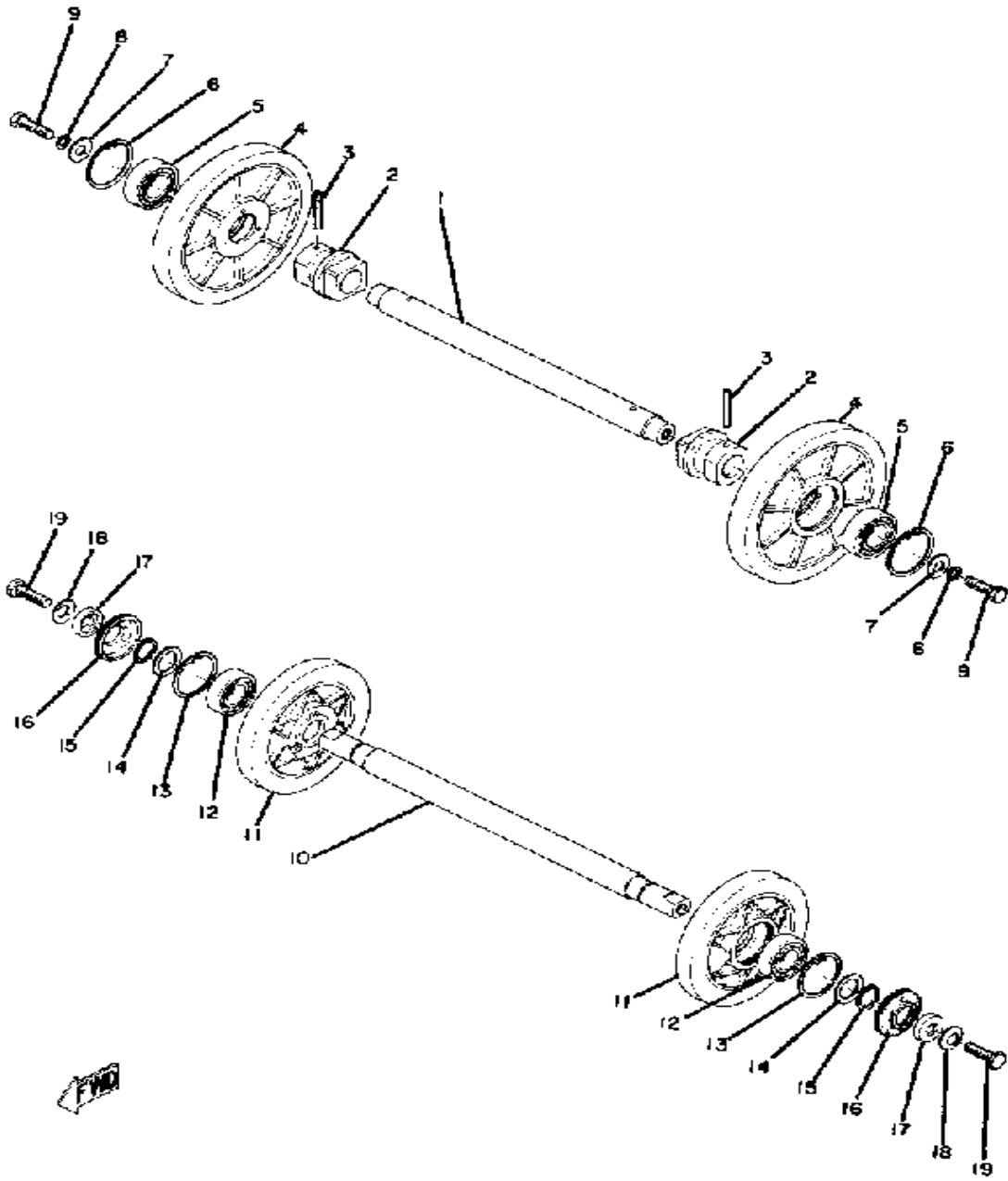
SPEEDOMETER GEAR UNIT



Ref. No.	Part Number	Description	Qty	Remarks
1	8E6-47711-10-00	HOUSING	1	
2	97313-06016-00	BOLT, HEXAGON	2	
3	(90380-08002-00)	BUSH, SOLID	2	
4	810-47717-10-00	SHIM	1	
5	810-47731-11-00	GEAR, DRIVE	1	
6	90381-10003-00	BUSH, SOLID	1	
7	853-47712-10-00	JOURNAL	1	
8	98701-04012-00	SCREW, FLAT HEAD	3	
9	93210-43141-00	O-RING	1	
10	810-47741-11-00	GEAR, DRIVEN (810-47741-10)	1	
11	90380-08005-00	BUSH, SOLID	1	
12	810-47727-10-00	GASKET	1	
13	8E3-47721-10-00	COVER, HOUSING	1	
14	98580-05012-00	SCREW, PAN HEAD	2	

Property of www.SmallEngineDiscount.com - Not for Resale

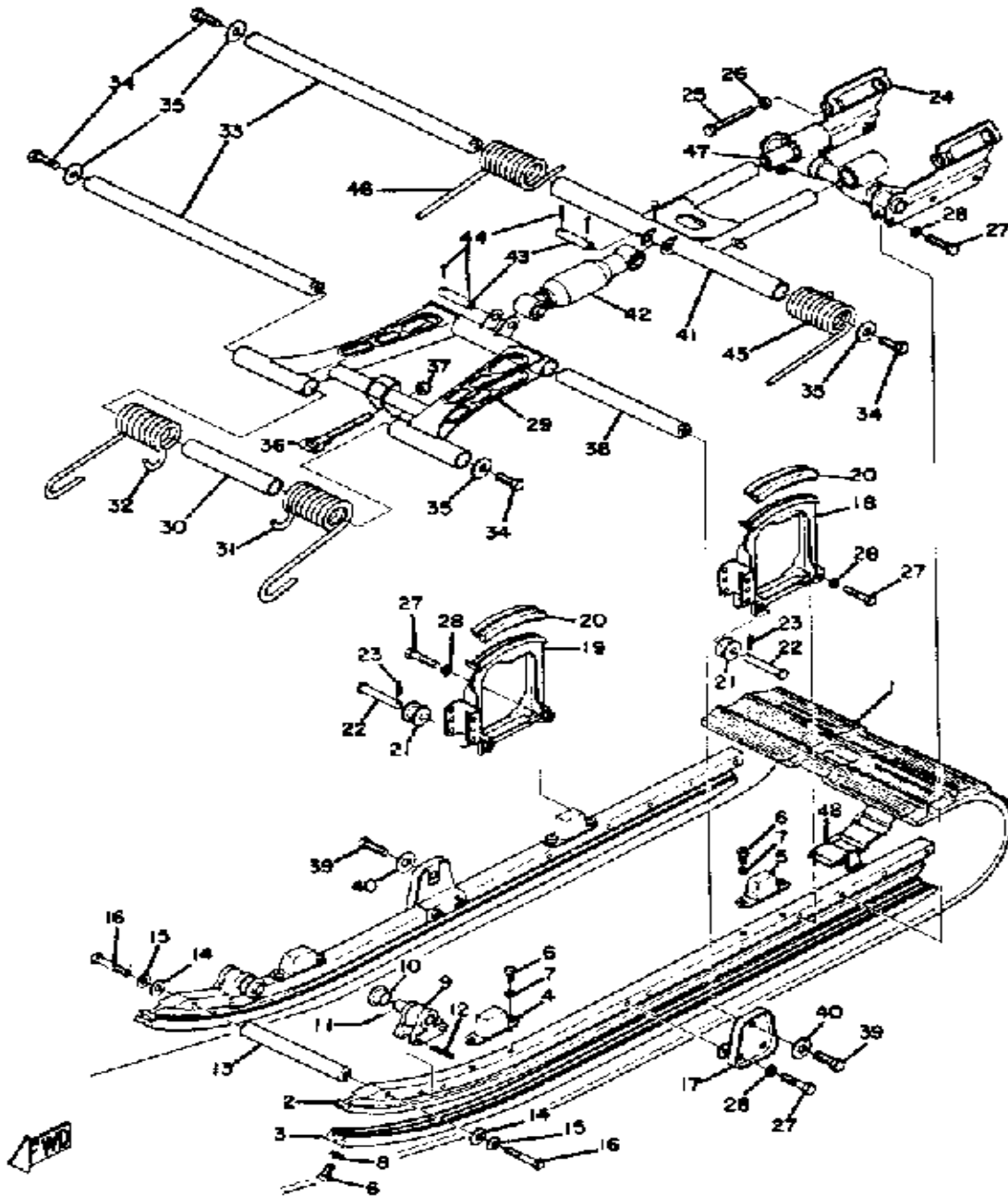
REAR AXLE - WHEEL



Ref. No.	Part Number	Description	Qty	Remarks
1	(865-47521-01-00)	AXLE, REAR	1	
2	(865-47479-03-00)	COLLAR 3	2	
3	91609-40040-00	PIN, SPRING	2	
4	(865-47535-00-00)	WHEEL, GUIDE 2	2	
5	93306-20417-00	BEARING (B62042RS)	2	
6	99009-47500-00	CIRCLIP	2	
7	90201-08772-00	WASHER, PLATE	2	
8	92990-08100-00	WASHER	2	
9	97313-08030-00	BOLT, HEXAGON	2	
10	(865-47485-00-00)	SHAFT 3	1	
11	885-47320-01-00	SUSPENSION WHEEL COMP.	2	
12	93306-00441-00	BEARING (89A) (B6004RS)	2	
13	99009-42500-00	CIRCLIP	2	
14	90201-20272-00	WASHER, PLATE	2	
15	99009-20400-00	CIRCLIP	2	
16	(829-47317-00-00)	CAP, WHEEL	2	
17	(865-47341-00-00)	SPACER	2	
18	(829-16119-00-00)	SPRING, BELLEVILLE	2	
19	(90101-08024-00)	BOLT	2	

Property of www.SmallEngineDiscount.com - Not for Resale

TRACK SUSPENSION

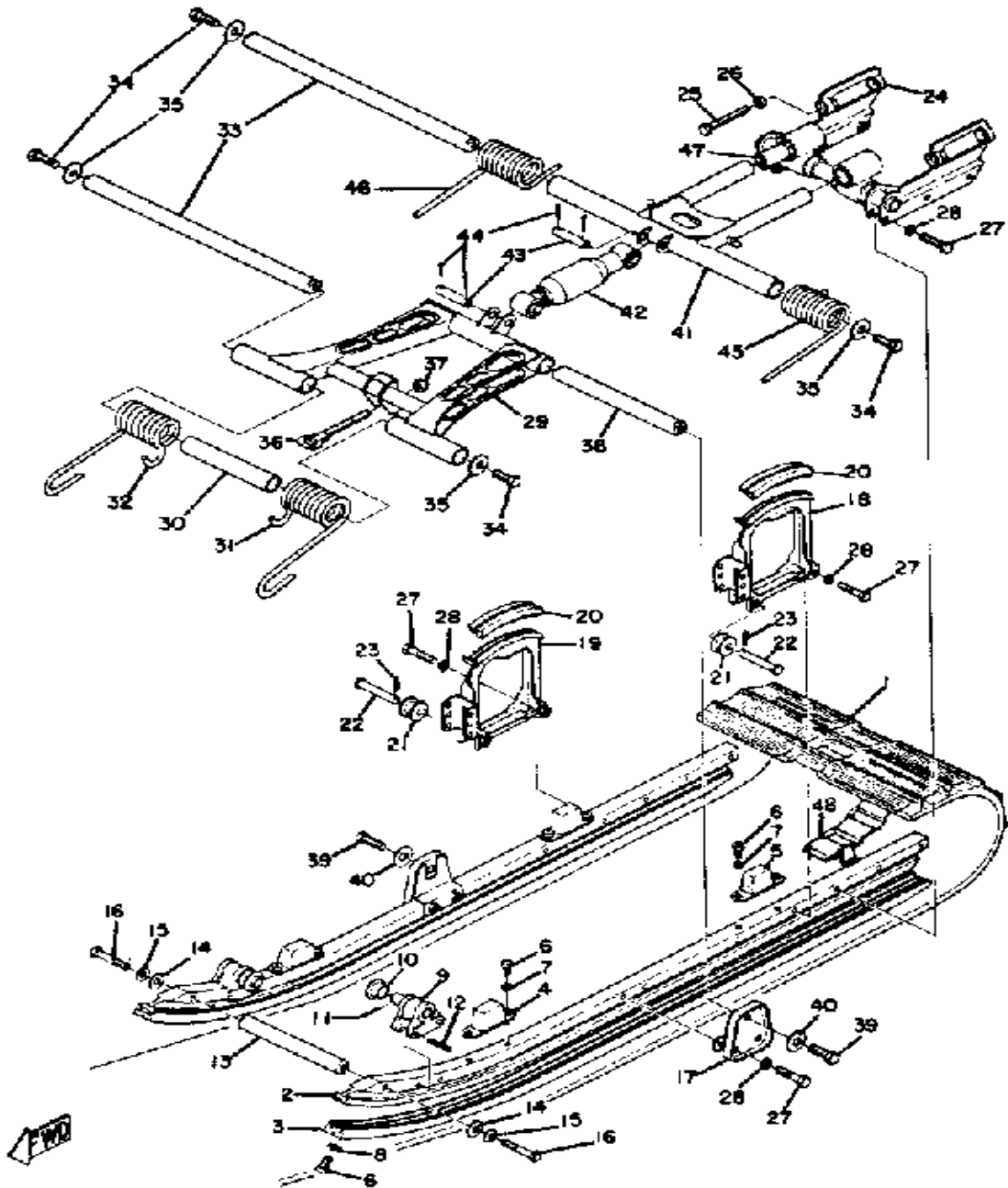


Ref. No.	Part Number	Description	Qty	Remarks
1	(865-47535-01-00)	WHEEL, GUIDE 2	2	
	865-47110-00-00	TRACK ASSEMBLY	1	
2	(865-47411-00-00)	FRAME, SLIDING 1	2	
	885-47320-01-00	. SUSPENSION WHEEL COMP.	2	
3	(865-47451-00-00)	BAR, SUSPENSION	1	
	865-47421-00-00	RUNNER, SLIDING 1	2	
4	(865-47456-01-00)	DAMPER 1	2	
	(865-47466-00-00)	SPACER	2	
5	(865-47417-00-00)	BRACKET 3	1	
	(865-47457-01-00)	DAMPER 2	2	
6	97311-10040-00	. BOLT, HEXAGON	2	
	98503-06014-00	SCREW, PAN HEAD (92502-06016)	10	
7	92995-06100-00	WASHER, SPRING	8	
	97313-08050-00	. BOLT, HEXAGON (90101-08125)	4	
8	90201-06057-00	WASHER, PLATE	2	
	97313-08030-00	. BOLT, HEXAGON	4	
9	(865-47446-00-00)	HOOK 1	2	
	90201-08772-00	. WASHER, PLATE	4	
10	865-47429-00-00	ROLLER	2	
	92990-08100-00	. WASHER	4	
11	91401-30030-00	PIN, COTTER	2	
12	91609-60036-00	PIN, SPRING	4	
13	865-47465-00-00	SHAFT 1	1	
14	90201-085E6-00	WASHER PLATE	2	
15	(829-16119-00-00)	SPRING, BELLEVILLE	2	
16	97313-08050-00	BOLT, HEXAGON (90101-08125)	2	
17	865-47415-01-00	BRACKET 1	2	

CONTINUED ON NEXT FRAME ►

Property of www.SmallEngineDiscount.com - Not for Resale

TRACK SUSPENSION

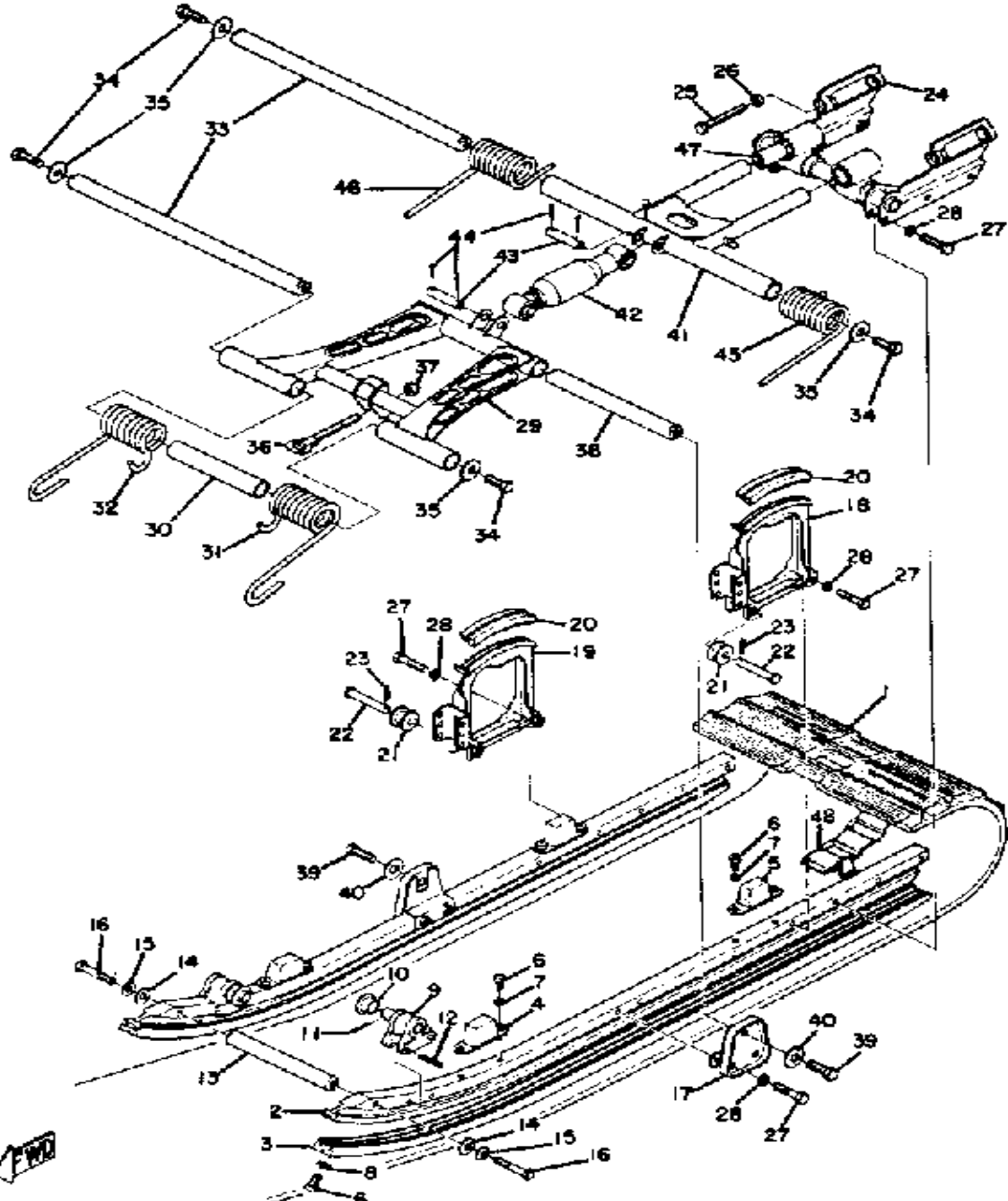


Ref. No.	Part Number	Description	Qty	Remarks
18	865-47495-00-00	STOPPER 1	1	
19	865-47496-00-00	STOPPER 2	1	
20	865-47422-00-00	RUNNER, SLIDING 2	2	
21	(865-47439-00-00)	ROLLER 2	2	
22	90240-10028-00	PIN, CLEVIS	2	
23	90468-18019-00	CLIP	2	
24	(865-47426-00-00)	BRACKET, REAR 1	1	
25	90101-10200-00	BOLT	2	
26	90185-10031-00	NUT, SELF-LOCKING	2	
27	97313-08040-00	BOLT, HEXAGON (97322-08040)	14	
28	92990-08100-00	WASHER	14	
29	(865-47331-01-00)	ARM, PIVOT 1	1	
30	90440-25001-00	TUBE, STRUCTURE	1	
31	90508-73149-00	SPRING, TORSION	1	
32	90508-73150-00	SPRING, TORSION	1	
33	(865-47337-00-00)	SHAFT, PIVOT	2	
34	97011-10025-00	BOLT	4	
35	90208-10012-00	WASHER, CONICAL SPRING	4	
36	865-47447-00-00	HOOK 2	1	
37	90185-10031-00	NUT, SELF-LOCKING	1	
38	865-47475-00-00	SHAFT 2	1	
39	97013-10030-00	BOLT (8J7) (97303-10030)	2	
40	90208-10012-00	WASHER, CONICAL SPRING	2	
41	865-47332-01-00	ARM, PIVOT 2 (865-47332-00)	1	
42	(865-47480-00-00)	SHOCK ABSORBER	1	
43	(865-47449-00-00)	PIN 1	2	
44	91401-30030-00	PIN, COTTER	4	
45	90508-75151-00	SPRING, TORSION	1	
46	(90508-75152-00)	SPRING, TORSION	1	

CONTINUED ON NEXT FRAME ➤

Property of www.SmallEngineDiscount.com - Not for Resale

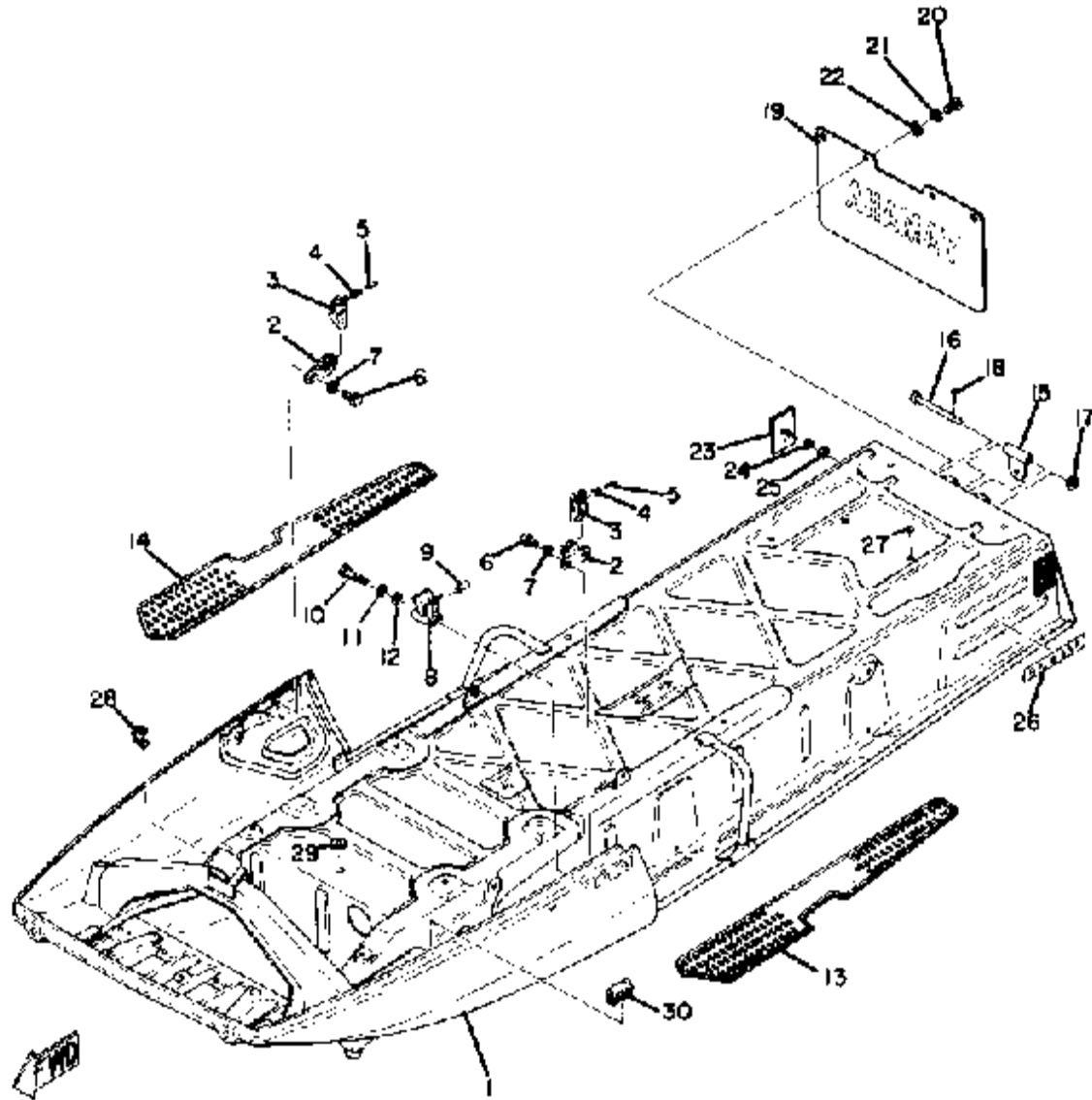
TRACK SUSPENSION



Ref. No.	Part Number	Description	Qty	Remarks
47	(90386-22033-00)	BUSH, SPEC'L NYLON	2	
48	(8G5-47000-00-00)	IDLER WHEEL KIT	1	S4-011
	865-47115-09-00	METAL, SLIDE	1	S7-001

Property of www.SmallEngineDiscount.com - Not for Resale

FRAME

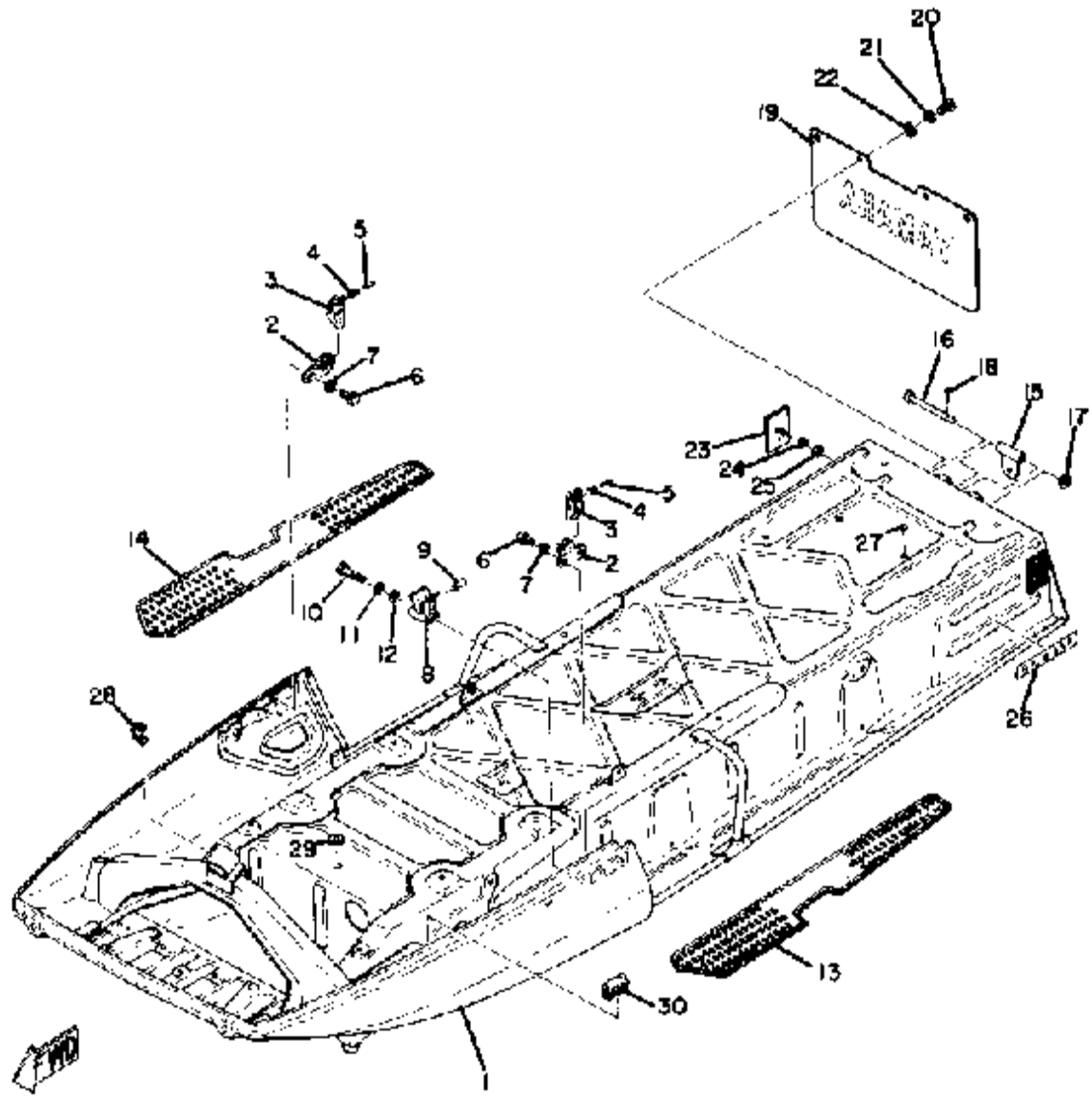


Ref. No.	Part Number	Description	Qty	Remarks
1	(865-21910-00-00)	FRAME	1	
2	(806-77172-00-00)	BODY, LATCH 2	2	N/A
3	806-77173-00-00	LEVER, LATCH 1	2	
4	90508-10012-00	SPRING, TORSION	2	
5	90249-04058-00	UNAVAILABLE IN PRICE BOOK (214-24727-00)	2	
6	97313-05016-00	BOLT, HEXAGON	4	
7	92990-05100-00	WASHER, SPRING	2	
8	90464-09006-00	CLAMP	2	
9	821-77188-01-00	STOPPER	2	
10	97026-06045-00	BOLT	2	
11	92906-06100-00	WASHER, SPRING	2	
12	92906-06200-00	WASHER	2	
13	878-27413-00-00	COVER, FOOTREST	1	
14	878-27423-00-00	COVER, FOOTREST	1	
15	802-77591-00-00	BRACKET, HITCH 1	1	
16	(91701-08102-00)	PIN, CLEVIS	1	
17	92990-08200-00	WASHER, PLAIN	1	
18	91401-25020-00	PIN, COTTER	1	
19	865-77595-00-00	FLAP	1	
20	98580-06018-00	SCREW, PAN HEAD	2	
21	92995-06100-00	WASHER, SPRING	2	
22	90201-06697-00	WASHER, PLATE	2	
23	(821-85131-00-00)	REFLECTOR, REAR 1	2	
24	92990-06200-00	WASHER	2	
25	90185-06040-00	NUT, SELF-LOCKING	2	
26	(866-77354-00-00)	EMBLEM 4	2	
27	(867-21969-00-00)	COVER, NUT	2	
28	(841-82591-00-00)	BAND	1	

CONTINUED ON NEXT FRAME ►

Property of www.SmallEngineDiscount.com - Not for Resale

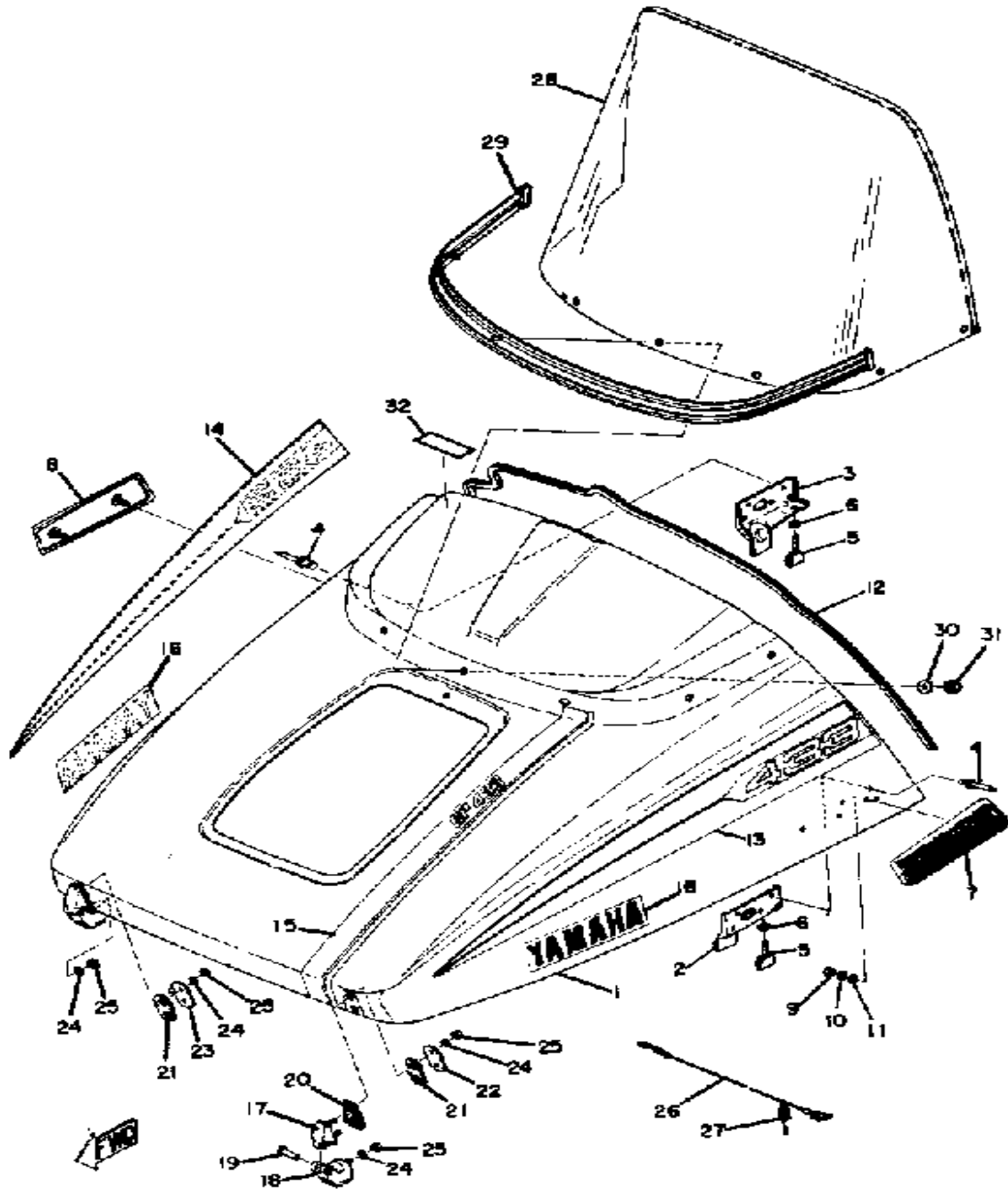
FRAME



Ref. No.	Part Number	Description	Qty	Remarks
29	810-77716-00-00	ORNAMENT, INSTRUMENT PANEL 2	1	
30	(839-77161-00-00)	STRIP, WEATHER 1	4	
-1	806-77170-00-00	LATCH ASSEMBLY	2	

Property of www.SmallEngineDiscount.com - Not for Resale

SHROUD



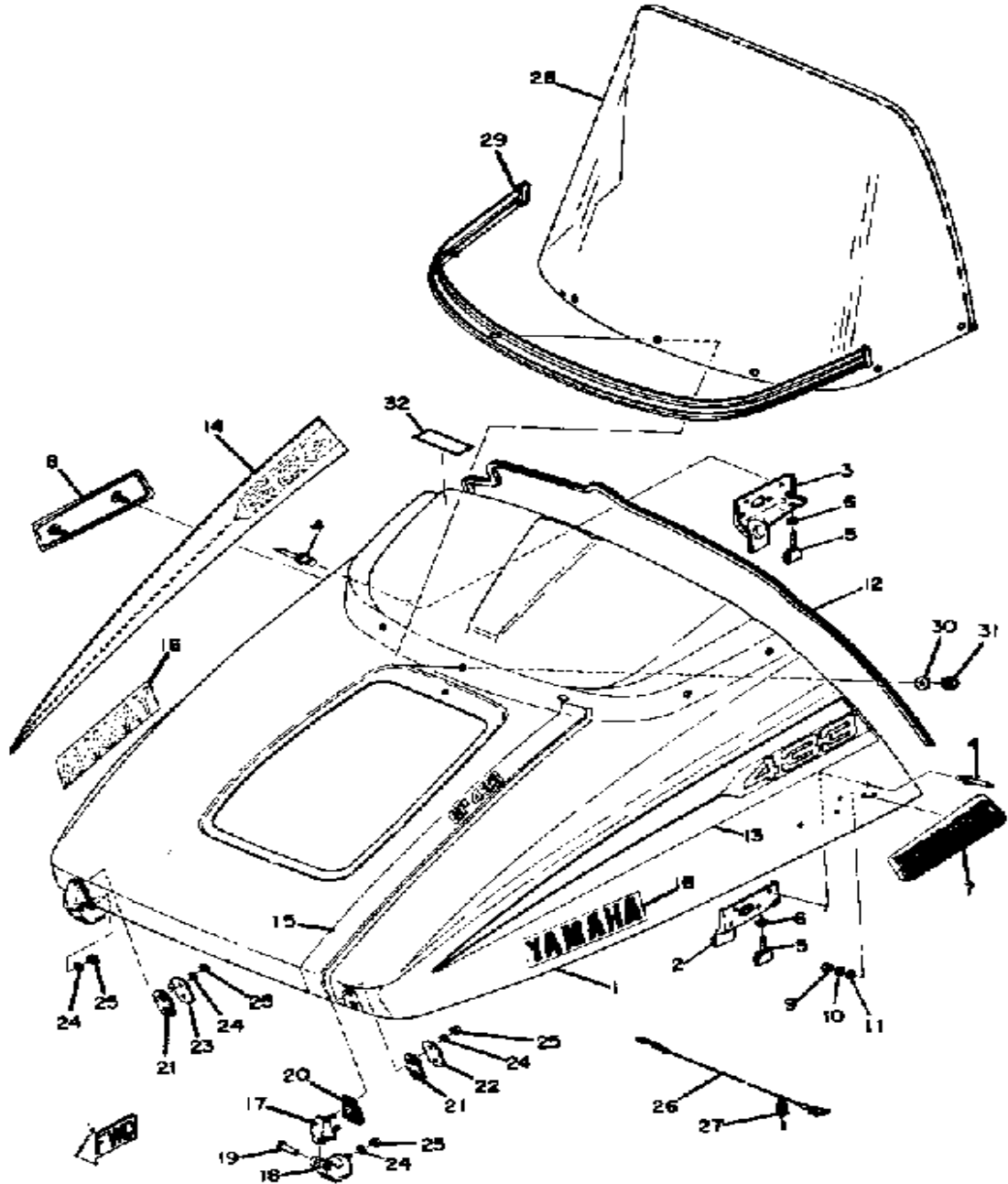
Ref. No.	Part Number	Description	Qty	Remarks
1	(865-77110-00-00)	SHROUD ASSEMBLY	1	
2	(841-77136-00-00)	CLAMP 2	1	
3	(841-77138-00-00)	CLAMP 4	1	
4	90267-40M00-00	RIVET, BLIND	8	
5	(841-77171-01-00)	BODY, LATCH 1	2	
6	95380-06600-00	NUT	2	
7	(838-77131-00-00)	LOUVER 1	1	
8	838-77132-00-00	LOUVER 2	1	
9	95380-05600-00	NUT	4	
10	92990-05100-00	WASHER, SPRING	4	
11	92990-05100-00	WASHER, SPRING	4	
12	(841-77166-00-00)	TRIM 2	1	
13	(861-77163-00-00)	ORNAMENT 1	1	
14	(861-77164-00-00)	ORNAMENT 2	1	
15	(866-77169-00-00)	ORNAMENT 3	1	
16	(863-77357-00-00)	EMBLEM 7	2	
17	(841-77140-00-00)	HINGEASSEMBLY	2	
18	(841-77147-00-00)	HINGE 3	2	
19	90243-05003-00	PIN	2	
20	(841-77198-00-00)	DAMPER 1	2	
21	841-77199-00-00	DAMPER 2	2	
22	(841-77153-00-00)	PLATE, BACK UP 1	1	
23	(841-77154-00-00)	PLATE, BACK UP 2	1	
24	92995-06100-00	WASHER, SPRING	6	
25	95380-06600-00	NUT	6	
26	8E4-77118-00-00	STOPPER, SHROUD	1	
27	838-77159-00-00	CLAMP, ROD	1	
28	8A1-77210-00-00	WINDSHIELD	1	
29	(8A1-77220-00-00)	TRIM LOWER ASSEMBLY	1	

CONTINUED ON NEXT FRAME ➤

Property of www.SmallEngineDiscount.com - Not for Resale

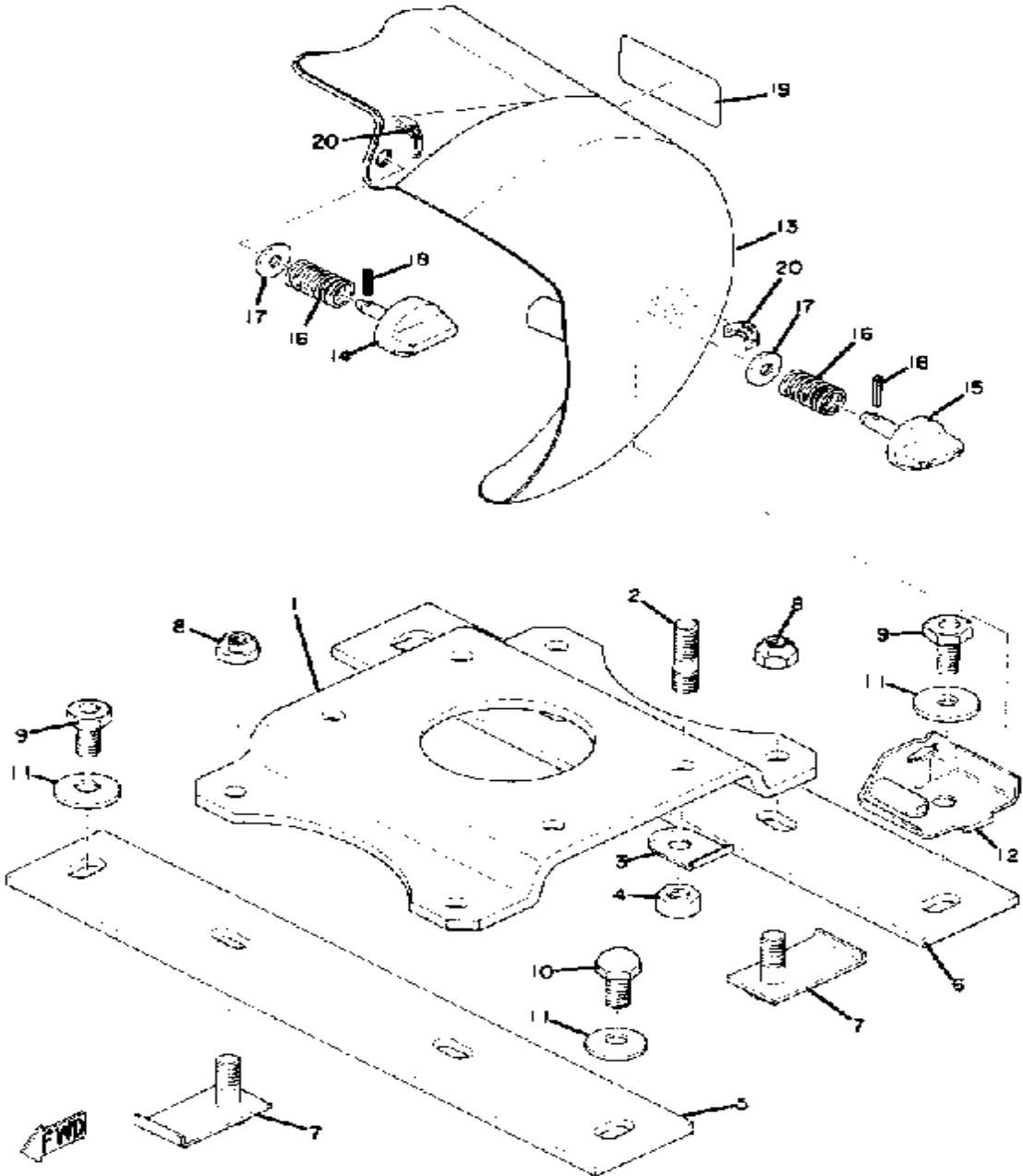
SHROUD

Ref. No.	Part Number	Description	Qty	Remarks
30	90201-05036-00	WASHER, PLATE	7	
31	90185-05028-00	NUT, SELF-LOCKING	7	
32	288-21659-00-00	LABEL, SAFETY	1	



Property of www.SmallEngineDiscount.com - Not for Resale

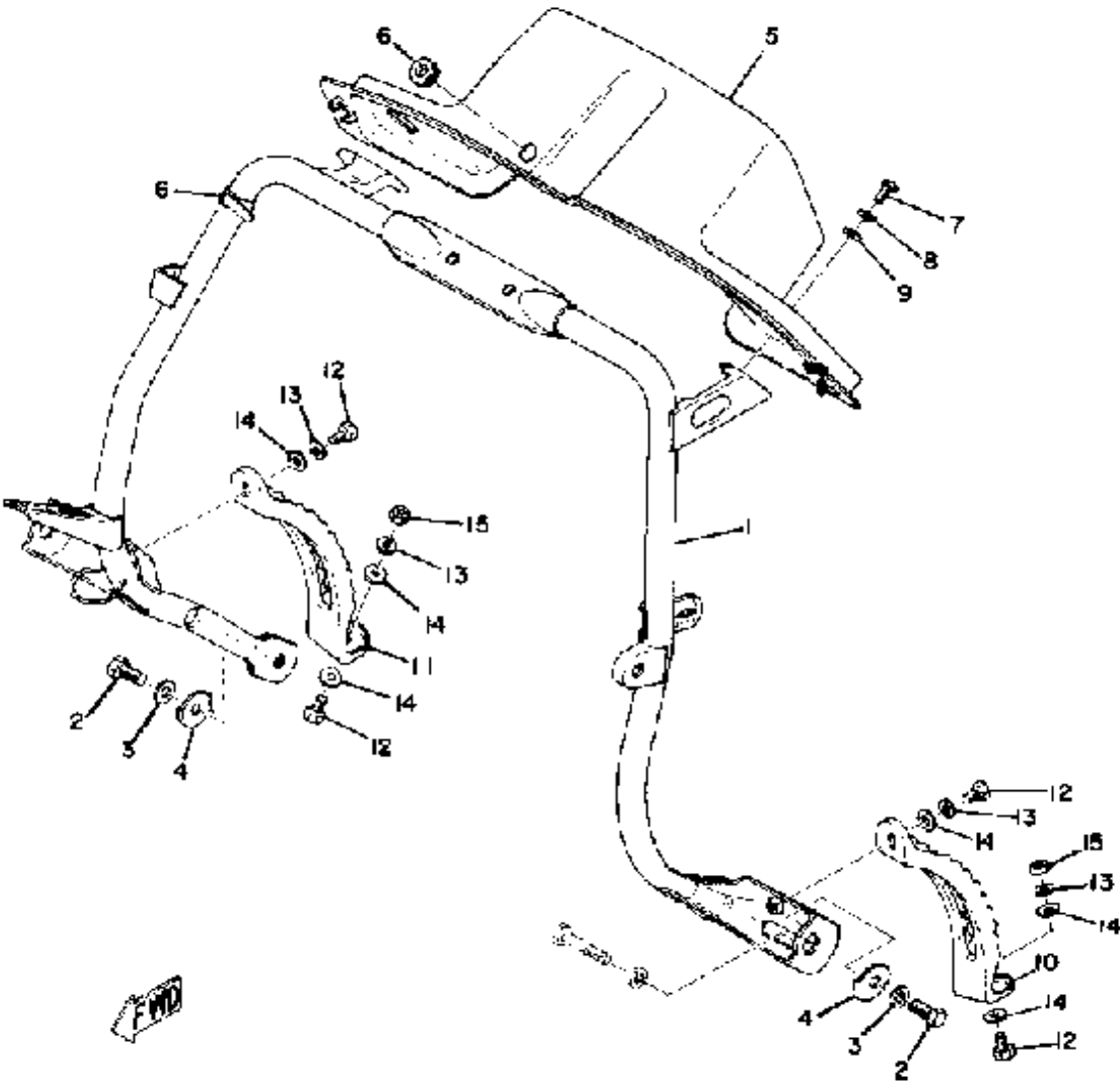
ENGINE BRACKET



Ref. No.	Part Number	Description	Qty	Remarks
1	(838-21411-01-00)	BRACKET, ENGINE 1	1	
2	(90116-10084-00)	BOLT, STUD	4	
3	(90215-10076-00)	WASHER, LOCK	4	
4	90185-10031-00	NUT, SELF-LOCKING	4	
5	(841-21419-00-00)	BRACKET, ENGINE 2	1	
6	(829-21419-00-00)	BRACKET, ENGINE 2	1	
7	(829-21482-00-00)	BOLT, ENG MNTNG 2	4	
8	90185-10030-00	NUT, SELF-LOCKING	4	
9	(90101-10057-00)	BOLT	3	
10	(90106-10015-00)	BOLT, DOME HEAD	1	
11	90208-10013-00	WASHER, CONICAL SPR	4	
12	844-77315-00-00	BRACKET 1	1	
13	(844-77311-00-00)	GUARD, DRIVE	1	
14	(829-77324-00-00)	KNOB	1	
15	844-77324-00-00	KNOB	1	
16	90501-16103-00	SPRING, COMPRESSION	2	
17	90201-08104-00	WASHER, PLATE	2	
18	91609-40018-00	PIN, SPRING	2	
19	(829-77365-00-00)	EMBLEM 0	1	
20	(829-77367-00-00)	EMBLEM 2	2	

Property of www.SmallEngineDiscount.com - Not for Resale

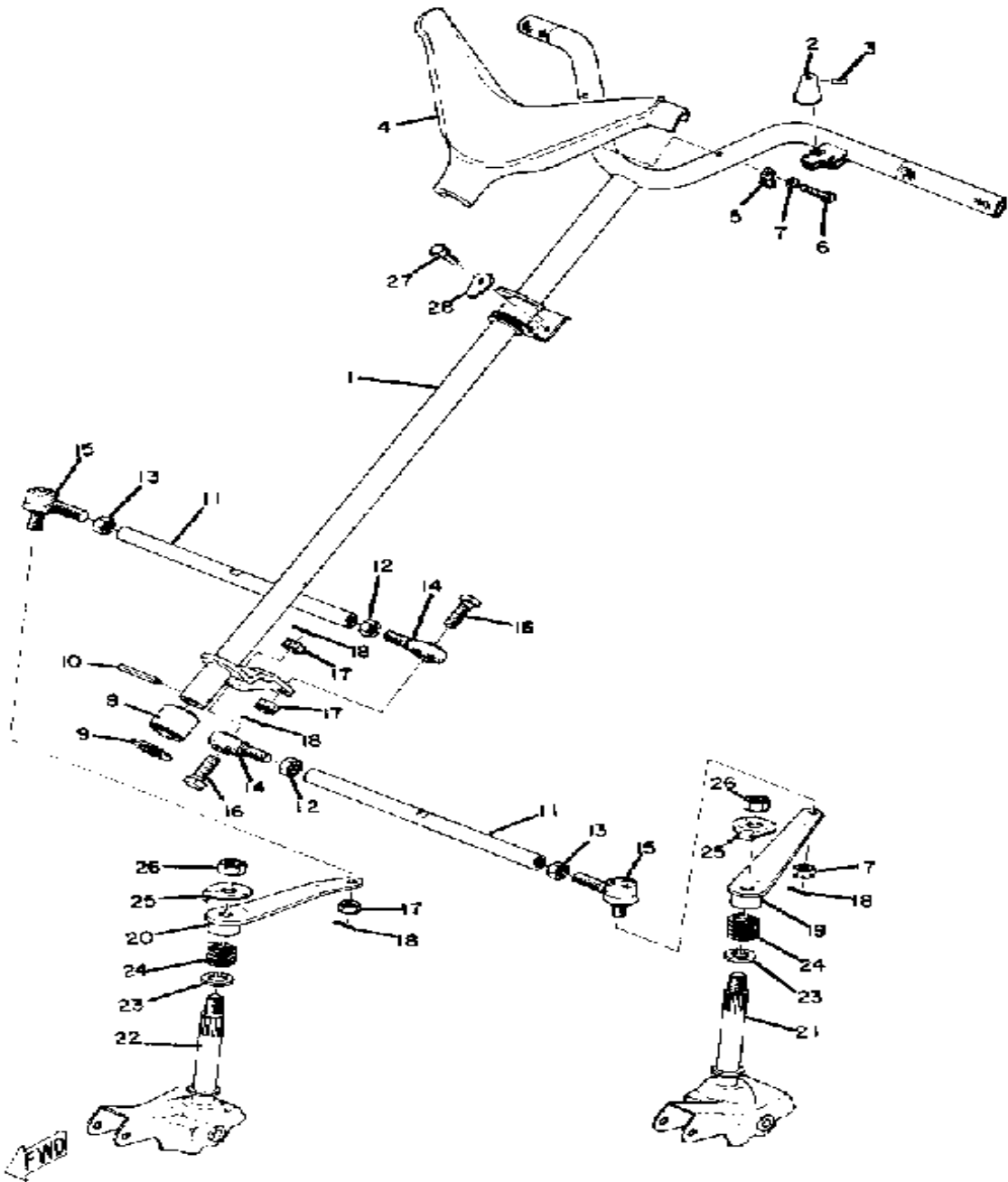
STEERING GATE



Ref. No.	Part Number	Description	Qty	Remarks
1	(861-23870-00-00)	STEERING GATE	1	
2	97026-08018-00	BOLT	2	
3	90201-08624-00	WASHER, PLATE	2	
4	(861-23895-00-00)	WASHER, LOCK 2	2	
5	(865-77711-00-00)	PANEL, INSTRUMENT	1	
6	90480-13018-00	GROMMET	1	
7	(97306-05012-00)	BOLT, HEXAGON	1	
8	92906-05100-00	WASHER, SPRING	1	
9	92906-05200-00	WASHER, PLAIN	1	
10	(841-27411-00-00)	FOOTREST 1	1	
11	(841-27421-00-00)	FOOTREST 2	1	
12	97313-06016-00	BOLT, HEXAGON	4	
13	92995-06100-00	WASHER, SPRING	4	
14	92990-06200-00	WASHER	6	
15	95380-06600-00	NUT	2	
16	437-83936-11-00	BAND, SWITCH CORD	2	

Property of www.SmallEngineDiscount.com - Not for Resale

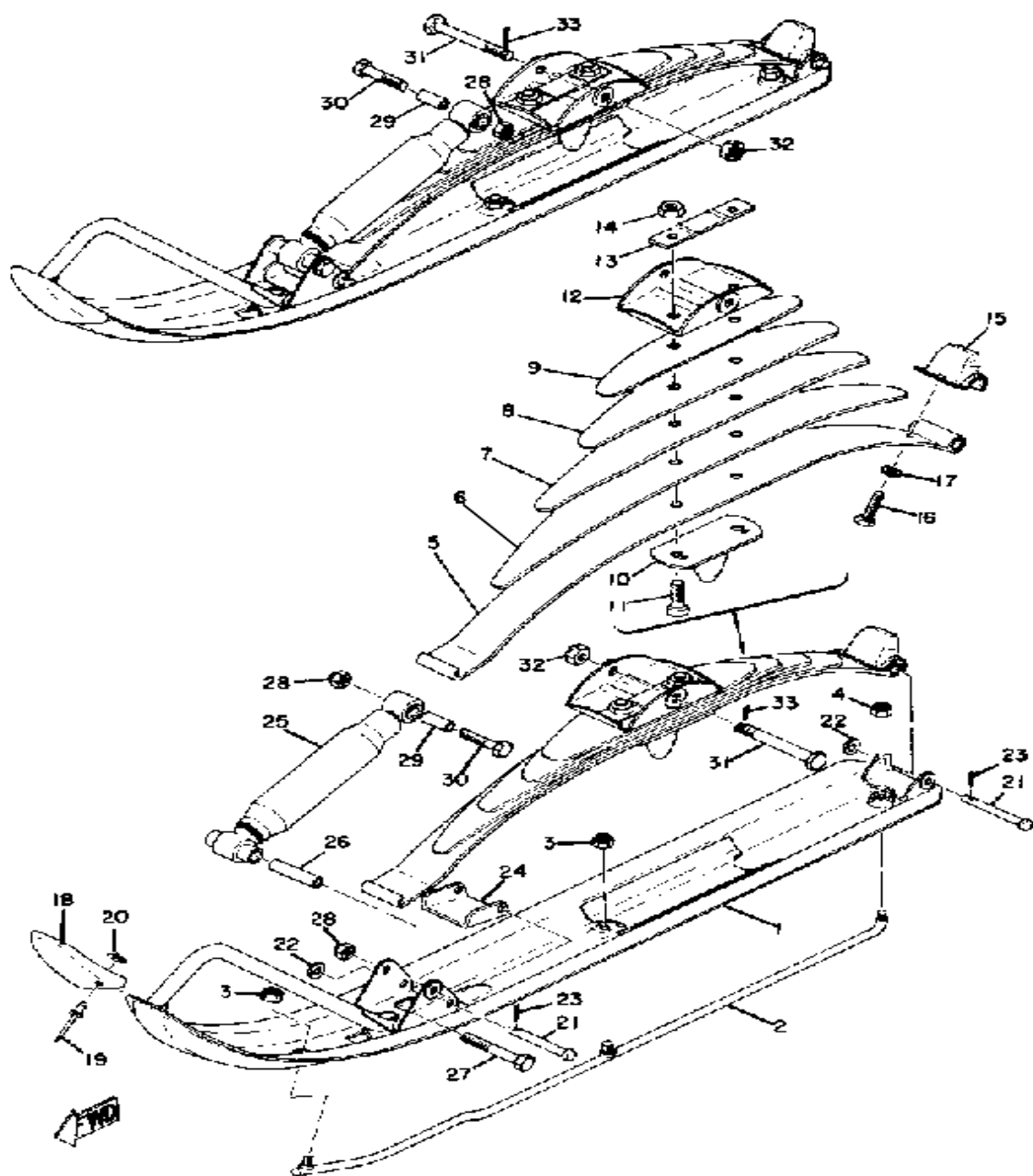
STEERING



Ref. No.	Part Number	Description	Qty	Remarks
1	(861-23810-01-00)	STRG COLUMN ASSEMBLY ..	1	
2	803-83865-00-00	. UNAVAILABLE IN PRICE BOOK	1	
3	(90249-04022-00)	PIN, SPEC'L SHAPE	1	
4	863-23853-01-00	COLUMN, SKI 1	1	
5	(90462-08003-00)	CLAMP	2	
6	98501-05035-00	SCREW, PAN HEAD	2	
7	92990-05100-00	WASHER, SPRING	2	
8	(806-23875-00-00)	BEARING, STRG LOWER	1	
9	(841-23812-01-00)	BEARING, STEERING	1	
10	91609-60045-00	PIN, SPRING	1	
11	(861-23821-00-00)	ROD, STEERING RELAY	2	
12	90170-12055-00	NUT	2	
13	90170-12054-00	NUT	2	
14	861-23841-00-00	JOINT, UNIVERSAL 1	2	
15	(821-23845-90-00)	JOINT, UNIVERSAL 2	2	
16	(90109-10170-00)	BOLT	2	
17	95306-10900-00	NUT, SLOTTED	4	
18	91401-25030-00	PIN, COTTER	4	
19	861-23851-01-00	ARM, OUTSIDE 1	1	
20	861-23852-01-00	ARM, OUTSIDE 2	1	
21	865-23853-00-00	COLUMN, SKI 1	1	
22	865-23854-00-00	COLUMN, SKI 2	1	
23	90560-20037-00	SPACER	2	
24	90501-35154-00	SPRING, COMPRESSION	2	
25	90215-12031-00	WASHER, LOCK (810-23857-00)	2	
26	95303-12600-00	NUT	2	
27	97011-06020-00	BOLT	2	
28	(90215-06038-00)	WASHER, LOCK	2	

Property of www.SmallEngineDiscount.com - Not for Resale

SKI

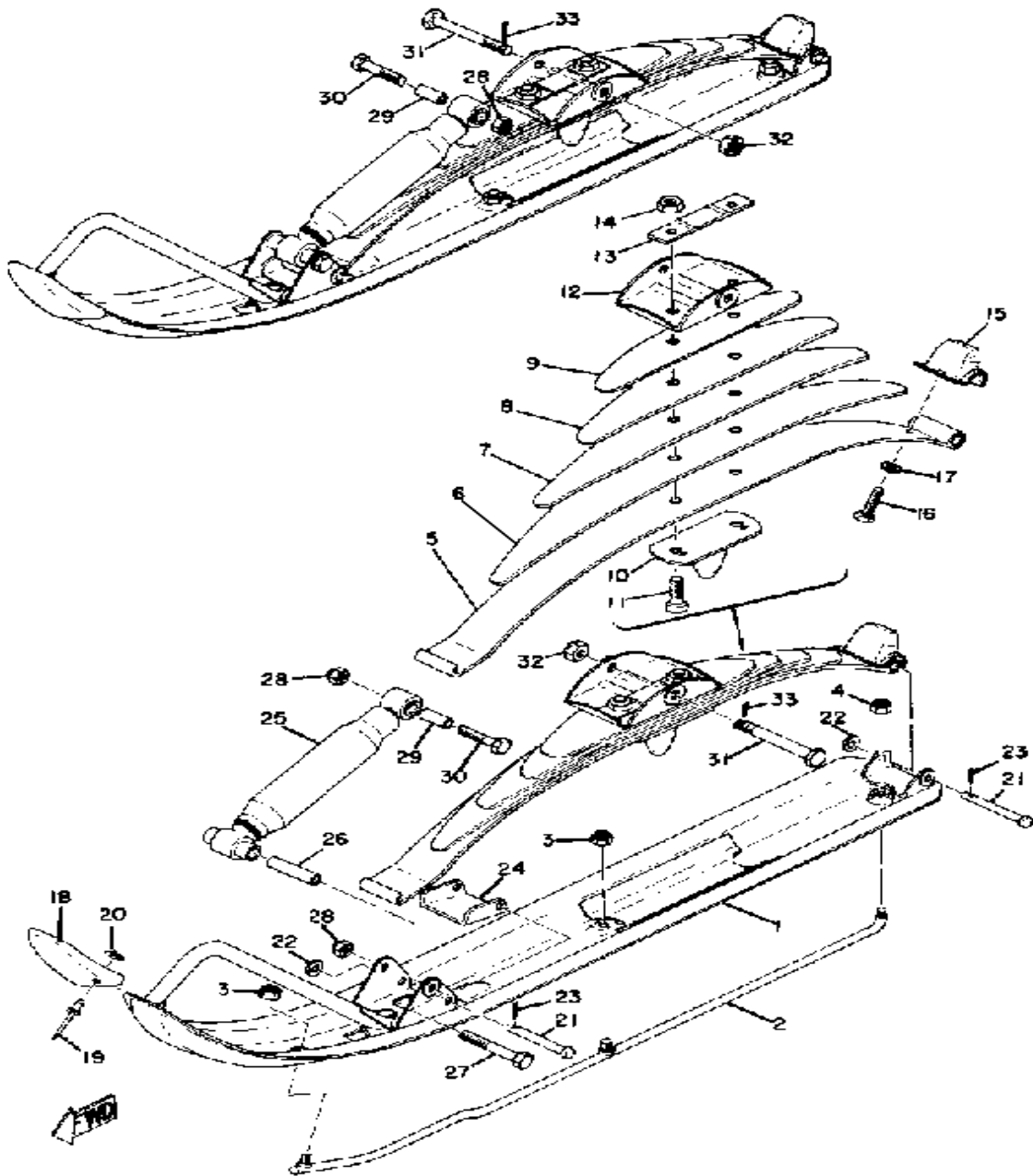


Ref. No.	Part Number	Description	Qty	Remarks
1	(865-23710-00-00)	SKI 1	2	
2	863-23731-02-00	RUNNER 1	2	
3	90185-08089-00	NUT, SELF-LOCKING	4	
4	90185-08055-00	NUT, SELF-LOCKING	2	
5	(865-23761-00-00)	LEAF 1	2	
6	865-23762-00-00	. LEAF 2	2	
7	865-23763-00-00	. LEAF 3	2	
8	865-23762-00-00	. LEAF 2	2	
9	865-23771-00-00	. LEAF 5	2	
10	878-23768-00-00	. SEAT, SPRING 1	2	
11	90101-10060-00	. BOLT	4	
12	(841-23766-00-00)	SADDLE 1	2	
13	90209-10069-00	. WASHER, SPEC'L SHAP	2	
14	95336-10600-00	. NUT	4	
15	(841-23743-01-00)	STOPPER 1	2	
16	90101-06576-00	. BOLT	2	
17	92995-06100-00	. WASHER, SPRING	2	
18	(863-23747-00-00)	PROTECTOR, SKI	2	
19	90267-40029-00	RIVET, BLIND	4	
20	90201-04023-00	WASHER, PLATE	4	
21	90240-08035-00	PIN, CLEVIS (801-23733-00)	4	
22	92906-08200-00	WASHER	4	
23	91401-30020-00	PIN, COTTER	2	
24	802-23735-00-00	PLATE, WEAR 1	2	
25	8F7-23350-00-00	SHOCK ABSORBER ASSEMBLY	2	
26	90387-08224-00	COLLAR	2	
27	97306-08070-00	BOLT, HEXAGON (ISO) (97206-08070)	2	

CONTINUED ON NEXT FRAME ►

Property of www.SmallEngineDiscount.com - Not for Resale

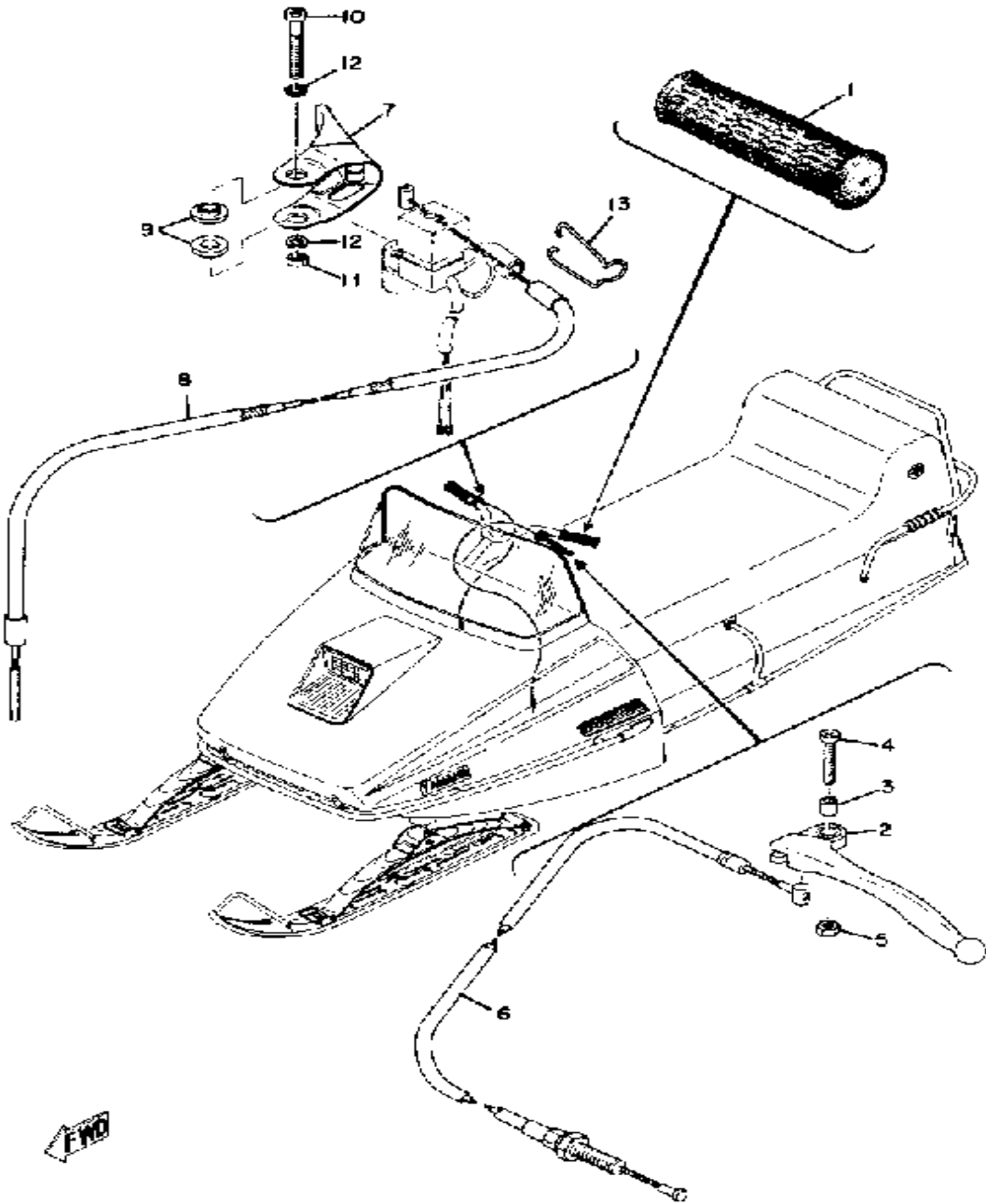
SKI



Ref. No.	Part Number	Description	Qty	Remarks
28	90185-08089-00	NUT, SELF-LOCKING	4	
29	90387-08223-00	COLLAR	2	
30	97026-08045-00	BOLT, HEXAGON	2	
31	90102-10009-00	BOLT, WITH HOLE	2	
32	95306-10900-00	NUT, SLOTTED	2	
33	91490-20025-00	PIN, SPLIT	2	
-1	(865-23760-00-00)	SPRING ASSEMBLY 1	1	
-2	(865-23770-00-00)	SPRING ASSEMBLY 2	1	

Property of www.SmallEngineDiscount.com - Not for Resale

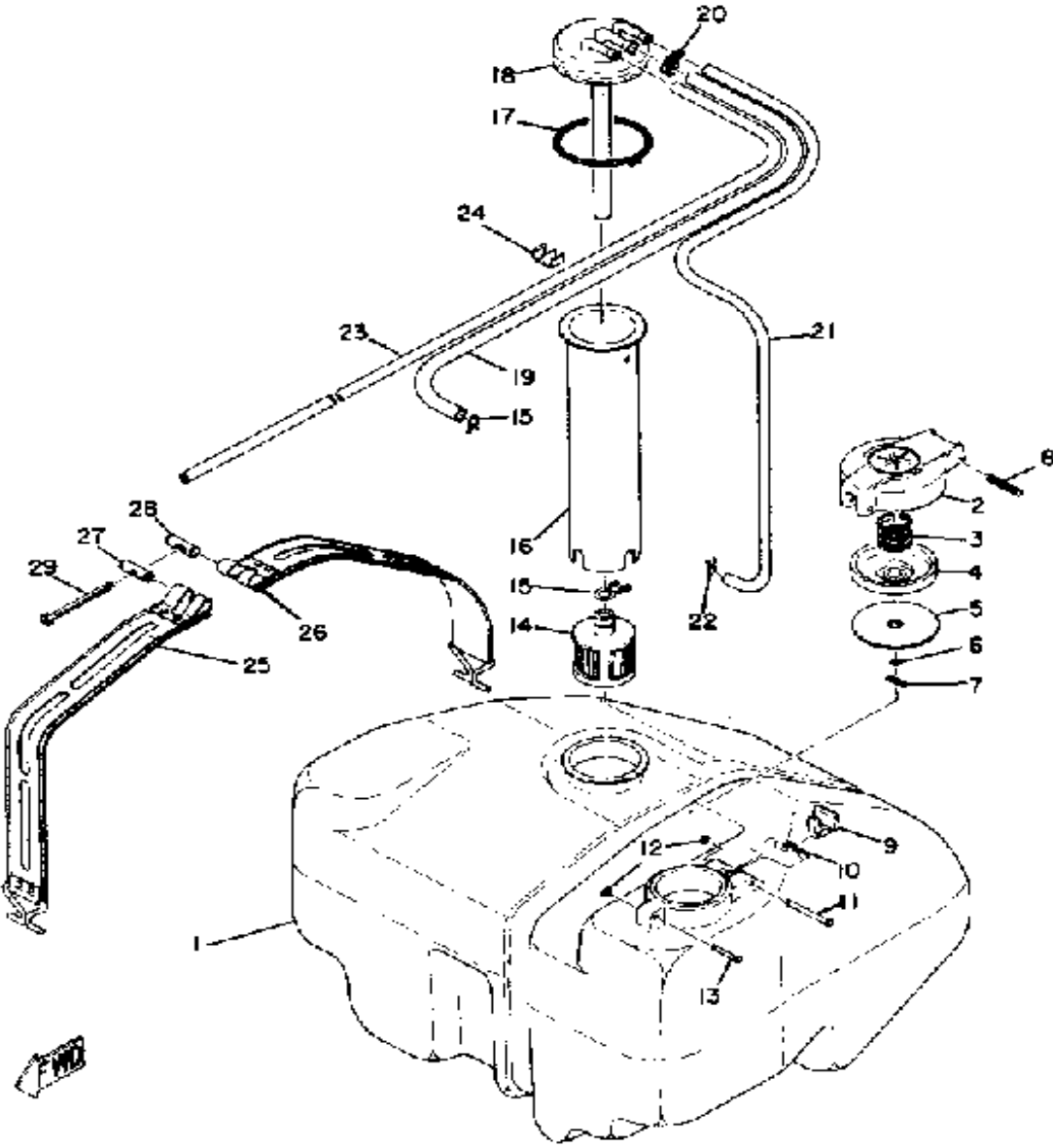
GRIP WIRING



Ref. No.	Part Number	Description	Qty	Remarks
1	801-26241-01-00	GRIP	2	
2	803-83912-00-38	LEVER 1	1	
3	802-83913-00-00	COLLAR, LEVER 1	1	
4	90157-05006-00	SCREW, PAN HEAD (803-83915-00)	1	
5	95311-05700-00	NUT	1	
6	861-26340-02-00	CABLE, BRAKE	1	
7	8G8-42138-00-00	. LEVER, THROTTLE	1	
	90387-06681-00	. COLLAR	2	
	98580-06550-00	. SCREW PAN HEAD (92503-06050)	1	
	99999-01028-00	THROTTLE LEVER	1	
8	863-26311-03-00	CABLE THROTTLE 1	1	
9	90387-062M9-00	COLLAR	2	
10	90157-06004-00	SCREW, PAN HEAD (810-83925-00)	1	
11	95380-06700-00	NUT	1	
12	92990-06200-00	WASHER	2	
13	90468-10017-00	CLIP (821-26391-00)	1	

Property of www.SmallEngineDiscount.com - Not for Resale

FUEL TANK

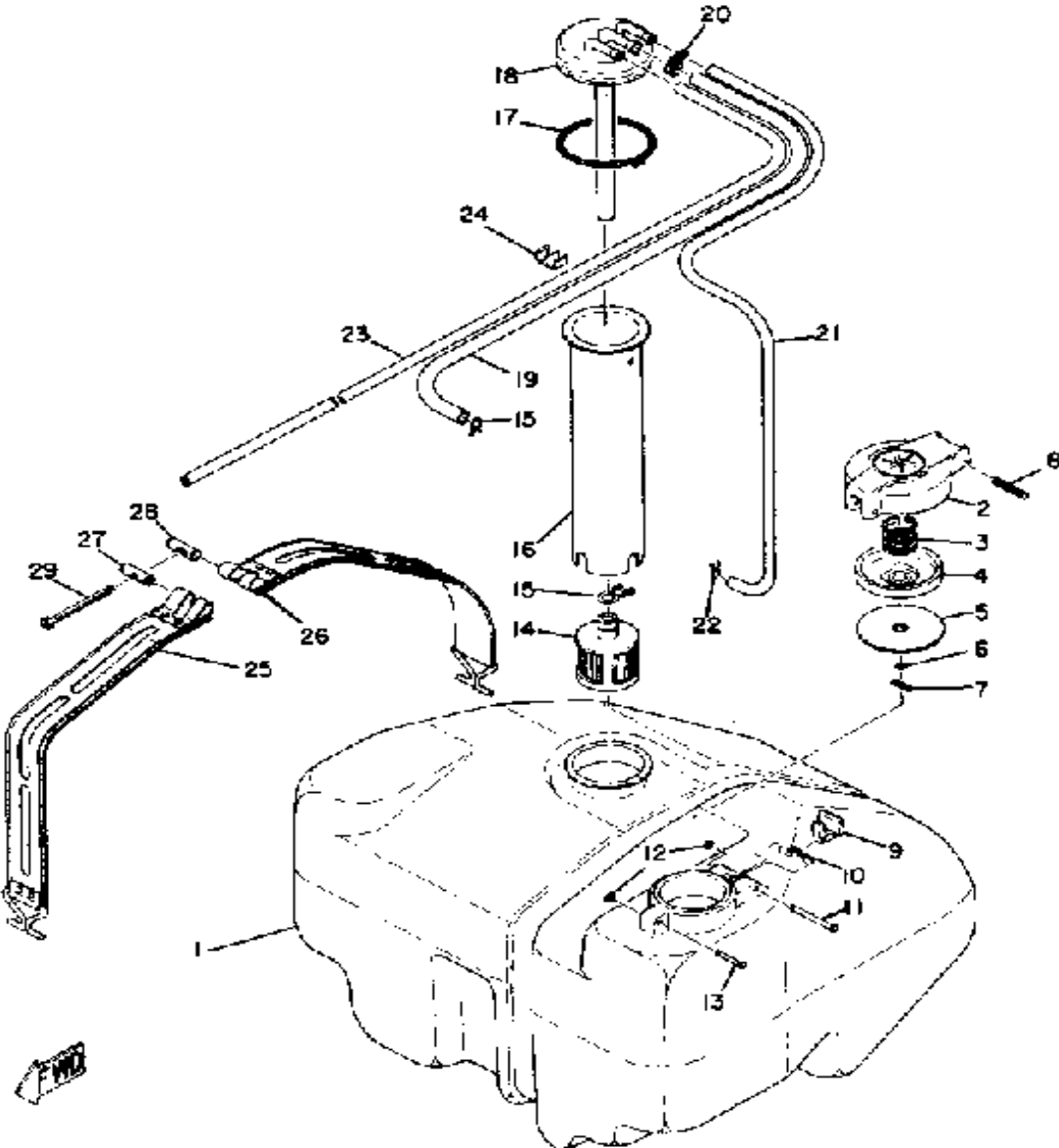


Ref. No.	Part Number	Description	Qty	Remarks
1	865-24111-00-00	FUEL TANK	1	
2	813-24611-01-00	BODY, CAP	1	
3	90501-20130-00	SPRING, COMPRESSION	1	
4	813-24613-01-00	DISC, CAP	1	
5	256-24612-00-00	GASKET, CAP	1	
6	93210-04122-00	O-RING	1	
7	91609-30016-00	PIN, SPRING	1	
8	91609-25032-00	PIN, SPRING	1	
9	83M-24628-00-00	HOOK	1	
10	90508-08003-00	SPRING, TORSION (813-24637-00)	1	
11	90249-03017-00	PIN	1	
12	93430-02001-00	CIRCLIP	2	
13	90249-03016-00	PIN, SPEC'L SHAPE	1	
14	8H5-24560-00-00	FILTER ASSEMBLY	1	
15	90467-11009-00	CLIP	2	
16	865-24336-00-00	PIPE, SUCTION 2	1	
17	90506-06065-00	SPRING, TENSION	1	
18	(865-24335-00-00)	PIPE, SUCTION 1	1	
19	807-24312-00-00	PIPE 2	1	
20	90460-11002-00	CLAMP, HOSE	1	
21	90446-09013-00	HOSE (90446-09079)	1	
22	90460-09001-00	CLAMP, HOSE	1	
23	90446-09057-00	HOSE	1	
24	90468-15020-00	CLIP	2	
25	865-24173-00-00	BAND, TNK FITTING 1	1	
26	(865-24199-00-00)	BAND, TNK FITTING 2	1	
27	806-24135-00-00	CLAMP 1	1	
28	90179-05030-00	NUT, SPEC'L SHAPE (806-24146-00)	1	

CONTINUED ON NEXT FRAME ➤

Property of www.SmallEngineDiscount.com - Not for Resale

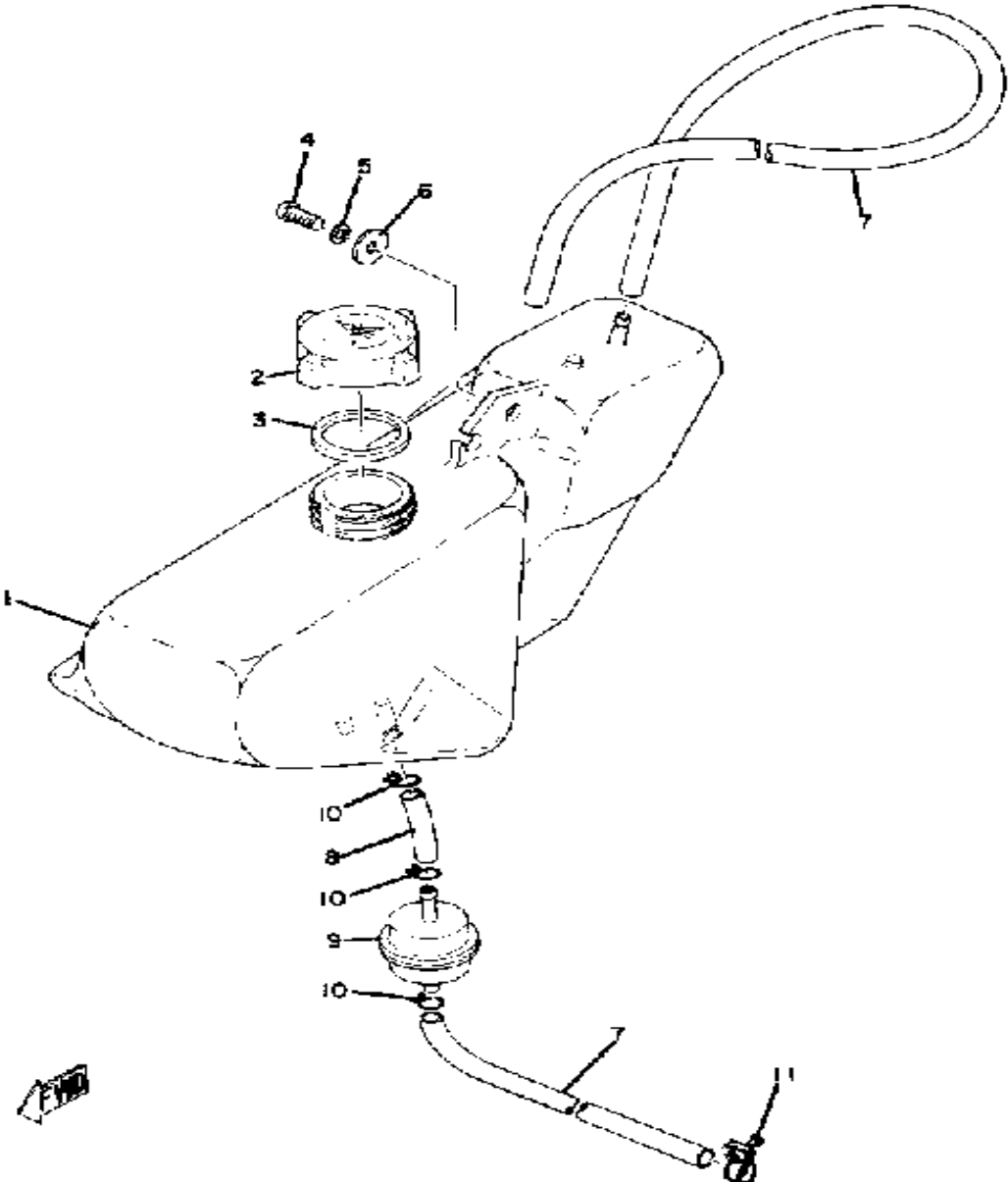
FUEL TANK



Ref. No.	Part Number	Description	Qty	Remarks
29	90149-05006-00	SCREW, SPEC'L SHAPE (821-24176-00)	1	

Property of www.SmallEngineDiscount.com - Not for Resale

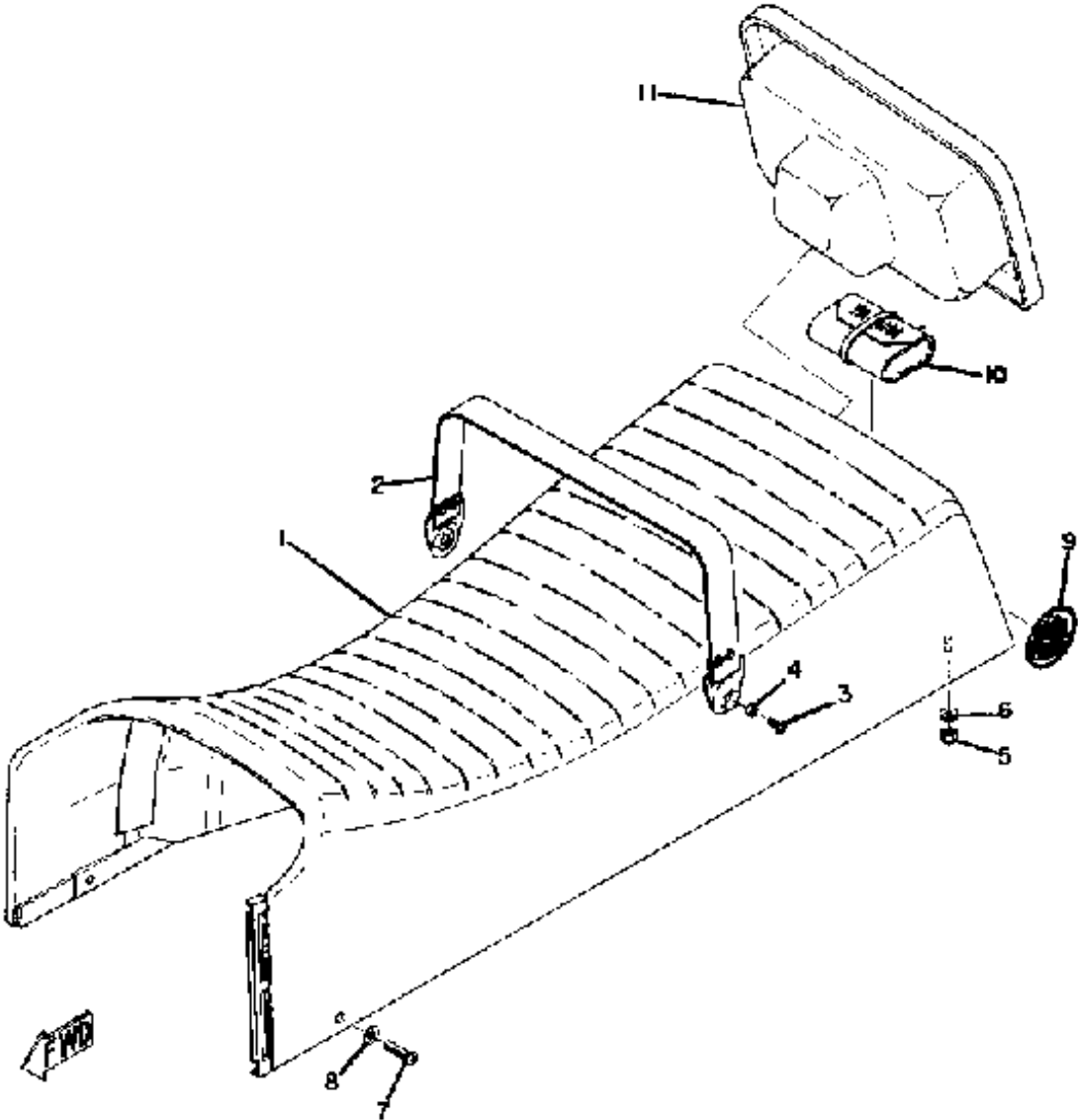
OIL TANK



Ref. No.	Part Number	Description	Qty	Remarks
1	867-21751-00-00	TANK, OIL	1	
2	863-21771-00-00	BODY, CAP	1	
3	90430-31003-00	GASKET	1	
4	98580-05016-00	SCREW, PAN HEAD	1	
5	92990-05100-00	WASHER, SPRING	1	
6	90201-05036-00	WASHER, PLATE	1	
7	90446-09051-00	HOSE (806-24319-00)	2	
8	90446-09052-00	HOSE	1	
9	J10-13410-00-00	STRAINER HSNG ASSEMBLY .	1	
10	90467-09005-00	CLIP, SCISSOR	3	
11	90460-09001-00	CLAMP, HOSE	1	

Property of www.SmallEngineDiscount.com - Not for Resale

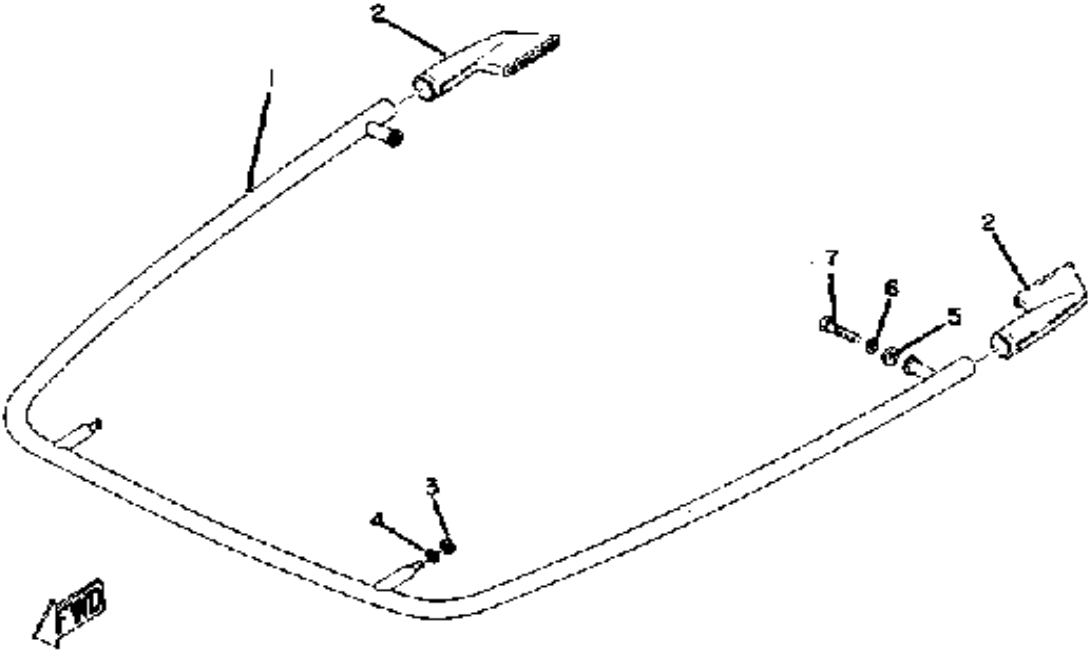
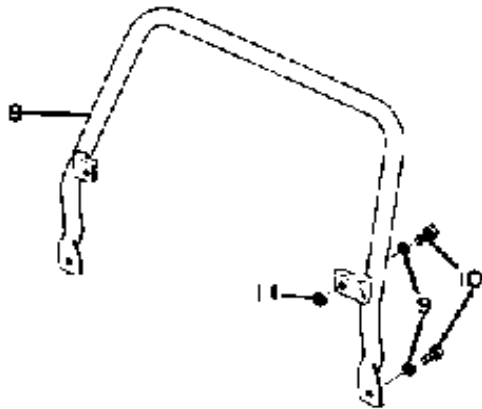
SEAT



Ref. No.	Part Number	Description	Qty	Remarks
1	(865-24730-00-00)	DOUBLE SEAT ASSEMBLY ...	1	
2	(865-24734-00-00)	BAND, SEAT	1	
3	98903-08012-00	SCREW, BIND	2	
4	700-48183-10-00	COLLAR 3	2	
5	90185-08089-00	NUT, SELF-LOCKING	2	
6	92906-08200-00	WASHER	2	
7	90159-06015-00	SCREW, WITH WASHER	2	
8	90201-06059-00	WASHER, PLATE	2	
9	821-77352-00-00	EMBLEM 2	2	
10	(865-28100-10-00)	TOOL KIT	1	
11	(865-77360-00-00)	TOOL BOX LID ASSEMBLY ...	1	
1-1	865-24731-00-00	. COVER, DOUBLE SEAT	1	

Property of www.SmallEngineDiscount.com - Not for Resale

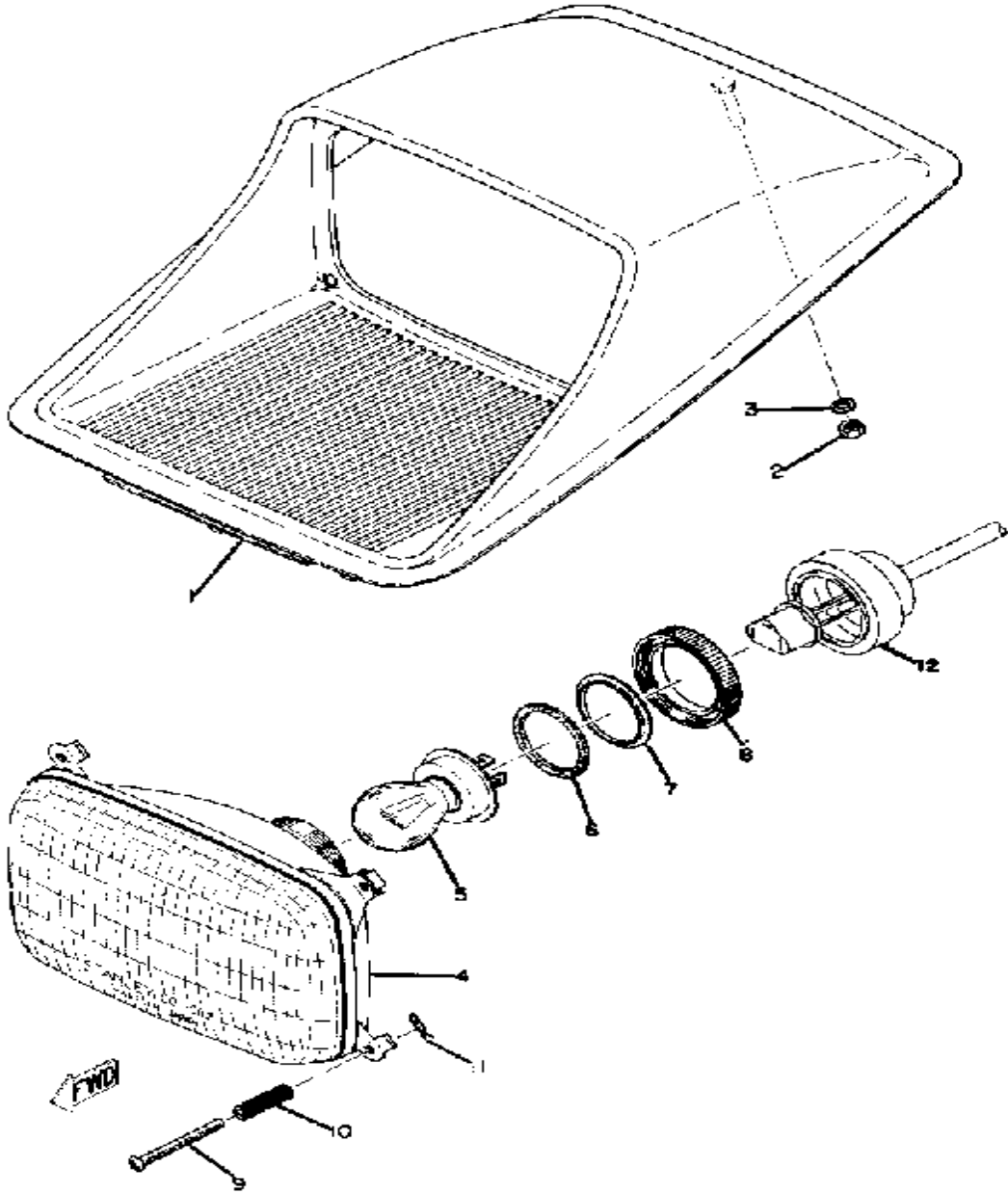
BUMPER



Ref. No.	Part Number	Description	Qty	Remarks
1	841-77510-00-00	FRONT BUMPER	1	
2	838-77523-00-00	END, BUMPER	2	
3	90170-08031-00	NUT, HEXAGON	2	
4	92990-08100-00	WASHER	2	
5	(90201-08456-00)	WASHER, PLATE	2	
6	92906-08100-00	WASHER, SPRING	2	
7	97306-08040-00	BOLT, HEXAGON	2	
8	(865-77541-00-00)	BUMPER, REAR 1	1	
9	92995-06100-00	WASHER, SPRING	4	
10	97023-06020-00	BOLT (3XF)	4	
11	90387-06022-00	COLLAR	2	

Property of www.SmallEngineDiscount.com - Not for Resale

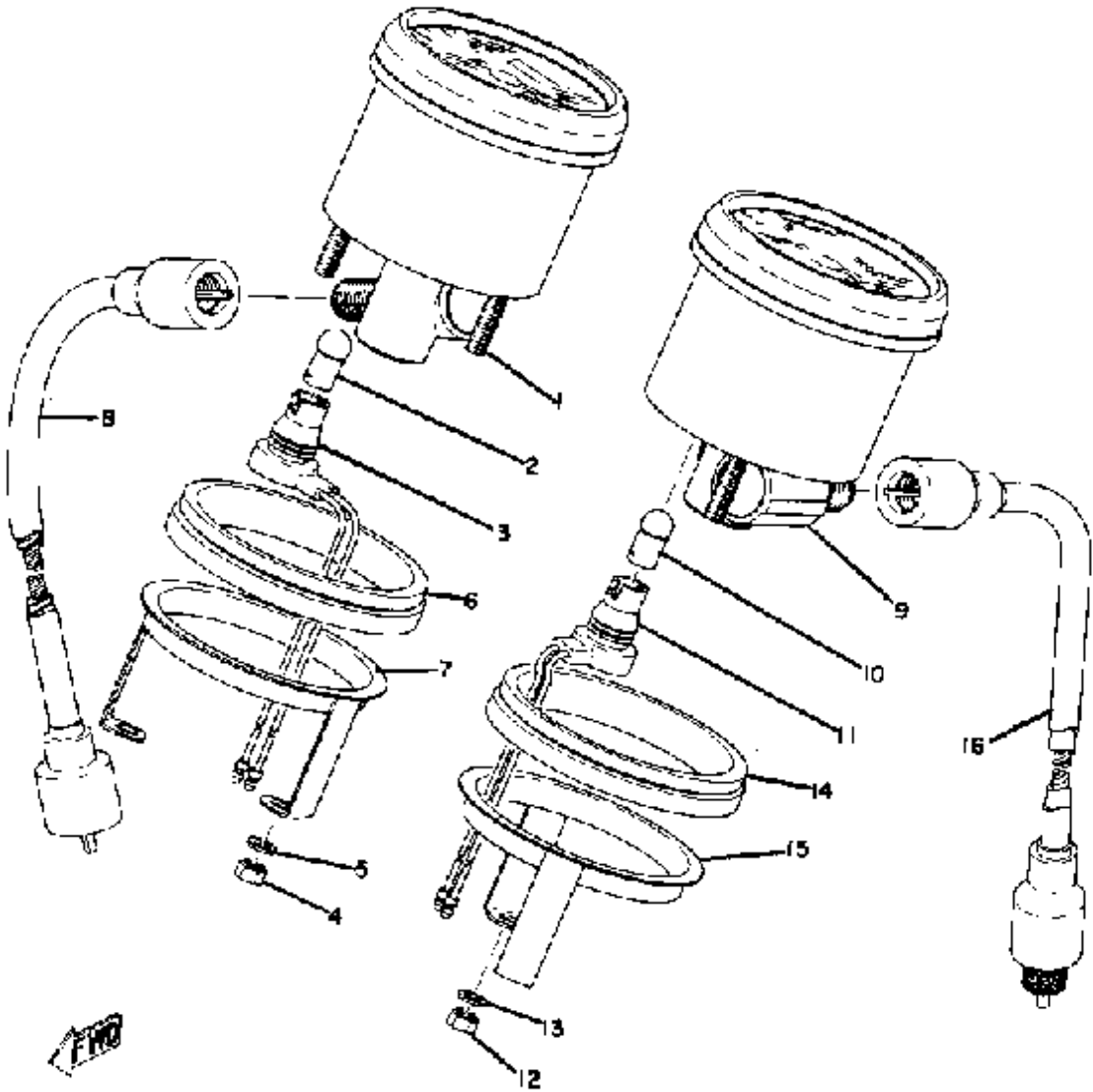
HEAD LAMP



Ref. No.	Part Number	Description	Qty	Remarks
1	(861-84311-00-00)	BODY, HEADLIGHT	1	
2	95306-05600-00	NUT	1	
3	92906-05100-00	WASHER, SPRING	1	
4	(838-84320-01-00)	LENS ASSEMBLY	1	
5	838-84314-00-00	BULB, HEADLIGHT	1	
6	838-84327-00-00	WASHER, SPECIAL	1	
7	838-84328-00-00	SPACER	1	
8	838-84317-00-00	NUT	1	
9	8M6-84331-00-00	SCREW, RIM ADJUSTING (8A5-84331-00-00)	4	
10	8A5-84332-00-00	SPRING, SCREW	4	
11	(807-84351-00-00)	CLAMP, CORD	4	
12	8E4-84359-00-00	CORD, HEADLIGHT (865-84359-00)	1	

Property of www.SmallEngineDiscount.com - Not for Resale

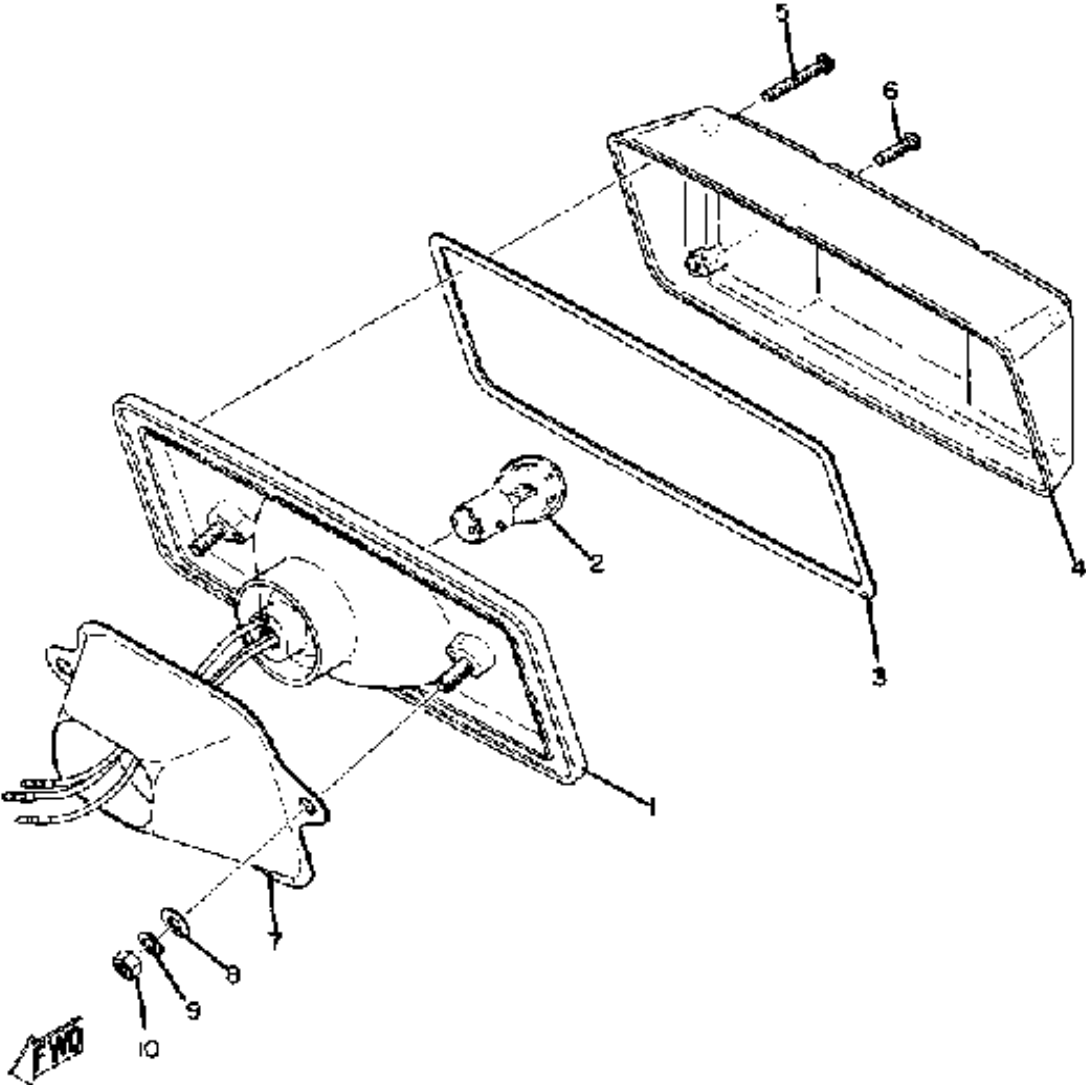
SPEEDOMETER - TACHOMETER



Ref. No.	Part Number	Description	Qty	Remarks
1	861-83510-41-00	SPEEDOMETER ASSEMBLY ..	1	
2	123-83516-21-00	. BULB (12V-3.4W)	1	
3	(861-83536-40-00)	SOCKET, METER	1	
4	95380-05600-00	. NUT	2	
5	92990-05100-00	. WASHER, SPRING	2	
6	861-83523-40-00	DAMPER	1	
7	861-83514-40-00	PLATE, FITTING	1	
8	839-83550-01-00	SPEEDOMETER CABLE	1	
9	(ACC-01200-42-74)	TACHOMETER KIT	1	
10	123-83516-21-00	. BULB (12V-3.4W)	1	
11	(861-83536-40-00)	SOCKET, METER	1	
12	95380-05600-00	. NUT	2	
13	92995-06100-00	. WASHER, SPRING	2	
14	861-83523-40-00	DAMPER	1	
15	861-83514-40-00	PLATE, FITTING	1	
16	843-83560-01-00	TACHOMETER CABLE (843-83560-00)	1	

Property of www.SmallEngineDiscount.com - Not for Resale

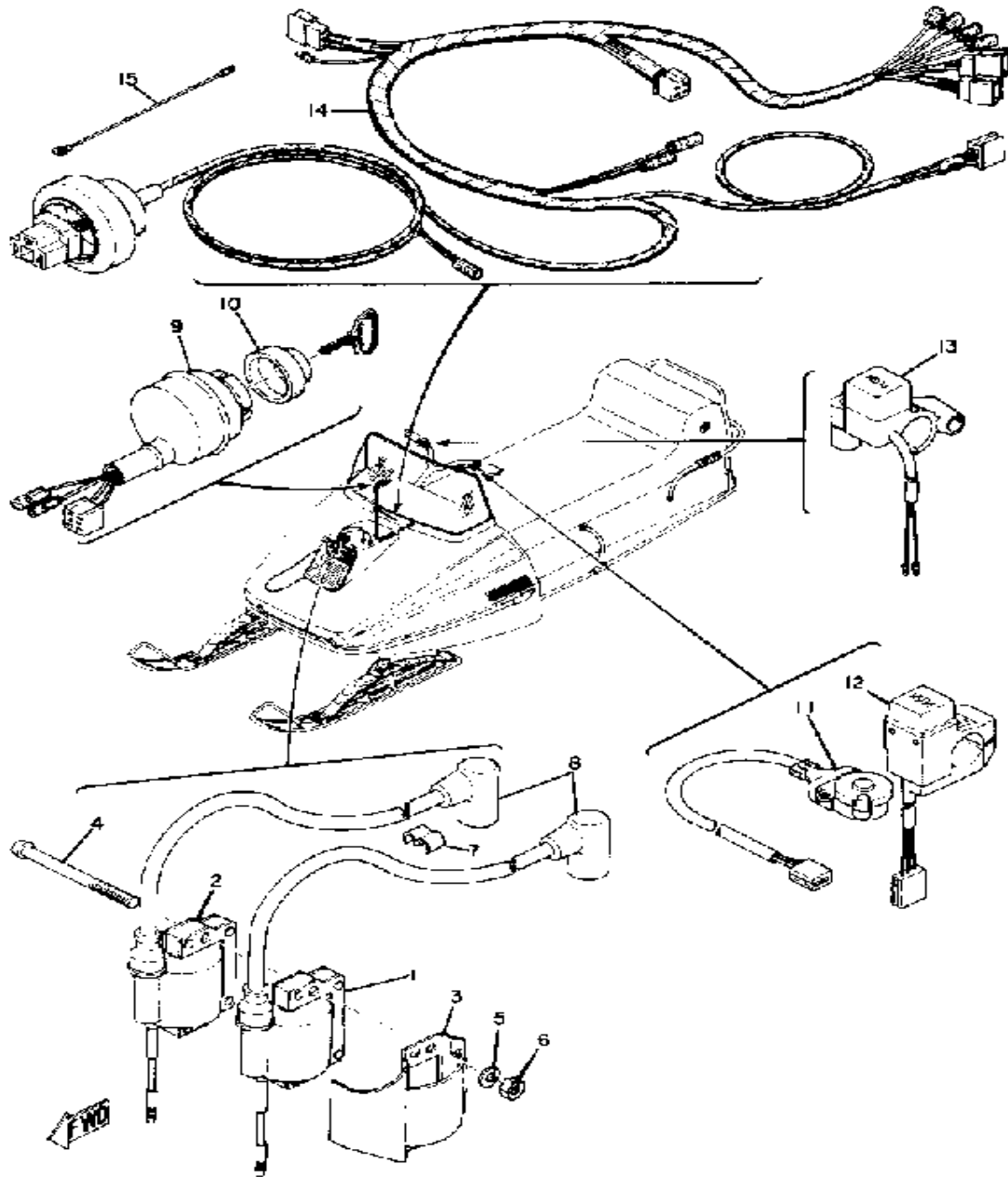
TAIL LAMP



Ref. No.	Part Number	Description	Qty	Remarks
1	853-84710-00-00	. TAILLIGHT UNIT ASSEMBLY .	1	
2	137-84714-61-00	. BULB, TL 12V23/8W (J50-83311-00)	1	
3	821-84712-00-00	. SEAT, BASE	1	
4	821-84721-00-00	. LENS, TAILLIGHT	1	
5	98511-04030-00	. SCREW, PAN HEAD	2	
6	98503-04014-00	. SCREW, PAN HEAD	2	
7	(853-24796-00-00)	COVER	1	
8	92990-06200-00	WASHER	2	
9	92995-06100-00	WASHER, SPRING	2	
10	95380-06600-00	NUT	2	
-1	853-84710-00-00	TAILLIGHT UNIT ASSEMBLY . .	1	

Property of www.SmallEngineDiscount.com - Not for Resale

ELECTRICAL



Ref. No.	Part Number	Description	Qty	Remarks
1	838-82310-40-00	IGNITION COIL ASSEMBLY ...	1	
2	(839-82310-40-00)	IGNITION COIL ASSEMBLY ...	1	
3	861-82361-00-00	CLAMP, CORD	1	
4	98506-06070-00	SCREW, PAN HEAD	2	
5	92906-06100-00	WASHER, SPRING	2	
6	95316-06600-00	NUT	2	
7	861-82361-00-00	CLAMP, CORD	1	
8	663-82370-01-00	PLUG CAP ASSEMBLY	2	
9	898-82508-20-00	MAIN SWITCH ASSEMBLY ...	1	
10	806-82516-00-00	COLLAR, MAIN SWITCH	1	
11	822-82530-00-00	STOP SWITCH ASSEMBLY ...	1	
12	861-83950-01-00	BEAM SWITCH ASSEMBLY ...	1	
13	883-83976-00-00	SWITCH, HANDLE 1	1	
14	(865-82590-21-00)	WIRE HARNESS ASSEMBLY ..	1	
15	(838-82519-00-00)	WIRE, EARTH LEAD	1	

Property of www.SmallEngineDiscount.com - Not for Resale