



YAMAHA

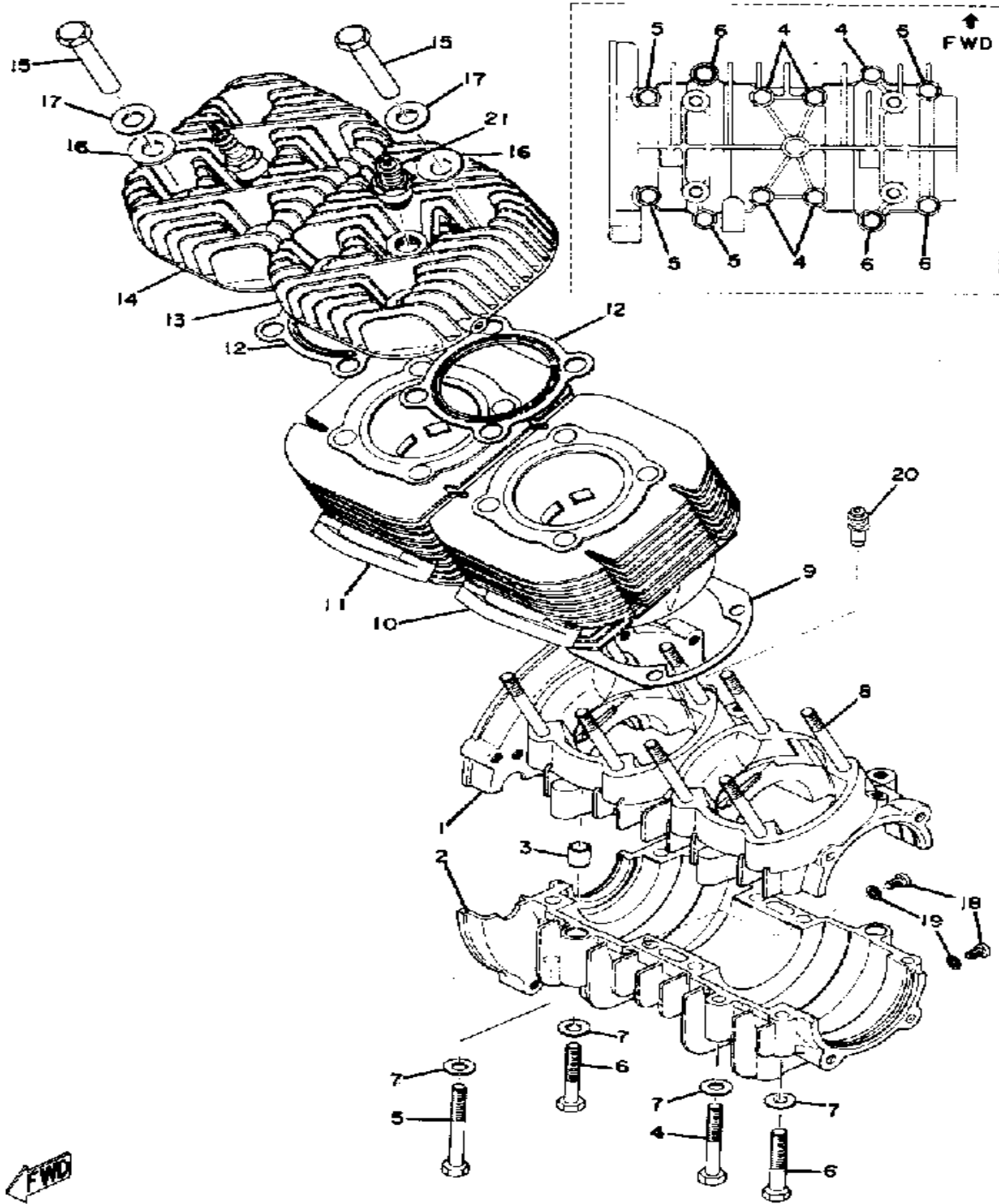
GENUINE

PARTS CATALOGUE

SNOWMOBILE

Property of www.SmallEngineDiscount.com - Not for Resale

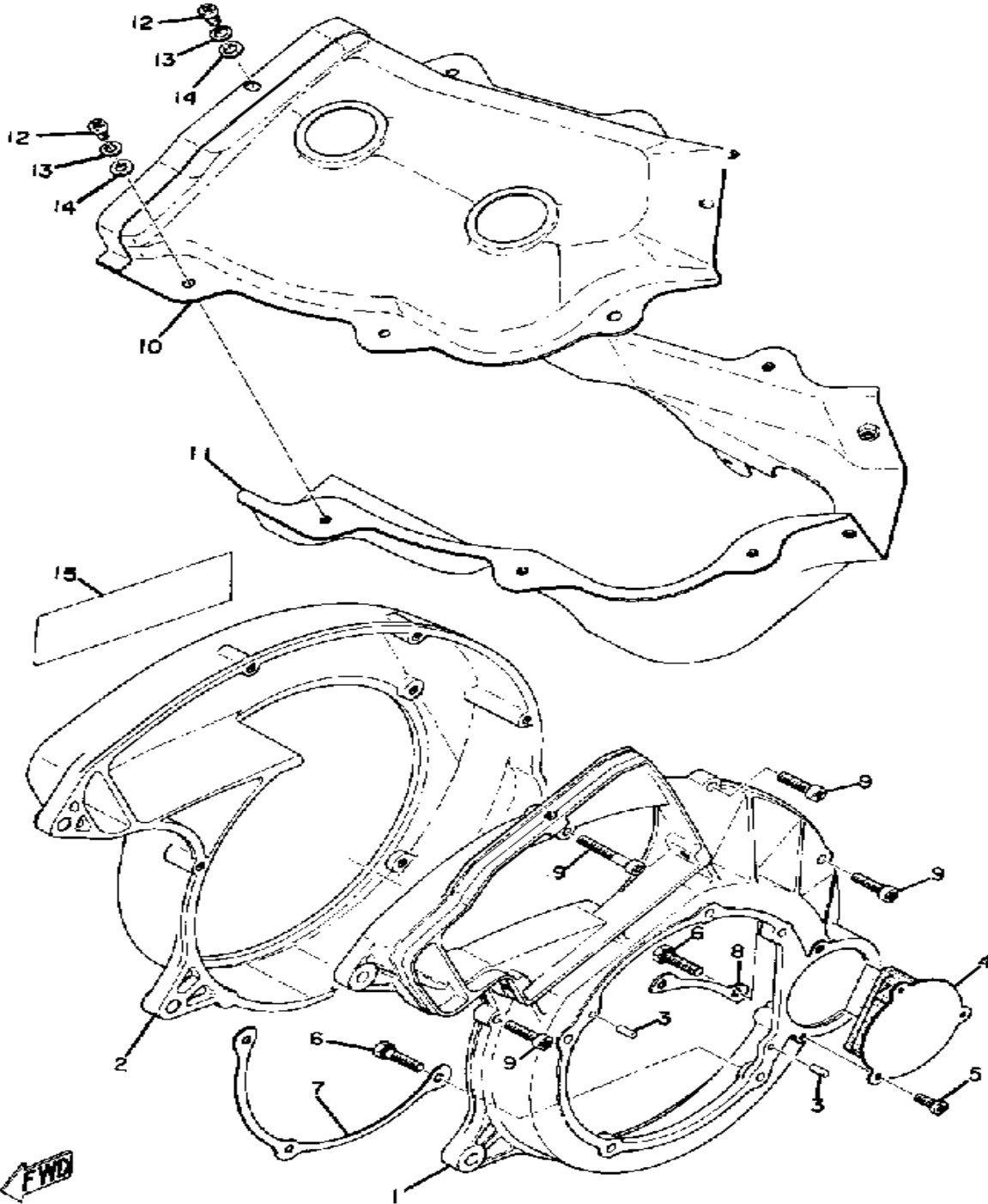
CRANKCASE - CYLINDER



Ref. No.	Part Number	Description	Qty	Remarks
1	UNA-VAILA-BL-EI	0 0		
2	UNA-VAILA-BL-EI	0 0		
3	99510-12016-00	PIN, DOWEL	2	
4	97013-08060-00	BOLT (663)	5	
5	97021-08070-00	BOLT	3	
6	97313-08050-00	BOLT, HEXAGON (90101-08125)	4	
7	92990-08200-00	WASHER, PLAIN	10	
8	90116-08064-00	BOLT, STUD	8	
9	857-11351-00-00	GASKET, CYLINDER	2	
10	(828-11311-00-00)	CYLINDER, LEFT	1	
11	(828-11321-00-00)	CYLINDER, RIGHT	1	
12	818-11181-00-00	GASKET, CYLINDER HEAD 1 .	2	
13	(818-11111-00-00)	HEAD, CYLINDER 1	1	
14	818-11121-00-00	HEAD, CYLINDER 2	1	
15	90179-08090-00	NUT, SPEC'L SHAPE	8	
16	90208-12015-00	WASHER, CONICAL SPRING ..	8	
17	92990-12200-00	WASHER, PLAIN	8	
18	98580-06010-00	SCREW, PAN HEAD (92503-06010)	2	
19	90430-06017-00	GASKET	2	
20	J38-11116-00-00	JOINT, BREATHER	1	
21	94700-00051-00	PLUG, SPARK (N-2G)	2	CHAMPION
-1	(821-15100-00-00)	CRANKCASE ASSEMBLY	1	

Property of www.SmallEngineDiscount.com - Not for Resale

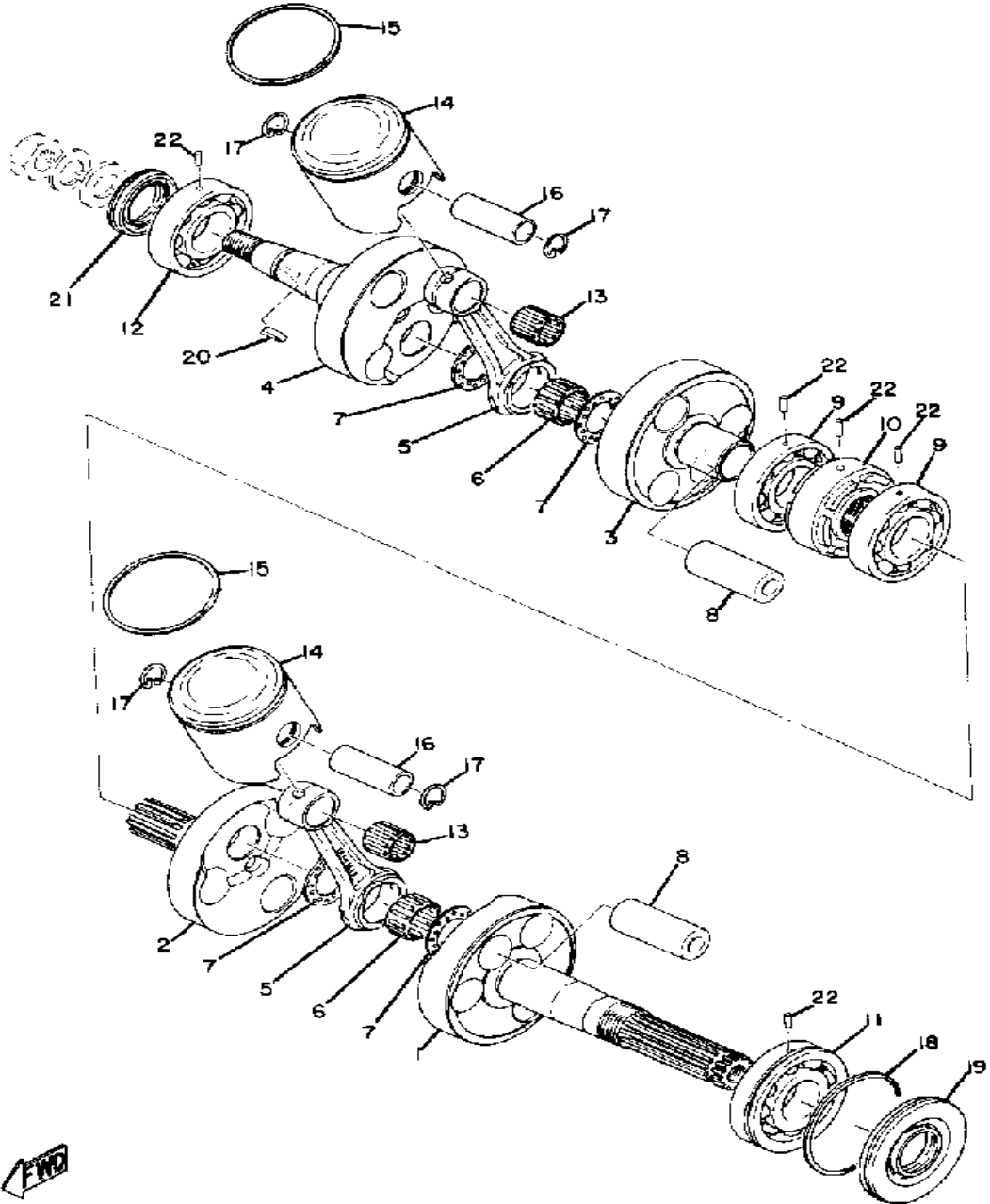
FAN CASE - AIR SHROUD



Ref. No.	Part Number	Description	Qty	Remarks
1	(821-12621-00-00)	CASE, FAN	1	
2	(821-12622-00-00)	CASE, FAN 2	1	
	838-12622-00-00	CASE, FAN 2	1	
3	93604-14012-00	PIN, DOWEL	2	
4	(821-12633-00-00)	PLATE	1	
5	98580-05010-00	SCREW, PAN HEAD	2	
6	(807-12623-00-00)	BOLT	5	
7	(807-12624-00-00)	WASHER, LOCK 1	1	
	(838-12624-00-00)	WASHER, LOCK 1	5	
8	(807-12625-00-00)	WASHER, LOCK 2	1	
9	98506-06025-00	SCREW, PAN HEAD	6	
10	(821-12651-00-00)	AIR SHROUD, CYLINDER 1 ...	1	
11	(821-12652-00-00)	AIR SHROUD, CYLINDER 2 ...	1	
12	98516-06012-00	SCREW, PAN HEAD	10	
13	92906-06100-00	WASHER, SPRING	10	
14	92906-06200-00	WASHER	10	
15	828-77351-00-00	EMBLEM	1	

Property of www.SmallEngineDiscount.com - Not for Resale

CRANK - PISTON



PISTON CLEARANCE (Standard/Max. allowable)		
PISTON RING QUANTITY PER PISTON/DESIGN/COATING 1/Keystone/Tellan over chrome		
TOP RING END GAP	LAND CLEARANCE	.35-.55
SECOND RING END GAP	LAND CLEARANCE	

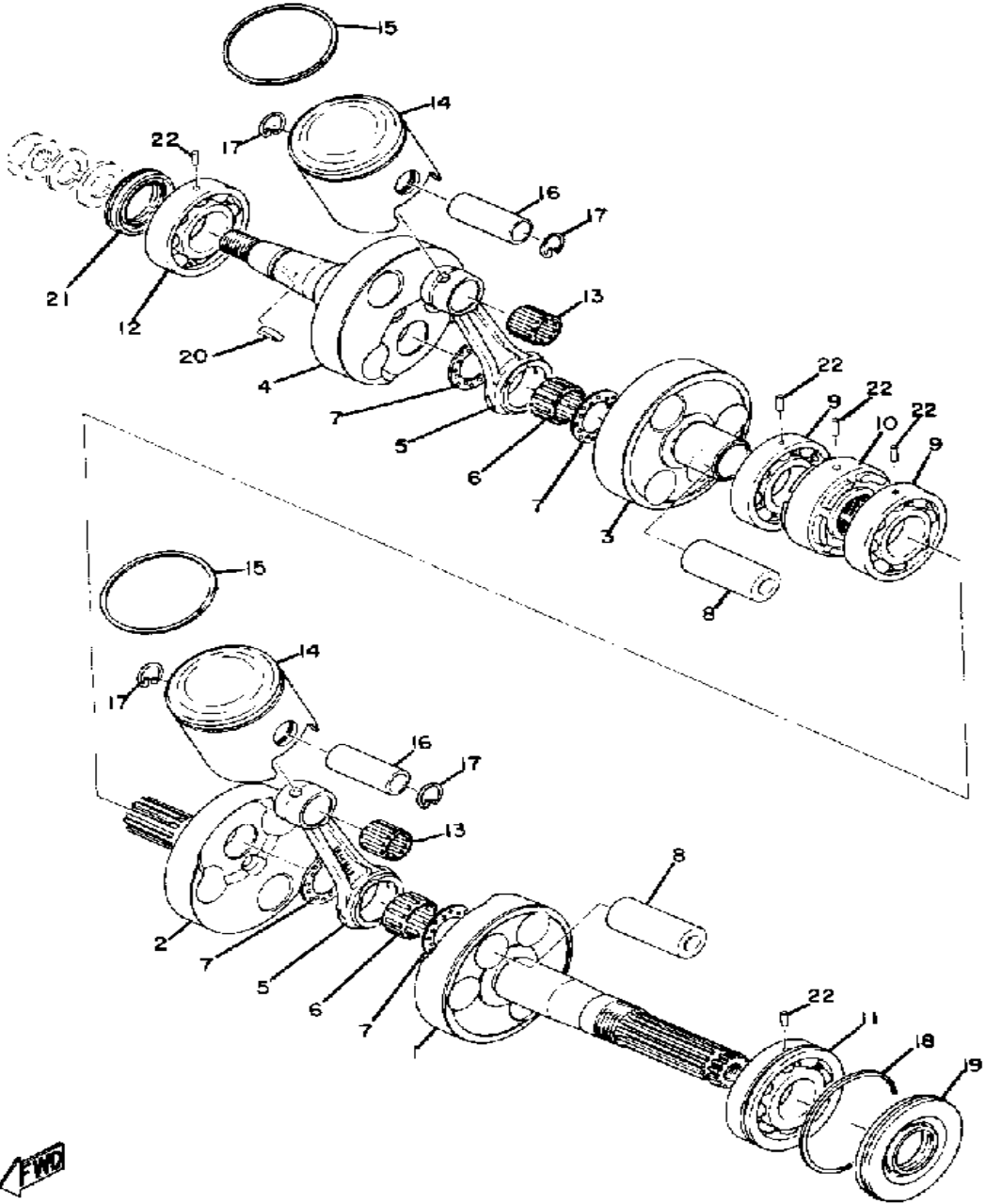
Ref. No.	Part Number	Description	Qty	Remarks
1	811-11412-00-00	CRANK 1, LEFT	1	
	821-11412-00-00	CRANK 1, LEFT	1	
2	811-11422-00-00	CRANK 1, RIGHT	1	
	821-11422-01-00	CRANK 1, RIGHT (821-11422-00)	1	
3	807-11432-00-00	CRANK 2, LEFT	1	
	821-11432-01-00	CRANK 2, LEFT (821-11432-00)	1	
4	807-11442-00-00	CRANK 2, RIGHT	1	
	821-11442-00-00	CRANK 2, RIGHT	1	
5	8A7-11651-00-00	. ROD, CONNECTING (838-11651-00)	2	
6	93310-42497-00	. BEARING, CYLINDER.# 0	2	
7	90209-24073-00	. WASHER	4	
8	168-11681-00-00	. PIN, CRANK 1	2	
	857-11681-00-00	. PIN, CRANK 1	2	
9	93306-20633-00	. BEARING	2	
10	811-11515-00-00	. SEAL, LABYRINTH 1	1	
11	93306-30603-00	. BEARING	1	
12	93306-20633-00	. BEARING	1	
13	93310-218A6-00	BEARING	2	
14	820-11631-02-96	PISTON (.96 STD)	2	
	820-11635-02-00	PISTON (0.25 1ST O.S)	2	ALTERNATE PART
	820-11636-02-00	PISTON (0.50 2ND O.S)	2	ALTERNATE PART
15	820-11611-00-00	RING, PISTON (STD)	2	
	820-11611-10-00	RING, PISTON (1ST O.S)	2	ALTERNATE PART
	820-11611-20-00	RING, PISTON (2ND O.S)	2	ALTERNATE PART
16	818-11633-00-00	PIN, PISTON	2	
17	93450-20026-00	CIRCLIP	4	
18	93440-78011-00	CIRCLIP, OUTER	1	

CONTINUED ON NEXT FRAME ►

Property of www.SmallEngineDiscount.com - Not for Resale

CRANK - PISTON

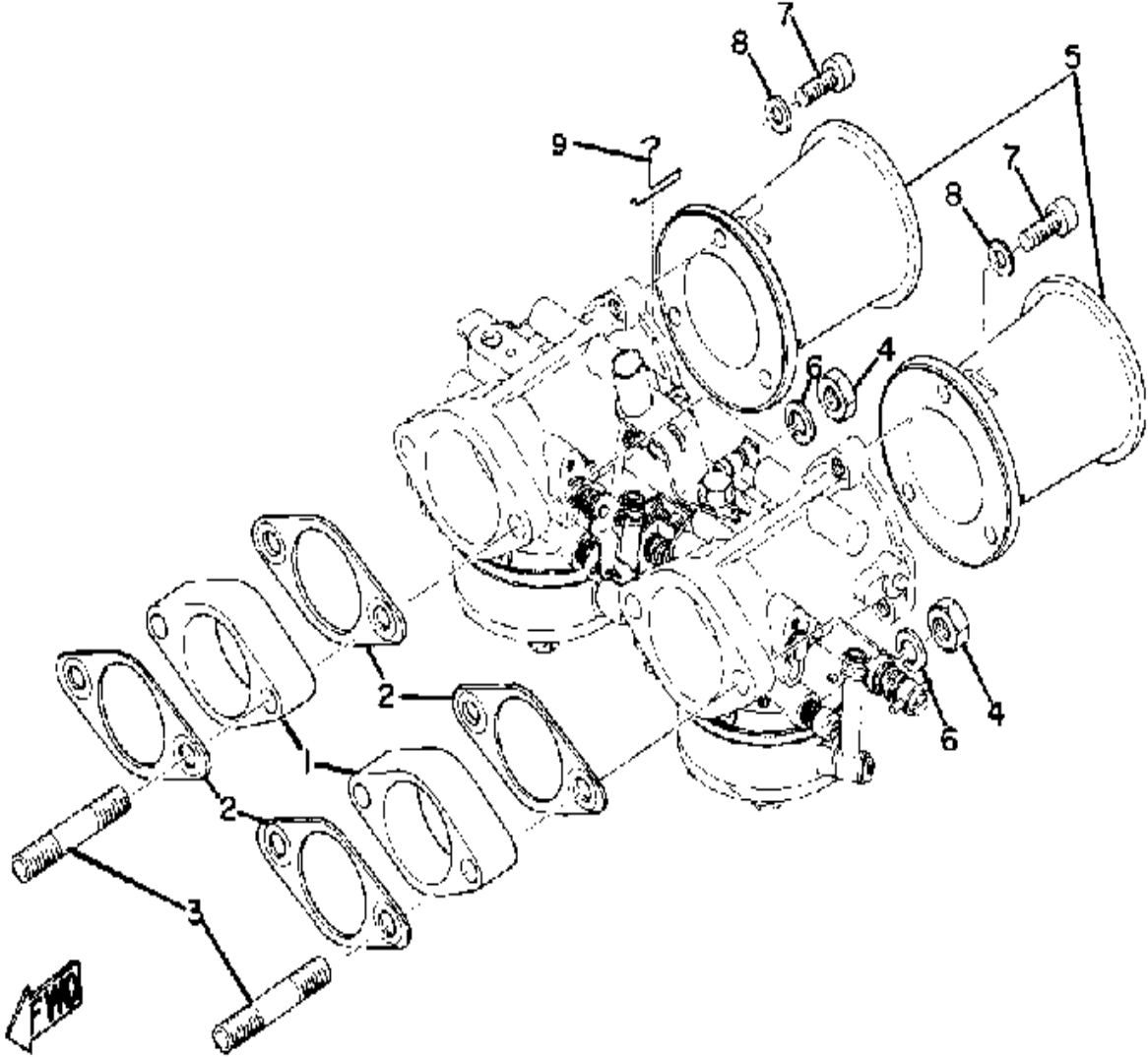
Ref. No.	Part Number	Description	Qty	Remarks
19	93103-32054-00	OIL SEAL, SW-TYPE	1	
20	90280-16053-00	KEY, WOODRUFF	1	
21	93103-32156-00	OIL SEAL	1	
22	93604-12037-00	PIN, DOWEL	5	
-1	811-11400-00-00	CRANKSHAFT ASS'Y	1	
	821-11400-00-00	CRANKSHAFT ASS'Y	1	



PISTON CLEARANCE (Standard/Max. allowable)		
PISTON RING QUANTITY PER PISTON/DESIGN/COATING 1/Keystone/Tellon over chrome		
TOP RING END GAP	LAND CLEARANCE	.35-.55
SECOND RING END GAP	LAND CLEARANCE	

Property of www.SmallEngineDiscount.com - Not for Resale

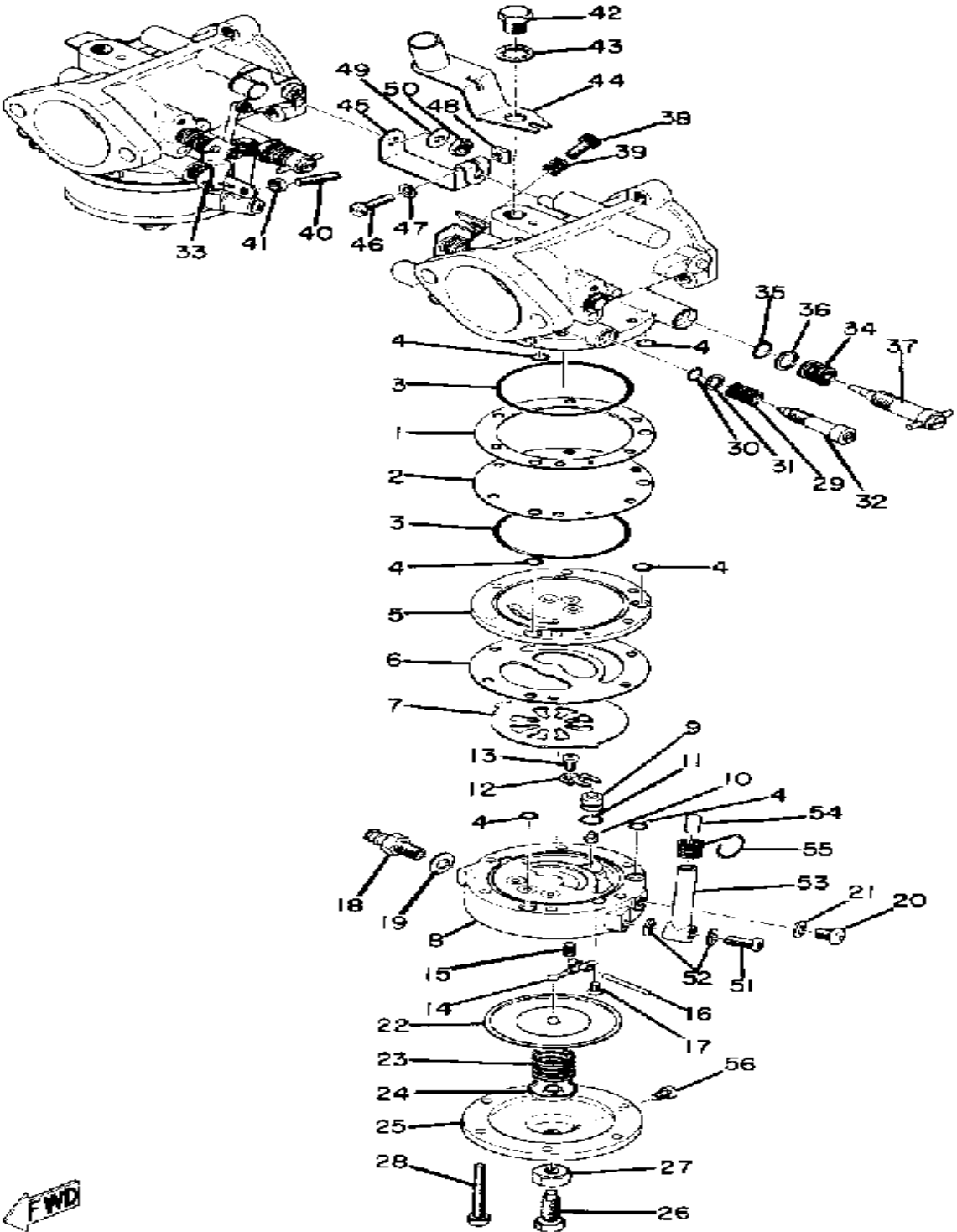
INTAKE



Ref. No.	Part Number	Description	Qty	Remarks
1	820-13555-00-00	JOINT	2	
2	828-13556-00-00	GASKET	4	
3	90116-08057-00	BOLT, STUD	4	
4	95303-08700-00	NUT	4	
5	828-14479-00-00	FUNNEL	2	
6	92990-08100-00	WASHER	4	
7	98503-06014-00	SCREW, PAN HEAD (92502-06016)	6	
8	92990-06200-00	WASHER	6	
9	822-41222-00-00	CLAMP, THROTTLE	1	

Property of www.SmallEngineDiscount.com - Not for Resale

CARBURETOR

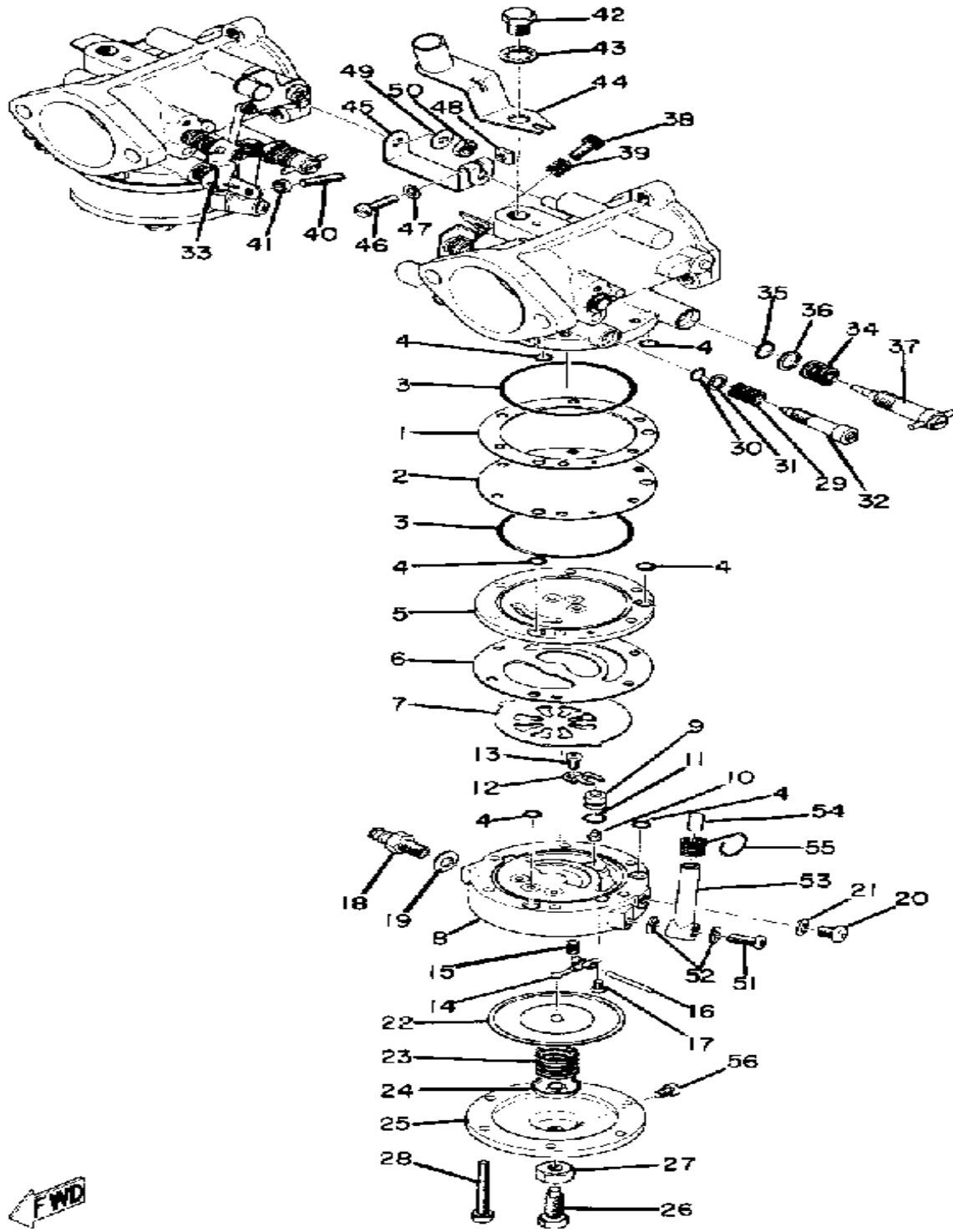


Ref. No.	Part Number	Description	Qty	Remarks
1	806-14536-00-00	. GASKET	2	
2	806-14541-00-00	. DIAPHRAGM, PUMP	2	
3	806-14562-00-00	. O-RING	4	
4	810-14561-00-00	. O-RING	12	
5	824-14542-00-00	BODY, PUMP 1	2	
6	810-14553-00-00	GASKET	2	
7	806-14552-01-00	. VALVE, CHECK	2	
8	810-14543-00-00	BODY, PUMP 2	2	
9	824-14590-00-00	VALVE SEAT ASS'Y (K1.4) ...	2	
10	676-14186-00-00	. PIN, FLOAT	2	
11	810-24486-00-00	. O-RING	2	
12	810-14549-00-00	PLATE, PIN SET	2	
13	98580-03008-00	. SCREW, PAN HEAD	2	
14	810-14547-00-00	ARM, FLOAT	2	
15	810-14556-00-00	. SPRING	2	
16	806-14541-00-00	. DIAPHRAGM, PUMP	2	
17	98702-03008-00	. SCREW, FLAT HEAD	2	
18	813-14568-00-00	. JOINT	2	
19	810-14558-00-00	. WASHER	2	
20	806-14567-01-00	. SCREW, PLUG	2	
21	810-14597-00-00	. WASHER	2	
22	810-14545-00-00	. DIAPHRAGM	2	
23	810-14555-00-00	. SPRING, MAIN DIAPHRAGM .	2	
24	676-14186-00-00	. PIN, FLOAT	2	
25	813-14544-00-00	. BODY, PUMP 3	2	
26	824-14565-00-00	. SCREW, STOP	2	
27	95303-08700-00	. NUT	2	
28	824-24567-00-00	. SCREW, PAN HEAD	12	
29	824-14531-00-00	. SPRING, SLOW ADJUSTER ..	2	

CONTINUED ON NEXT FRAME ►

Property of www.SmallEngineDiscount.com - Not for Resale

CARBURETOR



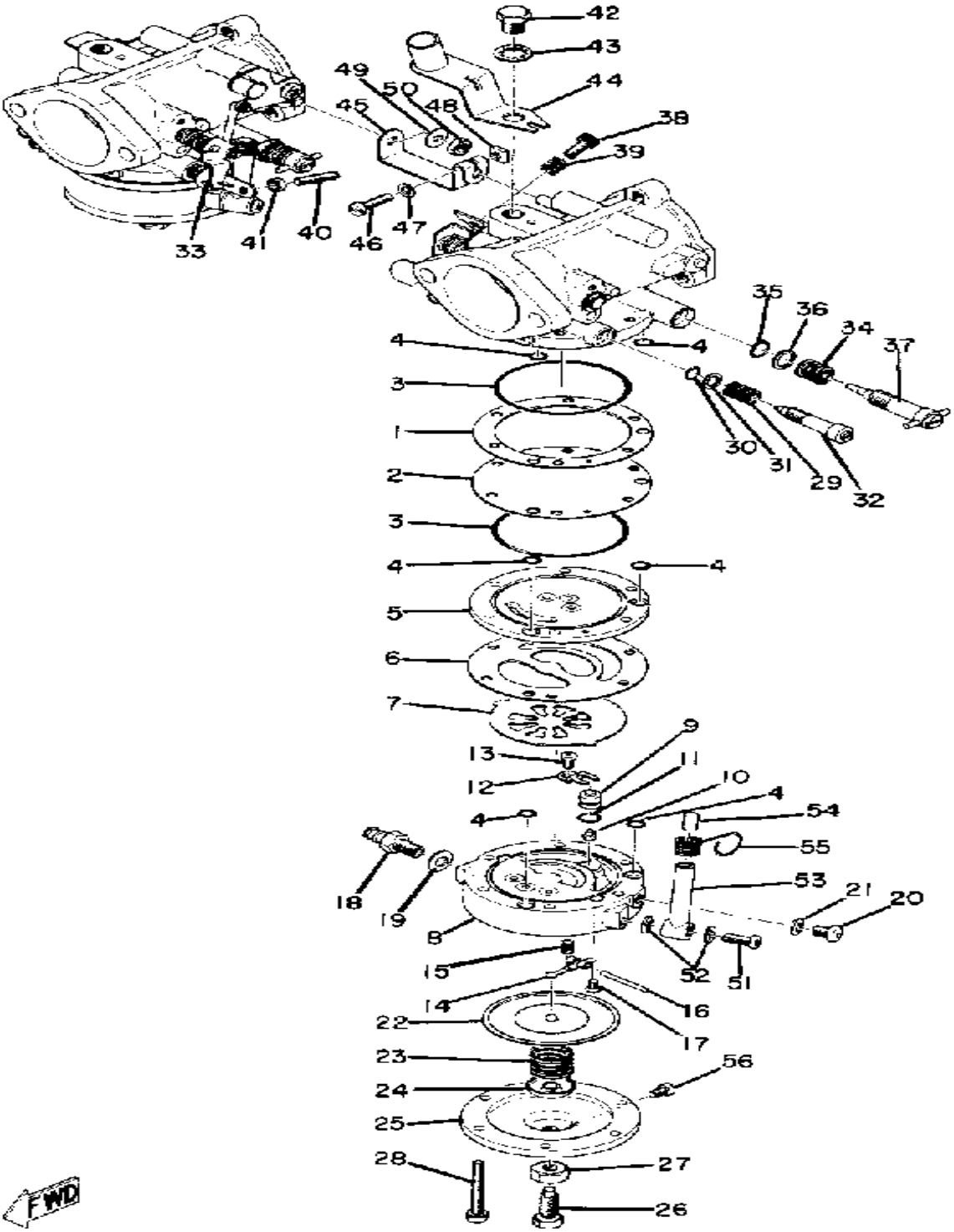
Ref. No.	Part Number	Description	Qty	Remarks
30	824-14563-00-00	. O-RING	2	
31	806-14596-00-00	. WASHER	2	
32	824-14522-00-00	. SCREW, ADJUST	1	
33	828-14522-00-00	. SCREW, ADJUST	1	
34	824-14533-00-00	SPRING, MAIN AJUSTER	2	
35	824-14564-00-00	. O-RING	2	
36	824-14597-00-00	. WASHER	2	
37	828-14521-00-00	. SCREW, MAIN ADJUSTER ..	2	
38	806-14523-00-00	. SCREW, STOP	1	
39	806-14533-00-00	. SPRING MAIN ADJUSTER ...	1	
40	813-14591-00-00	. SCREW, STOP	1	
41	806-14594-00-00	. NUT	1	
42	97301-08010-00	. BOLT, HEXAGON	1	
43	92901-08300-00	WASHER, TOOTH	1	
44	828-14571-00-00	. BRACKET, THROTTLE	1	
45	806-14588-00-00	. CONNECTOR	1	
46	98503-04014-00	. SCREW, PAN HEAD	1	
47	92990-04200-00	. WASHER, PLAIN	1	
48	806-14595-00-00	NUT	1	
49	806-14598-00-00	. WASHER, LOCK (806-14593-00)	1	
50	95380-05600-00	. NUT	1	
51	8A1-14592-00-00	. SCREW	2	
52	806-14559-00-00	. WASHER	4	
53	810-14197-02-00	. PIPE, AIRVENT	2	
54	810-24462-01-00	. CAP, BLIND	2	
55	824-14159-00-00	. CLIP, PIPE	2	
56	98511-04006-00	. SCREW, PAN HEAD (98501-04005)	2	

SEE
NOTEALTERNATE
PARTS

CONTINUED ON NEXT FRAME ➤

Property of www.SmallEngineDiscount.com - Not for Resale

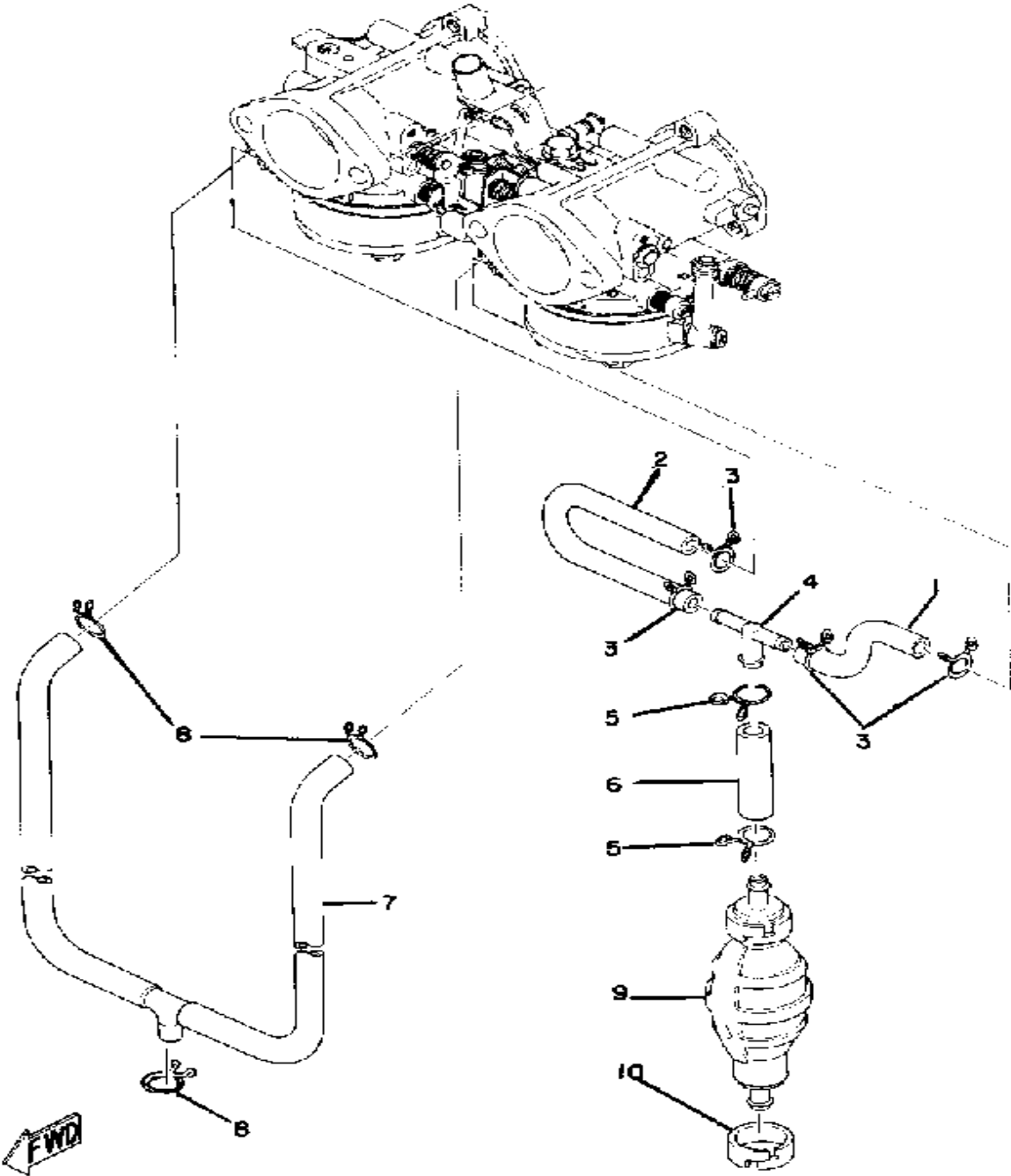
CARBURETOR



Ref. No.	Part Number	Description	Qty	Remarks
-1	828-14501-00-00	CARBURETOR ASS"Y LEFT	1	
-2	828-14502-00-00	CARBURETOR ASS"Y RIGHT	1	

Property of www.SmallEngineDiscount.com - Not for Resale

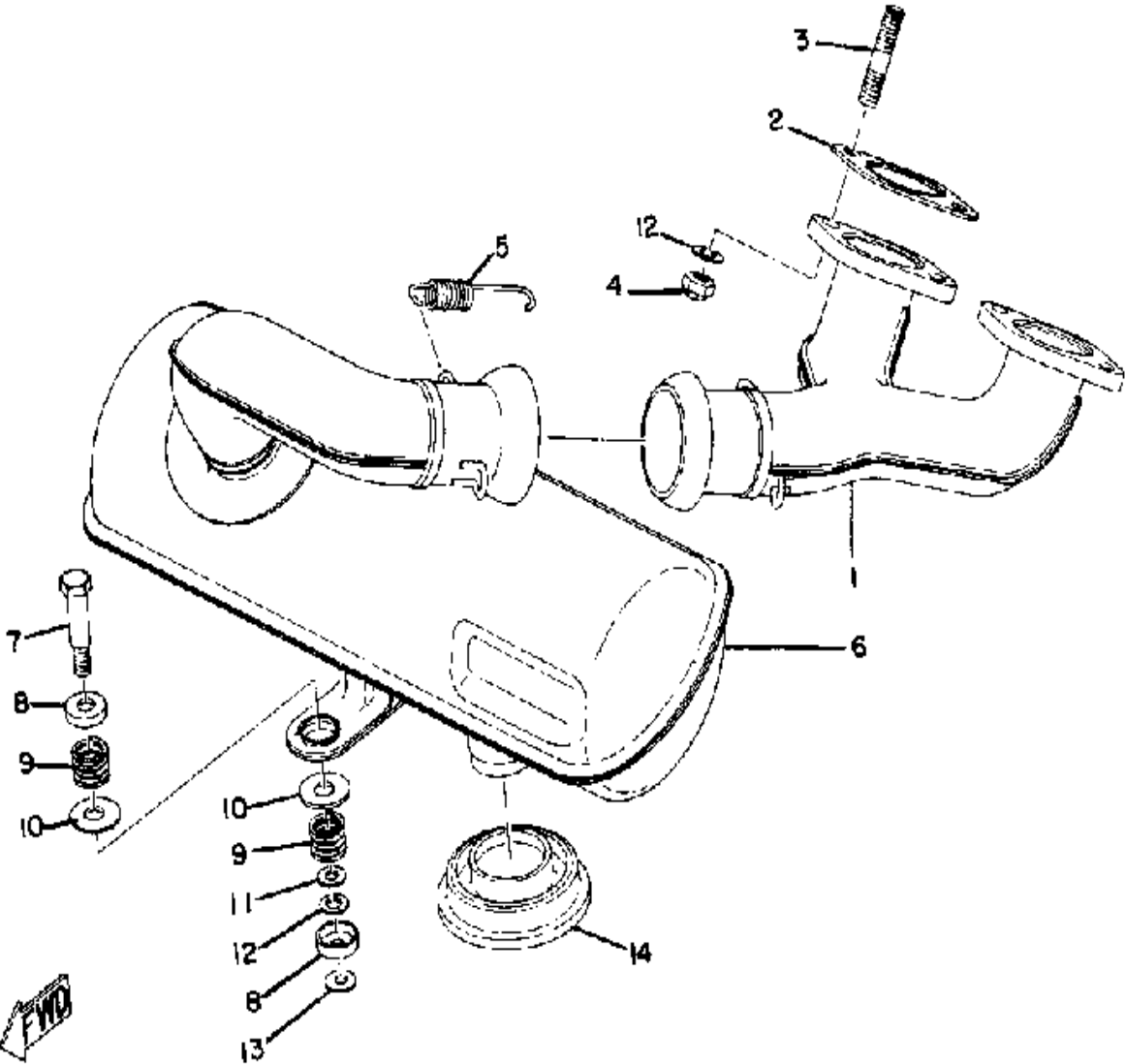
PIPING



Ref. No.	Part Number	Description	Qty	Remarks
1	813-24313-00-00	PIPE 3 (5-86)	1	
2	807-24317-00-00	PIPE 7	1	
3	90467-09005-00	CLIP, SCISSOR	4	
4	807-24376-00-00	PIPE, JOINT 1	1	
5	90467-11009-00	CLIP	2	
6	90446-11018-00	HOSE	1	
7	828-24315-00-00	PIPE 5	1	
8	90467-09006-00	CLIP	3	
9	810-24360-00-00	PRIMER PUMP ASSEMBLY	1	
10	601-24353-00-00	BAND, FUEL PIPE 3	2	

Property of www.SmallEngineDiscount.com - Not for Resale

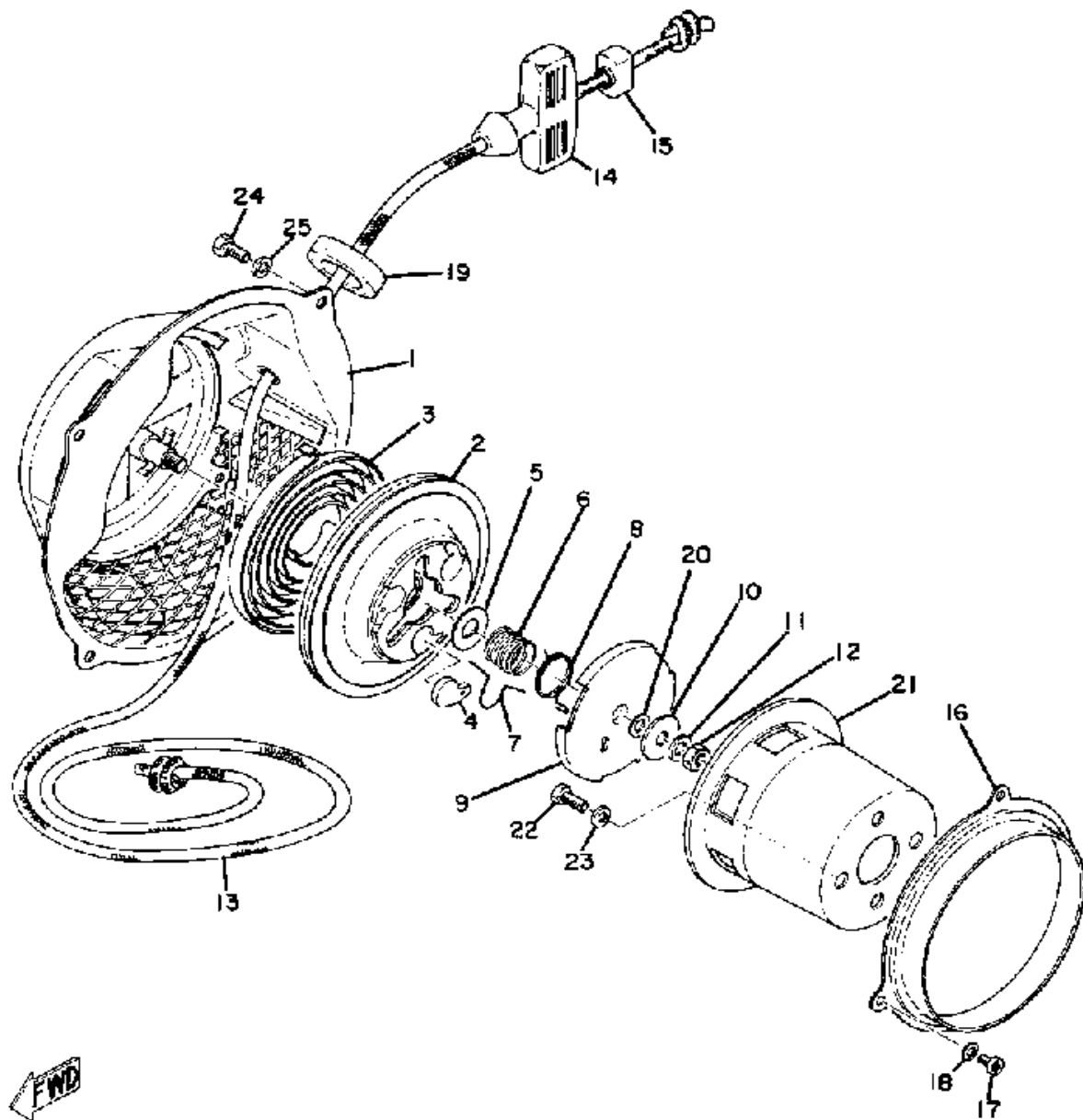
EXHAUST



Ref. No.	Part Number	Description	Qty	Remarks
1	828-14610-00-00	EXHAUST PIPE ASS'Y	1	
2	821-14613-01-00	GASKET, EXHAUST PIPE	2	
3	90116-08044-00	STUD, EXHAUST PIPE HOLD (821-14661-00)	4	
4	95611-08100-00	NUT, U	4	
5	821-14773-00-00	SPRING, MUFFLER	1	
6	828-14710-00-00	MUFFLER ASS'Y	1	
7	90109-08293-00	BOLT	2	
8	812-14793-00-00	PLATE, SPRING	4	
9	90501-18115-00	SPRING, MUFFLER (812-14773-00)	4	
10	90201-10437-00	WASHER, PLATE	4	
11	90560-08065-00	SPACER, (812-14763-00)	2	
12	92990-08100-00	WASHER	6	
13	90201-07080-00	WASHER (812-14759-00)	2	
14	823-14718-00-00	PROTECTOR, MUFF 1	1	

Property of www.SmallEngineDiscount.com - Not for Resale

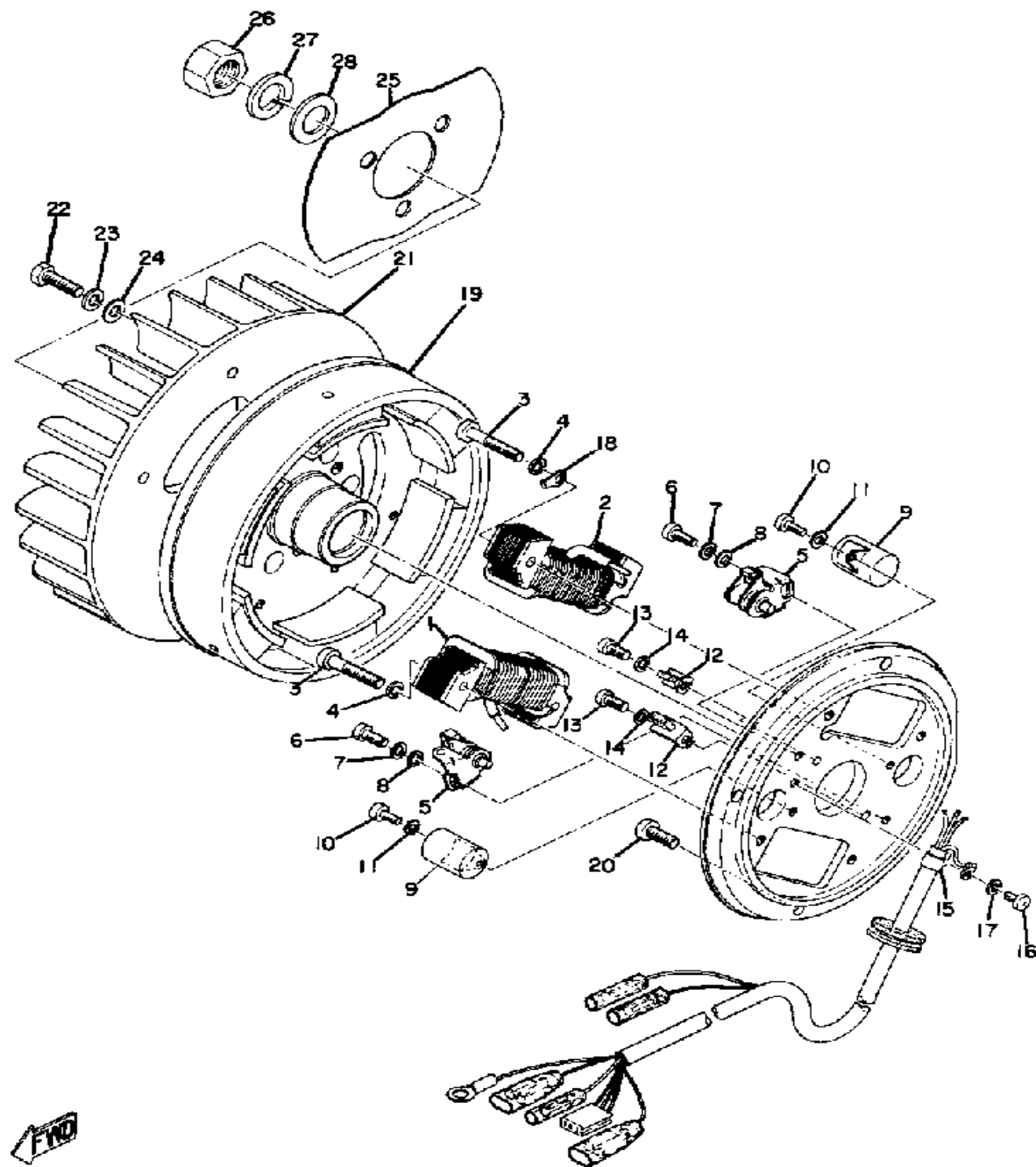
STARTER



Ref. No.	Part Number	Description	Qty	Remarks
1	821-15711-00-00	. CASE, STARTER	1	
2	811-15714-00-00	. DRUM, SHEAVE	1	
3	8Y0-15713-00-00	. SPRING, STARTER	1	
4	616-15741-01-00	. PAWL, DRIVE	3	
5	802-15726-00-00	. WASHER, THRUST	1	
6	626-15715-01-00	. SPRING, DRIVE PLATE (807-15715-00)	1	
7	811-15784-00-00	. SPRING, RETURN	3	
8	811-15734-00-00	. SPRING, RETURN	1	
9	811-15716-00-00	. PLATE, DRIVE	1	
10	807-15726-01-00	. WASHER, FLAT	1	
11	92990-08100-00	. WASHER	1	
12	95303-08700-00	. NUT	1	
13	807-15751-00-00	. ROPE	1	
14	807-15755-00-00	. HANDLE, STARTER	1	
15	619-15756-00-00	. CONNECTOR 1	1	
16	811-15782-00-00	. COVER, SHEAVE	1	
17	98580-05010-00	. SCREW, PAN HEAD	3	
18	92990-05100-00	. WASHER, SPRING	3	
19	811-15775-00-00	. KNOB, STOPPER RING	1	
20	811-15722-00-00	. SHIM, DRIVE PLATE (8.0-11.5-0.6)	1	
21	811-15723-00-00	PULLEY, STARTER	1	
22	97313-08018-00	BOLT, HEXAGON (97301-08016)	3	
23	92990-08100-00	WASHER	3	
24	97016-06016-00	BOLT	4	
25	92906-06100-00	WASHER, SPRING	4	
-1	821-15710-00-00	STARTER ASS'Y	1	

Property of www.SmallEngineDiscount.com - Not for Resale

FLYWHEEL MAGNETO

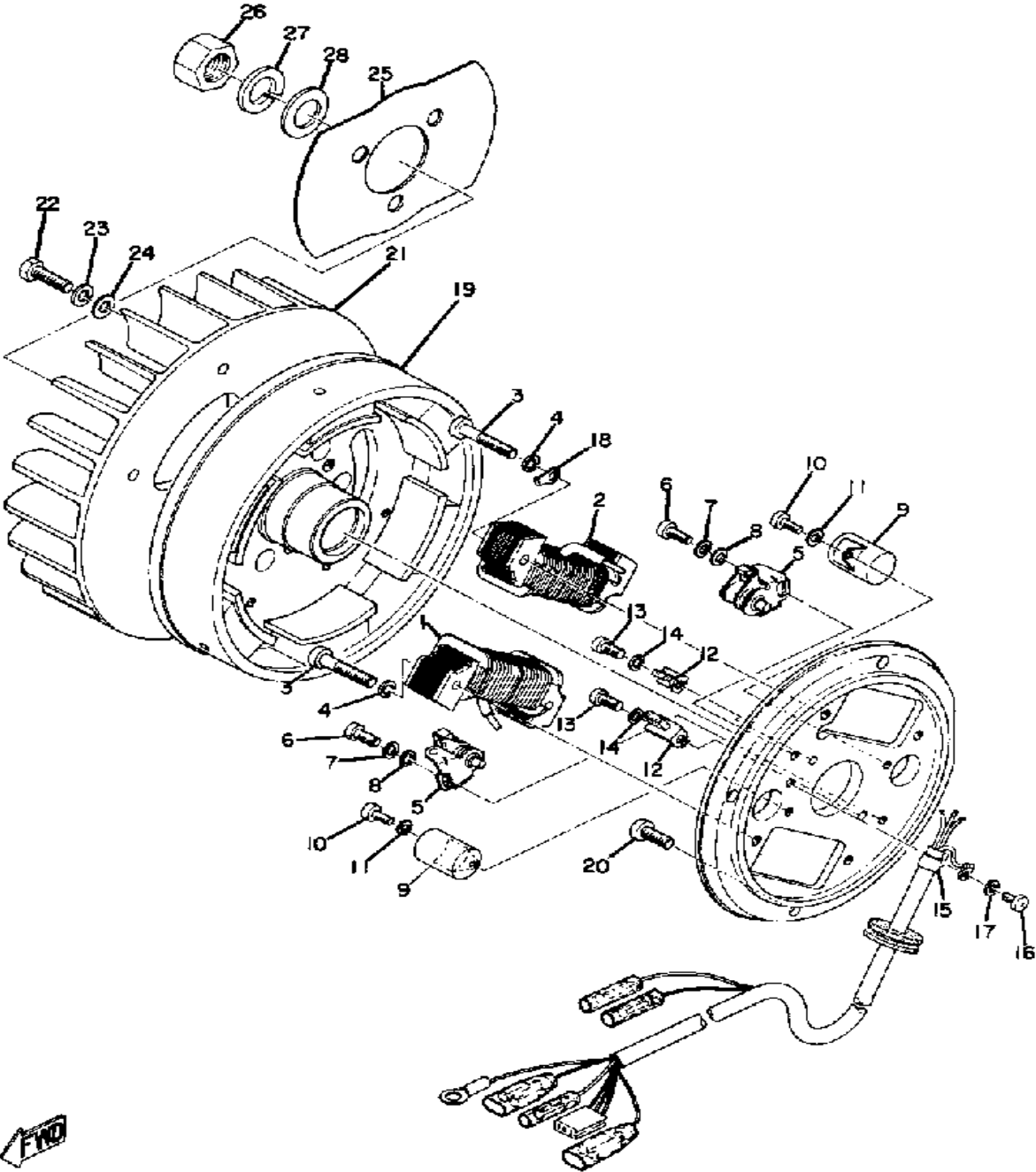


Ref. No.	Part Number	Description	Qty	Remarks
1	810-81321-22-00	. COIL, SOURCE	1	
2	810-81313-20-00	. COIL, LIGHTING 1	1	
3	98501-05030-00	. SCREW, PAN HEAD	4	
4	92903-05100-00	. WASHER, SPRING	4	
5	806-81321-20-00	. CONTACT BRKR ASSEMBLY	2	
6	110-81347-21-00	. SCREW, PAN HEAD (4-12) (110-81347-20)	2	
7	92901-04100-00	. WASHER, SPRING	2	
8	92901-04200-00	. WASHER, PLAIN	2	
9	802-81325-20-00	. CONDENSOR	2	
10	110-81346-21-00	. SCREW, PAN HEAD	2	
11	92901-04100-00	. WASHER, SPRING	2	
12	120-81331-20-00	. LUBRICATOR	2	
13	110-81346-21-00	. SCREW, PAN HEAD	2	
14	92901-04100-00	. WASHER, SPRING	2	
15	104-81328-20-00	. CLAMP	1	
16	165-81145-21-00	. SCREW, PAN HEAD (4-8) ...	1	
17	92901-04100-00	. WASHER, SPRING	1	
18	810-81332-20-00	. PLATE, TIMING	1	
19	821-81350-20-00	. ROTOR	1	
20	92503-06015-00	SCREW, pan head (92502-06016)	4	
21	818-12611-00-00	FAN	1	
22	90101-06006-00	BOLT (807-12615-00)	8	
23	92903-06100-00	WASHER, SPRING	8	
24	90201-06052-00	WASHER, PLATE	8	
25	821-81362-00-00	COVER, HOLE	1	
26	90170-16182-00	NUT	1	
27	92901-16100-00	WASHER, SPRING	1	

CONTINUED ON NEXT FRAME ►

Property of www.SmallEngineDiscount.com - Not for Resale

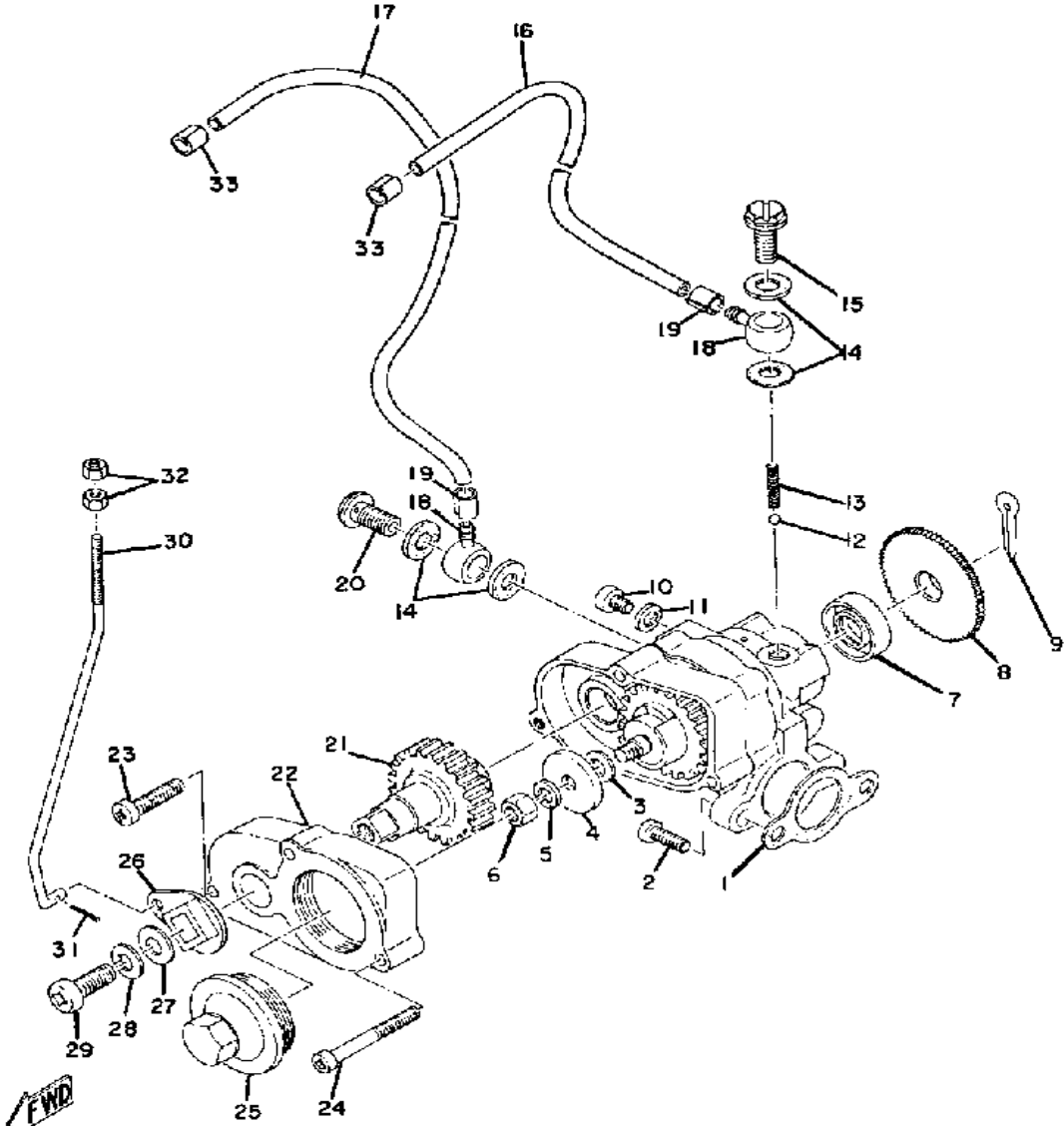
FLYWHEEL MAGNETO



Ref. No.	Part Number	Description	Qty	Remarks
28	90201-16247-00	WASHER, PLATE (807-11557-00)	1	
-1	821-81300-20-00	FLYWHEEL MAGNETO ASS'Y	1	

Property of www.SmallEngineDiscount.com - Not for Resale

OIL PUMP



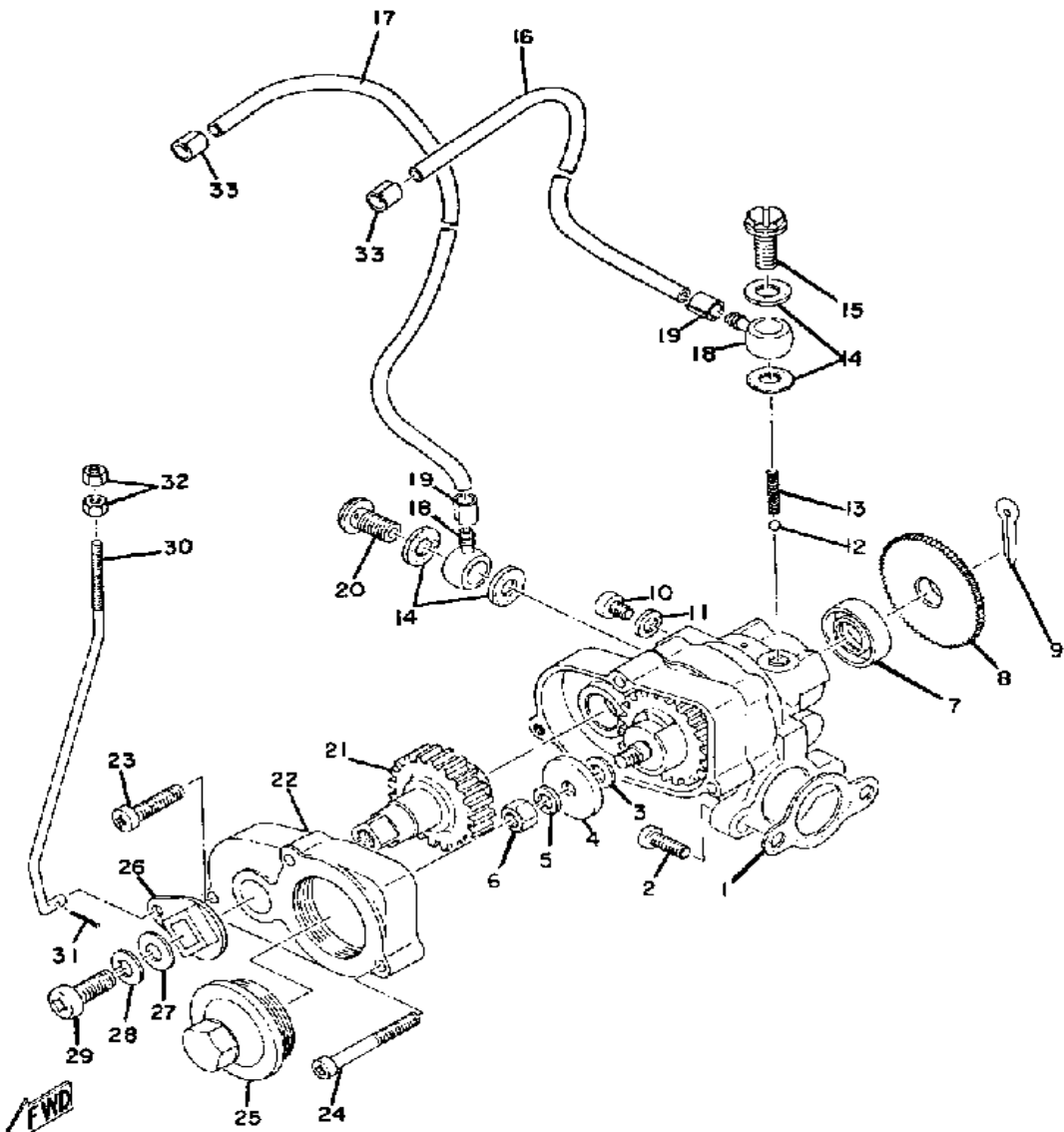
LUBRICATION SYSTEM		Gear-driven Automatic Oil Injection
CR. PUMP PLUNGER STROKE (Min./Max. mm)	.20 - .25mm	2.05 - 2.27mm
PUMP OUTPUT PER CYL. - 200 STROKES (Min./Max.)	.85-1.29cc (Idle)	4.15-8.9cc (Full Throttle)
CONTROL ROD ADJUSTMENT	Full throttle	
PUMP COLOR CODE (Paint Mark on Body)	Yellow	

Ref. No.	Part Number	Description	Qty	Remarks
1	126-13116-00-00	GASKET, PUMP CASE	1	
2	98503-05015-00	SCREW, PAN HEAD	2	
3	137-13137-00-00	. SHIM, PLUNGER	1	
4	137-13138-01-00	. PLATE, ADJUSTING	1	
5	92903-05100-00	. WASHER, SPRING	1	
6	95301-05600-00	. NUT	1	
7	93101-10001-00	. OIL SEAL	1	
8	137-13128-00-00	. PLATE, STARTER	1	
9	91401-12018-00	. PIN, COTTER	1	
10	98901-04008-00	. SCREW, BIND	1	
11	90430-04004-00	. GASKET	1	
12	93505-32002-00	. BALL	2	
13	90501-02017-00	. SPRING, CHECK BALL	2	
14	90430-06011-00	. GASKET	4	
15	90401-06001-00	. BOLT, UNION	1	
16	90445-05020-00	. HOSE (3-90) (807-13161-01)	1	
17	90445-05025-00	. PIPE, DELIVERY RIGHT (3-150) (807-13187-01)	1	
18	214-13162-01-00	. BANJO, DLVRY PIPE	2	
19	90468-02033-00	. CLIP	2	
20	90401-06001-00	. BOLT, UNION	1	
21	821-13154-00-00	GEAR, PUMP CONTROL	1	
22	821-13146-00-00	COVER, ADJUST PULLEY	1	
23	98501-04035-00	SCREW, PAN HEAD	2	
24	98051-04020-00	SCREW, PAN HEAD	1	
25	807-13143-00-00	CAP, PUMP	1	
26	821-13156-00-00	LEVER, PUMP CONTROL	1	
27	92903-06200-00	WASHER, PLAIN	1	
28	92501-06100-00	WASHER, SPRING	1	

CONTINUED ON NEXT FRAME ➤

Property of www.SmallEngineDiscount.com - Not for Resale

OIL PUMP

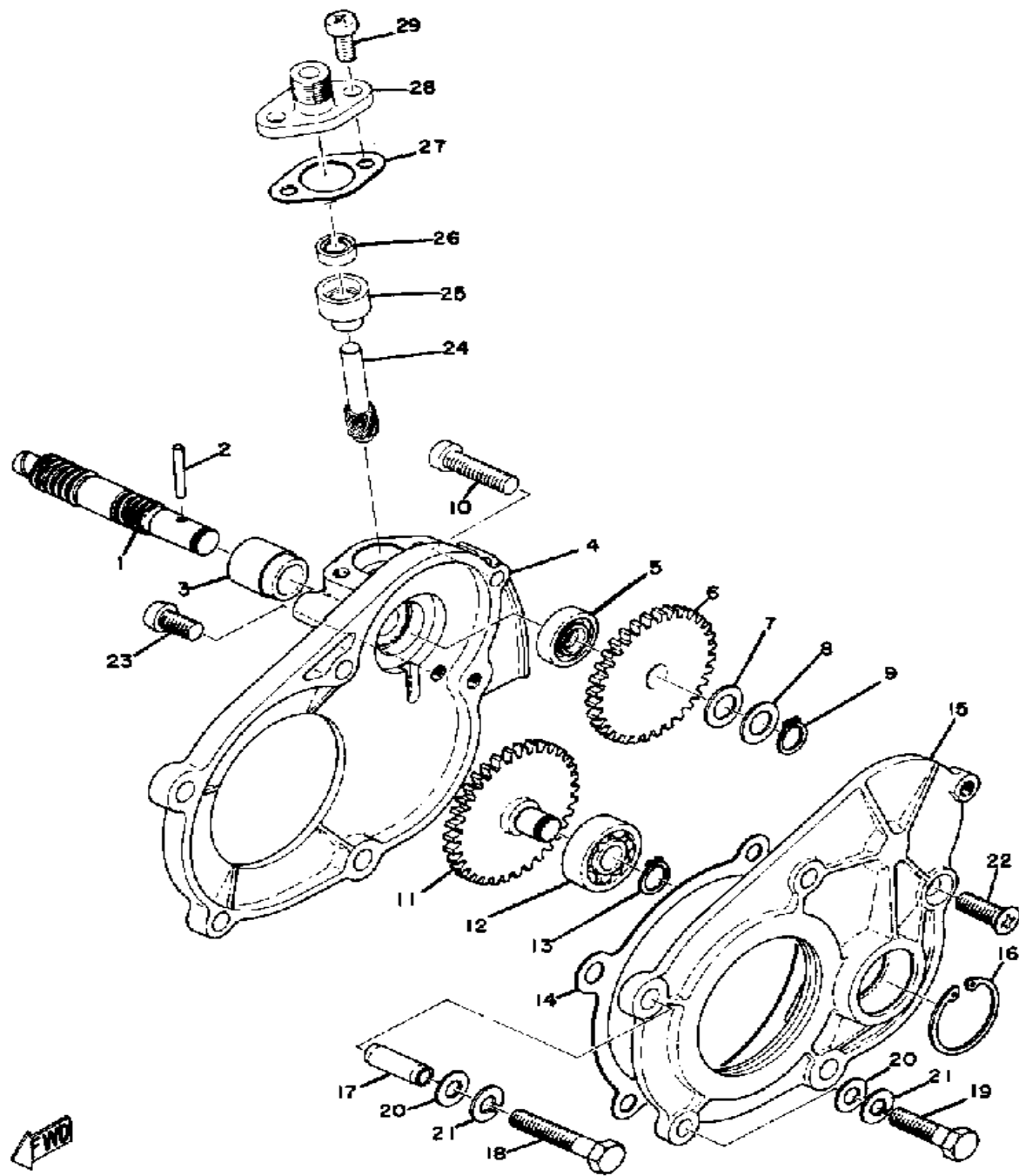


Ref. No.	Part Number	Description	Qty	Remarks
29	92503-06015-00	SCREW, pan head (92502-06016)	1	
30	807-13157-00-00	ROD, PUMP CONTROL	1	
	828-13157-00-00	ROD, PUMP CONTROL	1	
31	91401-12010-00	PIN, COTTER	1	
32	90170-09008-00	NUT (807-13139-00)	2	
33	90468-02033-00	CLIP	2	
-1	828-13101-00-00	OIL PUMP ASS'Y	1	

LUBRICATION SYSTEM	
CR. PUMP PLUNGER STROKE (Min./Max. mm)	Gear-driven Automatic Oil Injection 20 - 25mm 2.05 - 2.27mm
PUMP OUTPUT PER CYL. - 200 STROKES (Min./Max.)	25-1.29cc (Idle) 4.15-8.9cc (Full Throttle)
CONTROL ROD ADJUSTMENT	Full throttle
PUMP COLOR CODE (Paint Mark on Body)	Yellow

Property of www.SmallEngineDiscount.com - Not for Resale

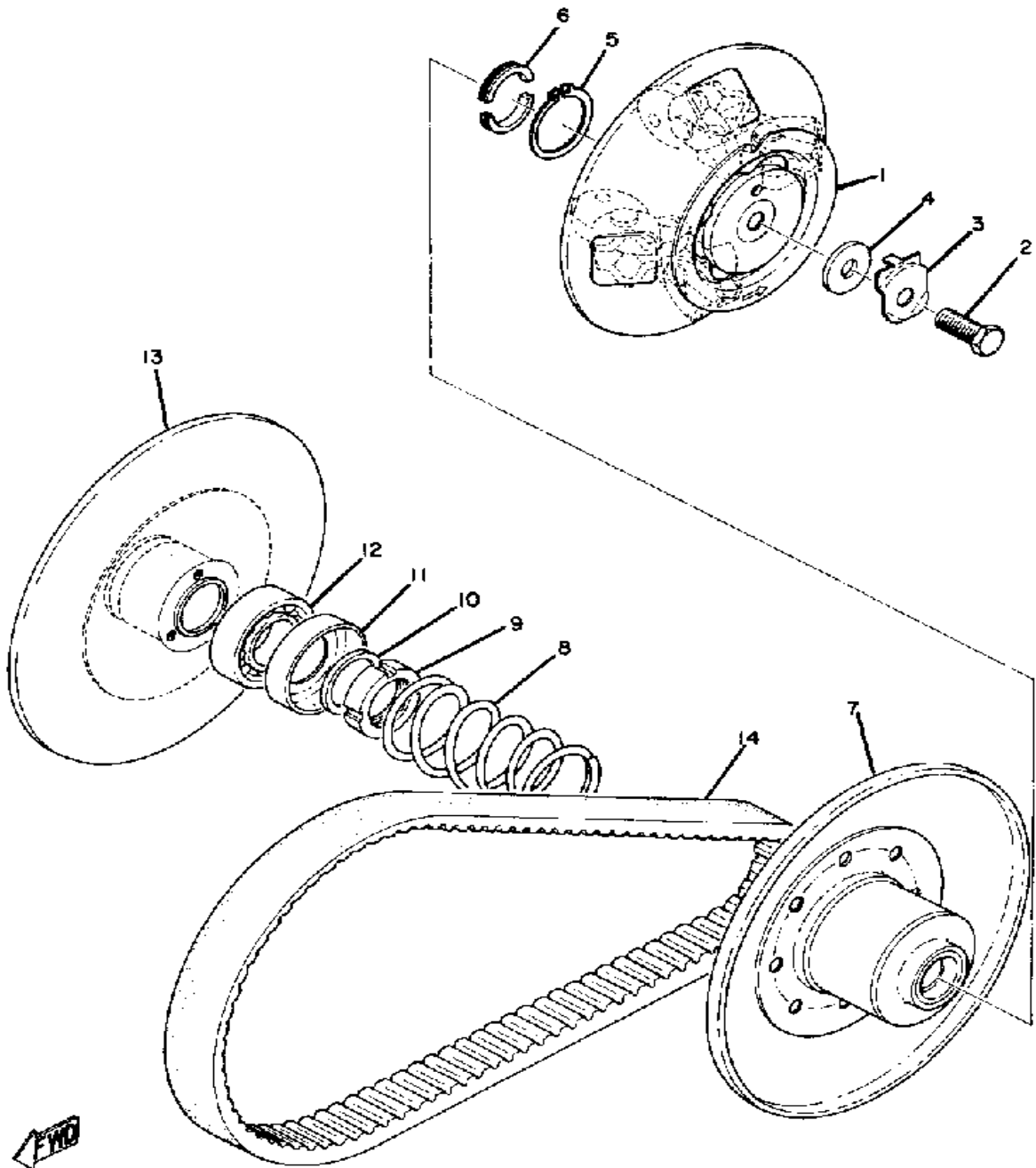
PUMP GEAR UNIT



Ref. No.	Part Number	Description	Qty	Remarks
1	821-13175-00-00	SHAFT, WORM	1	
2	93603-22028-00	PIN, DOWEL	1	
3	821-13176-00-00	METAL, WORM SHAFT OUTER	1	
4	821-15416-01-00	COVER, PUMP DRIVE 1	1	
5	93101-10001-00	OIL SEAL	1	
6	821-13188-00-00	GEAR, DRIVE (32T)	1	
7	90206-11016-00	WASHER, WAVE	1	
8	137-13148-00-00	PLATE, CAM THRUST	1	
9	93410-10025-00	CIRCLIP (S-10)	1	
10	92501-06025-00	SCREW, pan head	1	
11	821-13197-00-00	GEAR, IDLE	1	
12	93306-00002-00	BEARING (B6000RS)	1	
13	93410-10025-00	CIRCLIP (S-10)	1	
14	821-15456-00-00	GASKET, O/PMP CVR 1	1	
15	821-15426-01-00	COVER, PUMP DRIVE 2	1	
16	93420-26024-00	CIRCLIP, R-TYPE (R-26)	1	
17	91810-18022-00	PIN, DOWEL	2	
18	97321-06035-00	BOLT (91102-06035)	2	
19	97321-06025-00	BOLT (91101-06025)	2	
20	92903-06200-00	WASHER, PLAIN	4	
21	92903-06100-00	WASHER, SPRING	4	
22	92701-06015-00	SCREW, FLAT HEAD	1	
23	97301-06012-00	BOLT (91201-06012)	1	
24	813-17841-00-00	GEAR, DRIVEN (10T)	1	
25	821-17843-00-00	BUSH, DRIVEN GEAR OUTER .	1	
26	93104-06033-00	OIL SEAL	1	
27	821-17818-00-00	GASKET	1	
28	821-17819-00-00	CAP, HOUSING	1	
29	98501-05010-00	SCREW, PAN HEAD	2	

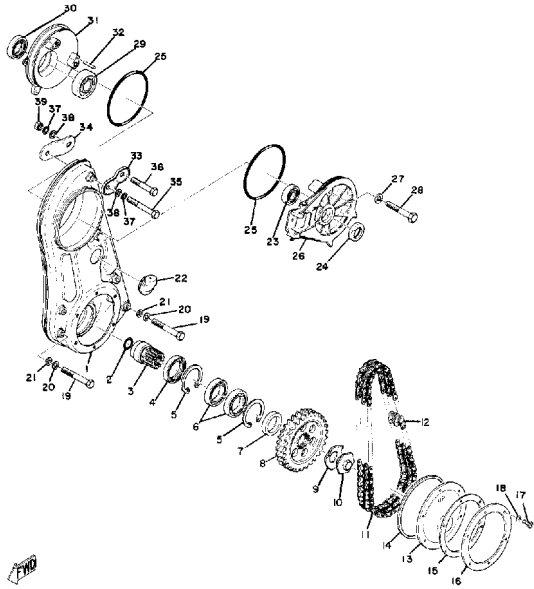
Property of www.SmallEngineDiscount.com - Not for Resale

PRIMARY SHEAVE



Ref. No.	Part Number	Description	Qty	Remarks
1	810-W1762-00-00	PRIMARY SHEAVE CAP COMP. (810-17630-00)	1	
2	90109-10080-00	BOLT (806-17647-00)	1	
3	90215-11080-00	WASHER, LOCK (810-17646-00)	1	
4	90201-10144-00	WASHER, PLATE	1	
5	93410-30012-00	CIRCLIP (S-30)	1	
6	806-17645-00-00	COLLAR	2	
7	810-17620-01-00	PRIMARY SLIDING SHEAVE COMP.	1	
8	90501-45159-00	SPRING, PRIMARY (828-17643-00)	1	
9	90179-28088-00	NUT, BEARING (810-17642-00)	1	
10	90208-28003-00	WASHER, CONICAL SPR	1	
11	806-17644-00-00	SEAT, SPRING	1	
12	93306-20522-00	BEARING (B6205 SPECIAL)	1	
13	821-17610-00-00	PRIMARY FIXED SHEAVE COMP.	1	
14	820-17641-00-00	V-BELT	1	

Property of www.SmallEngineDiscount.com - Not for Resale

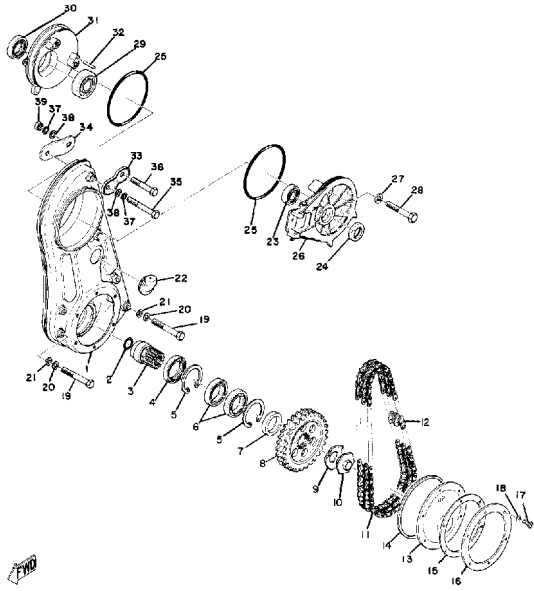


TRACK DRIVE

Ref. No.	Part Number	Description	Qty	Remarks
1	820-47541-00-00	HOUSING, CHAIN	1	
2	93210-25070-00	O-RING	1	
3	810-47571-00-00	JOURNAL	1	
4	93102-40080-00	OIL SEAL, SD-TYPE	1	
5	93420-55028-00	CIRCLIP, R-TYPE	2	
6	93306-90702-00	BEARING	2	
7	90387-32205-00	COLLAR (821-47549-00)	1	
8	802-47548-50-00	SPROCKET, CHN DRVN	1	U.R.
	802-47548-60-00	SPROCKET, CHAIN DRIVEN (23T)	1	
9	821-47582-00-00	SPRING, BELLEVILLE	1	
10	90109-24203-00	BOLT	1	
11	94804-25062-00	CHAIN (DK425-2 62L)	1	
	94804-25064-00	CHAIN (DK425-2 64L)	1	U.R.
12	94904-25001-00	. JOINT CHAIN	11	
13	821-47543-00-00	CAP, HOUSING	1	
14	806-47558-00-00	RING, RUBBER HOUSING	1	
15	821-47544-00-00	GASKET	1	
16	821-47591-00-00	PLATE	12	
17	90143-05004-00	SCREW, HEXAGON	6	
18	90210-05005-00	WASHER, SEAL	6	
19	97321-08070-00	BOLT (97201-08070)	4	
20	92903-08100-00	WASHER, SPRING	4	
21	92903-08200-00	WASHER, PLAIN	4	
22	810-47559-00-00	CAP 2	1	
23	93306-00302-00	BEARING (B6003C3)	1	
24	93102-22087-00	OIL SEAL	1	
25	93211-13109-00	O-RING	2	
26	818-47561-00-00	HOUSING, SECONDARY SHAFT LEFT	1	

CONTINUED ON NEXT FRAME ►

Property of www.SmallEngineDiscount.com - Not for Resale

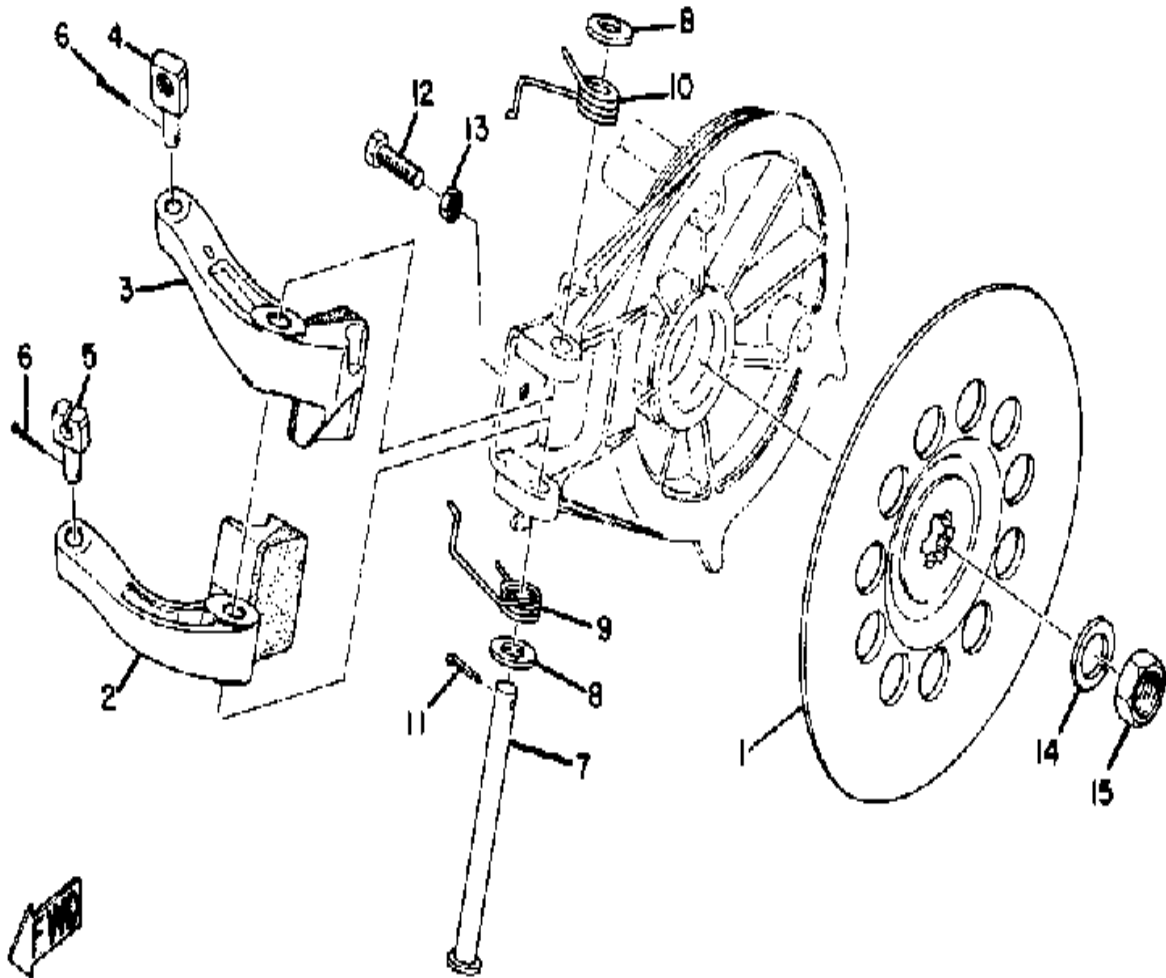


TRACK DRIVE

Ref. No.	Part Number	Description	Qty	Remarks
27	90210-08002-00	WASHER, SEAL	2	
28	97321-08060-00	BOLT (97201-08060)	2	
29	93306-30407-00	BEARING (B6304C3)	1	
30	93102-30083-00	SEAL, OIL	1	
31	810-47562-00-00	HOUSING, SEC SHAFT	1	
32	93604-18058-00	PIN, DOWEL	2	
33	820-47565-00-00	STA 1	1	
34	820-47566-00-00	STAY 2	1	
35	97321-08070-00	BOLT (97201-08070)	1	
36	97313-08050-00	BOLT, HEXAGON (90101-08125)	1	
37	92903-08100-00	WASHER, SPRING	2	
38	92903-08200-00	WASHER, PLAIN	2	
39	95301-08600-00	NUT	1	

Property of www.SmallEngineDiscount.com - Not for Resale

BRAKE

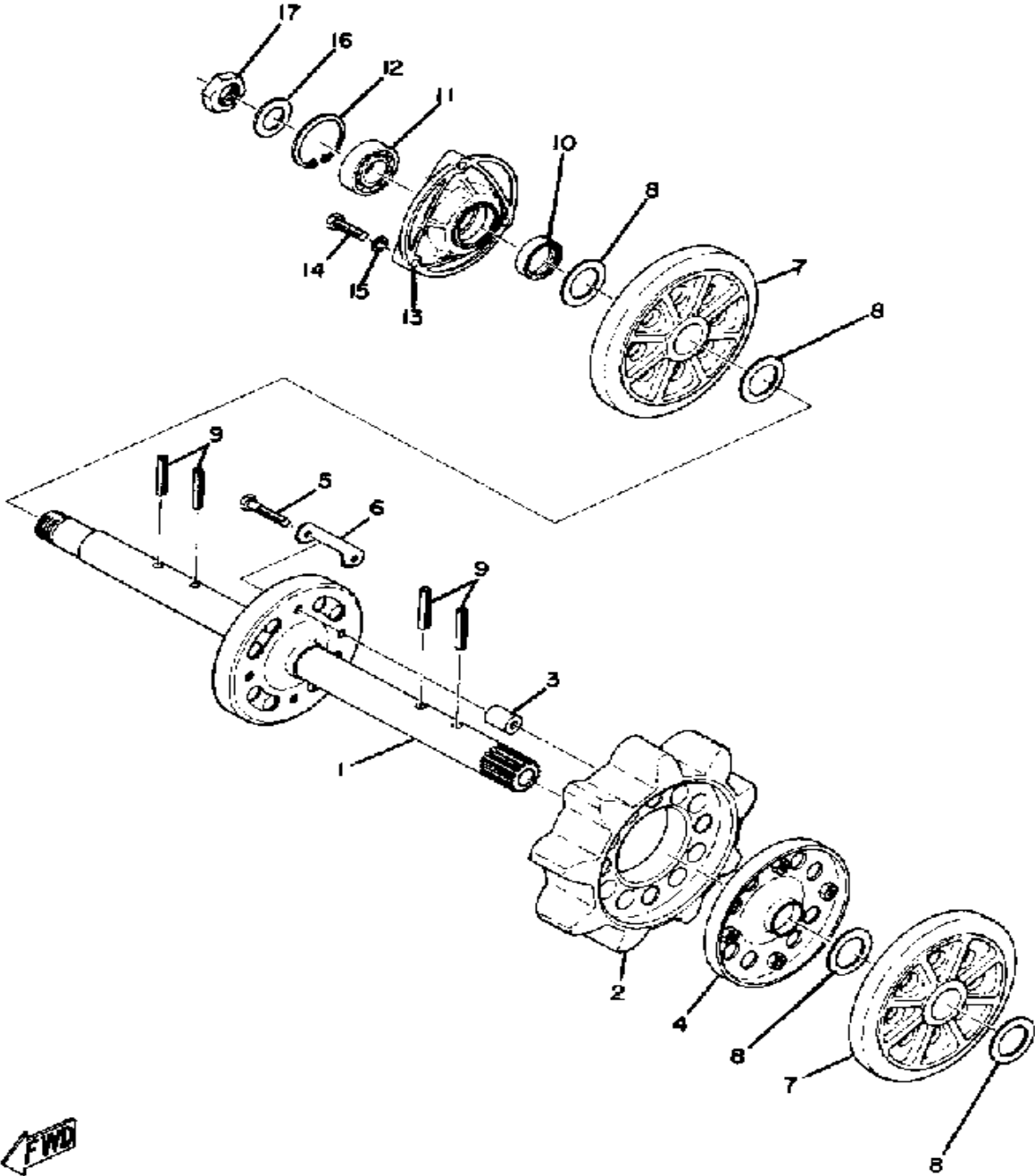


Ref. No.	Part Number	Description	Qty	Remarks
1	810-25711-00-00	DISC, BRAKE	1	
2	821-25730-00-00	CALIPER BODY 1	1	
3	821-25740-00-00	CALIPER BODY 2	1	
4	90249-06012-00	PIN	1	
5	90249-06009-00	PIN	1	
6	91401-20015-00	PIN, COTTER	2	
7	90240-08022-00	PIN 3 (810-25754-00)	1	
8	92903-08200-00	WASHER, PLAIN	2	
9	810-25735-00-00	SPRING, RETURN 1	1	
10	810-25745-00-00	NO LONGER AVAILABLE	1	
11	91401-20015-00	PIN, COTTER	1	
12	97301-05020-00	BOLT (97202-05020)	1	
13	95301-05700-00	NUT (95302-05700)	1	
14	92901-12100-00	WASHER, SPRING	1	
15	95301-12700-00	NUT (95302-12700)	1	

Property of www.SmallEngineDiscount.com - Not for Resale

B10

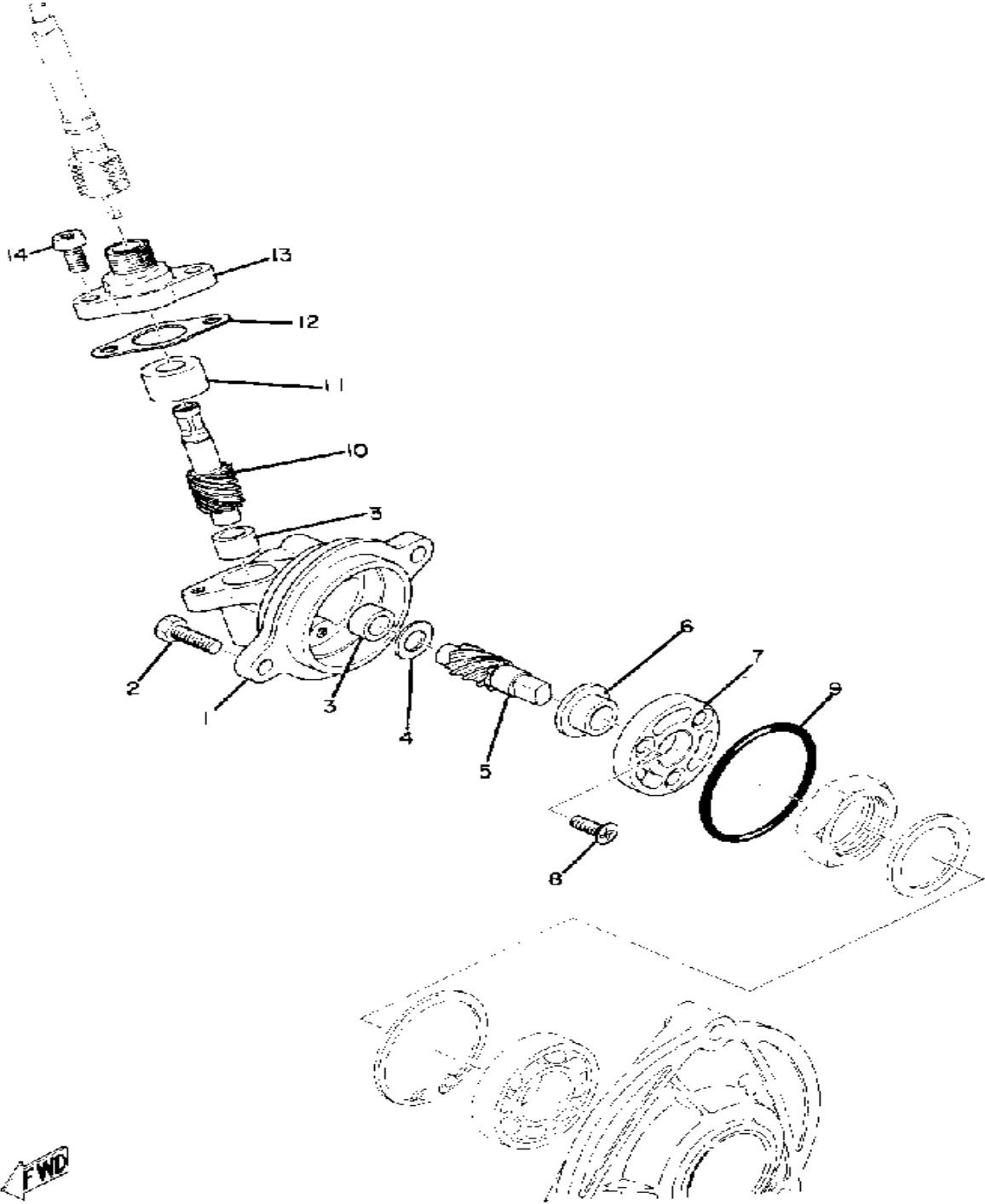
FRONT AXLE



Ref. No.	Part Number	Description	Qty	Remarks
1	810-47531-00-00	WHEEL, SPROCKET 1	1	
	821-47510-00-00	FRONT AXLE	1	
3	90387-06021-00	COLLAR (810-47526-00)	4	
4	810-47522-00-00	RIM, SPROCKET WHEEL 2	1	
5	97321-06035-00	BOLT (91102-06035)	4	
6	90215-06100-00	WASHER, LOCK	2	
7	810-47530-00-00	GUIDE WHEEL	2	
8	90201-25499-00	WASHER, PLATE	4	
9	91609-60036-00	PIN, SPRING	4	
10	93102-25084-00	OIL SEAL, SD-TYPE	1	
11	93306-00412-00	BEARING	1	
12	93420-44029-00	CIRCLIP, R-TYPE	1	
13	810-47551-00-00	HOUSING, FRONT AXLE	1	
14	97321-06025-00	BOLT (91101-06025)	3	
15	92903-06100-00	WASHER, SPRING	3	
16	90208-22001-00	WASHER, CONICAL SPRING	1	
17	90170-22094-00	NUT	1	

Property of www.SmallEngineDiscount.com - Not for Resale

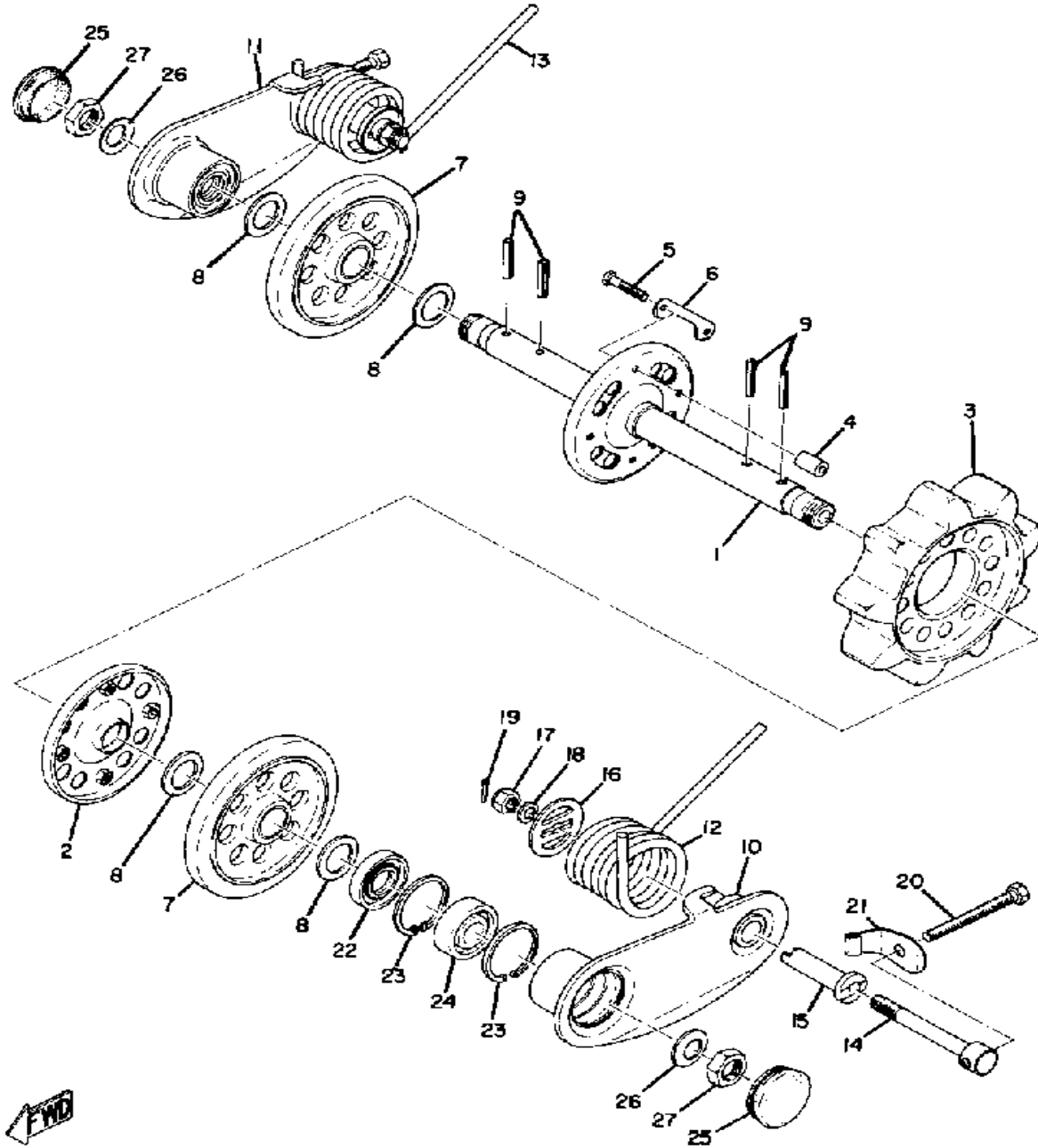
SPEEDOMETER GEAR UNIT



Ref. No.	Part Number	Description	Qty	Remarks
1	8E6-47711-10-00	HOUSING	1	
2	97301-06016-00	BOLT (97301-06015)	2	
3	90380-08002-00	BUSHING (810-47714-10)	2	
4	810-47717-10-00	SHIM	1	
5	810-47731-10-00	GEAR, DRIVE	1	
6	90381-10003-00	BUSH, SOLID	1	
7	853-47712-10-00	JOURNAL	1	
8	98701-04012-00	SCREW, FLAT HEAD	3	
9	93210-43141-00	O-RING	1	
10	810-47741-10-00	GEAR, DRIVEN	1	
11	810-47723-10-00	BUSHING	1	
12	810-47727-10-00	GASKET	1	
13	8E3-47721-10-00	COVER, HOUSING	1	
14	98503-05012-00	SCREW, PAN HEAD	2	

Property of www.SmallEngineDiscount.com - Not for Resale

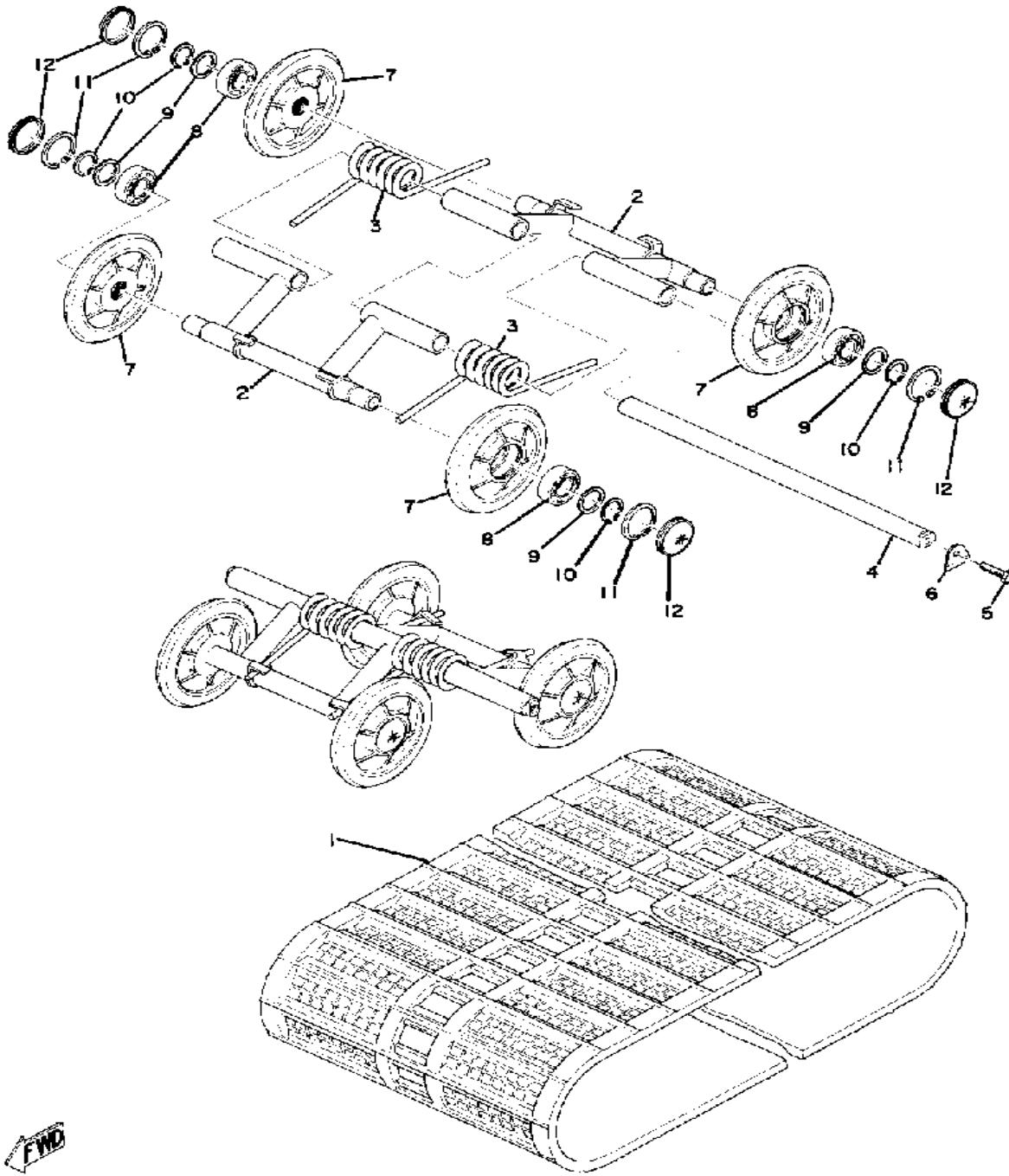
REAR AXLE



Ref. No.	Part Number	Description	Qty	Remarks
1	821-47520-00-00	REAR AXLE	1	
2	810-47522-00-00	RIM, SPROCKET WHEEL 2	1	
3	810-47532-00-00	WHEEL, SPROCKET 2	1	
4	90387-06021-00	COLLAR (810-47526-00)	4	
5	97321-06035-00	BOLT (91102-06035)	4	
6	90215-06100-00	WASHER, LOCK	2	
7	810-47530-00-00	GUIDE WHEEL	2	
8	90201-25499-00	WASHER, PLATE	4	
9	91609-60036-00	PIN, SPRING	4	
10	810-47361-00-00	ARM, PIVOT REAR LEFT	1	
11	810-47362-00-00	ARM, REAR PIVOT 2	1	
12	90508-72114-00	SPRING, TORSION	1	
13	90508-72084-00	SPRING, TORSION (812-47364-00)	1	
14	90149-08022-00	SCREW, SPEC'L SHAPE	2	
15	810-47369-00-00	COLLAR	2	
16	90209-08067-00	WASHER, SPEC'L SHAP	2	
17	90185-08054-00	NUT, SELF-LOCKING (619-42546-00)	2	
18	92903-08200-00	WASHER, PLAIN	2	
19	91401-30025-00	PIN, COTTER	2	
20	90106-08050-00	BOLT, DOME HEAD (841-47373-00)	2	
21	90215-08069-00	WASHER, LOCK	2	
22	93102-25081-00	OIL SEAL	2	
23	93420-44029-00	CIRCLIP, R-TYPE	4	
24	93306-00412-00	BEARING	2	
25	810-47552-00-00	CAP	2	
26	90208-22001-00	WASHER, CONICAL SPRING	2	
27	90170-22094-00	NUT	2	

Property of www.SmallEngineDiscount.com - Not for Resale

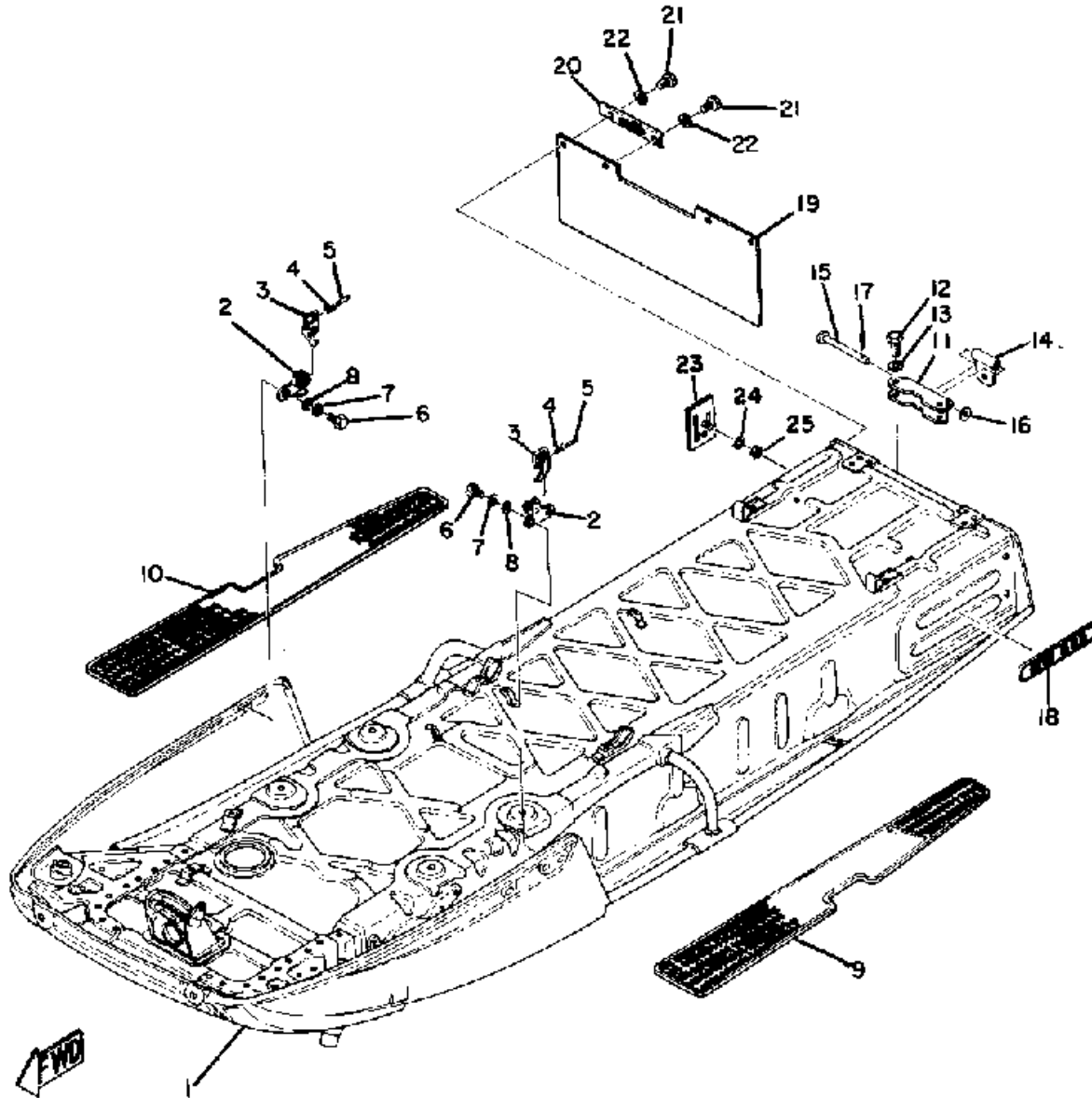
TRACK SUSPENSION WHEEL



Ref. No.	Part Number	Description	Qty	Remarks
1	861-47110-00-00	TRACK ASS'Y (846-47110-01)	1	
2	806-47331-01-00	ARM, PIVOT	6	
3	90508-65089-00	SPRING, TORSION	6	
4	802-47337-00-00	SHAFT, PIVOT	3	
5	97313-08030-00	BOLT, HEXAGON	6	
6	90215-09033-00	WASHER, LOCK (806-47347-00)	6	
7	885-47320-01-00	SUSPENSION WHEEL COMP.	12	
8	93306-00416-00	BEARING (B6004RS)	12	
9	90201-20272-00	WASHER, PLATE	12	
10	93410-20009-00	CIRCLIP (S-20)	12	
11	93420-42007-00	CIRCLIP (R-27)	12	
12	818-47317-01-00	CAP, WHEEL	12	

Property of www.SmallEngineDiscount.com - Not for Resale

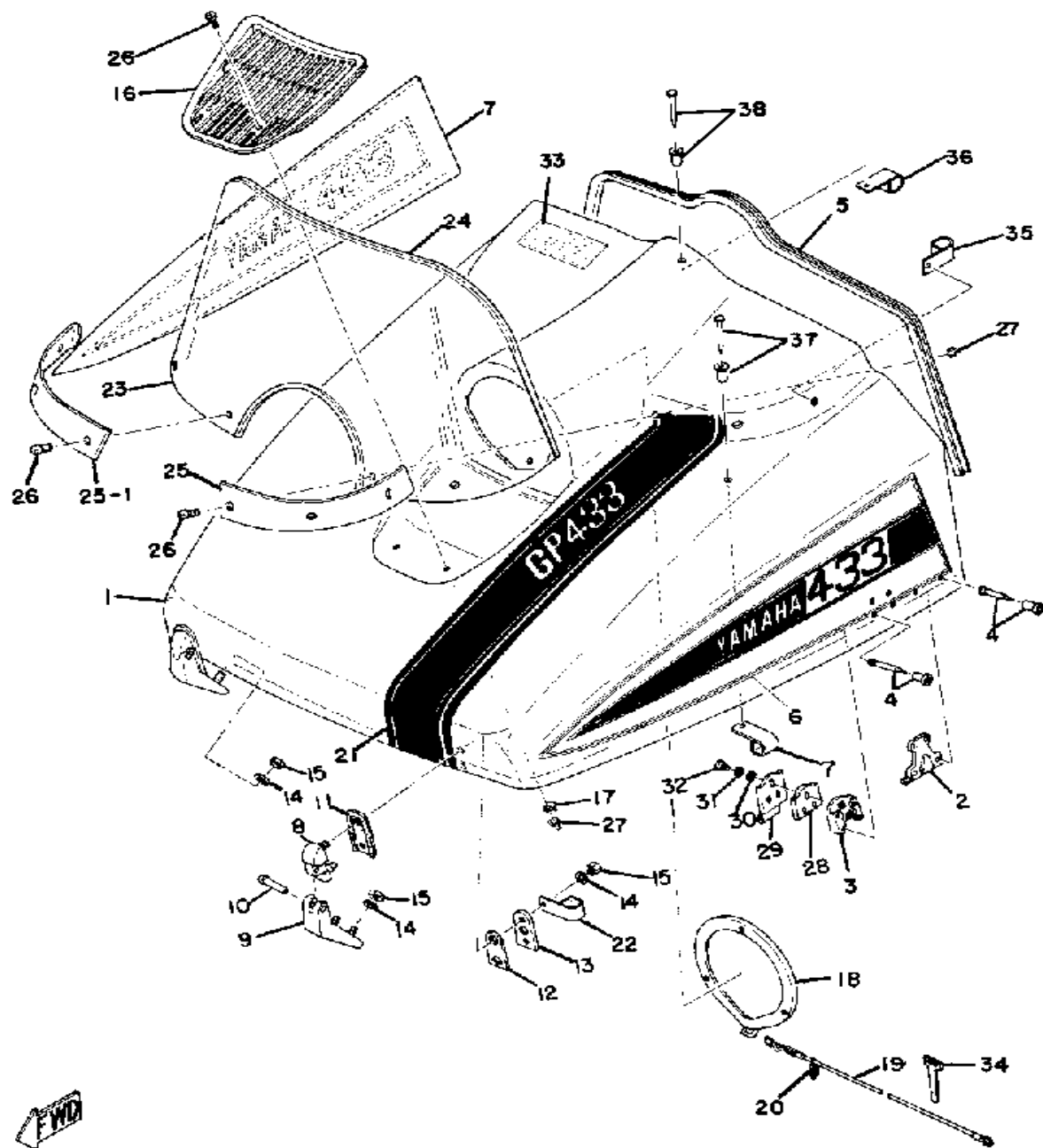
FRAME



Ref. No.	Part Number	Description	Qty	Remarks
1	821-21910-00-00	FRAME COMP.	1	
2	UNA-VAILA-BL-EI 0 0		
3	813-77173-00-00	. LEVER, LATCH	2	
4	90508-10012-00	. SPRING, TORSION	2	
5	90249-04068-00	. PIN, SPECL SHAPE	2	
6	97301-05016-00	BOLT (97301-05015)	4	
7	92903-05100-00	WASHER, SPRING	4	
8	90201-05029-00	WASHER, PLATE	4	
9	806-27413-00-00	COVER, FOOTREST LEFT	1	
10	806-27423-00-00	COVER, FOOTREST RIGHT ...	1	
11	802-77592-00-00	BRACKET, HITCH 2	1	
12	97313-06035-00	BOLT (97323-06035)	2	
13	92903-06100-00	WASHER, SPRING	2	
14	802-77591-00-00	BRACKET, HITCH 1	1	
15	91701-08102-00	PIN, CLEVIS	1	
16	92903-08200-00	WASHER, PLAIN	1	
17	91401-25015-00	PIN, COTTER	1	
18	828-77354-00-00	EMBLEM 4	2	
19	802-77595-02-00	FLAP	1	
20	802-77593-00-00	PLATE, FLAP	2	
21	97301-06016-00	BOLT (97301-06015)	4	
22	92903-06100-00	WASHER, SPRING	4	
23	821-85131-00-00	REFLECTOR	2	
24	92903-06100-00	WASHER, SPRING	2	
25	95303-06600-00	NUT	2	
-1	813-77170-00-00	LATCH ASSEMBLY	2	

Property of www.SmallEngineDiscount.com - Not for Resale

SHROUD

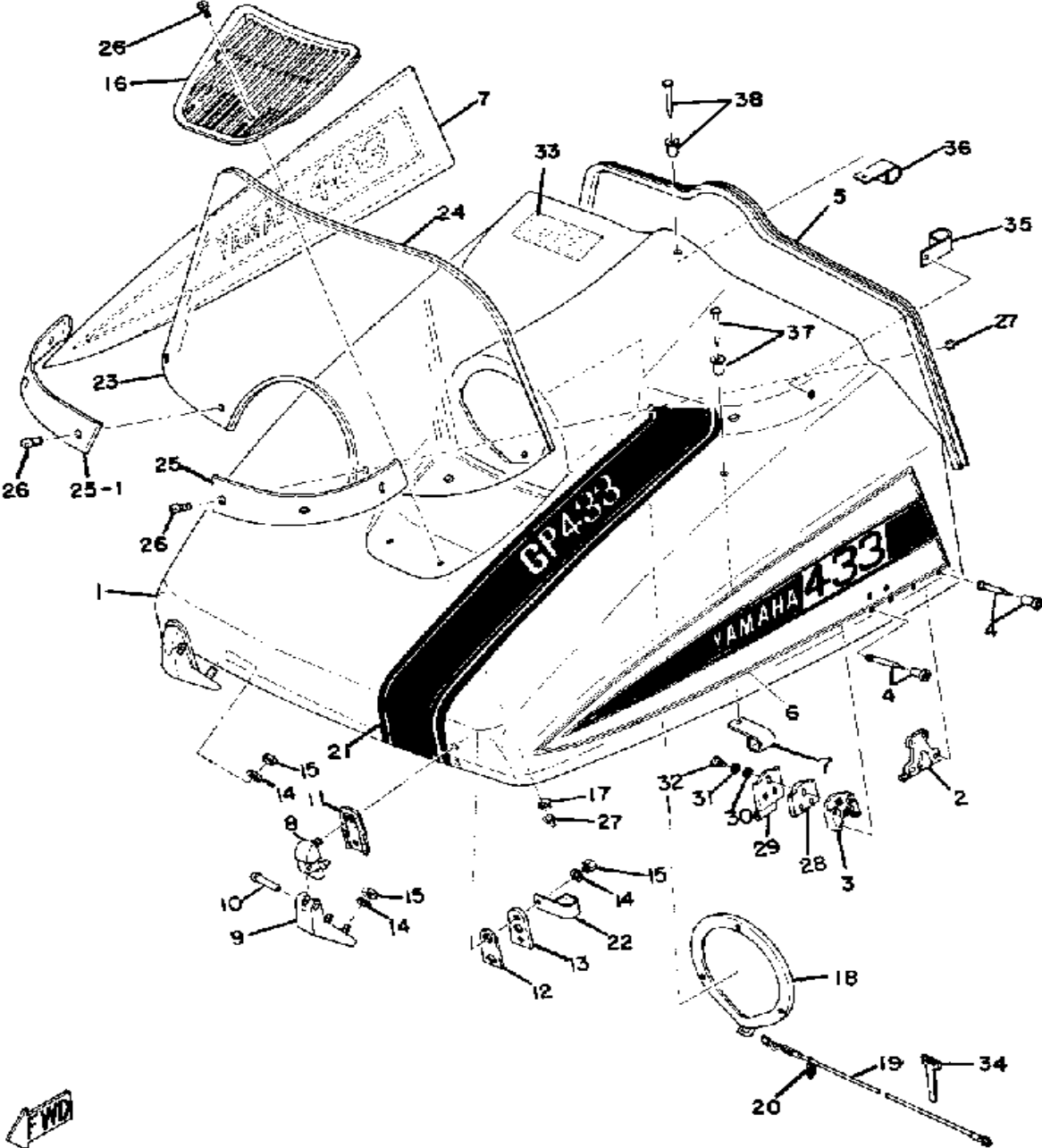


Ref. No.	Part Number	Description	Qty	Remarks
1	806-77111-00-00	SHROUD (806-77110-00)	1	
2	806-77171-00-00	BODY, LATCH 1	2	
3	810-77138-00-00	CLAMP 4	2	
4	90267-40026-00	RIVET, BLIND (806-77175-00)	16	
5	806-77166-00-00	TRIM, SHROUD REAR	1	
6	828-77163-00-00	ORNAMENT, SHROUD LEFT	1	
7	828-77164-00-00	ORNAMENT, SHROUD RIGHT	1	
8	806-77145-00-00	HINGE, UPPER	2	
9	806-77147-00-00	HINGE 3	2	
10	90243-05002-00	PIN (806-77157-00)	2	
11	806-77198-00-00	DAMPER, FRONT	2	
12	806-77199-00-00	DAMPER, REAR	2	
13	810-77153-00-00	PLATE, BACK UP 1	2	
14	92903-06100-00	WASHER, SPRING	8	
15	95303-06600-00	NUT	8	
16	810-77130-00-00	LOUVER COMP.	1	
17	810-77135-00-00	CLAMP	1	
18	817-77139-00-00	HOLDER, ROD UPPER	1	
19	821-77118-00-00	STOPPER, SHROUD	1	
20	806-77159-00-00	. CLAMP, ROD	1	
21	828-77169-00-00	ORNAMENT 3	1	
22	90465-06013-00	CLAMP	1	
23	806-77210-00-00	WINDSHIELD COMP	1	
24	806-77213-00-00	. TRIM, UPPER	1	
25	806-77214-00-00	TRIM, LOWER LEFT	1	
26	98903-05015-00	SCREW, BIND	8	
27	90180-05004-00	NUT, T (802-77217-00)	8	
28	810-77179-00-00	WASHER 2	2	
29	810-77136-00-00	CLAMP 2	2	

CONTINUED ON NEXT FRAME ➤

Property of www.SmallEngineDiscount.com - Not for Resale

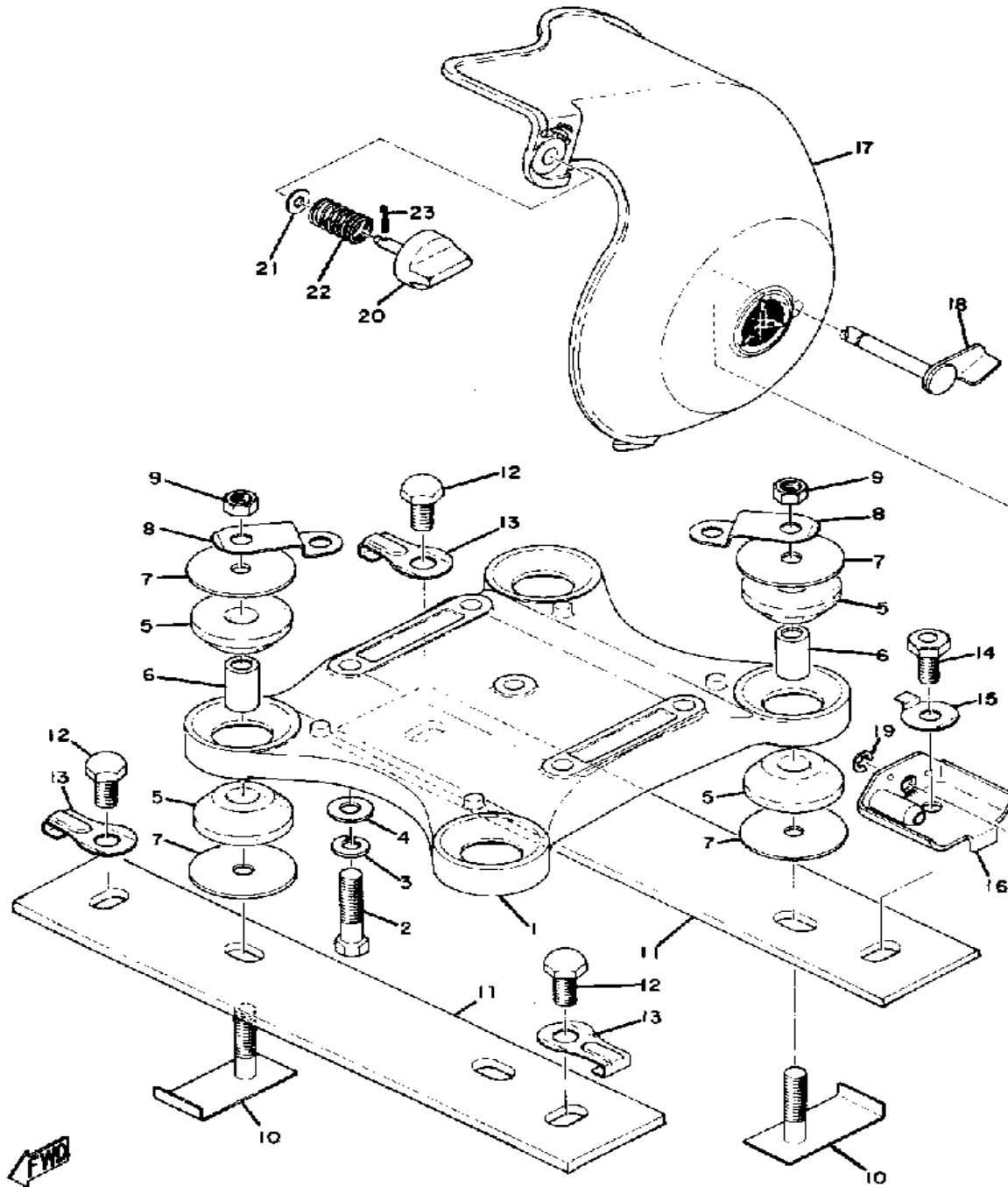
SHROUD



Ref. No.	Part Number	Description	Qty	Remarks
30	90201-05029-00	WASHER, PLATE	6	
31	92903-05100-00	WASHER, SPRING	6	
32	97301-05010-00	BOLT (97201-05010)	6	
33	288-21659-00-00	LABEL, SAFETY	1	
34	810-82593-00-00	BAND	3	
35	90461-05003-00	CLAMP	1	
36	90461-05001-00	CLAMP (813-82594-00)	3	
37	90267-32020-00	RIVET 2 (809-77156-00)	2	
38	90267-32021-00	RIVET 3 (813-77197-00)	1	
24-1	806-77216-00-00	. TRIM, LOWER CENTER	1	
25-1	806-77215-00-00	TRIM 3	1	

Property of www.SmallEngineDiscount.com - Not for Resale

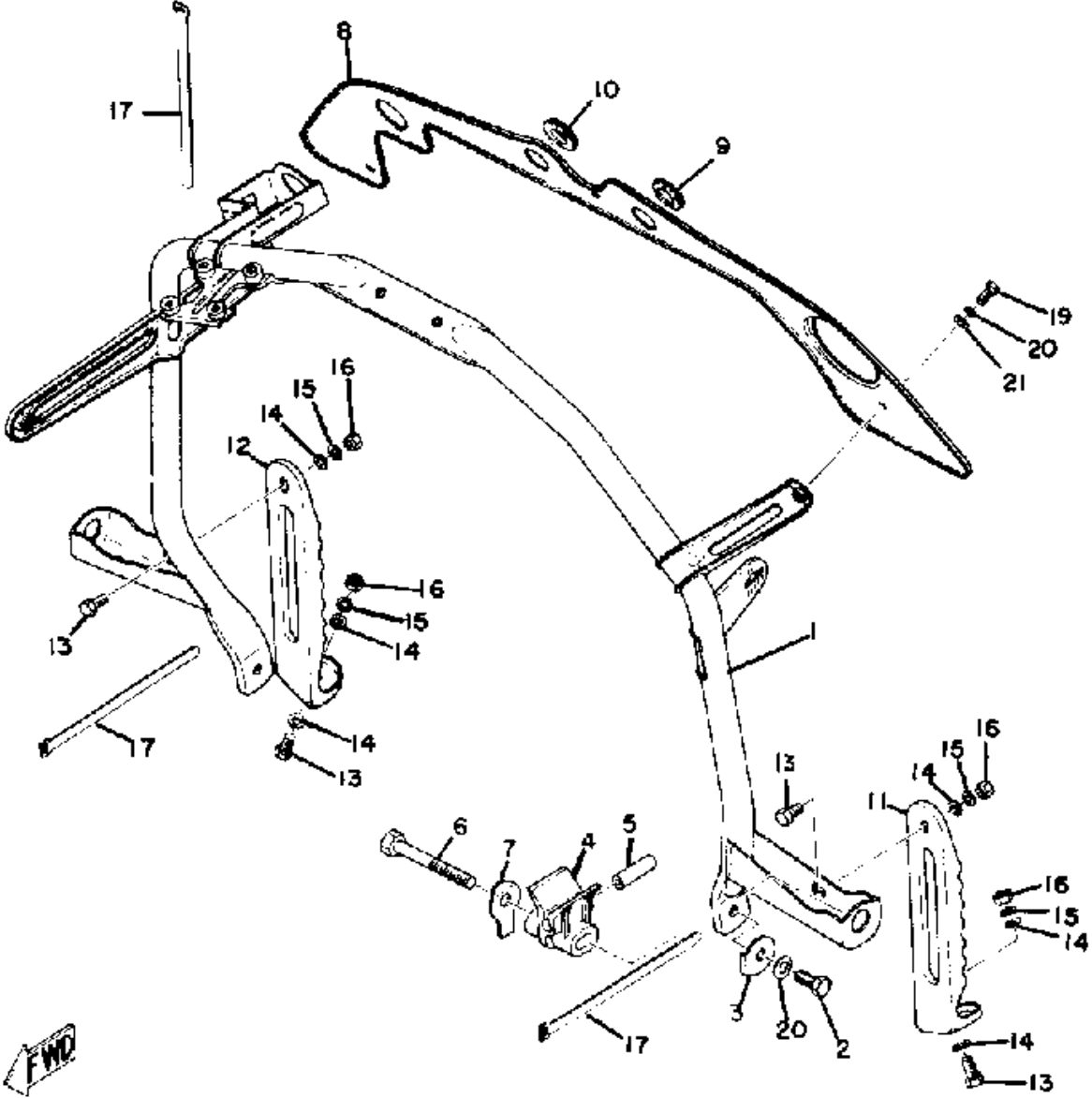
ENGINE BRACKET



Ref. No.	Part Number	Description	Qty	Remarks
1	810-21411-00-00	BRACKET, ENGINE UPPER ...	1	
2	97301-10050-00	BOLT (91201-10050)	4	
3	92903-10100-00	WASHER, SPRING	4	
4	92903-10200-00	WASHER, PLAIN	4	
5	807-15316-00-00	DAMPER, ENG MOUNT 1	8	
6	90560-10020-00	SPACER	4	
7	807-21491-00-00	WASHER 1 (10.5-52-3.2)	8	
8	810-15176-00-00	WASHER, LOCK	4	
9	95301-10700-00	NUT (98801-10300)	4	
10	821-21482-00-00	BOLT, ENG MNTNG 2	4	
11	821-21419-00-00	BRACKET, ENGINE LOWER ..	2	
12	90106-10014-00	BOLT, ENGINE MOUNTING 2 (824-21481-00)	3	
13	90208-10013-00	WASHER, CONICAL SPR	3	
14	90101-10056-00	BOLT (823-21481-00)	1	
15	90208-10012-00	WASHER, CONICAL SPRING ..	1	
16	821-77315-00-00	BRACKET, DRIVE GUARD	1	
17	810-77311-01-00	GUARD, DRIVE (810-77311-00)	1	
18	806-77314-00-00	ARM, FITTING	1	
19	93430-06005-00	CIRCLIP	1	
20	806-77324-00-00	KNOB	1	
21	90201-06063-00	WASHER, PLATE	2	
22	90501-16103-00	SPRING, COMPRESSION	1	
23	91609-25016-00	PIN, SPRING	1	

Property of www.SmallEngineDiscount.com - Not for Resale

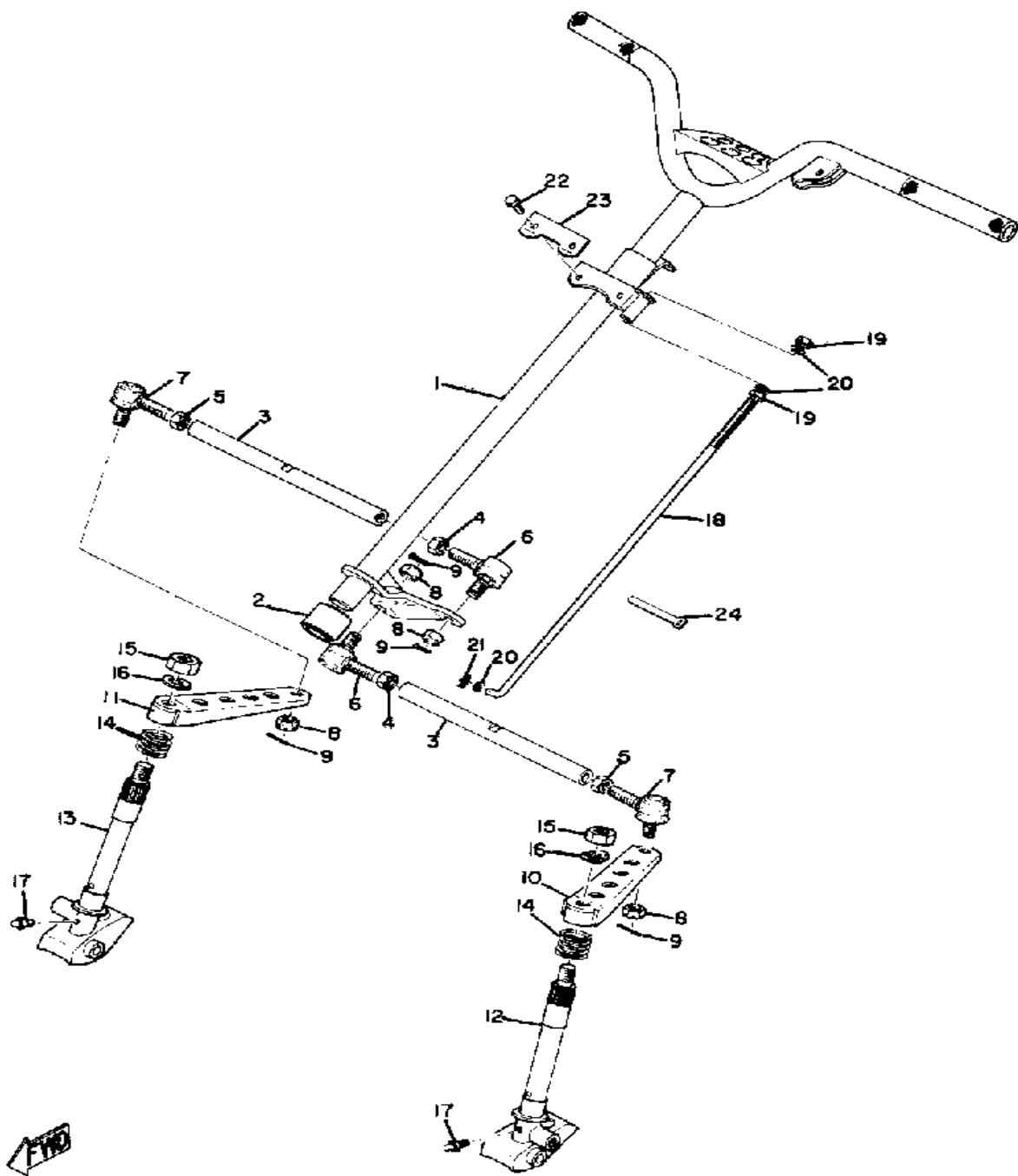
STEERING GATE



Ref. No.	Part Number	Description	Qty	Remarks
1	820-23871-00-00	GATE, STEERING	1	
2	97306-08018-00	BOLT, HEXAGON (97206-08018)	2	
3	90215-08068-00	WASHER, LOCK (90215-08067)	2	
4	90464-09003-00	CL;AMP, LOWER (821-77137-00)	2	
5	821-77188-01-00	STOPPER	2	
6	90101-08039-00	BOLT (810-77537-00)	2	
7	90215-08039-00	WASHER, LOCK (806-77526-00)	2	
8	810-77711-00-00	PANEL, INSTRUMENT	1	
9	810-77716-00-00	ORNAMENT, INSTRUMENT PANEL 2	1	
10	102-82598-00-00	GROMMET, WIRE HARNESS ..	1	
11	810-27411-00-00	NO LONGER AVAILABLE	1	
12	810-27421-00-00	FOOTREST, RIGHT	1	
13	97301-06012-00	BOLT (91201-06012)	4	
14	92903-06200-00	WASHER, PLAIN	6	
15	92903-06100-00	WASHER, SPRING	4	
16	95303-06600-00	NUT	4	
17	90465-05037-00	BAND (810-82591-00)	2	
18	90201-08363-00	WASHER (807-14617-00)	2	
19	97306-05010-00	BOLT (97206-05010)	3	
20	92906-05200-00	WASHER, PLAIN	3	
21	92906-05100-00	WASHER, SPRING	3	

Property of www.SmallEngineDiscount.com - Not for Resale

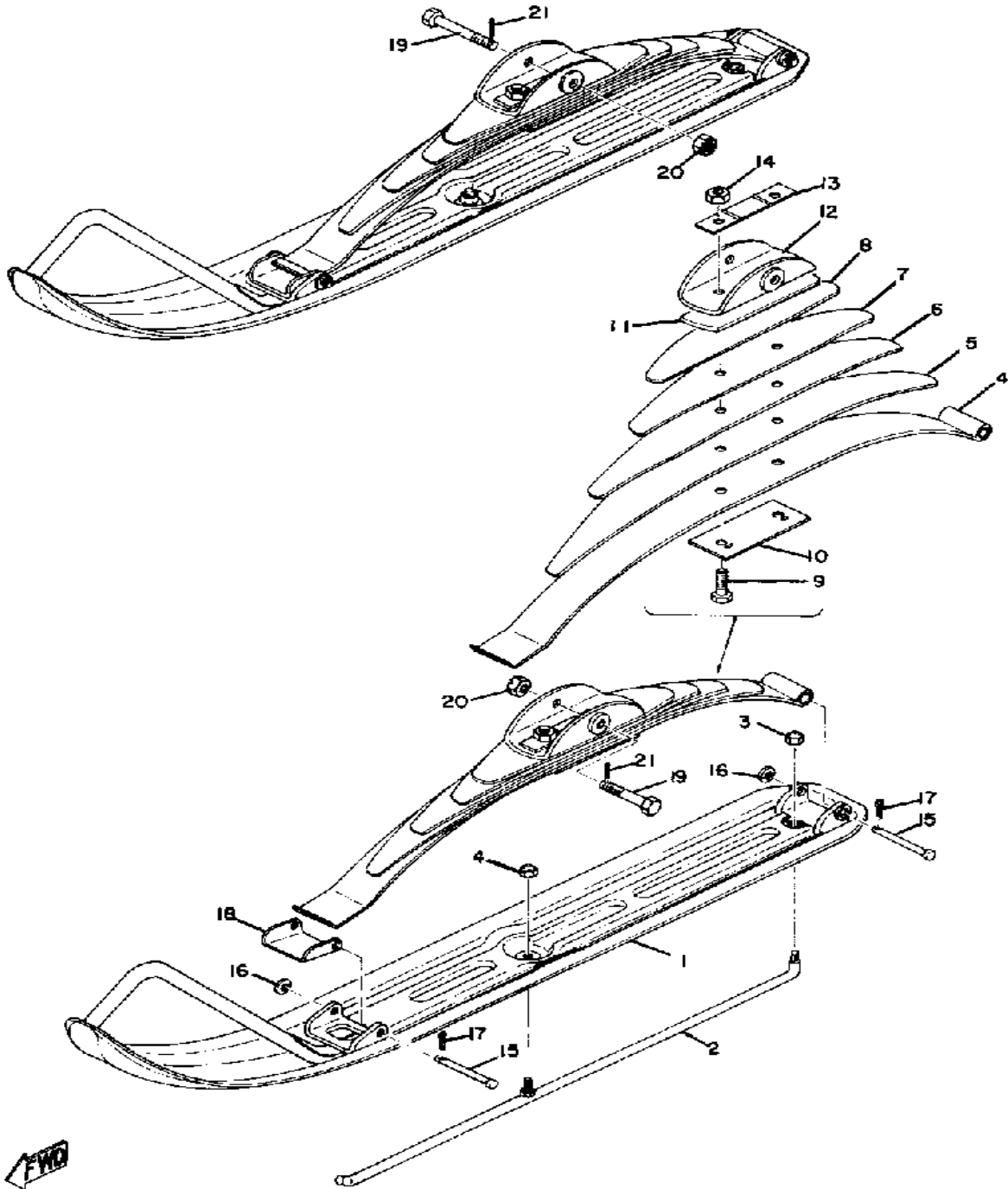
STEERING



Ref. No.	Part Number	Description	Qty	Remarks
1	813-23811-00-00	COLUMN, STEERING	1	
2	806-23875-00-00	BEARING, STEERING LOWER	1	
3	821-23821-00-00	ROD, STEERING RELAY	2	
4	90170-12055-00	NUT	2	
5	90170-12054-00	NUT	2	
6	821-23841-90-00	JOINT, UNIVERSAL 1	2	
7	821-23845-90-00	JOINT, UNIVERSAL 2	2	
8	90171-10002-00	NUT, CASTLE	4	
9	91401-25025-00	PIN, COTTER	4	
10	810-23851-00-00	ARM, OUTSIDE	1	
11	810-23851-00-00	ARM, OUTSIDE	1	
12	810-23853-00-00	COLUMN, SKI 1	1	
13	810-23854-00-00	COLUMN, SKI 2	1	
14	90501-35154-00	SPRING, COMPRESSION	2	
15	95306-12600-00	NUT	2	
16	90215-12031-00	WASHER, LOCK (810-23857-00)	2	
17	93700-06004-00	NIPPLE, GREASE	2	
18	813-23861-00-00	BAR, TENSION	1	
19	95306-06700-00	NUT, (98806-06300)	2	
20	92906-06200-00	WASHER	3	
21	90468-10050-00	CLIP	1	
22	97326-06020-00	BOLT (91106-06020)	2	
23	810-23894-00-00	NO LONGER AVAILABLE	1	
24	810-82593-00-00	BAND	2	

Property of www.SmallEngineDiscount.com - Not for Resale

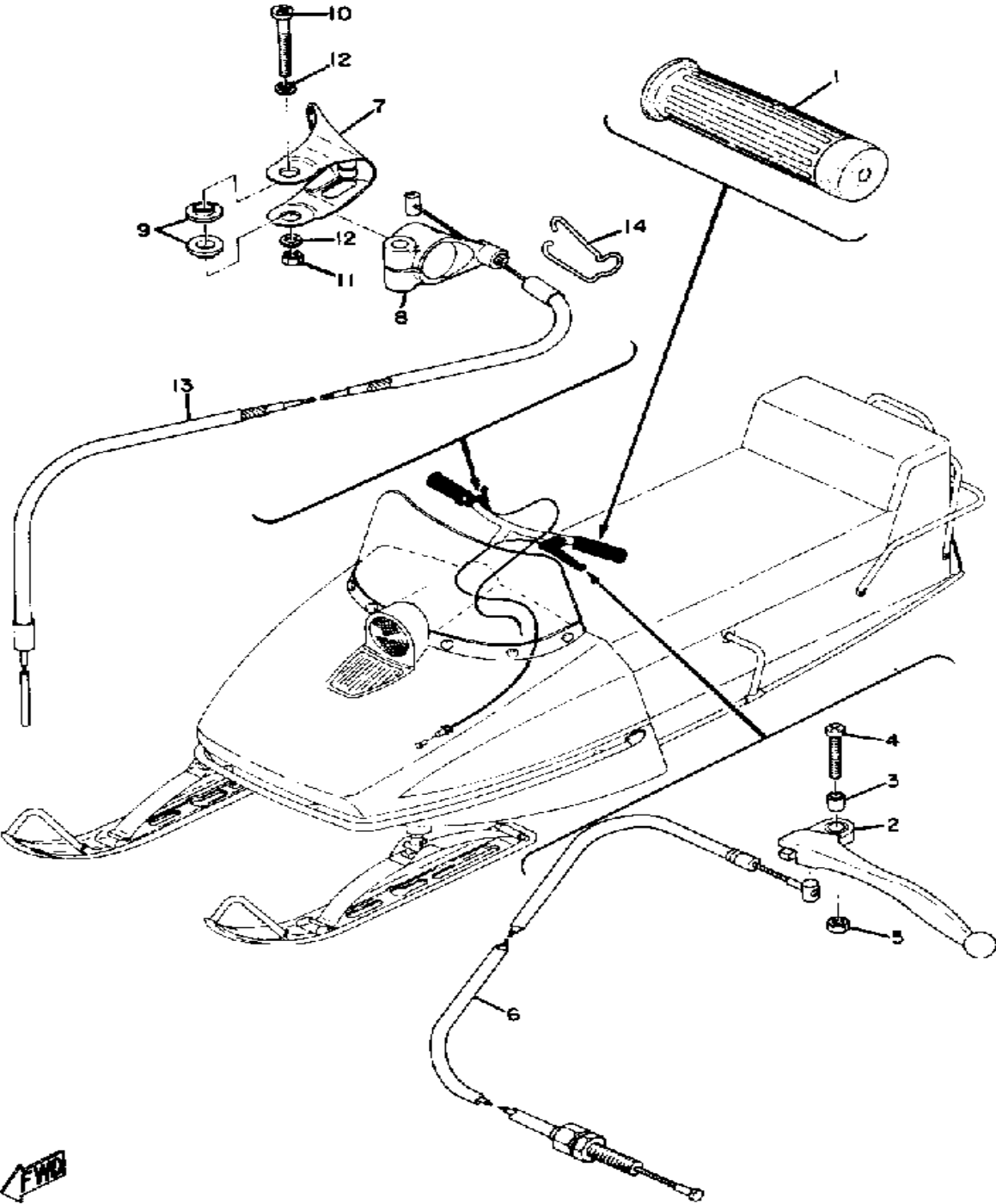
SKI



Ref. No.	Part Number	Description	Qty	Remarks
1	838-23710-01-00	SKI COMP (821-23710-00)	2	SEE NOTE
2	821-23731-01-00	RUNNER 1	2	USE WITH #1
	838-23731-03-00	RUNNER 1	2	USE WITH #1
3	90185-08054-00	NUT, SELF-LOCKING (619-42546-00)	4	
4	810-23761-00-00	. LEAF 1	2	
5	810-23762-00-00	. LEAF 2	2	
6	810-23763-00-00	. LEAF 3	2	
7	810-23764-00-00	. LEAF 4	2	
8	810-23771-00-00	. LEAF 5	2	
9	90101-10062-00	. BOLT	4	
10	802-23768-00-00	. SEAT, SPRING 1	2	
11	811-23777-00-00	. SEAT, SPRING UPPER	2	
12	806-23766-00-00	. SADDLE 1	2	
13	90209-10037-00	. WASHER	2	
	90209-10069-00	. WASHER, SPEC'L SHAP	2	
14	95306-10600-00	. NUT (92806-10100)	4	
15	90240-08035-00	PIN, CLEVIS (801-23733-00)	4	
16	92906-08200-00	WASHER	4	
17	91401-30020-00	PIN, COTTER	4	
18	802-23735-00-00	PLATE, WEAR 1	2	
19	810-23767-00-00	BOLT	2	
20	95306-10900-00	NUT, SLOTTED	2	
21	91490-20025-00	PIN, SPLIT	2	
-1	823-23760-00-00	SPRING ASS'Y, LEFT	1	
-2	823-23770-00-00	SPRING ASS'Y, RIGHT	1	
1-1	838-26710-01-00	SKI COMP	2	

Property of www.SmallEngineDiscount.com - Not for Resale

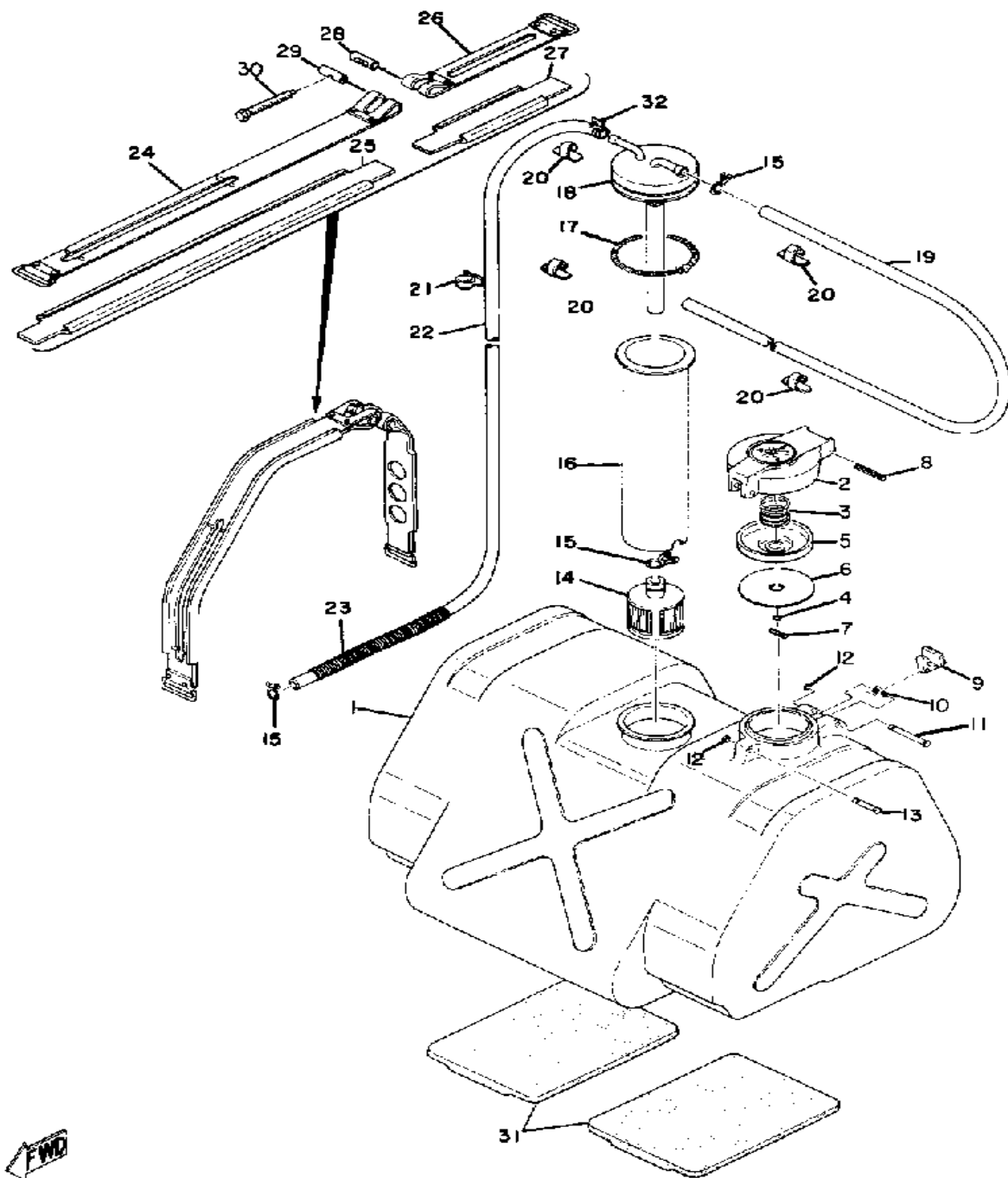
GRIP WIRING



Ref. No.	Part Number	Description	Qty	Remarks
1	801-26241-01-00	GRIP	2	
2	803-83912-00-38	LEVER 1	1	
3	802-83913-00-00	COLLAR, LEVER 1	1	
4	90157-05005-00	SCREW, LEVER FITTING (803-83915-00)	1	
5	95301-05700-00	NUT (95302-05700)	1	
6	810-26340-00-00	CABLE, BRAKE	1	
7	99999-01028-00	THROTTLE LEVER	1	
8	810-82821-00-00	HOLDER, LEVER 2	1	
9	90387-06020-00	COLLAR, LEVER (802-83923-00)	2	
10	90157-06004-00	SCREW, PAN HEAD (810-83925-00)	1	
11	95303-06700-00	NUT	1	
12	92903-06200-00	WASHER, PLAIN	2	
13	810-26311-00-00	CABLE, THROTTLE 1	1	
14	90468-10017-00	CLIP (821-26391-00)	1	

Property of www.SmallEngineDiscount.com - Not for Resale

FUEL TANK

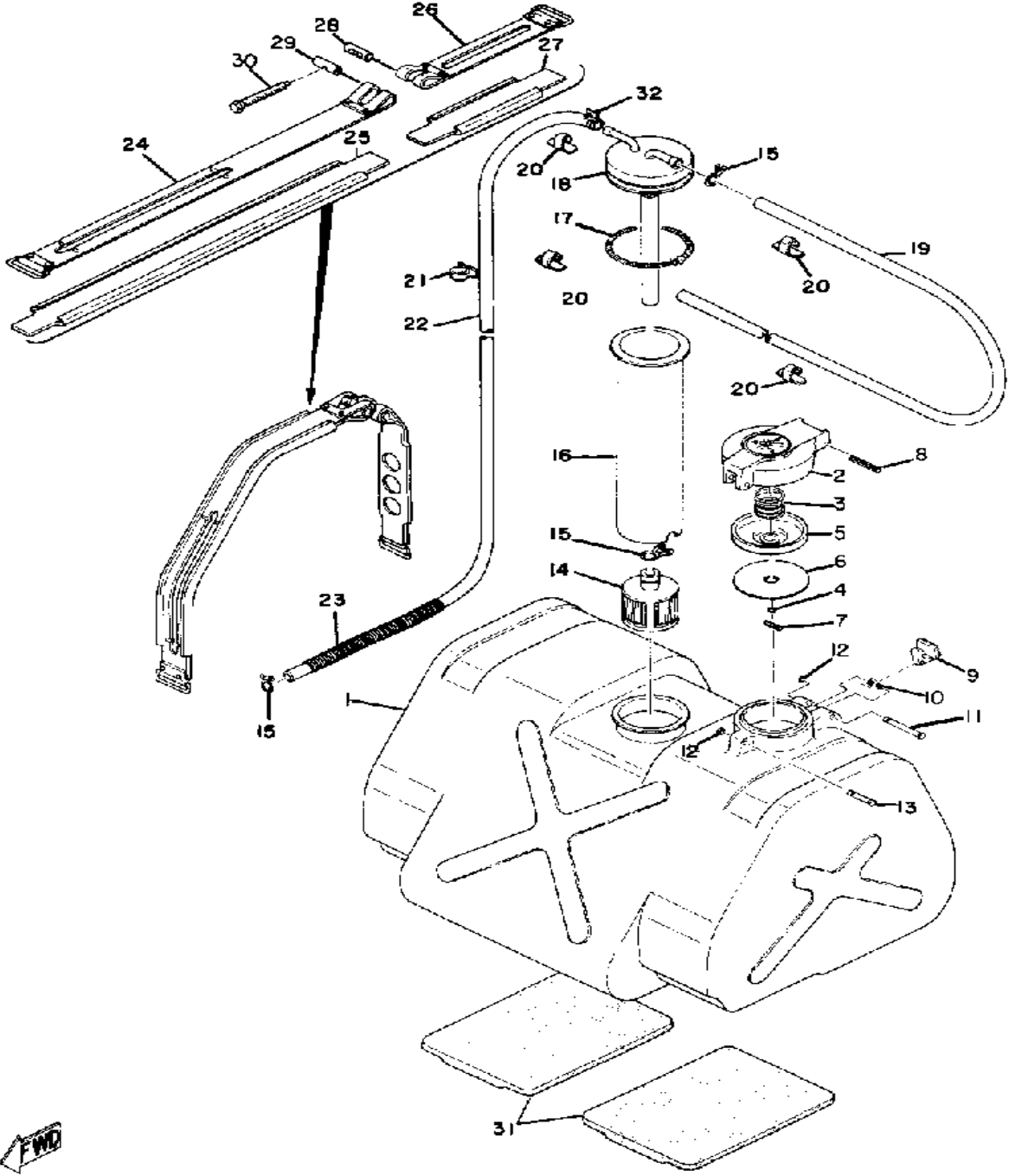


Ref. No.	Part Number	Description	Qty	Remarks
1	813-24111-00-00	FUEL TANK	1	
2	813-24611-01-00	BODY, CAP	1	
3	90501-20130-00	SPRING, COMPRESSION	1	
4	93210-04122-00	O-RING	1	
5	813-24613-01-00	DISC, CAP	1	
6	90430-28093-00	PACKING, CAP (256-24612-00)	1	
7	91609-30016-00	PIN, SPRING	1	
8	91609-25032-00	PIN, SPRING	1	
9	813-24628-00-00	HOOK	1	
10	90508-08003-00	SPRING, TORSION (813-24637-00)	1	
11	90249-03017-00	PIN	1	
12	93430-02001-00	CIRCLIP	2	
13	90249-03016-00	PIN, SPEC'L SHAPE	1	
14	8H5-24560-00-00	FILTER ASSEMBLY	1	
15	90467-11009-00	CLIP	3	
16	813-24336-00-00	PIPE, SUCTION 2	1	
17	90506-06065-00	SPRING, TENSION	1	
18	823-24335-00-00	PIPE, SUCTION 1	1	
19	813-24318-00-00	PIPE, BREATHER (5-650)	1	
20	813-24366-00-00	CLAMP, FUEL PIPE	4	
21	90463-07002-00	CLAMP, FUEL PIPE (809-24366-00)	1	
22	90446-11041-00	PIPE, FUEL (7-1215) (813-24311-00)	1	
23	806-24328-00-00	PROTECTOR, PIPE	1	
24	813-24173-00-00)	BAND, TANK FITTING 1	2	
25	813-24183-00-00	DAMPER, TANK LOCATING UPPER 1	2	
26	813-24199-00-00	BAND, TANK FITTING 2	2	

CONTINUED ON NEXT FRAME ►

Property of www.SmallEngineDiscount.com - Not for Resale

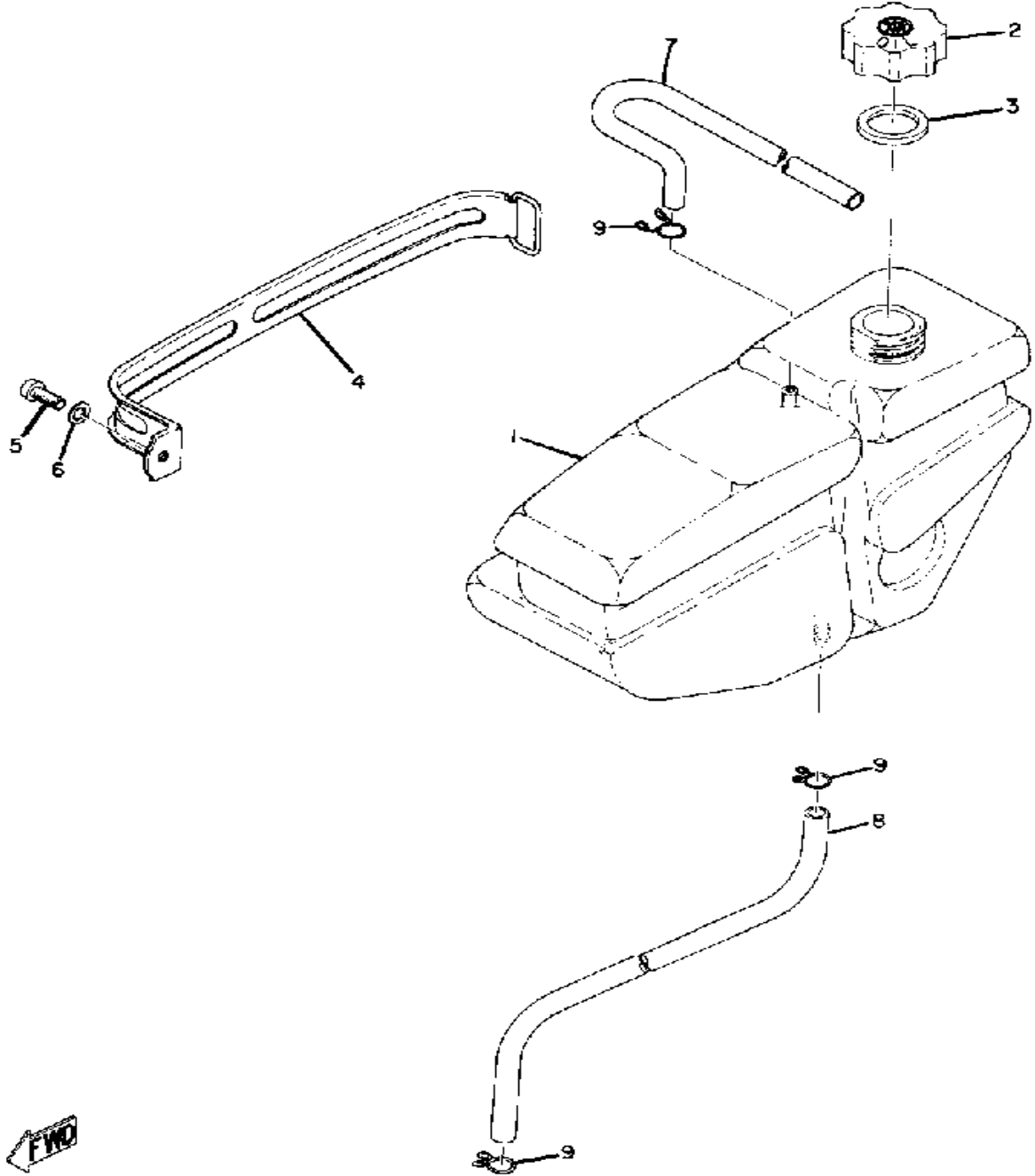
FUEL TANK



Ref. No.	Part Number	Description	Qty	Remarks
27	822-24184-00-00	DAMPER, TANK LOCATING UPPER	2	
28	90179-05030-00	NUT, SPEC'L SHAPE (806-24146-00)	2	
29	90464-06012-00	CLAMP 1	2	
30	90149-05006-00	SCREW, SPEC'L SHAPE (821-24176-00)	2	
31	813-24181-00-00	DAMPER, LOCATING LOWER .	2	
32	90460-11002-00	CLAMP, HOSE	1	

Property of www.SmallEngineDiscount.com - Not for Resale

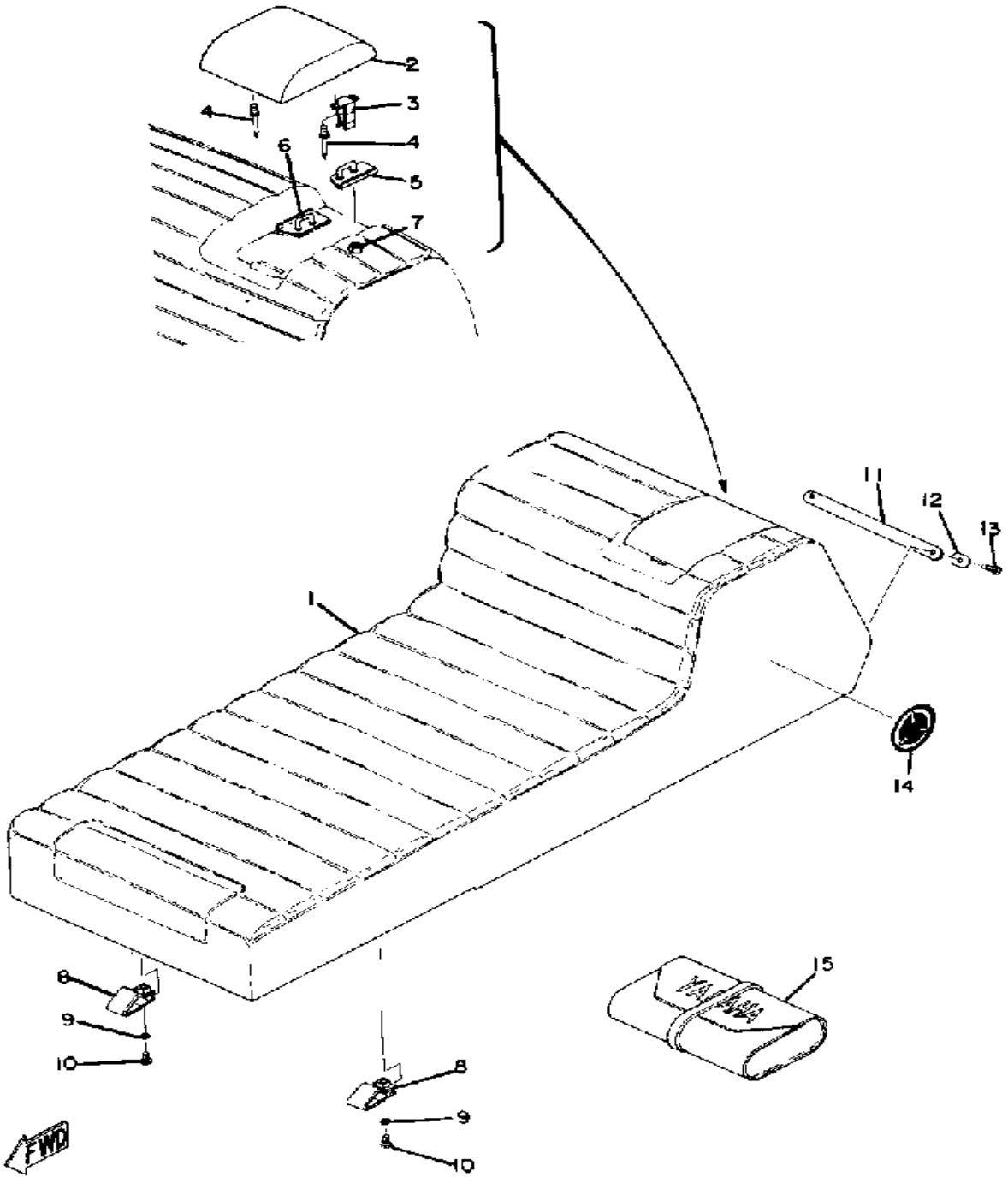
OILTANK



Ref. No.	Part Number	Description	Qty	Remarks
1	810-21751-00-00	TANK, OIL	1	
2	810-21771-01-00	BODY, CAP	1	
3	296-21772-00-00	GASKET, CAP	1	
4	810-21776-00-00	BAND, TANK FITTING	1	
5	98503-05012-00	SCREW, PAN HEAD	1	
	98503-05015-00	SCREW, PAN HEAD	1	
6	92901-05200-00	WASHER, PLAIN	1	
7	810-21745-00-00	PIPE, OIL TANK BREATHER ..	1	
8	90446-09015-00	HOSE	1	
9	810-24359-00-00	CLIP, PIPE 4	3	

Property of www.SmallEngineDiscount.com - Not for Resale

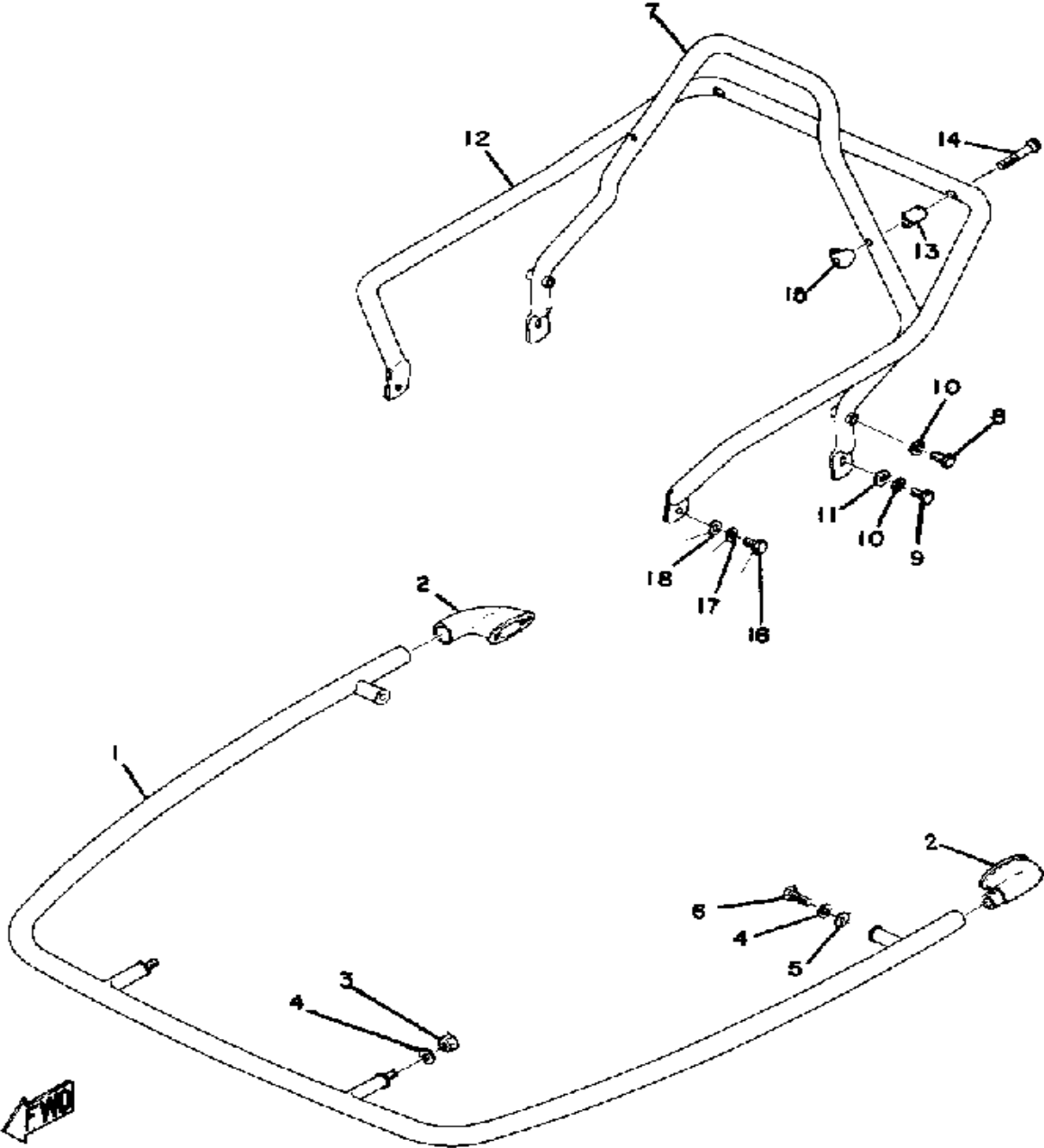
SEAT



Ref. No.	Part Number	Description	Qty	Remarks
1	821-24730-00-00	DOUBLE SEAT ASS'Y	1	
2	821-24765-00-00	. LID, DOUBLE SEAT	1	
3	821-24794-00-00	. SPRING	2	
4	90267-32016-00	. RIVET (821-24789-00)	6	
5	821-24793-00-00	. PIN, LEFT	1	
6	821-24784-00-00	. PIN, RIGHT	1	
7	95303-06700-00	. NUT	4	
8	809-24744-00-00	PLATE, SEAT FITTING	2	
9	92903-06100-00	WASHER, SPRING	2	
10	92503-06015-00	SCREW, pan head (92502-06016)	2	
11	813-24746-00-00	WASHER, SPECIAL	1	
12	90215-07064-00	WASHER, LOCK (813-24736-00)	2	
13	97303-06020-00	BOLT (91201-06020)	2	
14	821-77352-00-00	EMBLEM 2	2	
15	821-28100-10-00	TOOL ASS'Y	1	
1-1	821-24731-00-00	. COVER, DOUBLE SEAT	1	

Property of www.SmallEngineDiscount.com - Not for Resale

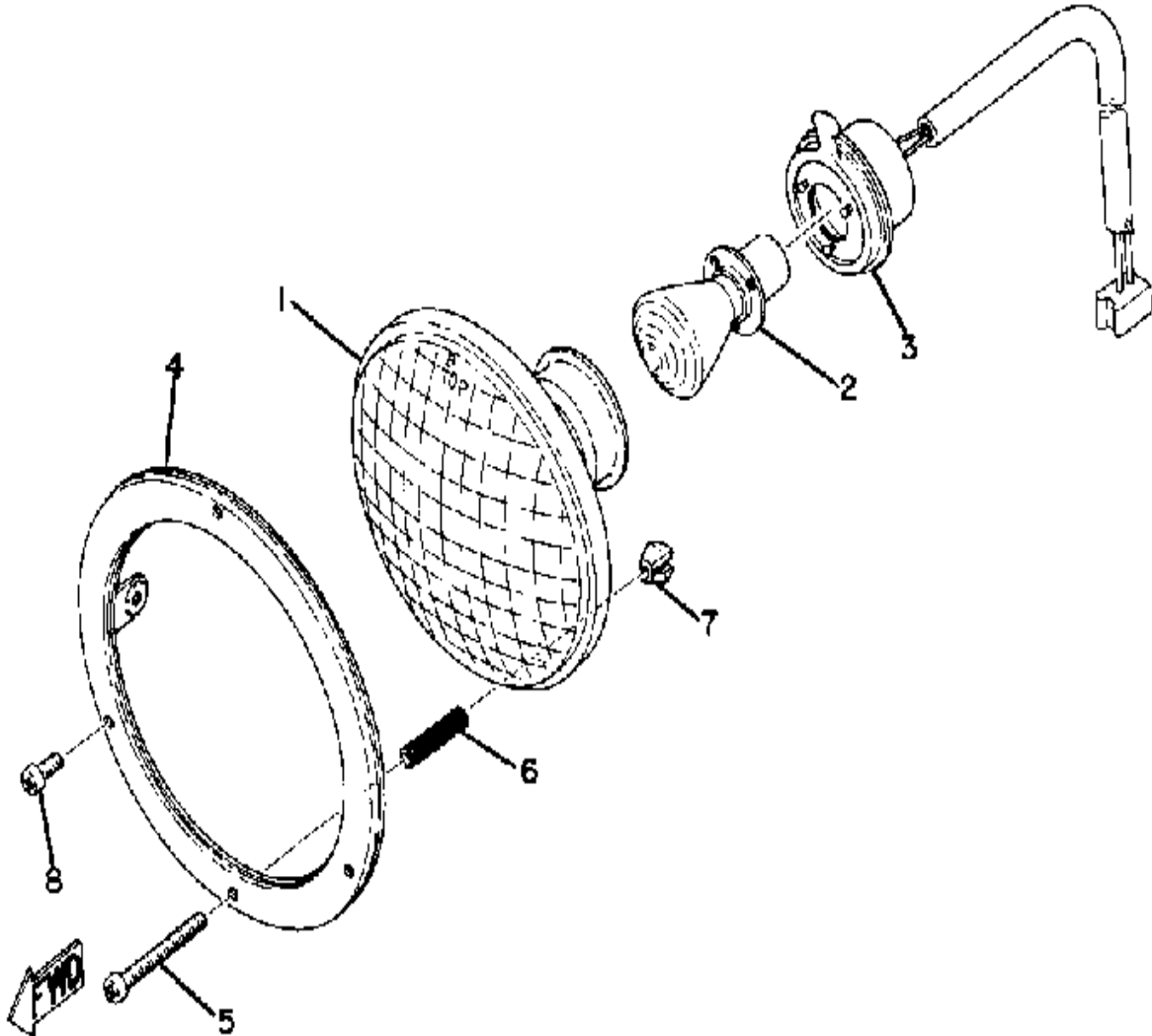
BUMPER



Ref. No.	Part Number	Description	Qty	Remarks
1	821-77510-00-00	FRONT BUMPER (806-77510-00)	1	
2	821-77523-00-00	END, BUMPER	2	
3	95303-08600-00	NUT	2	
4	92903-08100-00	WASHER, SPRING	4	
5	92903-08200-00	WASHER, PLAIN	2	
6	97301-08018-00	BOLT (97301-08015)	2	
7	821-77541-00-00	BUMPER, REAR	1	
8	97313-08045-00	BOLT	2	
9	97303-08018-00	BOLT (97203-08018)	2	
10	92903-08100-00	WASHER, SPRING	4	
11	92903-08200-00	WASHER, PLAIN	2	
12	821-77571-00-00	GRIP, PASSENGER	1	
13	806-77515-00-00	BUSHING, RUBBER	2	
14	92601-06050-00	SCREW, OVAL HEAD	2	
15	806-77573-00-00	NUT, SPECIAL	2	
16	97303-06018-00	BOLT (91203-06018)	2	
17	92903-06100-00	WASHER, SPRING	2	
18	92903-06200-00	WASHER, PLAIN	2	

Property of www.SmallEngineDiscount.com - Not for Resale

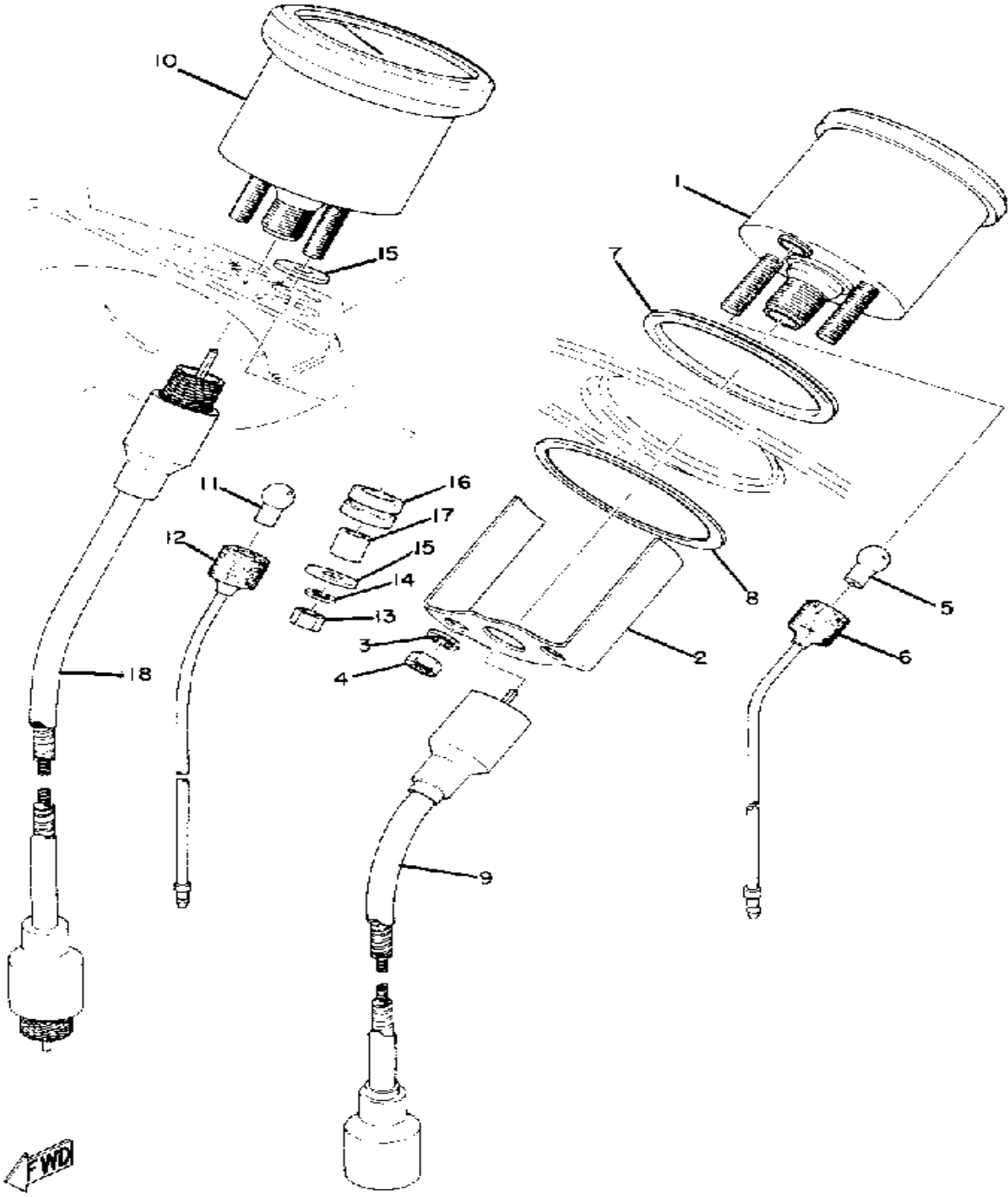
HEAD LAMP



Ref. No.	Part Number	Description	Qty	Remarks
1	817-84320-00-00	. LENS ASSEMBLY	1	
2	830-84314-09-00	. BULB, HEADLIGHT	1	
3	821-84312-00-00	. SOCKET	1	
4	817-84315-00-00	. RIM, HEAD LAMP	1	
5	817-84331-00-00	. SCREW, RIM ADJUSTING ...	3	
6	817-84332-00-00	. SPRING, ADJUST SCREW ...	3	
7	817-84334-00-00	. NUT, ADJUSTING	3	
8	98501-04020-00	SCREW, PAN HEAD	3	
-1	821-84310-00-00	HEADLIGHT UNIT ASSEMBLY .	1	

Property of www.SmallEngineDiscount.com - Not for Resale

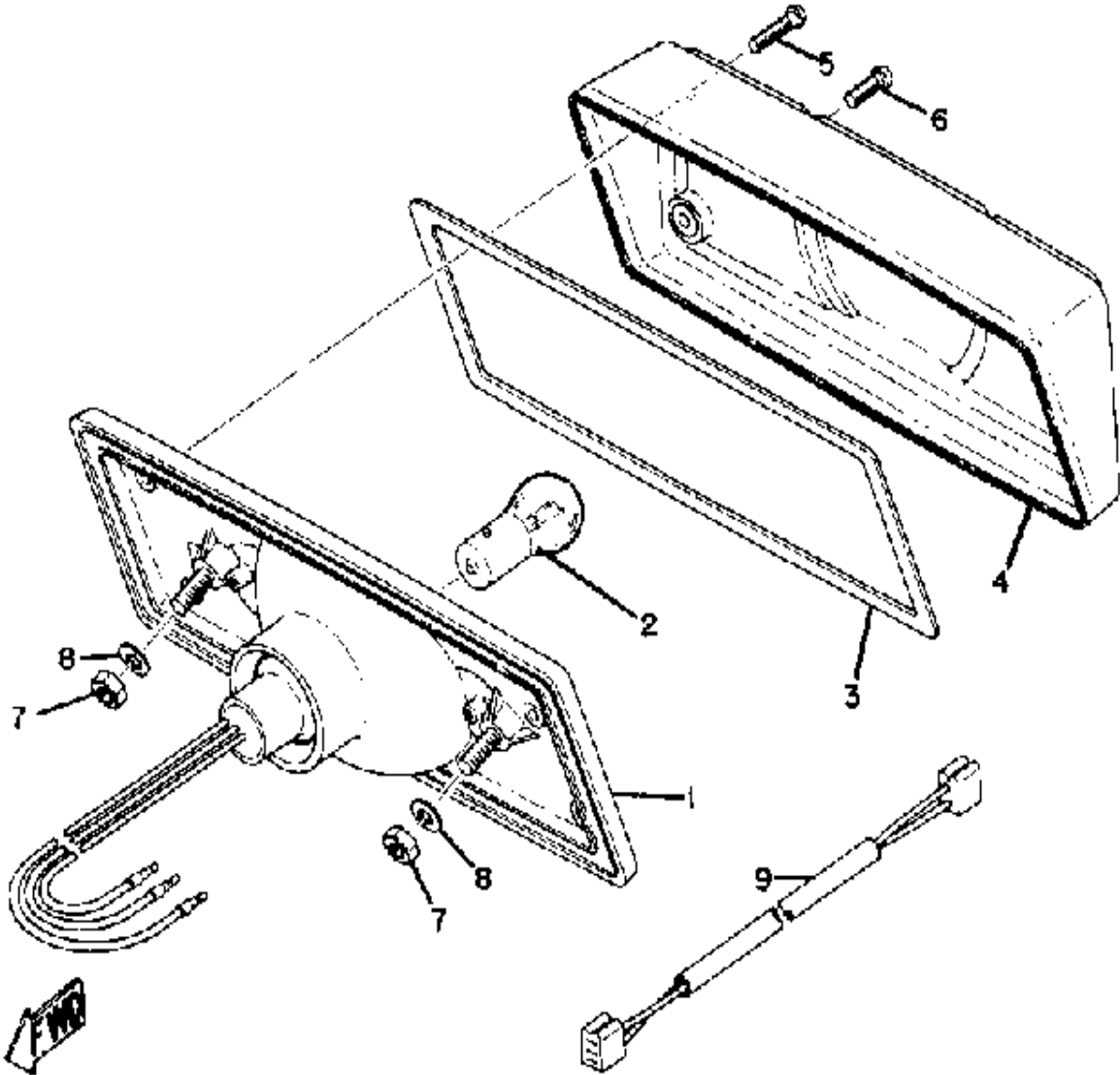
SPEEDOMETER TACHOMETER



Ref. No.	Part Number	Description	Qty	Remarks
1	821-83510-40-00	SPEEDOMETER ASSEMBLY ..	1	
2	102-83514-00-00	. PLATE, FITTING	1	
3	92903-05100-00	. WASHER, SPRING		
4	95301-05600-00	. NUT	2	
5	256-84347-00-00	. BULB	1	
6	803-83536-10-00	. SOCKET METER	1	
7	809-83513-00-00	DAMPER 1	1	
8	803-83577-00-00	PLATE, FITTING	1	
9	813-83550-01-00	SPEEDOMETER CABLEASS"Y	1	
10	813-83540-00-00	TACHOMETER ASS"Y	1	
11	256-84347-00-00	. BULB	1	
12	813-83536-00-00	. SOCKET, METER	1	
13	95301-05600-00	NUT	1	
14	92903-05100-00	WASHER, SPRING	1	
15	90201-05032-00	WASHER, PLATE	4	
16	803-83523-00-00	DAMPER 2	2	
17	90387-05009-00	COLLAR (803-83576-00)	2	
18	813-83560-00-00	TACHOMETER CABLE ASS"Y	1	

Property of www.SmallEngineDiscount.com - Not for Resale

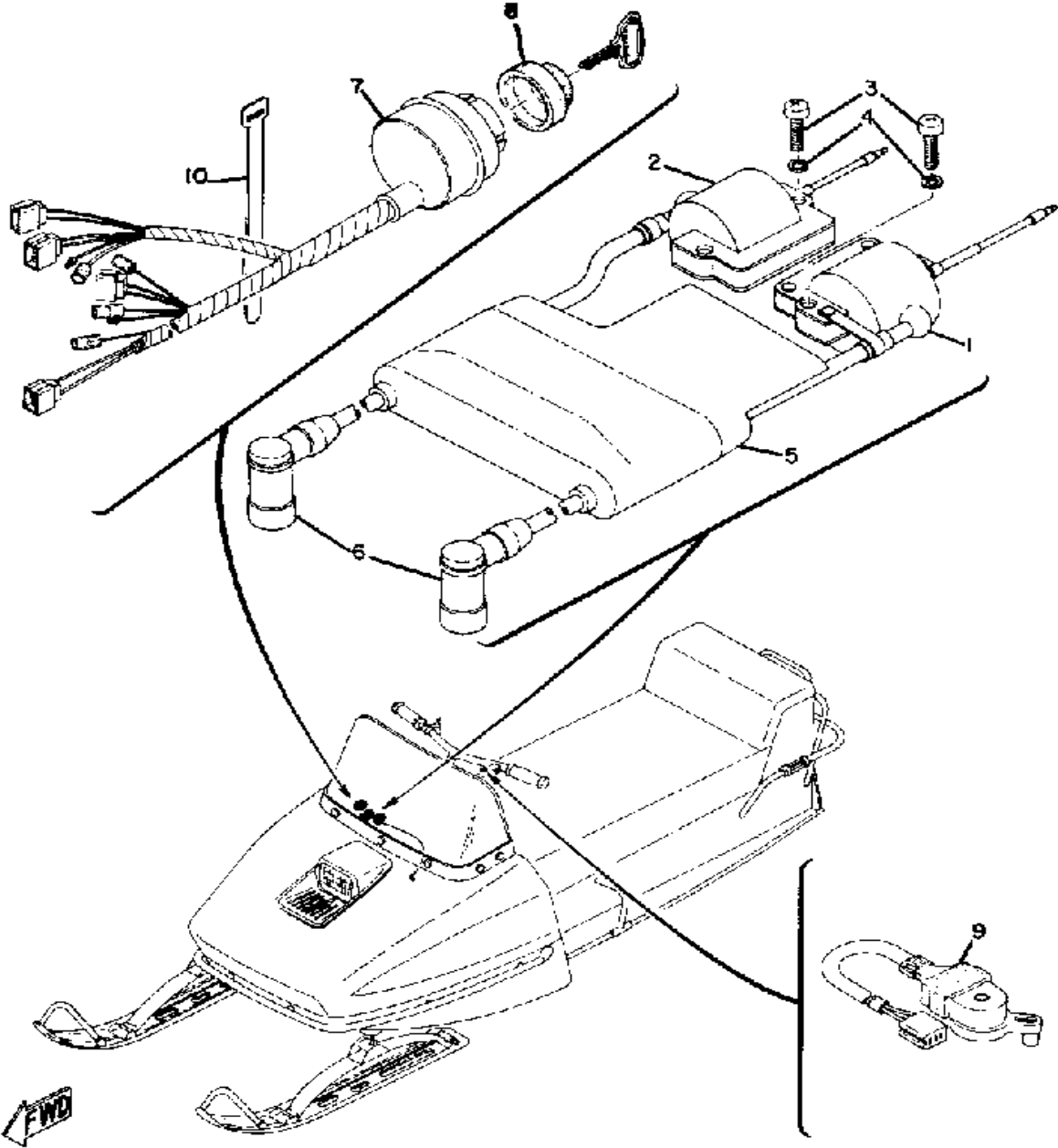
TAIL LAMP



Ref. No.	Part Number	Description	Qty	Remarks
1	821-84711-01-00	. BASE TAIL LAMP (821-84711-00)	1	
2	806-84714-00-00	. BULB TAIL LAMP (12V 10/5W)	1	
3	821-84712-00-00	. SEAT, BASE	1	
4	821-84721-00-00	. LENS, TAILLIGHT	1	
5	98501-04030-00	. SCREW, PAN HEAD	2	
6	98503-04015-00	. SCREW, PAN HEAD	2	
7	92903-06100-00	WASHER, SPRING	2	
8	95303-06600-00	NUT	2	
9	822-84727-00-00	CORD, TAILLIGHT	1	
-1	821-84710-00-00	TAILLIGHT UNIT ASSEMBLY	1	

Property of www.SmallEngineDiscount.com - Not for Resale

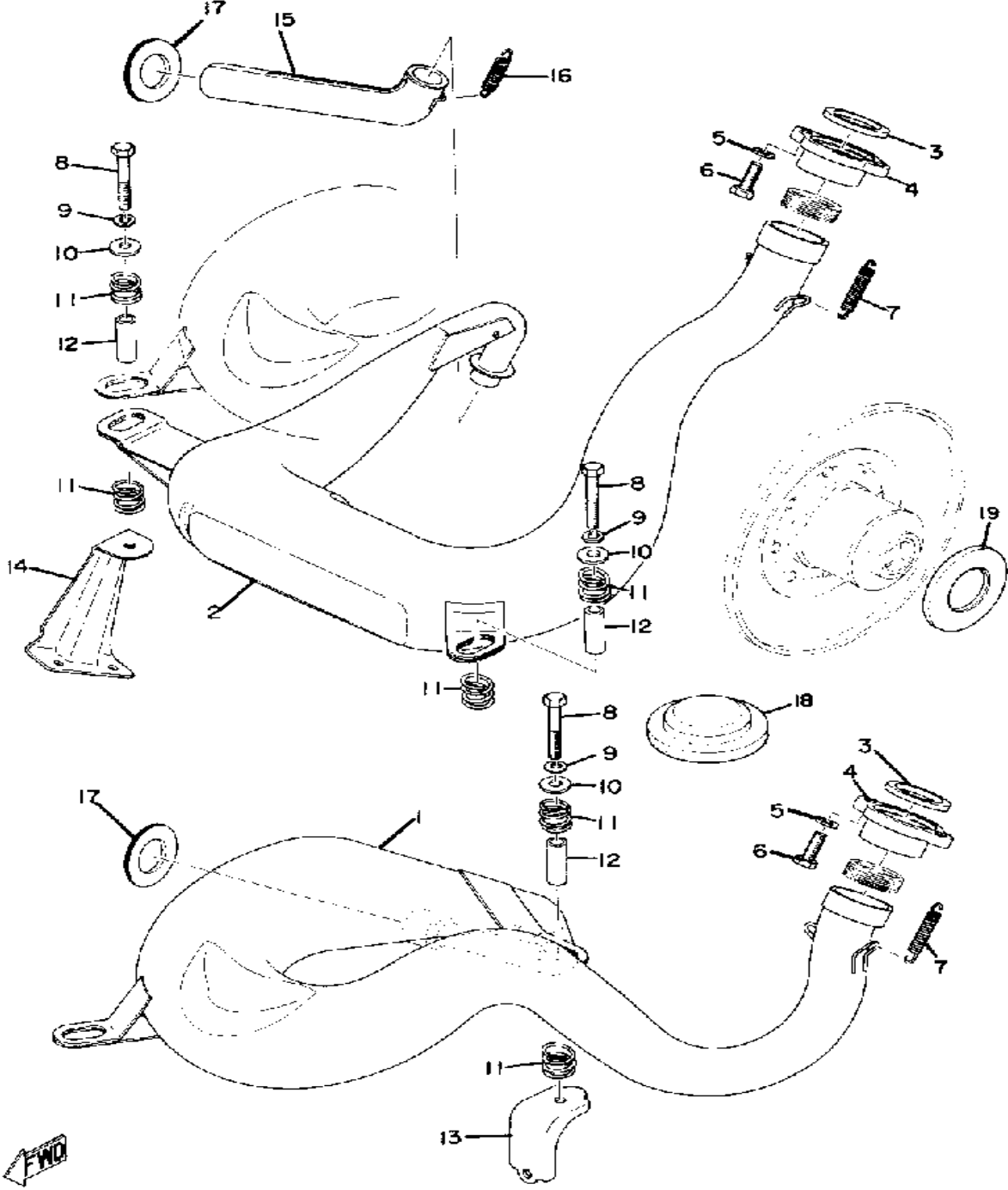
ELECTRICAL



Ref. No.	Part Number	Description	Qty	Remarks
1	810-82310-40-00	IGNITION COIL ASS"Y 1	1	
2	810-82320-41-00	NO LONGER AVAILABLE	4	
4	92906-06100-00	WASHER, SPRING	4	
5	810-82314-00-00	COVER, IGNITION COIL	1	
6	812-82370-20-00	PLUG CAP ASS"Y	2	
7	821-82508-20-00	MAIN SWITCH ASS"Y	1	
8	806-82516-00-00	COLLAR, MAIN SWITCH	1	
9	822-82530-00-00	STOP SWITCH ASSEMBLY	1	
10	90465-05037-00	BAND (810-82591-00)	4	

Property of www.SmallEngineDiscount.com - Not for Resale

EXHAUST PRIMARY SHEAVE (SS KIT)

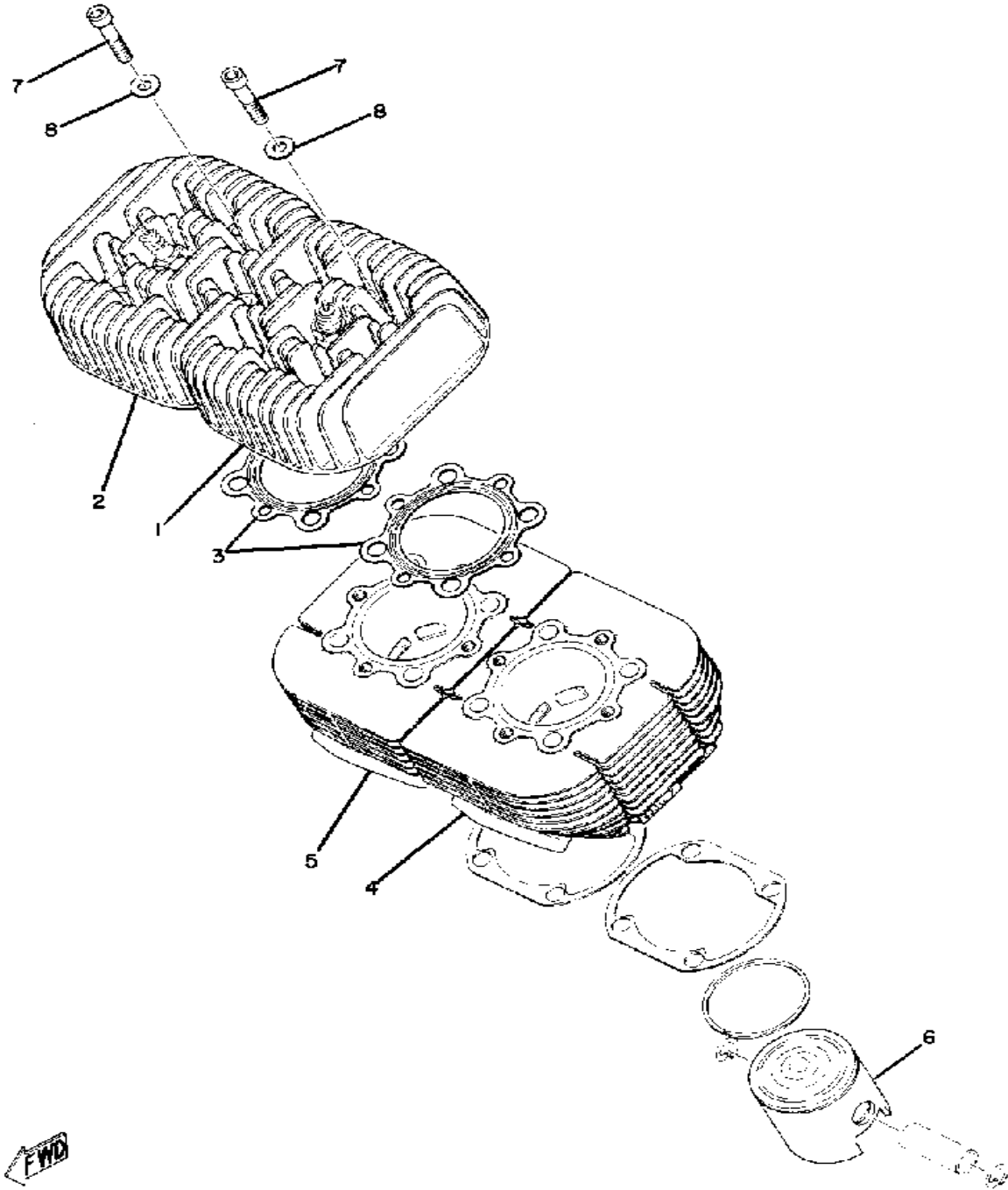


Ref. No.	Part Number	Description	Qty	Remarks
----------	-------------	-------------	-----	---------

1	828-14610-70-00	EXHAUST PIPE ASS'Y, LEFT	1	
---	-----------------	--------------------------	---	--

Property of www.SmallEngineDiscount.com - Not for Resale

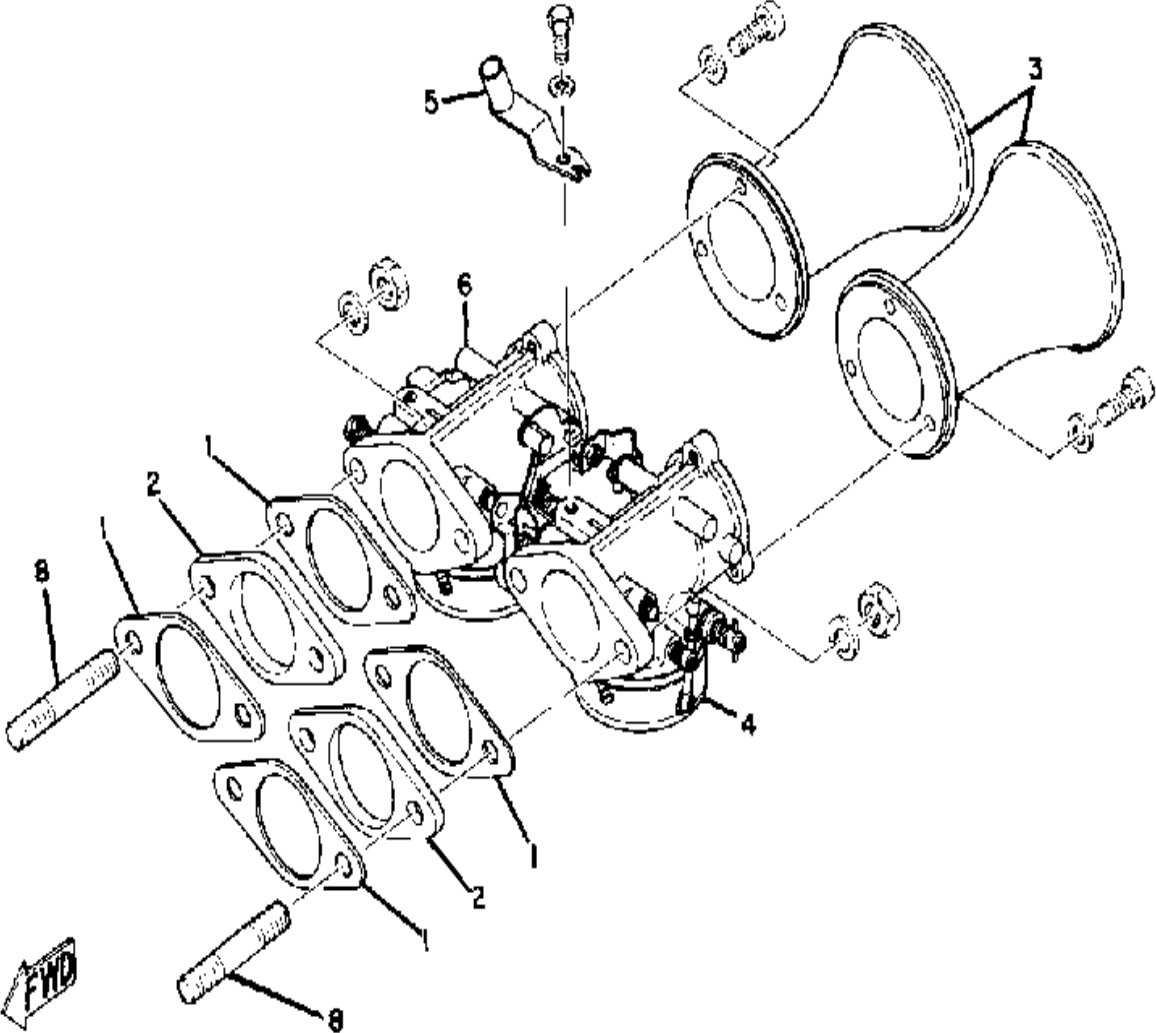
CYLINDER PISTON (SR KIT)



Ref. No.	Part Number	Description	Qty	Remarks
1	828-11111-70-00	HEAD, CYLINDER LEFT	1	
2	828-11121-70-00	HEAD, CYLINDER RIGHT	1	
3	828-11181-70-00	GASKET, CYLINDER HEAD 1	2	
4	828-11311-70-00	CYLINDER, LEFT	1	
5	828-11321-70-00	CYLINDER, RIGHT	1	
6	828-11631-70-96	PISTON (.96MM STD)	2	
	828-11635-70-00	PISTON (0.25MM 1ST O.S))	2	
	828-11636-70-00	PISTON (0.50MM 2ND O.S))	2	
7	91318-08050-00	BOLT	8	
8	92903-08200-00	WASHER, PLAIN	8	

Property of www.SmallEngineDiscount.com - Not for Resale

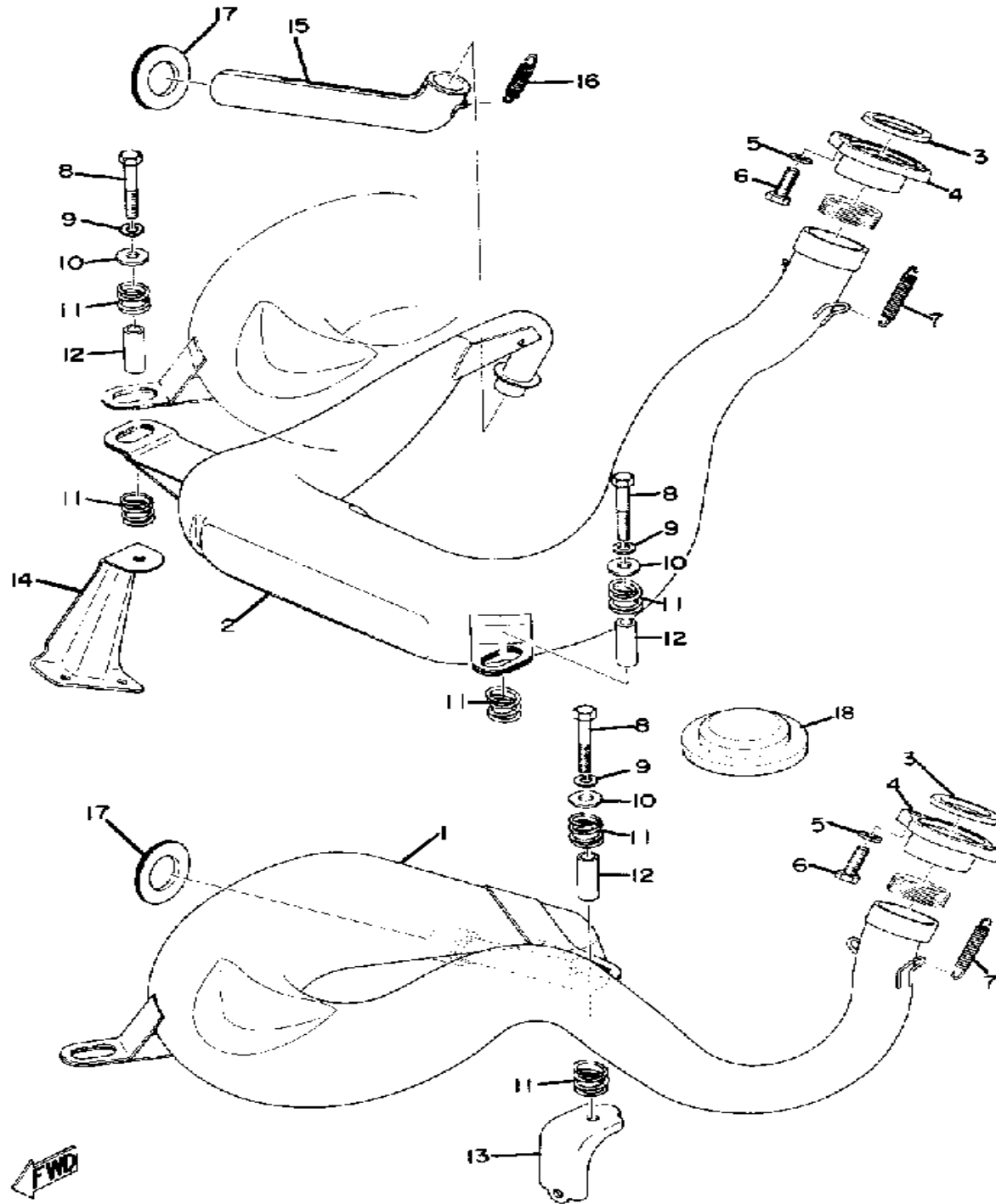
INTAKE (SR KIT)



Ref. No.	Part Number	Description	Qty	Remarks
1	828-13556-70-00	GASKET	4	
2	812-13555-70-00	JOINT	4	
3	828-14479-70-00	FUNNEL	2	
4	828-14501-70-00	CARBURETOR ASS'Y, LEFT .	1	
5	823-14571-00-00	. BRACKET, THROTTLE	1	
6	828-14502-70-00	CARBURETOR ASS'Y, RIGHT	1	
7	824-14521-00-00	. SCREW, MAIN ADJUSTING ..	2	
8	90116-08056-00	STUD (807-13558-00)	4	

Property of www.SmallEngineDiscount.com - Not for Resale

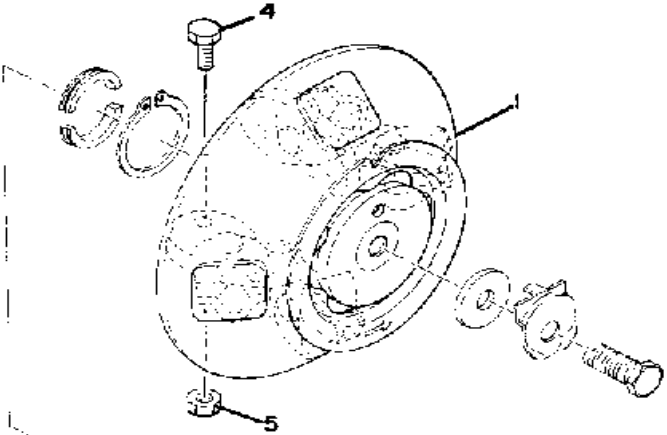
EXHAUST (SR KIT)



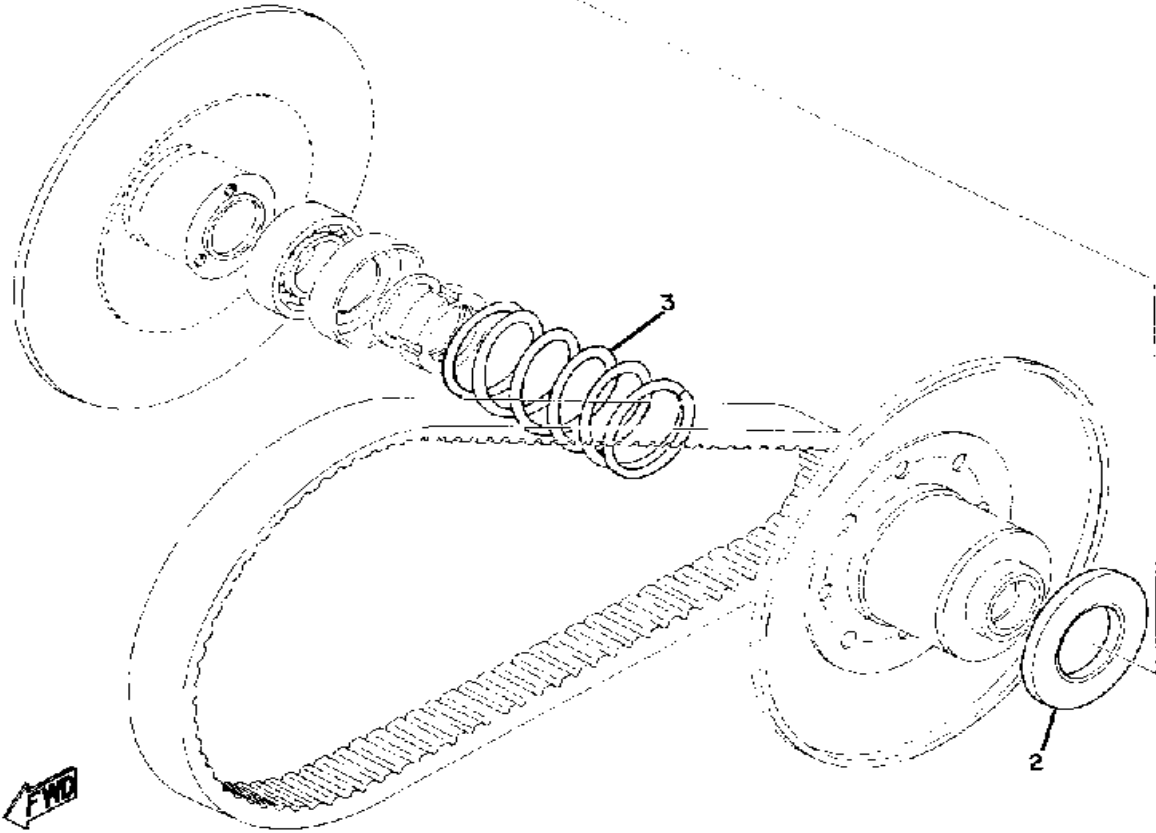
Ref. No.	Part Number	Description	Qty	Remarks
1	828-14610-70-00	EXHAUST PIPE ASS'Y, LEFT	1	
2	828-14620-70-00	EXHAUST PIPE ASS'Y, RIGHT	1	
3	821-14613-00-00	GASKET, EXHAUST	2	
4	828-14612-70-00	NUT, RING	2	
5	92903-08100-00	WASHER, SPRING	4	
6	97313-08025-00	BOLT (97323-08025)	4	
7	90506-12027-00	SPRING, HOOK (828-14683-70)	4	
8	97321-08060-00	BOLT (97201-08060)	3	
9	92903-08100-00	WASHER, SPRING	3	
10	90201-08114-00	WASHER, SPECIAL (156-24186-00)	3	
11	90501-26149-00	SPRING, COMPRESSION (802-14773-00)	6	
12	90387-09071-00	COLLAR (802-14638-00)	3	
13	820-21445-00-00	STAY, MUFFLER 1	1	
14	820-21446-00-00	STAY, MUFFLER 2	1	
15	818-14746-00-00	PIPE, MUFFLER TAIL	1	
16	90506-12029-00	SPRING, TENSION	1	
17	818-14728-00-00	PROTECTOR, MUFFLER 2	2	
18	809-14738-00-00	PROTECTOR, MUFFLER 3	1	

Property of www.SmallEngineDiscount.com - Not for Resale

PRIMARY SHEAVE (SR KIT)



Ref. No.	Part Number	Description	Qty	Remarks
1	829-17630-00-00	PRI SHV CAP	1	
2	809-17623-00-00	CAM	1	
3	90501-50168-00	SPRING, COMPRESSION (829-17643-70)	1	
4	97301-06016-00	BOLT (97301-06015)	2	
5	95303-06600-00	NUT	2	



Property of www.SmallEngineDiscount.com - Not for Resale