



YAMAHA

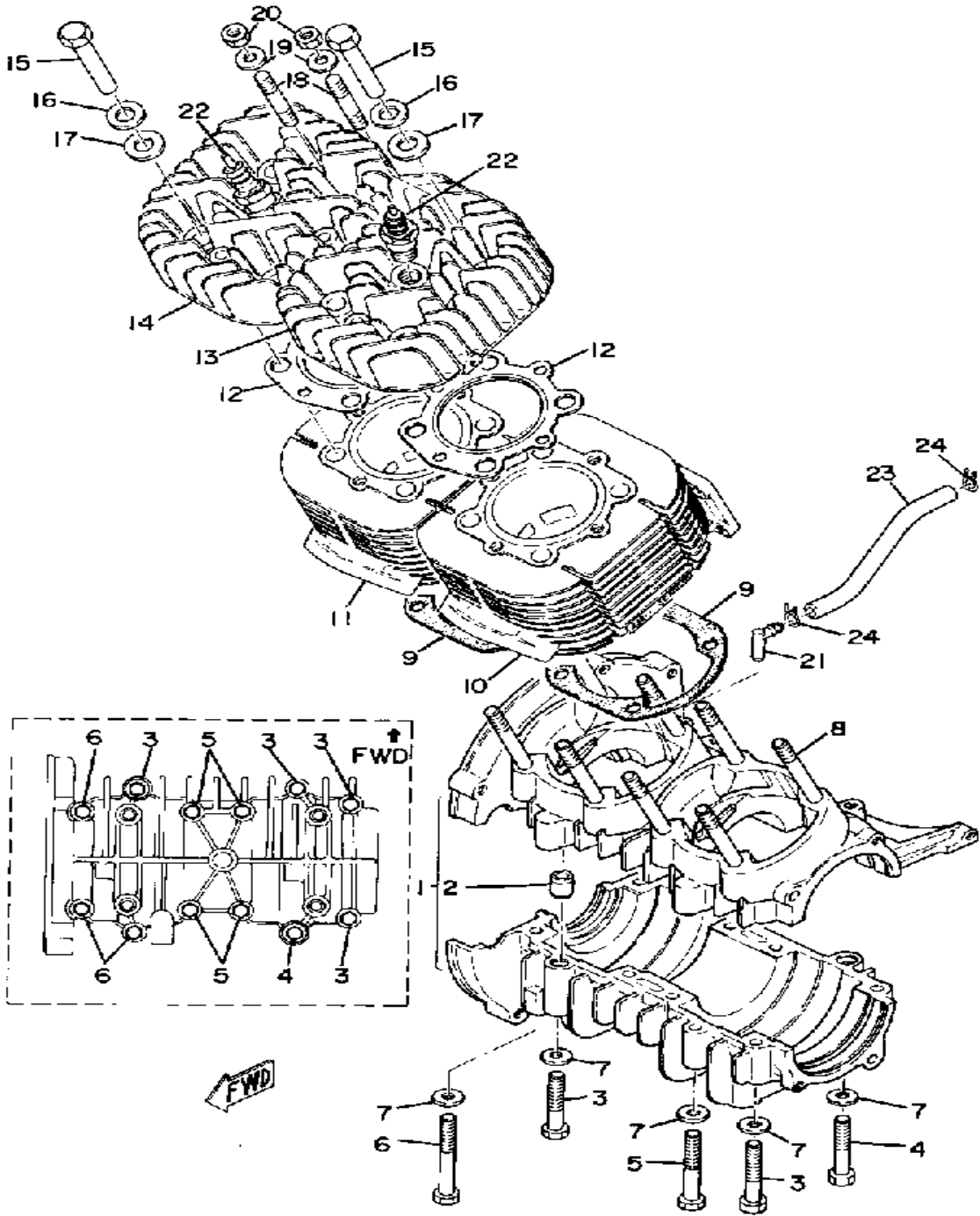
GENUINE

PARTS CATALOGUE

SNOWMOBILE

Property of www.SmallEngineDiscount.com - Not for Resale

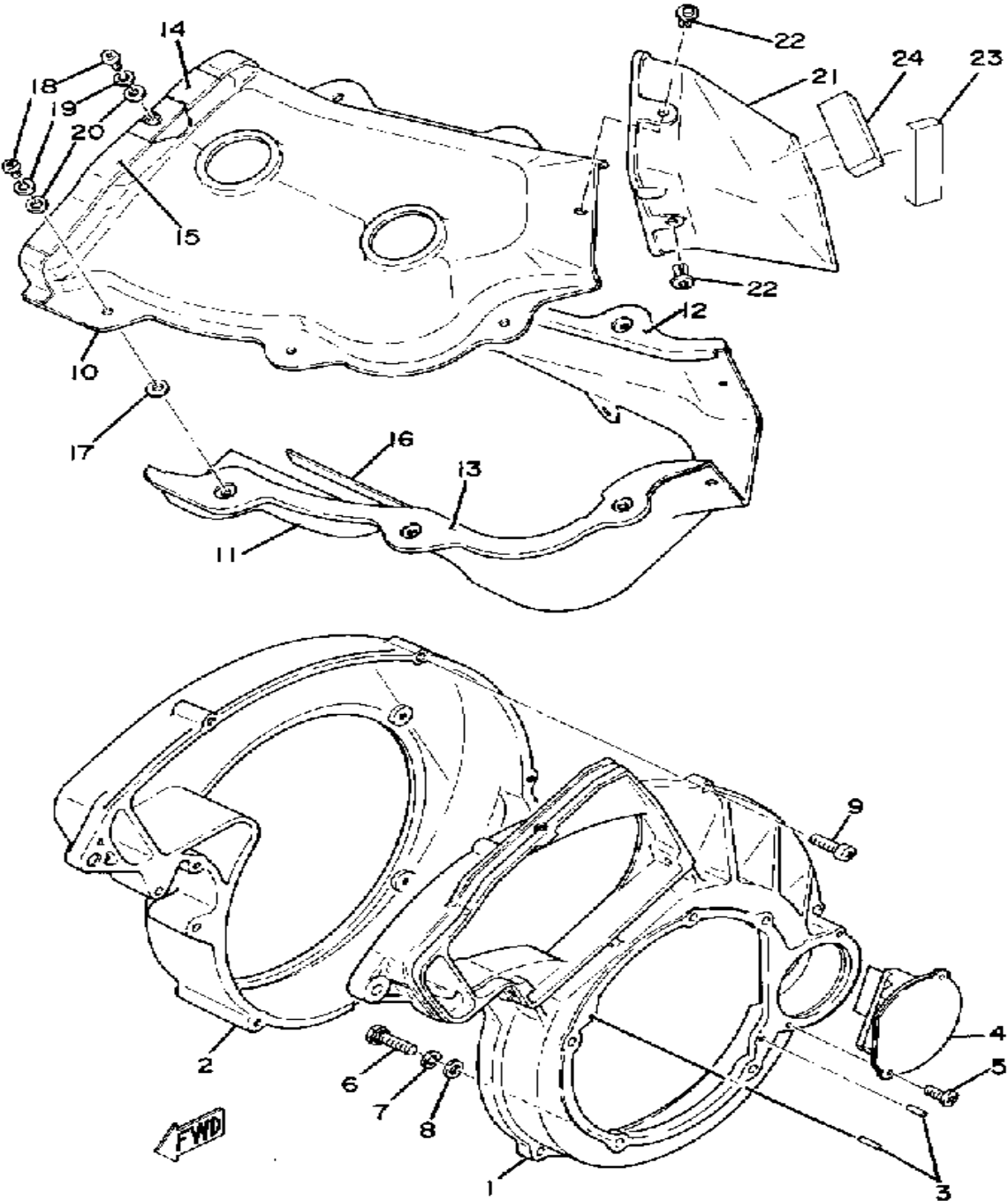
CRANKCASE - CYLINDER



Ref. No.	Part Number	Description	Qty	Remarks
1	838-15100-01-00	CRANKCASE ASSEMBLY	1	
2	99510-12016-00	. PIN, DOWEL	2	
3	97313-08050-00	BOLT, HEXAGON (90101-08125)	4	
4	97321-08055-00	BOLT, HEXAGON	1	
5	97013-08060-00	BOLT (663)	4	
6	97021-08070-00	BOLT	3	
7	92901-08600-00	WASHER	12	
8	90116-08064-00	BOLT, STUD	8	
9	857-11351-00-00	GASKET, CYLINDER	2	
10	(885-11311-00-00)	CYLINDER 1	1	
11	(885-11321-00-00)	CYLINDER 2	1	
12	828-11181-70-00	GASKET, CYLINDER HEAD 1	2	
13	(8A1-11111-00-00)	HEAD, CYLINDER 1	1	
14	885-11121-00-00	HEAD, CYLINDER 2	1	
15	90179-08090-00	NUT, SPEC'L SHAPE	8	
16	90208-12015-00	WASHER, CONICAL SPRING	8	
17	92990-12200-00	WASHER, PLAIN	8	
18	(95611-08650-00)	BOLT, STUD	8	
19	90201-08100-00	WASHER, PLATE	8	
20	95333-08600-00	NUT	8	
21	8E4-24461-00-00	PIPE, JOINT	1	
22	NGK-BR8EV-00-00	NGK BR8EV 4PK	2	
23	90445-10137-00	HOSE (810-24315-00)	1	
24	90467-09006-00	CLIP	2	

Property of www.SmallEngineDiscount.com - Not for Resale

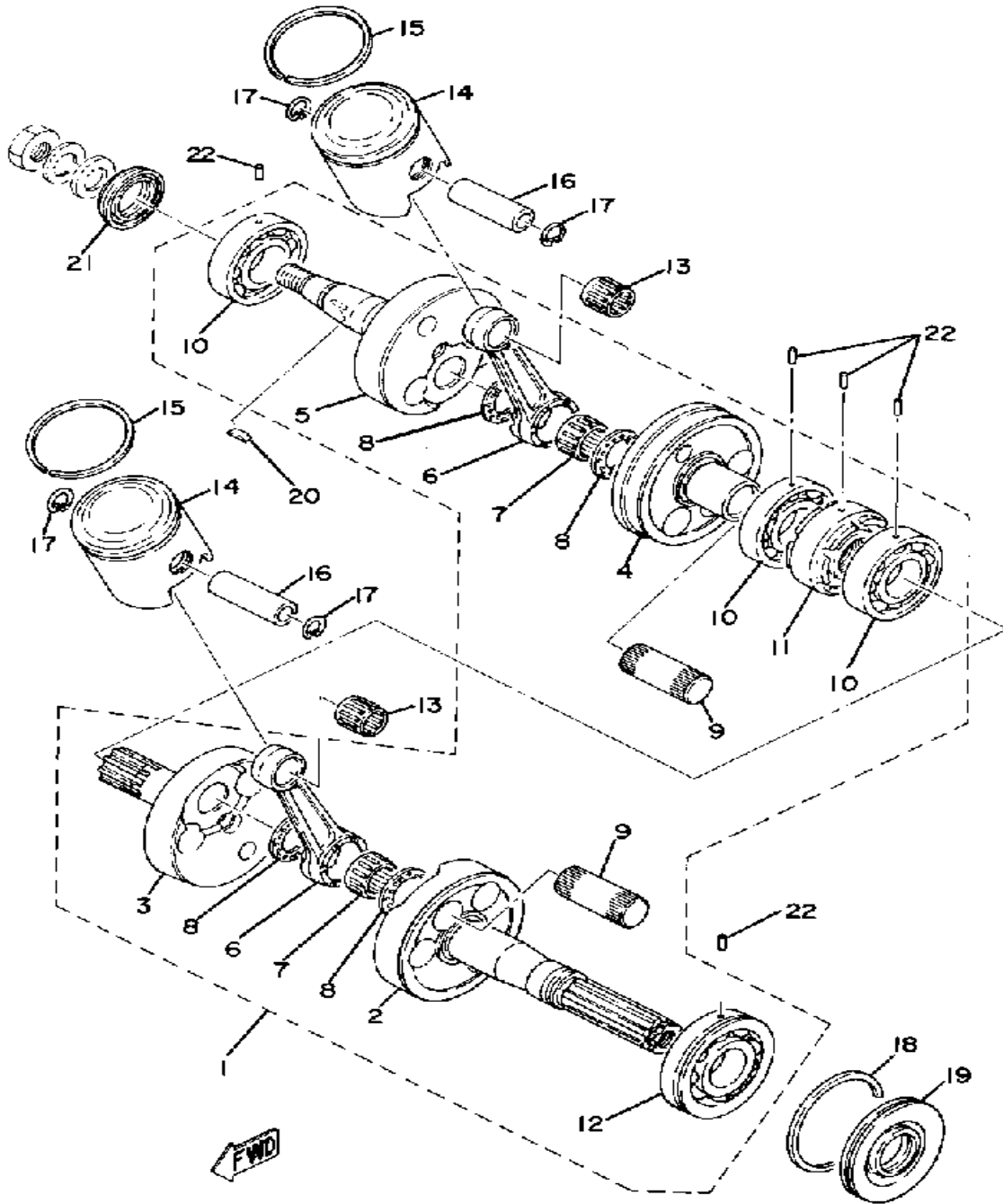
FAN CASE - AIR SHROUD



Ref. No.	Part Number	Description	Qty	Remarks
1	(838-12621-00-00)	CASE, FAN	1	
2	838-12622-00-00	CASE, FAN 2	1	
3	93604-12037-00	PIN, DOWEL	2	
4	(893-12633-00-00)	PLATE	1	
5	98580-05010-00	SCREW, PAN HEAD	2	
6	97011-06025-00	BOLT (97001-06025)	5	
7	92995-06100-00	WASHER, SPRING	5	
8	92901-06600-00	WASHER	5	
9	98506-06025-00	SCREW, PAN HEAD	6	
10	8A1-12651-00-00	AIR SHROUD, CYLINDER 1	1	
11	(866-12652-01-00)	AIR SHROUD, CYLINDER 2	1	
12	(8A1-12658-00-00)	DAMPER, AIR SHRD 1	1	
13	(8A1-12659-00-00)	DAMPER, AIR SHRD 2	1	
14	(8A1-12668-00-00)	DAMPER, AIR SHRD 3	1	
15	(8A1-12669-00-00)	DAMPER, AIR SHRD 4	1	
16	(8A1-12678-00-00)	DAMPER, SHROUD 5	1	
17	(90201-08568-00)	WASHER, PLATE	5	
18	98516-06012-00	SCREW, PAN HEAD	10	
19	92906-06100-00	WASHER, SPRING	10	
20	92906-06600-00	WASHER	10	
21	(8A1-12661-01-00)	DUCT	1	
22	(838-12666-00-00)	FASTENER	3	
23	(8E4-77278-00-00)	DAMPER, NOISE 8	1	
24	(8E4-77278-00-00)	DAMPER, NOISE 8	2	

Property of www.SmallEngineDiscount.com - Not for Resale

CRANK - PISTON

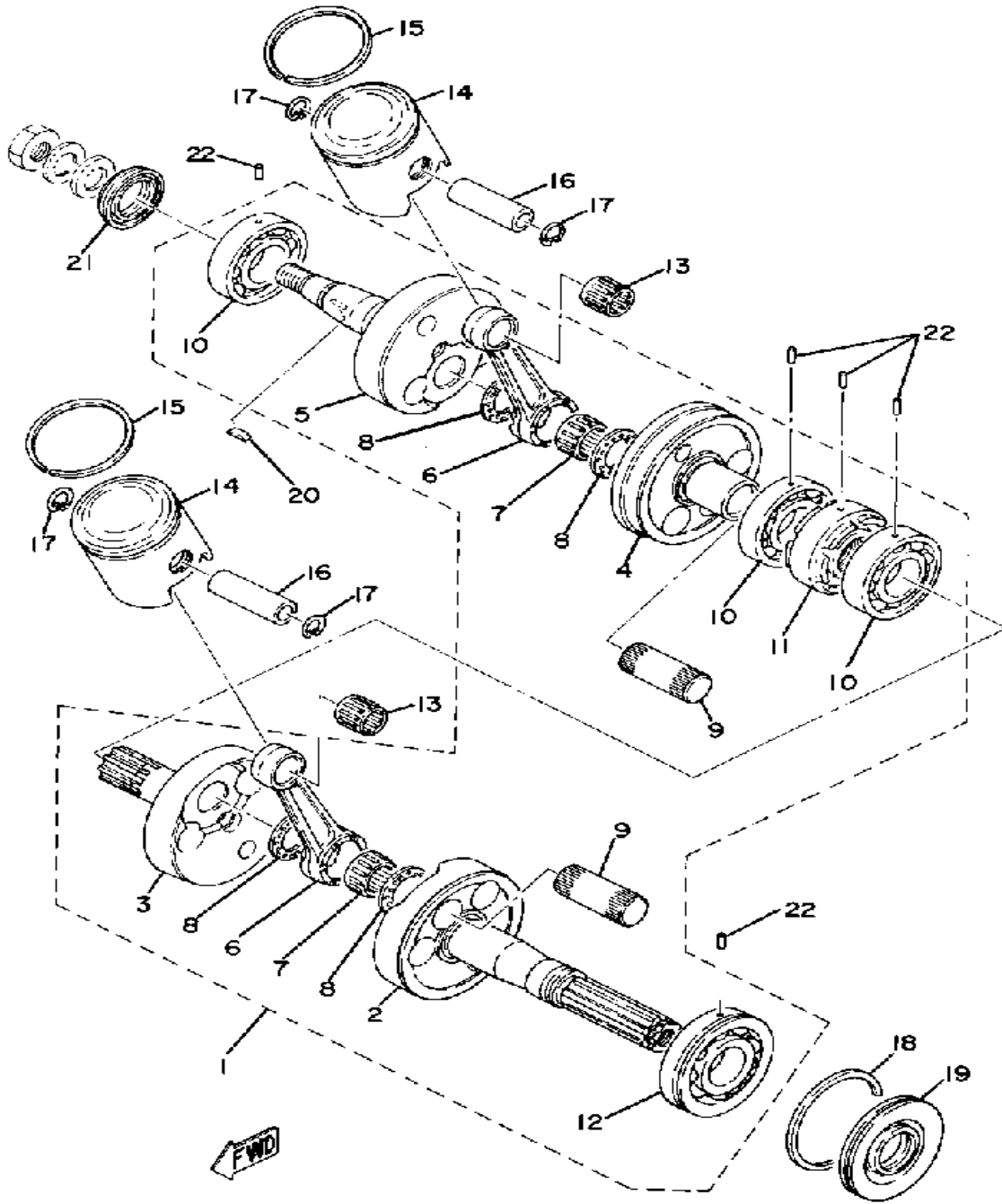


Ref. No.	Part Number	Description	Qty	Remarks
1	838-11400-00-00	CRANKSHAFT ASSEMBLY	1	
2	(838-11412-00-00)	CRANK 1	1	
3	(821-11422-01-00)	CRANK 2	1	
4	(821-11432-01-00)	CRANK 3	1	
5	(821-11442-00-00)	CRANK 4	1	
6	8A7-11651-00-00	. ROD, CONNECTING (838-11651-00)	2	
7	93310-42497-00	. BEARING, CYLINDER.# 0	2	
8	90209-24073-00	. WASHER	4	
9	857-11681-00-00	. PIN, CRANK 1	2	
10	93306-20633-00	. BEARING	3	
11	811-11515-00-00	. SEAL, LABYRINTH 1	1	
12	93306-30603-00	. BEARING	1	
13	93310-218A6-00	BEARING	2	
14	8A5-11631-01-96	PISTON STD	2	
	8A5-11635-01-00	PISTON 1 O/S 0.25 (8A5-11635-00)	2	ALTERNATE PART
	8A5-11636-01-00	PISTON 2 O/S 0.50 (8A5-11636-00)	2	ALTERNATE PART
	8A5-11637-01-00	PISTON 3 O/S 0.75 (8A5-11637-00)	2	ALTERNATE PART
	8A5-11638-01-00	PISTON 4 O/S 1.0	2	ALTERNATE PART
15	820-11611-00-00	RING, PISTON (STD)	2	
	820-11611-10-00	RING, PISTON (1ST O.S)	2	ALTERNATE PART
	820-11611-20-00	RING, PISTON (2ND O.S)	2	ALTERNATE PART
	820-11611-30-00	RING, PISTON 3RD	2	ALTERNATE PART
	820-11611-40-00	RING, PISTON 4TH	2	ALTERNATE PART
16	818-11633-00-00	PIN, PISTON	2	
17	93450-20026-00	CIRCLIP	4	
18	93440-78011-00	CIRCLIP, OUTER	1	

CONTINUED ON NEXT FRAME ►

Property of www.SmallEngineDiscount.com - Not for Resale

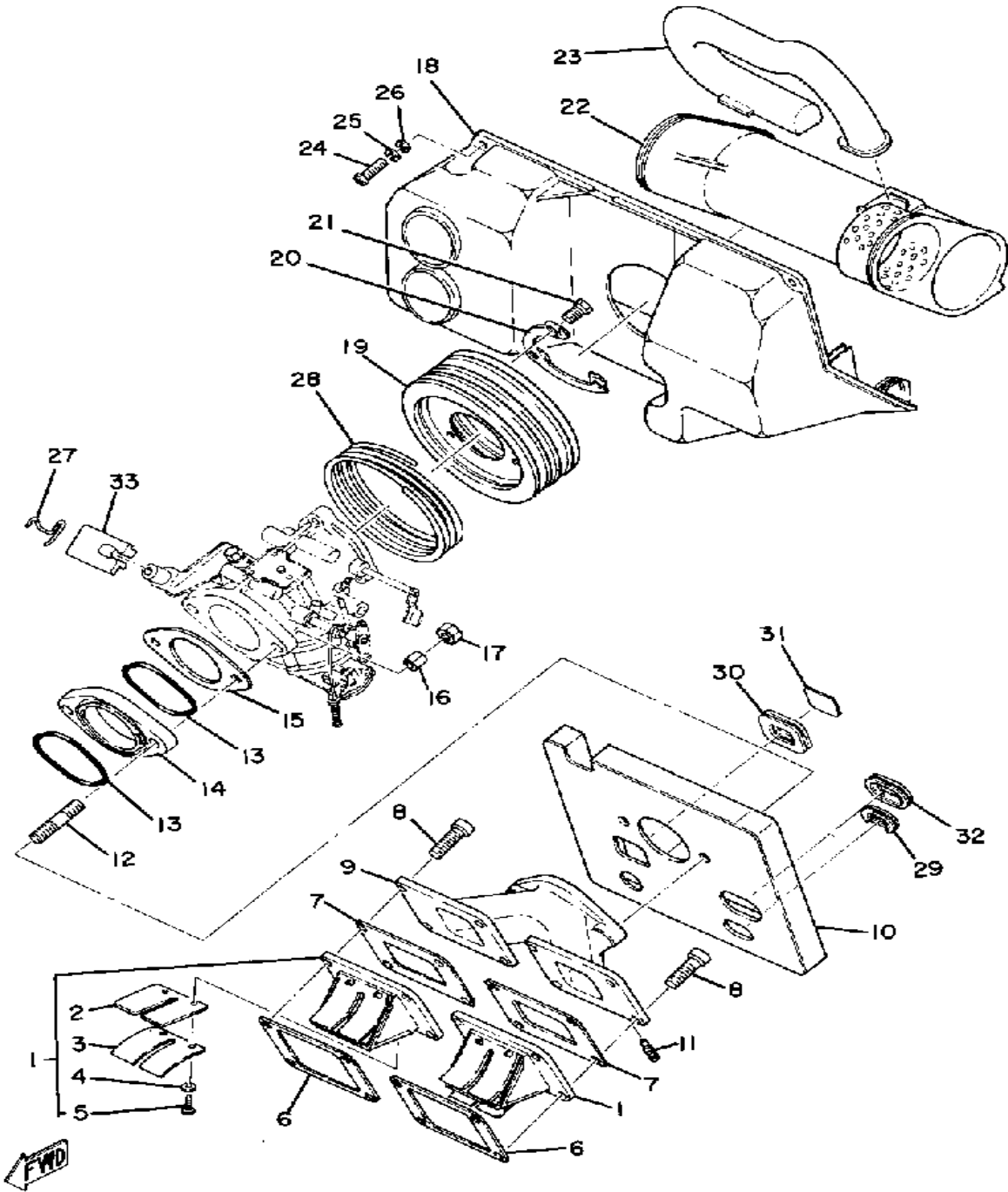
CRANK - PISTON



Ref. No.	Part Number	Description	Qty	Remarks
19	93103-32054-00	OIL SEAL, SW-TYPE	1	
20	90280-05014-00	KEY, WOODRUFF	1	
21	93103-32156-00	OIL SEAL	1	
22	93604-12037-00	PIN, DOWEL	5	

Property of www.SmallEngineDiscount.com - Not for Resale

INTAKE

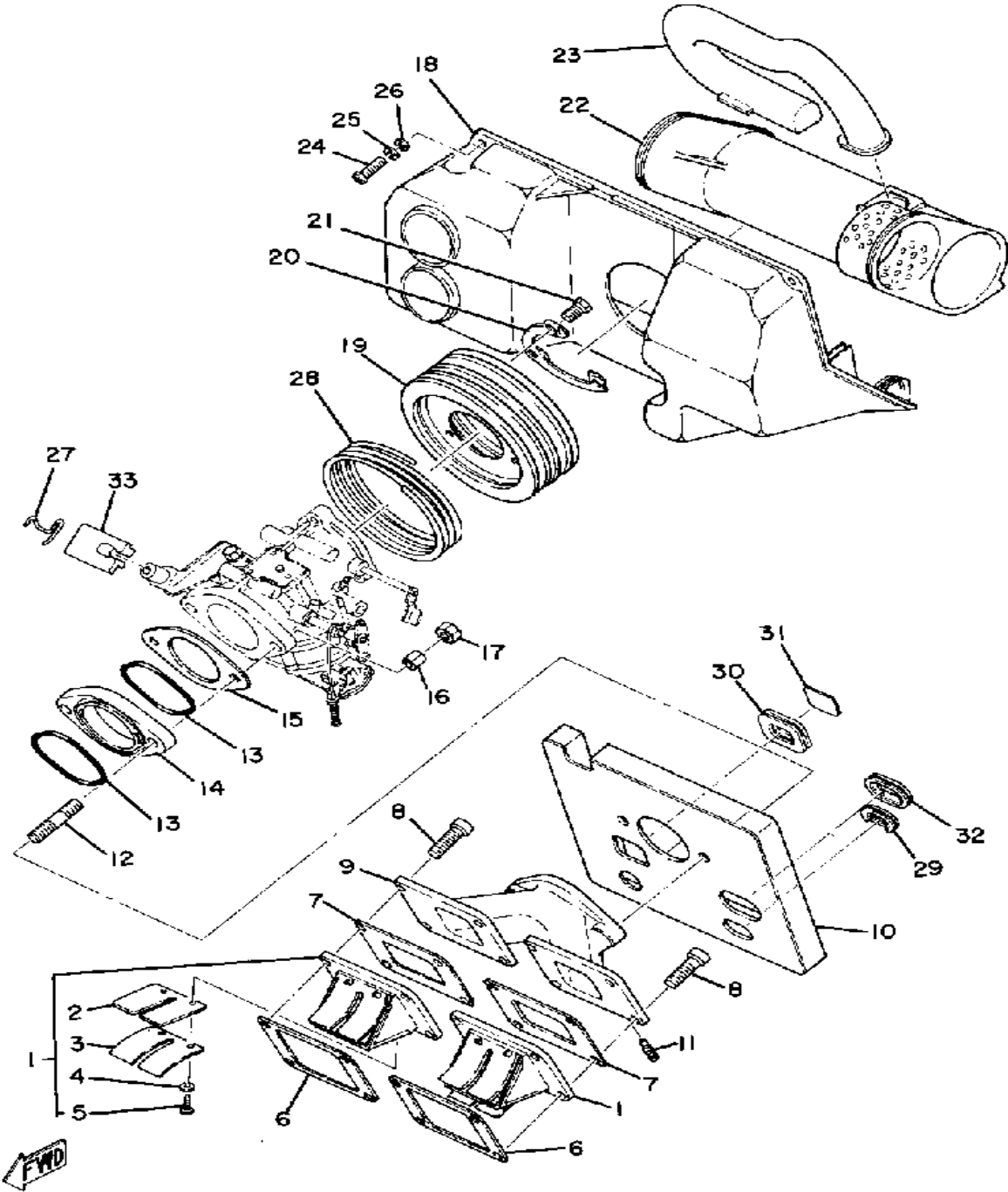


Ref. No.	Part Number	Description	Qty	Remarks
1	10V-13610-01-00	REED VALVE ASSEMBLY (885-13610-00)	2	
	810-13566-00-00	GASKET	1	
2	10V-13613-01-00	. REED, VALVE (1L8-13613-00)	4	
3	1UA-13616-00-00	. STOPPER REED VALVE VALVE (10V-13616-01)	4	
4	92990-03100-00	. WASHER, SPRING (92901-03100)	8	
5	98580-03008-00	. SCREW, PAN HEAD	8	
6	3TT-13621-00-00	GASKET, VALVE SEAT	2	
7	866-13563-00-00	GASKET	2	
8	91316-06025-00	BOLT	8	
9	885-13565-00-00	NO LONGER AVAILABLE	1	
10	8E4-13567-00-00	GASKET	1	
11	824-13552-00-00	NOZZLE	2	
12	(90116-08051-00)	BOLT, STUD	2	
13	93210-53291-00	O-RING	2	
14	8A0-13565-00-00	JOINT, CARBURETOR	1	
16	(810-13576-00-00)	SPACER	2	
17	95303-08700-00	NUT	2	
18	(8A1-14431-00-00)	SILENCER, INTAKE 1	1	
19	(8A1-14477-00-00)	PLATE	1	
20	865-14475-01-00	WASHER	1	
21	97013-06012-00	BOLT	3	
22	(8E4-14419-00-00)	PIPE	1	
23	8E4-14465-00-00	PIPE	1	
24	98580-05016-00	SCREW, PAN HEAD	5	
25	92990-05100-00	WASHER, SPRING	5	
26	92901-05600-00	WASHER, PLATE	5	
27	822-41222-00-00	CLAMP, THROTTLE	1	

CONTINUED ON NEXT FRAME ➤

Property of www.SmallEngineDiscount.com - Not for Resale

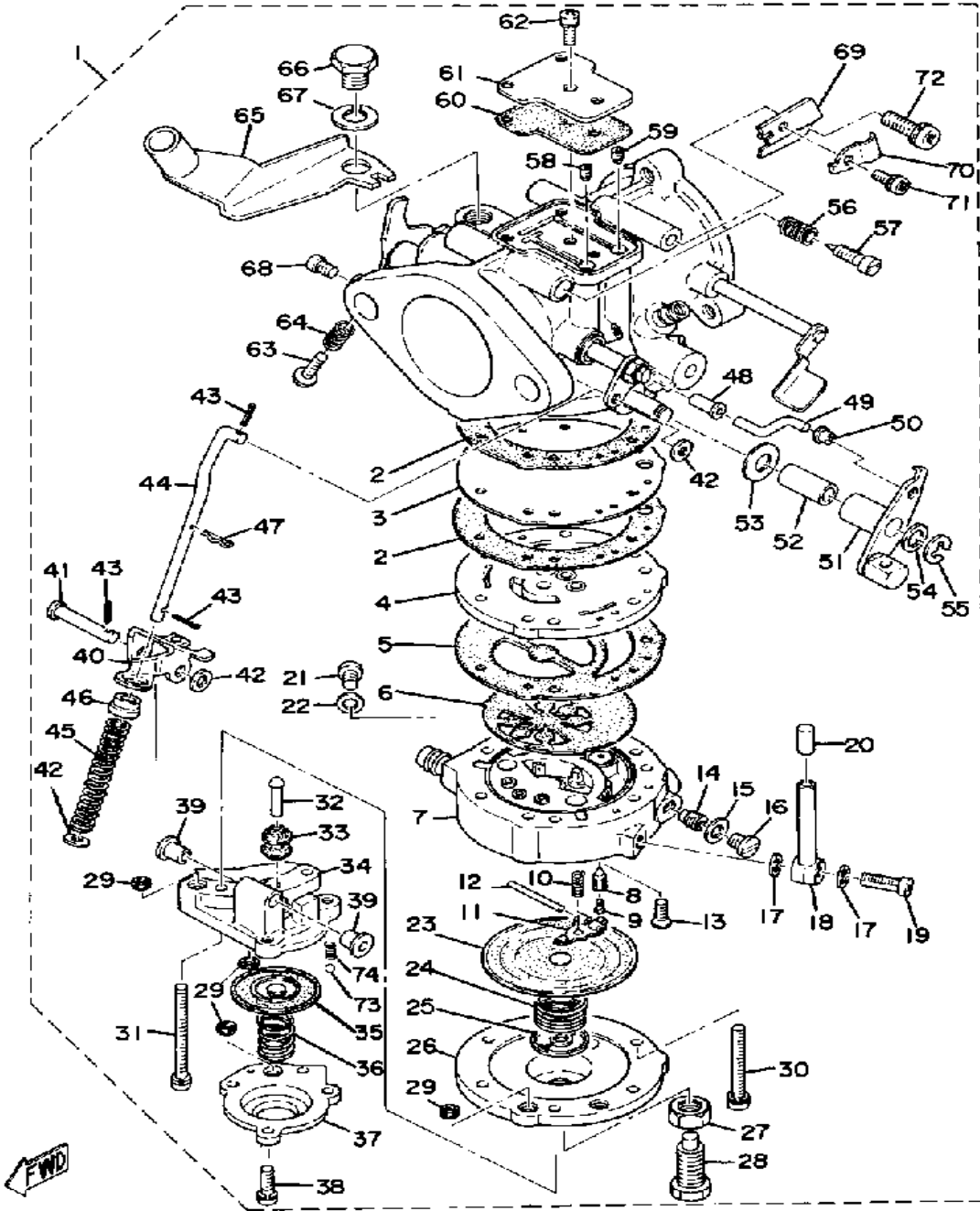
INTAKE



Ref. No.	Part Number	Description	Qty	Remarks
28	(90501-30363-00)	SPRING, COMPRESSION	1	
29	(90480-01210-00)	GROMMET	1	
30	(8E4-14435-00-00)	GROMMET	1	
31	(8E4-14477-00-00)	PLATE	1	
32	(8E4-14445-00-00)	GROMMET	1	
33	(8E4-14452-00-00)	SEAL	1	

Property of www.SmallEngineDiscount.com - Not for Resale

CARBURETOR

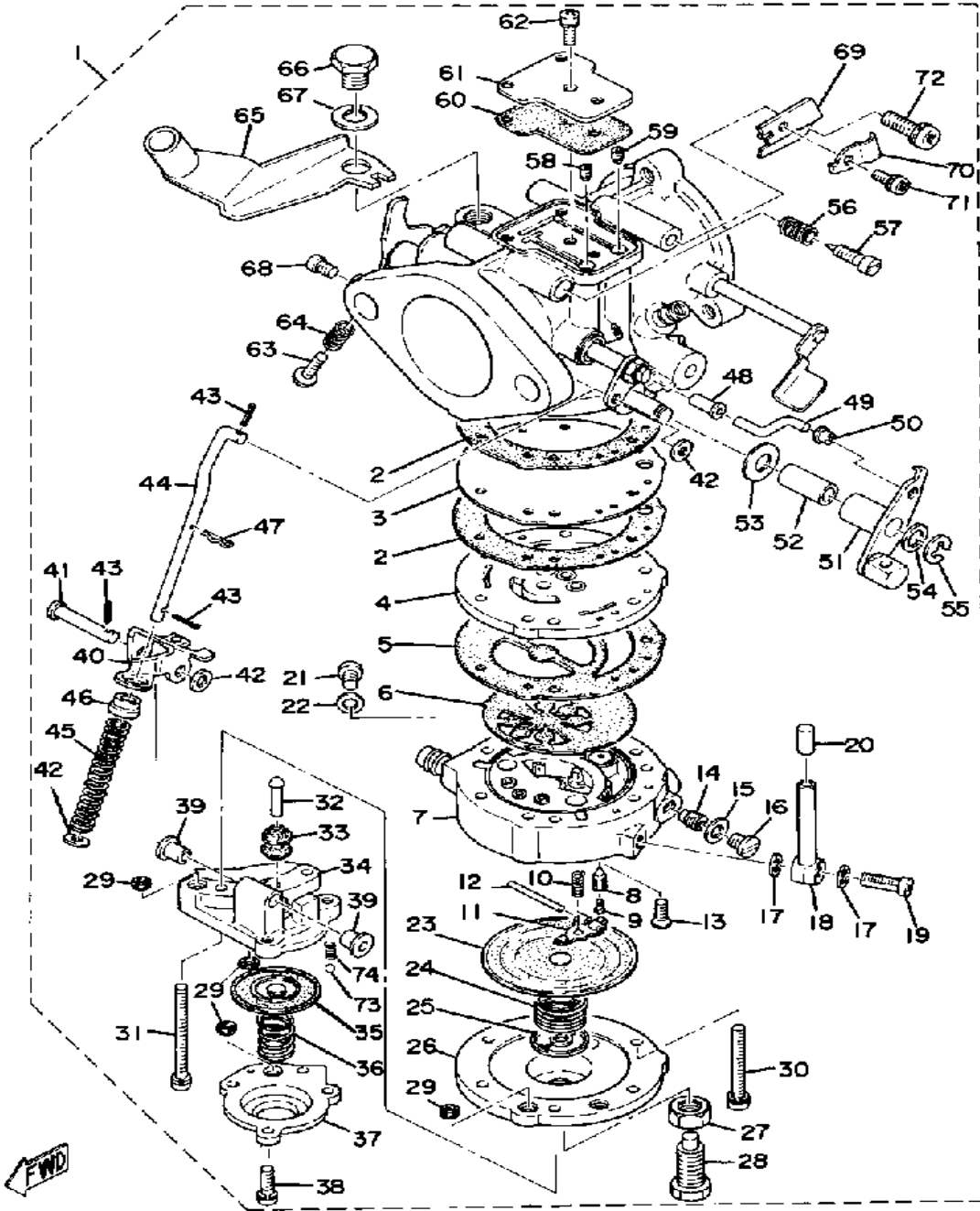


Ref. No.	Part Number	Description	Qty	Remarks
1	8E4-14501-00-00	CARBURETOR ASSEMBLY 1	1	
2	890-14536-00-00	. GASKET	2	
3	890-14541-00-00	. DIAPHRAGM, PUMP	1	
4	(890-14542-00-00)	BODY, PUMP 1	1	
5	865-14553-01-00	. GASKET	1	
6	806-14552-01-00	. VALVE, CHECK	1	
7	(890-14543-00-00)	BODY, PUMP 2	1	
8	838-14546-00-00	. VALVE, NEEDLE	1	
9	676-14186-00-00	. PIN, FLOAT	1	
10	810-14556-00-00	. SPRING	1	
11	(810-14547-00-00)	ARM, FLOAT	1	
12	(806-14548-00-00)	PIN, FLOAT ARM	1	
13	98702-03008-00	. SCREW, FLAT HEAD	1	
14	(888-14516-90-00)	JET, MAIN #1 0	1	
15	(810-14558-00-00)	WASHER	1	
16	(845-14567-00-00)	SCREW	1	
17	806-14559-00-00	. WASHER	2	
18	810-14197-02-00	. PIPE, AIRVENT	1	
19	8A1-14592-00-00	. SCREW	1	
20	810-24462-01-00	. CAP, BLIND	1	
21	(806-14567-01-00)	SCREW	1	
22	810-14597-00-00	. WASHER	1	
23	810-14545-00-00	. DIAPHRAGM	1	
24	90501-06213-00	. SPRING, COMPRESSION	1	
25	(810-14136-00-00)	SEAT, SPRING	1	
26	(866-14544-00-00)	BODY, PUMP 3	1	
27	95303-08700-00	. NUT	1	
28	884-14565-01-00	. SCREW, STOP	1	
29	866-14561-00-00	. O-RING	6	

CONTINUED ON NEXT FRAME ➤

Property of www.SmallEngineDiscount.com - Not for Resale

CARBURETOR

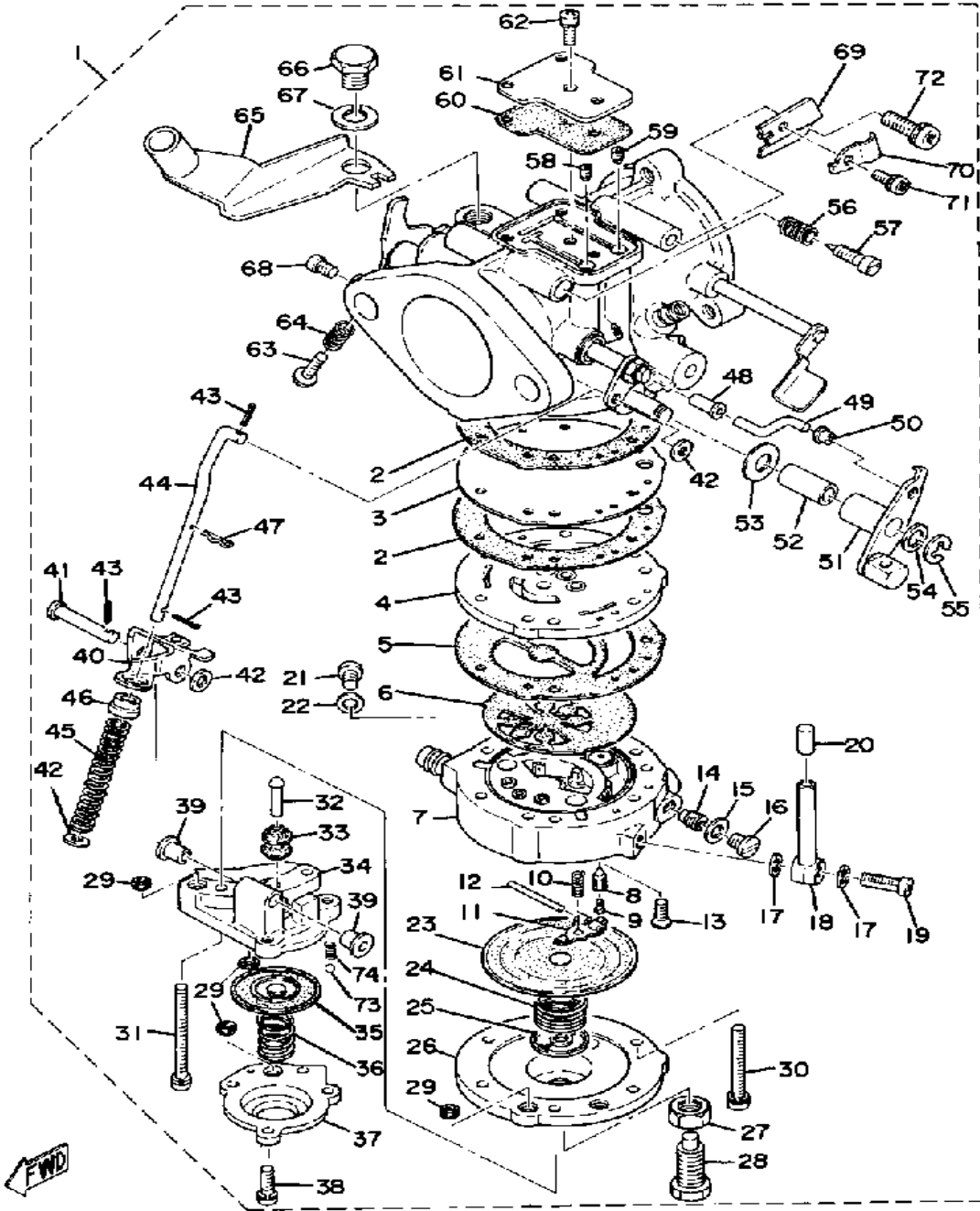


Ref. No.	Part Number	Description	Qty	Remarks
30	(824-14567-00-00)	SCREW	4	
31	(858-14567-00-00)	SCREW	2	
32	866-14548-00-00	. PIN, FLOAT ARM	1	
33	(866-14967-00-00)	COVER	1	
34	(866-14551-00-00)	BODY, PUMP 4	1	
35	(8A1-14545-00-00)	DIAPHRAGM	1	
36	(90501-07341-00)	SPRING, COMPRESSION	1	
37	(866-14540-00-00)	COVER, FUEL	1	
38	(90159-05006-00)	SCREW, WITH WASHER	4	
39	(866-14578-00-00)	COLLAR	2	
40	(866-14528-00-00)	ARM	1	
41	(866-14554-00-00)	PIN, LEVER	1	
42	90201-08410-00	. WASHER, PLATE	3	
43	91490-12012-00	. PIN, COTTER	3	
44	(890-14577-00-00)	ROD	1	
45	890-14589-00-00	. SPRING	1	
46	(866-14535-00-00)	COLLAR	1	
47	(866-14579-00-00)	SPRING	1	
48	(865-14535-00-00)	COLLAR	1	
49	(865-14577-00-00)	ROD	1	
50	865-14534-00-00	. COLLAR	1	
51	(8E3-14573-00-00)	LEVER	1	
52	(806-14534-00-00)	COLLAR	1	
53	90202-07055-00	. WASHER, PLATE	1	
54	90202-06056-00	. WASHER, PLATE	1	
55	99080-05600-00	. CIRCLIP	1	
56	(90501-10237-00)	SPRING, COMPRESSION	1	
57	(865-14522-00-00)	SCREW, ADJUST	1	
58	865-14515-48-00	. JET #48 (#48)	1	

CONTINUED ON NEXT FRAME ➤

Property of www.SmallEngineDiscount.com - Not for Resale

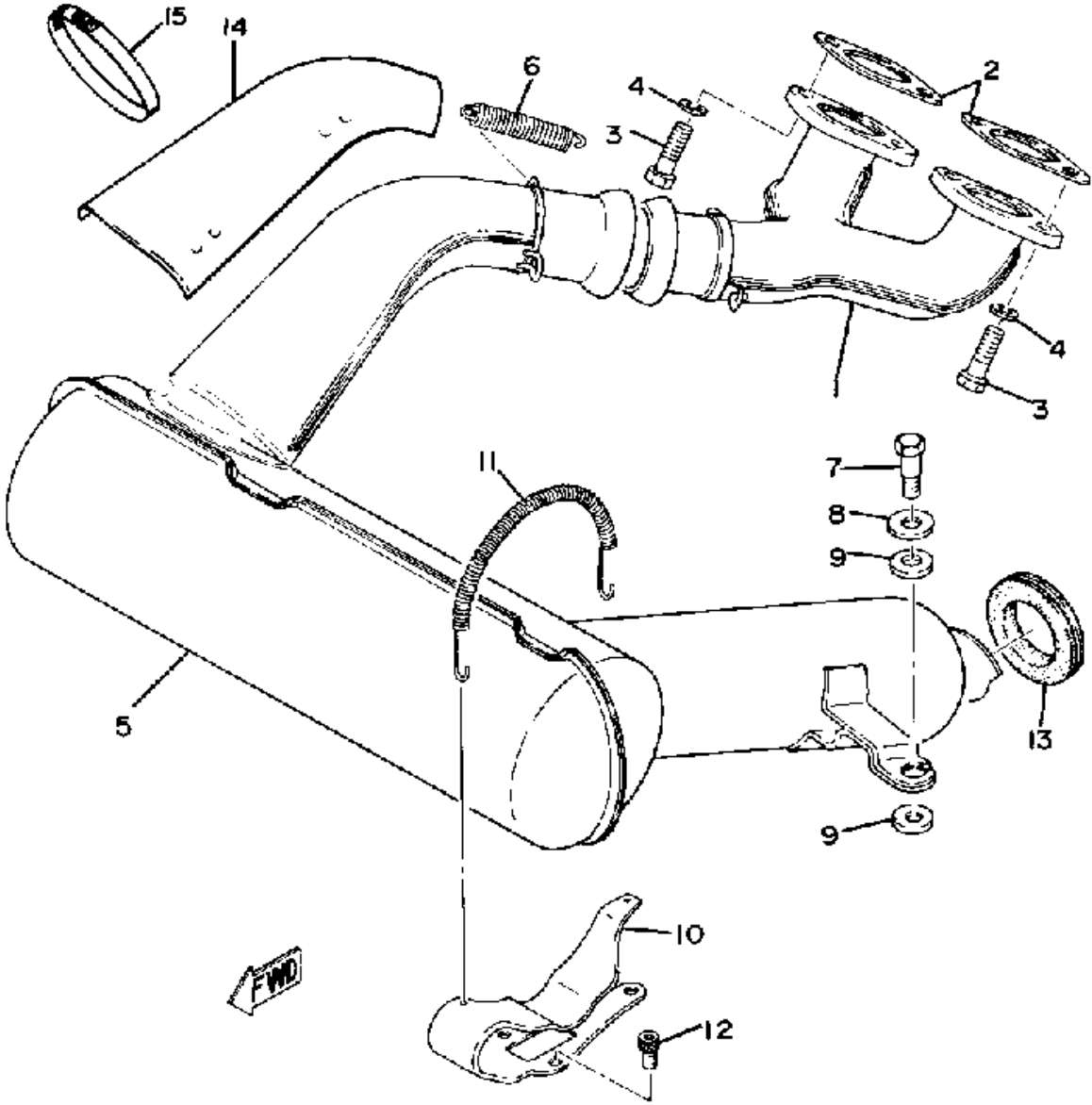
CARBURETOR



Ref. No.	Part Number	Description	Qty	Remarks
59	(890-14515-95-00)	JET # 5	1	
60	(865-14537-00-00)	GASKET	1	
61	(8A1-14527-00-00)	PLATE	1	
62	90159-05005-00	. SCREW, WITH WASHER	1	
63	(8A1-14523-00-00)	SCREW, STOP	1	
64	90501-12229-00	. SPRING, COMPRESSION	1	
65	865-14571-01-00	. BRACKET, THROTTLE	1	
66	97313-08012-00	. BOLT	1	
67	92990-08100-00	. WASHER	1	
68	98580-04008-00	. SCREW, PAN HEAD	1	
69	(8A1-14580-00-00)	PLATE, STAY	1	
70	879-14581-00-00	. BRACKET	1	
71	(90159-04008-00)	SCREW, WITH WASHER	1	
72	90159-05005-00	. SCREW, WITH WASHER	1	
73	(93501-08028-00)	BALL 1 8	2	
74	8E4-14589-00-00	. SPRING	1	

Property of www.SmallEngineDiscount.com - Not for Resale

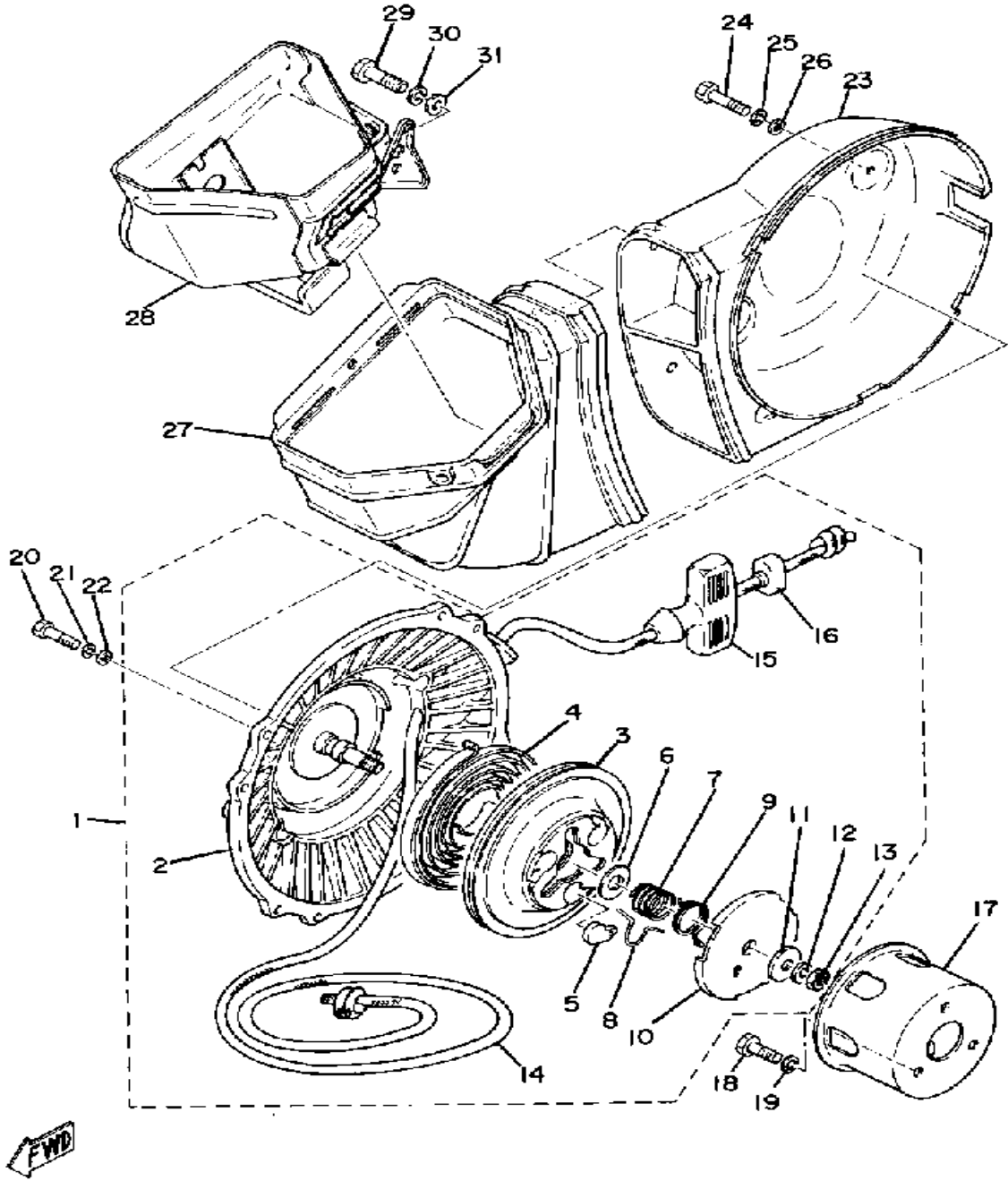
EXHAUST



Ref. No.	Part Number	Description	Qty	Remarks
1	(828-14610-00-00)	EXHAUST PIPE ASSEMBLY L . .	1	
2	821-14613-01-00	GASKET, EXHAUST PIPE	2	
3	97013-08025-00	BOLT	4	
4	92990-08100-00	WASHER	4	
5	(8A1-14710-01-00)	MUFFLER ASSEMBLY L	1	
6	821-14773-00-00	SPRING, MUFFLER	2	
7	(90109-08403-00)	BOLT	1	
8	90201-12190-00	WASHER, PLATE	1	
9	865-14757-00-00	DAMPER, MUFFLER 2	2	
10	(8A1-14771-00-00)	STAY, MUFFLER 1	2	
11	90506-16130-00	SPRING, TENSION	2	
12	90110-06145-00	BOLT, HEX.SOCKET	4	
13	865-14718-01-00	PROTECTOR, MUFF 1 (865-14718-00)	1	
14	(8E4-14718-01-00)	PROTECTOR, MUFF 1	1	
15	(90460-90121-00)	CLAMP, HOSE	2	

Property of www.SmallEngineDiscount.com - Not for Resale

STARTER

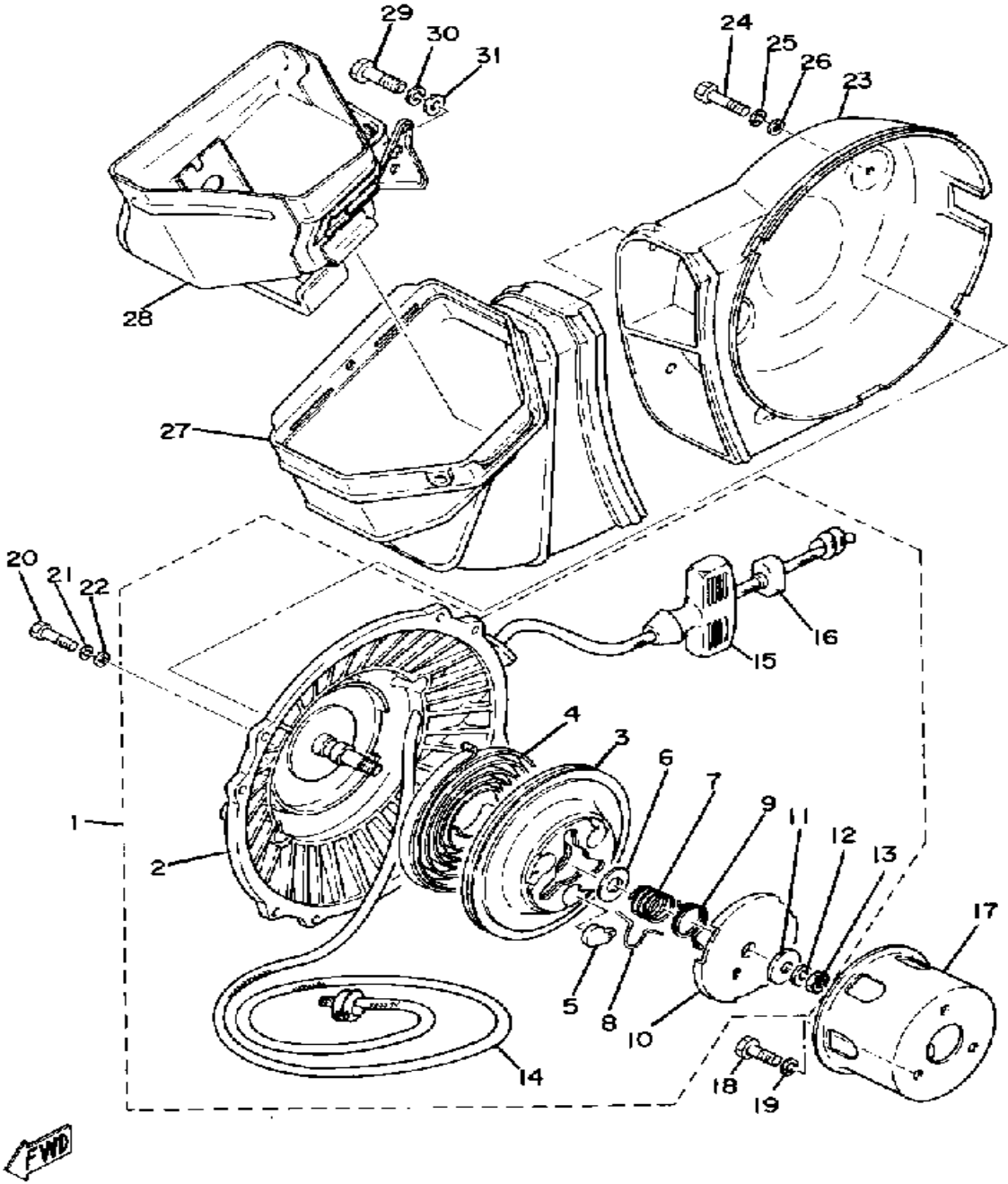


Ref. No.	Part Number	Description	Qty	Remarks
1	8G6-15710-00-00	STARTER ASSEMBLY	1	
2	8A1-15711-00-00	. CASE, STARTER	1	
3	857-15714-00-00	. DRUM, SHEAVE	1	
4	8Y0-15713-00-00	. SPRING, STARTER	1	
5	616-15741-01-00	. PAWL, DRIVE	3	
6	(802-15726-00-00)	WASHER, FLAT	1	
7	626-15715-01-00	. SPRING, DRIVE PLATE (807-15715-00)	1	
8	811-15784-00-00	. SPRING, RETURN	3	
9	811-15734-00-00	. SPRING, RETURN	1	
10	811-15716-00-00	. PLATE, DRIVE	1	
11	807-15726-01-00	. WASHER, FLAT	1	
12	92990-08100-00	. WASHER	1	
13	95311-05700-00	. NUT	1	
14	(807-15751-00-00)	ROPE, STARTER	1	
15	807-15755-00-00	. HANDLE, STARTER	1	
16	(8A1-15758-00-00)	GUIDE, ROPE	1	
17	8A1-15723-00-00	PULLEY, STARTER	1	
18	97313-08018-00	BOLT, HEXAGON (97301-08016)	3	
19	92990-08100-00	WASHER	3	
20	97016-06020-00	BOLT	4	
21	92906-06100-00	WASHER, SPRING	4	
22	92906-06600-00	WASHER	4	
23	8A1-15471-01-00	DUCT, AIR	1	
24	97013-06012-00	BOLT	2	
25	92995-06100-00	WASHER, SPRING	2	
26	90201-06067-00	WASHER, PLATE	2	
27	(8A1-15473-00-00)	DUCT, AIR	1	
28	(8A1-15475-00-00)	DUCT, AIR	1	

CONTINUED ON NEXT FRAME ►

Property of www.SmallEngineDiscount.com - Not for Resale

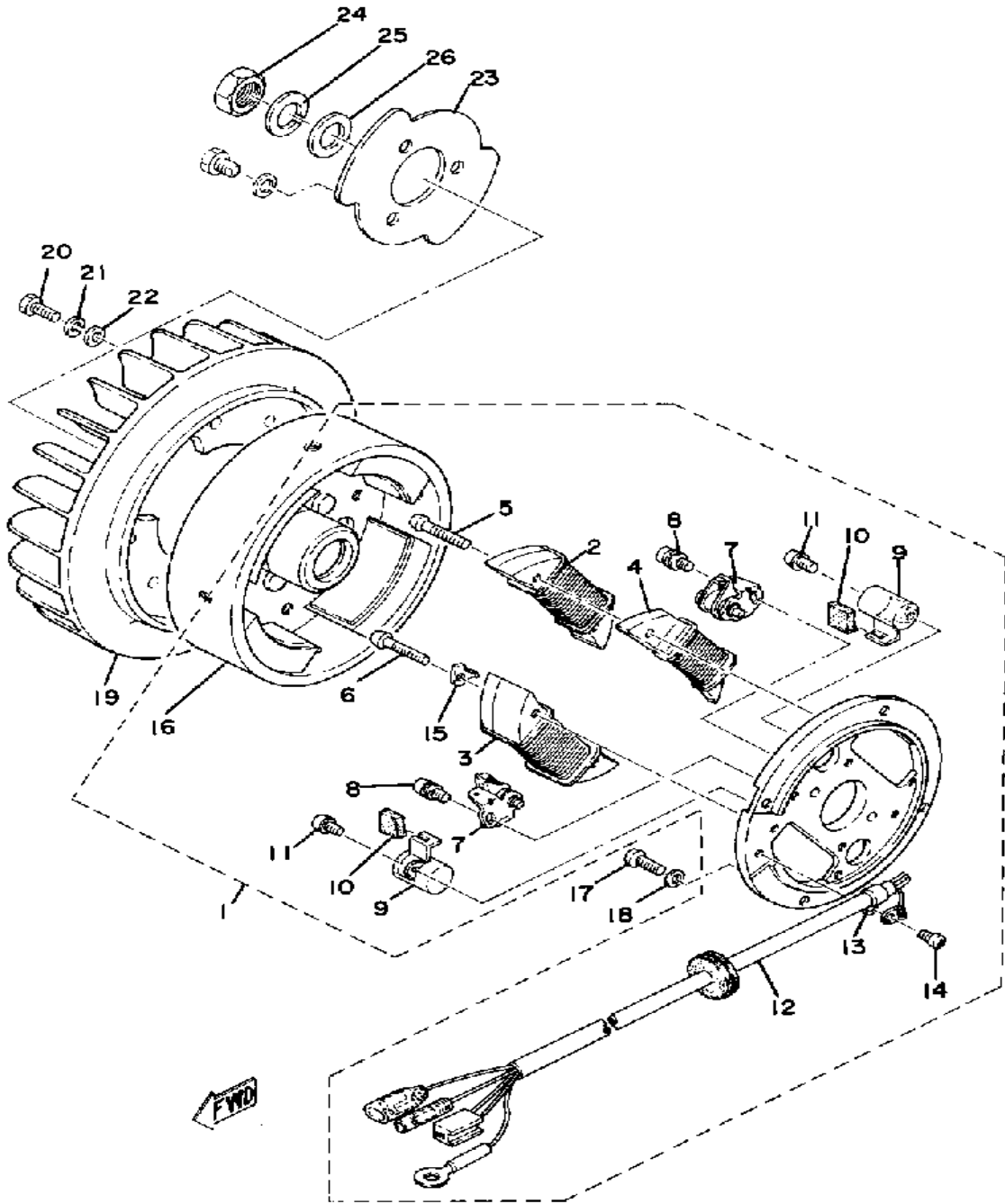
STARTER



Ref. No.	Part Number	Description	Qty	Remarks
29	97313-06040-00	BOLT, HEXAGON	1	
30	92995-06100-00	WASHER, SPRING	1	
31	92901-06600-00	WASHER	1	

Property of www.SmallEngineDiscount.com - Not for Resale

FLYWHEEL MAGNETO

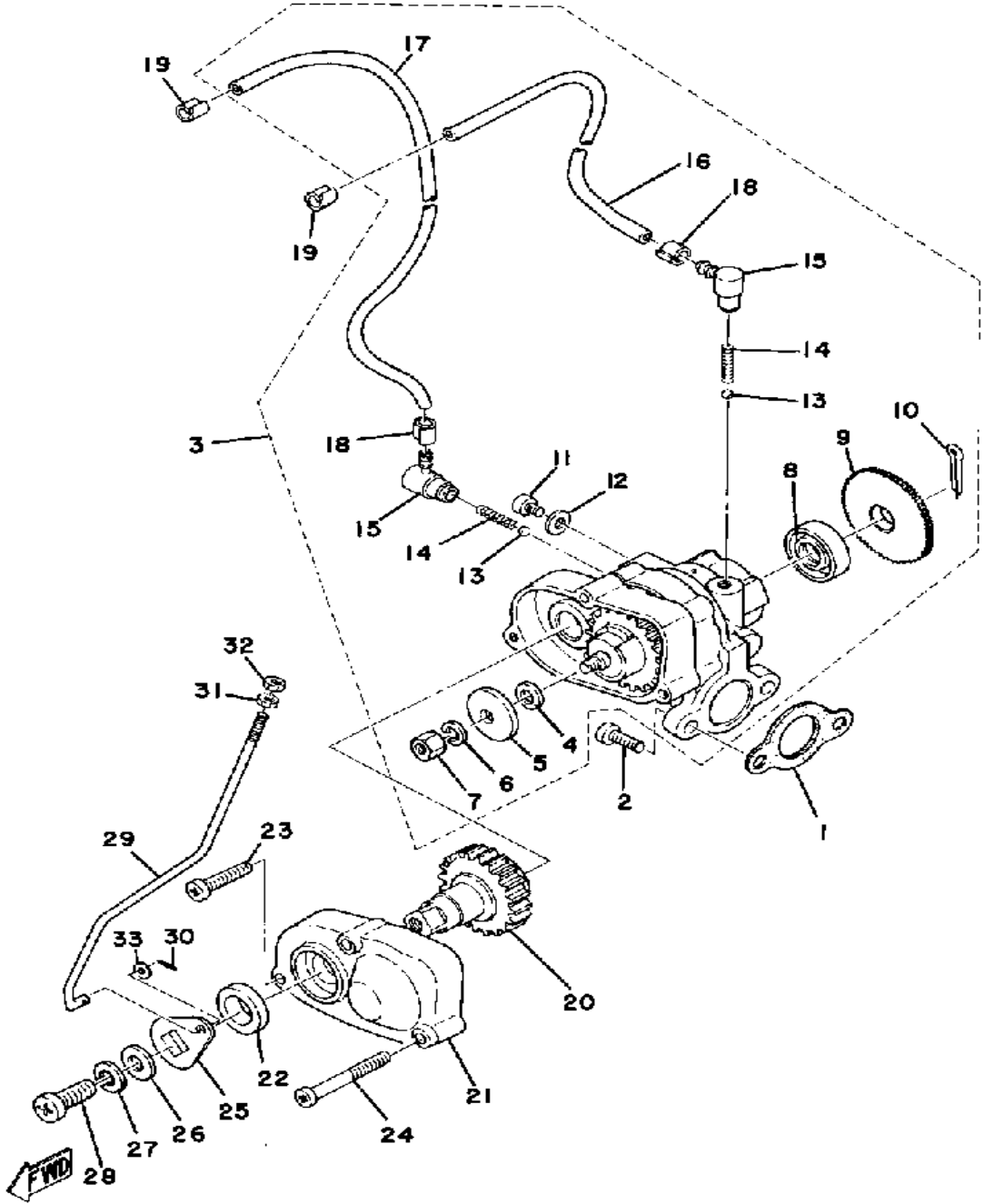


Ref. No.	Part Number	Description	Qty	Remarks
1	(8A0-81300-20-00)	FLYWHL MAGNETO ASSEMBLY	1	
2	8A0-81312-20-00	. COIL, SOURCE	1	
3	(8A0-81313-20-00)	COIL, LIGHTING 1	1	
4	(8A0-81314-20-00)	COIL, LIGHTING 2	1	
5	98501-05035-00	. SCREW, PAN HEAD	2	
6	98501-05030-00	. SCREW, PAN HEAD	2	
7	806-81321-20-00	. CONTACT BRKR ASSEMBLY	2	
8	110-81346-21-00	. SCREW, PAN HEAD	2	
9	8A0-81325-20-00	. CONDENSER 1	2	
10	116-81331-20-00	. LUBRICATOR	2	
11	110-81346-21-00	. SCREW, PAN HEAD	2	
12	(8A0-81315-20-00)	LEAD WIRE ASSEMBLY	1	
13	(810-81328-20-00)	CLAMP	1	N/A
14	98580-04008-00	. SCREW, PAN HEAD	1	
15	(812-81332-20-00)	PLATE, TIMING	1	
16	(838-81350-20-00)	ROTOR ASSEMBLY	1	
17	98503-06014-00	SCREW, PAN HEAD (92502-06016)	4	
18	92901-06600-00	WASHER	4	
19	838-12611-00-00	FAN	1	
20	90101-06127-00	BOLT	6	
21	92995-06100-00	WASHER, SPRING	6	
22	90201-06M08-00	WASHER, PLATE	6	
23	(812-81362-00-00)	COVER, HOLE	1	
24	90170-16182-00	NUT	1	
25	92901-16100-00	WASHER, SPRING	1	
26	90201-16247-00	WASHER, PLATE (807-11557-00)	1	

Property of www.SmallEngineDiscount.com - Not for Resale

OIL PUMP

Ref. No.	Part Number	Description	Qty	Remarks
1	3MT-13116-00-00	GASKET, PUMP CASE (8Y0-13116-00)	1	
2	98580-05016-00	SCREW, PAN HEAD	2	
3	(8A1-13101-00-00)	OIL PUMP ASSEMBLY	1	
4	137-13137-00-03	. SHIM (0.3T)	1	
	137-13137-00-05	. SHIM (0.5T)	1	
	137-13137-00-10	. SHIM (1.0T)	1	
5	137-13138-01-00	. PLATE, ADJUSTING	1	
6	92990-05100-00	. WASHER, SPRING	1	
7	95380-05600-00	. NUT	1	
8	93101-10090-00	. OIL SEAL	1	
9	(137-13128-00-00)	PLATE, STARTER	1	
10	91401-12018-00	. PIN, COTTER	1	
11	98901-04008-00	. SCREW, BIND	1	
12	90430-04004-00	. GASKET	1	
13	93505-32002-00	. BALL	2	
14	90501-02018-00	. SPRING, COMPRESSION	2	
15	353-13552-01-00	. NOZZLE	2	
16	90445-05019-00	. HOSE	1	
17	90445-052F5-00	. HOSE	1	
18	90468-02033-00	. CLIP	2	
19	90468-02033-00	CLIP	2	
20	(838-13154-01-00)	GEAR, PUMP CONTROL	1	
21	(859-13146-00-00)	COVER, AJST PULLEY	1	
22	93104-12043-00	OIL SEAL, SO-TYPE (SO-12-20-4)	1	
23	98501-04020-00	SCREW, PAN HEAD	1	
24	98501-04035-00	SCREW, PAN HEAD	2	
25	(812-13156-00-00)	LEVER, PUMP CONTROL	1	

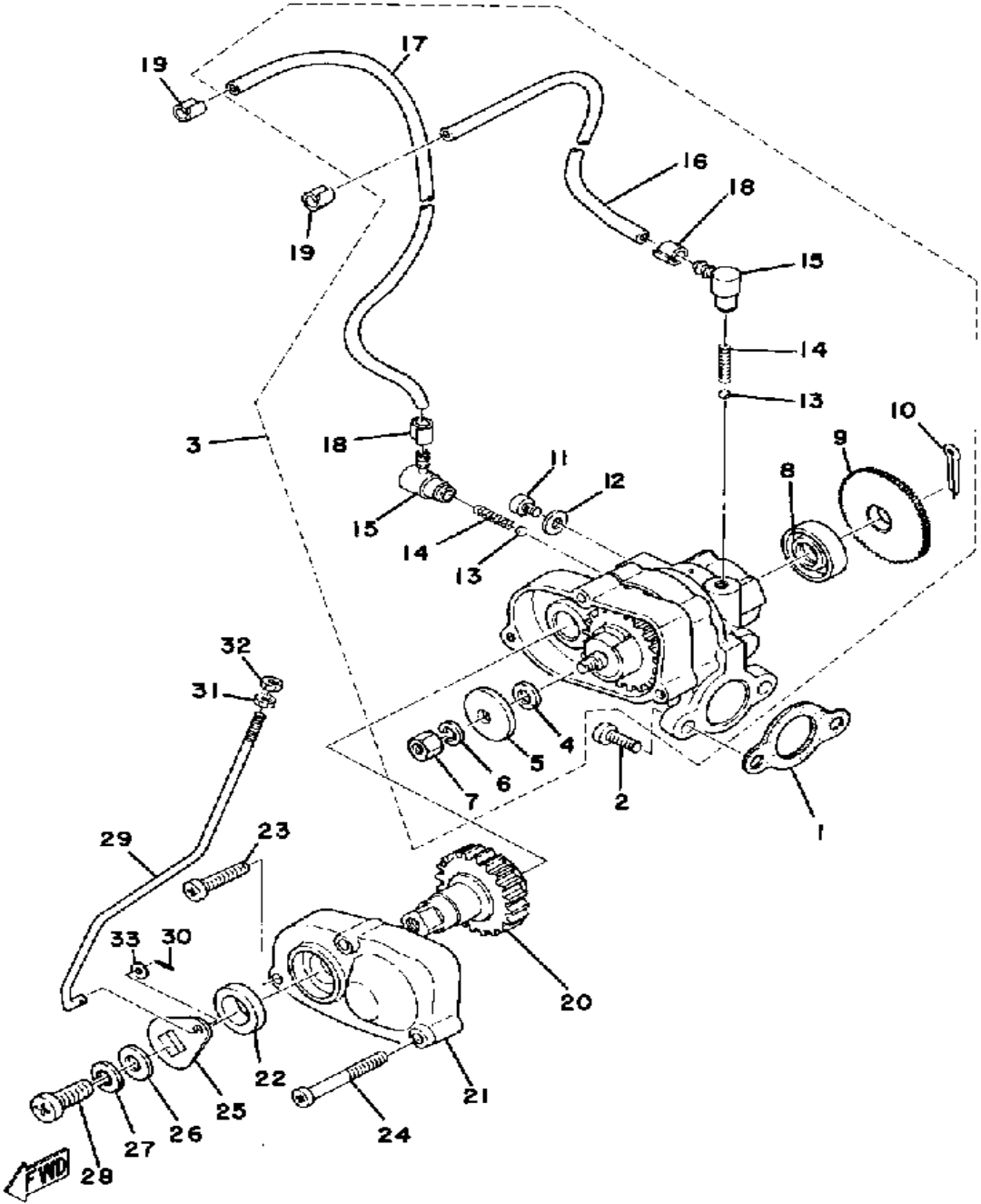


CONTINUED ON NEXT FRAME ►

Property of www.SmallEngineDiscount.com - Not for Resale

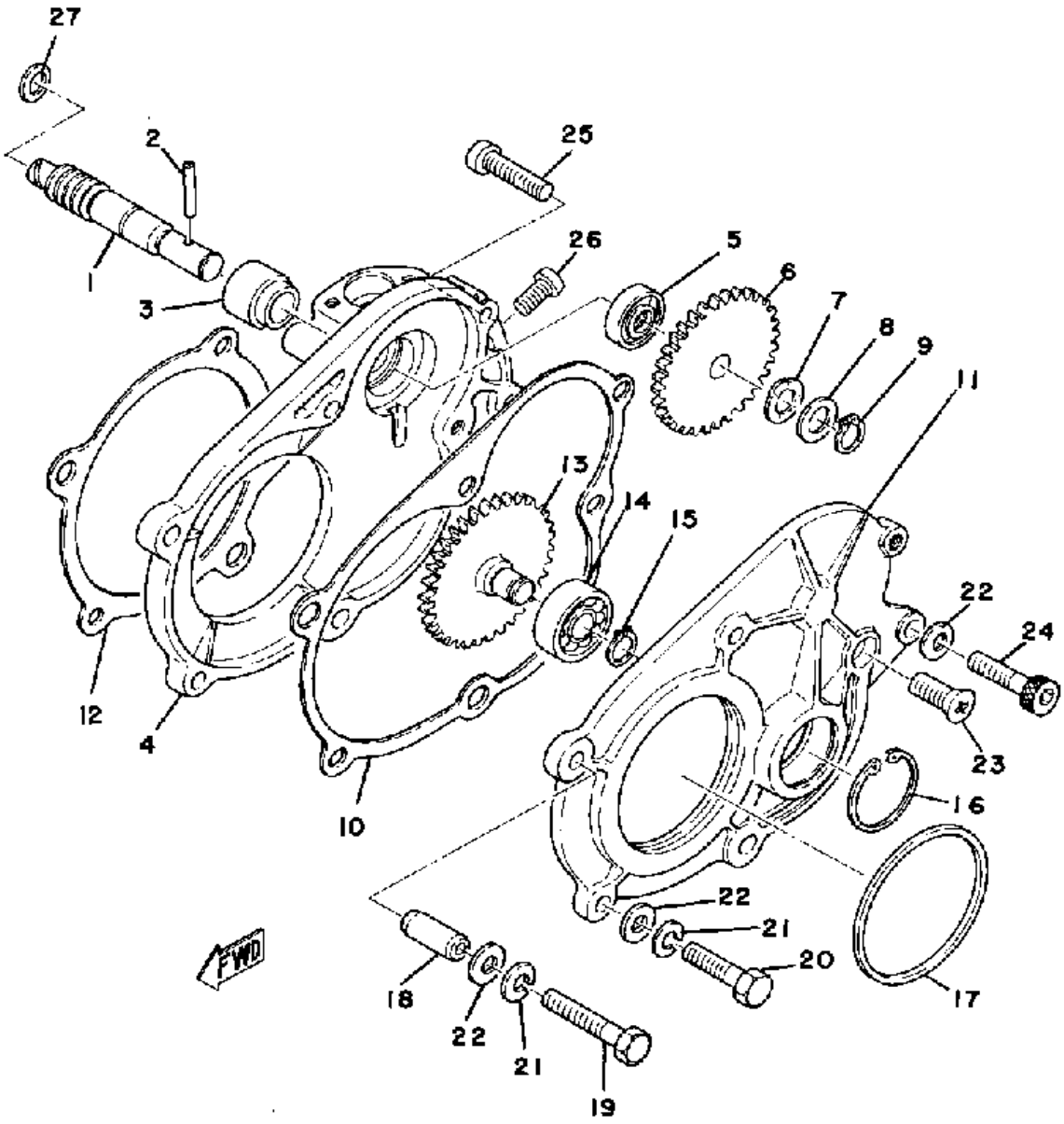
OIL PUMP

Ref. No.	Part Number	Description	Qty	Remarks
26	92901-06600-00	WASHER	1	
27	92995-06100-00	WASHER, SPRING	1	
28	98503-06014-00	SCREW, PAN HEAD (92502-06016)	1	
29	(885-13157-00-00)	ROD, PUMP CONTROL	1	
30	91490-12012-00	PIN, COTTER	1	
31	90170-03008-00	NUT, HEXAGON (807-13139-00)	1	
32	90185-03007-00	NUT, SELF-LOCKING (838-13139-00)	1	
33	90201-04014-00	WASHER, PLATE (322-21747-00)	1	



Property of www.SmallEngineDiscount.com - Not for Resale

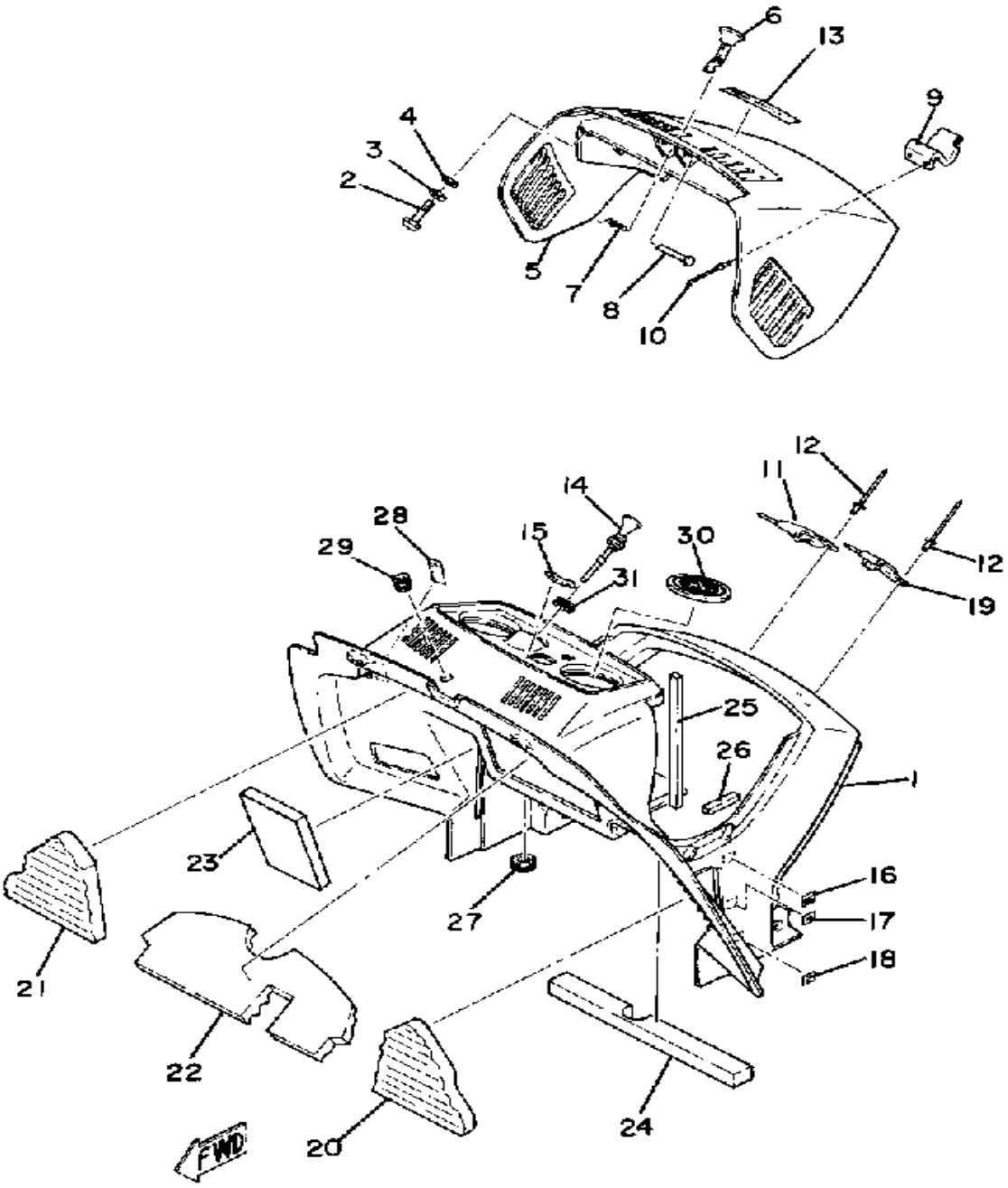
PUMP DRIVE GEAR



Ref. No.	Part Number	Description	Qty	Remarks
1	866-13175-00-00	SHAFT, WORM	1	
2	93603-22028-00	PIN, DOWEL	1	
3	821-13176-00-00	METAL, WORM SHAFT OUTER	1	
4	(8E3-15416-00-00)	COVER, OIL PUMP	1	
5	93101-10090-00	OIL SEAL	1	
6	821-13188-00-00	GEAR, DRIVE (32T)	1	
7	90206-11016-00	WASHER, WAVE	1	
8	137-13148-00-00	PLATE, CAM THRUST	1	
9	99009-10400-00	CIRCLIP	1	
10	859-15466-00-00	GASKET 2	1	
11	838-15426-00-00	COVER, OIL PUMP R	1	
12	838-15456-00-00	GASKET, O/PMP CVR 1	1	
13	(821-13179-00-00)	GEAR, IDLE	1	
14	93306-00002-00	BEARING (B6000RS)	1	
15	99009-10400-00	CIRCLIP	1	
16	93420-26024-00	CIRCLIP, R-TYPE (R-26)	1	
17	(838-13119-00-00)	SEAL, GREASE	1	
18	91810-18022-00	PIN, DOWEL	2	
19	97013-06035-00	BOLT	2	
20	97011-06025-00	BOLT (97001-06025)	2	
21	92995-06100-00	WASHER, SPRING	4	
22	92901-06600-00	WASHER	5	
23	98701-06014-00	SCREW, FLAT HEAD	1	
24	91316-06025-00	BOLT	1	
25	98511-06025-00	SCREW PAN HEAD (92501-06025)	1	
26	98580-06012-00	SCREW, PAN HEAD	1	
27	90201-08624-00	WASHER, PLATE	1	

Property of www.SmallEngineDiscount.com - Not for Resale

ENGINE COWL

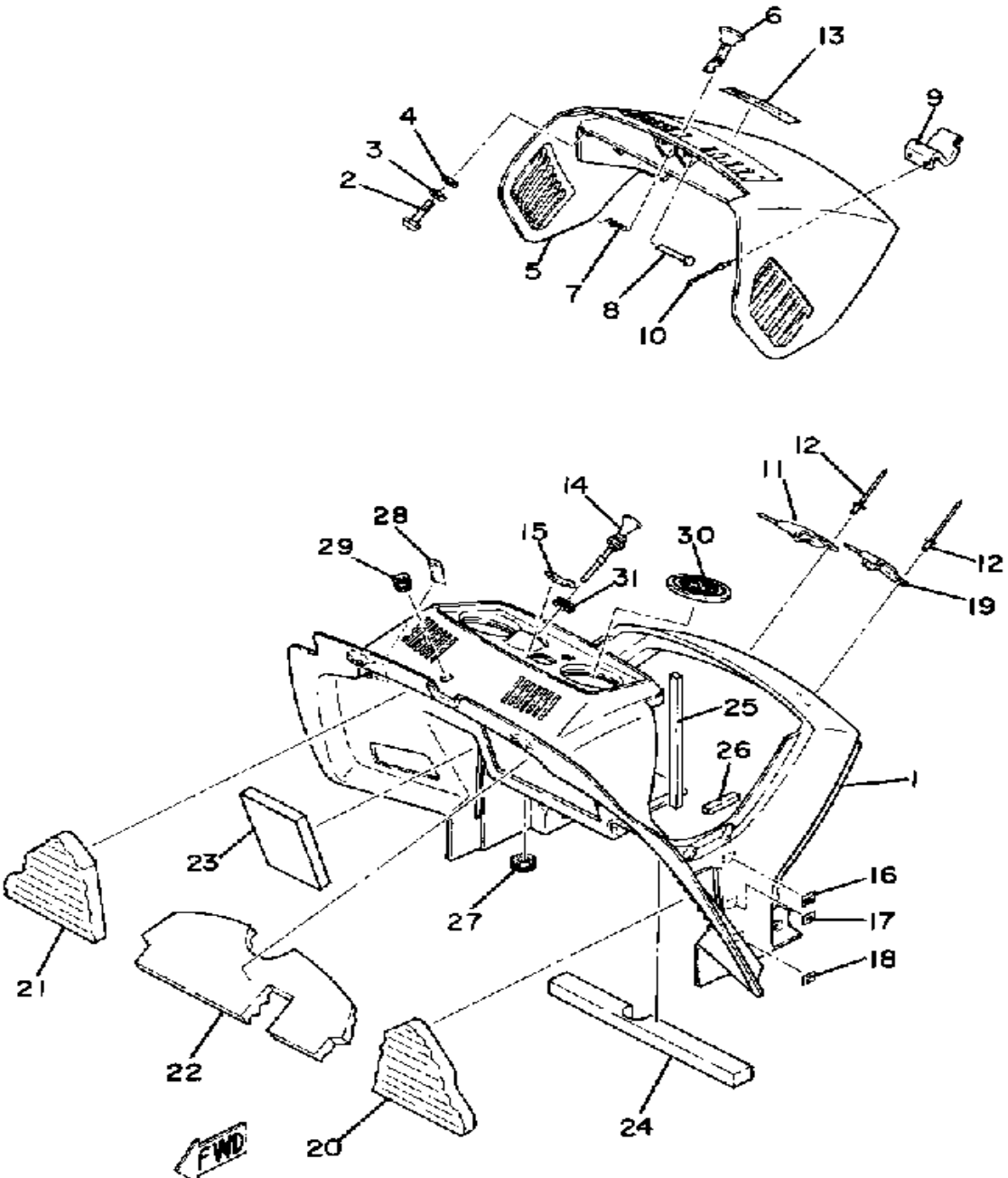


Ref. No.	Part Number	Description	Qty	Remarks
1	(8A1-77411-00-00)	COWL, ENGINE	1	
2	97016-06016-00	BOLT	2	
3	92995-06100-00	WASHER, SPRING	2	
4	92901-06600-00	WASHER	2	
5	8A1-77425-00-00	LID, ENGINE COWL	1	
6	841-77491-00-00	KNOB, LATCH	1	
7	90508-08006-00	SPRING, TORSION	1	
8	90243-04004-00	PIN	1	
9	(8A1-77478-00-00)	HINGE 3	4	
10	90267-40054-00	RIVET, BLIND	4	
11	(8A1-77476-01-00)	HINGE 2	1	
12	90267-40029-00	RIVET, BLIND	4	
13	(8A1-77351-00-00)	EMBLEM 1	1	
14	8A1-26331-00-00	CABLE, STARTER 1	1	
15	(878-77741-00-00)	INDICATOR 1	1	
16	8A1-77743-00-00	INDICATOR 3	1	
17	8A1-77744-00-00	INDICATOR 4	1	
18	878-77745-00-00	INDICATOR 5	1	
19	8A1-77475-01-00	HINGE 1	1	
20	(8A1-77272-00-00)	DAMPER, NOISE 2	1	
21	(8A1-77273-00-00)	DAMPER, NOISE 3	1	
22	(8A1-77274-00-00)	DAMPER, NOISE 4	1	
23	(8A1-77275-00-00)	DAMPER, NOISE 5	2	
24	(8A1-77276-00-00)	DAMPER, NOISE 6	1	
25	(8A1-77277-00-00)	DAMPER, NOISE 7	2	
26	(8A1-77278-00-00)	DAMPER, NOISE 8	2	
27	90480-20170-00	GROMMET	1	
28	(8A1-77742-00-00)	INDICATOR 2	1	
29	90480-13018-00	GROMMET	1	

CONTINUED ON NEXT FRAME ➤

Property of www.SmallEngineDiscount.com - Not for Resale

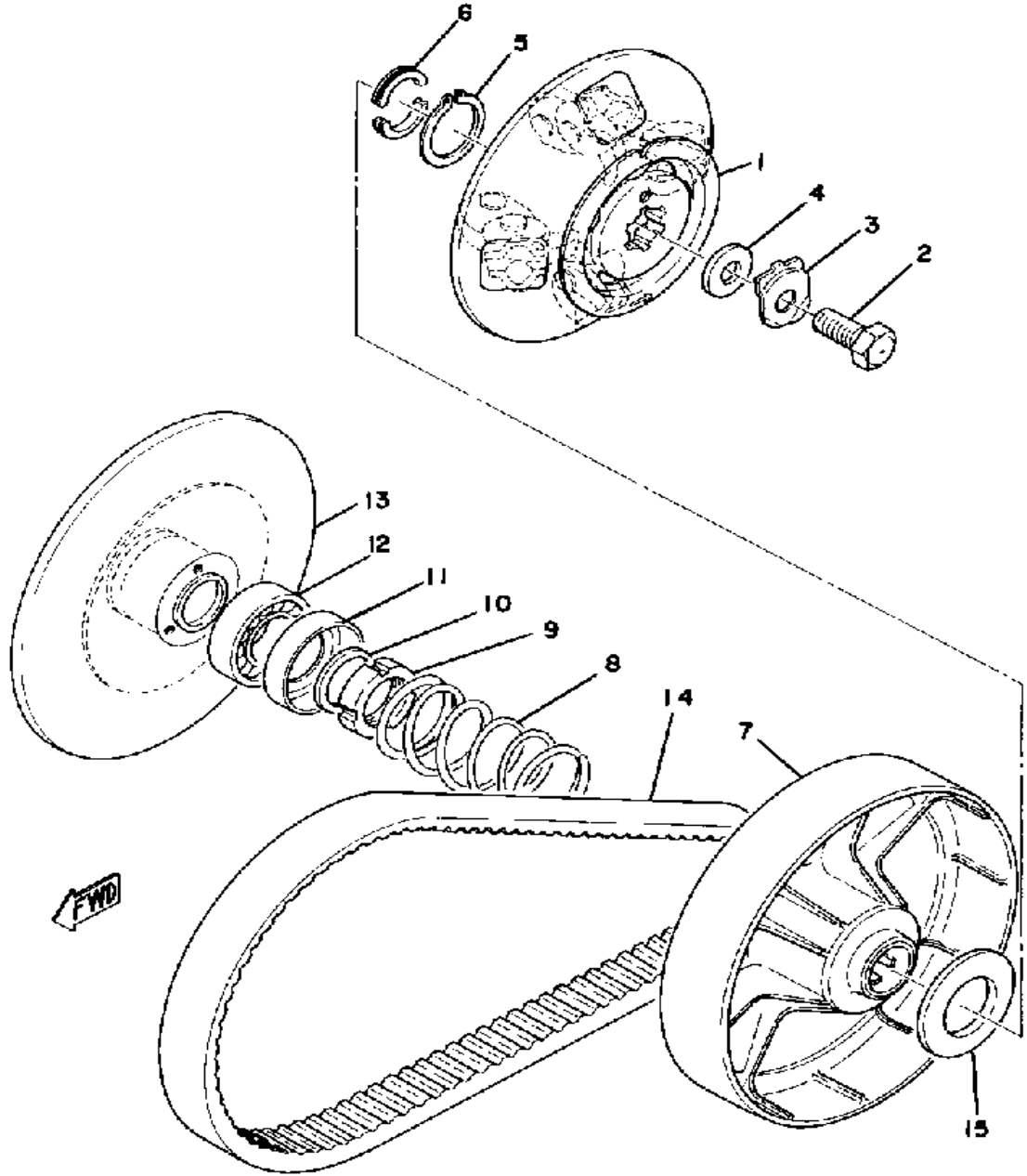
ENGINE COWL



Ref. No.	Part Number	Description	Qty	Remarks
30	(861-77715-00-00)	ORMNT, INSTR PNL 1	1	
31	8E4-77431-00-00	GROMMET 1	1	

Property of www.SmallEngineDiscount.com - Not for Resale

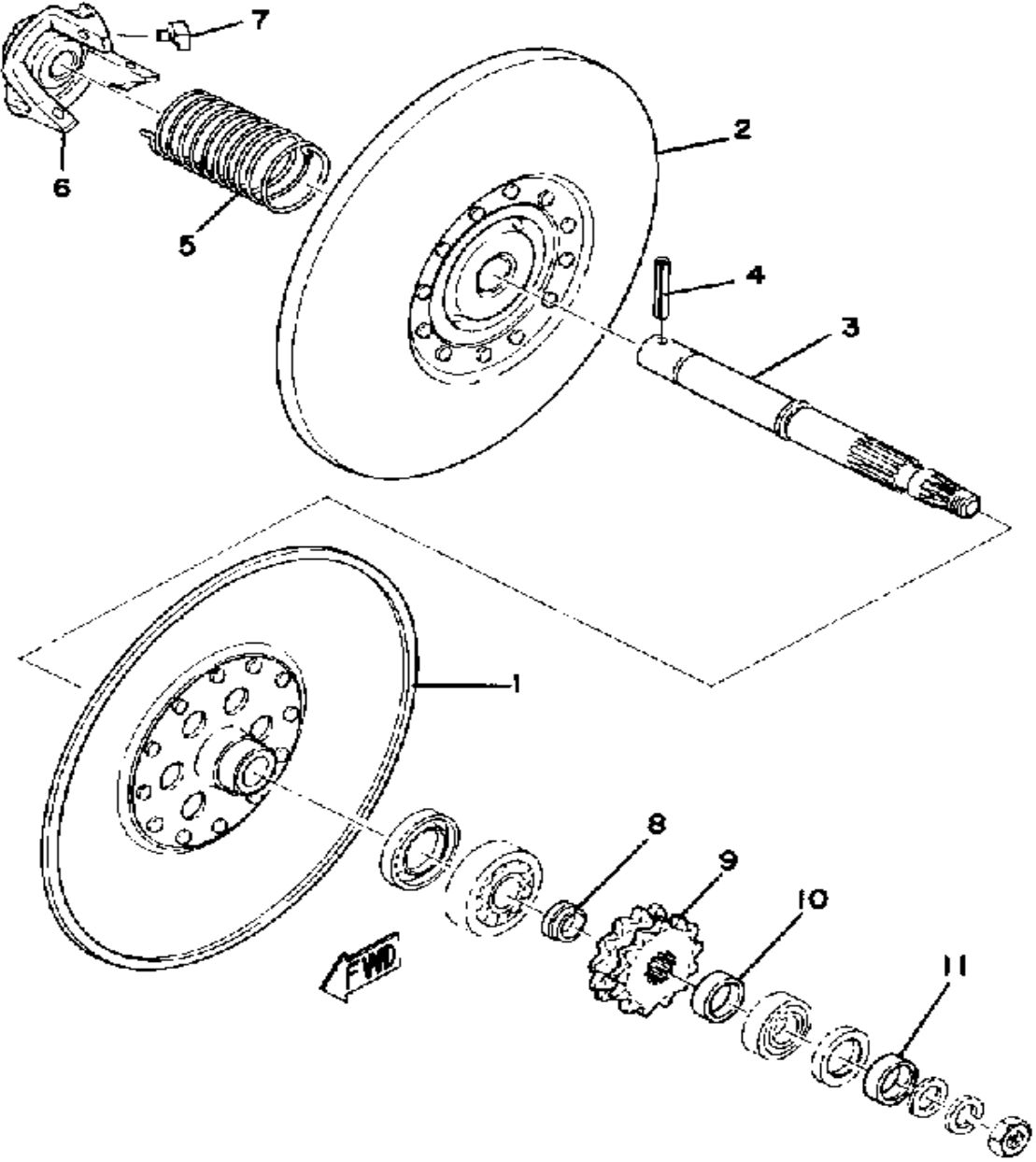
PRIMARY SHEAVE



Ref. No.	Part Number	Description	Qty	Remarks
1	8F8-W1762-00-00	PRI. SHEAVE CAP (864-17630-01)	1	
2	(838-17647-01-00)	BOLT	1	
3	90215-12084-00	WASHER, LOCK	1	
4	90201-12191-00	WASHER, PLATE	1	
5	99009-30400-00	CIRCLIP	1	
6	806-17645-00-00	COLLAR	2	
7	864-17620-00-00	PRI SLIDG SHEAVECOMP.	1	
8	90501-50372-00	SPRING, COMPRESSION	1	PAINTED RED/YELLOW
9	(810-17642-00-00)	NUT, BEARING	1	
10	90208-28003-00	WASHER, CONICAL SPR	1	
11	806-17644-00-00	SEAT, SPRING	1	
12	93306-20567-00	BEARING	1	
13	8F2-17641-01-00	V-BELT	1	
14	8F2-17641-01-00	V-BELT	1	
15	823-17623-00-00	CAM	1	

Property of www.SmallEngineDiscount.com - Not for Resale

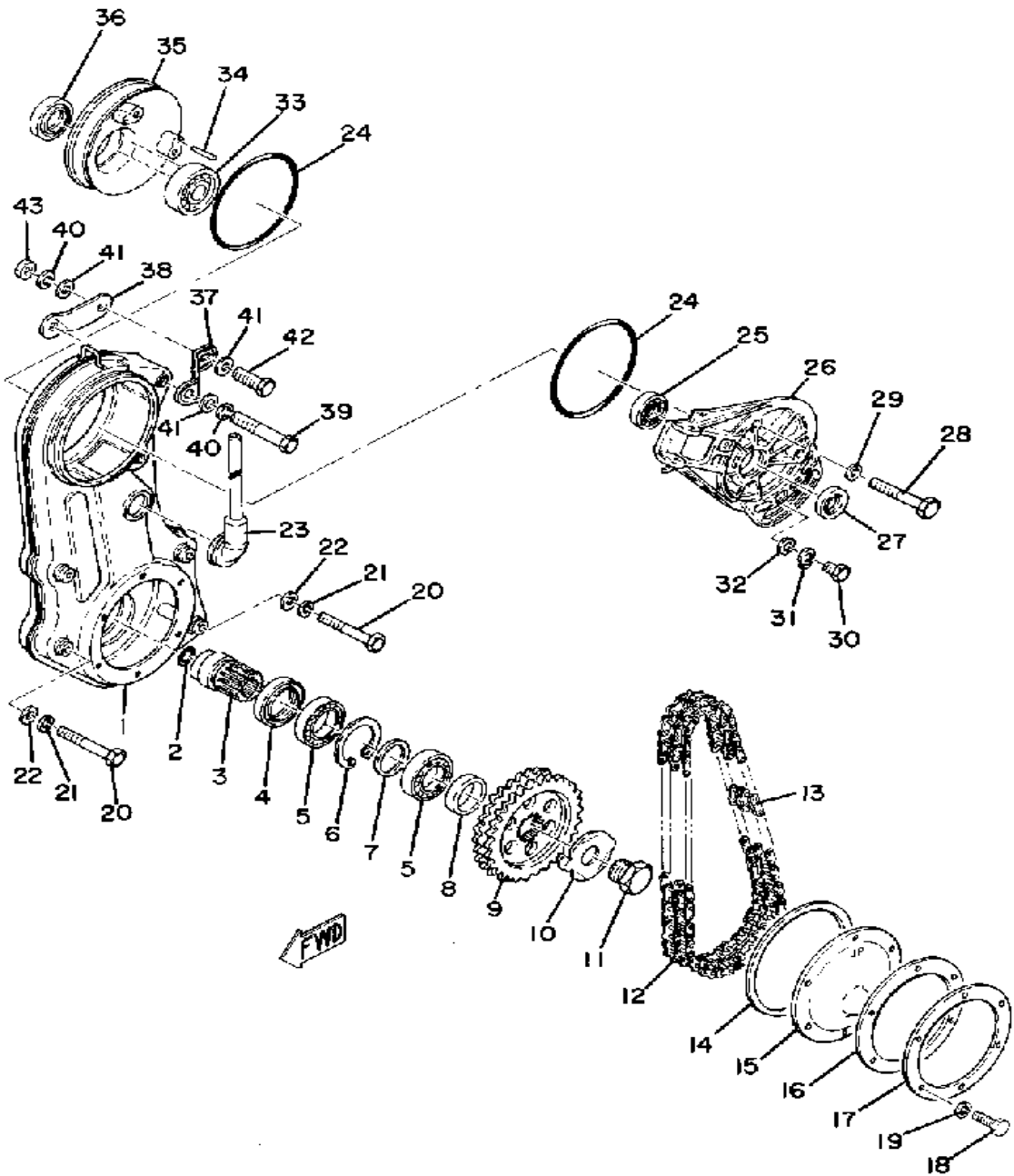
SECONDARY SHEAVE



Ref. No.	Part Number	Description	Qty	Remarks
1	(899-17660-00-00)	SEC FXD SHV	1	
2	(899-17670-00-00)	SEC SLIDING SHEAVE	1	
3	(810-17681-00-00)	SHAFT, SECONDARY	1	
4	90254-08001-00	PIN, SPRING TYPE	1	
5	90508-38144-00	SPRING, TORSION	1	PAINTED YELLOW
6	810-17684-01-00	SEAT, SEC SPRINGSRING ..	1	
7	801-17688-10-00	SHOE, RAMP	3	
8	801-17688-10-00	SHOE, RAMP	1	
9	(810-17682-50-00)	SPRKT, CHAIN DR 15T	1	U.R
	802-17682-10-00	SPROCKET, CHAIN DRIVE (10T)	1	U.R
	802-17682-20-00	SPROCKET, CHAIN DRIVE (11T)	1	U.R
	802-17682-40-00	SPRKT, CHAIN DR 13TCHAIN DRIVE (13T) (806-17682-30-0) .	1	U.R
	806-17682-20-00	SPROCKET, CHAIN DRIVE (12T)	1	U.R
	806-17682-40-00	SPROCKET, CHAIN DRIVE (14T)	1	U.RSTD
10	90387-17133-00	COLLAR	1	
11	90387-17130-00	COLLAR (818-17686-00)	1	

Property of www.SmallEngineDiscount.com - Not for Resale

TRACK DRIVE

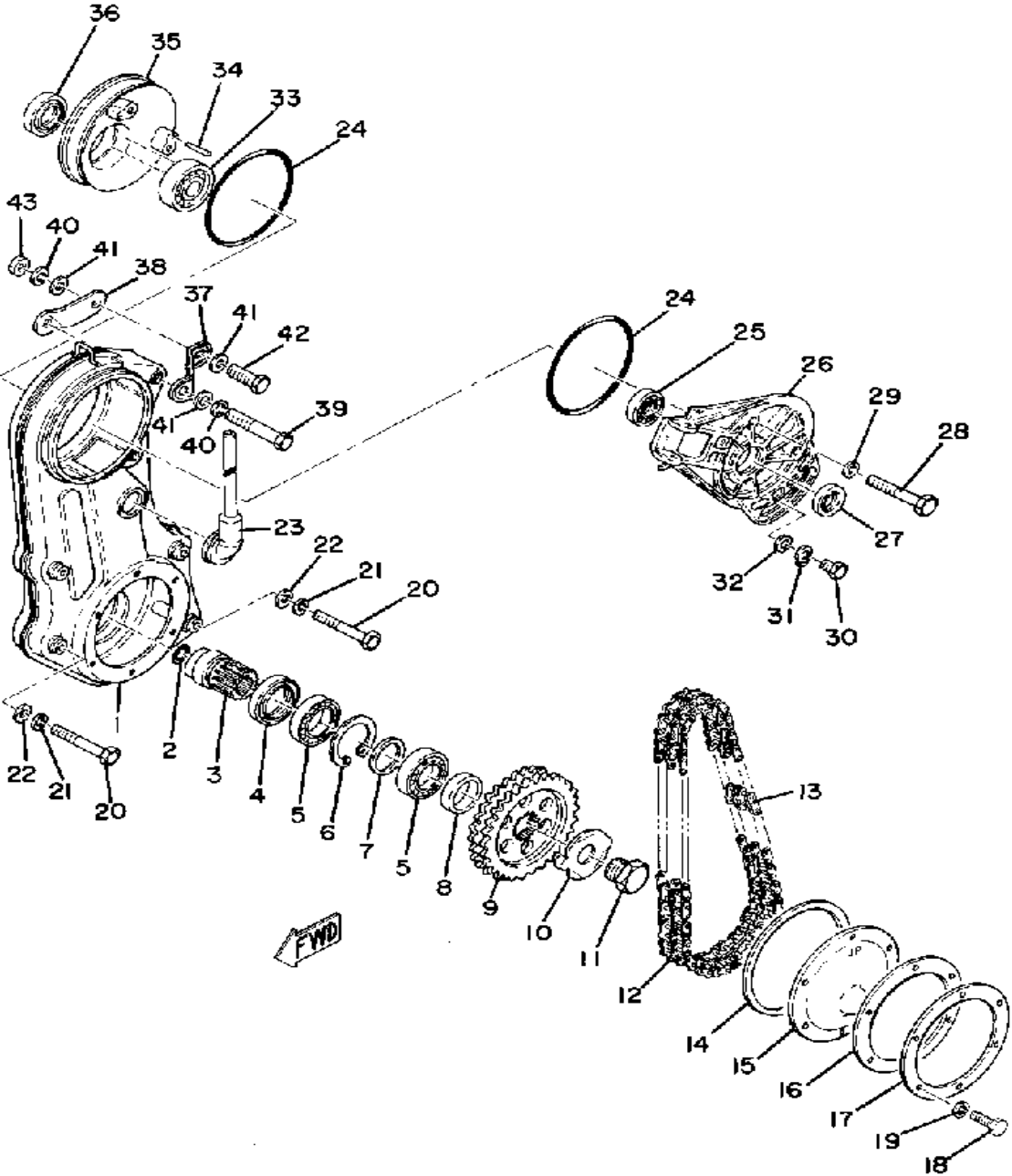


Ref. No.	Part Number	Description	Qty	Remarks
1	(844-47541-00-00)	HOUSING, CHAIN	1	
2	93210-25070-00	O-RING	1	
3	(841-47571-00-00)	JOURNAL 1	1	
4	93102-40080-00	OIL SEAL, SD-TYPE	1	
5	93306-90702-00	BEARING	2	
6	93420-55028-00	CIRCLIP, R-TYPE	1	
7	90560-35050-00	SPACER	1	
8	90387-35206-00	COLLAR	1	
9	(802-47548-40-00)	SPROCKET, CHN DRVN	1	U.R
	(802-47548-60-00)	SPROCKET, CHN DRVN	1	U.RSTD
	802-47548-50-00	SPROCKET, CHN DRVN	1	U.R
10	90215-24029-00	WASHER, LOCK	1	
11	90109-24203-00	BOLT	1	
12	94804-25068-00	CHAIN	1	U.R
	94804-25068-00	CHAIN	1	U.RSTD
13	94904-25001-00	. JOINT CHAIN	1	
14	(806-47558-00-00)	RING, HOUSING	1	
15	(821-47543-00-00)	CAP, HOUSING	1	
16	821-47544-00-00	GASKET	1	
17	(821-47591-00-00)	PLATE	1	
18	90143-05004-00	SCREW, HEXAGON	6	
19	90210-05005-00	WASHER, SEAL	6	
20	97021-08070-00	BOLT	4	
21	92990-08100-00	WASHER	4	
22	92901-08600-00	WASHER	4	
23	(861-47559-00-00)	CAP 2	1	
24	93211-13109-00	O-RING	2	
25	93306-20310-00	BEARING	1	
26	845-47561-01-00	HOUSING, SEC SHAFT	1	

CONTINUED ON NEXT FRAME ➤

Property of www.SmallEngineDiscount.com - Not for Resale

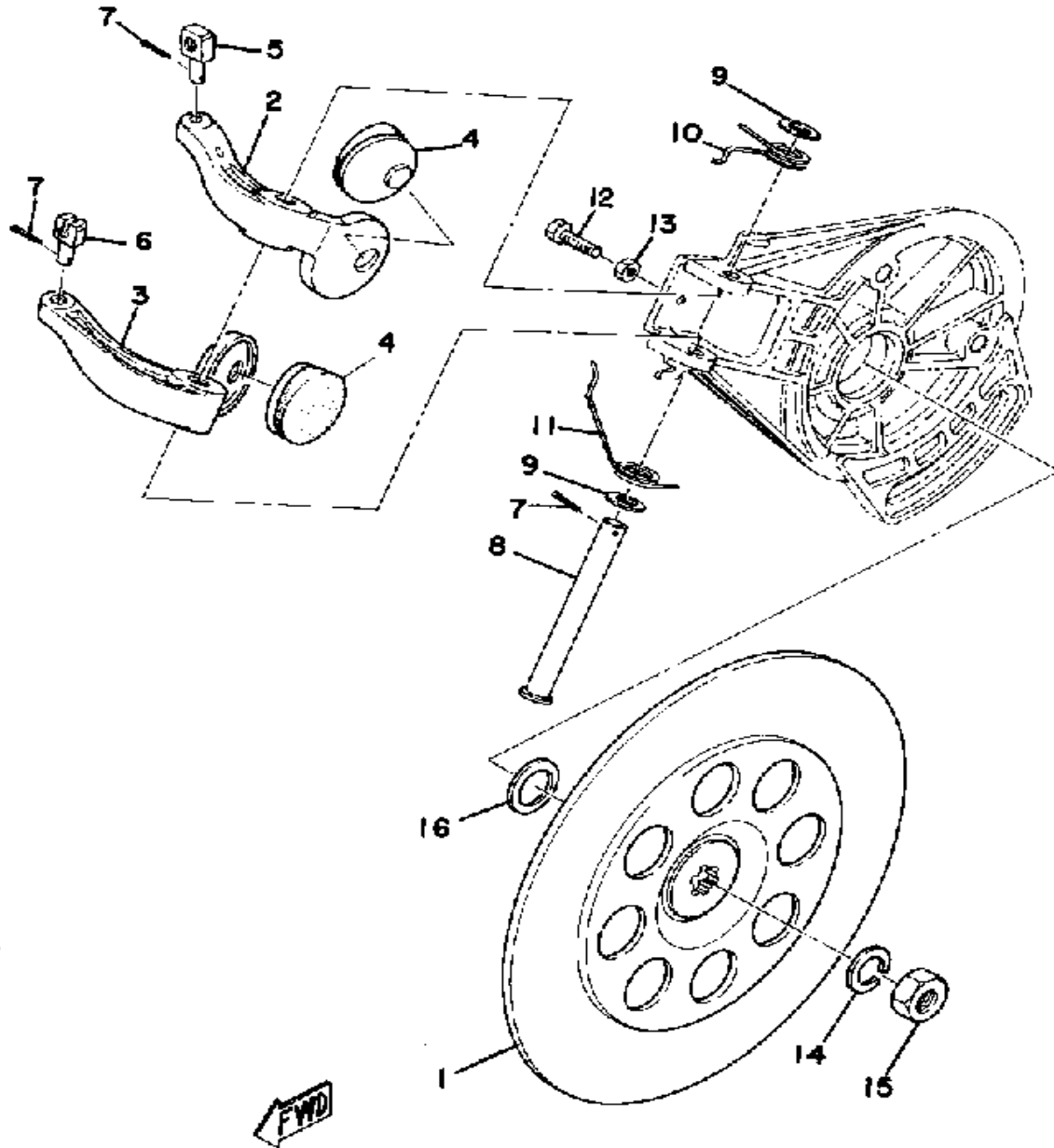
TRACK DRIVE



Ref. No.	Part Number	Description	Qty	Remarks
27	93102-22087-00	OIL SEAL	1	
28	97013-08060-00	BOLT (663)	2	
29	90210-08002-00	WASHER, SEAL	2	
30	97313-08018-00	BOLT, HEXAGON (97301-08016)	1	
31	(90215-08027-00)	WASHER, LOCK	1	
32	92901-08600-00	WASHER	1	
33	93306-30407-00	BEARING (B6304C3)	1	
34	93604-18058-00	PIN, DOWEL	2	
35	810-47562-00-00	HOUSING, SEC SHAFT	1	
36	93102-30083-00	SEAL, OIL	1	
37	(841-47565-00-00)	STAY 1	1	
38	(841-47566-00-00)	STAY 2	1	
39	97021-08070-00	BOLT	1	
40	92990-08100-00	WASHER	2	
41	92901-08600-00	WASHER	3	
42	97313-08035-00	BOLT, HEXAGON	1	
43	95333-08600-00	NUT	1	

Property of www.SmallEngineDiscount.com - Not for Resale

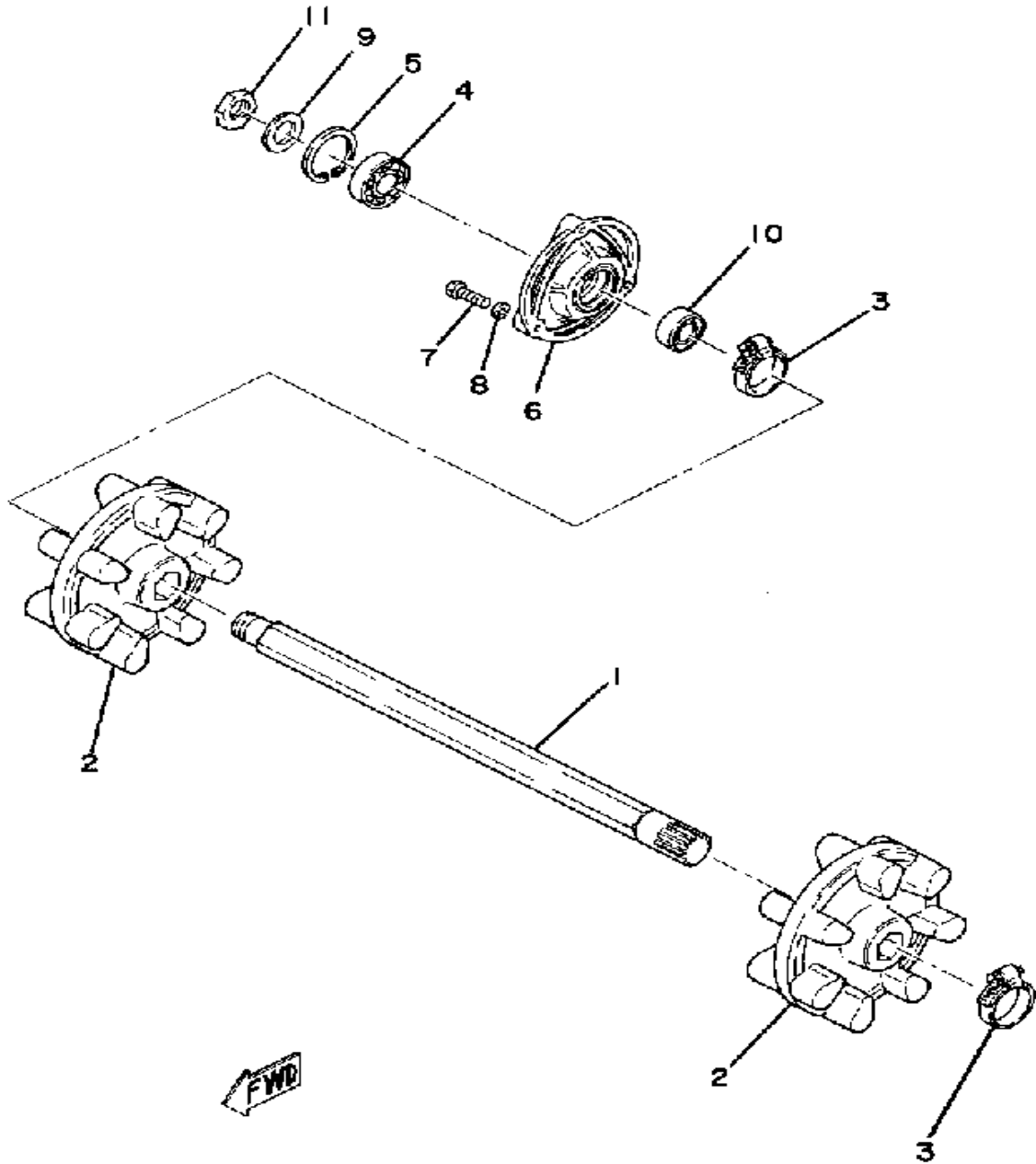
BRAKE



Ref. No.	Part Number	Description	Qty	Remarks
1	(8E4-25711-00-00)	DISC, BRAKE	1	
2	838-25740-00-00	PAD, CALIPER (R.H.)	1	
3	838-25731-00-00	BODY, CALIPER 1	1	
4	(826-25732-09-00)	PAD, CALIPER	2	
5	90249-06012-00	PIN	1	
6	90249-06009-00	PIN	1	
7	91490-20020-00	PIN, COTTER	3	
8	90240-08023-00	PIN, CLEVIS	1	
9	92901-08600-00	WASHER	2	
10	(90508-29045-00)	SPRING, TORSION	1	
11	(90508-29046-00)	SPRING, TORSION	1	
12	97021-05020-00	BOLT	1	
13	95311-05700-00	NUT	1	
14	92901-12100-00	WASHER, SPRING	1	
15	95301-12700-00	NUT (95302-12700)	1	
16	(150-17417-00-03)	SHIM 1		U.R
	(150-17417-00-05)	SHIM 1		U.R
	150-17417-00-02	SHIM 1		U.R

Property of www.SmallEngineDiscount.com - Not for Resale

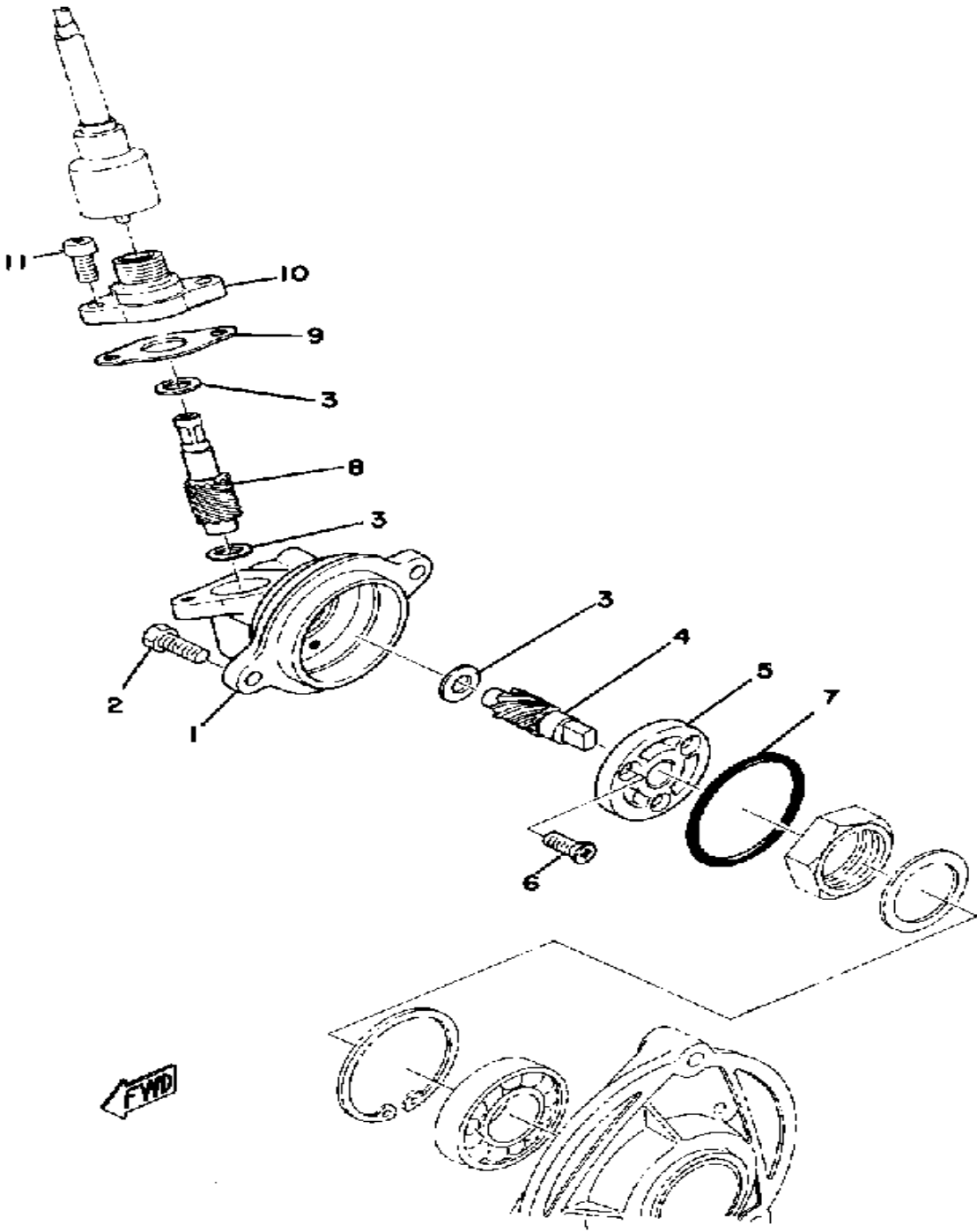
FRONT AXLE



Ref. No.	Part Number	Description	Qty	Remarks
1	8E3-W4751-01-00	AXLE, FRONT	1	
2	8E3-47531-00-00	WHEEL, SPROCKET 1	2	
3	90460-50079-00	CLAMP, HOSE	2	
4	93306-00412-00	BEARING	1	
5	93420-44029-00	CIRCLIP, R-TYPE	1	
6	841-47551-00-00	HOUSING, FRONT AXLE	1	
7	97013-08025-00	BOLT	3	
8	92990-08100-00	WASHER	3	
9	90208-22001-00	WASHER, CONICAL SPRING ..	1	
10	93102-25084-00	OIL SEAL, SD-TYPE	1	
11	90170-22094-00	NUT	1	

Property of www.SmallEngineDiscount.com - Not for Resale

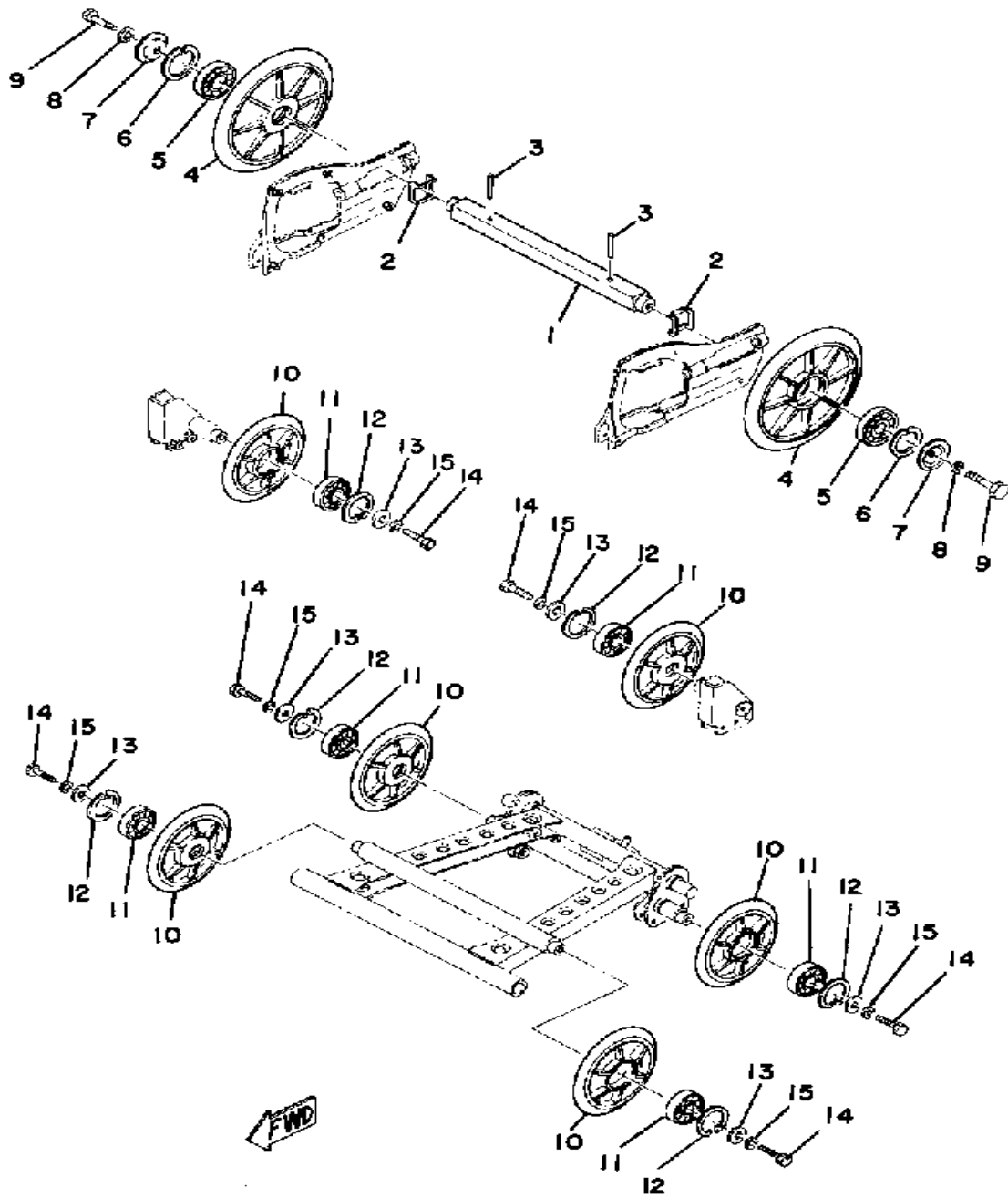
SPEEDOMETER GEAR UNIT



Ref. No.	Part Number	Description	Qty	Remarks
1	8E6-47711-10-00	HOUSING	1	
2	97313-06016-00	BOLT, HEXAGON	2	
3	810-47717-10-00	SHIM	3	
4	810-47731-11-00	GEAR, DRIVE	1	
5	853-47712-10-00	JOURNAL	1	
6	98701-04012-00	SCREW, FLAT HEAD	3	
7	93210-43141-00	O-RING	1	
8	810-47741-11-00	GEAR, DRIVEN (810-47741-10)	1	
9	810-47727-10-00	GASKET	1	
10	8E3-47721-10-00	COVER, HOUSING	1	
11	98580-05012-00	SCREW, PAN HEAD	2	

Property of www.SmallEngineDiscount.com - Not for Resale

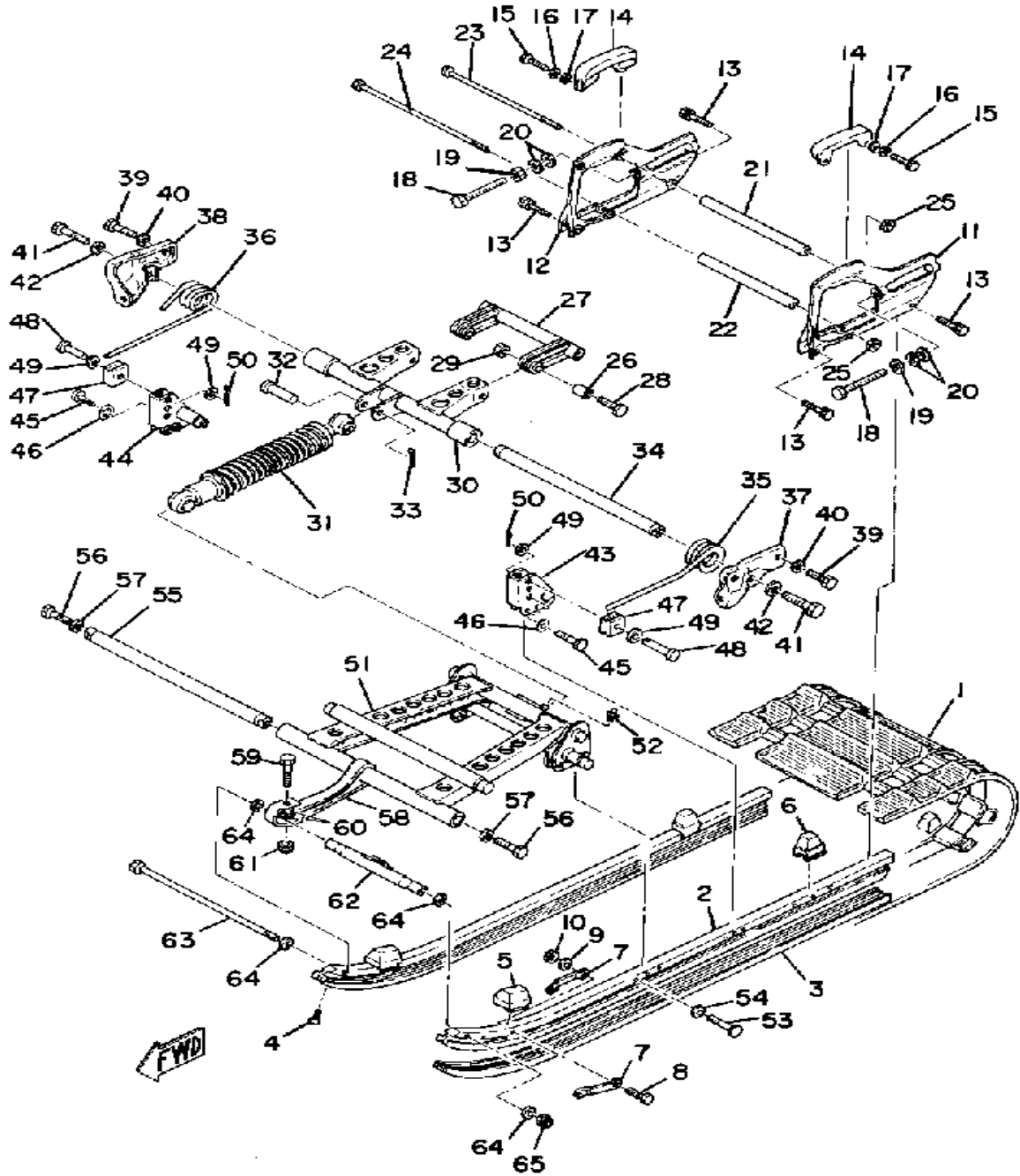
REAR AXLE - WHEEL



Ref. No.	Part Number	Description	Qty	Remarks
1	8E3-47521-00-00	AXLE, REAR	1	
2	8E3-47384-00-00	WASHER	2	
3	91609-40040-00	PIN, SPRING	2	
4	8L4-47530-00-00	GUIDE WHEEL COMP.	2	
5	93306-20417-00	BEARING (B62042RS)	2	
6	99009-47500-00	CIRCLIP	2	
7	90209-08124-00	WASHER, SPEC'L SHAP	2	
8	92990-08100-00	WASHER	2	
9	97313-08020-00	BOLT, HEXAGON	2	
10	885-47320-01-00	SUSPENSION WHEEL COMP.	6	
11	93306-00441-00	BEARING (89A) (B6004RS)	6	
12	99009-42500-00	CIRCLIP	6	
13	90209-06137-00	WASHER, SPEC'L SHAP	6	
14	90109-06464-00	BOLT	6	
15	92995-06100-00	WASHER, SPRING	6	

Property of www.SmallEngineDiscount.com - Not for Resale

TRACK - SUSPENSION

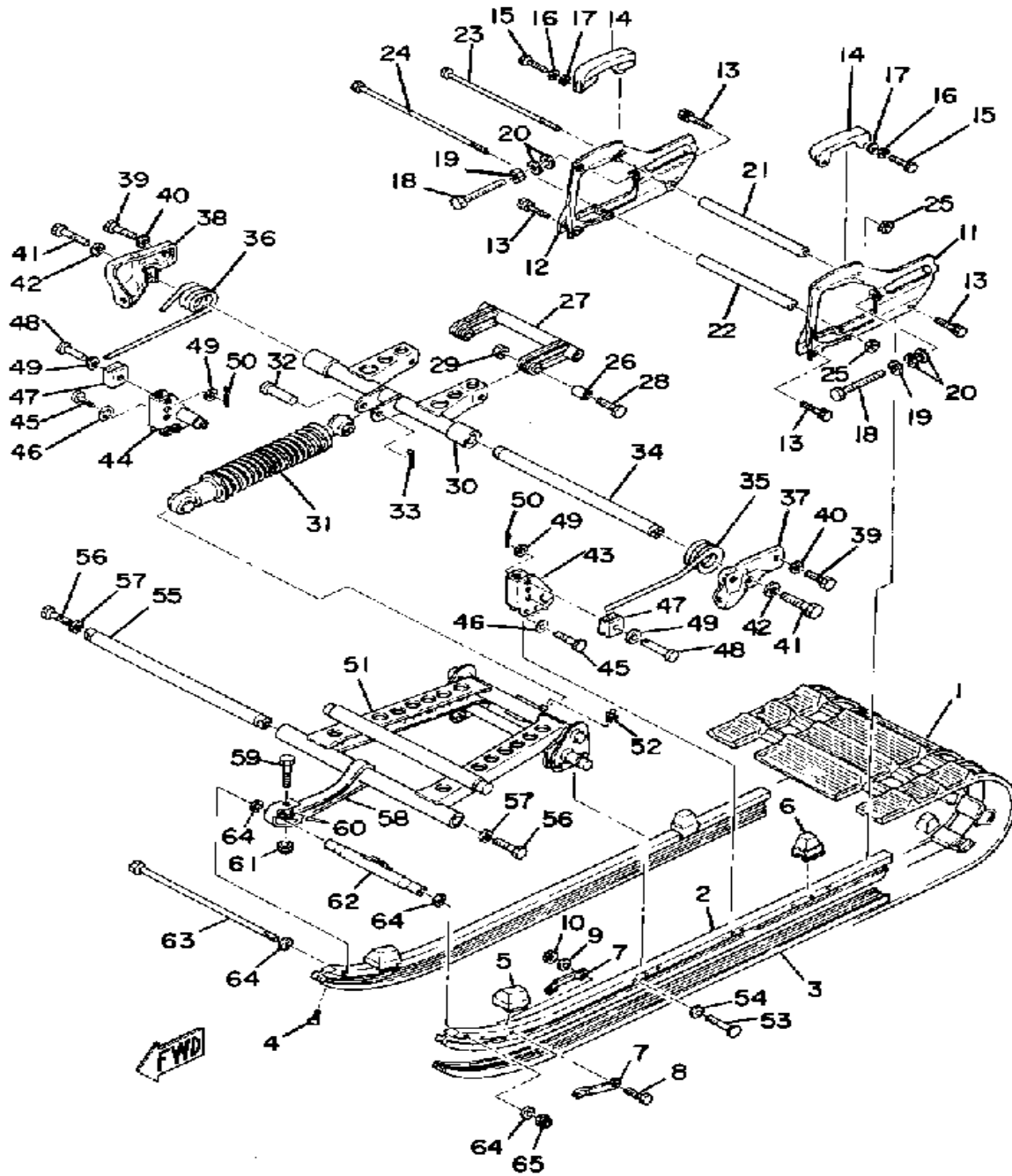


Ref. No.	Part Number	Description	Qty	Remarks
1	8A5-47110-01-00	TRACK ASSEMBLY	1	ROCKLAND
2	8E3-47411-00-00	FRAME, SLIDING 1	2	
3	8A7-47421-10-XX	RUNNER, SLIDING 1	2	
4	98702-06020-00	SCREW, FLAT HEAD (92702-06020)	2	
5	8E3-47457-00-00	DAMPER 2	2	
6	885-47457-00-00	DAMPER 2	2	
7	885-47458-01-00	PLATE, DAMPER	4	
8	98501-05030-00	SCREW, PAN HEAD	4	
9	92990-05100-00	WASHER, SPRING	4	
10	95380-05600-00	NUT	4	
11	8E3-47412-00-00	FRAME, SLIDING 2	1	
12	8E3-47413-00-00	FRAME, SLIDING 3	1	
13	90119-08008-00	BOLT, WITH WASHER	4	
14	8E3-47422-00-00	RUNNER, SLIDING 2	2	
15	97011-06025-00	BOLT (97001-06025)	2	
16	92995-06100-00	WASHER, SPRING	4	
17	90201-065F3-00	WASHER, PLATE	4	
18	90101-10314-00	BOLT	2	
19	95303-10700-00	NUT	2	
20	90201-08649-00	WASHER, PLATE	4	
21	90387-08497-00	COLLAR	1	
22	90387-08496-00	COLLAR	1	
23	97022-08250-00	BOLT	1	
24	90101-08374-00	BOLT	1	
25	95712-08300-00	NUT, LOCK	2	
26	90387-08508-00	COLLAR	2	
27	8A5-47417-00-00	BRACKET 3	1	
28	97313-08050-00	BOLT, HEXAGON (90101-08125)	2	

CONTINUED ON NEXT FRAME ➤

Property of www.SmallEngineDiscount.com - Not for Resale

TRACK - SUSPENSION

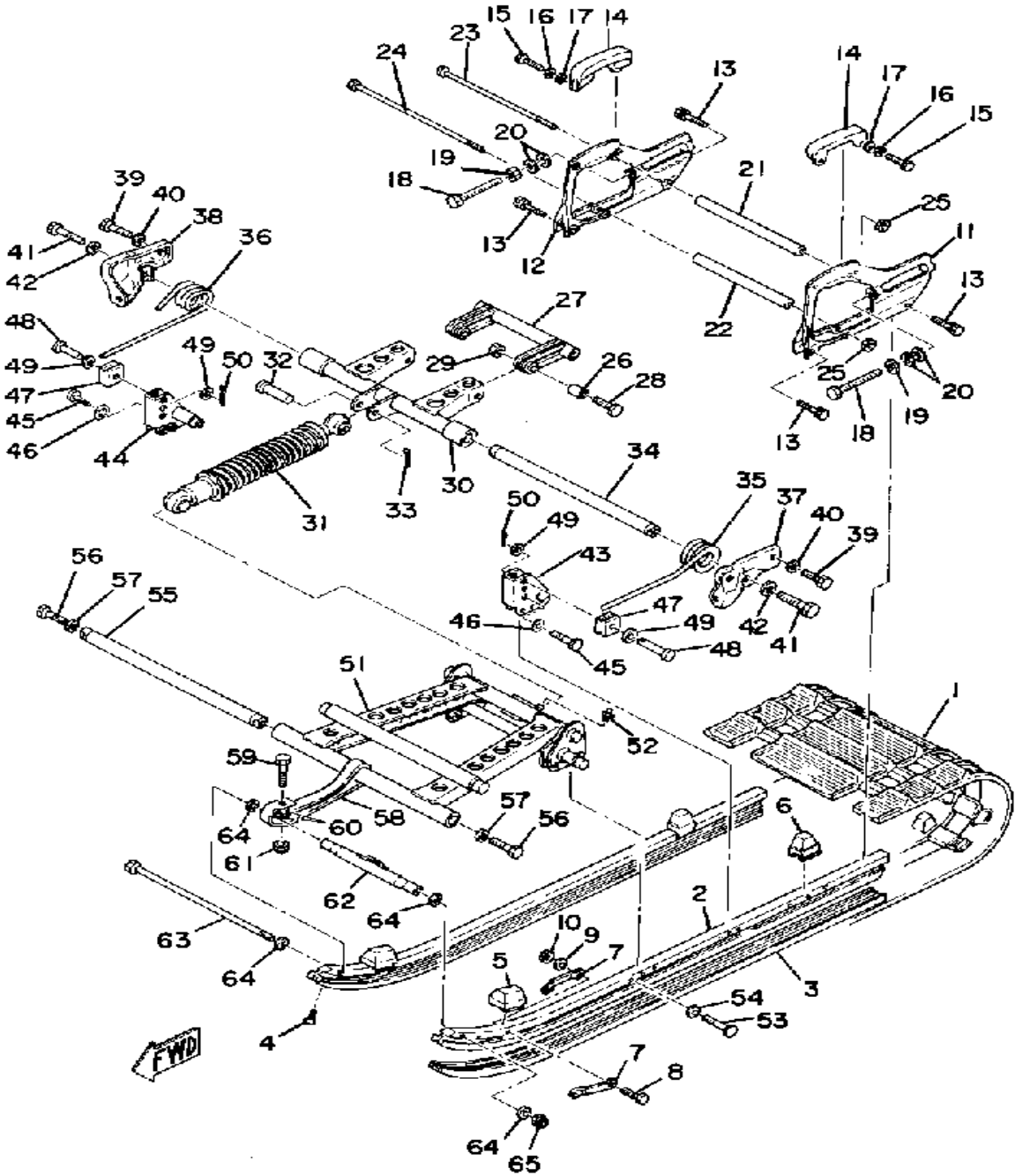


Ref. No.	Part Number	Description	Qty	Remarks
29	95712-08300-00	NUT, LOCK	2	
30	(8E3-47332-00-00)	ARM, PIVOT 2	1	
31	(8A0-47480-00-00)	SHOCK ABSORBER	1	
32	90240-12115-00	PIN, CLEVIS	2	
33	91401-30030-00	PIN, COTTER	2	
34	(899-47475-00-00)	SHAFT 2	1	
35	90508-99296-00	SPRING, TORSION	1	
36	90508-99297-00	SPRING, TORSION	1	
37	(890-47426-00-00)	BRACKET, REAR 1	1	
38	(890-47425-00-00)	BRACKET, REAR 2	1	
39	97313-08018-00	BOLT, HEXAGON (97301-08016)	4	
40	90208-08011-00	WASHER, CONICAL SPRING	4	
41	97013-10030-00	BOLT (8J7) (97303-10030)	2	
42	90208-10012-00	WASHER, CONICAL SPRING	2	
43	(8E3-47463-00-00)	BRACKET 5	1	
44	(8E3-47464-00-00)	BRACKET 6	1	
45	90101-06348-00	BOLT	6	
46	92995-06100-00	WASHER, SPRING	6	
47	890-47447-00-00	HOOK 2	2	
48	90249-12113-00	PIN	2	
49	90201-122A7-00	WASHER, PLATE	4	
50	91401-30030-00	PIN, COTTER	2	
51	(8A1-47331-01-00)	ARM, PIVOT 1	1	
52	93700-06M03-00	NIPPLE, GREASE	1	
53	90101-06348-00	BOLT	6	
54	92995-06100-00	WASHER, SPRING	6	
55	899-47465-00-00	SHAFT 1	1	
56	97013-10030-00	BOLT (8J7) (97303-10030)	2	
57	90208-10012-00	WASHER, CONICAL SPRING	2	

CONTINUED ON NEXT FRAME ➤

Property of www.SmallEngineDiscount.com - Not for Resale

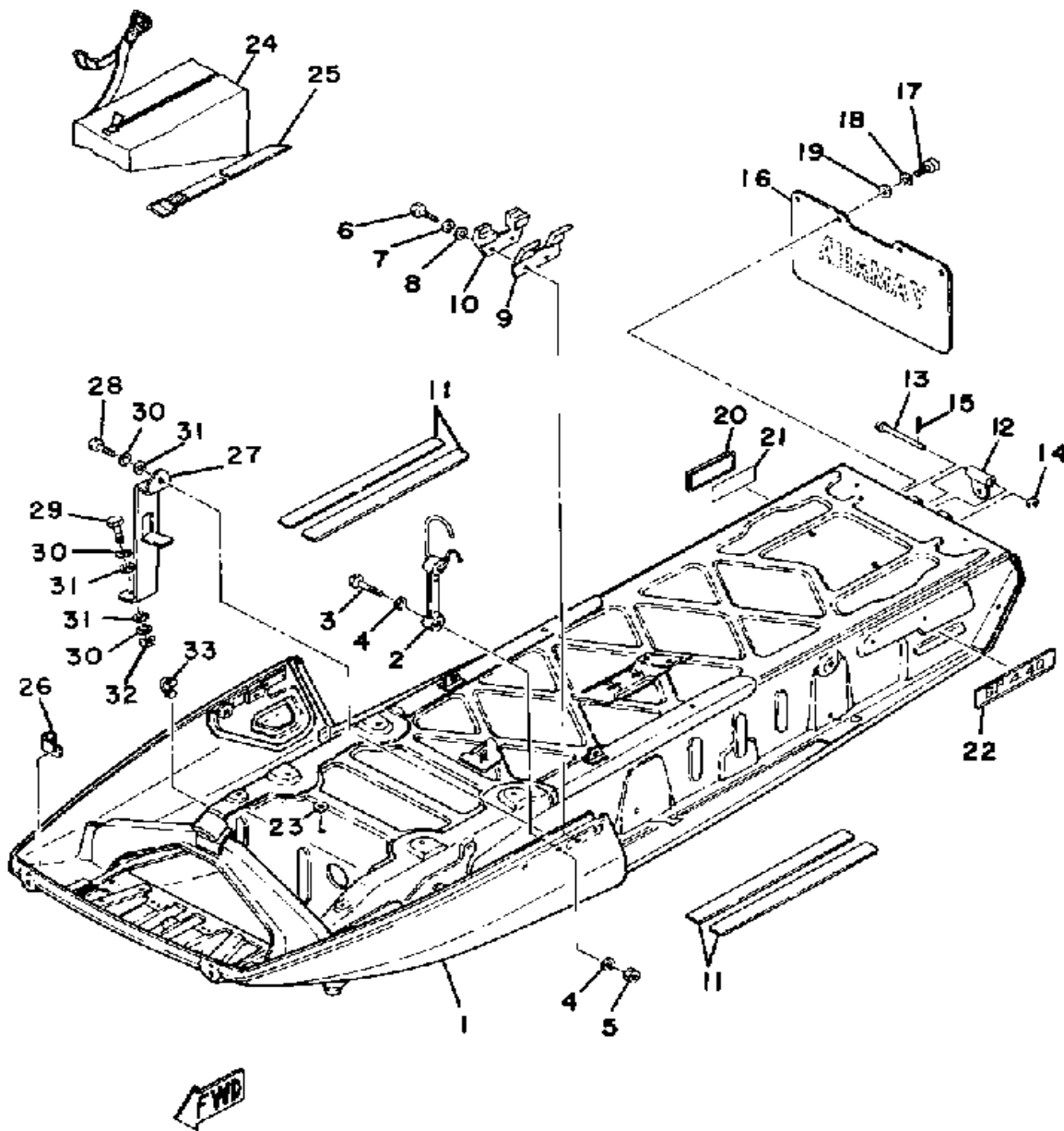
TRACK - SUSPENSION



Ref. No.	Part Number	Description	Qty	Remarks
58	888-47495-02-00	STOPPER 1	1	
59	97013-06035-00	BOLT	1	
60	90201-06407-00	WASHER, PLATE (90201-06747-00)	2	
61	95701-06300-00	NUT, NYLON	1	
62	899-47415-00-00	BRACKET 1	1	
63	90101-08374-00	BOLT	1	
64	92901-08600-00	WASHER	4	
65	95712-08300-00	NUT, LOCK	1	

Property of www.SmallEngineDiscount.com - Not for Resale

FRAME

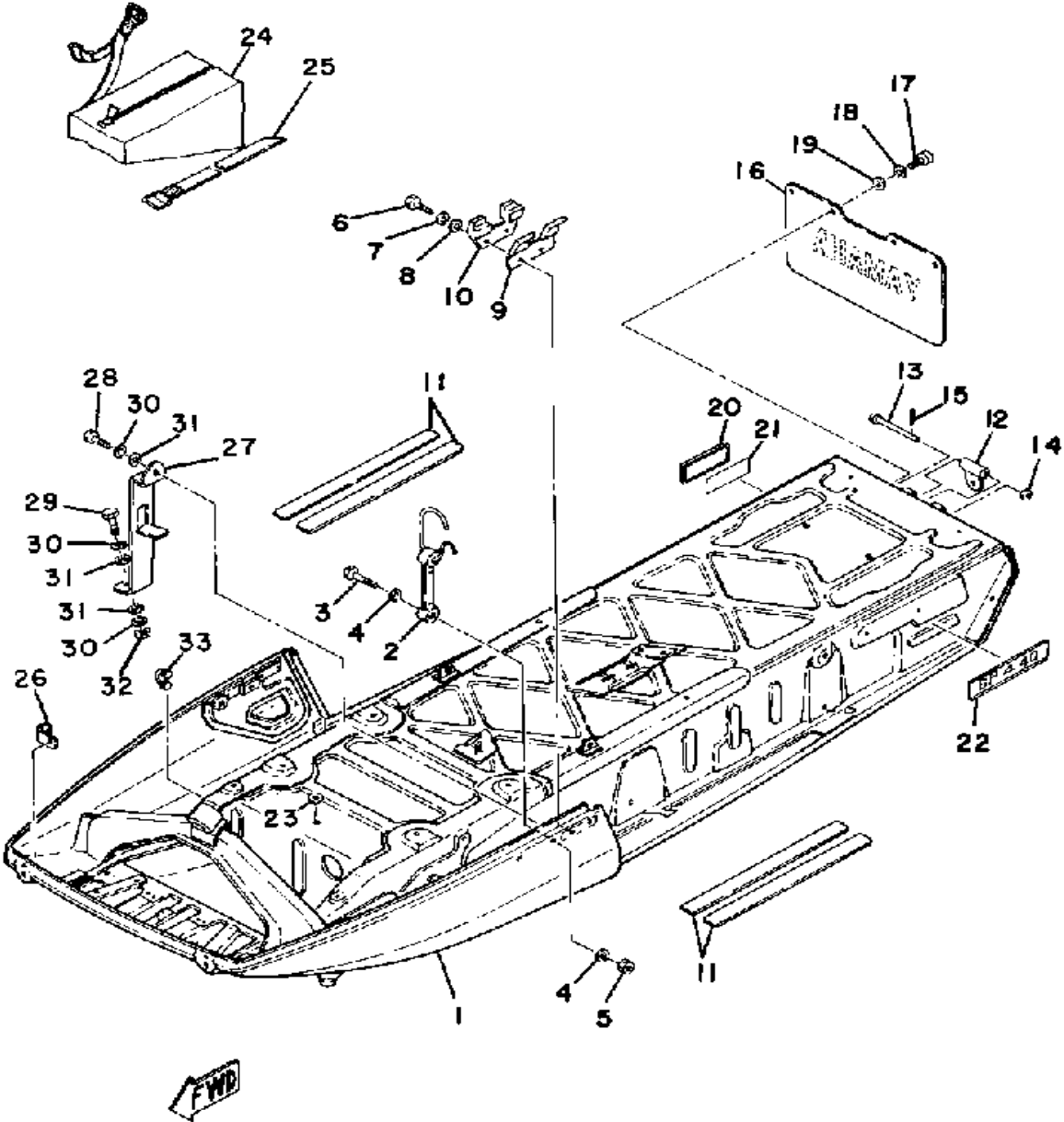


Ref. No.	Part Number	Description	Qty	Remarks
1	(8A1-21910-00-00)	FRAME	1	
2	8A1-77170-01-00	LATCH ASSEMBLY	2	
3	98980-06030-00	SCREW, BIND	2	
4	90201-06067-00	WASHER, PLATE	4	
5	95701-06300-00	NUT, NYLON	2	
6	97021-05020-00	BOLT	4	
7	92990-05100-00	WASHER, SPRING	4	
8	90201-05031-00	WASHER, PLATE	4	
9	(8A1-77137-00-00)	CLAMP 3	2	
10	8A1-77188-00-00	STOPPER	2	
11	878-27423-00-00	COVER, FOOTREST	4	
12	802-77591-00-00	BRACKET, HITCH 1	1	
13	(91701-08102-00)	PIN, CLEVIS	1	
14	92901-08600-00	WASHER	1	
15	91401-25020-00	PIN, COTTER	1	
16	865-77595-00-00	FLAP	1	
17	97001-06018-00	BOLT	4	
18	92995-06100-00	WASHER, SPRING	4	
19	90201-06697-00	WASHER, PLATE	4	
20	81G-85130-00-00	REAR REFLECTOR ASSEMBLY	2	
21	878-85133-00-00	TAPE, REFLECTOR	2	
22	(8E4-77354-00-00)	EMBLEM 4	2	
23	810-77716-00-00	ORNAMENT, INSTRUMENT PANEL 2	1	
24	(8A1-77331-00-00)	SERVICE BAG CMLPT	1	
25	(8A1-77332-00-00)	BAND, SERVICE BAG	1	
26	90462-10007-00	CLAMP	1	
27	(8A1-77338-00-00)	STAY, BELT	1	
28	97013-06012-00	BOLT	1	

CONTINUED ON NEXT FRAME ►

Property of www.SmallEngineDiscount.com - Not for Resale

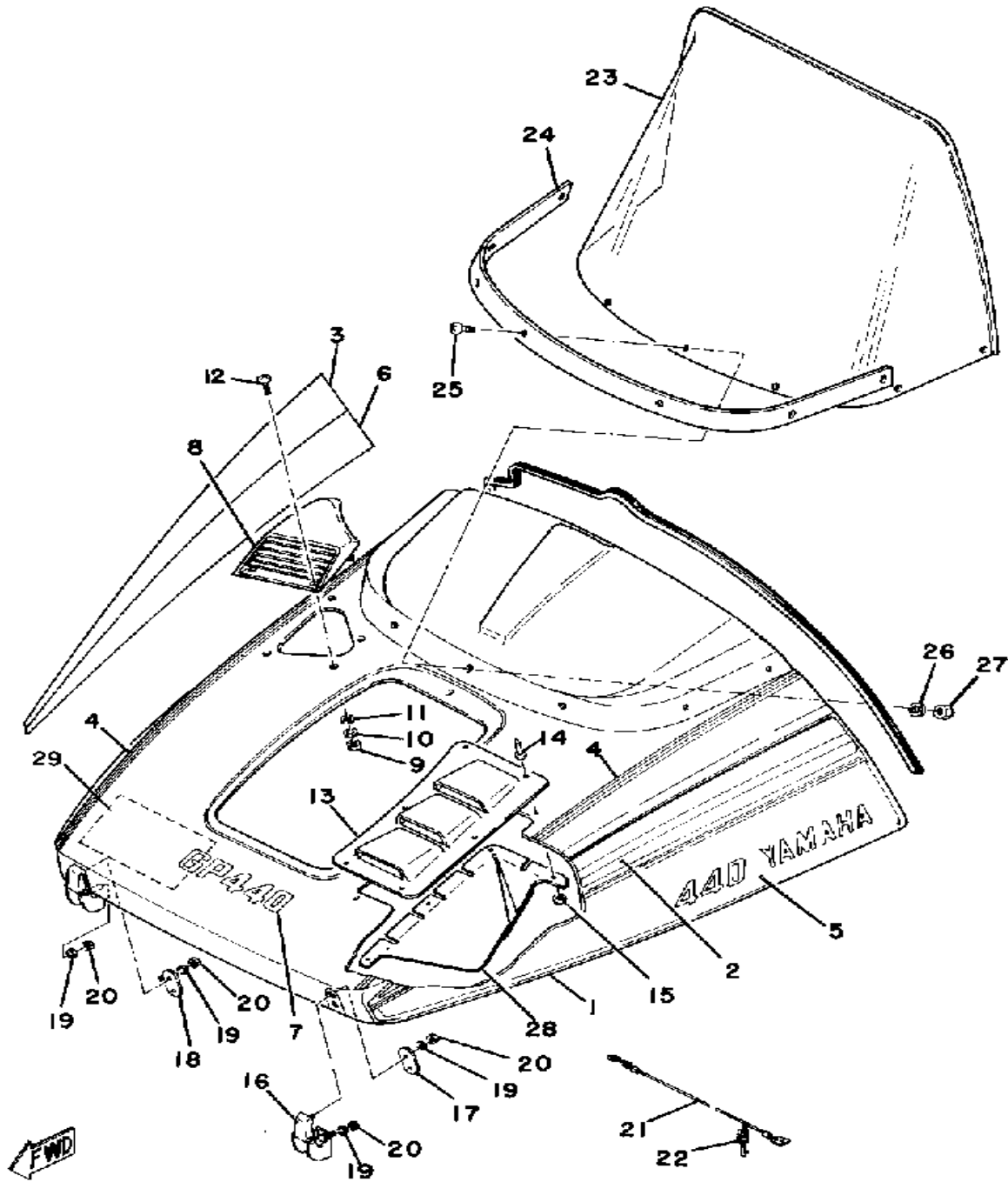
FRAME



Ref. No.	Part Number	Description	Qty	Remarks
29	97301-06014-00	BOLT, HEXAGON	1	
30	92995-06100-00	WASHER, SPRING	3	
31	92901-06600-00	WASHER	3	
32	95380-06600-00	NUT	1	
33	(841-82591-00-00)	BAND	1	

Property of www.SmallEngineDiscount.com - Not for Resale

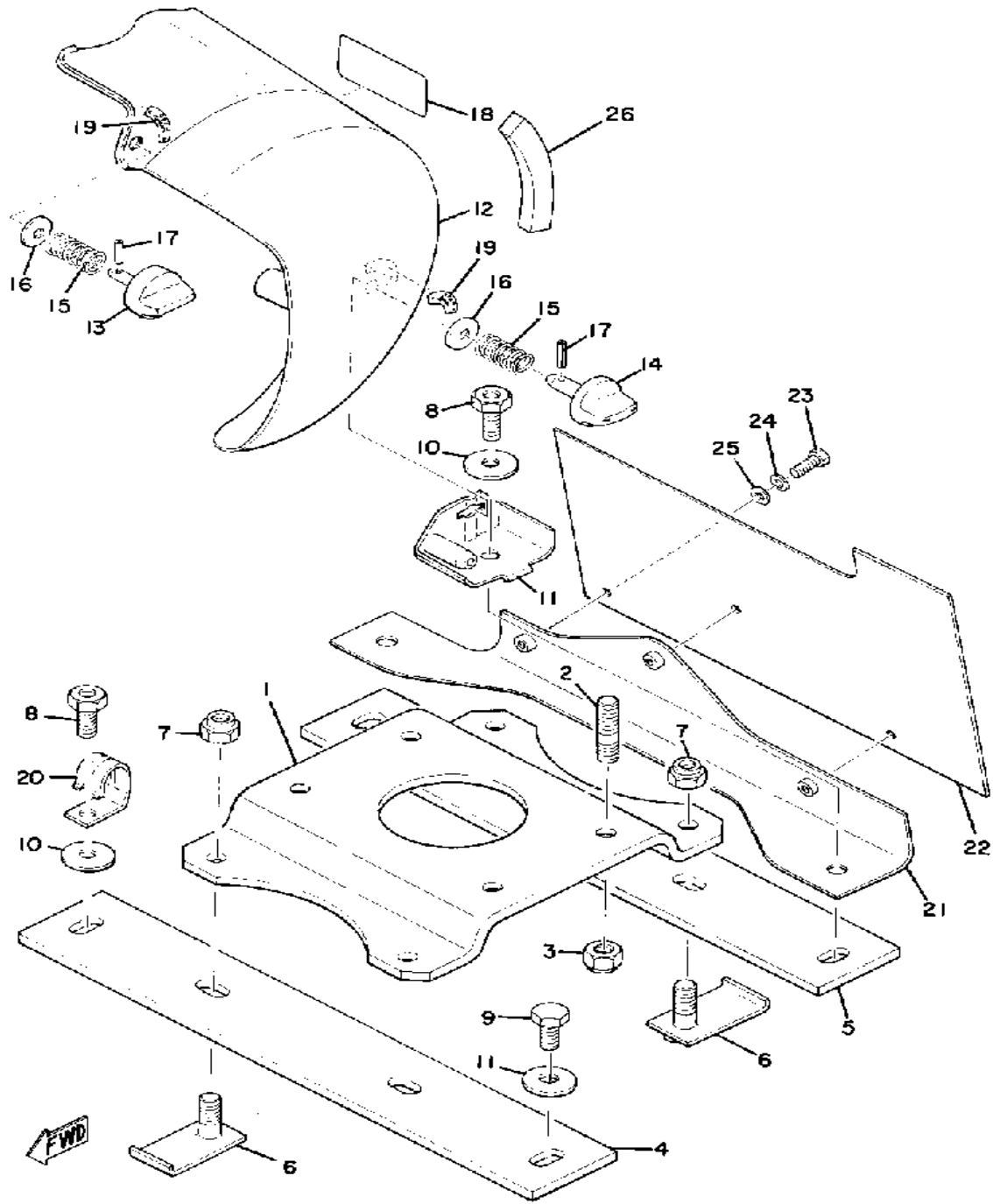
SHROUD



Ref. No.	Part Number	Description	Qty	Remarks
1	8E4-W7711-00-00	SHROUD ASSEMBLY	1	
2	8E4-77163-00-00	ORNAMENT 1	1	
3	8E4-77164-00-00	ORNAMENT 2	1	
4	(8A1-77169-00-00)	ORNAMENT 3	2	
5	8E4-77113-00-00	ORNAMENT 4	1	
6	8E4-77114-00-00	ORNAMENT 5	1	
7	8A1-77356-00-00	EMBLEM 6	1	
8	(8A1-77134-02-00)	LOUVER 4	1	
9	95380-05600-00	NUT	4	
10	92990-05100-00	WASHER, SPRING	4	
11	92901-05600-00	WASHER, PLATE	4	
12	98606-05015-00	SCREW, OVAL HEAD	2	
13	8A1-77133-00-00	LOUVER 3	1	
14	90267-32070-00	RIVET, BLIND	6	
15	90201-03313-00	WASHER, PLATE	6	
16	8E3-77140-00-00	HINGE ASSEMBLY	2	
17	(841-77153-00-00)	PLATE, BACK UP 1	1	
18	(841-77154-00-00)	PLATE, BACK UP 2	1	
19	92995-06100-00	WASHER, SPRING	6	
20	95380-06600-00	NUT	6	
21	8E4-77118-00-00	STOPPER, SHROUD	1	
22	838-77159-00-00	CLAMP, ROD	1	
23	8A1-77210-00-00	WINDSHIELD	1	
24	(8E4-77214-00-00)	TRIM, LOWER	1	
25	90154-05059-00	SCREW, BINDING	7	
26	90201-05036-00	WASHER, PLATE	7	
27	95701-05300-00	NUT, NYLON	7	
28	(8A1-77194-01-00)	DUCT	1	
29	(8E4-77266-01-00)	LINING, SHROUD 6	1	

Property of www.SmallEngineDiscount.com - Not for Resale

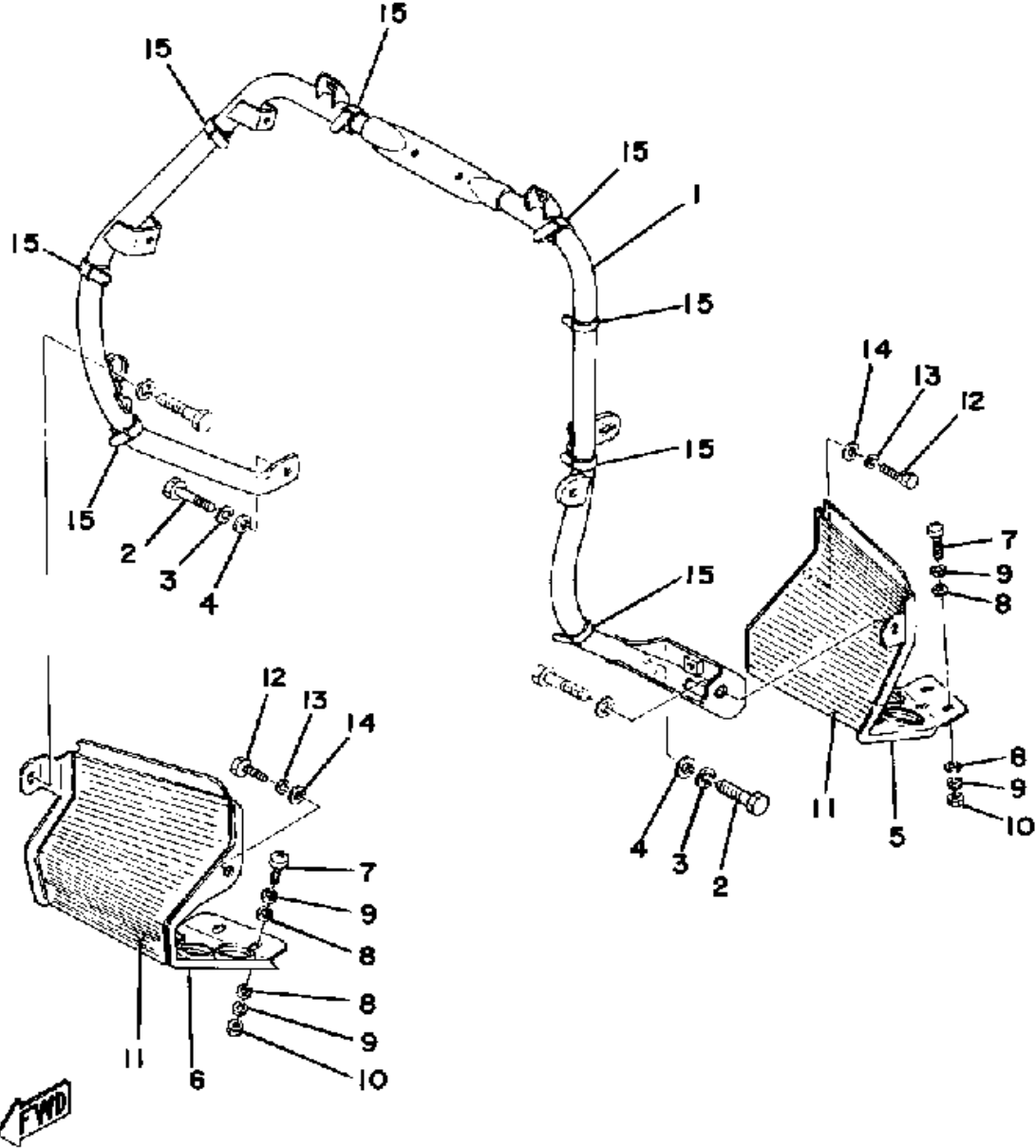
ENGINE BRACKET



Ref. No.	Part Number	Description	Qty	Remarks
1	(838-21411-01-00)	BRACKET, ENGINE 1	1	
2	(90116-10084-00)	BOLT, STUD	4	
3	90185-10030-00	NUT, SELF-LOCKING	4	
4	(841-21419-00-00)	BRACKET, ENGINE 2	1	
5	(829-21419-00-00)	BRACKET, ENGINE 2	1	
6	(829-21482-00-00)	BOLT, ENG MNTNG 2	4	
7	90185-10030-00	NUT, SELF-LOCKING	4	
8	(90101-10057-00)	BOLT	3	
9	(90106-10015-00)	BOLT, DOME HEAD	1	
10	90208-10013-00	WASHER, CONICAL SPR	4	
11	844-77315-00-00	BRACKET 1	1	
12	865-77311-00-00	GUARD, DRIVE	1	
13	(829-77324-00-00)	KNOB	1	
14	844-77324-00-00	KNOB	1	
15	90501-16103-00	SPRING, COMPRESSION	2	
16	90201-08104-00	WASHER, PLATE	2	
17	91609-40018-00	PIN, SPRING	2	
18	(829-77365-00-00)	EMBLEM 0	1	
19	(829-77367-00-00)	EMBLEM 2	2	
20	(90465-06012-00)	CLAMP	1	
21	(8E4-21421-00-00)	STAY, REAR UPPER	1	
22	(8E4-21455-00-00)	PLATE, PATCH	1	
23	97313-05012-00	BOLT, HEXAGON	3	
24	92990-05100-00	WASHER, SPRING	3	
25	90201-05036-00	WASHER, PLATE	3	
26	(8E4-77319-00-00)	DAMPER 1	1	

Property of www.SmallEngineDiscount.com - Not for Resale

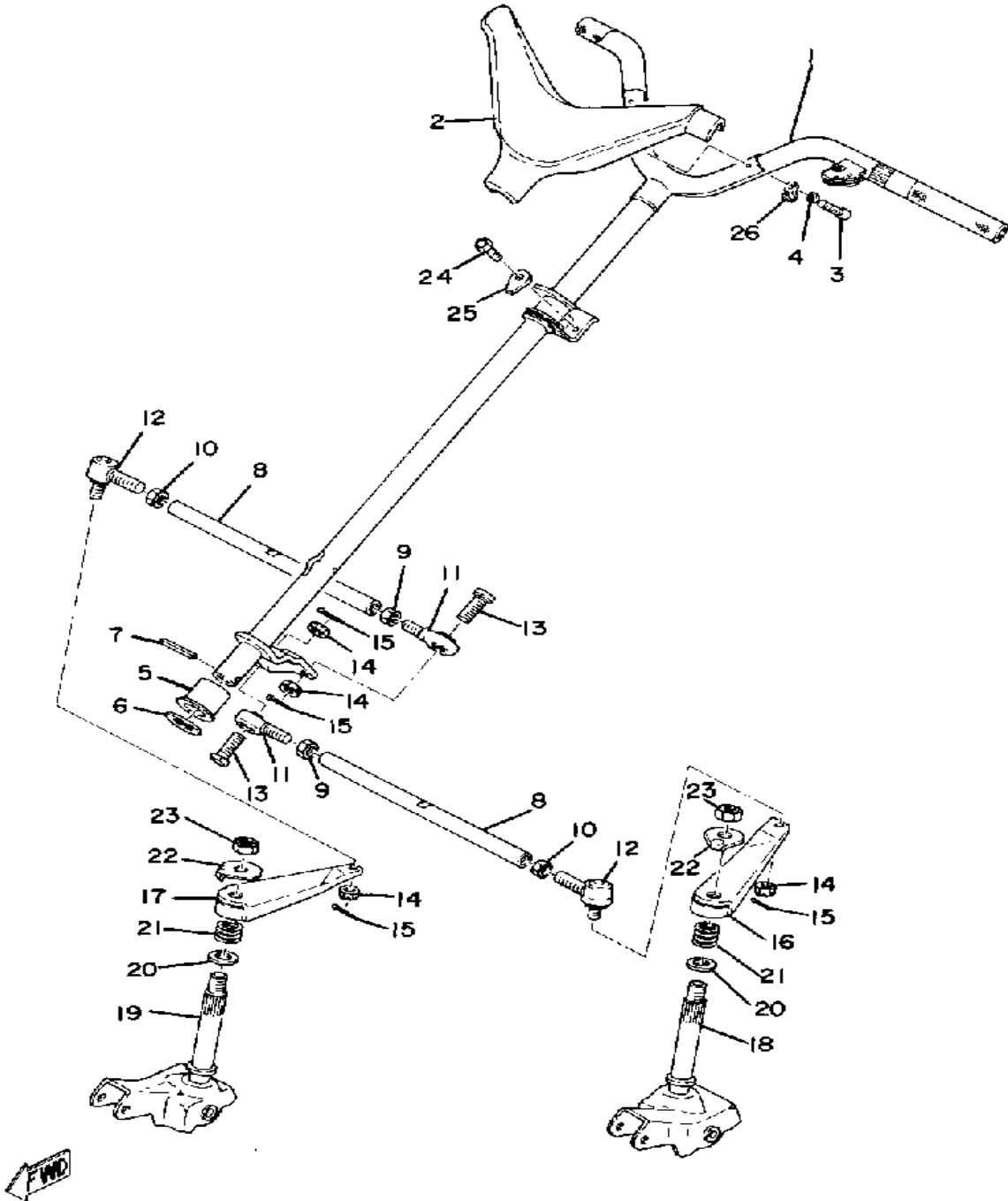
STEERING GATE



Ref. No.	Part Number	Description	Qty	Remarks
1	(8A1-23870-00-00)	STEERING GATE	1	
2	97306-08018-00	BOLT, HEXAGON (97206-08018)	2	
3	90201-08624-00	WASHER, PLATE	2	
4	(861-23895-00-00)	WASHER, LOCK 2	2	
5	(8A1-27411-00-00)	FOOTREST 1	1	
6	(8A1-27421-00-00)	FOOTREST 2	1	
7	98503-06014-00	SCREW, PAN HEAD (92502-06016)	4	
8	92901-06600-00	WASHER	8	
9	92995-06100-00	WASHER, SPRING	8	
10	95380-06600-00	NUT	4	
11	(8A1-77271-00-00)	DAMPER, NOISE 1	2	
12	97013-06012-00	BOLT	2	
13	92995-06100-00	WASHER, SPRING	2	
14	90201-06067-00	WASHER, PLATE	2	
15	437-83936-11-00	BAND, SWITCH CORD	8	

Property of www.SmallEngineDiscount.com - Not for Resale

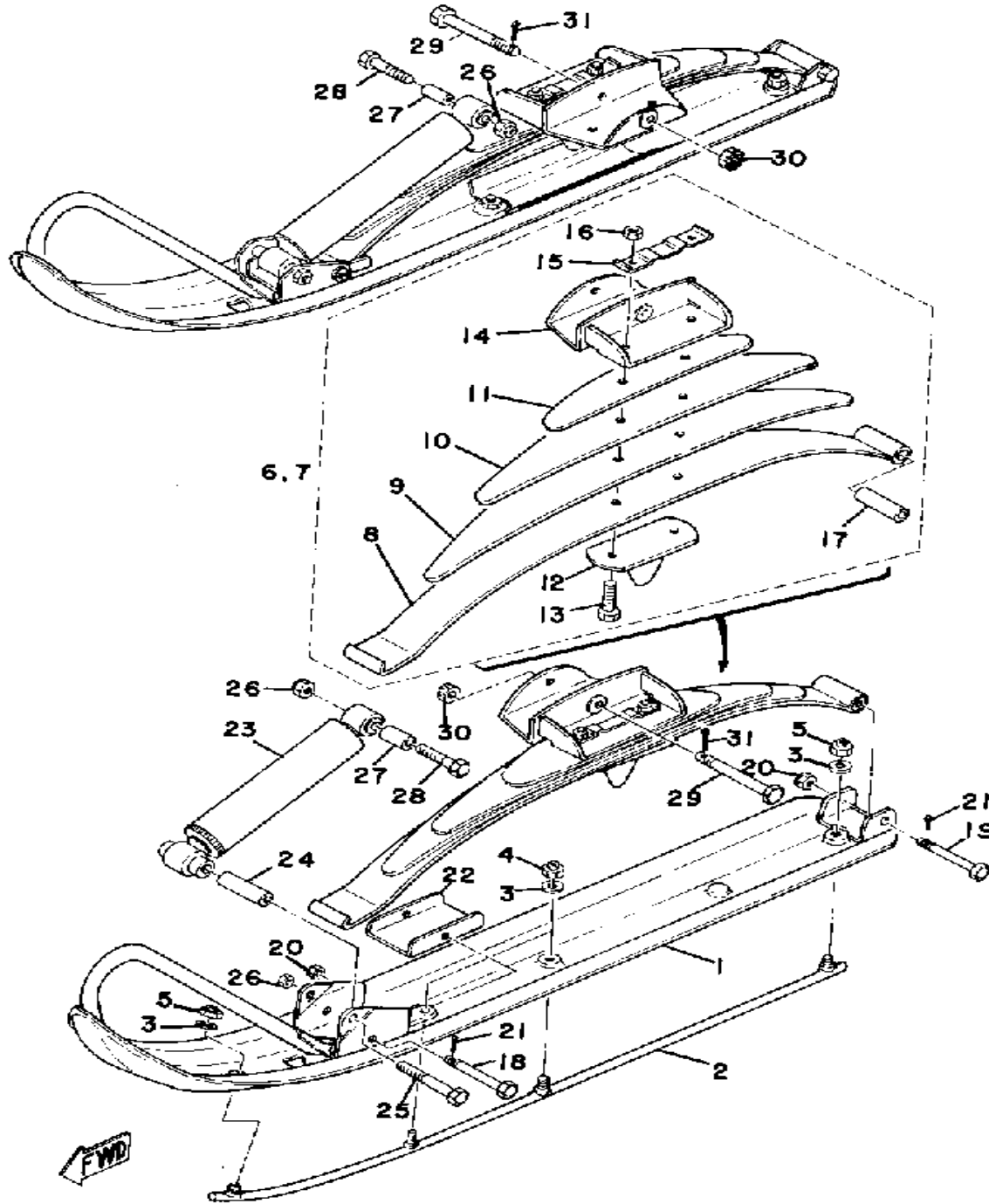
STEERING



Ref. No.	Part Number	Description	Qty	Remarks
1	(8E3-23811-00-00)	COLUMN, STEERING	1	
2	(863-23815-01-00)	PAD, STEERING	1	
3	98501-05035-00	SCREW, PAN HEAD	2	
4	92990-05100-00	WASHER, SPRING	2	
5	(853-23875-00-00)	BEARING, STRG LOWER	1	
6	(841-23812-01-00)	BEARING, STEERING	1	
7	91609-60045-00	PIN, SPRING	1	
8	(861-23821-00-00)	ROD, STEERING RELAY	2	
9	90170-12055-00	NUT	2	
10	90170-12054-00	NUT	2	
11	861-23841-00-00	JOINT, UNIVERSAL 1	2	
12	(821-23845-90-00)	JOINT, UNIVERSAL 2	2	
13	90109-10409-00	BOLT	2	
14	95303-10900-00	NUT, SLOTTED	4	
15	91401-25020-00	PIN, COTTER	4	
16	899-23851-00-00	ARM, OUTSIDE 1	1	
17	890-23852-00-00	ARM, OUTSIDE 2	1	
18	865-23853-00-00	COLUMN, SKI 1	1	
19	865-23854-00-00	COLUMN, SKI 2	1	
20	90560-20037-00	SPACER	2	
21	90501-35154-00	SPRING, COMPRESSION	2	
22	90215-12031-00	WASHER, LOCK (810-23857-00)	2	
23	95303-12600-00	NUT	2	
24	97011-06020-00	BOLT	2	
25	(90215-06038-00)	WASHER, LOCK	2	
26	(90462-08003-00)	CLAMP	2	

Property of www.SmallEngineDiscount.com - Not for Resale

SKI

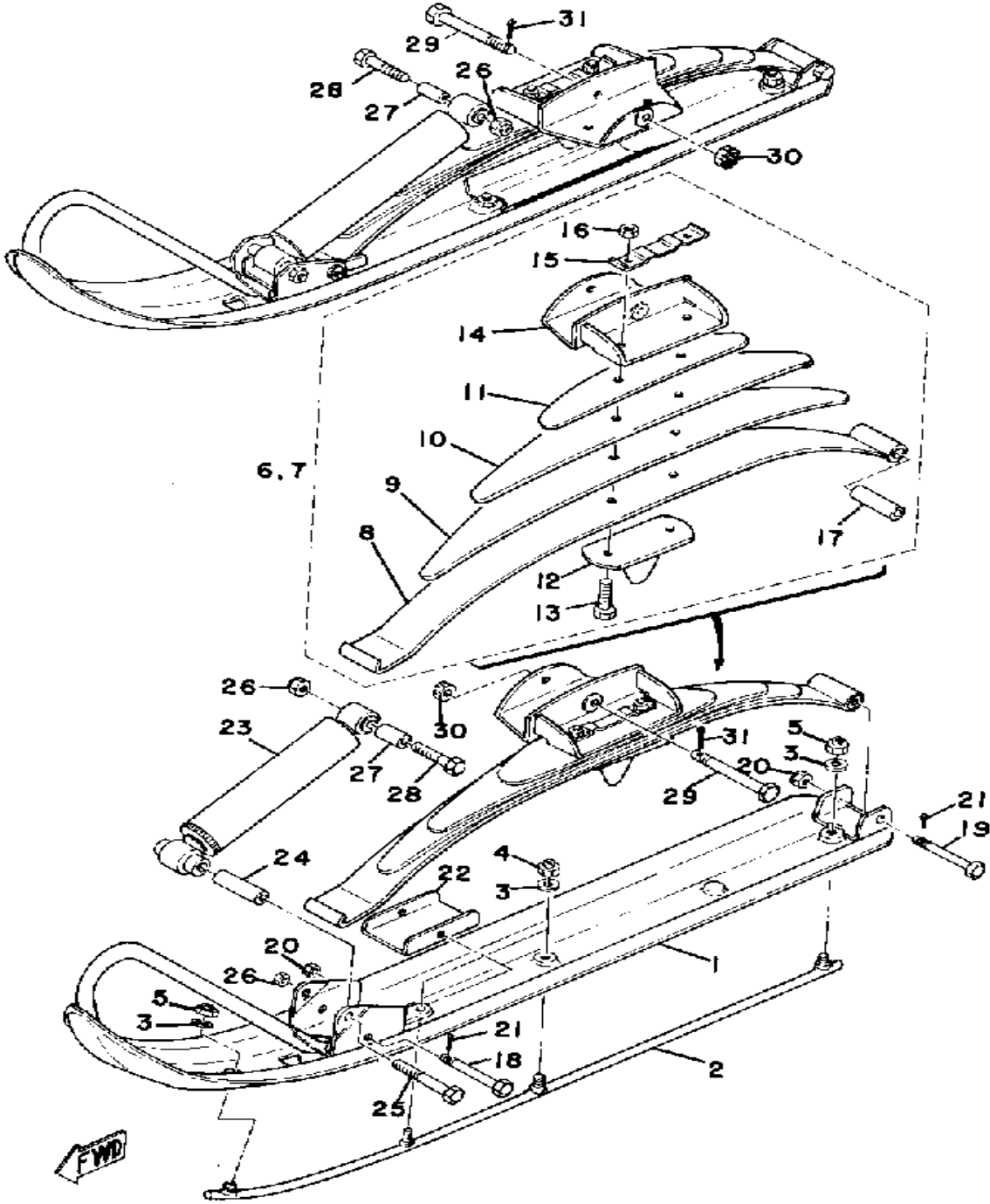


Ref. No.	Part Number	Description	Qty	Remarks
1	8E3-23710-09-00	SKI COMP. 1	2	
2	8E3-23731-00-XX	RUNNER 1 (8E3-23731-01-00)	2	
3	92901-08600-00	WASHER	8	
4	90185-08055-00	NUT, SELF-LOCKING	4	
5	95712-08300-00	NUT, LOCK	4	
6	899-23760-00-00	SPRING ASSEMBLY 1	1	
7	(899-23770-00-00)	SPRING ASSEMBLY 2	1	
8	888-23761-00-00	. LEAF 1	2	
9	865-23762-00-00	. LEAF 2	2	
10	899-23763-00-00	. LEAF 3	2	
11	899-23764-00-00	. LEAF 4	2	
12	878-23768-00-00	. SEAT, SPRING 1	2	
13	90109-105E1-00	. BOLT	4	
14	(841-23766-00-00)	SADDLE 1	2	
15	90215-10155-00	. WASHER, LOCK	2	
16	95701-10500-00	. NUT, FLANGE (95702-10500)	4	
17	90387-08478-00	. COLLAR	2	
18	90102-08028-00	BOLT, WITH HOLE	2	
19	90102-08027-00	BOLT, WITH HOLE	2	
20	95712-08300-00	NUT, LOCK	4	
21	91490-20020-00	PIN, COTTER	4	
22	888-23735-00-00	PLATE, WEAR 1	2	
23	8F7-23350-00-00	SHOCK ABSORBER ASSEMBLY	2	
24	90387-08224-00	COLLAR	2	
25	97013-08075-00	BOLT	2	
26	95712-08300-00	NUT, LOCK	4	
27	90387-08223-00	COLLAR	2	
28	97313-08050-00	BOLT, HEXAGON (90101-08125)	2	

CONTINUED ON NEXT FRAME ►

Property of www.SmallEngineDiscount.com - Not for Resale

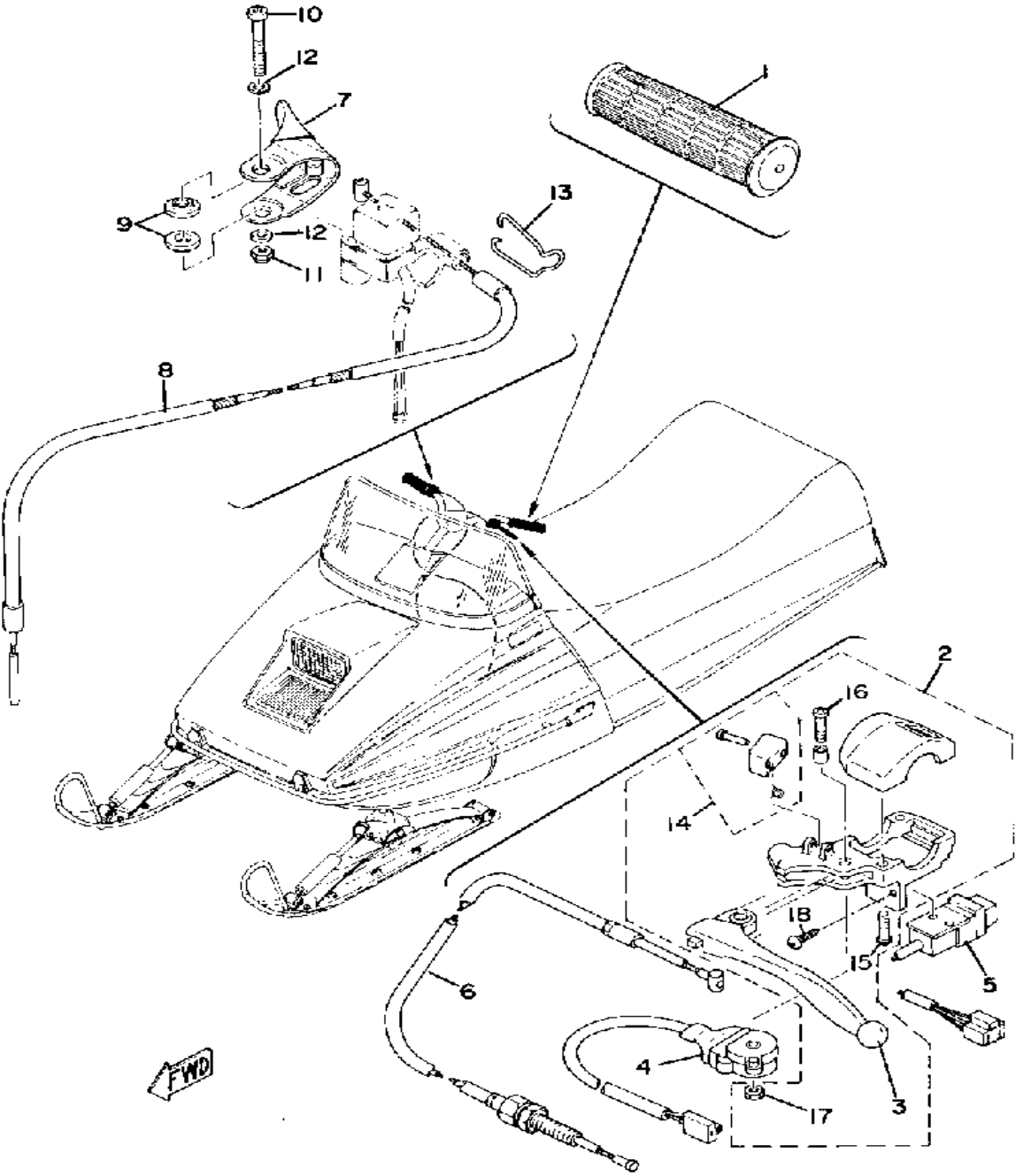
SKI



Ref. No.	Part Number	Description	Qty	Remarks
29	90102-10024-00	BOLT, WITH HOLE	2	
30	95306-10900-00	NUT, SLOTTED	2	
31	91401-25020-00	PIN, COTTER	2	

Property of www.SmallEngineDiscount.com - Not for Resale

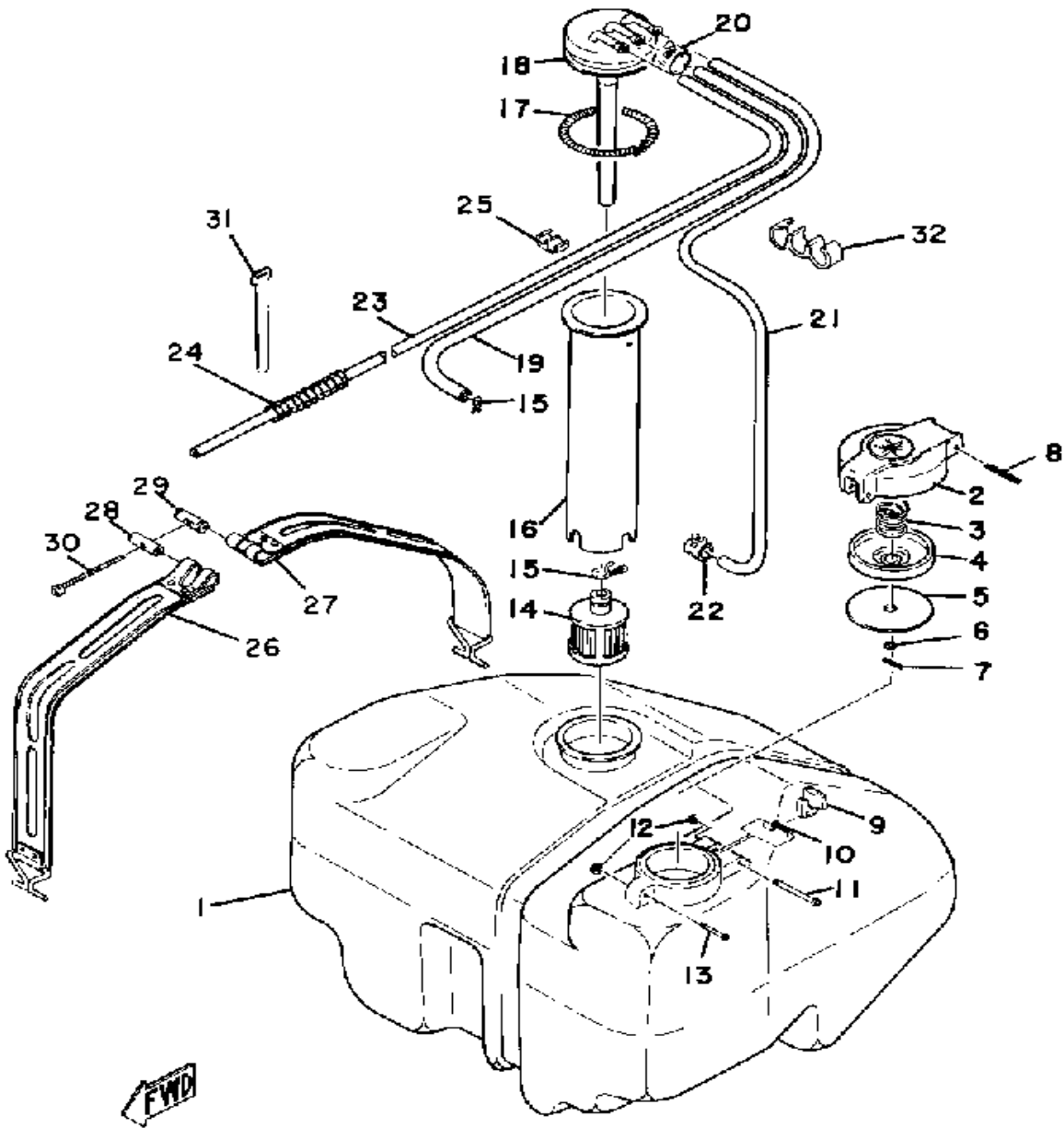
GRIP - WIRING



Ref. No.	Part Number	Description	Qty	Remarks
1	801-26241-01-00	GRIP	2	
2	8E3-W8291-01-00	LEVER HOLDER ASSEMBLY (LEFT)	1	
3	803-83912-00-38	. LEVER 1	1	
4	8R4-82530-00-00	STOP SWITCH ASSEMBLY ...	1	
5	8H8-83950-01-00	BEAM SWITCH ASSEMBLY (8K4-83950-01-00)	1	
6	861-26340-02-00	CABLE, BRAKE	1	
7	99999-01028-00	THROTTLE LEVER	1	
8	863-26311-03-00	CABLE THROTTLE 1	1	
9	90387-062M9-00	COLLAR	2	
10	98580-06545-00	SCREW PAN HEAD (92503-06045)	1	
11	95701-06300-00	NUT, NYLON	1	
12	92901-06600-00	WASHER	2	
13	90468-10017-00	CLIP (821-26391-00)	1	
14	8E3-83930-00-00	LEVER LOCK ASSEMBLY	1	COMPONENT PARTS OF LEVER HOLDE
15	98501-05018-00	SCREW, PAN HEAD	2	COMPONENT PARTS OF LEVER HOLDE
16	98501-05035-00	SCREW, PAN HEAD	1	COMPONENT PARTS OF LEVER HOLDE
17	95701-05300-00	NUT, NYLON	1	COMPONENT PARTS OF LEVER HOLDE
18	97780-30312-00	SCREW, tapping	1	COMPONENT PARTS OF LEVER HOLDE

Property of www.SmallEngineDiscount.com - Not for Resale

FUEL TANK

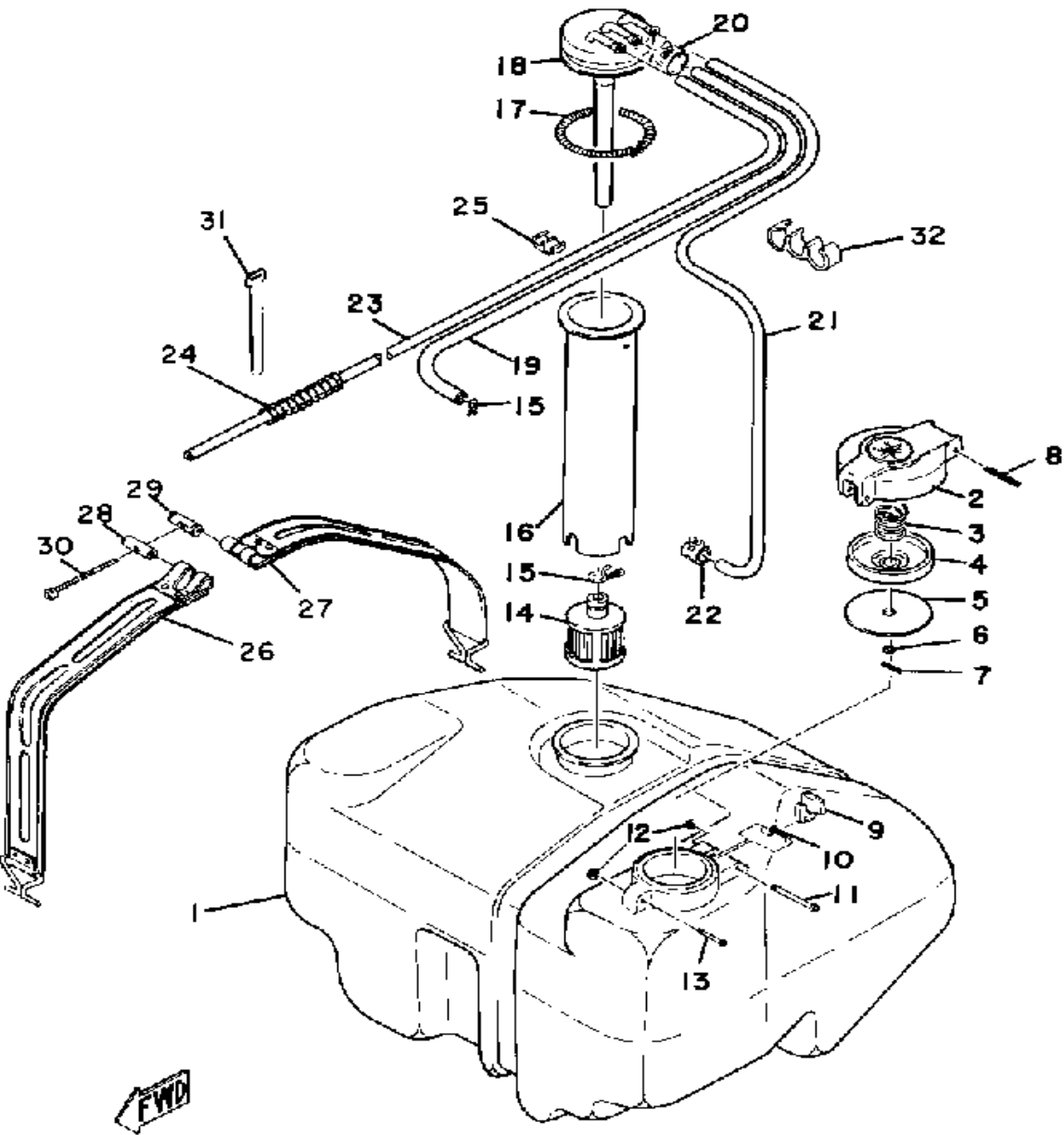


Ref. No.	Part Number	Description	Qty	Remarks
1	865-24111-00-00	FUEL TANK	1	
2	813-24611-01-00	BODY, CAP	1	
3	90501-20130-00	SPRING, COMPRESSION	1	
4	813-24613-01-00	DISC, CAP	1	
5	256-24612-00-00	GASKET, CAP	1	
6	93210-04122-00	O-RING	1	
7	91609-30016-00	PIN, SPRING	1	
8	91609-25032-00	PIN, SPRING	1	
9	83M-24628-00-00	HOOK	1	
10	90508-08003-00	SPRING, TORSION (813-24637-00)	1	
11	90249-03016-00	PIN, SPEC'L SHAPE	1	
12	93430-02001-00	CIRCLIP	2	
13	90249-03017-00	PIN	1	
14	8H5-24560-00-00	FILTER ASSEMBLY	1	
15	90467-11009-00	CLIP	2	
16	865-24336-00-00	PIPE, SUCTION 2	1	
17	90506-06065-00	SPRING, TENSION	1	
18	(865-24335-00-00)	PIPE, SUCTION 1	1	
19	(90446-11128-00)	HOSE	1	
20	90467-11028-00	CLIP	1	
21	90446-09051-00	HOSE (806-24319-00)	1	
22	90467-09026-00	CLIP	1	
23	90446-09057-00	HOSE	1	
24	(8E4-24328-00-00)	PROTECTOR, PIPE	1	
25	90468-15020-00	CLIP	1	
26	865-24173-00-00	BAND, TNK FITTING 1	1	
27	(865-24199-00-00)	BAND, TNK FITTING 2	1	
28	806-24135-00-00	CLAMP 1	1	

CONTINUED ON NEXT FRAME ➤

Property of www.SmallEngineDiscount.com - Not for Resale

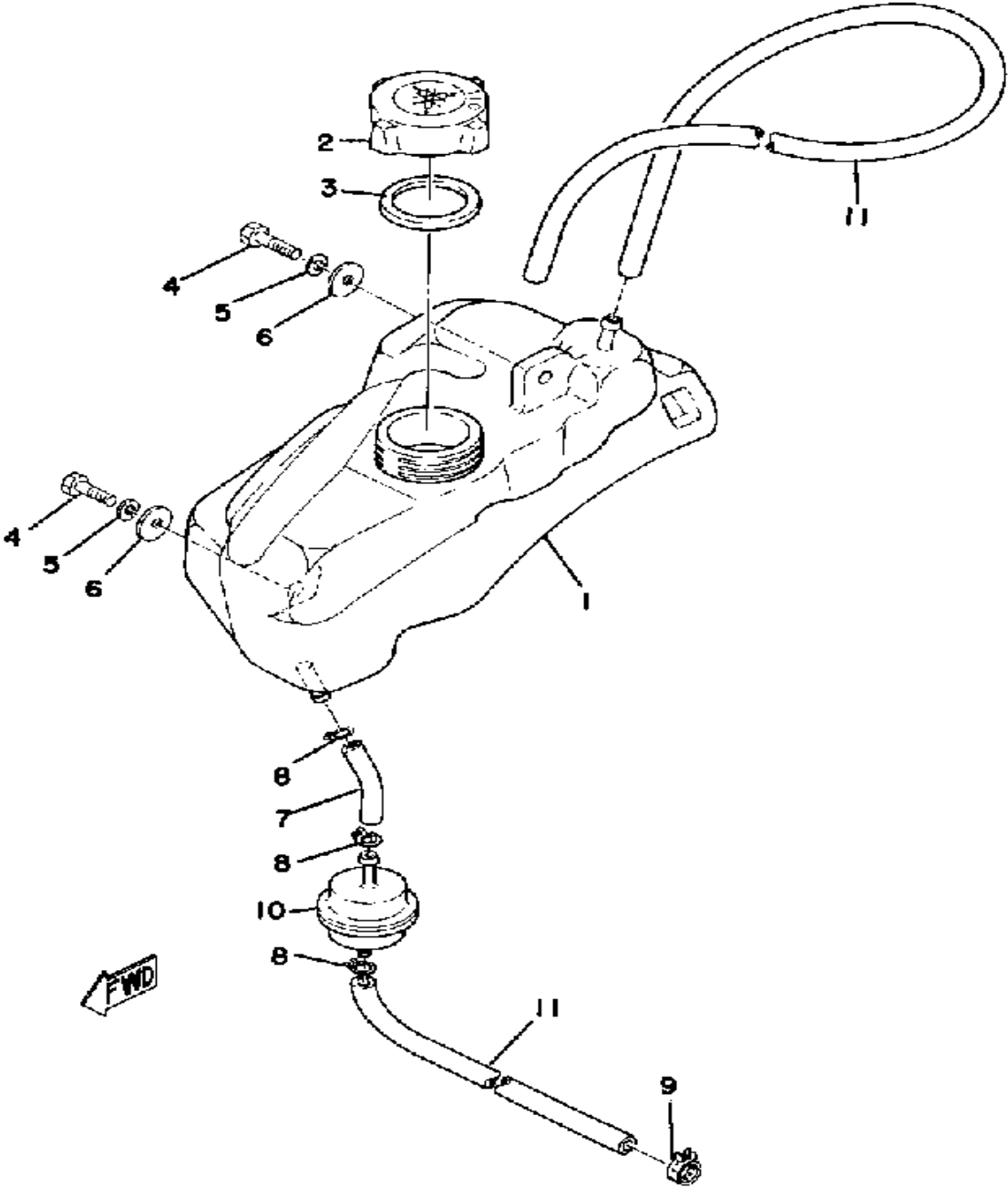
FUEL TANK



Ref. No.	Part Number	Description	Qty	Remarks
29	90179-05030-00	NUT, SPEC'L SHAPE (806-24146-00)	1	
30	90149-05006-00	SCREW, SPEC'L SHAPE (821-24176-00)	1	
31	437-83936-11-00	BAND, SWITCH CORD	3	
32	(90468-15076-00)	CLIP	1	

Property of www.SmallEngineDiscount.com - Not for Resale

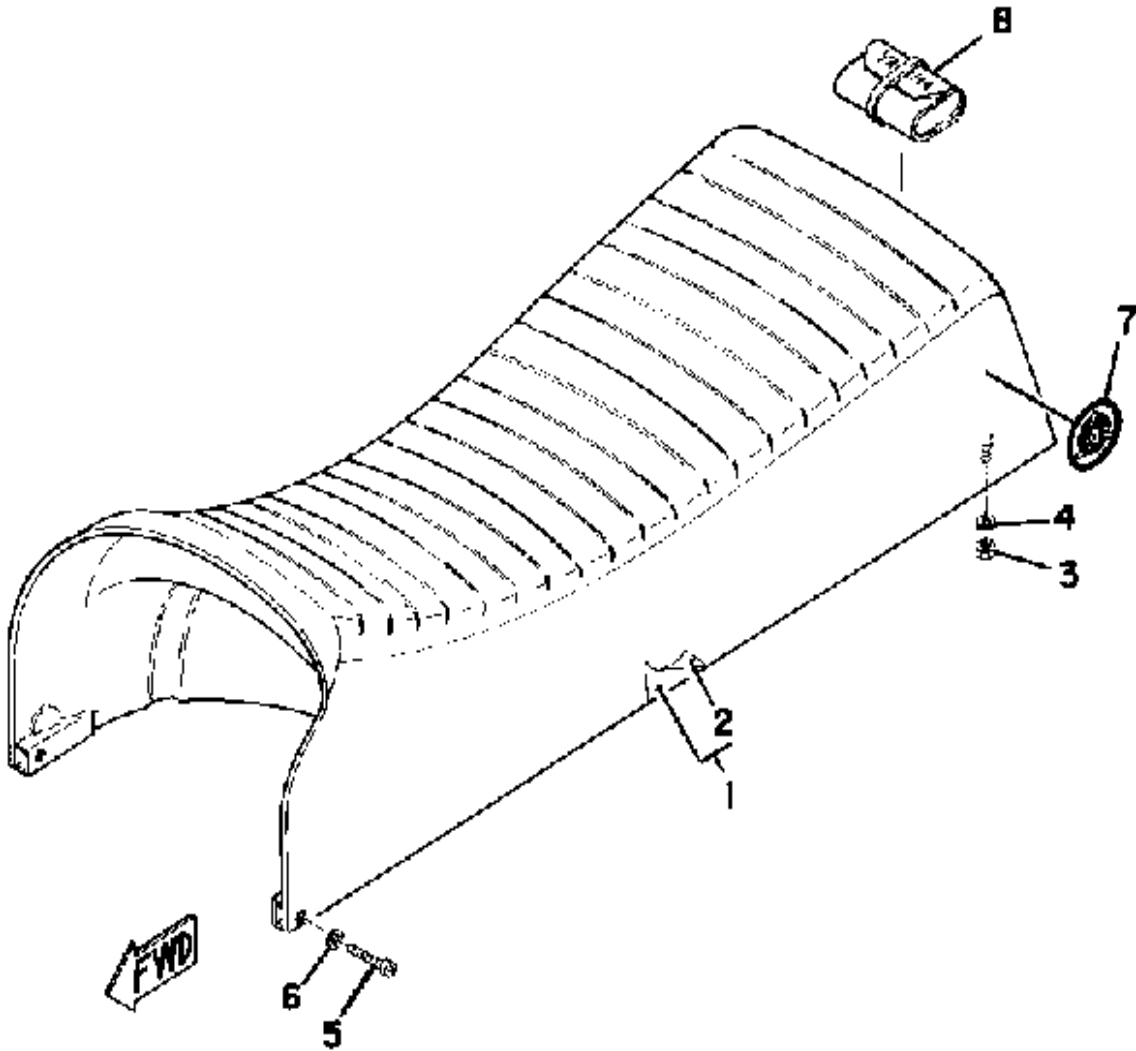
OIL TANK



Ref. No.	Part Number	Description	Qty	Remarks
1	(8A1-21751-00-00)	TANK, OIL	1	
2	863-21771-00-00	BODY, CAP	1	
3	90430-31003-00	GASKET	1	
4	97313-05016-00	BOLT, HEXAGON	2	
5	92990-05100-00	WASHER, SPRING	2	
6	90201-05036-00	WASHER, PLATE	2	
7	90446-09065-00	HOSE	1	
8	90467-09005-00	CLIP, SCISSOR	3	
9	90467-09026-00	CLIP	1	
10	J10-13410-00-00	STRAINER HSNG ASSEMBLY .	1	
11	90446-09059-00	HOSE	2	

Property of www.SmallEngineDiscount.com - Not for Resale

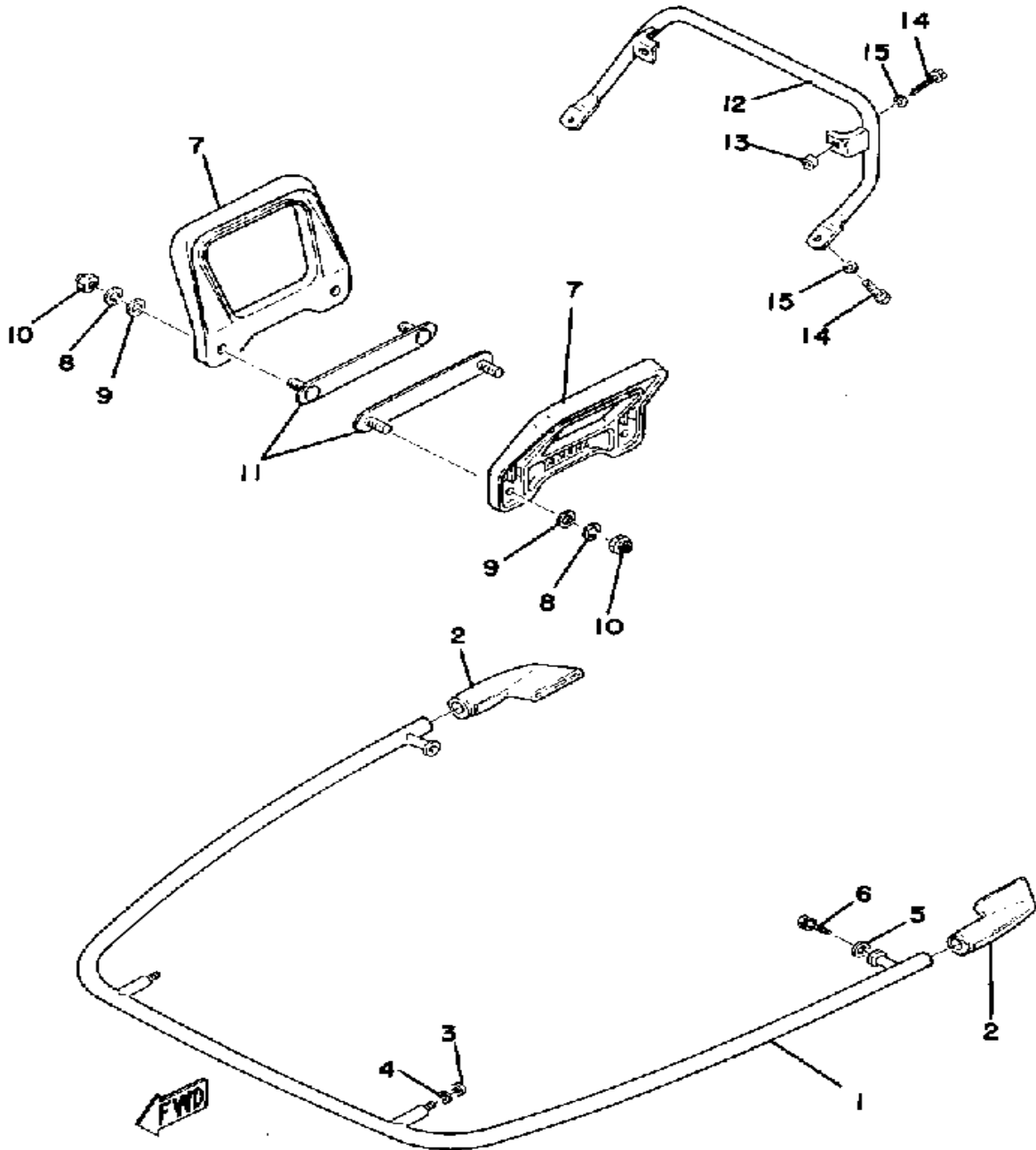
SEAT



Ref. No.	Part Number	Description	Qty	Remarks
1	8E4-24730-00-00	DOUBLE SEAT ASSEMBLY (8A1-24730-00)	1	
2	(8E4-24731-00-00)	COVER, DOUBLE SEAT	1	
3	95712-08300-00	NUT, LOCK	2	
4	92901-08600-00	WASHER	2	
5	90159-06015-00	SCREW, WITH WASHER	2	
6	90201-06059-00	WASHER, PLATE	2	
7	821-77352-00-00	EMBLEM 2	2	
8	(8A1-28100-10-00)	TOOL KIT	1	

Property of www.SmallEngineDiscount.com - Not for Resale

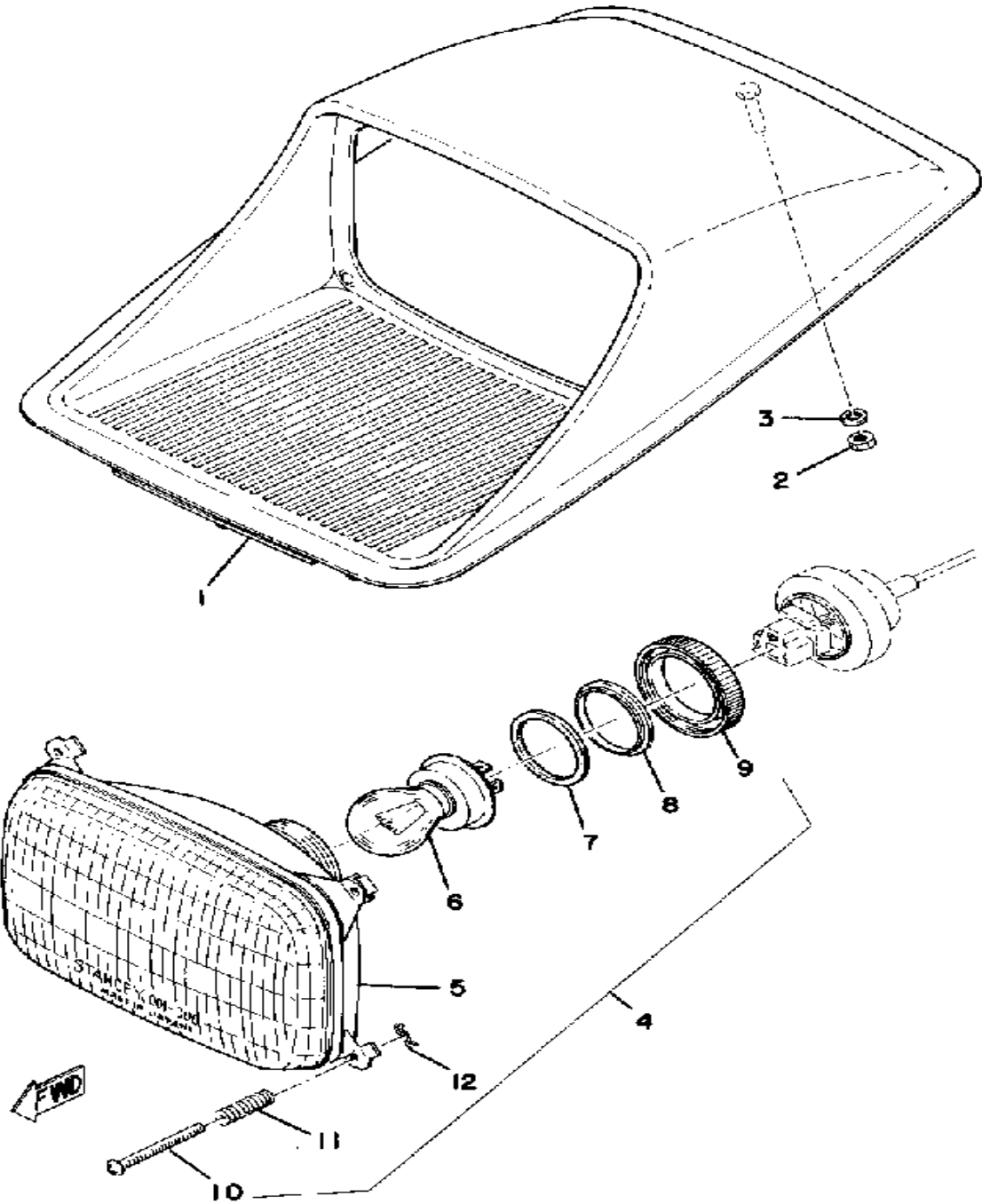
BUMPER



Ref. No.	Part Number	Description	Qty	Remarks
1	841-77510-00-00	FRONT BUMPER	1	
2	838-77523-00-00	END, BUMPER	2	
3	95333-08600-00	NUT	2	
4	92990-08100-00	WASHER	2	
5	(90201-08456-00)	WASHER, PLATE	2	
6	97306-08040-00	BOLT, HEXAGON	2	
7	FJ0-63771-30-00	GRIP, ASSIST	2	
8	92990-08100-00	WASHER	4	
9	90201-08107-00	WASHER, PLATE	4	
10	95303-08800-00	NUT (CROWN) (95301-08800) .	4	
11	898-77576-00-00	BRKT, ASSIST GRIP	2	
12	(8A1-77541-00-00)	BUMPER, REAR 1	1	
13	90387-06022-00	COLLAR	2	
14	97001-06018-00	BOLT	4	
15	92995-06100-00	WASHER, SPRING	4	

Property of www.SmallEngineDiscount.com - Not for Resale

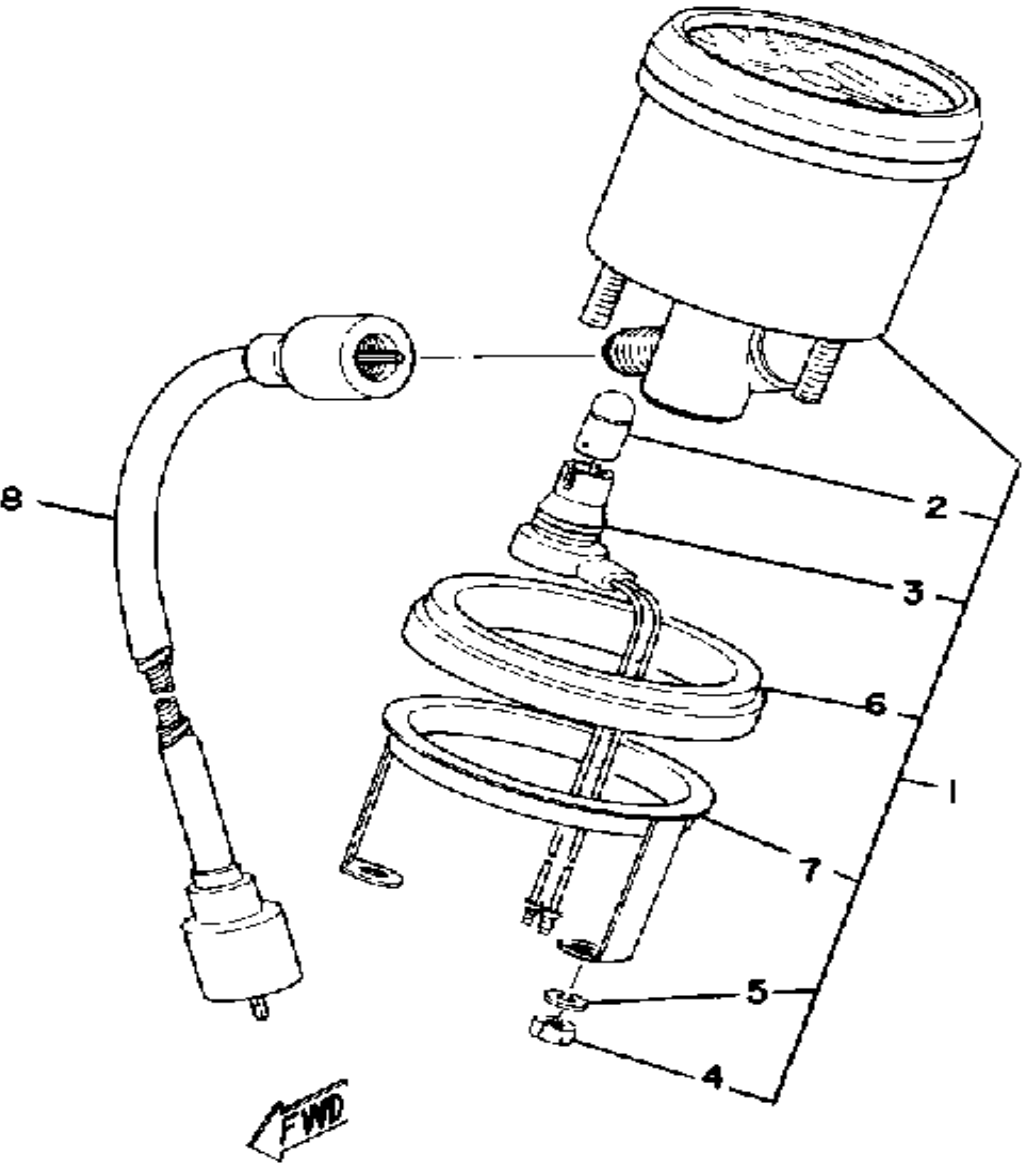
HEAD LAMP



Ref. No.	Part Number	Description	Qty	Remarks
1	8A1-84311-00-00	BODY, HEADLIGHT	1	
2	95306-05600-00	NUT	1	
3	92906-05100-00	WASHER, SPRING	1	
4	(838-84320-01-00)	LENS ASSEMBLY	1	
5	(838-84320-01-00)	LENS ASSEMBLY	1	
6	838-84314-00-00	. BULB, HEADLIGHT	1	
7	838-84327-00-00	. WASHER, SPECIAL	1	
8	838-84328-00-00	. SPACER	1	
9	838-84317-00-00	. NUT	1	
10	8M6-84331-00-00	. SCREW, RIM ADJUSTING (8A5-84331-00-00)	4	
11	8A5-84332-00-00	. SPRING, SCREW	4	
12	(807-84351-00-00)	CLAMP, CORD	4	

Property of www.SmallEngineDiscount.com - Not for Resale

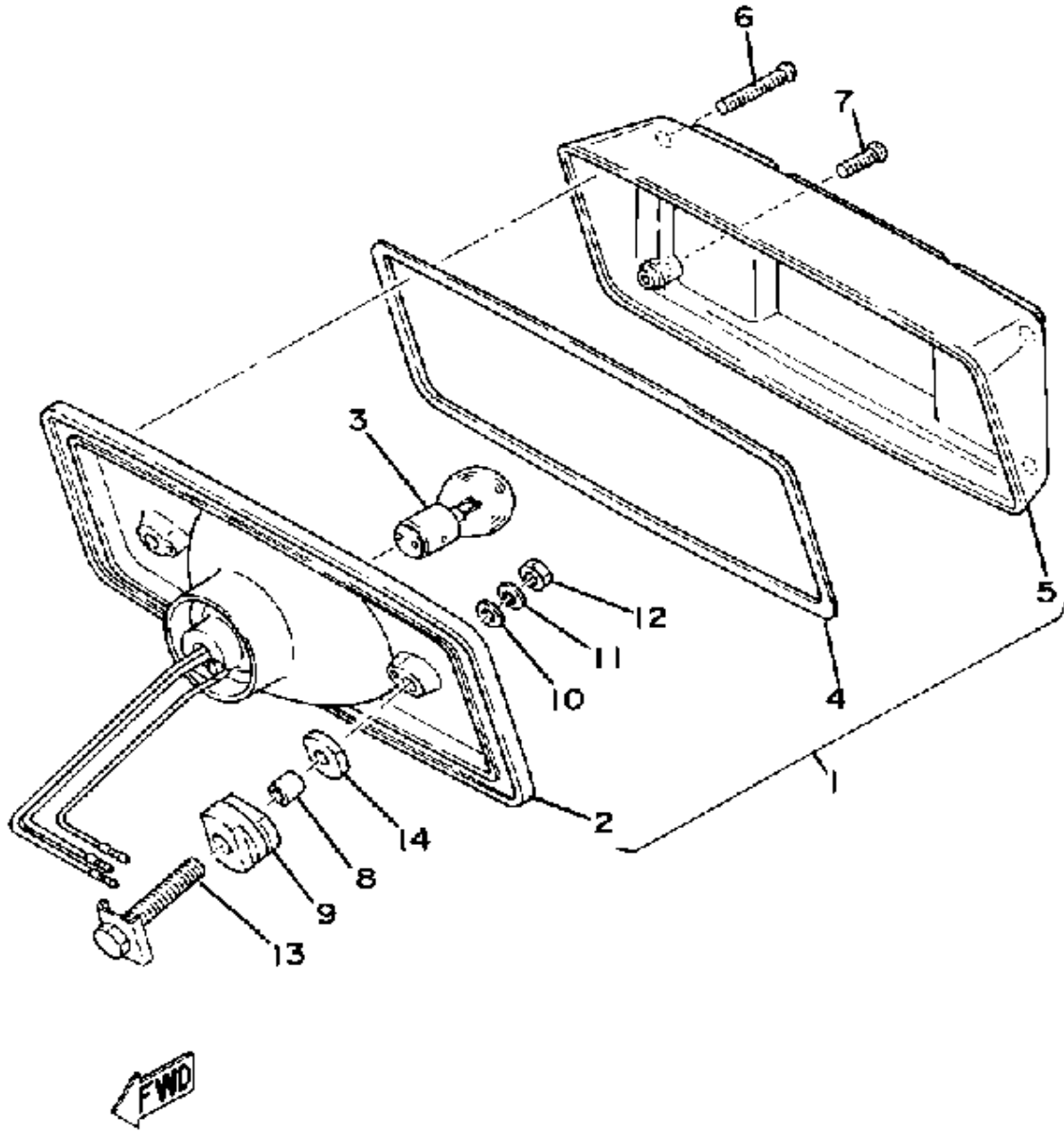
SPEEDOMETER



Ref. No.	Part Number	Description	Qty	Remarks
1	861-83510-41-00	SPEEDOMETER ASSEMBLY ..	1	MPH
2	123-83516-21-00	. BULB (12V-3.4W)	1	
3	(861-83536-40-00)	SOCKET, METER	1	
4	95380-05600-00	. NUT	2	
5	92990-05100-00	. WASHER, SPRING	2	
6	861-83523-40-00	. DAMPER	1	
7	861-83514-40-00	. PLATE, FITTING	1	
8	8A1-83550-01-00	SPEEDOMETER CABLE (8A1-83550-00)	1	

Property of www.SmallEngineDiscount.com - Not for Resale

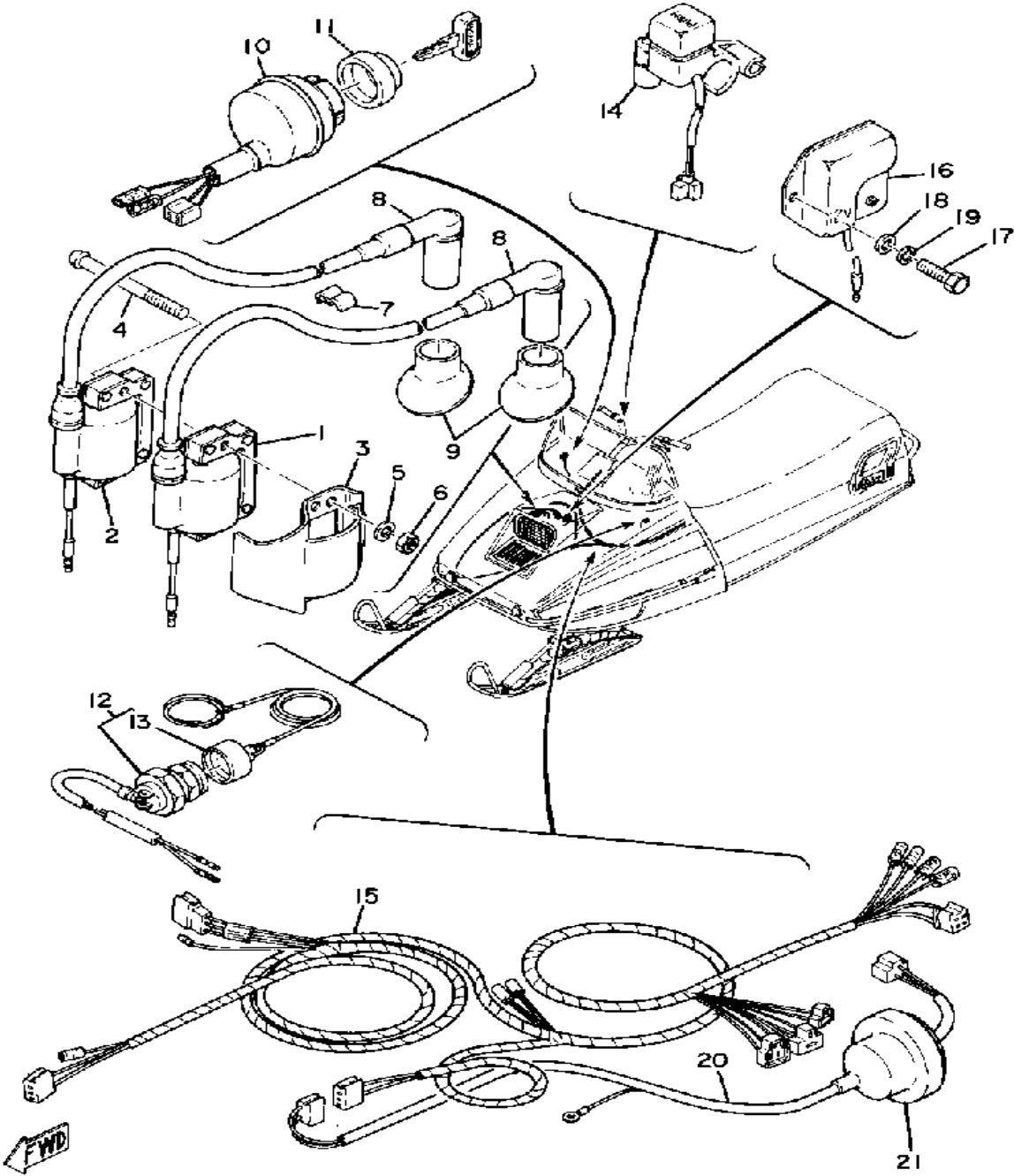
TAIL LAMP



Ref. No.	Part Number	Description	Qty	Remarks
1	8A1-84710-00-00	TAILLIGHT UNIT ASSEMBLY ..	1	
2	8A1-84710-00-00	. TAILLIGHT UNIT ASSEMBLY .	1	
3	137-84714-61-00	. BULB, TL 12V23/8W (J50-83311-00)	1	
4	821-84712-00-00	. SEAT, BASE	1	
5	821-84721-00-00	. LENS, TAILLIGHT	1	
6	98511-04030-00	. SCREW, PAN HEAD	2	
7	98503-04014-00	. SCREW, PAN HEAD	2	
8	90387-074W0-00	COLLAR	2	
9	90480-10187-00	GROMMET	2	
10	92901-06600-00	WASHER	2	
11	92995-06100-00	WASHER, SPRING	2	
12	95380-06600-00	NUT	2	
13	90109-06428-00	BOLT	2	
14	90179-06209-00	NUT, SPEC'L SHAPE	2	

Property of www.SmallEngineDiscount.com - Not for Resale

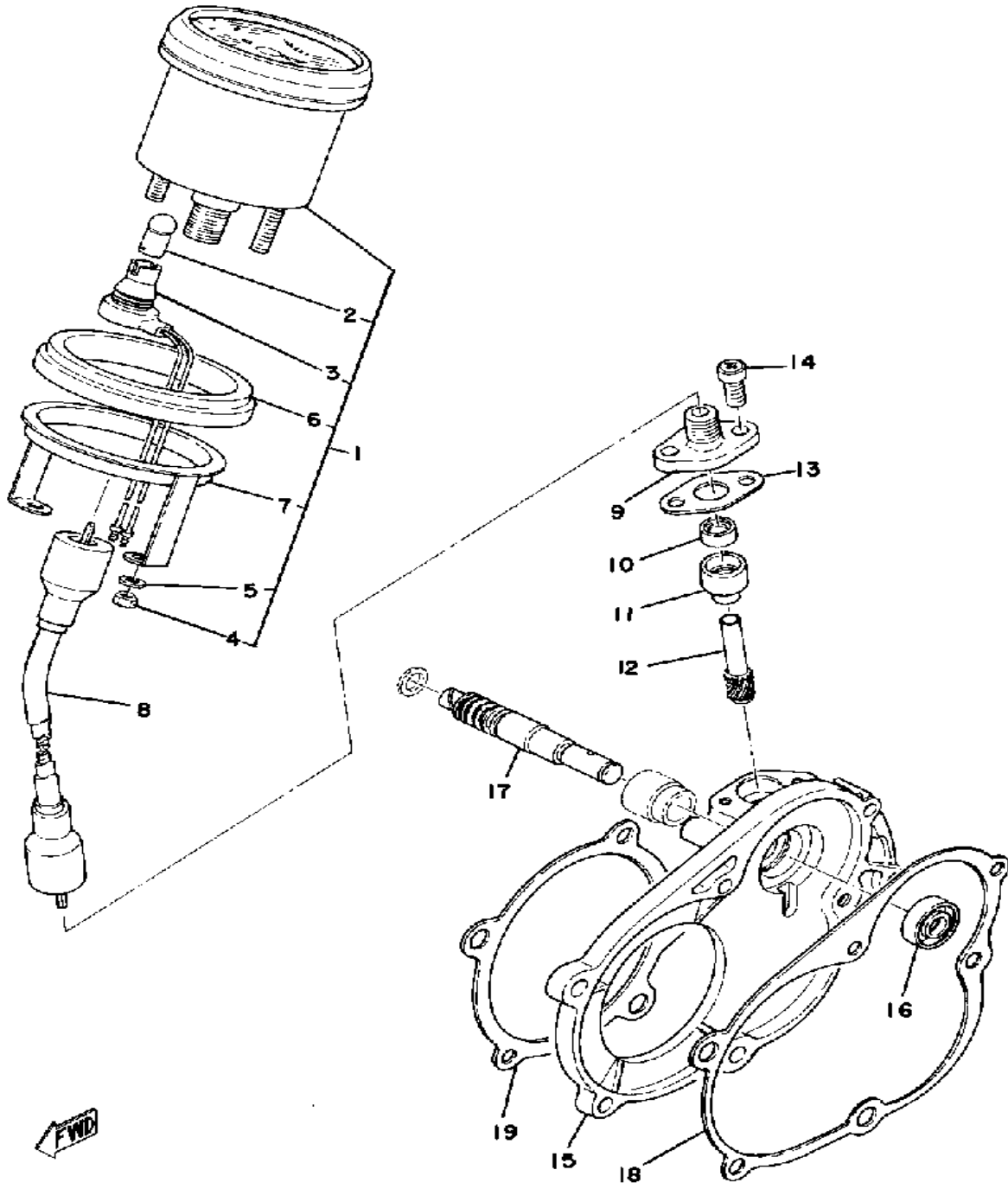
ELECTRICAL



Ref. No.	Part Number	Description	Qty	Remarks
1	838-82310-40-00	IGNITION COIL ASSEMBLY ...	1	
2	(839-82310-40-00)	IGNITION COIL ASSEMBLY ...	1	
3	(838-82314-00-00)	COVER, IGNITN COIL	1	
4	98506-06070-00	SCREW, PAN HEAD	2	
5	92906-06100-00	WASHER, SPRING	2	
6	95316-06600-00	NUT	2	
7	861-82361-00-00	CLAMP, CORD	1	
8	8A5-82370-20-00	PLUG CAP ASSEMBLY	2	
9	(8A1-82372-00-00)	SEAL, PLUG CAP	2	
10	898-82508-20-00	MAIN SWITCH ASSEMBLY ...	1	
11	806-82516-00-00	COLLAR, MAIN SWITCH	1	
12	8J7-82550-01-00	STOP SWITCH ASSEMBLY ...	1	
13	8H8-82552-09-00	. CAP, SWITCH	1	
14	8E3-83976-01-00	SWITCH, HANDLE 1	1	
15	(8E4-82590-20-00)	WIRE HARNESS ASSEMBLY ..	1	
16	82F-81910-A0-00	VOLTAGE REGULATOR ASSEMBLY	1	
17	97013-06012-00	BOLT	2	
18	92901-06600-00	WASHER	2	
19	92995-06100-00	WASHER, SPRING	2	
20	8E4-84359-00-00	CORD, HEADLIGHT (865-84359-00)	1	
21	(838-82599-00-00)	COVER, CONNECTER	1	

Property of www.SmallEngineDiscount.com - Not for Resale

TACHOMETER UNIT



Ref. No.	Part Number	Description	Qty	Remarks
1	(ACC-01200-43-74)	TACH-TW433F	1	
2	123-83516-21-00	. BULB (12V-3.4W)	1	
3	(861-83536-40-00)	SOCKET, METER	1	
4	95380-05600-00	. NUT	2	
5	92990-05100-00	. WASHER, SPRING	2	
6	861-83523-40-00	. DAMPER	1	
7	863-83514-40-00	. PLATE, FITTING	1	
8	839-83560-00-00	TACHOMETER CABLE	1	
9	821-17819-00-00	CAP, HOUSING	1	
10	93104-06033-00	OIL SEAL	1	
11	821-17843-00-00	BUSH, DRIVEN GEAR OUTER .	1	
12	813-17841-00-00	GEAR, DRIVEN (10T)	1	
13	821-17818-02-00	GASKET	1	
14	98580-05010-00	SCREW, PAN HEAD	2	
15	(8E3-15416-00-00)	COVER, OIL PUMP	1	
16	93101-10090-00	OIL SEAL	1	
17	866-13175-00-00	SHAFT, WORM	1	
18	859-15466-00-00	GASKET 2	1	
19	838-15456-00-00	GASKET, O/PMP CVR 1	1	

Property of www.SmallEngineDiscount.com - Not for Resale

GP440A

1977 SERVICE DATA

SNOWMOBILE
S6-008

MODEL – IBM I.D. NUMBER	GP440A	8E4
Starting Engine and Frame Number	S433-038101	8E4-038101
ENGINE (type) (induction system)	2-stroke, 7-port, Twin, Forced Air-cooled, Reed valve	
Bore x Stroke x Cylinders Displacement	68 x 59.6mm x 2	433cc
Compression Ratio/Compression Pressure	6.7:1	N/A
Piston Skirt Clearance (new/max)	.045 ~ .050mm(.0018 ~ .0020") / 0.1mm(.004")	
Ring End Gap (top/2nd)	0.35 ~ 0.55mm(.014 ~ .022") / ϕ	
Ring Groove Clearance (top/2nd)	.03 ~ .07mm(.0012 ~ .0028") / ϕ	
CARBURETOR (mfr) (type) (I.D. number)	Keihin CDX42-38	8E400
Quantity/Venturi size (measured) (effective)	1 / 42mm / 38mm	
Fuel Inlet Valve (size)/Fuel Level	1.8mm / 5 ± 3.5mm	
Slow Speed Screw Setting (turns out)	1.0	
Main Jet/Partial Jet/Slow Jet	No. 190 / No. 95 / No. 48	
Idle Speed	1,500 rpm	
AUTOLUBE – Pump Color/Control Rod Adj.	White	Full throttle
Pump Plunger Stroke (min) (max)	0.20~0.25mm(.008 ~ .010")/1.65~1.87mm(.065 ~ .074")	
Output @ 200 strokes (full throttle/idle)	7.84 ~ 8.89cc / 0.95 ~ 1.19cc	
DRIVE (type)	V-Belt	Automatic
Primary Sheave Engagement RPM	3,100 ~ 3,300 rpm	
Belt Length/Width/Wear Limit/IBM number	1,099mm(43.27")31.5mm(1.24")/26mm(1.02")8A1	
Primary Ratio(s)	3.5:1 ~ 1:1	
Sheave Center to Center/Offset	270 ± 2 mm (10.63 ± .079") / 6 ± 0.5 mm (0.23 ± .02")	
Primary Spring Color/Length/Rate	Red-Yellow / 84.4mm (3.32") / 1.75kg/mm	
Secondary Spring Pre-load/Part Number /Color	240° (2 notches) / 90508 - 38144-00 / Yellow	
Secondary Drive Ratio/Chain Pitch-type/Freeplay	23/14 / No. 40 - Duplex / 10mm	
Track (width)/Tension	15" / 25mm (1") deflection w/22 lbs. pull	
SLIDE SUSPENSION – Stopper Band/Rear Spring	No adjustment	Center Position Standard
CAPACITIES – Chain Case (quantity) (type)	430cc (14.5 oz.)	SAE 10W/30 Oil
Fuel Tank (quantity) (grade)	4.6 gals.	Regular Gasoline
Autolube Tank (quantity) (type)	1.6 qts.	Yamalube 2-stroke
Torque Convertor (quantity) (type)	ϕ	
ELECTRICAL – Charging System (mfr) (type)	Mitsubishi	Flywheel Magneto
Lighting Output at Full Load	12V	100W
Headlight/Taillight/Instrument Ratings	12V60W/60W / 12V8W/23W / 12V3.4W	
Lighting Coil Resistance	(Yellow)	0.18 Ω ± 15%
Stoplight Coil Resistance	(Green)	0.54 Ω ± 15%
Ignition Source Coil Resistance (charge coil)	1.84 Ω ± 15%	
Pulser Coil Resistance	ϕ	
Coil Resistance (primary) (secondary)	0.94 Ω ± 10%	5.6 K Ω ± 20%
Breaker Point Gap / Condenser Capacity	0.35 ± 0.5mm / 0.25 μ F ± 20%	
Spark Plug Type/Heat Range/Gap	NGK BR-8EV	0.4mm
Timing (B.T.D.C.)*	1.6 ± 0.1mm	B.T.D.C.

N/A = Information Not Available
 ϕ = Does Not Apply To This Model

*After setting statically, check with timing light.

F-20

GP440A

1977 SERVICE DATA

SNOWMOBILE
S6-008

MODEL – IBM I.D. NUMBER	GP440A	8E4
Starting Engine and Frame Number	S433-038101	8E4-038101
ENGINE (type) (induction system)	2-stroke, 7-port, Twin, Forced Air-cooled, Reed valve	
Bore x Stroke x Cylinders Displacement	68 x 59.6mm x 2	433cc
Compression Ratio/Compression Pressure	6.7:1	N/A
Piston Skirt Clearance (new/max)	.045 ~ .050mm(.0018 ~ .0020") / 0.1mm(.004")	
Ring End Gap (top/2nd)	0.35 ~ 0.55mm(.014 ~ .022") / ϕ	
Ring Groove Clearance (top/2nd)	.03 ~ .07mm(.0012 ~ .0028") / ϕ	
CARBURETOR (mfr) (type) (I.D. number)	Keihin CDX42-38	8E400
Quantity/Venturi size (measured) (effective)	1 / 42mm / 38mm	
Fuel Inlet Valve (size)/Fuel Level	1.8mm / 5 ± 3.5mm	
Slow Speed Screw Setting (turns out)	1.0	
Main Jet/Partial Jet/Slow Jet	No. 190 / No. 95 / No. 48	
Idle Speed	1,500 rpm	
AUTOLUBE – Pump Color/Control Rod Adj.	White	Full throttle
Pump Plunger Stroke (min) (max)	0.20~0.25mm(.008 ~ .010")/1.65~1.87mm(.065 ~ .074")	
Output @ 200 strokes (full throttle/idle)	7.84 ~ 8.89cc / 0.95 ~ 1.19cc	
DRIVE (type)	V-Belt	Automatic
Primary Sheave Engagement RPM	3,100 ~ 3,300 rpm	
Belt Length/Width/Wear Limit/IBM number	1,099mm(43.27")31.5mm(1.24")/26mm(1.02")8A1	
Primary Ratio(s)	3.5:1 ~ 1:1	
Sheave Center to Center/Offset	270 ± 2 mm (10.63 ± .079") / 6 ± 0.5 mm (0.23 ± .02")	
Primary Spring Color/Length/Rate	Red-Yellow / 84.4mm (3.32") / 1.75kg/mm	
Secondary Spring Pre-load/Part Number /Color	240° (2 notches) / 90508 - 38144-00 / Yellow	
Secondary Drive Ratio/Chain Pitch-type/Freeplay	23/14 / No. 40 - Duplex / 10mm	
Track (width)/Tension	15" / 25mm (1") deflection w/22 lbs. pull	
SLIDE SUSPENSION – Stopper Band/Rear Spring	No adjustment	Center Position Standard
CAPACITIES – Chain Case (quantity) (type)	430cc (14.5 oz.)	SAE 10W/30 Oil
Fuel Tank (quantity) (grade)	4.6 gals.	Regular Gasoline
Autolube Tank (quantity) (type)	1.6 qts.	Yamalube 2-stroke
Torque Convertor (quantity) (type)	ϕ	
ELECTRICAL – Charging System (mfr) (type)	Mitsubishi	Flywheel Magneto
Lighting Output at Full Load	12V	100W
Headlight/Taillight/Instrument Ratings	12V60W/60W / 12V8W/23W / 12V3.4W	
Lighting Coil Resistance	(Yellow)	0.18 Ω ± 15%
Stoplight Coil Resistance	(Green)	0.54 Ω ± 15%
Ignition Source Coil Resistance (charge coil)	1.84 Ω ± 15%	
Pulser Coil Resistance	ϕ	
Coil Resistance (primary) (secondary)	0.94 Ω ± 10%	5.6 K Ω ± 20%
Breaker Point Gap / Condenser Capacity	0.35 ± 0.5mm / 0.25 μ F ± 20%	
Spark Plug Type/Heat Range/Gap	NGK BR-8EV	0.4mm
Timing (B.T.D.C.)*	1.6 ± 0.1mm	B.T.D.C.

N/A = Information Not Available
 ϕ = Does Not Apply To This Model

*After setting statically, check with timing light.

Property of www.SmallEngineDiscount.com - Not for Resale